

FUSELAGE
FRONT FUSELAGE

Part Number	Description	No. Off	Mati. Spec.	Plate No.
EG7.00.41	NOSE FUSELAGE, ASSEMBLY (Pre Mod.5348)	-	-	1/10
EG7.00.10041	NOSE FUSELAGE, ASSEMBLY (Spares condition nose fuselage based on EG7.00.41 to LTF standard) (Mod.5348)	1	-	
	ALTERATIONS TO FRONT FUSELAGE (EG7.00.5031) (Mod.5466)	-	-	REF
	Spares for:-			
EG7.75.333	. AIR VENTILATED SUIT SYSTEM (See page NE1)	-	-	1/11
-	. BAG, ARMING KEY STOWAGE, INSTALLATION (EG7.84.1287)	-	-	1/9
	Spares for:-			
EG7.84.1285	. . BAG, ARMING KEY STOWAGE, ASSEMBLY	1	-	1/16
	Spares for:-			
NEWAY 514-101	. . . FASTENER, snap	2	-	1/15
	Attaching parts for EG7.84.1285:-			
AS1248/1C	. . Bolt, 2BA mushroom head	4	-	1/12
EG7.75.3	. CABIN PRESSURE SYSTEM IN FRONT FUSELAGE (See page NF1)	-	-	
EG7.74.1	. COLD AIR TO PILOT, ASSEMBLY (See page NK1)	-	-	
-	. COMPASS, G4B, INSTALLATION (EG7.80.301)	-	-	1/4
	Consisting of:-			
EA3.80.1327	. . . PANEL, CONTROL, G4B, INSTALLATION	1	-	1/2
	Spares for:-			
6B/408 PANEL, control, type A	1	-	1/3
	Attaching parts for 6B/408:-			
A32/C16 Screw, 2BA round head	4	-	1/1
EG7.45.3	. CONTROL, FLYING, IN COCKPIT, ASSEMBLY (See page DH1)	-	-	
EG7.47.41	. CONTROLS, ENGINE, IN NOSE FUSELAGE, ASSEMBLY (See page DB1)	-	-	
EG7.76.1	. DE-MISTING, SYSTEM (See page NL1)	-	-	
EG7.81.5	. ELECTRICAL EQUIPMENT IN FRONT FUSELAGE (See page EA1)	-	-	
EG7.80.7	. EQUIPMENT IN PRESSURE CABIN (See page F1)	-	-	
EG7.73.37	. HYDRAULIC EQUIPMENT IN FRONT FUSELAGE (See page NAB1)	-	-	

R

FUSELAGE
FRONT FUSELAGE

Part Number	Description	No. Off	Mati. Spec.	Plate No.					
				1	2	3	4	5	6
R EG7.17.1	. INSULATION IN PRESSURE CABIN (Pre Mod 5466)	-	-						
R -	. INSULATION IN PRESSURE CABIN (EG7.17.5001) (Mod 5466) Spares for:-	-	-						
EG7.17.103	. . BLANKET	1	-						31/1
EG7.17.269	. . BLANKET	1	-						31/2
EG7.17.215	. . BLANKET	1	-						31/3
EG7.17.213	. . BLANKET	1	-						31/4
EG7.17.263	. . BLANKET	1	-						31/5
EG7.17.261	. . BLANKET	1	-						31/6
EG7.17.259	. . BLANKET	1	-						31/7
EG7.17.257	. . BLANKET	1	-						31/8
EG7.17.255	. . BLANKET	1	-						31/9
EG7.17.253	. . BLANKET	1	-						31/10
EG7.17.115	. . BLANKET	1	-						31/11
EG7.17.117	. . BLANKET	1	-						31/12
EG7.17.119	. . BLANKET	1	-						31/13
EG7.17.121	. . BLANKET	1	-						31/14
EG7.17.123	. . BLANKET	1	-						31/15
EG7.17.125	. . BLANKET	1	-						31/16
EG7.17.219	. . BLANKET	1	-						31/17
R EG7.17.239	. . BLANKET (Pre Mod 5466)	1	-						31/18
R EG7.17.137	. . BLANKET (Pre Mod 5466)	1	-						31/19
EG7.17.139	. . BLANKET	1	-						31/20
EG7.17.185	. . BLANKET	1	-						31/21
EG7.17.141	. . BLANKET	1	-						31/22
EG7.17.221	. . BLANKET	1	-						31/23
EG7.17.247	. . BLANKET	1	-						31/24
EG7.17.143	. . BLANKET	1	-						31/25
EG7.17.245	. . BLANKET	1	-						31/26
EG7.17.145	. . BLANKET	1	-						31/27
EG7.17.187	. . BLANKET	1	-						31/28
EG7.17.189	. . BLANKET	1	-						31/29
EG7.17.183	. . BLANKET	1	-						31/30
EG7.17.241	. . BLANKET	1	-						31/31
R EG7.17.147	. . BLANKET (Pre Mod 5466)	1	-						31/32
R EG7.17.5007	. . BLANKET (Mod 5466)	1	-						34/1
R EG7.17.243	. . BLANKET (Pre Mod 5466)	1	-						31/33
R EG7.17.5031	. . BLANKET (Mod 5466)	1	-						34/2
R EG7.17.163	. . BLANKET (Pre Mod 5466)	1	-						31/34
R EG7.17.165	. . BLANKET (Pre Mod 5466)	1	-						31/35
R EG7.17.181	. . BLANKET (Pre Mod 5466)	1	-						31/36
R EG7.17.5023	. . BLANKET (Mod 5466)	1	-						34/3
R EG7.17.179	. . BLANKET (Pre Mod 5466)	1	-						31/37
R EG7.17.177	. . BLANKET (Pre Mod 5466)	1	-						31/38
EG7.17.171	. . BLANKET	1	-						31/39
EG7.17.227	. . BLANKET	1	-						31/40
EG7.17.229	. . BLANKET	1	-						31/41
EG7.17.231	. . BLANKET	1	-						31/42
EG7.17.233	. . BLANKET	1	-						31/43
EG7.17.235	. . BLANKET	1	-						31/44
EG7.17.237	. . BLANKET	1	-						31/45
R EG7.17.5003	. . BLANKET (Mod 5466)	1	-						34/4
R EG7.17.5013	. . BLANKET (Mod 5466)	1	-						34/5
R EG7.17.5015	. . BLANKET (Mod 5466)	1	-						34/6
R EG7.17.5019	. . BLANKET (Mod 5466)	1	-						34/7
R EG7.17.5025	. . BLANKET (Mod 5466)	1	-						34/8
R EG7.17.5021	. . BLANKET (Mod 5466)	1	-						34/9
R EG7.17.5029	. . BLANKET (Mod 5466)	1	-						34/10
R EG7.17.249	. . BLANKET (Mod 5466)	1	-						34/11
R EG7.17.251	. . BLANKET (Mod 5466)	1	-						34/12

FUSELAGE

FRONT FUSELAGE

Part Number	1 2 3 4 5 6	Description	No. Off	Matl. Spec.	Plate No.
EG7.17.105	. . .	BLANKET	1	-	32/1
EG7.17.107	. . .	BLANKET	1	-	32/2
EG7.17.265	. . .	BLANKET	1	-	32/3
EG7.17.109	. . .	BLANKET	1	-	32/4
EG7.17.113	. . .	BLANKET	1	-	32/5
EG7.17.127	. . .	BLANKET	1	-	32/6
EG7.17.129	. . .	BLANKET	1	-	32/7
EG7.17.131	. . .	BLANKET	1	-	32/8
EG7.17.133	. . .	BLANKET	1	-	32/9
EG7.17.135	. . .	BLANKET	1	-	32/10
EG7.17.217	. . .	BLANKET	1	-	32/11
EG7.17.149	. . .	BLANKET (Pre Mod 5466)	1	-	32/12
EG7.17.5009	. . .	BLANKET (Mod 5466)	1	-	34/13
EG7.17.151	. . .	BLANKET	1	-	32/13
EG7.17.225	. . .	BLANKET	1	-	32/14
EG7.17.223	. . .	BLANKET	1	-	32/15
EG7.17.153	. . .	BLANKET	1	-	32/16
EG7.17.155	. . .	BLANKET	1	-	32/17
EG7.17.157	. . .	BLANKET	1	-	32/18
EG7.17.159	. . .	BLANKET	1	-	32/19
EG7.17.161	. . .	BLANKET	1	-	32/20
EG7.17.167	. . .	BLANKET	1	-	32/21
EG7.17.169	. . .	BLANKET	1	-	32/22
EG7.17.251	. . .	BLANKET	1	-	32/23
EG7.17.249	. . .	BLANKET	1	-	32/24
EG7.17.175	. . .	BLANKET	1	-	32/25
EG7.17.173	. . .	BLANKET	1	-	32/26
EG7.17.191	. . .	BLANKET	1	-	32/27
EA1.17.35	. . .	BRACKET, angle	450	-	32/28
EA1.17.39	. . .	CLIP	750	-	32/29
EG7.17.101	. . .	INSULATION, FLOOR AND ENTRANCE DOOR Spares for:-	-	-	
EG7.17.199	. . .	MAT, rubber	1	-	33/1
EG7.17.201	. . .	MAT, rubber	1	-	33/2
EG7.17.203	. . .	MAT, rubber	1	-	33/3
EG7.17.205	. . .	MAT, rubber	1	-	33/4
EG7.17.207	. . .	MAT, rubber	1	-	33/5
EG7.17.209	. . .	MAT, rubber	1	-	33/6
EG7.17.211	. . .	MAT, rubber	1	-	33/7
EG7.17.193	. . .	PAD, insulation	1	-	33/8
EG7.17.195	. . .	PAD, insulation	1	-	33/9
EG7.17.197	. . .	PAD, insulation	1	-	33/10
EB7.17.37	. . .	PAD, insulation	1	-	33/11
EB7.17.35	. . .	PAD, insulation (Pre Mod 5513)	1	-	33/12

R
R

FUSELAGE
FRONT FUSELAGE

Part Number	1 2 3 4 5 6	Description	No. Off	Matl. Spec.	Plate No.
EA3.17.5227		INSULATION, NAVIGATOR'S ESCAPE HATCH Spares for:—	—	—	
EA3.17.5229		BLANKET	1	—	33/13
EA3.17.5231		BLANKET	1	—	33/14
EA3.17.5233		BLANKET	1	—	33/15
EA3.17.5235		BLANKET	1	—	33/16
EA3.17.5237		BLANKET	1	—	33/17
EA3.17.5239		BLANKET	1	—	33/18
EG7.17.273		BLANKET	2	—	33/19
EG7.17.275		BLANKET	1	—	33/20
EG7.17.277		BLANKET	1	—	33/21
EG7.17.279		BLANKET	1	—	33/22
EA1.17.35		BRACKET, angle	12	—	33/23
EA1.17.39		CLIP	78	—	33/24
EA1.17.37		SPRING	59	—	33/25
EA1.17.37		SPRING	600	—	32/30

R

FUSELAGE
FRONT FUSELAGE

Part Number	Description 1 2 3 4 5 6	No. Off	Matl. Spec.	Plate No.

FUSELAGE

FRONT FUSELAGE

Part Number	Description	No. Off	Mati. Spec.	Plate No.	
					1
R EG7.79.43	NITROGEN PRESSURISING OF WAVE GUIDES AND CO-AX CABLES IN FRONT FUSELAGE (See page NAG1)	-	-		
R EA9.40.1	NOSE UNDERCARRIAGE ASSEMBLY (See page RB1)	-	-		
R EG7.71.1	OXYGEN DEMAND SYSTEM (See page NAJ1)	-	-		
EG7.80.10021	PITOT AND STATIC PIPES (Mod 4865 Part B) (See page NAL1)	-	-		
-	PLATE, COVER, INSTALLATION (EG7.10.1389) Spares for:—	-	-	1/5	
EG7.10.1391	PLATE, inner cover Attaching parts for EG7.10.1391:	1	L72	1/6	
AS1248/1/2C	Bolt, 2BA mushroom head	15	-	1/14	
-	PLATE, FORWARD COVER, INSTALLATION (EG7.10.1491) Spares for:	-	-	1/7	
EG7.10.1483	PLATE, forward cover Attaching parts for EG7.10.1483:	1	L72	1/8	
AS1248/1/2C	Bolt, 2BA mushroom head	6	-	1/13	
-	RELEASE, UNDERCARRIAGE EMERGENCY, IN FRONT FUSELAGE, ASSEMBLY (EG7.45.15) Spares for:	-	-	2/12	
EG7.45.17	CABLE, UNDERCARRIAGE FORWARD, ASSEMBLY Consisting of:	1	-	2/29	
EG7.45.19	BARREL, pressure seal	1	-	2/38	
A25/14B	BOLT, 4BA hex head	1	-	2/28	
AGS2030/14	CIRCLIP, internal	1	-	2/35	
AGS2002/B/1	NUT, stiff, 4BA	1	-	2/40	
SP8Y/13	ROLLER	2	-	2/41	
EA1.45.889	WASHER, felt	7	DTD590	2/37	
EG7.45.21	WASHER, retaining	1	LFS21	2/36	
SP15/B	WASHER, 4BA plain	1	-	2/39	
6W2/2	WIRE, 5 cwt flexible steel, 185".0 long	1	-	2/26	
EA1.45.881	FAIRLEAD, frames 5 to 11 Attaching parts for EA1.45.881:	7	LFS21	2/5	
A25/6C	Bolt, 2BA hex head	2	-	2/2	
AGS2002/C/1	Nut, stiff, 2BA	2	-	2/14	
EA1.45.883	FAIRLEAD, frames 3 and 4 Attaching parts for EA1.45.883:	2	LFS21	2/31	
A25/6C	Bolt, 2BA hex head	2	-	2/25	
AGS2002/C/1	Nut, stiff, 2BA	2	-	2/34	
EA1.45.1121	FAIRLEAD, frame 12A Attaching parts for EA1.45.1121:	1	LFS21	2/20	
AS1242/5/B	Bolt, 4BA c'sk head	2	-	2/19	
AGS2001/B/1	Nut, stiff, 4BA	2	-	2/32	
A33/B24	Screw, 4BA c'sk head	2	-	2/21	
SP15/B	Washer, 4BA plain	2	-	2/22	

FUSELAGE
FRONT FUSELAGE

Part Number	Description	No. Off	Mati. Spec.	Plate No.
-	. . . PULLEYS, AND HANDLE, AT FRAMES 1 AND 2, ASSEMBLY (EA1.45.815)	-	-	2/17
	Spares for:			
EA1.45.829	. . . BRACKET, pulley, upper, frame 2	1	L72	2/18
EA1.45.831	. . . BRACKET, pulley, lower, frame 2	1	L72	2/33
	Attaching parts for EA1.45.829 and EA1.45.831:			
A25/1C	. . . Bolt, 2BA hex. head	3	-	2/23
AGS2001/C/1	. . . Nut, stiff, 2BA	3	-	2/24
SP15/C	. . . Washer, 2BA plain	3	-	2/30
EA1.45.1041	. . . BRACKET, pulley, lower, frame 1	1	L72	2/13
EA2.45.201	. . . BRACKET, pulley, upper, frame 1	1	L72	2/11
	Attaching parts for EA1.45.1041 and EA2.45.201:			
A25/1C	. . . Bolt, 2BA hex. head	3	-	2/6
AGS2001/C/1	. . . Nut, stiff, 2BA	3	-	2/9
SP15/C	. . . Washer, 2BA plain	3	-	2/8
EA3.45.633	. . . HANDLE, operating, assembly (Mod.5220)	1	L72	2/10
	Attaching parts for EA3.45.633:			
A25/1C	. . . Bolt, 2BA hex. head	4	-	12/1
SP15/C	. . . Washer, 2BA plain	4	-	2/4
AS1151	. . . PULLEY, shrouded (Alternative to AS107)	2	-	2/7
	Attaching parts for AS1151:			
A25/8E	. . . Bolt, 1/4" BSF hex. head	1	-	2/3
AGS2001/E/1	. . . Nut, stiff, 1/4" BSF	1	-	2/15
SP16/E	. . . Washer, 1/4" BSF plain	1	-	2/16
R 5E/5253563	. . . WIRE, copper enamelled	QR	-	
EA2.45.415	. . . WASHER, wedge, at pressure bulkhead	2	-	2/27
EG7.10.1	. STRUCTURE, FRONT FUSELAGE (See page HA1)	-	-	

FUSELAGE
FRONT FUSELAGE

Part Number	Description 1 2 3 4 5 6	No. Off	Matl. Spec.	Plate No.

FUSELAGE
FRONT FUSELAGE STRUCTURE

Part Number	Description	No. Off	Mati. Spec.	Plate No.
-	FRONT FUSELAGE STRUCTURE, ASSEMBLY (EG7.10.1) (EA3.10.1)	-	-	3/43
-	ALTERATIONS TO FRONT FUSELAGE STRUCTURE (EG7.10.5101) (Mod.5466) Spares for:-	RF	-	-
-	ALTERATIONS TO NAVIGATOR'S HATCH LONGERONS AND FORWARD AND AFT MEMBERS (EA3.10.6387) (Alt.R60/88) (Mod.5101) Spares for:-	-	-	-
EA3.10.6417	. . . ANGLE, L.H.	1	-	27/1
EA3.10.6418	. . . ANGLE, R.H.	1	-	27/2
EA3.10.6419	. . . ANGLE, L.H.	1	-	27/3
EA3.10.6420	. . . ANGLE, R.H.	1	-	27/4
EA3.10.6421	. . . ANGLE, L.H.	1	-	27/5
EA3.10.6422	. . . ANGLE, R.H.	1	-	27/6
EA3.10.6427	. . . ANGLE, L.H.	3	-	27/7
EA3.10.6428	. . . ANGLE, R.H.	3	-	27/8
EA3.10.6429	. . . ANGLE, L.H.	1	-	27/9
EA3.10.6430	. . . ANGLE, R.H.	1	-	27/10
EA3.10.65	. . . ANGLE, L.H.	1	-	27/11
EA3.10.66	. . . ANGLE, R.H.	1	-	27/12
EA3.10.6395	. . . ARCH, forward member (Pre Mod.5348)	1	-	27/13
EA3.00.5737	. . . ARCH, forward member (Spares for EA3.10.6395) (Mod.5348)	1	-	-
EA3.10.6399	. . . ARCH, aft member (Pre Mod.5348)	1	-	27/14
EA3.00.5735	. . . ARCH, aft member (Spares for EA3.10.6399) (Mod.5348)	1	-	-
EA3.10.561	. . . ARM, steady	23	-	27/15
EA3.10.173	. . . CLEAT	2	-	27/16
EA3.10.171	. . . CLEAT	2	-	27/17
EA3.10.6415	. . . DIAPHRAGM, L.H.	1	-	27/18
EA3.10.6416	. . . DIAPHRAGM, R.H.	1	-	27/19
EA3.10.6501	. . . DIAPHRAGM, L.H.	1	-	27/20
EA3.10.6502	. . . DIAPHRAGM, R.H.	1	-	27/21
EA3.10.6503	. . . DIAPHRAGM, L.H.	1	-	27/22
EA3.10.6504	. . . DIAPHRAGM, R.H.	1	-	27/23
EA3.10.6505	. . . DOUBLING, L.H.	1	-	27/24
EA3.10.6506	. . . DOUBLING, R.H.	1	-	27/25
EA3.10.6389	. . . FRAME, bolt, navigator's hatch (Pre Mod.5348)	1	-	27/26
EA3.00.5783	. . . FRAME, bolt assembly (Spares for EA3.10.6389) (Mod.5348) Spares for:-	1	-	-
EA3.10.6391	. . . BLOCK, corner	2	-	27/27
EA3.10.6393	. . . BLOCK, corner	2	-	27/28
EA3.10.1981	. . . BLOCK	30	-	27/29
EA3.10.161	. . . FRAME, bolt, forward	1	-	27/30
EA3.10.163	. . . FRAME, bolt, aft	1	-	27/31
EA3.10.165	. . . FRAME, bolt, L.H.	1	-	27/32
EA3.10.166	. . . FRAME, bolt, R.H.	1	-	27/33
AGS2008/E/1	. . . NUT, anchor, 1/4" BSF, thin	68	-	27/34
EA1.10.1029	. . . Bolt, explosive	34	-	27/35
EA3.10.6407	. . . Bush	21	-	27/36
EA3.10.8511	. . . Bush	2	-	27/37
A27LT	. . . Nut, thin, 7/16" BSF	34	-	27/38
EA3.10.6411	. . . Tube, distance	2	-	27/39
EA3.10.6413	. . . Tube, distance	21	-	27/40
AGS2035L	. . . Washer, shakeproof, 7/16" BSF	34	-	27/38A

FUSELAGE
FRONT FUSELAGE STRUCTURE

Part Number	Description	No. Off	Mati. Spec.	Plate No.
EA3.10.6401	. . . FITTING, forward, L.H.	1	-	28/1
EA3.10.6403	. . . FITTING, aft, L.H.	1	-	28/2
	Attachments for EA3.10.6401 and EA3.10.6403:			
A59/7E	. . . Bolt, 1/4" BSF	3	-	28/3
A59/5E	. . . Bolt, 1/4" BSF	4	-	28/4
A59/3E	. . . Bolt, 1/4" BSF	4	-	28/5
A25/3C	. . . Bolt, 2BA	5	-	28/6
A27/CP	. . . Nut, 2BA plain	5	-	28/7
A27/EP	. . . Nut, 1/4" BSF plain	11	-	28/8
SP124/E	. . . Washer, thin	4	-	28/9
SP125/E	. . . Washer, thick	4	-	28/10
SP125/C	. . . Washer, thick	5	-	28/11
EA3.10.6402	. . . FITTING, forward, R.H.	1	-	28/12
EA3.10.6404	. . . FITTING, aft, R.H.	1	-	28/13
	Attachments for EA3.10.6402 and EA3.10.6404:			
A59/7E	. . . Bolt, 1/4" BSF	3	-	28/14
A59/5E	. . . Bolt, 1/4" BSF	4	-	28/15
A59/3E	. . . Bolt, 1/4" BSF	4	-	28/16
A25/3C	. . . Bolt, 2BA	5	-	28/17
A27/CP	. . . Nut, 2BA plain	5	-	28/18
A27/EP	. . . Nut, 1/4" BSF plain	11	-	28/19
SP124/E	. . . Washer, thin	4	-	28/20
SP125/E	. . . Washer, thick	4	-	28/21
SP125/C	. . . Washer, thick	5	-	28/22
EA3.10.6513	. . . GUSSET, L.H.	1	-	28/23
EA3.10.6514	. . . GUSSET, R.H.	1	-	28/24
EA3.10.6433	. . . LONGERON, escape hatch, L.H.	1	-	28/25
EA3.10.6435	. . . LONGERON, escape hatch, R.H.	1	-	28/26
EA3.10.45	. . . LONGERON, member, L.H.	1	-	28/27
EA3.10.46	. . . LONGERON, member, R.H.	1	-	28/28
EA3.10.6497	. . . PACKING	1	-	28/29
EA3.10.6499	. . . PACKING	1	-	28/30
EA3.10.6481	. . . PANEL, skin, L.H.	1	-	28/31
EA3.10.6482	. . . PANEL, skin, R.H.	1	-	28/32
EA3.10.515	. . . PANEL, skin	1	-	28/33
EA3.10.1097	. . . PANEL, skin	1	-	28/34
EA3.10.503	. . . PANEL, skin	1	-	28/35
EA3.10.1099	. . . PANEL, skin	1	-	28/36
EA3.10.519	. . . PANEL, skin	1	-	28/37
EA3.10.6431	. . . PLATE, tie	1	-	28/38
EA3.10.6432	. . . PLATE, tie	1	-	28/39
EA3.10.6515	. . . REINFORCING, L.H.	1	-	28/41
EA3.10.6516	. . . REINFORCING, R.H.	1	-	28/42
EA3.10.549	. . . SEAL, pressure	1	-	27/41
EA3.10.6489	. . . SHIM	2	-	28/44
EA3.10.6491	. . . SHIM	2	-	28/45
EA3.10.6493	. . . SHIM	2	-	28/46
EA3.10.6495	. . . SHIM	2	-	28/47
EA3.10.6397	. . . STIFFENER, hatch frame	1	-	28/48
EA3.10.6483	. . . STRAP, butt	2	-	28/49
EA3.10.6485	. . . STRAP, butt	2	-	28/50
EA3.10.6487	. . . STRAP, butt	2	-	28/51
EA3.10.471	. . . WEDGE, packing	10	-	28/52

FUSELAGE

FRONT FUSELAGE STRUCTURE

Part Number	Description	No. Off	Matl. Spec.	Plate No.	
					1
R	ALTERATIONS TO NAVIGATOR'S ESCAPE HATCH (EA3.10.6461) (Alt.R60/44, Mod.5101) Spares for:	-	-		
R	EA3.10.6475 . . . FILLER, countersunk	66	-		
R	EA3.10.6473 . . . STRAP, reinforcing	1	L73		
R	EA3.10.6471 . . . STRAP, reinforcing	1	L73		
R	EA3.10.6469 . . . STRAP, reinforcing	1	L73		
R	EA3.10.6467 . . . STRAP, reinforcing	1	L73		
R	EA3.10.6465 . . . STRAP, reinforcing	1	L73		
R	EA3.10.6463 . . . STRAP, reinforcing	1	L73		
	EA3.10.391 . . . ARM, steady, L.H., for escape hatch explosive bolt Attaching parts for EA3.10.391:	1	L72	3/3	
	A61/2C . . . Bolt, 2BA hex. head	2	-	3/8	
R	AGS2001/C/3 . . . Nut, stiff, 2BA	2	-	3/7	
	EA3.10.392 . . . ARM, steady, R.H., for escape hatch explosive bolt Attaching parts for EA3.10.392:	1	L72	3/5	
	A61/2C . . . Bolt, 2BA hex. head	2	-	3/8	
R	AGS2001/C/3 . . . Nut, stiff, 2BA	2	-	3/7	
	EA3.10.561 . . . ARM, steady, for escape hatch explosive bolt Attaching parts for EA3.10.561:	24	L72	3/9	
	A25/3C . . . Bolt, 2BA hex. head	2	-	3/10	
	A61/2C . . . Bolt, 2BA hex. head	2	-	3/12	
	A61/3C . . . Bolt, 2BA hex. head	2	-	3/14	
	A27/CP . . . Nut, 2BA plain	2	-	3/1	
R	AGS2001/C/3 . . . Nut, stiff, 2BA	2	-	3/16	
	EA3.10.2551 . . . ARM, steady, L.H., for escape hatch explosive bolt Attaching parts for EA3.10.2551:	1	L72	3/20	
	A61/3C . . . Bolt, 2BA hex. head	2	-	3/22	
R	AGS2001/C/3 . . . Nut, stiff, 2BA	2	-	3/18	
	EA3.10.2552 . . . ARM, steady, R.H., for escape hatch explosive bolt Attaching parts for EA3.10.2552:	1	L72	3/21	
	A61/3C . . . Bolt, 2BA hex. head	2	-	3/22	
R	AGS2001/C/3 . . . Nut, stiff, 2BA	2	-	3/18	
	EA3.10.2583 . . . ARM, steady, for escape hatch explosive bolt Attaching parts for EA3.10.2583:	3	EEDX90	3/15	
	A61/3C . . . Bolt, 2BA hex. head	2	-	3/11	
R	AGS2001/C/3 . . . Nut, stiff, 2BA	2	-	3/17	
	EA3.10.2584 . . . ARM, steady, for escape hatch explosive bolt Attaching parts for EA3.10.2584:	3	EEDX90	3/23	
	A61/3C . . . Bolt, 2BA hex. head	2	-	3/24	
R	AGS2001/C/3 . . . Nut, stiff, 2BA	2	-	3/29	
	- . . . ATTACHMENT, FORWARD STRUCTURE, ASSEMBLY (EG7.10.1257) Spares for:	-	-	3/31	
	A25/2C . . . BOLT, 2BA hex. head	8	-	3/30	
	A25/3C . . . BOLT, 2BA hex. head	38	-	3/41	
	A25/4C . . . BOLT, 2BA hex. head	2	-	3/42	
	AGS2001/C/1 . . . NUT, stiff, 2BA	48	-	3/44	
	SP15/C . . . WASHER, 2BA plain	48	-	3/45	
	EA1.10.1029 . . . BOLT, special, navigator's escape hatch	34	L40	3/5	
R	EA3.10.6477 . . . BOLT, special (Alt.R60/44 Mod.5101)	68	-		
	EA3.10.2581 . . . BRACKET, hinge	1	L40	3/34	

FUSELAGE
FRONT FUSELAGE STRUCTURE

Part Number	Description	No. Off	Mtl. Spec.	Plate No.						
				1	2	3	4	5	6	
EA3.10.2582	. BRACKET, hinge Attaching parts for EA3.10.2581 and EA3.10.2582:	1	L40							3/35
AS1242/4C or AS1242/5C AS1242/6C or AS1242/7C	. Bolt, 2BA hex. head	2	-							3/37
AGS2001/C/1 SP13/C	. Bolt, 2BA hex. head	2	-							3/38
EA1.20.1033	. Bolt, 2BA hex. head	2	-							3/32
	. Nut, stiff, 2BA	4	-							3/33
	. Washer, 2BA plain	4	-							3/40
	. Washer, special	8	Lam.Alum							3/39
EA3.10.983	. BUSH, rubber, canopy bolt	16	S/H34-45							3/36
EA1.10.1163	. BUSH, navigator's escape hatch explosive bolts	21	L40							13/3
EA1.10.1165	. BUSH, navigator's escape hatch explosive bolts	11	L40							3/13
EA3.10.6407	. BUSH, navigator's hatch, explosive bolts	2	-							3/2
EA3.10.6409	. BUSH, navigator's hatch, explosive bolts	21	-							
EA3.10.3021	. CAP, sealing, escape hatch pivot	2	L40							3/27
EA3.10.3019	. COLLAR, sealing, escape hatch pivot	2	L40							3/25
-	. DOOR, EQUIPMENT HATCH, WITH A.D.F. LOOP AERIAL, INSTALLATION (EG9.10.109) Spares for:	-	-							3A/25
A25/7J	. . . BOLT, 3/8" BSF hex. head, door hinge attachment	2	-							3A/35
EEAS136	. . . BRACKET, bonding lead attachment	2	L72							3A/13
EG9.82.99	. . . DOOR, EQUIPMENT HATCH AND STRUCTURE, A.D.F. LOOP AERIAL, GROUP Spares for:	1	-							3A/24
EG7.10.227 BLOCK, insulation	1	Tufnol							3A/12
EA9.11.1681 BRACKET	1	L72							3A/27
EA1.10.511 LINK, connecting Attaching parts for EA1.10.511:	2	-							3A/21
SP4Y/B2 Pin, shackle	1	-							3A/19
SP90/C3 Pin, split	1	-							3A/20
AS2866P LOCK Spares for:	1	-							3A/9
FGS50 or FFE4 KEY	1	-							
EA1.10.2421 Attaching parts for AS2866P: Ring, packing	1	L72							3A/8
A33/B12 Screw, 4BA c'sk head	11	-							3A/6
EA3.82.363 PANEL, dielectric	1	-							3A/4
EA3.82.379 PANEL, equipment access	1	L72							3A/11
EA1.10.2423 PANEL, removable Attaching parts for EA1.10.2423:	1	L72							3A/16
AS1248/1/2B Bolt, 4BA mushroom head	26	-							3A/18
EA1.10.549 ROD, door lock	2	L64							3A/22
EA3.82.381 SEAL, dielectric panel, 1/16" thick	1	Neo-K-Tex							3A/10
EA1.10.2425 STRIP, sealing, 1/2" wide (Make from EEAS141/1, Ref.12713)	1	-							3A/5
EEAS237/11A WASHER, 'D'	1	L72							3A/26

FRONT FUSELAGE STRUCTURE

Ref. No.	Part No.	Description							No. off	Matl. Spec.	Cl. of Equip. M.R. L.M.	Fig. and Index
		1	2	3	4	5	6	7				
	-	FRAME, HATCH, MODIFICATION (E.A3.82.391) ...							-	-	-	3A/29
		Spares for:-										
43392	E.A3.82.395	BRACKET, plate, L.H.							1	L72	C	3A/32
43393	E.A3.82.397	BRACKET, plate, R.H.							1	L72	C	3A/31
43391	E.A3.82.393	PLATE, strut roller slot							1	L72	C	3A/30
	-	HINGES, ATTACHMENT TO STRUCTURE, ...							-	-	-	3A/34
		ASSEMBLY (E.A3.82.399)										
		Spares for:-										
37670	E.A3.82.401	BRACKET, hinge, assembly							1	-	C	3A/48
37678	E.A3.82.402	BRACKET, hinge, assembly							1	-	C	3A/59
37673	E.A3.82.409	PLATE, lipped							1	-	C	3A/60
37668	E.A3.82.415	ROLLER							4	L40	C	3A/44
		Attaching parts for E.A3.82.415:-										
32318	E.A3.82.411	Bolt, special, 2 BA							1	L40	C	3A/56
28M/5808573	A27/CS	Nut, 2 BA slotted							1	-	C	3A/52
28P/9527619	SP90/C7	Pin, split							1	-	C	3A/57
37676	E.A3.82.413	Tube, distance, 3/8" o/d x 17 SWG							1	L62	C	3A/47
28W/9419405	SP15/E	Washer, 1/4" BSF plain							8	-	C	3A/49
	E.A3.82.543	SHIM, laminated							4	Alum. Alloy	-	3A/61
R 28M/4677495	AGS.2001/J/3	NUT, stiff, 3/8" BSF, door hinge attachment bolt							2	-	C	3A/36
	37677	E.A3.82.421 STRUT, door, assembly							1	-	C	3A/33
		Attaching parts for E.A3.82.421:-										
28D/1011244	A25/9E	Bolt, 1/4" BSF hex. head							1	-	C	3A/23
28M/5808573	A27/CS	Nut, 2 BA slotted							1	-	C	3A/2
28M/1011467	A27/ES	Nut, 1/4" BSF slotted							1	-	C	3A/15
28P/9527619	SP90/C7	Pin, split							2	-	C	3A/3
12276	E.A9.11.1677	Roller							1	T45	C	3A/1
25444	E.A9.11.1679	Tube, distance							1	T35	C	3A/14
	EEAS.27/46EU	Washer							2	S515	-	3A/7
	2986	E.A1.10.939 DOOR, NOSE UNDERCARRIAGE, PORT, GROUP (Supplied to Pt. No. E.A3.00.149 for spares purposes)							1	-	B	4/37
		Spares for:-										
18873	E.A1.10.957	BLOCK, catch							2	-	C	4/55
		Attaching parts for E.A1.10.957:-										
18202	E.A1.10.981	Bolt, special							4	-	C	4/54
6129	E.A1.10.983	Shim							1	-	C	4/44
28W/9416643	SP47/C	Washer, 2 BA spring							4	-	C	4/45

FUSELAGE

FRONT FUSELAGE STRUCTURE

Part Number	Description	No. Off	Mtl. Spec.	Plate No.	
					1
EA1.10.1367	. . BRACKET, door pick up Attaching parts for EA1.10.1367:	1	-	4/28	
EA1.10.2707	. . Bolt, special (Make from A25/3C)	8	-	4/36	
EA1.10.1369	. . Shim	1	-	4/46	
EA1.10.1271	. . HINGE (Make from AS1880, Ref.28N/9486785)	1	-	4/53	
EA1.10.1413	. . HINGE	1	-	4/31	
EA1.10.955	. . PAD, rubber	1	-	4/24	
EA1.10.2655	. . PAD, stop	1	-	4/43	
R EA3.10.2811	. . SEAL, 'P' (Pre Mod.5282) (Make from EEAS122) (26FZ/4756)	1	-	4/47	
R EA3.10.6583	. . SEAL, 'P' (Mod.5282) (Make from EEAS844) (26FZ/6147755)	1	-	4/47	
AGS2001/A/1	. . Nut, stiff, 6BA	16	-	4/48	
A33/A12	. . Screw, 6BA, c'sk head	16	-	4/49	
EA1.10.949	. . SHIM	1	Light Alloy	4/25	
EA1.10.2065	. . SPUR	1	-	4/38	
EA1.10.2513	. . STRIP, securing seal	1	-	4/30	
EA1.10.2515	. . STRIP, securing seal	1	-	4/52	
EEAS6/C	. . WASHER, cup	2	-	4/26	
EA1.10.940	. . DOOR, NOSE UNDERCARRIAGE, STARBOARD, GROUP (Supplied to Part No.EA3.00.150 for spares purposes) Spares for:	1	-	4/29	
EA3.10.3129	. . BLOCK, nose wheel door latch Attaching parts for EA3.10.3129:	1	-	4/39	
EA1.10.983	. . Bolt, special	2	-	4/40	
SP47/C	. . Washer, 2BA spring	2	-	4/41	
EA3.10.1367	. . BRACKET, door pick-up Attaching parts for EA3.10.1367:	1	-	4/5	
EA1.10.2707	. . Bolt, special (Make from A25/3C)	8	-	4/36	
EA1.10.1369	. . Shim	1	-	4/46	
EA1.10.2071	. . BRACKET, roller Attaching parts for EA1.10.2071:	1	-	4/15	
A25/3C	. . Bolt, 2BA hex. head	2	-	4/2	
A27/CP	. . Nut, 2BA plain	2	-	4/11	
EA1.10.2077	. . Washer, special	2	-	4/9	
EA3.10.3085	. . BRACKET, spring seating Attaching parts for EA3.10.3085:	1	L40	4/20	
A25/3C	. . Bolt, 2BA hex. head	2	-	4/21	
AGS2002/C/1	. . Nut, stiff, 2BA	2	-	4/22	
SP16/C	. . Washer, 2BA plain	2	-	4/23	
EA1.10.1272	. . HINGE, assembly (Make from AS1880, Ref.28N/9486785)	1	-	4/16	
EA1.10.1414	. . HINGE	1	-	4/4	
EA3.10.3193	. . HOOK, door latch, forward Attaching parts for EA3.10.3193:	1	S11	4/27	
EA1.10.971	. . Pin, pivot	1	-	4/51	
EA1.45.989	. . Shim	1	-	4/50	
EEAS28/23CU	. . Washer	2	S515	4/42	

FUSELAGE
FRONT FUSELAGE STRUCTURE

Part Number	Description	No. Off	Mati. Spec.	Plate No.
EA3.10.3239	. . HOOK, door latch, aft Attaching parts for EA3.10.3239:	1	S11	4/10
EA3.10.3375	. . Packing	5	L72	4/14
EA1.10.971	. . Pin, pivot	1	-	4/12
SP15/G	. . Washer, 5/16" BSF plain	1	-	4/13
EA1.10.955	. . PAD	1	Rubber	4/8
EA1.10.1725	. . PLATE, cover Attaching parts for EA1.10.1725:	1	-	4/17
A33/B12	. . Screw, 4BA c'sk head	2	-	4/18
EA3.10.3211	. . ROD, CONNECTING, NOSE UNDERCARRIAGE DOOR HOOKS, ASSEMBLY Consisting of:	1	-	3A/39
EA3.10.3083	. . . COLLAR, spring adjusting	1	L40	3A/52
EA3.10.3207	. . . FORK-END	1	S96	3A/40
EA3.10.3213	. . . FORK-END	1	S96	3A/53
A27/CP	. . . NUT, 2BA plain	2	-	3A/55
A27/CPL	. . . NUT, 2BA plain, L.H.	1	-	3A/41
EA3.10.3209	. . . ROD, connecting	1	S96	3A/42
EA3.20.2271	. . . SPRING Attaching parts for EA3.10.3211:	1	DTD239A	3A/43
AGS899/1	. . Collar, shackle pin	2	-	3A/54
SP4/Y/A7	. . Pin, shackle	2	-	3A/58
SP90/A2	. . Pin, split	2	-	3A/50
EA1.10.2075	. . ROLLER Attaching parts for EA1.10.2075:	1	-	4/1
EA1.10.2073	. . Pin	1	-	4/3
EA1.10.949	. . SHIM	1	Light Alloy	4/6
EA3.10.2811	. . STRIP, sealing (Make from Ref.4756) Attaching parts for EA3.10.2811:	1	-	4/32
AGS2001/A/1	. . Nut, stiff, 6BA	16	-	4/33
A33/A12	. . Screw, 6BA c'sk head	16	-	4/34
EA1.10.2145	. . STRIP, securing	1	-	4/19
EA1.10.2515	. . STRIP, securing	1	-	4/35
EEAS6/C	. . WASHER, cup	2	-	4/7
EA1.10.1189	. . DOOR, access, hydraulic reservoir	1	L72	5/23
EA3.10.1401	. . DOOR, MAIN ENTRANCE, GROUP Spares for:	1	-	15/22
EA1.10.1143	. . BOLT, assembly, door, forward	1	-	5/55
EA1.10.1145	. . BOLT, assembly, door, aft	1	-	5/56
EA3.10.2313	. . FAIRING, handle, internal Attaching parts for EA3.10.2313:	1	-	5/38
AS1248/2C	. . Bolt, 2BA mushroom head	13	-	5/39

FUSELAGE

FRONT FUSELAGE STRUCTURE

Part Number	Description	No. Off	Matl. Spec.	Plate No.					
				1	2	3	4	5	6
EG7.10.1126	. FAIRING, SIDE, "X" BAND RADOME, STARBOARD, ASSEMBLY Spares for:—	1	L72						5/3
—	. . . DOOR, ASSEMBLY (EG7.10.1144) Spares for:—	—	—						5/32
AS1242/1C	. . . BOLT, 2BA c'sk head, door securing	4	—						5/34
AS1242/1B	. . . BOLT, 4BA c'sk head, lanyard securing	1	—						5/37
EG7.10.1149	. . . DOOR	1	L72						5/36
EG7.10.1146	. . . LANDING, door	1	L72						5/4
EEAS572/50	. . . LANYARD, 5" long	1	Nylon						5/35
AGS2001/B/1	. . . NUT, stiff, 4BA	1	—						5/33
EG7.10.1148	. . . PACKING Attaching parts for EG7.10.1126:—								
A25/1C	. Bolt, 2BA hex. head	4	—						5/7
AS1248/1/3C	. Bolt, 2BA mushroom head	8	—						5/8
AS1248/3C	. Bolt, 2BA mushroom head	22	—						5/9
SP15/C	. Washer, 2BA plain	4	—						5/10
S4/250	. SPRING, dzus fastener, hydraulic reservoir access door	6	—						5/24
EA3.10.6389	. FRAME, bolt, navigator's escape hatch (Alt.R60/45) (Mod.5101) (Pre-Mod.5348)	1	—						6/22
EA3.00.5783	. FRAME, bolt, assembly (Spares for EA3.10.6389) (Mod.5348)	1	—						
EA1.10.1153	. HANDLE, main door jettison, assembly Attaching parts for EA1.10.1153:—	1	L40						5/15
AS1248/5B	. Bolt, 4BA mushroom head	1	—						5/1
AGS2035/B	. Washer, shakeproof	1	—						5/6
EG7.00.275	. HATCH, NAVIGATOR'S ESCAPE, ASSEMBLY (EG7.10.1703) (Mod.4463) (Pre-Mod. 5348) (for spare hatch assembly refer to EA3.00.5713) Spares for:—	1	—						6/7
1240	. . . BLOCK, terminal Attaching parts for 1240:—	1	—						6/24
A33/A20	. . . Screw, 6BA c'sk head	2	—						6/36
EG7.81.3407	. . . BRACKET, for type 'R' connector (Mod.4463) Attaching parts for EG7.81.3407:—	1	L72						6/45
AGS2002/B/1	. . . Nut, stiff, 4BA	2	—						6/48
A33/B12	. . . Screw, 4BA c'sk head	2	—						6/50
EG7.81.3411	. . . CABLE, ASSEMBLY, No.417, FROM T/B ON BLANKING PLATE TO TYPE 'R' CONNECTOR SOCKET, GROUP (Mod.4463) Consisting of:—	1	—						
UNITERSIL 20	. . . CABLE, unifersil 20	QR	—						
1252	. . . CONNECTOR, type 'R' (Mod.4463)	1	—						
EEAS146/20	. . . SLEEVE, 3/4" long	QR	—						
EEAS146/12	. . . SLEEVE, 1" long	QR	—						
12467	. . . TAG, ring tongue	2	—						
EA3.10.6109	. . . CHANNEL, butt connector Attaching parts for EA3.10.6109:—	1	L72						6/30
A25/2C	. . . Bolt, 2BA hex. head	4	—						6/33
AGS2001/C/1	. . . Nut, stiff, 2BA	4	—						6/42
SP16/C	. . . Washer, 2BA plain	4	—						6/41

FUSELAGE

FRONT FUSELAGE STRUCTURE

Part Number	Description	No. Off	Matl. Spec.	Plate No.
MARTIN BAKER MB/EU/320/EE	. . . CLIP, safety harness stowage Attaching parts for MB/EU/320/EE:	4	-	6/59
A25/5B	. . . Bolt, 4BA hex. head	4	-	6/52
AGS2001/B/1	. . . Nut, stiff, 4BA	4	-	6/58
EA3.10.2277	. . . Piece, packing	1	LFS21	6/62
EA3.10.2281	. . . Piece, packing	2	LFS21	6/61
SP15/B	. . . Washer, 4BA plain	4	-	6/60
MARTIN BAKER MB/EU/321/EE	. . . CLIP, parachute harness stowage Attaching parts for MB/EU/321/EE:	4	-	6/57
A25/5B	. . . Bolt, 4BA hex. head	4	-	6/43
AGS2001/B/1	. . . Nut, stiff, 4BA	4	-	6/51
EA3.10.2275	. . . Piece, packing	1	LFS21	6/56
EA3.10.2279	. . . Piece, packing (at 2 positions)	2	LFS21	6/55
EA3.10.6135	. . . Piece, packing (at 2 positions)	1	LFS21	6/19
SP15/B	. . . Washer, 4BA plain	4	-	6/47
EA6.10.2683	. . . CURTAIN, window blackout	2	-	6/14
EA3.80.6659	. . . EYEBOLT (Mod.5093)	1	-	
EA6.10.2589	. . . FAIRING, canopy	1	L72	6/1
EB7.10.5093	. . . FORK-END, navigator and A.E. operator's secondary release cable securing (Mod.5093) Attaching parts for EB7.10.5093:	1	S94	6/29
AGS2001/C/1	. . . Nut, stiff, 2BA	1	-	6/25
SP15/C	. . . Washer, 2BA plain	1	-	6/26
EA3.10.6111	. . . HOLDER, spigot Attaching parts for EA3.10.6111:	1	L65	6/18
A25/4E	. . . Bolt, BSF hex. head	2	-	6/21
SP16/E	. . . Washer, 1/4" BSF plain	2	-	6/20
EA3.10.111	. . . PLATE, window securing Attaching parts for EA3.10.111:	1	L72	6/17
AGS2001/C/1	. . . Nut, stiff, 2BA	48	-	6/16
EEAS1/1C	. . . Screw, 2BA c'sk head	42	S96	6/8
EEAS1/2C	. . . Screw, 2BA c'sk head	6	S96	6/11
SP15/C	. . . Washer, 2BA plain	48	-	6/13
EA3.10.6275	. . . PLATE, window securing Attaching parts for EA3.10.6275:	1	L72	6/44
AGS2001/C/1	. . . Nut, stiff, 2BA	48	-	6/37
EEAS1/1C	. . . Screw, 2BA c'sk head	46	S96	6/40
EEAS1/2C	. . . Screw, 2BA c'sk head	2	S96	6/28
SP15/C	. . . Washer, 2BA plain	48	-	6/35
EA3.10.3765	. . . PLATE, blanking, periscope	1	L40	6/38
EA3.10.6121	. . . RING, packing	1	L72	6/32
EA3.10.6137	. . . RING, packing, 3/32" thick	1	Langite	6/27
EA3.10.6247	. . . RING, packing, 1/32" thick	1	Langite	6/34
EEAS1/1C	. . . SCREW, 2BA 120° c'sk head, canopy fairing	10	S96	6/12
EEAS1/2E	. . . SCREW, 1/4" BSF 120° c'sk head, canopy fairing	2	S96	6/15
EA3.10.309	. . . SEAL, rubber strip, 38" long (Make from Ref.208)	2	-	6/6
EA3.10.311	. . . SEAL, rubber, 64" long (Make from Ref.208)	1	-	6/2

R

FUSELAGE
FRONT FUSELAGE STRUCTURE

Part Number	Description	No. Off	Mati. Spec.	Plate No.
EA3.10.313	. . SEAL, rubber, 61" long (Make from Ref.208)	1	-	6/4
EEAS15/49/92GR	. . STRIP, packing, for type 'R' connector (Mod.4463)	1	L72	6/31
EA3.80.1787	. . STRIP, securing, window curtain Attaching parts for EA3.80.1787:	2	L72	6/5
AS1246/1B	. . Bolt, 4BA round head	3	-	6/3
AGS2001/B/1	. . Nut, stiff, 4BA	3	-	6/9
EA3.10.6099	. . SPIGOT, screwed, 3/8" BSF	2	S96	6/23
EA3.10.305	. . WINDOW, perspex, 0".5 thick Attaching parts for EA3.10.305:	2	DTD846	6/39
EA3.10.985	Bush, rubber (Make from 32C/507)	20	S/H 35-45	6/53
AGS2001/C/1	. . Nut, stiff, 2BA	20	-	6/63
EEAS1/6C	. . Screw, 2BA c'sk head	20	S96	6/46
EA3.10.307	. . Seal, rubber	2	S/H 35-45	6/49
SP15/C	. . Washer, 2BA plain	20	-	6/54

FRONT FUSELAGE STRUCTURE

Part Number	Description	No. Off	Matl. Spec.	Plate No.	
					1
	. HATCH NAVIGATORS SPARE ASSEMBLY Comprising:-				
R EA3.00.5713	. . HATCH NAVIGATORS (spares for:- EA3.10.6301 modified to EA3.10.6461 and EG7.10.1703) (Mod.4463) (Mod.5348)	1	-	8/10	
R EG7.00.10037	. . KIT, LOOSE EQUIPMENT FOR NAVIGATOR'S HATCH (LOOSE EQUIPMENT KIT IS ESSENTIAL REQUIREMENT WITH HATCH) (Mod.5348) Comprising:-	1	-		
	TYPE B, No.1 . . . BLOCK, terminal	1	-		
	EEAS1/1C . . . BOLT	10	-		
	AS1246/1B . . . BOLT	6	-		
	AS25/1B . . . BOLT	3	-		
	EA3.10.6477 . . . BOLT, special	68	-		
R A25/5B	. . . BOLT	2	-		
R EG7.81.3407	. . . BRACKET	1	-		
R EG7.81.3411	. . . CABLE, assembly	1	-		
R AS3180/4B	. . . CLIP, "P"	1	-		
R AS3180/4B	. . . CLIP, "P"	3	-		
	EA6.10.2683 . . . CURTAIN	2	-		
	EA6.10.2589 . . . FAIRING, canopy	1	-		
	EB7.10.5093 . . . FORK-END	1	-		
	AGS2007C1 . . . NUT, anchor	10	-		
	AGS2001C1 . . . NUT, stiff	2	-		
	AGS1001B1 . . . NUT, stiff	6	-		
R AGS2002B1	. . . NUT, stiff	5	-		
R EEAS15.49.92GR	. . . PACKING	1	-		
	EA3.80.1787 . . . PLATE	2	L72 x 20 SWG		
	AS2230-303 . . . RIVET	20	-		
	ND . . . SCREW, hook	8	-		
	A33A20 . . . SCREW	2	-		
	EEAS1/2E . . . SCREW	2	-		
	A33B12 . . . SCREW	3	-		
	EA3.10.309 . . . SEAL, rubber (Make from 26FZ/208-EEAS74)	2	-		
	EA3.10.311 . . . SEAL, rubber (Make from 26FZ/208-EEAS74)	1	-		
	EA3.10.313 . . . SEAL, rubber (Make from 26FZ/208-EEAS74)	1	-		
	SP15C . . . WASHER	2	-		
	SP15B . . . WASHER	3	-		
R ND	. . . WIRE, 8" long	4	-		
	(For installation details of the above, refer to drawings EA3.10.6301, EA3.10.6461 and EG7.10.1703)				

FUSELAGE
FRONT FUSELAGE STRUCTURE

Part Number	Description	No. Off	Matl. Spec.	Plate No.
-	HOOD, COUPE, ASSEMBLY TO FUSELAGE (EG7.10.1295) Spares for:	-	-	7/25
EA3.10.2085	. . . BOLT, explosive	2	L40	7/37
EA3.10.2221	. . . BOLT, explosive	30	L40	7/36
EA1.10.1035	. . . BUSH, coaming tube, explosive bolt	31	L40	7/30
EA1.10.1167	. . . BUSH, coaming tube, explosive bolt entry	2	L40	7/35
EA1.10.1169	. . . BUSH, coaming tube, explosive bolt entry	30	L40	7/33
EA1.10.1435	. . . BUSH, coaming tube, explosive bolt	1	L40	7/31
EG7.00.227	. . . HOOD, COUPE, C/W EDGE MEMBER, GROUP (EG7.15.3) Spares for:	1	-	7/24
EA3.10.3479	. . . BRACKET, hinge	1	L40	7/40
EA3.10.3480	. . . BRACKET, hinge Attaching parts for EA3.10.3479 and EA3.10.3480:	1	L40	7/41
AS1242/18C	. . . Bolt, 2BA c'sk head	2	-	7/28
AS1242/3E	. . . Bolt, 1/4" BSF c'sk head	2	-	7/32
A27/CT	. . . Nut, 2BA thin	2	-	7/34
EA3.10.3061	. . . Shim	2	Lam. Alum	7/27
EA3.10.3063	. . . Shim	2	Lam. Alum	7/39
SP13/C	. . . Washer, 2BA plain	2	-	7/29
EA6.10.2587	. . . FAIRING, canopy, forward section Attaching parts for EA6.10.2587:	1	L72	7/11
AS1242/13C	. . . Bolt, 2BA c'sk head	4	-	7/14
A37/C8	. . . Screw, 2BA c'sk head	2	-	7/16
EA6.10.2679 or EA2.10.661	. . . Strip, rubber (Make from 32C/537) . . . Strip, rubber	QR QR	Linatex -	7/20 7/21
EG7.15.5	. . . HOOD, ASSEMBLY Spares for:	1	-	7/26
EA1.15.9	. . . BRACKET, fastener	1	L40	7/7
EA1.15.13	. . . BRACKET, hinge	1	L40	7/15
EA3.15.95	. . . BUSH, rubber, for attachment screws	148	Natural Rubber	7/22

FUSELAGE
FRONT FUSELAGE STRUCTURE

Part Number	1 2 3 4 5 6	Description	No.	Mati. Spec.	Plate No.
			Off		
EA3.15.109	BUSH, rubber, door landing bolts	24	Natural Rubber	7/18
EA1.81.689/1	CABLE, ASSEMBLY, N47A, HEATED WINDSCREEN TO COUPE BREAK, GROUP	1	-	
		Consisting of:			
5E/9467424	CABLE, dupren 6	QR	-	
5CY/9330749	PLUG, 2-way, type 'R'	1	-	
5K/	SLEEVE, No.1 x 3/4"	QR	-	
5K/	SLEEVE, No.2 x 3/4"	QR	-	
5K/	SLEEVE, No.3 x 1"	QR	-	
5CY/4376512	SOCKET, 2-way, type 'R'	1	-	
EA1.15.19	EYE-BOLT, 2BA	1	DTD126A	7/9
		Attaching parts for EA1.15.19:			
A26/6C	Bolt, 2BA hex. head	1	-	7/8
A24/CP	Nut, 2BA plain	1	-	7/12
EA3.15.129	LANDING, door (D.V. window)	1	L72	7/2
		Attaching parts for EA3.15.129:			
AS2920/13B	Bolt, 4BA c'sk head	20	-	7/17
AS2920/14B	Bolt, 4BA c'sk head	4	-	7/1
A24/BT	Nut, 4BA thin	4	-	7/13
AGS2002/B/2	Nut, stiff, 4BA	20	-	7/19
EA1.15.17	NUT, knurled, 2BA	1	L40	7/10
EA3.15.107	RING, packing, perspex door landing	1	DTD838	7/4
EA3.15.133	RING, sealing, door landing	1	L72	7/6
EA3.15.87	SEALING, rubber, between edge member and hood, 1/16" x 1 1/4" x 216" long (Make from 32C/271)	1	-	7/23
EA3.15.135	SEAL, rubber, 1/32" thick, door landing, inboard	1	SH30	7/5
EA1.15.23	SPRING	1	Spring Steel	7/38
EA3.15.131	WASHER, sealing, door landing outboard	1	Rubber S/H 30-40	7/3
R EG7.15.7	WINDOW, DIRECT VISION, GROUP (Pre SAS4798)	1	-	8/16
R EA3.15.145	WINDOW, DIRECT VISION, GROUP (SAS4798)	1	-	
		Consisting of:			
R No.1410	ADHESIVE, Bostik No.1410 DTD900-4418 (Com.Mod.0169)	QR	-	
AS2920/13B	BOLT, 4BA c'sk head	10	-	8/19
AS2920/14B	BOLT, 4BA c'sk head	6	-	8/29
EA1.15.161	BRACKET, fastener	1	L40	8/36
EA1.15.163	BRACKET, hinge, c/w bushes	1	L40	8/41
AGS2002/B/2	NUT, stiff, 4BA	16	-	8/30
EA1.15.173	PACKING, fastener bracket	1	Lam. Alum	8/32
EA1.15.175	PACKING, hinge bracket	1	Lam. Alum	8/37

FUSELAGE
FRONT FUSELAGE STRUCTURE

Part Number	1 2 3 4 5 6	Description	No. Off	Mati. Spec.	Plate No.
R EA3.15.137		PANEL, c/w elements (Pre SAS4798)	1	Toughened Glass	8/34
R EA3.15.143		PANEL, c/w elements (SAS4798)	1	-	
EA1.15.151		PLATE, 16 SWG	1	L73	8/38
EA3.15.127		RING, panel frame	1	LFS26	8/24
EA1.15.145		RING, rubber, insulator	1	S/H 40	8/23
EA1.15.147		RING, rubber, sealing	1	S/H 40	8/26
EA1.15.155		RING, rubber, sealing	1	Rubber	8/27
EA1.15.157		RING, clamping	1	L72	8/31
AH01882215		RING, sealing (Com.Mod.0169)	1	-	
EA3.15.111		TERMINAL	4	BSS369	8/33
EA3.10.2223		MEMBER, edge, coupe hood	1	-	8/9
		Spares for:-			
EEAS603/J		NUT, anchor, floating, double lug	32	-	8/43
EA3.10.3451		PLATE, attachment, port	1	L72	8/6
EA3.10.3453		PLATE, attachment, starboard	1	L72	8/5
EA3.10.3455		PLATE, attachment, rear	1	L72	8/3
EA3.10.3457		PLATE, attachment, front	1	L72	8/7
EA3.10.2249		SEAL, rubber, coaming tube to canopy, 1/8" x 1 1/2" (Make from 32C/519)	QR	Linatex	8/13
EA3.10.2251		SEAL, rubber, coaming tube to canopy, 1/16" x 1 1/2" (Make from 32C/271)	QR	Linatex	8/12
EG7.10.1511		TUBE, COAMING, COUPE, GROUP	1	-	8/8
		Spares for:-			
EA3.16.5025		BRACKET, eye-bolt, pilot's guide rail attachment	2	S96	8/2
EA1.10.1657		CLIP, top half, air drier mounting	2	DTD124	8/11
EA1.10.1659		CLIP, bottom half, air drier mounting	2	DTD124	8/17
EA1.10.1663		NUT, knurled finger	8	L40	8/15
EA3.10.2773		PLATE, blast	1	L72	8/10
EA1.10.847		WASHER, saddle, pilot's seat, rear fixing	2	L40	8/1
EA1.10.849		WASHER, saddle, pilot's seat, rear fixing	2	L40	8/4
EG7.10.63		KEEL-UNIT, ASSEMBLY	1	-	8/18
-		ALTERATIONS TO KEEL-UNIT, ASSEMBLY (EG7.10.5223) (Mod.5466)	RF	-	-
		Spares for:-			
EA3.11.655		BOLT, special	4	-	8/14
EG7.10.1601		DOOR, probe access (Make from 30B/1732) Attaching parts for EG7.10.1601:-	1	L72	8/20
AS1248/1C		Bolt, 2BA mushroom head	12	-	8/28
		FLOOR, NAVIGATOR'S SECTION (EG7.80.671)	-	-	
		Spares for:-			
EB6.80.1057		PLATE, assembly (Pre Mod.5259)	1	-	
EB6.80.7321		PLATE, assembly (Mod.5259)	1	-	
		Spares for:-			
EB6.80.1099		ASBESTOS (Pre Mod.5259)	1	-	
EB6.80.7323		INSULATION (Mod.5259) (Make from FIBERFAX DS.21 Type GH, 0.25" or 6mm thick)	1	-	
EB6.80.1097		PLATE, 22 SWG Attaching parts for EB6.80.1057 and EB6.80.7321:-	1	L72	
AS1248/1/2C		Bolt, 2BA mushroom head	16	-	
SP13/C		Washer, 2BA	16	-	

FUSELAGE
FRONT FUSELAGE STRUCTURE

Part Number	Description	No. Off	Mati. Spec.	Plate No.
-	. . . SKINNING PRESSURE CABIN KEEL UNIT ASSEMBLY (EG7.10.11) (EA3.10.11)	-	-	8/21
-	. . . ALTERATIONS TO PRESSURE CABIN KEEL-UNIT ASSEMBLY (EG7.10.5221) (Mod.5466) Spares for:-	RF	-	-
-	. . . DELETION OF K AERIAL (EA3.10.6615) (Mod.5222) Spares for:-	-	-	
EA3.10.6535 CLEAT	1	L73 x 18 SWG	
EA3.10.6519 PANEL, skin starboard	1	L72 x 20 SWG	
EA3.10.6521 PANEL, skin port	1	L72 x 20 SWG	
EA3.10.6533 STRAP, butt 10.5" approx	1	L72 x 18 SWG	
EA3.10.6527 STRINGER, port outboard (Make from EEDX68, Ref.26FZ/4475 19" long approx)	1	EEDX68	
EA3.10.6525 STRINGER, port inboard (Make from EEDX68, Ref. 26FZ/4475 28" long approx)	1	EEDX68	
EA3.10.6523 STRINGER, centre (Make from EEDX68 Ref. 26FZ/4475 28" long approx)	1	EEDX68	
EA3.10.6531 STRINGER, starboard outboard (Make from EEDX68, Ref. 26FZ/4475 19" long approx)	1	EEDX68	
EA3.10.6629 STRINGER, starboard inboard (Make from EEDX68, Ref. 26FZ/4475 28" long approx)	1	EEDX68	
EA3.10.2373 PANEL, skin starboard (Pre Mod.5222)	1	-	
EA3.10.2371 PANEL, skin port (Pre Mod.5222)	1	-	
EA1.10.829 PLUG, drain assembly Consisting of:-	1	-	8/25
EA1.10.827 HOUSING	1	L40	8/35
OR12 RING, sealing	1	SH60	8/39
EA1.10.825 SCREW, special	1	L40	8/42

R

FUSELAGE
FRONT FUSELAGE STRUCTURE

Part Number	Description 1 2 3 4 5 6	No. Off	Matl. Spec.	Plate No.

FUSELAGE
FRONT FUSELAGE STRUCTURE

Part Number	Description	No. Off	Matl. Spec.	Plate No.
EG7.10.9	STRUCTURE, MAIN FLOOR, ASSEMBLY	-	-	9/24
-	ALTERATIONS TO MAIN FLOOR, ASSEMBLY (EG7.10.5219) (Mod.5466) Spares for:-	RF	-	-
EA3.10.2383	BOLT, special, bracket mounting	4	S96	9/7
EA1.10.217	BRACKET, MOUNTING, L.H.	1	-	9/2
or EA1.10.219	NOSEWHEEL PIVOT SHAFT, ASSEMBLY Spares for:-			
EA1.10.2685	CAP	1	-	9/6
SP21	NIPPLE	1	-	9/9
EA1.10.217A	SPIGOT	1	S94, 95 or 96	9/4
EA1.10.218	BRACKET, MOUNTING, R.H.	1	-	9/3
or EA1.10.220	NOSEWHEEL PIVOT SHAFT, ASSEMBLY Spares for:-			
EA1.10.2685	CAP	1	-	9/6
SP21	NIPPLE	1	-	9/9
EA1.10.217A	SPIGOT	1	S94, 95 or S96	9/4
EA1.10.231	BUSH	2	DTD217	9/1
EG7.10.315	BULKHEAD, PRESSURE, ASSEMBLY (Pre Mod.5466)	-	-	9/27
EG7.10.5217	BULKHEAD, PRESSURE, ASSEMBLY (Mod.5466) Spares for:-	-	-	
EG7.82.509	ANGLE, assembly	2	L72	9/31
EG7.82.510	ANGLE, assembly Attaching parts for EG7.82.509 and EG7.82.510:-	2	L72	9/30
A25/2C	Bolt, 2 BA hex. head	2	-	9/22
AGS2002/C/1	Nut, stiff, 2 BA	2	-	9/21
SP15/C	Washer, 2 BA plain	2	-	9/20
EA9.10.5091	BRACKET, FORWARD LATCH, ASSEMBLY Spares for:-	1	-	9/17
EA3.10.1739	BLOCK Attaching parts for EA3.10.1739:-	1	-	9/11
A25/25E	Bolt, 1/4" BSF hex. head	2	-	9/12
A27/ET	Nut, 1/4" BSF thin	2	-	9/14
AS2811/6/135	Tube, distance	2	L62	9/13
EA1.10.1429	PLATE Attaching parts for EA1.10.1429:-	1	-	9/18
A45/C16	Screw, 2 BA c'sk head	2	-	9/19
EG7.81.1171	PLATE (Pre Mod.5466)	1	-	
EG7.81.5285	PLATE (Mod.5466)	1	1.2mm-L165	9/32
-	PLATE, BLANKING, INSTALLATION (EG7.81.5313) (Mod.5466) Spares for:-	-	-	
EG7.81.5315	PLATE, blanking	1	1.2mm-L165	9/33
EA9.10.5093	PLATE, side	1	-	9/10
EA9.10.5095	PLATE, side	1	-	9/5
EA1.10.1431	SHIM	1	-	9/16
NORMALAIR 506713	CAP, blanking, ground pressure test valve	1	-	9/15

FUSELAGE
FRONT FUSELAGE STRUCTURE

Part Number	Description	No. Off	Matl. Spec.	Plate No.
EG7.81.507	CHANNEL, mounting Attaching parts for EG7.81.507:-	1	L72	9/28
A25/2C	Bolt, 2BA hex. head	6	-	9/29
AGS2002/C/1	Nut, stiff 2BA	2	-	9/26
SP13/C	Washer, 2BA plain	6	-	9/25
R 504600	CONNECTOR, ground pressurising	1	-	9/23
R EA1.10.621	STRINGER, port (Pre Mod.5222)	1	-	
R EA1.10.619	STRINGER, port inboard (Pre Mod.5222)	1	-	
R EA1.10.617	STRINGER, centre (Pre Mod.5222)	1	-	
R EA1.10.622	STRINGER, starboard, outboard (Pre Mod.5222)	1	-	
R EA1.10.620	STRINGER, starboard, inboard (Pre Mod.5222)	1	-	
EA3.10.2793	WASHER, special	4	DTD683	9/8
R EA3.10.2381	WINDOW, aerial (Pre Mod.5222)	1	-	
EG7.10.1637	SPIGOT, wave guide jig points	4	S1	8/22
EG7.10.1261	NOSE, FORWARD OF FRAME 1, ASSEMBLY Spares for:-	1	-	10/24
EG7.10.1283	FAIRING, upper, assembly Attaching parts for EG7.10.1283:-	1	L72	10/18
A25/1C	Bolt, 2BA hex. head	10	-	10/22
AS1248/1C	Bolt, 2BA hex. head	22	-	10/19
SP15/C	Washer, 2BA plain	10	-	10/21
EG7.10.119	STRUCTURE, FRAME 1A TO FRAME B ASSEMBLY Spares for:-	-	-	10/23
-	FRAME B, PRESSURE BULKHEAD, ASSEMBLY (EG7.10.121) Spares for:-	-	-	10/20
EG7.82.2275	BASE, wave guide clip	3	L72	10/5
EG7.82.261	BRACKET, WAVE GUIDE SWITCH, ASSEMBLY Spares for:-	1	-	10/26
EG7.82.2749	PLATE, adaptor Attaching parts for EG7.82.2749:-	1	L72	10/29
A25/2C	Bolt, 2BA hex head	3	-	10/27
SP13/C	Washer, 2BA plain	3	-	10/28
A25/2C	Bolt, 2BA hex. head	4	-	10/34
EEAS21A/8/FR	Washer, pad	4	L72	10/35
SP13/C	Washer, 2BA plain	4	-	10/38
EG7.82.265	BRACKET, WAVE GUIDE SWITCH, ASSEMBLY Spares for:-	2	-	10/30
EG7.82.2749	PLATE, adaptor Attaching parts for EG7.82.2749:-	1	L72	10/32
A25/3C	Bolt, 2BA hex. head	3	-	10/44
SP13/C	Washer, 2BA plain	3	-	10/36
A25/2C	Bolt, 2BA hex. head	4	-	10/33
EEAS21A/8/FR	WASHER, pad	4	L72	10/39
SP13/C	Washer, 2BA plain	4	-	10/37

FRONT FUSELAGE STRUCTURE

Ref. No.	Part No.	Description							No. off	Matl. Spec.	Cl. of Equip. M.R. L.M.	Fig. and Index
		1	2	3	4	5	6	7				
	E.G7.82.267	BRACKET, WAVE GUIDE SWITCH, ASSEMBLY							2	-	-	10/31
	E.G7.82.2749	Spares for:- PLATE, adaptor							1	L72	-	10/47
28D/9133012	A25/3C	Attaching parts for E.G7.82.2749:- Bolt, 2 BA hex. head							3	-	C	10/42
28W/9419402	SP13/C	Washer, 2 BA plain							3	-	C	10/40
28D/9133011	A25/2C	Attaching parts for E.G7.82.267:- Bolt, 2 BA hex. head							4	-	C	10/41
28W/9419402	EEAS.21A/8/F/R SP13/C	Washer, pad Washer, 2 BA plain							4 4	L72 -	LM C	10/45 10/43
	E.G7.82.377	BRACKET, WAVE GUIDE, ASSEMBLY							1	-	-	10/15
	E.G7.82.2271	Spares for:- ANGLE, mounting							1	L72	-	10/10
28D/9430920	A25/1C	Attaching parts for E.G7.82.2271:- Bolt, 2 BA hex. head							2	-	C	10/1
28W/9419475	SP15/C	Washer, 2 BA plain							2	-	C	10/2
28D/9133011	A25/2C	Attaching parts for E.G7.82.377:- Bolt, 2 BA hex. head							2	-	C	10/13
28M/1278190	AGS.2001/C/1	Nut, stiff, 2 BA							2	-	C	10/14
28W/9419402	SP13/C	Washer, 2 BA plain							2	-	C	10/9
	E.G7.82.2289	BRACKET, MOUNTING, ASSEMBLY							1	-	-	10/16
	E.G7.82.2271	Spares for:- ANGLE, mounting							1	L72	-	10/12
28D/9436920	A25/1C	Attaching parts for E.G7.82.2271:- Bolt, 2 BA hex. head							2	-	C	10/8
28W/9419475	SP15/C	Washer, 2 BA plain							2	-	C	10/3
42849	E.G7.82.1391	CLIP, wave guide							3	L72	C	10/6
28D/9133011	A25/2C	Attaching parts for E.G7.82.1391:- Bolt, 2 BA hex. head							2	-	C	10/7
28W/9419402	SP13/C	Washer, 2 BA plain							2	-	C	10/11
	E.G7.82.1985	PLATE, nut, wave guide switch bracket backing, assembly							3	L72	-	10/46
	E.G7.82.2279	PLATE, nut, wave guide clip backing, assembly							3	L72	-	10/4
	E.G7.82.2737	PLATE, nut, wave guide switch backing assembly							1	L72	-	10/25
	E.G7.10.531	STRUCTURE, FORWARD OF FRAME B, PRESSURE BULKHEAD, ASSEMBLY							-	-	-	11/15
42850	E.G7.82.2801	Spares for:- ANGLE, clip mounting							1	L72	C	11/7
42851	E.G7.82.2802	ANGLE, clip mounting							1	L72	C	11/3
28D/9140644	A25/9C	Attaching parts for E.G7.82.2801 and E.G7.82.2802:- Bolt, 2 BA hex. head							2	-	C	11/9
28M/1278190	AGS.2001/C/1	Nut, stiff, 2 BA							2	-	C	11/8
21490	AS.2811/5/075	Tube, distance							2	L62	LM	11/11
28W/9419475	SP15/C	Washer, 2 BA plain							2	-	C	11/5

FRONT FUSELAGE STRUCTURE

Ref. No.	Part No.	Description							No. off	Matl. Spec.	Cl. of Equip. M.R. L.M.	Fig. and Index
		1	2	3	4	5	6	7				
26DK/36549*	KING A/C C17366								6	-	C	11/22
26DK/1484485	KING A/C 10.98.041								6	-	C	11/23
26DK/37085*	D17368								1	-	C	11/18
26DK/1484484	10.98.001								1	-	C	11/19
26DK/21752	D4957								1	-	C	11/24
26DK/2219*	KING A/C C5330X								4	-	C	11/37
26DK/36550*	KING A/C C17366X								4	-	C	11/38
26DK/1484486	KING A/C 10.98.042								4	-	C	11/39
26DK/37086	D17368X								1	-	C	11/40
26DK/21752	D4957								1	-	C	11/46
	42857								4	L72	B	11/27
26DK/2218*	KING A/C C5330								6	-	C	11/21
26DK/36549*	KING A/C C17366								6	-	C	11/22
26DK/1484485	KING A/C 10.98.041								6	-	C	11/23
26DK/37085*	D17368								1	-	C	11/18
26DK/1484484	10.98.001								1	-	C	11/19
26DK/21752	D4957								1	-	C	11/24
26DK/2219*	KING A/C C5330X								4	-	C	11/37
26DK/36550*	KING A/C C17366X								4	-	C	11/38
26DK/1484486	KING A/C 10.98.042								4	-	C	11/39
26DK/37086	D17368X								1	-	C	11/40
26DK/21752	D4957								1	-	C	11/46
	E.G7.10.777								1	-	-	12/37
	E.G7.10.783								1	L72	-	12/41
	E.G7.10.785								1	L72	-	12/44
	E.G7.10.787								1	L72	-	12/46
	E.G7.10.779								1	L72	-	12/42
	E.G7.10.791								2	L72	-	12/47
	E.G7.10.793								1	L72	-	12/45
	E.G7.10.794								1	L72	-	12/43
	E.G7.10.841								1	-	-	12/24
	E.G7.10.847								1	L72	-	12/6
	E.G7.10.849								1	L72	-	12/8
	E.G7.10.1417								2	EEJ96/18	-	12/5
	E.G7.10.1419								2	EEJ96/18	-	12/18

FUSELAGE

FRONT FUSELAGE STRUCTURE

Ref. No.	Part No.	Description							No. off	Matl. Spec.	Cl. of Equip. M.R. L.M.	Fig. and Index
		1	2	3	4	5	6	7				
	E.G7.10.857								1	L72	-	12/2
	E.G7.10.858								1	L72	-	12/1
	E.G7.10.1421								1	EEJ165/18	-	12/14
	E.G7.10.1423								1	EEJ165/18	-	12/22
	E.G7.10.859								1	L72	-	12/4
	E.G7.10.860								1	L72	-	12/3
	E.G7.10.861								1	L72	-	12/7
	E.G7.10.862								1	L72	-	12/10
	E.G7.10.971								2	L64	-	12/13
	E.G7.10.843								1	L72	-	12/19
	E.G7.10.851								1	L72	-	12/12
	E.G7.10.1687								1	L72	-	12/11
	E.G7.10.1689								1	L72	-	12/15
	E.G7.10.855								1	L63	-	12/23
	E.G7.10.1691								1	EEJ123	-	12/20
	E.G7.10.1692								1	EEJ123	-	12/17
	E.G7.10.1693								2	L72	-	12/21
	E.G7.10.1695								2	L72	-	12/26
	E.G7.10.1697								1	L72	-	12/16
	E.G7.10.845								1	L72	-	12/9
	E.G7.10.1059								1	L72	-	12/35
26DK/3358*	KING A/C C7809								10	-	C	12/39
26DK/1484492	KING A/C 10.98.011								10	-	C	12/40
	E.G7.10.1061								1	L72	-	12/31
	E.G7.10.1063								1	L72	-	12/29
	E.G7.10.1060								1	L72	-	12/36
26DK/3358*	KING A/C C7809								10	-	C	12/39
26DK/1484492	KING A/C 10.98.011								10	-	C	12/40
	E.G7.10.1062								1	L72	-	12/32
	E.G7.10.1064								1	L72	-	12/30
	E.G7.10.1065								2	L72	-	12/38
26DK/3358*	KING A/C C7809								10	-	C	12/39
26DK/1484492	KING A/C 10.98.011								10	-	C	12/40
	E.G7.10.1067								1	L72	-	12/33
	E.G7.10.1069								1	L72	-	12/34
	E.G7.10.1066								2	L72	-	12/25
26DK/3358*	KING A/C C7809								10	-	C	12/39
26DK/1484492	KING A/C 10.98.011								10	-	C	12/40

FUSELAGE

FRONT FUSELAGE STRUCTURE

Part Number	Description	No. Off	Matl. Spec.	Plate No.
EG7.10.1068 LANDING	1	L72	12/28
EG7.10.1070 PLATE, reinforcing	1	L72	12/27
EG7.10.1203 SKIN, upper, frame, 'B' to 'C', port	1	L72	13/11
EG7.10.1204 SKIN, upper, frame, 'B' to 'C', starboard	1	L72	13/12
EG7.10.1205 SKIN, centre, frame, 'B' to 'C', port	1	L72	13/14
EG7.10.1206 SKIN, centre, frame, 'B' to 'C', starboard	1	L72	13/13
EG7.10.1597 SKIN, lower, frame 'B' to 'C', port	1	L72	13/20
EG7.10.1598 SKIN, lower, frame 'B' to 'C', starboard	1	L72	13/23
EA1.10.1131 or PIECE, distance	21	T4	13/4
EA3.10.6413 PIECE, distance	21	-	
EA1.10.1133 or PIECE, distance	13	T4	13/8
EA3.10.6411 PIECE, distance	12	-	
EA3.10.3821 PLATE, nut, navigator's lamp mounting bracket	1	S3 or S82	13/9
EA3.10.3247 PLATE, access, door hinge and jettison mechanism inspection pressure sealing	1	-	5/20
R EA3.10.2917 SCREW, 1/4 BSF 120° csk. head, navigator's hatch (Pre Mod.5101) (Pre Alt.R60/44)	68	S96	13/22
EA3.10.153 SEAL, inner, navigator's window	1	Natural Rubber	13/1
EA3.10.155 SEAL, outer, navigator's window	1	Natural Rubber	13/2
EA3.10.549 SEAL, pressure, navigator's escape hatch	1	BTR8853	13/21
EA1.10.1171 SEAL, door, pressure cabin entrance	1	BTR8853	5/41
EA3.10.651 SHIM, escape hatch steady arm	76	L72	3/6
EA3.10.2549 SHIM, escape hatch steady arm	8	-	3/19
R - SKINNING, PRESSURE BULKHEAD TO TRANSPORT JOINT FRAME 12, ASSEMBLY (EG7.10.13)	-	-	13/19
EB6.10.1509 ALTS. TO FRONT FUSELAGE SKINNING (Mod.4947)	-	-	13/10
EB6.10.1505 BOLT, special Spares for:	28	S98	13/26
EA1.10.187 DOOR, ACCESS, VHF MAIN ELECTRICAL PANEL AND GROUND FLIGHT SWITCH, GROUP (Supplied to Pt.No.EA3.00.151 for spares purposes) Spares for:	2	-	13/24
R AS2850P LOCK, L.H., FLUSH TYPE, ASSEMBLY Spares for:	1	-	13/15
AS2552 HANDLE	1	-	13/16
R FGS50 or KEY	1	-	
R FFE4				
R AS1248/1/8 Bolt, 4BA mushroom head	4	-	13/33
A33/B20 Screw, 4BA c'sk head	11	-	13/17
EA1.10.1919 SEAL, section (Make from EEAS141/1 Ref.12713)	1	S/H 40-45	13/32
EA1.10.1815 STAY, door	1	-	13/28
EA3.10.2805 STOWAGE, DOOR SUPPORT STRUT, ASSEMBLY Spares for:	1	-	13/29
R EA3.10.2809 PLATE, stiffening	1	L73	13/30

FUSELAGE
FRONT FUSELAGE STRUCTURE

Part Number	1 2 3 4 5 6	Description	No. Off	Matl. Spec.	Plate No.
EA3.10.2807		STRAP	1	-	13/31
EEAS27/27/DU		WASHER, for door stay attachment	1	S515	13/27
EA1.10.1033		PLUG, forward jacking point housing	1	L40	13/7
EEAS1/3C		SCREW, 2BA 120° c'sk head	24	S96	13/25
-		STRUCTURE, PRESSURE BULKHEAD TO FRAME 12, ASSEMBLY (EG7.10.15)	-	-	14/6
		Spares for:			
R EA3.10.6375		CLEAT	1	-	
-		FRAME "12A", JOINT, FORWARD PORTION, ASSEMBLY (EA1.10.55)	-	-	14/7
		Spares for:			
EA3.71.389		BEAM, oxygen bottle mounting	2	-	14/8
EA1.10.909		BRACKET, door lock, starboard (Supplied to Part No. EA3.00.596 for spares purposes)	1	-	14/63
EA1.10.1621		BRACKET, door lock, port	1	-	14/68
EA6.10.775		BRACKET, oxygen cylinder cradle	2	-	14/14
EA3.71.403		BRACKET, oxygen mounting beam	7	-	14/9
EA1.10.557		BRACKET, strut pick-up	1	-	14/19
EA3.10.6571		BRACKET (Note: still used on A/C with front fuselage married up)	1	-	
EA1.10.1179		BRACKET (Note: used on A/C with front fuselage de-married)	1	-	
EA3.10.2447		GUARD, assembly	1	-	14/42
EA3.10.3353		GUARD, assembly	1	-	14/67
		Attaching parts for EA3.10.2447 and EA3.10.3353:			
A32/C16		Screw, 2BA round head	4	-	14/43
		INSTALLATION OF ATTACHMENT LUG BOLTS (EA3.10.6573) (Alt.R60/301 Mod.5101)	-	-	
		Spares for:			
EA1.10.1177		PLATE, tie (Pre Alt.R60/301 Mod.5101)	1	-	
EA3.10.6575		PLATE, tie (Alt.R60/301 Mod.5101)	1	-	
EA3.10.2455		PLATE, reinforcing (Pre Alt.R60/301 Mod.5101)	1	-	
EA3.10.6577		PLATE, reinforcing (Alt.R60/301 Mod.5101)	1	-	
EA6.10.1815		PLATE, reinforcing (Pre Alt.R60/301 Mod.5101)	1	-	
EA3.10.6579		PLATE, nut (Alt.R60/301 Mod.5101)	1	-	
		Attaching parts:			
AS1242/2C		Boit, c'sk head, 2BA	3	-	
AGS2019/C1		Nut, anchor	3	-	

FUSELAGE
FRONT FUSELAGE STRUCTURE

Ref. No.	Part No.	Description							No. off	Matl. Spec.	Cl. of Equip. M.R. L.M.	Fig. and Index
		1	2	3	4	5	6	7				
R 4692	E.A3.10.3161								1	—	B	14/53
R 6051447	EK5.10.803								1	—	B	
R 15792	E.A3.10.3149								1	—	C	14/65
R 15793	E.A3.10.3159								1	—	C	14/57
R 32399	E.A3.10.3219								1	S.96	C	14/59
R 28M/5808571	A27/GS								1	—	C	14/62
R 28P/9527619	SP90/C7								1	—	C	14/66
R 28W/9419476	SP15/G								1	—	C	14/61
R 21906	EA1.10.1407								1	—	C	14/60
R 6051448	E.K5.10.805								1	—	B	14/56
R 34103	E.A3.10.3150								1	—	C	14/49
R 23400	E.A3.10.3335								1	8	C	14/55
R 32999	E.A3.10.3219								1	S.96	C	14/58
R 28M/5808571	A27/GS								1	—	C	14/48
R 28P/9527619	SP90/C7								1	—	C	14/46
R 28W/9419476	SP15/G								1	—	C	14/54

FUSELAGE
FRONT FUSELAGE STRUCTURE

Ref. No.	Part No.	1 2 3 4 5 6 7	Description	No. off	Mati. Spec.	Cl. of Equip. M.R. L.M.	Fig. and Index

FUSELAGE

FRONT FUSELAGE STRUCTURE

Part Number	Description						No. Off	Matl. Spec.	Plate No.
	1	2	3	4	5	6			
-	STIFFENER, VERTICAL, CENTRE, PORT, ASSEMBLY (E.A3.10.3205) (MOD.1740) Spares for:-	-	-	14/34
ASD.292.RS/1	ANGLE, inner, joint (Repair) (Make from EE.J.270. Ref. 7109)	1	L72	14/36
E.A3.10.3197	CHANNEL	1	-	14/51
ASD.292.RS/5P	INSERTION, channel, port (Repair) (Make from E.A3.10.3197 Ref.22325)	1	-	14/41
ASD.292.RS/6P	INSERTION, plate, reinforcing (Repair) (Make from E.A3.10.3201 Ref.22327 or 30B/9611240)	1	L73	14/52
ASD.292.RS/4P	STRAP, joint, forward, outer, port (Repair) (Pre Mod.856)	1	-	14/39
ASD.292.RS/4P	STRAP, joint, forward, outer, port (Repair) (Mod. 856)	1	-	14/40
ASD.292.RS/3	STRAP, joint, forward, leveller, 14 SWG (Repair) (Make from 30B/9611242)	1	L73	14/38
ASD.292.RS/2	STRAP, joint, aft, 14 SWG (Repair)	1	S514	14/37
-	STIFFENER, VERTICAL, CENTRE, PORT, ASSEMBLY (E.A9.10.4545) (Mod. 1740) Spares for:-	-	-	14/45
E.A3.10.3197	CHANNEL	1	-	14/47
E.A9.10.4439	PLATE, reinforcing (Mod.1740)	1	-	14/50
-	STIFFENER, VERTICAL, CENTRE, STARBOARD, ASSEMBLY (E.A3.10.3206) Spares for:-	-	-	14/18
ASD.292.RS/1	ANGLE, inner, joint (Repair) (Make from EE.J.270 Ref. 7109)	1	L72	14/27
E.A3.10.3199	CHANNEL	1	-	14/26
ASD.292.RS/5S	INSERTION, channel, starboard (Repair) (Make from E.A3.10.3199 Ref. 22326)	1	-	14/32
ASD.292.RS/6S	INSERTION, plate reinforcing (Repair) (Make from E.A3.10.3203 Ref. 22328 or 30B/9611240)	1	L73	14/33

R

FUSELAGE

FRONT FUSELAGE STRUCTURE

Part Number	Description						No. Off	Mtl. Spec.	Plate No.
	1	2	3	4	5	6			
E.A3.10.3203	PLATE, reinforcing	1	L73	14/25
ASD.292.RS/4S	STRAP, joint, forward, outer, starboard (Repair) (Pre-Mod. 856)	1	-	14/30
ASD.292.RS/4S	STRAP, joint, forward, outer, starboard (Mod. 856)	1	-	14/31
ASD.292.RS/3	STRAP, joint, forward, leveller, 14 SWG (Repair) (Make from 30B/9611242)	1	L73	14/29
ASD.292.RS/2	STRAP, joint, aft, 14 SWG (Repair)	1	S514	14/28
E.A3.10.3223	STRUT, bracing, assembly Attaching parts for E.A3.10.3223:-	2	-	14/20
A25/6E	Bolt, 1/4" BSF hex. head	2	-	14/21
A27/EP	Nut, 1/4" BSF plain	2	-	14/22
AP15/E	Washer, 1/4" BSF plain	1	-	14/23
AP16/E	Washer, 1/4" BSF plain	1	-	14/24
-	WALL, WHEEL WELL, PORT, ASSEMBLY (E.G7.10.539) Spares for:-	-	-	14/44
-	DOOR, ACCESS, CABIN AIR PRESSURE NON-RETURN VALVE, INSTALLATION (E.G7.10.433) Spares for:-	-	-	14/12
E.G7.10.469	PACKING	1	L72	14/5
E.G7.10.467	PIECE, reinforcing	1	L72	14/4
E.G7.00.265	PLATE, cover, assembly (E.G7.10.461) Attaching parts for E.G7.00.265:-	1	-	14/3
A25/2C	Bolt, 2 BA hex. head	27	-	14/1
SP15/C	Washer, 2 BA plain	27	-	14/2
E.A1.10.1345	SOCKET, front frame entrance door bolt	1	L40	5/18
E.A1.10.1347	SOCKET, rear frame entrance door bolt Attaching parts for E.A1.10.1345 and E.A1.10.1347:-	1	L40	5/19
AS.1242/4C	Bolt, 2 BA c'sk head	2	-	5/16
AS.1242/5C	Bolt, 2 BA c'sk head	2	-	5/17
AGS.2001/C/1	Nut, stiff, 2 BA	4	-	5/2
E.A3.10.3255	STRAP, main door jettison handle stowage	1	-	5/21
-	STRUCTURE, SUPPORT, "STAND-OFF" MAST, ASSEMBLY (E.G7.10.1355) Spares for:-	-	-	14/13
E.G7.10.1367	ANGLE, attachment	2	L72	14/15
A25/1C	BOLT, 2 BA hex. head	4	-	14/16
A27/CP	NUT, 2 BA plain	4	-	14/17
E.G7.10.1343	PLATE, adaptor	1	L44	14/10
SP15/C	WASHER, 2 BA plain	4	-	14/11
E.A3.10.7	STRUCTURE, PRESSURE CABIN	1	-	
E.A3.10.1813	CASTING, HINGE ASSEMBLY (Mod. 5028)	1	-	
E.A3.10.1815	CASTING, HINGE ASSEMBLY (Mod. 5028)	1	-	
E.A3.10.279	FRAME, 7A, Port assembly (Alt. R60/88)	1	-	
E.A3.10.281	FRAME, 8A, Port assembly (Alt. R60/88)	1	-	
E.A3.10.282	FRAME, 8A, Stbd. assembly (Alt. R60/88)	1	-	
E.A3.10.283	FRAME, 9A, Port assembly (Alt. R60/88)	1	-	
E.A3.10.284	FRAME, 9A, Stbd. assembly (Alt. R60/88)	1	-	

FUSELAGE
CENTRE FUSELAGE

Part Number	Description	No. Off	Mtl. Spec.	Plate No.
EG7.00.43	CENTRE FUSELAGE ASSEMBLY	-	-	15/39
-	ALTERATIONS TO CENTRE FUSELAGE (EG7.00.5033) (Mod.5466)	-	-	REF
	Spares for:-			
EG7.11.15	. BOMB BAY PACK, INSTALLATION (See page C1)	-	-	
EG7.75.5	. CABIN PRESSURE SYSTEM (See page NE1)	-	-	
EA1.47.125	. CONTROLS, ENGINE (see page DE1)	-	-	
EA3.45.379	. CONTROLS, FLYING (See page DJ1)	-	-	
EG7.81.1607	. ELECTRICAL EQUIPMENT (See page E1)	-	-	
EG7.60.1	. FIRE PROTECTION SYSTEM (See page NR1)	-	-	
EG7.57.5	. FUEL SYSTEM (See page NS1)	-	-	
EG7.45.9	. GEAR, EMERGENCY RELEASE, UNDERCARRIAGE, ASSEMBLY	-	-	15/31
	Spares for:-			
EA3.45.281	. . CABLE, AFT CONTROL, EMERGENCY RELEASE GEAR, UNDERCARRIAGE, ASSEMBLY Consisting of:-	1	-	15/38
SP8Y/13	. . . ROLLER	2	-	15/44
EA1.45.905	. . . TUBE, 5/16" o/d x 30 SWG (Make from 30B/1786)	1	T4	15/7
W9/4P	. . . WIRE, rope, 5 cwt	1	W/94	15/37
EA1.45.1211	. . CLEAT, fairlead attachment at frame 13 Attaching parts for EA1.45.1211:-	2	-	15/36
A25/4C	. . Bolt, 2BA hex. head	1	-	15/40
AGS2001/C/1	. . Nut, stiff, 2BA	1	-	15/42
SP15/C	. . Washer, 2BA plain	1	-	15/41
AGS899/1	. . COLLAR	1	-	15/5
EA1.45.879	. . FAIRLEAD, single, undercarriage emergency release gear control cable Attaching parts for EA1.45.879:-	1	LFS21	15/11
A25/5C	. . Bolt, 2BA hex. head	2	-	15/9
AGS2001/C1	. . Nut, stiff, 2BA	2	-	15/3
EA1.45.1123	. . FAIRLEAD, double, undercarriage emergency release gear control cable Attaching parts for EA1.45.1123:-	1	LFS21	15/35
A25/5B	. . Bolt, 4BA hex. head	2	-	15/32
AGS2001/B/1	. . Nut, stiff, 4BA	2	-	15/34
SP15/B	. . Washer, 4BA plain	2	-	15/33
SP3/412	. . FORK, joint, undercarriage emergency release gear control cable connection	1	-	15/43
SP3/412L	. . FORK, joint, undercarriage emergency release gear control cable connection	1	-	15/45
SP4Y/A3	. . PIN, connecting, undercarriage emergency release gear control cable fork joint	2	-	15/47
SP4Y/A4	. . PIN, connecting, undercarriage emergency release gear control cable fork joint	1	-	15/8

FUSELAGE
CENTRE FUSELAGE

Part Number	Description	No. Off	Matl. Spec.	Plate No.
EG7.45.101	. . . PULLEYS, UNDERCARRIAGE EMERGENCY RELEASE GEAR, ASSEMBLY Spares for:	-	-	15/27
EA1.45.839	. . . BRACKET, pulley	1	-	15/10
EA1.45.841	. . . BRACKET, half, top, pulley	1	L72	15/21
EA1.45.843	. . . BRACKET, half, bottom, pulley Attaching parts for EA1.45.841 and EA1.45.843:	1	L72	15/29
A25/1C	. . . Bolt, 2BA hex. head	3	-	15/23
AGS2001/C/1	. . . Nut, stiff, 2BA	3	-	15/24
SP15/C	. . . Washer, 2BA plain	3	-	15/22
EA1.45.1005	. . . BRACKET, pulley	1	-	15/28
EA1.45.863	. . . FAIRLEAD Attaching parts for EA1.45.863:	1	LFS21	15/12
A25/9C	. . . Bolt, 2BA hex. head	2	-	15/2
AGS2001/C/1	. . . Nut, stiff, 2BA	2	-	16/15
AS108	. . . PULLEY, c/w shroud Attaching parts for AS108:	2	-	15/30
A25/11E	. . . Bolt, 1/4" BSF hex. head (as required)	1	-	15/25
A25/20E	. . . Bolt, 1/4" BSF hex. head (as required)	1	-	15/16
AGS2001/E/1	. . . Nut, stiff, 1/4" BSF	1	-	15/26
EA1.45.837	. . . Packing (as required)	1	-	15/18
SP15/E	. . . Washer, 1/4" BSF plain	1	-	15/20
AS1151	. . . PULLEY, c/w shroud Attaching parts for AS1151:	1	-	15/13
A25/13E	. . . Bolt, 1/4" BSF hex. head	1	-	15/1
AGS2001/E/1	. . . Nut, stiff, 1/4" BSF	1	-	15/19
EA1.45.845	. . . Packing	1	-	15/6
SP15/E	. . . Washer, 1/4" BSF plain	1	-	15/17
EEAS28/53HR	. . . Washer	1	L72	15/4
EA1.45.1311	. . . Washer, special	1	-	15/14
SP8Y/1	. . . ROD, tension, undercarriage emergency release gear cable	1	-	15/46
AS4561/2	. . . TAB, locking (SEM041) (SAS4745)	2	-	
5E/5253563	. . . WIRE, copper, enamelled (SEM041) (SAS4745)	QR	-	
EG7.73.5	. . . HYDRAULIC EQUIPMENT (See page NG1)	-	-	
EG7.79.9	. . . NITROGEN PRESSURISING WAVE GUIDES IN BOMB BAY (See page NAH1)	-	-	
-	. . . PANEL, ACCESS, ARMAMENT SAFETY BREAK, ASSEMBLY (EG7.81.353) Spares for:	-	-	16/13
WARD BROOKE WB/UN/1146/S/5W	. . . BLOCK, terminal, 5-way Attaching parts for WB/UN/1146/S/5W:	1	-	16/29
AGS2001/B/1	. . . Nut, stiff, 4BA	2	-	16/43
WARD BROOKE WB/1114/28	. . . Pillar, fixing	2	-	16/45
WARD BROOKE WB/NY/1110/B4	. . . COVER, terminal block	1	-	16/44

FUSELAGE
CENTRE FUSELAGE

Part Number	Description	No. Off	Matl. Spec.	Plate No.
EG7.81.3217 PANEL, ACCESS, ASSEMBLY Spares for:	1	-	16/19
A4/35 FASTENER, dzus	8	-	16/8
GA4/250 GROMMET, dzus	8	-	16/7
EB6.81.5259 LANYARD, assembly	1	-	16/5
EEAS550/5 PLATE, terminal ident.	1	L73	16/30
EG7.81.365 PLUG, SHORTING, ASSEMBLY Consisting of:	1	-	16/17
EF3.81.11881 CAP, protective	1	L59	16/25
- CONNECTIONS, SHORTING PLUG, ASSEMBLY (EG7.81.387) Consisting of:	-	-	16/20
R 5E/9994047 CABLE, unifersil 16	QR	-	16/26
508/2/04368 FILLER, plug	1	-	16/23
508/2/04548/001 PIN, plug, 12/16	9	-	16/27
R 2Z139627 SLEEVE, sealing, red	8	-	16/22
EG7.81.451 LANYARD, ASSEMBLY Consisting of:	1	-	16/42
A.M.P.34318 CONNECTOR, parallel	2	-	16/31
AGS796/B EYE-BOLT, 4BA	1	-	16/34
R 26DK/2381 LINE, nylon 66, 3/32" dia. x 14" long	QR	-	16/47
EB6.81.4027 PENNANT, "ARMAMENT SAFETY BREAK", ASSEMBLY Consisting of:	1	-	16/53
EB6.81.4029 PENNANT	1	Black Duck	16/54
EB6.81.4049 POUCH, assembly	1	Black Duck	16/52
R EF3.81.11889 RING, lanyard attachment	1	DTD189	16/21
EEAS146/20 SLEEVE, 1½" long	QR	-	16/40
EF3.81.13155 NUT, modified outlet	1	-	16/24
690(ET)16-9P PLUG, free, 9-way, Mk.6	1	-	16/28
M.A.M. SLEEVE, 3 mm i/d x 3/8" long, pink	5	C x H	16/48
S4/200 SPRING, dzus	8	-	16/6
R 5CW/1057538 SWITCH, magnetic relay, type 20B, No.3 Attaching parts for 5CW/1057538:	1	-	16/15
A31/B36 Screw, 4BA cheese head	4	-	16/14
EB6.81.4031 SWITCH, ISOLATING AND HOUSING, ASSEMBLY Spares for:	1	-	16/33
EB6.81.4033 HOUSING, isolating switch, assembly	1	S510	16/41

FUSELAGE
CENTRE FUSELAGE

Part Number	1 2 3 4 5 6	Description	No. Off	Matl. Spec.	Plate No.
DOWTY C1831/Y Mk.1		SWITCH, micro, type 101C Attaching parts for C1831/Y Mk.1:	1	-	16/37
A25/11C		Bolt, 2BA hex. head	3	-	16/51
AGS2002/C/1		Nut, stiff, 2BA	3	-	16/38
SP13/C		Washer, 2BA plain Attaching parts for EB6.81.4031:	3	-	16/39
A25/1B		Bolt, 4BA hex. head	2	-	16/46
AGS2001/B/1		Nut, stiff, 4BA	2	-	16/50
SP13/B		Washer, 4BA plain	2	-	16/49
-		WIRING, AND CLIPPING, ARMAMENT SAFETY BREAK, ASSEMBLY (EG7.81.381) Spares for:	-	-	16/9
R 5E/9467424		CABLE, uninyvin 20	QR	-	16/12
HELLERMANN HT0813/6B		CLIP, 'P' Attaching parts for HT0813/6B:	1	-	16/11
A25/2B		Bolt, 4BA hex. head	1	-	16/10
EEAS238/1A		Washer, 'D'	1	L72	16/4
HELLERMANN EE11/2		EXTRUSION, section	QR	-	16/2
HC1350		FERRULE	2	-	16/32
EEAS146/12		SLEEVE, 3/4" long	QR	-	16/18
WARD BROOKE WB/1114/22		SPACER, cable	1	-	16/36
HV3254		STRAPPING	QR	-	16/1
OP3255		STUD	QR	-	16/3
HC294		TAG, ring tongue	2	-	16/35
HC296		TAG, ring tongue	2	-	16/16
-		STOWAGE, ENGINE CARTRIDGE, INSTALLATION (EG7.80.1661) Spares for:	-	-	17/2
R 12K/9632710		CARTRIDGE, engine starter, No.9	6	-	17/3
R EA3.83.161		MOUNTING, ENGINE CARTRIDGE, ASSEMBLY (Pre SAS4745)	1	-	17/10
R EA4.83.89		MOUNTING, ENGINE CARTRIDGE, ASSEMBLY (SAS4745)	1	-	
EA3.83.163		BRACKET, CARTRIDGE MOUNTING, ASSEMBLY Spares for:	6	-	17/1
EA3.83.55		BAND, wire	1	-	17/4
EA3.83.53		CLIP, assembly	1	-	17/11
R FIG.1		PIECE, extension, L.H. (Com.Mod.0527)	1	-	
R FIG.1		PIECE, extension, R.H. (Com.Mod.0527)	1	-	
R 28X/4675036		WIRE, steel, 18 SWG x 6'0" long (Com.Mod.0527)	QR	-	

FUSELAGE

CENTRE FUSELAGE

Part Number	Description	No. Off	Matl. Spec.	Plate No.
EG7.80.1651	. STOWAGE, PERSONAL LUGGAGE, ASSEMBLY (Pre Mod 5466) Spares for:—	—	—	17/6
EG7.80.1619	. . ANGLE (Make from Ref. 4475) Attaching parts for EG7.80.1619:—	1	EEDX68	17/40
A25/2C	. . Bolt, 2 BA hex. head	6	—	17/22
AGS2001/C/1	. . Nut, stiff, 2 BA	6	—	17/23
SP13/C	. . Washer, 2 BA plain	6	—	17/24
EG7.80.1621	. . ANGLE (Make from Ref. 4475)	2	EEDX68	17/35
EG7.80.1625	. . ANGLE (Make from Ref. 4475)	4	EEDX68	17/41
EG7.80.1627	. . ANGLE (Make from Ref. 4475) Attaching parts for EG7.80.1621, EG7.80.1625 and EG7.80.1627:—	4	EEDX68	17/39
A25/1C	. . Bolt, 2 BA hex. head (as required)	24	—	17/42
AGS2001/C/1	. . Nut, stiff, 2 BA	24	—	17/43
SP13/C	. . Washer, 2 BA plain	24	—	17/44
EG7.80.1639	. . BOOM, tee Attaching parts for EG7.80.1639:—	1	EEDX37	17/15
A25/2C	. . Bolt, 2 BA hex. head	6	—	17/19
AGS2001/C/1	. . Nut, stiff, 2 BA	6	—	17/20
SP13/C	. . Washer, 2 BA plain	6	—	17/21
EG7.80.1657	. . BRACKET Attaching parts for EG7.80.1657:—	4	L72	17/13
AS1242/1-1/2B	. . Bolt, 4 BA c'sk head	2	—	17/16
AGS2001/B/1	. . Nut, stiff, 4 BA	2	—	17/17
SP13/B	. . Washer, 4 BA plain	2	—	17/18
EG7.80.1623	. . CLEAT, tee Attaching parts for EG7.80.1623:—	1	EEDX105	17/29
A25/2C	. . Bolt, 2 BA hex. head	2	—	17/33
A25/3C	. . Bolt, 2 BA hex. head	2	—	17/30
AGS2001/C/1	. . Nut, stiff, 2 BA	4	—	17/31
SP13/C	. . Washer, 2 BA plain	4	—	17/32
EG7.80.1649	. . CLEAT, tee Attaching parts for EG7.80.1649:—	6	EEDX105	17/27
A25/1C	. . Bolt, 2 BA hex. head	2	—	17/26
A25/2C	. . Bolt, 2 BA hex. head	2	—	17/36
AGS2001/C/1	. . Nut, stiff, 2 BA	2	—	17/37
SP13/C	. . Washer, 2 BA plain	2	—	17/38
EG7.80.1643	. . INTERCOSTAL (Make from Ref. 4475)	1	EEDX68	17/28
EG7.80.1645	. . INTERCOSTAL (Make from Ref. 4475)	1	EEDX68	17/14
EG7.80.1647	. . INTERCOSTAL (Make from Ref. 4475)	1	EEDX68	17/12
EG7.80.1633	. . PLATE	1	L72	17/5
EG7.80.1635	. . PLATE Attaching parts for EG7.80.1633 and EG7.80.1635:—	1	L72	17/25
A25/3C	. . Bolt, 2 BA hex. head	6	—	17/7
AGS2001/C/1	. . Nut, stiff, 2 BA	6	—	17/8
SP13/C	. . Washer, 2 BA plain	6	—	17/9
EG7.80.1653	. . STRAP, assembly	4	DTD5505	17/34
EG7.11.1	. STRUCTURE, CENTRE FUSELAGE (See page HC1)	—	—	
EG7.75.229	. SUIT, AIR VENTILATED (See page ND1)	—	—	

FUSELAGE
CENTRE FUSELAGE

Part Number	Description 1 2 3 4 5 6	No. Off	Matl. Spec.	Plate No.

FUSELAGE
CENTRE FUSELAGE STRUCTURE

Ref. No.	Part No.	Description	No. off	Matl. Spec.	Cl. of Equip. M.R. L.M.	Fig. and Index
	E.G7.11.1	STRUCTURE, CENTRE FUSELAGE, ASSEMBLY	1	—	—	18/8
5198	E.A3.11.249	Spares for:— BLOCK, support, No. 1 fuel tank, port	1	—	C	18/1
28S/1215861	AGS.894/92	Attaching parts for E.A3.11.249:— Woodscrew	5	—	C	18/3
5199	E.A3.11.250	BLOCK, support, No. 1 fuel tank, starboard	1	—	C	18/12
28S/1215861	AGS.894/92	Attaching parts for E.A3.11.250:— Woodscrew	5	—	C	18/13
13091	E.A3.11.655	BOLT, special (Make from A25/4E)	10	—	C	18/22
7275	E.A3.11.677	BOLT, special (Make from A25/4C)	10	—	C	18/6
1438951	E.A1.11.1603	BOLT, special, attachment, bulkhead to floor girder at frame 17	2	S11	C/MR	18/11
1438952	E.A1.11.1605	BOLT, special, attachment, bulkhead to floor girder at frame 17	2	S11	C/MR	18/24
3503	E.A3.11.15	BULKHEAD, rear, fuel tank	1	—	A	18/5
4773	E.A1.11.3551	BULKHEAD, fuel tank at frame 17	1	—	A	18/9
	E.A1.11.5	KEEL UNIT, GROUP	1	—	—	18/14
		Spares for:—				
255	E.A1.11.1007	BRACKET, HINGE, UNDERCARRIAGE DOOR MOUNTING, ASSEMBLY	2	—	C	18/10
		Spares for:—				
256	E.A1.11.1013	BUSH	2	—	C	18/4
7344	E.A1.11.1009	BRACKET, valve mounting, undercarriage door operating	1	—	C/MR	18/18
257	E.A1.11.1011	BRACKET, hinge, undercarriage door mounting, aft port	1	L73	C	18/2
258	E.A1.11.1012	BRACKET, hinge, undercarriage door mounting, aft starboard	1	L73	C	18/7
3082	E.A1.11.427	DOOR, ACCESS, ACCUMULATOR COMPARTMENT, GROUP	1	—	B	18/15
		(Supplied to Pt. No. E.A3.00.153 for spares purposes)				
		Spares for:—				
259	E.A1.11.463	CLIP, door stay stowage	2	Spring Steel	C	18/26
1495	FAIREY FS.400A	FASTENER, door	3	—	C	18/17
4152	E.A1.11.2793	HINGE, door	1	—	C/MR	18/27
1569	E.A1.11.2799	SEALING, door (Make from Ref. 2060 or 12713)	1	—	C	18/16
260	E.A1.11.429	STAY, SIDE DOOR, GROUP	2	—	B	18/28
		Spares for:—				
12081	E.A1.11.441	BOLT, eye, special anchor, side stay	2	S1	C	18/23
3684	E.A1.11.445	FORK, stay, door support	2	S1	C	18/25
	E.A1.11.2801	STRIP, attachment sealing	2	L72	LM	18/21
5437	E.A1.57.1319	FAIRLEAD, for air pipes at frame 22	2	LFS21	C/MR	18/19

FUSELAGE
CENTRE FUSELAGE STRUCTURE

Ref. No.	Part No.	Description	No. off	Matl. Spec.	Cl. of Equip. M.R. L.M.	Fig. and Index
5346	E.A1.57.1325 E.A3.11.7	FAIRLEAD, for fuel pipes	2	LFS21	C/MR	18/20
		KEEL UNIT, STRUCTURE, ASSEMBLY	—	—	—	19/12
		Spares for:—				
7413	E.A1.11.317	BEAM, bomb	1	—	A/MR	19/8
7507	E.A1.11.1769	BEAM, floor, between frames 14 and 15, port ..	1	—	B/MR	19/18
7508	E.A1.11.1777	BEAM, floor, between frames 14 and 15, starboard	1	—	B/MR	19/11
7425	E.A1.11.3213	BOLT, special, fixing bomb beam to main spar girder (port only)	2	MS	C	19/20
	E.G7.11.1001	BULKHEAD, FRAME 13, BOMB BAY,	1	—	A/MR	19/22
		ASSEMBLY ALTERATIONS				
		Spares for:—				
	E.G7.11.425	SEALING, STRIP, ASSEMBLY	1	—	—	19/24
		Spares for:—				
	E.G7.11.429	SEAL, 76".5 long (Make from Ref. 4431)	QR	—	LM	19/26
	E.G7.11.433	STRIP, capping	1	EEJ31	—	19/27
	E.G7.11.1049	BULKHEAD, FRAME 29, BOMB BAY, ASSEMBLY ALTERATIONS	1	—	MR	19/17
		Spares for:—				
	E.A3.11.853	DOOR, ACCESS, BOMB BAY INSPECTION, ... ASSEMBLY	—	—	—	19/25
		Spares for:—				
12229	E.A3.11.859	BRACKET, access door hinge, R.H.	1	L40	C	19/30
12230	E.A3.11.860	BRACKET, access door hinge, L.H.	1	L40	C	19/32
12227	E.A3.11.855	DOOR, ACCESS, GROUP	1	—	B	19/28
		Spares for:—				
28FP/9713920	A411	PIN, "pip", quick release	1	—	C	19/23
12228	E.A3.11.867	RING, sealing	1	Neo-K-Tex	C	19/31
23028	E.A3.11.861	SHIM, access door hinge	2	—	C	19/33
R	7399	FLOORGIRDERS AT FRAME 27A & 27B	1	—	—	29/1
		Spares for:—				
R	E.A3.11.1021	PLATE, reinforcing, 14 SWG	1	L72	—	29/2
R	E.A3.11.1023	PLATE, reinforcing, 14 SWG	1	L72	—	29/3
R	E.A3.11.1025	PLATE, reinforcing, 20 SWG	1	L72	—	29/4
	4745	FRAME, ACCUMULATOR DOOR, GROUP	1	—	B	19/10
		Spares for:—				
	3652	BRACKET	1	L72	C	19/5
	263	GLASS, camera frame	1	—	C	19/3
	265	PLATE, cover, camera window	1	L73	C	19/6
	4266	RING, reinforcing, camera opening	1	—	C/MR	19/4
	266	RING, retaining, camera window	1	L72	C	19/1
	5322	STRUT, support, bomb door track at frame 22 ..	2	—	B/MR	19/2
	4476	TRACK, bomb door main spar, port	1	—	B/MR	19/14
	4477	TRACK, bomb door main spar, starboard	1	—	B/MR	19/7
	3406	PLUG, sealing	1	Sorbo Rubber	C	19/29
	1025	SCREW, 2 BA 120° c'sk head	9	S96	C	19/15
	1565	SCREW, 2 BA 120° c'sk head	92	S96	C	19/16
	1561	WASHER, 14 SWG	2	L72	C	19/19
	1562	WASHER, 16 SWG	3	L72	C	19/9
	1563	WASHER, 16 SWG	3	L72	C	19/21
	1564	WASHER, 16 SWG	14	L72	C	19/13

FUSELAGE

CENTRE FUSELAGE STRUCTURE

Part Number	Description	No. Off	Matl. Spec.	Plate No.	
					1
EG7.11.1531	MODS TO CENTRE FUSE EXTERNAL SKINNING (Mod.4947) Spares for:—	—	—	20/35	
EG7.11.1553	PANEL, external skin forward	1	—	20/34	
EB6.11.5161	PLATE, access cover Attaching parts for EB6.11.5161:—	1	L73	20/21	
EEAS1/2-1/2C	Screw, 2BA 120° c'sk head	24	S96	20/20	
EB6.11.5163	PLATE, access cover, assembly Attaching parts for EB6.11.5163:—	1	—	20/15	
EEAS1/2-1/2C	Screw, 2BA 120° c'sk head	24	S96	20/17	
EB6.11.5159	PLATE, access cover Attaching parts for EB6.11.5159:—	1	L73	20/18	
EEAS1/2-1/2C	Screw, 2BA 120° c'sk head	24	S96	20/13	
EB6.11.5165	PLATE, filler cap cover Attaching parts for EB6.11.5165:—	3	L73	20/1	
EEAS1/2C	Screw, 2BA 120° c'sk head	32	S96	20/6	
EG7.11.501	ROOF UNIT, ALTERATIONS Spares for:—	1	—	20/36	
R EG7.11.1569	DOOR, ACCESS, AND OUTER SKIN DOUBLER AT FRAME 22, ASSEMBLY (Mod.4947, Amdt.1) Spares for:—	—	—	20/30	
R EG7.11.1571	DOOR, access, assembly Attaching parts for EG7.11.1571:—	1	—	20/10	
R EEAS1/2-1/2C	Screw, 2BA 120° c'sk head	28	—	20/9	
R EEAS1-4C	Screw, 2BA 120° c'sk head	4	—	20/12	
R EEAS1-3E	Screw, 1/4" BSF 120° c'sk head	8	—	20/8	
EA1.11.3173	ANGLE, landing, wing, port, centre	1	EEDX124	20/37	
EA1.11.3174	ANGLE, landing, wing, starboard, centre	1	EEDX124	20/38	
EA1.11.3175	ANGLE, landing, wing, port, forward	1	L72	20/40	
EA1.11.3176	ANGLE, landing, wing, starboard, forward	1	L72	20/43	
EA1.11.3323	BRACKET, wing to fuselage attachment at frame 17, port	1	S96	20/41	
EA1.11.3324	BRACKET, wing to fuselage attachment at frame 17, starboard	1	S96	20/42	
EA1.11.1023	BRACKET, undercarriage door, jack mounting, port Attaching parts for EA1.11.1023:—	1	DTD546	29/6	
EEAS222/3C	Bolt, 2BA hex. head (Make from A26/3C)	4	HTS	29/7	
EA1.11.1024	BRACKET, undercarriage door, jack mounting, starboard Attaching parts for EA1.11.1024:—	1	DTD546	29/8	
EEAS222/3C	Bolt, 2BA hex. head (Make from A25/3C)	4	HTS	29/9	

FUSELAGE

CENTRE FUSELAGE STRUCTURE

Part Number	Description	No. Off	Mtl. Spec.	Plate No.
EA1.57.135	. . FITTING, drain outlet	3	—	20/11
EA1.11.1657	. . PLATE, cover, access, for fuel tank, nitrogen and vent system, coupling between frames 12-13	1	—	20/32
EG7.11.811	. . STRUCTURE ALTERATION FOR VHF AERIAL Spares for:—	—	—	20/29
EG7.11.829	. . CONDUIT	1	L62	20/31
EG7.11.839	. . FAIRLEAD, half Attaching parts for EG7.11.839:—	2	BS2572	20/28
AS1246/4C	. . Bolt, 2BA round head	3	—	20/24
AS1246/5C	. . Bolt, 2BA round head	1	—	20/33
SP13/C	. . Washer, 2BA plain	5	—	20/25
EG7.11.1551	. . PANEL, access, assembly (Mod.4947) Attaching parts for EG7.11.1551:—	1	L73	20/3
AS1242/2C	. . Bolt, 2BA c'sk head	20	—	20/5
EG7.11.921	. . STRUCTURE, FOR TACAN AERIAL, UHF AERIAL AND IDENT LIGHT Spares for:—	—	—	20/39
EG7.11.933	. . RING, retaining	1	L73	20/27
EEAS1/2C	. . SCREW, 2BA 120° c'sk head	17	S96	20/26
EG7.11.931	. . WINDOW (May be made from A.A1.11.669 Ref.268)	1	DTD339	20/23

FUSELAGE
REAR FUSELAGE AND TAIL UNIT

Part Number	Description	No. Off	Mati. Spec.	Plate No.
-	REAR FUSELAGE AND TAIL UNIT, ASSEMBLY (EG7.00.45) (Pre Mod.5348)	-	-	21/34
EG7.00.10039	REAR FUSELAGE (Spares condition rear fuselage based on EG7.00.45 to LTF standard) (Mod.5348)	1	-	-
R -	ALTERATIONS TO REAR FUSELAGE AND TAIL UNIT, ASSEMBLY (EG7.00.5035) (Mod.5466)	-	-	-
R -	Spares for:- CONDUIT IN FIN STUB FOR OMEGA AERIAL INSTALLATION (EG7.12.5071) (Mod.5466)	-	-	-
R -	Spares for:- CONDUIT, assembly	1	-	26/18
R EG7.12.5069A	Spares for:- CONDUIT, 0.9 mm wall thickness	1	BACM95	26/19
R EG7.12.5069B	FLANGE, 1.2 mm wall thickness	1	L61	26/20
R AS3181-32C	CLIP, "P" Attaching parts:-	1	-	26/21
R A25-2C	Bolt, 2BA, hex. hd.	1	-	26/22
R AGS2001C1-66	Nut, stiff, 2BA	1	-	26/23
R SP122D	Washer, 2BA	1	-	26/24
R EG7.12.5073	RING, reinforcing, 0.9 mm thick	1	L165	26/25
R EG7.12.5075	RING, reinforcing, 1.6 mm thick	1	L165	26/26
R EE11-2	SECTION, extruded Attaching parts:-	QR	-	26/27
R EC1099	Adhesive	QR	-	†
EA3.45.385	CONTROLS, FLYING, IN REAR FUSELAGE (See page DK1)	-	-	-
EA1.00.63	CONTROLS, TO RUDDER AND ELEVATOR ATTACHMENT DETAILS (See page KG1)	-	-	-
EG7.81.37	ELECTRICAL EQUIPMENT IN REAR FUSELAGE (See page EB1)	-	-	-
EA3.83.115	EQUIPMENT IN REAR FUSELAGE (See page FA1)	-	-	-
EG7.00.59	FAIRING, TO REAR FUSELAGE ATTACHMENT DETAILS (See page KF1)	-	-	-
EG7.00.271	FAIRING, REAR, GROUP (EG7.12.17) (Supplied with rear fuselage attachment holes undrilled and with ".10 trim allowance)	1	-	21/27
EA1.12.403	Spares for:- BRACKET, fairing attachment Attaching parts for EA1.12.403:-	2	L40	21/32
AGS2001/C/1	Nut, stiff, 2BA	3	-	21/35
EEAS1/3C	Screw, 2BA 120° c'sk head	3	S96	21/31
SP15/C	Washer, 2BA plain	3	-	21/33
EG7.12.371	DOOR, access, port Attaching parts for EG7.12.371:-	1	L72	21/15
AS1248/½C	Bolt, 2BA mushroom head	6	-	21/16
EG7.12.372	DOOR, access, starboard Attaching parts for EG7.12.372:-	1	L72	21/3
AS1248/½C	Bolt, 2BA mushroom head	6	-	21/4
EG7.12.439	DOOR, rear access, assembly Attaching parts for EG7.12.439:-	1	L72	21/17
AS1248/½C	Bolt, 2BA mushroom head	10	-	21/18
EA1.12.449	DOOR, ACCESS, REAR NAVIGATION LIGHT, GROUP Spares for:-	1	-	21/5
EA1.12.629	WINDOW, perspex Attaching parts for EA1.12.449:-	1	-	21/6
EEAS1/1C	Screw, 2BA 120° c'sk head	5	S96	21/7
-	STRUCTURE, TAIL CONE, ASSEMBLY (EG7.12.219) Spares for:-	-	-	21/19
EG7.12.333	ANGLE, landing, forward, port	1	L72	21/14
EG7.12.334	ANGLE, landing, forward, starboard	1	L72	21/1
EG7.12.363	BUTT-STRAP, port, 16 SWG	1	L72	21/28
EG7.12.364	BUTT-STRAP, starboard, 16 SWG	1	L72	21/2
EG7.12.453	BUTT-STRAP, port, 18 SWG	1	L72	21/26

FUSELAGE
REAR FUSELAGE AND TAIL UNIT

Part Number	Description	No. Off	Mati. Spec.	Plate No.
EG7.12.454	. . . BUTT-STRAP, starboard, 18 SWG	1	L72	21/10
33H/2204264	. . . COMPOUND, sealant, PR.1301	QR	DTD400-4523	21/20
33H/9109210	. . . COMPOUND, sealing	QR	-	21/21
EG7.12.263	. . . DOOR, upper access, assembly Attaching parts for EG7.12.263:	1	L72	21/8
AS1248/1C	. . . Bolt, 2BA mushroom head	11	-	21/9
EG7.12.365	. . . PACKING, anchor nut	28	L72	21/29
EG7.12.473	. . . PANEL, centre, port, assembly Attaching parts for EG7.12.473:	1	L59	21/30
AS1248/1C	. . . Bolt, 2BA mushroom head	15	-	21/12
EG7.12.474	. . . PANEL, centre, starboard, assembly Attaching parts for EG7.12.474:	1	L59	21/11
AS1248/1C	. . . Bolt, 2BA mushroom head	15	-	21/13
EG7.12.321	. . . RADOME, 'X' band horn aerial, port, assembly Attaching parts for EG7.12.321:	1	L44	21/24
AS1248/1C	. . . Bolt, 2BA mushroom head	14	-	21/25
EG7.12.322	. . . RADOME, 'X' band horn aerial, starboard, assembly Attaching parts for EG7.12.322:	1	L44	21/22
AS1248/1C	. . . Bolt, 2BA mushroom head	14	-	21/23
EG7.12.485	. . . RING, HALF, AERIAL ATTACHMENT, ASSEMBLY Spares for:	1	-	22/30
EG7.12.481 BUSH, insulating, assembly	6	Phenol Sheet	22/24
EG7.12.477 RING, half	1	L72	22/31
EG7.12.489 WASHER, insulating	6	Phenol Sheet	22/27
EG7.12.487 RING, HALF, AERIAL ATTACHMENT, ASSEMBLY Spares for:	1	-	22/28
EG7.12.481 BUSH, insulating, assembly	6	Phenol Sheet	22/24
EG7.12.479 RING, half	1	L72	22/29
EG7.12.489 WASHER, insulating	6	Phenol Sheet	22/27
EG7.12.341	. . . SKIN, forward, port	1	L59	22/26
EG7.12.342	. . . SKIN, forward, starboard	1	L59	22/25
EG7.12.457	. . . WASHER, insulating	1	Phenol Sheet	22/32
EA1.00.55	. FIN TO FUSELAGE ATTACHMENT DETAILS (See page K4)	-	-	

R
R

FUSELAGE
REAR FUSELAGE AND TAIL UNIT

Part Number	Description	No. Off	Mati. Spec.	Plate No.
EG7.32.163	. FIN, TAIL, ASSEMBLY (Pre Mod.5043)	1	-	22/3
EG7.00.299	. FIN, TAIL, ASSEMBLY (Spare) (EG7.32.163) (Mod.5043)	1	-	-
EG7.32.187	. FIN, TAIL, ASSEMBLY (Alt.R60/12) (Pre Mod.5466)	1	-	-
EA3.00.5491	. FIN, ASSEMBLY (Spare) (EG7.32.187) (Mod.5111) (Pre Mod.5348)	1	-	-
EA3.00.5709	. FIN, ASSEMBLY (Spares for EG7.32.187) (Mod.5348) (Pre Mod.5466)	1	-	-
EG7.32.5043	. FIN, ASSEMBLY (Mod.5466)	1	-	-
EG7.00.315	. FIN, ASSEMBLY (Spares for EG7.32.5043) (Mod.5466)	1	-	-
-	Spares for:- . . . ALTERATIONS TO FIN WOODEN STRUCTURE FOR VOR/ILS AERIALS, ASSEMBLY (EG7.32.155)	-	-	22/4
-	Spares for:-	-	-	-
KAYNAR K.1000-3	. . . NUT, anchor, "Kaylock", 10 UNF, VOR/ILS aerial bolt attachment	20	-	22/8
EG7.32.157	. . . PANEL, aerial surround, L.H. Attaching parts for EG7.32.157:-	1	L72	22/1
SP63/D4	. . . Screw, 6 gauge, recessed c'sk head	22	-	22/2
EG7.32.158	. . . PANEL, aerial surround, R.H. Attaching parts for EG7.32.158:-	1	L72	22/5
SP63/D4	. . . Screw, 6 gauge, recessed c'sk head	22	-	22/6
-	. . . ALTERATIONS TO FIN SHROUD FOR VOR/ILS AERIALS, ASSEMBLY (EG7.32.81)	-	-	22/9
-	Spares for:-	-	-	-
EG7.32.83	. . . PANEL, aerial connectors access, port Attaching parts for EG7.32.83:-	1	L73	22/10
AS1242/1/C	. . . Bolt, 2BA c'sk head	8	-	22/11
EA1.32.553	. . . PANEL, access, aerial plug Attaching parts for EA1.32.553:-	1	-	22/12
A33/C14	. . . Screw, 2BA c'sk head	5	-	22/13
EA1.32.579	. . . PANEL, attachment bolt access, L.H. Attaching parts for EA1.32.579:-	1	-	22/18
AS1242/1C	. . . Bolt, 2BA c'sk head	7	-	22/19
EA1.32.580	. . . PANEL, attachment bolt access, R.H. Attaching parts for EA1.32.580:-	1	-	22/15
AS1242/1/C	. . . Bolt, 2BA c'sk head	7	-	22/16
EA1.32.663	. . . PANEL, access, nose Attaching parts for EA1.32.663:-	1	-	22/14
AS1242/1C	. . . Bolt, 2BA c'sk head	6	-	22/7
AS1242/5/C	. . . Bolt, 2BA c'sk head	6	-	22/17
EA1.32.767	. . . PANEL, access, rudder control tube and lower mass balance weight Attaching parts for EA1.32.767:-	1	-	22/22
AS1242/2C	. . . Bolt, 2BA c'sk head	11	-	22/23
EA1.32.769	. . . PANEL, access, rudder tab actuator lever, and actuator Attaching parts for EA1.32.769:-	1	-	22/20
AS1242/2C	. . . Bolt, 2BA c'sk head	11	-	22/21
EA3.32.249	. . . STRINGER, aft, port (Mod.5200)	4	-	-
EA3.32.250	. . . STRINGER, aft, starboard (Mod.5200)	4	-	-
EA3.32.251	. . . STRINGER, aft, port (Mod.5200)	1	-	-
EA3.32.252	. . . STRINGER, aft, starboard (Mod.5200)	1	-	-

FUSELAGE
REAR FUSELAGE AND TAIL UNIT

Part Number	Description	No. Off	Mati. Spec.	Plate No.
R -	STRUCTURE, OMEGA ANTENNA ASSEMBLY (EG7.32.5001) (Mod.5466) Spares for: -	-	-	35/1
R EG7.32.5045	ANGLE, forward upper Attaching parts: -	1	-	35/2
R A61-10C	Bolt, 2BA, hex. hd.	4	-	35/3
R SP124D	Washer, 2BA	4	-	35/4
R EG7.32.5047	ANGLE, forward lower Attaching parts: -	1	-	35/5
R A61-10C	Bolt, 2BA, hex. hd.	4	-	35/6
R SP124D	Washer, 2BA	4	-	35/7
R EG7.32.5049	ANGLE, aft, upper Attaching parts: -	1	-	35/8
R A61-10C	Bolt, 2BA, hex. hd.	4	-	35/9
R SP124D	Washer, 2BA	4	-	35/10
R EG7.32.5051	ANGLE, aft, lower Attaching parts: -	1	-	35/11
R A61-10C	Bolt, 2BA, hex. hd.	4	-	35/12
R SP124D	Washer, 2BA	4	-	35/13
R 6-714AM042S	ANTENNA, loop Attaching parts: -	-	-	35/14
R CSP118-4-6L	Bolt, 1/4" - 28 UNF, hex. hd.	4	-	35/15
R EEAS28-51	Washer	4	-	35/16
R AGS2037E	Washer, shakeproof	4	-	35/17
R EG7.32.5013	BASE, antenna Attaching parts: -	1	-	35/18
R A61-12C	Bolt, 2BA, hex. hd.	4	-	35/19
R SP124D	Washer, 2BA	4	-	35/20
R EG7.32.5003	BEAM, horizontal support Attaching parts: -	2	-	35/21
R AGS250-25	Woodscrew, No.4	3	Brass	35/22
R EG7.32.5005	BEAM, vertical support	2	-	35/23
R EG7.32.5007	BLOCK, corner	4	-	35/24
R EG7.32.5023	GUSSET	4	-	35/25
R AGS2007C3	NUT, anchor, 2BA	20	-	35/26
R EG7.32.5021	PACKING	4	-	35/27
R EG7.32.5025	PACKING	2	-	35/28

FUSELAGE

REAR FUSELAGE AND TAIL UNIT

Part Number	Description	No. Off	Mtl. Spec.	Plate No.
R EG7.32.5041 PANEL, access Attaching parts:—	1	BACM345	35/29
R AS4563-9C Bolt, 2BA, c'sk hd.	18	—	35/30
R EG7.32.5019 PIECE, roof	1	—	35/31
R EG7.32.5027 STRIP, corner	12	—	35/32
R EG7.32.5053 STRIP, anchor nut assembly Spares for:—	2	BACM345	35/33
R AGS2007C3 NUT, anchor, 2BA	3	—	35/34
R AGS2018C3 NUT, anchor, 2BA, corner	2	—	35/35
R EG7.32.5039A STRIP, anchor nut Attaching parts:—	1	BACM345	35/36
R AGS252-19 Woodscrew, No.4	4	Brass	35/37
R EG7.32.5055 STRIP, anchor nut assembly Spares for:—	2	—	35/38
R AGS2007C3 NUT, anchor, 2BA	4	—	35/39
R EG7.32.5037A STRIP, anchor nut Attaching parts:—	1	BACM345	35/40
R AGS252-19 Woodscrew, No.4	5	Brass	35/41
R EG7.32.5009 WALL, forward Attaching parts:—	1	—	35/42
R AGS250-24 Woodscrew, No.4	7	Brass	35/43
R EG7.32.5011 WALL, aft Attaching parts:—	1	—	35/44
R AGS250-24 Woodscrew, No.4	7	Brass	35/45
R EG7.32.5015 WALL, conduit	2	—	35/46
R EG7.32.5017 WALL, conduit	2	—	35/47
R AGS250-3 WOODSCREW, No.2	8	Brass	35/48
R AGS252-19 WOODSCREW, No.4	32	Brass	35/49

FUSELAGE

REAR FUSELAGE AND TAIL UNIT

Part Number	Description	No. Off	Matl. Spec.	Plate No.
EG7.12.1	FUSELAGE, REAR, ASSEMBLY	1	—	23/9
—	Spares for: ACCESS TO T/PLANE ACTUATOR ATTACHMENT BRACKET (EA3.12.5061)	—	—	24/33
EA3.12.5067	PACKING	1	L72	24/34
EA3.12.5063	PLATE, patch	1	L72	24/35
EA3.12.5065	PLATE, patch	1	L72	24/36
EA1.12.499	BUMPER, TAIL, ASSEMBLY	1	—	23/15
EA1.12.501	Spares for: PAD, bumper, rubber	1	—	23/16
EA1.12.367	FAIRING, tailplane sealing, port	1	—	23/12
EA1.12.368	FAIRING, tailplane sealing, starboard	1	—	23/14
EA3.12.45	FIN, dorsal	1	—	23/10
A25/2C	Attaching parts for EA3.12.45: Bolt, 2BA hex. head	2	—	23/11
EA1.12.257	FIN, STUB, COMPLETE, ASSEMBLY	1	—	23/7
EA1.12.1615	Spares for: COVER (starboard only)	1	—	23/4
EEAS1/1C	Attaching parts for EA1.12.1615: Screw, 2BA 120° c'sk head	10	S96	23/5
EA3.03.403	LUG, FIN ATTACHMENT, PORT (Spares for EA1.12.117)	1	—	23/2
EA1.12.127	BUSH	1	S11	23/1
EA3.03.405	LUG, FIN ATTACHMENT, STARBOARD (Spares for EA1.12.119)	1	—	23/3
EA1.12.125	BUSH (Refer to AP101B-0400-6, Vol.6, Pt.2, Repair leaflet D3/6 for particulars of assembly and special tools required for fitment of fin attachment lugs)	1	S11	23/1
—	STRUCTURE, REAR FUSELAGE, ASSEMBLY (EG7.12.9)	—	—	23/13
EG7.00.259	Spares for: DOOR, EQUIPMENT, ACCESS, ASSEMBLY (EG7.12.91)	1	—	23/19
EA1.12.361	FASTENER (Make from Fairey FS.400, Ref.7137)	5	—	23/38
EA1.12.363	FASTENER	12	—	23/43
EG7.00.269	HINGE (EA3.12.73) (Make from 28N/9486785)	1	—	23/42
EG7.12.37	PANEL, ACCESS, ASSEMBLY (Pre Mod.5106)	1	L73	23/33
EG7.12.535	PANEL, ACCESS, ASSEMBLY (Mod.5106)	—	—	
EG7.12.513	Spares for: DOUBLER, flanged (16 SWG L73) (Pre Mod.5352)	1	L73	
EG7.12.537	DOUBLER, flanged (Mod.5352)	1	—	
AJ3/35	FASTENER, dzus, domed head	13	—	23/29
GA3/200	GROMMET, dzus (Pre Mod.5106)	13	—	23/30
EG7.12.101	PANEL, access (Pre Mod.5106)	1	—	23/49
EG7.12.529	PLATE, cover, assembly (Mod.5106)	1	—	
DZUS No.3	RING, retaining (Mod.5106)	1	—	23/50
EG7.12.471	PANEL, ACCESS, ASSEMBLY	1	L73	23/32
AJ3/35	Spares for: FASTENER, dzus, domed head	12	—	23/29
GA3/200	GROMMET, dzus	12	—	23/30

REAR FUSELAGE AND TAIL UNIT

Part Number	Description	No. Off	Mtl. Spec.	Plate No.
EG7.12.533	. . . PLATE, T/R mounting assembly Spares for EG7.12.533:-	1	-	23/27
EG7.12.527	. . . PLATE, mounting, assembly Attaching parts for EG7.12.527:-	1	-	23/48
A59/2C	. . . Bolt, 2BA Attaching parts for EG7.12.35:-	12	-	23/23
A59/2C	. . . Bolt, 2BA	12	-	23/23
SP13/C	. . . Washer, thin	4	-	23/24
SP16/C	. . . Washer, thick	8	-	23/25
S3-175	. . . SPRING, dzus fastener	25	-	23/36
EA1.12.913	. . . STRIP, sealing, rubber (Make from EEAS.120. Nato No. 5330-99-6122385)	2	-	23/41
EA1.12.915	. . . STRIP, sealing, rubber (Make from EEAS.120. Nato No. 5330-99-6122385)	2	-	23/45
EA1.12.1201	. . NUT, special, lifting gear attachment	1	L40	23/6
AGS.2001/C/1	. . NUT, stiff, 1BA, hatch hinge attachment	34	-	23/44
EA1.12.1203	. . PACKING, lifting gear special nut	1	L59	23/8
EEAS.1/1C	. . SCREW, 2BA 120° c'sk head hinge attachment	32	S96	23/46
EEAS.1/2C	. . SCREW, 2BA 120° c'sk head, hatch hinge attachment at frames 32 and 33	2	S96	23/47
EA3.12.59	. . STRAP, retaining, hatch Attaching parts for EA3.12.59:-	1	Webbing	23/28
A25/20E	. . Bolt, 1/4" BSF hex. head	1	-	23/22
AGS.2001/E/1	. . Nut, stiff, 1/4" BSF	1	-	23/18
A419	. . Pin, "pip", type A	1	-	23/31
SP13/E	. . Washer, 1/4" BSF plain	2	-	23/17
-	. . STRUCTURE, REAR FUSELAGE (LESS SKIN), ASSEMBLY (EA1.12.7) Spares for:-	-	-	24/27
EA1.12.405	. . . BRACKET, rear fairing attachment Attaching parts for EA1.12.405:-	2	L40	24/8
AS.3297/3C	. . . Bolt, 2BA c'sk head	3	-	24/6
AGS2001/C/1	. . . Nut, stiff, 2BA	3	-	24/13
SP15/C	. . . Washer, 2BA plain	3	-	24/11
EA1.12.93	. . . FITTING, end, longeron, rear transport joint, port	1	-	24/32
EA1.12.94	. . . FITTING, end, longeron, rear transport joint, starboard	1	L40	24/28
EA1.12.95	. . . FITTING, end, longeron, rear transport joint, port	1	L40	24/30
EA1.12.96	. . . FITTING, end, longeron, rear transport joint, starboard	1	L40	24/21
EA1.12.51	. . . FRAME, No. 40, assembly	1	-	24/22
EA1.12.53	. . . FRAME, No. 41, assembly	1	-	24/26
EA1.12.55	. . . FRAME, No. 42, TAILPLANE HINGE, GROUP Spares for:-	1	-	24/25
EA3.12.163	. . . BRACKET, HINGE FITTING, TAILPLANE, PORT, ASSEMBLY Spares for:-	1	-	24/19
EA3.12.267 BUSH	1	S99	24/20

FUSELAGE

REAR FUSELAGE AND TAIL UNIT

Part Number	1 2 3 4 5 6	Description	No. Off	Mati. Spec.	Plate No.
EA3.12.164		BRACKET, HINGE FITTING, TAILPLANE, STARBOARD, ASSEMBLY Spares for:—	1	—	24/23
EA3.12.265		BUSH	1	S99	24/24
EA1.12.441		BRACKET, picketing	1	—	24/29
EA1.12.229 or EK5.12.611		CLEAT, tee, forward, frame 42, stringer attachment	2	L40	24/18
EA1.12.231 or EK5.12.607		CLEAT, tee aft, frame 42, fin root rib boom attachment, port	1	L40	24/16
EA1.12.232 or EK5.12.608		CLEAT, tee, aft, frame 42, fin root rib boom attachment, starboard	1	L40	24/15
EA1.12.447		PLUG, c/w attachments, blanking for picketing point at frame 42	1	—	24/31
EA1.12.237		STIFFENER, assembly Spares for:—	1	—	30/1
EA1.12.237/A		CHANNEL, L.H.	1	—	30/2
EA1.12.239		FITTING, joint Attachments:—	1	—	30/3
SP80/607 or EA1.12.1625 A27/CP		Rivet	12	—	
EA1.12.1627		Bolt, special	12	—	30/4
		Nut	12	—	30/5
		Washer	12	—	30/6
EA1.12.238		STIFFENER, assembly Spares for:—	1	—	30/7
EA1.12.238/A		CHANNEL, R.H.	1	—	30/8
EA1.12.239		FITTING, joint Attachments:—	1	—	30/9
SP80/607 or EA1.12.1625 A27/CP		Rivet	12	—	
EA1.12.1627		Bolt, special	12	—	30/10
		Nut	12	—	30/11
		Washer	12	—	30/12
EA1.12.391		WASHER, tapered	8	DTD390	24/17
EA3.12.273		STRUT, BRACING, TAILCONE AND STUB, ASSEMBLY Spares for:—	1	L62	24/12
EA1.12.141		BOLT, special, 1/2" BSF	2	S11	24/3
EA1.12.595		FORK-END, ASSEMBLY Spares for:—	2	—	24/7
EA1.12.139		BUSH	2	S1	24/2
EEAS.37/16A		NIPPLE, 2BA	8	S96	24/14
EEAS.37/22A A27/NS		NIPPLE, 2BA	8	S96	24/10
SP90/E8		NUT, 1/2" BSF slotted	2	—	24/4
EEAS.38/3A		PIN, split	2	—	24/5
SP15/N		SPOKE, 2BA (Make from 28R/6328)	8	S94	24/9
EA1.12.11		WASHER, 1/2" BSF plain	2	—	24/1
		STUB, RUDDER, ASSEMBLY Spares for:—	—	—	25/11
EA3.12.213		BOLT, special, 2BA, rudder buffer stop bracket mounting	8	S96	25/24
EA3.12.215		BOLT, special, 2BA, rudder buffer stop bracket mounting	2	S96	25/25
EA3.12.217		BOLT, special, 2BA, rudder buffer stop bracket mounting	2	S96	25/26
EA.3.12.219		BOLT, special, 2BA, rudder buffer stop bracket mounting	2	S96	25/23
EA.3.12.227		BRACKET, RUDDER STOP, L.H., ASSEMBLY Spares for:—	1	—	25/21
EA3.12.225		BUFFER, rubber	1	Natural Rubber	25/28

FUSELAGE
REAR FUSELAGE AND TAIL UNIT

Part Number	Description 1 2 3 4 5 6	No. Off	Mati. Spec.	Plate No.
EA3.12.228 BRACKET, RUBBER, STOP, R.H., ASSEMBLY Spares for:—	1	L40	25/12
EA3.12.225 BUFFER, rubber	1	Natural Rubber	25/15
EA3.12.299 COVER, access plate Attaching parts for EA3.12.299:—	1	L72	25/22
AGS2001/C/1 Nut, stiff, 2 BA	2	—	25/27
EEAS1/1C Screw, 2 BA 120° c'sk head	11	S96	25/29
EA1.12.1427 COVER, access Attaching parts for EA1.12.1427:—	1	L72	25/17
EEAS1/1C Screw, 2 BA 120° c'sk head	8	S96	25/18
— REINFORCEMENT OF RUDDER BOTTOM BEARING HOUSING (EA3.33.297) (Mod 4707) Spares for:—	—	—	25/14
EA3.33.299 PLATE, bearing, split Spares for:—	1	—	25/9
EA3.33.301 PLATE, bearing, half	2	—	25/8
EA1.12.281 RIB, RUDDER STUB, LOWER, ASSEMBLY Spares for:—	1	—	25/19
EA1.12.873 STRIP, sealing, 1/8" thick	2	Rubber	25/20
EA1.12.283 RIB, RUBBER STUB, UPPER, ASSEMBLY Spares for:—	1	—	25/16
EA1.12.207 HINGE, RUDDER, BOTTOM, ASSEMBLY Consisting of:—	1	—	25/10
RANSOME & MARLES MJ7/8" BEARING, ball race	1	—	25/3
EA1.12.205 BRACKET, rudder hinge	1	L45	25/4
AGS2030/89 CIRCLIP, internal Attaching parts for EA1.12.207:—	1	—	25/1
AS1242/3/C Bolt, 2 BA c'sk head	8	—	25/2
AGS2001/C/1 Nut, stiff, 2 BA	8	—	25/7
SP18/C Washer, 2 BA plain	8	—	25/5
EA1.12.199 PLATE, reinforcing	1	L72	25/6
EA1.12.391 WASHER, tapered, tailplane stub attachment	4	DTD390	25/13
— LEAD, BONDING, IN REAR FUSELAGE HATCH, INSTALLATION (EG7.82.971) Consisting of:—	—	—	23/39
EG7.82.975 LEAD, flexible, assembly Spares for:—	2	—	23/40
EG7.82.789 SCREW, special, 2 BA (May be made from A31/C18 Ref. 28S/9992997)	2	S1	23/26
EG7.82.791 WASHER, tapped, 2 BA Attaching parts for EG7.82.975:—	2	S510	23/37
AGS2001/C/1 Nut, stiff, 2 BA	2	—	23/20
SP13/C Washer, 2 BA plain	2	—	23/21
EA1.12.597 PLATE, sealing, tailplane to fuselage, port (Pre Mod 5536)	1	L72	26/14
EA1.12.598 PLATE, sealing, tailplane to fuselage, forward, starboard (Pre Mod 5536)	1	L72	26/11

FUSELAGE
REAR FUSELAGE AND TAIL UNIT

Part Number	Description	No. Off	Mtl. Spec.	Plate No.	
					1
R EA3.12.5077	. PLATE, sealing, tailplane to fuselage, forward, port (Mod 5536)	1	-	26/28	
R EA3.12.5078	. PLATE, sealing, tailplane to fuselage, forward, starboard (Mod 5536) spares for:-	1	-	26/29	
R EA3.12.5081	. . . PLATE, sealing, assembly, port spares for:-	1	-	26/30	
R EA3.12.5079 ANGLE, sealing	1	-	26/31	
R EA1.12.597	. . . PLATE, sealing, port	1	-	26/32	
R EA3.12.5082	. . . PLATE, sealing, assembly, starboard spares for:-	1	-	26/33	
R EA3.12.5080 ANGLE, sealing	1	-	26/34	
R EA1.12.598	. . . PLATE, sealing, starboard	1	-	26/35	
EA1.12.599	. PLATE, sealing, tailplane to fuselage, aft, port	1	L72	26/13	
EA1.12.600	. PLATE, sealing, tailplane to fuselage, aft, starboard	1	L72	26/12	
EA1.00.61	. PLATE, SEALING, ATTACHMENT DETAILS (See Page KJ1)	-	-		
EA3.33.1	. RUDDER, C/W TAB, ASSEMBLY (See page P1) (Pre Mod 5043)	1	-		
EA3.00.5397	. RUDDER, C/W TAB, ASSEMBLY (Spare) (EA3.33.1) (Mod 5043)	1	-		
EA3.00.5489	. RUDDER, C/W TAB, ASSEMBLY (Spare) (EA3.33.1) (Mod 5111)	1	-		
EB7.00.5211	. RUDDER, C/W TAB, ASSEMBLY (Spare) (EA3.33.11) (Mod 5119)	1	-		
EA1.00.57	. RUDDER, TO FIN AND FUSELAGE ATTACHMENT DETAILS (See Page KE1)	-	-		
-	. SEALING, UPPER TAILPLANE, ASSEMBLY (EA9.30.5) Spares for:-	-	-		
-	. . . SEAL, TAILPLANE TO RUDDER STUB, PORT ASSEMBLY (EA9.30.27) Spares for:-	-	-	26/9	
EA3.30.265 PLATE, insert	1	DTD124	26/8	
EA3.30.267 PLATE, insert	1	DTD124	26/6	
EA9.30.35 SEAL, spring, assembly	1	-	26/7	
EA9.30.39 SEAL, spring, assembly	1	-	26/3	
-	. . . SEAL, TAILPLANE TO RUDDER STUB, STARBOARD, ASSEMBLY (EA9.30.28) Spares for:-	-	-	26/10	
EA3.30.266 PLATE, insert	1	DTD124	26/4	
EA3.30.268 PLATE, insert	1	DTD124	26/5	
EA9.30.36 SEAL, spring, assembly	1	-	26/1	
EA9.30.40 SEAL, spring, assembly	1	-	26/2	
-	. STOWAGE, PERSONAL LUGGAGE, AT FRAMES 18 TO 33, ASSEMBLY (EG7.80.1535) Spares for:-	-	-	26/15	
EG7.80.1549	. . . STRAP, webbing, 18" long x 1" wide	4	DTD5505	26/16	
EG7.80.1551	. . . STRAP, webbing, 32" long x 1" wide	4	DTD5505	26/17	
EA1.00.19 or EA3.00.5473	. TAILPLANE AND ELEVATORS (See Page PA1)	-	-		
EA1.00.53	. TAILPLANE TO REAR FUSELAGE ATTACHMENT DETAILS (See Page KH1)	-	-		
EB7.57.293	. VENTING, FUEL, BETWEEN FRAME 30 AND FRAME 40, ASSEMBLY (See Page NT1)	-	-		

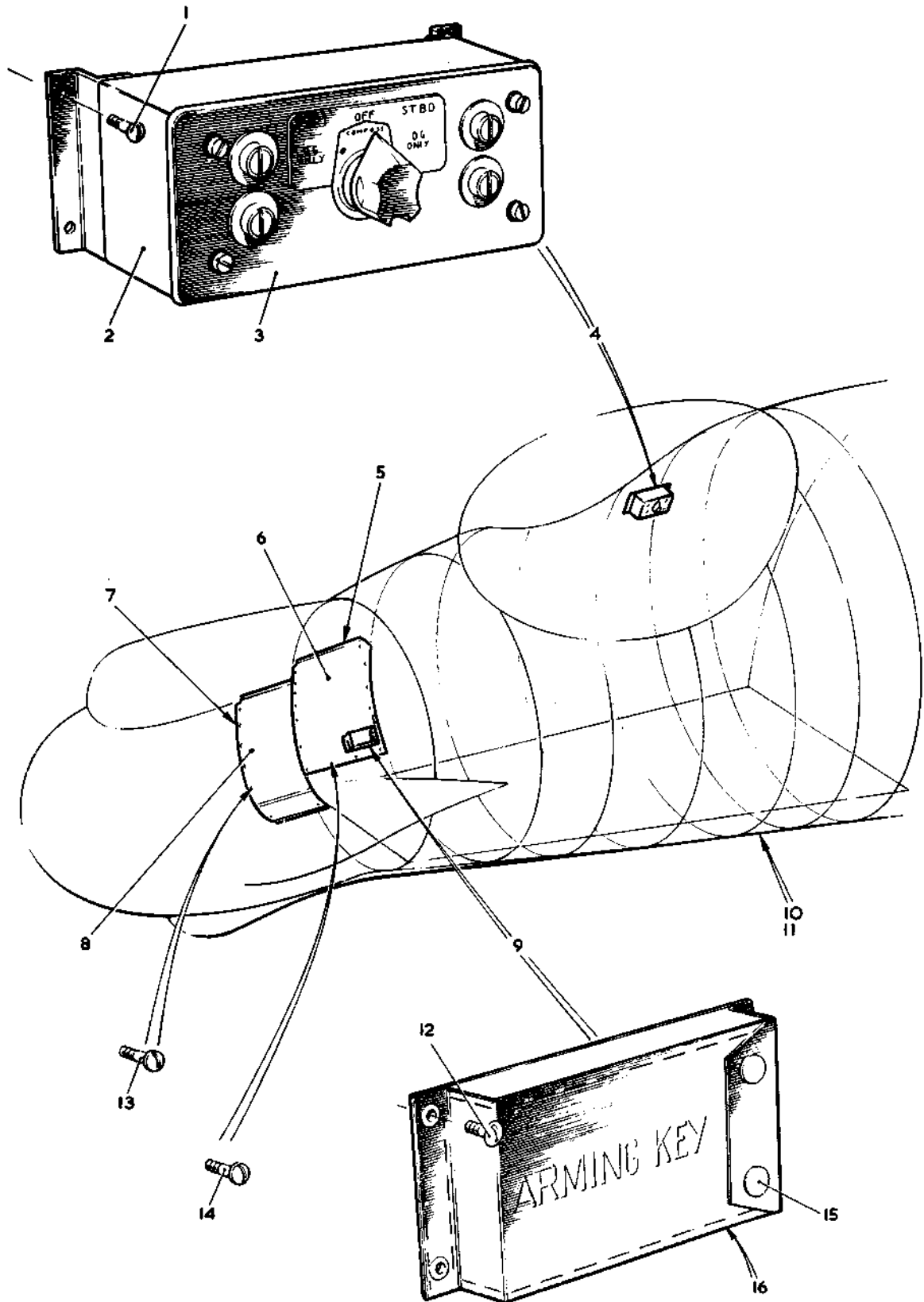


FIG. I FRONT FUSELAGE

Restricted

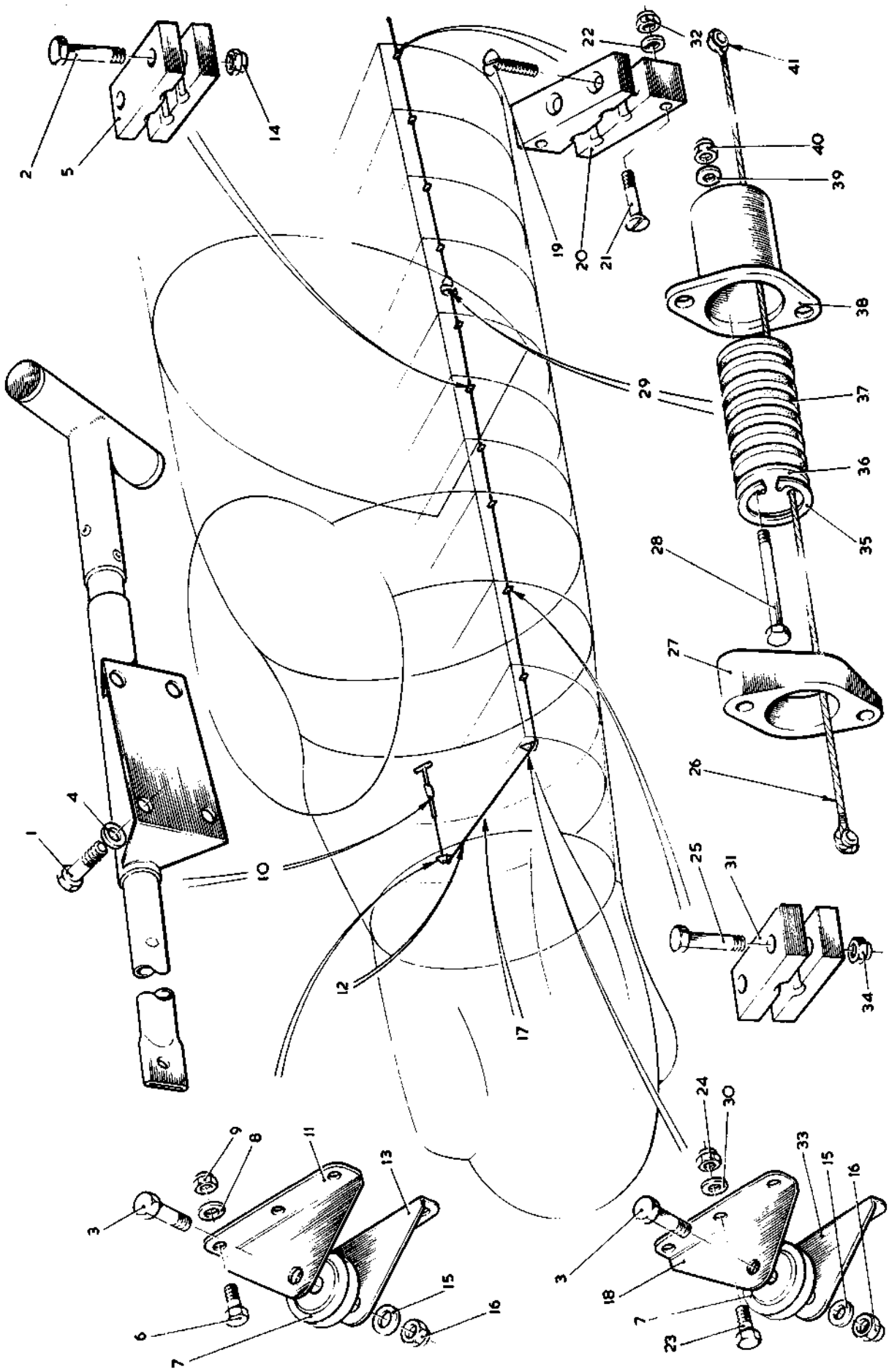


FIG.2 FRONT FUSELAGE
Restricted

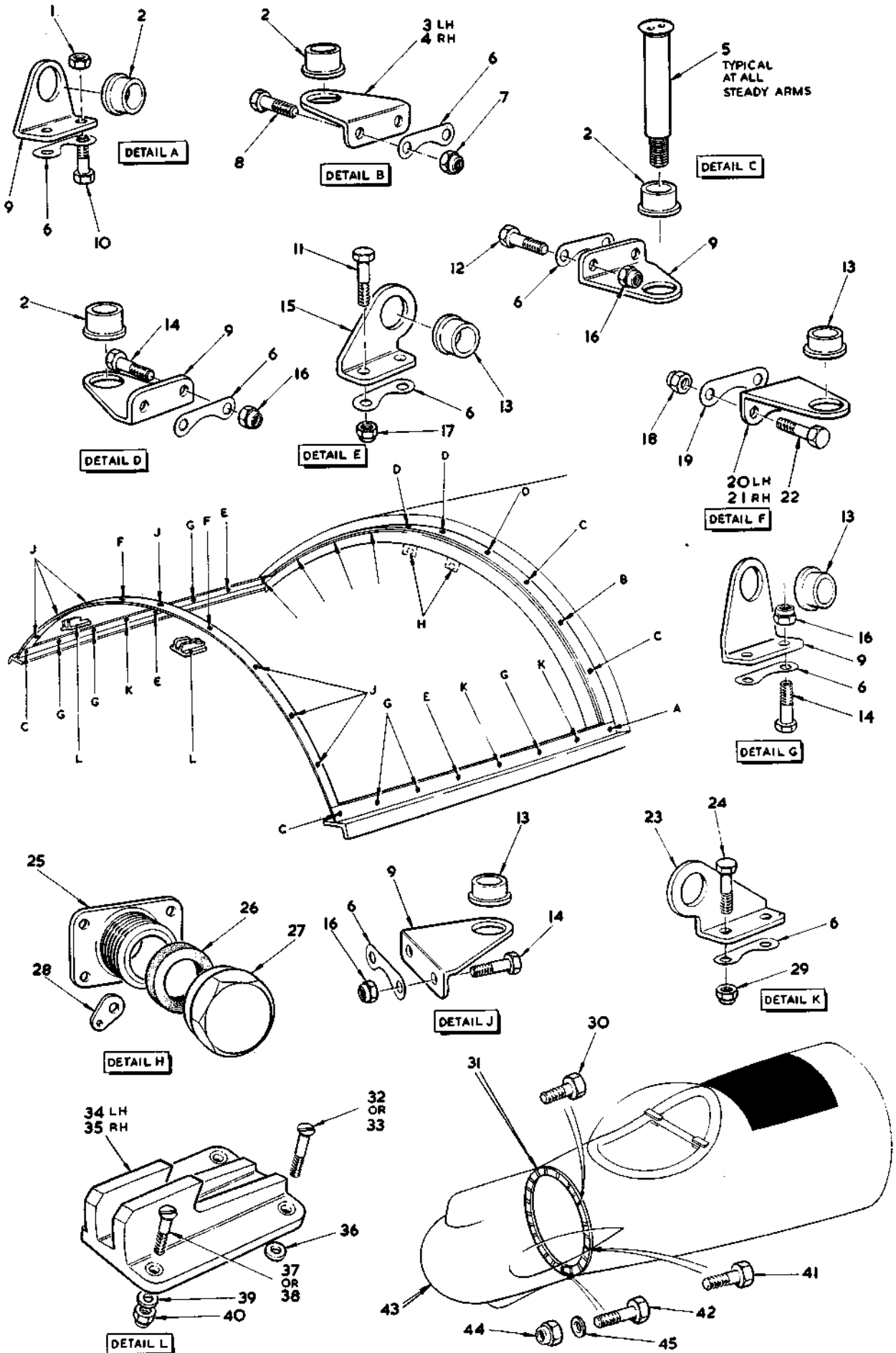


FIG.3 FRONT FUSELAGE STRUCTURE Restricted

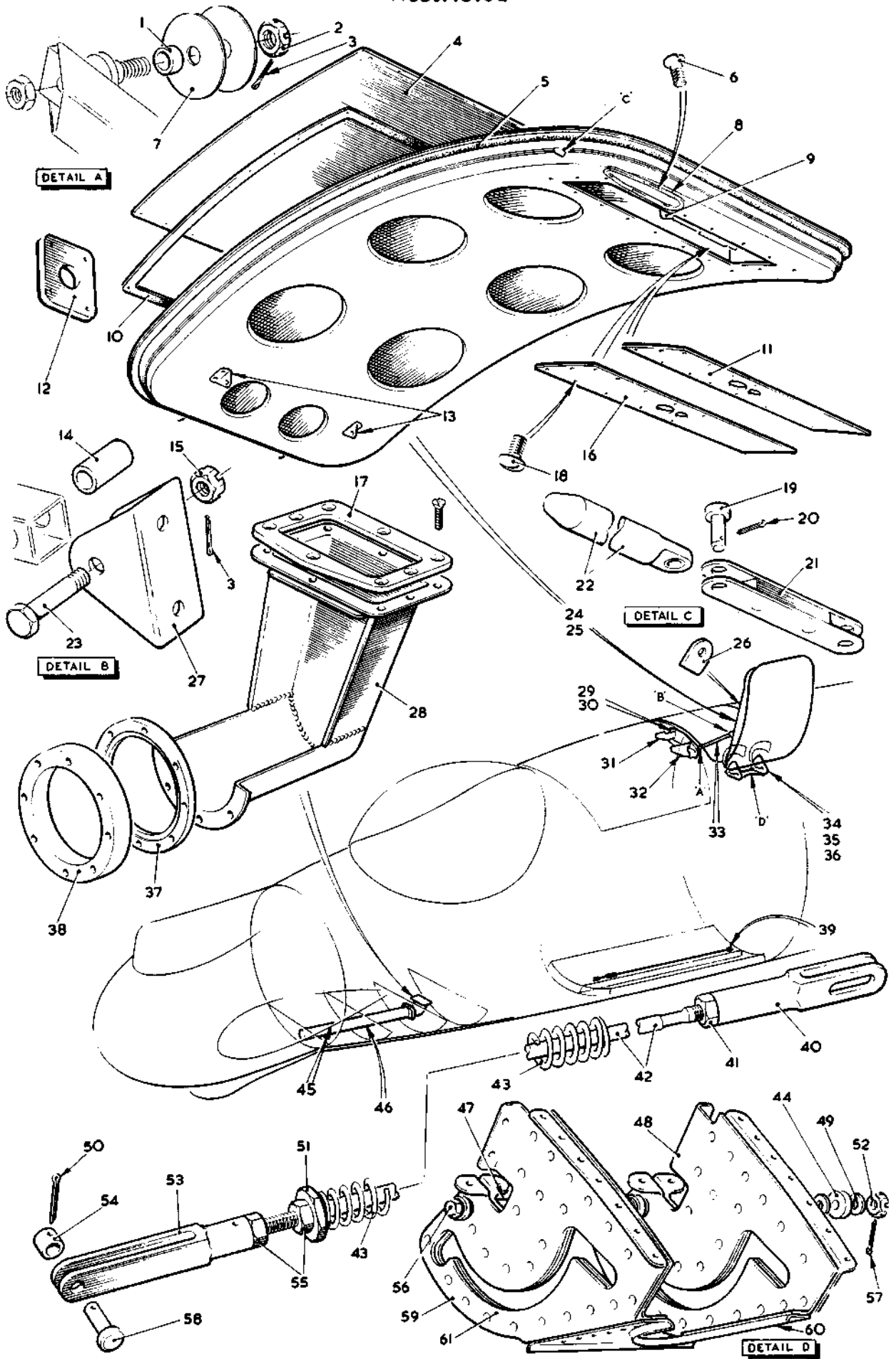


FIG 3A. FRONT FUSELAGE STRUCTURE
Restricted

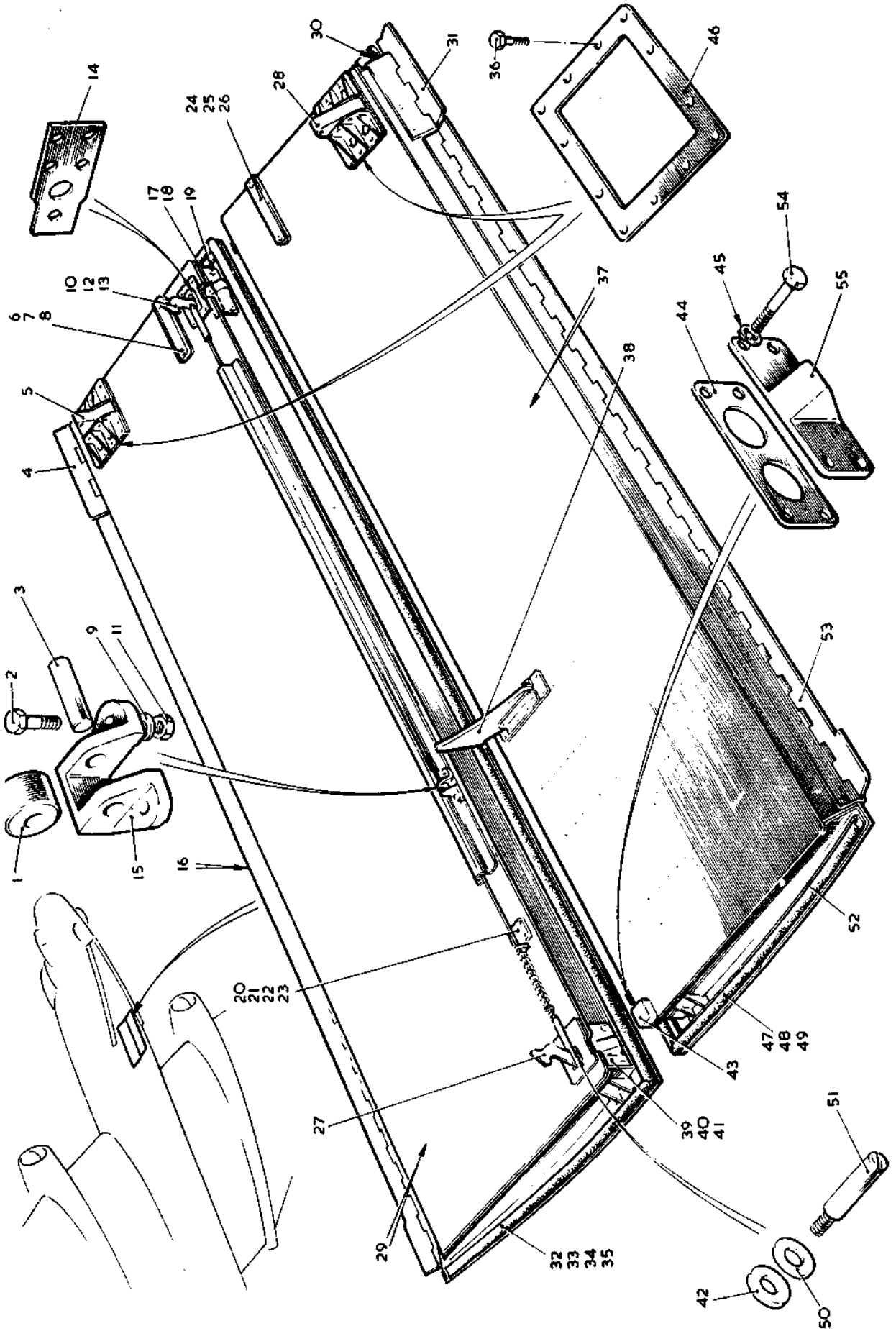


FIG 4. FRONT FUSELAGE STRUCTURE
Restricted

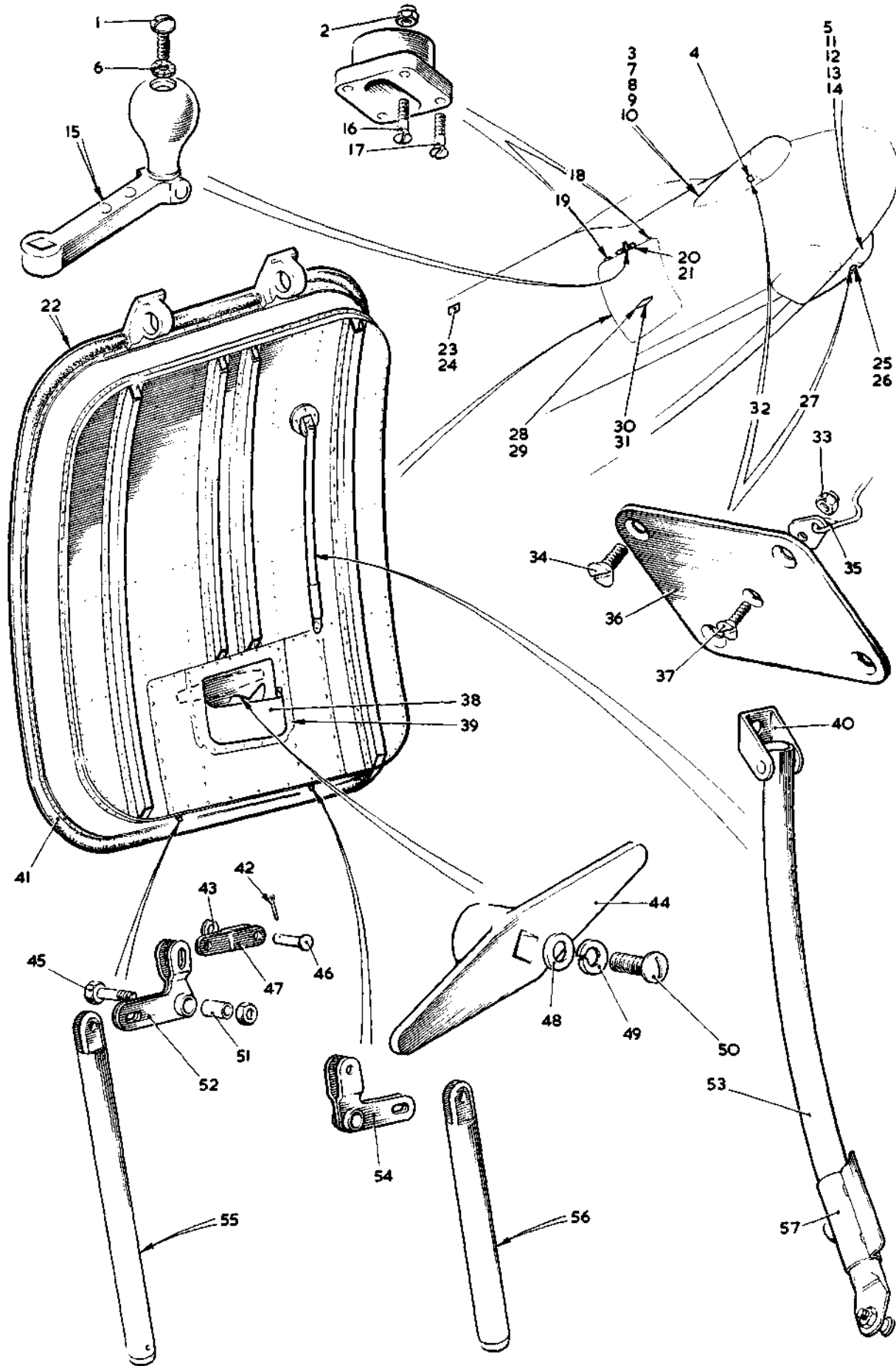


FIG5 FRONT FUSELAGE STRUCTURE
Restricted

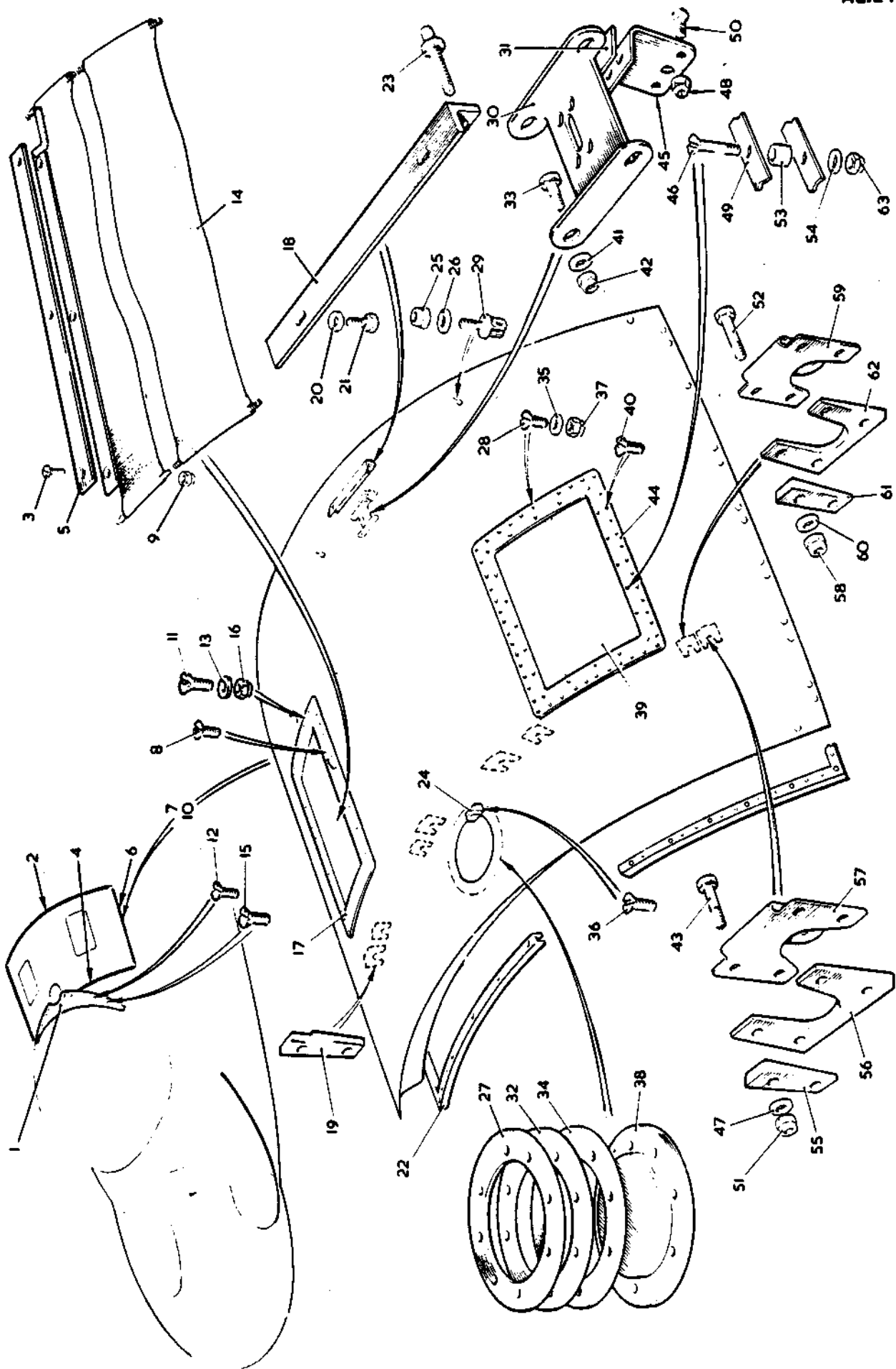


FIG.6 FRONT FUSELAGE STRUCTURE

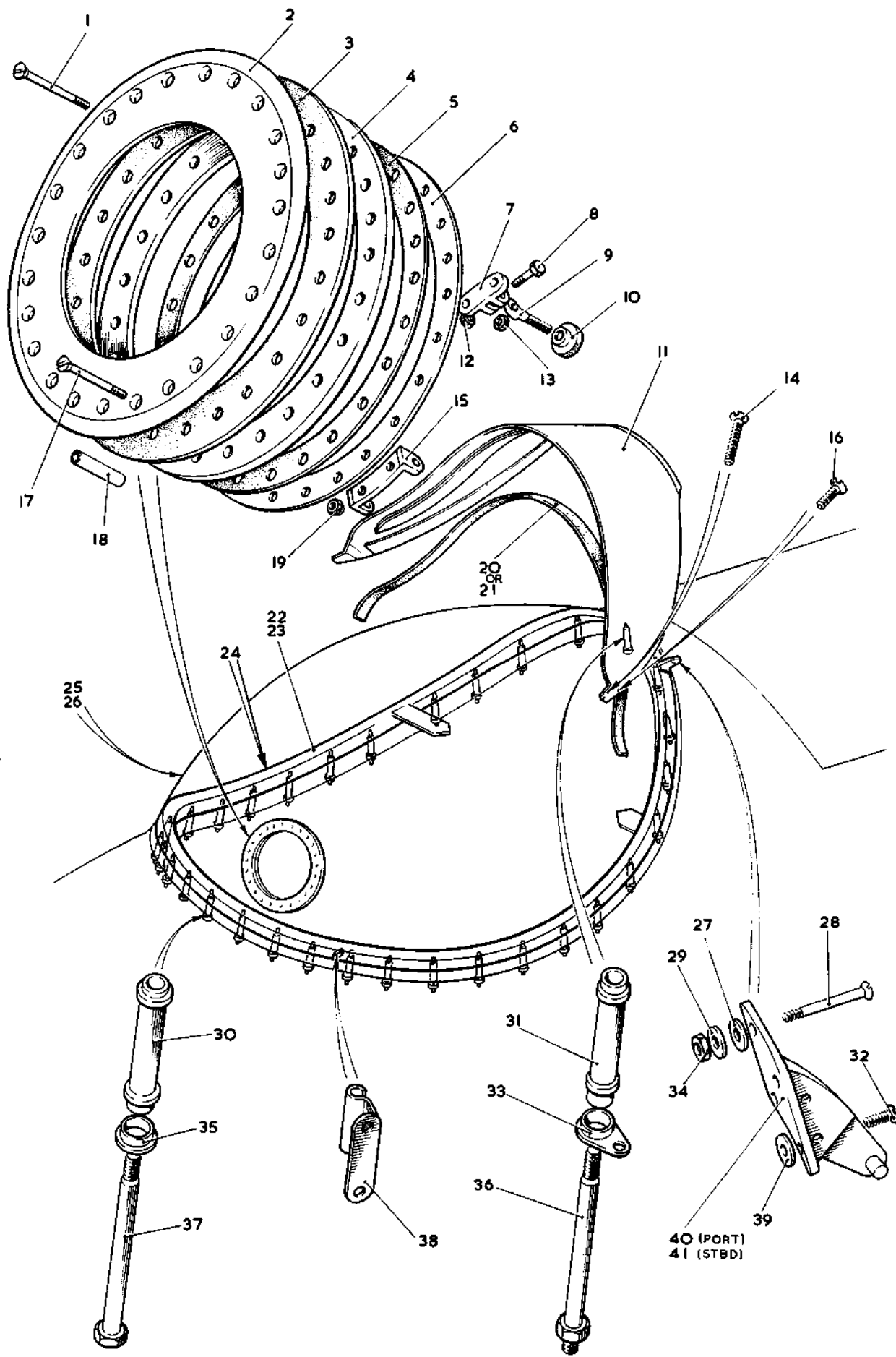


FIG.7 FRONT FUSELAGE STRUCTURE
Restricted

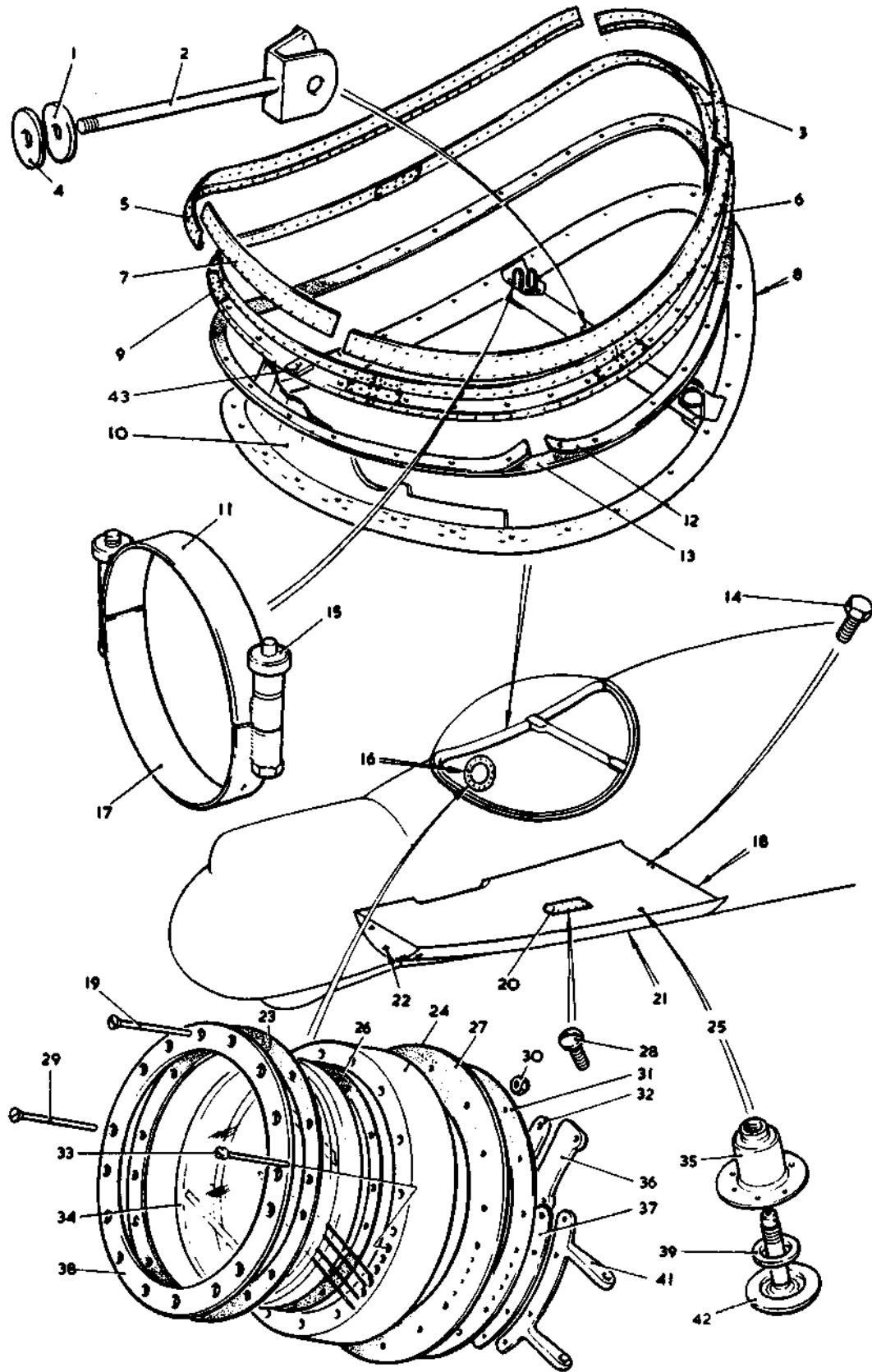


FIG.8 FRONT FUSELAGE STRUCTURE

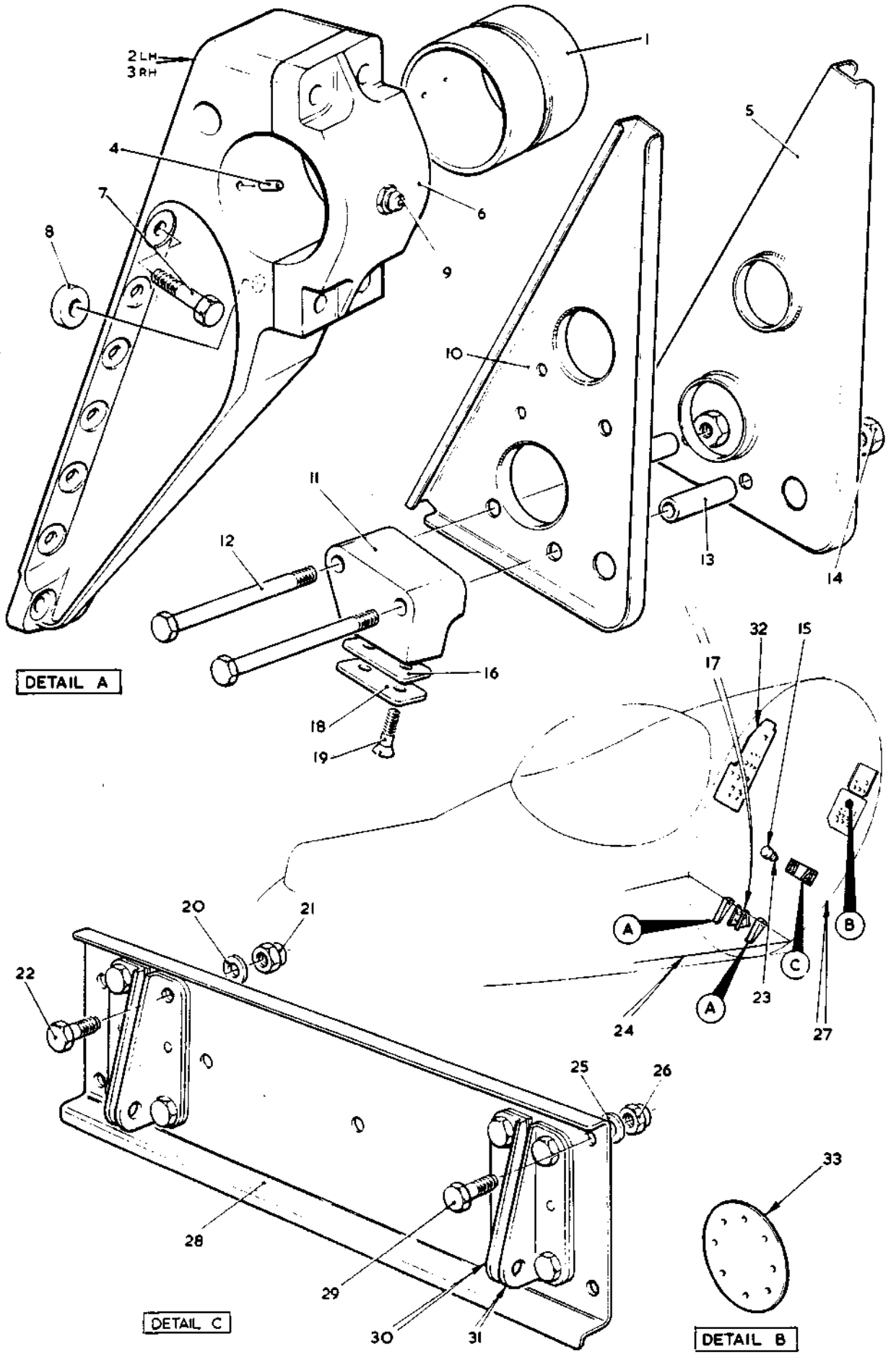


FIG.9 FRONT FUSELAGE STRUCTURE

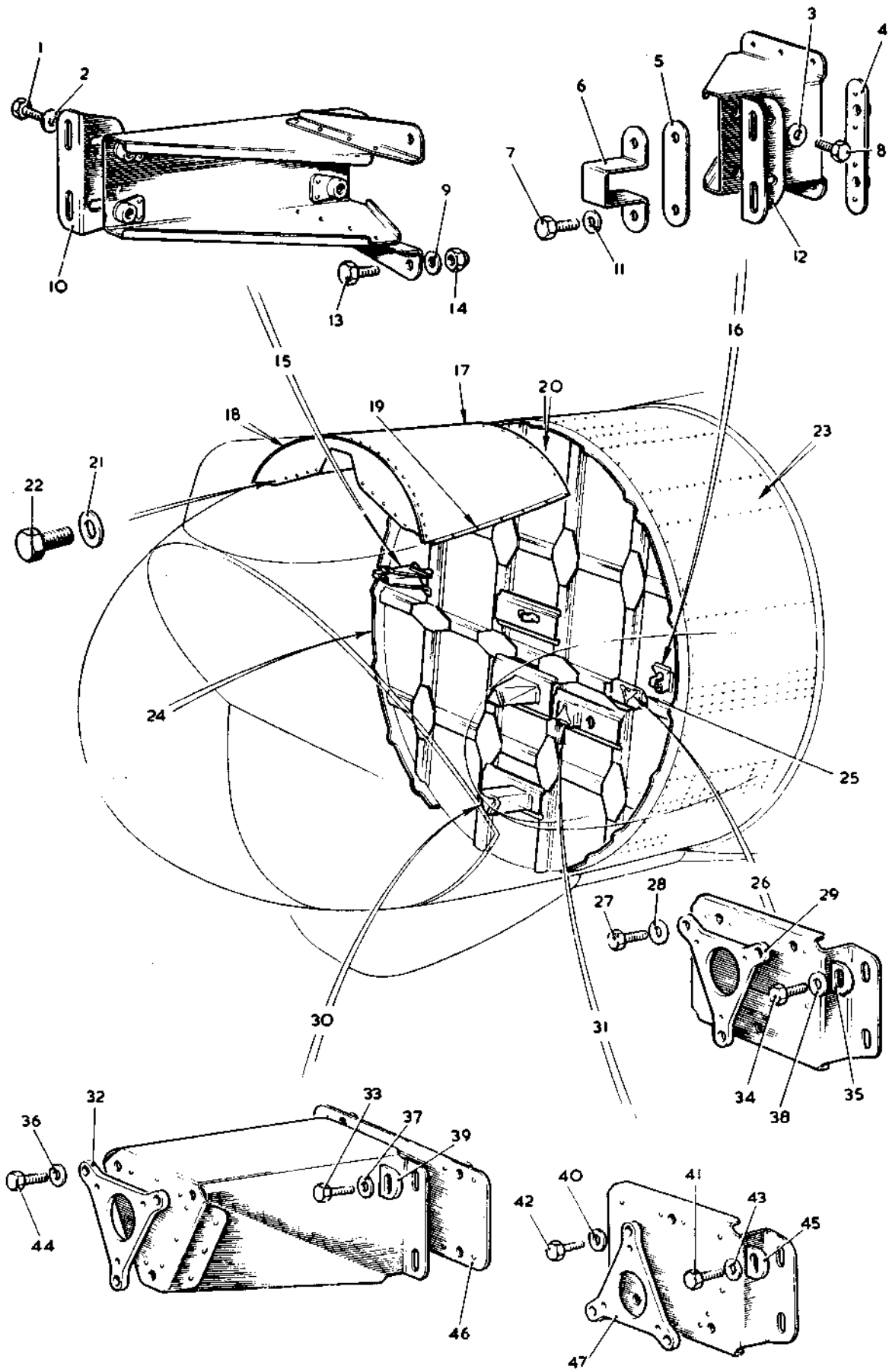


FIG 10. FRONT FUSELAGE STRUCTURE

Restricted

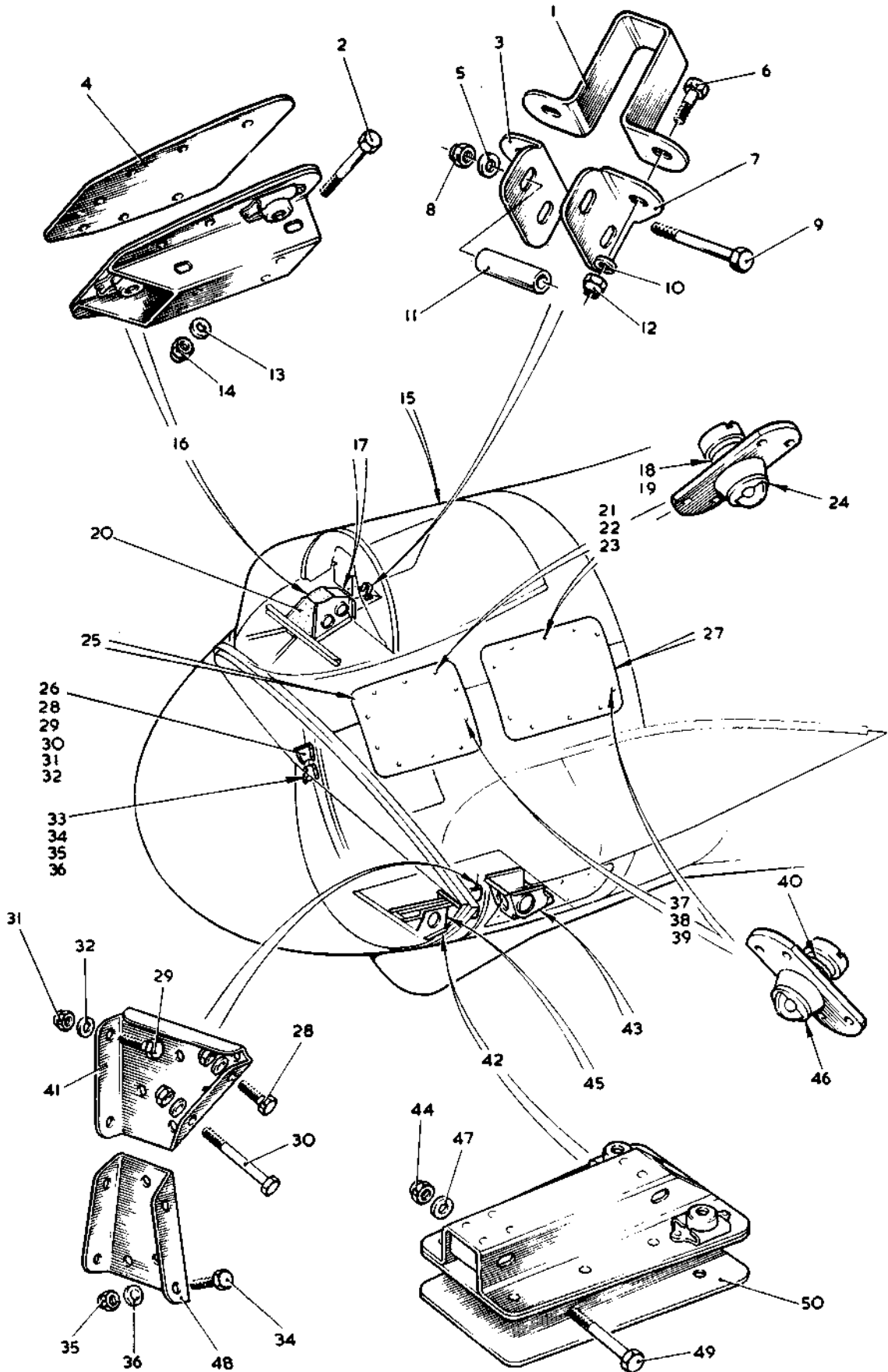


FIG.II FRONT FUSELAGE STRUCTURE
Restricted

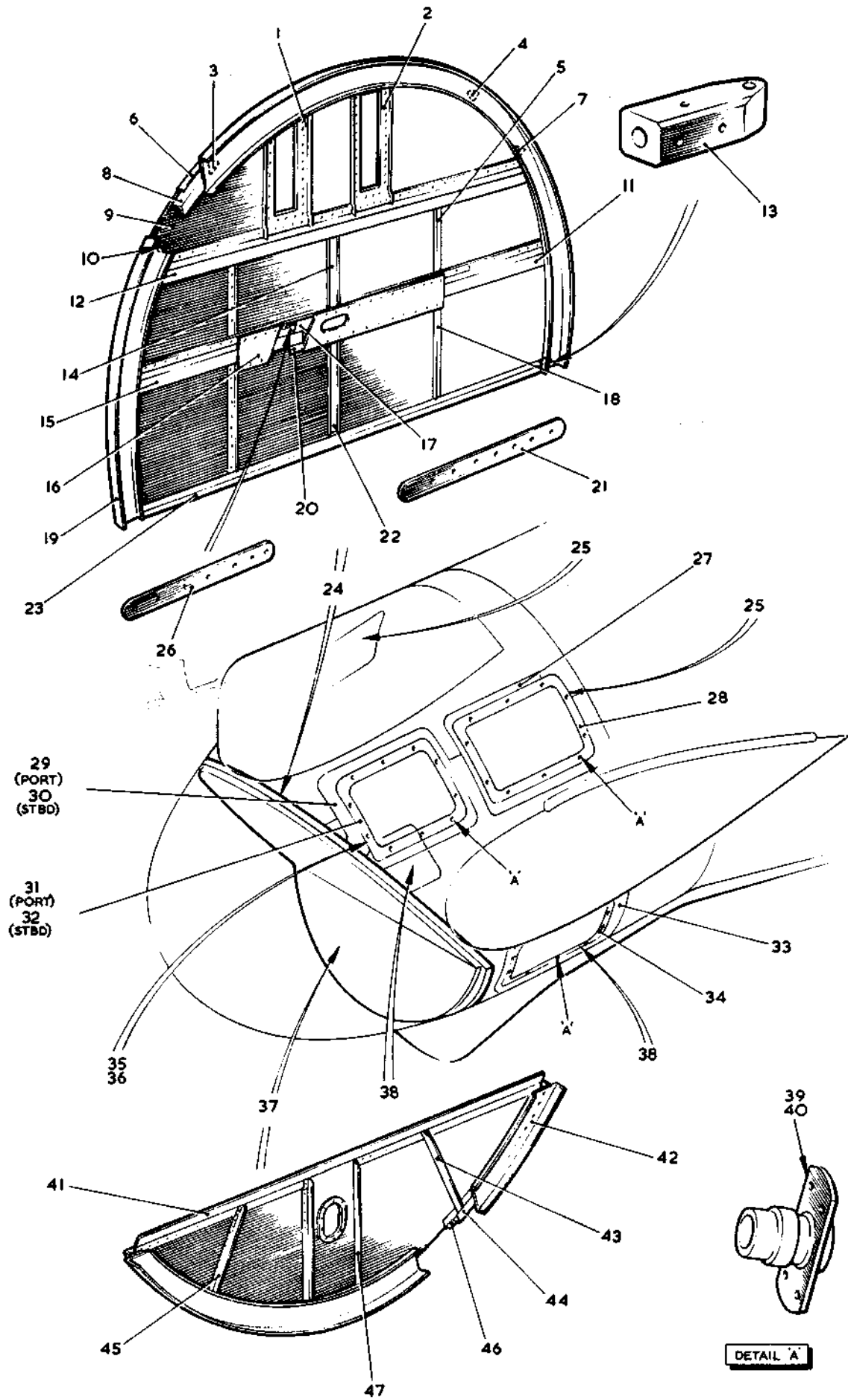


FIG.12. FRONT FUSELAGE STRUCTURE
Restricted

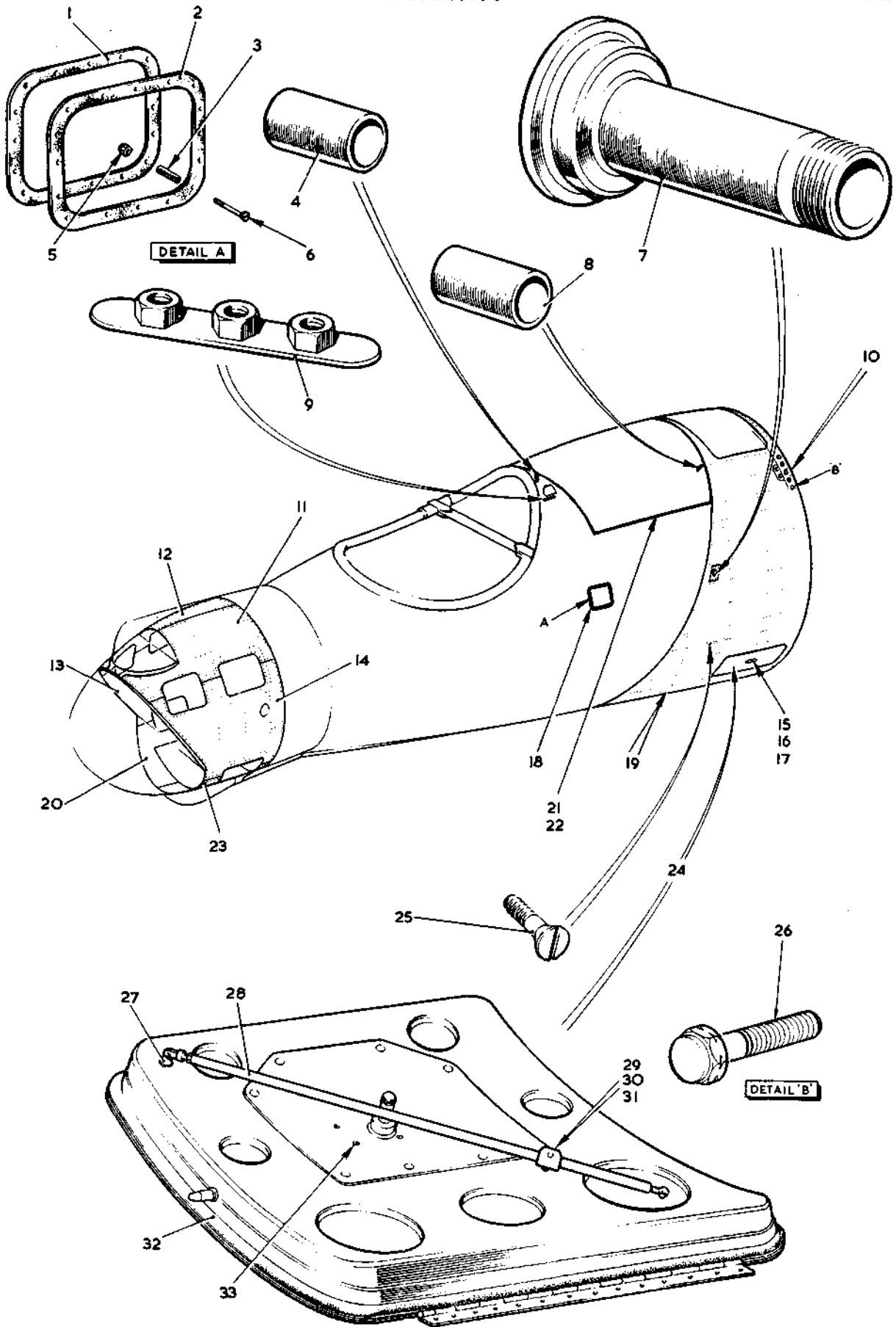


FIG 13 FRONT FUSELAGE STRUCTURE

Restricted

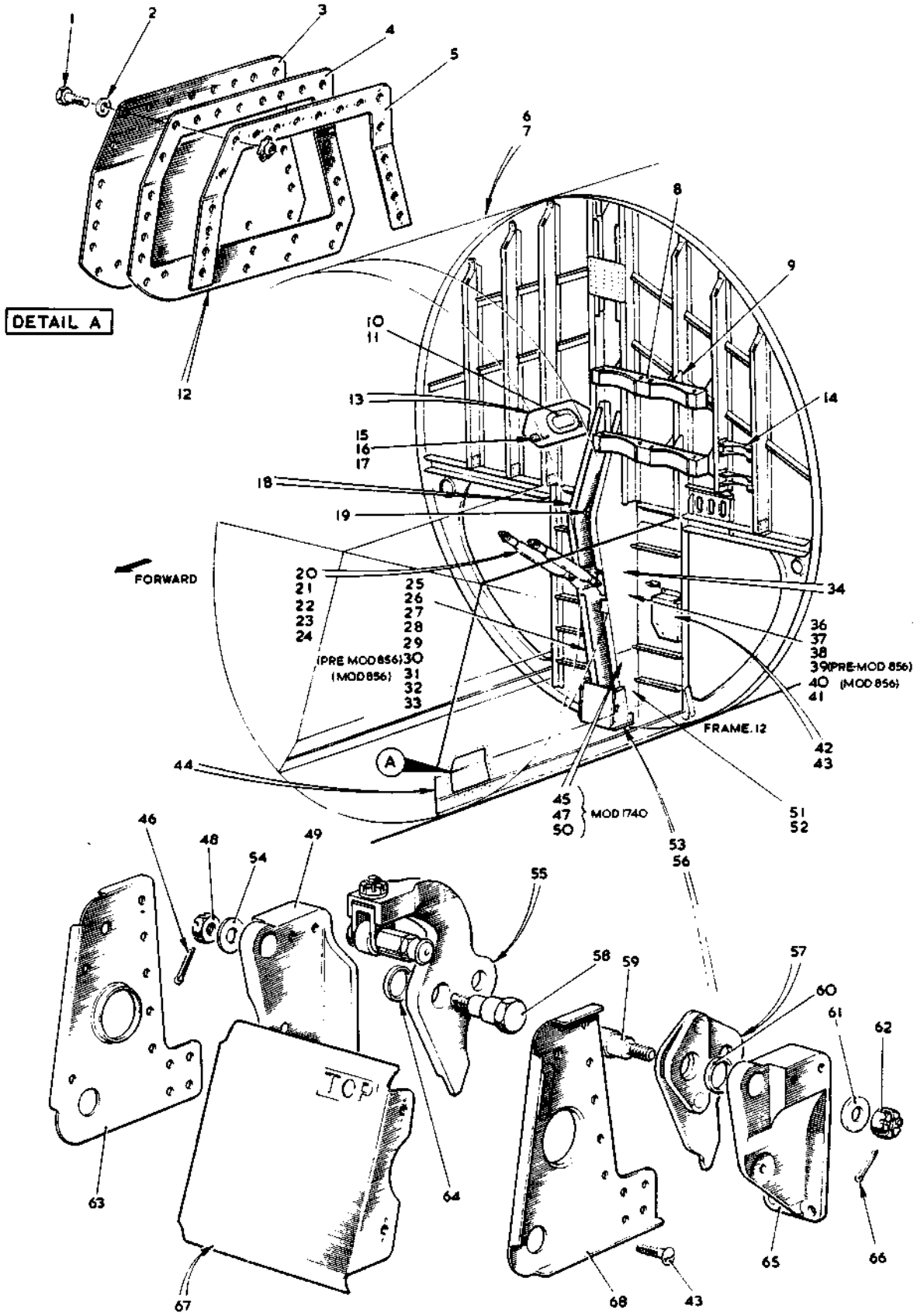


FIG.14 FRONT FUSELAGE STRUCTURE

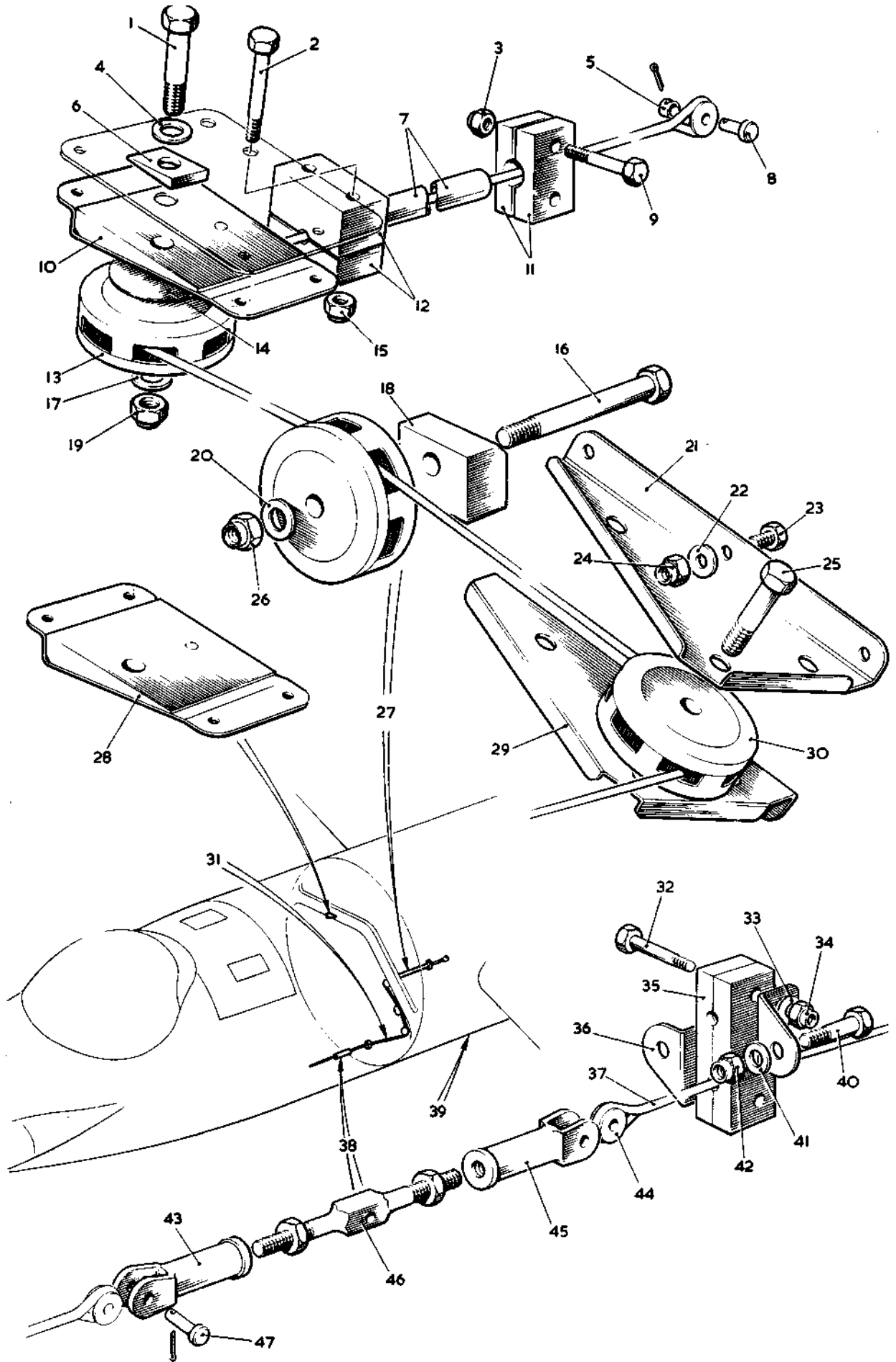


FIG.15 CENTRE FUSELAGE

Restricted

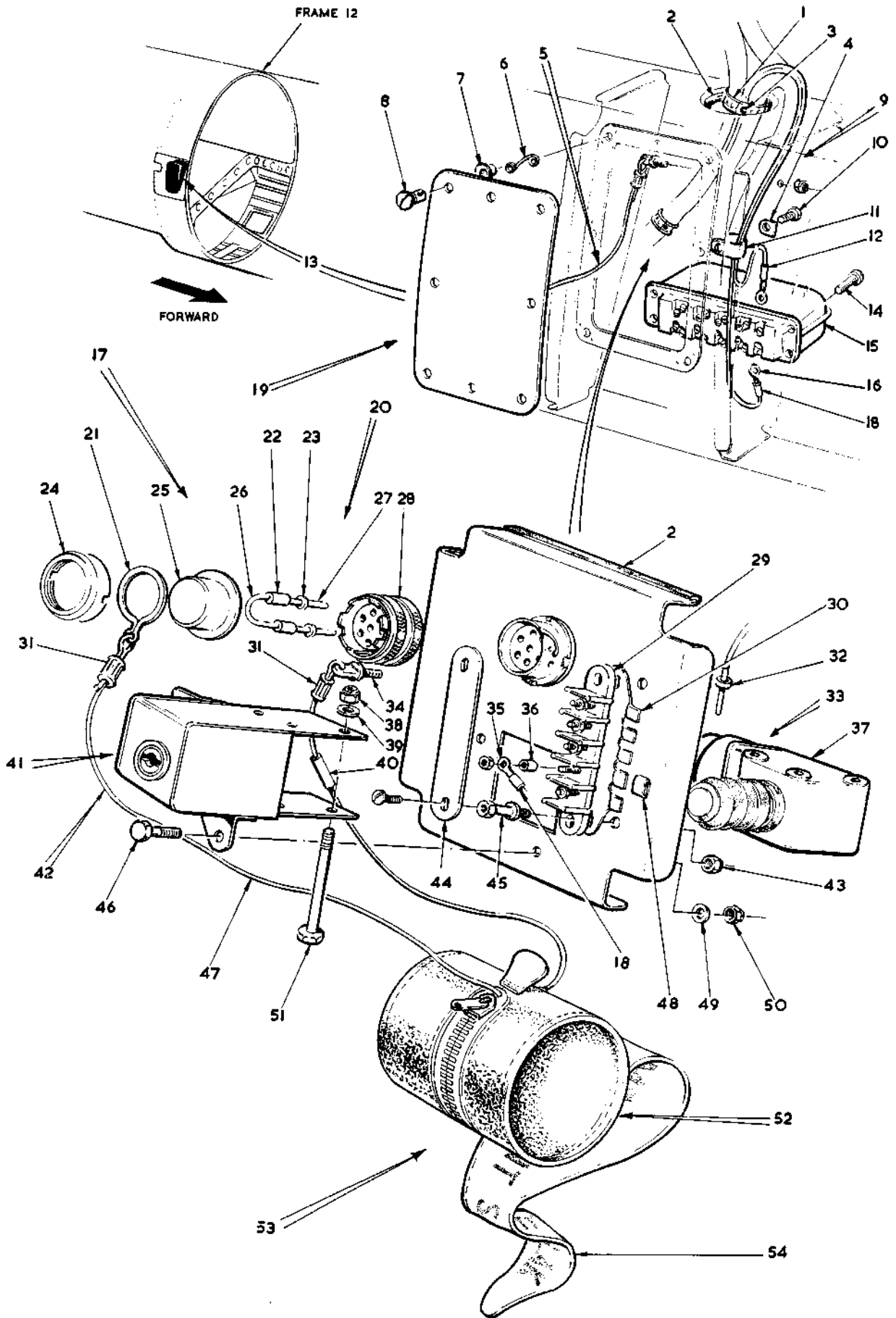


FIG. 16 CENTRE FUSELAGE

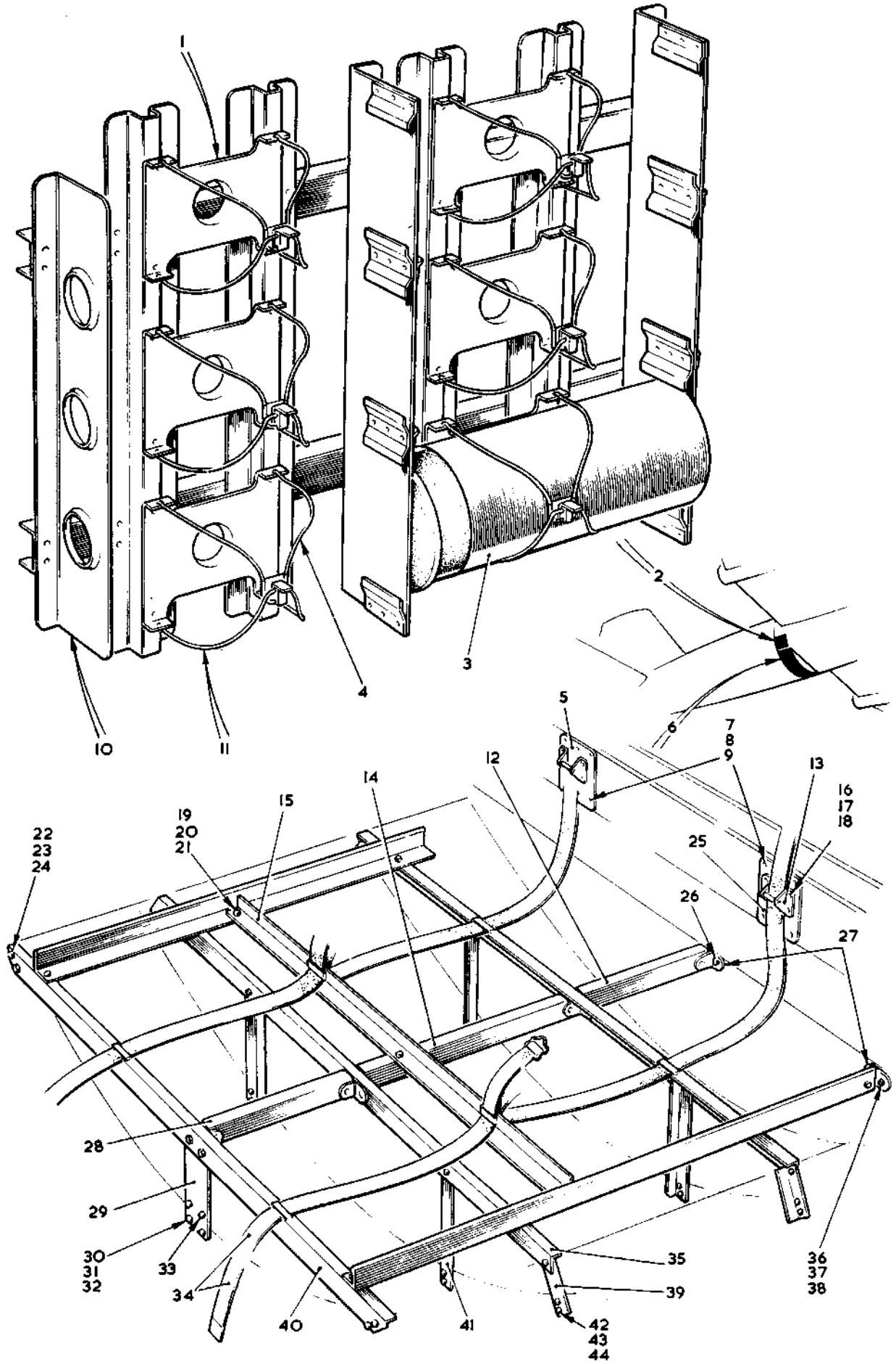


FIG. 17 CENTRE FUSELAGE
Restricted

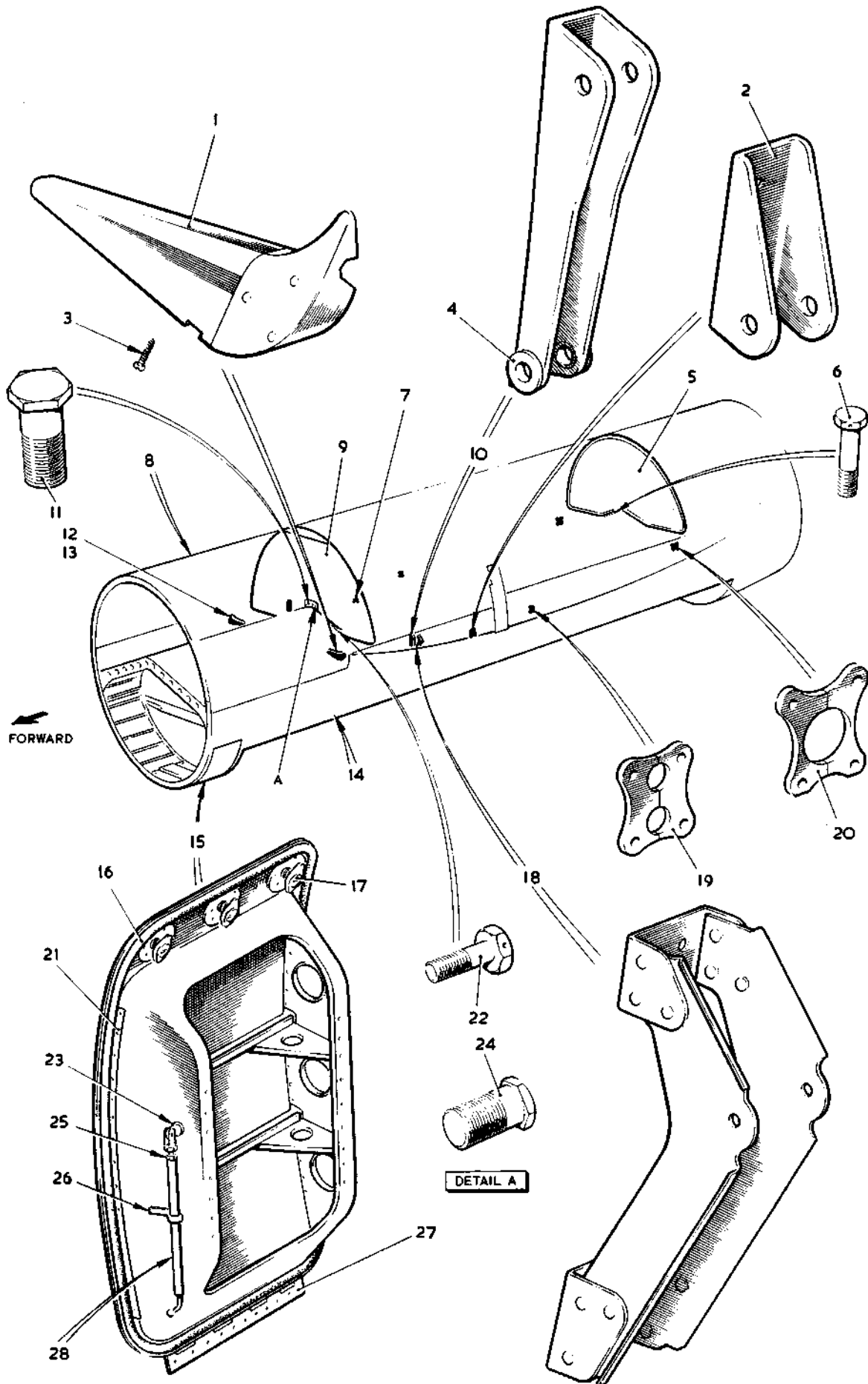


FIG.18 CENTRE FUSELAGE STRUCTURE
Restricted

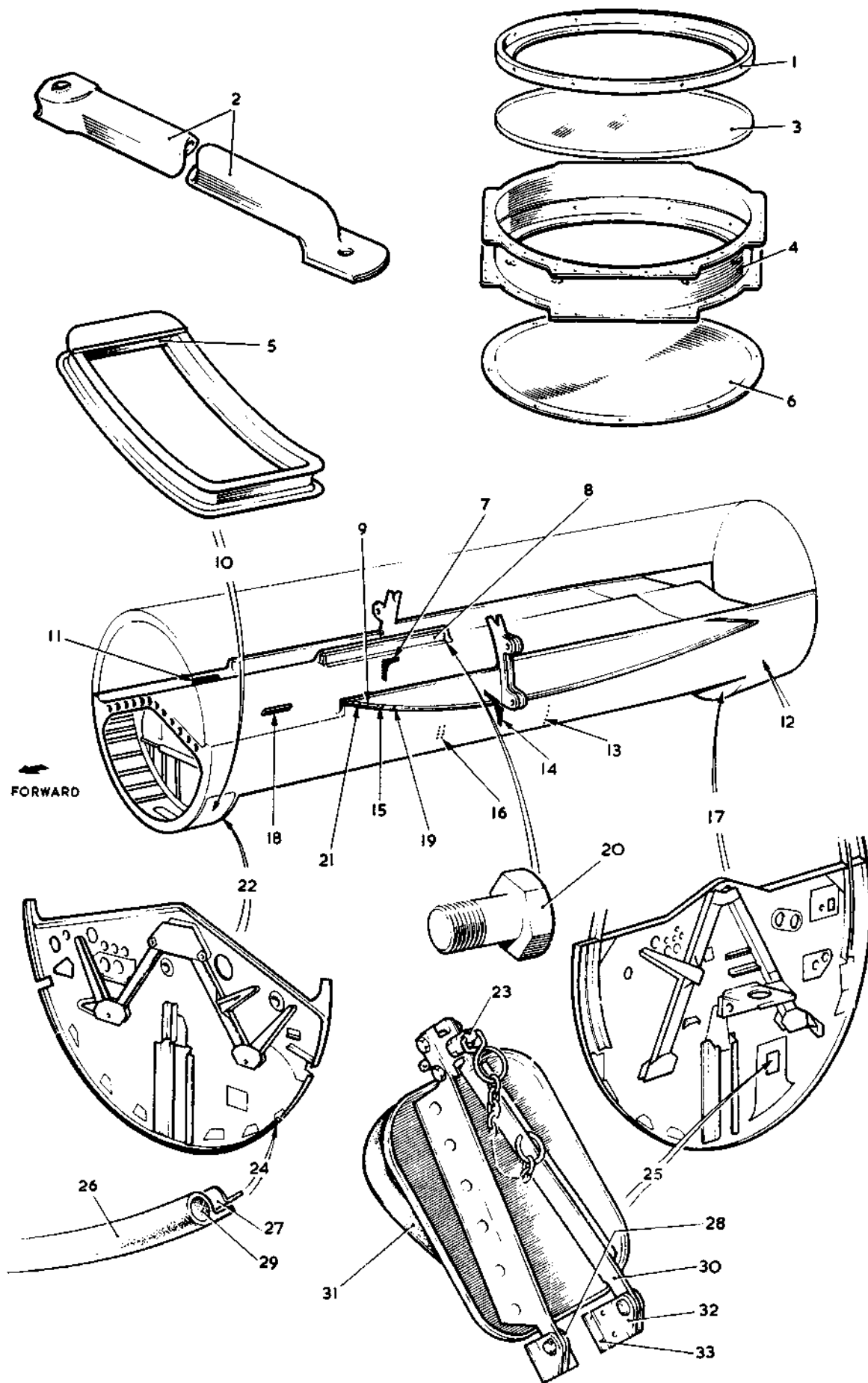


FIG 19 CENTRE FUSELAGE STRUCTURE
Restricted

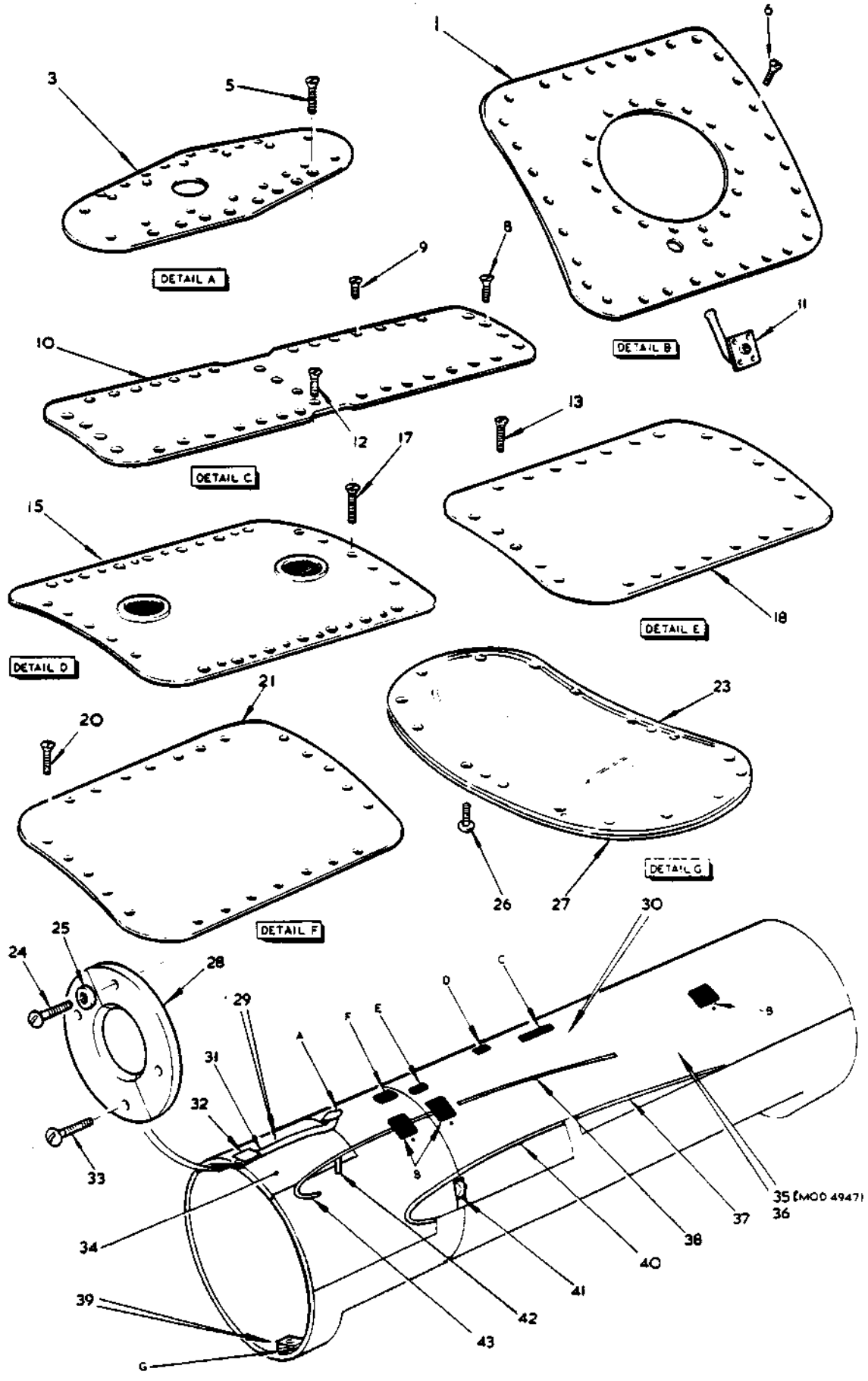


FIG.20 CENTRE FUSELAGE STRUCTURE

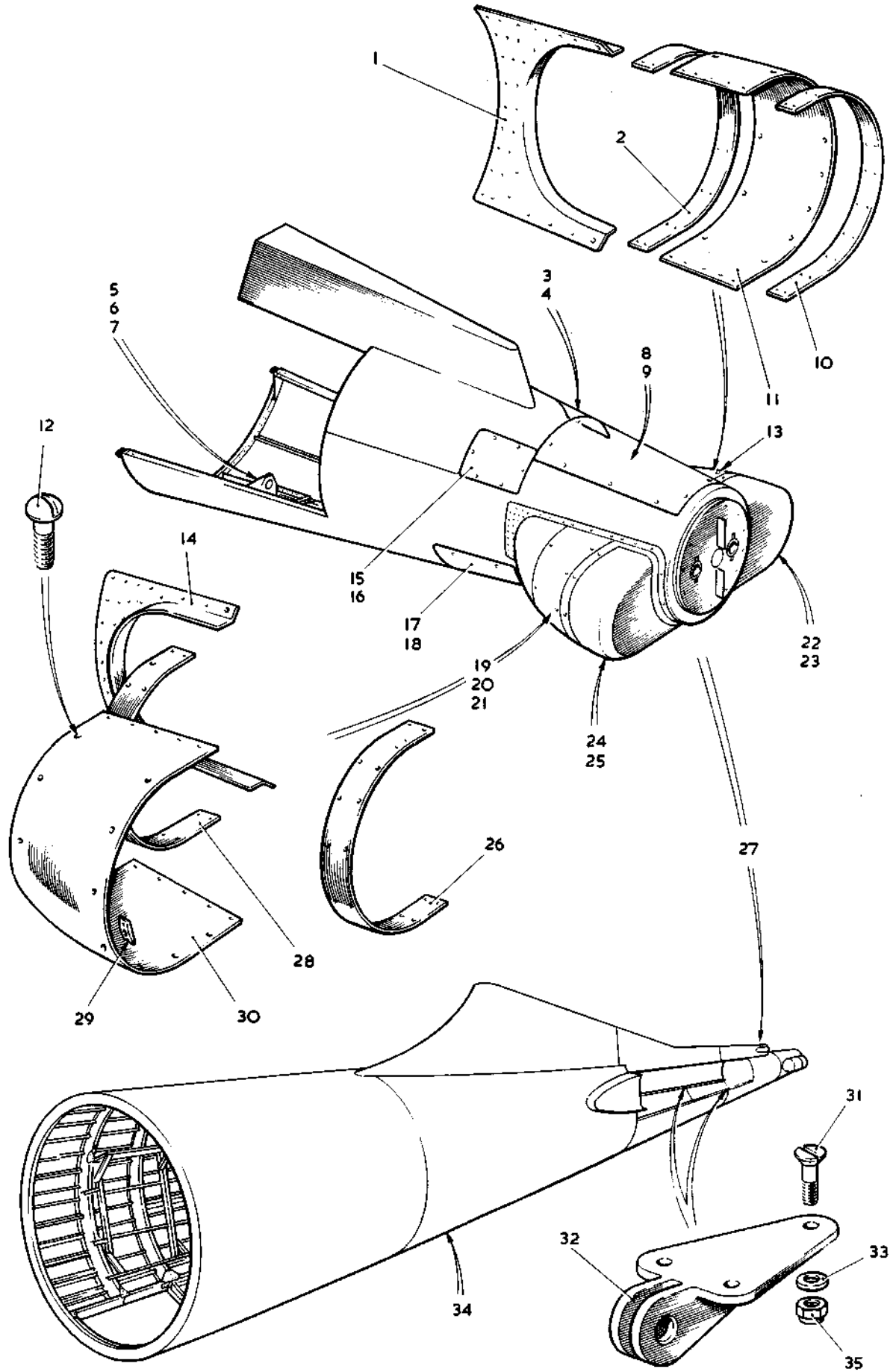


FIG. 21. REAR FUSELAGE AND TAIL UNIT
Restricted

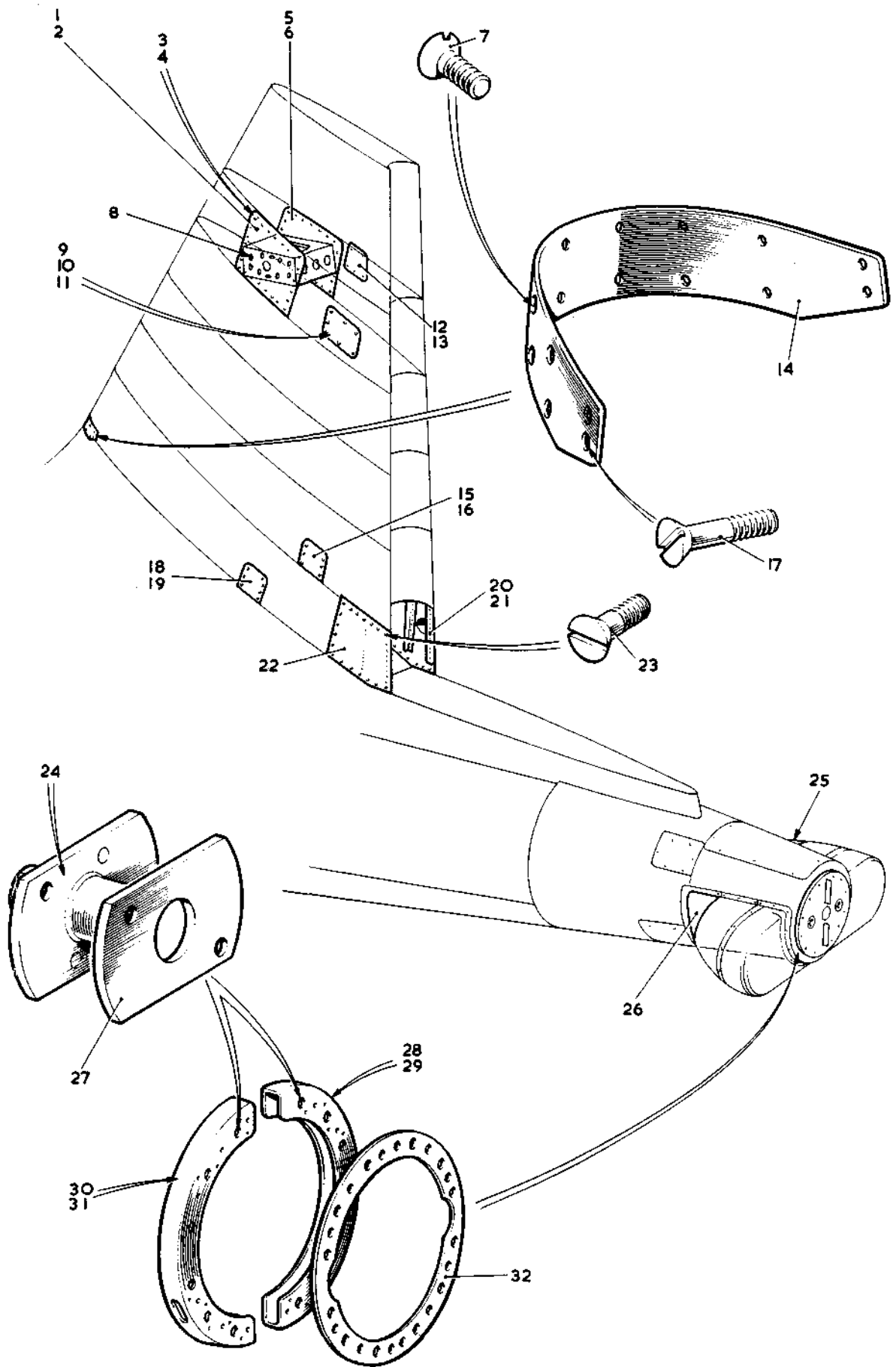


FIG.22 REAR FUSELAGE AND TAIL UNIT
Restricted

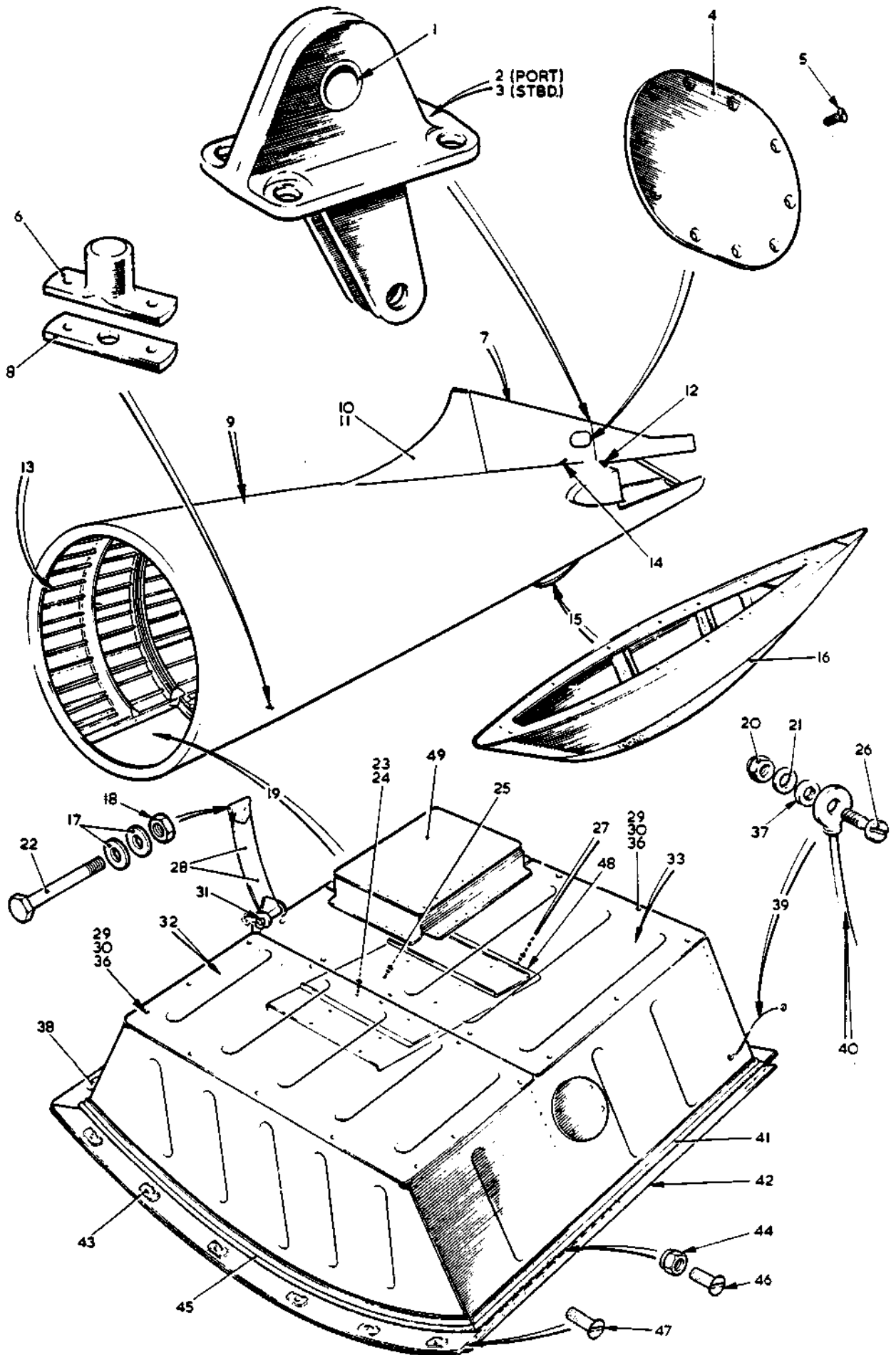


FIG. 23 REAR FUSELAGE AND TAIL UNIT

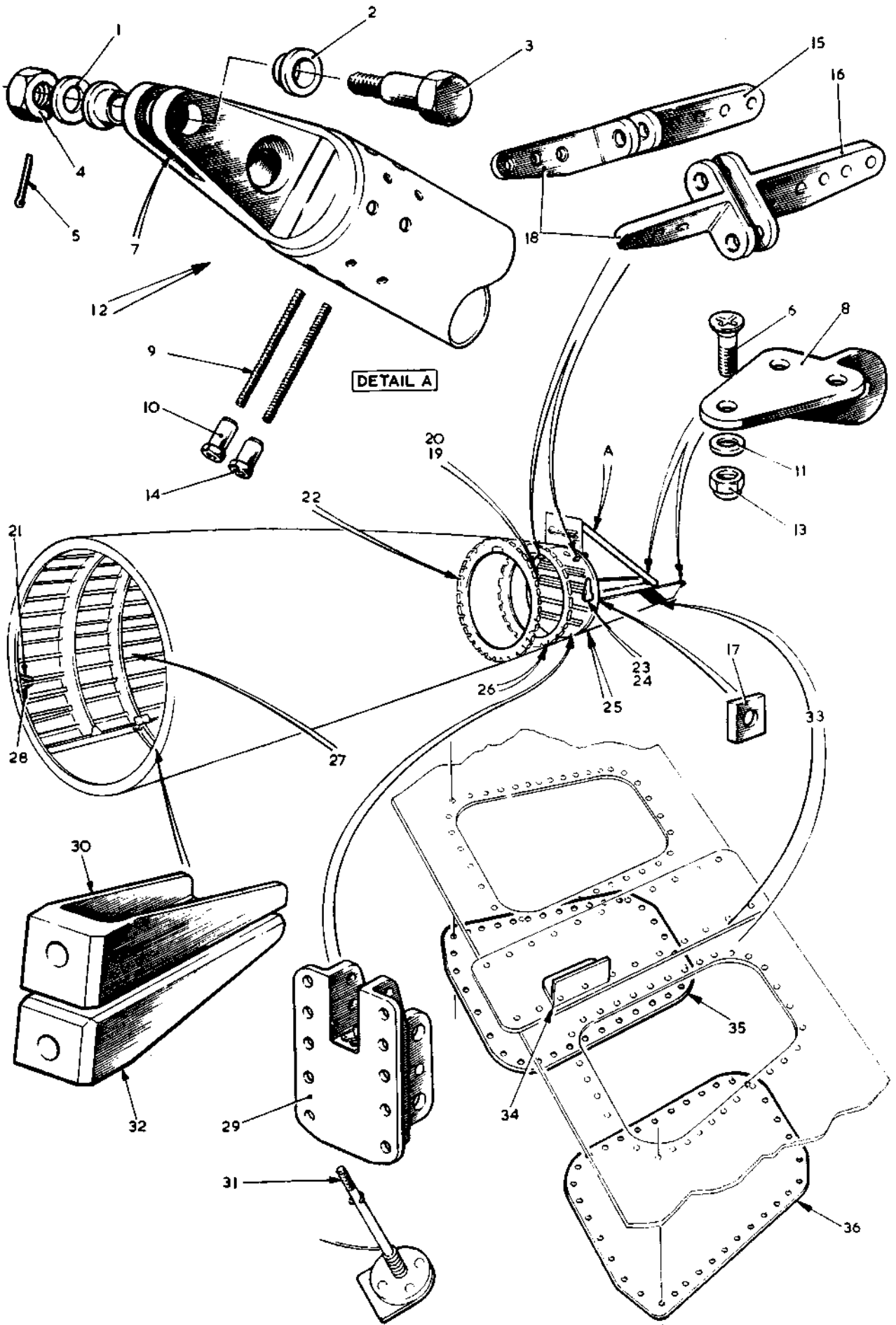


FIG. 24. REAR FUSELAGE AND TAIL UNIT
Restricted

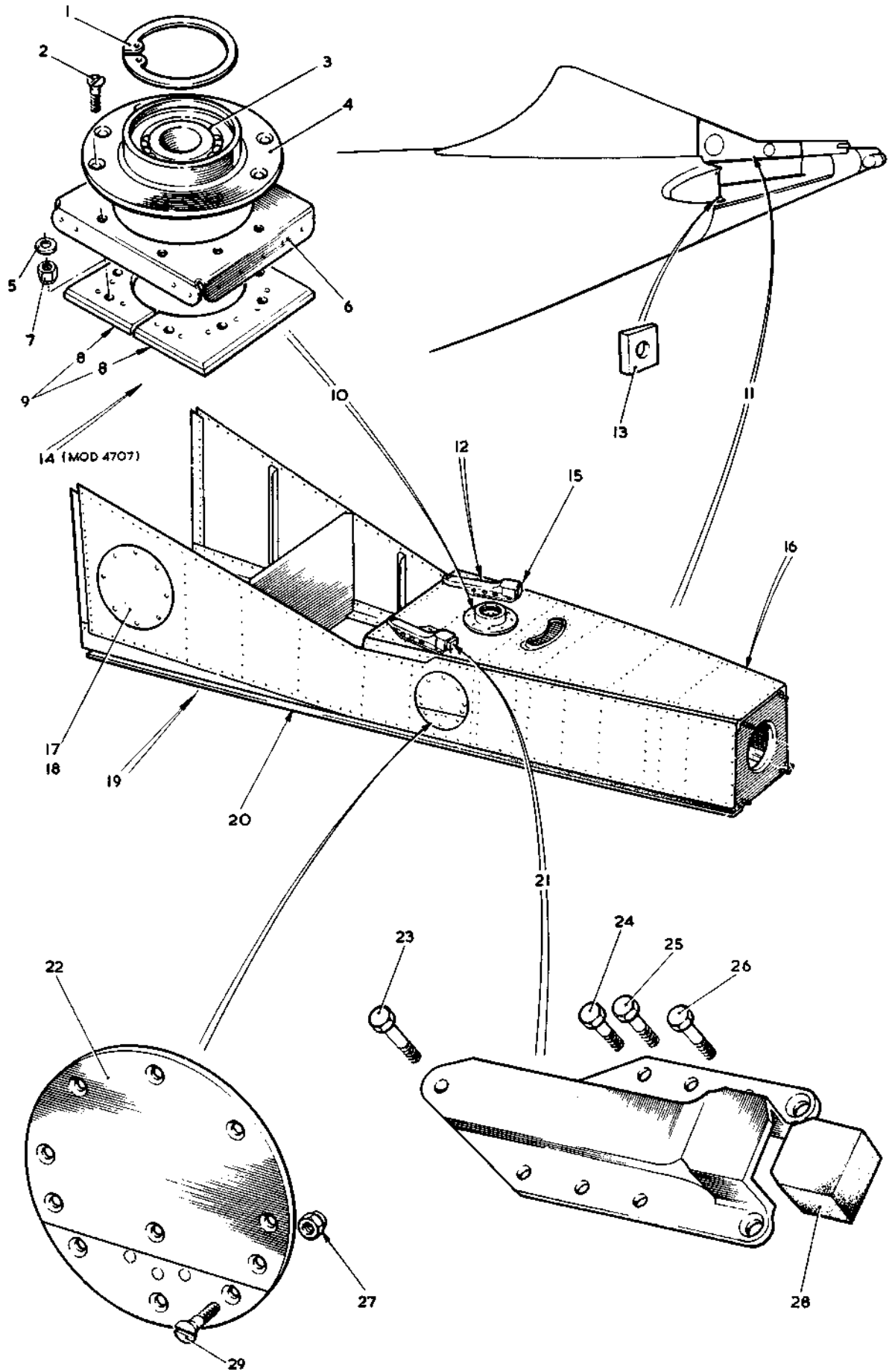


FIG 25. REAR FUSELAGE AND TAIL UNIT
Restricted

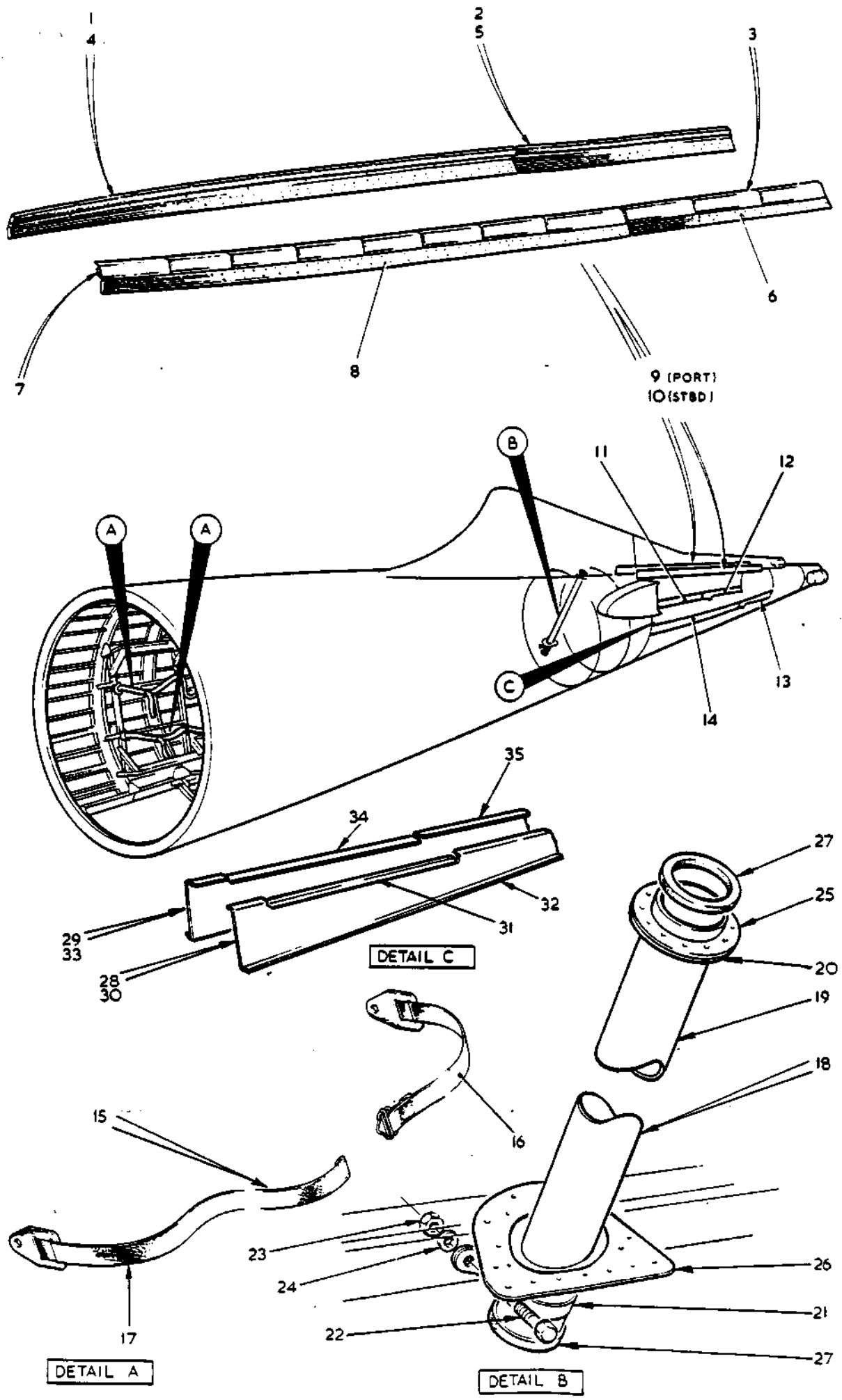


FIG.26 REAR FUSELAGE AND TAIL UNIT

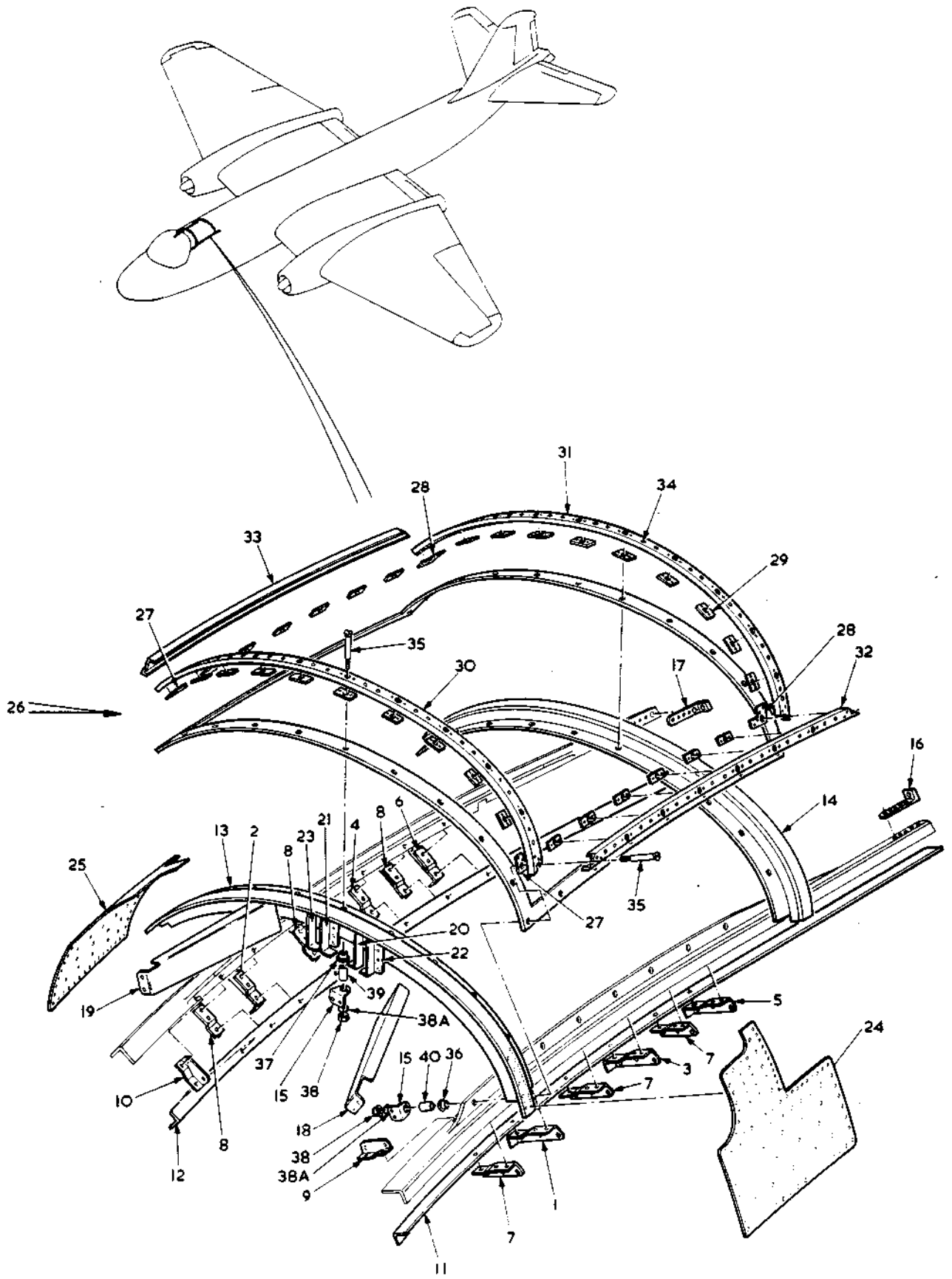


FIG.27 FRONT FUSELAGE STRUCTURE

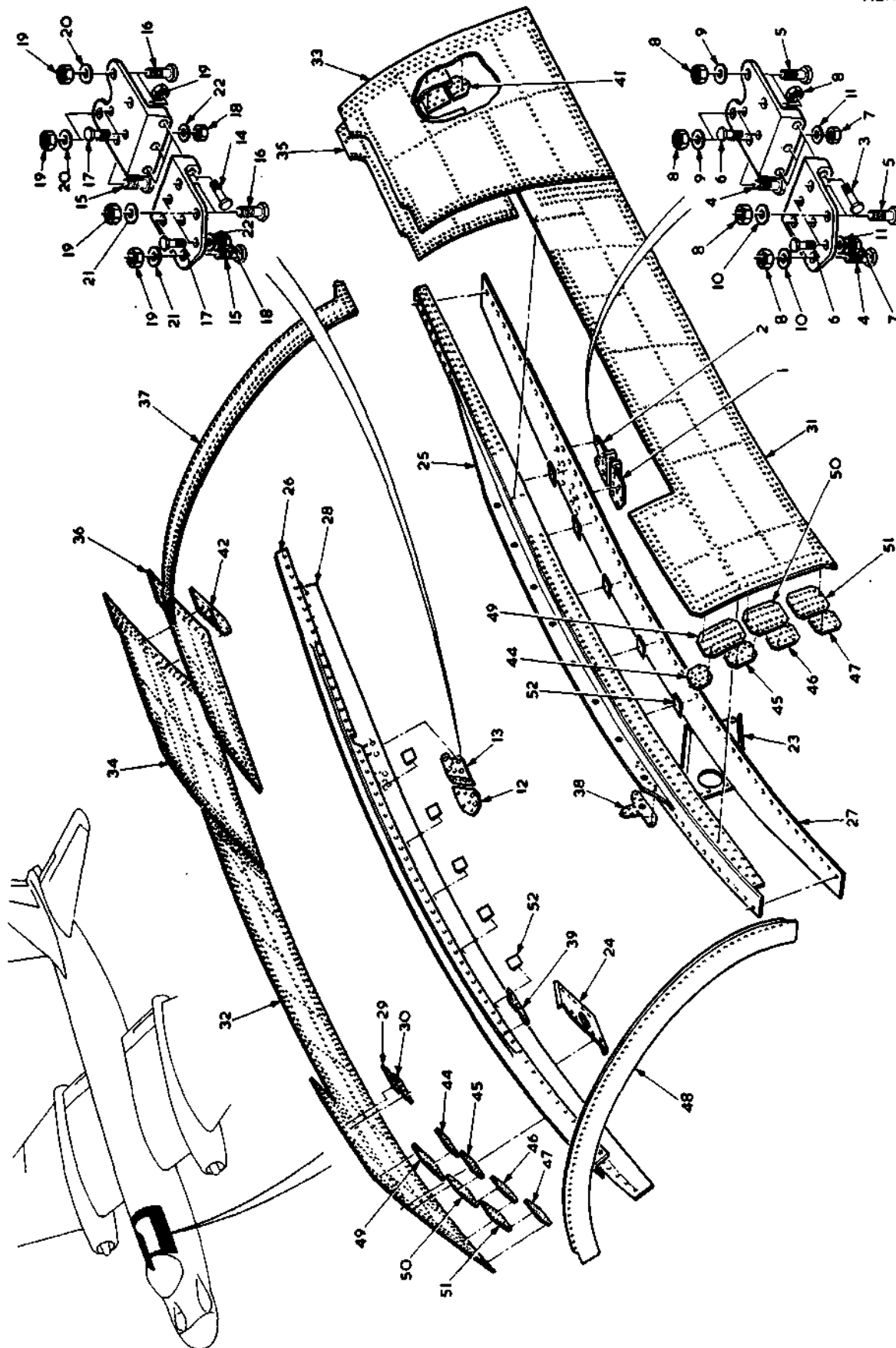


FIG. 28. FRONT FUSELAGE STRUCTURE

Restricted

AL.13

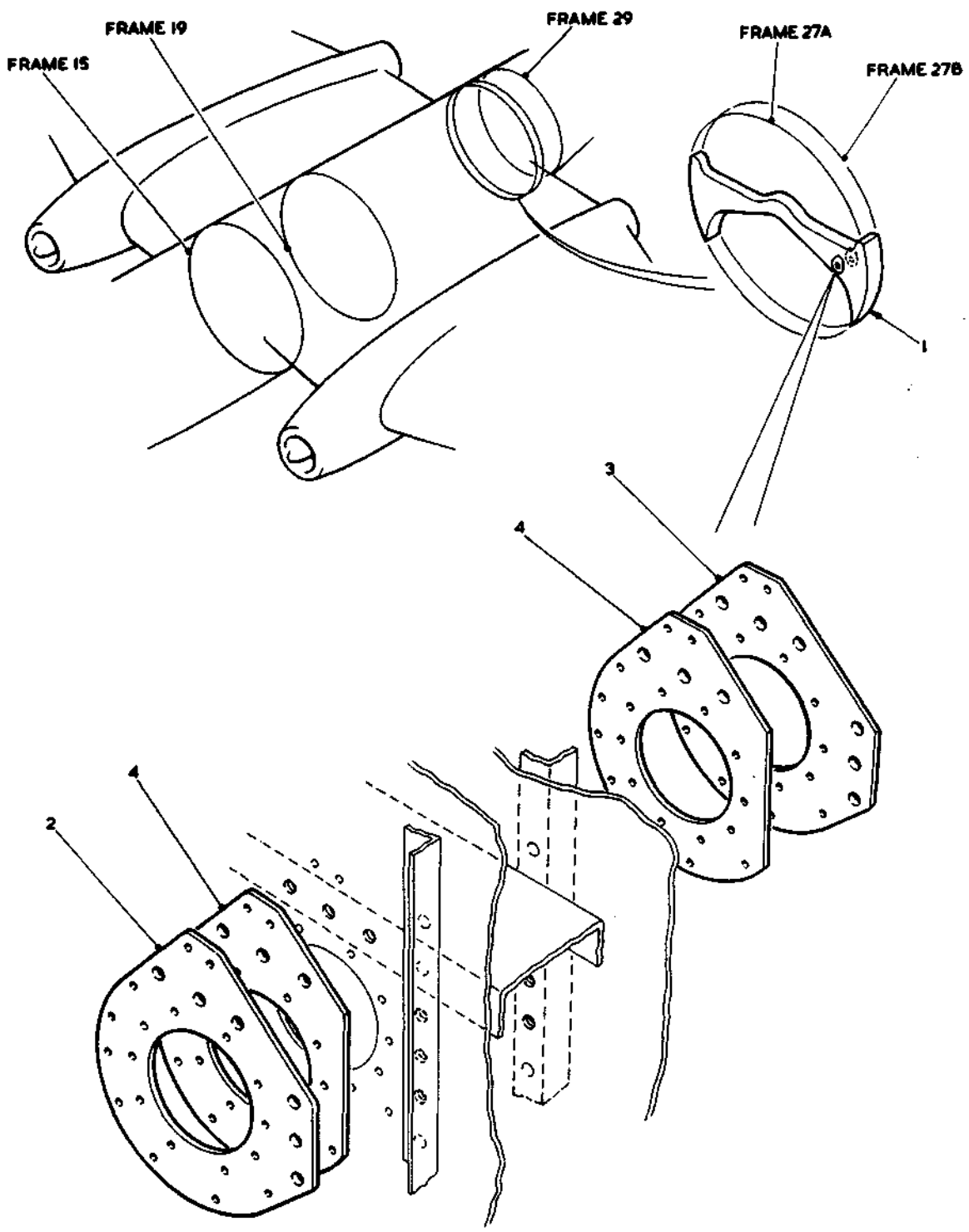


FIG.29. CENTRE FUSELAGE STRUCTURE

T. MK.17 SECT. H

Restricted

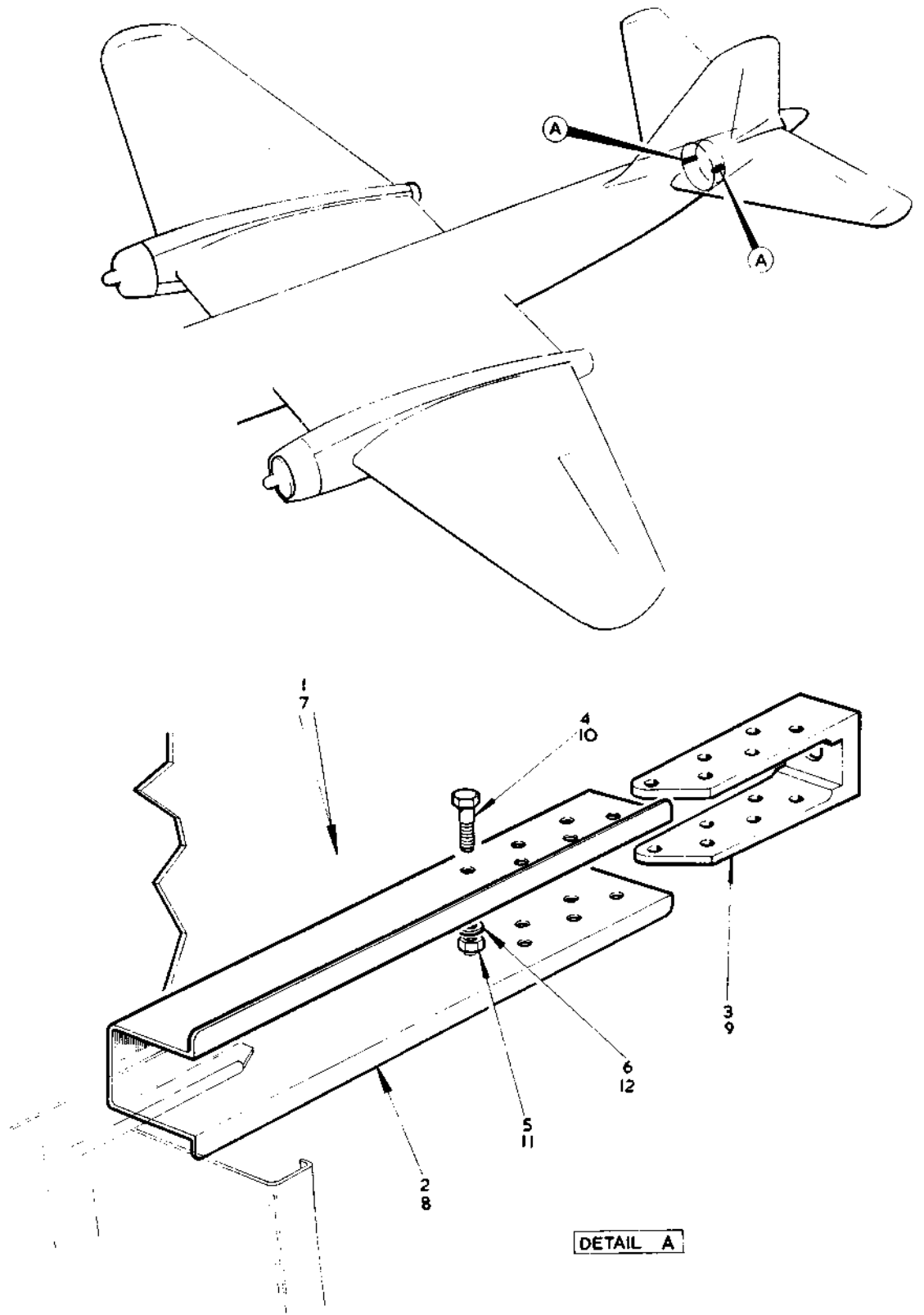
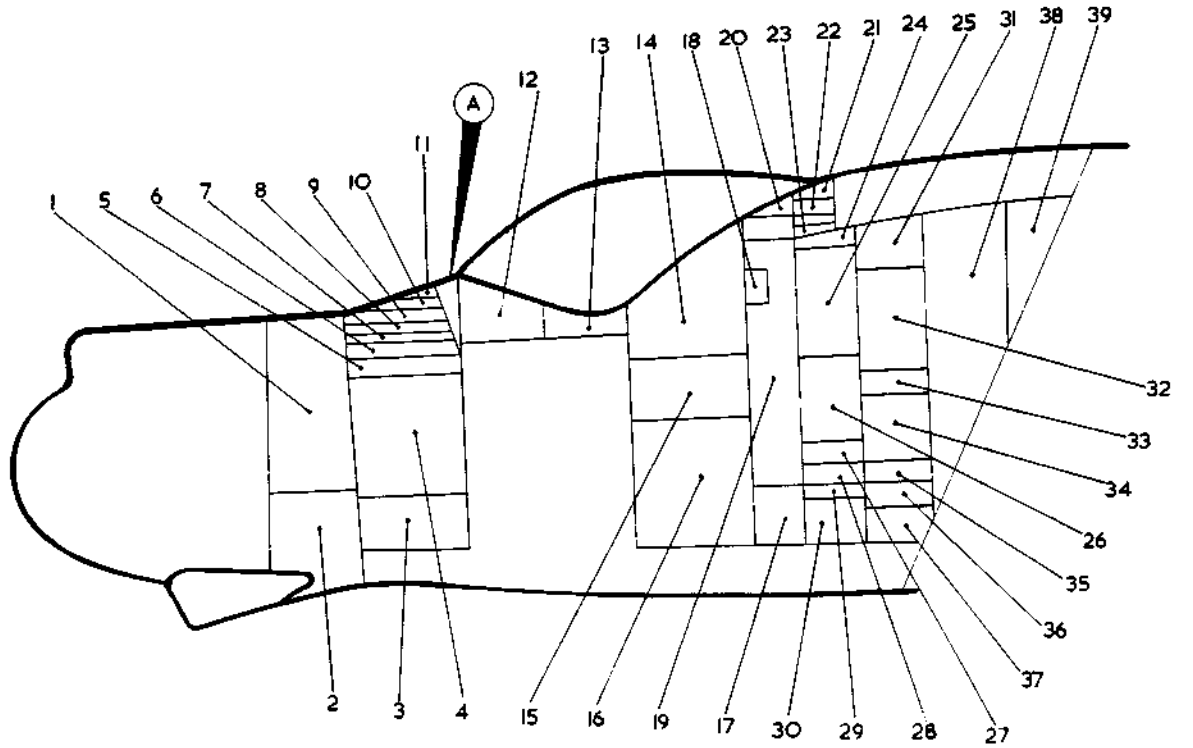
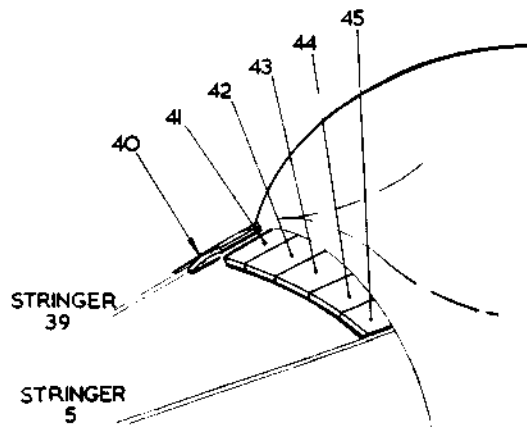


FIG.30 REAR FUSELAGE STRUCTURE



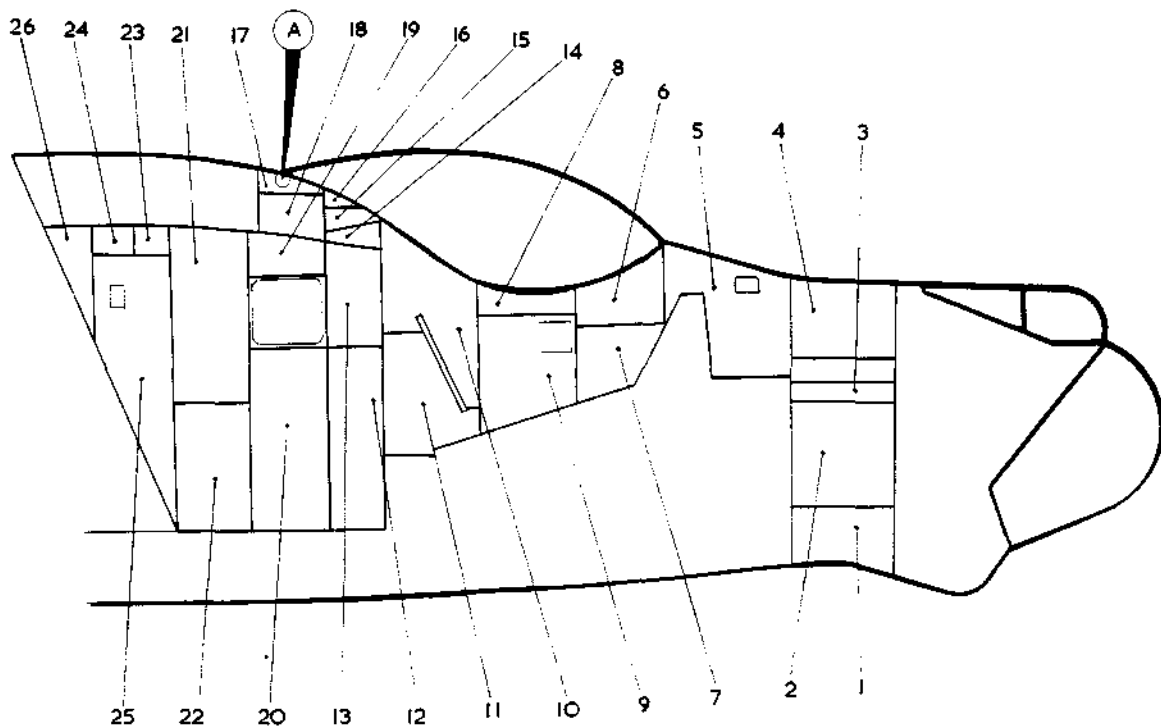
VIEW ON STBD WALL



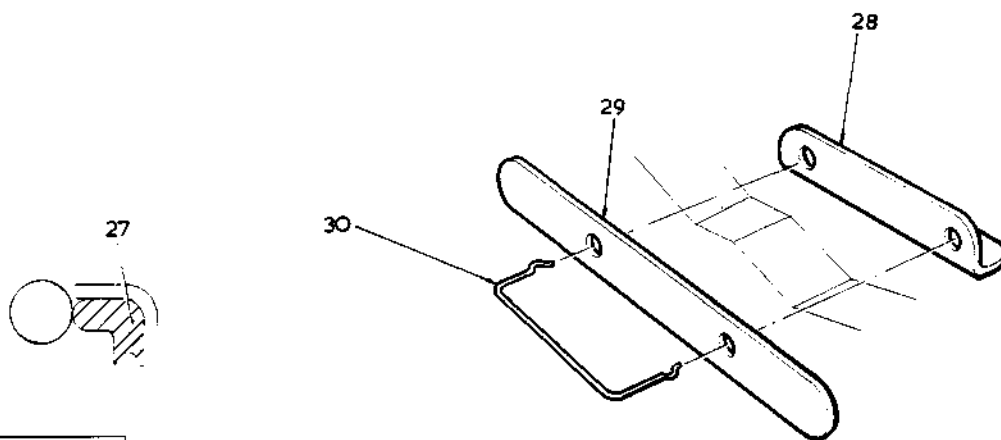
FRAME 2

DETAIL A

FIG 31 FRONT FUSELAGE STRUCTURE



VIEW ON PORT WALL



TYPICAL FASTENERS

FIG. 32 FRONT FUSELAGE STRUCTURE

T MK 17 SECT H

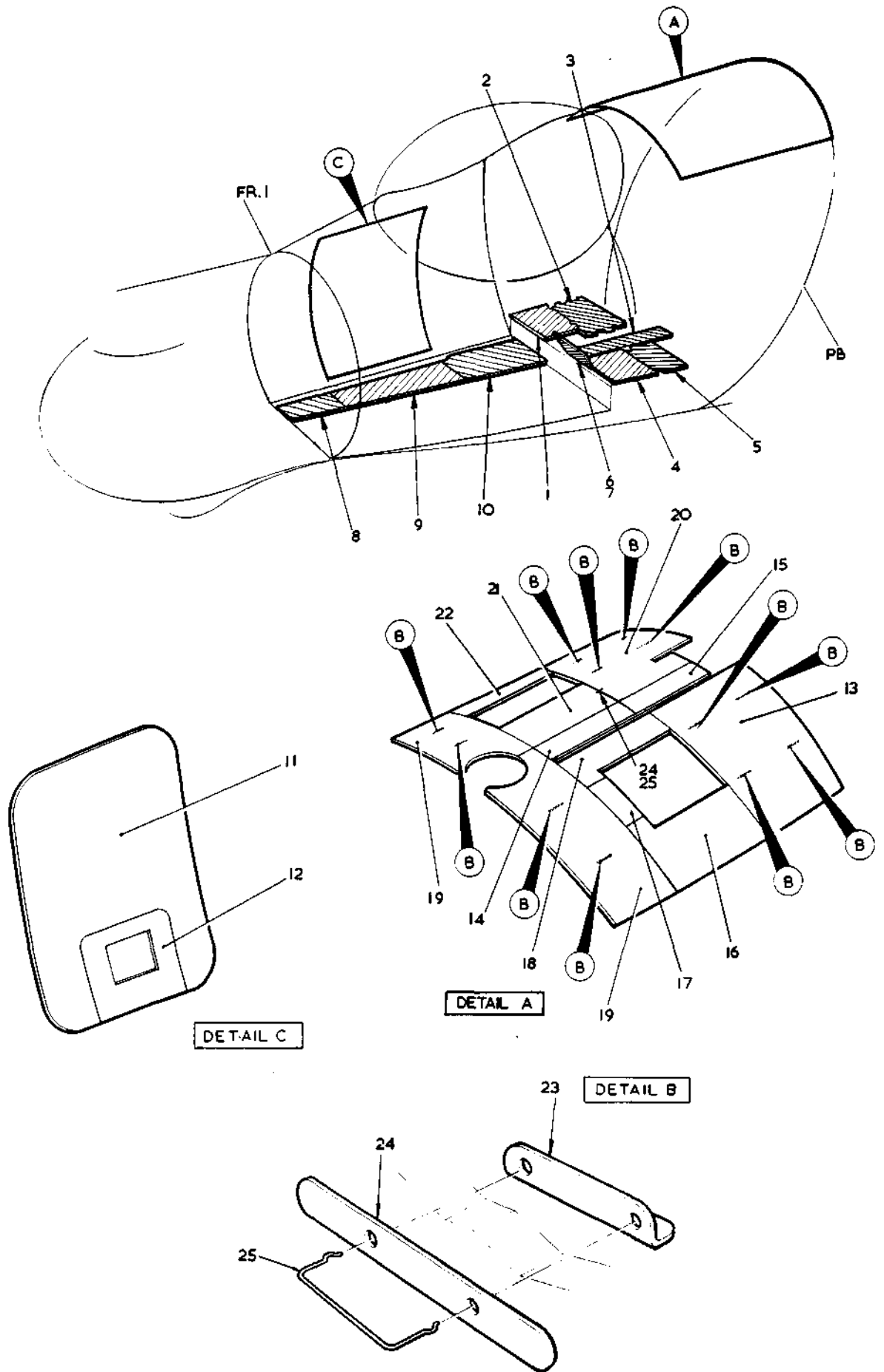
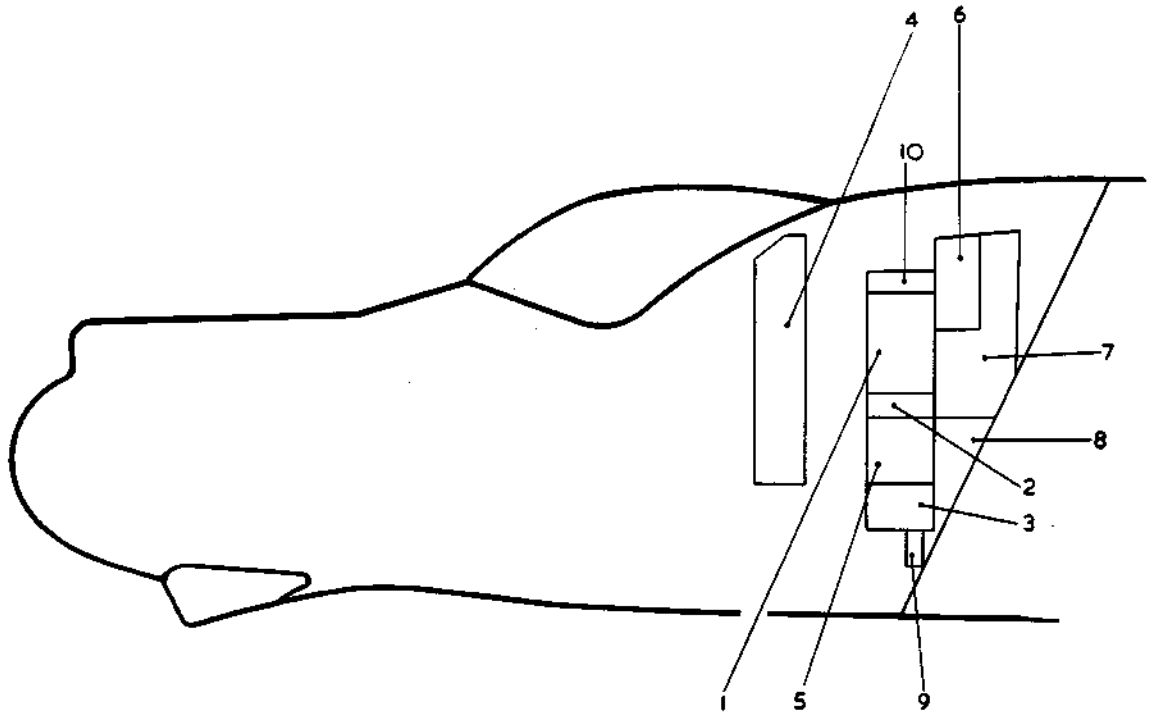
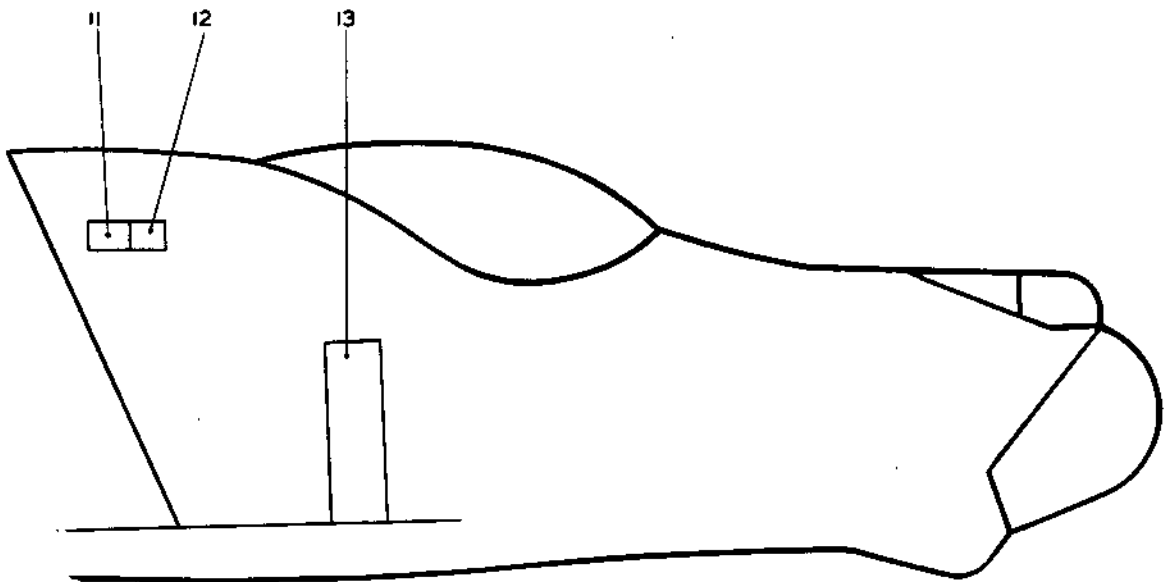


FIG 33 FRONT FUSELAGE STRUCTURE

T. MK 17 SECT H



VIEW ON STBD WALL



VIEW ON PORT WALL

FIG 34. FRONT FUSELAGE STRUCTURE
PRESSURE CABIN INSULATION

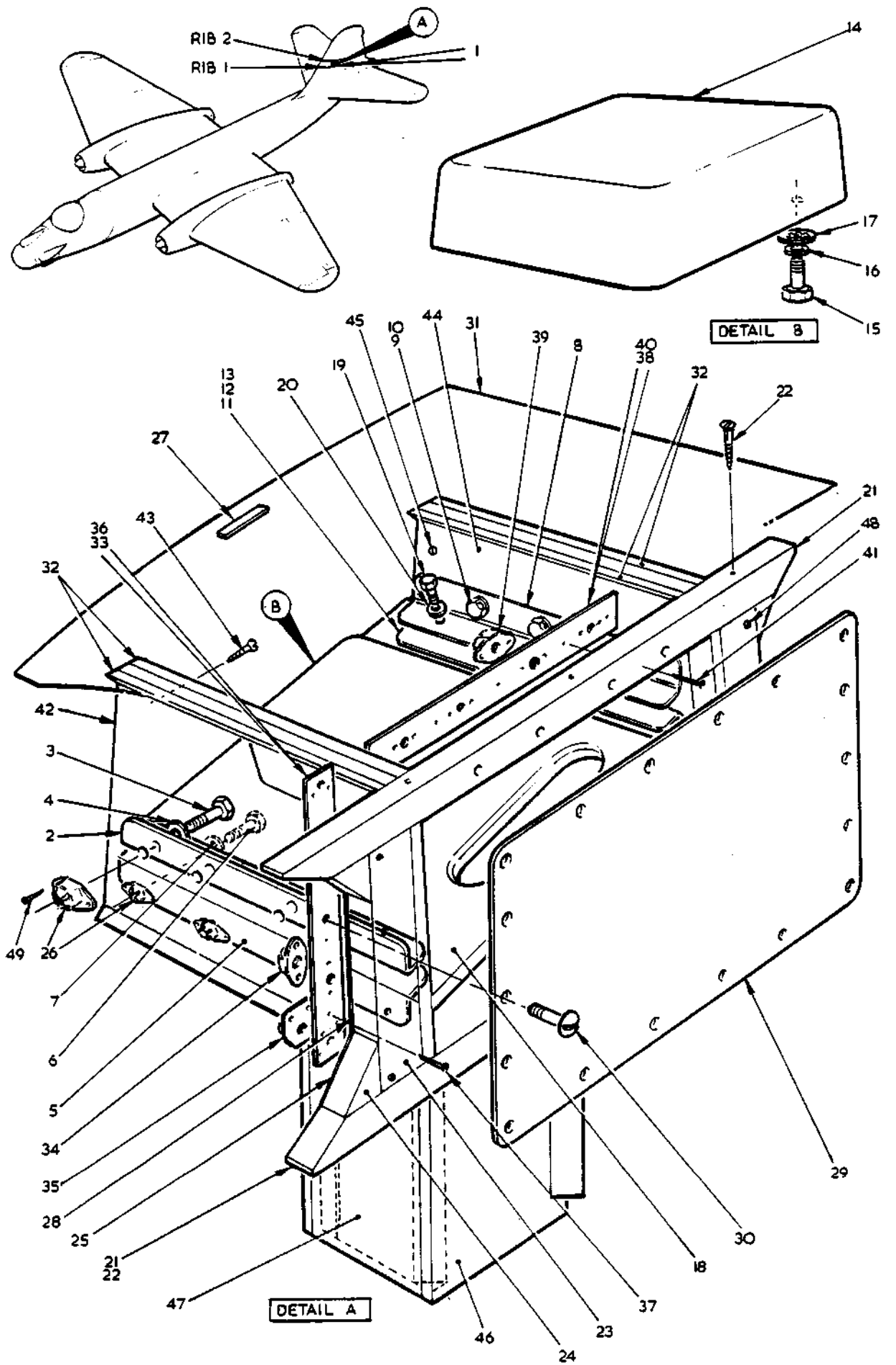


FIG.35 REAR FUSELAGE AND TAIL UNIT

This file was downloaded
from the RTFM Library.

Link: www.scottbouch.com/rtfm

Please see site for usage terms,
and more aircraft documents.



**TELEBRIEF
CONNECTIONS**

E