

A.P.101B-0417-3A

MAIN PLANE
AILERON, PORT

Part Number	Description	No. Off	Mtl. Spec.	Plate No.
EA3.24.1	. AILERON, PORT, ASSEMBLY (Pre Mod.5043)	1	-	1/31
EA3.00.5391	. AILERON, PORT, ASSEMBLY (Spare) (EA3.24.1) (Mod.5043)	1	-	
EA3.00.5483	. AILERON, PORT, ASSEMBLY (Spare) (EA3.24.217)	1	-	
R EB7.00.5209	. AILERON, PORT, ASSEMBLY (Spare) (EA3.24.227) (Mod.5111)	1	-	
R EB7.00.5243	. AILERON, PORT, ASSEMBLY (Spare) (EA3.24.227) (Mod.5119) (Pre Mod.5348) (Ailerons supplied c/w centre hinge shim EA1.24.901 Ref.5001, as a loose item to EA3.00.281)	1	-	
EA3.24.5 or EA3.24.221	. . . AILERON, REAR PORTION, ASSEMBLY	1	-	8/9
EA1.24.259	. . . CLIP, tab push rod fairing	1	Spring Steel	8/34
EA1.24.199	. . . HOUSING, bearing, tab hinge, outboard	1	L64	8/44
A25/3C	. . . Bolt, 2BA hex. head	3	-	8/47
A27/CP	. . . Nut, 2BA plain	3	-	8/46
SP15/C	. . . Washer, 2BA plain	3	-	8/49
SP16/C	. . . Washer, 2BA plain	3	-	8/48
EA1.24.247	. . . HOUSING, bearing, tab hinge, inboard	1	L40	8/14
A27/CP	. . . Nut, 2BA plain	4	-	8/25
EEAS1/2C	. . . Screw, 2BA 120° c'sk head	4	S96	8/21
SP15/C	. . . Washer, 2BA plain	4	-	8/24
EA1.24.261	. . . HOUSING, c/w bearing, tab hinge, centre	1	-	8/29
A25/3C	. . . Bolt, 2BA hex. head	2	-	8/39
AS1242/3C	. . . Bolt, 2BA c'sk head	1	-	8/36
A27/CP	. . . Nut, 2BA plain	3	-	8/31
SP16/C	. . . Washer, 2BA plain	3	-	8/33
-	. . . SPAR, AILERON, INBOARD (EA1.24.735 or (EA3.24.225)	-	-	8/51
EA1.24.197 or EA3.24.211	. . . BRACKET, hinge	1	-	8/53
-	. . . BRACKET, hinge	1	L92	8/55
-	. . . SPAR, AILERON, OUTBOARD (EA1.24.737 or EA3.24.223)	-	-	8/57
EA1.24.193 or EA3.24.213	. . . HOUSING, bearing	1	-	8/59
EA1.24.915	. . . HOUSING, bearing	1	L92	8/61
	. . . TAB, fixed	1	-	8/6

MAIN PLANE
AILERON, PORT

Part Number	Description	No. Off	Matl. Spec.	Plate No.
-	. ATTACHMENT OF BEARING AT OUTBOARD HINGE RIB 20, ASSEMBLY (EA3.24.177) Consisting of:	-	-	8/19
SKEFCO	. . BEARING, ballrace	1	-	8/45
CBA3	. . CIRCLIP, internal	1	-	8/50
AGS2030/45	. ATTACHMENT OF TOP AND BOTTOM NOSE SKIN TO AILERON SPAR, ASSEMBLY (EA3.24.183) Spares for:	-	-	8/17
EA1.24.405	. . COVER, inspection, tab gear Attaching parts:	1	L72	8/8
EA3.24.191	. . Bolt, special, 2BA	6	S95	8/11
EA1.24.271	. . STOP, rubber, aileron control	2	S/H55	8/5
EA1.24.269	. FAIRING, aileron tab push rod	1	L59	8/12
-	. STATIC DISCHARGERS, INSTALLATION (E87.82.5663) (Mod.5119) Spares for:	1	-	8/63
CHELTON 2-11	. . DISCHARGER, static	2	-	8/65
CHELTON 2-23	. . MOUNTING	2	-	8/66
-	. TAB, AILERON HINGE, ASSEMBLY (EA3.24.175) Consisting of:	-	-	8/1
SKEFCO	. . BEARING, ballrace	2	-	8/16
CBA0	. . BOLT, special, aileron inboard, hinge	1	S96	8/15
EA1.24.231	. . BOLT, special, 2BA, tab control attachment	1	S96	8/43
EA1.24.263	. . CIRCLIP, internal	2	-	8/26
AGS2030/15	. . NUT, 2BA slotted	1	-	8/27
A27/CS	. . PIN, split	1	-	8/22
SP90/C5	. . TAB, AILERON, HINGE, ASSEMBLY (Pre Mod.5043)	1	-	8/3
EA1.24.923	. . TAB, AILERON, HINGE, ASSEMBLY (Spare) (EA1.24.923) (Mod.5043)	1	-	
EA3.00.5405	. . TAB, AILERON, ASSEMBLY (Spare) (EA1.24.923) (Mod.5111) (Pre Mod.5348)	1	-	
R EA3.00.5425	. . TAB, AILERON, ASSEMBLY Spares for (EA1.24.923) (Mod.5348)	1	-	
R EA3.00.5781	. . LUG, half, centre hinge Attaching parts:	1	L40	8/41
EA1.24.251	. . Bolt, 2BA hex. head	2	-	8/40
A25/1C	. . Bolt, 2BA c'sk head	1	-	8/32
AS1242/1C	. . Shim (If required, max. thick 0".022)	1	Lam. Alum.	8/42
EA1.24.955	. . LUG, half, centre hinge Attaching parts:	1	L40	8/23
EA1.24.252	. . Bolt, 2BA hex. head	2	-	8/35
A25/1C	. . Bolt, 2BA c'sk head	1	-	8/20
AS1242/1C	. . Shim (If required, max. thick 0".022)	1	Lam. Alum.	8/28
EA1.24.956	. . SOCKET, hinge, inboard and outboard	2	L40	8/37
EA1.24.227	. . SPINDLE, hinge, outboard	1	S11	8/38
EA1.24.229				

AILERON, PORT

Part Number	Description	No. Off	Matl. Spec.	Plate No.	
					1
-	. TUBE, TORQUE AND TAB OPERATING GEAR, ASSEMBLY (EA3.24.173 or EA3.24.219) Spares for:-	-	-		
HOFFMANN T.17	. . BEARING, ballrace	1	-	9/24	
HOFFMANN BAL.5/8"	. . BEARING, ballrace	1	-	9/9	
SKEFCO CBS.3	. . BEARING, ballrace	1	-	9/10	
EA1.24.225	. . BOLT, special, 1/4" BSF c'sk head blow back rod to bracket attachment, rib 4	3	S11	9/28	
EA1.24.263	. . BOLT, special, 2BA, tab control attachment	1	S65	9/41	
EA1.24.267	. . BOLT, special, 2BA, tab control attachment	1	S65	9/35	
EA1.24.195	. . BRACKET, support, rib 4 Attaching parts:-	1	L40	9/23	
A25/5E	. . Bolt, 1/4" BSF hex. head	2	-	9/18	
SP13/E	. . Washer, 1/4" BSF plain	2	-	9/19	
EA1.45.987	. . Washer, shim	2	-	9/22	
EA3.24.215	. . BUSH, aileron control stop (Alt.R60/74) (Mod.5101)	1	-	9/3	
AGS2030/22	. . CIRCLIP, internal	1	-	9/11	
AGS2030/26	. . CIRCLIP, internal	1	-	9/8	
AGS2031/22	. . CIRCLIP, external	1	L40	9/25	
EA1.24.243	. . LEVER, operating, tab torque tube Attaching parts:-	1	L40	9/30	
A25/10C	. . Bolt, 2BA hex. head	1	-	9/27	
A27/CS	. . Nut, 2BA slotted	1	-	9/37	
SP90/C7	. . Pin, split	1	-	9/38	
EA1.24.245	. . Washer, saddle	2	L40	9/29	

R

MAIN PLANE
AILERON, PORT

Part Number	Description	No. Off	Mtl. Spec.	Plate No.
EA3.24.207 ROB, TAB CONTROL OPERATING GEAR, ASSEMBLY Spares for:—	1	—	9/20
EA1.24.331 BOLT, special, 2BA, blow back rod to torsion tube attachment	4	S11	9/7
EA1.24.353 LEVER, CONTROL ARM, TAB OPERATING, ASSEMBLY Spares for:—	1	—	9/4
EA1.24.359 BOLT, special, spool attachment	4	S11	9/13
EA1.24.953 LEVER, C/W BALLRACE, ASSEMBLY Consisting of:—	1	—	9/14
SKEFCO				
CBA.2 BEARING, ballrace	1	—	9/6
EEAS.3/D HOUSING, ballrace	1	L65	9/1
EA1.24.355 LEVER, arm	1	L40	9/15
EEAS.4/20C WASHER, packing	2	L72	9/2
AGS2002/C/1 NUT, stiff, 2BA	4	—	9/17
EA1.24.913 SPOOL	1	—	9/12
EA1.24.221 ROD, blow back	1	S96	9/26
EA3.24.205 TUBE, torsion, assembly	1	L65	9/16
EK5.24.601 ROD, push, assembly (Alt.R60/14) (Mod.5101) (Pre-Mod.5473)	1	—	9/40
EA3.24.229 ROD, push, assembly (Mod.5473) Spares for:—	1	—	
HOFFMANN				
CM2A BEARING, ball, rod end	1	—	9/39
EA1.24.899 NUT, special, lock	1	S95	9/31
EK5.24.603 SOCKET, assembly	1	—	9/36
EA1.24.391 TUBE, distance	2	—	9/32

MAIN PLANE

AILERON, STARBOARD

Part Number	Description	No. Off	Mtl. Spec.	Plate No.
EA3.24.2	AILERON, STARBOARD, ASSEMBLY (Pre Mod.5043)	1	-	1/32
EA3.00.5392	AILERON, STARBOARD, ASSEMBLY (Spares for EA3.24.2) (Mod.5043)	1	-	
EA3.00.5484	AILERON, STARBOARD, ASSEMBLY (Spares for EA3.24.218) (Mod.5111)	1	-	
R EB7.00.5210	AILERON, STARBOARD, ASSEMBLY (Spares for EA3.24.228) (Mod.5119) (Pre Mod.5348) (Aileron supplied c/w centre hinge shim EA1.24.901, Ref.5001 as a loose item to EA3.00.282)	1	-	
R EB7.00.5244	AILERON, STARBOARD, ASSEMBLY (Spares for EA3.24.228) (Mod.5348) Spares for:	1	-	
EA3.24.6 or EA3.24.222	AILERON, REAR PORTION, ASSEMBLY	1	-	8/10
EA1.24.269	Spares for: CLIP, tab, push rod, fairing	1	Spring Steel	8/34
EA1.24.199	HOUSING, bearing, tab hinge, outboard Attaching parts for EA1.24.199:	1	L64	8/44
A25/3C	Bolt, 2BA hex. head	3	-	8/47
A27/CP	Nut, 2BA plain	3	-	8/46
SP15/C	Washer, 2BA plain	3	-	8/49
SP16/C	Washer, 2BA plain	3	-	8/48
EA1.24.247	HOUSING, bearing, tab hinge inboard Attaching parts for EA1.24.247:	1	L40	8/14
A27/CP	Nut, 2BA plain	4	-	8/25
EEAS1/2C	Screw, 2BA 120° c'sk head	4	S96	8/21
SP15/C	Washer, 2BA plain	4	-	8/24
EA1.24.262	HOUSING, c/w bearing, tab hinge, centre Attaching parts for EA1.24.262:	1	-	8/30
A25/3C	Bolt, 2BA hex. head	2	-	8/39
AS1242/3C	Bolt, 2BA c'sk head	1	-	8/36
A27/CP	Nut, 2BA plain	3	-	8/31
SP16/C	Washer, 2BA plain	3	-	8/33
-	SPAR, AILERON INBOARD (EA1.24.736 or EA3.24.226) Spares for:	-	-	8/52
EA1.24.198	BRACKET, hinge	1	-	8/54
EA3.24.212	BRACKET, hinge	1	L92	8/56
-	SPAR, AILERON OUTBOARD (EA1.24.738 or EA3.24.224) Spares for:	-	-	8/58
EA1.24.193	HOUSING, bearing	1	-	8/60
EA3.24.213	HOUSING, bearing	1	L92	8/62
EA1.24.916	TAB, fixed	1	-	8/7
-	ATTACHMENT OF BEARING AT OUTBOARD HINGE RIB 20, ASSEMBLY (EA3.24.177) Consisting of:	-	-	8/19
SKEFCO	BEARING, ballrace	1	-	8/45
CBA3	CIRCLIP, internal	1	-	8/50
AGS2030/45				

MAIN PLANE
AILERON, STARBOARD

Part Number	Description	No. Off	Matl. Spec.	Plate No.
-	. ATTACHMENT OF TOP AND BOTTOM NOSE SKIN TO AILERON SPAR, ASSEMBLY (EA3.24.184) Spares for:	-	-	8/18
EA1.24.405	. COVER, inspection, tab gear Attaching parts for EA1.24.405:	1	L72	8/8
EA3.24.191	. Bolt, special, 2BA	6	S95	8/11
EA1.24.271	. STOP, rubber, aileron control	1	S/H55	8/5
EA1.24.270	. FAIRING, aileron tab push rod	1	L59	8/13
-	. STATIC DISCHARGERS, INSTALLATION (EB7.82.5664) (Mod.5119) Spares for:	1	-	8/64
CHELTON 2-11	. DISCHARGER, static	2	-	8/65
CHELTON 2-23	. MOUNTING	2	-	8/66
-	. TAB, AILERON, HINGE, ASSEMBLY (EA3.24.176) Consisting of:	-	-	8/2
SKEFCO CBA0	. BEARING, ballrace	2	-	8/16

R

MAIN PLANE
AILERON, STARBOARD

Part Number	Description 1 2 3 4 5 6	No. Off	Matl. Spec.	Plate No.

MAIN PLANE
AILERON, STARBOARD

Part Number	Description	No. Off	Mtl. Spec.	Plate No.					
				1	2	3	4	5	6
EA1.24.231	. . . BOLT, special, aileron inboard hinge	1	S96						8/15
EA1.24.263	. . . BOLT, special, 2BA, tab control attachment	1	S65						8/43
AGS2030/15	. . . CIRCLIP, internal	2	-						8/26
A27/CS	. . . NUT, 2BA slotted	1	-						8/27
SP90/CS	. . . PIN, split	1	-						8/22
EA1.24.924	. . . TAB, AILERON HINGE, ASSEMBLY (Pre Mod.5043)	1	-						8/4
EA3.00.6406	. . . TAB, AILERON HINGE, ASSEMBLY (Spares for EA1.24.924) (Mod.5043)	1	-						
EA3.00.6426	. . . TAB, AILERON, ASSEMBLY (Spares for EA1.24.924) (Mod.5111) (Pre Mod.5348)	1	-						
EA3.00.6782	. . . TAB, AILERON, ASSEMBLY (Spares for EA1.24.924) (Mod.5348)	1	-						
EA1.24.251	. . . LUG, half, centre hinge Attaching parts for EA1.24.251:	1	L40						8/41
A25/1C	. . . Bolt, 2BA hex. head	2	-						8/40
AS1242/1C	. . . Bolt, 2BA c'sk head	1	-						8/32
EA1.24.955	. . . Shim (If required, max. thick 0".022)	1	Lam. Alum.						8/42
EA1.24.252	. . . LUG, half, centre hinge Attaching parts for EA1.24.252:	1	L40						8/23
A25/1C	. . . Bolt, 2BA hex. head	2	-						8/35
AS1242/1C	. . . Bolt, 2BA c'sk head	1	-						8/20
EA1.24.956	. . . Shim (If required, max. thick 0".022)	1	Lam. Alum.						8/28
EA1.24.227	. . . SOCKET, hinge, inboard and outboard	2	L40						8/37
EA1.24.229	. . . SPINDLE, hinge, outboard	1	S11						8/38
-	. . . TUBE, TORQUE, AND TAB OPERATING GEAR, ASSEMBLY (EA3.24.174 or EA3.24.220) Spares for:	-	-						9/33
HOFFMANN T17	. . . BEARING, ballrace	1	-						9/24
HOFFMANN BAL.5/8"	. . . BEARING, ballrace	1	-						9/9
SKEFCO CBS3	. . . BEARING, ballrace	1	-						9/10
EA1.24.225	. . . BOLT, special, 1/4" BSF c'sk head, blow back to bracket attachment, rib 4	3	S11						9/28
EA1.24.263	. . . BOLT, special, 2BA, tab control attachment	1	S65						9/41
EA1.24.267	. . . BOLT, special, 2BA, tab control attachment	1	S65						9/35
EA1.24.195	. . . BRACKET, support, rib 4 Attaching parts for EA1.24.195:	1	L40						9/23
A25/5E	. . . Bolt, 1/4" BSF hex. head	2	-						9/18
SP13/E	. . . Washer, 1/4" BSF plain	2	-						9/19
EA1.45.987	. . . Washer, shim	2	-						9/22
R EA3.24.215	. . . BUSH, aileron control stop (Alt.R60/74) (Mod.5101)	1	-						9/3
AGS2030/22	. . . CIRCLIP, internal	1	-						9/11
AGS2030/26	. . . CIRCLIP, internal	1	-						9/8
AGS2031/22	. . . CIRCLIP, external	1	-						9/25
EA1.24.243	. . . LEVER, operating, tab torque tube Attaching parts for EA1.24.243:	1	L40						9/30
A25/10C	. . . Bolt, 2BA hex. head	1	-						9/27
A27/CS	. . . Nut, 2BA slotted	1	-						9/37
SP90/C7	. . . Pin, split	1	-						9/38
EA1.24.245	. . . Washer, saddle	2	L40						9/29

AILERON, STARBOARD

Part Number	Description	No. Off	Matl. Spec.	Plate No.
EA3.24.208	. . . ROD, TAB CONTROL OPERATING GEAR, ASSEMBLY	1	-	9/21
	Spares for:-			
EA1.24.331 BOLT, special, 2BA, blow back rod to torsion tube	4	S11	9/7
EA1.24.354 LEVER, CONTROL ARM, TAB OPERATING, ASSEMBLY	1	-	9/5
	Spares for:-			
EA1.24.359 BOLT, special spool attachment	4	S11	9/13
EA1.24.953 LEVER, C/W BALLRACE, ASSEMBLY	1	-	9/14
	Consisting of:-			
SKEFCO				
CBA2 BEARING, ballrace	1	-	9/6
EEAS.3/D HOUSING, ballrace	1	L65	9/1
EA1.24.355 LEVER, arm	1	L40	9/15
EEAS.4/20C WASHER, packing	2	L72	9/2
AGS2002/C1 NUT, stiff, 2BA	4	-	9/17
EA1.24.913 SPOOL	1	-	9/12
EA1.24.221 ROD, blow back	1	S96	9/26
EA3.24.205 TUBE, torsion, assembly	1	L65	9/16

R EA3.24.209	. . . ROD, push assembly tab (Mod.4930) (Pre-Alt.R60/14)	1	-	9/40
	Spares for:-			
EA1.24.899 NUT, special lock	1	S95	9/31
HOFFMANN				
CM2B ROD-END, ball bearing	1	-	9/39
EA1.24.919 SOCKET, tab rod, c/w bearing (Pre-Alt.R60/14)	1	-	9/36
EK5.24.601 ROD, push, assembly (Alt.R60/14) (Pre-Mod.5473)	1	-	9/40
EA3.24.229 ROD, push, assembly (Mod.5473)	1	-	
	Spares for:-			
HOFFMANN				
CM2/A BEARING, ball, rod end	1	-	9/39
EA1.24.899 NUT, special, lock	1	S95	9/31
EK5.24.603 SOCKET, assembly	1	-	9/36
EA1.24.391 TUBE, distance	2	-	9/32

MAIN PLANE
AILERON, STARBOARD

Part Number	Description 1 2 3 4 5 6	No. Off	Matl. Spec.	Plate No.

A.P.101B-0417-3A

MAIN PLANE

Page JB1

FLAPS, PORT

Part Number	Description	No. Off	Matl. Spec.	Plate No.
R EA9.25.1	FLAP, outer wing, port, assembly (Mod.1769) Spares for:--	1	—	10/7
EA1.25.63	. BOLT, control link attachment	2	S11	10/10
R EA9.25.25	. BLOCK, end (Mod.1769)	1	—	10/13
R EA9.25.27	. BLOCK, end (Mod.1769)	1	—	10/14
A27/JS	. NUT, 3/8" BSF slotted	2	—	10/3
SP90/C9	. PIN, split	2	—	10/11
EA1.25.67	. WASHER, bevel, control link attachment	4	L64	10/5
EEAS28/37EU	. WASHER, special, 3/8" dia.	2	—	10/4A
EEAS28/37FU	. WASHER	2	—	10/4B
EA1.25.265	Attaching parts for EA1.25.1:-- Bolt, special	2	S15	10/6
A27/JS	Nut, 3/8" BSF	2	—	10/3A
SP90/C8	Pin, split	2	—	10/11A
EA1.25.43	Washer, spherical (datum bracket)	2	S96	10/9
EEAS28/37/FU	Washer	2	—	10/12
EA1.25.265	Attaching parts for EA9.25.1:-- Bolt, special	2	—	10/6
A27/JS	Nut, 3/8" BSF	2	—	10/3A
SP90/C8	Pin, split	2	—	10/11A
EA1.25.43	Washer, spherical (datum bracket)	2	S96	10/9
SP122J	Washer, 3/8"	2	—	10/4

MAIN PLANE

FLAPS, PORT

Part Number	Description 1 2 3 4 5 6	No. Off	Matl. Spec.	Plate No.

FLAPS, STARBOARD

Part Number	Description	No. Off	Matl. Spec.	Plate No.
R EA9.25.2	FLAP, OUTER WING, STARBOARD ASSEMBLY (Mod.1769) Spares for:-	1	-	10/8
EA1.25.63	. BOLT, control link attachment	2	S11	10/10
R EA9.25.26	. BLOCK, end (Mod.1769)	1	-	10/15
R EA9.25.28	. BLOCK, end (Mod.1769)	1	-	10/16
A27JS	. NUT, 3/8" BSF slotted	2	-	10/3
SP90/C9	. PIN, split	2	-	10/11
EA1.25.67	. WASHER, bevel, control attachment	4	L40 or L64	10/5
EEAS28/37EU	. WASHER, special, 3/8" dia.	2	-	10/4A
EEAS28/37/FU	. WASHER	2	-	10/4B
	Attaching parts for EA1.25.2:-			
EA1.25.265	Bolt, special	2	S15	10/6
A27JS	Nut, 3/8" BSF	2	-	10/3A
SP90/C8	Pin, split	2	-	10/11A
EA1.25.43	Washer, spherical (datum bracket)	2	S96	10/9
EEAS28/37/FU	Washer	2	-	10/12
	Attaching parts for EA9.25.2:-			
EA1.25.265	Bolt, special	2	S15	10/6
A27JS	Nut, 3/8" BSF	2	-	10/3A
SP90/C8	Pin, split	2	-	10/11A
EA1.25.43	Washer, spherical (datum bracket)	2	S96	10/9
SP122J	Washer, 3/8"	2	-	10/4

MAIN PLANE
FLAPS, STARBOARD

Part Number	Description 1 2 3 4 5 6	No. Off	Mati. Spec.	Plate No.

FLAPS, PORT

Part Number	Description	No. Off	Matl. Spec.	Plate No.
R EA9.25.3	FLAP, INNER, WING, PORT, ASSEMBLY (Mod.1769) Spares for:-	1	-	10/1
EA1.25.63	. BOLT, control link attachment	2	S11	10/10
A27JS	. NUT, 3/8" BSF slotted	2	-	10/3
SP90/C9	. PIN, split	2	-	10/11
EA1.25.67	. WASHER, bevel, control link attachment	4	L40 or L64	10/5
EEAS28/37/EU	. WASHER, speciai, 3/8" dia.	2	-	10/4A
EEAS28/37/FU	. WASHER	2	-	10/4B
EA1.25.265	Attaching parts for EA1.25.3:- Bolt, special	2	S15	10/6
A27JS	Nut, 3/8" BSF	2	-	10/3A
SP90/C8	Pin, split	2	-	10/11A
EA1.25.43	Washer, spherical (datum bracket)	2	S96	10/9
EEAS28/37/FU	Washer	2	-	10/12
EA1.25.265	Attaching parts for EA9.25.3:- Bolt, special	2	S15	10/6
A27JS	Nut, 3/8" BSF	2	-	10/3A
SP90/C8	Pin, split	2	-	10/11A
EA1.25.43	Washer, spherical (datum bracket)	2	S96	10/9
SP122J	Washer, 3/8"	2	-	10/4

MAIN PLANE

FLAPS, PORT

Part Number	Description 1 2 3 4 5 6	No. Off	Matl. Spec.	Plate No.

FLAPS, STARBOARD

Part Number	Description	No. Off	Matl. Spec.	Plate No.
R EA9.25.4	FLAP, INNER, WING, STARBOARD, ASSEMBLY (Mod.1769) Spares for:-	1	-	10/2
EA1.25.63	. BOLT, control link attachment	2	S11	10/10
A27JS	. NUT, 3/8" BSF slotted	2	-	10/3
SP90/C9	. PIN, split	2	-	10/11
EA1.25.43	. WASHER, spherical, hinge attachment	2	S11	10/9
EA1.25.67	. WASHER, bevel, control link attachment	4	L40 or L64	10/5
EEAS28/37EU	. WASHER, special, 3/8" dia.	2	-	10/4A
EEAS28/37FU	. WASHER	2	-	10/4B
EA1.25.265	Attaching parts for EA1.25.4:- Bolt, special	2	S15	10/6
A27JS	Nut, 3/8" BSF	2	-	10/3A
SP90/C8	Pin, split	2	-	10/11A
EA1.25.43	Washer, spherical (datum bracket)	2	S96	10/9
EEAS28/37FU	Washer	2	-	10/12
EA1.25.265	Attaching parts for EA9.25.4:- Bolt, special	2	S15	10/6
A27JS	Nut, 3/8" BSF	2	-	10/3A
SP90/C8	Pin, split	2	-	10/11A
EA1.25.43	Washer, spherical (datum bracket)	2	S96	10/9
SP122J	Washer, 3/8"	2	-	10/4

MAIN PLANE
FLAPS, STARBOARD

Part Number	Description 1 2 3 4 5 6	No. Off	Matl. Spec.	Plate No.

MAIN PLANE

UNDERCARRIAGE DOOR C/W MECHANISM, PORT

Part Number	Description	No. Off	Mtl. Spec.	Plate No.
EA1.20.10733	DOOR, UNDERCARRIAGE, C/W MECHANISM, PORT, ASSEMBLY (Supplied to Drg.Pt.No.EA3.00.1053 for spares purposes)	1	-	11/105
R EA3.20.869	. DOOR, undercarriage, assembly, port Spares for:	1	-	
R EA3.20.1559	. . SEAL (Pre Mod.5282)	1	-	
R EA3.20.5313	. . SEAL (Mod.5282) (0.125" thick x 0.5" wide x 16" long)	1	DTD5514A Grade 'C'	
R EA3.20.1561	. . SEAL (Pre Mod.5282)	1	-	
R EA3.20.5315	. . SEAL (Mod.5282) (0.125" thick x 0.5" wide x 37.5" long)	1	DTD5514A Grade 'C'	
R EA3.20.1627	. . SEAL, 'P' (Pre Mod.5282) (Make from EEAS121) (26FZ/4432)	1	-	
R EA3.20.5317	. . SEAL, 'P' (Mod.5282) (Make from EEAS843) (26FZ/6147758)	1	-	
R EA1.20.1141	. HINGE, aft, undercarriage door (EA3.00.605) Attaching parts for EA1.20.1141:	1	L40	11/36
EA3.20.2405	. Bolt, special	5	S95 or S96	11/48
EA3.20.937	. Packing	1	L72	11/32
EA1.20.1379	. Shim	1	Lam. Alum.	11/41
SP15/C	. Washer, 2BA plain	QR	-	11/45
EA3.20.3095	. HINGE, forward, undercarriage door	1	L40	11/60
or R EB8.20.5351x4	. HINGE, forward, undercarriage door Attaching parts for EA3.20.3095 or EB8.20.5351:	1	L40	11/61
EA3.20.2405	. Bolt, special	8	S95 or S96	11/69
EA3.20.935	. Packing	2	L72	11/58
EA1.20.1377	. Shim	2	Lam. Alum.	11/59
SP15/C	. Washer, 2BA plain	QR	-	11/66
EA1.20.1175	. HOUSING, locking pin, aft Attaching parts for EA1.20.1175:	1	L40	11/87
A25/4C	. Bolt, 2BA hex. head	4	-	11/83
EA1.20.3141	. Shim	1	Alum. Alloy	11/74
EA1.20.1183	. HOUSING, locking, pin, forward Attaching parts for EA1.20.1183:	1	L40	11/108
A25/4C	. Bolt, 2BA hex. head	4	-	11/107
EA1.20.3143	. Shim	1	Alum. Alloy	11/103

MAIN PLANE

UNDERCARRIAGE DOOR C/W MECHANISM, PORT

Part Number	Description	No. Off	Mati. Spec.	Plate No.
EA9.20.2773	. LEVER, bellcrank, assembly Attaching parts for EA9.20.2773:-	1	S514	11/97
A27/ES	. Nut, 1/4" BSF slotted	1	-	11/101
EA1.20.2935	. Pin, special	1	DTD126	11/81
SP13/E	. Washer, 1/4" BSF plain	1	-	11/100
EA3.20.3901	. LEVER, door lock operating (Mod.4707) Attaching parts for EA3.20.3901:-	1	S1	11/68
AGS899/6	. Collar	1	-	11/70
SP4Y/F12	. Pin, shackle	1	-	11/71
EA1.20.2363	. LEVER, door lock operating Attaching parts for EA1.20.2363:-	1	L40	11/55
A59/10G	. Bolt, 5/16" BSF	1	-	11/82
or				
A59/12G	. Bolt, 5/16" BSF	1	-	11/82
AGS899/6	. Collar	1	-	11/53
SP4Y/F22	. Pin, shackle	1	-	11/65
EA3.20.1563	. Screw, locating (Mod.5035)	1	-	11/80
EA1.20.2369	. Washer, packing	1	-	11/62
SP47/G	. Washer, 5/16" spring	3	-	11/77
EA3.20.3049	. LINK, DOOR CHECK, ASSEMBLY Spares for:-	1	-	11/11
EA3.20.3077	. . BLOCK, packing	1	L40	11/13
EA3.20.3079	. . BOLT, special, eccentric	1	S97	11/14
EA3.20.3071	. . FINGER, tappet mounting	1	L40	11/5

R

MAINPLANE

UNDERCARRIAGE DOOR C/W MECHANISM, PORT

Part Number	Description 1 2 3 4 5 6	No. Off	Matl. Spec.	Plate No.

MAIN PLANE

UNDERCARRIAGE DOOR C/W MECHANISM, PORT

Part Number	Description	No. Off						Matl. Spec.	Plate No.
		1	2	3	4	5	6		
EA3.20.3047	. . LINK, check						1	L65	11/9
EA3.20.3043	. . LINK, check						1	L40	11/26
EA3.20.3073	. . PIECE, distance						1	L40	11/4
EA3.20.3075	. . TAPPET						1	S1	11/7
EA3.20.3061	. Attaching parts for EA3.20.3049:								
	. Bolt, special						1	S95	11/6
A27/GS	. Nut, 5/16" BSF slotted						1	-	11/1
SP13/G	. Washer, 5/16" BSF plain						1	-	11/2
SP13/J	. Washer, 3/8" BSF plain						1	-	11/3
SP15/J	. Washer, 3/8" BSF plain						1	-	11/8
EA3.20.3045	. LINK, door check, L.H.						1	L40	11/30
	. Attaching parts for EA3.20.3045:								
EA3.20.3063	. Bolt, special						2	S95	11/25
A27/GS	. Nut, 5/16" BSF slotted						2	-	11/15
SP13/G	. Washer, 5/16" BSF plain						2	-	11/21
SP13/J	. Washer, 3/8" BSF plain						2	-	11/22
SP15/J	. Washer, 3/8" BSF plain						2	-	11/24
EA3.20.3046	. LINK, door check, R.H.						1	L40	11/40
	. Attaching parts for EA3.20.3046:								
EA3.20.3063	. Bolt, special						2	-	11/23
A27/GS	. Nut, 5/16" BSF slotted						2	-	11/29
SP13/G	. Washer, 5/16" BSF plain						2	-	11/28
SP13/J	. Washer, 3/8" BSF plain						2	-	11/17
SP15/J	. Washer, 3/8" BSF plain						2	-	11/16
EB8.20.5353	. LINK, side						2	DTD124	11/35
	. Attaching parts for EB8.20.5353:								
EA3.20.3051	. Bolt, special						1	S95	11/46
A27/GS	. Nut, 5/16" BSF slotted						1	-	11/54
SP13/G	. Washer, 5/16" BSF plain						1	-	11/51
EA3.20.3081	. LINK, slave						1	DTD124	11/31
	. Attaching parts for EA3.20.3081:								
EA3.20.3093	. Bolt, special						1	S97	11/42
AGS2001/C/1	. Nut, stiff, 2BA						1	-	11/50
EA3.20.3087	. Piece, distance						1	-	11/43
EEAS28/15FR	. Washer						1	L72	11/47
SP13/C	. Washer, 2BA plain						1	-	11/49
EA9.20.2779	. PEDESTAL, BELLCRANK LEVER, ASSEMBLY						1	-	11/79
	. Spares for:								
EA1.20.1155	. . BEARING, bellcrank						1	L40	11/84
EA9.20.2775	. . BUSH, bearing						1	Oilite	11/86
	. Attaching parts for EA9.20.2779:								
A25/2C	. Bolt, 2BA hex. head						2	-	11/96
EA9.20.2777	. PIN, locking, undercarriage door						2	S95	11/90
	. Attaching parts for EA9.20.2777:								
AGS899/2	. Collar						1	-	11/93
EA1.20.1179	. Collar, locating						1	L64	11/94
SP4Y/B14	. Pin, shackie						1	-	11/76

UNDERCARRIAGE DOOR C/W MECHANISM, PORT

Ref. No.	Part No.	Description	No. off	Matl. Spec.	Cl. of Equip. M.R. L.M.	Fig. and Index	
							1
	13656	E.B8.20.4489	ROD, tie, aft plunger	1	-	C	11/95
			Attaching parts for E.B8.20.4489:-				
R	28N/1045680	AGS.899/2	Collar	1	-	C	11/85
	28P/7134168	SP4Y/B6	Pin, shackle	1	-	C	11/78
	2097	E.A1.20.10849	ROD, TIE, BELLCRANK TO OPERATING MECHANISM, ASSEMBLY	1	-	B	11/75
			Spares for:-				
	379	E.A1.50.75	BEARING, spherical	1	L40	C	11/72
		E.A1.20.10847	FORK END	1	-	-	11/89
	1773	E.A1.20.10843	HOUSING, bearing, rod end	1	S1	C	11/73
			Attaching parts for E.A1.20.10849:-				
R	28N/1045680	AGS.899/2	Collar	2	-	C	11/57
	28P/7134168	SP4Y/B6	Pin, shackle	1	-	C	11/92
	28P/1207870	SP4Y/B11	Pin, shackle	1	-	C	11/52
	7134	E.A1.20.1159	ROD, tie, forward plunger	1	DTD126	C	11/104
			Attaching parts for E.A1.20.1159:-				
R	28N/1045680	AGS.899/2	Collar	1	-	C	11/102
	28P/7134168	SP4Y/B6	Pin, shackle	1	-	C	11/99
	5171	E.A3.20.2271	SPRING, locking pin operating	2	-	C	11/91
			Attaching parts for E.A1.20.10733:-				
	362	E.A1.20.1353	Bolt, special	1	S11	C	11/20
	12199	E.A3.20.3085	Bolt, special	1	-	C	11/44
	28M/5808573	A27/CS	Nut, 2 BA slotted	1	-	C	11/18
	3569	EEAS.63/E	Nut, 1/4" BSF, slotted	1	S96	C	11/37
	20972	E.A3.20.3089	Piece, distance	1	-	C	11/33
	20973	E.A3.20.3091	Piece, distance	1	-	C	11/39
	28W/9419402	SP13/C	Washer, 2 BA plain	1	-	C	11/19
	28W/9418921	SP13/E	Washer, 1/4" BSF plain	1	-	C	11/38

MAIN PLANE

UNDERCARRIAGE DOOR C/W MECHANISM, PORT

Ref. No.	Part No.	1 2 3 4 5 6 7	Description	No. off	Matl. Spec.	Cl. of Equip. M.R. L.M.	Fig. and Index

MAIN PLANE

UNDERCARRIAGE DOOR C/W MECHANISM, STARBOARD

R

R

R

R

R

R

R

R

R

Part Number	Description	No. Off	Matl. Spec.	Plate No.
EA1.20.10734	DOOR, UNDERCARRIAGE, C/W MECHANISM, STARBOARD, ASSEMBLY (Supplied to Drg. Pt.No.EA3.00.1054 for spares purposes)	1	-	11/106
EA3.20.870	DOOR, undercarriage assembly, starboard	1	-	
EA3.20.1559	SEAL (Pre Mod.5282)	1	-	
EA3.20.5313	SEAL (Mod.5282) (0.125" thick x 0.5" wide x 16" long)	1	DTD5514A Grade 'C'	
EA3.20.1561	SEAL (Pre Mod.5282)	1	-	
EA3.20.5315	SEAL (Mod.5282) (0.125" thick x 0.5" wide x 37.5" long)	1	DTD5514A Grade 'C'	
EA3.20.1627	SEAL, 'P' (Make from EEAS121) (26FZ/4432) (Pre Mod.5282)	1	-	
EA3.20.5317	SEAL, 'P' (Make from EEAS843) (26FZ/6147758)	1	-	
EA1.20.1141	HINGE, aft, undercarriage door (EA3.00.605)	1	L40	11/36
	Attaching parts for EA1.20.1141:			
EA3.20.2405	Bolt, special	5	S95	11/48
EA3.20.937	Packing	1	L72	11/32
EA1.20.1379	Shim	1	Lam. Alum.	11/41
SP15/C	Washer, 2BA plain	QR	-	11/45
EA3.20.3096	HINGE, forward, undercarriage door	-	-	11/63
or				
EB8.20.5352x4	HINGE, forward, undercarriage door	-	-	11/64
	Attaching parts for EA3.20.3096 or EB8.20.5352:			
EA3.20.2405	Bolt, special	8	S95 or 96	11/69
EA3.20.935	Packing	2	L72	11/58
EA1.20.1377	Shim	2	Lam. Alum.	11/59
SP15/C	Washer, 2BA plain	QR	-	11/66
EA1.20.1176	HOUSING, locking pin, aft	1	L40	11/88
	Attaching parts for EA1.20.1176:			
A25/4C	Bolt, 2BA hex. head	4	-	11/83
EA1.20.3141	Shim	1	Alum. Alloy	11/74
EA1.20.1184	HOUSING, locking pin, forward	1	L40	11/109
	Attaching parts for EA1.20.1184:			
A25/4C	Bolt, 2BA hex. head	4	-	11/107
EA1.20.3143	Shim	1	Alum. Alloy	11/103

MAIN PLANE

UNDERCARRIAGE DOOR C/W MECHANISM, STARBOARD

Part Number	Description	No. Off	Matl. Spec.	Plate No.
EA9.20.2774	. LEVER, bellcrank, assembly Attaching parts for EA9.20.2774:—	1	S514	11/98
A27/ES	. Nut, 1/4" BSF slotted	1	—	11/101
EA1.20.2935	. Pin, special	1	DTD126	11/81
SP13/E	. Washer, 1/4" BSF plain	1	—	11/100
EA3.20.3901	. LEVER, door lock operating (Mod.4704) Attaching parts for EA3.20.3901:—	1	S1	11/68
AGS899/6	. Collar	1	—	11/70
SP4Y/F12	. Pin, shackle	1	—	11/71
EA1.20.2364	. LEVER, door lock operating Attaching parts for EA1.20.2364:—	1	L40	11/56
A59/10G or A59/12G	. Bolt, 5/16" BSF	1	—	11/82
AGS899/6	. Collar	1	—	11/53
SP4Y/F22	. Pin, shackle	1	—	11/65
EA3.20.1563	. Screw, locating (Mod.5035)	1	—	11/80
EA1.20.2369	. Washer, packing	3	Alum.	11/62
SP47/G	. Washer, 5/16" BSF spring	1	—	11/77
EA3.20.3050	. LINK, DOOR CHECK, ASSEMBLY Spares for:—	1	—	11/12
EA3.20.3077	. . BLOCK, packing	1	L40	11/13
EA3.20.3079	. . BOLT, special, eccentric	1	S97	11/14
EA3.20.3071	. . FINGER, tappet mounting	1	L40	11/5
EA3.20.3048	. . LINK, check	1	L65	11/10

R

MAIN PLANE

R

UNDERCARRIAGE DOOR C/W MECHANISM, STARBOARD

Part Number	Description 1 2 3 4 5 6	No. Off	Matl. Spec.	Plate No.

MAIN PLANE

UNDERCARRIAGE DOOR C/W MECHANISM, STARBOARD

Part Number	Description	No. Off	Mati. Spec.	Plate No.
EA3.20.3044	. LINK, check	1	L40	11/27
EA3.20.3073	. PIECE, distance	1	L40	11/4
EA3.20.3075	. TAPPET	1	S1	11/7
EA3.20.3061	Attaching parts for EA3.20.3050:			
A27/GS	. Bolt, special	1	S95	11/6
SP13/G	. Nut, 5/16" BSF slotted	1	-	11/1
SP13/J	. Washer, 5/16" BSF plain	1	-	11/2
SP15/J	. Washer, 3/8" BSF plain	1	-	11/3
	. Washer, 3/8" BSF plain	2	-	11/8
EA3.20.3045	. LINK, door check, L.H.	1	L40	11/30
EA3.20.3063	Attaching parts for EA3.20.3045:			
A27/GS	. Bolt, special	2	S95	11/25
SP13/G	. Nut, 5/16" BSF slotted	2	-	11/15
SP13/J	. Washer, 5/16" BSF plain	2	-	11/21
SP15/J	. Washer, 3/8" BSF plain	2	-	11/22
	. Washer, 3/8" BSF plain	2	-	11/24
EA3.20.3046	. LINK, door check, R.H.	1	L40	11/40
EA3.20.3063	Attaching parts for EA3.20.3046::			
A27/GS	. Bolt, special	2	S95	11/23
SP13/G	. Nut, 5/16" BSF slotted	2	-	11/29
SP13/J	. Washer, 5/16" BSF plain	2	-	11/28
SP15/J	. Washer, 3/8" BSF plain	2	-	11/17
	. Washer, 3/8" BSF plain	2	-	11/16
EB8.20.5353	. LINK, side	2	DTD124	11/35
EA3.20.3051	Attaching parts for EB8.20.5353:			
A27/GS	. Bolt, special	1	S95	11/46
SP13/G	. Nut, 5/16" BSF slotted	1	-	11/54
	. Washer, 5/16" BSF plain	1	-	11/51
EA3.20.3081	. LINK, slave	1	DTD124	11/31
EA3.20.3093	Attaching parts for EA3.20.3081:			
AGS2001/C/1	. Bolt, special	1	S97	11/42
EA3.20.3087	. Nut, stiff, 2BA	1	-	11/50
EEAS28/15FR	. Piece, distance	1	-	11/43
SP13/C	. Washer	1	L72	11/47
	. Washer, 2BA plain	1	-	11/49
EA9.20.2779	. PEDESTAL, BELLCRANK LEVER, ASSEMBLY	1	-	11/79
EA1.20.1155	Spares for:			
EA9.20.2775	. BEARING, bellcrank	1	L40	11/84
A25/2C	. BUSH, bearing	1	Oilite	11/86
EA9.20.2777	Attaching parts for EA9.20.2779:			
AGS899/2	. Bolt, 2BA hex. head	2	-	11/96
EA1.20.1179	. PIN, locking, undercarriage door	2	S96	11/90
SP4Y/B14	Attaching parts for EA9.20.2777:			
EB8.20.4489	. Collar	1	-	11/93
AGS899/2	. Collar, locating	1	L64	11/94
SP4Y/B6	. Pin, shackle	1	-	11/76
EB8.20.4489	. ROD, tie, aft, plunger	1	-	11/95
AGS899/2	Attaching parts for EB8.20.4489:			
SP4Y/B6	. Collar	1	-	11/85
	. Pin, shackle	1	-	11/78

UNDERCARRIAGE DOOR CW MECHANISM

Ref. No.	Part No.	Description	No. off	Matl. Spec.	Cl. of Equip. M.R. L.M.	Fig. and Index
2097	E.A1.20.10849	ROD, TIE, BELLCRANK TO OPERATING MECHANISM, ASSEMBLY Spares for:—	1	—	B	11/75
379	E.A1.50.75	BEARING, spherical	1	L40	C	11/72
	E.A1.20.10847	FORK-END	1	—	—	11/89
1773	E.A1.20.10843	HOUSING, bearing, rod end	1	S1	C	11/73
		Attaching parts for E.A1.20.10849:—				
28N/1045680	AGS.899/2	Collar	2	—	C	11/67
28P/7134168	SP4Y/B6	Pin, shackle	1	—	C	11/92
28P/1207870	SP4Y/B11	Pin, shackle	1	—	C	11/52
7134	E.A1.20.1159	ROD, tie, forward plunger Attaching parts for E.A1.20.1159:—	1	DTD126	C	11/104
28N/1045680	AGS.899/2	Collar	1	—	C	11/102
28P/7134168	SP4Y/B6	Pin, shackle	1	—	C	11/99
5171	E.A3.20.2271	SPRING, locking, pin operating Attaching parts for E.A1.20.10734:—	2	—	C	11/91
362	E.A1.20.1353	Bolt, special	1	S11	C	11/20
12199	E.A3.20.3085	Bolt, special	1	—	C	11/44
28M/5808573	A27/CS	Nut, 2 BA slotted	1	—	C	11/18
3569	EEAS.63/E	Nut, 1/4" BSF slotted	1	S96	C	11/37
20972	E.A3.20.3098	Piece, distance	1	—	C	11/33
20973	E.A3.20.3091	Piece, distance	1	—	C	11/39
28W/9419402	SP13/C	Washer, 2 BA plain	1	—	C	11/19
28W/9418921	SP13/E	Washer, 1/4" BSF plain	1	—	C	11/38

MAIN PLANE

UNDERCARRIAGE DOOR C/W MECHANISM

Ref. No.	Part No.	Description	No. off	Matl. Spec.	Cl. of Equip. M.R. L.M.	Fig. and Index

MAIN PLANE

MAIN PLANE, PORT

Part Number	Description 1 2 3 4 5 6	No. Off	Mati. Spec.	Plate No.
EG7.00.11	WING, PORT, ASSEMBLY (Pre Mod 5348)	1	—	1/29
EG7.00.10045	WING, PORT, ASSEMBLY (Spares condition port wing based on EG7.00.11 to LTF standard) (Mod 5348)	1	—	
—	ALTS TO GA OF WING, PORT (EG7.00.5011) (Mod 5466) Spares for:—	—	—	—
EA3.40.179	. ADAPTER, lubrication nipple, for side stay pivot bolt	1	S95	1/37
EA3.24.1	. AILERON, PORT, ASSEMBLY (Pre Mod 5043)	1	—	1/31
EA3.00.5391	. AILERON, PORT, ASSEMBLY (Spare) (EA3.24.1) (Mod 5043)	1	—	
EA3.00.5483	. AILERON, PORT, ASSEMBLY (Spare) (EA3.24.217) (Mod 5111)	1	—	
EB7.00.5209	. AILERON, PORT, ASSEMBLY (Spare) (EA3.24.227) (Mod 5111) (Ailerons supplied c/w centre hinge shim EA1.24.901, Ref.5001, as a loose item to EA3.00.281) (See page J1)	1	—	
—	. AIR CONNECTIONS TO ENGINE COMPRESSOR (EG7.50.21) (See page N1)	—	—	
—	. AIR TURBINE PIPES (EG7.75.9) (See page NB1)	—	—	
EA3.40.177	. BOLT, special, side stay pivot	1	S65 or S81	1/44
EA1.40.243	. BOLT, special, hinge, side stay pivot	1	S65 or S81	1/36
EA1.20.1107	. BOLT, special, main undercarriage	1	S65	1/52
EA3.20.2479	. BOLT, special, aileron hinge bracket	4	S95	1/47
—	. CONDUITS IN OUTER WING, INSTALLATION (EG7.20.169) Spares for:—	—	—	1/27
EF3.81.10889	. . CLIP, conduit Attaching parts for EF3.81.10889:—	15	L72	1/57
A25/1C	. . Bolt, 2 BA hex. head	1	—	1/46
AGS2001/C/1	. . Nut, stiff, 2 BA	1	—	1/58
SP13/C	. . Washer, 2 BA plain	1	—	1/54
EG7.20.165	. . CONDUIT, superflexit, assembly	1	—	1/40
EG7.20.167	. . CONDUIT, superflex, assembly	1	—	1/41
EA3.57.527	. . WASHER, between conduit and mounting bracket, rib 2 and rib 7A	2	L17	1/60
—	. CONDUITS IN INNER WING, INSTALLATION (EG7.20.387) Spares for:—	—	—	1/33
EG7.20.373	. . ANGLE, support, rib 6 Attaching parts for EG7.20.373:—	1	L72	1/25
A25/2C	. . Bolt, 2 BA hex. head	2	—	1/24
AGS2001/C/1	. . Nut, stiff, 2 BA	2	—	1/15
SP13/C	. . Washer, 2 BA plain	2	—	1/16
EG7.20.375	. . ANGLE, support, rib 3 and 4 Attaching parts for EG7.20.375:—	2	L72	1/17
A25/2C	. . Bolt, 2 BA hex. head	2	—	1/22
AGS2001/C/1	. . Nut, stiff, 2 BA	2	—	1/12
SP13/C	. . Washer, 2 BA plain	2	—	1/20
EG7.20.381	. . ANGLE, support, rib 5 Attaching parts for EG7.20.381:—	1	L72	1/3
A25/2C	. . Bolt, 2 BA hex. head	2	—	1/13
AGS2001/C/1	. . Nut, stiff, 2 BA	2	—	1/5
SP13/C	. . Washer, 2 BA plain	2	—	1/7

Page JH2		MAIN PLANE			MAIN PLANE, PORT					
Part Number	Description	No. Off	Mati. Spec.	Plate No.	1 2 3 4 5 6					
					EG7.20.379	. . . BRACKET, support, rib 2 Attaching parts for EG7.20.379:-	1	L72	1/2	
A25/2C	. . . Bolt, 2BA hex. head	4	-	1/10						
AGS2001/C/1	. . . Nut, stiff, 2BA	4	-	1/1						
SP13/C	. . . Washer, 2BA plain	4	-	1/9						
EF3.81.10889	. . . CLIP, 'P', conduit Attaching parts for EF3.81.10889:-	6	L72	1/6						
A25/2C	. . . Bolt, 2BA hex. head	1	-	1/8						
AGS2001/C/1	. . . Nut, stiff, 2BA	1	-	1/21						
SP16/C	. . . Washer, 2BA plain	1	-	1/18						
EG7.20.385	. . . Washer, pad	1	L72	1/11						
EG7.20.383	. . . CONDUIT, superflexit, assembly Spares for:-	2	-	1/23						
R SC-012-40 or	. . . CONDUIT, P.V.C.	QR	-	1/64						
R SC-001-0-0-40 R SCF-2933-40 or	. . . CONDUIT, P.T.F.E. (AS4771) . . . FITTING, end	2	-	1/65						
R 084-40-000-00 or	. . . FITTING, end (AS4771)									
R 0090-40-003-00- MK.2 R V2983/1	. . . FITTING, L.A. (AS4771) . . . NUT, lock	2	-	1/66						
EA3.57.527	. . . WASHER, between conduit and mounting bracket	1	L17	1/14						
-	. CONDUITS, ACROSS ENGINE NACELLE, ASSEMBLY (EG7.81.2871) Spares for:-	-	-	2/27						
EA3.81.2135	. . . CLIP, conduit securing, outer wing rib 2 Attaching parts for EA3.81.2135:-	2	L72	2/13						
A25/1C	. . . Bolt, 2BA hex. head	2	-	2/14						
AGS2001/C/1	. . . Nut, stiff, 2BA	2	-	2/15						
SP13/C	. . . Washer, 2BA plain	2	-	2/18						
EA3.81.2175	. . . CLIP, conduit, over engine nacelle Attaching parts for EA3.81.2175:-	2	L72	2/22						
A25/2B	. . . Bolt, 4BA hex. head	1	-	2/20						
AGS2001/B/1	. . . Nut, stiff, 4BA	1	-	2/26						
EA3.81.2133	. . . Washer, 'D'	1	-	2/24						
EG7.81.2875	. . . CLIP, conduit, inner wing rib 7 and outer wing, aft rib 1, assembly Attaching parts for EG7.81.2875:-	2	L72	2/35						
A25/1C	. . . Bolt, 2BA hex. head	2	-	2/30						
AGS2001/C/1	. . . Nut, stiff, 2BA	2	-	2/37						
SP13/C	. . . Washer, 2BA plain	2	-	2/36						
EG7.81.2877	. . . CLIP, conduit, assembly Attaching parts for EG7.81.2877:-	4	L72	2/38						
A25/3B	. . . Bolt, 4BA hex. head	2	-	2/31						
AGS2001/B/1	. . . Nut, stiff, 4BA	2	-	2/39						
EA3.81.2133	. . . Washer, 'D'	4	-	2/34						
EG7.81.2893	. . . CLIP, conduit, over engine nacelle, assembly Attaching parts for EG7.81.2893:-	2	L72	2/32						
A25/1B	. . . Bolt, 4BA hex. head	1	-	2/25						
A25/2B	. . . Bolt, 4 BA hex. head	1	-	2/28						
AGS2001/B/1	. . . Nut, stiff, 4BA	2	-	2/33						
EA3.81.2133	. . . Washer, 'D'	2	-	2/29						
EA3.81.2171	. . . CONDUIT, over engine nacelle	2	L54	2/19						
EA3.81.2173	. . . CONDUIT, outboard, rib 1 to rib 2, outer wing	2	L54	2/23						
EA3.81.1595	. . . SLEEVE, conduit, coupling	2	-	2/21						
EA1.45.13	. CONTROLS, AILERON (See page D1)	-	-							
EA1.50.395	. COWLING, ENGINE (See page LB1)	-	-							

MAIN PLANE

MAIN PLANE, PORT

Part Number	Description	No. Off	Mtl. Spec.	Plate No.	
					1
EA3.20.311 or EA3.20.4621	. DOOR, access, aileron control joint, bottom skin	1	L73	3/6	
EEAS1/1-1/2C	. Attaching parts for EA3.20.311:-- . Screw, 2 BA 120° c'sk head	20	S96	3/10	
EA3.20.347	. DOOR, access, air brake operating jack, bottom skin	1	L73	3/29	
EEAS1/2C	. Attaching parts for EA3.20.347:-- . Screw, 2 BA 120° c'sk head	22	S96	3/35	
EA3.20.353	. DOOR, access, rear wing attachment pin	1	DTD546	3/9	
EEAS1/2C	. Attaching parts for EA3.20.353:-- . Screw, 2 BA 120° c'sk head	24	S96	3/14	
EA3.20.377	. DOOR, access, front wing attachment pin, top skin	1	DTD546	3/1	
EEAS1/2-1/2E	. Attaching parts for EA3.20.377:-- . Screw, 1/4" BSF 120° c'sk head	30	S96	3/7	
-	. DOOR, PLUG BREAK ACCESS, WING TIP EXTENSION, TOP SKIN, ASSEMBLY (EG7.20.647) Spares for:--	-	-	3/5	
EG7.20.677	. DOOR, access	1	L73	3/3	
EEAS1/1C	. Attaching parts for EG7.20.677:-- . Screw, 2 BA 120° c'sk head	20	S96	3/4	
EE52/1	. EXTRUSION, approximately 9.5" long	QR	-		
EC1099	. Attaching parts for EE52/1:-- . Adhesive	QR	DTD900-4698		
EG7.20.1187	. PLATE, attachment	2	L73	3/32	
A25/2B AGS2002/B/1 SP4Y/A1 SP90/C4 SP13/B	. Attaching parts for EG7.20.1187:-- . Bolt, 4 BA hex. head . Nut, stiff, 4 BA . Pin, shackle . Pin, split . Washer, 4 BA plain	1 1 1 1 1	- - - - -	3/34 3/33 3/37 3/38 3/36	
EG7.20.683	. STIFFENER, aft	1	-		
-	. DOOR, WINDOW DISPENSER POD, ELECTRIC BREAK ACCESS, BOTTOM SKIN ASSEMBLY (EG7.20.649) (Used when dispenser pods are fitted to aircraft) Spares for:--	-	-	4/31	
EG7.20.1083	. DOOR, access, assembly	1	L73	4/35	
EG7.20.1087	. Spares for:--				
EG7.20.1091	. PLATE, seal clamping	1	L73	4/34	
EEAS1/1-1/2C	. SEAL, dispenser pod aperture, rubber, 1/16" thick Attaching parts for EG7.20.1083:-- . Screw, 2 BA 120° c'sk head	1 18	DTD5509 S96	4/33 4/37	
EG7.20.663	. DOOR, access, wing tip dispenser pod electric plug storage (Used when wing tip dispenser pod is not fitted to aircraft)	1	L73	4/26	
EA3.20.685	. DOOR, access, aileron control, bottom skin	1	L73	4/41	
EEAS1/2E	. Attaching parts for EA3.20.685:-- . Screw, 1/4" BSF 120° c'sk head	30	S96	4/43	
EA3.20.687	. DOOR, access, bottom skin	1	L73	4/39	
EEAS1/2-1/2E	. Attaching parts for EA3.20.687:-- . Screw, 1/4" BSF 120° c'sk head	30	S96	4/42	
EA1.20.1045	. DOOR, access, electrical equipment, bottom skin	1	L73	4/44	
EEAS1/2E EEAS1/5E	. Attaching parts for EA1.20.1045:-- . Screw, 1/4" BSF 120° c'sk head . Screw, 1/4" BSF 120° c'sk head	18 20	S96 S96	4/48 4/47	
EA1.20.1099	. DOOR, access, aileron control rod joint, bottom skin	2	DTD546	4/28	
EEAS1/1-1/2C	. Attaching parts for EA1.20.1099:-- . Screw, 2 BA 120° c'sk head	18	S96	4/30	

R

MAIN PLANE

MAIN PLANE, PORT

Part Number	Description	No. Off	Matl. Spec.	Plate No.						
				1	2	3	4	5	6	
EA1.20.1693	. DOOR, access, to forward fixing bolts of connecting ring to false spar and rib	2	L73							4/29
EA3.20.1819	. DOOR, access, rib 6B-7A, outer wing	1	L73							4/1
EEAS1/1-1/2C	. Attaching parts for EA3.20.1819:— . Screw, 2BA 120° c'sk head	32	S96							4/8
EA1.20.2289	. DOOR, access, aileron control, intermediate joint, bottom skin	1	—							4/38
EEAS1/2C	. Attaching parts for EA1.20.2289:— . Screw, 2BA 120° c'sk head	26	S96							4/46
—	. ELECTRICAL EQUIPMENT IN PORT WING (EG7.81.1609) (See page EC1)	—	—							
—	. ELECTRICAL EQUIPMENT OUTBOARD OF RIB 8 (EG7.81.93) (See page EH1)	—	—							
—	. EQUIPMENT, INNER WING, LEADING EDGE (EA3.00.67) (See page MN1)	—	—							
—	. FIRE PROTECTION SYSTEM (EG7.60.15) (See page NP1)	—	—							
EA9.25.1	. FLAP, OUTER, WING (See page JB1) (Mod.1769)	1	—							4/22
EA9.25.3	. FLAP, INNER, WING (See page JD1) (Mod.1769)	1	—							4/23
—	. FUEL SYSTEM (EA1.57.727) (See page NU1)	—	—							
—	. HYDRAULIC EQUIPMENT (EA3.73.539) (See page NAC1)	—	—							
EA1.50.69	. LINK, COWL DOOR, GROUP Spares for:—	1	—							4/3
EA1.50.75	. . BEARING, spherical	4	L40							4/12
EA1.50.77	. . FITTING, plug end	4	L40							4/4
EA1.50.71	. . HOUSING, bearing	4	S1							4/5
EA1.50.69A	. . LINK, tube, 1/2" o/d x 17 SWG	2	T45							4/2
EA1.20.701	. MECHANISM, FLAP OPERATING (See page DF1)	—	—							
SP21	. NIPPLE, lubrication	1	—							1/43
EA1.40.287	. NUT, castle, side stray link-bolt	2	S96							1/35
EA1.20.1287	. NUT, main undercarriage pivot-bolt	1	S96							1/48
EG7.20.911	. PANEL, ACCESS, BETWEEN RIB 1 AND 2 BOTTOM SKIN, ASSEMBLY Spares for:—	1	—							4/17
EEAS315/10	. . LANYARD, panel	1	Nylon							4/10
EG7.20.1075	. . NUT, strip, 1/4" BSF, assembly	1	—							4/6
EG7.20.917	. . NUT, strip, 1/4" BSF (Make from AGS2015/E/11/ 1" .0 pitch/2 Ref. 28M/15548)	1	—							4/11
EG7.20.919	. . NUT, strip, 1/4" BSF (Make from AGS2015/E/11/ 1" .0 pitch/4 Ref. 28M/15548)	2	—							4/9
EG7.20.920	. . NUT, strip, 1/4" BSF (Make from AGS2015/E/11/ 1" .0 pitch/4 Ref. 28M/15548)	2	—							4/7

R
R

MAIN PLANE, PORT

Part Number	Description	No. Off	Matl. Spec.	Plate No.
EG7.20.913	. . PANEL, access, assembly Attaching parts for EG7.20.913:—	1	L73	4/13
EEAS1/1-1/2E	. . Screw, 1/4" BSF c'sk head	26	S96	4/14
EA3.20.1813 or SP90/L24	. . PIN, split, undercarriage pivot bolt	1	—	1/45
SP4Y/H12	. . PIN, split	1	—	
SP4Y/H17	. . PIN, air brake jack hinge	1	—	7/41
—	. . PIN, air brake jack hinge	1	—	7/32
—	. . PIPE COOLING, AIR INJECTOR FOR 2 SPEED GENERATOR, ASSEMBLY (EG7.61.103) Spares for:—	—	—	4/18
EG7.61.105	. . PIPE, assembly, 1" o/d x 20 SWG	1	L65 or L54	4/20
—	. . PITOT AND STATIC SYSTEM (EG7.80.1757) (See page NAL1)	—	—	
EA9.20.1137	. . PLATE, locking, undercarriage pivot bolt	1	S514	1/50
EA1.24.901	. . SHIM, aileron centre hinge	2	Lam.Alum	4/15
—	. . SPAR, MAIN, ALTERATIONS TO ROOT END (EA3.20.4965, EA3.20.5125) Spares for EA3.20.4965:—	—	—	
EA3.20.4969	. . DOOR, access Attaching parts for EA3.20.4969:—	1	L73	7/62
EEAS1/2-1/2/C	. . Bolt, 2 BA	25	—	7/47
EA3.20.4967	. . DOUBLER, external, upper Attaching parts for EA3.20.4967:—	1	L73	7/64
EEAS1/3/C	. . Bolt, 2 BA	8	—	7/48
EEAS1/3-1/2/C	. . Bolt, 2 BA	2	—	7/49
EEAS1/4-1/2/C	. . Bolt, 2 BA	11	—	7/50
EEAS1/4/E	. . Bolt, 1/4" BSF	7	—	7/51
EA3.20.5161	. . Bolt, special	2	—	7/52
EA3.20.5147	. . Bolt, special	13	—	7/53
AGS2002/C/1	. . Nut, thin, 2 BA Spares for EA3.20.5125:—	11	—	7/54
EA3.20.5127	. . DOUBLER, external, lower Attaching parts for EA3.20.5127:—	1	L73	7/66
EEAS1/3/C	. . Bolt, 2 BA	19	—	7/56
EEAS1/5/C	. . Bolt, 2 BA	18	—	7/57
EEAS1/5-1/2/E	. . Bolt, 1/4" BSF	7	—	7/58
EA3.20.5149 or EA3.20.5148	. . Bolt, special	14	—	7/59
AGS2001/C/1	. . Nut, 2 BA	4	—	7/60
EA3.20.5157	. . Washer, special	2	—	7/61
EA3.20.5151	. . Washer, special	2	—	7/55
EA3.20.1129	. . STOP, block, for side stay pivot bolt Attaching parts for EA3.20.1129:—	1	L40	1/38
AS1242/3/C	. . Bolt, 2 BA c'sk head	2	—	1/42

MAIN PLANE

MAIN PLANE, PORT

Part Number	Description	No. Off	Mtl. Spec.	Plate No.
R -	. . . ALTS TO WING STRUCTURE, PORT (EG7.20.5001) (Mod 5466) Spares for:—	—	—	—
R -	. . . PANEL, ACCESS, ASSEMBLY (EG7.20.1517) (Mod 5466) Spares for:—	—	—	29/1
R EG7.20.1519	. . . DOUBLER, assembly Spares for:—	1	—	29/3
R EG7.20.1497	. . . DOUBLER, 1.6 mm	1	L164	29/5
R AGS2007/C/1	. . . NUT, anchor, 2 BA	6	—	29/7
R EEAS8/1A	. . . PLATE, packing	6	—	29/8
R EEAS640/10B	. . . NUT, strip, 2 BA, 10" x 1" pitch	2	—	29/9
R EEAS72/2	. . . PACKING, taper	28	—	29/10
R EG7.20.1521	. . . PANEL, access, 1.2 mm Attaching parts for EG7.20.1521:—	1	L164	29/11
R EEAS1/2C	. . . Bolt, 2 BA	28	—	29/13
R EG7.20.1563	. . . STRINGER	1	EEDX33	29/14
R EG7.20.1565	. . . STRINGER	1	EEDX33	29/16
R EG7.20.1567	. . . STRINGER	1	EEDX33	29/18
R EG7.20.1569	. . . STRINGER	1	EEDX33	29/20
R EG7.20.1571	. . . STRINGER	1	EEDX33	29/22
R EG7.20.1573	. . . STRINGER	1	EEDX33	29/24
R EG7.20.1575	. . . STRINGER	1	EEDX33	29/26
R EG7.20.1577	. . . STRINGER	1	EEDX33	29/28
R EG7.20.1579	. . . STRINGER	1	EEDX33	29/30
R EG7.20.1581	. . . STRINGER	1	EEDX33	29/32
R -	. . . REPAIR TO UPPER WING SKIN (EG7.20.1585) (Mod 5466) Spares for:—	—	—	30/1
R ASD1371-050RS	. . . BOLT, special	4	—	30/3
R EG7.20.1589	. . . BUTTSTRAP, 18 SWG	1	L165	30/4
R EG7.20.1591	. . . BUTTSTRAP, 18 SWG	1	L165	30/6
R EG7.20.1587	. . . INSERT, skin, 18 SWG	1	L165	30/8
R A27/CT	. . . NUT, 2 BA, thin	4	—	30/10
R EG7.20.1601	. . . PACKER, 18 SWG	1	L165	30/11
R EG7.20.1603	. . . PACKER, 18 SWG	1	L165	30/12
R AGS2042/506	. . . PIN, sealing	QR	—	30/13
R AGS2042/611	. . . PIN, sealing	QR	—	30/14
R EG7.20.1593	. . . PLATE, joint, 18 SWG	1	L165	30/15
R EG7.20.1595	. . . PLATE, joint, 18 SWG	1	L165	30/17
R EG7.20.1597	. . . PLATE, joint, 18 SWG	1	L165	30/19
R EG7.20.1599	. . . PLATE, joint, 18 SWG	1	L165	30/21
R EA3.20.999	. . . STRINGER	2	—	30/23
R EEAS72/1	. . . WEDGE, packing	QR	—	30/24

MAIN PLANE

MAIN PLANE, PORT

Part Number	Description	No. Off	Matl. Spec.	Plate No.
-	. STRUCTURE, WING, ASSEMBLY (EA3.20.1) (See page JK1)	-	-	
-	. STRUCTURE, TURBINE, PORT WING, ASSEMBLY (EG7.20.5) Spares for:-	-	-	6/27
EG7.20.371	. . . DOOR, ACCESS, FOR PIPE JOINT IN OUTER WING RIB 1 TO 2A, ASSEMBLY Spares for:-	1	-	6/34
EG7.20.639	. . . DOOR, access, assembly Attaching parts for EG7.20.639:-	1	L73	6/39
EEAS1/1C	. . . Screw, 2 BA, 120° c'sk head	22	S96	6/42
EEAS315/10	. . . LANYARD, door	1	Nylon	6/33
EG7.75.75	. . . FAIRING, REAR, ASSEMBLY Attaching parts for EG7.75.75:-	1	S521	6/52
EEAS299/20/45C	. . . Bolt, 2 BA c'sk head	19	BAC.M37	6/53
AS1248/1E	. . . Bolt, 1/4" BSF mushroom head	9	-	6/54
EG7.20.91	. . . HATCH, TURBINE, ACCESS, GROUP Spares for:-	1	L73	6/36
†	. . . ADHESIVE, "Evostick" No.528	QR	DTD900/ 4564	6/48
EG7.20.487	. . . BLOCK, packing, alternator inlet pipe and seal	1	LFS26 or Phenol Sheet	6/47
EG7.75.603	. . . FAIRING, FRONT, ASSEMBLY Spares for:-	1	L44	6/62
EEAS299/10/45C BOLT, 2 BA c'sk head locating	20	BAC.M37	6/65
AS4566/1C BOLT, 2 BA, mushroom head	7	-	6/66
AS4566/3C BOLT, 2 BA, mushroom head	14	-	6/67

MAIN PLANE
MAIN PLANE, PORT

Part Number	1 2 3 4 5 6	Description	No. Off	Matl. Spec.	Plate No.
A3-1/2-T21	FASTENER, dzus	6	-	6/59
A3-1/2-T22	FASTENER, dzus	2	-	6/60
GH-3-1/2	GROMMET, dzus	8	-	6/58
EG7.75.725	LANDING, reinforcing	1	L72	6/56
A27/CT	NUT, 2 BA thin	21	-	6/69
EG7.75.71	PANEL, access	1	L44	6/64
EG7.75.723	PANEL, access	1	L72	6/55
EG7.75.606	PIPE, sump cooling	1	L44	6/63
EG7.75.181	PIPE, air inlet, assembly	1	T55	6/43
R3-1/2	RECEPTACLE, dzus	8	-	6/61
EG7.75.731	REINFORCING	1	L44	6/57
SP15/C	WASHER, 2 BA plain	21	-	6/68
		Attaching parts for EG7.75.603:-			
AS1248/2C	Bolt, 2 BA, mushroom head	1	-	6/44
AS1248/3C	Bolt, 2 BA, mushroom head	9	-	6/49
AGS2002/C/1	Nut, stiff, 2 BA	10	-	6/45
SP13/C	Washer, 2 BA plain	10	-	6/46
EG7.75.683	PACKING, taper, anchor nut	1	L72	6/71
EG7.75.685	PACKING, taper, anchor nut	1	L72	6/51
EG7.75.687	PACKING, taper, anchor nut	1	L72	6/70
EG7.75.689	PACKING, taper, anchor nut	1	L72	6/50
		Attaching parts for EG7.20.91:-			
AS1242/4E	Bolt, 1/4" BSF c'sk head	1	-	6/41
AS1248/4E	Bolt, 1/4" BSF mushroom head	21	-	6/37
AS1248/5G	Bolt, 5/16" BSF mushroom head	38	-	6/38
-	HEAT SHIELD TO WING, AT REAR FAIRING, ASSEMBLY (EG7.20.749)	-	-	7/1
		Spares for:-			
R EA3.00.5306	HEAT-SHIELD, assembly (EG7.20.929)	1	-	7/2
		Attaching parts for EG7.20.929:-			
AS1248/1/2C	Bolt, 2 BA mushroom head	9	-	7/13
AS1248/3/B	Bolt, 4 BA mushroom head	4	-	7/10
AGS2001/B/1	Nut, stiff, 4 BA	4	-	7/6
SP15/B	Washer, 4 BA plain	4	-	7/8
-	PANEL, FREQUENCY CONTROL UNIT ACCESS, INSTALLATION (EG7.20.1073)	-	-	7/4
		Spares for:-			
EG7.20.821	PANEL, access, assembly	1	L73	7/7
		Attaching parts for EG7.20.821:-			
AS1242/1C	Bolt, 2 BA c'sk head	16	-	7/9
-	SKIN, TOP, ALTERATIONS, OUTER WING, RIB 2 TO 3A ASSEMBLY (EG7.20.83)	-	-	7/22
		Spares for:-			
EEAS315/10	LANYARD, panel	3	Nylon	7/37
EEAS8/1D	PACKING, anchor nut	23	L72	7/40

MAIN PLANE, PORT

Part Number	Description	No. Off	Matl. Spec.	Plate No.
EG7.20.921	. . . PANEL, turbine aft sling access, assembly Attaching parts for EG7.20.921:-	1	L73	7/38
EEAS.1/1C	. . . Screw, 2BA 120° c'sk head	16	S96	7/31
EG7.20.923	. . . PANEL, turbine forward sling access, assembly Attaching parts for EG7.20.923:-	1	L73	7/43
EEAS.1/1C	. . . Screw, 2BA 120° c'sk head	16	S96	7/42
EG7.20.907	. . . PANEL, DIPSTICK AND OIL FILLER ACCESS, ASSEMBLY Spares for:-	1	L73	7/23
FJ.3/40 FASTENER, dzus	2	-	7/25
-	. STRUCTURE, PROVISION FOR PITOT AND STATIC IN PORT WING, ASSEMBLY (EA3.20.5005) Spares for:-	-	-	7/33
EA3.20.5039	. . DOOR, access, top skin, assembly Attaching parts for EA3.20.5039:-	1	L72	7/34
EEAS.1/1C	. . Screw, 2BA 120° c'sk head	15	S96	7/45
EA3.20.5011	. . PANEL, inspection, bottom skin, assembly Attaching parts for EA3.20.5011:-	1	L72	7/36
EEAS.1/1C	. . Screw, 2BA 120° c'sk head	12	S96	7/46
-	. SUPPORT, COWL HOOP TO WING, ASSEMBLY (EA1.50.859) Spares for:-	-	-	7/27
EA1.50.913	. . SUPPORT, cowl hoop, upper (Supplied to Pt. No. EA3.00.235 for spares) Attaching parts for EA1.50.913:-	1	-	7/30
EA1.50.363	. . Bolt, special	4	S96	7/26
SP13/J	. . Washer, 3/8" BSF plain	4	-	7/21
EA1.50.949	. . SUPPORT, cowl hoop, lower Attaching parts for EA1.50.949:-	1	-	7/28
EA1.50.363	. . Bolt, special, 3/8" BSF	4	S96	7/26
SP13/J	. . Washer, 3/8" BSF plain	4	-	7/21
R EG7.00.311	. TIP, WING, PORT, ASSEMBLY (Mod. 5119) (See page JM1) Attaching parts for EG7.00.311:-	1	-	7/35
EEAS.1/2C	. Screw, 2BA 120° c'sk head	92	S96	7/29
-	. TURBO-ALTERNATOR, INSTALLATION (EG7.61.1) (See page NAN1)	-	-	-
-	. TURBO-ALTERNATOR CONTROL UNITS COOLING (EG7.75.607) (See page NAQ1)	-	-	-
-	. UNDERCARRIAGE, MAIN (EA1.40.1) (See page R1)	-	-	-
EA9.20.1143	. WASHER, special, main undercarriage pivot bolt	1	-	1/49

MAIN PLANE
MAIN PLANE, PORT

Part Number	Description 1 2 3 4 5 6	No. Off	Matl. Spec.	Plate No.

MAIN PLANE

MAIN PLANE, STARBOARD

Part Number	Description	No. Off	Mati. Spec.	Plate No.
EG7.00.12	WING, STARBOARD, ASSEMBLY (Pre Mod 5348)	1	-	1/30
EG7.00.10046	WING, STARBOARD, ASSEMBLY (Spares condition starboard wing based on EG7.00.12 to LTF standard) (Mod 5348)	1	-	
-	ALTS TO GA OF WING, STARBOARD (EG7.00.5012) (Mod 5466) Spares for:-	-	-	-
EA3.40.179	. ADAPTER, lubricator nipple for side stay pivot bolt	1	S95	1/37
EA3.24.2	. AILERON, STARBOARD, ASSEMBLY (Pre Mod 5043)	1	-	1/32
EA3.00.5392	. AILERON, STARBOARD, ASSEMBLY (Spare) (EA3.24.2) (Mod 5043)	1	-	1/32
EA3.00.5484	. AILERON, STARBOARD, ASSEMBLY (Spare) (EA3.24.218) (Mod.5111)	1	-	
EB7.00.5210	. AILERON, STARBOARD, ASSEMBLY (Spare) (EA3.24.228) (Mod 5119) (Ailerons supplied c/w centre hinge shim EA1.24.901 Ref.5001 as a loose item to EA3.00.282) (See page JA1)	1	-	
EA3.00.5392 or EA3.00.5424	. AILERON, STARBOARD, ASSEMBLY (Spare) (EA3.24.2) (Mod 5043) (Supplied c/w centre hinge shim EA1.24.901 Ref.5001 as a loose item to EA3.00.282) (See page JA1)	1	-	
-	. AIR CONNECTIONS TO ENGINE COMPRESSOR (EG7.50.23) (See page NA1)	-	-	
-	. AIR TURBINE PIPES (EG7.75.11) (See page NC1)	-	-	
EA3.40.177	. BOLT, special, side stay pivot	1	S65 or S81	1/44
EA1.40.243	. BOLT, special, hinge, side stay link	1	S65 or S81	1/36
EA1.20.1107	. BOLT, special, main undercarriage	1	S65	1/52
EA3.20.2479	. BOLT, special, aileron hinge bracket	4	S95	1/47
-	. CONDUIT, OUTER WING, INSTALLATION (EG7.20.170) Spares for:-	-	-	1/28
EF3.81.10889	. CLIP, 'P', conduit Attaching parts for EF3.81.10889:-	15	L72	1/57
A25/1C	. Bolt, 2 BA hex. head	1	-	1/46
AGS2001/C/1	. Nut, stiff, 2 BA	1	-	1/58
SP13/C	. Washer, 2 BA plain	1	-	1/54
EG7.20.165	. CONDUIT, superflexit, assembly	1	-	1/40
EG7.20.167	. CONDUIT, superflexit, assembly	1	-	1/41
EA3.57.527	. WASHER, between conduit and mounting bracket, rib 2 and rib 7A	4	L17	1/60
-	. CONDUIT, INNER WING, INSTALLATION (EG7.20.388) Spares for:-	-	-	1/34
EG7.20.374	. ANGLE, support, rib 6 Attaching parts for EG7.20.374:-	1	L72	1/26
A25/2C	. Bolt, 2 BA hex. head	2	-	1/24
AGS2001/C/1	. Nut, stiff, 2 BA	2	-	1/15
SP13/C	. Washer, 2 BA plain	2	-	1/16
EG7.20.376	. ANGLE, support, rib 3 and 4 Attaching parts for EG7.20.376:-	2	L72	1/19
A25/2C	. Bolt, 2 BA hex. head	2	-	1/22
AGS2001/C/1	. Nut, stiff, 2 BA	2	-	1/12
SP13/C	. Washer, 2 BA plain	2	-	1/20
EG7.20.382	. ANGLE, support, rib 5 Attaching parts for EG7.20.382:-	1	L72	1/4
A25/2C	. Bolt, 2 BA hex head	2	-	1/13
AGS2001/C/1	. Nut, stiff, 2 BA	2	-	1/5
SP13/C	. Washer, 2 BA plain	2	-	1/7

R

MAIN PLANE

MAIN PLANE, STARBOARD

Part Number	Description	No. Off	Matl. Spec.	Plate No.	
					1
EG7.20.379	. . . BRACKET, support, rib 2 Attaching parts for EG7.20.379: -	1	L72	1/2	
A25/2C	. . . Bolt, 2BA hex. head	4	-	1/10	
AGS2001/C/1	. . . Nut, stiff, 2BA	4	-	1/1	
SP13/C	. . . Washer, 2BA plain	4	-	1/9	
EF3.81.10889	. . . CLIP, 'P', conduit Attaching parts for EF3.81.10889:-	6	L72	1/6	
A25/2C	. . . Bolt, 2BA hex. head	1	-	1/8	
AGS2001/C/1	. . . Nut, stiff, 2BA	1	-	1/21	
SP16/C	. . . Washer, 2BA plain	1	-	1/18	
EG7.20.385	. . . Washer, pad	1	L72	1/11	
EG7.20.383	. . . CONDUIT, superftexit, assembly Spares for: -	2	-	1/23	
SC-012-40	. . . CONDUIT, P.V.C.	QR	-	1/64	
or					
SC-001-0-0-40	. . . CONDUIT, P.T.F.E. (AS4771)				
SCF-2933-40	. . . FITTING, end	2	-	1/65	
or					
084-40-000-00	. . . FITTING, end (AS4771)				
or					
0090-40-003-00-	. . . FITTING, L.A. (AS4771)				
MK.2					
V2983/1	. . . NUT, lock	2	-	1/66	
EA3.57.527	. . . WASHER, between conduit and mounting bracket	1	L17	1/14	
-	. . . CONDUIT, ACROSS ENGINE NACELLE, ASSEMBLY (EG7.81.2873) Spares for: -	-	-	2/16	
EA9.81.1069	. . . CLIP, conduit, inner wing, rib 7 and outer wing rib 1 Attaching parts for EA9.81.1069: -	2	L72	2/2	
A25/1C	. . . Bolt, 2BA hex. head	3	-	2/1	
AGS2001/C/1	. . . Nut, stiff, 2BA	3	-	2/9	
SP13/C	. . . Washer, 2BA plain	3	-	2/7	
EA9.81.1071	. . . CLIP, conduit, over engine nacelle Attaching parts for EA9.81.1071:-	2	L72	2/5	
A25/2B	. . . Bolt, 4BA hex. head	1	-	2/4	
A25/3B	. . . Bolt, 4BA hex. head	1	-	2/3	
AGS2001/B/1	. . . Nut, stiff, 4BA	2	-	2/11	
EA3.81.2133	. . . Washer, 'D'	1	-	2/6	
EA9.81.1075	. . . Washer, square	2	-	2/8	
EA3.81.2135	. . . CLIP, conduit, at rib 2, outer wing Attaching parts for EA3.81.2135:-	2	L72	2/13	
A25/1C	. . . Bolt, 2BA hex. head	2	-	2/14	
AGS2001/C/1	. . . Nut, stiff, 2BA	2	-	2/15	
SP13/C	. . . Washer, 2BA plain	2	-	2/18	
EA3.81.2175	. . . CLIP, conduit, over engine nacelle Attaching parts for EA3.81.2175:-	2	L72	2/22	
A25/2B	. . . Bolt, 4BA hex. head	1	-	2/20	
AGS2001/B/1	. . . Nut, stiff, 4BA	1	-	2/26	
EA3.81.2133	. . . Washer, 'D'	1	-	2/24	
EA3.81.2171	. . . CONDUIT, over engine nacelle	2	L54	2/17	
EA3.81.2173	. . . CONDUIT, outboard, rib 1 to rib 2, outer wing	2	L54	2/12	
EA3.81.1595	. . . SLEEVE, conduit connecting	2	-	2/10	
-	. . . CONDUIT, OUTER WING RIB 6B, LEADING EDGE, INSTALLATION (EA4.81.1860) Spares for: -	-	-		
EA4.81.1862	. . . BRACKET, main spar web, assembly Attaching parts for EA4.81.1862:-	1	-	1/63	
A25/4E	. . . Bolt, 1/4" BSF hex. head	2	-	1/62	
A27/EP	. . . Nut, 1/4" BSF plain	2	-	1/59	
SP16/E	. . . Washer, 1/4" BSF plain	2	-	1/61	

A.P.101B-0417-3A

MAIN PLANE

MAIN PLANE, STARBOARD

Part Number	Description	No. Off	Matl. Spec.	Plate No.
EA3.81.2139	. . CLIP, 'P', conduit Attaching parts for EA3.81.2139:	2	-	1/55
A25/1B	. . Bolt, 4BA hex. head	2	-	1/51
EA3.81.2149	. . CONDUIT, assembly	1	-	1/56
-	. CONTROLS, AILERON (EA1.45.14) (See page DA1)	-	-	-
-	. COVER, I.L.S. AERIAL ACCESS, OUTER WING LEADING EDGE, RIB 6B-7A, ASSEMBLY (EA4.20.197)	-	-	3/27
	Spares for:			
EA3.20.1671	. . COVER, access Attaching parts for EA3.20.1671:	1	L72	3/30
EEAS1/1½C	. . Screw, 2BA 120° c'sk head	10	S96	3/31
-	. COVER AND HOUSING, I.L.S. GLIDE PATH AERIAL, OUTER WING LEADING EDGE, RIB 6B-7A, ASSEMBLY (EA4.20.213)	-	-	3/17
	Spares for:			
EA9.20.1381	. . COVER, assembly, c/w bushes (Mod.2561) Attaching parts for EA3.20.1769 and EA9.20.1381:	1	L44	3/20
AS1242/3C	. . Bolt, 2BA c'sk head	20	-	3/28
EA3.20.1757	. . SEAL, 0".02 thick	1	Neoprene	3/21
-	. COVER AND FRAME, I.L.S. MARKER AERIAL, INNER WING LEADING EDGE, ASSEMBLY (EA4.20.215)	-	-	3/18
	Spares for:			
EA3.20.1791	. . COVER, assembly, c/w bushes Attaching parts for EA3.20.1791:	1	L44	3/22
AS1242/3C	. . Bolt, 2BA c'sk head	28	-	3/25
AGS2001/B/1	. . Nut, stiff, 4BA	4	-	3/24
AGS2001/C/1	. . Nut, stiff, 2BA	28	-	3/23
A45/B12	. . Screw, 4BA c'sk head	4	-	3/26
-	. COWLING ENGINE (EA1.50.396) (See page LC1)	-	-	-
-	. DOOR, ACCESS, BETWEEN RIB 6B AND 7A, INSTALLATION (EG7.20.599)	-	-	3/15
	Spares for:			
EG7.20.597	. . DOOR, access, assembly (stencilled) Attaching parts for EG7.20.597:	1	L73	3/13
EG7.20.595	. . Bolt, special, 2BA c'sk head	32	DTD204A	3/16
EG7.20.807	. . STRIP, for anchor nuts	1	L73	3/12
EG7.20.808	. . STRIP, for anchor nuts	1	L73	3/11
EA3.20.311	. DOOR, access, aileron control joint, bottom skin Attaching parts for EA3.20.311:	1	-	3/6
EEAS1/1½C	. . Screw, 2BA 120° c'sk head	26	S96	3/10
EA3.20.347	. DOOR, access, air brake operating jack, bottom skin Attaching parts for EA3.20.347:	1	-	3/29
EEAS1/2C	. . Screw, 2BA 120° c'sk head	26	S96	3/35
EA3.20.353	. DOOR, access, rear wing attachment pin Attaching parts for EA3.20.353:	1	DTD546	3/9
EEAS1/2C	. . Screw, 2BA 120° c'sk head	24	S96	3/14

MAIN PLANE

MAIN PLANE, STARBOARD

Part Number	Description	No. Off	Matl. Spec.	Plate No.
EA3.20.378	. DOOR, access, front wing attachment pin, top skin Attaching parts for EA3.20.378:—	1	DTD546	3/2
EEAS1/2 ¹ / ₂ E	. Screw, 1/4" BSF 120 ⁰ c'sk head	30	S96	3/7
—	. DOOR, PLUG BREAK ACCESS, WING TIP EXTENSION, TOP SKIN, ASSEMBLY (EG7.20.647) Spares for:—	—	—	3/8
EG7.20.677	. . DOOR, access Attaching parts for EG7.20.677:—	1	L73	3/3
EEAS1/1C	. . Screw, 2BA 120 ⁰ c'sk head	20	S96	3/4
R EE52/1	. . EXTRUSION, approximately 9.5" long Attaching parts for EE52/1:—	QR	—	
R EC1099	. . Adhesive	QR	DTD900-4698	
EG7.20.1187	. . PLATE, attachment Attaching parts for EG7.20.1187:—	2	L73	3/32
A25/2B	. . Bolt, 4BA hex. head	1	—	3/34
AGS2002/B/1	. . Nut, stiff, 4BA	1	—	3/33
SP4Y/A1	. . Pin, shackle	1	—	3/37
SP90/C4	. . Pin, split	1	—	3/38
SP13/B	. . Washer, 2BA plain	1	—	3/36
R EG7.20.683	. . STIFFENER, aft DOOR, WINDOW DISPENSER POD ELECTRIC BREAK ACCESS, BOTTOM SKIN, ASSEMBLY (EG7.20.650) (Used when dispenser pods are fitted to aircraft) Spares for:—	1 —	— —	4/32
EG7.20.1084	. . DOOR, ACCESS, ASSEMBLY Spares for:—	1	L73	4/36
EG7.20.1087	. . . PLATE, seal clamping	1	L73	4/34
EG7.20.1091	. . SEAL, dispenser pod aperture, 1/16" thick Attaching parts for EG7.20.1084:—	1	DTD5509	4/33
EEAS1/1 ¹ / ₂ C	. . Screw, 2BA 120 ⁰ c'sk head	18	S96	4/37
EG7.20.664	. DOOR, access, wing tip dispenser pod plug storage (Used when dispenser pod is not fitted to aircraft)	1	L73	4/27
EA3.20.685	. DOOR, access, aileron control, bottom skin Attaching parts for EA3.20.685:—	1	L73	4/41
EEAS1/2E	. Screw, 1/4" BSF 120 ⁰ c'sk head	30	S96	4/43
EA3.20.688	. DOOR, access, bottom skin Attaching parts for EA3.20.688:—	1	L73	4/40
EEAS1/2 ¹ / ₂ E	. Screw, 1/4" BSF 120 ⁰ c'sk head	30	S96	4/42
EA1.20.1046	. DOOR, access, electrical equipment, bottom skin Attaching parts for EA1.20.1046:—	1	L73	4/45
EEAS1/2E	. Screw, 1/4" BSF 120 ⁰ c'sk head	12	S96	4/48
EEAS1/5E	. Screw, 1/4" BSF 120 ⁰ c'sk head	20	S96	4/47
EA1.20.1099	. DOOR, access, aileron control rod joint, bottom skin Attaching parts for EA1.20.1099:—	2	DTD546	4/28
EEAS1/1 ¹ / ₂ C	. Screw, 2BA c'sk head	18	S96	4/30
EA1.20.1693	. DOOR, access, to forward fixing bolts of connecting ring to false spar and rib	2	L73	4/29
EA1.20.2289	. DOOR, access, aileron control intermediate joint, bottom skin Attaching parts for EA1.20.2289:—	1	L73	4/38
EEAS1/2C	. Screw, 2BA 120 ⁰ c'sk head	22	S96	4/46
—	. ELECTRICAL EQUIPMENT IN STARBOARD WING (EG7.81.1610) (See page ED1)	—	—	
—	. ELECTRICAL EQUIPMENT, OUTBOARD OF RIB 8 (EG7.81.94) (See page EJ 1)	—	—	

MAIN PLANE, STARBOARD

Part Number	Description	No. Off	Matl. Spec.	Plate No.
-	. EQUIPMENT, IN INNER WING LEADING EDGE (EA3.00.68) (See page NN1)	-	-	
-	. FIRE PROTECTION SYSTEM (EG7.60.16) (See page NQ1)	-	-	
EA9.25.2	. FLAP, OUTER WING (See page JC1) (Mod.1769)	1	-	4/24
EA9.25.4	. FLAP, OUTER WING (See page JE1) (Mod.1769)	1	-	4/25
-	. FUEL SYSTEM (EA1.75.728) (See page NV1)	-	-	
-	. HYDRAULIC EQUIPMENT (EA3.73.540) (See page NAD1)	-	-	
EA1.50.69	. LINK, COWL DOOR, GROUP Spares for:-	1	-	4/3
EA1.50.75	. . BEARING, spherical	4	L40	4/12
EA1.50.77	. . FITTING, plug end	4	L40	4/4
EA1.50.71	. . HOUSING, bearing	4	S1	4/5
EA1.50.69A	. . LINK, tube, 1/2" o/d x 17 SWG	2	T45	4/2
-	. MECHANISM, FLAP OPERATING (EA1.20.700) (See page DG1)	-	-	
SP21	. NIPPLE, lubrication	1	-	1/43
EA1.40.287	. NUT, castle, side stay link bolt	2	S96	1/35
EA1.20.1287	. NUT, main undercarriage pivot bolt	1	S96	1/48
EG7.20.912	. PANEL, ACCESS, BETWEEN RIB 1 AND 2, BOTTOM SKIN, ASSEMBLY Spares for:-	1	-	4/16
EEAS.315/10	. . LANYARD, panel	1	Nylon	4/10
EG7.20.1075	. . NUT, strip, 1/4" BSF, assembly	1	-	4/6
EG7.20.917	. . NUT, strip, 1/4" BSF (Make from AGS.2015/E/11/1."0 pitch/2 Ref. 28M/15548)	1	-	4/11
EG7.20.919	. . NUT, strip, 1/4" BSF (Make from AGS.2015/E/11/1."0 pitch/4 Ref. 28M/15548)	2	-	4/9
EG7.20.920	. . NUT, strip, 1/4" BSF (Make from AGS.2015/E/11/1."0 pitch/4 Ref. 28M/15548)	2	-	4/7
EG7.20.913	. . PANEL, ACCESS, ASSEMBLY Attaching parts for EG7.20.913:-	1	L73	4/13
EEAS.1/-1/2E	. . Screw, 1/4" BSF 120° c'sk head	26	S96	4/14
EA3.20.1813	. PIN, split, undercarriage pivot bolt	1	DTD268 or 204	1/45
or				
SP90/L24	. PIN, split	1	-	
SP4Y/H12	. PIN, air brake jack hinge	1	-	7/41
SP4Y/H17	. PIN, air brake jack hinge	1	-	7/32
-	. PIPE, COOLING AIR INJECTOR, FOR 2 SPEED GENERATOR, ASSEMBLY (EG7.61.107) Spares for:-	-	-	4/19
EG7.61.109	. . PIPE, assembly, 1" .0 o/d x 20 SWG	1	L65 or L54	4/21
EA9.20.1137	. PLATE, locking, undercarriage pivot bolt	1	S514	1/50
EA1.24.901	. SHIM, aileron centre hinge	2	Lam. Alum.	4/15

MAIN PLANE

MAIN PLANE, STARBOARD

Part Number	Description	No. Off	Mati. Spec.	Plate No.	
					1
-	. SKIN, LEADING EDGE, BAY No. 5, AND DETECTOR UNIT, INSTALLATION (EG7.20.1093) Spares for:-	-	-	5/8	
EEAS.36/10	. . CLIP, tubular Attaching parts for EEAS.36/10:-	1	L16	5/9	
A61/3B	. . Bolt, 4BA hex. head	1	-	5/10	
AGS.2001/B/3	. . Nut, stiff, 4BA	1	-	5/11	
EEAS.21A/3/ GR/H	. . Washer, "D"	2	L72	5/12	
EG7.20.1127	. . CLIP, tubular Attaching parts for EG7.20.1127:-	1	L72	5/27	
A61/4B	. . Bolt, 4BA hex. head	1	-	5/26	
AGS.2001/B/3	. . Nut, stiff, 4BA	1	-	5/20	
EEAS.21A/3/ GR/H	. . Washer, "D"	2	L72	5/21	
EA1.81.109	. . CLIP, conduit Attaching parts for EA1.81.109:-	2	-	5/2	
A61/1B	. . Bolt, 4BA hex. head	2	-	5/5	
AGS.2001/B/3	. . Nut, stiff, 4BA	2	-	5/1	
EA3.81.2137	. . CLIP, conduit Attaching parts for EA3.81.2137:-	2	-	5/3	
A61/1B	. . Bolt, 4BA hex. head	2	-	5/4	
EG7.20.1139	. . CONDUIT	1	L54	5/7	
15614-0	. . DETECTOR-UNIT, G84 Attaching parts for 6B/4343681:-	1	-	5/13	
A43/C16	. . Screw, 2BA cheese head	3	-	5/14	
SP25/C	. . Washer, 2BA plain	3	-	5/15	
-	. . DOOR, ACCESS, BETWEEN RIB 5B and 6A, INSTALLATION (EG7.20.599) Spares for:-	-	-	5/17	
EG7.20.597	. . . DOOR, access, assembly Attaching parts for EG7.20.597:-	1	L73	5/19	
EG7.20.595	. . . Bolt, special, 2BA c'sk head	32	DTD204A	5/22	
EG7.20.807	. . . STRIP, for anchor nuts	1	L73	5/6	
EG7.20.808	. . . STRIP, for anchor nuts	1	I73	5/16	
EG7.20.1095	. . EYE-BOLT, special	42	L65	5/24	
EG7.20.1151	. . FAIRLEAD	1	LFS26	5/25	
EG7.20.1131	. . PANEL, detector unit access Attaching parts for EG7.20.1131:-	1	L73	5/18	
EG7.20.1159	. . Bolt, special	30	DTD204A	5/23	

R

MAIN PLANE

MAIN PLANE, STARBOARD

Part Number	Description	No. Off	Mati. Spec.	Plate No.
-	. SPAR, MAIN, ALTERATIONS TO ROOT END (EA3.20.4966, EA3.20.5126) Spares for EA3.20.4966:-	-	-	
EA3.20.4970	. . DOOR, access Attaching parts for EA3.20.4970:-	1	L73	7/63
EEAS1/2-1/2/C	. . Bolt, 2 BA	25	-	7/47
EA3.20.4968	. . DOUBLER, external, upper Attaching parts for EA3.20.4968:-	1	L73	7/65
EEAS1/3/C	. . Bolt, 2 BA	8	-	7/48
EEAS1/3-1/2/C	. . Bolt, 2 BA	2	-	7/49
EEAS1/4-1/2/C	. . Bolt, 2 BA	11	-	7/50
EEAS1/4/E	. . Bolt, 1/4" BSF	7	-	7/51
EA3.20.5161	. . Bolt, special	2	-	7/52
EA3.20.5147	. . Bolt, special	13	-	7/53
AGS2002/C/1	. . Nut, thin, 2 BA Spares for EA3.20.5126:-	11	-	7/54
EA3.20.5128	. . DOUBLER, external, lower Attaching parts for EA3.20.5128:-	1	L73	7/67
EEAS1/3/C	. . Bolt, 2 BA	19	-	7/56
EEAS1/5/C	. . Bolt, 2 BA	18	-	7/57
EEAS1/5-1/2/E	. . Bolt, 1/4" BSF	7	-	7/58
EA3.20.5149	. . Bolt, special	14	-	7/59
or				
EA3.20.5148	. . Bolt, special			
AGS2001/C/1/66	. . Nut, 2 BA	4	-	7/60
EA3.20.5157	. . Washer, special	2	-	7/61
EA3.20.5151	. . Washer, special	2	-	7/55
EA3.20.1130	. STOP, block, for side-stay pivot bolt Attaching parts for EA3.20.1130:-	1	L40	1/39
AS1242/3C	. Bolt, 2 BA c'sk head	2	-	1/42

MAIN PLANE

MAIN PLANE, STARBOARD

Part Number	Description	No. Off	Mati. Spec.	Plate No.
R -	. ALTS TO WING STRUCTURE, STARBOARD (EG7.20.5002) (Mod 5466) Spares for:-	-	-	-
R -	. . . PANEL, ACCESS, ASSEMBLY (EG7.20.1518) (Mod 5466) Spares for:-	-	-	29/2
R EG7.20.1520	. . . DOUBLER assembly Spares for:-	1	-	29/4
R EG7.20.1498 DOUBLER, 1.6 mm	1	L164	29/6
R AGS2007/C/1 NUT, anchor, 2 BA	6	-	29/7
R EEAS8/1A PLATE, packing	6	-	29/8
R EEAS640/10B	. . . NUT, strip, 2 BA, 10 x 1" pitch	2	-	29/9
R EEAS72/2	. . . PACKING, taper	28	-	29/10
R EG7.20.1522	. . . PANEL, access, 1.2 mm Attaching parts for EG7.20.1522:-	1	L164	29/12
R EEAS1/2C	. . . Bolt, 2 BA	28	-	29/13
R EG7.20.1564	. . . STRINGER	1	EEDX33	29/15
R EG7.20.1566	. . . STRINGER	1	EEDX33	29/17
R EG7.20.1568	. . . STRINGER	1	EEDX33	29/19
R EG7.20.1570	. . . STRINGER	1	EEDX33	29/21
R EG7.20.1572	. . . STRINGER	1	EEDX33	29/23
R EG7.20.1574	. . . STRINGER	1	EEDX33	29/25
R EG7.20.1576	. . . STRINGER	1	EEDX33	29/27
R EG7.20.1578	. . . STRINGER	1	EEDX33	29/29
R EG7.20.1580	. . . STRINGER	1	EEDX33	29/31
R EG7.20.1582	. . . STRINGER	1	EEDX33	29/33
R -	. . . REPAIR TO UPPER WING SKIN (EG7.20.1586) (Mod 5466) Spares for:-	-	-	30/2
R ASD1371/050RS	. . . BOLT, special	4	-	30/3
R EG7.20.1590	. . . BUTTSTRAP 18 SWG	1	L165	30/5
R EG7.20.1592	. . . BUTTSTRAP 18 SWG	1	L165	30/7
R EG7.20.1588	. . . INSERT skin 18 SWG	1	L165	30/9
R A27/CT	. . . NUT, 2 BA, thin	4	-	30/10
R EG7.20.1601	. . . PACKER 18 SWG	1	L165	30/11
R EG7.20.1603	. . . PACKER 18 SWG	1	L165	30/12
R AGS2042/506	. . . PIN, sealing	QR	-	30/13
R AGS2042/611	. . . PIN, sealing	QR	-	30/14
R EG7.20.1594	. . . PLATE, joint 18 SWG	1	L165	30/16
R EG7.20.1596	. . . PLATE, joint 18 SWG	1	L165	30/18
R EG7.20.1598	. . . PLATE, joint 18 SWG	1	L165	30/20
R EG7.20.1600	. . . PLATE, joint 18 SWG	1	L165	30/22
R EA3.20.999	. . . STRINGER	2	-	30/23
R EEAS72/1	. . . WEDGE, packing	QR	-	30/24

A.P.101B-0417-3A

Page JJ7

MAIN PLANE

MAIN PLANE, STARBOARD

Part Number	Description	No. Off	Mtl. Spec.	Plate No.
-	. STRUCTURE, WING ASSEMBLY (EA3.20.2) (See page JL1)	-	-	-
-	. STRUCTURE, TURBINE, STARBOARD WING ASSEMBLY (EG7.20.7) Spares for:-	-	-	6/22
EG7.20.372	. . . DOOR, ACCESS, FOR PIPE JOINT IN OUTER WING RIB 1 TO 2A, ASSEMBLY Spares for:-	1	-	6/35
EG7.20.640	. . . DOOR, access, assembly Attaching parts for EG7.20.640:-	1	L73	6/40
EEAS1/1C	. . . Screw, 2 BA 120° c'sk head	22	S96	6/42
EEAS315/10	. . . LANYARD, door	1	Nylon	6/33
EG7.75.103	. . . FAIRING, rear, assembly Attaching parts for EG7.75.103:-	1	S521	6/14
EEAS299/20/45C	. . . Bolt, 2 BA c'sk head	19	BAC.M37	6/15
AS1248/1E	. . . Bolt, 1/4" BSF mushroom head	9	-	6/16
EG7.20.93	. . . HATCH, TURBINE ACCESS, GROUP Spares for:-	1	L73	6/25
†	. . . ADHESIVE, "Evostick" No.528	QR	DTD900 4564	6/3
EG7.20.741	. . . BLOCK, packing, alternator inlet pipe, and seal	1	LFS26 or Phenol Sheet	6/2
EG7.75.601	. . . FAIRING, FRONT, ASSEMBLY Spares for:-	1	L44	6/25
EEAS299/10/45C BOLT, 2 BA c'sk head, panel locating	20	BAC.M37	6/23
AS4566/1C BOLT, 2 BA mushroom head	7	-	6/28
AS4566/3C BOLT, 2 BA mushroom head	13	-	6/30
A3-1/2/T/21 FASTENER, dzus	6	-	6/7
A3-1/2/T/22 FASTENER, dzus	2	-	6/8
GH/3-1/2 GROMMET, dzus	8	-	6/6
A27/CT NUT, 2 BA thin	20	-	6/32
EG7.75.99 PANEL, access	1	L44	6/21
EG7.75.727 PANEL, access	1	L72	6/4
EG7.75.605 PIPE, sump cooling	1	L44	6/24
EG7.75.181 PIPE, air inlet, assembly	1	T55	6/11
R/3-1/2 RECEPTACLE, dzus	8	-	6/9
EG7.75.733 REINFORCING	1	L44	6/5
SP15/C Washer, 2 BA plain Attaching parts for EG7.75.601:-	20	-	6/31
AS1248/2/C	. . . Bolt, 2 BA mushroom head	1	-	6/29
AS1248/3/C	. . . Bolt, 2 BA mushroom head	9	-	6/18
AGS2002/C/1	. . . Nut, stiff, 2 BA	10	-	6/19
SP13/C	. . . Washer, 2 BA plain	10	-	6/20
EG7.75.684	. . . PACKING, taper, anchor nut	1	L72	6/13
EG7.75.686	. . . PACKING, taper, anchor nut	1	L72	6/10
EG7.75.688	. . . PACKING, taper, anchor nut	1	L72	6/17

MAIN PLANE
MAIN PLANE, STARBOARD

Part Number	Description	No. Off	Matl. Spec.	Plate No.					
				1	2	3	4	5	6
EG7.75.690	. . . PACKING, taper, anchor nut	1	L72						6/1
	. . . Attaching parts for EG7.20.93:—								
AS1242/5E	. . . Bolt, 1/4" BSF c'sk head	1	—						6/12
AS1248/5E	. . . Bolt, 1/4" BSF mushroom head	21	—						6/29
AS1248/5G	. . . Bolt, 5/16" BSF mushroom head	38	—						6/31
—	. . . HEAT SHIELD TO WING, AT REAR FAIRING, ASSEMBLY (EG7.20.750)	—	—						7/3
	Spares for:—								
EA3.00.5307	. . . HEAT SHIELD, assembly (EG7.20.930)	1	—						7/5
	Attaching parts for EG7.20.930:—								
AS1248/1/2C	. . . Bolt, 2 BA mushroom head	8	—						7/13
AS1248/3/B	. . . Bolt, 4 BA mushroom head	4	—						7/10
AGS2001/B/1	. . . Nut, stiff, 4 BA	4	—						7/6
SP15/B	. . . Washer, 4 BA plain	4	—						7/8
EG7.20.835	. . . PACKER, 10 SWG	1	L72						7/12
—	. . . PANEL, FREQUENCY CONTROL UNIT ACCESS, INSTALLATION (EG7.20.1073)	—	—						7/4
	Spares for:—								
EG7.20.821	. . . PANEL, access, assembly	1	L73						7/7
	Attaching parts for EG7.20.821:—								
AS1242/1C	. . . Bolt, 2 BA c'sk head	16	—						7/9
—	. . . SKIN, TOP, ALTERATIONS, OUTER WING RIBS 2 TO 3A, ASSEMBLY (EG7.20.85)	—	—						7/14
	Spares for:—								
EEAS315/10	. . . LANYARD, panel	3	Nylon						7/37
EEAS8/1D	. . . PACKING, anchor nut	23	L72						7/40
EG7.20.927	. . . PANEL, access, turbine forward sling, assembly	1	L73						7/39
	Attaching parts for EG7.20.927:—								
EEAS1/1C	. . . Screw, 2 BA 120° c'sk head	16	S96						7/31
EG7.20.925	. . . PANEL, access, turbine aft sling, assembly	1	L73						7/44
	Attaching parts for EG7.20.925:—								
EEAS1/1C	. . . Screw, 2 BA 120° c'sk head	16	S96						7/42
EG7.20.909	. . . PANEL, DIPSTICK AND OIL FILLER ACCESS, ASSEMBLY	1	L73						7/17
	Spares for:—								
FJ3/55	. . . FASTENER, dzus (Use 28FP/105, washers to suit)	2	—						7/18
S3/200	. . . SPRING, dzus fastener	2	—						7/24
—	. . . SUPPORT, COWL HOOP TO WING, ASSEMBLY (EA1.50.860)	—	—						7/19
	Spares for:—								
EA1.50.914	. . . SUPPORT, cowl hoop, top (supplied to Pt. No. EA3.00.236 for spares)	1	—						7/16
	Attaching parts for EA1.50.914:—								
EA1.50.363	. . . Bolt, special, 3/8" BSF	4	S96						7/26
SP13/J	. . . Washer, 3/8" BSF plain	4	—						7/21

A.P.101B-0417-3A

MAIN PLANE

Page JJ9

MAIN PLANE, STARBOARD

Part Number	Description	No. Off	Matl. Spec.	Plate No.
EA1.50.950	. . SUPPORT, cowl hoop, bottom Attaching parts for EA1.50.950:—	1	—	7/20
EA1.50.363	. . Bolt, special, 3/8" BSF	4	S96	7/26
SP13/J	. . Washer, 3/8" BSF plain	4	—	7/21
R EB7.00.5208	. TIP, WING, STARBOARD, ASSEMBLY (Mod.5119) (See page JN1) Attaching parts for EB7.00.5208:—	1	—	7/11
EEAS1/2C	. Screw, 2BA 120° c'sk head	92	S96	7/15
EG7.61.3	. TURBO-ALTERNATOR, INSTALLATION (EG7.61.3) (See page NAP1)	—	—	
EG7.75.609	. TURBO-ALTERNATOR CONTROL UNITS, COOLING (EG7.75.609) (See page NAQ1)	—	—	
EA1.40.2	. UNDERCARRIAGE, MAIN (EA1.40.2) (See page RA1)	—	—	
EA9.20.1143	. WASHER, special main undercarriage pivot bolt	1	—	1/49

MAIN PLANE
MAIN PLANE, STARBOARD

Part Number	Description 1 2 3 4 5 6	No. Off	Matl. Spec.	Plate No.

WING STRUCTURE, PORT

Part Number	Description	No. Off	Matl. Spec.	Plate No.
-	WING STRUCTURE, PORT, ASSEMBLY (EA3.20.1)	-	-	
	Spares for:-			
EA1.20.1329	. ANGLE, attachment, rear cowl to fire wall	1	-	12/35
EK5.20.675	. BALLJOINT (Alt.R60/5) (Mod.5101) (Pre-Mod.5348)	1	-	13/51
EA3.00.5715	. BRACKET, side stay attachment (Spares for EK5.20.675) (Mod.5348)	1	-	
	Consisting of:-			
EA1.20.1229	. . BEARING, BALL, SPHERICAL SEATED, ASSEMBLY	1	-	13/42
	Spares for:-			
EA1.20.1231	. . . BUSH, bearing	1	DTD197	13/41
EA1.20.1233	. . BOLT, special, retaining ring attachment	8	S11	13/44
EK5.20.639	. . BRACKET (Alt.R60/5) (Mod.5101)	1	-	13/39
EA3.00.241	. . BUSH, bearing (EA1.20.1215 and EA1.20.1217 wired together)	1	DTD412	13/45
EA1.20.1225	. . DOWEL, special, ball bearing locating	2	S11	13/36
EA1.20.1235	. . DOWEL, special, returning ring locating	1	S11	13/48
SP21	. . NIPPLE, lubrication	1	-	13/47
EA1.20.1219	. . RING, bottom, retaining	1	DTD124	13/35
EA1.20.1221	. . RING, top, retaining	1	DTD124	13/49
EA3.20.189	. BOLT, special, undercarriage attachment bracket	2	S97	14/2
EA1.20.601	. BOLT, special, aileron control hinge on rib 4 at outer wing	1	S11	14/36
EA1.20.947	. BOLT, special, undercarriage attachment bracket	1	S65	14/19
EA1.20.949	. BOLT, special, undercarriage attachment, bottom	2	S97	14/16
EA1.20.973	. BOLT, special, undercarriage bracket and aft rib 6 attachment to main spar	2	S65	14/1
EA1.20.1017	. BOLT, special, undercarriage attachment bracket	4	S97	14/27
EA3.20.1517	. BOLT, special shear, undercarriage bracket	6	S96	14/6
EA1.20.2297	. BOLT, special, undercarriage bracket and aft rib 6 attachment at main spar	2	S65	14/5
EA3.20.3407	. BOLT, special, engine cowl attachment to engine ring	22	S11 or S105	12/1
EA3.20.3209	. BOSS, AND LEVERS AILERON CONTROL ON RIB 4 OUTER WING, GROUP (Mod.4956)	1	-	14/47
	Spares for:-			
EA3.20.3211	. . ARM, curved lever	1	-	14/50
EA3.20.3215	. . ARM, straight lever	1	-	14/53
SKEFCO				
CBS3	. . BEARING, ballrace	2	-	14/49
AS1242/2C	. . BOLT, 2BA c'sk head	2	-	14/56
AS1242/4E	. . BOLT, 1/4" BSF c'sk head	12	-	14/57
EA1.20.599	. . BUSH	1	-	14/59
EA3.20.3219	. . GUARD, assembly	1	-	14/59
A27/ES	. . NUT, slotted 1/4" BSF	12	-	14/61
SP90/CB	. . PIN, split, 1" x 1/16"	12	-	14/62
EA3.20.3227	. . RING, radius, assembly	2	-	14/63

MAIN PLANE
WING STRUCTURE, PORT

Part Number	Description	No. Off	Matl. Spec.	Plate No.	
					1
EA1.20.531	. BRACKET, undercarriage jack attachment Attaching parts for EA1.20.531:	1	S65	13/23	
A25/5G	. Bolt, 5/16" BSF hex. head	6	-	13/12	
A25/8G	. Bolt, 5/16" BSF hex. head	3	-	13/9	
A25/9G	. Bolt, 5/16" BSF hex. head	4	-	13/20	
AGS2001/G/1	. Nut, stiff, 5/16" BSF	6	-	13/10	
AGS2002/G/1	. Nut, stiff, 5/16" BSF	7	-	13/21	
SP15/G	. Washer, 5/16" BSF plain	4	-	13/22	
SP16/G	. Washer, 5/16" BSF plain	9	-	13/11	
EA3.20.2497	. BRACKET, FOR SHOOT BOLT, REAR, ASSEMBLY Spares for:	1	-	13/13	
EA3.20.2275	. . PAD, rear	1	OTD126A or OTD124A	13/7	
	Attaching parts for EA3.20.2275:				
AGS2001/C/1	. . Nut, stiff, 2BA	3	-	13/19	
EEAS1/2C	. . Screw, 2BA 120° c'sk head	3	S96	13/1	
SP13/C	. . Washer, 2BA plain	3	-	13/16	
EA1.20.2983	. BRACKET, undercarriage attachment stub Attaching parts for EA1.20.2983:	1	-	13/2	
A25/8E	. Bolt, 1/4" BSF hex. head	4	-	13/15	
A25/10J	. Bolt, 3/8" BSF hex. head	2	-	13/4	
A27/EP	. Nut, 1/4" BSF plain	4	-	13/17	
A27/JP	. Nut, 3/8" BSF plain	2	-	13/5	
SP15/E	. Washer, 1/4" BSF plain	4	-	13/18	
SP16/J	. Washer, 3/8" BSF plain	2	-	13/6	
EA3.20.3027	. COWLING, REMOVABLE, JET PIPE END, GROUP Spares for:	1	-	12/5	
EA1.20.8261	. . CONE, jet pipe end	1	DTD571 or DTD171	12/11	
EA3.20.5079	. . CONE, jet pipe end Attaching parts for EA1.20.8261 or EA3.20.5079:	1	S521	12/12	
AS1248/1C	. . Bolt, 2BA mushroom head	18	-	12/7	
EA3.00.299	. EXTENSION, WING, ASSEMBLY (EA1.20.1865) Spares for:	1	-	14/30	
EA3.20.879	. . BOLT, strip	1	-	14/34	
EA1.20.2473	. . PLATE, blanking, explosive bolt hole Attaching parts for EA1.20.2473:	2	L40	14/54	
EA1.20.2471	. . Plate, locking	1	L72	14/52	
A33/C24	. . Screw, 2BA c'sk head	1	-	14/55	
-	. . SKIN, TOP, ASSEMBLY (EA1.20.1873) Spares for:	-	-	14/42	
EA3.20.1063	. . . PANEL, access, explosive bolt	1	-	14/41	
EA3.20.1065	. . . PANEL, access, explosive bolt	1	-	14/29	
-	. MOUNTING, engine and attachments (EA1.51.1) (See page LD1)	-	-		

MAIN PLANE
WING STRUCTURE, PORT

Ref. No.	Part No.	Description	No. off	Matl. Spec.	Cl. of Equip. M.R. L.M.	Fig. and Index
565	E.A1.20.1157	MOUNTING, jet pipe	2	—	C	12/3
28D/1212594	A25/33E	Attaching parts for E.A1.20.1157:—	2	—	C	12/2
28M/9480017	AGS.2001/E/1	Bolt, 1/4" BSF hex. head	2	—	C	12/8
28W/9419405	SP15/E	Nut, stiff 1/4" BSF	2	—	C	12/9
3027	E.A1.20.261	NACELLE, engine upper, aft	1	—	A	12/10
R	—	PANEL, ACCESS, INSTALLATION (E.C2.20.1335)	1	—	—	12/40
R	E.C2.20.1341	PANEL, access, outer	1	—	—	12/42
R	E.C2.20.1342	PANEL, access, inner	1	—	—	12/43
R	EEAS.1/2/C	Attaching parts for E.C2.20.1341 and E.C2.20.1342:— Bolt, c'sk, 2 BA	9	—	C	12/44
2983	E.A1.20.263	NACELLE, ENGINE, LOWER, AFT, GROUP	1	—	A	12/13
17811	E.A1.20.619	Spares for:— ARMS, CENTRE LEVER AILERON CONTROL, GROUP	1	—	B	12/18
568	E.A1.20.621	Spares for:— ARM, CENTRE LEVER, GROUP	2	—	B	12/25
569	E.A1.20.469	Consisting of:— ARM, lever	1	L40	C	12/23
2A/9500463	SKEFCO	BEARING, ballrace	1	—	C	12/16
75	EEAS.3/D	HOUSING, ballrace	1	L65	C	12/17
92	EEAS.4/20C	WASHER, packing	2	L72	C	12/15
6523	E.A3.45.449	Attaching parts for E.A1.20.621:— Bolt, special, 2 BA	3	S95	C	12/27
28M/5808573	A27/CS	Nut, 2 BA slotted	3	—	C	12/28
28P/9527169	SP90/C7	Pin, split	3	—	C	12/30
28W/9419402	SP13/C	Washer, 2 BA plain	3	—	C	12/29
20746	E.A1.20.345	MOUNTING, C/W BOSS, ASSEMBLY	1	—	B	12/38
2A/9500412	SKEFCO	Spares for:— BEARING, ballrace	2	—	C	12/31
570	E.A1.20.467	BOLT, special	1	L40	C	12/37
571	E.A1.20.579	BOSS, lever	1	L40	C	12/33
572	E.A1.20.463	TUBE, distance	1	L40	C	12/34
6494	E.A1.20.2259	DOOR, ASSEMBLY	1	—	B	12/20
28FP/1004552	ODDIE	Spares for:— STUD, fastener	1	—	C	12/21
28FP/1004893	PT/217	WASHER, fastener	1	—	C	12/22
	ODDIE					
	PT/214					

MAIN PLANE
WING STRUCTURE, PORT

Ref. No.	Part No.	Description	No. off	Matl. Spec.	Cl. of Equip. M.R. L.M.	Fig. and Index
5162	E.A3.20.1809	NUT, special, undercarriage bracket bottom bolt	2	BAC.M37	C	14/28
5163	E.A3.20.1811	NUT, special, undercarriage bracket bottom bolt	2	BAC.M37	C	14/35
1431	E.A3.20.313 or E.A3.20.4425	PANEL, closing, bottom skin, outer wing PANELS, CLOSING, INSTALLATION	1 —	— —	C —	14/39
		Spares for E.A3.20.4425:—				
6119327	E.A3.20.4555	PANEL, closing, bottom skin, outer wing	1	—	—	14/56
6119329	E.A3.20.4557	PANEL, closing, bottom skin, outer wing	1	—	—	14/58
6119331	E.A3.20.4559	PANEL, closing, bottom skin, outer wing	1	—	—	14/60
6119333	E.A3.20.4561 E.A3.20.4677	PANEL, closing, bottom skin, outer wing STRIP, landing	1 1	— L73	— —	14/62 14/76
		Attaching parts for E.A3.20.4425:—				
	EEAS.1/2/C	Bolt, c'sk, 2 BA	QR	—	C	14/64
	EEAS.1/3-1/2/C	Bolt, c'sk, 2 BA	QR	—	C	14/65
1433	E.A3.20.355 or E.A3.20.4311	PANEL, closing, bottom skin, inner wing (E.A3.00.5117) PANELS, CLOSING, INSTALLATION	1 —	— —	C —	14/17 14/66
		Spares for E.A3.20.4311:—				
6119322	E.A3.20.4485	PANEL, closing, bottom skin, inner wing	1	—	—	14/68
		Attaching parts for E.A3.20.4485:—				
	EEAS.1/2-1/2/C	Bolt, c'sk, 2 BA	QR	—	C	14/70
	EEAS.1/4/C	Bolt, c'sk, 2 BA	QR	—	C	14/71
	EEAS.1/4/E	Bolt, c'sk, 1/4" BSF	QR	—	C	14/72
6119324	E.A3.20.4487	PANEL, closing, bottom skin, inner wing	1	—	—	14/73
		Attaching parts for E.A3.20.4487:—				
	EEAS.1/2-1/2/C	Bolt, c'sk, 2 BA	19	—	C	14/75
	EEAS.1/4/E	Bolt, c'sk, 1/4" BSF	24	—	C	14/72
	E.A3.20.4679	PLATE, nut	1	L73	—	14/78
3055	E.A3.20.379	PANEL, closing, bottom skin, outer wing	1	—	C	14/37
577	E.A1.20.2233	PANEL, closing, bottom skin, outer wing	1	—	C	14/32
1874	E.A3.20.897	PIN, special, undercarriage attachment bracket	1	S92	C	13/26
581	E.A1.20.2967	PIN, special, stub attachment	1	S11	C	13/25

MAIN PLANE
WING STRUCTURE, PORT

Part Number	Description	No. Off	Matl. Spec.	Plate No.
-	. REINFORCING OF MAIN SPAR WEB SHEAR CONNECTIONS (EK5.20.721) Spares for:	-	-	14A/1
EK5.20.723	. . ANGLE, reinforcing Attaching parts for EK5.20.723:	1	-	14A/3
A59/6J	. . Bolt, 3/8" BSF	7	-	14A/5
SP16/J	. . Washer	7	-	14A/6
EK5.20.725	. . ANGLE, reinforcing Attaching parts for EK5.20.725:	1	-	14A/7
A60/6J	. . Bolt, 3/8" BSF	15	-	14A/9
A58/JT	. . Nut, thin, 3/8" BSF	15	-	14A/10
SP16/J	. . Washer	7	-	14A/11
EK5.20.727	. . STRIP, profile	1	-	14A/12
EK5.20.729	. . STRIP, profile	1	-	14A/13
EA1.20.203	. RING, rear cowl, false spar connecting	1	-	12/4
EEAS1/1-1/2/C	. SCREW, 2BA 120° c'sk head	87	S96	14/43
EEAS1/2C	. SCREW, 2BA 120° c'sk head	57	S96	14/44
EEAS1/3-1/2/C	. SCREW, 2BA 120° c'sk head	20	S96	14/45
EEAS1/2-1/2/E	. SCREW, 1/4" BAS 120° c'sk head	13	S96	14/46
EEAS1/5E	. SCREW, 1/4" BSF 120° c'sk head	8	-	
EA3.20.363	. SHROUD, inboard, aileron hinge	1	-	14/25
R EA3.20.365	. SHROUD, outboard, aileron centre hinge	1	-	14/26
R EA3.20.1183	. SHROUD, inboard, aileron hinge Attaching parts for EA3.20.1183:	1	-	14/22
R A25/1C	. Bolt, 2BA hex. head	2	-	14/24
R EA1.20.1327	. SKID, operating main undercarriage hinged flap	1	-	14/11

MAIN PLANE
WING STRUCTURE, PORT

Part Number	Description	No. Off	Matl. Spec.	Plate No.
EA3.20.5	. SPAR, MAIN, ASSEMBLY	1	-	14/20
-	. . ALTERATIONS TO MAIN SPAR AT SLINGING/ PICKETING POSITION (EK5.20.701)	Ref	-	
EK5.20.707	. . . ANGLE, reinforcing	1	L73	
EK5.20.709	. . . STRAP, reinforcing	1	L73	
EK5.20.711	. . . WASHER, radius	2	L73	
EK5.20.713	. . . INSERT	2	L73	
EK5.20.715	. . . SHIM	AR	-	
EK5.20.717	. . . BOLT, special	14	-	
EK5.20.719	. . . BOLT, special	8	-	
EA1.20.2665	. . BRACKET, AIR BRAKE JACK ATTACHMENT, ASSEMBLY Spares for:	1	-	14/4
EA1.20.2917	. . . BUSH Attaching parts for EA1.20.2665:	2	-	14/7
A25/4C	. . Bolt, 2BA hex. head	2	-	14/10
A25/4E	. . Bolt, 1/4" BSF hex. head	2	-	14/13
A27/CP	. . Nut, 2BA plain	2	-	14/8
A27/ET	. . Nut, 1/4" BSF thin	2	-	14/14
JC5A	. . COMPOUND, jointing (SEM048)	QR	-	
SEM048 FIG.1	. . PLATE, protection	1	L73 x 20 SWG	
R EK5.20.641	. STRUT, undercarriage tie (Alt.R60/4) (Mod.5101) (Pre Mod.5348)	1	-	13/33
EA3.00.5717	. STRUT, undercarriage tie (Spares for EK5.20.641) (Mod.5348) Attaching parts for EK5.20.641:	1	-	
A60/16/L	. Bolt, 7/16" BSF shear	2	-	13/43
A60/8P	. Bolt, shear	1	-	13/32
A25/7C	. Bolt, 2BA	16	-	13/51
A58/LS	. Nut, 7/16" BSF slotted	2	-	13/38
A58/PS	. Nut	1	-	13/29
A27/CP	. Nut, 2BA	16	-	13/52
SP90/C10	. Pin, split	3	-	13/30
SP125/L	. Washer, thick	2	-	13/37
SP125/P	. Washer, thick	1	-	13/28
SP125/C	. Washer, thick	16	-	13/53
A60/16L	. Bolt, 7/16" BSF shear	2	-	13/43
A60/8N	. Bolt, 1/2" BSF shear	1	-	13/32
A58/LS	. Nut, 7/16" BSF slotted	2	-	13/38
A58/NS	. Nut, 1/2" BSF slotted	1	-	13/29
SP90/C7	. Pin, split	3	-	13/30
SP15/L	. Washer, 7/16" BSF plain	2	-	13/37
SP16/N	. Washer, 1/2" BSF plain	1	-	13/28
EA1.20.183	. STUD, special, at cowl and firewall	2	S96	12/26
EA1.20.1669	. STUD, special, attachment angle at firewall	2	S96	12/32
EA1.20.2989	. STUD, special, undercarriage jack attachment bracket end	1	S96	13/27
EA1.20.145	. TUBE, distance, for special studs	23	-	12/24
EA3.20.1057	. WASHER, special, undercarriage bracket	9	L40	14/9
EA1.20.2295	. WASHER, special, undercarriage bracket top bolt	2	S96	14/12
EA1.20.2327	. WASHER, special, undercarriage bracket bottom bolt	2	S95	14/15
EA1.20.2991	. WASHER, special, undercarriage jack attachment bracket end	1	DTD126	13/31

MAIN PLANE
WING STRUCTURE, PORT

Ref. No.	Part No.	Description							No. off	Matl. Spec.	Cl. of Equip. M.R. L.M.	Fig. and Index
		1	2	3	4	5	6	7				
	—	WING, OUTER LEADING EDGE, ASSEMBLY							—	—	—	16/30
		(E.A3.20.3)										
		Spares for:—										
	—	SKIN, NOSE BAY, No. 5, ASSEMBLY (E.A3.20.7) ..							—	—	—	16/32
		Spares for:—										
3649*	E.A3.20.1105	EYE-BOLT							42	S96	C	16/11
3682	E.A1.20.5321	EYE-BOLT							42	S96	C	16/12
22474	E.A3.20.9	SKIN BAY, No. 6, ASSEMBLY							1	—	B	16/33
		(Supplied to Pt. No. E.A3.00.541 for Spares purposes)										
		Spares for:—										
3649*	E.A3.20.1105	EYE-BOLT							34	S96	C	16/11
3682	E.A1.20.5321	EYE-BOLT							34	S96	C	16/12
	—	WING, OUTER TRAILING EDGE, SCHEME TO							—	—	—	21/—
		REPLACE ANCHOR NUTS ON GUSSET PLATES AT RIBS 2 AND 3 (E.A3.20.5281)										
		Spares for:—										
R	28M/9435560	AGS.2007/E/1	NUT, anchor, 1/4" BSF					8	—	C	21/28	
R		E.A3.20.5283	PLATE, gusset, half, 10 SWG					1	L88	—	21/29	
R		E.A3.20.5285	PLATE, gusset, half, 10 SWG					1	L88	—	21/31	
R		E.A3.20.5293	PLATE, gusset, half, 10 SWG					1	L88	—	21/33	
R		E.A3.20.5295	PLATE, gusset, half, 10 SWG					1	L88	—	21/35	
R		E.A3.20.5291	STRAP, joint, 10 SWG					1	L73	—	21/37	
R		E.A3.20.5301	STRAP, joint, 10 SWG					1	L73	—	21/39	

MAIN PLANE
WING STRUCTURE, PORT

Ref. No.	Part No.	1 2 3 4 5 6 7	Description	No. off	Matl. Spec.	Cl. of Equip. M.R. L.M.	Fig. and Index

MAIN PLANE

WING STRUCTURE, PORT

Part Number	Description	No. Off	Mati. Spec.	Plate No.
-	WING, CENTRE AFT OF SPAR, ASSEMBLY (EA3.20.11) Spares for:-	-	-	15/1
-	MEMBER, TORQUE, REAR WALL, ASSEMBLY (EA1.20.319) Spares for:-	-	-	15/19
EA1.20.11075	BRACKET, LEVER, ASSEMBLY (Mod.5105) Spares for:-	1	-	15/13A
EA3.20.5173	BRACKET, lever (Mod.5105)	1	-	15/42A
EA3.20.5187	BUSH (Mod.5105)	2	S82	15/25A
EA1.20.735	LEVER, BELL CRANK, FLAP OPERATION, GROUP Consisting of:-	1	-	15/26
EA1.25.65	BOLT, special	1	S96	15/35
EA1.20.739	BUSH	1	DTD265	15/32
EA1.20.741	BUSH	1	DTD265	15/31
EA1.20.745	BUSH	1	DTD625	15/34
EA1.20.737	LEVER, bell crank	1	L40	15/30
SP21	NIPPLE, lubrication	1	-	15/28
A27/JS	NUT, 3/8" BSF slotted	1	-	15/41
A27/SS	NUT, slotted, 3/4" BSF	1	-	15/43
SP90/H11	PIN, split	1	-	15/44
SP90/C7	PIN, split	1	-	15/36
EA1.20.749	SPINDLE, lever	1	-	15/46
SP124/S	WASHER	1	-	15/45
EA1.20.743	WASHER, special	2	L64	15/39
EEAS5	WASHER, fibre	1	BSS216	15/29
EEAS28/37/EU	WASHER, special	1	S515	15/40
EA1.20.11085	BRACKET, LEVER, ASSEMBLY (Mod.5105) Spares for:-	1	-	15/12A
EA3.20.5173	BRACKET, lever (Mod.5105)	1	-	15/42A
EA3.20.5187	BUSH (Mod.5105)	2	S82	15/25A
EA1.20.3135	LEVER, BELL CRANK, C/W LUG, FLAP OPERATION GROUP Consisting of:-	1	-	15/22
EA1.25.65	BOLT, special	1	S96	15/10
EA1.20.739	BUSH	1	DTD625	15/6
EA1.20.741	BUSH	1	DTD625	15/2
EA1.20.745	BUSH	1	DTD625	15/8
EA1.20.3137	LEVER, bell crank	1	L40	15/5
SP21	NIPPLE, lubrication	1	-	15/3
A27/JS	NUT, 3/8" BSF slotted	1	-	15/18
A27/SS	NUT, slotted, 3/4" BSF	1	-	15/47
SP90/H11	PIN, split	1	-	15/48
SP90/C7	PIN, split	1	-	15/11
EA1.20.749	SPINDLE, lever	1	-	15/49
SP124/S	WASHER	1	-	15/50
EA1.20.743	WASHER, special	2	L64	15/16
EEAS5	WASHER, fibre	1	BSS216	15/4
EEAS28/37/EU	WASHER, special	2	S515	15/17
EA1.20.321	BUSH	1	-	15/15
EA3.20.1947	PANEL, access, electrically transparent, "Green statin" Attaching parts for EA3.20.1947:-	1	L44	15/7
EB6.20.123	Bolt, special	16	S96	15/37
EB6.20.125	Bolt, special	92	S96	15/38
EA3.20.2607	SHROUD, FLAP, ASSEMBLY (Pre Mod.5348)	1	-	15/23
EA3.00.5801	SHROUD, FLAP ASSEMBLY (Spares for EA3.20.2607) (Mod.5348) Spares for:-	1	-	
EA3.20.2513	PANEL, access Attaching parts for EA3.20.2513:-	1	L72	15/14
EEAS1/1C	Screw, 2BA 120° c'sk head	14	S96	15/33

MAIN PLANE

WING STRUCTURE, PORT

Part Number	Description	No. Off	Mtl. Spec.	Plate No.
EA3.20.2515	. . . PANEL, access Attaching parts for EA3.20.2515:—	1	L72	15/21
EEAS1/1C	. . . Screw, 2BA 120° c'sk head	14	S96	15/33
EA3.20.1977	. . . STOP, flap, assembly	8	—	15/27
—	. WING, INNER, LEADING EDGE, ASSEMBLY (EA3.20.13) Spares for:—	—	—	—
EA1.20.1349	. . BLOCK, stop, undercarriage Attaching parts for EA1.20.1349:—	1	L40	17/8
A25/29E	. . Bolt, 1/4" BSF hex. head	3	—	17/32
A27/ES	. . Nut, 1/4" BSF slotted	3	—	17/34
SP90/C7	. . Pin, split	3	—	17/28
SP16/E	. . Washer, 1/4" BSF plain	3	—	17/33
EA3.20.1153	. . BRACKET, undercarriage "up" lock Attaching parts for EA3.20.1153:—	1	L40	17/11
AS1242/7J	. . Bolt, 3/8" BSF c'sk head	1	—	17/24
or				
AS1242/8J	. . Bolt, 3/8" BSF c'sk head	1	—	17/25
A25/7J	. . Bolt, 3/8" BSF hex. head	3	—	17/5
or				
A25/8J	. . Bolt, 3/8" BSF hex. head	3	—	17/6
A27/JP	. . Nut, 3/8" BSF plain	3	—	17/20
AGS2001/J/1	. . Nut, stiff, 3/8" BSF	1	—	17/9
EA1.20.1351	. . Shim	1	Lam. Alum.	17/7
EA3.20.2969	. . Shim	1	L72	17/10
EA3.20.3419	. . BRACKET, tension spring (Mod.4449) Attaching parts for EA3.20.3419:—	1	L72	17/22
A25/3C	. . Bolt, 2BA hex. head	2	—	17/19
A27/CT	. . Nut, 2BA thin	2	—	17/27
SP15/C	. . Washer, 2BA plain	2	—	17/26
—	. . BRACKET, MAIN UNDERCARRIAGE AND RIB 7, ASSEMBLY (EA3.20.1207) Spares for:—	—	—	18/15
EA3.20.5063	. . . BRACKET, main forging Attaching parts for EA3.20.5063:—	1	DTD5094	18/31
A25/22L	. . . Bolt, 7/16" BSF hex. head	1	—	18/37
A25/23L	. . . Bolt, 7/16" BSF hex. head	1	—	18/34
A25/9N	. . . Bolt, 1/2" BSF hex. head	6	—	18/38
A27/LP	. . . Nut, 7/16" BSF plain	2	—	18/39
A27/NP	. . . Nut, 1/2" BSF plain	6	—	18/40
SP15/L	. . . Washer, 7/16" BSF plain	2	—	18/36
SP16/N	. . . Washer, 1/2" BSF plain	6	—	18/41
R EC2.20.1305	. . . CLEAT, inboard engine rib (Mod.5112)			18/19
EA1.20.1937	. . . EYE-BOLT	1	—	18/9
EA3.20.183	. . . PLATE, tie, support, upper (Supplied to Pt. No. EA3.00.665 for spares purposes) Attaching parts for EA3.20.183:—	1	L65	18/28
EA3.20.1151	. . . Bolt, special	2	S96	18/17
A25/4G	. . . Bolt, 5/16" BSF hex. head	12	—	18/33
A25/5G	. . . Bolt, 5/16" BSF hex. head	14	—	18/26
A27/GT	. . . Nut, 5/16" BSF thin	26	—	18/21
EA3.20.1123	. . . Strip, packing	1	—	18/22
SP16/G	. . . Washer, 5/16" BSF plain	14	—	18/25

MAIN PLANE

WING STRUCTURE, PORT

Part Number	1 2 3 4 5 6	Description	No. Off	Matl. Spec.	Plate No.
EA3.20.185	PLATE, tie, support, lower (Supplied to Part No. EA3.00.635 for spares purposes) Attaching parts for EA3.20.185:	1	L65	18/46
EA3.20.1121	Bolt, special	1	S96	18/43
A25/5G	Bolt, 5/16" hex. head	11	-	18/35
A25/8G	Bolt, 5/16" BSF hex. head	18	-	18/30
A57/9G	Bolt, 5/16" BSF shear	3	-	18/48
A27/GT	Nut, 5/16" BSF thin	32	-	18/45
EA3.20.2303	Tab, locking	1	-	18/49
SP16/G	Washer, 5/16" BSF plain	32	-	18/44
SP16/J	Washer, 3/8" BSF plain	1	-	18/42
EA3.20.171	RIB, INBOARD, ENGINE, ASSEMBLY Spares for:	1	-	18/13
EA1.20.11067	ANGLE, stub Attachments:	1	-	25/1
A59/2C	Bolt, 2BA hex. head	8	-	25/2
AGS2001/C/1	Nut, stiff, 2BA	9	-	25/3
EEAS1/2C	Screw, 2BA c'sk head	1	-	25/4
SP122/D	Washer	9	-	25/5
R EA1.20.11068	ANGLE, stub Attachments:	1	-	25/6
A59/2C	Bolt, 2BA hex. head	4	-	25/7
AGS2001/C/1	Nut, stiff, 2BA	8	-	25/8
A27/CT	Nut, thin, 2BA	1	-	25/8A
EEAS1/2C	Screw, 2BA c'sk head	5	-	25/9
SP122D	Washer	8	-	25/10
EA1.20.11071	ANGLE, stub Attachments:	1	-	25/11
A59/2C	Bolt, 2BA hex. head	8	-	25/12
AGS2001/C/1	Nut, stiff, 2BA	9	-	25/13
EEAS1/2C	Screw, 2BA c'sk head	1	-	25/14
SP122/D	Washer	9	-	25/15
EA1.20.11072	ANGLE, stub Attachments:	1	-	25/16
A59/2C	Bolt, 2BA hex. head	8	-	25/17
AGS2001/C/1	Nut, stiff, 2BA	9	-	25/18
EEAS1/2C	Screw, 2BA c'sk head	1	-	25/19
SP122/D	Washer	9	-	25/20
EA1.20.6933	BOOM, RIB, INBOARD, L/E, PORT, ASSEMBLY Spares for:	1	-	18/5
ASD512RS/1	FLANGE, boom, upper (For up to 7" fracture)	1	-	18/1
ASD625RS/1	FLANGE, boom, upper (For up to 14" fracture)	1	-	18/2
ASD628RS/1	FLANGE, boom, lower	1	-	18/11
EA3.20.4015	SHIM, laminated (Mod.4933)	1	-	18/20
EA3.20.4017	SHIM (Mod.4933)	1	L73	18/24
EA3.20.4019	SHIM (Mod.4933)	1	L73	18/8

MAIN PLANE
WING STRUCTURE, PORT

Part Number	1 2 3 4 5 6	Description	No. Off	Mati. Spec.	Plate No.
EA3.20.2495	. . .	BRACKET, UNDERCARRIAGE SHOOT BOLT FORWARD, ASSEMBLY Spares for:	1	—	17/45
EA3.20.2273	. . .	PAD Attaching parts for EA3.20.2273:	1	DTD126A	17/44
AS1242/1C	. . .	Bolt, 2BA c'sk head	2	—	17/43
AGS2001/C/1	. . .	Nut, stiff, 2BA	2	—	17/47
EA1.75.7	. . .	COOLER, cabin air	1	—	16/22
EA1.20.3149	. . .	CRADLE, undercarriage stop block	1	—	17/35
EA3.20.2573	. . .	HOOK, UNDERCARRIAGE "UP" LOCK, ASSEMBLY Consisting of:	1	—	17/40
EA1.20.1243	. . .	BUSH, bearing	2	DTD412	17/38
EA1.20.2571	. . .	HOOK Attaching parts for EA3.20.2573:	1	S65	17/42
EA1.20.1251	. . .	Bolt, special	1	S65	17/14
A27/JS	. . .	Nut, 3/8" BSF slotted	1	—	17/16
SP90/C7	. . .	Pin, split	1	—	17/18
EA1.20.1369	. . .	Screw, special locking (Use 28S/9435712)	1	—	17/15
EA1.20.2447	. . .	Shim	2	Lam. Alum.	17/37
SP13J	. . .	Washer, 3/8" BSF plain	1	—	17/21

MAIN PLANE
WING STRUCTURE, PORT

Part Number	Description	No. Off	Mater. Spec.	Plate No.
EB7.20.123 EA3.00.5121	. . . PANEL, REMOVABLE, INNER WING LEADING EDGE, TOP, ASSEMBLY Spares for:	1	-	16/28
EB7.20.277	. . . COVER, DIPSTICK ACCESS, 2-SPEED GENERATOR DRIVE, ASSEMBLY Consisting of:	1	-	16/16
† CHAIN, chandelier	QR	Brass	15/14
EB7.20.273 COVER, assembly	1	-	15/13
EB7.20.275 HOUSING, ASSEMBLY Spares for:	1	-	16/17
PIONEER PO.14311813 RING, 'O' seal	1	-	16/18
169-3-8 RING, split	2	-	16/15
EA1.20.8289 COVER, inspection	1	L72	16/24
F3.25/DS FASTENER, dzus	4	-	16/25
F3.30/DS FASTENER, dzus	10	-	16/26
F4.30 FASTENER, dzus	4	-	16/8
GF4.150 GROMMET, dzus	4	-	16/9
S3.200 SPRING, dzus	14	-	16/27
S4.250 SPRING, dzus	4	-	16/10
EB6.20.477	. . . PANEL, removable, inner wing leading edge, top	1	L72	16/19
EA1.20.1343	. . . PANEL, detachable, nose, inner wing leading edge (Supplied to Part No.EA3.00.237 for spares purposes)	1	L72	16/23
EA1.20.10871	. . . PIECE, packing	10	L72	17/4
EA1.20.10873	. . . PIECE, packing	4	L72	17/2
EA1.20.10875	. . . PIECE, packing	3	L72	17/1
EEAS1/1-1/2C	. . . SCREW, 2BA 120° c'sk head	200	S96	16/21
EEAS1/3C	. . . SCREW, 2BA 120° c'sk head	13	S96	17/3
EEAS1/4C	. . . SCREW, 2BA 120° c'sk head	12	S96	18/18
EEAS1/4E	. . . SCREW, 1/4" BSF 120° c'sk head	3	S96	18/7
EEAS1/5E	. . . SCREW, 1/4" BSF 129° c'sk head	4	S96	18/27
EA3.20.1067	. . . SHIM, undercarriage stop	1	Lam. Alum.	17/13
EA1.20.1355	. . . SHIM, undercarriage stop	1	L72	17/17
EA1.20.1313	. . . SKIN, OUTER, BOTTOM INNER WING, ASSEMBLY Spares for:	1	-	16/1
EA1.20.3191	. . . COVER, inspection, oil sump Attaching parts for EA1.20.3191:	1	-	16/4
EEAS1/1C	. . . Screw, 2BA 120° c'sk head	8	S96	16/5

R

MAIN PLANE
WING STRUCTURE, PORT

Part Number	Description	No. Off	Matl. Spec.	Plate No.
—	SKIN, BOTTOM, ASSEMBLY (EA1.20.3479) Spares for:	—	—	16/6
EA3.20.909	STOP, door	1	L40	16/3
EA3.20.3905	SPRING, tension, undercarriage hook (Mod.4449) Attaching parts for EA3.20.3905:	1	DTD215	17/41
A25/3C	Bolt, 2BA hex. head	1	—	17/31
A25/4C	Bolt, 2BA hex. head	1	—	17/39
AGS2001/C/1	Nut, stiff, 2BA	2	—	17/36
AS2806/4/014	Tube, distance (Mod.4449)	2	—	17/30
EEAS27/22/HR	Washer	2	L72	17/29
—	WING, OUTER, AFT OF SPAR C/W AIR BRAKE, ASSEMBLY (EA3.20.15) Spares for:	—	—	
—	ACCESS TO AILERON CENTRE HINGE (EA3.20.4927) Spares for EA3.20.4927:	Ref	—	19/39
EA3.20.5093	PANEL, access Attaching parts for EA3.20.5093:	2	L73	19/41
EEAS1/1/C	Bolt, 2BA c'sk head	24	—	19/42
EA3.20.2075	BRACKET, aileron hinge, outboard (Pre Alt.R60/23)	1	—	19/29
EA3.20.4227	BRACKET, aileron hinge, outboard (Alt.R60/23) Attaching parts for EA3.20.2075:	1	L92	
AS1248/4/C	Bolt, 2BA mushroom head	4	—	19/35
A27/CP	Nut, 2BA plain	4	—	19/33
SP13/C	Washer, 2BA plain	4	—	19/34
EA1.20.2207	COVER, drag channel end	9	—	20/5
EA1.20.2209	COVER, drag channel end	12	—	20/28
EA1.20.2351	DOOR, access, air brake Attaching parts for EA1.20.2351:	1	L73	21/14
EEAS1/2C	Screw, 2BA 120° c'sk head	30	S96	21/16
EEAS1/2½C	Screw, 2BA 120° c'sk head	11	S96	21/17
—	FRAME, AIR BRAKE, RIB 2-2B, ASSEMBLY (EA3.20.253) Spares for:	—	—	20/15
EA1.20.2057	CROSS-HEAD, drag channel Attaching parts for EA1.20.2057:	1	L40	20/32
AGS2002/E/3	Nut, stiff, 1/4" BSF	2	—	20/29
SP15/E	Washer, 1/4" BSF plain	2	—	20/30
EA3.20.255	PLATE, SIDE, ASSEMBLY Spares for:	2	—	20/12
EA1.20.2065	HOUSING, bearing assembly	1	—	20/27
EA1.20.2055	TUBE, bracing	1	—	20/14
—	FRAME, AIR BRAKE, RIB 3-3B, ASSEMBLY (EA3.20.263) Spares for:	—	—	20/7
EA1.20.2057	CROSS-HEAD, drag channel Attaching parts for EA1.20.2057:	2	L40	20/32
AGS2002/E/3	Nut, stiff, 1/4" BSF	2	—	20/29
SP15/E	Washer, 1/4" BSF plain	2	—	20/30
EA1.20.2047	PLATE, SIDE, ASSEMBLY Spares for:	1	—	20/24
EA1.20.2065	HOUSING, bearing, assembly	1	—	20/27

MAIN PLANE
WING STRUCTURE, PORT

Part Number	1 2 3 4 5 6	Description	No. Off	Mtl. Spec.	Plate No.
EA3.20.261		PLATE, SIDE, ASSEMBLY Spares for:	1	-	20/25
EA1.20.2075		BUSH, jack lever, attachment	1	-	20/20
EA1.20.2065		HOUSING, bearing, assembly	1	-	20/27
EA1.20.2077		TUBE, bracing	2	-	20/16
EA1.20.2069		FRAME, AIR BRAKE, RIB 2-3A, ASSEMBLY Spares for:	2	-	20/4
EA1.20.2057		CROSS-HEAD, drag channel Attaching parts for EA1.20.2057:	2	L40	20/32
AGS2002/E/3		Nut, stiff, 1/4" BSF	2	-	20/29
SP15/E		Washer, 1/4" BSF plain	2	-	20/30
EA1.20.2045		PLATE, SIDE, ASSEMBLY Spares for:	2	-	20/9
EA1.20.2065		HOUSING, bearing, assembly	2	-	20/27
EA1.20.2055		TUBE, bracing	2	-	20/10
EA1.20.2071		FRAME, AIR BRAKE, OUTBOARD RIB 3B-4, ASSEMBLY Spares for:	2	-	20/6
EA1.20.2057		CROSS-HEAD, drag channel Attaching parts for EA1.20.2057:	2	L40	20/32
AGS2002/E/3		Nut, stiff, 1/4" BSF	2	-	20/29
SP15/E		Washer, 1/4" BSF plain	2	-	20/30
EA1.20.2047		PLATE, SIDE, ASSEMBLY Spares for:	2	-	20/17
EA1.20.2065		HOUSING, bearing, assembly	2	-	20/27
EA1.20.2077		TUBE, bracing	2	-	20/18
EA3.20.367		HINGE, AILERON CENTRE, ASSEMBLY Spares for:	1	-	19/14
EA1.20.325		BRACKET, aileron centre hinge Attaching parts for EA1.20.325:	1	L40	19/11
EA1.20.511		Bolt, special	1	S96	19/10
EA1.20.1433		Nut, special	1	-	19/12
SP90/G10		Pin, split	1	L40	19/13
EA3.20.375		Washer, special	2	L40	19/7
EA1.20.693		BRACKET, aileron shroud angle attachment Attaching parts for EA1.20.693:	2	L65	19/2
A25/4C		Bolt, 2BA hex. head	2	-	19/1
A27/CS		Nut, 2BA slotted	2	-	19/3
SP90/C7		Pin, split	2	-	19/4
EA1.20.1097		Shim	2	-	19/9
EA3.20.371		FITTING, CENTRE HINGE, ASSEMBLY Spares for:	1	-	19/5
RANSOME & MARLES CK5/8"		BEARING, ballrace	1	-	19/6

MAIN PLANE
WING STRUCTURE, PORT

Part Number	Description	No. Off	Mati. Spec.	Plate No.
AGS2030/57 CIRCLIP, internal Attaching parts for EA3.20.367:—	1	—	19/8
A59/15J Bolt (Alt.R60/95 RI)	4	—	19/36
A27/JS Nut, slotted, 3/8" BSF	4	—	18/37
SP90/C7 Pin, split	4	—	19/38
EA1.20.2091 HOUSING, ballrace, air brake cross tube, assembly Attaching parts for EA1.20.2091:—	2	—	20/22
A61/2C Bolt, 2BA hex. head	6	—	20/23
EA1.20.603 LEVER, AILERON, CONTROL, ASSEMBLY Spares for:—	1	—	22/23
EA1.20.641 ARM, LEVER, C/W BOSS, ASSEMBLY Spares for:—	1	—	22/22
EA1.20.639 ARM, lever, c/w bearings Attaching parts for EA1.20.639:—	1	—	22/21
A25/5C Bolt, 2BA hex. head	3	—	22/30
A27/CP Nut, 2BA plain	3	—	22/23
SP16/C Washer, 2BA plain	3	—	22/32
SKEFCO				
CBS3 BEARING, ballrace	2	—	22/25
EA1.20.607 BOSS	1	—	22/26
EA1.20.615 BUSH, distance	1	—	22/27
EA1.20.609 BOLT, special pivot, 3/8" BSF	1	L40	22/28
A29/JS NUT, 3/8" BSF slotted	1	—	22/31
AGS784/3 PIN, split	1	—	22/38
SP15/J WASHER, 3/8" BSF plain	1	—	22/29
— MEMBER, TORQUE, REAR WALL FLAP, OUTER WING, ASSEMBLY (EA1.20.373) Spares for:—	—	—	22/17
R EA1.20.11077 BRACKET, LEVER, ASSEMBLY (Mod.5105) Spares for:—	1	—	22/1
R EA3.20.5175 BRACKET, lever (Mod.5105)	1	—	22/34
R EA3.20.5187 BUSH (Mod.5105)	2	S82	22/11
EA1.20.735 LEVER, BELL CRANK, FLAP OPERATION, GROUP Consisting of:—	1	—	22/6
EA1.25.65 BOLT, special	1	S96	22/16
EA1.20.739 BUSH	1	DTD265	22/9
EA1.20.741 BUSH	1	DTD265	22/5
EA1.20.745 BUSH	1	DTD265	22/12
EA1.20.737 LEVER, bell crank	1	L40	22/7
SP21 NIPPLE, lubrication	1	—	22/8
A27/JS NUT, 3/8" BSF slotted	1	—	22/15
SP90/C7 PIN, split	1	—	22/13
EA1.20.743 WASHER, special	2	L64	22/20
EEAS5 WASHER, fibre	1	BSS216	22/10
EEAS28/37/EU WASHER, special	1	S515	22/19
R A27/SS Attaching parts for EA1.20.735:— Nut, slotted, 3/4" BSF	1	—	22/35
R SP90/H11 Pin, split	1	—	22/36
R SP124/S Washer	1	—	22/37

MAIN PLANE

WING STRUCTURE, PORT

Part Number	Description	No. Off	Mati. Spec.	Plate No.
R EA1.20.11081	. . . BRACKET, LEVER, ASSEMBLY (Mod.5105) Spares for:—	1	—	22/3
R EA3.20.5179	. . . BRACKET, lever (Mod.5105)	1	—	22/34
R EA3.20.5187	. . . BUSH (Mod.5105)	2	S82	22/11
EA1.20.735	. . . LEVER, BELL CRANK, FLAP OPERATION, GROUP Consisting of:—	1	—	22/6
EA1.25.65	. . . BOLT, special	1	S96	22/16
EA1.20.739	. . . BUSH	1	DTD265	22/9
EA1.20.741	. . . BUSH	1	DTD265	22/5
EA1.20.745	. . . BUSH	1	DTD265	22/12
EA1.20.737	. . . LEVER, bell crank	1	DTD683	22/7
SP21	. . . NIPPLE, lubrication	1	—	22/8
A27/JS	. . . NUT, 3/8" BSF slotted	1	—	22/15
SP90/C7	. . . PIN, split	1	—	22/13
EA1.20.743	. . . WASHER, special	2	L64	22/20
EEAS5	. . . WASHER, fibre	1	BSS216	22/10
EEAS28/37/EU	. . . WASHER, special	1	S515	22/19
	Attaching parts for EA1.20.735:—			
R A27/SS	. . . Nut, slotted, 3/4" BSF	1	—	22/35
R SP90/H11	. . . Pin, split	1	—	22/36
R SP124/S	. . . Washer	1	—	22/37
R EA3.20.4229	. . . BRACKET, aileron inboard hinge (Alt.R60/23)	1	L92	22/14
EEAS37/9A	. . . NIPPLE, 4BA	16	S96	20/1
EEAS37/15A	. . . NIPPLE, 4BA	40	S96	20/3
EA1.20.3147	. . . NUT, special, drag channel and cross-head retaining	42	DTD683	20/31
EA1.20.3161	. . . PIECE, packing	6	—	19/22
EA3.20.2073	. . . PIN, aileron hinge, outboard	1	S65	19/32
EA3.20.2077	. . . PIN, aileron hinge, inboard	1	S65	19/31
—	. . . RIB, No. 4 AFT, OUTER WING, ASSEMBLY (EA1.20.57) Spares for:—	—	—	19/15
EA1.20.687	. . . BOLT, stop, aileron	2	S11	19/30
EA1.20.689	. . . MOUNTING, aileron stop bolt	1	L40	19/26
EA1.20.691	. . . MOUNTING, aileron stop bolt	1	L40	19/24
EA1.20.61	. . . RIB 6 assembly (rear) o/w Spares for:—	1	—	
EA3.20.309	. . . BRACKET, aileron centre hinge attachment (Pre Mod.304) (Pre Mod.5338)	1	DTD683	
EA3.20.1883	. . . BRACKET, aileron centre hinge attachment (Mod.304) (Pre Mod.5338)	1	DTD683	
EA3.20.5323	. . . BRACKET, aileron centre hinge attachment (Mod.5338)	1	S97	
EEAS1/3C	. . . SCREW, 2BA 120° c'sk head	4	S96	21/5
EEAS1/3E	. . . SCREW, 2BA 120° c'sk head	22	S96	21/4
EEAS1/5E	. . . SCREW, 2BA 120° c'sk head	2	S96	19/28
EEAS1/6E	. . . SCREW, 2BA 120° c'sk head	4	S96	19/21

MAIN PLANE
WING STRUCTURE, PORT

Part Number	1 2 3 4 5 6	Description	No. Off	Mati. Spec.	Plate No.
EA3.20.4195		. . SHROUD, OUTBOARD FLAP, ASSEMBLY (Mod.5050) (Pre-Mod.5348)	1	—	21/18
EA3.00.5719		. . SHROUD, OUTBOARD FLAP, ASSEMBLY (Spares for EA3.20.4195) (Mod.5348) Spares for:—	1	—	
EA3.20.2543		. . . PANEL, access Attaching parts for EA3.20.2543:—	2	L72	21/1
EEAS.1/1C		. . . Screw, 2BA c'sk head	20	S96	21/3
EA3.20.4205		. . . RIB No.4, outer wing, assembly (Mod.5050)	1	—	21/7
EA3.20.1977		. . . STOP, flap, assembly	11	—	21/6
R EA3.20.945		. . SHROUD, hinged aileron, outboard (Supplied with trim allowance and pilot holes) (Pre-Mod.5348)	1	—	19/17
R EA3.00.5727		. . SHROUD, aileron, outboard (Spares for EA3.20.945) (Mod.5348)	1	—	
R EA3.20.946		. . SHROUD, hinged aileron, outboard (Supplied with trim allowance and pilot holes) (Pre-Mod.5348)	1	—	19/18
R EA3.00.5728		. . SHROUD, aileron, outboard (Spares for EA3.20.946) (Mod.5348)	1	—	
R EA3.20.947		. . SHROUD, hinged aileron, inboard (Supplied with trim allowance and pilot holes) (Pre-Mod.5348)	1	—	19/19
R EA3.00.5725		. . SHROUD, aileron, inboard (Spares for EA3.20.947) (Mod.5348)	1	—	
R EA3.20.948		. . SHROUD, hinged aileron, inboard (Supplied with trim allowance and pilot holes) (Pre-Mod.5348)	1	—	19/20
R EA3.00.5726		. . SHROUD, aileron, inboard (Spares for EA3.20.948) (Mod.5348)	1	—	

MAIN PLANE
WING STRUCTURE, PORT

Part Number	Description 1 2 3 4 5 6	No. Off	Matl. Spec.	Plate No.

MAIN PLANE
WING STRUCTURE, PORT

Part Number	Description	No. Off	Matl. Spec.	Plate No.
EA1.20.2089	. . . SLEEVE, joint, air brake torque tube	2	DTD683	20/13
EEAS38/2A	. . . SPOKE, 4BA (Make from 28R/6124)	28	-	20/2
-	. . . STRUCTURE, ALTERATIONS TO TRAILING EDGE RIB 8 AND ADJUSTMENT TO WING TIP, ATTACHMENT (EK5.20.601) Spares for:	-	-	
AS1248/4C BOLT, 2BA mushroom head	4	-	24/2
EK5.20.603 BOOM, insertion, lower	1	-	24/3
EK5.20.605 BOOM, insertion, upper	1	-	24/5
AGS2008/C/1 NUT, anchor, 2BA	2	-	24/7
EEAS747/C NUT, anchor, 2BA	2	-	24/8
A27/CP NUT, plain, 2BA	4	-	24/9
A27/CT NUT, thin, 2BA	12	-	24/10
EK5.20.611 PACKING	2	-	24/11
AGS2042/611 PIN, sealing	10	-	24/12
EEAS1/2C SCREW, 2BA 120° c'sk head	12	-	24/1
EK5.20.613 SHIM, laminated	1	-	24/13
EK5.20.607 STRAP, butt	2	-	24/14
EK5.20.609 STRAP, butt	2	-	24/15
SP13/C WASHER, thick, 2BA	4	-	24/16
SP15/C WASHER, thick, 2BA	12	-	24/17
EA1.20.2201 TUBE, assembly, inboard air brake	1	-	20/11
EA1.20.2205 TUBE, assembly, outboard air brake	1	-	20/21
EA1.20.2203 TUBE, assembly, centre air brake	1	-	20/19
EA3.20.2239 WASHER, special	6	Lam. Alum.	19/25
EA3.20.2365 WASHER, special	1	L40	19/27
EA1.20.3145 WASHER, special	6	-	19/23
-	. . . STRUCTURE, ALTERATIONS TO LEADING EDGE, PORT WING, ASSEMBLY (EA4.04.10901) Spares for:	-	-	21/9
EB6.20.479	. . . COVER, cold air unit access	1	L72	21/26
F4-30	. . . FASTENER, dzus	4	-	21/21
GF4-150	. . . GROMMET, dzus	4	-	21/22
EA4.20.161	. . . PANEL, removable, between frames 1 and 2 Attaching parts for EA4.20.161:	1	L72	21/10
AGS2001/C/1	. . . Nut, stiff, 2BA	30	-	21/11
EEAS1/2C	. . . Screw, 2BA 120° c'sk head	30	S96	21/12
SP15/C	. . . Washer, 2BA plain	30	-	21/13
-	. . . PLATE, BLANKING, INSTALLATION (EA3.04.11141) Spares for:	-	-	21/20
EA3.04.11143	. . . PLATE, blanking, inboard engine rib Attaching parts for EA3.04.11143:	1	S516	21/27
A25/1½C	. . . Bolt, 2BA hex. head	4	-	21/25
AGS2001/C/1	. . . Nut, stiff, 2BA	4	-	21/24
S4-250	. . . SPRING, dzus	4	-	21/23

MAINPLANE
WING STRUCTURE, PORT

Part Number	Description	No. Off	Matl. Spec.	Plate No.
-	. RETRO EMBODIMENT REPAIR (Mod 4960) (EA3.20.4041 LH) Spares for:-	-	-	
-	. . . RETRO EMBODIMENT REPAIR UPPER O/B T/E ENGINE RIB NO.1 (EA3.20.4033) Spares for:-	-	-	
EA3.20.4063 BOLT, special	5	-	
EA3.03.65 BOLT, special (oversize)	2	-	
EC2.20.1307 CLEAT, upper (Mod 5112)	1	-	
EA3.20.1809 NUT, special	1	-	
EA3.20.1811 NUT, special	1	-	
A27LT NUT, 7/16" BSF thin	5	-	
EA3.20.4049 PACKING	1	-	
EA3.20.4173 PLATE, joint	1	-	
EA3.20.4175 PLATE, reinforcing Attaching parts for EA3.20.4173 and EA3.20.4175:-	1	-	
A25/6C Bolt, hex head 2 BA	16	-	
A27CT Nut, 2 BA	16	-	
SP124C Washer, 2 BA	16	-	
SP90G10 PIN, split	1	-	
SP16C WASHER	2	-	
EA3.20.4065 WASHER, special	5	-	
SP125L WASHER, thick 7/16" BSF	8	-	
-	. . . RETRO EMBODIMENT REPAIR LOWER O/B T/E ENGINE RIB NO.1 (EA3.20.4035) Spares for:-	-	-	
EA3.20.4063 BOLT, special	5	-	
EA3.03.65 BOLT, special (oversize)	2	-	
EA3.20.4035 CLEAT	1	-	
EA3.20.1809 NUT, special	1	-	
EA3.20.1811 NUT, special	1	-	
A27LT NUT, 7/16" BSF	5	-	
EA3.20.4049 PACKING	1	-	
EA3.20.4173 PLATE, joint	1	-	
EA3.20.4177 PLATE, reinforcing insert Attaching parts for plates:-	1	-	
A25/6C Bolt, hex head 2 BA	16	-	
A27CT Nut, 2 BA	16	-	
SP124C Washer	16	-	
SP90G10 PIN, split	1	-	
SP16R WASHER	2	-	
EA3.20.4065 WASHER, special	5	-	
SP125L WASHER, thick 7/16" BSF	5	-	

MAIN PLANE

WING STRUCTURE, PORT

Part Number	Description	No. Off	Matl. Spec.	Plate No.
-	RETRO EMBODIMENT REPAIR TO I/WING, T/EDGE ENGINE RIB, LH, No. 7 (E.A3.20.4037) (Mod. 4960) Spares for:-	-	-	
E.A3.20.4063	BOLT, special	10	-	
E.A3.03.66	BOLT, special	2	-	
E.A3.03.64	BOLT, special	2	-	
AS.1242/45L	BOLT, 7/16" BSF	2	-	
E.A3.20.4075	BUTTSTRAP, lower	1	-	
E.A3.20.4077	BUTTSTRAP, upper	1	-	
E.A3.20.4321	CLEAT, upper (Mod. 5112)	1	-	
E.A3.20.4028	CLEAT, lower	1	-	
E.A3.20.4069	INSERT, web	1	-	
A27/LT	NUT, 7/16" BSF, thin	12	-	
A27/QP	NUT, 5/8" BSF, plain	2	-	
A27/SP	NUT, 3/4" BSF, plain	2	-	
E.A3.20.4049	PACKING	1	-	
E.A3.20.4073	PLATE, reinforcing, upper	1	-	
E.A3.20.4071	PLATE, reinforcing, lower	1	-	
	Attaching parts for plates and buttstraps:-			
A25/6C	Bolt, 2 BA hex. head	32	-	
A25/4C	Bolt, 2 BA hex. head	4	-	
A27/CT	Nut, 2 BA thin	36	-	
SP13/C	Washer, thin	32	-	
SP15/C	Washer, thin	4	-	
E.A1.20.2295	WASHER, special	2	-	
E.A1.20.2327	WASHER, special	2	-	
E.A3.20.4095	WASHER, special	10	-	
SP16/S	WASHER, 3/4" BSF thin	2	Al. Alloy	
SP125/L	WASHER, 7/16" BSF	12	-	

MAIN PLANE

WING STRUCTURE, PORT

Part Number	Description	No. Off	Mtl. Spec.	Plate No.
-	RETRO EMBODIMENT REPAIR TO I/WING, T/EDGE RIB 6, PORT (E.A3.20.4039) (Mod. 4960) Spares for:-	-	-	
E.A3.03.73	BOLT, special	2	-	
E.A3.03.72	BOLT, special	2	-	
E.A3.20.4091	BOLT, special	10	-	
A60/3G	BOLT, 5/16" BSF shear	14	-	
A25/2G	BOLT, 5/16" BSF hex. head	1	-	
E.A3.20.4331	CLEAT, upper (Mod. 4112)	1	-	
A27/QP	NUT, 5/8" BSF plain	4	-	
A27/GP	NUT, 5/16" BSF plain	1	-	
A27/GT	NUT, 5/16" BSF thin	24	-	
E.A3.20.4089	PACKING	2	-	
E.A1.20.10477	PLATE, doubling	2	-	
E.A3.20.4085	PLATE, joint	2	-	
E.A3.20.4087	STRAP, reinforcing	2	-	
E.A3.20.4093	WASHER, special	10	-	
SP124/G	WASHER, 5/16"	14	-	
SP125/G	WASHER, 5/16" thick	1	-	
SP122/W	WASHER, 5/8"	4	-	
SP122/G	WASHER, 5/16"	10	-	
-	RETRO EMBODIMENT REPAIR TO O/WING L/EDGE ENGINE RIB 1 (E.A3.20.4031) (Mod. 4960) Spares for:-	-	-	
E.A3.20.4053	BOLT, special	9	-	
E.A3.03.65	BOLT, special	4	-	
E.A3.20.4043	BUTTSTRAP, outboard	2	-	
E.A3.20.4045	BUTTSTRAP, lower i/b	1	-	
E.A3.20.4051	BUTTSTRAP, upper i/b	1	-	
E.A3.20.4023	CLEAT, upper	1	-	
E.A3.20.5217	CLEAT, upper (Mod. 5112)	1	-	
E.A3.20.4021	CLEAT, lower	1	-	
E.A3.20.227	EYEBOLT	1	-	
E.A3.20.4057	INSERT, firewall	1	-	
E.A3.20.4058	INSERT, firewall	1	-	
E.A3.20.1809	NUT, special	2	-	
E.A3.20.1811	NUT, special	2	-	
E.A3.20.4047	PACKING	4	-	
E.A3.20.4049	PACKING	2	-	
E.A3.20.159	PLATE, gusset, upper	1	-	
E.A3.20.161	PLATE, gusset, lower	1	-	
E.A3.20.4055	WASHER, special	9	-	
A27/LT	Attaching parts for Cleats:- Nut, thin, 7/16" BSF	9	-	
A27/NS	Nut, slotted 1/2" BSF	1	-	
SP90/E10	Pin, split, 3/32"	1	-	
SP90/G12	Pin, split, 1/8"	2	-	
SP125/S	Washer, 3/4"	4	-	
SP125/L	Washer, 7/16"	9	-	
A25/5C	Attaching parts for Buttstraps and Packings:- Bolt, 2 BA hex. head	2	-	
A25/6C	Bolt, 2 BA hex. head	4	-	
AGS.2001/C1	Stiffnut, 2 BA	10	-	
SP15/C	Washer, 2 BA	10	-	

MAIN PLANE
WING STRUCTURE, PORT

Part Number	Description 1 2 3 4 5 6	No. Off	Mati. Spec.	Plate No.

A.P.101B-0417-3A

MAIN PLANE

Page JL1

WING STRUCTURE, STARBOARD

Part Number	Description	No. Off	Matl. Spec.	Plate No.
-	WING STRUCTURE, STARBOARD, ASSEMBLY (EA3.20.2)	-	-	
	Spares for:-			
EA1.20.1330	. ANGLE, attachment, rear cowl to firewall	1	-	12/36
EK5.20.676	. BALLJOINT (Alt.R60/5) (Mod.5101) (Pre-Mod.5348)	1	-	13/52
EA3.00.5716	. BRACKET, side stay attachment (Spares for EK5.20.676) (Mod.5348)	1	-	
	Consisting of:-			
EA1.20.1229	. BEARING, BALL, SPHERICAL SEATED, ASSEMBLY	1	-	13/42
	Spares for:-			
EA1.20.1231	. BUSH, bearing	1	DTD197	13/41
EA1.20.1233	. BOLT, special, retaining ring attachment	8	S11	13/44
EK5.20.640	. BRACKET (Alt.R60/5) (Mod.5101)	1	-	13/40
EA3.00.243	. BUSH, bearing (EA1.20.1216 and EA1.20.1218 wired together)	1	DTD412	13/46
EA1.20.1225	. DOWEL, special, ball bearing locating	2	S11	13/36
EA1.20.1235	. DOWEL, special, retaining ring locating	1	S11	13/48
SP21	. NIPPLE, lubrication	1	-	13/47
EA1.20.1219	. RING, bottom, retaining	1	DTD124	13/35
EA1.20.1222	. RING, top, retaining	1	DTD124	13/50
EA3.20.189	. BOLT, special, undercarriage attachment bracket	2	S97	14/2
EA1.20.601	. BOLT, special, aileron control hinge on rib 4, at outer wing	1	S11	14/36
EA1.20.947	. BOLT, special, undercarriage attachment bracket	1	S65	14/19
EA1.20.949	. BOLT, special, undercarriage attachment, bottom	2	S97	14/16
EA1.20.973	. BOLT, special, undercarriage bracket and aft rib 6 attachment to main spar	2	S65	14/1
EA1.20.1017	. BOLT, special, undercarriage attachment bracket	4	S97	14/27
EA3.20.1517	. BOLT, special shear, undercarriage bracket	6	S96	14/6
EA1.20.2297	. BOLT, special, undercarriage bracket and aft rib 6 attachment at rear spar	2	S65	14/5
EA3.20.3407	. BOLT, special, engine cowl attachment to engine ring	22	S11 or S105	12/1
EA3.20.3210	. BOSS AND LEVER AILERON CONTROL HINGE ON RIB 4, OUTER WING, GROUP (Mod.4956)	1	-	14/48
	Spares for:-			
EA3.20.3212	. ARM, curved lever	1	-	14/51
EA3.20.3215	. ARM, straight lever	1	-	14/53
SKEFCO				
CBS3	. BEARING, ballrace	2	-	14/49
AS1242/2C	. BOLT, 2BA c'sk head	2	-	14/56
AS1242/4E	. BOLT, 1/4" BSF c'sk head	12	-	14/57
EA1.20.599	. BUSH	1	-	14/58
EA3.20.3220	. GUARD, assembly	1	-	14/60
A27/ES	. NUT, slotted, 1/4" BSF	12	-	14/61
SP90/C8	. PIN, split 1" x 1/16"	12	-	14/62
EA3.20.3227	. RING, radius, assembly	2	-	14/63

MAIN PLANE
WING STRUCTURE, STARBOARD

Part Number	Description	No. Off	Mtl. Spec.	Plate No.
EA1.20.532	. BRACKET, undercarriage jack attachment Attaching parts for EA1.20.532:	1	S65	13/24
A25/5G	. Bolt, 5/16" BSF hex. head	6	-	13/12
A25/8G	. Bolt, 5/16" BSF hex. head	3	-	13/9
A25/9G	. Bolt, 5/16" BSF hex. head	4	-	13/20
AGS2001/G/1	. Nut, stiff, 5/16" BSF	6	-	13/10
AGS2002/G/1	. Nut, 5/16" BSF	7	-	13/21
SP15/G	. Washer, 5/16" BSF plain	4	-	13/22
SP16/G	. Washer, 5/16" BSF plain	9	-	13/11
EA3.20.2498	. BRACKET, FOR SHOOT BOLT, REAR, ASSEMBLY	1	-	13/14
EA3.20.2276	Spares for: . . . PAD, rear	1	OTD126A	13/8
AGS2001/C/1	Attaching parts for EA3.20.2276: . . . Nut, stiff, 2BA	3	-	13/19
EEAS1/2C	. . . Screw, 2BA 120° c'sk head	3	S96	13/1
SP13/C	. . . Washer, 2BA plain	3	-	13/16
EA1.20.2984	. BRACKET, undercarriage attachment stub Attaching parts for EA1.20.2984:	1	-	13/3
A25/8E	. Bolt, 1/4" BSF hex. head	4	-	13/15
A25/10J	. Bolt, 3/8" BSF hex. head	2	-	13/4
A27/EP	. Nut, 1/4" BSF plain	4	-	13/17
A27/JP	. Nut, 3/8" BSF plain	2	-	13/5
SP15/E	. Washer, 1/4" BSF plain	4	-	13/18
SP16/J	. Washer, 3/8" BSF plain	2	-	13/6
EA3.20.3028	. COWLING, REMOVABLE, JET PIPE END, GROUP	1	-	12/6
EA1.20.8261	Spares for: . . . CONE, jet end	1	DTD571	12/11
EA3.20.5079	. . . CONE, jet pipe end	1	S515	12/12
AS1248/1C	Attaching parts for EA1.20.8261 or EA3.20.5079: . . . Bolt, 2BA mushroom head	18	-	12/7
EA3.00.230	. EXTENSION WING, ASSEMBLY (EA1.20.1866) Spares for:	1	-	14/31
EA3.20.879	. . . BOLT, stop	1	-	14/34
EA1.20.2473	. . . PLATE, blanking, explosive bolt hole Attaching parts for EA1.20.2473:	2	L40	14/54
EA1.20.2471	. . . Plate, locking	1	L72	14/52
A33/C24	. . . Screw, 2BA c'sk head	1	-	14/55
-	. . . SKIN, TOP, ASSEMBLY (EA1.20.1874) Spares for:	-	-	14/42
EA3.20.1063 PANEL, access, explosive bolt	1	L72	14/41
EA3.20.1065 PANEL, access, explosive bolt	1	L72	14/29
-	. MOUNTING, engine and attachments (EA1.51.2) (See page LE1)	-	-	

MAIN PLANE
WING STRUCTURE, STARBOARD

Ref. No.	Part No.	Description							No. off	Mater. Spec.	Cl. of Equip. M.R. L.M.	Fig. and Index
		1	2	3	4	5	6	7				
565	E.A1.20.1157	MOUNTING, jet pipe							2	—	C	12/3
28D/1212594	A25/33E	Attaching parts for E.A1.20.1157:—										
28M/9480017	AGS.2001/E/1	Bolt, 1/4" BSF hex. head							2	—	C	12/2
28W/9419405	SP15/E	Nut, stiff, 1/4" BSF							2	—	C	12/8
		Washer, 1/4" BSF plain							2	—	C	12/9
3027	E.A1.20.261	NACELLE, engine upper, aft							1	—	A	12/10
R	—	PANEL, ACCESS, INSTALLATION							1	—	—	12/41
		(E.C.20.1336)										
		Spares for:—										
R	E.C.20.1341	PANEL, access, inner							1	—	—	12/42
R	E.C.20.1342	PANEL, access, outer							1	—	—	12/43
		Attaching parts for E.C.20.1341 and E.C.20.1342)										
R	EEAS.1/2/C	Bolt, csk. 2 BA							9	—	C	12/44
3028	E.A1.20.264	NACELLE, ENGINE LOWER AFT, GROUP							1	—	A	12/14
		Spares for:—										
17812	E.A1.20.620	ARMS, CENTRE LEVER, AILERON CONTROL, GROUP							1	—	B	12/19
		Spares for:—										
568	E.A1.20.621	ARM, CENTRE LEVER, GROUP							2	—	B	12/25
		Consisting of:—										
569	E.A1.20.469	ARM, lever							1	L40	C	12/23
2A/9500463	SKEFCO	BEARING, ballrace							1	—	C	12/16
	CBA2											
75	EEAS.3/D	HOUSING, ballrace							1	L65	C	12/17
92	EEAS.4/20C	WASHER, packing							2	L72	C	12/15
		Attaching parts for E.A1.20.621:—										
6523	E.A3.45.449	Bolt, special, 2 BA							3	S95	C	12/27
28M/5808573	A27/CS	Nut, 2 BA slotted							3	—	C	12/28
28P/9527169	SP90/C7	Pin, split							3	—	C	12/30
28W/9419402	SP13/C	Washer, 2 BA plain							3	—	C	12/29
20747	E.A1.20.346	MOUNTING, C/W BOSS, ASSEMBLY							1	—	B	12/39
		Spares for:—										
2A/9500412	SKEFCO	BEARING, ballrace							2	—	C	12/31
	CBS3											
570	E.A1.20.467	BOLT, special							1	L40	C	12/37
571	E.A1.20.579	BOSS, lever							1	L40	C	12/33
572	E.A1.20.463	TUBE, distance							1	L40	C	12/34
6494	E.A1.20.2259	DOOR, ASSEMBLY							1	—	B	12/20
		Spares for:—										
28FP/1004552	ODDIE	STUD, fastener							1	—	C	12/21
	PT/217											
28FP/1004893	ODDIE	WASHER, fastener							1	—	C	12/22
	PT/214											

MAIN PLANE
WING STRUCTURE, STARBOARD

Ref. No.	Part No.	Description	No. off	Matl. Spec.	Cl. of Equip. M.R. L.M.	Fig. and Index
5162	E.A3.20.1809	NUT, special, undercarriage bracket bottom bolt	2	BAC.M37	C	14/28
5163	E.A3.20.1811	NUT, special, undercarriage bracket bottom bolt	2	BAC.M37	C	14/35
1432	E.A3.20.314	PANEL, closing, bottom skin, outer wing	1	—	C	14/40
	or					
	E.A3.20.4426	PANELS, CLOSING, INSTALLATION	—	—	—	
		Spares for E.A3.20.4426:—				
6119328	E.A3.20.4556	PANEL, closing, bottom skin, outer wing	1	—	—	14/57
6119351	E.G7.20.1191	PANEL, closing, bottom skin, outer wing	1	—	—	14/59
6119332	E.A3.20.4560	PANEL, closing, bottom skin, outer wing	1	—	—	14/61
6119334	E.A3.20.4562	PANEL, closing, bottom skin, outer wing	1	—	—	14/63
	E.A3.20.4678	STRIP, landing	1	L73	—	14/77
		Attaching parts for E.A3.20.4426:—				
	EEAS.1/2/C	Bolt, csk., 2 BA	AR	—	—	14/64
	EEAS.1/3 1/2/C	Bolt, csk., 2 BA	AR	—	—	14/65
1434	E.A3.20.356	PANEL, closing, bottom skin, outer wing	1	—	C	14/18
	or	(E.A3.00.5118)				
	E.A3.20.4312	PANELS, CLOSING, INSTALLATION	1	—	—	14/67
		Spares for E.A3.20.4312:—				
6119323	E.A3.20.4486	PANEL, closing, bottom skin, inner wing	—	—	—	14/69
		Attaching parts for E.A3.20.4486:—				
	EEAS.1/2 1/2/C	Bolt, csk., 2 BA	AR	—	C	14/70
	EEAS.1/4/C	Bolt, csk., 2 BA	AR	—	C	14/71
	EEAS.1/4/E	Bolt, csk., 1/4" BSF	AR	—	C	14/72
6119325	E.A3.20.4488	PANEL, closing bottom skin, inner wing	1	—	—	14/74
		Attaching parts for E.A3.20.4488:—				
	EEAS.1/2 1/2/C	Bolt, csk., 2 BA	19	—	C	14/75
	EEAS.1/4/E	Bolt, csk., 1/4" BSF	24	—	C	14/72
	E.A3.20.4680	PLATE, nut	1	L73	—	14/79
3056	E.A3.20.380	PANEL, closing, bottom skin, outer wing	1	—	C	14/38
578	E.A1.20.2234	PANEL, closing, bottom skin, outer wing	1	—	C	14/33
1874	E.A3.20.897	PIN, special, undercarriage attachment bracket	1	S92	C	13/26
581	E.A1.20.2987	PIN, special, stop attachment	1	S11	C	13/25

MAIN PLANE
WING STRUCTURE, STARBOARD

Part Number	Description	No. Off	Matl. Spec.	Plate No.
-	REINFORCING OF MAIN SPAR WEB SHEAR CONNECTIONS (EK5.20.722)	-	-	14A/2
	Spares for:			
EK5.20.724	ANGLE, reinforcing	1	-	14A/4
	Attaching parts for EK5.20.724:			
A59/6J	Bolt, 3/8" BSF	7	-	14A/5
SP16J	Washer	7	-	14A/6
EK5.20.726	ANGLE, reinforcing	1	-	14A/8
	Attaching parts for EK5.20.726:			
A60/6J	Bolt, 3/8" BSF	15	-	14A/9
A58/JT	Nut, thin, 3/8" BSF	15	-	14A/10
SP16/J	Washer	7	-	14A/11
EK5.20.727	STRIP, profile	1	-	14A/12
EK5.20.729	STRIP, profile	1	-	14A/13
EA1.20.203	RING, rear cowl, false spar connecting	1	-	12/4
EEAS1/1-1/2/C	SCREW, 2BA 120° c'sk head	87	S96	14/43
EEAS1/2/C	SCREW, 2BA 120° c'sk head	57	S96	14/44
EEAS1/3-1/2/C	SCREW, 2BA 120° c'sk head	20	S96	14/45
EEAS1/3-1/2/E	SCREW, 1/4" BSF 120° c'sk head	13	S96	14/46
EEAS1/5E	SCREW, 1/4" BSF 120° c'sk head	8	-	

R

MAIN PLANE

WING STRUCTURE, STARBOARD

Part Number	Description	No. Off	Mtl. Spec.	Plate No.	1 2 3 4 5 6					
EA3.20.363	. SHROUD, inboard, aileron centre hinge	1	-	14/25						
EA3.20.365	. SHROUD, outboard, aileron centre hinge	1	-	14/26						
EA3.20.1184	. SHROUD, inboard, aileron hinge	1	-	14/23						
A25/1C	. Bolt, 2BA hex. head	2	-	14/24						
EA1.20.1328	. SKID, operating main undercarriage hinged flap	1	-	14/11						
EA3.20.6	. SPAR, MAIN, ASSEMBLY	1	-	14/21						
-	. Spares for:-									
-	. ALTERATIONS TO MAIN SPAR AT SLINGING/ PICKETING POSITION (EK5.20.702)	Ref.	-							
EK5.20.708	. . . ANGLE, reinforcing	1	L73							
EK5.20.710	. . . STRAP, reinforcing	1	L73							
EK5.20.711	. . . WASHER, radius	2	L73							
EK5.20.713	. . . INSERT	2	L73							
EK5.20.715	. . . SHIM	A/R	L73							
EK5.20.717	. . . BOLT, special	14	-							
EK5.20.719	. . . BOLT, special	8	-							
EA1.20.2666	. BRACKET, AIR BRAKE JACK ATTACHMENT, ASSEMBLY	1	-	14/3						
EA1.20.2917	. Spares for:-									
EA1.20.2917	. . . BUSH	2	-	14/7						
A25/4C	. Attaching parts for EA1.20.2666:-									
A25/4C	. Bolt, 2BA hex. head	2	-	14/10						
A25/4E	. Bolt, 1/4" BSF hex. head	2	-	14/13						
A27/CP	. Nut, 2 BA plain	2	-	14/8						
A27/ET	. Nut, 1/4" BSF plain	2	-	14/14						
JC5A	. . . COMPOUND, jointing (SEM048)	QR	-							
SEM048 FIG.1	. . . PLATE, protection	1	L73 x 20 SWG							
EK5.20.642	. STRUT, undercarriage tie (Alt.R60/4-) (Mod.5101) (Pre Mod.5348)	1	-	13/34						
EA3.00.5718	. STRUT, undercarriage tie (Spares for EK5.20.642) (Mod.5348)	1	-							
A60/16/L	. Attaching parts for EK5.20.642:-									
A60/16/L	. Bolt, 7/16" BSF shear	2	-	13/43						
A60/8P	. Bolt, shear	1	-	13/32						
A25/7C	. Bolt, 2BA	16	-	13/51						
A57/LS	. Nut, 7/16" BSF slotted	2	-	13/38						
A58/PS	. Nut	1	-	13/29						
A27/CP	. Nut, 2BA	16	-	13/52						
SP90/C10	. Pin, split	3	-	13/30						
SP125L	. Washer, thick	2	-	13/37						
SP125/P	. Washer, thick	1	-	13/28						
SP125/C	. Washer, thick	16	-	13/53						
EA1.20.183	. STUD, special, at cowl and firewall	21	S96	12/26						
EA1.20.1669	. STUD, special, attachment angle at firewall	2	S96	12/36						
EA1.20.2989	. STUD, special, undercarriage jack attachment bracket end	1	S96	13/27						
EA1.20.145	. TUBE, distance, for special studs	23	-	12/24						
EA3.20.1057	. WASHER, special, undercarriage bracket	9	L40	14/9						
EA1.20.2295	. WASHER, special, undercarriage bracket top bolt	2	S96	14/12						
EA1.20.2327	. WASHER, special, undercarriage bracket bottom bolt	2	S96	14/15						
EA1.20.2991	. WASHER, special, undercarriage jack attachment bracket end	1	DTD126	13/31						

MAIN PLANE

WING STRUCTURE, STARBOARD

Part Number	Description	No. Off	Mati. Spec.	Plate No.
-	WING, OUTER TRAILING EDGE, SCHEME TO REPLACE ANCHOR NUTS ON GUSSET PLATES AT RIBS 2 AND 3 (E.A3.20.5282) Spares for:-	-	-	
AGS.2007/E/1	. . . NUT, anchor, 1/4" BSF	8	-	21/28
E.A3.20.5287	. . . PLATE, gusset, half, 10 SWG	1	L88	21/30
E.A3.20.5289	. . . PLATE, gusset, half, 10 SWG	1	L88	21/32
E.A3.20.5297	. . . PLATE, gusset, half, 10 SWG	1	L88	21/34
E.A3.20.5299	. . . PLATE, gusset, half, 10 SWG	1	L88	21/36
E.A3.20.5292	. . . STRAP, joint, 10 SWG	1	L73	21/38
E.A3.20.5302	. . . STRAP, joint, 10 SWG	1	L73	21/40
-	WING, OUTER LEADING EDGE, ASSEMBLY (E.A3.20.4) Spares for:-	-	-	16/31
E.A3.20.10	. . . SKIN, NOSE BAY No. 6, ASSEMBLY (Supplied to Part No. E.A3.00.542 for spares purposes) Spares for:-	1	-	16/34
E.A3.20.1105	. . . EYE-BOLT	34	S96	16/11
E.A1.20.5321	. . . EYE-BOLT	34	S96	16/12
-	WING, CENTRE AFT OF SPAR, ASSEMBLY (E.A3.20.12) Spares for:-	-	-	15/9
-	. . . MEMBER, TORQUE, REAR WALL, ASSEMBLY (E.A1.20.8271) Spares for:-	-	-	15/20
R E.A1.20.11075	. . . BRACKET, LEVER, ASSEMBLY (Mod. 5105) Spares for:-	2	-	15/13A
E.A3.20.5173	. . . BRACKET, lever (Mod. 5105)	1	-	15/42A
E.A3.20.5187	. . . BUSH (Mod. 5105)	2	S82	15/25A

MAIN PLANE
WING STRUCTURE, STARBOARD

Part Number	Description 1 2 3 4 5 6	No. Off	Matl. Spec.	Plate No.

MAIN PLANE
WING STRUCTURE, STARBOARD

Part Number	Description	No. Off	Mtl. Spec.	Plate No.
EA1.20.735 LEVER, BELL CRANK, FLAP OPERATION, GROUP Consisting of:	1	-	15/26
EA1.25.65 BOLT, special	1	S96	15/35
EA1.20.739 BUSH	1	DTD276	15/32
EA1.20.741 BUSH	1	DTD265	15/31
EA1.20.745 BUSH	1	DTD265	15/34
EA1.20.737 LEVER, bell crank	1	L40	15/30
SP21 NIPPLE, lubrication	1	-	15/28
A27/JS NUT, 3/8" BSF slotted	1	-	15/41
SP90/C7 PIN, split	1	-	15/36
EA1.20.743 WASHER, special	2	L64	15/39
EEAS5 WASHER, fibre	1	BSS216	15/29
EEAS28/37/EU WASHER, special	1	S515	15/40
EA1.20.321 BUSH	1	-	15/15
EA3.20.2608	. . . SHROUD, FLAP, ASSEMBLY (Pre Mod.5348)	1	-	15/24
EA3.00.5723	. . . SHROUD, FLAP, ASSEMBLY (Spares for EA3.20.2608) (Mod.5348) Spares for:	1	-	
EA3.20.2513 PANEL, access Attaching parts for EA3.20.2153:	1	L72	15/14
EEAS1/1C Screw, 2BA 120° c'sk head	14	S96	15/33
EA3.20.2515 PANEL, access Attaching parts for EA3.20.2515:	1	L72	15/21
EEAS1/1C Screw, 2BA 120° c'sk head	14	S96	15/33
EA3.20.1977 STOP, flap, assembly	8	-	15/27
-	. WING, INNER LEADING EDGE, ASSEMBLY (EA3.20.14) Spares for:	-	-	
EA1.20.1349 BLOCK, stop, undercarriage Attaching parts for EA1.20.1349:	1	L40	17/8
A25/29E	. . . Bolt, 1/4" BSF hex. head	3	-	17/32
A27/ES	. . . Nut, 1/4" BSF slotted	3	-	17/34
SP90/C7	. . . Pin, split	3	-	17/28
SP16/E	. . . Washer, 1/4" BSF plain	3	-	17/33
EA3.20.1154	. . . BRACKET, undercarriage "up" lock Attaching parts for EA3.20.1154:	1	L40	17/12
As1242/7J	. . . Bolt, 3/8" BSF c'sk head	1	-	17/24
AS1242/8J	. . . Bolt, 3/8" BSF c'sk head	1	-	17/25
A25/7J or	. . . Bolt, 3/8" BSF hex. head	3	-	17/5
A25/8J	. . . Bolt, 3/8" hex. head	3	-	17/6
A27/JJ	. . . Nut, 3/8" BSF plain	3	-	17/20
AGS2001/J/1	. . . Nut, stiff, 3/8" BSF	1	-	17/9
EA1.20.1351	. . . Shim	1	Lam. Alum.	17/7
EA3.20.2969	. . . Shim	1	L72	17/10
EA3.20.3420	. . . BRACKET, tension spring (Mod.4449) Attaching parts for EA3.20.3420:	1	L72	17/23
A25/3C	. . . Bolt, 2BA hex. head	2	-	17/19
A27/CT	. . . Nut, 2BA thin	2	-	17/27
SP15/C	. . . Washer, 2BA plain	2	-	17/26

MAIN PLANE
WING STRUCTURE, STARBOARD

Part Number	Description	No. Off	Matl. Spec.	Plate No.
				1 2 3 4 5 6
-	BRACKET, MAIN UNDERCARRIAGE AND RIB 7, ASSEMBLY (EA3.20.1208) Spares for:	-	-	18/16
EA3.20.5064	BRACKET, main forging Attaching parts for EA3.20.5064:	1	DTD5094	18/32
A25/22L	Bolt, 7/16" BSF hex. head	1	-	18/37
A25/23L	Bolt, 7/16" BSF hex. head	1	-	18/34
A25/9N	Bolt, 1/2" BSF hex. head	6	-	18/38
A27/LP	Nut, 7/16" BSF plain	2	-	18/39
A27/NP	Nut, 1/2" BSF plain	6	-	18/40
SP15/L	Washer, 7/16" BSF plain	2	-	18/36
SP16/N	Washer, 1/2" BSF plain	6	-	18/41
EC2.20.1305	CLEAT, inboard engine rib (Mod.5112)	1	-	18/19
EA1.20.1938	EYE-BOLT	1	-	18/10
EA3.20.184	PLATE, tie, support, upper (Supplied to Part No. EA3.00.666 for spares purposes) Attaching parts for EA3.20.184:	1	L65	18/29
EA3.20.1151	Bolt, special	2	S96	18/17
A25/4G	Bolt, 5/16" BSF hex. head	12	-	18/33
A25/5G	Bolt, 5/16" BSF hex. head	14	-	18/26
A27/GT	Nut, 5/16" BSF thin	28	-	18/21
EA3.20.1124	Strip, packing	1	-	18/23
SP16/G	Washer, 5/16" BSF plain	14	-	18/25
EA3.20.186	PLATE, tie, support, lower (Supplied to Part No. EA3.00.636 for spares purposes) Attaching parts for EA3.20.186:	1	L65	18/47
EA3.20.1121	Bolt, special	1	S96	18/43
A25/5G	Bolt, 5/16" BSF hex. head	11	-	18/35
A25/8G	Bolt, 5/16" BSF hex. head	18	-	18/30
A57/9G	Bolt, 5/16" BSF shear	3	-	18/48
A27/GT	Nut, 5/16" BSF thin	32	-	18/45
EA3.20.2303	Tab, locking	1	-	18/49
SP16/G	Washer, 5/16" BSF plain	32	-	18/44
SP16/J	Washer, 3/8" BSF plain	1	-	18/42
EA3.20.172	RIB, INBOARD, ENGINE, ASSEMBLY Spares for:	1	-	18/14
EA1.20.11068	ANGLE, stub Attachments:	1	-	26/1
A59/2C	Bolt, 2BA hex. head	8	-	26/2
AGS2001/C/1	Nut, stiff, 2BA	9	-	26/3
EEAS1/2C	Screw, 2BA c'sk head	1	-	26/4
SP122/D	Washer	9	-	26/5
EA1.20.11067	ANGLE, stub Attachments:	1	-	26/6
A59/2C	Bolt, 2BA hex. head	4	-	26/7
AGS2001/C/1	Nut, stiff, 2BA	8	-	26/8
A27/CT	Nut, thin 2BA	1	-	26/8A
EEAS1/2C	Screw, 2BA c'sk head	5	-	26/9
SP122/D	Washer	8	-	26/10
EA1.20.11072	ANGLE, stub Attachments:	1	-	26/11
A59/2C	Bolt, 2BA hex. head	8	-	26/12
AGS2001/C/1	Nut, stiff, 2BA	9	-	26/13
EEAS1/2C	Screw, 2BA c'sk head	1	-	26/14
SP122/D	Washer	9	-	26/15

R

MAIN PLANE

WING STRUCTURE, STARBOARD

Part Number	Description	No. Off	Matl. Spec.	Plate No.
R EA1.20.11071 ANGLE, stub Attachments:—	1	—	26/16
R A59/2C Bolt, 2 BA hex. head	8	—	26/17
R AGS2001/C/1 Nut, stiff, 2 BA	9	—	26/18
R EEAS.1/2C Screw, 2 BA c'sk head	1	—	26/19
R SP122/D Washer	9	—	26/20
R EA1.20.6934 BOOM, RIB, INBOARD, L/E, STARBOARD, ASSEMBLY Spares for:—	1	—	18/6
R ASD512/RS/2 FLANGE, boom, upper (For up to 7" fracture)	1	—	18/3
R ASD625/RS/2	or FLANGE, boom, upper (For up to 14" fracture)	1	—	18/4
R ASD628/RS/2 FLANGE, boom, lower	1	—	18/12
R EA3.20.4015 SHIM, laminated (Mod 4933)	1	—	18/20
R EA3.20.4017 SHIM, (Mod 4933)	1	L73	18/24
R EA3.20.4019 SHIM, (Mod 4933)	1	L73	18/8
R EA3.20.2496	. . . BRACKET, UNDERCARRIAGE SHOOT BOLT, FORWARD, ASSEMBLY Spares for:—	1	—	17/46
R EA3.20.2273 PAD Attachments:—	1	DTD124A	17/44
R AS1242/1C Bolt, 2 BA c'sk head	2	—	17/43
R AGS2001/C/1 Nut, stiff, 2 BA	2	—	17/47
EA1.20.3149	. . . CRADLE, undercarriage stop block	1	—	17/35
EA3.20.2573	. . . HOOK, UNDERCARRIAGE, "UP" LOCK, ASSEMBLY Consisting of:—	1	—	17/40
EA1.20.1243 BUSH, bearing	2	DTD412	17/38
EA3.20.2571 HOOK	1	S65	17/42
EA1.20.1251 Bolt, special	1	S65	17/14
A27/JS Nut, 3/8" BSF slotted	1	—	17/16
SP90/C7 Pin, split	1	—	17/18
EA1.20.1369 SCREW, special locking (Use 28S/9435712)	1	—	17/15
EA1.20.2447 Shim	2	Lam.Alum.	17/37
SP13/J Washer, 3/8" BSF plain	1	—	17/21

MAIN PLANE
WING STRUCTURE, STARBOARD

Part Number	1 2 3 4 5 6	Description	No. Off	Matl. Spec.	Plate No.
EB7.20.124 EA3.00.5122	. . .	PANEL, REMOVABLE, INNER WING LEADING EDGE TOP, ASSEMBLY Spares for:—	1	—	16/29
EB7.20.277	COVER, DIPSTICK ACCESS, 2-SPEED GENERATOR DRIVE, ASSEMBLY Consisting of:—	1	—	16/16
†	CHAIN, chandelier	QR	Brass	16/14
EB7.20.273	COVER, assembly	1	—	16/13
EB7.20.275	HOUSING, ASSEMBLY Spares for:—	1	—	16/17
PIONEER PO14311813	RING, "O"	1	DTD900	16/18
169/3/8	RING, split	2	—	16/15
EA1.20.8289	COVER, inspection	1	L72	16/24
F3.25/DS	FASTENER, dzus	4	—	16/25
F3.30/DS	FASTENER, dzus	10	—	16/26
F4.30	FASTENER, dzus	4	—	16/8
GF4.150	GROMMET, dzus	4	—	16/9
S3.200	SPRING, dzus	14	—	16/27

R

MAIN PLANE
WING STRUCTURE, STARBOARD

Part Number	Description	No. Off	Matl. Spec.	Plate No.
S4-250	. . . SPRING, dzus	4	-	16/10
EA1.20.1120	. . . PANEL, removable, inner wing leading edge top, assembly (Undrilled and with trim allowance to Drg.No. EA3.00.5124)	1	L72	16/20
EA1.20.1343	. . . PANEL, detachable nose, inner wing leading edge (Supplied to Part No.EA3.00.237 for spares purposes)	1	L72	16/23
EA1.20.10871	. . . PIECE, packing	10	L72	17/4
EA1.20.10873	. . . PIECE, packing	4	L72	17/2
EA1.20.10875	. . . PIECE, packing	3	L72	17/1
EEAS1/1-1/2C	. . . SCREW, 2BA 120° c'sk head	103	S96	16/21
EEAS1/3C	. . . SCREW, 2BA 120° c'sk head	13	S96	17/3
EEAS1/4C	. . . SCREW, 2BA 120° c'sk head	12	S96	18/18
EEAS1/4E	. . . SCREW, 1/4" BSF 120° c'sk head	3	S96	18/7
EEAS1/5E	. . . SCREW, 1/4" BSF 120° c'sk head	4	S96	18/27
EA3.20.1067	. . . SHIM, undercarriage stop	1	Lam. Alum.	17/13
EA1.20.1355	. . . SHIM, undercarriage stop	1	L72	17/17
EA1.20.1317	. . . SKIN, OUTER BOTTOM, INNER WING, ASSEMBLY	1	-	16/2
EA1.20.3191	. . . COVER, inspection, oil sump Attaching parts for EA1.20.3191:	1	-	16/4
EEAS1/1C	. . . Screw, 2BA 120° c'sk head	8	S96	16/5
-	. . . SKIN, BOTTOM, ASSEMBLY (EA1.20.7053) Spares for:	-	-	16/7
EA3.20.909	. . . STOP, door	1	L40	16/3
EA3.20.3905	. . . SPRING, tension, undercarriage hook (Mod.4449) Attaching parts for EA3.20.3905:	1	DTD215	17/41
A25/3C	. . . Bolt, 2BA hex. head	1	-	17/31
A25/4C	. . . Bolt, 2BA hex. head	1	-	17/39
AGS2001/C/1	. . . Nut, stiff, 2BA	2	-	17/36
AS2806/4/014	. . . Tube, distance (Mod.4449)	2	-	17/30
EEAS27/22/HR	. . . Washer	2	L72	17/29
-	. . . WING, OUTER, AFT OF SPAR, C/W AIR BRAKE, ASSEMBLY (EA3.20.16) Spares for:	-	-	
-	. . . ACCESS TO AILERON CENTRE HINGE (EA3.20.4928) Spares for EA3.20.4928:	Ref.	-	
EA3.20.5093	. . . PANEL, access Attaching parts for EA3.20.5093:	2	L73	3/39
EEAS1/1C	. . . Bolt, 2BA c'sk head	24	-	3/40
EA3.20.2075	. . . BRACKET, aileron hinge outboard (Pre Alt.R60/23)	1	-	19/29
EA3.20.4227	. . . BRACKET, aileron hinge, outboard (Alt.R60/23) Attaching parts for EA3.20.2075:	1	L92	
AS1248/4/C	. . . Bolt, 2BA mushroom head	4	-	19/35
A27/CP	. . . Nut, 2BA plain	4	-	19/33
SP13/C	. . . Washer, 2BA plain	4	-	19/34
EA1.20.2207	. . . COVER, drag channel end	9	-	20/5
EA1.20.2209	. . . COVER, drag channel end	12	-	20/28
EA1.20.2352	. . . DOOR, access, air brake Attaching parts for EA1.20.2352:	1	L73	21/15
EEAS1/2C	. . . Screw, 2BA 120° c'sk head	30	S96	21/16
EEAS1/2½C	. . . Screw, 2BA 120° c'sk head	11	S96	21/17

R
R

MAIN PLANE
WING STRUCTURE, STARBOARD

Part Number	1 2 3 4 5 6	Description	No. Off	Mtl. Spec.	Plate No.
-		FRAME, AIR BRAKE, RIB 2-2B, ASSEMBLY (EA3.20.253)	-	-	20/15
		Spares for:			
EA1.20.2057		CROSS-HEAD, drag channel	1	L40	20/32
		Attaching parts for EA1.20.2057:			
AGS2002/E/3 SP15/E		Nut, stiff, 1/4" BSF	2	-	20/29
		Washer, 1/4" BSF plain	2	-	20/30
EA3.20.255		PLATE, SIDE, ASSEMBLY	2	-	20/12
		Spares for:			
EA1.20.2065		HOUSING, bearing, assembly	1	-	20/27
EA1.20.2055		TUBE, bracing	2	-	20/14
-		FRAME, AIR BRAKE, RIB 3-3A, ASSEMBLY (EA3.20.264)	-	-	20/8
		Spares for:			
EA1.20.2057		CROSS-HEAD, drag channel	2	-	20/32
		Attaching parts for EA1.20.2057:			
AGS2002/E/3 SP15/E		Nut, stiff, 1/4" BSF	2	-	20/29
		Washer, 1/4" BSF plain	2	-	20/30
EA1.20.2047		PLATE, SIDE, ASSEMBLY	1	-	20/24
		Spares for:			
EA1.20.2065		HOUSING, bearing, assembly	2	-	20/27
EA3.20.262		PLATE, SIDE, ASSEMBLY	1	-	20/26
		Spares for:			
EA1.20.2075		BUSH, jack lever attachment	1	-	20/20
EA1.20.2065		HOUSING, bearing, assembly	2	-	20/27
EA1.20.2077		TUBE, bracing	2	-	20/16
EA1.20.2069		FRAME, AIR BRAKE, RIB 2-3A, ASSEMBLY	2	-	20/4
		Spares for:			
EA1.20.2057		CROSS-HEAD, drag channel	2	L40	20/32
		Attaching parts for EA1.20.2057:			
AGS2002/E/3 SP15/E		Nut, stiff, 1/4" BSF	2	-	20/29
		Washer, 1/4" BSF plain	2	-	20/30
EA1.20.2045		PLATE, SIDE, ASSEMBLY	2	-	20/9
		Spares for:			
EA1.20.2065		HOUSING, bearing, assembly	2	-	20/27
EA1.20.2055		TUBE, bracing	2	-	20/10
EA1.20.2071		FRAME, AIR BRAKE, RIB 3B-4, ASSEMBLY	2	-	20/6
		Spares for:			
EA1.20.2057		CROSS-HEAD, drag channel	2	L40	20/32
		Attaching parts for EA1.20.2057:			
AGS2002/E/3 SP15/E		Nut, stiff, 1/4" BSF	2	-	20/29
		Washer, 1/4" BSF plain	2	-	20/30

MAIN PLANE

WING STRUCTURE, STARBOARD

Part Number	1 2 3 4 5 6	Description	No. Off	Mati. Spec.	Plate No.
EA1.20.2047	. . .	PLATE, SIDE, ASSEMBLY Spares for:—	2	—	20/17
EA1.20.2065	HOUSING, bearing, assembly	2	—	20/27
EA1.20.2077	TUBE, bracing	2	—	20/18
EA3.20.367	. . .	HINGE, AILERON CENTRE, ASSEMBLY Spares for:—	1	—	19/14
EA1.20.325	. . .	BRACKET, aileron centre hinge Attaching parts for EA1.20.325:—	1	L40	19/11
EA1.20.511	Bolt, special	1	S95	19/10
EA1.20.1433	Nut, special	1	—	19/12
SP90/G10	Pin, split	1	—	19/13
EA3.20.375	Washer, special	2	L40	19/7
EA1.20.693	. . .	BRACKET, aileron shroud angle attachment Attaching parts for EA1.20.693:—	2	L56	19/2
A25/4C	Bolt, 2BA hex. head	2	—	19/1
A27/CS	Nut, 2BA slotted	2	—	19/3
SP90/C7	Pin, split	2	—	19/4
EA1.20.1097	Shim	2	—	19/9
EA3.20.371	. . .	FITTING, CENTRE HINGE, ASSEMBLY Spares for:—	1	—	19/5
RANSOME & MARLES					
CK.5/8"	BEARING, ballrace	1	—	19/6
AGS2030/57	CIRCLIP, internal Attaching parts for EA3.20.367:—	1	—	19/6
A59/15J	Bolt, 3/8" BSF hex. head (Alt.R60/95 RI)	4	—	19/36
A27/JS	Nut, slotted, 3/8" BSF	4	—	19/37
SP90/C7	Pin, split	4	—	19/38
EA1.20.2091	. . .	HOUSING, ballrace, air brake cross tube, assembly Attaching parts for EA1.20.2091	2	—	20/22
A61/2C	. . .	Bolt, 2BA hex. head	6	—	20/23
EA1.20.604	. . .	LEVER, AILERON CONTROL, ASSEMBLY Spares for:—	1	—	22/24
EA1.20.641	ARM, LEVER C/W BOSS, ASSEMBLY Spares for:—	1	—	22/22
EA1.20.639	ARM, lever, c/w bearings Attaching parts for EA1.20.639:—	1	—	22/21
A25/5C	Bolt, 2BA hex. head	3	—	22/30
A27/CP	Nut, 2BA plain	3	—	22/33
SP16C	Washer, 2BA plain	3	—	22/32
SKEFCO					
CBS.3	BEARING, ballrace	2	—	22/25
EA1.20.607	BOSS	1	—	22/26
EA1.20.615	BUSH, distance	1	—	22/27
EA1.20.609	BOLT, special, pivot 3/8" BSF	1	L40	22/28
A29/JS	NUT, 3/8" slotted	1	—	22/31
AGS784/3	PIN, split	1	—	22/38
SP15/J	WASHER, 3/8" BSF plain	1	—	22/29

MAIN PLANE

WING STRUCTURE, STARBOARD

Part Number	1 2 3 4 5 6	Description	No. Off	Mati. Spec.	Plate No.
-		MEMBER, TORQUE REAR WALL, AT FLAP OUTER WING, ASSEMBLY (EA1.20.374)	-	-	22/18
		Spares for:-			
R EA1.20.11079		BRACKET, LEVER, ASSEMBLY (Mod.5105)	1	-	22/2
		Spares for:-			
R EA1.20.5177		BRACKET, lever (Mod.5105)	1	-	22/34
R EA3.20.5187		BUSH (Mod.5105)	2	S82	22/11
EA1.20.735		LEVER, BELL CRANK, FLAP OPERATION, GROUP	1	-	22/6
		Consisting of:-			
EA1.25.65		BOLT, special	1	S96	22/16
EA1.20.739		BUSH	1	DTD265	22/9
EA1.20.741		BUSH	1	DTD265	22/5
EA1.20.745		BUSH	1	DTD265	22/12
EA1.20.737		LEVER, bell crank	1	L40	22/7
SP21		NIPPLE, lubrication	1	-	22/8
A27/JS		NUT, 3/8" BSF slotted	1	-	22/15
SP90/C7		PIN, split	1	-	22/13
EA1.20.743		WASHER, special	2	L64	22/20
EEAS5		WASHER, fibre	1	BSS216	22/10
EEAS28/37/EU		WASHER, special	1	S515	22/19
R EA1.20.11083		BRACKET, LEVER, ASSEMBLY (Mod.5105)	1	-	22/4
		Spares for:-			
R EA3.20.5181		BRACKET, lever (Mod.5105)	1	-	22/34
R EA3.20.5187		BUSH (Mod.5105)	2	S82	22/11
EA1.20.735		LEVER, BELL CRANK, FLAP OPERATION, GROUP	1	-	22/6
		Consisting of:-			
EA1.25.65		BOLT, special	1	S96	22/16
EA1.20.739		BUSH	1	DTD265	22/9
EA1.20.741		BUSH	1	DTD265	22/5
EA1.20.745		BUSH	1	DTD265	22/12
EA1.20.737		LEVER, bellcrank	1	L40	22/7
SP21		NIPPLE	1	-	22/8
A27/JS		NUT, 3/8" BSF slotted	1	-	22/15
SP90/C7		PIN, split	1	-	22/13
EA1.20.743		WASHER, special	2	L64	22/20
EEAS5		WASHER, fibre	1	BSS216	22/10
EEAS28/37/EU		WASHER, special	1	S515	22/19
R EA3.20.4229		BRACKET, aileron inboard hinge (Alt. R60/23)	1	L92	22/14
EEAS27/9A		NIPPLE, 4BA	16	S96	20/1
EEAS37/15A		NIPPLE, 4BA	40	S96	20/3

MAIN PLANE
WING STRUCTURE, STARBOARD

Part Number	Description	No. Off	Matl. Spec.	Plate No.
EA1.20.3147	. . . NUT, special, drag channel and cross-head	42	L40	20/31
EA1.20.3161	. . . PIECE, packing	6	-	19/22
EA3.20.2073	. . . PIN, aileron hinge, outboard	1	S65	19/32
EA3.20.2077	. . . PIN, aileron hinge, inboard	1	S65	19/31
EA1.20.58	. . . RIB, No.4, AFT, OUTER WING, ASSEMBLY	1	-	19/16
	Spares for:			
EA1.20.687	. . . BOLT, aileron stop	2	S11	19/30
EA1.20.689	. . . MOUNTING, aileron stop bolt	1	L40	19/26
EA1.20.691	. . . MOUNTING, aileron stop bolt	1	L40	19/24
EA1.20.62	. . . RIB 6, assembly (rear) o/w	1	-	
	Spares for:			
EA3.20.309	. . . BRACKET, aileron centre hinge attachment (Pre Mod.304) (Pre Mod.5338)	1	DTD683	
EA3.20.1883	. . . BRACKET, aileron centre hinge attachment (Mod.304) (Pre Mod.5338)	1	DTD683	
EA3.20.5323	. . . BRACKET, aileron centre hinge attachment (Mod.5338)	1	S97	
EEAS1/3C	. . . SCREW, 2BA 120° c'sk head	4	S96	21/5
EEAS1/3E	. . . SCREW, 1/4" BSF 120° c'sk head	22	S96	21/4
EEAS1/5E	. . . SCREW, 1/4" BSF 120° c'sk head	2	S96	19/28
EEAS1/6E	. . . SCREW, 1/4" BSF 120° c'sk head	4	S96	19/21
R EA3.20.4197	. . . SHROUD, OUTBOARD FLAP, ASSEMBLY (Mod.5050) (Pre Mod.5348)	1	-	21/19
EA3.00.5721	. . . SHROUD, OUTBOARD FLAP, ASSEMBLY (Spares for EA3.20.4197) (Mod.5348)	1	-	
	Spares for:			
EA3.20.2544	. . . PANEL, access Attaching parts for EA3.20.2544:	2	L72	21/2
EEAS1/1C	. . . Screw, 2BA 120° c'sk head	20	S96	21/3
R EA3.20.4206	. . . RIB, No.4, outer wing, assembly (Mod.5050)	1	-	21/8
EA3.20.1977	. . . STOP, flap, assembly	11	-	21/6
EA3.20.945	. . . SHROUD, hinged aileron, outboard (Supplied with trim allowance and pilot holes) (Pre Mod.5348)	1	-	19/17
EA3.00.5727	. . . SHROUD, aileron, outboard (Spares for EA3.20.945) (Mod.5348)	1	-	
EA3.20.946	. . . SHROUD, hinged aileron, outboard (Supplied with trim allowance and pilot holes) (Pre Mod.5348)	1	-	19/18
EA3.00.5728	. . . SHROUD, aileron, outboard (Spares for EA3.20.946) (Mod.5348)	1	-	
EA3.20.947	. . . SHROUD, hinged aileron, inboard (Supplied with trim allowance and pilot holes) (Pre Mod.5348)	1	-	19/19
EA3.00.5725	. . . SHROUD, aileron, inboard (Spares for EA3.20.947) (Mod.5348)	1	-	
EA3.20.948	. . . SHROUD, hinged aileron, inboard (Supplied with trim allowance and pilot holes) (Pre Mod.5348)	1	-	19/20
EA3.00.5726	. . . SHROUD, aileron, inboard (Spares for EA3.20.948) (Mod.5348)	1	-	
EA1.20.2089	. . . SLEEVE, joint, air brake torque tube	2	L40	20/13
EEAS38/2A	. . . SPOKE, 4BA (Make from 28R/6124)	28	S94	20/2

MAIN PLANE
WING STRUCTURE, STARBOARD

Part Number	Description	No. Off	Matl. Spec.	Plate No.
-	STRUCTURE, ALTERATIONS TO TRAILING EDGE RIB 8 AND ADJUSTMENT TO WING TIP ATTACHMENT (EK5.20.602)	-	-	
	Spares for:			
EEAS1/2C	BOLT, 120° c'sk head	12	-	24/1
AS1248/4C	BOLT, 2BA mushroom head	4	-	24/2
EK5.20.604	BOOM, insertion, lower	1	-	24/4
EK5.20.606	BOOM, insertion, upper	1	-	24/6
AGS2008/C/1	NUT, anchor, 2BA	2	-	24/7
EEAS747/C	NUT, anchor, 2BA	2	-	24/8
A27/CP	NUT, plain, 2BA	4	-	24/9
A27/CT	NUT, thin, 2BA	12	-	24/10
EK5.20.611	PACKING	2	-	24/11
AGS2042/611	PIN, sealing	10	-	24/12
EK5.20.613	SHIM, laminated	1	-	24/13
EK5.20.607	STRAP, butt	2	-	24/14
EK5.20.609	STRAP, butt	2	-	24/15
SP13/C	WASHER, thick, 2BA	4	-	24/16
SP15/C	WASHER, thick, 2BA	12	-	24/17
EA1.20.2201	TUBE, assembly, inboard air brake	1	-	20/11
EA1.20.2205	TUBE, assembly, outboard air brake	1	-	20/21
EA1.20.2203	TUBE, assembly, centre air brake	1	-	20/19
EA3.20.2239	WASHER, special	6	Lam. Alum.	19/25
EA3.20.2365	WASHER, special	1	L40	19/27
EA1.20.3145	WASHER, special	67	-	19/23

MAIN PLANE
WING STRUCTURE, STARBOARD

Part Number	Description 1 2 3 4 5 6	No. Off	Mati. Spec.	Plate No.

MAIN PLANE
WING STRUCTURE, STARBOARD

Part Number	Description	No. Off	Mati. Spec.	Plate No.
-	. RETRO EMBODIMENT REPAIR (Mod.4960) (EA3.20.4042) Spares for:	-	-	
-	. . RETRO EMBOD. REPAIR, UPPER O/B, T/E ENGINE RIB No.1 (EA3.20.4034) Spares for:	-	-	
EA3.20.4063	. . . BOLT, special	5	-	
EA3.03.65	. . . BOLT, special (oversize)	2	-	
EC2.20.1307	. . . CLEAT, upper (Mod.5112)	1	-	
EA3.20.1809	. . . NUT, special	1	-	
EA3.20.1811	. . . NUT, special	1	-	
A27/LT	. . . NUT, 7/16" BSF thin	5	-	
EA3.20.4049	. . . PACKING	1	-	
EA3.20.4173	. . . PLATE, joint	1	-	
EA3.20.4175	. . . PLATE, reinforcing Attaching parts for EA3.20.4173 and EA3.20.4175:	1	-	
A25/6C	. . . Bolt, hex. head, 2BA	16	-	
A27/CT	. . . Nut, 2BA	16	-	
SP124/C	. . . Washer, 2BA	16	-	
SP90/G10	. . . PIN, split	1	-	
SP16/R	. . . WASHER	2	-	
EA3.20.4065	. . . WASHER, special	5	-	
SP125/L	. . . WASHER, thick, 7/16" BSF	5	-	
-	. . RETRO EMBODIMENT REPAIR, LOWER O/B,, T/E ENGINE RIB No.1 (EA3.20.4036) (STARBOARD) Spares for:	-	-	
EA3.20.4063	. . . BOLT, special	5	-	
EA3.03.65	. . . BOLT, special (oversize)	2	-	
EA3.20.4026	. . . CLEAT	1	-	
EA3.20.1809	. . . NUT, special	1	-	
EA3.20.1811	. . . NUT, special	1	-	
A27/LT	. . . NUT, 7/16" BSF	5	-	
EA3.20.4049	. . . PACKING	1	-	
EA3.20.4173	. . . PLATE, joint	1	-	
EA3.20.4177	. . . PLATE, reinforcing, insert Attaching parts for plates:	1	-	
A25/6C	. . . Bolt, hex. head, 2BA	16	-	
A27/CT	. . . Nut, 2BA	16	-	
SP124/C	. . . Washer	16	-	
SP90/G10	. . . PIN, split	1	-	
SP16/R	. . . WASHER	2	-	
EA3.20.4065	. . . WASHER, special	5	-	
SP125/L	. . . WASHER, thick, 7/16" BSF	5	-	

R

MAIN PLANE

WING STRUCTURE, STARBOARD

Part Number	Description	No. Off	Matl. Spec.	Plate No.
-	RETRO EMBODIMENT REPAIR TO I/WING, T/EDGE ENGINE RIB, No. 7 (E.A3.20.4038) (Mod. 4960) Spares for:-	-	-	
E.A3.20.4063	BOLT, special	10	-	
E.A3.03.66	BOLT, special	2	-	
E.A3.03.64	BOLT, special	2	-	
AS1242/45L	BOLT, 7/16" BSF	2	-	
E.A3.20.4075	BUTTSTRAP, lower	1	-	
E.A3.20.4077	BUTTSTRAP, upper	1	-	
E.A3.20.4027	CLEAT, lower	1	-	
E.A3.20.4322	CLEAT, upper (Mod. 5112)	1	-	
E.A3.20.4069	INSERT, web	1	-	
A27/LT	NUT, 7/16" BSF thin	12	-	
A27/QP	NUT, 5/8" BSF plain	2	-	
A27/SP	NUT, 3/4" BSF plain	2	-	
E.A3.20.4049	PACKING	1	-	
E.A3.20.4073	PLATE, reinforcing, upper	1	-	
E.A3.20.4071	PLATE, reinforcing, lower	1	-	
	Attaching parts for Plates and Buttstraps:-			
A25/6C	Bolt, 2 BA hex. head	32	-	
A25/4C	Bolt, 2 BA hex. head	4	-	
A27/CT	Nut, 2 BA thin	36	-	
SP13/C	Washer, thin	32	-	
SP15/C	Washer, thin	4	-	
E.A1.20.2295	WASHER, special	2	-	
E.A1.20.2327	WASHER, special	2	-	
E.A3.20.4095	WASHER, special	10	-	
SP16/S	WASHER, 3/4" BSF thin	2	A. Alloy	
SP125/L	WASHER, 7/16" BSF	12	-	

MAINPLANE
WING STRUCTURE, STARBOARD

Part Number	Description	No. Off	Matl. Spec.	Plate No.
-	RETRO EMBODIMENT REPAIR TO I/WING T/EDGE RIB 6 STARBOARD (EA3.20.4040) (Mod 4960) Spares for:-	-	-	
EA3.03.73	BOLT, special	2	-	
EA3.03.72	BOLT, special	2	-	
EA3.20.4091	BOLT, special	10	-	
A60/3G	BOLT, 5/16" BSF shear	14	-	
A25/2G	BOLT, 5/16" BSF hex head	1	-	
EA3.20.4331	CLEAT, upper (Mod 5112)	2	-	
A27QP	NUT, 5/8" BSF plain	4	-	
A27GP	NUT, 5/16" BSF plain	1	-	
A27GT	NUT, 5/16" BSF thin	24	-	
EA3.20.4089	PACKING	2	-	
EA1.20.10477	PLATE, doubling	2	-	
EA3.20.4085	PLATE, joint	2	-	
EA3.20.4087	STRAP, reinforcing	2	-	
EA3.20.4093	WASHER, special	10	-	
SP124G	WASHER, 5/16"	14	-	
SP125G	WASHER, 5/16" thick	1	-	
SP122Q	WASHER, 5/8"	4	-	
SP122G	WASHER, 5/16"	10	-	
-	RETRO EMBODIMENT REPAIR TO O/WING L/EDGE ENGINE RIB 1 (EA3.20.4032) (Mod 4960) Spares for:-	-	-	
EA3.20.4053	BOLT, special	9	-	
EA3.03.65	BOLT, special	4	-	
EA3.20.4043	BUTTSTRAP, outboard	2	-	
EA3.20.4045	BUTTSTRAP, lower I/B	1	-	
EA3.20.4051	BUTTSTRAP, upper I/B	1	-	
EA3.20.4023	CLEAT, upper	1	-	
EA3.20.4022	CLEAT, lower	1	-	
EA3.20.228	EYEBOLT	1	-	
EA3.20.4057	INSERT, firewall	1	-	
EA3.20.4058	INSERT, firewall	1	-	
EA3.20.1809	NUT, special	2	-	
EA3.20.1811	NUT, special	2	-	
EA3.20.4047	PACKING	1	-	
EA3.20.4049	PACKING	2	-	
EA3.20.159	PLATE, gusset upper	1	-	
EA3.20.161	PLATE, gusset lower	1	-	
EA3.20.4055	WASHER, special	9	-	
	Attaching parts for Cleats:-			
A27LT	Nut, thin 7/16" BSF	9	-	
A27NS	Nut, slotted 1/2" BSF	1	-	
SP90E10	Pin, split 3/32"	1	-	
SP90G12	Pin, 1/8"	2	-	
SP125S	Washer, 3/4"	4	-	
SP125L	Washer, 7/16"	9	-	
	Attaching parts for Buttstraps and Packings:-			
A25/5C	Bolt, 2 BA hex head	2	-	
A25/6C	Bolt, 2 BA hex head	4	-	
AGS2001C1	Stiffnut, 2 BA	10	-	
SP15C	Washer, 2 BA	10	-	
EA3.20.5218	CLEAT, upper (Mod 5112)	1	-	

A.P.101B-0417-3A

MAIN PLANE

Page JM1

WING TIP, PORT

Part Number	Description	No. Off	Mtl. Spec.	Plate No.
EG7.00.311	WING, TIP, PORT, ASSEMBLY (Mod.5119) Spares for:—	1	—	23/8
EA3.81.5567	. ELECTRICAL EQUIPMENT IN WING TIP (See page EF1)	—	—	23/23
EA1.57.257	. PIPES, FUEL AND AIR DELIVERY (See page NW1)	—	—	23/6
—	. STATIC DISCHARGERS, INSTALLATION (EB7.82.5661) Spares for:—	1	—	23/29
CHELTON 2-11	. . DISCHARGER, static, straight	1	—	23/31
CHELTON 2-12	. . DISCHARGER, static, angled	2	—	23/32
EB7.82.5671	. . MOUNTING (Make from Chelton Type 2-23, Ref. 10AD/1071416)	1	—	23/33
CHELTON 2-23	. . MOUNTING	2	—	23/34
EA3.20.5021	. STRUCTURE, WING TIP, ASSEMBLY Spares for:—	1	—	23/10
EA3.20.2443	. . PLATE, blanking, explosive bolt hole Attaching parts for EA3.20.2443:—	1	L40	23/25
EA1.20.2471	. . Plate, locking	1	L72	23/26
A33/C24	. . Screw, 2BA c'sk head	1	—	23/27
EEAS.1/1C	. . SCREW, 2BA 120° c'sk head	10	S96	23/28
EA3.20.1023	. . WING, TIP, CENTRE, ASSEMBLY (Supplied to Drg. EA3.00.5168) Spares for:—	1	—	23/15
EA3.20.1061	. . . PANEL, access, explosive bolt	1	—	23/12
EA1.20.2395	. . . PANEL, top access	1	—	23/1
EA1.20.2399	. . . PANEL, fuel and air pipe access	1	—	23/17
EEAS.1/1C	. . . SCREW, 2BA 120° c'sk head	8	S96	23/3
EA3.00.5280	. . WING, TIP, FORWARD, ASSEMBLY (EA3.20.5023) Spares for:—	1	—	23/13
EA3.20.5025	. . . COVER, navigation light	1	DTD846	23/19
EA3.20.5035	. . . DOOR, access navigation light, assembly	1	—	23/21
EA3.20.5069	. . . PANEL, access (Mod.4152)	1	L72	23/35
EA3.20.5073	. . . PACKING (Mod.4152)	1	L72	23/37
EA3.20.5071	. . . STRIP, backing assembly (Mod.4152) Spares for:—	1	—	23/38
EA3.20.5077 STRIP, backing	1	—	23/40
EA1.20.1955	. . WING-TIP, rear, assembly (Supplied to Drg. EA3.00.5172 for spares purpose)	1	—	23/4

MAIN PLANE
WING TIP, PORT

Part Number	Description 1 2 3 4 5 6	No. Off	Matl. Spec.	Plate No.

WING TIP, STARBOARD

Part Number	Description	No. Off	Matl. Spec.	Plate No.
R EB7.00.5208	WING TIP, STARBOARD, ASSEMBLY (Mod.5119) Spares for:—	1	—	23/9
EA1.81.20	. ELECTRICAL EQUIPMENT IN WING TIP (See page EG1)	—	—	23/24
EA1.57.258	. PIPES, FUEL AND AIR DELIVERY (See page NX1)	—	—	23/7
—	. STATIC DISCHARGERS, INSTALLATION (EB7.82.5662) Spares for:—	1	—	23/30
CHELTON 2-11	. . DISCHARGE, static, straight	1	—	23/31
CHELTON 2-12	. . DISCHARGER, static, angled	2	—	23/32
EB7.82.5671	. . MOUNTING (Make from Chelton Type 2-23, Ref. 10AD/1071416)	1	—	23/33
CHELTON 2-23	. . MOUNTING	2	—	23/34
EA1.20.1954	. STRUCTURE, WING TIP, ASSEMBLY Spares for:—	1	—	23/11
EA3.20.2443	. . PLATE, blanking, explosive bolt holes Attaching parts for EA3.20.2443:—	1	L40	23/25
EA1.20.2471	. . Plate, locking	1	L72	23/26
A33/C24	. . Screw, 2BA c'sk head	1	—	23/27
EEAS.1/1C	. . SCREW, 2BA 120° c'sk head	10	S96	23/28
EA3.20.1024	. . WING TIP, CENTRE, ASSEMBLY (EA3.00.5169) Spares for:—	1	—	23/16
EA3.20.1061	. . . PANEL, access, explosive bolt	1	—	23/12
EA1.20.2396	. . . PANEL, top access	1	—	23/2
EA1.20.2400	. . . PANEL, fuel and air pipe access	1	—	23/18
EEAS.1/1C	. . . SCREW, 2BA 120° c'sk head	8	S96	23/3
EA1.20.2434	. . WING TIP, FORWARD, ASSEMBLY (EA3.00.5171) Spares for:—	1	—	23/14
EA1.20.9151	. . . COVER, navigation light	1	DTD846	23/20
EA3.20.3191	. . . DOOR, navigation light access	1	—	23/22
EA3.20.5070	. . . PANEL, access (Mod.4152)	1	L72	23/36
EA3.20.5073	. . . PACKING (Mod.4152)	1	L72	23/37
EA3.20.5072	. . . STRIP, backing assembly (Mod.4152)	1	—	23/39
EA3.20.5078	. . . STRIP, backing	1	L72	23/41
EA1.20.1956	. . WING TIP, rear, assembly (Supplied to Drg. EA3.00.5173 for spares purposes)	1	—	23/5

MAIN PLANE
WING TIP, STARBOARD

Part Number	Description 1 2 3 4 5 6	No. Off	Matl. Spec.	Plate No.

MAIN SPAR COOLING PORT AND STARBOARD

Part Number	Description	No. Off	Mati. Spec.	Plate No.
R -	MAIN SPAR COOLING, PORT INSTALLATION (EA3.20.3299)	-	-	27/15
R EB6.20.569	. BRACKET	1	DTD124	27/5
R EEAS143/26	. CLIP	4	L72	27/16
R or				
R AS4525/6				
R EB6.20.557	. GASKET	4	Silastic	27/19
R EB6.50.95	. INTAKE, air	1	L59	27/1
R EB6.20.553	. PIPE	1	S84	27/20
R EB6.20.555	. PIPE	1	T26	27/17
R EB6.20.561	. PIPE, assembly	1	-	27/10
R EB6.20.541	Spares for: . ADAPTOR	1	L40	27/2
R A25/19B	. Bolt, 4BA, hex. head	1	-	27/7
R A27/BT	. Nut, 4BA thin	1	-	27/3
R SP13/B	. Washer, 4BA plain	1	-	27/6
R EB6.20.547	. PIPE	1	S84	27/8
R EB6.20.543	. SPRING, compression	1	DTD215	27/4
R EA3.75.143	. SLEEVE, pipe connecting Attaching parts for EA3.75.143:	2	Silastic	27/12
R AGS805/1	or . Clip, hose	2	-	27/13
R 28E/8211233				
R -	MAIN SPAR COOLING, STARBOARD, INSTALLATION (EA3.20.3300)	-	-	27/14
R EB6.20.569	Spares for: . BRACKET	1	DTD124	27/5
R EEAS143/26	. CLIP	4	L72	27/16
R or				
R AS4525/6				
R EB6.20.557	. GASKET	4	Silastic	27/19
R EB6.50.95	. INTAKE, air	1	L59	27/1
R EB6.20.554	. PIPE	1	S84	27/21
R EB6.20.556	. PIPE	1	T26	27/18
R EB6.20.562	. PIPE, assembly	1	-	27/11
R EB6.20.541	Spares for: . ADAPTOR	1	L40	27/2
R A25/19B	. Bolt, 4BA, hex. head	1	-	27/7
R A27/BT	. Nut, 4BA thin	1	-	27/3
R SP13/B	. Washer, 4BA, plain	1	-	27/6
R EB6.20.548	. PIPE	1	S84	27/9
R EB6.20.543	. SPRING, compression	1	DTD215	27/4
R EA3.75.143	. SLEEVE, pipe connecting Attaching parts for EA3.75.143:	2	Silastic	27/12
R AGS805/1	or . Clip, hose	2	-	27/13
R 28E/8211233				

MISCELLANEOUS PANELS AND DETAILS

Part Number	Description	No. Off	Mati. Spec.	Plate No.
R -	PADS, DATUM, PORT WING, GREEN SATIN AERIAL JIG (EA3.20.5057) Spares for:	-	-	28/1
R EB7.20.259	. BRACKET, forward Attaching parts for EB7.20.259:	1	S3	28/2
R EB7.20.267	. Bolt, special	2	-	28/3
R SP13/C	. Washer, 2BA plain	2	-	28/4
R EB7.20.263	. BRACKET, aft Attaching parts for EB7.20.263:	1	S3	28/5
R EB7.20.269	. Bolt, special	2	-	28/6
R EB7.20.483	. Piece, distance	2	S1	28/7
R SP13/C	. Washer, 2BA plain	2	-	28/8
R -	PANELS, ACCESS, INNER WING, LOWER, ASSEMBLY (EA3.20.4103/4) (Mod.5015) Spares for:	-	-	
R EA3.20.4109	. PANEL, access Attaching parts for EA3.20.4109:	5	-	28/9
R EEAS1/1C	. Screw, 2BA	6	-	28/10
R -	PANELS, ACCESS, OUTER WING FORWARD OF SPAR, ASSEMBLY (EA3.20.4105/6) (Mod.5015) Spares for:	-	-	
R EA3.20.4109	. PANEL, access Attaching parts for EA3.20.4109:	7	-	28/11
R EEAS1/1C	. Screw, 2BA	6	-	28/12
R -	PANELS, ACCESS, OUTER WING, LOWER, AFT OF SPAR, ASSEMBLY (EA3.20.4107/8) (Mod.5015) Spares for:	-	-	
R EA3.20.4109	. PANEL, access Attaching parts for EA3.20.4109:	8	-	28/13
R EEAS1/1C	. Screw, 2BA	6	-	28/14
R EG7.84.1301	PLATE, blanking (For use when cartridges are not fitted to window dispenser containers)	6	L73	28/15
R A114/1E	Attaching parts for EG7.84.1301: Bolt, 1/4" UNF mushroom head	6	-	28/16

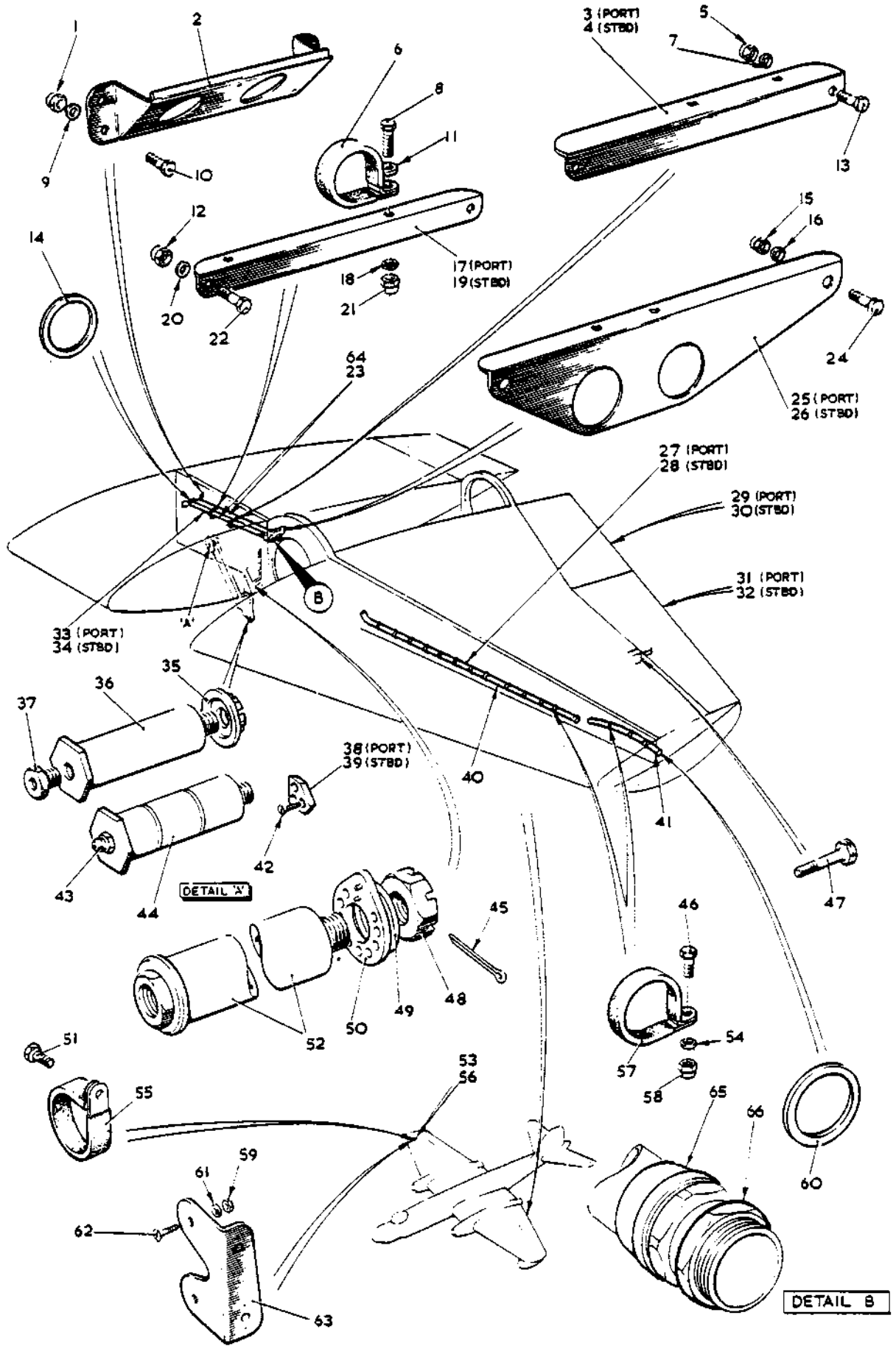


FIG.1 MAIN PLANE PORT & STARBOARD

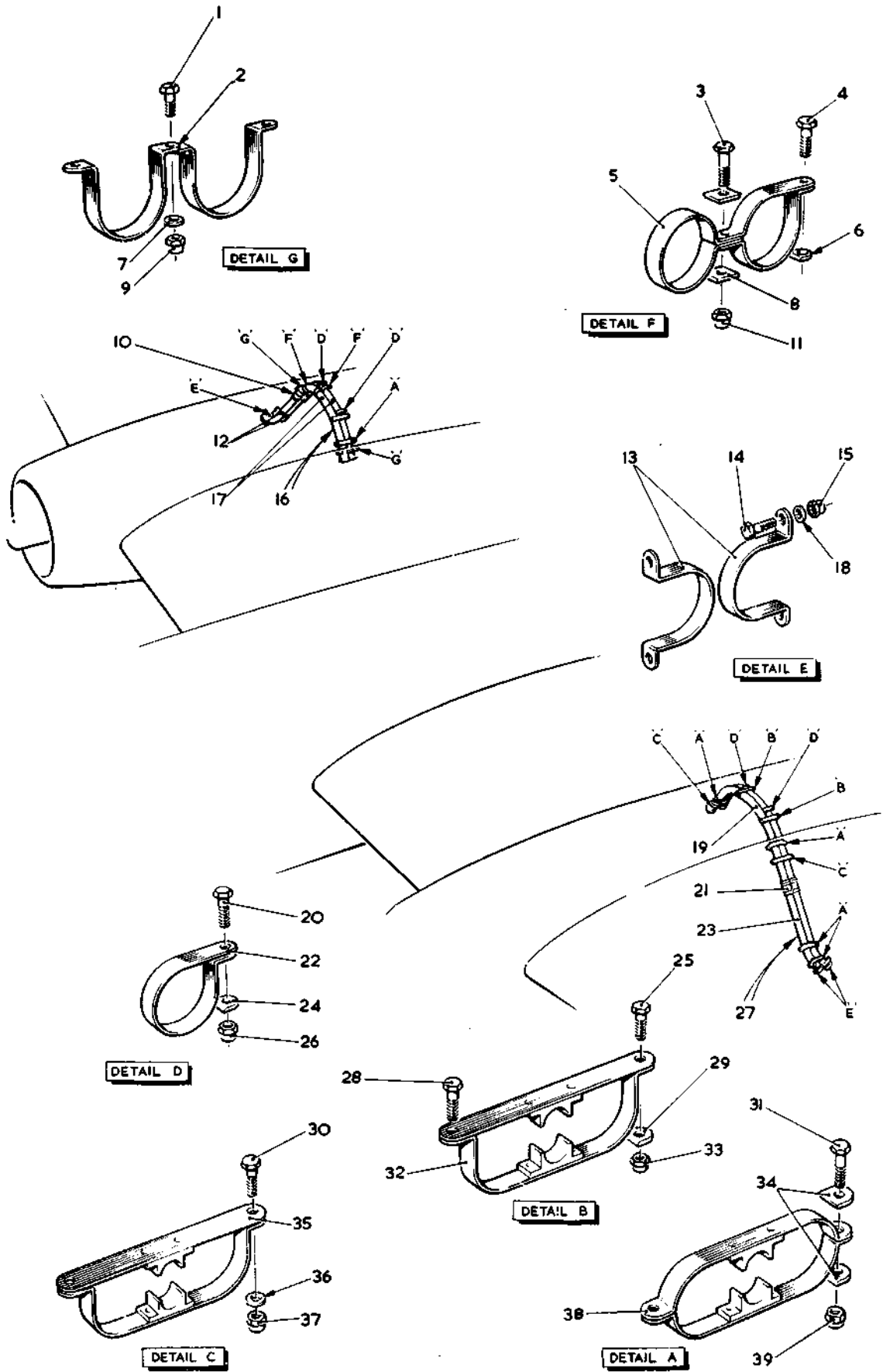


FIG. 2 MAIN PLANE PORT & STBD.
Restricted

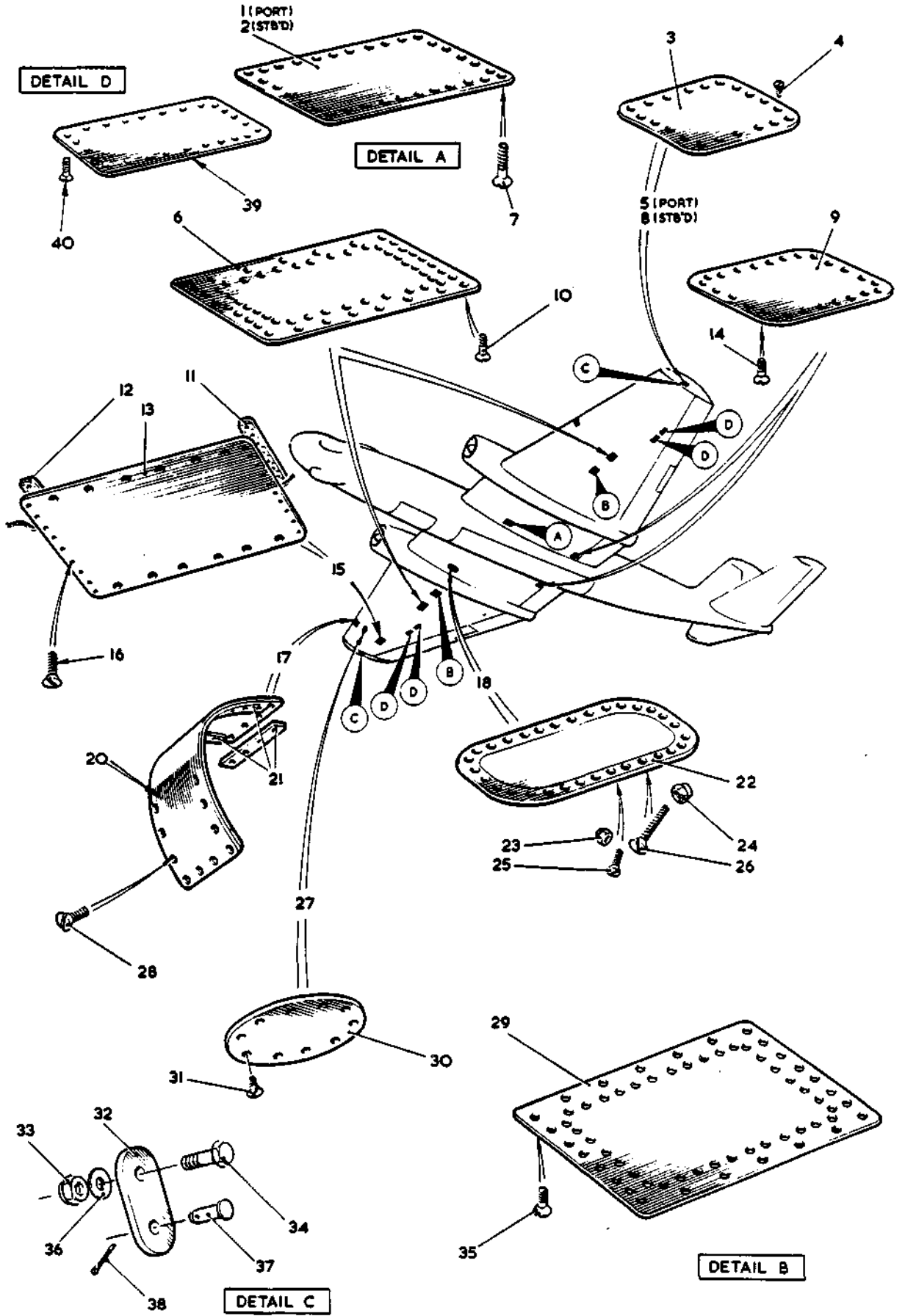


FIG.3 MAIN PLANE PORT & STB'D.

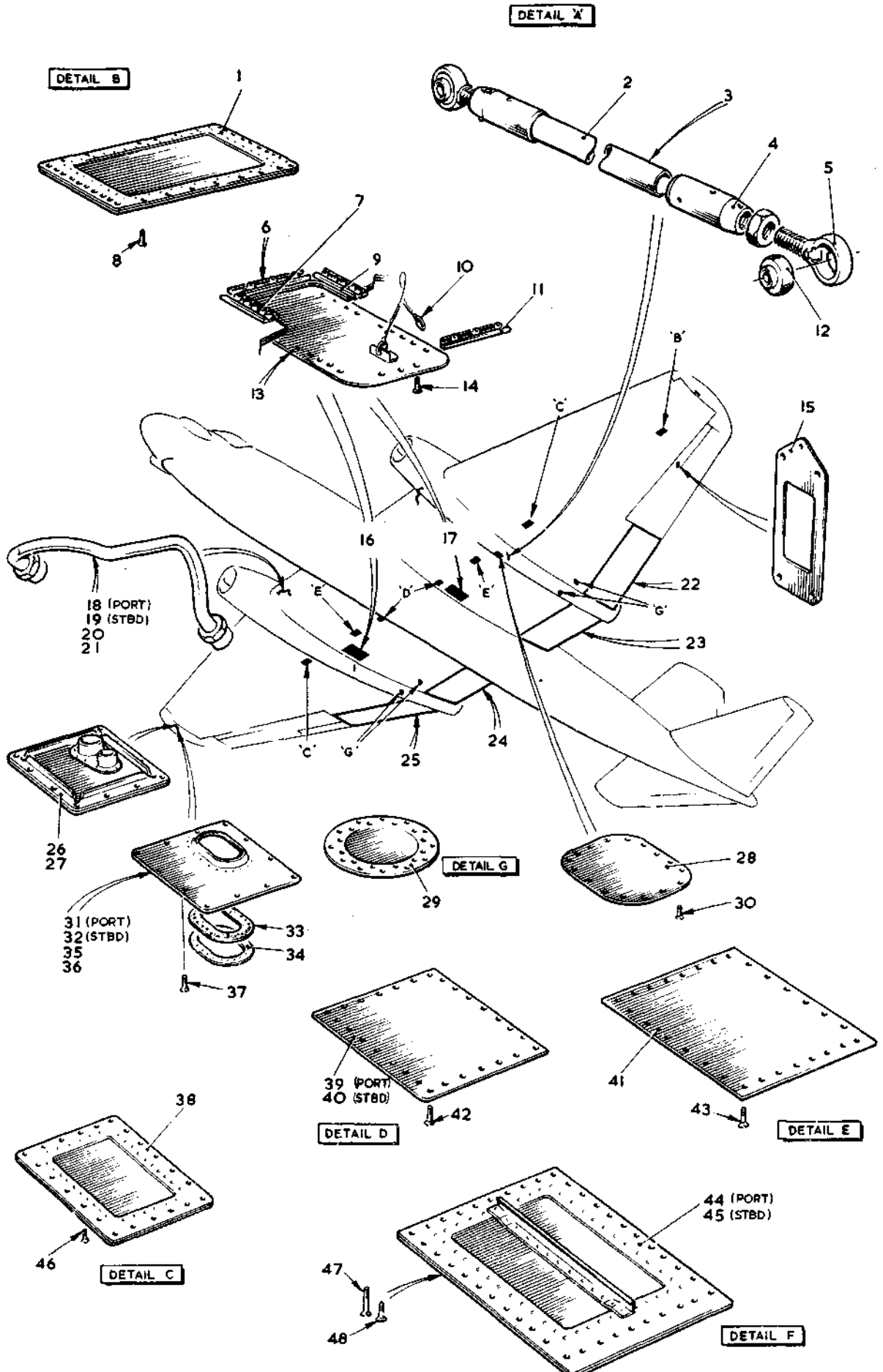


FIG. 4 MAIN PLANE PORT & STBD.
Restricted

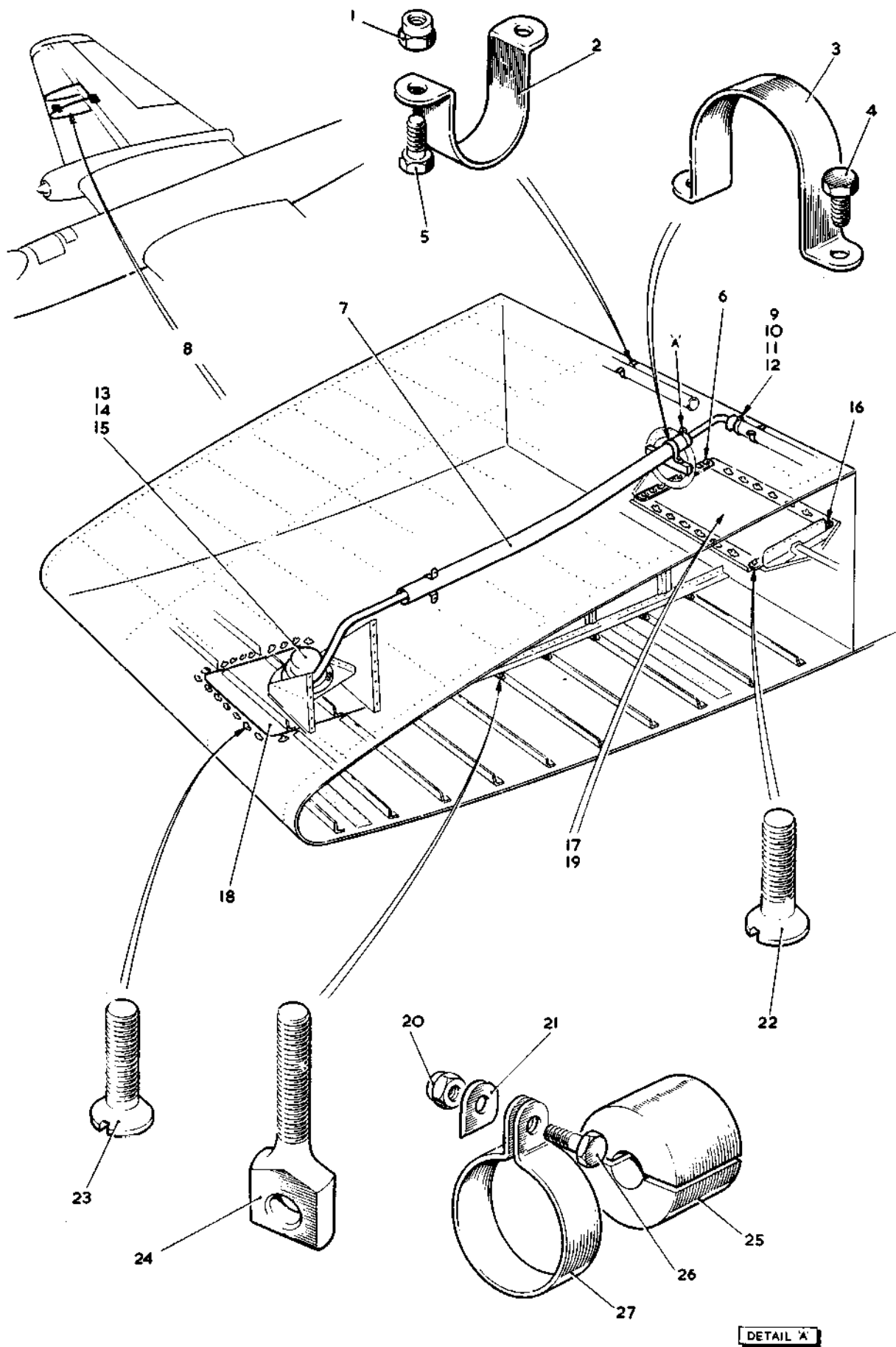


FIG.5 MAIN PLANE STBD.
Restricted

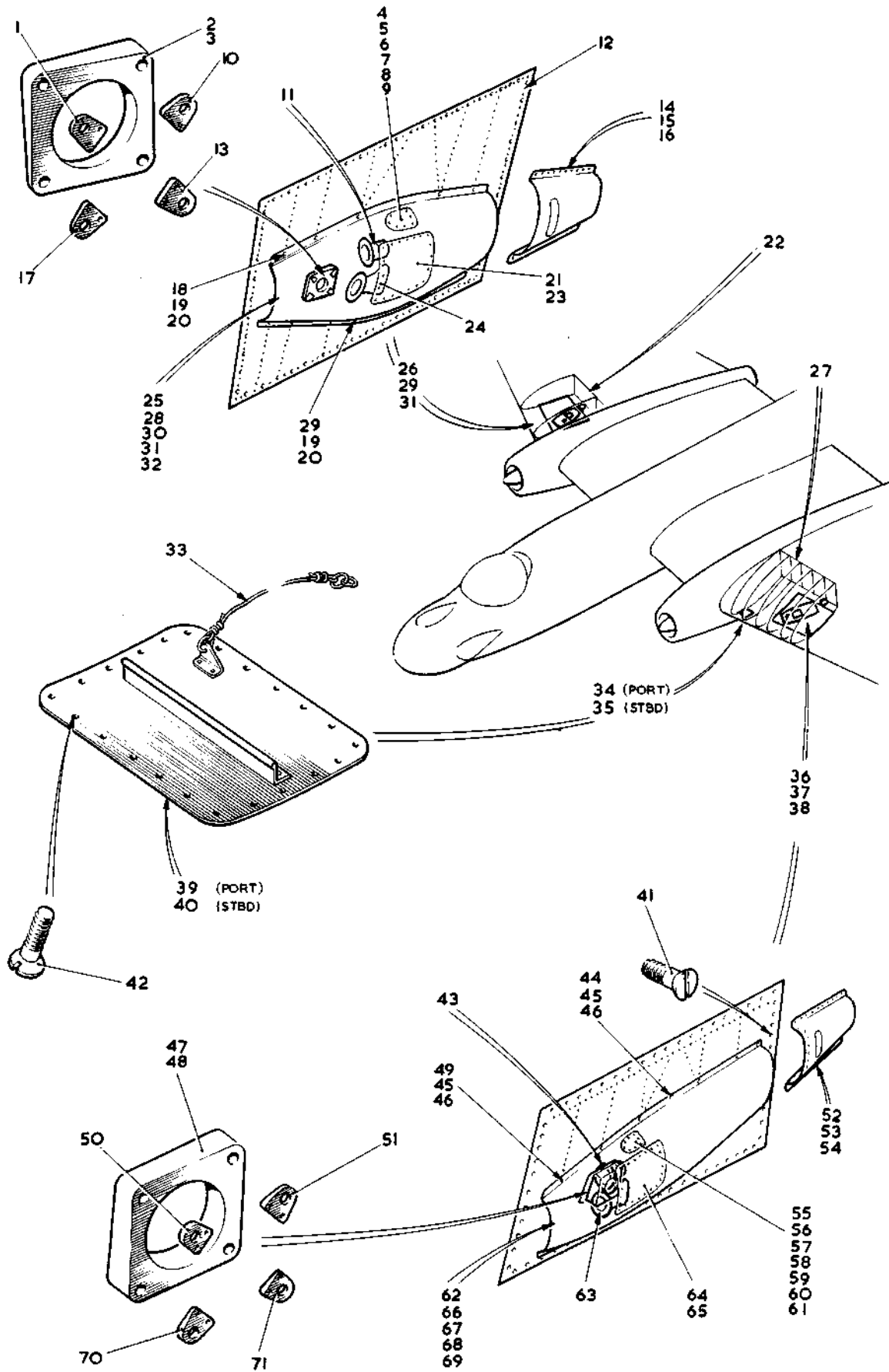


FIG 6 MAIN PLANE PORT & STBD
Restricted

Restricted

A.L. 8

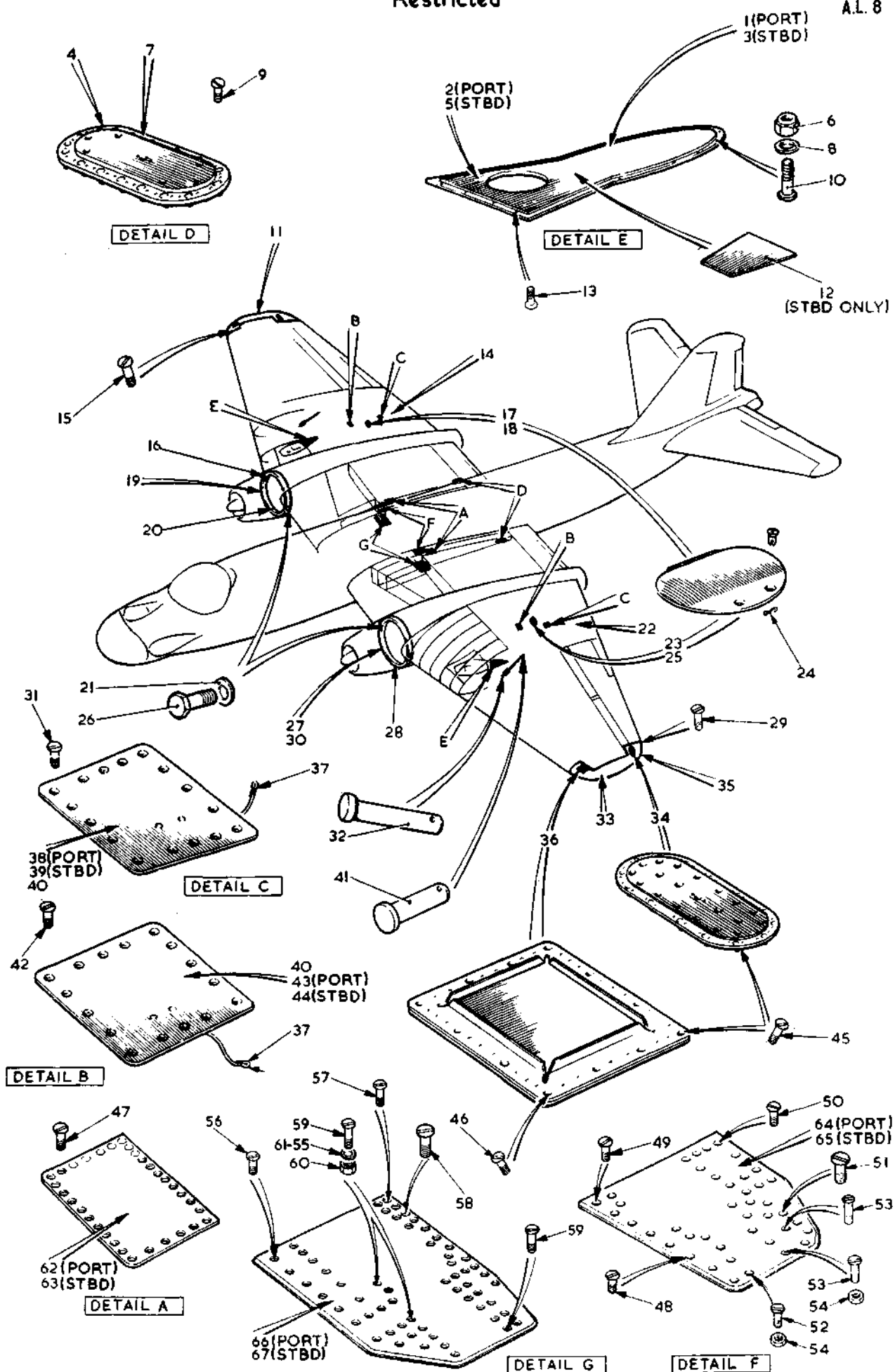


FIG. 7 MAIN PLANE PORT AND STARBOARD
Restricted

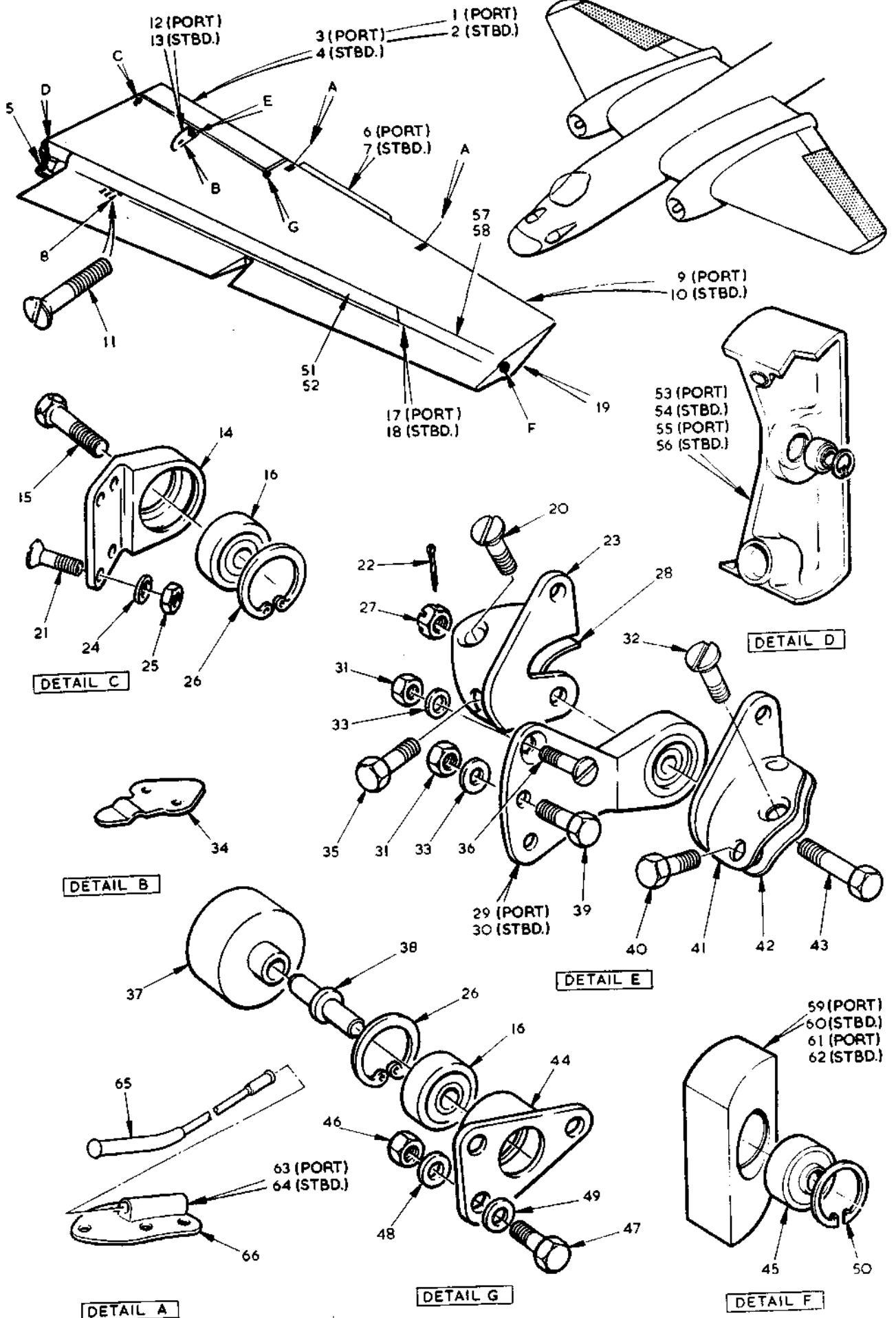


FIG. 8 AILERON PORT AND STARBOARD
Restricted

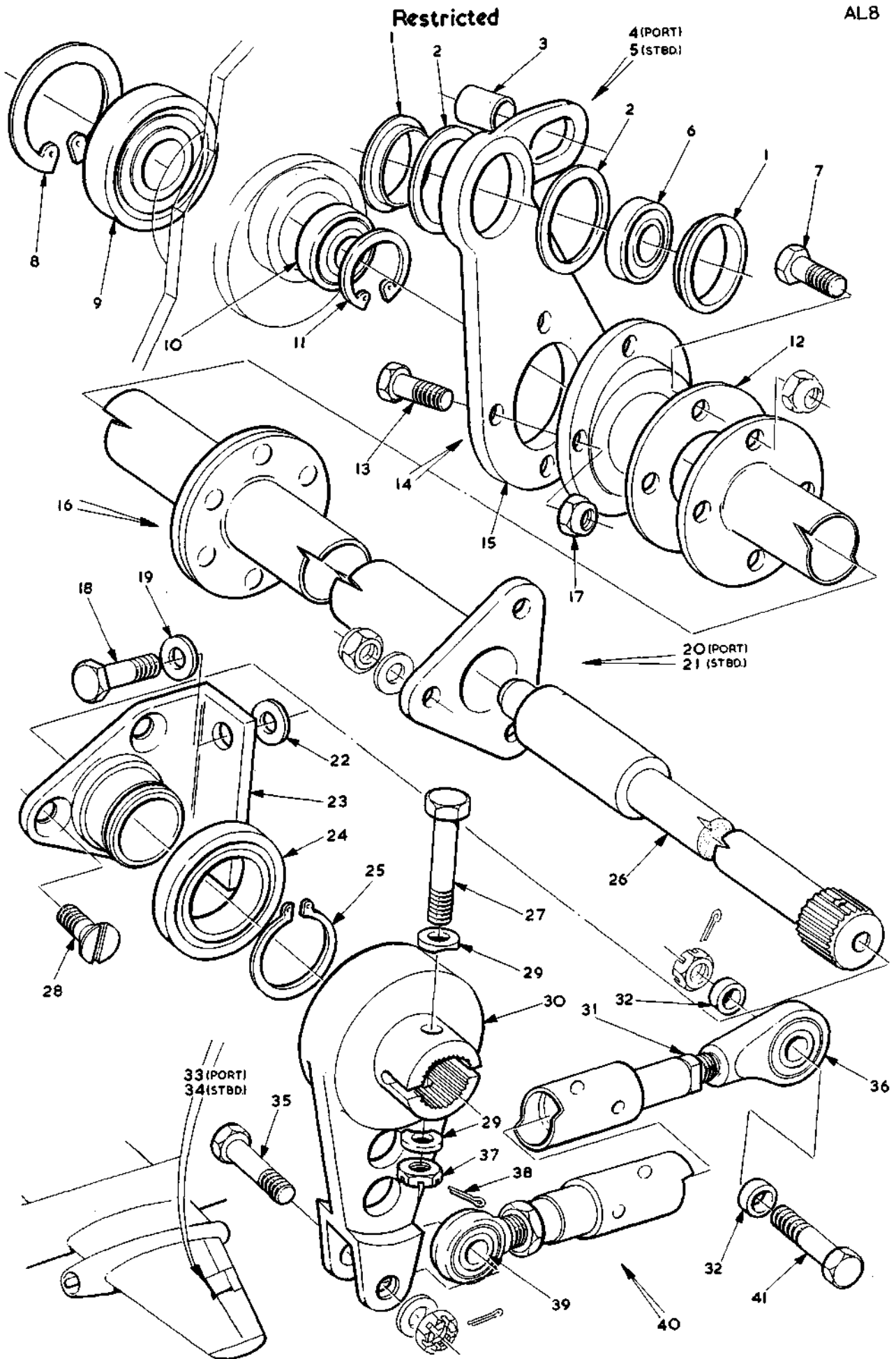


FIG 9. AILERON PORT AND STBD
Restricted

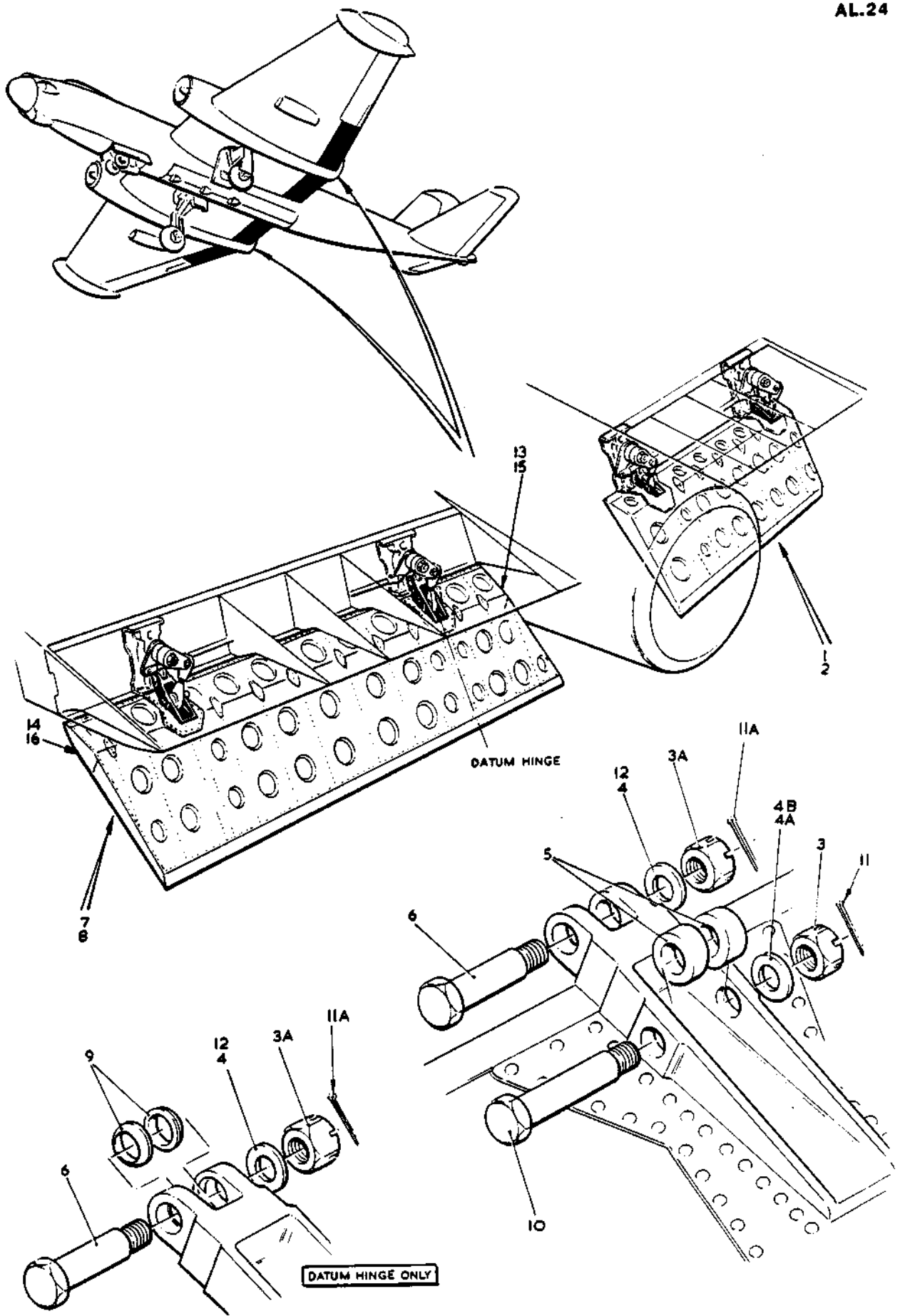


FIG 10 FLAPS PORT & STBD

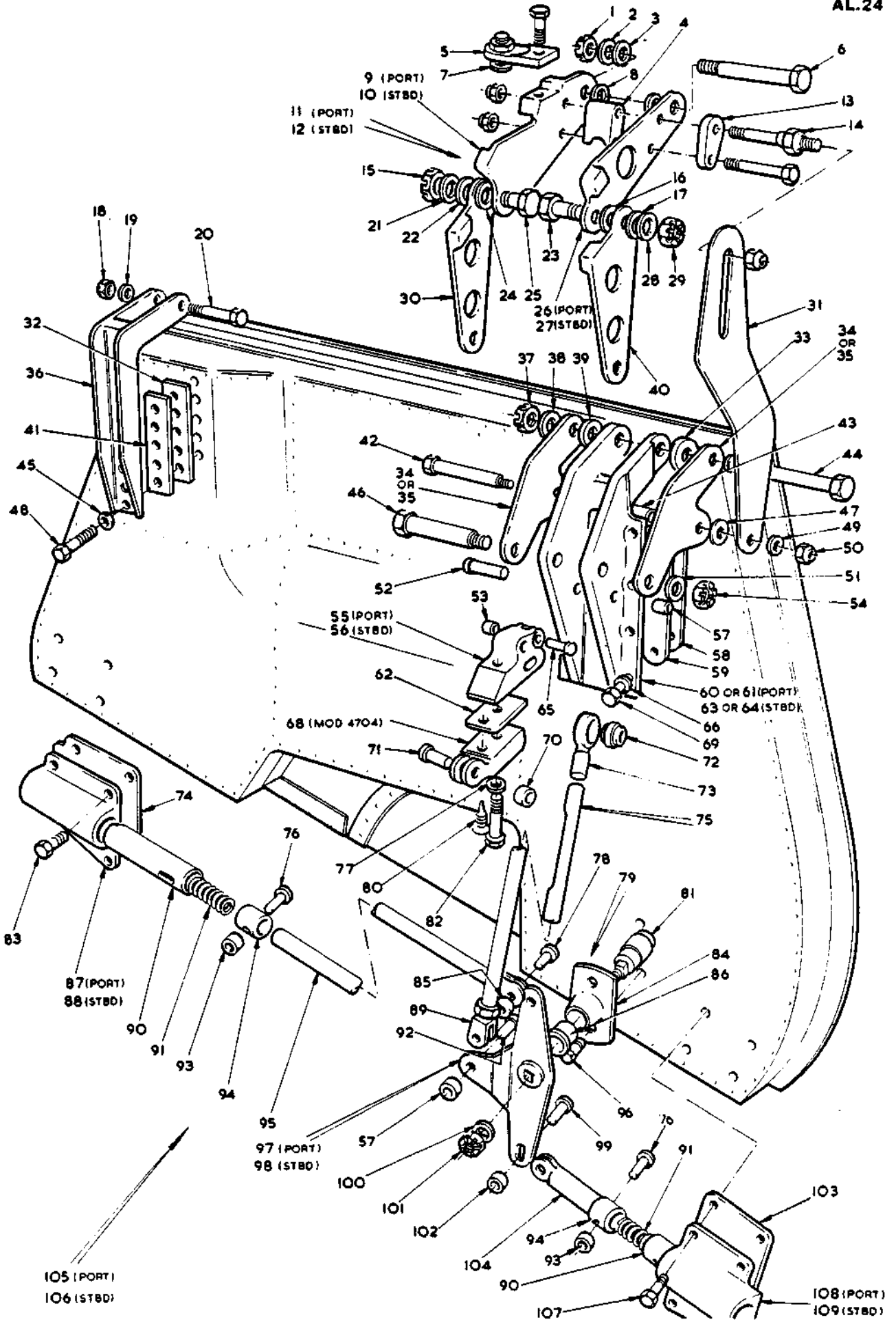


FIG.11 UNDERCARRIAGE DOOR COMPLETE WITH MECHANISM, PORT & STBD.

T. MK.17 SECT. J

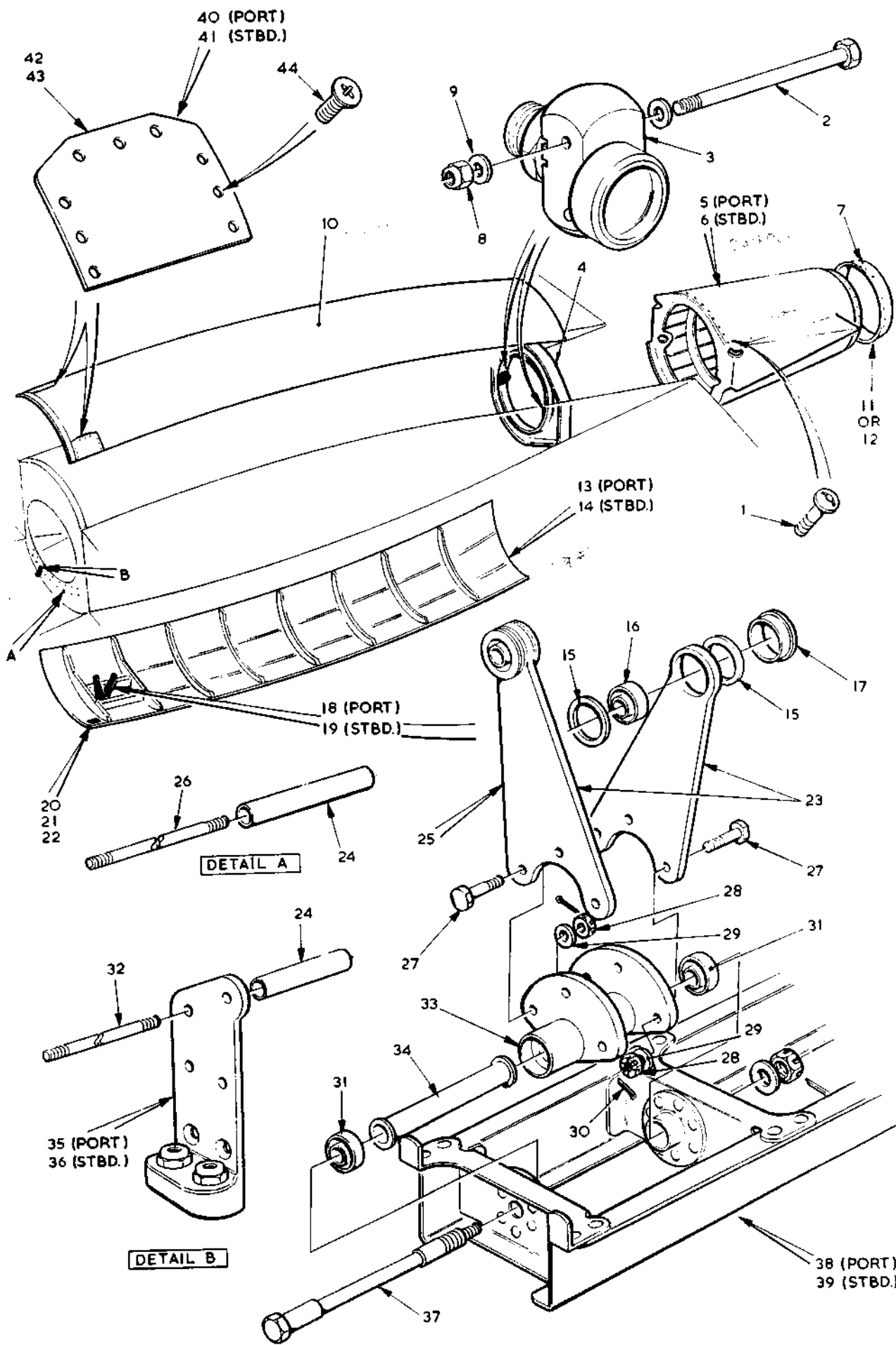


FIG. 12 WING STRUCTURE PORT AND STARBOARD
Restricted

T.MK.17. SFCT. J

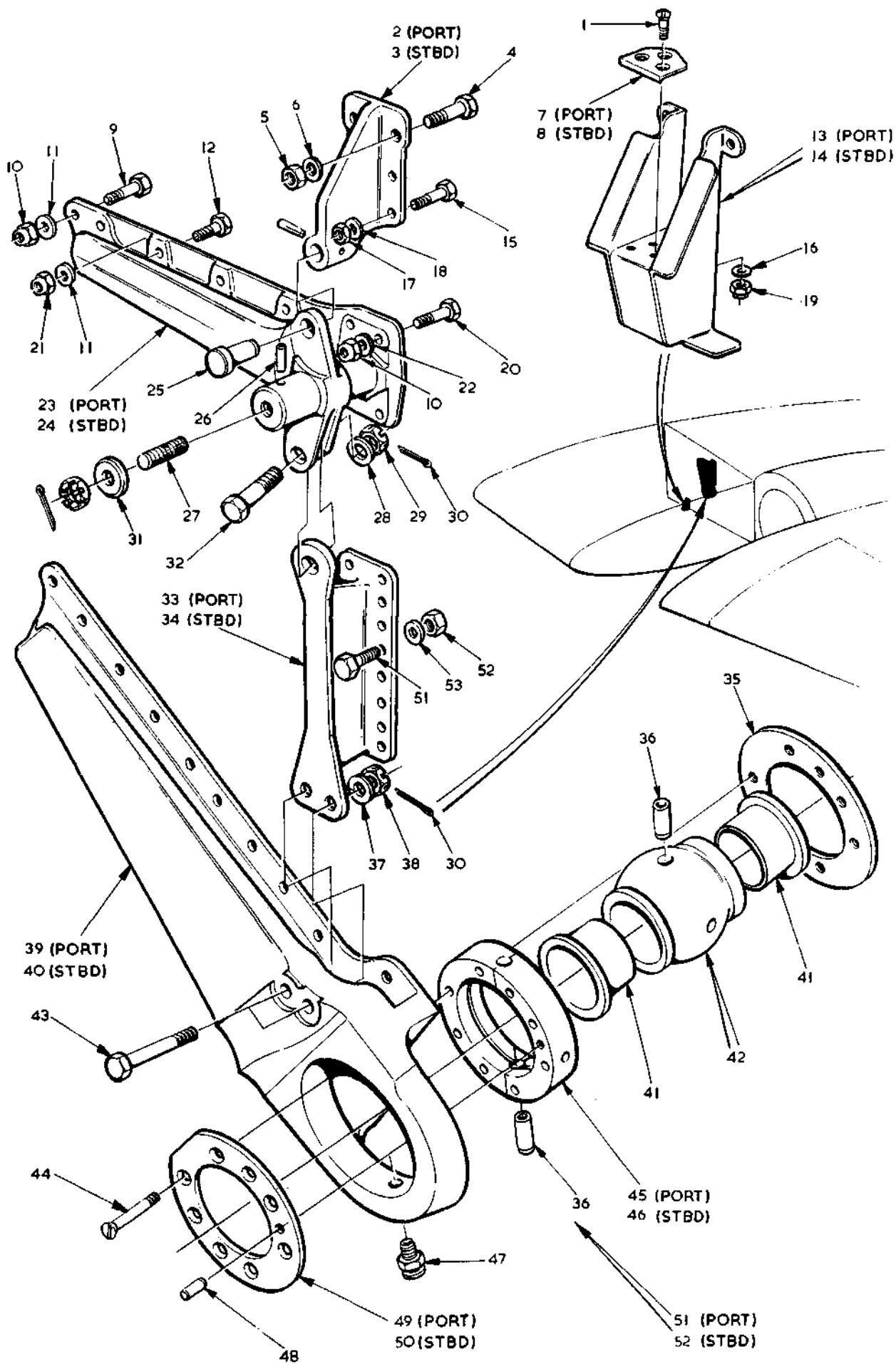


FIG. 13 WING STRUCTURE PORT AND STARBOARD
Restricted

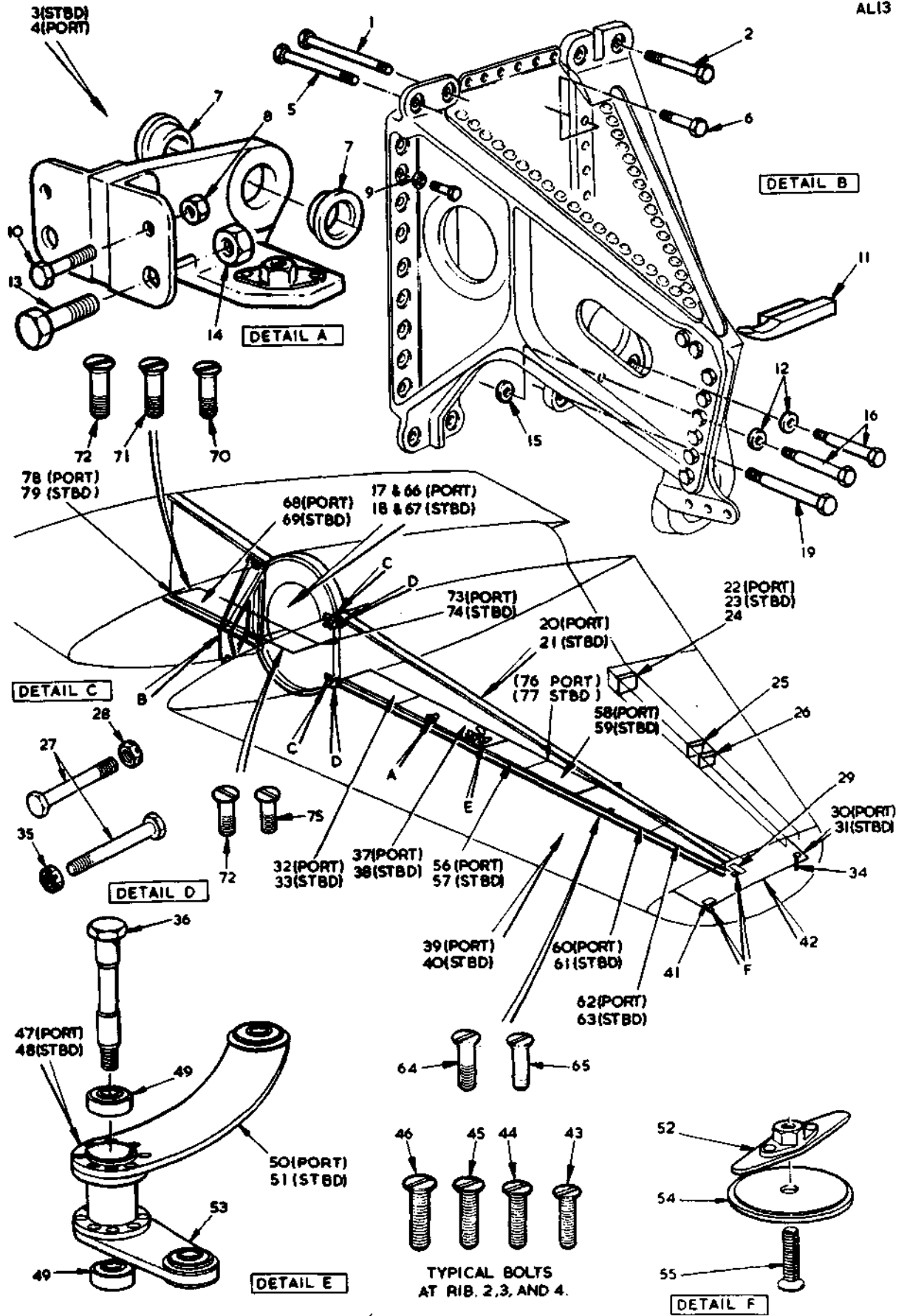


FIG. 14 WING STRUCTURE PORT AND STARBOARD

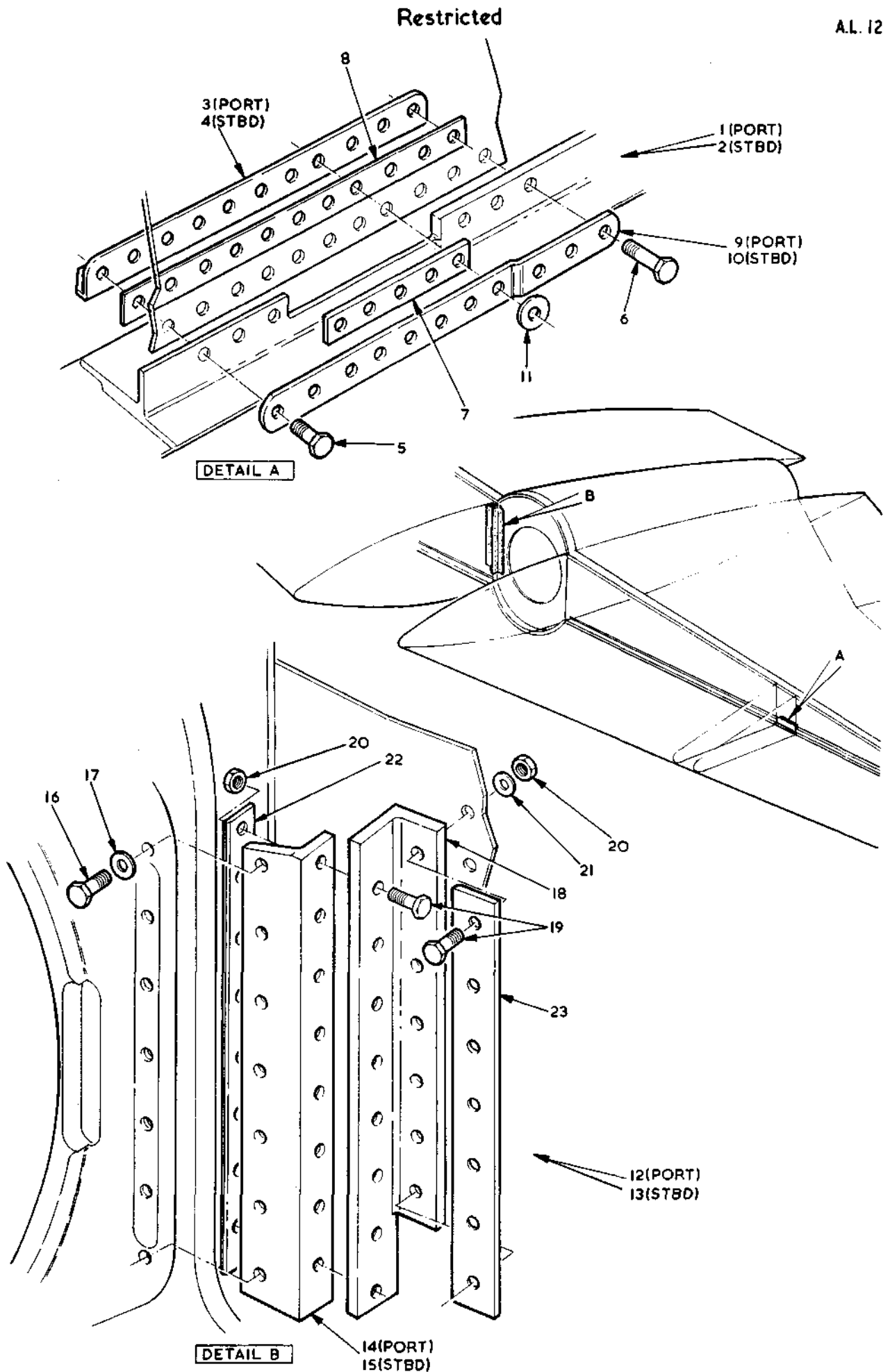


FIG. 14A WING STRUCTURE PORT AND STARBOARD
Restricted

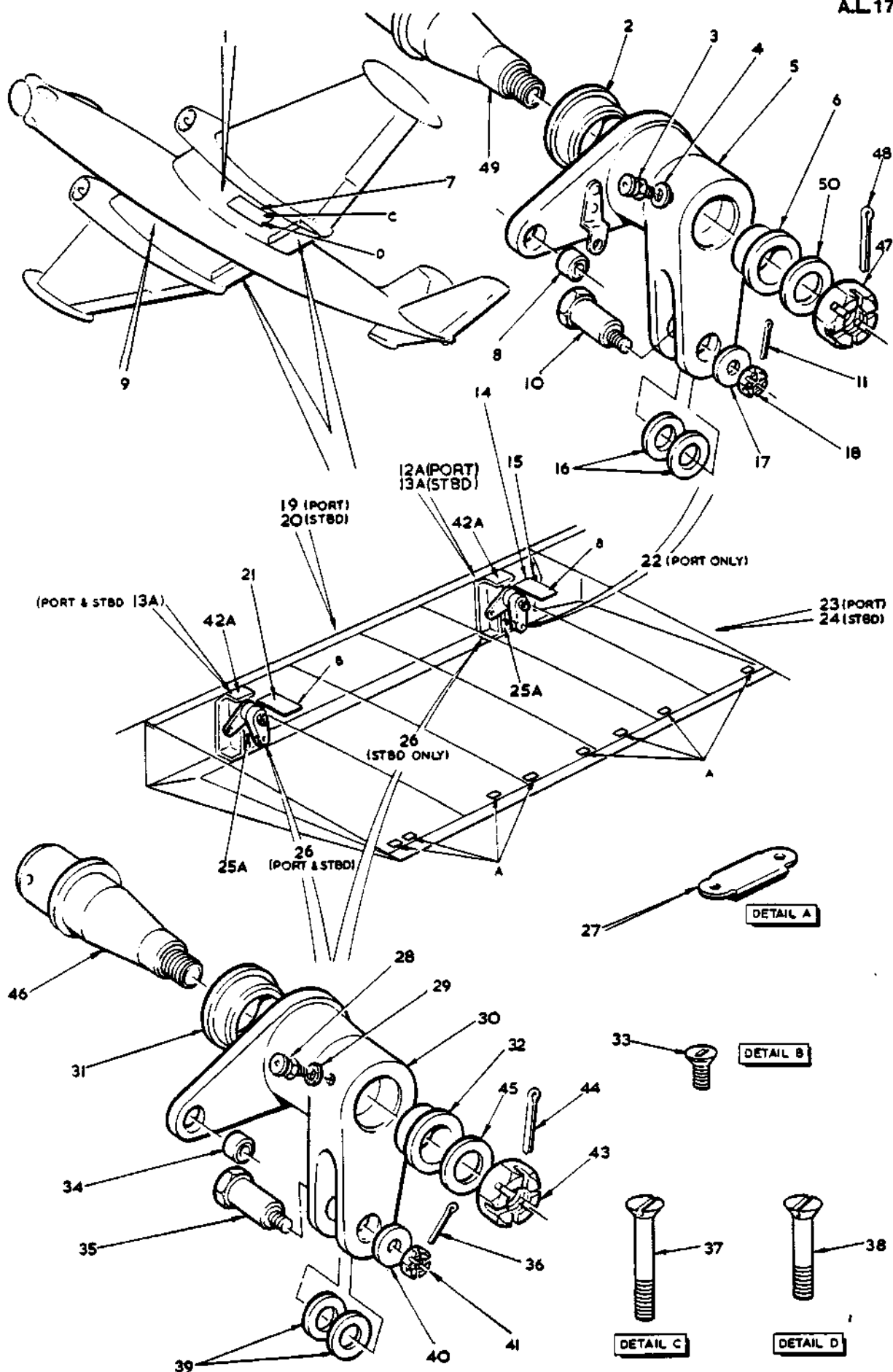


FIG 15 WING STRUCTURE PORT & STBD

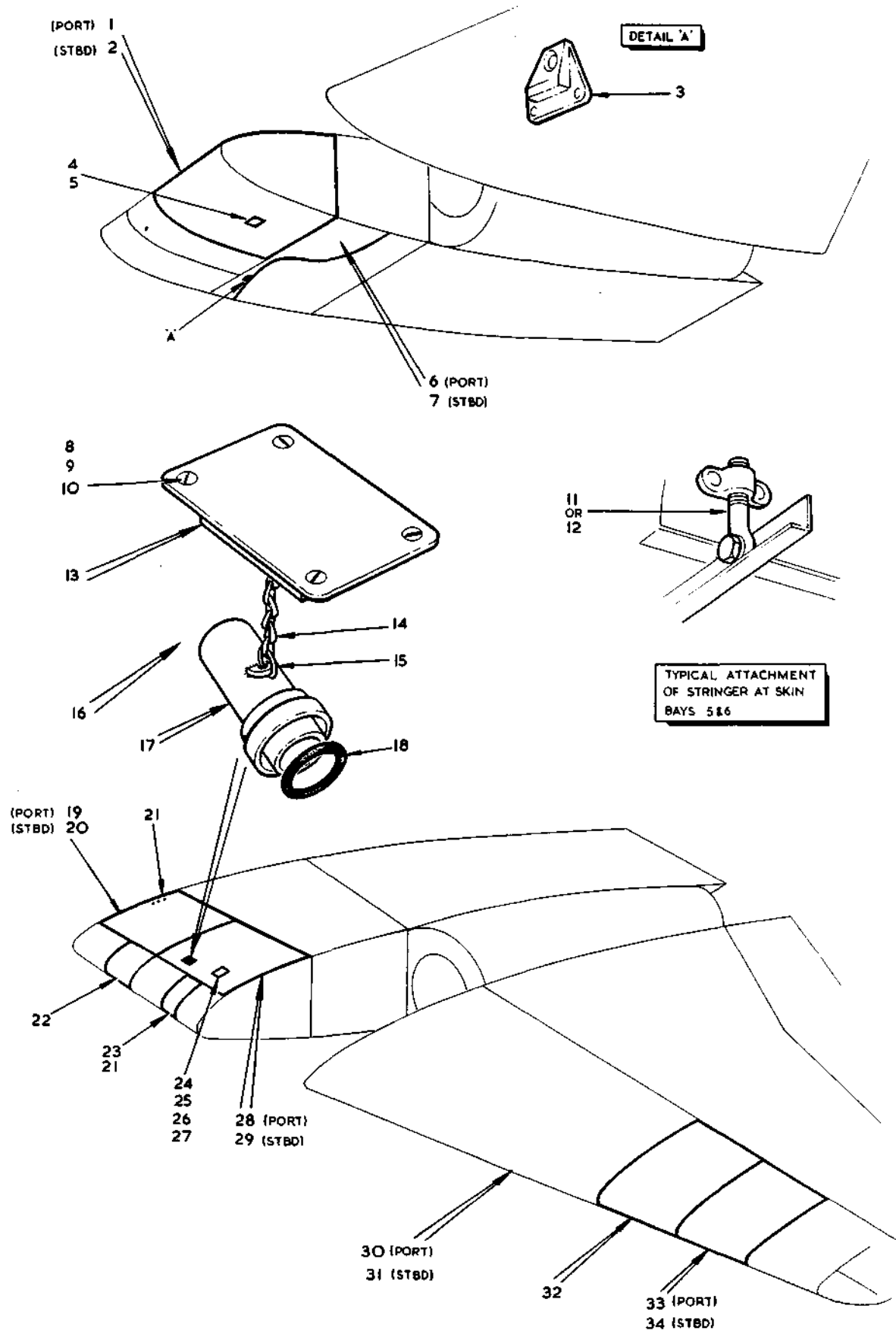


FIG.16 WING STRUCTURE PORT & STBD
Restricted

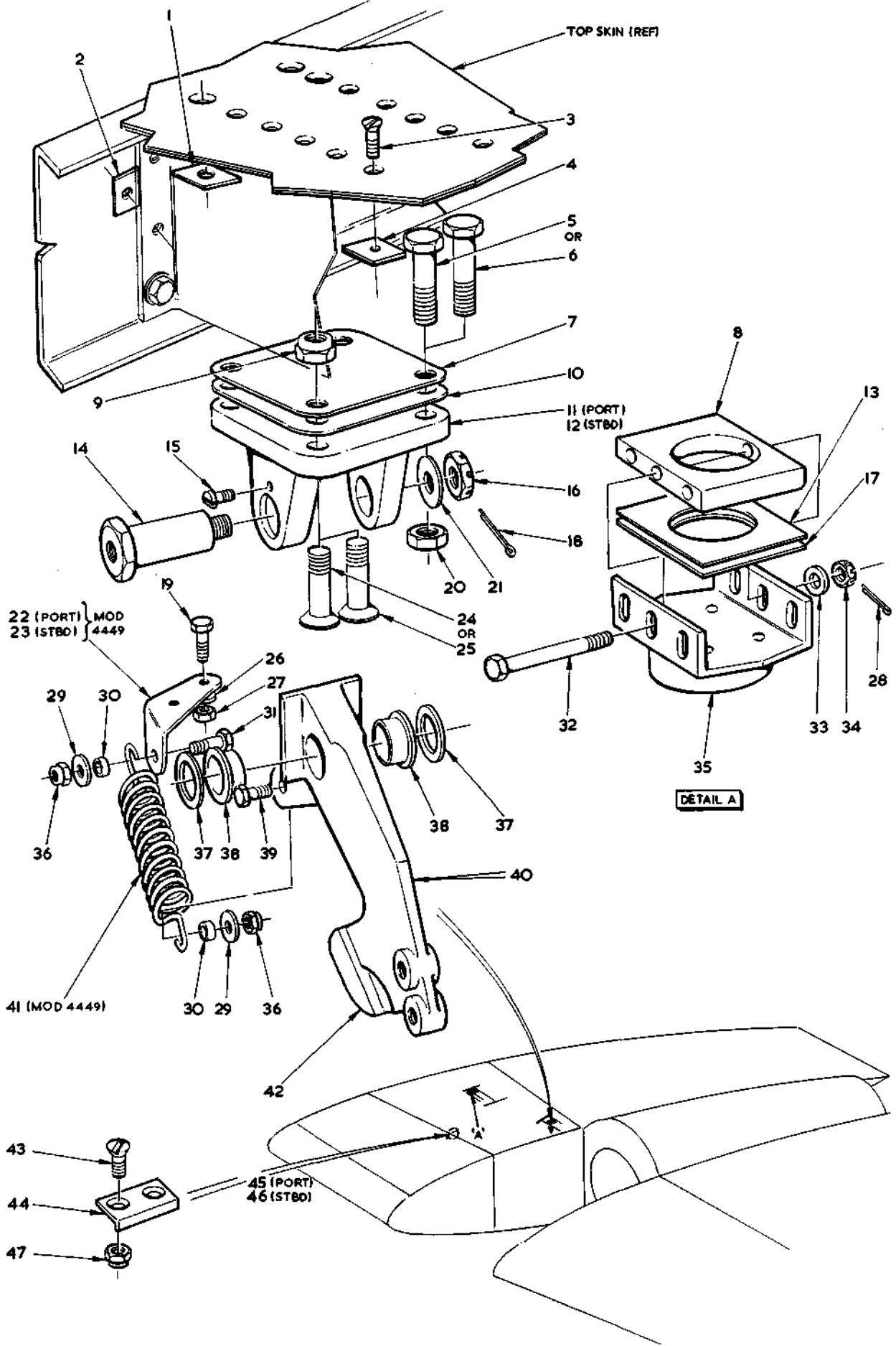


FIG. 17 WING STRUCTURE PORT & STBD.
Restricted

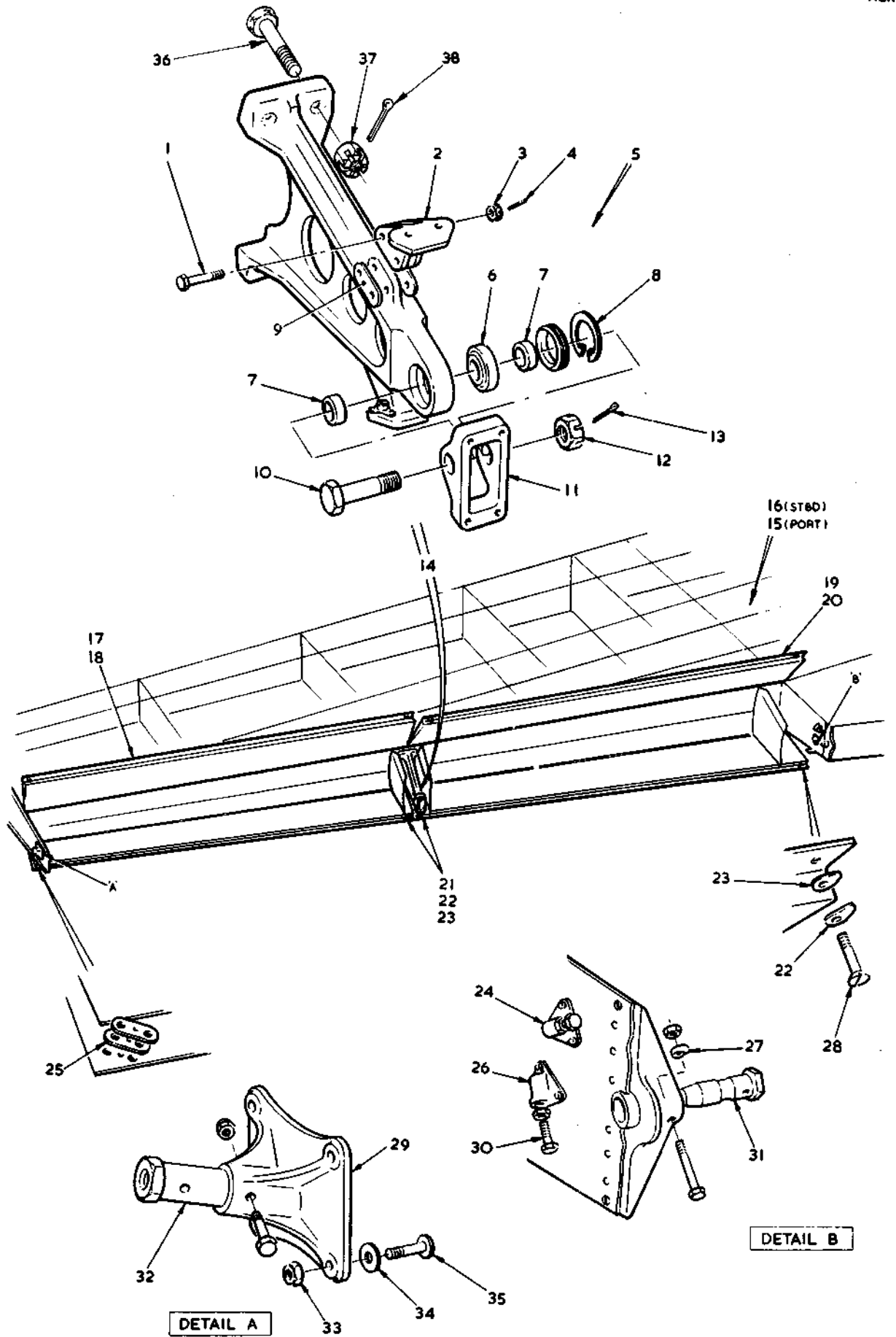


FIG.19 WING STRUCTURE PORT & STBD

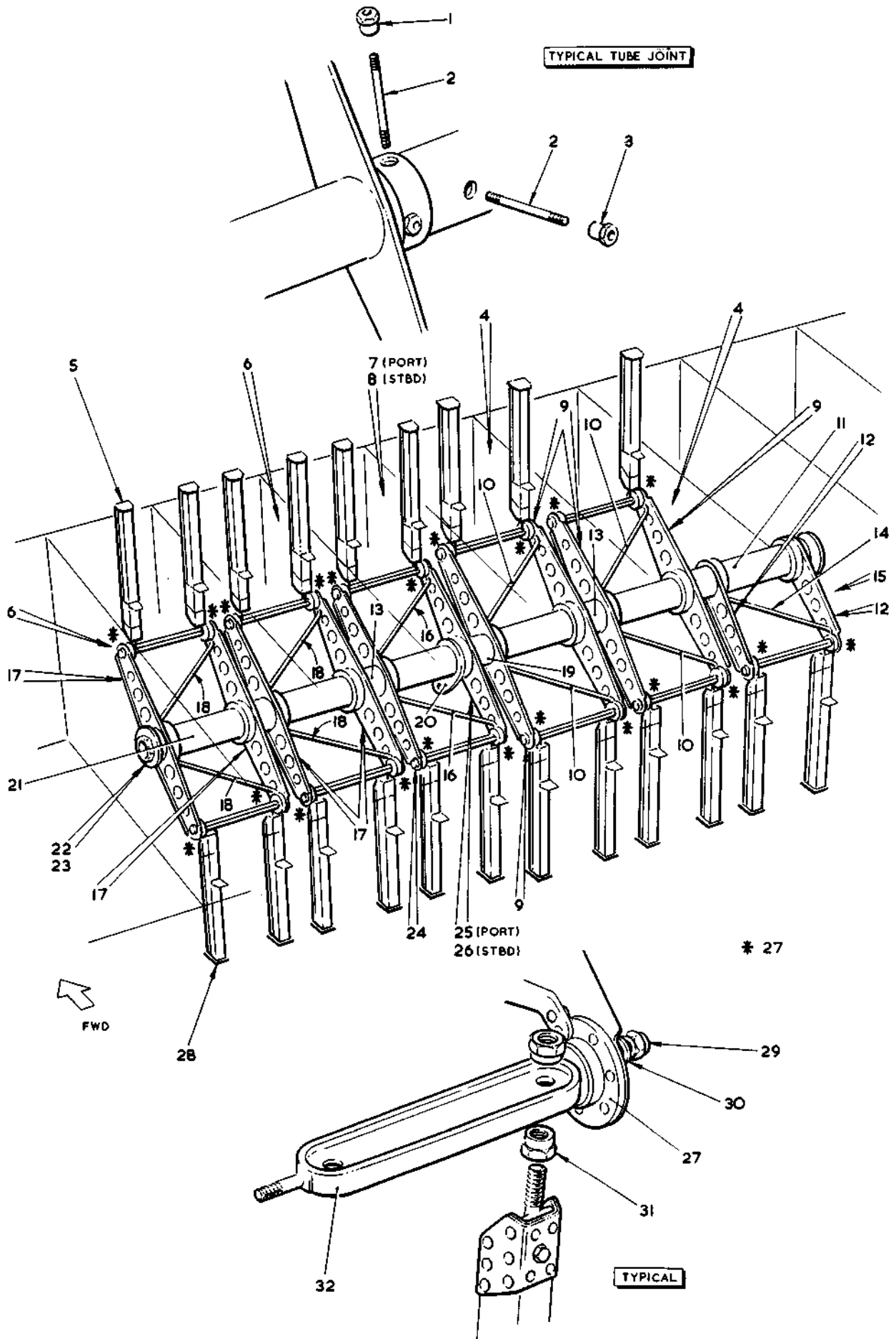


FIG 20 WING STRUCTURE PORT & STBD
Restricted

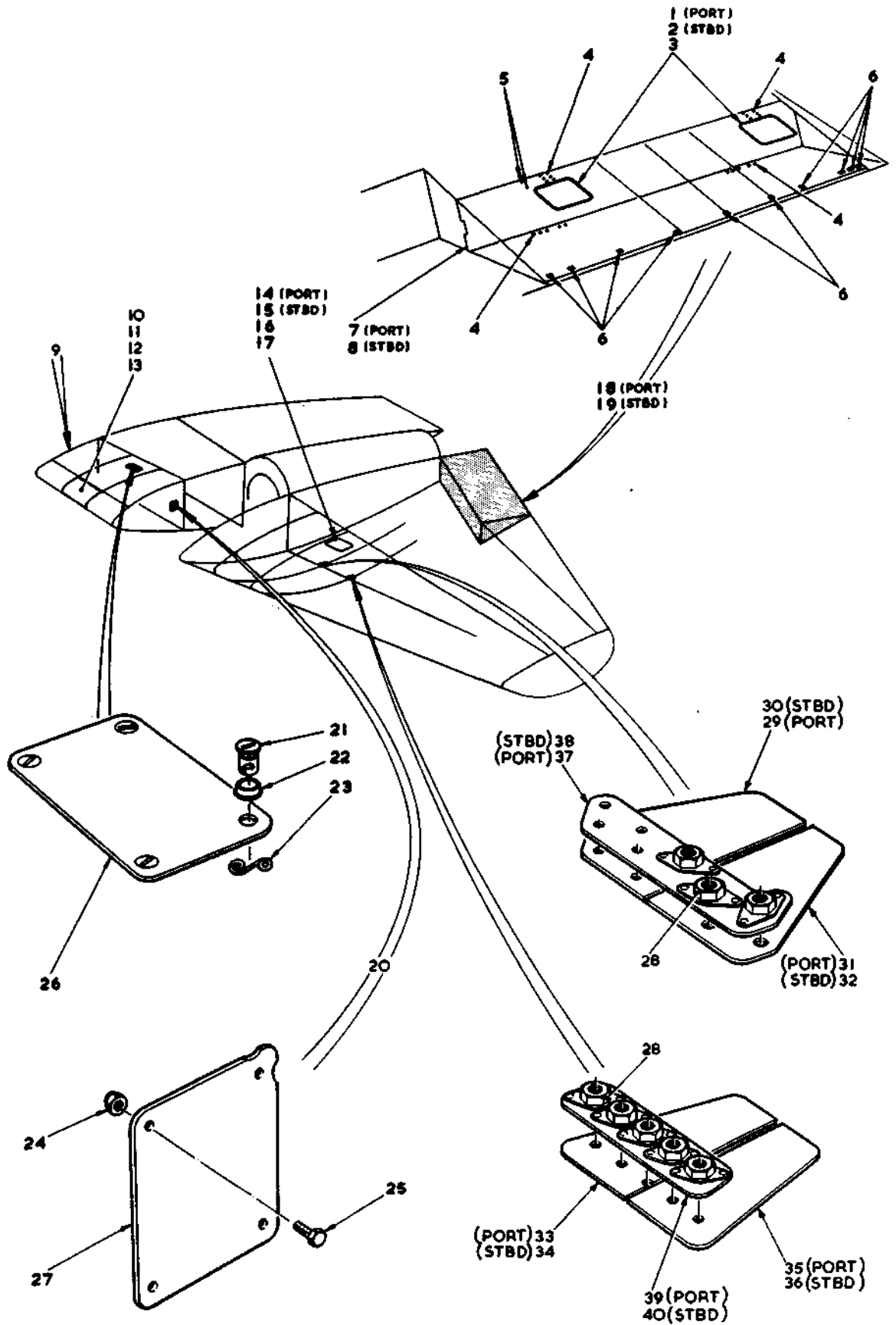


FIG 21 WING STRUCTURE PORT & STBD

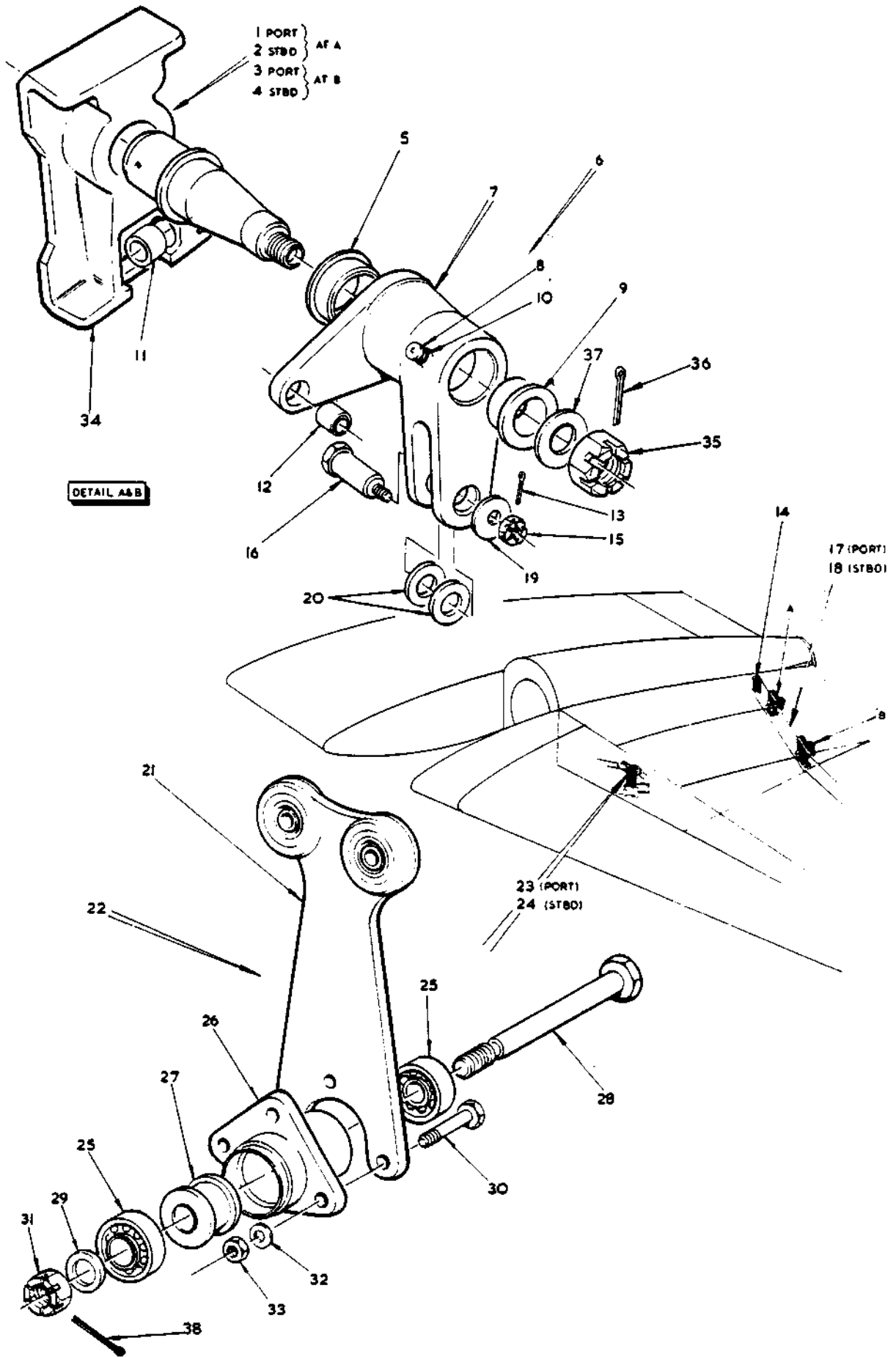


FIG.22 WING STRUCTURE PORT & STBD

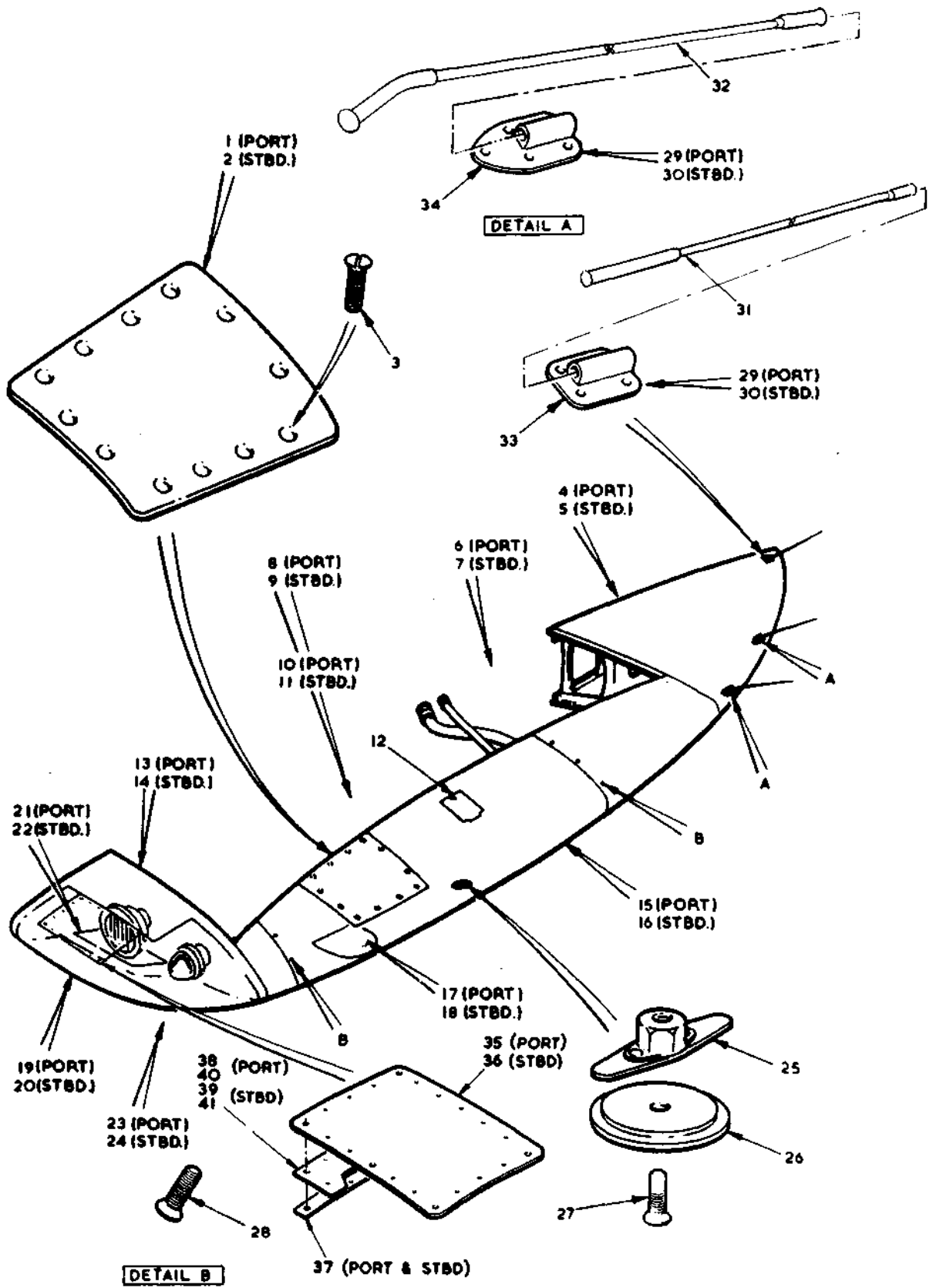


FIG. 23 WING TIP PORT AND STARBOARD ASSEMBLY

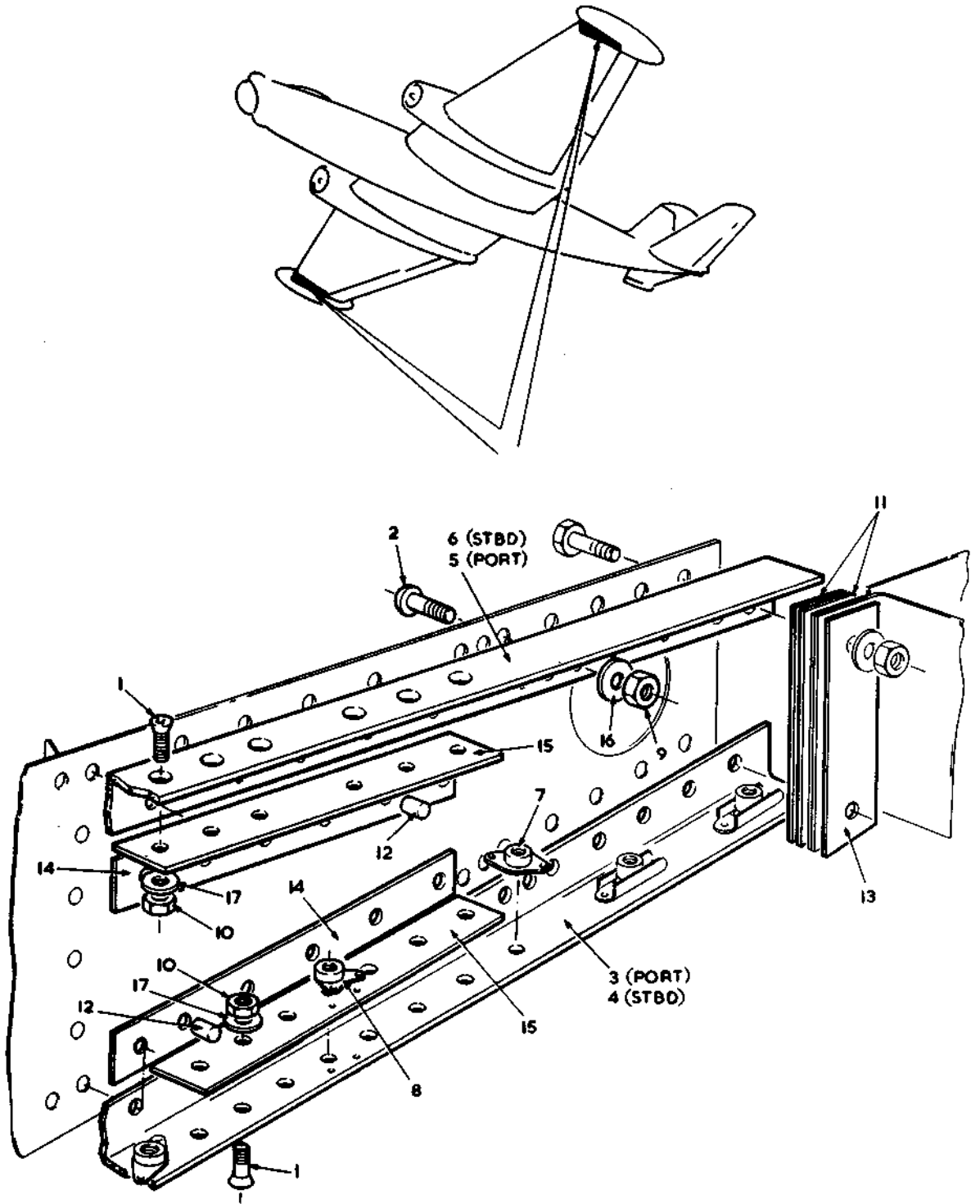


FIG. 24 WING STRUCTURE PORT & STARBOARD

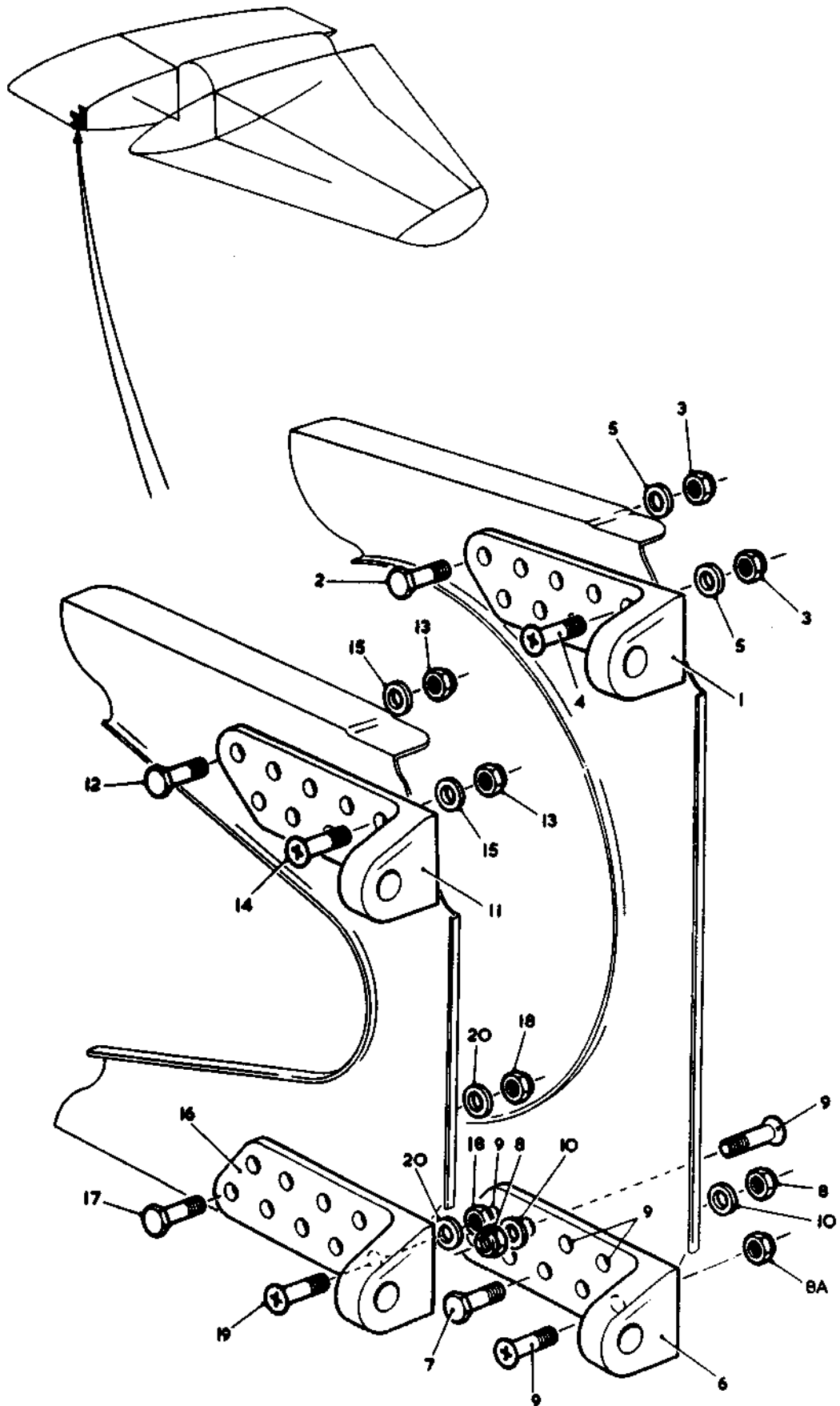


FIG 25 WING STRUCTURE PORT

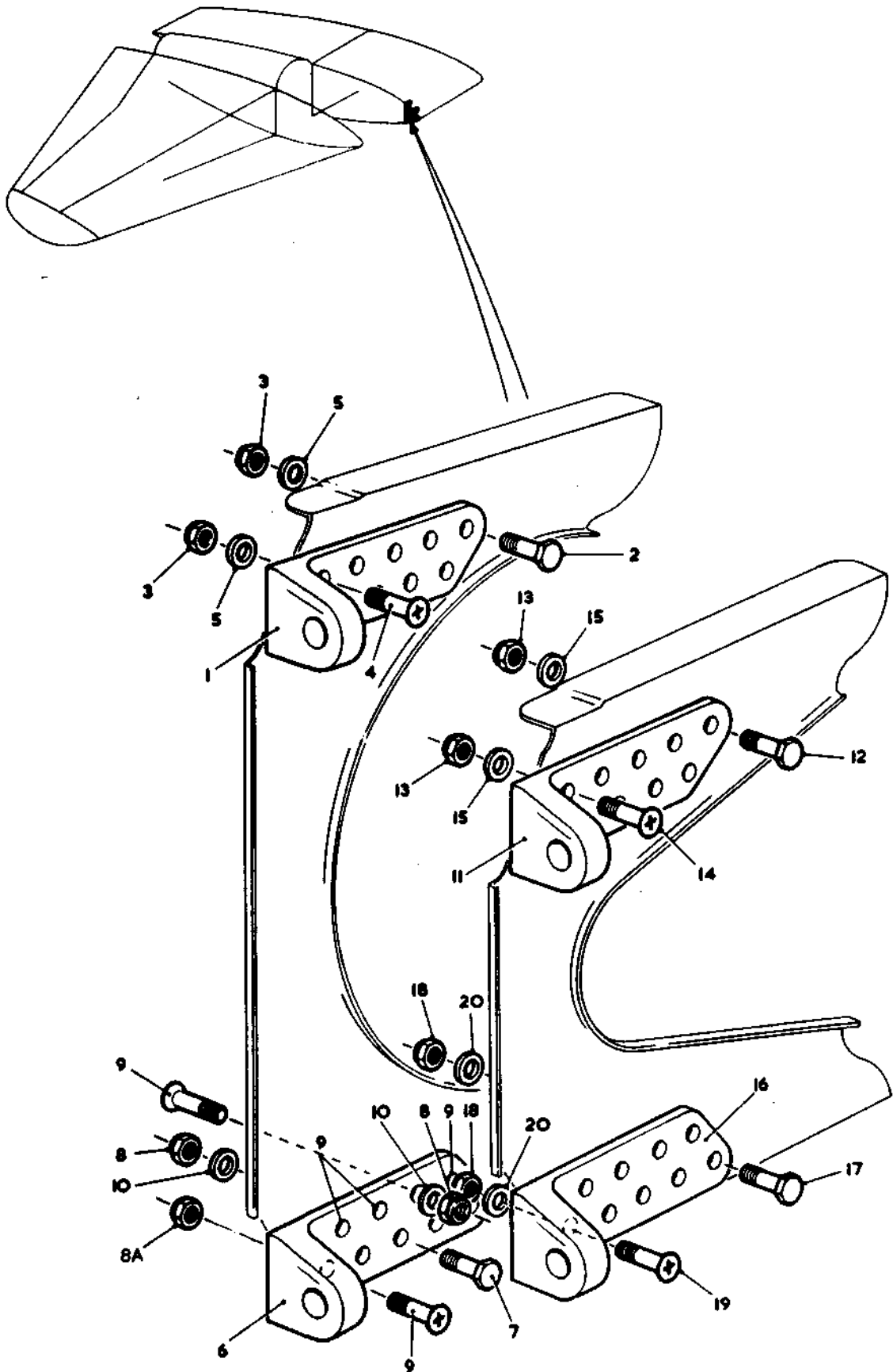


FIG 26 WING STRUCTURE STARBOARD

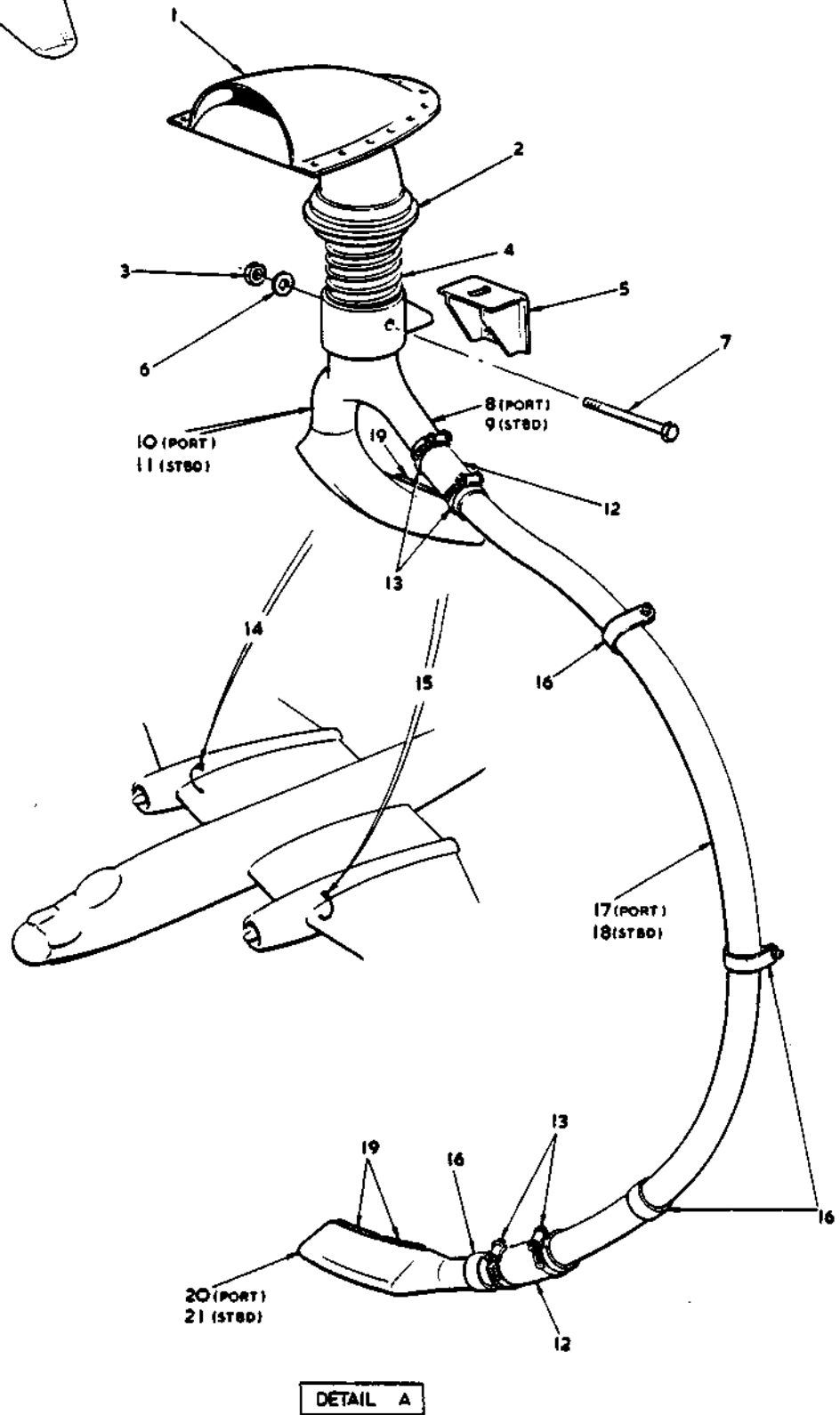
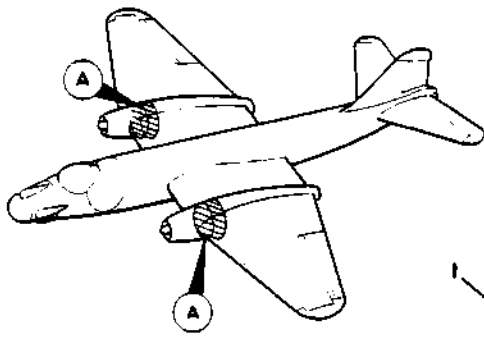


FIG 27 MAIN SPAR COOLING PORT & STARBOARD

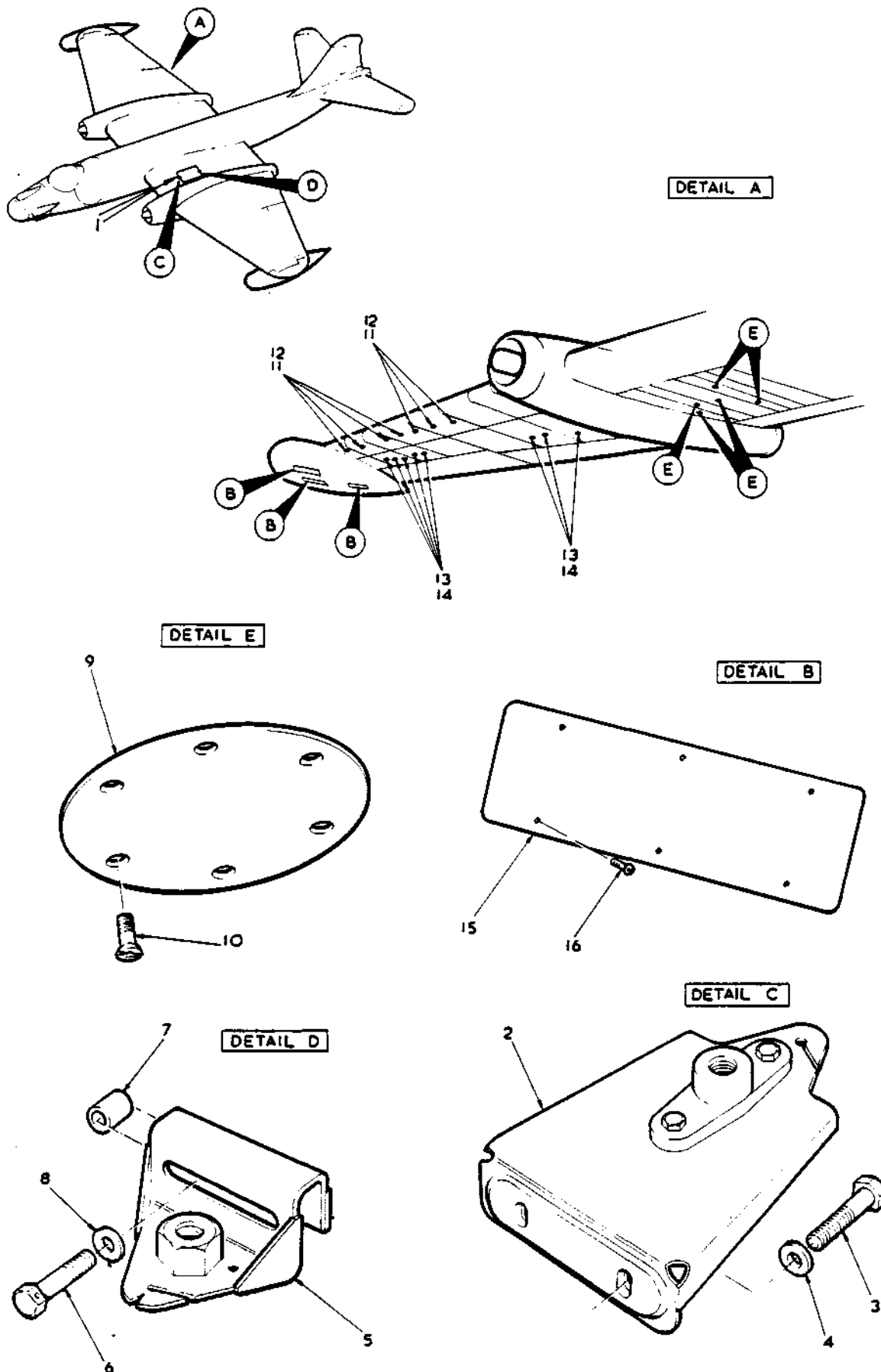


FIG 28 MISCELLANEOUS PANELS AND DETAILS

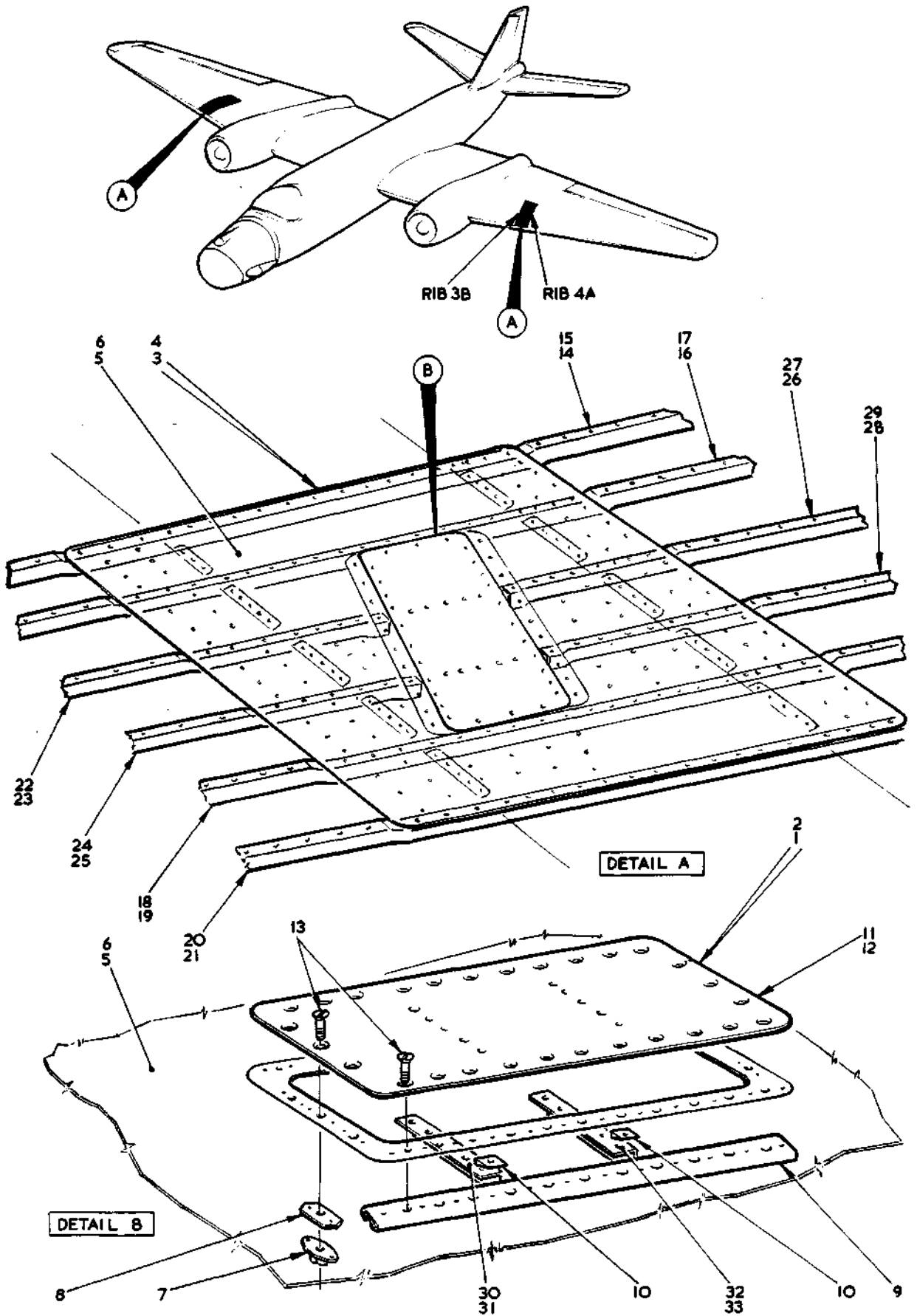


FIG.29 WING STRUCTURE, PORT & STARBOARD

T.MK 17 SECT. J

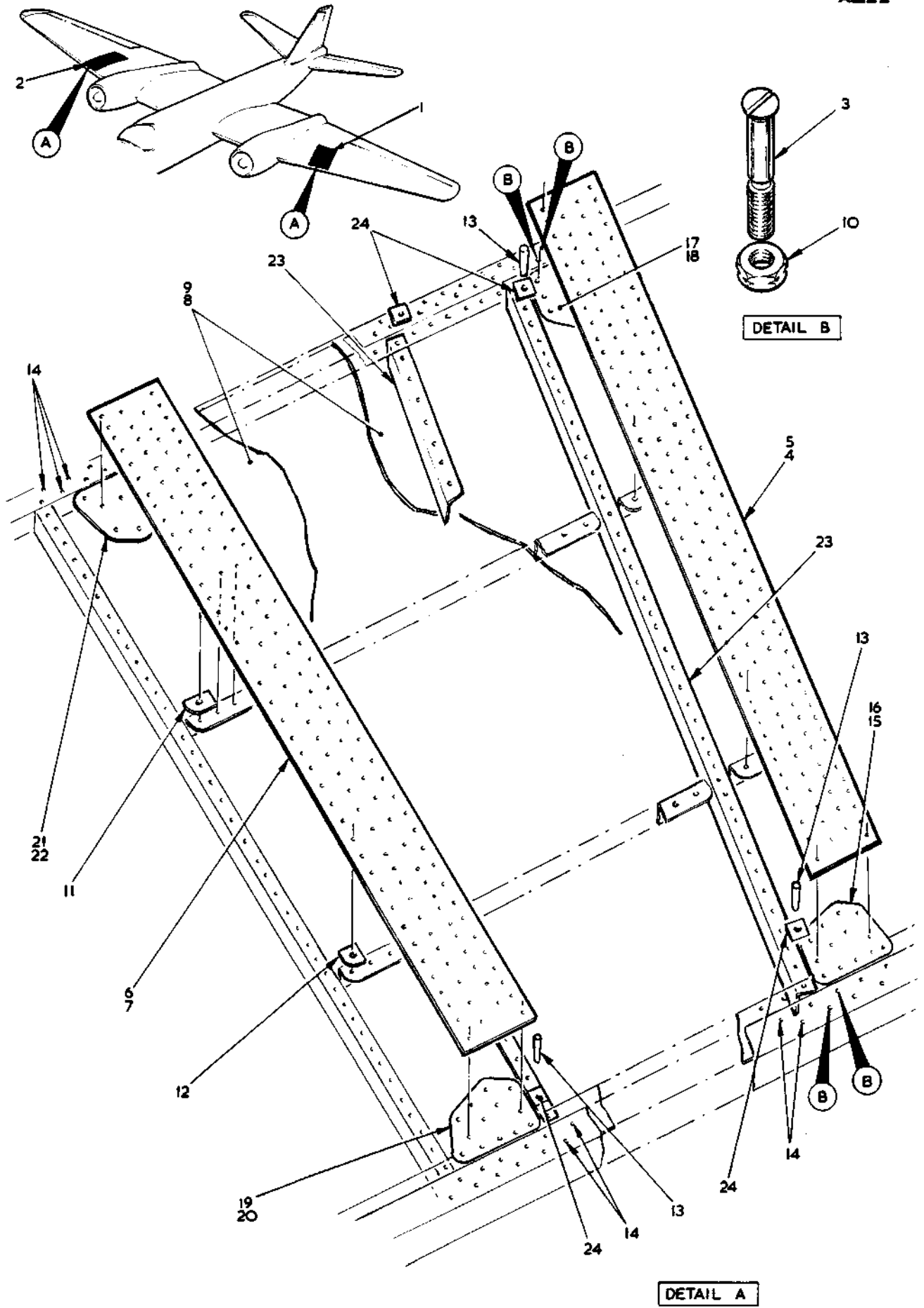


FIG.30 WING STRUCTURE, PORT AND STARBOARD

T.MK.17 SECT.J

This file was downloaded
from the RTFM Library.

Link: www.scottbouch.com/rtfm

Please see site for usage terms,
and more aircraft documents.

