

MISCELLANEOUS ATTACHMENT DETAILS

| Part Number | Description 1 2 3 4 5 6 | No. Off | Matl. Spec. | Plate No. |
|---------------|--|------------|-------------------|-----------|
| | | | | |
| - | WING TO FUSELAGE ATTACHMENT DETAILS, PORT (EA1.00.21) Spares for: | - | - | |
| EA3.20.135 | . BLOCK, sealing, wing to fuselage joint | 1 | Linatex Rubber | 1/23 |
| EA1.20.2897 | . BLOCK, sealing, wing to fuselage joint | 1 | Linatex Rubber | 1/4 |
| EA1.20.2899 | . BLOCK, sealing, wing to fuselage joint | 1 | Linatex Rubber | 1/48 |
| EA1.20.1101 | . BOLT, main pick-up, wing to fuselage attachment | 2 | DTD743 | 1/1 |
| EA1.20.2277 | . BOLT, special, wing to fuselage attachment | 2 | DTD743 | 1/10 |
| A25/10C | . BOLT, 2BA hex. head, 1".45 long | 1 | - | 1/15 |
| R A59/11N | . BOLT, 1/2" BSF (Alt.R60/112) | 1 | - | 1/49 |
| AS1242/1C | . BOLT, 2BA c'sk head | 10 | - | 1/32 |
| A60/6P | . BOLT, shear, main spar to fuselage at frame 21 | 7 | - | 1/34 |
| EA3.11.5179 | . BUSH (Alt.R60/112) | 1 | - | 1/50 |
| EA1.11.129 | . COLLAR, special, rear spar to fuselage | 1 | DTD126A | 1/26 |
| EA3.20.573 or | . GUSSET, bottom, main spar closing panel | 1 | L72 | 1/44 |
| EA9.20.1371 | . GUSSET, bottom, main spar closing panel | 1 | S510 | 1/45 |
| EA3.20.575 | . GUSSET, top, main spar closing panel | 1 | L72 | 1/38 |
| or | | | | |
| EA9.20.1373 | . GUSSET, top, main spar closing panel | 1 | S510 | 1/38 |
| A27/CP | . NUT, 2BA plain | 1 | - | 1/29 |
| A27/NS | . NUT, 1/2" BSF slotted | 1 | - | 1/42 |
| A27/SS | . NUT, 3/4" BSF slotted | 2 | - | 1/3 |
| A27/WS | . NUT, 1" BSF slotted | 2 | - | 1/7 |
| AGS572/J | . NUT, 9/16" BSF thin slotted | 7 | - | 1/37 |
| AGS2001/C/1 | . NUT, stiff, 2BA | 72 | - | 1/17 |
| AGS2002/C/1 | . NUT, stiff, 2BA | 1 | - | 1/30 |
| EA1.20.2275 | . PAD, special, wing attachment | 2 | S11 | 1/6 |
| EA1.11.127 | . PIN, special, rear spar to fuselage | 1 | S11 | 1/27 |
| SP90/E8 | . PIN, split | 8 | - | 1/36 |
| SP90/H13 | . PIN, split | 2 | - | 1/5 |
| SP90/K17 | . PIN, split | 2 | - | 1/9 |
| EEAS1/1C | . SCREW, 2BA 120° c'sk head | 28 | S96 | 1/11 |
| EEAS1/1-1/2C | . SCREW, 2BA 120° c'sk head | 430 | S96 | 1/14 |
| EEAS1/2C | . SCREW, 2BA 120° c'sk head | 1 | S96 | 1/31 |
| EEAS1/2-1/2C | . SCREW, 2BA 120° c'sk head | 24 | S96 | 1/18 |
| EEAS1/4C | . SCREW, 2BA 120° c'sk head | 43 | S96 | 1/22 |
| EA3.20.689 | . STRIP, closing, upper, aft of spar (Supplied undrilled and with trim allowance) | 1 | L73 | 1/12 |
| EA3.20.691 | . STRIP, closing, lower, aft of spar (Supplied undrilled and with trim allowance) | 1 | L73 | 1/24 |

MISCELLANEOUS ATTACHMENT DETAILS

| Part Number | Description | No. Off | Mati. Spec. | Plate No. |
|-------------|--|---------|-------------|-----------|
| | | | | |
| EA1.11.131 | . WASHER, distance, rear spar to fuselage | 1 | L40 | 1/28 |
| EA1.20.1335 | . WASHER, special, main pick-up bolt | 2 | L72 | 1/2 |
| EA3.20.1401 | . WASHER, special, main spar to fuselage | 2 | Laminated | 1/8 |
| EEAS27/16EU | . WASHER, 18 SWG | 24 | S515 | 1/16 |
| EEAS27/16GU | . WASHER, 14 SWG | 48 | S515 | 1/19 |
| AGS163/C | . WASHER, 2BA spring | 35 | - | 1/21 |
| AGS2038/C | . WASHER, 2BA | 10 | - | 1/33 |
| SP13/C | . WASHER, 2BA plain | 1 | - | 1/20 |
| SP15/P | . WASHER, 9/16" BSF plain | 7 | - | 1/35 |
| SP16/N | . WASHER, 1/2" BSF plain (Pre Alt.R60/112) | 1 | - | 1/43 |
| or | . | | | |
| SP125N | . WASHER, 1/2" (Alt.R60/112) | 1 | - | |
| R | WING TO FUSELAGE ATTACHMENT DETAILS, STARBOARD (EA1.00.22) | - | - | |
| R | Spares for this assembly are identical to those for assembly Part No.EA1.00.21 on page K1 except for the following deletions and additions | | | |
| R | Delete: | | | |
| EA3.20.573 | . GUSSET, bottom, main spar closing panel | 1 | L72 | 1/44 |
| or | . | | | |
| EA9.20.1371 | . GUSSET, bottom, main spar closing panel | 1 | S510 | 1/45 |
| EA3.20.575 | . GUSSET, top, main spar closing panel | 1 | L72 | 1/38 |
| or | . | | | |
| EA9.20.1373 | . GUSSET, top, main spar closing panel | 1 | S510 | 1/39 |
| EA3.20.689 | . STRIP, closing, upper, aft of spar (Supplied undrilled and with trim allowance) | 1 | L73 | 1/12 |
| EA3.20.691 | . STRIP, closing, lower, aft of spar (Supplied undrilled and with trim allowance) | 1 | L73 | 1/24 |
| | Add: | | | |
| EA3.20.574 | . GUSSET, bottom, main spar closing panel | 1 | L72 | 1/46 |
| or | . | | | |
| EA9.20.1372 | . GUSSET, bottom, main spar closing panel | 1 | S510 | 1/47 |
| EA3.20.576 | . GUSSET, top, main spar closing panel | 1 | L72 | 1/40 |
| or | . | | | |
| EA9.20.1374 | . GUSSET, top, main spar closing panel | 1 | S510 | 1/41 |
| EA3.60.690 | . STRIP, closing, upper, aft of spar (Supplied undrilled and with trim allowance) | 1 | L73 | 1/13 |
| EA3.20.692 | . STRIP, closing, upper, aft of spar (Supplied undrilled and with trim allowance) | 1 | L73 | 1/25 |
| - | FRONT FUSELAGE TO CENTRE FUSELAGE ATTACHMENT DETAILS (EA1.00.23) | - | - | 2/21 |
| | Consisting of: | | | |
| EA1.10.1207 | . BOLT, special, attachment | 111 | S11 | 2/10 |
| EA1.10.1209 | . BOLT, special, attachment (Pre Alt.R60/301) | 54 | S96 | 2/3 |
| EA1.10.1209 | . BOLT, special, attachment (Alt.R60/301) | 48 | S96 | 2/3 |
| EA3.10.6541 | . BOLT, special, 5/16" (Alt.R60/301) | 6 | - | |
| A25/1C | . BOLT, 2BA hex. head | 18 | - | 2/12 |
| A25/2C | . BOLT, 2BA hex. head | 13 | - | 2/14 |
| EA3.10.6541 | . BOLT, special | 6 | - | |

MISCELLANEOUS ATTACHMENT DETAILS

| Part Number | Description | No. Off | Matl. Spec. | Plate No. |
|--------------|--|---------|-----------------|-----------|
| | | | | |
| A25/15N | . BOLT, 1/2" BSF hex. head | 4 | — | 2/6 |
| AGS.2001/N/1 | . NUT, stiff, 1/2" BSF | 4 | — | 2/9 |
| E.A1.10.2713 | . WASHER, special | 4 | — | 2/8 |
| AGS.163/D | . WASHER, 1/4" BSF spring | 111 | — | 2/11 |
| AGS.164/E | . WASHER, 5/16" BSF spring | 54 | — | 2/4 |
| SP15/C | . WASHER, 2 BA plain | 31 | — | 2/13 |
| SP15/N | . WASHER, 1/2" BSF plain | 4 | — | 2/7 |
| | CENTRE FUSELAGE TO REAR FUSELAGE ATTACHMENT DETAILS (E.A1.00.25) | — | — | 3/18 |
| | Consisting of:— | | | |
| A25/6E | . BOLT, 1/4" BSF hex. head | 64 | — | 3/17 |
| A25/7E | . BOLT, 1/4" BSF hex. head | 16 | — | 3/5 |
| A25/10E | . BOLT, 1/4" BSF hex. head | 6 | — | 3/6 |
| A25/11E | . BOLT, 1/4" BSF hex. head | 4 | — | 3/12 |
| A25/13E | . BOLT, 1/4" BSF hex. head | 40 | — | 3/2 |
| A25/15E | . BOLT, 1/4" BSF hex. head | 8 | — | 3/15 |
| A25/13G | . BOLT, 5/16" BSF hex. head | 14 | — | 3/1 |
| A25/15G | . BOLT, 5/16" BSF hex. head | 4 | — | 3/16 |
| A25/16N | . BOLT, 1/2" BSF hex. head | 2 | — | 3/11 |
| A25/18N | . BOLT, 1/2" BSF hex. head | 2 | — | 3/13 |
| R 33H2202125 | . CEMENT, bostik | QR | — | 3/14 |
| AGS.2001/E/1 | . NUT, stiff, 1/4" BSF | 138 | — | 3/3 |
| AGS.2001/G/1 | . NUT, stiff, 5/16" BSF | 18 | — | 3/4 |
| AGS.2001/N/1 | . NUT, stiff, 1/2" BSF | 4 | — | 3/10 |
| E.A1.10.2713 | . WASHER, special | 4 | — | 3/9 |
| SP15/E | . WASHER, 1/4" BSF plain | 74 | — | 3/7 |
| SP15/N | . WASHER, 1/2" BSF plain | 4 | — | 3/8 |
| | TAILPLANE TO REAR FUSELAGE ATTACHMENT DETAILS (E.A1.00.53) | — | — | 4/23 |
| | Consisting of:— | | | |
| E.A3.20.75 | . BOLT, special pivot, tailplane attachment forward hinge point | 2 | S97 | 4/29 |
| E.A1.12.451 | . BOLT, special, tailplane actuator anchor | 1 | S65 | 4/25 |
| R A24/PP | . NUT, tailplane attachment forward hinge point | 2 | Stainless steel | 4/28 |
| E.A1.12.453 | . NUT, special slotted, tailplane actuator anchor | 1 | MS | 4/24 |
| SP21 | . NIPPLE, lubricating | 2 | — | 4/30 |
| SP90/E8 | . PIN, split | 3 | — | 4/21 |
| E.A1.12.455 | . WASHER, special, tailplane actuator anchor | 2 | L72 | 4/22 |

MISCELLANEOUS ATTACHMENT DETAILS

| Part Number | Description | No. Off | Mati. Spec. | Plate No. | |
|------------------|--|---------|-------------|-----------|---|
| | | | | | 1 |
| — | FIN TO FUSEALGE ATTACHMENT DETAILS (E.A1.00.55) Consisting of:— | — | — | 4/9 | |
| A25/1C | . BOLT, 2 BA hex. head | 10 | — | 4/11 | |
| A25/9C | . BOLT, 2 BA c'sk head | 6 | — | 4/10 | |
| AS.1242/1C | . BOLT, 2 BA c'sk head | 18 | — | 4/12 | |
| AS.1242/1-1/2C | . BOLT, 2 BA c'sk head | 36 | — | 4/20 | |
| EEAS.1/4C | . SCREW, 2 BA 120 ^D c'sk head | 58 | S96 | 4/18 | |
| EEAS.1/5C | . SCREW, 2 BA 120 ^D c'sk head | 20 | S96 | 4/19 | |
| — | FIN TO FUSEALGE ATTACHMENT DETAILS (EA3.32.237) (Alt. R60/12) Spares for:— | — | — | 6 | |
| E.K5.32.607 | . BOLT, special, port | 1 | — | 6/1 | |
| E.K5.32.609 | . BOLT, special, starboard | 1 | — | 6/2 | |
| A60/6G | . BOLT, hex. head, 5/16" BSF | 1 | — | 6/3 | |
| A60/9G | . BOLT, hex. head, 5/16" BSF | 1 | — | 6/4 | |
| A60/7J | . BOLT, hex. head, 3/8" BSF | 1 | — | 6/5 | |
| A60/8J | . BOLT, hex. head, 3/8" BSF | 1 | — | 6/6 | |
| A60/9J | . BOLT, hex. head, 3/8" BSF | 1 | — | 6/7 | |
| A60/10J | . BOLT, hex. head, 3/8" BSF | 2 | — | 6/8 | |
| A60/11J | . BOLT, hex. head, 3/8" BSF | 3 | — | 6/9 | |
| A60/13J | . BOLT, hex. head, 3/8" BSF | 1 | — | 6/10 | |
| A60/14J | . BOLT, hex. head, 3/8" BSF | 1 | — | 6/11 | |
| A60/16J | . BOLT, hex. head, 3/8" BSF | 3 | — | 6/12 | |
| E.A1.32.127 | . CAGE, assembly, port | 1 | — | 6/13 | |
| E.A1.32.128 | . CAGE, assembly, starboard | 1 | — | 6/14 | |
| E.A3.32.245 | . FITTING, fin, spar root, port Spares for:— | 1 | — | 6/15 | |
| E.A1.32.79 | . . BUSH | 1 | — | 6/16 | |
| E.A1.32.81 | . . BUSH | 1 | — | 6/17 | |
| E.A3.32.241 | . . FITTING, fin spar root | 1 | — | 6/18 | |
| E.A3.32.247 | . FITTING, fin, spar root, starboard Spares for:— | 1 | — | 6/19 | |
| E.A1.32.83 | . . BUSH | 1 | — | 6/20 | |
| E.A1.32.85 | . . BUSH | 1 | — | 6/21 | |
| E.A3.32.243 | . . FITTING, fin spar root | 1 | — | 6/22 | |
| A27/QP | . NUT, 5/8" BSF | 2 | — | 6/23 | |
| A27/GP | . NUT, 5/16" BSF | 2 | — | 6/24 | |
| A58/JT | . NUT, 3/8" BSF | 13 | — | 6/25 | |
| E.A9.32.17 | . PACKING, laminated | 4 | — | 6/26 | |
| V63013-LS-054166 | . SHIM, laminated | 1 | BAC.M64 | 6/27 | |
| V63013-LS-046166 | . SHIM, laminated | 1 | BAC.M64 | 6/28 | |
| EEAS.319-G-2 | . WASHER | 2 | — | 6/29 | |
| EEAS.319-J-1 | . WASHER | 8 | — | 6/30 | |
| EEAS.319-J-2 | . WASHER | 5 | — | 6/31 | |

MISCELLANEOUS ATTACHMENT DETAILS

| Ref. No. | Part No. | Description | No. off | Matl. Spec. | Cl. of Equip. M.R. L.M. | Fig. and Index |
|-------------|--------------|---|---------|-------------|-------------------------|----------------|
| | | | | | | |
| | — | RUDDER TO FIN AND FUSELAGE ATTACHMENT DETAILS (E.A1.00.57) Consisting of:— | — | — | — | 4/8 |
| 4730 | E.A1.32.203 | BOLT, special attachment, rudder to fin, top hinge .. | 2 | S11 | C | 4/27 |
| 4731 | E.A1.32.205 | BOLT, special attachment, rudder to fin, top hinge .. | 4 | S11 | C | 4/26 |
| 28M/4095931 | A27/SS | NUT, 3/4" BSF slotted | 1 | — | C | 4/15 |
| 28P/1221025 | SP90/H16 | PIN, split, 5/32" x 2" long | 1 | — | C | 4/16 |
| 3667 | E.A3.33.219 | WASHER, special sealing | 1 | L40 | C | 4/14 |
| | — | REAR FAIRING TO FUSELAGE ATTACHMENT DETAILS (E.G7.00.59). Consisting of:— | — | — | — | 4/17 |
| 28D/1008151 | A25/4E | BOLT, 1/4" BSF hex. head, ".85 long | 2 | — | C | 4/3 |
| 28M/1011467 | A27/ES | NUT, 1/4" BSF slotted | 2 | — | C | 4/7 |
| 28M/9480017 | AGS.2001/E/1 | NUT, stiff, 1/4" BSF | 4 | — | C | 4/13 |
| 28P/9527619 | SP90/C7 | PIN, split, 1/16" dia. x 1" long | 2 | — | C | 4/5 |
| 1028 | EEAS.1/3C | SCREW, 2 BA 120° c'sk head | 4 | S96 | C | 4/6 |
| 28W/9419487 | SP16/E | WASHER, 1/4" BSF plain | 2 | — | C | 4/4 |
| | — | TAILPLANE SEALING PLATES ATTACHMENT DETAILS (E.A1.00.61) Consisting of:— | — | — | — | 2/1 |
| 28S/9435717 | A33/C20 | SCREW, 2 BA c'sk head | 62 | — | C | 2/2 |
| | — | CONTROLS TO RUDDER AND ELEVATOR ATTACHMENT DETAILS (E.A1.00.63) Consisting of:— | — | — | — | 2/5 |
| 67 | EEAS.13/1 | BOLT, special, connecting control, rod to rudder | 2 | S96 | C | 2/19 |
| 68 | EEAS.14 | BUSH, connecting rod | 2 | S96 | C | 2/17 |
| 3569 | EEAS.63/E | NUT, slotted, control tube connecting belt | 2 | S96 | C | 2/15 |
| 3570 | EEAS.127 | PIECE, distance, control tube connection | 2 | S96 | C | 2/16 |
| 28P/9527619 | SP90/C7 | PIN, split | 2 | — | C | 2/18 |

MISCELLANEOUS ATTACHMENT DETAILS

| Part Number | Description | No. Off | Matl. Spec. | Plate No. |
|-------------|--|---------|-------------|-----------|
| | | | | |
| - | DROP TANK TO WING ATTACHMENT DETAILS, PORT (EG7.00.61) (See page Q1) | - | - | |
| - | DROP TANK TO WING ATTACHMENT DETAILS, STARBOARD (EG7.00.62) (See page Q1) | - | - | |
| - | WINDOW DISPENSER TO WING ATTACHMENT DETAILS, PORT (EG7.00.81) | - | - | 5/1 |
| | Consisting of: | | | |
| EA1.20.2031 | . BOLT, explosive | 3 | L40 | 5/14 |
| EG7.81.2795 | . DETONATOR, forward explosive bolt, group | 1 | - | 5/3 |
| | Consisting of: | | | |
| EG7.81.2081 | . . CONDUIT, DETONATOR, ASSEMBLY (Pre Mod.5267) | 1 | - | 5/6 |
| EG7.81.4023 | . . CONDUIT, DETONATOR, ASSEMBLY (Mod.5267) | 1 | - | |
| | Spares for: | | | |
| EA1.81.939 | . . . PLUG, detonator | 1 | - | 5/13 |
| A.E.I. | . . . TUBING, P.T.F.E. | QR | - | 5/9 |
| TWT/11 | . . . DETONATOR, No.109, Mk.2 | 1 | - | 5/17 |
| 12G/9635205 | . . . SLEEVE, 1" long | QR | - | 5/10 |
| EEAS146/6 | . . . SPRING | 1 | - | 5/15 |
| EA1.81.938 | . . . TUBE, detonator | 1 | - | 5/16 |
| EA1.81.428 | . . . DETONATOR, REAR OUTBOARD EXPLOSIVE BOLT, GROUP | 1 | - | 5/5 |
| EG7.81.2797 | Consisting of: | | | |
| EG7.81.2082 | . . CONDUIT, DETONATOR, ASSEMBLY (Pre Mod.5267) | 1 | - | 5/4 |
| EG7.81.4025 | . . CONDUIT, DETONATOR, ASSEMBLY (Mod.5267) | 1 | - | |
| | Spares for: | | | |
| EA1.81.939 | . . . PLUG, detonator | 1 | - | 5/13 |
| A.E.I. | . . . TUBING, P.T.F.E. | QR | - | 5/9 |
| TWT/11 | . . . DETONATOR, No.109, Mk.2 | 1 | - | 5/17 |
| 12G/9635205 | . . . SLEEVE, 1" long | QR | - | 5/10 |
| EEAS146/6 | . . . SPRING | 1 | - | 5/15 |
| EA1.81.938 | . . . TUBE, detonator | 1 | - | 5/16 |
| EA1.81.428 | . . . DETONATOR, REAR INBOARD EXPLOSIVE BOLT, GROUP | 1 | - | 5/8 |
| EG7.81.2817 | Consisting of: | | | |
| EG7.81.2819 | . . CONDUIT, DETONATOR, ASSEMBLY (Pre Mod.5267) | 1 | - | 5/7 |
| EG7.81.4027 | . . CONDUIT, DETONATOR, ASSEMBLY (Mod.5267) | 1 | - | |
| | Spares for: | | | |
| EA1.81.939 | . . . PLUG, detonator | 1 | - | 5/13 |

MISCELLANEOUS ATTACHMENT DETAILS

| Part Number | Description 1 2 3 4 5 6 | No. Off | Mati. Spec. | Plate No. |
|--|---|---|---|--|
| R A.E.I. TWT/11 12G/9635205 EEAS146/6 EA1.81.938 EA1.81.428 R AGS2002/Q1 EA1.20.8833 EA1.20.10505 - | . . . TUBING, P.T.F.E. . . . DETONATOR, No.109, Mk.2 . . . SLEEVE, 1" long . . . SPRING . . . TUBE, detonator . NUT, stiff, 5/8" BSF . WASHER, special, explosive bolt . WASHER, special, explosive bolt WINDOW, DISPENSER TO WING ATTACHMENT DETAILS, STARBOARD (EG7.00.82) Spares for this assembly are identical to those for assembly Part No.EG7.00.81 on page K5 | QR 1 QR 1 1 3 3 3 - | - - - - - L40 DTD124 - | 5/9 5/17 5/10 5/15 5/16 5/11 5/18 5/12 5/2 |

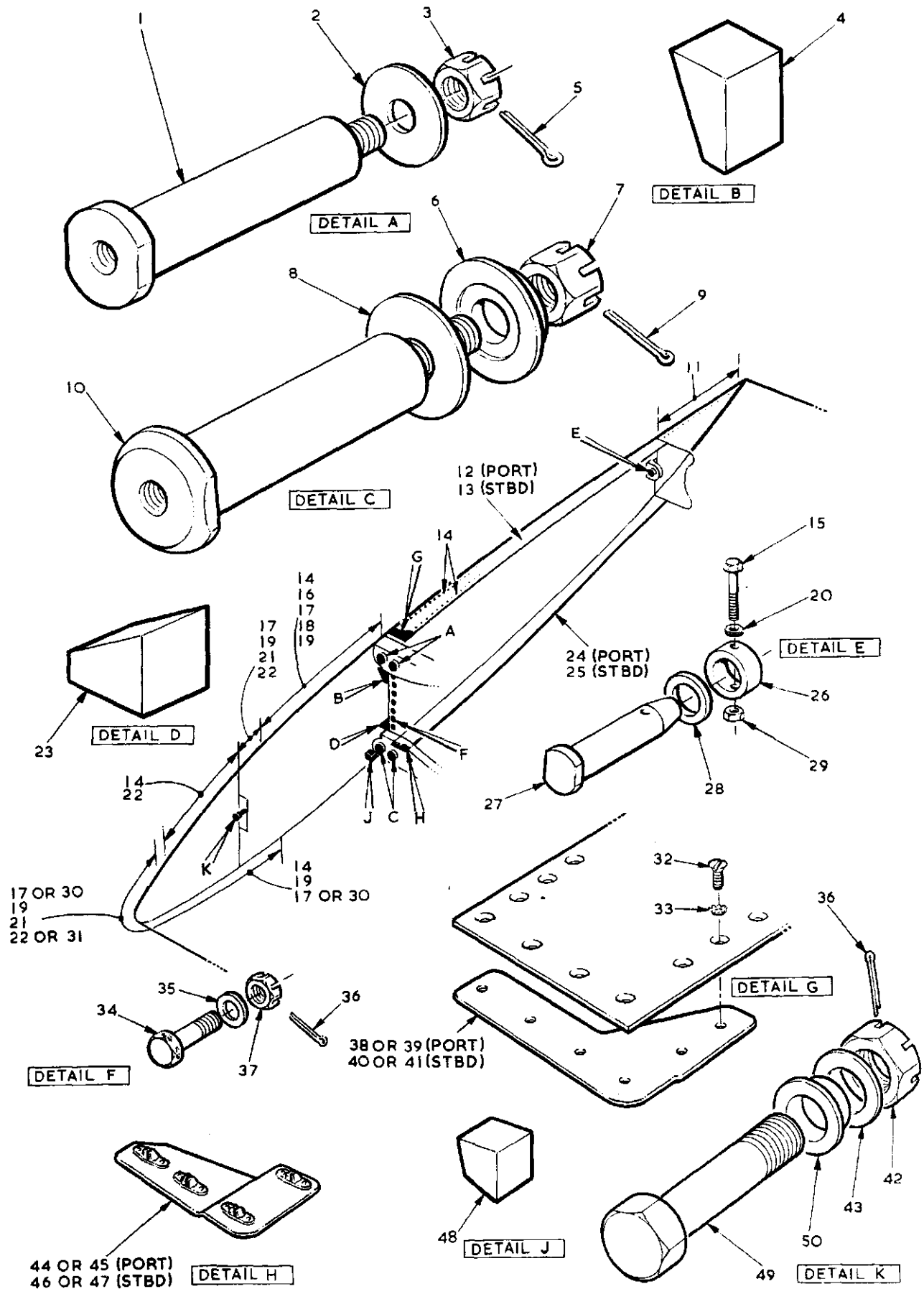


FIG. I MISCELLANEOUS ATTACHMENT DETAILS
Restricted

Restricted

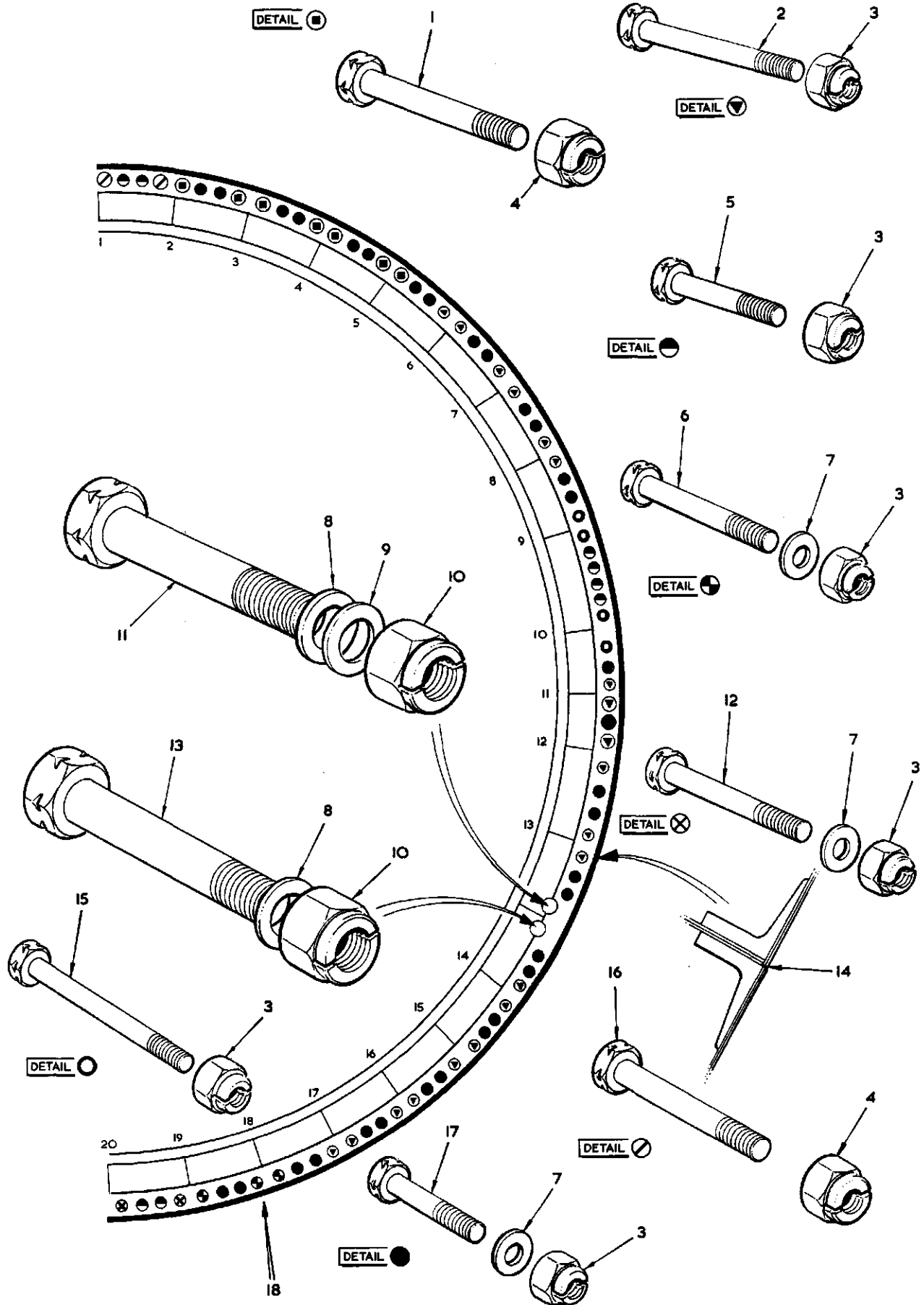


FIG. 3 MISCELLANEOUS ATTACHMENT DETAILS

Restricted

T.MK.17 SECT. K

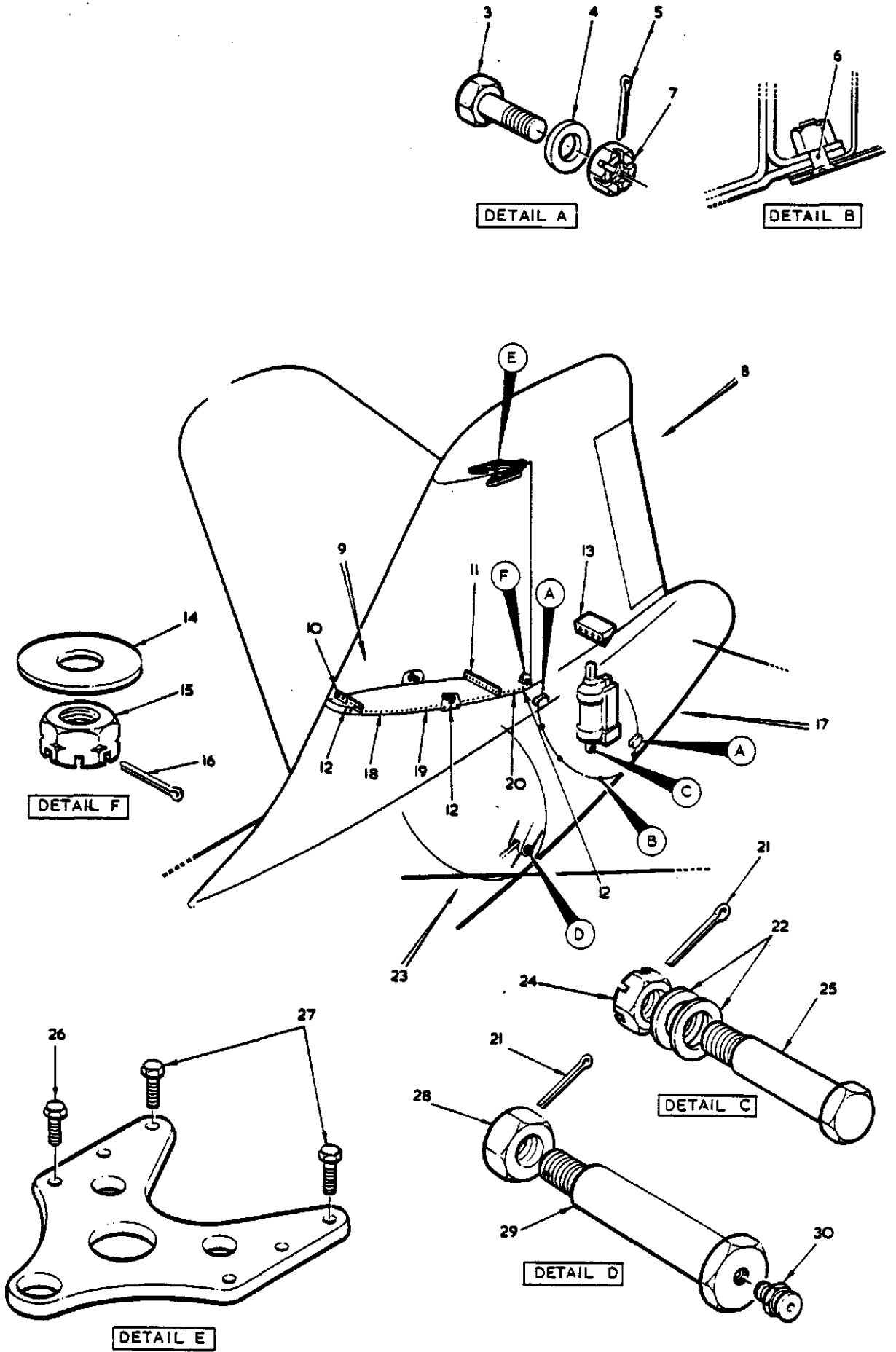


FIG. 4 MISCELLANEOUS ATTACHMENT DETAILS

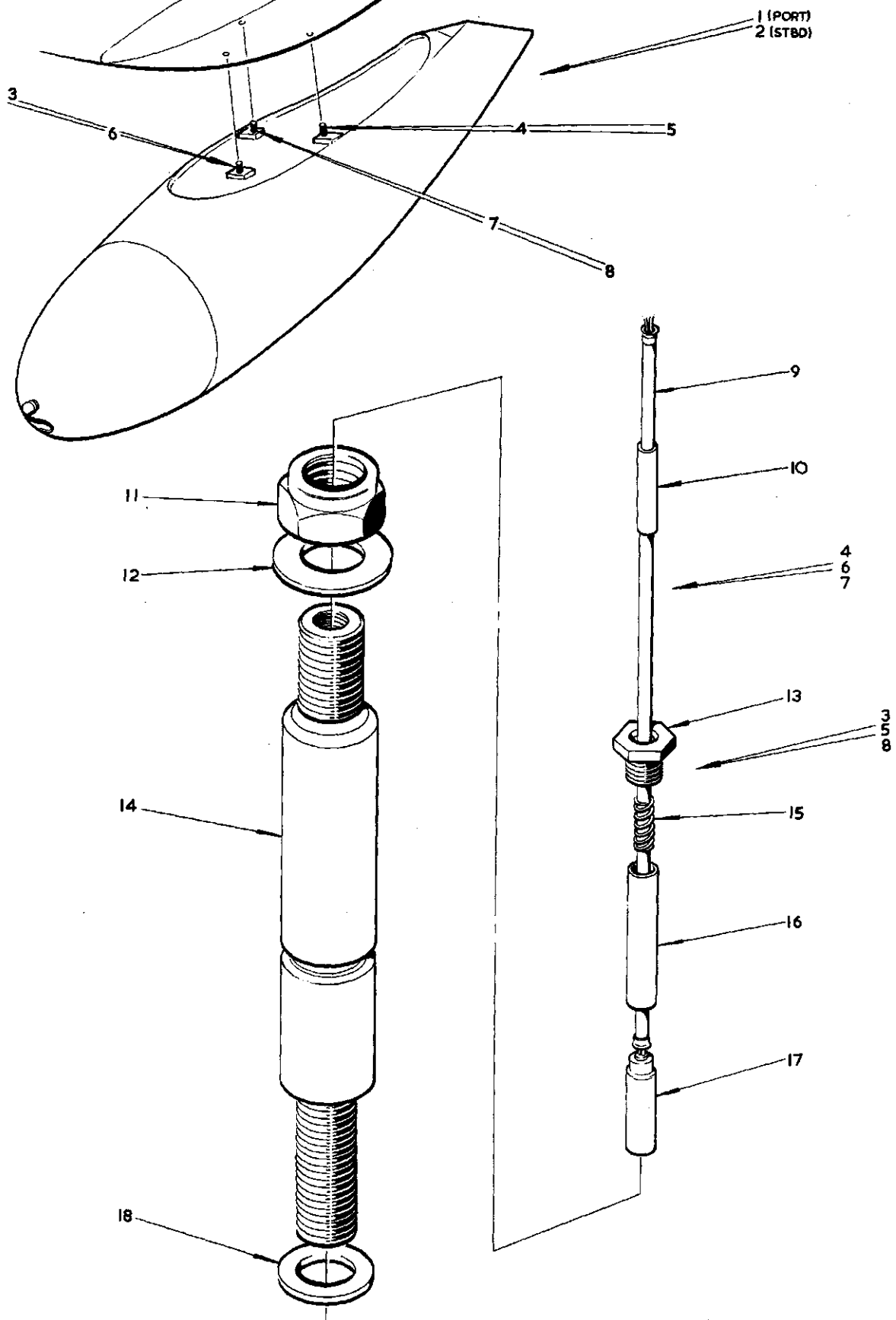


FIG 5 MISCELLANEOUS ATTACHMENTS DETAILS
Restricted

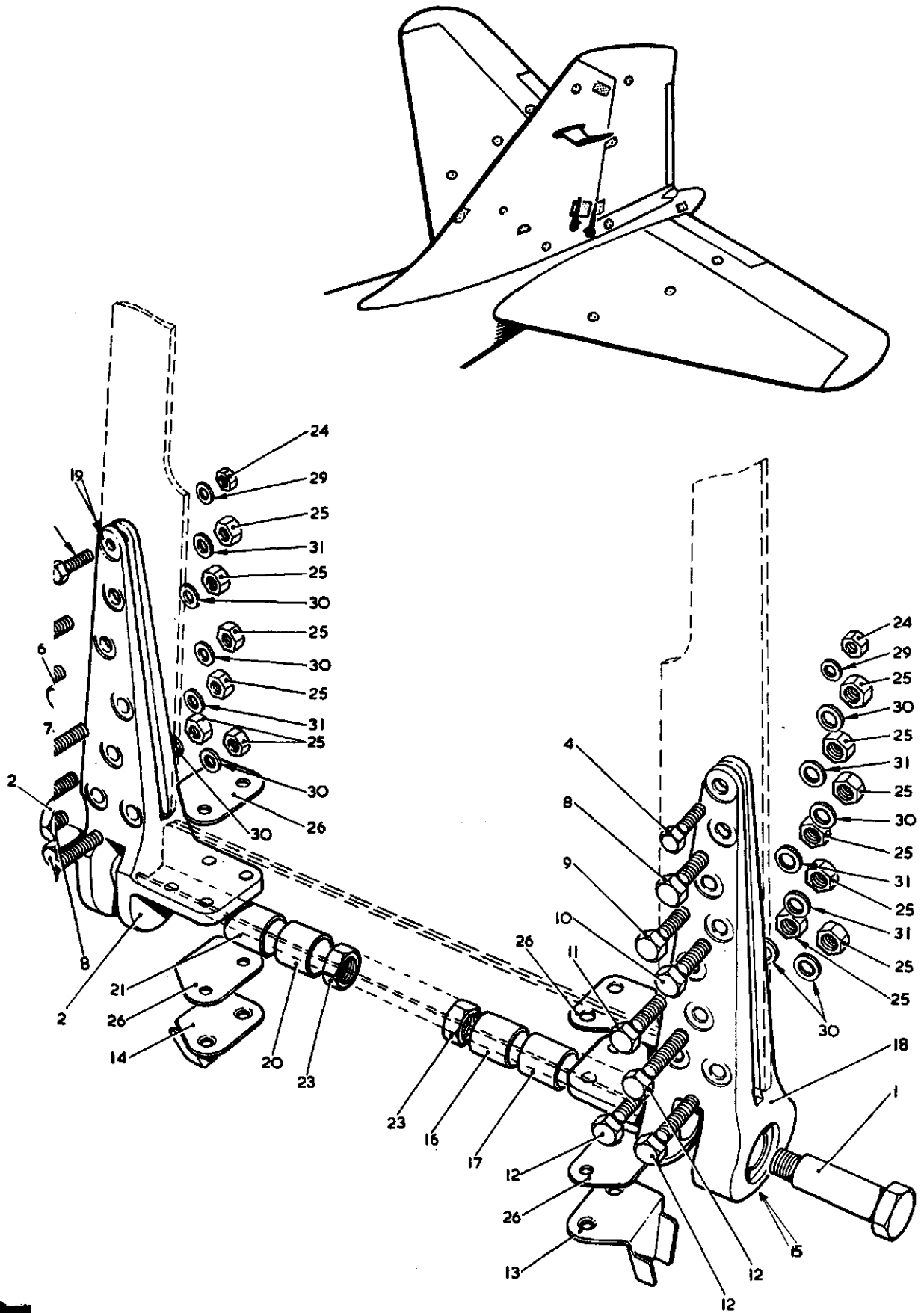


FIG. 6 FIN TO FUSELAGE ATTACHMENT DETAILS

This file was downloaded
from the RTFM Library.

Link: www.scottbouch.com/rtfm

Please see site for usage terms,
and more aircraft documents.

