

## ENGINE, Mk.102, INSTALLATION, PORT

Part Number	Description 1 2 3 4 5 6	No. Off	Mati. Spec.	Plate No.
EG7.00.15	ENGINE, Mk.102, INSTALLATION, PORT Spares for:—	—	—	1/17
EA1.50.959	. DUCT, air, compressor bleed valve	2	—	1/4
EA1.60.5	. FIRE PROTECTION SYSTEM IN ENGINE BAY Spares for:—	—	—	1/10
150D/01/300-2	. . UNIT, fire detecting, resetting Attaching parts for 150D/01/300:—	7	—	1/20
A25/11C	. . Bolt, 2BA hex. head	2	—	1/15
A25/21C	. . Bolt, 2BA hex. head	1	—	1/18
AGS2001/C/1	. . Nut, stiff, 2BA	2	—	1/19
EA1.60.43	. . Tube, distance (as required) (Make from 30B/9611260)	1	L62	1/21
SP15/C	. . Washer, 2BA plain	2	—	1/16
EA3.50.37	. PIPE, FUEL DRAIN, ASSEMBLY (Mod.4726) Spares for:—	1	—	1/12
EA3.50.35	. . PIPE, drain	1	—	1/14
EA1.57.15	. PIPE, flexible, fuel feed to engine (Dunlop Part No.AHM541/23-16)	1	WH2/1	1/7
EA2.57.785	. PIPE, flexible, drop tank air supply (Pre-Mod.5448)	1	—	1/9
EA2.57.825	. PIPE, flexible (Mod.5448)	1	—	
EA4.61.105	. PIPE, flexible (Pre-Mod.5448)	1	—	
EA4.61.115	. PIPE, flexible (Mod.5448)	1	—	
EA3.57.33	. PIPE, assembly, from compressor coupling to nose coupling	1	—	1/5
EA1.60.57	. PIPE, flexible, fire protection system (Dunlop Part No.AHO.24508/10.75)	1	WH2/1	1/8
EA1.50.973	. RING, air duct retaining	4	L59	1/6
EA3.81.1105	. THERMO-COUPLE, ASSEMBLY Spares for:—	4	—	1/2
6A/4337977 or 6A/5452	. . THERMO-COUPLE	1	—	1/1
SLP80/WE	. . TUBE	1	—	1/3

POWER INSTALLATION  
ENGINE, Mk.102, INSTALLATION, PORT

Part Number	Description 1 2 3 4 5 6	No. Off	Mati. Spec.	Plate No.

## ENGINE, Mk.102, INSTALLATION, STARBOARD

Part Number	Description	No. Off	Matl. Spec.	Plate No.
EG7.00.16	ENGINE, Mk.102, INSTALLATION, STARBOARD Spares for:—	—	—	2/11
EA1.50.959	. DUCT, air compressor fuel valve	2	—	2/19
EA1.60.6	. FIRE, PROTECTION SYSTEM IN ENGINE BAY Spares for:—	—	—	2/14
EA1.60.51	. . BRACKET, mounting, L.H. detector unit	1	—	2/5
150D/01/300-2	. . UNIT, fire detecting, resetting Attaching parts for 150D/01/300:—	8	—	2/1
A25/1C	. . Bolt, 2BA hex. head (as required)	2	—	2/4
A25/10C	. . Bolt, 2BA hex. head (as required)	2	—	2/7
A25/11C	. . Bolt, 2BA hex. head (as required)	2	—	2/8
A25/15C	. . Bolt, 2BA hex. head (as required)	2	—	2/20
AGS2001/C/1	. . Nut, stiff, 2BA	2	—	2/3
EA1.60.43	. . Tube, distance (as required) (Make from 32B/9611260)	2	L62	2/6
AS2807/5/035	. . Tube, distance (as required)	2	T35	2/21
SP15/C	. . Washer, 2BA plain	2	—	2/2
EA3.50.37	. PIPE, FUEL DRAIN, ASSEMBLY (Mod.4726) Spares for:—	—	—	2/18
EA3.50.35	. . PIPE, fuel drain	1	—	2/16
EA1.57.16	. PIPE, flexible, fuel feed to engine (Dunlop Part No. AHM542-23-16)	1	WH2/1	2/13
EB6.57.83	. PIPE, flexible, drop tank air supply (Pre-Mod.5448)	1	—	2/9
EB6.57.351	. PIPE, flexible (Mod.5448)	1	—	—
EA1.60.58	. PIPE, flexible, fire protection system	1	—	2/12
EA1.50.973	. RING, air duct retaining	4	L59	2/10
EA3.81.1105	. THERMO-COUPLE, ASSEMBLY Spares for:—	4	—	2/23
6A/4337977 or 6A/5452	. . THERMO-COUPLE	1	—	2/22
SLP80/WE	. . TUBE	1	—	2/24

POWER INSTALLATION  
ENGINE, Mk.102, INSTALLATION, STARBOARD

Part Number	Description 1 2 3 4 5 6	No. Off	Matl. Spec.	Plate No.

2

COWLING, ENGINE, PORT

Ref. No.	Part No.	Description 1 2 3 4 5 6 7	No. off	Matl. Spec.	Cl. of Equip. M.R. L.M.	Fig. and Index
	-	COWLING, ENGINE, PORT, ASSEMBLY ..... (E.A1.50.395) Spares for:-	-	-	-	3/15
626	E.A1.50.103	CLIP, toggle, hook spring .....	2	L72	C	3/3
627	E.A1.50.105	CLIP, toggle, hook spring .....	2	L72	C	3/5
		Attaching parts for E.A1.50.103 and E.A1.50.105:-				
28D/1007979	AS.1246/1B	Bolt, 4 BA round head .....	1	-	C	3/4
28M/1278189	AGS.2001/B/1	Nut, stiff, 4 BA .....	1	-	C	3/10
28W/9419465	SP13/B	Washer, 4 BA plain .....	1	-	C	3/7
3004	E.A3.00.121	COWL, FRONT, GROUP (E.A1.50.249) ..... (Supplied undrilled and with trim allowance) Spares for:-	1	-	A	4/13
18193	E.A1.50.843	AIR INTAKE, ASSEMBLY .....	1	-	B/MR	4/6
		Spares for:-				
10699	E.A1.50.1055	COVER, plate, debris guard attachment plate .....	2	L72	C	4/11
	-	FRAME, FLANGED RING, ASSEMBLY .....	-	-	-	4/20
		(E.A1.50.1833) Spares for:-				
33250	EEAS.75	SEAL .....	1	KO99F Linatex	C	4/17
3089	E.A1.50.1673	PLATE, louvre .....	2	DTD166B	C	4/19
10702	E.A1.50.1597	SCREEN, perforated, 18 SWG .....	38	Comm. Alum.	C	4/21
26503	E.A1.50.1823	SLEEVE, exhaust outlet .....	1	-	C	4/18
6615	E.A3.00.239	BAFFLE, bleed valve air duct .....	1	-	C	4/3
		(Supplied undrilled with trim allowance)				
5208	E.A1.50.1753	DUCT, air compression, bleed valve .....	1	-	C	4/4
		Attaching parts for E.A1.50.1753:-				
1026	EEAS.1/1-1/2C	Screw, 2 BA 120° c'sk head .....	14	S96	C	4/2
4784	E.A1.50.1761	PANEL, access, for adjustment of accelerator and bleed valve control .....	3	-	C	4/16
4786	E.A1.50.1779	PANEL, access, for bleed valve adjustment .....	1	-	C	4/5
		Attaching parts for E.A1.50.1779:-				
1025	EEAS.1/1C	Screw, 2 BA 120° c'sk head .....	8	S96	C	4/1
22530	E.A1.50.1805	PANEL, access, P.V. ram .....	1	L72	B	4/7
		Attaching parts for E.A1.50.1805:-				
28D/1007975	AS.1242/1C	Bolt, 2 BA c'sk head .....	8	-	C	4/8
22531	E.A1.50.1807	PANEL, access, P.V. ram .....	1	L72	B	4/10
		Attaching parts for E.A1.50.1807:-				
28D/1007975	AS.1242/1C	Bolt, 2 BA c'sk head .....	8	-	C	4/9
		Attaching parts for E.A1.50.249:-				
1 129	E.A1.50.1051	Screw, special .....	41	S11	C	3/6

POWER INSTALLATION  
COWLING, ENGINE, PORT

Ref. No.	Part No.	Description	No. off	Matl. Spec.	Cl. of Equip. M.R. L.M.	Fig. and Index
30953	E.A3.50.23	COWL, BOTTOM, REAR (LESS U/C COWL DOOR), GROUP (For aircraft WD.951 and onwards) (Supplied drilled to Drg. No. E.A3.00.263 with trim allowance) Spares for:—	1	—	B	5/30
4178	E.A1.50.65	BRACKET, forward hinge, U/C cowl door Attaching parts for E.A1.50.65:—	1	L40	C/MR	5/51
28D/1011023	A25/20C	Bolt, 2 BA hex. head	4	—	C	5/58
28M/1006473	A27/CT	Nut, 2 BA thin	4	—	C	5/57
28W/9419475	SP15/C	Washer, 2 BA plain	4	L40	C	5/61
4171	E.A1.50.67	BRACKET, aft hinge, U/C cowl door Attaching parts for E.A1.50.67:—	1	L40	C/MR	5/7
28D/1011023	A25/20C	Bolt, 2 BA hex. head	2	—	C	5/1
28D/1011024	A25/21C	Bolt, 2 BA hex. head	2	—	C	5/2
28M/1006473	A27/CT	Nut, 2 BA thin	4	—	C	5/21
28W/9419475	SP15/C	Washer, 2 BA plain	2	—	C	5/20
28W/9419404	SP16/C	Washer, 2 BA plain	2	—	C	5/12
—	—	COWL, BOTTOM, REAR (E.A3.50.25) Spares for:—	—	—	—	5/34
5182	E.A1.50.1601	PLATE, engine oil sump drainage pipe retaining	1	—	C	5/37
37413	E.A6.50.991	SPRING, funnel, assembly, for air duct	1	—	C	5/38
3036	E.A1.50.317	DOOR, access, in bottom rear cowl	1	—	C	5/32
3038	E.A1.50.319	DOOR, undercarriage cowl (Supplied with trim allowance) Attaching parts for E.A1.50.319:—	1	—	C	5/27
28N/9153394	AGS.899/6	Collar, 5/16"	2	—	C	5/5
28P/5225	SP4Z/F10	Pin, shackle	1	—	C	5/53
28P/12348	SP4Z/F18	Pin, shackle	1	—	C	5/11
28P/1202576	SP90/C7	Pin, split	2	—	C	5/4
639	E.A1.50.365	Washer	2	L46	C	5/3
28FP/4062396	FJ5/60DS	FASTENER, dzus	4	—	C	5/16
28FP/4062396	FJ.5/70DS	FASTENER, dzus	4	—	C	5/17
28FP/4062400	FJ.5/80DS	FASTENER, dzus	2	—	C	5/18
633	E.A1.50.281	FASTENER, TOGGLE, GROUP Spares for:—	2	—	C	5/9
16312	E.A1.50.95	HANDLE, TOGGLE FASTENER, GROUP Spares for:—	1	—	C/MR	5/15
29H/4100	TERRY 169/1	RING, split	1	—	C	5/24

POWER INSTALLATION

COWLING, ENGINE, PORT

Part Number	Description	No. Off	Mati. Spec.	Plate No.
EA1.50.49	. . . . . SPRING	1	Spring Steel	5/23
	Attaching parts for EA1.50.95:			
EA1.50.155	. . . . . Pin, stud, special	2	S11	5/13
SP90/C7	. . . . . Pin, split	2	-	5/14
EA1.50.282	. . . FASTENER, TOGGLE, GROUP	2	-	5/10
	Spares for this group are identical with those for Part No.EA1.50.281 on page LB2			
EA1.50.283	. . . FASTENER, TOGGLE, GROUP	1	-	5/55
	Spares for:			
EA1.50.97	. . . . . HANDLE, TOGGLE FASTENER, GROUP	1	-	5/60
	Spares for:			
TERRY 169/1	. . . . . RING, split	1	-	5/59
EA1.50.49	. . . . . SPRING	1	Spring Steel	5/54
	Attaching parts for EA1.50.97:			
EA1.50.157	. . . . . Pin, stud, special	2	S11	5/48
SP90/E4	. . . . . Pin, split	2	-	5/49
EA1.50.284	. . . FASTENER, TOGGLE, GROUP	1	-	5/56
	Spares for this group are identical with those for Part No.EA1.50.283			
EA1.50.161	. . . PANEL, toggle fastener housing	6	-	5/36
EA1.50.1639	. . . ROD, TENSION, AND CHECK CABLE, ASSEMBLY (Pre Mod.5178)	1	-	5/40
EA3.50.43	. . . ROD, TENSION, AND CHECK CABLE, ASSEMBLY (Mod.5178)	1	-	
	Spares for:			
A25/3C	. . . . . BOLT, 2BA	1	-	5/50
EA1.50.1641	. . . . . CABLE, check, assembly (Pre Mod.5178)	1	-	5/45
EA3.50.39	. . . . . CABLE, check, assembly (Mod.5178)	1	-	
	Spares for:			
C2	. . . . . FERRULE, 'TALURIT' (Mod.5178)	2	-	5/65
EA1.50.1645	. . . . . ROPE, steel wire (Pre Mod.5178)	AR	-	5/66
4PNC	. . . . . ROPE, steel wire (Mod.5178)	AR	-	
SP67A	. . . . . THIMBLE (Mod.5178)	2	-	5/67
EA1.50.721	. . . . . SPOOL (Pre Mod.5178)	2	-	
SP3/Y/413	. . . . . FORK, joint	1	-	5/44
SP3/Y/413L	. . . . . FORK, joint	1	-	5/46
A27/CP	. . . . . NUT, 2BA plain (Pre Mod.5178)	1	-	5/39
A27/CS	. . . . . NUT, 2BA plain (Mod.5178)	1	-	
A14/CB	. . . . . NUT, 2BA (Pre Mod.5178)	1	-	5/42
A27/CP	. . . . . NUT, 2BA (Mod.5178)	1	-	
A14/CBL	. . . . . NUT, 2BA (Pre Mod.5178)	1	-	5/47
A27/CPL	. . . . . NUT, 2BA (Mod.5178)	1	-	
SP90/C5	. . . . . PIN, split	1	-	5/64
SP/8Y2	. . . . . ROD, tension	1	-	5/41
EA3.50.45	. . . . . SPACER (Mod.5178)	1	-	5/63
EA3.50.47	. . . . . WASHER (Mod.5178)	1	-	5/43
S5-325	. . . . . SPRING, dzus	6	-	5/62
EA1.50.1793	. . . . . WASHER, cup, engine cowling dzus fastener retaining	10	DTD124A	5/19
	Attaching parts for EA3.50.23:			
EEAS1/1-1/2C	. . . . . Screw, 2BA 120° c'sk head	10	S96	3/21

R

POWER INSTALLATION  
COWLING, ENGINE, PORT

Part Number	Description	No. Off	Mati. Spec.	Plate No.
EA1.50.845	. COWL, TOP, REAR, GROUP For aircraft WD951 and onwards, supplied drilled and with trim allowance to Part No.EA3.00.127 Spares for:	1	-	5/25
EA1.50.161	. . . DOOR, toggle fastener housing	8	-	5/6
EA1.50.315	. . . DOOR, access, igniter plug	2	-	5/29
EA1.50.281	. . . FASTENER, TOGGLE, GROUP Spares for:	2	-	5/9
EA1.50.95	. . . HANDLE, TOGGLE FASTENER, GROUP Spares for:	1	-	5/15
TERRY 169/1	. . . . RING, split	1	-	5/24
EA1.50.49	. . . . SPRING	1	Spring Steel	5/23
	Attaching parts for EA1.50.95:			
EA1.50.155	. . . Pin, stud, special	2	S11	5/13
SP90/C7	. . . Pin, split	2	-	5/14
EA1.50.282	. . FASTENER, TOGGLE, GROUP Spares for this group are identical with those for Part No.EA1.50.281	2	-	5/10
EA1.50.283	. . FASTENER, TOGGLE, GROUP Spares for:	2	-	5/55
EA1.50.97	. . . HANDLE, TOGGLE, FASTENER, GROUP Spares for:	1	-	5/60
TERRY 169/1	. . . . RING, split	1	-	5/59
EA1.50.49	. . . . SPRING	1	Spring Steel	5/54
	Attaching parts for EA1.50.97:			
EA1.50.157	. . . Pin, stud, special	2	S11	5/48
SP90/E4	. . . Pin, split	2	-	5/49
EA1.50.284	. . FASTENER, TOGGLE, GROUP Spares for this group are identical with those for Part No.EA1.50.283	2	-	5/56
FJ5/60DS	. . FASTENER, dzus	4	-	5/16
FJ5/70DS	. . FASTENER, dzus.	4	-	5/17
FJ5/80DS	. . FASTENER, dzus	2	-	5/18
S5/325	. . SPRING, dzus	8	-	5/22
EA1.50.1793	. . WASHER, cup, engine cowling dzus fastener retaining	10	DTD124A	5/19
EA1.50.109	. FORK-END, fitting, toggle fastener Attaching parts for EA1.50.109:	2	S11	3/28
SP4Y/D6	. Pin, shackle	1	-	3/29
EA1.50.135	. FORK-END, fitting, toggle fastener Attaching parts for EA1.50.135:	6	L40	3/18
SP4Y/D6	. Pin, shackle	1	-	3/20

COWLING, ENGINE, PORT

Part Number	Description	No. Off	Mati. Spec.	Plate No.
EA1.50.137	. FORK-END, fitting, toggle fastener Attaching parts for EA1.50.137:—	8	L40	3/22
SP4Y/F10	. Pin, shackle	1	—	3/23
EA1.50.391	. FORK-END, fitting, toggle fastener Attaching parts for EA1.50.391:—	1	L40	3/1
SP4Y/D10	. Pin, shackle	1	—	3/2
EA1.50.29	. HOOK, cowl, toggle fastener	8	S11	3/30
EA1.50.45	. HOOK, cowl, toggle fastener	10	S11	3/11
EA1.50.13	. PANEL, ENGINE SERVICE, GROUP Spares for:—	1	—	4/23
EA1.50.161	. . . DOOR, toggle fastener housing	4	—	4/22
EA1.50.283	. . . FASTENER, TOGGLE, GROUP Spares for:—	2	—	4/32
EA1.50.97	. . . HANDLE, TOGGLE, FASTENER, GROUP Spares for:—	1	—	4/31
TERRY 169/1	. . . . RING, split	1	—	4/35
EA1.50.49	. . . . SPRING	1	Spring Steel	4/30
	Attaching parts for EA1.50.97:—			
EA1.50.157	. . . Pin, stud, special	2	S11	4/29
SP90/E4	. . . Pin, split	2	—	4/28
EA1.50.284	. . . FASTENER, TOGGLE, GROUP Spares for this group are identical with those for Part No. EA1.50.283	2	—	4/26
—	. . . PANEL, SERVICE, ASSEMBLY (EA1.50.291) Spares for:—	—	—	4/33
EA6.50.283	. . . . DUCT, ventilating	2	—	4/32
R EA1.50.293	. . . . FRAME 2A, engine assembly Spares for:—			
R EE11/2	. . . . EXTRUSION (SAS4769) Attaching parts for EE11/2:—	QR	—	4/36
R EC1099	. . . . Adhesive (SAS4769)	QR	—	
EB7.50.37	. . . . OUTLET, WHEEL CASE BREATHER, ASSEMBLY Spares for:—	1	—	4/27
EB7.50.41	. . . . RING, sealing	1	Besto-bell	4/25
EA1.50.393	. PIN, turbine starter exhaust pipe locating	2	DTD126	4/12
EA3.50.21	. PIPE, engine starter exhaust	2	—	4/15
EA1.50.111	. ROD-END, fitting, toggle fastener Attaching parts for EA1.50.111:—	1	L40	3/12
SP4Y/D15	. Pin, shackle	1	—	3/14
EA1.50.119	. ROD, toggle fastener	4	S11	3/25
EA1.50.121	. ROD, toggle fastener	1	S11	3/13

## POWER INSTALLATION

## COWLING, ENGINE, PORT

Part Number	Description	No. Off	Mati. Spec.	Plate No.
EA1.50.123	. ROD, toggle fastener	1	S11	3/9
EA1.50.125	. ROD, toggle fastener	2	S11	3/19
EA1.50.129	. ROD, toggle fastener	4	S96	3/26
EA1.50.131	. ROD, toggle fastener	2	S96	3/24
EA1.50.133	. ROD, toggle fastener	2	S96	3/27
EEAS.1/8E	. SCREW, 1/4" BSF 120° c'sk head	2	S96	3/17
EA1.50.101	. SPRING, toggle hook tension	4	Spring Steel	3/8

COWLING, ENGINE, STARBOARD

Ref. No.	Part No.	Description 1 2 3 4 5 6 7	No. off	Matl. Spec.	Cl. of Equip. M.R. L.M.	Fig. and Index
	—	COWLING, ENGINE, STARBOARD, . . . . . ASSEMBLY (E.A1.50.396) Spares for:—	—	—	—	3/16
626	E.A1.50.103	CLIP, toggle, hook spring . . . . .	2	L72	C	3/3
627	E.A1.50.105	CLIP, toggle, hook spring . . . . .	2	L72	C	3/5
		Attaching parts for E.A1.50.103 and E.A1.50.105:—				
28D/1007979	AS1246/1B	Bolt, 4 BA round head . . . . .	1	—	C	3/4
28M/1278189	AGS.2001/B/1	Nut, stiff, 4 BA . . . . .	1	—	C	3/10
28W/9419465	SP13/B	Washer, 4 BA plain . . . . .	1	—	C	3/7
3005	E.A3.00.122	COWL, FRONT, GROUP (E.A1.50.250) . . . . . (Supplied undrilled and with trim allowance) Spares for:—	1	—	A	4/14
18193	E.A1.50.843	AIR, INTAKE, ASSEMBLY . . . . . Spares for:—	1	—	B/MR	4/6
10699	E.A1.50.1055	COVER, plate, debris guard attachment plate . . . . .	2	L72	C	4/11
	—	FRAME, FLANGED RING, ASSEMBLY . . . . . (E.A1.50.1833) Spares for:—	—	—	—	4/20
33250	EEAS.75	SEAL . . . . .	1	KO99F Linatex	C	4/17
3089	E.A1.50.1673	PLATE, louvre . . . . .	2	DTD166B	C	4/19
10702	E.A1.50.1597	SCREEN, perforated . . . . .	38	Comm. Alum.	C	4/21
26503	E.A1.50.1823	SLEEVE, exhaust outlet . . . . .	1	—	C	4/18
6615	E.A3.00.239	BAFFLE, bleed valve air duct . . . . . (Supplied undrilled with trim allowance)	1	—	C	4/3
5208	E.A1.50.1753	DUCT, air compression, bleed valve . . . . .	1	—	C	4/4
		Attaching parts for E.A1.50.1753:—				
1026	EEAS.1/1-1/2C	Screw, 2 BA 120° c'sk head . . . . .	14	S96	C	4/2
4784	E.A1.50.1761	PANEL, access, for adjustment of accelerator and . . . . . bleed valve control	3	—	C	4/16
4786	E.A1.50.1779	PANEL, access, for bleed valve adjustment . . . . .	1	—	C	4/5
		Attaching parts for E.A1.50.1779:—				
1025	EEAS.1/1C	Screw, 2 BA 120° c'sk head . . . . .	8	S96	C	4/1
22530	E.A1.50.1805	PANEL, access, P.V. ram . . . . .	1	L72	C	4/7
		Attaching parts for E.A1.50.1805:—				
28D/1007975	AS.1242/1C	Bolt, 2 BA c'sk head . . . . .	8	—	C	4/8
22531	E.A1.50.1807	PANEL, access, P.V. ram . . . . .	1	L72	C	4/10
		Attaching parts for E.A1.50.1807:—				
28D/1007975	AS.1242/1C	Bolt, 2 BA c'sk head . . . . .	8	—	C	4/9
		Attaching parts for E.A1.50.250:—				
1129	E.A1.50.1051	Screw, special . . . . .	41	S11	C	3/6

POWER INSTALLATION

COWLING, ENGINE, STARBOARD

Ref. No.	Part No.	Description	No. off	Matl. Spec.	Cl. of Equip. M.R. L.M.	Fig. and Index
30954	E.A3.50.24	COWL, BOTTOM, REAR (LESS U/C COWL DOOR), GROUP (For aircraft WD.951 and onwards, supplied drilled to Part No. E.A3.00.264 with trim allowance) Spares for:—	1	—	B	5/31
4143	E.A1.50.66	BRACKET, forward hinge U/C cowl door Attaching parts for E.A1.50.66:—	1	L40	C/MR	5/52
28D/1011023	A25/20C	Bolt, 2 BA hex. head	4	—	C	5/58
28M/1006473	A27/CT	Nut, 2 BA thin	4	—	C	5/57
28W/9419475	SP15/C	Washer, 2 BA plain	4	—	C	5/61
4144	E.A1.50.68	BRACKET, aft hinge U/C cowl door Attaching parts for E.A1.50.68:—	1	L40	C/MR	5/8
28D/1011023	A25/20C	Bolt, 2 BA hex. head	2	—	C	5/1
28D/1011024	A25/21C	Bolt, 2 BA hex. head	2	—	C	5/2
28M/1006473	A27/CT	Nut, 2 BA hex. head	4	—	C	5/21
28W/9419475	SP15/C	Washer, 2 BA plain	2	—	C	5/20
28W/9419404	SP16/C	Washer, 2 BA plain	2	—	C	5/12
—	—	COWL, BOTTOM, REAR (E.A3.50.26) Spares for:—	—	—	—	5/35
5182	E.A1.50.1601	PLATE, engine oil sump drainage pipe retaining	1	—	C	5/37
37413	E.A6.50.991	SPRING, funnel, assembly, for air duct	1	—	C	5/38
3037	E.A1.50.318	DOOR, access, in bottom rear cowl	1	—	C	5/33
3039	E.A1.50.320	DOOR, undercarriage cowl (Supplied with trim allowance) Attaching parts for E.A1.50.320:—	1	—	C	5/28
28N/9153394	AGS.899/6	Collar, 5/16"	2	—	C	5/5
28P/5525	SP4Z/F10	Pin, shackle	1	—	C	5/53
28P/12348	SP4Z/F18	Pin, shackle	1	—	C	5/11
28P/9527169	SP90/C7	Pin, split	2	—	C	5/4
639	E.A1.50.365	Washer	2	L46	C	5/3
28FP/4062396	FJ.5/60DS	FASTENER, dzus	4	—	C	5/16
28FP/4062398	FJ.5/70DS	FASTENER, dzus	4	—	C	5/17
28FP/4062400	FJ.5/80DS	FASTENER, dzus	2	—	C	5/18
633	E.A1.50.281	FASTENER, TOGGLE, GROUP Spares for:—	2	—	C	5/9
16312	E.A1.50.95	HANDLE, TOGGLE FASTENER, GROUP Spares for:—	1	—	C/MR	5/15
29H/4100	TERRY 169/1	RING, split	1	—	C	5/24

POWER INSTALLATION  
COWLING, ENGINE, STARBOARD

Part Number	Description	No. Off	Mati. Spec.	Plate No.
EA1.50.49	. . . . SPRING Attaching parts for EA1.50.95:	1	Spring Steel	5/23
EA1.50.155	. . . Pin, stud, special	2	S11	5/13
SP90/C7	. . . Pin, split	2	-	5/14
EA1.50.282	. . FASTENER, TOGGLE, GROUP Spares for this group are identical with those for Part No.EA1.50.281 on page LC2	2	-	5/10
EA1.50.283	. . FASTENER, TOGGLE, GROUP Spares for:	1	-	5/55
EA1.50.97	. . . HANDLE, TOGGLE FASTENER, GROUP Spares for:	1	-	5/60
TERRY 169/1	. . . . RING, split	1	-	5/59
EA1.50.49	. . . . SPRING	1	Spring Steel	5/54
EA1.50.157	. . . Pin, stud, special	2	S11	5/48
SP90/E4	. . . Pin, split	2	-	5/49
EA1.50.284	. . FASTENER, TOGGLE, GROUP Spares for this group are identical with those for Part No.EA1.50.283	1	-	5/56
EA1.50.161	. . PANEL, toggle, fastener housing	6	-	5/36
EA1.50.1639	. . ROD, TENSION, AND CHECK CABLE, ASSEMBLY (Pre Mod.5178)	1	-	5/40
EA3.50.43	. . ROD, TENSION, AND CHECK CABLE, ASSEMBLY (Mod.5178) Spares for:	1	-	
A25/3C	. . . . BOLT, 2BA	1	-	5/50
EA1.50.1641	. . . CABLE, check assembly (Pre Mod.5178)	1	-	5/45
EA3.50.39	. . . CABLE, check assembly (Mod.5178) Spares for:	1	-	
C2	. . . . FERRULE, 'Talurit' (Mod.5178)	2	-	5/65
EA1.50.1645	. . . . ROPE, steel wire (Pre Mod.5178)	AR	-	5/66
4PNC	. . . . ROPE, steel wire (Mod.5178)	AR	-	
EA1.50.721	. . . . SPOOL (Pre Mod.5178)	2	-	5/67
SP3/Y/413	. . . FORK, joint	1	-	5/44
SP3/Y/413L	. . . FORK, joint	1	-	5/46
A27/CP	. . . NUT, 2BA plain (Pre Mod 5178)	1	-	5/39
A27/CS	. . . NUT, 2BA plain (Mod.5178)	1	-	
A14/CB	. . . NUT, 2BA (Pre Mod.5178)	1	-	5/42
A27/CP	. . . NUT, 2BA (Mod.5178)	1	-	
A14/CBL	. . . NUT, 2BA (Pre Mod.5178)	1	-	5/47
A27/CPL	. . . NUT, 2BA (Mod.5178)	1	-	
SP90/C5	. . . PIN, split	1	-	5/64
SP/8Y2	. . . ROD, tension	1	-	5/41
EA3.50.45	. . . SPACER (Mod.5178)	1	-	5/63
EA3.50.47	. . . WASHER (Mod.5178)	1	-	5/43
S5/325	. . SPRING, dzus	6	-	5/62
EA1.50.1793	. . WASHER, cup, engine cowling dzus fastener retaining Attaching parts for EA3.50.24:	10	DTD124A	5/19
EEAS1/1-1/2C	. Screw, 2BA c'sk head	10	S96	3/21

R

POWER INSTALLATION  
COWLING, ENGINE, STARBOARD

Part Number	Description	No. Off	Matl. Spec.	Plate No.
EA1.50.846	. COWL, TOP REAR, GROUP (For aircraft WD951 and onwards, supplied drilled with trim allowance to Part No.EA3.00.128) Spares for:	1	—	5/26
EA1.50.161	. . . DOOR, toggle fastener housing	8	—	5/6
EA1.50.315	. . . DOOR, access, igniter plug	2	—	5/29
EA1.50.281	. . . FASTENER, TOGGLE, GROUP Spares for:	2	—	5/9
EA1.50.95	. . . HANDLE, TOGGLE FASTENER, GROUP Spares for:	1	—	5/15
TERRY 169/1	. . . . RING, split	1	—	5/24
EA1.50.49	. . . . SPRING, 19 SWG	1	Spring Steel	5/23
EA1.50.155	Attaching parts for EA1.50.95: . . . Pin, stud, special	2	S11	5/13
SP90/C7	. . . Pin, split	2	—	5/14
EA1.50.282	. . . FASTENER, TOGGLE, GROUP Spares for this group are identical with those for Part No.EA1.50.281	2	—	5/10
EA1.50.283	. . . FASTENER, TOGGLE, GROUP Spares for:	2	—	5/55
EA1.50.97	. . . HANDLE, TOGGLE FASTENER, GROUP Spares for:	1	—	5/60
TERRY 169/1	. . . . RING, split	1	—	5/59
EA1.50.49	. . . . SPRING, 19 SWG	1	Spring Steel	5/54
EA1.50.157	Attaching parts for EA1.50.97: . . . Pin, stud, special	2	S11	5/48
SP90/E4	. . . Pin, split	2	—	5/49
EA1.50.284	. . . FASTENER, TOGGLE, GROUP Spares for this group are identical with those for Part No.EA1.50.283	2	—	5/56
FJ5/60DS	. . . FASTENER, dzus	4	—	5/16
FJ5/70DS	. . . FASTENER, dzus	4	—	5/17
FJ5/80DS	. . . FASTENER, dzus	2	—	5/18
S5/325	. . . SPRING, dzus	8	—	5/22
EA1.50.1793	. . . WASHER, cup, engine cowling dzus fastener retaining	10	DTD124A	5/19
EA1.50.109	. FORK-END, fitting, toggle fastener Attaching parts for EA1.50.109:	2	S11	3/28
SP4Y/D6	. Pin, shackle	1	—	3/29
EA1.50.135	. FORK-END, fitting, toggle fastener Attaching parts for EA1.50.135:	6	L40	3/18
SP4Y/D6	. Pin, shackle	1	—	3/20

## COWLING, ENGINE, STARBOARD

Part Number	Description	No. Off	Matl. Spec.	Plate No.
EA1.50.137	. FORK-END, fitting, toggle fastener Attaching parts for EA1.50.137:—	8	L40	3/22
SP4Y/F10	. Pin, shackle	1	—	3/23
EA1.50.391	. FORK-END, fitting, toggle fastener Attaching parts for EA1.50.391:—	1	L40	3/1
SP4Y/D10	. Pin, shackle	1	—	3/2
EA1.50.29	. HOOK, cowl, toggle fastener	8	S11	3/30
EA1.50.45	. HOOK, cowl, toggle fastener	10	S11	3/11
EA1.50.14	. PANEL, ENGINE SERVICE, GROUP Spares for this group are identical with those for port group Ref. No. 3040 on page LB5, except for the following deletion and addition Delete:—	1	—	4/24
—	. . . PANEL, SERVICE, ASSEMBLY (EA1.50.291) Add:—	—	—	4/33
—	. . . PANEL, SERVICE, ASSEMBLY (EA1.50.292) Spares for this assembly are identical with those for assembly EA1.50.291 on page LB5, except for the following deletion and addition Delete:—	—	—	4/34
R EA1.50.293	. . . FRAME 2A, engine assembly Add:—	—	—	
R EA1.50.294	. . . FRAME 2A, engine assembly	—	—	
EA1.50.393	. PIN, turbine starter exhaust pipe locating	2	DTD126	4/12
EA3.50.21	. PIPE, engine starter exhaust	2	—	4/15
EA1.50.111	. ROD-END, fitting, toggle fastener Attaching parts for EA1.50.111:—	1	L40	3/12
SP4Y/D15	. Pin, shackle	1	—	3/14
EA1.50.119	. ROD, toggle fastener	4	S11	3/25
EA1.50.121	. ROD, toggle fastener	1	S11	3/13
EA1.50.123	. ROD, toggle fastener	1	S11	3/9
EA1.50.125	. ROD, toggle fastener	2	S11	3/19
EA1.50.129	. ROD, toggle fastener	4	S96	3/26
EA1.50.131	. ROD, toggle fastener	2	S96	3/24
EA1.50.133	. ROD, toggle fastener	2	S96	3/27
EEAS.1/8E	. SCREW, 1/4" BSF 120° c'sk head	2	S96	3/17
EA1.50.101	. SPRING, toggle hook tension	1	Spring Steel	3/8

POWER INSTALLATION  
COWLING, ENGINE, STARBOARD

Part Number	Description 1 2 3 4 5 6	No. Off	Matl. Spec.	Plate No.

## POWER INSTALLATION

## ENGINE MOUNTINGS AND ATTACHMENTS, PORT

Part Number	Description	No. Off	Mati. Spec.	Plate No.
-	ENGINE MOUNTINGS AND ATTACHMENTS, PORT, ASSEMBLY (EA1.51.1)	-	-	6/31
	Spares for:-			
EA1.51.17	. BEARING, spherical, seating, rear engine mounting	2	S11	6/40
R EA1.51.211	. BRACKET, ENGINE MOUNTING, REAR, ASSEMBLY (Mod.5045)	1	-	6/28
	Consisting of:-			
R EK5.51.611	. . BRACKET, mounting (Mod.5045)	1	-	6/42
R EA1.51.215	. . CAP, retaining, spherical bearing (Mod.5045)	1	-	6/33
	Attaching parts for EA1.51.215:-			
R A27/JS	. . Nut, slotted, $\frac{3}{8}$ " BSF	1	-	6/50
R A27/LS	. . Nut, slotted, $\frac{7}{16}$ " BSF	1	-	6/51
R SP90/C8	. . Pin, split	1	-	6/52
R SP90/C9	. . Pin, split	1	-	6/53
R SP122/J	. . Washer, $\frac{3}{8}$ " dia.	1	-	6/54
R SP122/L	. . Washer, $\frac{7}{16}$ " dia.	1	-	6/55
R EA1.51.213	. . STUD (Mod.5045)	1	-	6/39
R EA1.51.15	. . STUD (Mod.5045)	1	-	6/49
	Attaching parts for EA1.51.15 and EA1.51.213:-			
R EA1.51.207	. . Screw, grub	1	S11	6/44
	Attaching parts for EA1.51.211			
R A25/8G	. Bolt, 5/16" BSF hex. head	6	-	6/35
R A27/GP	. Nut, 5/16" BSF plain	6	-	6/37
R EA1.51.209	. Shim (if required)	2	-	6/41
R SP15/G	. Washer, 5/16" BSF plain	6	-	6/36
R EA1.51.212	. BRACKET, ENGINE MOUNTING, REAR, ASSEMBLY (Mod.5045)	1	-	6/29
	Consisting of:-			
R EK5.51.612	. . BRACKET, mounting (Mod.5045)	1	-	6/43
R EA1.51.215	. . CAP, retaining, spherical bearing (Mod.5045)	1	-	6/33
	Attaching parts for EA1.51.215:-			
R A27/JS	. . Nut, slotted, $\frac{3}{8}$ " BSF	1	-	6/50
R A27/LS	. . Nut, slotted, $\frac{7}{16}$ " BSF	1	-	6/51
R SP90/C8	. . Pin, split	1	-	6/52
R SP90/C9	. . Pin, split	1	-	6/53
R SP122/J	. . Washer, $\frac{3}{8}$ " dia.	1	-	6/54
R SP122/L	. . Washer, $\frac{7}{16}$ " dia.	1	-	6/55
R EA1.51.213	. . STUD (Mod.5045)	1	-	6/39
R EA1.51.15	. . STUD (Mod.5045)	1	-	6/49
	Attaching parts for EA1.51.15 and EA1.51.213:-			
R EA1.51.207	. . Screw, grub	1	S11	6/44
	Attaching parts for EA1.51.212			
R A25/8G	. Bolt, 5/16" BSF hex. head	6	-	6/35
R A27/GP	. Nut, 5/16" BSF plain	6	-	6/37
R EA1.51.209	. Shim (if required)	2	-	6/41
R SP15/G	. Washer, 5/16" BSF plain	6	-	6/36

## POWER INSTALLATION

## ENGINE MOUNTINGS AND ATTACHMENTS, PORT

Part Number	Description	No. Off	Matl. Spec.	Plate No.
EA1.51.229	MOUNTING, ENGINE, FORWARD, INBOARD, ASSEMBLY (Mod 5048) Spares for:—	1	—	6/19
EA1.51.33	. . BOLT, shouldered, engine mounting	1	S11	6/26
EA1.51.225	. . BRACKET, engine mounting (Mod 5048) (Pre Mod 5240) (PORT)	1	BAC.M44	6/16
EA1.51.233	. . BRACKET, engine mounting (Mod 5240) (PORT)	1	—	
EA1.51.45	. . FORK-END, for tie rod	1	S96	6/27
EA1.51.27	. . NUT, locking, plug retaining	1	L40	6/2
A27/PT	. . NUT, locking 9/16" BSF	1	—	6/27A
A27/JS	. . NUT, slotted 3/8" BSF	1	—	6/56
SP90/C/7	. . PIN, split	1	—	6/57
EA1.51.25	. . PLUG, retaining, tie rod ball end	1	L40	6/8
EA1.51.43	. . ROD, tie, adjustable, spherical end	1	S65	6/24
SP16/J	. . WASHER, 3/8" Dia.	1	—	6/58
	Attaching parts for EA1.51.229:—			
EA1.51.37	. Bolt, eye, lower, engine bracket and control bracket mounting	1	S11	6/23
EA1.51.39	. Bolt, eye, upper, engine bracket and control bracket mounting	1	S11	6/10
EEAS222/11G	. Bolt, 5/16" BSF hex. head	2	—	6/15
A27/GP	. Nut, 5/16" BSF	2	—	6/22
A27/GS	. Nut, slotted, 5/16" BSF	2	—	6/11
SP90/C7	. Pin, split	2	—	6/45
AP125/G	. Washer, 5/16" plain	4	—	6/12
EA1.51.231	MOUNTING, ENGINE, FORWARD, OUTBOARD, ASSEMBLY (Mod 5048) Spares for:—	1	—	6/3
EA1.51.33	. . BOLT, shouldered, engine mounting	1	S11	6/25
EA1.51.227	. . BRACKET, engine mounting (Mod 5048)	1	BAC.M44	6/13
EA1.51.45	. . FORK-END, for tie rod	1	S96	6/21
EA1.51.27	. . NUT, locking, plug retaining	1	L40	6/9
A27/PT	. . NUT, locking, 9/16" BSF	1	—	6/27A
A27/JS	. . NUT, slotted, 3/8" BSF	1	—	6/59
SP90/C7	. . PIN, split	1	—	6/60
EA1.51.25	. . PLUG, retaining, tie rod ball end	1	L40	6/7
EA1.51.43	. . ROD, tie, adjustable, spherical, end	1	S65	6/18
SP16/J	. . WASHER	1	—	6/61
	Attaching parts for EA1.51.231:—			
EEAS222/11G	. Bolt, 5/16" BSF hex. head	3	—	6/5
EEAS222/12G	. Bolt, hex. head, 5/16" BSF	1	—	6/46
A58/GS	. Nut, slotted, 5/16" BSF	1	—	6/47
SP90/C7	. Pin, split	1	—	6/48
SP125/G	. Washer, 5/16" plain	4	—	6/1
EA1.51.19	. PIN, spherical bearing, rear inboard, bracket retaining	1	S11	6/38

A.P.101B-0417-3A

## POWER INSTALLATION

## ENGINE MOUNTINGS AND ATTACHMENTS, STARBOARD

Part Number	Description	No. Off	Matl. Spec.	Plate No.
-	ENGINE MOUNTINGS AND ATTACHMENTS, STARBOARD, ASSEMBLY (EA1.51.2) Spares for:-	-	-	6/32
EA1.51.17	. BEARING, spherical, seating, rear, engine mounting	2	S21	6/40
EA1.51.211	. BRACKET, ENGINE MOUNTING, REAR, ASSEMBLY (MOD.5045) Consisting of:-	1	-	6/28
EK5.51.611	. . BRACKET, mounting (Mod.5045)	1	-	6/42
EA1.51.215	. . CAP, retaining, spherical bearing (Mod.5045) Attaching parts for EA1.51.215:-	1	-	6/33
A27/JS	. . Nut, slotted, $\frac{3}{8}$ " BSF	1	-	6/50
A27/LS	. . Nut, slotted, $\frac{7}{16}$ " BSF	1	-	6/51
SP90/C8	. . Pin, split	1	-	6/52
SP90/C9	. . Pin, split	1	-	6/53
SP122/J	. . Washer, $\frac{3}{8}$ " dia.	1	-	6/54
SP122/L	. . Washer, $\frac{7}{16}$ " dia.	1	-	6/55
EA1.51.213	. . STUD (Mod.5045)	1	-	
EA1.51.15	. . STUD (Mod.5045) Attaching parts for EA1.51.15 and EA1.51.213:-	1	-	
EA1.51.207	. . Screw, grub Attaching parts for EA1.51.211	1	S11	6/44
A25/8G	. Bolt, 5/16" BSF hex. head	6	-	6/35
A27/GP	. Nut, 5/16" BSF plain	6	-	6/37
EA1.51.209	. Shim (if required)	21	-	6/41
SP15/G	. Washer, 5/16" BSF plain	6	-	6/36
EA1.51.212	. BRACKET, ENGINE MOUNTING, REAR, ASSEMBLY (MOD.5045) Consisting of:-	1	-	6/29
EK5.51.612	. . BRACKET, mounting (Mod.5045)	1	-	6/43
EA1.51.215	. . CAP, retaining, spherical bearing (Mod.5045) Attaching parts for EA1.51.215:-	1	-	6/33
A27/JS	. . Nut, slotted, $\frac{3}{8}$ " BSF	1	-	6/50
A27/LS	. . Nut, slotted, $\frac{7}{16}$ " BSF	1	-	6/51
SP90/C8	. . Pin, split	1	-	6/52
SP90/C9	. . Pin, split	1	-	6/53
SP122/J	. . Washer, $\frac{3}{8}$ " dia.	1	-	6/54
SP122/L	. . Washer, $\frac{7}{16}$ " dia.	1	-	6/55
EA1.51.213	. . STUD (Mod.5045)	1	-	6/39
EA1.51.15	. . STUD (Mod.5045) Attaching parts for EA1.51.15 and EA1.51.213	1	-	6/49
EA1.51.207	. . Screw, grub Attaching parts for EA1.51.212	1	S11	6/44
A25/8G	. Bolt, 5/16" BSF hex. head	6	-	6/35
A27/GP	. Nut, 5/16" BSF plain	6	-	6/37
EA1.51.209	. Shim (if required)	2	-	6/41
SP15/G	. Washer, 5/16" BSF plain	6	-	6/36



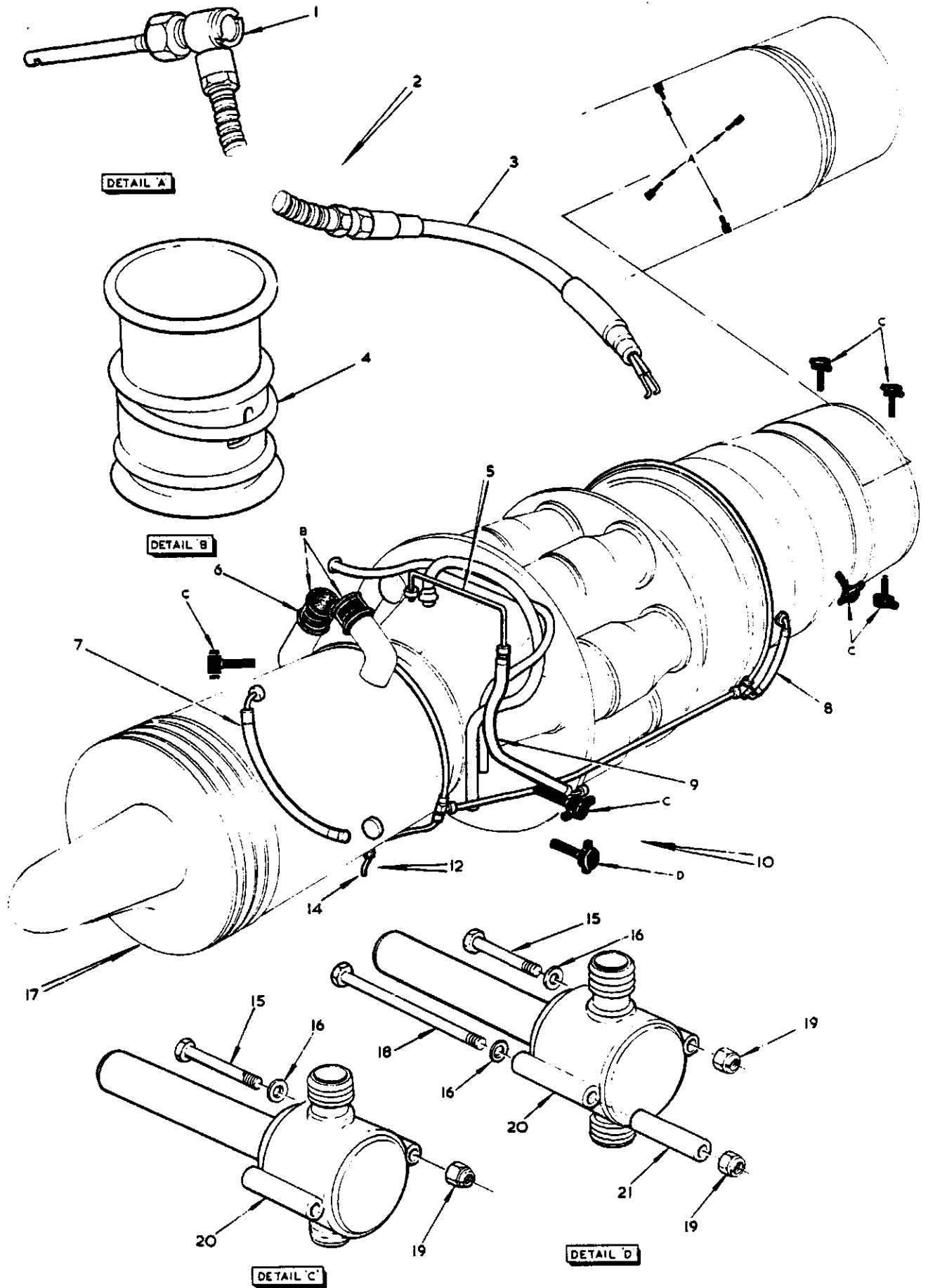


FIG.1 ENGINE MK.102 INSTALLATION, PORT



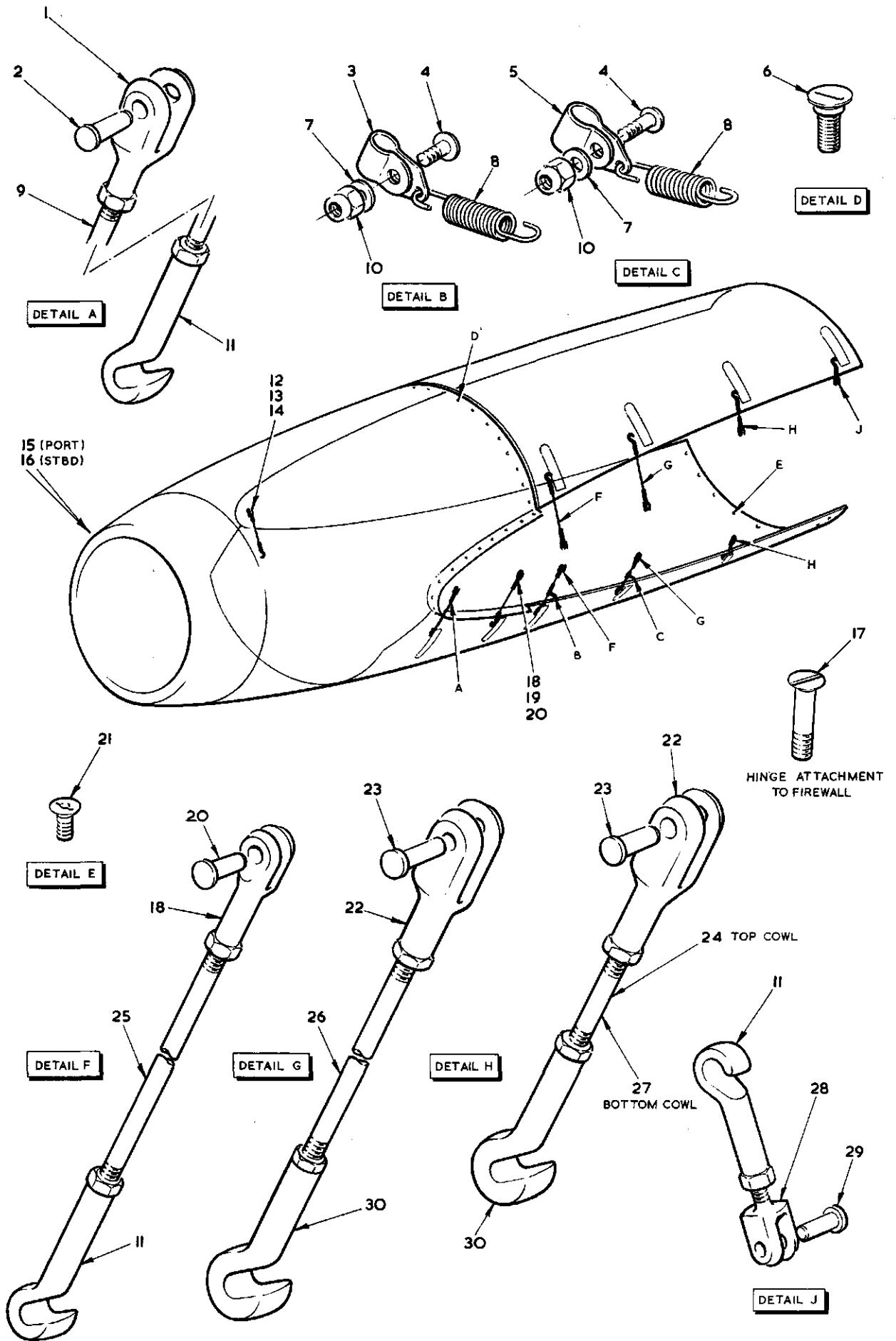


FIG 3 COWLING ENGINE PORT & STARBOARD Restricted

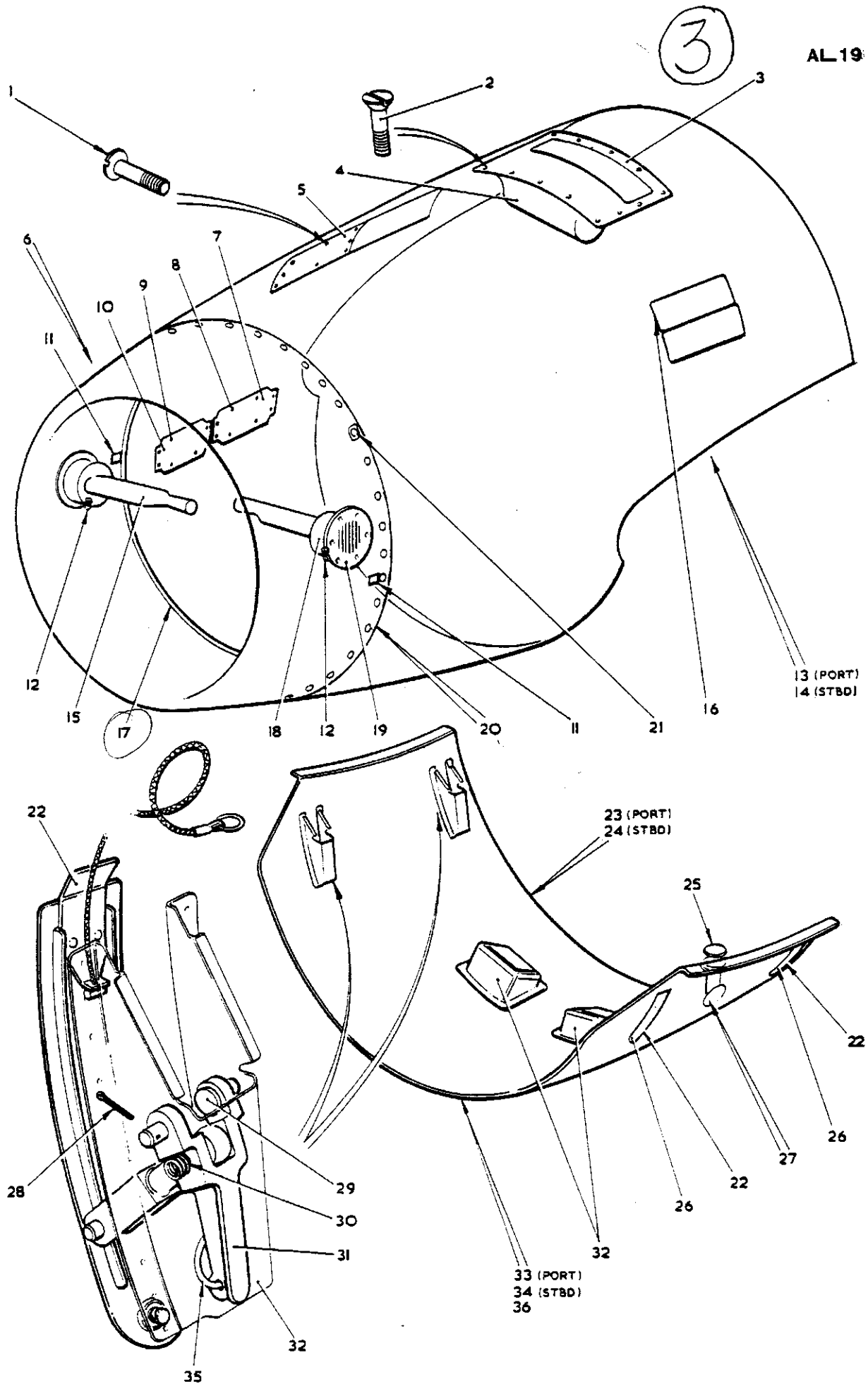


FIG.4 COWLING ENGINE PORT & STARBOARD

T.MK.17 SECT. L

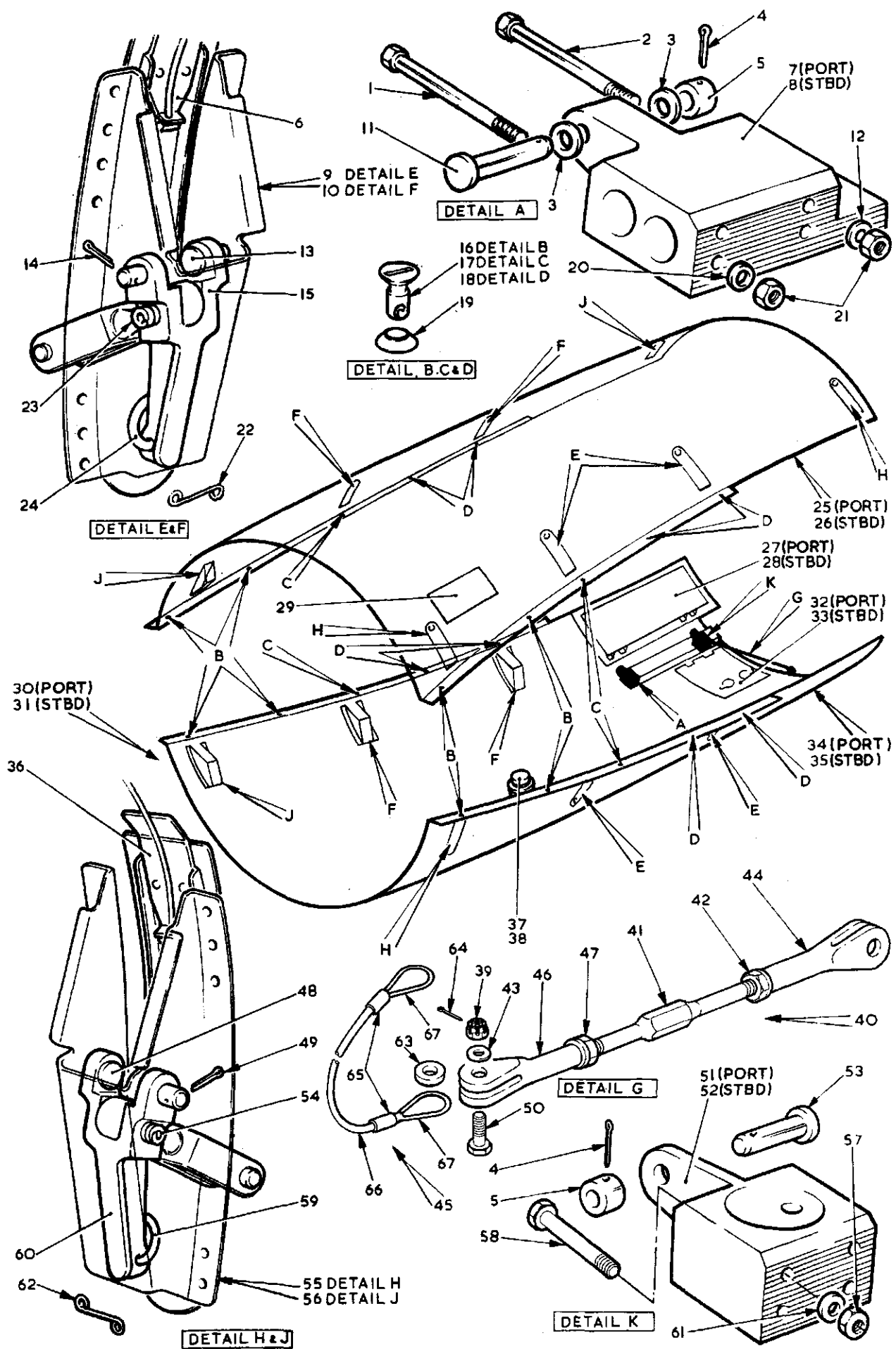


FIG. 5 COWLING ENGINE PORT AND STARBOARD  
Restricted

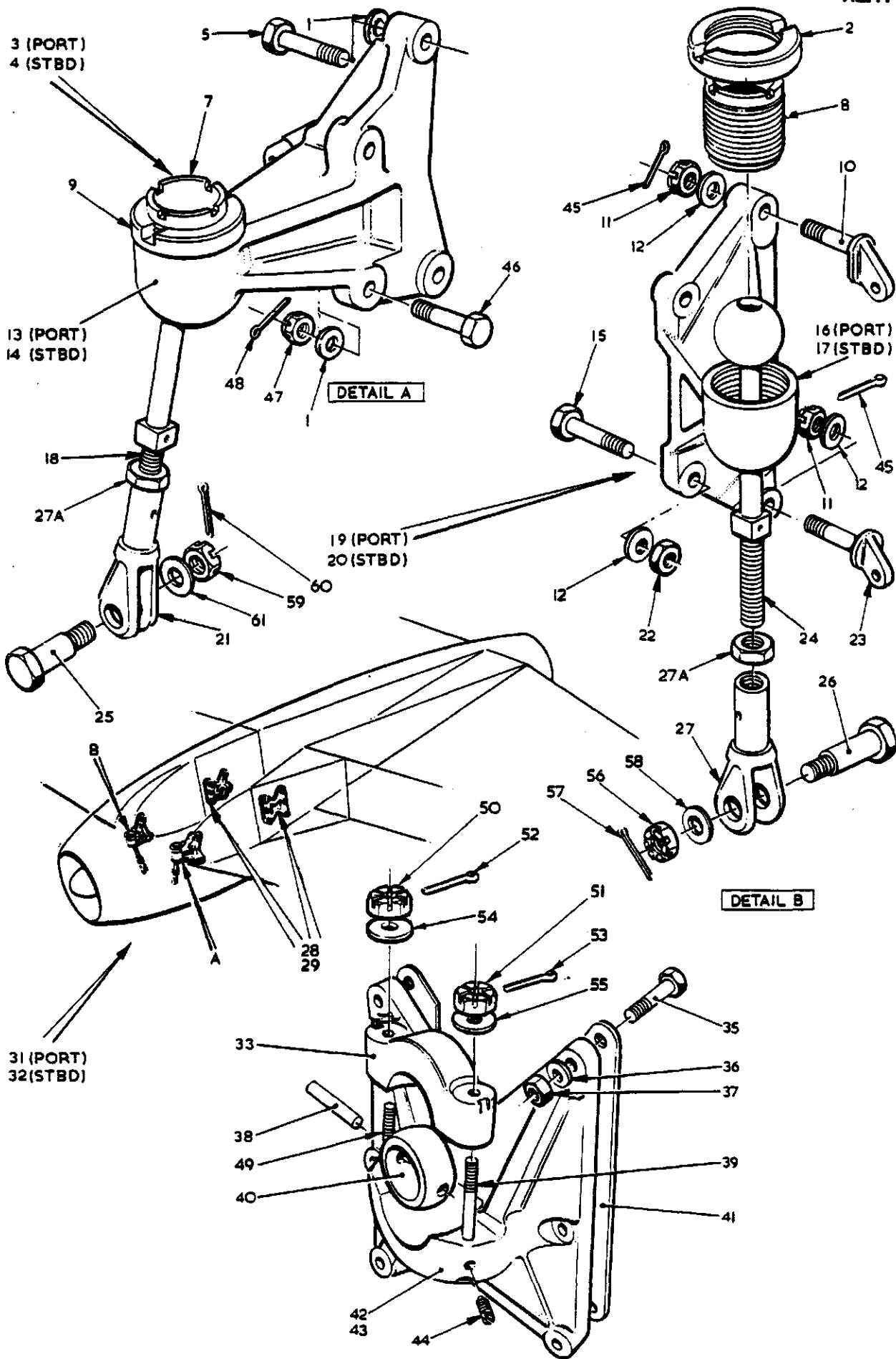


FIG.6 ENGINE MOUNTINGS & ATTACHMENTS PORT & STBD

This file was downloaded  
from the RTFM Library.

Link: [www.scottbouch.com/rtfm](http://www.scottbouch.com/rtfm)

Please see site for usage terms,  
and more aircraft documents.

