

RADIO AND RADAR
ELECTRONIC EQUIPMENT IN AIRCRAFT

Part Number	Description	No. Off	Matl. Spec.	Plate No.						
					1	2	3	4	5	6
-	ELECTRONIC EQUIPMENT IN AIRCRAFT, ASSEMBLY (EG7.82.11) Spares for:-	-	-							
110D6585073	. BOARD, assembly (Mod 5443) (Service supply, Service fit)	1	-							
6080.8005	. CONTROL, counter measures, 6080.8005 (ARI23165) (Pre Mod 5466)	2	-							1/11
110L/6566362	. CONTROL, modulator (Mod 5443) (Pre Mod 5466)	2	-							1/10
51150/2	. COOLER, liquid, HD609 (ARI23166)	3	-							1/2
	. COUPLER, directional (ARI23165) (Pre Mod 5466)	2	-							1/6
110K/6566361	. GENERATOR, (Mod 5443) (Pre Mod 5466)	2	-							1/20
R C4646	. INDICATOR, control (ARI23166) (Pre Mod 5534)	3	-							1/14
R C4646	. INDICATOR, control (ARI23166) (Mod 5534) (Pre Mod 5535)	1	-							
R 1.156DG14459	. INDICATOR, control E/F band (Mod 5534)	2	-							1/14A
R 1.156DG14468	. INDICATOR, control D band (Mod 5535)	1	-							1/14B
C3324	. INDICATOR, control C3324 (ARI23167)	1	-							1/17
51166.4	. OSCILLATOR, R.F.0-1104 (ARI23166)	2	-							1/3
51166.1	. OSCILLATOR, R.F. band (ARI23166)	1	-							1/15
PP2679	. PACK, power supply, PP2679 (ARI23167)	1	-							1/18
151060	. PACK, power supply, 6053-8022 (ARI23165) (Pre Mod 5466)	2	-							1/1
TYPE 151061	. RECEIVER, 6053-8021 (ARI23165) (Pre Mod 5466)	2	-							1/16
	. RECEIVER, AN/APR9 IN CENTRE FUSELAGE, INSTALLATION (EG7.82.2913) (SAS4745) (Pre Mod 5466) Spares for:-	-	-							14A/1
SCB71995	. . AMPLIFIER, converter, Type 537G	1	-							14A/2
SCHQ127729A1	. . ANTENNA, assembly, (SRIM 3932)	1	-							14A/3
SCSHQ127783A4	. . CLEAT, cable (SRIM 3932)	3	-							14A/4
90G/72440	. . RELAY, assembly, Type 539	1	-							14A/5
90G/72698	. . SWITCH, Type 563 Attaching parts for 90G/72698	1	-							14A/6
A32/C18	. . Screw, 2 BA round head	3	-							14A/7
SP47/C	. . Washer, spring	3	-							14A/8
TN128	. . TUNER	1	-							14A/9
TN129B	. . TUNER	1	-							14A/10
TN130	. . TUNER	1	-							14A/11
or TN131	. . TUNER	1	-							14A/12
PP337	. . UNIT, power supply	1	-							14A/13
T915	. TRANSMITTER, T915 (ARI23166)	3	-							1/4
150886	. TRANSMITTER, 6053-8018 (ARI23165) (Pre Mod 5466)	2	-							1/5
T782	. TRANSMITTER, PNT782 (ARI23167)	1	-							1/19
612/DG/14152	. TRANSMITTER, radar, X13919 (ARI18207/1) (Pre Mod 5466)	2	-							1/13
612/DG/14303	. TRANSMITTER, CONTROL, X13920 (ARI18207/1) (Pre Mod 5466)	1	-							1/12
151942	. UNIT, line delay, 151942 (ARI23165) (Pre Mod 5466) Attaching parts for 151942:-	2	-							1/7
A102/2C	. Bolt, 8 UNC, hex head	5	-							1/8
SP122/C	. Washer, 7 UNC, packing	5	-							1/9

RADIO AND RADAR
ELECTRONIC EQUIPMENT IN AIRCRAFT

Part Number	Description	No. Off	Matl. Spec.	Plate No.
R -	. UNIT, POWER, FOR AN/APR9 IN REAR FUSELAGE, INSTALLATION (EG7.82.2911) (SAS4745) Spares for:	-	-	25A/1
R SCSHQ127010	. . ADAPTOR, channel (SRIM3932)	2	-	25A/2
R A25/2C	. . BOLT, 2BA	16	-	25A/3
R T605	. . MOUNTING, Type T605	1	-	25A/4
R A125/D66	. . NUT, stiff, 10 UNF	1	-	25A/5
R SCSHQ127619A4	. . PACKER (SRIM3932)	4	-	25A/6
R EB6.82.275	. . STRUCTURE, transmitter-receiver mounting	1	-	25A/7
R CAMBION				
R 190-1629-3-07	. . STUD	1	-	25A/8
R SCSHQ127011A1	. . TOPHAT, assembly (SRIM3932)	2	-	25A/9
R PP336	. . UNIT, power supply	1	-	25A/10
R SP123/D	. . WASHER, 10 UNF	16	-	25A/11
R SP122/D	. . WASHER, 10 UNF	1	-	25A/12
R AGS2037/C	. . WASHER, shakeproof	1	-	25A/13

RADIO AND RADAR

ELECTRONIC EQUIPMENT IN CENTRE FUSELAGE

Part Number	Description	No. Off	Mati. Spec.	Plate No.	
					1
-	ELECTRONIC EQUIPMENT IN CENTRE FUSELAGE, ASSEMBLY (EG7.82.711) Spares for:	-	-		
UG27C/U	. ADAPTOR, angle (Pre Mod 5466)	1	-		
EG7.82.859	. CABLE, ASSEMBLY, CR.11, FROM ARI.23165 GENERATOR, POWER UNIT, AND ARI.18207 REPEATER TO AC/DC DISTRIBUTION BOX, GROUP (Pre Mod 5466) Consisting of:	1	-		
5E/6707476	. . CABLE, unifersil 12	QR	-		
5E/1056078	. . CABLE, unifersil 14	QR	-		
5E/9994047	. . CABLE, unifersil 16	QR	-		
SUPERFLEXIT SC001-12-61	. . CONDUIT	1	-		
SUPERFLEXIT SC001-16-17	. . CONDUIT	1	-		
SUPERFLEXIT SC001-16-18	. . CONDUIT	1	-		
SUPERFLEXIT SC001-28-115	. . CONDUIT	1	-		
SUPERFLEXIT SCF122(SR) (ALC)-12	. . END, conduit	1	-		
SUPERFLEXIT SCF1942-SR-16	. . END, conduit	2	-		
SUPERFLEXIT SCF1979-SR-28	. . END, conduit	1	-		
508/2/04368	. . FILLER, plug, 12	QR	-		
2CZ138846	. . INSERT, socket	2	-		
2CZ139486	. . INSERT, socket	8	-		
2CZ139487	. . INSERT, socket	4	-		
SUPERFLEXIT SCF3017/28/12/16/16	. . JUNCTION, conduit	1	-		
2Z111033	. . PIN, plug	2	-		
2Z139494	. . PIN, plug	8	-		
508/2/03547/002 UK-AN	. . PIN, plug	4	-		
9000/28/20PX	. . PLUG, free	1	-		
EEAS146/16	. . SLEEVE, 1/4" long	QR	-		
EEAS146/12	. . SLEEVE, 1/2" long	QR	-		
EEAS146/B	. . SLEEVE, 1" long	QR	-		
EEAS146/2	. . SLEEVE, 1" long	QR	-		
EEAS146/00	. . SLEEVE, 1" long	QR	-		
EEAS146/B	. . SLEEVE, 1 1/2" long	QR	-		
2Z139627	. . SLEEVE, packing	QR	-		
2Z139628	. . SLEEVE, packing	QR	-		
508/1/07000/200 UK-AN	. . SOCKET, free, Mk.7	1	-		
9000/24/2S	. . SOCKET, free	2	-		

R
R

RADIO AND RADAR

ELECTRONIC EQUIPMENT IN CENTRE FUSELAGE

Part Number	Description	No. Off	Mati. Spec.	Plate No.
EG7.82.860	. CABLE, ASSEMBLY, CR.12, FROM ARI.23166, COOLER, PORT AND STARBOARD, TO AC/DC DISTRIBUTION BOX, GROUP Consisting of:	1	-	
R 5E/6707476	. . CABLE, unitercil 12	QR	-	
R 5E/1056078	. . CABLE, unitercil 14	QR	-	
R 5E/9994047	. . CABLE, unitercil 16	QR	-	
SUPERFLEXIT SC001/16/13	. . CONDUIT	1	-	
SUPERFLEXIT SC001/16/16	. . CONDUIT	1	-	
SUPERFLEXIT SC001/28/65	. . CONDUIT	1	-	
SUPERFLEXIT SCF1942/SR/28	. . END, conduit	2	-	
SUPERFLEXIT SCF1979/SR/28	. . END, conduit	1	-	
508/2/04367	. . FILLER, plug	QR	-	
508/2/04368	. . FILLER, plug	QR	-	
2CZ138846	. . INSERT, socket	8	-	
2CZ/139486	. . INSERT, socket	4	-	
2CZ139487	. . INSERT, socket	2	-	
CF3017/28/16/16	. . JUNCTION, conduit	1	-	
2Z111033	. . PIN, plug	6	-	
2Z139494	. . PIN, plug	4	-	
508/2/03547/002	. . PIN, plug	4	-	
UK-AN 9000/28/20P	. . PLUG, free	1	-	
EEAS146/12	. . SLEEVE, 1/4" long	QR	-	
EEAS146/16	. . SLEEVE, 1/4" long	QR	-	
EEAS146/B	. . SLEEVE, 1" long	QR	-	
EEAS146/00	. . SLEEVE, 1" long	QR	-	
EEAS146/B	. . SLEEVE, 1 1/2" long	QR	-	

A.P.101B-0417-3A

RADIO AND RADAR

ELECTRONIC EQUIPMENT IN CENTRE FUSELAGE

Part Number	Description	No. Off	Mati. Spec.	Plate No.
2Z139627	. . SLEEVE, packing	QR	-	
2Z139628	. . SLEEVE, packing	QR	-	
UK-AN				
9000/24/2S	. . SOCKET, free	2	-	
R EG7.82.861	. CABLE, ASSEMBLY, CR.13, FROM ARI.23166 COOLER AND ARI.18207 REPEATER AFT TO AC/DC DISTRIBUTION BOX, GROUP (Pre Mod 5466) Consisting of:	1	-	
5E/6407476	. . CABLE, unifersil 12	QR	-	
5E/1056078	. . CABLE, unifersil 14	QR	-	
5E/9994047	. . CABLE, unifersil 16	QR	-	
SC001/12/114	. . CONDUIT	1	-	
SC001/16/21	. . CONDUIT	1	-	
SC001/24/54	. . CONDUIT	1	-	
SCF122/SR/ALC/12	. . END, conduit	1	-	
SCF1942/SR/16	. . END, conduit	1	-	
SCF1970/SR/24	. . END, conduit	1	-	
508/2/04367	. . FILLER, plug	QR	-	
508/2/04368	. . FILLER, plug	QR	-	
2CZ138846	. . INSERT, socket	4	-	
2CZ139486	. . INSERT, socket	2	-	
2CZ139487	. . INSERT, socket	1	-	
SCF2783/24/12/16	. . JUNCTION, conduit	1	-	
2Z111033	. . PIN, plug	8	-	
2Z139494	. . PIN, plug	2	-	
508/2/03547/002	. . PIN, plug	4	-	
UK-AN				
9000/28/20PY	. . PLUG, free	1	-	
EEAS146/16	. . SLEEVE, 1/4" long	QR	-	
EEAS146/12	. . SLEEVE, 1/2" long	QR	-	
EEAS146/00	. . SLEEVE, 1" long	QR	-	
EEAS146/0000	. . SLEEVE, 1" long	QR	-	
EEAS146/0000	. . SLEEVE, 1 1/2" long	QR	-	
2Z139627	. . SLEEVE, packing	QR	-	
2Z139628	. . SLEEVE, packing	QR	-	
508/1/07000/220	. . SOCKET, free, Mk.7	1	-	
UK-AN				
9000/24/2S	. . SOCKET, free	1	-	

RADIO AND RADAR

ELECTRONIC EQUIPMENT IN CENTRE FUSELAGE

Part Number	Description	No. Off	Mati. Spec.	Plate No.	
					1
R EG7.82.862	. CABLE, ASSEMBLY, CR.14, FROM ARI.23165 POWER UNIT AFT TO AC/DC DISTRIBUTION BOX, GROUP (Pre Mod 5466) Consisting of:—	1	—		
5E/1056078	. . CABLE, unifersil 14	QR	—		
5E/9994047	. . CABLE, unifersil 16	QR	—		
SC001/16/128	. . CONDUIT	1	—		
SCF1938/SR/16	. . END, conduit	1	—		
SCF1942/SR/16	. . END, conduit	1	—		
2CZ139486	. . INSERT, socket	5	—		
2CZ139487	. . INSERT, socket	2	—		
2Z139494	. . PIN, plug	5	—		
2Z139495	. . PIN, plug	2	—		
UK-AN					
9000/20/15PW	. . PLUG, free	1	—		
EEAS146/16	. . SLEEVE, 1/4" long	QR	—		
EEAS146/00	. . SLEEVE, 1" long	QR	—		
EEAS146/2	. . SLEEVE, 1 1/2" long	QR	—		
2Z139627	. . SLEEVE, packing	QR	—		
2Z139628	. . SLEEVE, packing	QR	—		
UK-AN					
9000/24/2S	. . SOCKET, free	1	—		
R EG7.82.863	. CABLE, ASSEMBLY, CR.15, FROM ARI.23165 GENERATOR AFT TO AC/DC DISTRIBUTION BOX, GROUP (Pre Mod 5466) Consisting of:—	1	—		
5E/1056078	. . CABLE, unifersil 14	QR	—		
5E/9994047	. . CABLE, unifersil 16	QR	—		
SC0001/16/132	. . CONDUIT	1	—		
SCF1938/SR/16	. . END, conduit	1	—		
SCF1942/SR/16	. . END, conduit	1	—		
2CZ139486	. . INSERT, socket	5	—		
2CZ139487	. . INSERT, socket	2	—		
2Z139494	. . PIN, plug	5	—		
2Z139495	. . PIN, plug	2	—		
UK-AN					
9000/20/15P	. . PLUG, free	1	—		
EEAS146/16	. . SLEEVE, 1/4" long	QR	—		
EEAS146/00	. . SLEEVE, 1" long	QR	—		
EEAS146/2	. . SLEEVE, 1 1/2" long	QR	—		
2Z139627	. . SLEEVE, packing	QR	—		

RADIO AND RADAR

ELECTRONIC EQUIPMENT IN CENTRE FUSELAGE

Part Number	Description	No. Off	Matl. Spec.	Plate No.
22139628 UK-AN	. . SLEEVE, packing	QR	-	
9000/24/2S	. . SOCKET, free	1	-	
EG7.82.864	. CABLE, ASSEMBLY, CR.16, FROM WAVE GUIDE SWITCHES FRAME 13 AND AFT OF FRAME 29 TO AC/DC DISTRIBUTION BOX, GROUP (Pre Mod 5466) Consisting of:-	1	-	
UNINYVIN 20	. . CABLE, uninyvin 20	QR	-	
508/2/04367	. . FILLER, plug	QR	-	
BENDIX				
10-101033-10	. . FILLER, plug	16	-	
508/2/03547/002	. . PIN, plug	9	-	
508/2/05604/002	. . PIN, plug	8	-	
UK-AN				
9000/20/29P	. . PLUG, free	1	-	
EEAS146/20	. . SLEEVE, 1/4" long	QR	-	
EEAS146/6	. . SLEEVE, 1" long	QR	-	
EEAS146/00	. . SLEEVE, 1" long	QR	-	
EEAS146/00	. . SLEEVE 1 1/2" long	QR	-	
BENDIX				
PT06SE.10.6S	. . SOCKET, free	1	-	
BENDIX				
PT06SE.10.6S	. . SOCKET, free	3	-	
TYGADURE				
T120	. . TYGAFLOR	QR	-	
MIDLAND				
SILICONE				
MS944	. . VARNISH	QR	-	
-	. CABLES, CO-AXIAL, IN CENTRE FUSELAGE, INSTALLATION (EG7.82.1713) Spares for:-	-	-	2/34
-	. . BRACKET, MOUNTING, FOR CO-AXIAL CABLE CONNECTIONS, FRAME 19, ASSEMBLY (EG7.82.1789) Spares for:-	-	-	2/19
EG7.82.2845	. . . CHANNEL	1	L72	2/14
EG7.82.1769	. . . BRACKET, ASSEMBLY Consisting of:-	1	L72	2/4
EG7.82.977 LABEL, "A.R.I.23167"	2	-	2/13
EG7.82.979 LABEL "PORT ARI.23166"	2	-	2/11
EG7.82.981 LABEL "STOWAGE ARI.23167"	2	-	2/9
EG7.82.983 LABEL "STOWAGE, PORT ARI.23166"	2	-	2/8
EG7.82.985 LABEL "STOWAGE, STBD. ARI.23166"	2	-	2/10
EG7.82.987 LABEL "STBD. ARI.23166"	2	-	2/5
EG7.82.1771 MEMBER, channel	1	L72	2/12

RADIO AND RADAR

ELECTRONIC EQUIPMENT IN CENTRE FUSELAGE

Part Number	Description	No. Off	Matl. Spec.	Plate No.
EG7.82.1773 MEMBER, side	1	L72	2/6
EG7.82.1775 MEMBER, side	1	L72	2/7
EG7.82.1763 PLATE, radius	4	L72	2/1
AMPHENOL 82-117 SOCKET, stowage Attaching parts for 82-117:—	3	—	2/2
A25/2E Bolt, 1/4" BSF hex. head	4	—	2/3
AGS2001/E/1 Nut, stiff, 1/4" BSF	4	—	2/17
SP13/E Washer, 1/4" BSF plain	4	—	2/15
EG7.82.1813	. . . BRACKET, MOUNTING, FOR CO-AXIAL CABLE CONNECTION BETWEEN FRAMES 22 AND 23, ASSEMBLY Spares for:—	1	—	2/20
EG7.82.2843 ANGLE	1	L72	2/33
EG7.82.2844 ANGLE Attaching parts for EG7.82.2843 and 2844:—	1	L72	2/32
A25/1C Bolt, 2 BA hex. head	2	—	2/31
EG7.82.1815 BRACKET, ASSEMBLY Spares for:—	1	—	2/18
EG7.82.1823 ANGLE	1	L72	2/21
EG7.82.1825 ANGLE	1	L72	2/16
EG7.82.1819 BRACKET, stowage	1	L72	2/36
EG7.82.1821 BRACKET, mounting	1	L72	2/22
EG7.82.1817 PLATE, cover	1	—	2/23
EG7.82.2841 CHANNEL, mounting, 18 SWG Attaching parts for EG7.82.2841:—	1	L72	2/26
A25/1C Bolt, 2 BA hex. head	4	—	2/27
AGS2001/C/1 Nut, stiff, 2 BA	4	—	2/28
SP13/C Washer, 2 BA plain	4	—	2/29
AMPHENOL 82-117 SOCKET, stowage Attaching parts for 82-117:—	1	—	2/25
A25/2E Bolt, 1/4" BSF hex. head	4	—	2/24
AGS2001/E/1 Nut, stiff, 1/4" BSF	4	—	2/25
SP13/E Washer, 1/4" BSF plain	4	—	2/30
—	. . . BRACKET, MOUNTING, CO-AXIAL CABLE CLAMP BETWEEN FRAMES 13 AND 14, ASSEMBLY (EG7.82.1877) Spares for:—	—	—	3/9
EG7.82.1875 BRACKET, MOUNTING, ASSEMBLY Spares for:—	1	—	3/15
A25/16C BOLT, 2 BA hex. head	1	—	3/21
A25/16E BOLT, 1/4" BSF hex. head	1	—	3/22
EG7.82.2347 CLAMP, assembly	1	Tufnol	3/16
AS2306/158 TUBE, distance	1	L72	3/17
AS2308/158 TUBE, distance	1	L72	3/18
SP15/C WASHER, 2 BA plain	1	—	3/19
SP16/E WASHER, 1/4" BSF plain Attaching parts for EG7.82.1875:—	1	—	3/20
A25/1C Bolt, 2 BA hex. head	6	—	3/13
AGS2001/C/1 Nut, stiff, 2 BA	6	—	3/12
SP13/C Washer, 2 BA plain	6	—	3/14

RADIO AND RADAR

ELECTRONIC EQUIPMENT IN CENTRE FUSELAGE

Part Number	Description 1 2 3 4 5 6	No. Off	Matl. Spec.	Plate No.
EG7.82.2125	. . . BRACKET, CO-AXIAL CABLE SUPPORT, FRAME 13, ASSEMBLY Spares for:--	1	—	3/8
A25/15C BOLT, 2 BA hex. head	4	—	3/6
EG7.82.2127 CLAMP	1	Tufnol	3/4
EG7.82.2563 STRIP, bonding (Make from Ref.42914)	1	L17	3/11
EG7.82.2565 STRIP, bonding	1	L17	3/5
AS2306/138 TUBE, distance	4	L72	3/10
SP16/C WASHER, 2 BA plain	4	—	3/7
	Attaching parts for EG7.82.2125:--			
A25/4C	. . . Bolt, 2 BA hex. head	8	—	3/2
AGS2001/C/1	. . . Nut, stiff, 2 BA	8	—	3/3
SP16/C	. . . Washer, 2 BA plain	8	—	3/1
X156DG002019	. . . CABLE, assembly, flexible co-axial (Mod 5445)	1	—	5/26
X156DG002018	. . . CABLE, assembly, flexible co-axial (Mod 5445)	1	—	5/28
X156DG002017	. . . CABLE, assembly, flexible co-axial (Mod 5445)	2	—	5/16
X156DG002016	. . . CABLE, assembly, flexible co-axial (Mod 5445)	2	—	5/34
X156DG002014	. . . CABLE, assembly, flexible co-axial (Mod 5445)	1	—	5/33
X156DG002015	. . . CABLE, assembly, flexible co-axial (Mod 5445)	1	—	5/15
R MARCONI R80-1884-01	. . . CABLE, rigid co-axial, assembly, "E/F" band	1	—	5/17
R MARCONI R60-1886-01	. . . CABLE, rigid co-axial, assembly, "E/F" band	1	—	5/20
R MARCONI R60-1888-01	. . . CABLE, rigid co-axial, assembly, "D" band	1	—	5/14
R MARCONI R60-1890-01	. . . CABLE, rigid co-axial, assembly, "A" band	1	—	5/29
	. . . CLAMPS, CO-AXIAL, CABLE, FRAME 18, ASSEMBLY (EG7.82.1755) Spares for:--	—	—	4/34
EG7.82.1759 ANGLE, attachment	2	L72	4/37
A25/1C BOLT, 2 BA hex. head	2	—	4/46
A25/3C BOLT, 2 BA hex. head	2	—	4/48
A25/14C BOLT, 2 BA hex. head	2	—	4/57
A25/20C BOLT, 2 BA hex. head	1	—	4/63
A25/20E BOLT, 1/4" BSF hex. head	1	—	4/62
EG7.82.1751 CLAMP	1	Tufnol	4/56
EG7.82.1753 CLAMP	1	Tufnol	4/49

RADIO AND RADAR

ELECTRONIC EQUIPMENT IN CENTRE FUSELAGE

Part Number	Description	No. Off	Mati. Spec.	Plate No.
AGS.2001/C/1 NUT, stiff, 2BA	4	-	4/55
EG7.82.1763 PLATE, radius	2	L72	4/50
EG7.82.2567 STRIP, bonding	1	L17	4/58
EG7.82.2571 STRIP, bonding	1	L17	4/47
EG7.82.2573 STRIP, bonding (Make from Ref. 42917)	1	L17	4/51
AS.2306/128 TUBE, distance	2	L72	4/54
AS.2306/188 TUBE, distance	1	L72	4/60
AS.2308/188 TUBE, distance	1	L72	4/59
SP13/C WASHER, 2BA plain	4	-	4/53
SP16/C WASHER, 2BA plain	3	-	4/52
SP16/E WASHER, 1/4" BSF plain	1	-	4/61
- CLAMP, FOR CO-AXIAL CABLE, FLOOR GIRDER 15, ASSEMBLY (EG7.82.1791) Spares for:-	-	-	4/27
EG7.82.1797 PLATE, ADAPTOR, ASSEMBLY Spares for:-	1	-	4/1
A25/17C BOLT, 2BA hex. head	1	-	4/11
A25/17E BOLT, 1/4" BSF hex. head	1	-	4/23
A25/18C BOLT, 2BA hex. head	1	-	4/26
EG7.82.1767 CLAMP	1	Tufnol	4/14
EG7.82.1809 PACKING, anchor nut	1	L64	4/8
EG7.82.1811 PACKING, anchor nut	1	L64	4/2
EG7.82.1803 PLATE, adaptor	1	L72	4/3
EG7.82.2567 STRIP, bonding	1	L17	4/15
EG7.82.2569 STRIP, bonding	1	L17	4/7
AS.2306/168 TUBE, distance	2	L72	4/16
AS.2308/168 TUBE, distance	1	L72	4/17
SP13/C WASHER, 2BA plain	2	-	4/24
SP13/E WASHER, 1/4" BSF plain Attaching parts for EG7.82.1797:-	1	-	4/20
A25/3C Bolt, 2BA hex. head	5	-	4/4
AGS.2001/C/1 Nut, stiff, 2BA	5	-	4/12
SP13/C Washer, 2BA plain	5	-	4/10
- CLAMP, FOR CO-AXIAL CABLES, FLOOR GIRDER 16, ASSEMBLY (EG7.82.1793) Spares for:-	-	-	4/28
EG7.82.1799 PLATE, adaptor, assembly Spares for:-	1	-	4/31
A25/17C BOLT, 2BA hex. head	1	-	4/42
A25/17E BOLT, 1/4" BSF hex. head	1	-	4/45
A25/18C BOLT, 2BA hex. head	1	-	4/44

RADIO AND RADAR

ELECTRONIC EQUIPMENT IN CENTRE FUSELAGE

Part Number	1 2 3 4 5 6	Description	No. Off	Mater. Spec.	Plate No.
EG7.82.1767		CLAMP	1	Tufnol	4/36
EG7.82.1809		PACKING, anchor nut	1	L64	4/33
EG7.82.1811		PACKING, anchor nut	1	L64	4/29
EG7.82.1805		PLATE, adapter	1	L72	4/30
AS2306/168		TUBE, distance	2	L72	4/35
AS2308/168		TUBE, distance	1	L72	4/39
SP13/C		WASHER, 2 BA plain	2	-	4/40
SP13/E		WASHER, 1/4" BSF plain	1	-	4/43
		Attaching parts for EG7.82.1799:-			
A25/3C		Bolt, 2 BA hex. head	5	-	4/32
AGS2001/C/1		Nut, stiff, 2 BA	5	-	4/41
SP13/C		Washer, 2 BA plain	5	-	4/38
-		CLAMP, FOR CO-AXIAL CABLE, FLOOR GIRDER 17, ASSEMBLY (EG7.82.1795) Spares for:-	-	-	5/30
EG7.82.1801		PLATE, ADAPTER, ASSEMBLY Spares for:-	1	-	5/32
A25/19C		BOLT, 2 BA hex. head	1	-	5/56
A25/19E		BOLT, 1/4" BSF hex. head	1	-	5/57
A25/21C		BOLT, 2 BA hex. head	1	-	5/55
EG7.82.1765		CLAMP	1	Tufnol	5/52
EG7.82.1809		PACKING	1	L64	5/35
EG7.82.1811		PACKING	1	L64	5/37
EG7.82.1807		PLATE, adapter	1	L72	5/31
AS2306/198		TUBE, distance	2	L72	5/44
AS2308/198		TUBE, distance	1	L72	5/50
SP13/C		WASHER, 2 BA plain	2	-	5/43
SP13/E		WASHER, 1/4" BSF plain	1	-	5/54
		Attaching parts for EG7.82.1801:-			
A25/3C		Bolt, 2 BA hex. head	5	-	5/27
AGS2001/C/1		Nut, stiff, 2 BA	5	-	5/49
SP13/C		Washer, 2 BA plain	5	-	5/47
-		CLAMP, FOR CO-AXIAL CABLE, FLOOR GIRDER 20, ASSEMBLY (EG7.82.1833) Spares for:-	-	-	5/36
EG7.82.1831		PLATE, ADAPTER, ASSEMBLY Spares for:-	1	-	5/38
A25/15C		BOLT, 2 BA hex. head	2	-	5/48
EG7.82.1829		CLAMP, assembly	1	Tufnol	5/46
EG7.82.1835		PLATE, adapter	1	L72	5/39
AS2306/138		TUBE, distance	2	L72	5/51

RADIO AND RADAR

ELECTRONIC EQUIPMENT IN CENTRE FUSELAGE

Part Number	1 2 3 4 5 6	Description	No. Off	Matl. Spec.	Plate No.
SP16/C		WASHER, 2 BA plain	2	-	5/45
		Attaching parts for EG7.82.1831:-			
A52/2C		Bolt, 2 BA hex. head	4	-	5/40
AGS2001/C/1		Nut, stiff, 2 BA	4	-	5/42
SP16/C		Washer, 2 BA plain	4	-	5/41
-		CLAMP, FOR CO-AXIAL CABLE, FLOOR GIRDER 22, ASSEMBLY (EG7.82.1837)	-	-	4/22
		Spares for:-			
EG7.82.1831		PLATE, ADAPTER, ASSEMBLY	1	-	4/5
		Spares for:-			
A25/15C		BOLT, 2 BA hex. head	2	-	4/25
EG7.82.1829		CLAMP, assembly	1	Tufnol	4/18
EG7.82.1835		PLATE, adapter	1	L72	4/6
SP16/C		WASHER, 2 BA plain	2	-	4/21
		Attaching parts for EG7.82.1831:-			
A25/3C		Bolt, 2 BA hex. head	4	-	4/9
AGS2001/C/1		Nut, stiff, 2 BA	4	-	4/19
SP16/C		Washer, 2 BA plain	4	-	4/13
EG7.82.2823		CLAMP, aft of frame 13, assembly	1	Tufnol	5/21
		Attaching parts for EG7.82.2823:-			
A61/14C		Bolt, 2 BA hex. head	2	-	5/22
AGS2001/C/3		Nut, stiff, 2 BA	2	-	5/23
SP15/C		Washer, 2 BA plain	2	-	5/24
-		FAIRLEAD, CO-AXIAL CABLE, BULKHEAD FRAME 13, ASSEMBLY (EG7.82.1673)	-	-	5/11
		Spares for:-			
EG7.82.1675		FAIRLEAD	1	Tufnol	5/4
		Attaching parts for EG7.82.1675:-			
A25/6C		Bolt, 2 BA hex. head	6	-	5/6
AGS2001/C/1		Nut, stiff, 2 BA	6	-	6/9
SP16/C		Washer, 2 BA plain	6	-	5/5
-		FAIRLEAD, CO-AXIAL CABLES, FRAME 13, ASSEMBLY (EG7.82.1711)	-	-	5/19
		Spares for:-			
EG7.82.1709		FAIRLEAD	1	Tufnol	5/1
		Attaching parts for EG7.82.1709:-			
A25/6C		Bolt, 2 BA hex. head	8	-	5/10
AGS2001/C/1		Nut, stiff, 2 BA	8	-	5/12
SP13/C		Washer, 2 BA plain	8	-	5/13
EG7.82.2343		RETAINER	1	Tufnol	5/2
		Attaching parts for EG7.82.2343:-			
A25/8C		Bolt, 2 BA hex. head	1	-	5/3
AGS2001/C/1		Nut, stiff, 2 BA	1	-	5/7
SP13/C		Washer, 2 BA plain	1	-	5/8
AMPHENOL 57125		PLUG L.T. (Marconi R30 - 9281)	4	-	5/18
EG7.82.2575		STRIP, bonding, cable clamp at floor girder 22 (Make from Ref.42920)	1	L17	5/53
EEAS237/16/AH		WASHER, "D", for bonding clips	4	L72	5/25

RADIO AND RADAR

ELECTRONIC EQUIPMENT IN CENTRE FUSELAGE

Part Number	Description	No. Off	Mati. Spec.	Plate No.
EG7.82.3029	. CABLE, assembly, 9J3 to 10J1 (Mod.5444)	2	-	
R SCSHQ126679A2	. CABLE, assembly (SRIM 3932) (Mod.5176) (Pre Mod 5466)	1	-	
R SCSHQ126669A2	. CABLE, assembly (SRIM 3932) (Mod.5176) (Pre Mod 5466)	1	-	
R SCSHQ126676A2	. CABLE, assembly (SRIM 3932) (Mod.5176) (Pre Mod 5466)	1	-	
R SCSHQ126677A2	. CABLE, assembly (SRIM 3932) (Mod.5176) (Pre Mod 5466)	1	-	
R SCSHQ126678A2	. CABLE, assembly (SRIM 3932) (Mod.5176) (Pre Mod 5466)	1	-	
R SCSHQ127608A2	. CABLE, assembly (SRIM 3932) (Mod.5176) (Pre Mod 5466)	1	-	
R SCSHQ127610A2	. CABLE, assembly (SRIM 3932) (Mod.5176) (Pre Mod 5466)	1	-	
R SCSHQ127609A2	. CABLE, assembly (SRIM 3932) (Mod.5176) (Pre Mod 5466)	1	-	
R SCSHQ126686A2	. CABLE, assembly (SRIM 3932) (Mod.5176) (Pre Mod 5466)	1	-	
R SCSHQ126687A2	. CABLE, assembly (SRIM 3932) (Mod.5176) (Pre Mod 5466)	1	-	
R SCSHQ126673A2	. CABLE, assembly (SRIM 3932) (Mod.5176) (Pre Mod 5466)	1	-	
R SCSHQ126672A2	. CABLE, assembly (SRIM 3932) (Mod.5176) (Pre Mod 5466)	1	-	
R SCSHQ127605A1	. CABLE, assembly (SRIM 3932) (Mod.5176) (Pre Mod 5466)	1	-	
R SCSHQ126685A2	. CABLE, assembly (SRIM 3932) (Mod.5176) (Pre Mod 5466)	1	-	
R SCSHQ126689A2	. CABLE, assembly (SRIM 3932) (Mod.5176) (Pre Mod 5466)	1	-	
TYPE 519B	. COMPARATOR, waveguide, type 519B (Mod. 5083)	1	-	
R E.G7.82.849	. CONNECTOR, assembly, CR.1, from pressure bulkhead to ARI.23165 aft power supply unit (Pre Mod 5466)	1	-	

RADIO AND RADAR
ELECTRONIC EQUIPMENT IN CENTRE FUSELAGE

Part Number	Description 1 2 3 4 5 6	No. Off	Matl. Spec.	Plate No.

RADIO AND RADAR

ELECTRONIC EQUIPMENT IN CENTRE FUSELAGE

Part Number	Description	No. Off	Matl. Spec.	Plate No.
R E.G7.82.850	. CONNECTOR, assembly, CR.2, from pressure bulkhead to ARI.18207 aft repeater (Pre Mod 5466)	1	-	
R E.G7.82.851	. CONNECTOR, assembly, CR.3, from pressure bulkhead to ARI.23165 after generator unit (Pre Mod 5466)	1	-	
E.G7.82.852	. CONNECTOR, assembly, CR.4, from pressure bulkhead to ARI.23166 aft cooler	1	-	
E.G7.82.853	. CONNECTOR, assembly, CR.5, from pressure bulkhead to ARI.23166 cooler, port	1	-	
E.G7.82.854	. CONNECTOR, assembly, CR.6, from pressure bulkhead to ARI.23166 cooler, starboard	1	-	
R E.G7.82.855	. CONNECTOR, assembly, CR.7, from pressure bulkhead to ARI.23165 power unit, forward (Pre Mod 5466)	1	-	
R E.G7.82.856	. CONNECTOR, assembly, CR.8, from pressure bulkhead to ARI.23165 generator unit, forward (Pre Mod 5466)	1	-	
R E.G7.82.857	. CONNECTOR, assembly, CR.9, from pressure bulkhead to ARI.18207 repeater, forward (Pre Mod 5466)	1	-	
R E.G7.82.865	. CONNECTOR, assembly, CR.17, from ARI.23165 forward receiver unit to plug break, frame 29 (Pre Mod 5466)	1	-	
R E.G7.82.866	. CONNECTOR, assembly, CR.18, from ARI.23165 aft receiver unit to plug break, frame 29 (Pre Mod 5466)	1	-	
E.G7.82.858	. CONNECTOR, assembly, CR.10, from pressure bulkhead to ARI.23167 power unit	1	-	
R E.G7.82.868	. CONNECTOR, assembly, CR.20, from ARI.23165 power unit to forward and aft transmitter unit (Pre Mod 5466)	2	-	
R E.G7.82.869	. CONNECTOR, assembly, CR.21, from ARI.23165 transmitter to forward and aft power unit (Pre Mod 5466)	2	-	
R E.G7.82.870	. CONNECTOR, assembly, CR.22, from ARI.23165 to power unit (Pre Mod 5466)	2	-	
R E.G7.82.873	. CONNECTOR, assembly, CR.25, from ARI.23165 transmitter to receiver (Pre Mod 5466)	2	-	
R E.G7.82.874	. CONNECTOR, assembly, CR.26, from ARI.23165 receiver to delay unit (Pre Mod 5466)	2	-	
R E.G7.82.875	. CONNECTOR, assembly, CR.27, from ARI.23165 delay unit to transmitter (Pre Mod 5466)	2	-	
E.G7.82.876	. CONNECTOR, assembly, CR.28, from ARI.23166 cooler to transmitter	2	-	
E.G7.82.877	. CONNECTOR, assembly, CR.29, from ARI.23166 cooler to transmitter	3	-	
E.G7.82.878	. CONNECTOR, assembly, CR.30, from ARI.23166 cooler to transmitter	1	-	
R E.G7.82.879	. CONNECTOR, assembly, CR.31, from ARI.23165 receiver to generator (Pre Mod 5466)	2	-	

RADIO AND RADAR

ELECTRONIC EQUIPMENT IN CENTRE FUSELAGE

Part Number	Description	No. Off	Mati. Spec.	Plate No.
R E.G7.82.880	. CONNECTOR, assembly, CR.32, from ARI.23165 receiver to power unit (Pre Mod 5466)	2	-	
R E.G7.82.881	. CONNECTOR, assembly, CR.33, from ARI.23165 receiver to generator (Pre Mod 5466)	2	-	
R E.G7.82.882	. CONNECTOR, assembly, CR.34, from ARI.23165 receiver to generator (Pre Mod 5466)	2	-	
EG7.82.884	. CONNECTOR, assembly, CR.36, from ARI.23167 power supply to transmitter	1	-	
90G.A1.98160	. ELEMENT, detection, type 519D (Mod. 5083)	1	-	
90G/A1.122116	. ELEMENT, detection, type 519C (Mod. 5083)	3	-	
90G.A1.98159	. ELEMENT, detection, type 519D (Mod. 5083)	1	-	
R -	. TRAY, ASSEMBLIES IN BOMB BAY PACKS, INSTALLATION (E.G7.82.715) (Pre Mod 5466) Spares for:-	-	-	6/23
RAYTHEON CO. MS.91405-A10	. . . BASE, mounting Attaching parts for MS.91405-A10:-	2	-	6/13
A25/1C	. . . Bolt, 2 BA hex. head	16	-	6/14
AGS.2001/C/1	. . . Nut, stiff, 2 BA	16	-	6/15
SP13/C	. . . Washer, 2 BA plain	16	-	6/16
E.G7.82.973	. . . LEAD, FLEXIBLE, ASSEMBLY Spares for:-	32	-	6/12
E.G7.82.788	. . . BOLT, special, 2 BA (May be made from A31/C18)	2	S1	6/9
E.G7.82.791	. . . WASHER, tapped, 2 BA	2	S510	6/11
E.G7.82.757	. . . TRAY, MOUNTING No. 3, ARI.23165 GENERATOR, ASSEMBLY Consisting of:-	1	-	6/20
RAYTHEON MS.91405-A10	. . . BASE, mounting	1	-	6/21
E.G7.82.947	. . . LABEL	1	-	6/22
E.G7.11.477	. . . TRAY, EQUIPMENT, ASSEMBLY Spares for:-	1	L73	6/5
AGS.2001/E/1 NUT, stiff, 1/4" BSF	2	-	6/1
E.G7.11.193 PIN, roller	4	S95	6/8
E.G7.11.201 PIN, locating	2	S95	6/6
E.G7.11.195 ROLLER	4	S95	6/7
SP13/E WASHER, 1/4" BSF plain Attaching parts for E.G7.11.477:-	2	-	6/2
A25/2C	. . . Bolt, 2 BA hex. head	16	-	6/10
AGS.2001/C/1	. . . Nut, stiff, 2 BA	16	-	6/3
SP13/C	. . . Washer, 2 BA plain	16	-	6/4
E.G7.82.759	. . . TRAY, MOUNTING, No. 1, ARI.18207 TRANSMITTER, ASSEMBLY Consisting of:-	1	-	7/46
RAYTHEON MS.91405-B101	. . . BASE, mounting	1	-	7/47

ELECTRONIC EQUIPMENT IN CENTRE FUSELAGE

Ref. No.	Part No.	Description	No. off	Matl. Spec.	Cl. of Equip. M.R. L.M.	Fig. and Index
	E.G7.82.953	LABEL	1	-	-	7/48
42932	E.G7.11.475	TRAY, EQUIPMENT, ASSEMBLY	1	L73	B	7/3
		Spares for:-				
28M/9480017	AGS.2001/E/1	NUT, stiff, 1/4" BSF	2	-	C	7/1
42929	E.G7.11.193	PIN, roller	4	S95	C	7/9
42930	E.G7.11.201	PIN, locating	2	S95	C	7/6
42931	E.G7.11.195	ROLLER	4	S95	C	7/7
28W/9418921	SP13/E	WASHER, 1/4" BSF plain	2	-	C	7/2
		Attaching parts for E.G7.11.475:-				
28D/9133011	A25/2C	Bolt, 2 BA hex. head	16	-	C	7/8
28M/1278190	AGS.2001/C/1	Nut, stiff, 2 BA	16	-	C	7/4
28W/9419402	SP13/C	Washer, 2 BA plain	16	-	C	7/5
	E.G7.82.761	TRAY, MOUNTING, No. 8, ARI.23166	1	-	-	7/19
		TRANSMITTER, ASSEMBLY				
		Consisting of:-				
R 110AJ/4686761	840-20	BASE, mounting	1	-	B	7/20
43916	E.G7.82.931	LABEL	1	-	C	7/21
42932	E.G7.11.475	TRAY, EQUIPMENT, ASSEMBLY	1	L73	B	7/3
		Spares for:-				
28M/9480017	AGS.2001/E/1	NUT, stiff, 1/4" BSF	2	-	C	7/1
42929	E.G7.11.193	PIN, roller	4	S95	C	7/9
42930	E.G7.11.201	PIN, locating	2	S95	C	7/6
42931	E.G7.11.195	ROLLER	4	S95	C	7/7
28W/9418921	SP13/E	WASHER, 1/4" BSF plain	2	-	C	7/2
		Attaching parts for E.G7.11.475:-				
28D/9133011	A25/2C	Bolt, 2 BA hex. head	16	-	C	7/8
28M/1278190	AGS.2001/C/1	Nut, stiff, 2 BA	16	-	C	7/4
28W/9419402	SP13/C	Washer, 2 BA plain	16	-	C	7/5
	E.G7.82.763	TRAY, MOUNTING, No. 2, ARI.23165	1	-	B	7/28
		TRANSMITTER, ASSEMBLY				
		Consisting of:-				
R 110AJ/4686781	RAYTHEON SO.BA-810-840	BASE, mounting	1	-	B	7/29
	E.G7.82.951	LABEL	1	-	-	7/30
42932	E.G7.11.475	TRAY, EQUIPMENT, ASSEMBLY	1	L73	B	7-3
		Spares for:-				
28M/9480017	AGS.2001/E/1	NUT, stiff, 1/4" BSF	2	-	C	7/1
42929	E.G7.11.193	PIN, roller	4	S95	C	7/9
42930	E.G7.11.201	PIN, locating	2	S95	C	7/6
42931	E.G7.11.195	ROLLER	4	S95	C	7/7

RADIO AND RADAR

ELECTRONIC EQUIPMENT IN CENTRE FUSELAGE

Ref. No.	Part No.	Description	No. off	Matl. Spec.	Cl. of Equip. M.R. L.M.	Fig. and Index
28W/9418921	SP13/E	WASHER, 1/4" BSF plain	2	-	C	7/2
28D/9133011	A25/2C	Attaching parts for E.G7.11.475:-				
28M/1278190	AGS.2001/C/1	Bolt, 2 BA hex. head	16	-	C	7/8
28W/9419402	SP13/C	Nut, stiff, 2 BA	16	-	C	7/4
		Washer, 2 BA plain	16	-	C	7/5
	E G7.82.765	TRAY, MOUNTING, No. 11, ARI.23165	1	-	-	6/17
		GENERATOR, ASSEMBLY				
		Spares for:-				
R 110AJ/3423882	RAYTHEON MS.91405-A10	BASE, mounting	1	-	B	6/18
	E G7.82.929	LABEL	1	-	-	6/19
42928	E G7 11 477	TRAY, EQUIPMENT, ASSEMBLY	1	L73	B	6/5
		Spares for:-				
28M/9480017	AGS.2001/E/1	NUT, stiff, 1/4" BSF	2	-	C	6/1
42929	E G7.11.193	PIN, roller	4	S95	C	6/8
42930	E G7.11.201	PIN, locating	2	S95	C	6/6
42931	E G7 11.195	ROLLER	4	S95	C	6/7
28W/9418921	SP13/E	WASHER, 1/4" BSF plain	2	-	C	6/2
		Attaching parts for E.G7.11.477:-				
28D/9133011	A25/2C	Bolt, 2 BA hex. head	16	-	C	6/10
28M/1278190	AGS.2001/C/1	Nut, stiff, 2 BA	16	-	C	6/3
28W/9419402	SP13/C	Washer, 2 BA plain	16	-	C	6/4
	E G7 82 767	TRAY, MOUNTING, No. 5, ARI.23166	1	-	-	7/49
		LIQUID COOLER, ASSEMBLY				
		Consisting of:-				
R 110AJ/4686780	RAYTHEON MS.91405S-B102	BASE, mounting	1	-	B	7/50
	43915	LABEL	1	-	C	7/51
	42932	TRAY, EQUIPMENT, ASSEMBLY	1	L73	B	7/3
		Spares for:-				
28M/9480017	AGS.2001/E/1	NUT, stiff, 1/4" BSF	2	-	C	7/1
42929	E G7 11.193	PIN, roller	4	S95	C	7/9
42930	E G7.11.201	PIN, locating	2	S95	C	7/6
42931	E.G7 11.195	ROLLER	4	S95	C	7/7
28W/9418921	SP13/E	WASHER, 1/4" BSF plain	2	-	C	7/2
		Attaching parts for E.G7.11.475:-				
28D/9133011	A25/2C	Bolt, 2 BA hex. head	16	-	C	7/8
28M/1278190	AGS.2001/C/1	Nut, stiff, 2 BA	16	-	C	7/4
28W/9419402	SP13/C	Washer, 2 BA plain	16	-	C	7/5
	E G7 82.769	TRAY, MOUNTING, No. 6, ARI.23166	1	-	-	7/22
		LIQUID COOLER, ASSEMBLY				
		Consisting of:-				
R 110AJ/4686780	RAYTHEON MS.91405S-B102	BASE, mounting	1	-	B	7/23

ELECTRONIC EQUIPMENT IN CENTRE FUSELAGE

Ref. No.	Part No.	Description	No. off	Mtrl. Spec.	Cl. of Equip. M.R. L.M.	Fig. and Index
42932	E.G7.82.925	LABEL	1	-	-	7/24
	E.G7.11.475	TRAY, EQUIPMENT, ASSEMBLY	1	L73	B	7/3
		Spares for:-				
28M/9480017	AGS.2001/E/1	NUT, stiff, 1/4" BSF	2	-	C	7/1
42929	E.G7.11.193	PIN, roller	4	S95	C	7/9
42930	E.G7.11.201	PIN, locating	2	S95	C	7/6
42931	E.G7.11.195	ROLLER	4	S95	C	7/7
28W/9418921	SP13/E	WASHER, 1/4" BSF plain	2	-	C	7/2
		Attaching parts for E.G7.11.475:-				
28D/9133011	A25/2C	Bolt, 2 BA hex. head	16	-	C	7/8
28M/1278190	AGS.2001/C/1	Nut, stiff, 2 BA	16	-	C	7/4
28W/9419402	SP13/C	Washer, 2 BA plain	16	-	C	7/5
10AJ/2226345	E.G7.82.771	TRAY, MOUNTING, No. 14, ARI.23165	1	-	B	7/16
		TRANSMITTER, ASSEMBLY				
		Consisting of:-				
R 110AJ/4686781	RAYTHEON SO.BA-810-B40	BASE, mounting	1	-	B	7/17
		E.G7.82.949				
42932	E.G7.11.475	LABEL	1	-	-	7/18
		TRAY, EQUIPMENT, ASSEMBLY	1	L73	B	7/3
		Spares for:-				
28M/9480017	AGS.2001/E/1	NUT, stiff, 1/4" BSF	2	-	C	7/1
42929	E.G7.11.193	PIN, roller	4	S95	C	7/9
42930	E.G7.11.201	PIN, locating	2	S95	C	7/6
42931	E.G7.11.195	ROLLER	4	S95	C	7/7
28W/9418921	SP13/E	WASHER, 1/4" BSF plain	2	-	C	7/2
		Attaching parts for E.G7.11.475:-				
28D/9133011	A25/2C	Bolt, 2 BA hex. head	16	-	C	7/8
28M/1278190	AGS.2001/C/1	Nut, stiff, 2 BA	16	-	C	7/4
28W/9419402	SP13/C	Washer, 2 BA plain	16	-	C	7/5
		E.G7.82.773				
		TRAY, MOUNTING, No. 10, ARI.23166	1	-	-	7/13
		LIQUID COOLER, ASSEMBLY				
		Consisting of:-				
R 110AJ/4686780	RAYTHEON MS.91405S-B102	BASE, mounting	1	-	B	7/14
		E.G7.82.927				
42932	E.G7.11.475	LABEL	1	-	-	7/15
		TRAY, EQUIPMENT, ASSEMBLY	1	L73	B	7/3
		Spares for:-				
28M/9480017	AGS.2001/E/1	NUT, stiff, 1/4" BSF	2	-	C	7/1
42929	E.G7.11.193	PIN, roller	4	S95	C	7/9
42930	E.G7.11.201	PIN, locating	2	S95	C	7/6
42931	E.G7.11.195	ROLLER	4	S95	C	7/7

RADIO AND RADAR

ELECTRONIC EQUIPMENT IN CENTRE FUSELAGE

Ref. No.	Part No.	Description	1 2 3 4 5 6 7							No. off	Matl. Spec.	Cl. of Equip. M.R. L.M.	Fig. and Index
28W/9418921	SP13/E	WASHER, 1/4" BSF plain							2	-	C	7/2	
28D/9133011	A25/2C	Attaching parts for E.G7.11.475:-											
28M/1278190	AGS 2001/C/1	Bolt, 2 BA hex. head							16	-	C	7/8	
28W/9419402	SP13/C	Nut, stiff, 2 BA							16	-	C	7/4	
		Washer, 2 BA plain							16	-	C	7/5	
	E G7.82.775	TRAY, MOUNTING, No. 4, ARI.23165							1	-	-	7/25	
		POWER SUPPLY, ASSEMBLY											
		Consisting of:-											
110AJ/4686754	RAYTHEON MS 91405-B102	BASE, mounting							1	-	B	7/26	
	E G7.82.936	LABEL							1	-	-	7/27	
42932	E G7.11.475	TRAY, EQUIPMENT, ASSEMBLY							1	L73	B	7/3	
		Spares for:-											
28M/9480017	AGS 2001/E/1	NUT, stiff, 1/4" BSF							2	-	C	7/1	
42929	E G7.11.193	PIN, roller							4	S95	C	7/9	
42930	E G7.11.201	PIN, locating							2	S95	C	7/6	
42931	E G7.11.195	ROLLER							4	S95	C	7/7	
28W/9418921	SP13/E	WASHER, 1/4" BSF plain							2	-	C	7/2	
28D/9133011	A25/2C	Attaching parts for E.G7.11.475:-											
28M/1278190	AGS 2001/C/1	Bolt, 2 BA hex. head							16	-	C	7/8	
28W/9419402	SP13/C	Nut, stiff, 2 BA							16	-	C	7/4	
		Washer, 2 BA plain							16	-	C	7/5	
	E G7.82.777	TRAY, MOUNTING, No. 12, ARI.23165							1	-	-	7/10	
		POWER SUPPLY, ASSEMBLY											
		Consisting of:-											
R 110AJ/4686754	RAYTHEON MS 91405-B102	BASE, mounting							1	-	B	7/11	
	E G7.82.945	LABEL							1	-	-	7/12	
42932	E G7.11.475	TRAY, EQUIPMENT, ASSEMBLY							1	L73	B	7/3	
		Spares for:-											
28M/9480017	AGS 2001/E/1	NUT, stiff, 1/4" BSF							2	-	C	7/1	
42929	E G7.11.193	PIN, roller							4	S95	C	7/9	
42930	E G7.11.201	PIN, locating							2	S95	C	7/6	
42931	E G7.11.195	ROLLER							4	S95	C	7/7	
28W/9418921	SP13/E	WASHER, 1/4" BSF plain							2	-	C	7/2	
28D/9133011	A25/2C	Attaching parts for E. G7.11.475:-											
28M/1278190	AGS 2001/C/1	Bolt, 2 BA hex. head							16	-	C	7/8	
28W/9419402	SP13/C	Nut, stiff, 2 BA							16	-	C	7/4	
		Washer, 2 BA plain							16	-	C	7/5	
10AJ/2226350	E G7.82.779	TRAY, MOUNTING, No. 5, ARI.23167							1	-	B	7/40	
		POWER SUPPLY, ASSEMBLY											
		Consisting of:-											
110AJ/4686779	016-001927	BASE, mounting							1	-	B	7/41	
	E.G7.82.921	LABEL							1	-	-	7/42	

ELECTRONIC EQUIPMENT IN CENTRE FUSELAGE

Part Number	1 2 3 4 5 6	Description	No. Off	Matl. Spec.	Plate No.
EG7.11.475	TRAY, EQUIPMENT, ASSEMBLY Spares for:—	1	L73	7/3
AGS2001/E/1	NUT, stiff, 1/4" BSF	2	—	7/1
EG7.11.193	PIN	4	S95	7/9
EG7.11.201	PIN	2	S95	7/6
EG7.11.195	ROLLER	4	S95	7/7
SP13/E	WASHER, 1/4" BSF plain	2	—	7/2
A25/2C	Bolt, 2 BA hex. head	16	—	7/8
AGS2001/C/1	Nut, stiff, 2 BA	16	—	7/4
SP13/C	Washer, 2 BA plain	16	—	7/5
EG7.82.781	TRAY, MOUNTING, No.7 ARI.23167 TRANSMITTER, ASSEMBLY Consisting of:—	1	—	7/37
016-001930	BASE, mounting	1	—	7/38
EG7.82.923	LABEL	1	—	7/39
EG7.11.475	TRAY, EQUIPMENT, ASSEMBLY Spares for:—	1	L73	7/3
AGS2001/E/1	NUT, stiff, 1/4" BSF	2	—	7/1
EG7.11.193	PIN	4	S95	7/9
EG7.11.201	PIN	2	S95	7/6
EG7.11.195	ROLLER	4	S95	7/7
SP13/E	WASHER, 1/4" BSF plain	2	—	7/2
A25/2C	Bolt, 2 BA hex. head	16	—	7/8
AGS2001/C/1	Nut, stiff, 2 BA	16	—	7/4
SP13/C	Washer, 2 BA plain	16	—	7/5
EG7.82.783	TRAY, MOUNTING, No.13, ARI.18207 TRANSMITTER, ASSEMBLY Consisting of:—	1	—	7/31
RAYTHEON					
MS91405-B101	BASE, mounting	1	—	7/32
EG7.82.956	LABEL	1	—	7/33
EG7.11.475	TRAY, equipment, assembly Spares for:—	1	L73	7/3
AGS2001/E/1	NUT, stiff, 1/4" BSF	2	—	7/1
EG7.11.193	PIN, roller	4	S95	7/9
EG7.11.201	PIN, locating	2	S95	7/6
EG7.11.195	ROLLER	4	S95	7/7
SP13/E	WASHER, 1/4" BSF plain	2	—	7/2
A25/2C	Bolt, 2 BA hex. head	16	—	7/8
AGS2001/C/1	Nut, stiff, 2 BA	16	—	7/4
SP13/C	Washer, 2 BA plain	16	—	7/5

RADIO AND RADAR

ELECTRONIC EQUIPMENT IN CENTRE FUSELAGE

Part Number	1 2 3 4 5 6	Description	No. Off	Mati. Spec.	Plate No.
EG7.82.785	. . .	TRAY, MOUNTING, No.9, ARI.23166 TRANSMITTER, ASSEMBLY Consisting of:—	1	—	7/34
840-20	. . .	BASE, mounting	1	—	7/35
EG7.82.939	. . .	LABEL	1	—	7/36
EG7.11.475	. . .	TRAY, EQUIPMENT, ASSEMBLY Spares for:—	1	L73	7/3
AGS2001/E/1	NUT, stiff 1/4" BSF	2	—	7/1
EG7.11.193	PIN, roller	4	S95	7/9
EG7.11.201	PIN, locating	2	S95	7/6
EG7.11.195	ROLLER	4	S95	7/7
SP13/E	WASHER, 1/4" BSF plain Attaching parts for EG7.11.475:—	2	—	7/2
A25/2C	. . .	Bolt, 2 BA hex. head	16	—	7/8
AGS2001/C/1	. . .	Nut, stiff, 2 BA	16	—	7/4
SP13/C	. . .	Washer, 2 BA plain	16	—	7/5
EG7.82.787	. . .	TRAY, MOUNTING, No.7 ARI.23166 TRANSMITTER, ASSEMBLY Consisting of:—	1	—	7/43
840-20	. . .	BASE, mounting	1	—	7/44
EG7.82.937	. . .	LABEL	1	—	7/45
EG7.11.475	. . .	TRAY, EQUIPMENT, ASSEMBLY Spares for:—	1	L73	7/3
AGS2001/E/1	NUT, stiff, 1/4" BSF	2	—	7/1
EG7.11.193	PIN, roller	4	S95	7/9
EG7.11.201	PIN, locating	2	S95	7/6
EG7.11.195	ROLLER	4	S95	7/7
SP13/E	WASHER, 1/4" BSF plain Attaching parts for EG7.11.475:—	2	—	7/2
A25/2C	. . .	Bolt, 2 BA hex.head	16	—	7/8
AGS2001/C/1	. . .	Nut, stiff, 2 BA	16	—	7/4
SP13/C	. . .	Washer, 2 BA plain	16	—	7/5
R —	. . .	WAVEGUIDES, IN BOMB BAY FORWARD END, INSTALLATION (EG7.82.637) (Pre Mod 5466) Spares for:—	—	—	9/19
MARCONI R60-1761-50 or A102/9C	. . .	BOLT, 8 UNC, waveguide at purging point	4	—	9/8
MARCONI R60-1761-51 or A102/4C	. . .	BOLT, 8-32 UNC	4	—	
MARCONI R60-1761-52 or A102/1C	. . .	BOLT, 8 UNC, waveguide flanges connecting	12	—	9/20
MARCONI R60-1761-53 or A102/3C	. . .	BOLT, 8-32 UNC	12	—	
MARCONI R60-1761-54 or A102/7C	. . .	BOLT, 8 UNC, waveguide flanges connecting	36	—	9/1
	. . .	BOLT, 8-32 UNC	36	—	
	. . .	BOLT, 8 UNC, waveguide flange at spacer	12	—	9/7
	. . .	BOLT, 8-32 UNC	12	—	
	. . .	BOLT, 8 UNC, waveguide flange at spacer	4	—	9/12
	. . .	BOLT, 8-32 UNC	4	—	

ELECTRONIC EQUIPMENT IN CENTRE FUSELAGE

Ref. No.	Part No.	Description	No. off	Matl. Spec.	Cl. of Equip. M.R. L.M.	Fig. and Index
	E.G7.82.1409	BRACKET, WAVEGUIDE SUPPORT, FRAME 13, ... ASSEMBLY Spares for:—	1	—	—	8/25
	E.G7.82.2295	BRACKET, SUPPORT, ASSEMBLY Spares for:—	1	L72	—	8/17
	E.G7.82.1423	BLOCK, packing	2	Tufnot	—	8/12
	E.G7.82.2297	BRACKET	1	L72	—	8/16
42849	E.G7.82.1391	CLIP	2	L72	C	8/9
		Attaching parts for E.G7.82.1391:—				
28D/9133013	A25/5C	Bolt, 2 BA hex. head	2	—	C	8/8
28W/9419475	SP15/C	Washer, 2 BA plain	2	—	C	8/6
	E.G7.82.1317	TUBE, assembly	1	L56	—	8/26
		Attaching parts for E.G7.82.1317:—				
28D/9133011	A25/2C	Bolt, 2 BA hex. head	2	—	C	8/19
28D/9133012	A25/3C	Bolt, 2 BA hex. head	1	—	C	8/30
28M/9403520	A27/CP	Nut, 2 BA plain	3	—	C	8/28
28W/9419475	SP15/C	Washer, 2 BA plain	3	—	C	8/29
	E.G7.82.1415	TUBE, assembly	2	L56	—	8/15
		Attaching parts for E.G7.82.1415:—				
28D/9133011	A25/2C	Bolt, 2 BA hex. head	2	—	C	8/10
28D/9133012	A25/3C	Bolt, 2 BA hex. head	1	—	C	8/7
28M/9403520	A27/CP	Nut, 2 BA plain	3	—	C	8/13
28W/9419475	SP15/C	Washer, 2 BA plain	3	—	C	8/12
	E.G7.82.1417	TUBE, assembly	1	L56	—	8/18
		Attaching parts for E.G7.82.1417:—				
28D/9133011	A25/2C	Bolt, 2 BA hex. head	2	—	C	8/11
28D/9133012	A25/3C	Bolt, 2 BA hex. head	1	—	C	8/23
28M/9403520	A27/CP	Nut, 2 BA plain	3	—	C	8/4
28W/9419475	SP15/C	Washer, 2 BA plain	3	—	C	8/21
	E.G7.82.1419	TUBE, assembly	1	L56	—	8/2
		Attaching parts for E.G7.82.1419:—				
28D/9133011	A25/2C	Bolt, 2 BA hex. head	2	—	C	8/14
28D/9133012	A25/3C	Bolt, 2 BA hex. head	1	—	C	8/5
28M/9403520	A27/CP	Nut, 2 BA plain	3	—	C	8/3
28W/9419475	SP15/C	Washer, 2 BA plain	3	—	C	8/1
	E.G7.82.1563	BRACKET, WAVEGUIDE SUPPORT BETWEEN FRAMES 14 AND 15, ASSEMBLY Spares for:—	1	—	—	9/33
10AC/0839009	†	BOLT, 8 UNC, waveguide at visor	2	—	C	9/40
42849	E.G7.82.1391	CLIP	3	L72	C	9/38
		Attaching parts for E.G7.82.1391:—				
28D/9436920	A25/1C	Bolt, 2 BA hex. head	2	—	C	9/35
28W/9419402	SP13/C	Washer, 2 BA plain	2	—	C	9/36

RADIO AND RADAR

ELECTRONIC EQUIPMENT IN CENTRE FUSELAGE

Ref. No.	Part No.	Description	No. off	Matl. Spec.	Cl. of Equip. M.R. L.M.	Fig. and Index
42933	E.G7.82.1659	CLIP, assembly	1	L72	C	9/28
28D/9436920	A25/1C	Attaching parts for E.G7.82.1659:-				
28W/9419402	SP13/C	Bolt, 2 BA hex. head	2	-	C	9/30
		Washer, 2 BA plain	2	-	C	9/32
10AC/9839055	†	NUT, 8 UNC, for special bolt at visor	2	-	C	9/39
26DK/10317	HELLERMANN EE.11/2	SECTION, extruded	QR	-	C	9/43
		Attaching parts for EE.11/2:-				
33H/270	EC.1099	Adhesive	QR	-	C	9/44
42934	E.G7.82.1609	STUD, special, 2 BA	2	S94	C	9/42
42935	E.G7.82.1679	VISOR, assembly	1	L72	C	9/41
	E.G7.82.2403	BRACKET, WAVEGUIDE SUPPORT FRAME 13, ASSEMBLY	1	-	-	10/36
		Spares for:-				
	E.G7.82.2415	BRACKET, assembly	1	L72	-	10/24
		Spares for:-				
	E.G7.82.1327	BLOCK, pecking	1	Tufnol	-	10/21
	E.G7.82.2417	BRACKET	1	L72	-	10/25
	E.G7.82.1253	CLIP, assembly	1	L72	-	10/23
		Attaching parts for E.G7.82.1253:-				
28D/1200119	A25/4C	Bolt, 2 BA hex. head	4	-	C	10/26
28W/9419475	SP15/C	Washer, 2 BA plain	4	-	C	10/34
	E.G7.82.1257	TUBE, assembly	1	L56	-	10/40
		Attaching parts for E.G7.82.1257:-				
28D/9133011	A25/2C	Bolt, 2 BA hex. head	2	-	C	10/29
28D/9133012	A25/3C	Bolt, 2 BA hex. head	1	-	C	10/39
28M/1278190	AGS.2001/C/1	Nut, stiff, 2 BA	3	-	C	10/35
28W/9419475	SP15/C	Washer, 2 BA plain	3	-	C	10/33
	E.G7.82.1259	TUBE, assembly	1	L56	-	10/42
		Attaching parts for E.G7.82.1259:-				
28D/9133011	A25/2C	Bolt, 2 BA hex head	3	-	C	10/38
28M/1278190	AGS.2001/C/1	Nut, stiff, 2 BA	3	-	C	10/41
28W/9419475	SP15/C	Washer, 2 BA plain	3	-	C	10/37
	E.G7.82.2407	TUBE, assembly	1	L56	-	10/27
		Attaching parts for E.G7.82.2407:-				
28D/9133011	A25/2C	Bolt, 2 BA hex. head	2	-	C	10/22
28D/1200119	A25/4C	Bolt, 2 BA hex. head	1	-	C	10/31
28M/1278190	AGS.2001/C/1	Nut, stiff, 2 BA	3	-	C	10/32
28W/9419475	SP15/C	Washer, 2 BA plain	3	-	C	10/28
	-	CHANNEL, SWITCH MOUNTING, AT FRAME 13, ASSEMBLY (E.G7.82.1457)	-	-	-	8/36
		Spares for:-				
	E.G7.82.1469	BRACKET, SWITCH MOUNTING, ASSEMBLY	2	-	-	8/39
		Consisting of:-				
28D/1011024	A25/21C	BOLT, 2 BA hex. head	3	-	C	8/43
	E.G7.82.1471	BRACKET, switch, assembly	1	L72	-	8/34
	E.G7.82.1477	BRACKET, switch, assembly	1	L72	-	8/40
28M/1278190	AGS.2001/C/1	NUT, stiff, 2 BA	3	-	C	8/32

RADIO AND RADAR
ELECTRONIC EQUIPMENT IN CENTRE FUSELAGE

Part Number	Description	No. Off	Mati. Spec.	Plate No.
EG7.82.1479 STEADY, switch	1	Tufnol	8/37
AS2809/4/182 TUBE, distance	3	L72	8/41
SP15/C WASHER, 2BA plain	3	-	8/35
	Attaching parts for EG7.82.1469:			
A25/1C Bolt, 2BA hex. head	4	-	8/31
SP13/C Washer, 2BA plain	4	-	8/33
EG7.82.1459 CHANNEL, switch mounting, assembly	1	L72	8/38
	Attaching parts for EG7.82.1459:			
A25/2C Bolt, 2BA hex. head	10	-	8/42
AGS2001/C/1 Nut, stiff, 2BA	10	-	8/44
SP16/C Washer, 2BA plain	10	-	8/45
EG7.82.2533 CLIP, bonding, waveguide	1	L59	8/27
	Attaching parts for EG7.82.2533:			
A25/2C Bolt, 2BA hex. head	1	-	8/24
AGS2001/C/1 Nut, stiff, 2BA	1	-	8/20
SP15/C Washer, 2BA plain	2	-	8/22
- MODULATOR, FERRITE, ON FRAME 13, INSTALLATION (EG7.82.2435)	-	-	10/30
	Spares for:			
EG7.82.2437 BRACKET, ferrite modulator, assembly	1	L72	10/5
	Attaching parts for EG7.82.2437:			
A25/3C Bolt, 2BA hex. head	6	-	10/4
AGS2001/C/1 Nut, stiff, 2BA	6	-	10/3
SP15/C Washer, 2BA plain	6	-	10/2
EG7.82.2493 BRACKET, flexible waveguide, assembly	1	L72	10/19
	Attaching parts for EG7.82.2493:			
A25/1C Bolt, 2BA hex. head	2	-	10/20
A25/3C Bolt, 2BA hex. head	2	-	10/16
AGS2001/C/1 Nut, stiff, 2BA	4	-	10/15
SP15/C Washer, 2BA plain	4	-	10/13
SP16/C Washer, 2BA plain	2	-	10/14
EG7.82.2485 MODULATOR, C/W ADAPTOR PLATE, ASSEMBLY	1	-	10/12
	Spares for:			
D800659-66 MODULATOR, D800659-66 (Mod.5433)	1	-	10/18
	Attaching parts for D800659-66			
AS1242/2B Bolt, 4BA c'sk head	8	-	10/9
AGS2001/B/1 Nut, stiff, 4BA	8	-	10/11
SP13/B Washer, 4BA plain	8	-	10/10
EG7.82.2473 PLATE, adaptor, assembly	1	L72	10/17
	Attaching parts for EG7.82.2485:			
A25/3C Bolt, 2BA hex. head	4	-	10/6
SP15/C Washer, 2BA plain	4	-	10/7
EG7.82.2519 PLATE, radius	2	L72	10/8
EG7.82.2521 PLATE, radius	1	L72	10/1
PP/Z086/14/5 NUT, 8 UNC, waveguide flange attachments	32	-	9/6

RADIO AND RADAR

ELECTRONIC EQUIPMENT IN CENTRE FUSELAGE

Part Number	Description	No. Off	Mati. Spec.	Plate No.						
					1	2	3	4	5	6
R MARCONI FW61-3938-50	. . PLUG, blanking	1	—	9/4						
	. . RING, sealing, at switch flanges	6	—	9/13						
MS90064-13	. . RUBBER, "sorbo", waveguide at clip attachment, 3".25 x 1".0 x 1/8" thick	6	—	9/34						
		1	—	9/27						
R R R R 10AS/0830053	. . SEAL, rubber, round section, waveguide flange sealing	30	—	9/3						
	. . SHIM, waveguide at transmitter/receiver	1	—	9/5						
R30-9084-50	. . SWITCH, "donian", W.6XA/1 (Pre SAS4745)	2	—	9/21						
	. . SWITCH, "donian" (SAS4745)	2	—							
R30-9084-50	Attaching parts for R30-9084-50:									
	. . Bolt, 8 UNC, hex. head	3	—	9/22						
A102/3C	. . Washer, 3/16" dia., double spring	3	—	9/23						
SP55/C										
MARCONI R60-1717-01	. . SPACER, purging point	1	—	9/16						
MARCONI R60-1760-01	. . SPACER	1	—	9/10						
MARCONI R60-1715-53	. . WAVEGUIDE, "twistaguide", inboard switch to modulator	1	—	9/14						
MARCONI R60-1715-52	. . WAVEGUIDE, "twistaguide", modulator to spacer	1	—	9/2						
MARCONI R60-1720-01	. . WAVEGUIDE, rigid, assembly, from inboard switch, repeater output line	1	—	9/24						
MARCONI R60-1721-01	. . WAVEGUIDE, rigid, assembly, repeater output line	1	—	9/11						
MARCONI R60-1722-50	. . WAVEGUIDE, flexible, assembly, output lines to inboard and outboard switches	2	—	9/26						
MARCONI R60-1724-01	. . WAVEGUIDE, rigid, assembly, spacer to transmitter	1	—	9/15						
MARCONI R60-1724-02	. . WAVEGUIDE, rigid, assembly, outboard switch to receiver line	1	—	9/37						
MARCONI R60-1727-50	. . WAVEGUIDE, flexible, assembly, spacer to transmitter	1	—	9/17						
MARCONI R60-1728-01	. . WAVEGUIDE, rigid, assembly, outboard switch to repeater, input line	1	—	9/18						
MARCONI R60-1729-50	. . WAVEGUIDE, flexible, assembly, outboard	1	—	9/25						
MARCONI R60-1730-01	. . WAVEGUIDE, rigid, assembly, outboard switch to receiver line	1	—	9/31						
MARCONI R60-1731-01	. . WAVEGUIDE, rigid, assembly, outboard switch to receiver line	1	—	9/29						
MARCONI R60-1757-01	. . WINDOW, pressure	5	—	9/9						

RADIO AND RADAR

ELECTRONIC EQUIPMENT IN CENTRE FUSELAGE

Part Number	Description	No. Off	Mtl. Spec.	Plate No.	
					1
—	WAVEGUIDES IN BOMB BAY, AFT END, INSTALLATION (EG7.82.639) (Pre Mod 5466) Spares for:	—	—	11/9	
MARCONI R60-1761-50	BOLT, 8 UNC, waveguide flange at purging point	4	—	11/14	
or A102/9C	BOLT, 8-32 UNC	4	—		
MARCONI R60-1761-51	BOLT, 8 UNC, waveguide flanges at pressure windows	12	—	11/1	
or A102/4C	BOLT, 8-32 UNC	12	—		
MARCONI R60-1761-52	BOLT, 8 UNC, waveguide flanges locating	36	—	11/12	
or A102/1C	BOLT, 8-32 UNC	36	—		
MARCONI R60-1761-53	BOLT, 8 UNC, waveguides connecting	16	—	11/2	
or A102/3C	BOLT, 8-32 UNC	16	—		
MARCONI R60-1761-54	BOLT, 8 UNC, waveguide at spacer	4	—	11/13	
or A102/7C	BOLT, 8-32 UNC	4	—		
EG7.82.1611	BRACKET, WAVEGUIDE SUPPORT, FRAMES 26 TO 27, ASSEMBLY Spares for:	1	—	11/43	
TB/B610399	BOLT, 8 UNC, waveguide attachment	4	—	11/38	
EG7.82.1391	CLIP, assembly Attaching parts for EG7.82.1391:	2	L72	11/31	
A25/1C	Bolt, 2BA hex. head	2	—	11/33	
SP13/C	Washer, 2BA plain	2	—	11/34	
PP/Z086/14/5	NUT, 8 UNC, waveguide bolt	4	—	11/37	
HELLERMANN EE11/2	SECTION, extruded Attaching parts for EE11/2:	QR	—	11/41	
EC1099	Adhesive	QR	—	11/42	
EG7.82.1609	STUD, special	2	S94	11/40	
EG7.82.1579	VISOR, assembly	1	L72	11/39	
EG7.82.1715	BRACKET, WAVEGUIDE SUPPORT, FRAME 28, ASSEMBLY Spares for:	1	—	12/18	
EG7.82.1389	CLIP Attaching parts for EG7.82.1389:	1	L72	12/17	
A25/1C	Bolt, 2BA hex. head	2	—	12/19	
SP13/C	Washer, 2BA plain	2	—	12/20	
EG7.82.1721	BRACKET, SWITCH MOUNTING AT FRAME 24, ASSEMBLY Spares for:	1	—	13/9	
EG7.82.1469	BRACKET, SWITCH MOUNTING, ASSEMBLY Consisting of:	2	—	13/15	
A25/21C	BOLT, 2BA hex. head	3	—	13/17	
EG7.82.1471	BRACKET, switch, assembly	1	L72	13/10	
EG7.82.1477	BRACKET, switch, assembly	1	L72	13/14	
AGS2001/C/1	NUT, stiff, 2BA	3	—	13/5	
EG7.82.1479	STEADY, switch	1	Tufnol	13/13	
AS2809/4/182	TUBE, distance	3	L62	13/11	

RADIO AND RADAR
ELECTRONIC EQUIPMENT IN CENTRE FUSELAGE

Part Number	1 2 3 4 5 6	Description	No. Off	Matl. Spec.	Plate No.
SP15/C		WASHER, 2BA plain	3	—	13/8
		Attaching parts for EG7.82.1469:			
A25/1C		Bolt, 2BA hex. head	4	—	13/6
SP15/C		Washer, 2BA plain	4	—	13/7
EG7.82.1725		BRACKET, mounting, assembly	1	L72	13/12
EG7.82.2533		CLIP, bonding, waveguide	1	L59	13/1
		Attaching parts for EG7.82.2533:			
A25/2C		Bolt, 2BA hex. head	1	—	13/2
AGS2001/C1		Nut, stiff, 2BA	1	—	13/3
SP15/C		Washer, 2BA plain	2	—	13/4
EG7.82.1641		CLAMP, WAVEGUIDE, AT FRAME 29, ASSEMBLY	1	—	13/18
		Spares for:			
EG7.82.1649		ANGLE	2	L73	13/20
EG7.82.1301		BOLT, special, 1/4" BSF	2	S96	13/16
EG7.82.1643		BRACKET, assembly	1	L73	13/28
EG7.82.1289		CHANNEL, assembly	2	L72	13/19
		Attaching parts for EG7.82.1289:			
A25/2C		Bolt, 2BA hex. head	2	—	13/27
SP13/C		Washer, 2BA plain	2	—	13/26
EG7.82.1273		CLIP, assembly	1	L72	13/22
		Attaching parts for EG7.82.1273:			
A25/3C		Bolt, 2BA hex. head	4	—	13/25
EEAS20/3DR		Tab, locking	2	L72	13/24
SP13/C		Washer, 2BA plain	4	—	13/23
EG7.82.1283		SPACER	1	Tufnol	13/21
—		MODULATOR, FERRITE, MOUNTING, FRAME 29, ASSEMBLY (EG7.82.2467)	—	—	12/16
		Spares for:			
EG7.82.2479		BRACKET, "TWISTAGUIDE" SUPPORT, ASSEMBLY	1	L72	12/10
		Spares for:			
EG7.82.2511		CLIP, assembly	1	L72	12/8
		Attaching parts for EG7.82.2511:			
A25/2C		Bolt, 2BA hex. head	4	—	12/14
SP13/C		Washer, 2BA plain	4	—	12/12
		Attaching parts for EG7.82.2479:			
A25/3C		Bolt, 2BA hex. head	4	—	12/13
AGS2001/C/1		Nut, stiff, 2BA	4	—	12/11
SP16/C		Washer, 2BA plain	4	—	12/15
EG7.82.2485		MODULATOR, C/W ADAPTOR PLATE, ASSEMBLY	1	—	12/2
		Spares for:			
D800659-66		MODULATOR, ferrite, type D800659-66 (Mod.5443)	1	—	12/1
		Attaching parts for D800659-66			
AS1242/2B		Bolt, 4BA c'sk head	8	—	12/5
AGS2001/B/1		Nut, stiff, 4BA	8	—	12/3
SP13/B		Washer, 4BA plain	8	—	12/4

RADIO AND RADAR

ELECTRONIC EQUIPMENT IN CENTRE FUSELAGE

Part Number	Description	No. Off	Mati. Spec.	Plate No.	
					1
EG7.82.2473	PLATE, adaptor, assembly Attaching parts for EG7.82.2435:	1	L72	12/9	
A25/2C	Bolt, 2BA hex. head	4	-	12/7	
SP16/C	Washer, 2BA plain	4	-	12/6	
R 10AC/9839055	NUT, 8 UNC, waveguide attachments	32	-	11/3	
MARCONI					
FW61-3938-50	PLUG, blanking	1	-	11/6	
MS90064-13	RING, sealing, at switch flanges	6	-	11/16	
†	RUBBER, "sorbo", waveguides at clip attachments, 3".25 x 1" x 1/8" thick	3	-	11/32	
†	RUBBER, "sorbo", waveguide clamp, frame 29, 3".25 x 2".8 x 1/8" thick	1	-	11/27	
†	RUBBER, "sorbo", clip at switch bracket, frame 29, 4".15 x 1".9 x 1/8" thick	1	-	11/11	
R 10AS/0830053	SEAL, rubber, round section, at waveguide flanges	30	-	11/5	
R 10AS/0839004	SHIM, waveguide to transmitter/receiver, aft of frame 28	1	-	11/23	
MARCONI					
R60-1717-01	SPACER, purging point	1	-	11/15	
MARCONI					
R60-1760-01	SPACER	1	-	11/8	
MARCONI					
R30-9084-50	SWITCH, "donlan", W6 x A1 Attaching parts for R30-9084-50:	2	-	11/21	
A102/3C	Bolt, 8 UNC hex. head	3	-	11/17	
SP55/C	Washer, 3/16" dia., double spring	3	-	11/18	
MARCONI					
R60-1715-54	WAVEGUIDE, "twistaguide", assembly, modulator to outboard switch	1	-	11/10	
MARCONI					
R60-1715-51	WAVEGUIDE, "twistaguide", assembly, modulator to purging spacer	1	-	11/4	
MARCONI					
R60-1716-50	WAVEGUIDE, flexible, assembly, purging spacer to transmitter	1	-	11/19	
MARCONI					
R60-1601-02	WAVEGUIDE, stepped, twist, assembly, repeater input line	1	-	11/28	
MARCONI					
R60-1722-50	WAVEGUIDE, flexible, assembly, repeater and receiver line	2	-	11/29	
MARCONI					
R60-1724-01	WAVEGUIDE, rigid, assembly, at transmitter	1	-	11/22	
MARCONI					
R 60-1724-02	WAVEGUIDE, rigid, assembly, at receiver	1	-	11/36	
MARCONI					
R 60-1727-50	WAVEGUIDE, flexible, assembly, stepped waveguide to repeater, input line	1	-	11/25	
MARCONI					
R60-1730-01	WAVEGUIDE, rigid, assembly, outboard switch to repeater, output line	1	-	11/24	

RADIO AND RADAR

ELECTRONIC EQUIPMENT IN CENTRE FUSELAGE

Part Number	Description	No. Off	Matl. Spec.	Plate No.					
				1	2	3	4	5	6
MARCONI R60-1732-01	. . WAVEGUIDE, rigid, assembly, outboard switch to repeater, output line	1	—						11/26
MARCONI R60-1735-01	. . WAVEGUIDE, rigid, assembly, inboard switch to repeater, input line	1	—						11/29
MARCONI R60-1736-01	. . WAVEGUIDE, rigid, assembly, inboard switch to receiver line	1	—						11/35
MARCONI R60-1737-01	. . WAVEGUIDE, rigid, assembly, inboard switch to receiver line	1	—						11/30
MARCONI R60-1757-01	. . WINDOW, pressure	5	—						11/7
—	. . WIRING AND CLIPPING IN CENTRE FUSELAGE PACKS, ASSEMBLY (EG7.82.801) (Pre Mod 5466) Spares for:	—	—						14/29
M.M.M. EC1099	. . ADHESIVE	QR	—						14/39
EEAS552/2	. . BOBBIN, distance	2	L65						14/31
EEAS552/9	. . BOBBIN, distance	2	L65						14/25
EG7.82.837	. . BONDING, flexible, assembly Attaching parts for EG7.82.837:	6	Copper Braid						14/21
A25/2E	. . Bolt, 1/4" BSF hex. head	2	—						14/23
SP13/E	. . Washer, 1/4" BSF plain	2	—						14/24
EG7.82.911	. . CLIP, saddle, assembly Attaching parts for EG7.82.911:	1	L72						14/44
AS1248/1B	. . Bolt, 4BA mushroom head	2	—						14/41
AGS2001/B/1	. . Nut, stiff, 4BA	2	—						14/45
EEAS237/6A	. . Washer, 'D'	2	L72						14/43
EB2.81.1829	. . CLIP, 'P' Attaching parts for EB2.81.1829:	1	—						14/5
A25/1/2B	. . Bolt, 4BA hex. head	1	—						14/4
AGS2001/B/1	. . Nut, stiff, 4BA	1	—						14/2
EEAS237/6A	. . Washer, 'D'	1	L72						14/3
EG7.81.2181	. . CLIP, saddle, assembly	1	—						14/36
EG7.82.2817	. . CLIP, saddle, assembly Attaching parts for EG7.81.2181 and EG7.82.2817:	1	—						14/42
A25/1/2C	. . Bolt, 2BA hex. head	2	—						14/37
AGS2001/C/1	. . Nut, stiff, 2BA	2	—						14/38
SUPERFLEXIT SCF1312-12	. . CLIP, 'P', superflexit conduit	2	—						14/9
SUPERFLEXIT SCF1312-16	. . CLIP, 'P', superflexit conduit Attaching parts for SCF1312-12 and SCF1312-16:	3	—						14/10
A25/1/2B	. . Bolt, 4BA hex. head	1	—						14/13
AGS2001/B/1	. . Nut, stiff, 4BA	1	—						14/8
EEAS237/6A	. . Washer, 'D'	1	L72						14/12

ELECTRONIC EQUIPMENT IN CENTRE FUSELAGE

Ref. No.	Part No.	Description							No. off	Matl. Spec.	Cl. of Equip. M.R. L.M.	Fig. and Index
		1	2	3	4	5	6	7				
	-	DRILLING, DETAILS FOR PACK WIRING ASSEMBLY (E.G7.82.807)							-	-	-	14/30
		Spares for:-										
6734	EEAS.136	BRACKET, clip							8	L72	C	14/1
	E.G7.82.839	BRACKET, clip							1	L72	-	14/16
		Attaching parts for E.G7.82.839:-										
28D/1213043	AS.4566/1B	Bolt, 4 BA mushroom head							2	-	C	14/17
28M/1278189	AGS.2001/B/1	Nut, suff, 4 BA							2	-	C	14/6
28W/9419465	SP13/B	Washer, 4 BA plain							2	-	C	14/11
	E.G7.82.805	RETAINER, cable strap, assembly							17	L72	-	14/26
26DK/10317	HELLERMANN EE.11/2	EXTRUSION, rubber, helsyn 150							QR	-	C	14/40
R	6101462	PAD, rubber, cable straps							41	-	C	14/28
	10H/	RECEPTACLE, dummy							2	-	-	14/15
		Attaching parts for HN.82GB-0510:-										
28D/1008147	A25/1A	Bolt, 6 BA hex. head							4	-	C	14/18
	EEAS.588/1	Gasket, viton rubber, 1/32" thick							2	DTD5543	-	14/19
R	5X/4500980	RECEPTACLE, dummy, UK-AN							2	-	C	14/22
		Attaching parts for 22.139689:-										
28D/1010658	A25/1B	Bolt, 4 BA hex. head							4	-	C	14/20
	5X/10361	RECEPTACLE, dummy							1	-	C	14/14
		Attaching parts for 22.139691:-										
28D/9436920	A25/1C	Bolt, 2 BA hex. head							4	-	C	14/7
	E.B5.81.7481	STRAP, cable							4	-	-	14/27
	E.B5.81.7483	STRAP, cable							19	-	-	14/33
	E.B5.81.7485	STRAP, cable							18	-	-	14/32
5F/9434857	HV.3341	STRAPPING							QR	-	C	14/34
5F/9138823	NY.3255	STUD							QR	-	C	14/35

RADIO AND RADAR

ELECTRONIC EQUIPMENT IN FRONT FUSELAGE

Part Number	Description	No. Off	Mati. Spec.	Plate No.
-	ELECTRONIC EQUIPMENT IN FRONT FUSELAGE ASSEMBLY (EG7.82.1093) (Pre Mod 5466) Spares for:-	-	-	15/4
-	. . AERIALS AND RADOMES, FORWARD LOOKING ASSEMBLY (EG7.82.2011) (Pre Mod 5466)	-	-	15/12
-	. . AERIALS AND RADOMES, FORWARD LOOKING ASSEMBLY (EG7.82.5031) (Mod 5466) Spares for:-	-	-	
R MARCONI R60-1790-01	. . AERIAL, "I" BAND, cluster, upper and lower (ARI.23165) Attaching parts for R60-1790-01:-	2	-	15/8
A25/3C	. . Bolt, 2 BA hex. head	3	-	15/1
SP15/C	. . Washer, 2 BA plain	3	-	15/3
R MARCONI R60-1539-02	. . AERIAL, "I" band, horn, side, port and starboard (ARI.23165) (Pre Mod.5466)	2	-	15/29
R MARCONI R60-1349	. . AERIAL, "D" band, "TAMAR" (ARI.23166) (Pre Mod 5466) Attaching parts for R60-1349:-	1	-	15/33
AS1242/4/C	. . Bolt, 2 BA c'sk head	10	-	15/40
EG7.10.1655	. . Packing	1	L73	15/39
R MARCONI R60-1632-02	. . AERIAL, "E/F" band, horn, forward looking (ARI.23166) (Pre Mod 5466) Attaching parts for R60-1632-02:-	2	-	15/22
A31/C28	. . Screw, 2 BA cheese head	7	-	15/28
SP15/C	. . Washer, 2 BA plain	7	-	15/30
MARCONI R60-7030-01	. . AERIAL, metric, at centre line (ARI.23167) Attaching parts for R60-7030-01:-	1	-	15/26
A25/4C	. . Bolt, 2 BA hex. head	4	-	15/34
AS1246/3C	. . Bolt, 2 BA round head	4	-	15/27
SP16/C	. . Washer, 2 BA plain	4	-	15/31
R MARCONI R60-7040-50	. . BOLT, special, 8 UNC, "I" band, horn, aerial and waveguide attaching	8	-	15/25
R MARCONI R60-1761-53	. . BOLT, special, 8 UNC, upper and lower "I" band, cluster aerial and waveguides attaching	8	-	15/10
R EG7.82.2549	. . CLEAT, "tee", "I" band, horn, aerial and waveguide, port	1	L65	15/20
R EG7.82.2550	. . CLEAT, "tee", "I" band, horn, aerial and waveguide, starboard Attaching parts for EG7.82.2549 and 2550:-	1	L65	15/21
A25/2C	. . Bolt, 2 BA hex. head	4	-	15/16
AGS2001/C/1	. . Nut, stiff, 2 BA	4	-	15/14
SP15/C	. . Washer, 2 BA plain	4	-	15/15
R 28M/9523249 EG7.10.1249	. . NUT, special, 8 UNC . . RADOME, upper, "I" band cluster, assembly Attaching parts for EG7.10.1249:-	16 1	- L44	15/9 15/7
AS1248/3C	. . Bolt, 2 BA, mushroom head	35	-	15/2
AS1248/3E	. . Bolt, 1/4" BSF mushroom head	2	-	15/6

RADIO AND RADAR
ELECTRONIC EQUIPMENT IN FRONT FUSELAGE

Part Number	Description	No. Off	Mtl. Spec.	Plate No.
R EG7.10.1529	. . RADOME, lower, "I" band cluster, assembly	1	L44	15/32
	Attaching parts for EG7.10.1529:			
AS1248/3C	. . Bolt, 2BA mushroom head	31	-	15/38
AS1242/3E	. . Bolt, 1/4" BSF c'sk head	2	-	15/37
AS1242/16E	. . Bolt, 1/4" BSF c'sk head	1	-	15/36
R EG7.10.1253	. . RADOME, side, "I" band, horn aerial, port, assembly	1	L44	15/18
R EG7.10.1254	. . RADOME, side, "I" band, horn aerial, starboard, assembly	1	L44	15/19
	Attaching parts for EG7.10.1253 and EG7.10.1254:			
AS1248/3C	. . Bolt, 2BA mushroom head	27	-	15/11
AS1248/3E	. . Bolt, 1/4" BSF mushroom head	3	-	15/5
R EG7.10.1255	. . RADOME, forward, "E/F" and "A" band, assembly	1	L44	15/13
	Attaching parts for EG7.10.1255:			
AS1248/3E	. . Bolt, 1/4" BSF mushroom head	31	-	15/17
10AC/0830053	. . RING, sealing, aeriels to waveguides	8	-	15/35
R EG7.82.2603	. . SHIM, for "A" band, horn aerial angle adjustment, 5/16" x .002 lam. (Pre Mod 5466)	14	LA3	15/23
MARCONI				
R60-1757-01	. . WINDOW, pressure	2	-	15/24
EG7.82.1915	. . CABLE, ASSEMBLY, NR.37, FROM ARI.18207 CONTROL UNIT TO A.E. OPERATOR'S DIMMER CONTROL PANEL T/B, GROUP Consisting of:	1	-	
5E/9467424	. . CABLE, uninyvin 20	QR	-	
508/1/07776/001	. . CLAMP, cable	1	-	
508/2/07705/300	. . GASKET, outlet	1	-	
508/2/07719/300	. . GASKET, union	1	-	
508/2/07639/001	. . OUTLET, straight	1	-	
508/2/07708/300	. . RING, sealing	1	-	
508/2/07752/007	. . RING, thrust	1	-	
EEAS146/12	. . SLEEVE, 1/2" long (Pre SAS4745)	QR	-	
EEAS146/12/1/2	. . SLEEVE, 1/2" long (SAS4745)	QR	-	
EEAS146/12	. . SLEEVE, 1" long (Pre SAS4745)	QR	-	
EEAS146/12/1	. . SLEEVE, 1" long (SAS4745)	QR	-	
EEAS146/20/0.25	. . SLEEVE, 1/4" long (SAS4745)	QR	-	
EEAS146/20	. . SLEEVE, 3/4" long (Pre SAS4745)	QR	-	
EEAS146/20/1/2	. . SLEEVE, 3/4" long (SAS4745)	QR	-	
EEAS146/6/1/2	. . SLEEVE, 1/2" long (SAS4745)	QR	-	
EEAS146/6/1	. . SLEEVE, 1" long (SAS4745)	QR	-	
HT30	. . SLEEVE, Helsyn 150 white (SAS4745)	QR	-	
508/1/07001/220	. . SOCKET, free, Mk.7	1	-	
HC490	. . TAG, quick release (Pre SAS4745)	2	-	
HC490	. . TAG, QR (SAS4745)	6	-	
SCSHQ126662A2	. . CABLE, assembly (SRIM3932) (Mod.5176)	1	-	
SCSHQ126663A2	. . CABLE, assembly (SRIM3932) (Mod.5176)	1	-	
SCSHQ126664A2	. . CABLE, assembly (SRIM3932) (Mod.5176)	1	-	
SCSHQ126668A2	. . CABLE, assembly (SRIM3932) (Mod.5176)	1	-	
SCSHQ127607A1	. . CABLE, assembly (SRIM3932) (Mod.5176)	1	-	

RADIO AND RADAR

ELECTRONIC EQUIPMENT IN FRONT FUSELAGE

Part Number	Description	No. Off	Matl. Spec.	Plate No.
-	. CABLE, CO-AXIAL IN FRONT FUSELAGE, INSTALLATION (EG7.82.2005) Spares for:-	-	-	
EG7.82.2133	. . BRACKET, CO-AXIAL CABLE SUPPORT FORWARD OF FRAME 1, ASSEMBLY Spares for:-	1	-	16/24
A25/1C	. . . BOLT, 2 BA hex. head	4	-	16/25
A25/15C	. . . BOLT, 2 BA hex. head	3	-	16/22
EG7.82.2423	. . . CHANNEL, assembly	1	L72	16/17
EG7.82.2425	. . . CLAMP, assembly	1	Tufnol	16/19
AS2306/138	. . . TUBE, distance	3	-	16/23
SP13/C	. . . WASHER, 2 BA plain	7	-	16/21
EG7.82.2175	. . BRACKET, CO-AXIAL CABLE SUPPORT, FRAME 12, ASSEMBLY Spares for:-	1	-	16/16
EG7.82.2177	. . . BRACKET, support	1	L72	16/18
EG7.82.2179	. . . CLAMP Attaching parts for EG7.82.2179:-	1	Tufnol	16/20
A25/16C	. . . Bolt, 2 BA hex. head	2	-	16/13
SP15/C	. . . Washer, 2 BA plain	2	-	16/12
EG7.82.2525	. . . LINER (Make from 32C/432 or 158)	2	-	16/15
AS2306/158	. . . TUBE, distance	2	-	16/14
X156DG00201	. . . CABLE, assembly, flexible co-axial (Mod 5445)	1	-	
X156DG00202	. . . CABLE, assembly, flexible co-axial (Mod 5445)	1	-	
R60-1882-01	. . . CABLE, assembly, rigid co-axial, "E/F" band	1	-	
X156DG002020	. . . CABLE, assembly, flexible co-axial (Mod 5445)	1	-	
X156DG002022	. . . CABLE, assembly, flexible co-axial (Mod 5445)	1	-	
R60-1885-01	. . . CABLE, assembly, rigid co-axial "E/F" band	1	-	
R60-1887-01	. . . CABLE, assembly, rigid co-axial "D" band	1	-	
R60-1889-01	. . . CABLE, assembly, rigid co-axial "A" band	1	-	
EG7.82.2179	. . . CLAMP, frame 11 Attaching parts for EG7.82.2179:-	1	Tufnol	16/5
A25/19C	. . Bolt, 2 BA hex. head	2	-	16/6
EG7.82.2251	. . Packing	1	Tufnol	16/1
AS2306/158	. . Tube, distance	2	-	16/3
SP15/C	. . Washer, 2 BA plain	2	-	16/7

RADIO AND RADAR

ELECTRONIC EQUIPMENT IN FRONT FUSELAGE

Part Number	Description	No. Off	Matl. Spec.	Plate No.
-	. . . CLIP, FLEXIBLE, CO-AXIAL CABLE, FRAMES "D" AND "E", INSTALLATION (EG7.82.2605) Spares for:-	-	-	16/10
EG7.82.2607	. . . BRACKET	1	L72	16/4
AS3180/6B	. . . CLIP, "P" Attaching parts for AS3180/6B:-	1	-	16/11
A25/2B	. . . Bolt, 4 BA hex. head	1	-	16/9
SP15/B	. . . Washer, 4 BA plain	1	-	16/8
EG7.82.2609	. . . PACKING	1	L72	16/2
-	. . . DUCTS, WAVEGUIDE AND FAIRING, INSTALLATION (EG7.82.2643) (Pre Mod 5466)	-	-	17/20
-	. . . DUCTS, WAVEGUIDE AND FAIRING, INSTALLATION (EG7.82.5003) (Mod 5466) Spares for:-	-	-	
EG7.82.1191	. . . BOLT, special, 2 BA, waveguide clips securing	90	S95	17/5
EG7.82.1211	. . . BRACKET, waveguide duct, assembly Attaching parts for EG7.82.1211:-	1	L72	19/14
A25/3C	. . . Bolt, 2 BA hex. head	4	-	19/13
SP15/C	. . . Washer, 2 BA plain	4	-	19/6
EG7.82.1213	. . . BRACKET, waveguide duct, assembly Attaching parts for EG7.82.1213:-	1	L72	19/18
A25/3C	. . . Bolt, 2 BA hex. head	4	-	19/23
SP15/C	. . . Washer, 2 BA plain	4	-	19/20
EG7.82.1215	. . . BRACKET, waveguide duct, assembly Attaching parts for EG7.82.1215:-	1	L72	19/19
A25/3C	. . . Bolt, 2 BA hex. head	4	-	19/22
SP15/C	. . . Washer, 2 BA plain	4	-	19/21
EG7.82.1217	. . . BRACKET, waveguide duct, assembly Attaching parts for EG7.82.1217:-	1	L72	18/23
A25/3C	. . . Bolt, 2 BA hex. head	4	-	18/29
SP15/C	. . . Washer, 2 BA plain	4	-	18/28
EG7.82.2201	. . . BRACKET, waveguide duct, assembly Attaching parts for EG7.82.2201:-	1	L72	17/26
A25/3C	. . . Bolt, 2 BA hex. head	4	-	17/31
SP15/C	. . . Washer, 2 BA plain	4	-	17/27
EG7.82.2651	. . . BRACKET, waveguide duct, assembly Attaching parts for EG7.82.2651:-	5	L72	17/8
A25/3C	. . . Bolt, 2 BA hex. head	4	-	17/17
SP15/C	. . . Washer, 2 BA plain	4	-	17/12
EG7.82.2653	. . . BRACKET, waveguide duct, assembly Attaching parts for EG7.82.2653:-	1	L72	17/30
A25/3C	. . . Bolt, 2 BA hex. head	4	-	17/35
SP15/C	. . . Washer, 2 BA plain	4	-	17/34
EG7.82.2655	. . . BRACKET, waveguide duct, assembly Attaching parts for EG7.82.2655:-	1	L72	19/16
A25/3C	. . . Bolt, 2 BA hex. head	4	-	19/17
SP15/C	. . . Washer, 2 BA plain	4	-	19/15

RADIO AND RADAR

ELECTRONIC EQUIPMENT IN FRONT FUSELAGE

Part Number	1 2 3 4 5 6	Description	No. Off	Mati. Spec.	Plate No.
EG7.82.2657	BRACKET, waveguide duct, assembly Attaching parts for EG7.82.2657:-	7	L72	18/6
A25/3C	Bolt, 2 BA hex. head	4	-	18/11
SP15/C	Washer, 2 BA plain	4	-	18/10
EG7.82.1329	CLIP, WAVEGUIDE, ASSEMBLY Consisting of:-	12	-	17/14
EG7.82.1331	CLIP	1	L72	17/13
AGS2001/C/1	NUT, stiff, 2 BA	4	-	17/3
EG7.82.1337	PLATE, base	1	L72	17/15
EG7.82.2367	PLATE, bolt, bearing, 2 BA	2	S510	17/7
EG7.82.2399	SHIM, laminated, 1/32" thick x .002 lam.	2	Lam.Alum.	17/4
SP15/C	WASHER, 2 BA plain	4	-	17/6
EG7.82.1345	CLIP, WAVEGUIDE, ASSEMBLY Consisting of:-	15	-	17/25
EG7.82.1341	CLIP	1	L72	17/24
AGS2001/C/2	NUT, stiff, 2 BA	4	-	17/23
EG7.82.1343	PLATE, base	1	L72	17/21
EG7.82.2367	PLATE, bolt, bearing, 2 BA	2	S510	17/16
EG7.82.2399	SHIM, 1/32" thick x .002 lam.	2	Lam.Alum.	17/18
SP15/C	WASHER, 2 BA plain	4	-	17/22
EG7.82.1529	CLIP, WAVEGUIDE, ASSEMBLY Consisting of:-	8	-	18/22
EG7.82.2527	CLIP	1	L72	18/21
AGS2001/C/1	NUT, stiff, 2 BA	4	-	18/20
EG7.82.1343	PLATE, base	1	L72	18/18
EG7.82.2367	PLATE, bolt, bearing, 2 BA	2	S510	18/16
EG7.82.2399	SHIM, 1/32" thick x .002 lam.	2	Lam.Alum.	18/17
SP15/C	WASHER, 2 BA plain	4	-	18/19
EG7.82.2187	CLIP, WAVEGUIDE, ASSEMBLY Consisting of:-	2	-	17/38
EG7.82.2189	CLIP, half	1	L72	17/39
EG7.82.2191	CLIP, half	1	L72	17/36
AGS2002/C/1	NUT, stiff, 2 BA	4	-	17/33
EG7.82.2367	PLATE, bolt, bearing, 2 BA	1	S510	17/28
EG7.82.2369	PLATE, bolt, bearing, 2 BA	1	S510	17/37
EG7.82.2399	SHIM, 1/32" thick x .002 lam.	2	Lam.Alum.	17/29
SP15/C	WASHER, 2 BA plain	4	-	17/32
EG7.82.2667	CLIP, WAVEGUIDE, ASSEMBLY Consisting of:-	8	-	18/4
EG7.82.2527	CLIP	1	L72	18/3

RADIO AND RADAR

ELECTRONIC EQUIPMENT IN FRONT FUSELAGE

Part Number	Description	No. Off	Matl. Spec.	Plate No.
AGS2001/C/1 NUT, stiff, 2 BA	4	—	18/7
EG7.82.1343 PLATE, base	1	L72	18/2
EG7.82.2367 PLATE, bolt, bearing, 2 BA	1	S510	18/5
EG7.82.2669 PLATE, bolt, bearing, 2 BA	1	S510	18/9
EG7.82.2399 SHIM, 1/32" thick x .002 lam.	2	Lam.Alum.	18/1
SP15/C WASHER, 2 BA plain	4	—	18/8
EG7.82.2533 CLIP, bonding, waveguides	8	L60	17/19
	Attaching parts for EG7.82.2533:—			
A25/2C	. . . Bolt, 2 BA hex. head	1	—	17/10
AGS2001/C/1	. . . Nut, stiff, 2 BA	1	—	17/2
SP15/C	. . . Washer, 2 BA plain	2	—	17/9
EG7.82.2627	. . . DUCT, waveguide, port, assembly	1	L72	18/12
	Attaching parts for EG7.82.2627:—			
AS1248/3C	. . . Bolt, 2 BA mushroom head	15	—	18/13
SP15/C	. . . Washer, 2 BA plain	2	—	18/14
SP16/C	. . . Washer, 2 BA plain	2	—	18/15
EG7.82.2629	. . . DUCT, waveguide, starboard, assembly	1	L72	18/24
	Attaching parts for EG7.82.2629:—			
AS1248/3C	. . . Bolt, 2 BA mushroom head	17	—	18/25
SP15/C	. . . Washer, 2 BA plain	2	—	18/26
or				
SP16/C	. . . Washer, 2 BA plain	2	—	18/27
R EG7.10.1533	. . . FAIRING, lower "I" band cluster aerial, assembly	1	L44	19/7
	Attaching parts for EG7.10.1533:—			
A25/1C	. . . Bolt, 2 BA hex. head	3	—	19/8
AS1248/1/2C	. . . Bolt, 2 BA mushroom head	5	—	19/9
AS1248/3C	. . . Bolt, 2 BA mushroom head	14	—	19/10
AGS2001/C/1	. . . Nut, stiff, 2 BA	3	—	19/11
SP15/C	. . . Washer, 2 BA plain	3	—	19/12
EG7.10.1537	. . . PANEL, access, assembly (Pre Mod 5466)	1	L44	19/1
	Attaching parts for EG7.10.1537:—			
AS1248/2C	. . . Bolt, 2 BA mushroom head (Pre Mod 5466)	10	—	19/2
R EG7.10.1555	. . . SEAL, lower "I" band aerial aperture (Pre Mod 5466)	1	Neoprene	19/3
	Attaching parts for EG7.10.1555:—			
AS1242/2B	. . . Bolt, 4 BA c'sk head (Pre Mod 5466)	8	—	19/4
EG7.10.1553	. . . Plate, clamp (Pre Mod 5466)	1	L72	19/5
†	. . . RUBBER, "sorbo" waveguides at clips, 2.20" x 3.25" x 1/8" thick	14	—	17/11
EEAS21A/4GR AMPHENOL 57125	. . . WASHER, "D", for bonding clips	16	L72	17/1
EG7.82.1095	. . . PLUG, L.T. (ARI.23167) (Marconi R30-9281)	1	—	
EG7.82.1097	. . . CONNECTOR, assembly, NK.1, from ARI.23165 control unit to pressure bulkhead	1	—	
EG7.82.1099	. . . CONNECTOR, assembly, NR.3, from control modulator to pressure bulkhead	1	—	
EG7.82.1101	. . . CONNECTOR, assembly, NR.4, from ARI.23166 control unit to pressure bulkhead	1	—	

RADIO AND RADAR

ELECTRONIC EQUIPMENT IN FRONT FUSELAGE

Part Number	Description	No. Off	Matl. Spec.	Plate No.
R EG7.82.1103	. CONNECTOR, assembly, NR.5, from ARI.23166 port control unit to pressure bulkhead	1	-	
R EG7.82.1105	. CONNECTOR, assembly, NR.6, from ARI.23166 starboard control unit to pressure bulkhead	1	-	
R EG7.82.1107	. CONNECTOR, assembly, NR.7, from ARI.23165 forward control unit to pressure bulkhead	1	-	
R EG7.82.1109	. CONNECTOR, assembly, NR.8, from control modulator to pressure bulkhead	1	-	
R EG7.82.1111	. CONNECTOR, assembly, NR.9, from ARI.18207 control unit to pressure bulkhead	1	-	
R EG7.82.1113	. CONNECTOR, assembly, NR.10, from ARI.23167 control unit to pressure bulkhead	1	-	
-	. WAVEGUIDES IN NOSE, INSTALLATION (EG7.82.2577) Spares for:	1	-	21/14
152323-1	. . ADAPTOR, test, transmitter	1	-	20/21
152323-2	. . ADAPTOR, test, transmitter	1	-	20/16
A25/4C	. . Bolt, 2BA hex. head	4	-	20/17
AGS2001/C/1	. . Nut, stiff, 2BA	4	-	20/18
EG7.82.2719	. . Shim	4	LA3	20/19
SP15/C	. . Washer, 2BA plain	4	-	20/20
WARD BROOKE WB/UN/1146/S/3W	. . BLOCK, terminal, 3-way	1	-	21/1
WARD BROOKE WB/UN/1146/S/5W	. . BLOCK, terminal, 5-way	1	-	21/36
R MARCONI R60-1761-52	. . BOLT, 8 UNC, waveguide flange attachment	56	-	20/13
R MARCONI R60-1761-53	. . BOLT, 8 UNC, waveguide flange attachment	56	-	20/9
EG7.10.965	. . BRACKET, waveguide support, assembly	2	L72	20/11
EG7.82.2243	. . BRACKET, support, assembly Attaching parts for EG7.82.2243:	1	L72	20/14
A25/1C	. . Bolt, 2BA hex. head	4	-	20/24
SP15/C	. . Washer, 2BA plain	4	-	20/25
EG7.82.1391	. . CLIP, waveguide Attaching parts for EG7.82.1391:	2	L72	20/26
A25/1C	. . Bolt, 2BA hex. head	2	-	20/22
EG7.82.471	. . Shim, laminated	2	LA3	20/27
SP15/C	. . Washer, 2BA plain	2	-	20/23
EG7.82.2015	. . CLIP, double, waveguide Attaching parts for EG7.82.2015:	2	L72	20/1
A25/1C	. . Bolt, 2BA hex. head	3	-	20/3
SP15/C	. . Washer, 2BA plain	3	-	20/5

RADIO AND RADAR
ELECTRONIC EQUIPMENT IN FRONT FUSELAGE

Part Number	Description	No. Off	Matl. Spec.	Plate No.
EG7.82.2533	. . CLIP, bonding Attaching parts for EG7.82.2533:	2	L59	20/2
A25/2C	. . Bolt, 2BA hex. head	1	-	20/6
AGS2001/C/1	. . Nut, stiff, 2BA	1	-	20/4
SP15/C	. . Washer, 2BA plain	2	-	20/8
WARD BROOKE WB/NY/1110/B3	. . COVER, terminal block	1	-	21/5
WARD BROOKE WB/NY/1110/B4	. . COVER, terminal block	1	-	21/35
EG7.82.2691	. . LABEL, engraved, "N.454"	1	L72	21/3
EG7.82.2693	. . LABEL, engraved, "N.455"	1	L72	21/4
EG7.82.2695	. . LABEL, engraved, "F.504B"	1	L72	21/7
EG7.82.2697	. . LABEL, engraved, "F.504A"	1	L72	21/6
R 28M/9523249	. . NUT, 8 UNC, waveguide flange bolt attaching	56	-	20/10
WARD BROOKE WB/1114/28	. . PILLAR, fixing	4	-	21/8
EEAS550/3	. . PLATE, terminal ident	1	L73	21/2
EEAS550/5	. . PLATE, terminal ident	1	L73	21/30
MARCONI MS90064-13	. . RING, rubber sealing	13	-	20/15
MARCONI PF45452/24	. . RING, rubber sealing	42	-	20/12
†	. . RUBBER, "sorbo", waveguide at clipping, 1" x 3".25 x 1/8" thick	9	-	20/7
R MARCONI R30-9084-50	. . SWITCH Attaching parts for R30-9084-50:	4	-	21/22
A204/C20	. . Screw, 8 UNC c'sk head	3	-	21/23
EG7.82.2821	. . Shim, laminated	1	LA3	21/24
MARCONI R60-7037-01	. . WAVEGUIDE, rigid, assembly, forward of frame 'A'	1	-	21/10
MARCONI R60-1705-01	. . WAVEGUIDE, rigid, assembly, forward of frame 'A'	1	-	21/34
MARCONI R60-1706-01	. . WAVEGUIDE, rigid, assembly, forward of frame 'A'	1	-	21/32
MARCONI R60-1707	. . WAVEGUIDE, rigid, assembly, frame 1 to frame 9	2	-	21/21
MARCONI R60-1708	. . WAVEGUIDE, flexible, assembly, forward of frame 10	2	-	21/26
MARCONI R60-1709	. . WAVEGUIDE, rigid, assembly, between frames 9 and 10	1	-	21/19
MARCONI R60-1710	. . WAVEGUIDE, rigid, assembly, between frames 9 and 10	1	-	21/18

ELECTRONIC EQUIPMENT IN FRONT FUSELAGE

Ref. No.	Part No.	Description							No. off	Mati. Spec.	Cl. of Equip. M.R. L.M.	Fig. and Index
		1	2	3	4	5	6	7				
10B/9537600	MARCONI R.60-1711-01								1	-	C	21/13
10B/9537601	MARCONI R.60-1711-02								1	-	C	21/17
10B/9537602	MARCONI R.60-1712								1	-	C	21/15
10B/9537603	MARCONI R.60-1713								1	-	C	21/9
10B/9548592	MARCONI R.60-1896-01								1	-	C	21/16
10B/9548594	MARCONI R.60-1898-01								1	-	C	21/27
10B/9548593	MARCONI R.60-1897-01								1	-	C	21/29
10B/9548595	MARCONI R.60-1898-02								1	-	C	21/20
10B/9548590	MARCONI R.60-1719-55								1	-	C	21/33
10B/9548588	MARCONI R.60-1719-53								2	-	C	21/28
R 10B/9548589	MARCONI R.60-1719-54								1	-	C	21/11
10B/9548596	MARCONI R.60-7036-01								1	-	C	21/25
10B/9548597	MARCONI R.60-7038-01								1	-	C	21/31
10B/9548591	MARCONI R.60-1714-01								1	-	C	21/12

RADIO AND RADAR

ELECTRONIC EQUIPMENT IN REAR FUSELAGE

Part Number	Description	No. Off	Mati. Spec.	Plate No.
-	ELECTRONIC EQUIPMENT IN REAR FUSELAGE, ASSEMBLY (EG7.82.1519) Spares for:-	-	-	22/5
-	. AERIALS, REAR LOOKING, INSTALLATION (EG7.82.2595) Spares for:-	-	-	22/20
MARCONI R60-1539-02	. . AERIAL, assembly, "HORN" (ARI.23165)	2	-	22/34
MARCONI R60-1947-06	. . AERIAL, RAYTHEON (ARI.23165) Attaching parts for R60-1947-06:-	1	-	22/30
A174/4C	. . Bolt, 1/4" UNC c'sk head	12	-	22/35
MARCONI R60-7040-50	. . BOLT, special, waveguides and "HORN" aerial securing, at cleats	8	-	22/32
MARCONI R60-1761-52	. . BOLT, 8 UNC, waveguides connecting	8	-	22/24
EG7.82.2549	. . CLEAT, tee, waveguide and "horn" aerial support, starboard	1	L65	22/21
EG7.82.2550	. . CLEAT, tee waveguide and "horn" aerial support, port Attaching parts for EG7.82.2549 and 2550:-	1	L65	22/26
A25/20C	. . Bolt, 2 BA hex. head	4	-	22/25
AGS2001/C/1	. . Nut, stiff, 2 BA	4	-	22/22
SP15/C	. . Washer, 2 BA plain	4	-	22/23
R PPZ086-14-5	. . NUT, 8 UNC for waveguide bolts	16	-	22/31
MS90064-13	. . RING, sealing	2	-	22/28
MARCONI	. . RING, sealing	6	-	22/27
MARCONI	. . SHIM,	2	-	22/29
MARCONI R60-1757-01	. . WINDOW, pressure	2	-	22/33
R SCSHQ126667A2	. CABLE, assembly (SRIM 3932) (Mod 5176) (Pre Mod 5466)	1	-	
R SCSHQ126670A2	. CABLE, assembly (SRIM 3932) (Mod 5176) (Pre Mod 5466)	1	-	
R SCSHQ126671A2	. CABLE, assembly (SRIM 3932) (Mod 5176) (Pre Mod 5466)	1	-	
R -	. WAVEGUIDE, FROM AFT END OF BOMB BAY TO TAIL CONE, ASSEMBLY (EG7.82.669) (Pre Mod 5466)	-	-	22/6
R -	. WAVEGUIDES, FROM AFT END OF BOMB BAY TO TAIL CONE, ASSEMBLY (EG7.82.5695) (Mod 5466) Spares for:-	-	-	
-	. ALTERATIONS TO FRAME 45, ASSEMBLY (EG7.12.185) Spares for:-	-	-	22/3
EG7.82.457	. . . CLIP, waveguide Attaching parts for EG7.82.457:-	1	L72	22/9
A25/1C	. . . BOLT, 2 BA hex. head	2	-	22/4
SP13/C	. . . Washer, 2 BA plain	2	-	22/8

RADIO AND RADAR

ELECTRONIC EQUIPMENT IN REAR FUSELAGE

Part Number	1 2 3 4 5 6	Description	No. Off	Matl. Spec.	Plate No.
MARCONI R60-1761-52	. . .	BOLT, 8 UNC, waveguide flange attachments	18	—	22/15
MARCONI R60-1761-54	. . .	BOLT, 8 UNC, waveguide attachments	8	—	22/17
MARCONI R60-1761-53	. . .	BOLT, 8 UNC, waveguide flange attachment	80	—	22/18
—	. . .	BRACKET, WAVEGUIDE MOUNTING FRAME 30, ASSEMBLY (EG7.82.1321) Spares for:—	—	—	22/7
EG7.82.1389	. . .	CLIP Attaching parts for EG7.82.1389:—	1	L72	22/19
A25/1C	. . .	Bolt, 2 BA hex. head	2	—	22/14
EG7.82.1391	. . .	CLIP Attaching parts for EG7.82.1391:—	1	L72	22/1
A25/1C	. . .	Bolt, 2 BA hex. head	2	—	22/2
—	. . .	BRACKET, SWITCH MOUNTING, FRAME 48, ASSEMBLY (EG7.82.1699) Spares for:—	—	—	23/19
WARD BROOKE WB/UN/1146/S/3W EG7.82.1469	. . .	BLOCK, terminal	1	—	23/3
	. . .	BRACKET, SWITCH MOUNTING, ASSEMBLY Consisting of:—	2	—	23/18
A25/21C	BOLT, 2 BA hex. head	3	—	23/20
EG7.82.1471	BRACKET, switch, assembly	1	—	23/9
EG7.82.1477	BRACKET, switch, assembly	1	—	23/16
AGS2001/C/1	NUT, stiff, 2 BA	3	—	23/10
EG7.82.1479	STEADY, switch	1	Tufnol	23/13
AS2809/4/182	TUBE, distance	3	L62	23/12
SP15/C	WASHER, 2 BA plain Attaching parts for EG7.82.1469:—	3	—	23/11
A25/1C	Bolt, 2 BA hex. head	4	—	23/14
SP13/C	Washer, 2 BA plain	4	—	23/15
EG7.82.1693	BRACKET, CHANNEL, ASSEMBLY Spares for:—	2	L72	23/17
EG7.82.2241	ANGLE, attachment	1	L72	23/6
EG7.82.2242	ANGLE, attachment Attaching parts for EG7.82.1693:—	1	L72	23/5
A25/1C	Bolt, 2 BA hex. head	3	—	23/2
AGS2001/C/1	Nut, stiff, 2 BA	3	—	23/8
SP13/C	Washer, 2 BA plain	3	—	23/7

RADIO AND RADAR
ELECTRONIC EQUIPMENT IN REAR FUSELAGE

Part Number	Description	No. Off	Matl. Spec.	Plate No.
R WARD BROOKE WB/NY/1110/B/3 WARD BROOKE WB/1114/28 -	. . . COVER, terminal block . . . PILLAR, fixing . . . BRACKET, WAVEGUIDE MOUNTING, INSTALLATION (EG7.82.1845) Spares for:	1 2 -	- - -	23/1 23/4 23/25
EG7.82.1847	. . . BRACKET, mounting, assembly Spares for:	1	L72	23/38
EG7.82.1389	. . . CLIP Attaching parts for EG7.82.1389:	1	L72	23/32
A25/1C SP13/C	. . . Bolt, 2BA hex. head . . . Washer, 2BA plain	2 2	- -	23/29 23/27
EG7.82.1391	. . . CLIP Attaching parts for EG7.82.1391:	1	L72	23/34
A25/1C SP13/C	. . . Bolt, 2BA hex. head . . . Washer, 2BA plain	2 2	- -	23/35 23/36
EG7.82.1849	. . . DIAPHRAGM	1	L72	23/33
EG7.82.1851	. . . PLATE, top	1	L72	23/30
EG7.82.1853	. . . PLATE, bottom	1	L72	23/40
EG7.82.1861	. . . PLATE, radius	2	L72	23/31
EG7.82.1863	. . . PLATE, radius	2	L72	23/39
EG7.82.1865	. . . PLATE, radius	2	L72	23/21
EG7.82.1867	. . . PLATE, radius	2	L72	23/26
EG7.82.1857	. . . TOP-HAT	1	L72	23/28
EG7.82.1859	. . . TOP-HAT Attaching parts for EG7.82.1847:	1	L72	23/37
A25/2C AGS2001/C/1 SP13/C	. . . Bolt, 2BA hex. head . . . Nut, stiff, 2BA . . . Washer, 2BA plain	8 8 8	- - -	23/22 23/23 23/24
EG7.82.2533	. . . CLIP, bonding, waveguides Attaching parts for EG7.82.2533:	14	L59	24/1
A25/2C AGS2001/C/1 SP15/C	. . . Bolt, 2BA hex. head . . . Nut, stiff, 2BA . . . Washer, 2BA plain	1 1 2	- - -	24/4 24/5 24/2
EG7.82.1141	. . . CLIP, waveguide, frame 47, port Attaching parts for EG7.82.1141:	1	L72	25/3
A25/2C AS1246/1C	. . . Bolt, 2BA hex. head . . . Bolt, 2BA round head	2 2	- -	25/1 25/2
R 10AC/9839055	. . . NUT, 8 UNC, waveguide flange bolt attachments	80	-	22/16
R EG7.82.1533	. . . PLATE, clip support, frame 47, assembly	1	L72	25/9
R 10AS/0830053	. . . RING, sealing, waveguide flanges	52	-	24/9

RADIO AND RADAR

ELECTRONIC EQUIPMENT IN REAR FUSELAGE

Part Number	Description	No. Off	Mati. Spec.	Plate No.
†	RUBBER, "sorbo", at waveguide clips, 1" x 3".25 x 1/8" thick	6	—	25/28
†	RUBBER, "sorbo", at waveguide clips, 2".3 x 3".25 x 1/8" thick	2	—	25/8
†	RUBBER, "sorbo", at waveguide clips, 2".7 x 3".25 x 1/8" thick	12	—	25/27
MARCONI				
R60-1760-01	SPACER, waveguides at switches	2	—	22/13
—	STRUCTURE, WAVEGUIDE SUPPORT, FRAME 34, PORT, ASSEMBLY (EG7.82.1183) Spares for:	—	—	25/24
EG7.82.1165	SUPPORT, WAVEGUIDE, ASSEMBLY Consisting of:	1	—	25/13
EG7.82.1149	CLIP	1	L72	25/18
AGS2002/C/1	NUT, stiff, 2BA	4	—	25/23
EG7.82.2401	SHIM, laminated	2	Lam. Alum.	25/35
EG7.82.2371	STRIP, bolt, 2BA assembly	2	S510	25/36
EG7.82.1147	SUPPORT, clip, assembly	1	L72	25/31
SP15/C	WASHER, 2BA plain	4	—	25/25
EG7.82.1191	Attaching parts for EG7.82.1165: Bolt, special, 2BA	2	S96	25/20
—	STRUCTURE, WAVEGUIDE SUPPORT, FRAME 36, PORT, ASSEMBLY (EG7.82.1185) Spares for:	—	—	25/22
EG7.82.1165	SUPPORT, WAVEGUIDE, ASSEMBLY Consisting of:	1	—	25/12
EG7.82.1149	CLIP	1	L72	25/18
AGS2002/C/1	NUT, stiff, 2BA	4	—	25/23
EG7.82.2401	SHIM, laminated	2	Lam. Alum.	25/35
EG7.82.2371	STRIP, bolt, 2BA, assembly	2	S510	25/36
EG7.82.1147	SUPPORT, clip, assembly	1	L72	25/31
SP15/C	WASHER, 2BA plain	4	—	25/25
EG7.82.1191	Attaching parts for EG7.82.1165: Bolt, special, 2BA	2	S96	25/20
—	STRUCTURE, WAVEGUIDE SUPPORT, FRAME 38, PORT, ASSEMBLY (EG7.82.1187) Spares for:	—	—	25/19
EG7.82.1165	SUPPORT, WAVEGUIDE, ASSEMBLY Consisting of:	1	—	25/11
EG7.82.1149	CLIP	1	L72	25/18

A.P.101B-0417-3A

RADIO AND RADAR

ELECTRONIC EQUIPMENT IN REAR FUSELAGE

Part Number	Description	No. Off	Matl. Spec.	Plate No.	
					1
AGS2002/C/1 NUT, stiff, 2BA	4	-	25/23	
EG7.82.2401 SHIM, laminated	2	Lam. Alum.	25/35	
EG7.82.2371 STRIP, bolt, 2BA, assembly	2	S510	25/36	
EG7.82.1147 SUPPORT, clip, assembly	1	L72	25/31	
SP15/C WASHER, 2BA plain	4	-	25/25	
EG7.82.1191	Attaching parts for EG7.82.1165: Bolt, special, 2BA	2	S96	25/20	
- STRUCTURE, WAVEGUIDE SUPPORT, FRAME 40, PORT, ASSEMBLY (EG7.82.1189) Spares for:	-	-	25/16	
R EG7.82.1165 SUPPORT, WAVEGUIDE, ASSEMBLY Consisting of:	1	-	25/10	
EG7.82.1149 CLIP	1	L72	25/18	
AGS2002/C/1 NUT, stiff, 2BA	4	-	25/23	
EG7.82.2401 SHIM, laminated	2	Lam. Alum.	25/35	
EG7.82.2371 STRIP, bolt, 2BA, assembly	2	S510	25/36	
EG7.82.1147 SUPPORT, clip, assembly	1	L72	25/31	
SP15/C WASHER, 2BA plain	4	-	25/25	
EG7.82.1191	Attaching parts for EG7.82.1165: Bolt, special, 2BA	2	S96	25/20	
- STRUCTURE, WAVEGUIDE SUPPORT, FRAME 31B TO FRAME 32, ASSEMBLY (EG7.82.2219) Spares for:	-	-	25/21	
A25/2C BOLT, 2BA hex. head	8	-	25/29	
EG7.82.2561 DIAPHRAGM, forward, assembly	1	L72	25/6	
EG7.82.2223 DIAPHRAGM, aft	1	L72	25/5	
EG7.82.2225 MEMBER, top-hat, upper	1	L72	25/17	
EG7.82.2227 MEMBER, top-hat, lower	1	L72	25/26	
AGS2001/C/1 NUT, stiff, 2BA	8	-	25/34	
EG7.82.2229 PLATE, top, assembly	1	L72	25/4	
EG7.82.2233 PLATE, radius	2	L72	25/30	
EG7.82.2235 PLATE, closing	1	L72	25/7	
EG7.82.1165 SUPPORT, WAVEGUIDE, ASSEMBLY Consisting of:	1	-	25/15	
EG7.82.1149 CLIP	1	L72	25/18	
AGS2002/C/1 NUT, stiff, 2BA	4	-	25/23	
EG7.82.2401 SHIM, laminated	2	Lam. Alum.	25/35	
EG7.82.2371 STRIP, bolt, 2BA, assembly	2	S510	25/36	
EG7.82.1147 SUPPORT, clip, assembly	1	L72	25/31	

RADIO AND RADAR
ELECTRONIC EQUIPMENT IN REAR FUSELAGE

Part Number	Description	No. Off	Matl. Spec.	Plate No.
SP15/C WASHER, 2BA plain	4	-	25/25
EG7.82.1191	Attaching parts for EG7.82.1165: Bolt, special, 2BA	2	S94	25/20
SP15/C WASHER, 2BA plain	4	-	25/33
SP16/C WASHER, 2BA plain	4	-	25/32
EG7.82.1165 SUPPORT, WAVEGUIDE, FRAME 42, PORT, ASSEMBLY	1	-	25/14
	Consisting of:			
EG7.82.1149 CLIP	1	L72	25/18
AGS2002/C/1 NUT, stiff, 2BA	4	-	25/23
EG7.82.2401 SHIM, laminated	2	Lam. Alum.	25/35
EG7.82.2371 STRIP, bolt, 2BA, assembly	2	S510	25/36
EG7.82.1147 SUPPORT, clip, assembly	1	L72	25/31
SP15/C WASHER, 2BA plain	4	-	25/25
EG7.82.1191	Attaching parts for EG7.82.1165: Bolt, special, 2BA	2	S94	25/20
MARCONI 30-9084-50 SWITCH	2	-	22/10
	Attaching parts for R30-9084-50:			
A102/3C Bolt, 8 UNC, hex. head	3	-	22/11
SP55/C Washer, 3/16" i/d, double spring	3	-	22/12
MARCONI R60-1715-55 WAVEGUIDE, twistguide, assembly, at port and starboard aeriels	2	-	24/12
MARCONI R60-1601-02 WAVEGUIDE, twist, stepped, assembly, aft of frame 48	3	-	24/10
MARCONI R60-1738 WAVEGUIDE, rigid, assembly, frame 29 to 30 (Pre Mod 5466)	2	-	24/21
MARCONI R60-1739 WAVEGUIDE, rigid, assembly, frame 30 to 31	2	-	24/18
MARCONI R60-1740 WAVEGUIDE, flexible, assembly, frame 31	1	-	24/16
MARCONI R60-1741 WAVEGUIDE, flexible, assembly, frame 31	1	-	24/15
MARCONI R60-1742 WAVEGUIDE, rigid, assembly, frame 31 to 38	2	-	24/13
MARCONI R60-1743 WAVEGUIDE, rigid, assembly, frame 38 to 46	1	-	24/8
MARCONI R60-1744 WAVEGUIDE, rigid, assembly, frame 38 to 46	1	-	24/7
MARCONI R60-1745 WAVEGUIDE, rigid, assembly, frame 46 to 47	2	-	24/3
MARCONI R60-1746 WAVEGUIDE, rigid, assembly, frame 47A	2	-	24/6

RADIO AND RADAR

ELECTRONIC EQUIPMENT IN REAR FUSELAGE

Part Number	Description	No. Off	Matl. Spec.	Plate No.
MARCONI R60-1747	. . . WAVEGUIDE, rigid, assembly, frame 47A to switch frame 48	1	-	24/11
MARCONI R60-1748	. . . WAVEGUIDE, rigid, assembly, frame 47A to switch frame 48	1	-	24/14
MARCONI R60-1749	. . . WAVEGUIDE, rigid, assembly, from switch, frame 48 to stepped waveguide, aft of frame 48	2	-	24/17
MARCONI R60-1715-57	. . . WAVEGUIDE, twistaguide, assembly, aft aerial connecting	1	-	24/19
MARCONI R60-1715-56	. . . WAVEGUIDE, twistaguide, assembly, aft aerial	1	-	24/20
R -	. . . WAVEGUIDE MOUNTING BRACKET ASSEMBLY ALTERATIONS AT FRAME 30 (EG7.82.5913) (Mod 5466) Spares for:-	-	-	23A/1
R EG7.82.5869 ANGLE	1	-	23A/2
R EG7.82.5871 ANGLE	1	-	23A/3
R EG7.82.5867 BRACKET, mounting	1	-	23A/4
R EG7.82.5873 BRACKET, assembly	1	-	23A/5
R -	. . . WAVEGUIDE MOUNTING BRACKET ALTERATIONS AT FRAME 30A - 31A (EG7.82.5901) (Mod 5466) Spares for:-	-	-	23A/6
R EG7.82.5903 ANGLE, assembly Spares for:-	1	-	23A/7
R EG7.82.5905 ANGLE	1	-	23A/8
R AGS2007/C/1 NUT, anchor	1	-	23A/9
R AGS2018/C/1 NUT, anchor	1	-	23A/10
R EG7.82.5907 ANGLE, assembly Spares for:-	1	-	23A/11
R EG7.82.5909 ANGLE	1	-	23A/12
R AGS2007/C/1 NUT, anchor	1	-	23A/13
R AGS2018/C/1 NUT, anchor	1	-	23A/14
R EG7.82.5915 DIAPHRAGM	1	-	23A/15
R EG7.82.5911 PACKER	1	-	23A/16

RADIO AND RADAR

ELECTRONIC EQUIPMENT IN REAR FUSELAGE

Part Number	Description 1 2 3 4 5 6	No. Off	Matl. Spec.	Plate No.

GREEN SATIN (ARI.5851)

Part Number	Description	No. Off	Matl. Spec.	Plate No.
R -	GREEN SATIN, ARI.5951, ASSEMBLY (EG7.82.3013) (Mod.5249) (Pre-Mod.5466) Spares for:-	-	-	26/37
R ED9/8001/ASSY C	. AERIAL, type 501A (Mod.5249)	1	-	26/38
SIS6416	. AMPLIFIER, ground position indicator	1	-	26/46
10AR6196849	. BACKPLATE, trans/receiver	1	-	26/17
10AR6196850	. BACKPLATE, tracking unit	1	-	26/23
10AR6196851	. BACKPLATE, electrical indicator	1	-	26/31
6B6349756	. BACKPLATE, ground position indicator	1	-	26/33
R ED9/12118	. COMPUTER, DA - GS (Mod.5249)	1	-	26/22
6B541	. INDICATOR, ground position, Mk.4	1	-	26/34
R ED9/12123	. INDICATOR, DA - GS (Mod.5249)	1	-	26/32
TYPE 957	. PLUG, shorting, type 957	1	-	26/19
TYPE TR3710	. RECEIVER, transmitter, type TR.3710	1	-	26/18
6B655	. TRAY, mounting, amplifier	1	-	26/51

RADIO AND RADAR
GREEN SATIN (ARI.5851)

Part Number	Description 1 2 3 4 5 6	No. Off	Matl. Spec.	Plate No.
-	GREEN SATIN IN FRONT FUSELAGE	-	-	26/48
	ASSEMBLY (EG7.82.153) (Pre Mod 5466)			
	Spares for:-			
EG7.82.159	. CONNECTOR, L.P., from electrical indicator to ground position indicator	1	-	26/39
EG7.82.161	. CONNECTOR, L.D., from ground position indicator to pressure bulkhead	1	-	26/50
EG7.82.167	. CONNECTOR, L.C., from electrical indicator to pressure bulkhead	1	-	26/49
EG7.82.171	. CONNECTOR, L.U., from ground position indicator to 6-way junction box	1	-	26/47
EG7.82.173	. CONNECTOR, L.T., from amplifier to ground position indicator	1	-	26/45

R

RADIO AND RADAR
GREEN SATIN (ARI.5851)

Part Number	Description	No. Off	Matl. Spec.	Plate No.
R -	GREEN SATIN IN CENTRE FUSELAGE, ASSEMBLY (EG7.82.155) (Pre Mod 5466)	-	-	26/35
R 10H/0540019 EG7.82.991	Spares for: . ADAPTOR, socket to socket, buradep style ABR-4F . CABLE, ASSEMBLY, L.J., FROM TEST POINT CONNECTION AND PLUG BREAK TO T.R. TYPE 3710, GROUP Consisting of:	1 1	- -	26/21 26/15
5E/0149558	. . CABLE, uniradio 70	QR	-	
5E/1934441	. . CABLE, minyvin 22	QR	-	
5E/9433957	. . CABLE, uniradio 96	QR	-	
508/1/07780/003	. . CLAMP, cable	1	-	
10H/9464003	. . COVER, angle	1	-	
508/2/07706/200	. . GASKET, outlet	1	-	
508/2/07724/200	. . GASKET, union	1	-	
10H/4699273	. . GROMMET (Pre SAS4745)	1	-	
508/2/07644/003	. . OUTLET, straight	1	-	
10H/4709596	. . PLUG, 12-way	1	-	
AMPHENOL 31GB-226-4	. . PLUG, type UK-BNC	1	-	
508/2/07713/200	. . RING, sealing	1	-	
508/2/07758/007	. . RING, thrust	1	-	
EEAS146/EQ RAYCHEM D123	. . SLEEVE, 1/2" long	QR	-	
EEAS146/6 RAYCHEM EEAS146/00 EEAS146/0	. . SLEEVE, solder	C	-	
5F/	. . SLEEVE, 1" long	QR	-	
508/1/40129/320	. . SLEEVE, S.C.L., 1/4" white	QR	-	
10H/9002877	. . SLEEVE, 1" long	QR	-	
EG7.82.1195	. . SLEEVE, 1 1/2" long	QR	-	
EG7.82.163	. . SLEEVING, P.V.C., 15 mm bore, 5 mm wall, black	QR	-	
EG7.82.169	. . SOCKET, fixed, Mk.4	1	-	
EG7.82.175	. . CAP, blanking	1	-	26/20
EG7.82.177	. . CONNECTOR, L.A., from transmitter receiver type TR.3710 to tracking unit type 100	1	-	26/28
	. . CONNECTOR, L.D./1, from pressure bulkhead to tracking unit type 100	1	-	26/40
	. . CONNECTOR, L.C./1, from pressure bulkhead to tracking unit type 100	1	-	26/41
	. . CONNECTOR, L.M., from terminal block to transmitter receiver type TR.3710	1	-	26/26
	. . CONNECTOR, L.N./A., from terminal block to transmitter receiver type TR.3710	1	-	26/27

RADIO AND RADAR
GREEN SATIN (ARI.5851)

Part Number	Description	No. Off	Mati. Spec.	Plate No.
EG7.82.1197	. CONNECTOR, L.G., from transmitter receiver type 3710 to tracking unit type 100	1	—	26/25
EG7.82.1205	. CONNECTOR, L.B./B., from tracking unit to bulkhead plug socket in fuselage, port wing	1	—	26/36
EG7.82.1203	. CONNECTOR, L.H., from transmitter receiver type TR.3710 to test point adaptor	1	—	26/16
508/1/40196/320	. PLUG, socket, bulkhead, 25-way, fuselage connection, port wing	1	—	26/42
—	. TRANSFORMER, 'GREEN SATIN' SUPPLY, INSTALLATION (EG7.82.821) (Pre Mod 5466) Consisting of:	—	—	26/30
WARD BROOKE WB/UN/1146/S/3W	. . BLOCK, connector Attaching parts for WB/UN/1146/S/3W:	1	—	26/12
A25/3B	. . Bolt, 4BA hex. head	2	—	26/2
SP13/B	. . Washer, 4BA plain	2	—	26/1
EG7.82.833	. . BRACKET, terminal block mounting Attaching parts for EG7.82.833:	1	—	26/3
A25/1C	. . Bolt, 2BA hex. head	2	—	26/4
AGS2001/C/1	. . Nut, stiff, 2BA	2	—	26/6
SP13/C	. . Washer, 2BA plain	2	—	26/5
EG7.81.1649	. . COVER, terminal block Attaching parts for EG7.81.1649:	1	—	26/19
A25/1/2B	. . Bolt, 4BA hex. head	2	—	26/24
—	. . MOUNTING, TRANSFORMER, ASSEMBLY (EG7.82.823) (Pre Mod 5466) Spares for:	—	—	26/8
EG7.82.829	. . . ANGLE, support	1	L72	26/13
EG7.82.825	. . . PLATE, mounting, assembly Attaching parts for EG7.82.825:	1	—	26/9
A25/1/2B	. . . Bolt, 4BA hex. head	7	—	26/10
AGS2001/B/1	. . . Nut, stiff, 4BA	7	—	26/11
EEAS550/3	. . PLATE, terminal ident, 3-way	1	L73	26/14
M.A.M. E.E. CO., B'FORD Type A.E.5705	. . SLEEVE, 3 mm i/d x 3/8" long, grade CXH, pink	3	—	—
A25/1C	. . TRANSFORMER, 1 KVA, 3-phase, 200-116V Attaching parts for AE.5705:	1	—	26/7
	. . Bolt, 2BA hex. head	4	—	26/29

RADIO AND RADAR

GREEN SATIN (ARI.5851)

Part Number	Description 1 2 3 4 5 6	No. Off	Matl. Spec.	Plate No.
-	GREEN SATIN IN PORT WING ASSEMBLY (EG7.82.157) (Pre Mod 5466) Spares for:-	-	-	26/44
EG7.82.1207	. CONNECTOR, L.B./B1, from plug socket in fuselage frame 22 to aerial system type 501 in port wing	1	-	26/43

RADIO AND RADAR

H.F. RADIO INSTALLATION (ARI.23090)

Part Number	Description	No. Off	Matl. Spec.	Plate No.
R -	H.F. RADIO 681 T-3 (COLLINS), INSTALLATION (EG7.82.181) (Pre Mod 5466)	-	-	27/7
R -	H.F. RADIO 681 T-3 (COLLINS) INSTALLATION (EG7.82.5221) (Mod 5466)	-	-	
R 10L 0198405	. Spares for:- . CONTROL UNIT, type 714E/3/M53	1	-	27/1
R 110D 6043307	. RECEIVER/TRANSMITTER, type 681T/3/M15	1	-	27/10
R 110D 3338518	. TUNING UNIT, type 180/L3A	1	-	27/3

RADIO AND RADAR

H.F. RADIO INSTALLATION (ARI.23090)

Part Number	Description	No. Off	Mati. Spec.	Plate No.
R -	H.F. RADIO IN FRONT FUSELAGE ASSEMBLY (EG7.82.183) (Pre Mod 5466)	-	-	27/2
R -	H.F. RADIO IN FRONT FUSELAGE ASSEMBLY (EG7.82.5223) (Mod 5466) Spares for:-	-	-	
UG27C/U	. ADAPTER, angle	2	-	27/12
UG306A/U	. ADAPTER	1	-	27/4
UG646/U	. ADAPTER	1	-	27/5
-	. BOX, H.F. DISTRIBUTION, INSTALLATION (EG7.82.1685) Spares for:-	-	-	27/15
EG7.82.577	. . . BOX, H.F. DISTRIBUTION AND WIRING, ASSEMBLY Spares for:-	1	-	27/17
R 703-1-00249	. . . BLOCK, terminal, 20-way Attachments:-	1	-	27/25
A43/B24	. . . Screw, 4 BA cheese head	2	-	27/33
SP47/B	. . . Washer, 4 BA spring	2	-	27/32
EG7.82.579	. . . BOX, distribution, sub-assembly	1	L59	27/23
R TYPE B-19.006 RED	. . . CABLE, type B, 19.006, red	QR	-	
R TYPE B-19.0076 BLUE	. . . CABLE, type B, 19.0076 blue	QR	-	
R UNINYVIN 8	. . . CABLE, uninyvin 8	QR	-	
R UNINYVIN 12	. . . CABLE, uninyvin 12	QR	-	
R UNINYVIN 16	. . . CABLE, uninyvin 16	QR	-	
R UNINYVIN 18	. . . CABLE, uninyvin 18	QR	-	
↑	. . . CORD, braided nylon No. 3 1/32" dia.	QR	-	
EG7.82.583	. . . COVER, H.F. DISTRIBUTION BOX ASSEMBLY Spares for:-	1	-	27/30
R BOSTIK 771 CEMENT, bostik 771	QR	-	27/26
R 32C4382997 RUBBER, synthetic, .14 dia.	QR	DTD552	27/28
EEAS117/1 SCREW, cover, 4 BA	6	S92	27/38
EEAS28/2/CU WASHER	12	S615	27/37
EEAS42 WASHER, leather, .30" o/d x .156" i/d	6	-	27/36
R 30A9140209 WIRE, locking, 20 SWG	QR	-	27/35
508/2/04367	. . . FILLER, plug	19	-	
508/2/04368	. . . FILLER, plug	9	-	
508/2/06923	. . . FILLER, plug	2	-	
508/2/06924	. . . FILLER, plug	4	-	
2Z.138846	. . . INSERT, socket	7	-	
2Z.138935	. . . INSERT, socket	6	-	
2Z.138939	. . . INSERT, socket	2	-	
2Z.139487	. . . INSERT, socket	1	-	

RADIO AND RADAR

H.F. RADIO INSTALLATION (ARI.23090)

Part Number	1 2 3 4 5 6	Description	No. Off	Matl. Spec.	Plate No.
508/1/04585/002	. . .	INSERT, socket	1	-	
508/1/05601/002	. . .	INSERT, socket	59	-	
508/1/05602/002	. . .	INSERT, socket	14	-	
5X4491423	. . .	LINK, commoning, 4-way	1	-	
703-1-00249	. . .	LINK, commoning, 2-way	1	-	
2Z.111033	. . .	PIN, plug	7	-	
508/2/05603/002	. . .	PIN, plug	39	-	
508/2/05604/002	. . .	PIN, plug	6	-	
UKAN					
8000/20/29P	. . .	PLUG, fixed	1	-	
UKAN					
8000/32/7P	. . .	PLUG, fixed	1	-	
EEAS146/8	. . .	SLEEVE, 3/4" long, pink	QR	-	
EEAS146/12	. . .	SLEEVE, 3/4" long, pink	QR	-	
EEAS146/EQ	. . .	SLEEVE, 3/4" long, pink	QR	-	
M.A.M.	. . .	SLEEVE, 3/8" long x 3 m/m i/d, grade CXH	20	-	
2Z.139622	. . .	SLEEVE, packing, pink	98	-	
2Z.139623	. . .	SLEEVE, packing, blue	2	-	
2Z.139626	. . .	SLEEVE, packing, white	1	-	
2Z.139628	. . .	SLEEVE, packing, black	5	-	
UKAN					
8000/16/1S	. . .	SOCKET, fixed	1	-	27/29
UKAN/16/1S/W	. . .	SOCKET, fixed	1	-	27/27
UKAN					
8000/16/1S/Z	. . .	SOCKET, fixed	1	-	27/16
UKAN					
8000/24/11S	. . .	SOCKET, fixed	1	-	27/18
UKAN					
8000/28/21S	. . .	SOCKET, fixed	1	-	27/31
UKAN					
8000/32/6S	. . .	SOCKET, fixed	1	-	27/34
HV3254	. . .	STRAP, nylon	QR	-	
HV3255	. . .	STUD, nylon	QR	-	
HC490	. . .	TAG, quick release	26	-	
HC500	. . .	TAG, quick release	1	-	
HC510	. . .	TAG, quick release	5	-	
2Z.139597	. . .	WASHER, panel packing	3	-	
2Z.139599	. . .	WASHER, panel packing	1	-	
2Z.139601	. . .	WASHER, panel packing	1	-	
2Z.139602	. . .	WASHER, panel packing	1	-	

RADIO AND RADAR

H.F. RADIO INSTALLATION (ARI.23090)

Part Number	Description	No. Off	Mati. Spec.	Plate No.
2Z.139603	. . . WASHER, panel packing Attaching parts for EG7.82.577:-	2	-	
A25/1C	. . Bolt, 2 BA hex. head	4	-	27/21
SP15/C	. . Washer, 2 BA plain	4	-	27/19
EG7.82.2433	. CABLE, ASSEMBLY, HF.11, FROM NAVIGATOR'S COAMING PANEL TO TUNING LIGHT, PORT FIXED PANEL, GROUP Consisting of:-	1	-	
UNINYVIN 22	. . CABLE, uninyvin 22	QR	-	
EEAS146/22	. . SLEEVE, 3/4" long	QR	-	
EEAS146/12	. . SLEEVE, 1/2" long	QR	-	
EEAS146/12	. . SLEEVE, 1-1/2" long	QR	-	
HC296	. . TAG, ring tongue	2	-	
HC490	. . TAG, quick release	1	-	
-	. CONDUIT, H.F. CABLE, INSTALLATION (EG7.82.2329) Spares for:-	-	-	27/6
EG7.82.2337	. . CLAMP, conduit Attaching parts for EG7.82.2337:-	2	Tufnol	27/14
G.K.N.				
ART.1498	. . Screw, 0 BA x 3/4" long, nylon cheese head	1	-	27/20
EG7.82.2331	. . CONDUIT	1	Fibre-glass	27/24
EG7.82.2333	. . CONDUIT	1	Fibre-glass	27/8
EG7.82.2335	. . FAIRLEAD, 'stand off' Attaching parts for EG7.82.2335:-	2	Tufnol	27/22
A25/4C	. . Bolt, 2 BA hex. head	2	-	27/13
AGS2001/C/1	. . Nut, stiff, 2 BA	2	-	27/9
SP15/C	. . Washer, 2 BA plain	2	-	27/11
EG7.82.187	. CONNECTOR, H.F. 1, from H.F. distribution box to transmitter receiver	1	-	
EG7.82.189	. CONNECTOR, H.F. 2, from aerial tuning unit type 180-L3A to aerial post	1	-	
EG7.82.193	. CONNECTOR, H.F. 4, from transmitter/receiver to aerial tuning unit type 180-L3A	1	-	
EG7.82.195	. CONNECTOR, H.F. 5, from transmitter/receiver to aerial tuning unit type 180-L3A	1	-	
EG7.82.197	. CONNECTOR, H.F. 6, from H.F. distribution box to control unit type 714E-3 (Pre Mod 5466)	1	-	
EG7.82.5327	. CONNECTOR, H.F. 6 (Mod 5466)	1	-	
EG7.82.591	. CONNECTOR, H.F. 7, from H.F. distribution box to aerial tuning unit type 180-L3A	1	-	
EG7.82.593	. CONNECTOR, H.F. 8, from H.F. distribution box to UA.60 junction box	1	-	

RADIO AND RADAR

H.F. RADIO INSTALLATION (ARI.23090)

Part Number	Description 1 2 3 4 5 6	No. Off	Matl. Spec.	Plate No.
EG7.82.595	. CONNECTOR, H.F. 9, FROM INTER PHONE AMPLIFIER TO H.F. DISTRIBUTION BOX, GROUP Consisting of:—	1	—	
UA6002	. . . AMPLIFIER, interphone	1	—	
508/2/04367	. . . FILLER, plug	2	—	
508/2/05603/002	. . . PIN, plug	3	—	
508/2/05604/002	. . . PIN, plug	4	—	
UK-AN				
9000/16/1P(N)	. . . PLUG, free	1	—	
508/2/05851/004	. . . RING, anti chafe	1	—	
EEAS146/22	. . . SLEEVE, 1/2" long, pink	QR	—	
EEAS146/000	. . . SLEEVE, 1" long, pink	QR	—	
EEAS146/000	. . . SLEEVE, 1 1/2" long, pink	QR	—	
2Z139622	. . . SLEEVE, packing, pink	4	—	
2Z139623	. . . SLEEVE, packing, blue	1	—	
RAYCHEM D121	. . . SLEEVE, solder, low temp.	2	—	
5F/4342140	. . . TUBING, S.C.L. 3/16" grey	QR	—	
5E/0149438	. . . WIRE, equip., 19.0076, blue	QR	—	
R EG7.82.597	. CONNECTOR, H.F.10, from H.F. distribution box to navigator's coaming panel T/B (Pre Mod 5466)	1	—	
R EG7.82.5931	. CONNECTOR, H.F.10 (Mod 5466)	1	—	
—	. MAST, H.F. "STAND-OFF" AERIAL, INSTALLATION (EG7.82.2339) Spares for:—	—	—	28/48
R CHELTON 3-3	. . . MAST, aerial, stand-off (Pre Mod 5357)	1	—	28/49
R 3-3 MOD 1	. . . MAST, aerial, stand-off (Mod 5357) Attaching parts for 3-3 or 3-3 MOD 1	1	—	
R AS1248/8C	. . . Bolt, 2 BA mushroom head	12	—	28/45
AGS2002/C/1	. . . Nut, stiff, 2 BA	12	—	28/47
SP15/C	. . . Washer, 2 BA plain	12	—	28/46
—	. MAST, H.F. AERIAL AND SPARK-GAP, INSTALLATION (EG7.82.2341) Spares for:—	—	—	28/55
CHELTON ELECT 3-2	. . . MAST, H.F. aerial Attaching parts for 3-2:—	1	—	28/53
AS1248/8C	. . . Bolt, 2 BA mushroom head	12	—	28/50
AGS2002/C/1	. . . Nut, stiff, 2 BA	12	—	28/54
SP15/C	. . . Washer, 2 BA plain	12	—	28/52
EG7.82.2807	. . . SPARK-GAP, ASSEMBLY Consisting of:—	1	—	28/10
EG7.82.2811	. . . BLOCK, base, assembly	1	—	28/7

RADIO AND RADAR
H.F. RADIO INSTALLATION (ARI.23090)

Part Number	1 2 3 4 5 6	Description	No.	Matl. Spec.	Plate No.
			Off		
EG7.82.191	. . .	CABLE, ASSEMBLY, H.F.3, FROM SPARK-GAP TAIL TO AERIAL POST, GROUP	1	-	
		Consisting of:			
R 5E/9993758	CABLE, uninyvin 12	QR	-	
EEAS146/12	SLEEVE, 1" long, pink	QR	-	
EEAS146/12	SLEEVE, 1½" long, pink	1	-	
ROSS COURTNEY WE554	TAG, crown end, brass	1	-	
EG7.82.199	. . .	CABLE, ASSEMBLY, SPARK-GAP EARTH, FROM SPARK-GAP TAIL TO EARTH POINT, GROUP	1	-	
		Consisting of:			
R 5E/9993758	CABLE, uninyvin 12	QR	-	
EEAS146/12	SLEEVE, 1" long, pink	QR	-	
EEAS146/12	SLEEVE, 1½" long, pink	QR	-	
HC312	TAG, ring tongue	1	-	
BULGIN P92	. . .	CAP, valve	2	-	
EC3.82.419	. . .	COVER	1	-	28/17
		Attaching parts for EC3.82.419:			
AS1242/9B	. . .	Bolt, 4BA c'sk head	3	-	28/1
AGS2001/B/1	. . .	Nut, stiff, 4BA	3	-	28/6
SP15/B	. . .	Washer, 4BA plain	3	-	28/5
EG7.82.2809	. . .	SPACER	1	LFS	28/9
E.E.CO., LINCOLN BS142	. . .	SPARK-GAP	1	-	28/12
		Attaching parts for EG7.82.2807:			
AS1248/3C	. . .	Bolt, 2BA mushroom head	2	-	28/3
SP15/C	. . .	Washer, 2BA plain	2	-	28/2
-	. . .	MOUNTING, AERIAL TUNING UNIT, INSTALLATION (EG7.82.381)	-	-	28/43
		Spares for:			
R A25/1C	. . .	BOLT, 2BA hex. head, support attachments	14	-	28/24
10A/9451644	. . .	MOUNTING, type 350, D.3, 'COLLINS'	1	-	28/37
		Attaching parts for type 350:			
A25/1C	. . .	Bolt, 2BA hex. head	16	-	28/33
AGS2001/C/1	. . .	Nut, stiff, 2BA	16	-	28/36
SP15/C	. . .	Washer, 2BA plain	16	-	28/35
AGS2001/C/1	. . .	NUT, stiff, 2BA	14	-	28/22
EEAS146/18	. . .	SLEEVE, 1¼" long	1	-	
NL8140	. . .	SLEEVE, insulating	1	-	
HC1290	. . .	SPLICE, in line connector	1	-	

RADIO AND RADAR

H.F. RADIO INSTALLATION (ARI.23090)

Part Number	1 2 3 4 5 6	Description	No. Off	Matl. Spec.	Plate No.
EG7.82.247		. . . PLATFORM, assembly	1	L72	28/28
EG7.82.253		. . . STRUT, support	1	L72	28/27
EG7.82.254		. . . STRUT, support	1	L72	28/29
SP15/C		. . . WASHER, 2 BA plain	14	-	28/23
-		. TRAY, TRANSMITTER RECEIVER AND SUPPORT STRUCTURE, INSTALLATION (EG7.82.1885) Spares for:-	-	-	28/32
EG7.82.1887		. . . STRUCTURE, SUPPORT, ASSEMBLY Spares for:-	1	-	28/11
EG7.82.1961		. . . RAIL, SUPPORT, ASSEMBLY Spares for:-	1	-	28/13
EG7.82.2509	 BLOCK, anchor nut, packing	2	BS2572 Type F3	28/25
EG7.82.349		. . . STAY Attaching parts for EG7.82.349:-	2	L72	28/26
A25/1C		. . . Bolt, 2 BA hex. head	1	-	28/18
A25/2C		. . . Bolt, 2 BA hex. head	1	-	28/19
AGS2001/C/1		. . . Nut, stiff, 2 BA	1	-	28/20
SP15/C		. . . Washer, 2 BA plain	2	-	28/21
A25/2E		. . Bolt, 1/4" BSF hex. head	2	-	28/34
A25/28E		. . Bolt, 1/4" BSF hex. head	2	-	28/8
AGS2001/E/1		. . Nut, stiff, 1/4" BSF	4	-	28/30
SP15/E		. . Washer, 1/4" BSF plain	4	-	28/31
R TYPE 390-J1		. . TRAY, mounting, type 390-J1 Attaching parts for 390-J1:-	1	-	28/4
A25/2C		. . Bolt, 2 BA hex. head	16	-	28/14
AGS2001/C/1		. . Nut, stiff, 2 BA	16	-	28/15
SP15/C		. . Washer, 2 BA plain	16	-	28/16
R CHELTON 5503		. WIRE, aerial (Pre Mod 5357)	QR	-	28/44
R 5503A		. WIRE, aerial (Mod 5357)	QR	-	

RADIO AND RADAR

H.F. RADIO INSTALLATION (ARI.23090)

Part Number	Description	No. Off	Matl. Spec.	Plate No.
-	H.F. RADIO IN REAR FUSELAGE, ASSEMBLY (EG7.82.185) Spares for:—	-	-	28/38
CHELTON 5436	. CAP, for ball socket	1	-	28/39
CHELTON 6188	. CAP, for chuck	1	-	28/40
-	. FITTINGS, AERIAL ATTACHMENT ON FIN, INSTALLATION (EC3.82.67) Consisting of:—	-	-	28/51
EC3.82.71	. . BAR, toggle	1	-	28/65
A25/2C	. . BOLT, 2 BA hex. head	2	-	28/66
EC3.82.69	. . EYE-BOLT	1	-	28/62
EC3.82.77	. . NUT, special	1	-	28/61
A27/CS	. . NUT, 2 BA slotted	2	-	28/58
EC3.82.79	. . PIN	1	-	28/56
SP90/C5	. . PIN, split	2	-	28/57
SP90/EB	. . PIN, split	1	-	28/67
EC3.82.81	. . PLATE, adapter	2	-	28/60
EC3.82.73	. . WASHER	1	-	28/63
EC3.82.75	. . WASHER	1	-	28/64
SP15/C	. . WASHER, 2 BA plain	2	-	28/59
CHELTON 6186	. UNIT, chuck	1	-	28/41
CHELTON 8-2	. UNIT, tension	1	-	28/42

RADIO AND RADAR

1520.I.F.F./SSR INSTALLATION (ARI.23134)

Part Number	Description	No. Off	Matl. Spec.	Plate No.
-	1520.I.F.F./SSR INSTALLATION (EG7.82.2851) (MOD 4493)	-	-	
R -	ALTS TO GA OF IFF (EG7.82.5237) (Mod 5466) Spares for:-	-	-	
R -	. I.F.F. IN FRONT FUSELAGE (EG7.82.2853)	-	-	29/1
R -	. I.F.F. IN FRONT FUSELAGE (EG7.82.5239) (Mod 5466) Spares for:-	-	-	
R EG7.82.2859	. . CABLE, ASSEMBLY, I.F.I., FROM TRANSPONDER CONTROL UNIT TO PRESSURE BULKHEAD, GROUP (Pre Mod 5466) Spares for:-	1	-	29/2
R UNIMINYVIN 22	. . . CABLE, uniminyvin 22	QR	-	
1402-1-12-22	. . . CLAMP, cable	1	-	
HELLERMANN 419206	. . . PLUG, filler	18	-	
HELLERMANN, D. 460-22-55S	. . . PLUG, free, 55-way	1	-	
HELLERMANN, D. 466-22-55S-081	. . . PLUG, free, 55-way-angle	1	-	
EEAS146/00	. . . SLEEVE, 1" long	QR	-	
EEAS146/00	. . . SLEEVE, 1-1/2" long	QR	-	
EEAS146/12	. . . SLEEVE, 1/2" long	QR	-	
EEAS146/12	. . . SLEEVE, 3/4" long	QR	-	
EEAS146/22	. . . SLEEVE, 1/4" long	QR	-	
EEAS146/22	. . . SLEEVE, 3/4" long	QR	-	
HV3341	. . . STRAPPING	QR	-	
OP3342	. . . STUD	QR	-	
HC295	. . . TAG, ring tongue	3	-	
HC296	. . . TAG, ring tongue	2	-	
HC490	. . . TAG, quick release	1	-	
R EG7.82.5325	. . CABLE, assembly (Mod 5466)	1	-	
COSSER 16929	. . UNIT, control, transponder, set	1	-	29/3

RADIO AND RADAR

1520.I.F.F./SSR INSTALLATION (ARI.23134)

Part Number	Description	No. Off	Mati. Spec.	Plate No.
—	. I.F.F. IN CENTRE FUSELAGE (EG7.82.2855) Spares for:—	—	—	29/4
—	. . . AERIAL, UPPER, INSTALLATION (EB6.90.157) Spares for:—	—	—	29/5
R 10B4280400	. . . AERIAL, omni, type 100B Attaching parts for 10B4280400:—	1	—	29/6
EB6.90.175	. . . BLOCK, packing	1	—	29/7
AS1242/6C	. . . Bolt, 2 BA c'sk head	12	—	29/8
EB6.90.167	. . . Seal, linatex, 7/16"	1	DTD900	29/9
EB6.90.173	. . . MOUNTING, sub-assembly	1	—	29/10
EB6.90.165	. . . SEAL, skin, linatex, 3/64"	1	DTD900	29/11
EG7.82.2895	. . . CABLE, ASSEMBLY, I.F.3, FROM T/R TO PRESSURE BULKHEAD, GROUP Spares for:—	1	—	29/12
—	. . . CABLE, uniminyvin	QR	—	
HELLERMANN, D. 1402-1-12-22	. . . CLAMP, cable	1	—	
1402-1-12-10	. . . CLAMP, cable	1	—	
CANNON 038819-0003	. . . CONTACT	56	—	
038819-0001	. . . CONTACT	56	—	
038998-0000	. . . JUNCTION, shell	1	—	
036049-0003	. . . PLUG, filler	42	—	
HELLERMANN, D. 419206	. . . PLUG, filler	9	—	
566-22-55P	. . . PLUG, free, 55-way	1	—	
466-10-65	. . . PLUG, free, 6-way	1	—	
CANNON DPJM98-335-B	. . . PLUG, 98-way	1	—	
EEAS146/EQ	. . . SLEEVE, 3/8" long	QR	—	
EEAS146/00	. . . SLEEVE, 1-1/2" long	QR	—	
EEAS146/00	. . . SLEEVE, 1" long	QR	—	
EEAS146/6	. . . SLEEVE, 3/4" long	QR	—	
EEAS146/6	. . . SLEEVE, 1/2" long	QR	—	
EEAS146/22	. . . SLEEVE, 3/4" long	QR	—	
EEAS146/22	. . . SLEEVE, 1/4" long	QR	—	
HV3254	. . . STRAPPING, 1/2" wide	QR	—	
OP3255	. . . STUD	QR	—	
HC294	. . . TAG, ring tongue	23	—	
HC296	. . . TAG, ring tongue	QR	—	
EG7.82.2863	. . . CABLE, ASSEMBLY, T.F., FROM UPPER AERIAL PLUG ASSEMBLY TO SWITCH UNIT PLUG ASSEMBLY, GROUP (MOD 4865, PART A) Spares for:—	1	—	29/13
R UNIRADIO 67 SIS6448	. . . CABLE, uniradio 67	QR	—	
AMPHENOL 82-GB-556-2	. . . PLUG, type 119(CS)	1	—	
EEAS146/2	. . . PLUG, type UKC-2	1	—	
EEAS146/2	. . . SLEEVE, 1" long	QR	—	
EEAS146/2	. . . SLEEVE, 1-1/2" long	QR	—	

1520.I.F.F./SSR INSTALLATION (ARI.23134)

Ref. No.	Part No.	Description							No. off	Matl. Spec.	Cl. of Equip. M.R. L.M.	Fig. and Index	
		1	2	3	4	5	6	7					
	-	I.F.F. IN REAR FUSELAGE (E.G7.82.2857)							-	-	-	29/14	
	-	Spares for:-											
	-	AERIAL, LOWER, INSTALLATION (E.B6.90.159) ..							-	-	-	29/15	
	-	Spares for:-											
R	10B/4280400	-	AERIAL, omni, type 100B							1	-	A	29/16
	26571	E.B6.90.163	Attaching parts for 10B/4280400:-										
	28D/1204937	AS.1242/6C	Block, backing							1	-	C	29/17
	26573	E.B6.90.167	Bolt; 2 BA c'sk head							12	-	C	29/18
			Seal, aerial, 7/16" linatex							1	DTD900	C	29/19
	26570	E.B6.90.161	MOUNTING, sub-assembly							1	-	C	29/20
	26572	E.B6.90.165	SEAL, skin 3/64" linatex							1	DTD900	C	29/21
R	10HB/4699441	E.G7.82.2865	CABLE, ASSEMBLY, I.F.4, FROM LOWER AERIAL .							1	-	B	29/22
			PLUG UNIT TO SWITCH UNIT PLUG										
			ASSEMBLY, GROUP										
			Spares for:-										
R	5E/9100295	-	CABLE, uniradio 67							QR	-	C	
R	10H/9321722	SIS.6448	PLUG, type 119 (CS)							1	-	B	
		AMPHENOL	PLUG, type UKC-2							1	-	-	
		82-GB-556-2											
R		EEAS.146/2	SLEEVE, 1" long							QR	-	-	
R		EEAS.146/2	SLEEVE, 1-1/2" long							QR	-	-	
		E.G7.82.2867	CABLE, ASSEMBLY, I.F.5, FROM SWITCH UNIT ...							1	-	-	29/23
			PLUG ASSEMBLY TO T/R PLUG										
			ASSEMBLY, GROUP										
			Spares for:-										
	5E/9100295	-	CABLE, uniradio 67							QR	-	C	
		AMPHENOL	PLUG, type UKC-2							2	-	-	
		82-GB-556-2											
R		EEAS.146/2	SLEEVE, 1" long							QR	-	-	
R		EEAS.146/2	SLEEVE, 1-1/2" long							QR	-	-	
		-	GUARD, AERIAL, INSTALLATION (E.B6.90.187) ..							-	-	-	29/24
			Spares for:-										
	26566	E.B6.90.197	BRACKET, attachment							4	-	C	29/25
			Attaching parts for E.B6.90.197:-										
	28D/1010658	A25/1B	Bolt; 4 BA hex. head							4	-	C	29/26
	28M/1278189	AGS.2001/B/1	Nut, stiff, 4 BA							4	-	C	29/27
	28W/9419465	SP.13/B	Washer, 4 BA plain							4	-	C	29/28
	26567	E.B6.90.189	GUARD, assembly							1	-	C	29/29
			Attaching parts for E.B6.90.189:-										
	28D/7002428	A25/6C	Bolt; 2 BA hex. head							4	-	C	29/30
	28M/1278190	AGS.2001/C/1	Nut, stiff, 2 BA							4	-	C	29/31
	28W/9419402	SP.13/C	Washer, 2 BA plain							4	-	C	29/32

RADIO AND RADAR

1520.I.F.F./SSR INSTALLATION (ARI.23134)

Ref. No.	Part No.	Description							No. off	Mati. Spec.	Cl. of Equip. M.R. L.M.	Fig. and Index
		1	2	3	4	5	6	7				
	-	PANEL, AERIAL SWITCH PLUG BREAK,							-	-	-	
		ASSEMBLY (E.G7.82.2905)										
		(Mod. 4865 Part A)										
		Spares for:-										
	E.G7.82.2903	BRACKET, and plate assembly							1	-	-	
		Attaching parts for E.G7.82.2903:-										
28D/1010658	A25/1B	Bolt, 4 BA hex. head							4	-	C	
28W/9419465	SP13/B	Washer, 4 BA plain							4	-	C	
5895-99-965-3378	COSSER 16926	TRANSMITTER, receiver							1	-	A	30/8
	-	TRAY, STRUCTURE, INSTALLATION (E.G7.80.2029)							-	-	-	30/9
		Spares for:-										
	E.G7.82.2879	STRUCTURE, SUPPORT, ASSEMBLY							1	-	-	30/10
		Spares for:-										
	E.G7.82.2881	PLATE, MOUNTING, ASSEMBLY							1	-	-	30/11
		Attaching parts for E.G7.82.2881:-										
28D/1011242	A25/7E	Bolt, 1/4" BSF hex. head							6	-	C	30/12
28M/9480017	AGS.2001/E/1	Nut, stiff, 1/4" BSF							6	-	C	30/13
28W/9471273	SP124/E	Washer, 1/4" BSF plain							6	-	C	30/14
5820-99-107-5637	COSSER 16946	TRAY, MOUNTING, ASSEMBLY							1	-	A	30/15
		Attaching parts for 16946:-										
28D/1011030	A25/2E	Bolt, 1/4" BSF hex. head							4	-	C	30/16
28W/9471273	SP124/E	Washer, 1/4" BSF plain							4	-	C	30/17
	E.G7.82.2885	WASHER, spacing							6	-	-	30/18
	E.B6.90.53	TRAY, mounting, sub-assembly							1	-	-	30/19
		Attaching parts for E.B6.90.53:-										
28D/1007981	AS.1248/1/2C	Bolt, 2 BA mushroom head							4	-	C	30/20
28D/1007982	AS.1248/1C	Bolt, 2 BA mushroom head							28	-	C	30/21
28M/1278190	AGS.2001/C/1	Nut, stiff, 2 BA							32	-	C	30/22
28W/9419402	SP13/C	Washer, 2 BA plain							32	-	C	30/23
5895-99-107-1521	COSSER 16941	UNIT, switch, aerial							1	-	A	30/24
		Attaching parts for 16941:-										
28D/9140638	A25/4B	Bolt, 4 BA hex. head							3	-	C	30/25
28W/9419465	SP13/B	Washer, 4 BA plain							3	-	C	30/26

A.P.101B-0417-3A		RADIO AND RADAR					Page MF5					
I.F.F.10 INSTALLATION (ARI.5848)												
Ref. No.	Part No.	Description							No. off	Matl. Spec.	Cl. of Equip. M.R. L.M.	Fig. and Index
		1	2	3	4	5	6	7				
10H/0970099	508/2/07755/007								1	-	C	
5K/9107085	EEAS.146/A								QR	-	C	
5K/9107069	EEAS.146/E								QR	-	C	

RADIO AND RADAR

I.F.F.10 INSTALLATION (ARI.5848)

Ref. No.	Part No.	Description	No. off	Matl. Spec.	Cl. of Equip. M.R. L.M.	Fig. and Index
	—	I.F.F. IN REAR FUSELAGE, ASSEMBLY (E.G7.82.207) . . .	—	—	—	29/27
		Spares for:—				
08E/8850/ 101965	UG.212U	ADAPTOR, angle	1	—	C	29/22
	—	AERIAL, LOWER, INSTALLATION (E.B6.90.159)	—	—	—	29/26
		Spares for:—				
10B/20275	†	AERIAL, omni, type 100B	1	—	A	29/33
		Attaching parts for 10B/20275:—				
26571	E.B6.90.163	Block, packing	1	—	C	29/37
28D/1204937	AS.1242/6C	Bolt, 2 BA c'sk head	12	—	C	29/39
26573	E.B6.90.167	Seal, aerial, 1/16" linatex	1	DTD.900	C	29/36
26570	E.B6.90.161	MOUNTING, assembly	1	—	C	29/28
26572	E.B6.90.165	SEAL, skin, 3/64" linatex	1	DTD.900	C	29/32
10HA/17366	†	CABLE, assembly, type C.267/10/B/1338, from switch . . .	1	—	B	
		unit to omni aerial				
33691	E.A3.90.311	CABLE, assembly, I.F.9, from coder to transmitter/	1	—	B	
		receiver				
	E.G7.82.2253	CABLE, ASSEMBLY, I.F.2, FROM TRANSMITTER/	1	—	LM	
		RECEIVER TO JUNCTION BOX, GROUP				
		(Make from 10HB/6277)				
		Consisting of:—				
5E/3079	†	CABLE, quinipren 6	QR	—	C	
33H/56	†	CEMENT, bostik 771	QR	—	C	
04A/6500/ 000354	AH.3057/6	CLAMP, cable	1	—	C	
5K/87	AGS.1658/0	NUT, cable gland	1	—	C	
5K/9107066	EEAS.146/A	SLEEVE, 3/4" long	QR	—	C	
5K/9107066	EEAS.146/A1	SLEEVE, 3/4" long	QR	—	C	
5K/9107068	EEAS.146/D1	SLEEVE, 1" long	QR	—	C	
5K/34	AGS.1688/2	SLEEVE, slotted, type 1	1	—	C	
5936-99- 9403077	AH.3108A/14S/5S	SOCKET	1	—	B	
5X/7298	Z.19974	THIMBLE, quick release	5	—	C	
32B/498	†	THREAD, waxed linen, No. 18	QR	—	C	
	E.G7.82.2255	CABLE, ASSEMBLY, I.F.3, FROM AERIAL SWITCH	1	—	LM	
		UNIT TO I.F.F. JUNCTION BOX, GROUP				
		(Make from 10HB/6278)				
		Consisting of:—				
5E/3074	†	CABLE, tripren 6	QR	—	C	

I.F.F.10 INSTALLATION (ARI.5848)

Ref. No.	Part No.	Description	No. off	Matl. Spec.	Cl. of Equip. M.R. L.M.	Fig. and Index
33H/56	†	CEMENT, bostik 771	QR	-	C	
10H/0119877	508/2/07705/200	GASKET, outlet	1	-	C	
10H/0970108	508/2/07719/200	GASKET, union	1	-	C	
5K/87	AGS.1658/0	NUT, cable gland	1	-	C	
10H/0970069	CZ.49181	OUTLET, angle	1	-	C	
10H/0970102	508/2/07746/009	RING, compression	1	-	C	
10H/0970096	508/2/07752/007	RING, thrust	1	-	C	
10H/0970114	Z.62240	SLEEVE, cable	1	-	C	
5K/9107066	EEAS.146/A	SLEEVE, 3/4" long	QR	-	C	
5K/9107066	EEAS.146/A1	SLEEVE, 3/4" long	QR	-	C	
5K/9107071	EEAS.146/0	SLEEVE, 1" long	QR	-	C	
5K/33	AGS.1688/1	SLEEVE, slotted, type 1	1	-	C	
10H/0560100	CZ.49015	SOCKET, free Mk. 4, 3-way	1	-	C	
5X/7298	Z.19924	TAG, quick release	3	-	C	
32B/498	†	THREAD, waxed linen, No. 18	QR	-	C	
10HB/1482	†	CONNECTOR, type CA.267/10/B/1156, from switch unit to transmitter receiver	1	-	B	
10HB/1483	†	CONNECTOR, type CA.267/10/B/1157, from switch unit to upper aerial	1	-	B	
	-	GUARD, AERIAL, INSTALLATION (E.B6.90.187)	-	-	-	29/14
		Spares for:-				
26566	E.B6.90.197	BRACKET, attachment	4	-	C	29/3
		Attaching parts for E.B6.90.197:-				
28D/1010658	A.25/1B	Bolt, 4 BA hex. head	4	-	C	29/6
28M/1278189	AGS.2001/B/1	Nut, stiff, 4 BA	4	-	C	29/8
28W/9419465	SP.13/B	Washer, 4 BA plain	4	-	C	29/7
26567	E.B6.90.189	GUARD, assembly	1	-	C	29/15
		Attaching parts for E.B6.90.189:-				
28D/7002428	A.25/6C	Bolt, 2 BA hex. head	4	-	C	29/12
28M/1278190	AGS.2001/C/1	Nut, stiff, 2 BA	4	-	C	29/10
28W/9419402	SP.13/C	Washer, 2 BA plain	4	-	C	29/11
	-	MOUNTING, I.F.F. JUNCTION BOX AND SWITCH UNIT, ASSEMBLY (E.G7.82.2017)	-	-	-	30/15
		Spares for:-				
	E.G7.82.2267	BOX, I.F.F. JUNCTION, ASSEMBLY	1	-	-	30/16
		Spares for:-				
	E.B6.90.303	BOX, JUNCTION, ASSEMBLY	1	-	-	30/12
		Spares for:-				
25930	EEAS.87	NUT, side anchor, 4 BA	4	-	C	30/11

RADIO AND RADAR

I.F.F.10 INSTALLATION (ARI.5848)

Ref. No.	Part No.	Description	No. off	Matl. Spec.	Cl. of Equip. M.R. L.M.	Fig. and Index
1438680	EEAS.15/37/70DR	PACKING	4	L72	C	30/8
25929	EEAS.15/37/70JR	PACKING	4	L72	C	30/10
26584	E.B6.90.199	COVER, ASSEMBLY	1	-	B	30/7
		Spares for:-				
5CW/4860	ZA.2404	GUARD, switch	1	-	B	30/3
		Attaching parts for ZA.2404:-				
28S/1012450	A.32/B10	Screw, 4 BA round head	2	-	C	30/1
28W/1206041	AGS.2035/B	Washer, 4 BA shakeproof	2	-	C	30/4
5CW/5826	D.5401/1	SWITCH	4	-	B	30/2
		Attaching parts for E.B6.90.199:-				
32368	E.A9.81.4357	Screw, cover	1	-	C	30/5
1066	EEAS.28/2/CU	WASHER	8	S.515	C	30/9
1108	EEAS.42	WASHER, leather	4	-	C	30/6
		Attaching parts for E.G7.82.2257:-				
28D/1010658	A.25/1B	Bolt, 4 BA hex. head	4	-	C	30/13
28W/9419465	SP.13/B	Washer, 4 BA plain	4	-	C	30/14
10F/19511	†	SWITCH-UNIT	1	-	B	30/17
		Attaching parts for 10F/19511:-				
28D/9140638	A.25/4B	Bolt, 4 BA hex. head	3	-	C	30/18
28W/9419465	SP.13/B	Washer, 4 BA plain	3	-	C	30/19
	-	TRAY, STRUCTURE, INSTALLATION (E.B6.90.51) ..	-	-	-	30/21
		Spares for:-				
37707	E.B6.90.719	MOUNTING, ASSEMBLY	1	-	C	30/22
		Spares for:-				
	E.B6.90.111	ANGLE	2	-	-	30/30
		Attaching parts for E.B6.90.111:-				
28D/1010658	A.25/1B	Bolt, 4 BA hex. head	3	-	C	30/27
28M/1278189	AGS.2001/B/1	Nut, stiff, 4 BA	3	-	C	30/28
28W/9419474	SP.15/B	Washer, 4 BA plain	3	-	C	30/29
5K/3410	AS.3360/C/3E	LEAD, bonding	1	-	C	30/32
10AJ/162	†	MOUNTING, anti-vibration	4	-	B	30/41
		Attaching parts for 10AJ/162:-				
28D/1010031	A.25/8E	Bolt, 1/4" BSF hex. head	4	-	C	30/36
28D/7002413	A.25/14E	Bolt, 1/4" BSF hex. head	4	-	C	30/34
28M/9480017	AGS.2001/E/1	Nut, stiff, 1/4" BSF	4	-	C	30/44
28W/9418921	SP.13/E	Washer, 1/4" BSF plain	4	-	C	30/43
10A/17930	†	Washer, check	4	-	C	30/42
32662	E.B6.90.721	NUT, RETAINING, ASSEMBLY	2	-	C	30/45
		Spares for:-				
	E.B6.90.123	BLOCK, hinge	1	-	-	30/38
	E.B6.90.121	NUT, knurled	1	-	-	30/40
	E.B6.90.119	PIN	1	-	-	30/37
	E.B6.90.723	SCREW	1	-	-	30/39

A.P.101B-0417-3A

**RADIO AND RADAR
I.F.F.10 INSTALLATION (ARI.5848)**

Ref. No.	Part No.	Description	1 2 3 4 5 6 7							No. off	Matl. Spec.	Cl. of Equip. M.R. L.M.	Fig. and Index No.
Attaching parts for E.B6.90.719—													
28D/9436920	A.25/1C	Bolt, 2 BA hex. head	16	—	C	30/31	
28M/1278190	AGS.2001/C/1	Nut, stiff, 2 BA	16	—	C	30/35	
28W/9419402	SP.13/C	Washer, 2 BA plain	16	—	C	30/33	
10AJ.646	†	MOUNTING , coder, KY95	1	—	A	30/20	
Attaching parts for 10AJ.646—													
28D/1009984	A.25/7B	Bolt, 4 BA hex. head	16	—	C	30/23	
28M/1278189	AGS.2001/B/1	Nut, stiff, 4BA	16	—	C	30/26	
	32555	E.A3.90.309	Piece, packing	4	LFS.23	C	30/24	
28W/9419465	SP.13/B	Washer, 4 BA plain	16	—	C	30/25	

A.P.101B-0417-3A

Page MG1

RADIO AND RADAR
 RADIO ALTIMETER (ARI.23061) (PRE SRIM 3367)
 RADIO ALTIMETER (ARI.23172) (SRIM 3367)

R
R

R

R

R

R

R

R

Part Number	Description	No. Off	Mati. Spec.	Plate No.
	RADIO ALTIMETER, ARI.23061, ASSEMBLY (EG7.82.353) (PRE SRIM 3367)	-	-	31/37
	RADIO ALTIMETER, ARI.23172, ASSEMBLY (EG7.82.353) (SRIM 3367)	-	-	
	Spares for:			
10U/1038541	. AMPLIFIER, type 16089 (Pre Srim 3367)	1	-	31/38
10U/9542618	. AMPLIFIER, type 16089 (Srim 3367)	1	-	
10L/1037449	. CONTROL UNIT, type 16095	1	-	31/34
10D/1037447	. RECEIVER, transmitter, type 16098 (Pre Srim 3367)	1	-	31/1
10D/9542617	. RECEIVER, transmitter, type 16098 (Srim 3367)	1	-	
10B/1046011	. SWITCH, aerial and coupling unit	2	-	31/9

RADIO AND RADAR
RADIO ALTIMETER (ARI.23061) (PRE SRIM 3367)
RADIO ALTIMETER (ARI.23172) (SRIM 3367)

Part Number	Description	No. Off	Mtl. Spec.	Plate No.
				1 2 3 4 5 6
-	RADIO ALTIMETER IN FRONT FUSELAGE (EG7.82.399) Spares for:-	-	-	31/49
UG306A/U	. ADAPTOR, right angle	1	-	31/40
10D/4696726	. BOX, junction, type 16107	1	-	31/35
10D/4277189	. BOX, junction, type 16507 Attaching parts for 10D/4277189:-	1	-	31/41
A31/B10	. Screw, 4BA cheese head	4	-	31/42
SP47/B	. Washer, 4BA spring	4	-	31/43
508/1/03442/003	. CAP, protection	1	-	
EG7.82.529	. CONNECTOR, R.A.2, from junction box type 16507 to pressure bulkhead	1	-	
EG7.82.531	. CONNECTOR, R.A.2A, from junction box type 16107 to pressure bulkhead	1	-	
EG7.82.535	. CONNECTOR, R.A.4, from junction box type 16107 to control unit type 16095	1	-	
EG7.82.539	. CONNECTOR, R.A.5A, from junction box type 16107 to pressure bulkhead	1	-	
EG7.82.541	. CONNECTOR, R.A.7, from junction box type 16107 to electrical indicator "height" at pilot's panel	1	-	
EG7.82.543	. CONNECTOR, R.A.9, from junction box type 16107 to terminal block on pilot's flying panel	1	-	
-	. MOUNTING OF RADAR AND RADAR EQUIPMENT IN UPPER EQUIPMENT BAY, ASSEMBLY (EG7.82.3049) (MOD.5428) (PRE MOD.5466)	-	-	31/44
-	. MOUNTING OF RADIO AND RADAR EQUIPMENT IN UPPER EQUIPMENT BAY (EG7.82.6015) (MOD.5466) Spares for:-	-	-	-
10AR/4280395	. . . BACK-PLATE, tray, for coupling unit	1	-	31/39
EG7.10.97	. . . CHANNEL, RADIO ALTIMETER AMPLIFIER MOUNTING, ASSEMBLY Spares for:-	2	-	31/46
EG7.10.99	. . . CHANNEL	1	L72	31/45
10AJ/1201994	. . . MOUNTING, A.V., type 963 Attaching parts for 10AJ/1201994:-	2	-	31/51
A25/1B	. . . Bolt, 4BA hex. head	8	-	31/50
AGS2001/B/1	. . . Nut, stiff, 4BA	8	-	31/53
SP15/B	. . . Washer, 4BA plain	8	-	31/52
A25/7B	. . . Bolt, 4BA hex. head	4	-	31/48
10A/4702149	. . . Washer, check	4	-	31/47
10AJ/4306051	. . . MOUNTING, type 9274, for transmitter receiver Attaching parts:-	1	-	31/33
A25/14E	. . . Bolt, 1/4" BSF hex. head	4	-	31/21
AGS2001E1	. . . Nut, stiff, 1/4" BSF	4	-	31/23
SP13/E	. . . Washer, 1/4" BSF plain	4	-	31/22
WTD143536	. . . MOUNTING, type 7548, for coupling unit Attaching parts:-	1	-	31/30
A25/7B	. . . Bolt, 4BA hex. head	4	-	31/24
WT33047/C7	. . . Washer, check	4	-	31/25

A.P.101B-0417-3A

Page MG3

RADIO AND RADAR

RADIO ALTIMETER (ARI.23061) (PRE SRIM 3367)

RADIO ALTIMETER (AIR.23172) (SRIM 3367)

R
R

Part Number	Description 1 2 3 4 5 6	No. Off	Mati. Spec.	Plate No.
10AJ/1037400	. . . MOUNTING, type 16097, for amplifier Attaching parts for 10AJ/1037400	1	-	31/36
A25/1C	. . . Bolt, 2 BA hex. head	4	-	31/26
AGS2001/C/1	. . . Nut, stiff, 2 BA	4	-	31/28
SP13/C	. . . Washer, 2 BA plain	4	-	31/27
-	. . . SWITCHES, AERIAL INSTALLATION AND CONTROL UNIT (EG7.82.3043) (Mod.5428) (Pre Mod.5466) Spares for:-	-	-	43/1
EG7.81.4037 BLOCK, fuse, assembly Spares for:-	1	-	43/2
CZ52815 or 703-1-00416 BLOCK, fuse	1	-	43/3
EG7.81.4039 LABEL Attaching parts for EG7.81.4037:-	1	-	43/4
A31/B6 Screw, 4 BA	2	-	43/5
SP47/B Washer, spring	2	-	43/6
AS10 or 5CZ/5216 FUSE, 10A	1	-	43/7
EG7.81.4035 PLATE (Ref 30B/9611218) Attaching parts for EG7.81.4035	1	18 SWG	43/8
A31/B20 Screw, 4 BA	4	-	43/9
WB1114/22 Spacer	4	-	43/10
-	. . . SWITCHES, AERIAL INSTALLATION AND CONTROL UNIT (EG7.82.6011) (Mod.5466) Spares for:-	-	-	43/11
EG7.81.4037 BLOCK, fuse, assembly Spares for:-	1	-	43/12
CZ52815 or 703-1-00416 BLOCK, fuse	1	-	43/13
EG7.81.4039 LABEL Attaching parts for EG7.81.4037:-	1	-	43/14
A31/B6 Screw, 4 BA	2	-	43/15
SP47/B Washer, spring	2	-	43/16
72541-022-0 BLOCK, terminal Attaching parts:-	1	-	43/17
36765-502-0 Pillar, fixing	2	-	43/18
AGS2001/B/1 Nut, stiff	2	-	43/19
SP15/B Washer	2	-	43/20
41852-822-0 COVER, terminal block	1	-	43/21
AS10 FUSE, 10A	1	-	43/22
EG7.81.5653 PLATE Attaching parts:-			43/23
A31/B20 Screw, 4 BA	4	-	43/24
WB1114/22 Spacer	4	-	43/25
EEAS550-2 PLATE, ident	1	-	43/26
GRADE CXH SLEEVE, 3mm 1/D x 3/8" long	QR	-	43/27
10H/4695561	. . . PLUG, dummy, type 106	1	-	
10H/4695502	. . . PLUG, dummy, type 107	1	-	

RADIO AND RADAR
 RADIO ALTIMETER (ARI.23061) (PRE SRIM 3367)
 RADIO ALTIMETER (ARI.23172) (SRIM 3367)

Part Number	Description	No. Off	Matl. Spec.	Plate No.
-	RADIO ALTIMETER IN CENTRE FUSELAGE, ASSEMBLY (EG7.82.401) Spares for:-	-	-	31/29
EG7.82.525	. CONNECTOR, R.A.1 from distributor box No. 1 break to junction box type 16507 and transmitter receiver type 16098	1	-	
EG7.82.533	. CONNECTOR, R.A.3, from junction box type 16507 to transmitter receiver type 16098	1	-	
EG7.82.537	. CONNECTOR, R.A.5, from pressure bulkhead to transmitter receiver type 16098	1	-	

AP101B-0417-3A

Page MG5

RADIO AND RADAR
RADIO ALTIMETER (ARI.23061) (PRE SRIM 3367)
RADIO ALTIMETER (ARI.23172) (SRIM 3367)

R
R

Part Number	Description	No. Off	Mati. Spec.	Plate No.	
					1
-	RADIO ALTIMETER IN REAR FUSELAGE ASSEMBLY (EG7.82.403) Spares for:-	-	-	31/18	
-	UNITS, RADIO ALTIMETER IN REAR FUSELAGE HATCH, INSTALLATION (EG7.82.709) Spares for:-	-	-	31/19	
EG7.82.713	AERIAL, HORN, RADIO ALTIMETER Mk 7, ASSEMBLY Spares for:-	2	-	31/20	
10D/1042242	HORN, waveguide Attaching parts for EG7.82.713:-	1	-	31/10	
AS1248/2C	Bolt, 2BA mushroom head	60	-	31/12	
10HB/9529594	CONNECTOR, aerial (Pre srim 3367)	2	-	31/8	
10HB/9542631	CONNECTOR, aerial receive (Srim 3367)	1	-		
10HB/9542632	CONNECTOR, aerial transmit (Srim 3367)	1	-	31/54	
EG7.82.549	CONNECTOR, RA28, from transmitter receiver type 16098 to aerial switch and coupling units	1	-	31/5	
EG7.82.813	FAIRLEAD, assembly Attaching parts for EG7.82.813:-	1	-	31/14	
A25/3C	Bolt, 2BA hex head	4	-	31/13	
EG7.82.831	STRIP, bonding, copper, 28 SWG (Make from 30B/1071)	2	BS899	31/7	
10AJ/698	TRAY, mounting, type 16096 Attaching parts for 10AJ/698:-	1	-	31/2	
A25/10E	Bolt, 1/4" BSF hex head	4	-	31/3	
WT33047	Washer, check	4	-	31/4	
10D/1039075	UNIT, delay, type 16119 Attaching parts for 10D/1039075:-	1	-	31/16	
AS1246/3C	Bolt, 2BA round head	3	-	31/15	
EEAS238/1A	WASHER, 'D', clipping attachments	8	L72	31/11	
EEAS240/1A	WASHER, 'D', clipping attachments	2	L72	31/17	
EEAS240/3A	WASHER, 'D', clipping attachments	1	L72	31/6	

R
R
R

A.P.101B-0417-3A

Page MH1

RADIO AND RADAR

RADIO COMPASS (ARI.5877)

Part Number	Description	No. Off	Matl. Spec.	Plate No.
R -	RADIO COMPASS, A.R.I.5877, ASSEMBLY (EG7.82.241) (Pre Mod 5466)	-	-	
R -	RADIO COMPASS, A.R.I.5877, ASSEMBLY (EG7.82.5235) (Mod 5466) Spares for:-	-	-	
UG/30/U	. ADAPTER (SRIM 3932) (Mod 5176)	1	-	
R 10B4307188	. AERIAL, loop, type 8280	1	-	32/2
R 10U4307199	. AMPLIFIER, R.F., type 8281	1	-	32/10
R 10U4307201	. AMPLIFIER, I.F., type 8282	1	-	32/23
R 10AR4307167	. BACK-PLATE, control unit	1	-	32/14
R 5CZ4350507	. BOX, junction, 6-way	1	-	32/22
SCSHQ127090A1	. CONNECTOR (SRIM 3932) (Mod 5176)	1	-	
SCSHQ127090A2	. CONNECTOR (SRIM 3932) (Mod 5176)	1	-	
R 10AC4307203	. COUPLING, straight, type 512	1	-	32/17
R TYPE 310/78	. DRIVE, tuning, type 310/78	1	-	32/18
R 10P4698455	. FILTER, voice range, type 1275 (Pre Mod 5466)	1	-	32/13
R 10Q16357	. INDICATOR, bearing, type 9551	1	-	32/5
R 10AJ4307200	. MOUNTING, R.F., type 8288	1	-	32/11
R 10AJ4307202	. MOUNTING, I.F., type 8289	1	-	32/24
R 10L4418805	. UNIT, control, type 8283	1	-	32/15
R 10AD4307190	. UNIT, Q.E. corrector	1	-	32/8

RADIO AND RADAR

RADIO COMPASS (ARI.5877)

Part Number	Description	No. Off	Matl. Spec.	Plate No.
—	RADIO COMPASS IN FRONT FUSELAGE, ASSEMBLY (EG7.82.395)	—	—	
EG7.82.2871	Spares for:— CONNECTOR, ASSEMBLY, Q.D. FROM R.F. AMPLIFIER, NAVIGATOR'S STATION, TO PLUG BREAK, SENSE AERIAL, RIB 3-4, PORT WING, GROUP (MOD 4715) Consisting of:—	—	—	32/29
EG7.82.543	ADAPTER	1	L64	32/39
EG9.82.389	BOARD, tag, assembly	1	—	32/40
HELLERMANN SR5267	BUNG, pressure	1	—	32/1
UNIRADIO 64 MAGNETIC DEVICES SR12J	CABLE, uniradio 64	QR	—	32/34
10H0970113	CONNECTOR, co-ax. pattern 12	1	—	32/35
AP1696	NUT, coupling	1	—	32/41
CANNON PC60912/2	PLUG, co-ax, straight	1	—	32/30
CANNON PC60913/2	SLEEVE, inner	1	—	32/31
EEAS146/6	SLEEVE, outer	1	—	32/36
EEAS146/2	SLEEVE, 1/2" long	QR	—	32/37
EEAS146/2	SLEEVE, 1" long	QR	—	32/42
EEAS146/2	SLEEVE, 1.1/2" long	QR	—	32/32
EG9.82.397	SPACER	1	—	32/33
EG7.82.429	CONNECTOR, assembly, Q.A. from Q.E. connector unit to loop aerial	1	—	32/7
EG7.82.431	CONNECTOR, assembly, Q.B. from pressure bulkhead to Q.E. connector unit.	1	—	32/9
EG7.82.433	CONNECTOR, assembly, Q.B.1 from bearing indicator to pressure bulkhead	1	—	32/4
EG7.82.435	CONNECTOR, assembly, A.C. from bearing indicator to R.F. amplifier	1	—	32/6
EG7.82.439	CONNECTOR, assembly, Q.E. from control unit to R.F. amplifier (Pre Mod 5466)	1	—	32/20
EG7.82.5329	CABLE, assembly, Q.E. (Mod 5466)	1	—	
EG7.82.441	CONNECTOR, assembly, Q.G. from control unit to electrical control panel	1	—	32/19

RADIO COMPASS (ARI.5877)

Part Number	Description	No. Off	Matl. Spec.	Plate No.
EG7.82.443	. CONNECTOR, assembly, Q.H., from I.F. amplifier to R.F. amplifier	1	-	32/36
CS5411/13	. CONNECTOR (Mod.4926) (Pre-Mod.5466)	1	-	32/43
EG7.82.5617	. CABLE, assembly, Q.J. (Mod.5466)	1	-	
EG7.82.447	. CONNECTOR, assembly, Q.K., from A.C. supply junction box to radio compass bearing indicator	1	-	32/21
EG7.82.449	. CONNECTOR, assembly, Q.L./144, from A.C. supply junction box to radio magnetic indicator at pilot's panel	1	-	32/12
EG7.82.451	. CONNECTOR, assembly, Q.L., from A.C. supply junction box to radio magnetic indicator at navigator's panel	1	-	32/35
EG7.82.455	. WASHER, special, between loop aerial and structure	4	Neoprene	32/3

R

RADIO AND RADAR

RADIO COMPASS (ARI.5877)

Part Number	1 2 3 4 5 6	Description	No. Off	Matl. Spec.	Plate No.
-		RADIO COMPASS IN PORT WING, ASSEMBLY (EG7.82.397)	-	-	33/1
-		Spares for:- AERIAL, SENSE, RADIO COMPASS INSTALLATION (EG7.82.35)	-	-	33/2
EG7.82.2631		Spares for:- AERIAL, SENSE, RADIO COMPASS, GROUP	1	-	33/3
EG7.82.2637		Consisting of:- AERIAL, assembly	2	L54	33/4
EG7.82.2639		CLIP, aerial support	1	L72	33/9
AS1248/3C		Attaching parts for EG7.82.2639:- Bolt, 2 BA mushroom head	2	-	33/13
AGS2002/C/1		Nut, stiff, 2 BA	2	-	33/11
SP15/C		Washer, 2 BA plain	2	-	33/12
EG7.82.47		CONDUCTOR, aerial, assembly	1	B11	33/14
EG7.82.39		INSULATOR, forward	1	L44	33/16
EG7.82.2633		INSULATOR, centre	1	L44	33/6
EG7.82.2635		INSULATOR, aft	1	L44	33/5
AGS2002/C/4		NUT, stiff, 2 BA	4	-	33/28
EB8.82.1173		PAD, rubber	1	-	-
↑		RUBBER, 'sorbo', 1.0" x 1.5" x 1/8" thick	2	-	33/8
A33/C18		SCREW, 2 BA c'sk head	2	-	33/15
EG7.82.2889		SPACER (Mod 4715)	1	-	33/23
SP56/C		WASHER, 2 BA spring	3	-	33/33
-		ALTERATIONS, TO PORT WING, ASSEMBLY (EG7.20.779)	-	-	33/22
EG7.82.2765		Spares for:- BRACKET	1	L72	33/26
EG7.20.785		LANDING, panel	1	L73	33/19
EG7.20.787		PANEL, access	1	L73	33/17
EEAS1/1.1/2C		Attachments for EG7.82.787:- Screw, 2 BA 120° c'sk head	16	S96	33/18
EG7.20.781		STIFFENER	1	L72	33/21
EG7.20.783		STIFFENER	2	L72	33/7
EG7.20.791		STRINGER	2	EEDX33	33/24
AS1242/8C		BOLT, 2 BA c'sk head, sense aerial insulator attachments to rib	18	-	33/20

RADIO COMPASS (ARI.5877)

Ref. No.	Part No.	Description							No. off	Matl. Spec.	Cl. of Equip. M.R. L.M.	Fig. and Index
		1	2	3	4	5	6	7				
R 10HB/6242884	E.G7.82.2871	CONNECTOR, ASSEMBLY, Q.D.1, FROM PLUG BREAK TO SENSE AERIAL PORT WING, RIBS 3 AND 4, GROUP (MOD. 4715) Consisting of:—							1	—	B	33/27
	5E/3897 †	CABLE, unifersil 14							QR	—	C	33/25
R	EEAS.146/12	SLEEVE, 1" long							QR	—	—	33/21
R 10H/540014	AP.1280	SOCKET, coax fixed, type SR.2E							1	—	C	33/29
R 5X/9450380	HC.312	TAG, ring tongue							1	—	C	33/30
R 5F/4342141	RAYCHEM	TUBING, S.C.L. 1/4" grey							QR	—	C	33/32

A.P.101B-0417-3A

Page MJ1

RADIO AND RADAR

TACAN (ARI.18107/4)

Part Number	Description	No. Off	Matl. Spec.	Plate No.
R -	ALTS TO GA OF TACAN (EG7.82.5241) (Mod 5466)	-	-	
-	TACAN, ARI.18107/4, INSTALLATION (EG7.82.127) Spares for:-	-	-	34/1
R RT220CARN21	. TRANS/RECEIVER (Pre Mod 5466)	1	-	34/5
R RT636ARN72	. TRANS/RECEIVER (Mod 5466)	1	-	
R 1LRU164A	. UNIT, control, type 7750 (Pre Mod 5466)	1	-	34/15
R 1LRU164E	. UNIT, control, type 9273A (Mod 5466)	1	-	
WTD143220	. UNIT, coupling, type 9546	1	-	34/10

RADIO AND RADAR

TACAN (ARI.18107/4)

Part Number	Description	No. Off	Mati. Spec.	Plate No.
-	TACAN IN FRONT FUSELAGE, ASSEMBLY (EG7.82.129) Spares for:-	-	-	34/2
UG212C/U	. ADAPTER, angle, series HN	1	-	34/6
EG7.82.133	. CONNECTOR, No. 1, from pressure bulkhead to indicator type 9547 at pilot's panel	1	-	34/16
EG7.82.135	. CONNECTOR, No. 1A, from coupling unit type 9546 to pressure bulkhead	1	-	34/9
EG7.82.137	. CONNECTOR, No. 2, from pressure bulkhead to indicator type 9547 at navigator's panel (Pre-Mod.5466)	1	-	34/17
EG7.82.5469	. CONNECTOR, No. 2 (Mod.5466)	1	-	
EG7.82.139	. CONNECTOR, No. 2A, from coupling unit type 9546 to pressure bulkhead	1	-	34/8
R CS5411/14	. CONNECTOR, No. 3 (Mod.4926) (Pre-Mod.5466)	1	-	34/14
EG7.82.5471	. CONNECTOR, No. 3 (Mod.5466)	1	-	
EG7.82.143	. CONNECTOR, No. 3A, from transmitter receiver type RT220C to pressure bulkhead	1	-	34/4
EG7.82.145	. CONNECTOR, No. 4, from transmitter receiver type RT220C to coupling unit type 9546	1	-	34/7
EG7.82.147	. CONNECTOR, No. 5, from coupling unit type 9546 to transmitter receiver type RT220C and DC distribution box No. 2	1	-	34/11
EG7.82.149	. CONNECTOR, No. 6, from omni aerial type 100B to transmitter receiver type RT220C	1	-	34/13
22139599	. WASHER, panel packing	3	-	34/18

RADIO AND RADAR
TACAN (ARI.18107/4)

Ref. No.	Part No.	Description							No. off	Matl. Spec.	Cl. of Equip. M.R. L.M.	Fig. and Index
		1	2	3	4	5	6	7				
R 10B/4280400 28D/1013172	—	TACAN IN CENTRE FUSELAGE,							—	—	—	34/3
	—	ASSEMBLY (E.G7.82.131) Spares for:—							—	—	—	34/12
	†	AERIAL, TACAN, INSTALLATION (E.G7.82.703)							—	—	—	34/19
	E.G7.82.795	AERIAL, omni, type 100B							1	—	A	34/19
	AS.1242/5C	Attaching parts for 10B/4280400:—							1	L65	—	34/20
		Block, packing							1	—	C	34/21
		Bolt, 2 BA c'sk head							12	—	—	34/21

RADIO AND RADAR

RADIO AND INTERCOM (U.A.60) (ARI.23099/7)

Part Number	Description	No. Off	Matl. Spec.	Plate No.
R -	U.A.60 INTERCOM, ASSEMBLY (EG7.82.357) (Pre Mod 5466)	-	-	35/23
R -	U.A.60, INTERCOM, ASSEMBLY (EG7.82.5217) (Mod 5466) Spares for:-	-	-	44/1
UA6070	. AMPLIFIER	1	-	35/22
R A691-5	. AMPLIFIER (Mod 5466)	1	-	44/2
R UA6016/5F	. BOX, station, pilot's, navigator's and A.E.O's (Pre Mod 5466)	3	-	35/10
R 8-9992-683-0	. BOX, station TYPE UA6018-3F (Mod 5466)	2	-	44/3
R 8-9992-684-0	. BOX, station TYPE UA6118-1F (Mod 5466)	1	-	44/4
R B47221-007-0	. BOX, distribution TYPE UA6042 (Mod 5466)	2	-	44/5
R 8-9992-686-0	. BOX, distribution: TYPE UA6147-1 (Mod 5466)	1	-	44/6
R UA6043/7	. BOX, junction, inter-connection (Pre Mod 5466)	1	-	35/20
R SC5411/9	. CONNECTOR, from TB3668/1 to PL10 (Mod 4926) (Pre Mod 5466)	1	-	35/41
R 2/SC95437	. LABEL (Mod 4926)	3	-	35/42
8804-B102	. SWITCH, press to test	1	-	35/43
AS10512A-7	. SWITCH, press to test	1	-	35/44
-	. SWITCH, TRANSMIT, AEO's FOOT OPERATED, INSTALLATION (EG7.81.4047) (Mod 5436) Spares for:-	-	-	
WB/UN/1146/S/5/B or HWB/UN/1146/S/5 /B	. . . BLOCK, terminal	1	-	42/1
UNIMINYVIN 20 AS3180/3B	. . . CABLE	QR	-	42/2
	. . . CLIP, 'P'	1	-	42/3
	Attaching parts for AS3180/3B:-			
AGS2001/B/1 A31/B16	. . . Nut, stiff, 4 BA	1	-	42/4
	. . . Screw, 4 BA cheese head	1	-	42/5
AS3180/3B	. . . CLIP, 'P'	2	-	42/6
	Attaching parts for AS3180/3B:-			
AGS2001/B/1 A31/B20 SP15/B	. . . Nut, stiff, 4 BA	1	-	42/7
	. . . Screw, 4 BA cheese head	1	-	42/8
	. . . Washer	1	-	42/9
R EG7.82.3025	. . . CONNECTOR, UA60, No. 13 (Pre Mod 5466) Spares for:-	1	-	42/10
UNIMINYVIN 20 419743 CABLE	QR	-	
467-12-3S or 6432-1-A-12-3S or 6432-1-C-12 UKAN INSERT, socket	3	-	
9000-22-14P or 508-1-05372-121 NUT, jam	1	-	
 NUT, jam			
 NUT, sealing			
 PLUG, free, 19-way	1	-	
 PLUG, free, 19-way			

RADIO AND RADAR

RADIO AND INTERCOM (U.A.60) (ARI.23099/7)

Part Number	1 2 3 4 5 6	Description	No. Off	Mati. Spec.	Plate No.
508/2/05604/002	. . .	PLUG, contact	19	-	
508/2/04367	. . .	PLUG, filler	11	-	
508/2/05851/007	. . .	RING, anti-chafe	1	-	
508/2/15662	. . .	SLEEVE, packing	8	-	
EEAS146-6- 1/2"	. . .	SLEEVE	QR	-	
EEAS146-6- 1"	. . .	SLEEVE	QR	-	
EEAS146-12- 1/2"	. . .	SLEEVE	QR	-	
EEAS146-12- 1"	. . .	SLEEVE	QR	-	
EEAS146-20- 1/4"	. . .	SLEEVE	QR	-	
EEAS146-20- 1/2"	. . .	SLEEVE	QR	-	
EEAS146-20- 3/4"	. . .	SLEEVE	QR	-	
EEAS146-20- 1"	. . .	SLEEVE	QR	-	
HC294D	. . .	TAG, RT	1	-	
HC490	. . .	TAG, QR	3	-	
EG7.82.5523	. . .	CONNECTOR, UA60, No.13 (Mod 5466)	1	-	
EG7.82.3027	. . .	CONNECTOR, UA60, No.14 Spares for:-	1	-	42/11
UNIMINYVIN 20	. . .	CABLE	QR	-	
466-12-3-P-059 or	. . .	PLUG, free, straight	1	-	
6432-IF-12-3P and 6432-D-12	. . .	PLUG, free, straight	1	-	
	. . .	CLAMP	1	-	
0641-12-1656	. . .	PLUG, pin	3	-	
EEAS146-12- 1"	. . .	SLEEVE	QR	-	
EEAS146-12- 1/2"	. . .	SLEEVE	QR	-	
EEAS146-20- 3/4"	. . .	SLEEVE	QR	-	
EEAS146-20- 1/4"	. . .	SLEEVE	QR	-	
HC294	. . .	TAG, RT	3	-	
AGS2007/B/1	. . .	NUT, anchor	3	-	42/12
508/2/05851/007	. . .	RING, anti-chafe	1	-	42/13
AS10512-M2	. . .	SHROUD	1	-	42/14
508/2/15662	. . .	SLEEVE, packing, green	8	-	42/15
EEAS146-20- 1/4"	. . .	SLEEVE	QR	-	42/16
EEAS146-20- 3/4"	. . .	SLEEVE	QR	-	42/17
YB6.82.671	. . .	SWITCH, feet, assembly Attaching parts for YB6.82.671:-	1	-	42/18
A32/B20	. . .	Screw, 4 BA round head	3	-	42/19
AS10512E-4	. . .	SWITCH	1	-	42/20
HC294D	. . .	TAG, RT	6	-	42/21
HC294	. . .	TAG, RT	6	-	42/22
LKOB-HS-8	. . .	TIE, insulok, black	QR	-	42/23

RADIO AND RADAR

RADIO AND INTERCOM (U.A.60) (ARI.23099/7)

Part Number	Description 1 2 3 4 5 6	No. Off	Matl. Spec.	Plate No.

RADIO AND RADAR

RADIO AND INTERCOM (U.A.60) (ARI.23099/7)

Part Number	Description	No. Off	Matl. Spec.	Plate No.
R -	U.A.60 INTERCOM IN FRONT FUSELAGE, ASSEMBLY (EG7.82.417) (Pre Mod 5466)	-	-	35/24
R -	U.A.60 INTERCOM IN FRONT FUSELAGE, (EG7.82.5219) (Mod 5466) Spares for:-	-	-	44/7
-	. . AMPLIFIER, AND JUNCTION BOX, FRAMES 6 AND 7, INSTALLATION (EG7.82.1131) Spares for:-	-	-	35/7
EG7.82.1135	. . ANGLE, assembly	2	L72	35/3
EG7.82.915	. . LABEL, engraved	1	L72	35/1
EG7.82.1133	. . PLATE, mounting, assembly Attaching parts for EG7.82.1133:-	1	L72	35/2
AS1248/1C	. . Bolt, 2 BA mushroom head	6	-	35/4
R -	. . BLOCK TERMINAL, MIC/TEL, INSTALLATION (EG7.82.1201) (Pre Mod 5466) Spares for:-	-	-	35/6
1240	. . BLOCK, terminal, type B, No. 1	6	-	35/5
MARTIN BAKER A/MBEU/125EE	. . BRACKET, tel/mic Attaching parts for A/MBEU/125EE:-	2	-	35/18
A25/1C	. . Bolt, 2 BA head	8	-	35/17
AGS2001/C/1	. . Nut, stiff, 2 BA	8	-	35/16
SP15/C	. . Washer, 2 BA plain	8	-	35/15
EA3.82.53	. . PIECE, packing	2	LFS21	35/8
R -	. . BLOCK, TERMINAL, MIC/TEL AND OVERRIDE INSTALLATION (EG7.82.5653) (Mod 5466) Spares for:-	-	-	44/8
R TYPE B No. 1	. . BLOCK, terminal Attaching parts:-	4	-	44/9
R AGS2001/A/1	. . Nut, 6 BA	2	-	44/10
R A33/A24	. . Screw, 6 BA, c'sk head	2	-	44/11
R 72541-030-0	. . BLOCK, terminal, 10-way Attaching parts:-	1	-	44/12
R 36765-502-0	. . Pillar, fixing	2	-	44/13
R 72541-025-0	. . BLOCK, terminal, 5-way Attaching parts:-	4	-	44/14
R 36765-502-0	. . Pillar, fixing	2	-	44/15
R A/MBEU/125EE	. . BRACKET, Tel/Mic Attaching parts:-	2	-	44/16
R A25/1C	. . Bolt, 2 BA	4	-	44/17
R AGS2001/C/1-66	. . Nut, 2 BA	4	-	44/18
R SP15/C	. . Washer	4	-	44/19

RADIO AND RADAR

RADIO AND INTERCOM (U.A.60) (ARI.23099/7)

Part Number	Description	No. Off	Mati. Spec.	Plate No.
R EG7.82.5657	. . BRACKET	1	1.2mm-L164	44/20
R EG7.82.5659	. . BRACKET	1	1.2mm-L164	44/21
R 41851-830-0	. . COVER	1	-	44/22
R 41851-825-0	. . COVER	4	-	44/23
R AGS2007/B/1	. . NUT, anchor, 4 BA	8	-	44/24
R -	. . EARTH, POINT E35, E36 and E37 Consisting of:-	-	-	
R A54C	. . NUT, 2 BA	1	-	44/25
R AGS2001/C/4	. . NUT, stiff, 2 BA	1	-	44/26
R A43/C24	. . SCREW, 2 BA, cheese head	1	-	44/27
R SP25/C	. . WASHER	4	-	44/28
R EA3.82.59/1	. CABLE, ASSEMBLY, RT1, FROM TERMINAL BOARD TO MIC/TEL AT PILOT'S SEAT, GROUP (Pre Mod 5466)	1	-	35/39
R EA3.82.131	. CABLE, ASSEMBLY, RT22, FROM TERMINAL BOARD TO A.E.O's MIC/TEL	1	-	35/40
R EG7.82.5525	. CONNECTOR, No.15 (Mod 5466)	1	-	
R EG7.82.5527	. CONNECTOR, No.16 (Mod 5466)	1	-	
R EG7.82.5529	. CONNECTOR, No.17 (Mod 5466)	1	-	
R EG7.82.5531	. CONNECTOR, No.18 (Mod 5466)	1	-	
R EG7.82.5533	. CONNECTOR, No.19 (Mod 5466)	1	-	
R EG7.82.5541	. CONNECTOR, No.23 (Mod 5466)	1	-	
R EG7.82.5535	. CONNECTOR, No.24 (Mod 5466)	1	-	
R EG7.82.5543	. CONNECTOR, No.25 (Mod 5466)	1	-	
R EG7.82.5537	. CONNECTOR, No.26 (Mod 5466)	1	-	
R EG7.82.5545	. CONNECTOR, No.27 (Mod 5466)	1	-	
R EG7.82.5539	. CONNECTOR, No.28 (Mod 5466)	1	-	
R EG7.82.5651	. CABLE, assembly, RT20 (Mod 5466)	1	-	
R EG7.82.5655	. CABLE, assembly, No.29 (Mod 5466)	1	-	
R EG7.82.5725	. CONNECTOR, No.30 (Mod 5466)	1	-	
R EG7.82.5719	. CONNECTOR, No.31 (Mod 5466)	1	-	
R EG7.82.5721	. CONNECTOR, No.32 (Mod 5466)	1	-	
R EG7.82.5723	. CONNECTOR, No.33 (Mod 5466)	1	-	

RADIO AND RADAR

RADIO AND INTERCOM (U.A.60) (ARI.23099/7)

Part Number	Description 1 2 3 4 5 6	No. Off	Matl. Spec.	Plate No.

RADIO AND RADAR

RADIO AND INTERCOM (U.A.60) (ARI.23099/7)

Part Number	Description	No. Off	Matl. Spec.	Plate No.
EG7.82.607	. CONNECTOR, UA60, No.1, from pilot's station box to UA60 junction box socket	1	-	35/11
EG7.82.609	. CONNECTOR, UA60, No.2, between pilot's and navigator's station box	1	-	35/26
EG7.82.611	. CONNECTOR, UA60, No.3, between A.E.O's and navigator's station box	1	-	35/25
EG7.82.613	. CONNECTOR, UA60, No.4, from A.E.O's station box to UA60 junction box plug	1	-	35/12
EG7.82.615	. CONNECTOR, UA60, No.5, from UA60 junction box plug to JB14 and pressure bulkhead	1	-	35/14
R EG7.82.619	. CONNECTOR, UA60, No.6 from pilot's station box to pilot's tel/mic socket T/B pilot's pitot switch T/B and pilot's dimmer (Pre Mod 5466)	1	-	35/9
R EG7.82.621 or EG7.82.2909	. CONNECTOR, UA60, No.7, from navigator's station box to navigator's tel/mic socket T/B, navigator's dimmer and navigator's pitot switch (Pre Mod 5466)	1	-	35/27
R EG7.82.623	. CONNECTOR, UA60, No.8, from A.E.O's station box to A.E.O's tel/mic socket T/B, A.E.O's pitot switch and A.E.O's dimmer (Pre Mod 5466)	1	-	35/13
EG7.82.625	. CONNECTOR, UA60, No.9, from ground crew amplifier UA60 to UA60 junction box	1	-	35/21
R 1200-001	. RECORDER (DAVALL) (Mod 5466)	1	-	44/29
R 5905-99-0135501	. RESISTOR, 3K, Type MR6 (Mod 5466)	1	-	
R EEAS200	. RING, locking (Pre Mod 5466)	1	Nylon	35/36
R A31/C12	. SCREW, 2 BA cheese head (Mod 5466)	3	-	
R A32/C16	. SCREW, 2 BA round head (Mod 5466)	4	-	
R EEAS563	. SLEEVE, special (Pre Mod 5466)	1	Rubber	35/38
R 36161-506-0	. SPACER (Mod 5466)	1	-	
WT25432	. SOCKET, type 359	1	-	35/19
N.S.F. 8804/B102	. SWITCH, tumbler "press to transmit" at navigator's side table	1	-	35/37
R HC294	. TAG, RT (Mod 5466)	2	-	
R SEM/CAN/0150	. UNIT, interface (Mod 5466)	1	-	44/30
R SP125/D	. WASHER (Mod 5466)	7	-	

RADIO AND RADAR

RADIO AND INTERCOM (U.A.60) (ARI.23099/7)

Part Number	Description	No. Off	Matl. Spec.	Plate No.
-	U.A.60 INTERCOM. IN CENTRE FUSELAGE ASSEMBLY (EG7.82.419) Spares for:-	-	-	36/9
R 1240	. BLOCK, terminal, 2-way type B Attaching parts for 1240:-	4	-	36/11
R AGS2001/A/1	. Nut, stiff, 6 BA	2	-	36/12
A45/A20	. Screw, 6 BA c'sk head	2	-	36/13
SP47/A	. Washer, 6 BA spring	2	-	36/14
R WTA106590	. CONNECTOR, type 3570, for external intercom, starboard wheel bay Attaching parts for WTA106590:-	1	-	36/1
R A25/4C	. Bolt, 2 BA hex. head	4	-	36/2
AGS2001/C/1	. Nut, stiff, 2 BA	4	-	36/4
EA3.82.17	. Plate, doubling	1	L72	36/3
EG7.82.617	. CONNECTOR, UA.60, No. 5C, from pressure bulkhead to tel/mic socket T/B, frame 18-19	1	-	36/10
EG7.82.627	. CONNECTOR, UA.60, No. 10, from tel/mic socket T/B frame 18-19 to external I/C connector T/B, starboard wheel bay	1	-	36/15
EG7.82.629	. CONNECTOR, UA.60, No. 11, from external I/C connector T/B, starboard wheel bay to tel/mic socket aft T/B, frame 25-26	1	-	36/16
EG7.82.631	. CONNECTOR, UA.60, No. 12, from tel/mic socket aft T/B frame 25-26 to tel/mic socket, frame 29	1	-	36/17
-	. SOCKET, TEL/MIC, AFT, INSTALLATION (EG7.82.817)	-	-	36/25
R 1240	. . BLOCK, terminal, type B, 2-way, No. 1 Attaching parts for 1240:-	2	-	36/11
R AGS2001/A/1	. . Nut, stiff, 6 BA	4	-	36/12
A33/A20	. . Screw, 6 BA c'sk head	4	-	36/22
R WT25432	. . SOCKET, type 359	1	-	36/21
-	. SOCKET, TEL/MIC, FORWARD, INSTALLATION (EG7.82.819) Spares for:-	-	-	36/26
R 1240	. . BLOCK, terminal, type B, 2-way, No. 1 Attaching parts for 1240:-	2	-	36/11
R AGS2001/A/1	. . Nut, stiff, 6 BA	4	-	36/12
A33/A28	. . Screw, 6 BA c'sk head	4	-	36/23
EG7.82.841	. . PIECE, packing, socket mounting clips (Make from 32B/1250418)	1	BS3396	35/20
EG7.82.843	. . PIECE, packing, terminal block mounting (Make from 32B/1250418)	2	BS3396	36/19
R WT25432	. SOCKET, type 359	1	-	36/21

RADIO AND RADAR

RADIO AND INTERCOM (U.A.60) (AR1.23099/7)

Part Number	Description	No. Off	Mtl. Spec.	Plate No.
	. SOCKET AND FAIRLEAD, ON REAR BOMB BAY BULKHEAD, FRAME 29, INSTALLATION (EG7.82.845)	-	-	36/27
R 1240	Spares for:- . . . BLOCK, terminal, type B, 2-way No. 1	2	-	36/11
R	Attaching parts for 1240:- . . . Nut, stiff, 6 BA	4	-	36/12
AGS2001/A/1	. . . Screw, 6 BA c'sk head	4	-	36/22
A33/A20	. . . Washer, 6 BA plain	4	-	36/18
SP15/A	. . . FAIRLEAD, half	2	BS2966	36/6
EG7.82.847	Attaching parts for EG7.82.847:- . . . Nut, stiff, 6 BA	4	-	36/7
AGS2001/A/1	. . . Screw, 6 BA cheese head	4	-	36/5
R A31/A14	. . . SOCKET, type 359	1	-	36/21
WT25432	. . . WASHER, 'D', clip attachment	3	L72	36/8
EEAS238/1/A	. . . TUBE, distance, clipping frame 19	1	-	36/24
AS2305/025				

A.P.101B-0417-3A

RADIO AND RADAR
U.H.F. INSTALLATION (ARI.23301/1) (ARI.23300)

R

R

R

R

R

R

R

Part Number	Description	No. Off	Mati. Spec.	Plate No.	
					1
-	GA OF TWIN PTR1751W UHF AND STANDBY UHF IN A/C (EG7.82.3031) (Mod 5428) (Pre Mod 5466) (Pre Mod 5543) (Pre Mod 5544)	-	-	37/1	
-	GA OF TWIN PTR1751W UHF AND STANDBY UHF IN A/C (EG7.82.5981) (Mod 5466) (Pre Mod 5543) (Pre Mod 5544)	-	-		
-	GA OF TWIN PTR1751WW, UHF SYSTEM IN A/C (EG7.82.4053) (Mod 5543) (Mod 5544) Spares for:-	-	-		
CP191999	. BOX, inter-connecting (Mod 4926)	2	-	37/2	
EG7.81.4043	. CABLE, assembly 2F135 (Mod 5428)	1	-		
630-1-43409	. PLATE, blanking (Mod 5428) (Service supply)	2	-	37/25	
A34-3603-01	. PLUG-MUTING (Mod 5428) (Service supply)	2	-	37/26	
-	. ROUTING AND CLIPPING No.1 AND No.2 T/R UNIT SUPPLY CABLES (EG7.82.6009) (Mod 5466) Spares for:-	-	-		
AS3181-4B	. . CLIP, "P" Attaching parts:-	6	-	37/27	
A25-1B	. . Bolt, 4BA	1	-	37/28	
AGS2001B1	. . Nut, stiff, 4BA	1	-	37/29	
EEAS238-1A	. . Washer, "D"	1	-	37/30	
PAN6483AA	. . RETAINER, cable	2	-	37/31	
PAN6481B1-01B	. . TIE, cable	QR	-	37/32	
630-1-37851-018	. TRANSCIVER-UHF, PTR1751W (Mod 5428) (Service supply) (Pre Mod 5543)	2	-	37/8	
630-1-37851-118	. TRANSCIVER-UHF, PTR1751WW (Mod 5543)	2	-		
PV1748B	. TRAY, assembly (Mod 5428) (Service supply)	2	-	37/9	
630-1-37854-010	. UNIT, control, PV1754L (Mod 5428) (Service supply) (Pre Mod.5544)	2	-	37/6	
630-1-37854-018	. UNIT, control, PV1754W (Mod 5544)	2	-		
630-1-37846-001	. UNIT, interface, PV1746B (Mod 5428) (Service supply) (Pre Mod 5543)	2	-	37/7	
630-1-37846-101	. UNIT, interface, PV1746BB (Mod 5543)	2	-		

RADIO AND RADAR

U.H.F. INSTALLATION (ARI.18124/1)

Part Number	Description	No. Off	Mati. Spec.	Plate No.
-	U.H.F. IN CENTRE FUSELAGE, ASSEMBLY (EG7.82.107) Spares for:-	-	-	37/5
CHELTON	. AERIAL, U.H.F., type 16-1 (Mod.4926) (For attaching parts see Drawing SC95400) (SRIM 3668)	1	-	
EB6.82.1417	. . PLATE, mounting	1	L72	37/22
CHELTON 10B/2222399	. AERIAL, U.H.F., type 16-1 (Mod.4926) (For attaching parts see Drawing SC95400) (SRIM 3668)	1	-	
EG7.82.603	. CONNECTOR, U.H.F. 7, from magnetic relay type 1741 to upper aerial	1	-	37/4

RADIO AND RADAR

U.H.F. INSTALLATION (ARI.23301/1)

Part Number	Description	No. Off	Matl. Spec.	Plate No.
				1 2 3 4 5 6
-	U.H.F. IN FRONT FUSELAGE, ASSEMBLY (EG7.82.3035) (Mod 5428) (Pre Mod 5466)	-	-	38/1
-	U.H.F. IN FRONT FUSELAGE (EG7.82.5983) (Mod 5466) Spares for:-	-	-	
-	. BOX, INTER-CONNECTING AND MUTING BIAS UNIT, INSTALLATION (EG7.82.307) Spares for:-	-	-	38/9
AS2654	. . BLOCK, connector	2	-	38/15
703-1-00232	. . BLOCK, terminal, 3-way	1	-	38/16
5E/9467424	. . CABLE, uninyvin 20	QR	-	38/18
AS2655	. . COVER, connector block	2	-	38/21
703-1-00263	. . COVER, terminal block	1	-	38/22
AS2672	. . FERRULE, 4 amp	2	-	38/24
AS2696	. . LUG, adapter, 2-way, 19 amp	1	-	38/20
EG7.82.551	. . PANEL, assembly Attaching parts for EG7.82.551:-	1	L72	38/13
AS1248/1/2C	. . Bolt, 2 BA mushroom head	6	-	38/12
Z28426	. . PILLAR, terminal block fixing	2	-	38/19
M.A.M.	. . SLEEVE, 3/8" long, 3 mm i/d, pink, grade CXH	QR	-	38/23
EEAS146/20	. . SLEEVE, 3/4" long	QR	-	38/17
HC490	. . TAG, quick release	1	-	38/14
EG7.82.121	. CABLE, ASSEMBLY, RT.430, FROM TERMINAL BLOCK, PILOT'S FIXED PANEL TO TERMINAL BLOCK, V.H.F. EQUIPMENT PANEL, GROUP Consisting of:-	1	-	38/7
5E/9467424	. . CABLE, uninyvin 20	QR	-	
EEAS146/20	. . SLEEVE, 3/4" long, pink	QR	-	
EEAS146/14	. . SLEEVE, 1.1/2" long, pink	QR	-	
HC490	. . TAG, quick release	4	-	
EG7.82.123	. CABLE, ASSEMBLY, RT.431, FROM JUNCTION BOX UA.6043 TO INTER-CONNECTING BOX AND TERMINAL BLOCK, V.H.F. EQUIPMENT PANEL, GROUP (Pre Mod 5466) Consisting of:-	1	-	38/8
5E/1062269	. . CABLE, uninyvinmetsheath 20	QR	-	
5E/9467424	. . CABLE, uninyvin 20	QR	-	
33H/9130065	. . COMPOUND, sealing, bostik 771	QR	-	
508/1/07777/001	. . CLAMP, cable	1	-	
508/2/07705/300	. . GASKET, outlet	1	-	

RADIO AND RADAR
U.H.F. INSTALLATION (ARI.23301/1)

Part Number	Description	No. Off	Mati. Spec.	Plate No.
508/2/07648/001 NO.671	. . . OUTLET, angle	1	—	
	. . . PAINT, black, No.671	QR	BS381C	
508/1/07023/220	. . . PLUG, free, Mk.7, 6-way	1	—	
508/2/07709/300	. . . RING, sealing (Pre SAS4745)	1	—	
508/2/07708/300	. . . RING, sealing (SAS4745)	1	—	
508/2/07752/007	. . . RING, thrust (SAS4745)	1	—	
EEAS146/20	. . . SLEEVE, 3/4" long	QR	—	
EEAS146/4	. . . SLEEVE, 1" long	QR	—	
EEAS146/12	. . . SLEEVE, 1" long	QR	—	
EEAS146/4	. . . SLEEVE, 1.1/2" long	QR	—	
CANNON				
MC11E-10-6SN	. . . SOCKET	1	—	
NY18007A	. . . STRAP, nylon	QR	—	
NY3255	. . . STUD, nylon	QR	—	
HC490	. . . TAG, quick release	1	—	
SCL-3-16	. . . TUBING, S.C.L., 3/16" grey	QR	—	
5K/	. . . WIRE, tinned copper, 32 SWG	QR	—	
EG7.82.5521	. . . CABLE, ASSEMBLY, RT.431 (Mod.5466)	1	—	
EG7.82.957	. . . CONNECTOR, U.H.F.1, from pilot's fixed panel plug break to inter-connecting box ARC.52	1	—	38/3
EG7.82.111	. . . CONNECTOR, U.H.F.2, from control unit, pilot's fixed panel to inter-connecting box ARC.52	1	—	38/2
EG7.82.113	. . . CONNECTOR, U.H.F.3, from transmitter receiver ARC.52 to pressure bulkhead	1	—	38/4
EG7.82.115	. . . CONNECTOR, U.H.F.3A, from pressure bulkhead to magnetic relay, type 1741	1	—	38/5
EG7.82.117	. . . CONNECTOR, U.H.F.4, from transmitter receiver ARC.52 to inter-connecting box	1	—	38/11
EG7.82.959	. . . CONNECTOR, U.H.F.5, from inter-connecting box to muting bias unit	1	—	38/10
EG7.82.605	. . . CONNECTOR, U.H.F.6, from magnetic relay, type 1741, to lower aerial	1	—	38/6
CS5411/6	. . . CONNECTOR (Mod.4926)	1	—	
or				
EG7.82.2907	. . . CABLE, assembly, U.H.F.2/2 (Pre Mod.5466)	1	—	
EG7.82.5547	. . . CABLE, assembly, U.H.F.2/2 (Mod.5466)	1	—	
EG7.82.5965	. . . CABLE, assembly, U.H.F.9 (Mod.5466)	1	—	
EG7.82.5967	. . . CABLE, assembly, U.H.F.10 (Mod.5466)	1	—	
EG7.82.5969	. . . CABLE, assembly, U.H.F.12 (Mod.5466)	1	—	
CS5411/11	. . . CONNECTOR (Mod.4926)	1	—	
CS5411/2	. . . CONNECTOR (Mod.4926)	1	—	
CS5411/4	. . . CONNECTOR (Mod.4926)	1	—	
CS5411/3	. . . CONNECTOR (Mod.4926)	1	—	
CS5411/5	. . . CONNECTOR (Mod.4926)	1	—	
CS5411/1	. . . CONNECTOR (Mod.4926)	1	—	
CS5411/10	. . . CONNECTOR (Mod.4926)	1	—	

AP101B-0417-3A

RADIO AND RADAR

V.H.F. INSTALLATION ARI.23288/3

Part Number	Description	No. Off	Matl. Spec.	Plate No.
-	V.H.F. IN AIRCRAFT, ASSEMBLY (EG7.82.3033) (Mod 5428) Spares for:—	-	-	39/2
R 10AD/9444583	. BOX, inter-connecting, type E.J.B.21A.3 (Pre-Mod 5504)	1	-	39/11
R A37-0557-01	. BOX, inter-connecting (Mod 5504)	1	-	
AA1209-1	. PLUG, dummy (Mod 5428) (Service supply)	1	-	39/9
AA1206-1	. TRAY, mounting (Mod 5428) (Service supply)	1	-	39/24
AA1201-2	. TRANSMITTER-RECEIVER (Mod 5428) (Service supply)	1	-	39/10
AA1202-2	. UNIT, control (Mod 5428) (Service supply)	1	-	39/5

RADIO AND RADAR

V.H.F. INSTALLATION (ARI.23117/2)

Part Number	1 2 3 4 5 6	Description	No.	Mati. Spec.	Plate No.
			Off		
-		V.H.F. IN FRONT FUSELAGE, ASSEMBLY (EG7.82.405) Spares for:-	-	-	39/1
-		. BONDING OF REDUNDANT AERIALS, ASSEMBLY (EG7.82.2379) Spares for:-	-	-	39/6
EG7.82.2381		. . BRACKET, connector Attaching parts for EG7.82.2381:-	2	BSS265	39/20
4101/8/1/2		. . Screw, self-tapping, round head	4	-	39/23
FILMS & EQUIP.		. . COVER, code R.F.C.E., CAT. No. DC.239	2	-	39/22
EG7.82.2359		. . LEAD, bonding, assembly	2	-	39/15
10H/4306905		. . SOCKET, type 684	2	-	39/17
EC4.82.563		. . WASHER, bonding	2	-	39/21
EA6.82.73		. . WASHER	2	-	39/19
EG7.82.459		. CONNECTOR, V.H.F.1, from junction box type M.15 to control unit	1	-	39/7
EG7.82.461		. CONNECTOR, V.H.F.2, from junction box type M.15 to UA.6043 junction box	1	-	39/8
R EG7.82.463		. CONNECTOR, V.H.F.3, from junction box type M.15 to pressure bulkhead	1	-	39/12
-		. TRAY, MOUNTING, INSTALLATION (EG7.82.479) Consisting of:-	-	-	39/18
10AJ/9478301		. . TRAY, mounting, V.H.F. transmitter receiver Attaching parts for 10AJ/9478301:-	1	-	39/24
A25/2C		. . Bolt, 2 BA hex. head	16	-	39/25
AGS2001/C/1		. . Nut, stiff, 2 BA	16	-	39/27
SP15/C		. . Washer, 2 BA plain	16	-	39/26

RADIO AND RADAR
V.H.F. INSTALLATION (ARI.23117/2)

Ref. No.	Part No.	Description	No. off	Matl. Spec.	Cl. of Equip. M.R. L.M.	Fig. and Index
	—	V.H.F. IN CENTRE FUSELAGE, ASSEMBLY (E.G.7.82.407)	—	—	—	39/3
	—	Spares for:— AERIAL, V.H.F., IN CENTRE FUSELAGE, INSTALLATION (E.G.7.82.705)	—	—	—	39/13
R 10B/1037196	140/LRU-67C	Consisting of:— AERIAL, V.H.F.	1	—	A	39/14
28D/9709461	AS.1242/3C	Attaching parts for 140/LRU-67C:— Bot. 2 BA c'sk head	10	—	C	39/16
10HB/9557319	E.G.7.82.465	CONNECTOR, V.H.F. 3A, from pressure bulkhead to V.H.F. aerial	1	—	B	39/4

RADIO AND RADAR

V.O.R./I.L.S. INSTALLATION (ARI.23118)

Part Number	Description	No. Off	Matl. Spec.	Plate No.
-	V.O.R./I.L.S. INSTALLATION (EG7.82.355) (Pre Mod 5466)	-	-	40/2
-	V.O.R./I.L.S. INSTALLATION (EG7.82.5231) (Mod 5466)	-	-	
	Spares for:-			
10AD/4309259	. BOX, interconnecting, type M.7 (Pre Mod 5251)	1	-	40/8
EJ821B-1	. BOX, interconnecting, type M7A (Mod 5251)	1	-	
10AD/4309260	. BOX, marker backplate junction, type M.8	1	-	40/7
10K/4704436	. PACK, power, V.H.F. receiver	1	-	40/12
10K/4704434	. PACK, power, 'GLIDE SLOPE', receiver	1	-	40/14
10K/4704435	. PACK, power, 'MARKER' receiver	1	-	40/10
10D/9702192	. RECEIVER, 'GLIDE SLOPE' type 6404M (Pre Mod 5251)	1	-	40/13
W10458-ED- B ISS 5	. RECEIVER, 'GLIDE SLOPE', type 6404ME (Mod 5251)	1	-	
10D/9704803	. RECEIVER, V.H.F. type 6401M	1	-	40/11
10D/9702193	. RECEIVER, 'MARKER', type 6403M	1	-	40/9
10W0135710	. RESISTOR, 33 ohms, pattern R02-B (SAS 4745)	3	-	
10L/9702196	. UNIT, control, type 7430M	1	-	40/3
10D/9702194	. UNIT, navigation, type 6402MA	1	-	40/15

R
R

RADIO AND RADAR

V.O.R./I.L.S. INSTALLATION (ARI.23118)

Part Number	Description	No. Off	Mati. Spec.	Plate No.
-	V.O.R./I.L.S. IN FRONT FUSELAGE, ASSEMBLY (EG7.82.409) (Pre-Mod.5466)	-	-	40/1
-	V.O.R./I.L.S. IN FRONT FUSELAGE, ASSEMBLY (EG7.82.5231) (Mod.5466)	-	-	
	Spares for:-			
EG7.82.1433	. CONNECTOR, V.O.R./I.L.S. 1, from inter-connection Junction box to radio fuse and relay box and V.O.R./I.L.S. indicator RL-7003-184B	1	-	40/18
EG7.82.1435	. CONNECTOR, V.O.R./I.L.S. 2, from radio fuse and relay box and inter-connection junction box to G.4B master indicator C.L. type E	1	-	40/19
EG7.82.1437	. CONNECTOR, V.O.R./I.L.S. 3, from radio fuse and relay box to navigator's radio magnetic indicator	1	-	40/20
EG7.82.1439	. CONNECTOR, V.O.R./I.L.S. 4, from radio fuse and relay box to pilot's radio magnetic indicator	1	-	40/17
EG7.82.1441	. CONNECTOR, V.O.R./I.L.S. 5, from inter-connection junction box to navigation control unit type 7430-M and V.O.R./I.L.S. voice range selector switch panel (Pre-Mod.5466)	1	-	40/4
EG7.82.5513	. CONNECTOR, V.O.R./I.L.S.5 (Mod.5466)	1	-	
CS5411/12	. CONNECTOR (Mod.4926) (Pre-Mod.5466)	1	-	40/6
EG7.82.5515	. CONNECTOR, V.O.R./I.L.S.6 (Mod.5466)	1	-	
EG7.82.1445	. CONNECTOR, V.O.R./I.L.S.7, from marker inter-connection junction box to UA.6043/7 junction box (Pre-Mod.5466)	1	-	40/5
EG7.82.1447	. CONNECTOR, V.O.R./I.L.S.8, from marker inter-connection junction box to pilot's flying panel	1	-	40/16
EG7.82.1449	. CONNECTOR, V.O.R./I.L.S.9, from inter-connection junction box to pressure bulkhead	1	-	40/21
EG7.82.1451	. CONNECTOR, V.O.R./I.L.S.10, from marker junction box to pressure bulkhead	1	-	40/23
EG7.82.1453	. CONNECTOR, V.O.R./I.L.S.11, from inter-connection junction box to pressure bulkhead	1	-	40/22
10W/0135473	. RESISTOR, style R030, 200 ohms	1	-	
10W/0128476	. RESISTOR, style R030, 240 ohms	1	-	
10W/0135483	. RESISTOR, style R030, 510 ohms	2	-	
-	. TRAY, MOUNTING, V.O.R./I.L.S. INSTALLATION (EG7.82.387)	-	-	40/24
	Spares for:-			
	. . . TRAY, MOUNTING, V.O.R./I.L.S. TO PLATFORM, ASSEMBLY (EG7.82.389)	-	-	40/26
	Consisting of:-			
EG7.82.391	. . . PLATFORM, MOUNTING, ASSEMBLY	1	-	40/31
	Consisting of:-			
EG7.82.367 MEMBER, channel, assembly	2	L72	40/32

RADIO AND RADAR
V.O.R./I.L.S. INSTALLATION (ARI.23118)

Ref. No.	Part No.	Description	No. off	Matl. Spec.	Cl. of Equip. M.R. L.M.	Fig. and Index	
							1
R	10D/4309262	E.G7.82.371 E.G7.82.375 ELLIOT EMT/21C	MEMBER, channel, assembly	1	L72	—	40/29
			MEMBER, channel, assembly	1	L72	—	40/33
			TRAY, mounting, type M35	1	—	B	40/25
R	28D/1011029	A.25/1E	Attaching parts for EMT/21C:—				
	28W/9419405	SP.15/E	Bolt, 1/4" BSF hex. head	4	—	C	40/28
	10D/4309263	ELLIOT EMT/21B	Washer, 1/4" BSF plain	4	—	C	40/27
			TRAY, mounting, type M.36	1	—	B	40/30
			Attaching parts for EMT/21B:—				
	28D/1011029	A.25/1E	Bolt, 1/4" BSF hex. head	4	—	C	40/28
	28W/9419405	SP.15/E	Washer, 1/4" BSF plain	4	—	C	40/27

RADIO AND RADAR
V.O.R./I.L.S. INSTALLATION (ARI.23118)

Ref. No.	Part No.	Description							No. off	Matl. Spec.	Cl. of Equip. M.R. L.M.	Fig. and Index
		1	2	3	4	5	6	7				
	—	V.O.R./I.L.S. IN CENTRE FUSELAGE,							—	—	—	41/22
		ASSEMBLY (E.G7.82.411)										
		Spares for:—										
10HB/9557208	E.G7.82.896	CONNECTOR, I.L.S.11A, from pressure bulkhead to .							1	—	B	41/20
		frame 29 bulkhead										
10HB/9557211	E.G7.82.899	CONNECTOR, I.L.S.10A, from pressure bulkhead to .							1	—	B	41/21
		marker aerial, starboard wing										
10HB/9557227	E.G7.82.900	CONNECTOR, I.L.S.9A, from pressure bulkhead to ..							1	—	B	41/19
		starboard wing root										

V.O.R./I.L.S. INSTALLATION (ARI.23118)

Ref. No.	Part No.	Description	No. off	Mati. Spec.	Cl. of Equip. M.R. L.M.	Fig. and Index
	-	V.O.R./I.L.S. IN REAR FUSELAGE, AND TAIL UNIT, ASSEMBLY (E.G7.82.413)	-	-	-	41/17
	-	Spares for:- AERIALS, V.O.R./I.L.S. IN FIN, INSTALLATION (E.G7.82.707)	-	-	-	41/27
	-	Consisting of:- AERIAL, "localiser"	2	-	A	41/25
108/9570378	140/LRU/A99A	Attaching parts for 140/LRU/A99A:- Bolt: 10 UNF c'sk head	12	-	C	41/26
28DU/9480272	A173/4D	Bolt: 10 UNF c'sk head	8	-	C	41/24
28DU/9480273	A173/5D	EXTRUSION, section, P.V.C.	QR	-	C	41/18
26DK/4716	NAT. PLASTICS X.114	FAIRLEAD, assembly	1	-	C	41/31
42984	E.G7.82.809	Attaching parts for E.G7.82.809:- Bolt: 4 BA hex. head	4	-	C	41/30
28D/1008149	A25/2B	UNIT, balance	1	-	C	41/29
R 10AD/1078789	133/LRU/14A	Attaching parts for 133/LRU/14A:- Bolt: 4 BA hex. head	4	-	C	41/28
28D/1010658	A25/1B	CONNECTOR, I.L.S.11B, from frame 29 bulkhead plug to balance unit	1	-	B	41/23
10HB/9557209	E.G7.82.896	CONNECTOR, I.L.S.11C, from balance unit to localiser aerial	2	-	B	41/32
10HB/9557210	E.G7.82.897					

RADIO AND RADAR
 SYLVANIA COMMS JAMMER (ARI.23362)

Part Number	Description 1 2 3 4 5 6	No. Off	Matl. Spec.	Plate No.
-	GA OF SYLVANIA COMMS JAMMER (ARI.23362) (EG7.82.5245) (Mod.5466) Spares for:-	-	-	45/1
57125	. ADAPTER	1	-	
UG578U	. ADAPTER, straight	1	-	45/2
02-1278104-1	. AMPLIFIER, RF Power Spares for:-	1	-	45/3
R EBO13509	. . TRAY	1	-	45/3A
F1-30	. ATTENUATOR	1	-	45/4
F1-60	. ATTENUATOR	1	-	45/5
02-1279600-1	. CONTROLLER	1	-	45/6
02-1278108-1	. EXCITER Spares for:-	1	-	45/7
404-50L-1DPX2-1	. . TRAY Attaching parts for 02-1278108-1:-	1	-	45/8
A25/4C	. Bolt, 2 BA	16	-	45/9
AS3360E6E	. LEAD, bonding Attaching parts:-	1	-	45/10
A25/2E	. Bolt, 1/4" 8SF	1	-	45/11
SP122/E	. Washer	1	-	45/12
02-1278109-1	. PROCESSOR	1	-	45/13
R 02-1278105-1	. RECEIVER 1 AND 2 Spares for:-	RF	-	45/14
R SR2020-4	. . RECEIVER	2	-	45/14A
R PS2020-4	. . UNIT, power supply	1	-	45/14B
ZFSC2-1W	. SPLITTER	1	-	45/15
D2123Q1-OS	. SWITCH 2	1	-	45/16

RADIO AND RADAR

SYLVANIA COMMS JAMMER (ARI.23362)

Part Number	Description	No. Off	Matl. Spec.	Plate No.
-	GA OF SYLVANIA COMMS JAMMER IN FRONT FUSELAGE (EG7.82.5247) (Mod 5466) Spares for:-	-	-	
EG7.82.5467	. CABLE, assembly, SCJ1	1	-	
EG7.82.5555	. CABLE, assembly, SCJ2	1	-	
EG7.82.5559	. CABLE, assembly, SCJ1	1	-	

RADIO AND RADAR

SYLVANIA COMMS JAMMER (ARI.23362)

Part Number	Description	No. Off	Mati. Spec.	Plate No.
R -	GA OF SYLVANIA COMMS JAMMER IN CENTRE FUSELAGE (EG7.82.5249) (Mod 5466) Spares for:—	-	-	46/1
R 72541-025-0	. BLOCK, terminal Attaching parts:—	2	-	46/2
R 36765-502-0	. Pillar, fixing	2	-	46/3
R EG7.82.5865	. BRACKET (Make from EEDX90) Attaching parts:—	1	-	46/5
R A25/2C	. Bolt, 2 BA	2	-	46/6
R AGS2001/C/1-66	. Nut, 2 BA	2	-	46/7
R SP124/D	. Washer	2	-	46/8
R EG7.82.5557	. CABLE, assembly, SCJ2A	1	-	
R EG7.82.5549	. CABLE, assembly, SCJ8	1	-	
R EG7.82.5551	. CABLE, assembly, SCJ9	1	-	
R EG7.82.5553	. CABLE, assembly, SCJ10	1	-	
R EG7.82.5615	. CABLE, assembly, SCJ11	1	-	
R EG7.82.5491	. CABLE, assembly, SCJ12	1	-	
R EG7.82.5283	. CABLE, assembly, SCJ13	1	-	
R EG7.82.5493	. CABLE, assembly, SCJ15	1	-	
R EG7.82.5495	. CABLE, assembly, SCJ16	1	-	
R EG7.82.5499	. CABLE, assembly, SCJ18	1	-	
R EG7.82.5501	. CABLE, assembly, SCJ19	1	-	
R EG7.82.5503	. CABLE, assembly, SCJ20	1	-	
R EG7.82.5561	. CABLE, assembly, SCJ21A	1	-	
R EG7.82.5617	. CABLE, assembly, SCJ22	1	-	
R EG7.82.5621	. CABLE, assembly, SCJ24	1	-	
R EG7.82.5619	. CABLE, assembly, SCJ23	1	-	
R AGS2080/12	. CLIP, "P" Attaching parts:—	1	-	46/9
R A25/1C	. Bolt, 2 BA	1	-	46/10
R AGS2001/C/1-66	. Nut, 2 BA	1	-	46/11
R SP124/D	. Washer	1	-	46/12
R 41851-025-0	. COVER	2	-	46/13
R -	. EQUIPMENT FRAME ASSEMBLY (EG7.82.5077) (Mod 5466) Spares for:—	-	-	46/14
R EG7.82.5109	. . . ANGLE	1	1.2mm-L164	46/15
R EG7.82.5110	. . . ANGLE	1	1.2mm-L164	46/16
R EG7.11.5239	. . . CHANNEL, assembly Spares for:—	2	-	46/17
R EG7.11.199 BLOCK	4	-	46/18
R EG7.11.198 BLOCK, bearing	2	L65	46/19
R EG7.11.197 BLOCK, bearing	2	L65	46/20

RADIO AND RADAR

SYLVANIA COMMS JAMMER (ARI.23362)

Part Number	1 2 3 4 5 6	Description	No. Off	Mtl. Spec.	Plate No.
R	EG7.11.189	. . . BRACKET, 18 SWG	1	L73	46/21
R	EG7.11.191	. . . BRACKET, 18 SWG	1	L73	46/22
R	EG7.11.981	. . . CHANNEL, assembly Spares for:—	1	—	46/23
R	EG7.11.187	. . . CHANNEL, 18 SWG	1	L73	46/24
R	EG7.11.193	. . . PIN	2	—	46/25
R	EG7.11.201	. . . PIN, locating Attaching parts:—	1	—	46/26
R	AGS2001/E/1-66	. . . Nut, stiff, 1/4"	1	—	46/27
R	SP13/E	. . . Washer	1	—	46/28
R	EG7.11.195	. . . ROLLER Attaching parts for EG7.11.5239:—	2	—	46/29
R	A25/1C	. . Bolt, 2 BA	4	—	46/30
R	AGS2001/C/1-66	. . Nut, stiff, 2 BA	4	—	46/31
R	SP122/D	. . Washer	4	—	46/32
R	EG7.82.5889	. . LABEL	1	—	46/33
R	EG7.82.5081	. . PACKING, (LFS21 x 1/8" thick) Attaching parts:—	1	—	46/34
R	AS1242/2C	. . Bolt, 2 BA, c'sk head	4	—	46/35
R	AGS2001/C/1-66	. . Nut, stiff, 2 BA	4	—	46/36
R	SP122/D	. . Washer	4	—	46/37
R	EG7.82.5079	. . TRAY	1	1.2mm-L164	46/38
R	77522-315-0	. LINK, 5-way	1	—	
R	77522-314-0	. LINK, 4-way	1	—	
R	AGS2007/B/1	. NUT, anchor, 4 BA	4	—	46/39
R		. EARTH POINT, E16 Consisting of:—			
R	A54/C	. NUT, 2 BA, thin	2	—	46/40
R	AGS2001/C/4	. NUT, stiff, 2 BA	1	—	46/41
R	A43/C40	. SCREW, 2 BA, cheese head	1	—	46/42
R	SP124/D	. WASHER	2	—	46/43
R	SP25/C	. WASHER	2	—	46/44
R	—	. INSTALLATION, PORT WING ROOT FAIRLEAD (EG7.11.5201) (Mod 5466) Spares for:—	—	—	47/1
R	EG7.82.5305	. . FAIRLEAD, half Attaching parts:—	2	—	47/2
R	A25/3C	. . Bolt, 2 BA	2	—	47/3
R	AGS2002/C/1	. . Nut, stiff, 2 BA	2	—	47/4
R	SP13/C	. . Washer	2	—	47/5

RADIO AND RADAR

SYLVANIA COMMS JAMMER (ARI.23362)

Part Number	Description	No. Off	Matl. Spec.	Plate No.	
					1
R -	. INSTALLATION, STARBOARD WING ROOT DOUBLER AND FAIRLEAD (EG7.11.5203) (Mod 5466). Applicable to aircraft WD955 only. Spares for:—	—	—	47/6	
R EG7.81.5199	. . FAIRLEAD, half Attaching parts:—	2	—	47/7	
R A25/3C	. . Bolt, 2 BA	2	—	47/8	
R AGS2001/C/1-66	. . Nut, stiff, 2 BA	2	—	47/9	
R SP13/C	. . Washer	2	—	47/10	
R EG7.11.5241	. . PLATE, doubling, 14 SWG	1	L165	47/11	
R -	. INSTALLATION, BOMB DOOR TRACK BRACKET (EG7.11.5207) (Mod 5466) Spares for:—	—	—	47/12	
R EG7.11.5209	. . BRACKET	1	1.6mm-L164	47/13	
R AGS2081/12	. . CLIP, "P" Attaching parts:—	1	—	47/14	
R A25/2C	. . Bolt, 2 BA	1	—	47/15	
R AGS2001/C/1-66	. . Nut, stiff, 2 BA	1	—	47/16	
R SP13/C	. . Washer	2	—	47/17	
R -	. INSTALLATION OF EQUIPMENT STRUCTURE, PACK BAY FORWARD (EG7.11.5113) (Mod 5466) Spares for:—	—	—	48/1	
R A25/2E	. . BOLT, 1/4" BSF	2	—	48/2	
R -	. . INSTALLATION of RF Exciter equipment mounting structure, pack bay (EG7.11.5031) Spares for:—	—	—	48/3	
R EG7.11.5077	. . . CHANNEL, mounting (Drilled) Spares for:—	1	—	48/4	
R EG7.11.5081 CHANNEL, mounting (Blank)	1	1.6mm-L164	48/5	
R EG7.11.5079	. . . CHANNEL, mounting (Drilled) Spares for:—	1	—	48/6	
R EG7.11.5081 CHANNEL, mounting (Blank)	1	1.6mm-L164	48/7	
R AGS2007/C/1	. . . NUT, anchor, 2 BA	16	—	48/8	
R AGS2007/E/1	. . . NUT, anchor, 1/4" BSF	1	—	48/9	
R EG7.11.5149	. . . PACKING	2	1.6mm-L164	48/10	
R AS4574/1	. . . PACKING	4	—	48/11	

RADIO AND RADAR

SYLVANIA COMMS JAMMER (ARI.23362)

Part Number	1 2 3 4 5 6	Description	No. Off	Mati. Spec.	Plate No.
R	-	INSTALLATION of power supply receiver structure (EG7.11.5039) (Mod 5466) Spares for:-	-	-	49/1
R	A25/3C	BOLT, 2 BA	12	-	49/2
R	A25/2E	BOLT, 1/4" BSF	1	-	49/3
R	A25/11C	BOLT, 2 BA	4	-	49/4
R	A25/2C	BOLT, 2 BA	8	-	49/5
R	EG7.11.5109	BRACKET	1	1.6mm-S515	49/6
R	EG7.82.5023	FRAME, assembly Spares for:-	1	-	49/7
R	EG7.82.5125	BRACKET	2	1mm-S515	49/8
R	EG7.82.5127	BRACKET	1	1mm-S515	49/9
R	EG7.82.5128	BRACKET	1	1mm-S515	49/10
R	EG7.82.5771	BRACKET	2	1mm-S515	49/11
R	EG7.82.5131	BRACKET	1	1mm-S515	49/12
R	EG7.82.5132	BRACKET	1	1mm-S515	49/13
R	EG7.82.5795	BRACKET	2	1mm-S515	49/14
R	EG7.82.5019	FRAME, sub-assembly Spares for:-	1	-	49/15
R	JS-FTA-1020	TAPE	QR	-	
R	AS8653/D	NUT, captive	12	-	49/16
R	3098-005-000	PIN, guide Attaching parts:-	6	-	49/17
R	NAS1100-08-5	Screw	4	-	49/18
R	SP47/X	Washer	4	-	49/19
R	AGS2007/C/1	NUT, anchor, 2 BA	8	-	49/20
R	AGS2007/E/1	NUT, anchor, 1/4" BSF	1	-	49/21
R	AGS2001/C/1-66	NUT, stiff, 2 BA	16	-	49/22
R	AGS2001/E/1-66	NUT, stiff, 1/4" BSF	1	-	49/23
R	EG7.11.5099	PACKER	2	1.2mm-L164	49/24
R	EG7.11.5313	PACKER	2	1.2mm-L164	49/25
R	AS2807-5-084	SPACER	4	-	49/26
R	SP122/D	WASHER	16	-	49/27
R	SP122/E	WASHER	2	-	49/28
R	-	INSTALLATION of processor mounting equipment structure (EG7.11.5027) (Mod 5466) Spares for:-	-	-	50/1
R	EG7.11.587	ANGLE, 18 SWG	1	L73	50/2
R	EG7.11.588	ANGLE, 18 SWG	1	L73	50/3
R	A59/2C	BOLT, 2 BA	2	-	50/4
R	AS1242/3C	BOLT, 2 BA, c'sk head	1	-	50/5

RADIO AND RADAR

SYLVANIA COMMS JAMMER (ARI.23362)

Part Number	Description	No. Off	Matl. Spec.	Plate No.
R EG7.11.589	. . . BRACKET, 18 SWG	1	L73	50/6
R EG7.11.583	. . . CHANNEL, 18 SWG	1	L73	50/7
R	. . . EARTH STRAP (Supplied with processor) Attaching parts:—			
R A25/2C	. . . Bolt, 2 BA	1	—	50/8
R SP15/C	. . . Washer	1	—	50/9
R AGS2001/C/1-66	. . . NUT, stiff, 2 BA	3	—	50/10
R EG7.11.5033	. . . PACKING	1	1.6mm-L164	50/11
R A415	. . . PIN, pip	1	—	50/12
R EG7.11.591	. . . PLATE, 18 SWG	1	L73	50/13
R EG7.11.585	. . . STRIP, 18 SWG	1	L73	50/14
R SP122/D	. . . WASHER	3	—	50/15
R EG7.82.5889	. . . LABEL	1	—	48/12
R EG7.82.5887	. . . LABEL	1	—	48/13
R EG7.82.5881	. . . LABEL	1	—	48/14
R EG7.82.5883	. . . LABEL	1	—	48/15
R EG7.82.5879	. . . LABEL	1	—	48/16
R AGS2097E9E	. . . LEAD, bonding	1	—	48/17
R AGS2097E12E	. . . LEAD, bonding	1	—	48/18
R AGS2097E18E	. . . LEAD, bonding	1	—	48/19
R 21FAC420	. . . NUT, stiff, 1/4", 20 UNC	4	—	48/20
R SP122/E	. . . WASHER, 1/4" BSF	2	—	48/21
R —	. . . INSTALLATION of ARI.23562 power amplifier and mounting in pack bay (EG7.82.5013) (Mod 5466) Spares for:—	—	—	51/1
R EG7.82.5053	. . . CHANNEL, assembly, LH	1	—	51/2
R EG7.82.5054	. . . CHANNEL, assembly, RH Spares for:—	1	—	51/3
R EG7.82.5051	. . . ANGLE, L.H.	1	1.2mm-L165	51/4
R EG7.82.5052	. . . ANGLE, R.H.	1	1.2mm-L165	51/5
R EG7.82.5057	. . . ANGLE, L.H.	1	1.2mm-L165	51/6
R EG7.82.5058	. . . ANGLE, R.H.	1	1.2mm-L165	51/7
R EG7.82.5059	. . . BLOCK, bearing, 0.38" thick	4	L65	51/8
R EG7.82.5061	. . . BLOCK, 0.312" thick	4	L65	51/9
R EG7.82.5055	. . . CHANNEL, L.H.	1	1.6mm-L165	51/10
R EG7.82.5056	. . . CHANNEL, R.H.	1	1.6mm-L165	51/11
R EG7.82.5063	. . . CLEAT	1	1.6mm-L165	51/12
R EG7.82.5065	. . . CLEAT	1	1.6mm-L165	51/13
R EG7.11.193	. . . PIN	2	—	51/14
R EG7.11.201	. . . PIN, locating Attaching parts:—	1	—	51/15
R AGS2001/E/1/66	. . . Nut, 1/4" BSF	1	—	51/16
R SP122/E	. . . Washer	1	—	51/17
R EG7.11.195	. . . ROLLER	2	—	51/18

RADIO AND RADAR

SYLVANIA COMMS JAMMER (AR1.23362)

Part Number	Description	No. Off	Matl. Spec.	Plate No.
R	Attaching parts for EG7.82.5053 and EG7.82.5054:—			
R	A25/2E . . . Bolt, 1/4" BSF	8	—	51/19
R	AGS2001/E/1/66 . . . Nut, stiff, 1/4" BSF	8	—	51/20
R	SP122/E . . . Washer	8	—	51/21
R	EG7.82.5885 . . . LABEL	1	—	51/22
R	CSP48E25H25 . . . LEAD, bonding	2	—	51/23
R	A25/2E . . . Bolt, 1/4" BSF	1	—	51/24
R	SP122/E . . . Washer	1	—	51/25
R	AGS2007/E/1 . . . NUT, anchor	2	—	51/26
R	A415 . . . PIN, pip	2	—	51/27
R	EEAS21A/6HR . . . PLATE, radius	QR	—	51/28
R	— . . . INSTALLATION of data-bus junction box (EG7.82.5333) (Mod 5466) Spares for:—	—	—	52/1
R	EG7.82.5779 . . . ANGLE, mounting	1	—	52/2
R	A25/18E . . . Bolt, 1/4" BSF	1	—	52/3
R	A25/18C . . . Bolt, 2 BA	1	—	52/4
R	A25/19C . . . Bolt, 2 BA	1	—	52/5
R	SP15/C . . . Washer	2	—	52/6
R	SP15/E . . . Washer	1	—	52/7
R	EG7.82.5781 . . . ANGLE, mounting	1	—	52/8
R	A25/18E . . . Bolt, 1/4" BSF	1	—	52/9
R	A25/18C . . . Bolt, 2 BA	1	—	52/10
R	A25/19C . . . Bolt, 2 BA	1	—	52/11
R	SP15/C . . . Washer	2	—	52/12
R	SP15/E . . . Washer	1	—	52/13
R	EG7.82.5335 . . . BOX, junction, assembly	1	—	52/14
R	72544-030-0 . . . BLOCK, terminal	6	—	52/15
R	A31/B24 . . . Screw, 4 BA, cheese head	2	—	52/16
R	SP122/C . . . Washer	2	—	52/17
R	EG7.82.5347 . . . COVER, JB	1	—	52/18
R	RTV-116-19 ADHESIVE	QR	—	
R	or MA509 ADHESIVE			

SYLVANIA COMMS JAMMER (ARI.23362)

Part Number	Description	No. Off	Matl. Spec.	Plate No.
R EG7.82.5349 COVER, JB, engraved	1	--	52/19
R 641-0032 GASKET	QR	--	52/20
or				
R 25-1374-0007 GASKET			
	Attaching parts for EG7.82.5347:--			
R EEAS117/1 Screw	8	--	52/21
R EEAS42 Washer, leather	8	--	52/22
R EEAS28/2CU Washer	16	--	52/23
R EARTH POINT	7	--	
	Consisting of:--			
R AGS2001/C/4 NUT, stiff, 2 BA	1	--	52/24
R A54/C NUT, thin, 2 BA	2	--	52/25
R A43/C32 SCREW, 2 BA, cheese head	1	--	52/26
R SP25/C WASHER	2	--	52/27
R SP124/D WASHER	2	--	52/28
R EE11/2 EXTRUSION	QR	--	52/29
R CSP48D18K18 LEAD, bonding	1	--	52/30
	Attaching parts:--			
R A25/3C Bolt, 2 BA	1	--	52/31
R AGS2001/C/1-66 Nut, 2 BA	1	--	52/32
R SP25/C Washer	1	--	52/33
R SP15/C Washer	1	--	52/34
R EEAS551/20 PLATE, ident.	6	--	52/35
R RR0722-9012 SHELL, jam nut connector	6	--	52/36
R EG7.82.5337 SHELL, box, assembly	1	--	52/37
	Spares for:--			
R EG7.82.5785 ANGLE	1	--	52/38
R EG7.82.5783 ANGLE	1	--	52/39
R A25/1C BOLT, 2 BA	4	--	52/40
R EG7.82.5345 BRACKET, mounting, assembly	2	--	52/41
	Spares for:--			
R EG7.82.5897 BRACKET, mounting	1	--	52/42
R AGS2007/B/1 NUT, anchor, 4 BA	6	--	52/43
R EEAS269 NUT, side, anchor	8	--	52/44
R AGS2007/C/1 NUT, anchor, 2 BA	8	--	52/45
R AGS2001/C/1-66 NUT, 2 BA	4	--	52/46
R EEAS15/37/70JR PLATE, packing	8	--	52/47
R PANG483AA RETAINER	8	--	52/48
R EG7.82.5339 SHELL	1	--	52/49
R SP122/D WASHER	4	--	52/50
R EG7.82.5465 WIRING DIAGRAM, ARI.23362 JB	1	--	
	Attaching parts for EG7.82.5335:--			
R A25/1C	. . . Bolt, 2 BA	8	--	52/51
R SP15C	. . . Washer	8	--	52/52

RADIO AND RADAR

SYLVANIA COMMS JAMMER (ARI.23362)

Part Number	Description	No. Off	Mtl. Spec.	Plate No.
R -	. INSTALLATION, R.F. FILTER (EG7.82.5311) (Mod 5466) Spares for:-	-	-	53/1
R EG7.11.5215	. . BRACKET	1	1.6mm-L164	53/2
R EG7.11.5217	. . BRACKET	1	1.6mm-L164	53/3
R EG7.11.5213	. . CHANNEL	1	1.6mm-L164	53/4
R (S)HPL-158-160- 15-150-34A-34A	. . FILTER, RF	1	-	53/5
R 21FAC-420	. . NUT, stiff, 1/4", 20 UNC	6	-	53/6
R SP122/E	. . WASHER	6	-	53/7
R -	. INSTALLATION of Attenuator splitter box and SW2 (EG7.82.5685) (Mod 5466) Spares for:-	-	-	53/8
R LN29911-03X28	. . BOLT, pan head	4	-	53/9
R AS3180/11C	. . CLAMP, loop Attaching parts:-	2	-	53/10
R EG7.82.5713	. . Block, packing	1	-	53/11
R A25/6C	. . Bolt, 2 BA	1	-	53/12
R AS1242/4C	. . Bolt, 2 BA, c'sk head	1	-	53/13
R EEAS237/6A	. . Washer "D"	1	-	53/14
R EG7.82.5711	. . MEMBER, "Z" assembly Spares for:-	1	-	53/15
R EG7.82.5709	. . . MEMBER, "Z"	1	1.2mm-L73	53/16
R AGS2007/B/1	. . . NUT, anchor, 4 BA	1	-	53/17
R AGS2018/B/1	. . . NUT, anchor, 4 BA	2	-	53/18
R EG7.82.5717	. . MEMBER, "Z" assembly Spares for:-	1	-	53/19
R EG7.82.5715	. . . MEMBER, "Z"	1	1.2mm-L73	53/20
R AGS2007/B/1	. . . NUT, anchor, 4 BA	1	-	53/21
R AGS2018/B/1	. . . NUT, anchor, 4 BA	2	-	53/22
R EG7.82.5707	. . PLATE, mounting, assembly Spares for:-	1	-	53/23
R AGS2007/C/1	. . . NUT, anchor, 2 BA	4	-	53/24
R LN29691A03M	. . . NUT, anchor	4	-	53/25
R EG7.82.5793	. . . PACKING	1	-	53/26
R EG7.82.5705	. . . PLATE, mounting Attaching parts for EG7.82.5707:-	1	1.2mm-L73	53/27
R A25/1B	. . Bolt, 4 BA	6	-	53/28

RADIO AND RADAR

SYLVANIA COMMS JAMMER (ARI.23362)

Part Number	Description	No. Off	Matl. Spec.	Plate No.
R -	. PROCESSOR assembly (EG7.82.5637) (Mod 5466) Spares for:—	—	—	53/29
R EG7.82.5083	. . ANGLE	1	1.6mm-L164	53/30
R EG7.82.5085	. . ANGLE	1	1.6mm-L164	53/31
R 02-1278109-1	. . PROCESSOR (Called up on EG7.82.5245) Attaching parts:—	—	—	53/32
R A25/1C	. . Bolt, 2 BA	4	—	53/33
R AGS2001/C/1	. . Nut, stiff, 2 BA	4	—	53/34
R SP15/C	. . Washer	4	—	53/35
R -	. PLUG, BREAK in starboard wing root (EG7.81.4057) (Mod 5466) Spares for:—	—	—	53/36
R EG7.81.4059	. . FAIRLEAD, half Attaching parts:—	2	BS2572 TYPE F3	53/37
R A25/3C	. . Bolt, 2 BA	2	—	53/38
R AGS2002/C/1	. . Nut, 2 BA	2	—	53/39
R SP13/C	. . Washer	2	—	53/40
R EG7.81.4061	. . PLATE, doubling	1	—	53/41

RADIO AND RADAR

SYLVANIA COMMS JAMMER (ARI.23362)

Part Number	Description	No. Off	Matl. Spec.	Plate No.
R -	GA OF SYLVANIA COMMS JAMMER IN WINGS (EG7.82.5251/2) (Mod 5466) Spares for:-	-	-	54/1
R EG7.82.5497	. CABLE, assembly, SCJ 17, port	1	-	54/2
R EG7.82.5281	. CABLE, assembly, SCJ 14, starboard	1	-	54/3
R -	. INSTALLATION of Sylvania aerial (EG7.20.1301/2) (Mod 5466) Spares for:-	-	-	54/4
R 27-1278102-1	. . AERIAL, port and starboard Attaching parts:-	1	-	54/5
R CSP124-3-13	. . Bolt, 10 UNF	22	-	54/6
R 6930A-AN313A	. . Gasket	1	-	54/7
R -	. . ALTS to lower wing skin, port and starboard (EG7.20.1303/4) (Mod 5466) Spares for:-	-	-	55/1
R EA3.20.4185	. . . DOUBLER, port	1	-	55/2
R EA3.20.4186	. . . DOUBLER, starboard	1	-	55/3
R EG7.20.1305	. . . INSERT, port, 18 SWG	1	L165	55/4
R EG7.20.1306	. . . INSERT, starboard, 18 SWG	1	L165	55/5
R AGS2012/C/1	. . . NUT, anchor, 2 BA	6	-	55/6
R EG7.20.1607	. . . PACKER	1	-	55/7
R EA3.20.4109	. . . PANEL Attaching parts:-	1	-	55/8
R EEAS8/1A	. . . Packing	6	-	55/9
R EEAS1/1C	. . . Screw, 2 BA, c'sk head	6	-	55/10
R EEAS72/1	. . . PACKING, wedge	14	-	55/11
R EG7.20.1309	. . . PLATE, port, 18 SWG	1	L165	55/12
R EG7.20.1310	. . . PLATE, starboard, 18 SWG	1	L165	55/13
R EG7.20.1311	. . . PLATE, port, 18 SWG	1	L165	55/14
R EG7.20.1312	. . . PLATE, starboard, 18 SWG	1	L165	55/15
R EG7.20.1315	. . . PLATE, port, 18 SWG	1	L165	55/16
R EG7.20.1316	. . . PLATE, starboard, 18 SWG	1	L165	55/17
R EG7.20.1317	. . . PLATE, port, 18 SWG	1	L165	55/18
R EG7.20.1318	. . . PLATE, starboard, 18 SWG	1	L165	55/19
R EG7.20.1313	. . . STRAP, butt, port, 18 SWG	1	L165	55/20
R EG7.20.1314	. . . STRAP, butt, starboard, 18 SWG	1	L165	55/21
R EG7.20.1307	. . . STRAP, butt, port, 18 SWG	1	L165	55/22
R EG7.20.1308	. . . STRAP, butt, starboard, 18 SWG	1	L165	55/23
R EG7.20.1319	. . . STRINGER, port	1	EEDX33	55/24
R EG7.20.1320	. . . STRINGER, starboard	1	EEDX33	55/25
R EG7.20.1327	. . . STRINGER, port	1	EEDX33	55/26
R EG7.20.1328	. . . STRINGER, starboard	1	EEDX33	55/27

RADIO AND RADAR

SYLVANIA COMMS JAMMER (ARI.23362)

Part Number	Description	No. Off	Mtl. Spec.	Plate No.
R EG7.20.1329 STRINGER, port	1	EEDX33	55/28
R EG7.20.1330 STRINGER, starboard	1	EEDX33	55/29
R EG7.20.1331 STRINGER, port	1	EEDX33	55/30
R EG7.20.1332 STRINGER, starboard	1	EEDX33	55/31
R EG7.20.1333 STRINGER, port	1	EEDX33	55/32
R EG7.20.1334 STRINGER, starboard	1	EEDX33	55/33
R EG7.20.1335 STRINGER, port	1	EEDX33	55/34
R EG7.20.1336 STRINGER, starboard	1	EEDX33	55/35
R EG7.20.1337 STRINGER, port	1	EEDX33	55/36
R EG7.20.1338 STRINGER, starboard	1	EEDX33	55/37
R EG7.20.1339 STRINGER, port	1	EEDX33	55/38
R EG7.20.1340 STRINGER, starboard	1	EEDX33	55/39
R EA3.20.999 STRINGER	3	-	55/40
R EG7.20.1325	. . . PLATE, sole, port	1	L65	54/8
R EG7.20.1326	. . . PLATE, sole, starboard	1	L65	54/9
R -	. . . STRUCTURE, aerial mounting port (EG7.20.1379) (Mod 5466) Spares for:--	-	-	56/1
R EG7.20.1343 ANGLE, assembly Spares for:--	1	-	56/2
R EG7.20.1361 ANGLE	1	1.6mm-L164	56/3
R AS26007/D NUT, anchor, 10 UNF	11	-	56/4
R EG7.20.1321 PLATE, throat	1	L65	56/5
R EG7.20.1344 ANGLE, assembly Spares for:--	1	-	56/6
R EG7.20.1362 ANGLE	1	1.6mm-L164	56/7
R AS26007/D NUT, anchor, 10 UNF	11	-	56/8
R EG7.20.1322 PLATE, throat	1	L65	56/9
R EG7.20.1347 ANGLE	1	1.6mm-L164	56/10
R EG7.20.1349 ANGLE	1	1.6mm-L164	56/11
R EG7.20.1357 ANGLE	1	1.6mm-L164	56/12
R EG7.20.1359 ANGLE	1	1.6mm-L164	56/13
R EG7.20.1367 ANGLE	1	1.6mm-L164	56/14
R EG7.20.1369 ANGLE	1	1.6mm-L164	56/15
R EG7.20.1371 ANGLE	1	1.6mm-L164	56/16
R EG7.20.1377 ANGLE	1	1.6mm-L164	56/17
R EG7.20.1383 ANGLE	1	1.6mm-L164	56/18
R EG7.20.1385 ANGLE	1	1.6mm-L164	56/19
R EG7.20.1391 ANGLE	1	1.6mm-L164	56/20
R EG7.20.1393 ANGLE	1	1.6mm-L164	56/21
R EG7.20.1397 ANGLE	1	1.6mm-L164	56/22
R EG7.20.1399 ANGLE	1	1.6mm-L164	56/23
R EG7.20.1489 ANGLE	1	-	56/24
R EG7.20.1491 ANGLE	1	-	56/25
R EG7.20.1493 ANGLE	1	-	56/26
R EG7.20.1495 ANGLE	1	-	56/27

RADIO AND RADAR

SYLVANIA COMMS JAMMER (ARI.23362)

Part Number	Description						No. Off	Matl. Spec.	Plate No.
	1	2	3	4	5	6			
R EG7.20.1355	PACKING	1	1.6mm-L164	56/28
R -	REPAIR, rib 3B (EG7.20.1387) port (Mod 5466) Spares for:-	-	-	57/1
R EG7.20.1443	ANGLE 16 SWG	1	L164	57/2
R EG7.20.1445	ANGLE 16 SWG	1	L164	57/3
R EG7.20.1447	ANGLE 16 SWG	1	L164	57/4
R EG7.20.1449	ANGLE 16 SWG	1	L164	57/5
R EG7.20.1451	ANGLE 16 SWG	1	L164	57/6
R EG7.20.1453	ANGLE 16 SWG	1	L164	57/7
R EG7.20.1455	ANGLE 16 SWG	1	L164	57/8
R EG7.20.1457	ANGLE 16 SWG	1	L164	57/9
R EG7.20.1459	ANGLE 16 SWG	1	L164	57/10
R EG7.20.1461	ANGLE 16 SWG	1	L164	57/11
R EG7.20.1463	ANGLE 16 SWG	1	L164	57/12
R EG7.20.1465	ANGLE 16 SWG	1	L164	57/13
R EG7.20.1467	ANGLE 16 SWG	1	L164	57/14
R EG7.20.1469	ANGLE 16 SWG	1	L164	57/15
R EG7.20.1471	ANGLE 16 SWG	1	L164	57/16
R EG7.20.1483	ANGLE 16 SWG	1	L164	57/17
R EG7.20.1473	CLEAT	1	1.6mm-L164	57/18
R EG7.20.1474	CLEAT	2	1.6mm-L164	57/19
R EG7.20.1475	CLEAT	2	1.6mm-L164	57/20
R EG7.20.1476	CLEAT	2	1.6mm-L164	57/21
R EG7.20.1477	CLEAT	2	1.6mm-L164	57/22
R EG7.20.1478	CLEAT	2	1.6mm-L164	57/23
R EG7.20.1479	CLEAT	1	1.6mm-L164	57/24
R EG7.20.1481	CLEAT	3	1.6mm-L164	57/25
R EG7.20.1482	CLEAT	1	1.6mm-L164	57/26
R EG7.20.1485	PACKING	1	-	57/27
R EG7.20.1487	PACKING	1	-	57/28
R -	REPAIR, rib 4A (EG7.20.1409) port (EG7.20.1409) Spares for:-	-	-	58/1
R EG7.20.1411	ANGLE 16 SWG	1	L164	58/2
R EG7.20.1413	ANGLE 16 SWG	1	L164	58/3
R EG7.20.1415	ANGLE 16 SWG	1	L164	58/4
R EG7.20.1417	ANGLE 16 SWG	1	L164	58/5
R EG7.20.1419	ANGLE 16 SWG	1	L164	58/6
R EG7.20.1421	ANGLE 16 SWG	1	L164	58/7
R EG7.20.1423	ANGLE 16 SWG	1	L164	58/8
R EG7.20.1425	ANGLE 16 SWG	1	L164	58/9
R EG7.20.1427	ANGLE 16 SWG	1	L164	58/10
R EG7.20.1429	ANGLE 16 SWG	1	L164	58/11
R EG7.20.1431	ANGLE 16 SWG	1	L164	58/12
R EG7.20.1433	ANGLE 16 SWG	1	L164	58/13
R EG7.20.1435	ANGLE 16 SWG	1	L164	58/14
R EG7.20.1437	ANGLE 16 SWG	1	L164	58/15

RADIO AND RADAR

SYLVANIA COMMS JAMMER (ARI.23362)

Part Number	Description						No. Off	Mati. Spec.	Plate No.
	1	2	3	4	5	6			
R	EG7.20.1439	ANGLE 16 SWG	1	L164	58/16
R	EG7.20.1441	ANGLE 16 SWG	1	L164	58/17
R	EG7.20.1473	CLEAT	1	1.6mm-L164	58/18
R	EG7.20.1474	CLEAT	2	1.6mm-L164	58/19
R	EG7.20.1475	CLEAT	2	1.6mm-L164	58/20
R	EG7.20.1476	CLEAT	2	1.6mm-L164	58/21
R	EG7.20.1477	CLEAT	2	1.6mm-L164	58/22
R	EG7.20.1478	CLEAT	2	1.6mm-L164	58/23
R	EG7.20.1479	CLEAT	2	1.6mm-L164	58/24
R	EG7.20.1481	CLEAT	1	1.6mm-L164	58/25
R	EG7.20.1482	CLEAT	2	1.6mm-L164	58/26
R	EG7.20.1487	PACKING	1	1.2mm-L165	58/27
R	EG7.20.1373	STIFFENER	1	EEJ59	56/29
R	EG7.20.1375	STIFFENER	1	EEJ59	56/30
R	EG7.20.1403	STIFFENER	1	EEJ59	56/31
R	EG7.20.1405	STIFFENER	1	EEJ59	56/32
R	EG7.20.1345	WEB	1	1.2mm-L164	56/33
R	EG7.20.1365	WEB	1	1.2mm-L164	56/34
R	EG7.20.1381	WEB	1	1.2mm-L164	56/35
R	EG7.20.1389	WEB	1	1.2mm-L164	56/36
R	-	STRUCTURE, aerial mounting, starboard (EG7.20.1380) (Mod 5466) Spares for:-	-	-	59/1
R	EG7.20.1343	ANGLE, assembly Spares for:-	1	-	59/2
R	EG7.20.1361	ANGLE	1	1.6mm-L164	59/3
R	AS26007/D	NUT, anchor, 10 UNF	11	-	59/4
R	EG7.20.1321	PLATE, throat	1	L65	59/5
R	EG7.20.1344	ANGLE, assembly Spares for:-	1	-	59/6
R	EG7.20.1362	ANGLE	1	1.6mm-L164	59/7
R	AS26007/D	NUT, anchor, 10 UNF	11	-	59/8
R	EG7.20.1322	PLATE, throat	1	L65	59/9
R	EG7.20.1348	ANGLE	1	1.6mm-L164	59/10
R	EG7.20.1349	ANGLE	1	1.6mm-L164	59/11
R	EG7.20.1358	ANGLE	1	1.6mm-L164	59/12
R	EG7.20.1360	ANGLE	1	1.6mm-L164	59/13
R	EG7.20.1367	ANGLE	1	1.6mm-L164	59/14
R	EG7.20.1370	ANGLE	1	1.6mm-L164	59/15
R	EG7.20.1378	ANGLE	1	1.6mm-L164	59/16
R	EG7.20.1384	ANGLE	1	1.6mm-L164	59/17
R	EG7.20.1386	ANGLE	1	1.6mm-L164	59/18
R	EG7.20.1372	ANGLE	1	1.6mm-L164	59/19
R	EG7.20.1392	ANGLE	1	1.6mm-L164	59/20
R	EG7.20.1394	ANGLE	1	1.6mm-L164	59/21
R	EG7.20.1490	ANGLE	1	-	59/22
R	EG7.20.1492	ANGLE	1	-	59/23

RADIO AND RADAR

SYLVANIA COMMS JAMMER (ARI.23362)

Part Number	Description						No. Off	Matl. Spec.	Plate No.
	1	2	3	4	5	6			
R EG7.20.1494	ANGLE		1	-	59/24
R EG7.20.1496	ANGLE		1	-	59/25
R EG7.20.1355	PACKING		1	1.6mm-L164	59/26
R EG7.20.1401	PACKING		1	1.6mm-L164	59/27
R -	REPAIR, rib 3B, starboard (EG7.20.1388) (Mod 5466) Spares for:-		-	-	60/1
R EG7.20.1444	ANGLE 16 SWG		1	L164	60/2
R EG7.20.1446	ANGLE 16 SWG		1	L164	60/3
R EG7.20.1448	ANGLE 16 SWG		1	L164	60/4
R EG7.20.1450	ANGLE 16 SWG		1	L164	60/5
R EG7.20.1452	ANGLE 16 SWG		1	L164	60/6
R EG7.20.1454	ANGLE 16 SWG		1	L164	60/7
R EG7.20.1456	ANGLE 16 SWG		1	L164	60/8
R EG7.20.1458	ANGLE 16 SWG		1	L164	60/9
R EG7.20.1460	ANGLE 16 SWG		1	L164	60/10
R EG7.20.1462	ANGLE 16 SWG		1	L164	60/11
R EG7.20.1464	ANGLE 16 SWG		1	L164	60/12
R EG7.20.1466	ANGLE 16 SWG		1	L164	60/13
R EG7.20.1468	ANGLE 16 SWG		1	L164	60/14
R EG7.20.1470	ANGLE 16 SWG		1	L164	60/15
R EG7.20.1472	ANGLE 16 SWG		1	L164	60/16
R EG7.20.1484	ANGLE 16 SWG		1	L164	60/17
R EG7.20.1473	CLEAT		2	1.6mm-L164	60/18
R EG7.20.1474	CLEAT		1	1.6mm-L164	60/19
R EG7.20.1475	CLEAT		2	1.6mm-L164	60/20
R EG7.20.1476	CLEAT		2	1.6mm-L164	60/21
R EG7.20.1477	CLEAT		2	1.6mm-L164	60/22
R EG7.20.1478	CLEAT		2	1.6mm-L164	60/23
R EG7.20.1480	CLEAT		1	1.6mm-L164	60/24
R EG7.20.1481	CLEAT		1	1.6mm-L164	60/25
R EG7.20.1482	CLEAT		3	1.6mm-L164	60/26
R EG7.20.1485	PACKING		1	1.2mm-L165	60/27
R EG7.20.1487	PACKING		1	1.2mm-L165	60/28
R -	REPAIR, rib 4A, starboard (EG7.20.1410) (Mod 5466) Spares for:-		-	-	61/1
R EG7.20.1412	ANGLE 16 SWG		1	L164	61/2
R EG7.20.1414	ANGLE 16 SWG		1	L164	61/3
R EG7.20.1416	ANGLE 16 SWG		1	L164	61/4
R EG7.20.1418	ANGLE 16 SWG		1	L164	61/5
R EG7.20.1420	ANGLE 16 SWG		1	L164	61/6
R EG7.20.1422	ANGLE 16 SWG		1	L164	61/7
R EG7.20.1424	ANGLE 16 SWG		1	L164	61/8
R EG7.20.1426	ANGLE 16 SWG		1	L164	61/9
R EG7.20.1428	ANGLE 16 SWG		1	L164	61/10
R EG7.20.1430	ANGLE 16 SWG		1	L164	61/11
R EG7.20.1432	ANGLE 16 SWG		1	L164	61/12

RADIO AND RADAR

SYLVANIA COMMS JAMMER (ARI.23362)

Part Number	Description					No. Off	Matl. Spec.	Plate No.
	1	2	3	4	5 6			
R	EG7.20.1434	ANGLE	16 SWG		1	L164	61/13
R	EG7.20.1436	ANGLE	16 SWG		1	L164	61/14
R	EG7.20.1438	ANGLE	16 SWG		1	L164	61/15
R	EG7.20.1440	ANGLE	16 SWG		1	L164	61/16
R	EG7.20.1442	ANGLE	16 SWG		1	L164	61/17
R	EG7.20.1473	CLEAT			2	1.6mm-L164	61/18
R	EG7.20.1474	CLEAT			1	1.6mm-L164	61/19
R	EG7.20.1475	CLEAT			2	1.6mm-L164	61/20
R	EG7.20.1476	CLEAT			2	1.6mm-L164	61/21
R	EG7.20.1477	CLEAT			2	1.6mm-L164	61/22
R	EG7.20.1478	CLEAT			2	1.6mm-L164	61/23
R	EG7.20.1480	CLEAT			2	1.6mm-L164	61/24
R	EG7.20.1481	CLEAT			2	1.6mm-L164	61/25
R	EG7.20.1482	CLEAT			1	1.6mm-L164	61/26
R	EG7.20.1487	PACKING			1	1.2mm-L165	61/27
R	EG7.20.1374	STIFFENER			1	EEJ59	59/28
R	EG7.20.1376	STIFFENER			1	EEJ59	59/29
R	EG7.20.1404	STIFFENER			1	EEJ59	59/30
R	EG7.20.1406	STIFFENER			1	EEJ59	59/31
R	EG7.20.1346	WEB			1	1.2mm-L164	59/32
R	EG7.20.1366	WEB			1	1.2mm-L164	59/33
R	EG7.20.1382	WEB			1	1.2mm-L164	59/34
R	EG7.20.1390	WEB			1	1.2mm-L164	59/35
R	-	INSTALLATION of aerial feeder cables, port (EG7.82.5285) (Mod 5466) Spares for:-			-	-	62/1
R	EG7.20.5107	BRACKET	18 SWG		1	L164	62/2
R	EG7.20.5101	BRACKET	18 SWG		11	L164	62/3
R	AGS2081/6	CLIP, pipe			12	-	62/4
R	A25/2C	Attaching parts:-					
R	AGS2001/C/1-66	Boit, 2 BA			1	-	62/5
R	SP13/C	Nut, stiff, 2 BA			1	-	62/6
R	-	Washer			1	-	62/7
R	-	CONDUIT, over jet pipe, port installation (EG7.20.5103) (Mod 5466) Spares for:-			-	-	62/8
R	EG7.20.5111	BRACKET	16 SWG		2	L163	62/9
R	EG7.20.5113	BRACKET, assembly			1	-	62/10
R	EG7.20.5115	BRACKET	16 SWG		1	L163	62/11
R	AGS2007/C/1	NUT, anchor, 2 BA			1	-	62/12
R	AGS2101/21	CLIP, pipe			1	-	62/13
R	A25/2C	Attaching parts:-					
R	SP13/C	Bolt, 2 BA			1	-	62/14
R	-	Washer			1	-	62/15

RADIO AND RADAR

SYLVANIA COMMS JAMMER (ARI.23362)

Part Number	Description	No. Off	Matl. Spec.	Plate No.
R EC2.20.2553	. . . CLIP, pipe Attaching parts:—	2	—	62/16
R A25/1C	. . . Bolt, 2 BA	2	—	62/17
R AGS2001/C/1-66	. . . Nut, stiff, 2 BA	2	—	62/18
R SP13/C	. . . Washer	2	—	62/19
R SP91/L	. . . CLIP, hose	4	—	62/20
R EC2.20.2537	. . . CONDUIT, 2.5" O/D 20 SWG	1	L54	62/21
R EC2.20.3077	. . . CONDUIT, 2.5" O/D 20 SWG	1	L54	62/22
R EC2.20.2539	. . . END-CONDUIT 2.5" O/D 20 SWG	1	L54	62/23
R EG7.20.5117	. . . PACKER 12 SWG	2	L164	62/24
R EG7.20.5119	. . . PLATE, doubling 16 SWG	2	L164	62/25
R EC2.20.2549	. . . SLEEVE, 2.5" O/D 20 SWG	2	L54	62/26
R —	. . . MOD to main spar web aerial access hole, port (EG7.20.5105) (Mod 5466) Spares for:—	—	—	62/27
R EG7.82.5303	. . . FAIRLEAD, half Attaching parts:—	2	BS.2572 TYPE F3	62/28
R A25/4C	. . . Bolt, 2 BA	2	—	62/29
R SP13/C	. . . Washer	2	—	62/30
R EG7.20.1605	. . . PLATE, doubling, assembly Spares for:—	1	—	62/31
R AGS2007/C/1 NUT, anchor, 2 BA	4	—	62/32
R EG7.20.5109 PLATE	1	2mm-L164	62/33
R —	. . . INSTALLATION of aerial feeder cables, starboard (EG7.82.5286) (Mod 5466) Spares for:—	—	—	63/1
R EG7.20.5107	. . . BRACKET 18 SWG	1	L164	63/2
R EG7.20.5101	. . . BRACKET 18 SWG	11	L164	63/3
R AGS2081/12	. . . CLIP, pipe Attaching parts:—	12	—	63/4
R A25/2C	. . . Bolt, 2 BA	1	—	63/5
R AGS2001/C/1-66	. . . Nut, stiff, 2 BA	1	—	63/6
R SP13/C	. . . Washer	1	—	63/7
R —	. . . CONDUIT, over jet pipe, starboard installation (EG7.20.5104) (Mod 5466) Spares for:—	—	—	63/8
R EG7.20.5111	. . . BRACKET 16 SWG	2	L163	63/9
R EG7.20.5113	. . . BRACKET, assembly Spares for:—	1	—	63/10
R EG7.20.5115 BRACKET 16 SWG	1	L163	63/11
R AGS2007/C/1 NUT, anchor, 2 BA	1	—	63/12

RADIO AND RADAR

SYLVANIA COMMS JAMMER (ARI.23362)

Part Number	Description	No. Off	Mtl. Spec.	Plate No.
R AGS2101/21	. . . CLIP, pipe Attaching parts:—	1	—	63/13
R A25/2C	. . . Bolt, 2 BA	1	—	63/14
R SP13/C	. . . Washer	1	—	63/15
R EC2.20.2553	. . . CLIP, pipe Attaching parts:—	2	—	63/16
R A25/1C	. . . Bolt, 2 BA	2	—	63/17
R AGS2001/C/1-66	. . . Nut, stiff, 2 BA	2	—	63/18
R SP13/C	. . . Washer	2	—	63/19
R SP91/L	. . . CLIP, hose	4	—	63/20
R EC2.20.2537	. . . CONDUIT, 2.5" O/D 20 SWG	1	L54	63/21
R EC2.20.3077	. . . CONDUIT, 2.5" O/D 20 SWG	1	L54	63/22
R EC2.20.2539	. . . END-CONDUIT, 2.5" O/D 20 SWG	1	L54	63/23
R EG7.20.5117	. . . PACKER 12 SWG	2	L164	63/24
R EG7.20.5119	. . . PLATE, doubling 16 SWG	2	L164	63/25
R EC2.20.2549	. . . SLEEVE, 2.5" O/D 20 SWG	2	L54	63/26
R —	. . . MOD to main spar web aerial access hole, starboard (EG7.20.5106) (Mod 5466) Spares for:—	—	—	63/27
R EG7.82.5301	. . . FAIRLEAD, half Attaching parts:—	2	BS.2572 TYPE F3	63/28
R A25/4C	. . . Bolt, 2 BA	2	—	63/29
R SP13/C	. . . Washer	2	—	63/30
R EG7.20.1605	. . . PLATE, doubling, assembly Spares for:—	1	—	63/31
R AGS2007/C/1	. . . NUT, anchor, 2 BA	4	—	63/32
R EG7.20.5109	. . . PLATE	1	2mm-L164	63/33

OMEGA NAVIGATION SYSTEM

Part Number	Description	No. Off	Matl. Spec.	Plate No.
R -	GA OF OMEGA NAVIGATION SYSTEM (EG7.82.5985) (Mod.5466) Spares for:--	-	-	64/1
R 6-714AM042S	. AERIAL, "OMEGA"	1	-	64/2
R 64-55800	. INVERTER, F146E Attaching parts:--	1	-	84/7
R PAN3009-05-010	. Bolt, hex. head	2	-	84/8
R LN9025-0510L	. Washer	2	-	84/9
R -	. PICTORIAL VIEW OF OMEGA INVERTER/ CONTROL BOX/CONDUIT (EG7.82.6017) Spares for:--	-	-	-
R AS3180-3B	. . CLAMP Attaching parts:--	2	-	64/3
R A25-1B	. . Bolt, 4 BA, hex. head	1	-	64/9
R AGS2001/B/1	. . Nut, stiff, 4 BA	1	-	64/10
R EEAS238-1A	. . Washer, "D"	QR	-	64/11
R AS3180-4B	. . CLAMP Attaching parts:--	2	-	64/12
R A25-1B	. . Bolt, 4 BA, hex. head	1	-	64/13
R AGS2001/B/1	. . Nut, stiff, 4 BA	1	-	64/14
R EEAS238-1A	. . Washer, "D"	QR	-	64/15
D8350	. THERMOMETER	1	-	64/4
457348-03	. TRAY, RPU Mounting	1	-	64/5
D60071	. UNIT, Airspeed	1	-	64/6
458100	. UNIT, Control	1	-	64/7
R 457300-04-12- 211-08-96	. UNIT, Receiver, processor	1	-	64/8

OMEGA NAVIGATION SYSTEM

Part Number	Description	No. Off	Matl. Spec.	Plate No.
				1 2 3 4 5 6
R -	GA OF OMEGA NAVIGATION SYSTEM IN FRONT FUSELAGE (EG7.82.5987) (Mod.5466) Spares for:-	-	-	65/1
R -	. BOX, inverter control assembly, installation (EG7.82.5961) Spares for:-	-	-	-
R EG7.82.5949	. . . BOX, inverter control assembly Spares for:-	1	-	83/1
R CML25289 BOX, die cast assembly	1	-	83/2
R 72541-025-0 BLOCK, terminal, 5-way Spares for:-	1	-	83/3
R 41851-825-0 COVER, T.B.	1	-	83/4
R EEAS550-5 PLATE, ident.	1	-	83/5
R CXH3MM SLEEVE, pink, 3/8" lens Attaching parts for 7254-025-0:-	QR	-	†
R AGS2001/B/1 Nut, stiff, 4 BA	2	-	83/6
R 36765-502-0 Pillar, fixing	2	-	83/7
R SP15/B Washer, 4 BA	2	-	83/8
R EG7.82.5955 BRACKET, assembly Spares for:-	2	-	83/9
R EG7.82.5953 BRACKET	1	EEJ-71	83/10
R AGS2007/B/1 NUT, anchor, 4 BA	2	-	83/11
R PAN6553 CONTACTOR 25 amp Attaching parts for PAN6553:-	1	-	83/12
R AS1248-1B Bolt, 4 BA, mushroom hd.	4	-	83/13
R Z23672 GROMMET	1	-	83/14
R EG7.82.5947 PLATE, base, 1.6 mm thick	1	L156	83/15
R EG7.82.5945 PLATE, mounting assembly Spares for:-	1	-	83/16
R 142-60999-011 CAPACITOR (3900 μ F)	2	-	83/17
R 543-018 CLIP, retaining Attaching parts for 543-018:-	3	-	83/18
R AGS2001/B/1 Nut, stiff, 4 BA	2	-	83/19
R A33/B12 Screw, 4 BA, c'sk hd.	2	-	83/20
R SP15/B Washer, 4 BA	2	-	83/21
R AGS2007/C/1 NUT, anchor, 2 BA	2	-	83/22
R AGS2019/C/1 NUT, anchor, 2 BA	1	-	83/23
R EG7.82.5943 PLATE, mounting, 2.0 mm thick Attaching parts for EG7.82.5943:-	1	L165	83/24
R AS1248-2C Bolt, 2 BA, mushroom hd.	3	-	83/25
R G198-1-1-7-19 SLEEVE	QR	-	†
R G198-1-1-11-19 SLEEVE	QR	-	†
R 36162-503-0 SPACER	2	-	†

OMEGA NAVIGATION SYSTEM

Part Number	1 2 3 4 5 6	Description	No. Off	Mati. Spec.	Plate No.
R	HC294	. . . TAG, R.T.	4	-	†
R	HC314A	. . . TERMINATION, R.T.	6	-	†
R	PAN6461-29	. . . TERMINATION, R.T.	8	-	†
R	PAN6461-69	. . . TERMINATION, R.T.	6	-	†
R	PAN6423AP030	. . . WIRE, elect.	QR	-	†
R	PAN6423AP006	. . . WIRE, elect.	QR	-	†
		Attaching parts for EG7.82.5949:-			
R	A25-1C	. . Bolt, 2 BA, hex. hd	4	-	83/26
R	AGS2007/C/1	. . Nut, anchor, 2 BA	4	-	83/27
R	EG7.82.5473	. CABLE, assembly, ONS 1 Spares for:-	1	-	65/2
R	LMS-12	. . CABLE	1	-	65/3
R	EG7.82.5935	. CABLE, assembly, ONS 4	1	-	†
R	EG7.82.5939	. CABLE, assembly, ONS 5	1	-	†
R	EG7.82.5937	. CABLE, assembly, ONS 6	1	-	†
R	EG7.82.5941	. CABLE, assembly, ONS 7	1	-	†
R	EG7.82.5963	. CABLE, assembly, ONS 8	1	-	†
R	-	. EARTH POINT E26 Consisting of:-	-	-	
R	AGS2001/C/4	. . NUT, stiff, 2 BA	1	-	65/4
R	A54C	. . NUT, thin, 2 BA	2	-	65/5
R	A43/C40	. . SCREW, 2 BA, cheese hd	1	-	65/6
R	SP25/C	. . WASHER	2	-	65/7
R	SP124/D	. . WASHER	2	-	65/8
R	-	. INSTALLATION of total head thermometer (EG7.10.5033) Spares for:-	-	-	65/9
R	EG7.10.5035	. . PLATE, doubler Spares for:-	1	-	65/10
R	AGS2023/C/1	. . . NUT, anchor, 2 BA	4	-	65/11
R	D8350	. . THERMOMETER Attaching parts:-	1	-	65/12
R	AS1246-2C	. . Bolt, 8-32 UNC, pan hd	4	-	65/13
R	EG7.10.5037	. . Seal, rubber	1	-	65/14
R	-	. INSTALLATION, inverter mounting bracket (EG7.10.5247) Spares for:-	-	-	84/1
R	EG7.10.5263	. . PACKING, 4 mm x 1.0" x 4.2"	2	L164	84/2
R	EG7.10.5265	. . PACKING, fwd, 3 mm thick	1	L164	84/3
R	EG7.10.5266	. . PACKING, aft, 3 mm thick	1	L164	84/4
R	AS2811-5-093	. . SPACER	3	-	84/5
R	AS2811-5-087	. . SPACER	3	-	84/6

OMEGA NAVIGATION SYSTEM

Part Number	Description	No. Off	Matl. Spec.	Plate No.
R EG7.10.5249	. . . TRAY, mounting assembly Spares for:--	1	-	84/10
R EG7.10.5253	. . . ANGLE, fwd, 1.6 mm thick	1	L165	84/11
R EG7.10.5254	. . . ANGLE, aft, 1.6 mm thick	1	L165	84/12
R EG7.10.5255	. . . ANGLE, bulb, 7.7" lens	1	EEDX68	84/13
R EG7.10.5257	. . . CHANNEL	1	-	84/14
R EG7.10.5259	. . . CLEAT, fwd, 1.2 mm thick	1	L165	84/15
R EG7.10.5260	. . . CLEAT, aft, 1.2 mm thick	1	L165	84/16
R LN29982A05	. . . NUT, anchor	2	-	84/17
R EG7.10.5251	. . . PLATE, 1.6 mm thick	1	L165	84/18
R EG7.10.5261	. . . STRIP, 3 mm x 0.9" x 8.15" Attaching parts for EG7.10.5249:--	1	L165	84/19
R A25-13C	. . . Bolt, 2 BA, hex. hd	2	-	84/20
R A25-12C	. . . Bolt, 2 BA, hex. hd	4	-	84/21
R AGS2001C1-66	. . . Nut, stiff, 2 BA	6	-	84/22
R SP122/D or SP125/D	. . . Washer, 2 BA	6	-	84/23
R -	. . . ALTERATIONS TO OMEGA SUPPLIES (EG7.82.5973) (Mod.5466)	-	-	-
R -	. . . INSTALLATION of conduit assembly (EG7.82.5977) Spares for:--	-	-	84/24
R AS4525-12	. . . CLAMP Attaching parts for AS4525-12:--	2	-	84/25
R A25-2C	. . . Bolt, 2 BA, hex. hd	1	-	84/26
R AGS2001C1-66	. . . Nut, stiff, 2 BA	1	-	84/27
R EEAS237-7AH	. . . Washer, "D"	1	-	84/28
R SP47/C	. . . Washer	1	-	84/29
R EG7.82.5979	. . . CONDUIT, assembly, 18 mm O/D x 0.8 mm wall thickness	1	BACM123	84/30

OMEGA NAVIGATION SYSTEM

Part Number	Description	No. Off	Matl. Spec.	Plate No.	
					1
-	GA OF OMEGA NAVIGATION SYSTEM IN CENTRE FUSELAGE (EG7.82.5989) (Mod 5466) Spares for:-	-	-	66/1	
-	. ALTS to floor, frame 27 to 29 for Omega navigation system (EG7.11.5245) Spares for:-	-	-	66/2	
EG7.11.5247	. . PLATE 18 SWG	1	L72	66/3	
PAN6483/A	. . RETAINER, cable	4	-	66/4	
A25/1C	. BOLT, 2 BA	2	-	66/5	
EG7.82.5475	. CABLE, assembly, ONS 2	1	-	66/6	
-	. EARTH POINT E29, E31 and E38 Consisting of:-	-	-		
AGS2001/C/4	. . NUT, stiff, 2 BA	1	-	66/7	
A54/C	. . NUT, thin, 2 BA	2	-	66/8	
A43/C40	. . SCREW, 2 BA, cheese head	1	-	66/9	
SP25/C	. . WASHER	2	-	66/10	
SP124/D	. . WASHER	2	-	66/11	
EG7.82.5697	. FAIRLEAD Attaching parts:-	2	LFS21	66/12	
A25/3B	. Bolt, 4 BA	4	-	66/13	
AGS2001/B/1	. Nut, stiff, 4 BA	4	-	66/14	
-	. INSTALLATION of receiver processor unit mounting structure (EG7.82.5005) Spares for:-	-	-	66/15	
EG7.82.5037	. . CHANNEL Attaching parts:-	2	1.2mm-L164	66/16	
A25/2J	. . Bolt, 3/8" BSF	2	-	66/17	
SP124/J	. . Washer	2	-	66/18	
EG7.82.5039	. . CHANNEL, assembly Spares for:-	1	-	66/19	
EG7.82.5041	. . . CHANNEL	1	1.2mm-L164	66/20	
AGS2007/C/1	. . . NUT, anchor Attaching parts for EG7.82.5039:-	2	-	66/21	
A25/1C	. . Bolt, 2 BA	8	-	66/22	
AGS2001/C/1-66	. . Nut, stiff, 2 BA	8	-	66/23	
SP124/D	. . Washer	8	-	66/24	
EG7.82.5787	. . CHANNEL, assembly Spares for:-	1	-	66/25	
EG7.82.5041	. . . CHANNEL	1	1.2mm-L164	66/26	
EE11-2	. . . EXTRUSION, 2"	QR	-	66/27	
AGS2007/C/1	. . . NUT, anchor Attaching parts for EG7.82.5787:-	2	-	66/28	
A25/1C	. . Bolt, 2 BA	8	-	66/29	
AGS2001/C/1-66	. . Nut, stiff, 2 BA	8	-	66/30	
SP124/D	. . Washer	8	-	66/31	

OMEGA NAVIGATION SYSTEM

Part Number	Description	No. Off	Matl. Spec.	Plate No.
R - INSTALLATION of Omega junction box (EG7.82.5565) Spares for:—	-	-	67/1
R EG7.82.5567 ANGLE, mounting, assembly Spares for:—	2	-	67/2
R EG7.82.5597 ANGLE	1	EEDX271	67/3
R AGS2007/C/1 NUT, anchor	1	-	67/4
R EG7.82.5569 BRACKET, mounting, assembly Spares for:—	2	-	67/5
R EG7.82.5595 BRACKET	1	EEJ225	67/6
R AGS2007/C/1 NUT, anchor	1	-	67/7
R - BOX, junction, assembly (EG7.82.5571) Spares for:—	-	-	67/8
R 72544-030-0 BLOCK, terminal Attaching parts:—	1	-	67/9
R EEAS551/20 Plate, ident	1	-	67/10
R A31/B20 Screw	2	-	67/11
R SP122/C Washer	2	-	67/12
R CZ52815 BLOCK, fuse Attaching parts:—	1	-	67/13
R A31/B8 Screw	2	-	67/14
R SP122/C Washer	2	-	67/15
R EG7.82.5573 BOX, junction, assembly Spares for:—	1	-	67/16
R EG7.82.5583 ANGLE, assembly Spares for:—	2	-	67/17
R EG7.82.5585 ANGLE 18 SWG	1	L164	67/18
R AGS2007/C/1 NUT, anchor	2	-	67/19
R EG7.82.5599 ANGLE, mounting	4	EEDX271	67/20
R EG7.82.5579 BRACKET, assembly Spares for:—	1	-	67/21
R EG7.82.5581 BRACKET 20 SWG	1	L164	67/22
R AGS2007/B/1 NUT, anchor	2	-	67/23
R EEAS269 NUT, anchor	8	-	67/24
R EEAS15/37/70JR PACKING	8	-	67/25
R EG7.82.5577 SHELL, junction box, 18 SWG	1	L59	67/26
R EG7.82.5593 CHASSIS 18 SWG Attaching parts:—	1	L164	67/27
R A31/C18 Screw, cheese head	4	-	67/28
R SP122/D Washer	4	-	67/29

OMEGA NAVIGATION SYSTEM

Part Number	1 2 3 4 5 6	Description	No. Off	Mati. Spec.	Plate No.
EG7.82.5575		COVER, assembly	1	-	67/30
		Spares for:-			
BOSTIK 1777		CEMENT	QR	-	†
EG7.82.5587		COVER, engraved, assembly	1	-	67/31
RIBBONSEAL 79		STRIP, 0.14" dia x 36"	QR	Syn rubber	67/32
		Attaching parts for EG7.82.5575:-			
EEAS117/1		Screw	8	-	67/33
EEAS42		Washer, leather, 0.05" thick	8	-	67/34
EEAS28/2CU		Washer	16	-	67/35
-		Wire, locking 20 SWG	QR	OTD189	67/36
EG7.82.5639		DIAGRAM, wiring	1	-	
-		EARTH POINT	-	-	
		Consisting of:-			
A54/C		NUT, thin	2	-	67/37
AGS2001/C/4		NUT, stiff	1	-	67/38
SP124/D		WASHER	4	-	67/39
A43/C40		SCREW	1	-	67/41
6027-12-3SN		JAM NUT, connector	1	-	67/42A
6027-12-3PN		JAM NUT, connector	1	-	67/42
6027-16-26PN		JAM NUT, connector	1	-	67/43
GES03822		RECTIFIER	1	-	67/44
		Attaching parts:-			
AGS2001/A/3		Nut, stiff	2	-	67/45
A31/A8		Screw	2	-	67/46
SP122/A		Washer	2	-	67/47
RD6528		TRANSFORMER	1	-	67/48
		Attaching parts:-			
A31/A8		Screw	4	-	67/49
SP122/A		Washer	4	-	67/50
		Attaching parts for EG7.82.5571:-			
A25/2C		Screw	4	-	67/51
SP122/D		Washer	4	-	67/52
CSP48C13J13		LEAD, bonding	1	-	66/32
AS1242/1C		SCREW, 2 BA, c'sk head	4	-	
SP15/C		WASHER	2	-	

OMEGA NAVIGATION SYSTEM

Part Number	Description	No. Off	Mtl. Spec.	Plate No.
R -	GA OF OMEGA NAVIGATION SYSTEM IN REAR FUSELAGE (EG7.82.5991) (Mod.5466) Spares for:-	-	-	68/1
R EG7.82.5933	. CABLE, assembly, ONS3 (Made from LITTON AERO Part No. 458472-03-30)	1	-	68/2
R -	. INSTALLATION of sole plate (EG7.82.6013) Spares for:-	-	-	68/3
R EG7.12.5063	. . . ANGLE, 16 SWG	1	L165	68/4
R EG7.12.5065	. . . ANGLE, assembly Spares for:-	1	-	68/5
R EG7.12.5067	. . . ANGLE, 16 SWG	1	L165	68/6
R AS8602D	. . . NUT, anchor	1	-	68/7
R EG7.12.5053	. . . CLEAT, 20 SWG	2	L165	68/8
R EG7.12.5055	. . . PACKER, assembly Spares for:-	1	-	68/9
R AS8602/D	. . . NUT, anchor	2	-	68/10
R EG7.12.5057	. . . PACKER	1	L65	68/11
R EG7.12.5056	. . . PACKER, assembly Spares for:-	1	-	68/12
R AS8602/D	. . . NUT, anchor	2	-	68/13
R EG7.12.5058	. . . PACKER	1	L65	68/14
R EG7.12.5059	. . . PACKER, assembly Spares for:-	2	-	68/15
R AS8602/D	. . . NUT, anchor	1	-	68/16
R EG7.12.5061	. . . PACKER	1	L65	68/17
R EG7.12.5051	. . . PLATE, sole	1	-	68/18
R -	. INSTALLATION of blanking plate (EG7.12.5083) Spares for:-	-	-	-
R EG7.12.5081	. . . PLATE, blanking, 12 SWG Attaching parts:-	1	L165	68/22
R A173-3D	. . . Bolt, 10-32 UNF, c'sk hd	1	-	68/23
R A173-5D	. . . Bolt, 10-32 UNF, c'sk hd	2	-	68/24
R A173-8D	. . . Bolt, 10-32 UNF, c'sk hd	4	-	68/25
R -	. INSTALLATION of Omega antenna coupler guard. (EG7.82.5359) Spares for:-	-	-	69/1
EB6.90.197	. . . BRACKET Attaching parts:-	2	-	69/2
A25/1C	. . . Bolt	4	-	69/3
AGS2001/C/1-66	. . . Nut, stiff	4	-	69/4
SP122/D	. . . Washer	4	-	69/5

OMEGA NAVIGATION SYSTEM

Part Number	Description						No. Off	Matl. Spec.	Plate No.
	1	2	3	4	5	6			
EG7.82.5601	1	-	69/6
A25/1C	4	-	69/7
AGS2001/C/1-66	4	-	69/8
SP122/D	4	-	69/9
EG7.82.5683	1	S510	69/10
A25/1C	4	-	69/11
AGS2001/C/1-66	4	-	69/12
SP122/D	4	-	69/13
EG7.82.5361	1	-	69/14
EG7.82.5363	1	1/4" Plywood	69/15
AS1242/8C	6	-	69/16
AGS2001/C/1-66	6	-	69/17
SP122/D	12	-	69/18
EB6.90.191	1	-	69/19
EB6.90.195	4	-	69/20
A25/6C	4	-	69/21
AGS2001/C/1-66	4	-	69/22
SP122/D	4	-	69/23
PAN6483/BA	11	-	68/19
PAN6483/AA	10	-	68/20
PAN6481/B1/018	QR	-	68/21

R
R
R



I/J BAND JAMMER SYSTEM

Part Number	1	2	3	4	5	6	Description	No. Off	Matl. Spec.	Plate No.
R -							GA OF I/J BAND JAMMER SYSTEM (EG7.82.5257) (Mod 5466) Spares for:-	-	-	
R -							. GA OF I/J BAND JAMMER SYSTEM IN FRONT FUSELAGE (EG7.82.5259) See page MR2	-	-	
R -							. GA OF I/J BAND JAMMER SYSTEM IN CENTRE FUSELAGE (EG7.82.5261) See page MR5	-	-	
R -							. GA OF I/J BAND JAMMER SYSTEM IN REAR FUSELAGE (EG7.82.5271) See page MR10	-	-	
R 236577-1							. UNIT. CONTROL	2	-	70/2
R 236576-1							. UNIT, MAIN	2	-	71/2

I/J BAND JAMMER SYSTEM

Part Number	Description	No. Off	Mati. Spec.	Plate No.
R -	GA OF I/J BAND JAMMER SYSTEM IN FRONT FUSELAGE (EG7.82.5259) (Mod 5466) Spares for:-	-	-	70/1
R EG7.82.5479	. CABLE, assembly, BJF1	1	-	
R EG7.82.5485	. CABLE, assembly, BJR1	1	-	
R -	. INSTALLATION of forward looking radomes and aerials (EG7.82.5031) See page MB1	-	-	
R -	. INSTALLATION of wave guides in nose (EG7.82.5011) Spares for:-	-	-	70/3
R EG7.82.2249	. . . ANGLE, attachment	1	-	70/4
R EG7.10.965	. . . BRACKET, assembly Spares for:-	2	-	70/5
R EG7.10.967 BRACKET, support	1	-	70/6
R AGS2007/C/1 NUT, anchor, 2 BA	3	-	70/7
R AGS2018/C/1 NUT, anchor, 2 BA	1	-	70/8
R EG7.82.2243	. . . BRACKET, assembly Spares for:-	1	-	70/9
R EG7.82.2245 BRACKET	1	-	70/10
R EG7.82.2247 BRACKET	1	-	70/11
R AGS2007/C/1 NUT, anchor, 2 BA Attaching parts for EG7.82.2243:-	4	-	70/12
R A25/1C	. . . Bolt, 2 BA	2	-	70/13
R SP124/D	. . . Washer	2	-	70/14
R WBUN1146-5-3W	. . . BLOCK, terminal, 3-way Attaching parts:-	1	-	70/15
R WBNY111083	. . . Cover	1	-	70/16
R WB1114-28	. . . Pillar, fixing	2	-	70/17
R EEAS550-3	. . . Plate, ident	1	-	70/18
R EG7.82.1391	. . . CLIP, wave guide Attaching parts:-	2	-	70/19
R A25/1C	. . . Bolt, 2 BA	2	-	70/20
R SP124/D	. . . Washer	2	-	70/21
R EG7.82.2015	. . . CLIP, wave guide Attaching parts:-	2	-	70/22
R A25/1C	. . . Bolt, 2 BA	3	-	70/23
R SP124/D	. . . Washer	3	-	70/24
R EG7.82.2533	. . . CLIP, bonding Attaching parts:-	2	-	70/25
R A25/2C	. . . Bolt, 2 BA	1	-	70/26
R AGS2001/C/1-66	. . . Nut, stiff, 2 BA	1	-	70/27
R SP124/D	. . . Washer	2	-	70/28

I/J BAND JAMMER SYSTEM

Part Number	Description	No. Off	Matl. Spec.	Plate No.
R EG7.82.5743	. . CLIP Attaching parts:—	2	—	70/29
R A25/5C	. . Bolt, 2 BA	2	—	70/30
R EG7.82.5745	. . Packer	2	—	70/31
R —	. . Strip (Sorbo rubber 1/8" x 1" x 3.25")	1	—	70/32
R SP124/D	. . Washer	2	—	70/33
R AS3360/C/3C	. . LEAD, bonding Attaching parts:— (2 leads together)	2	—	70/34
R A25/1C	. . Bolt, 2 BA	1	—	70/35
R SP124/D	. . Washer	2	—	70/36
R EG7.82.2697	. . LABEL	1	—	70/37
R EG7.82.2695	. . LABEL	1	—	70/38
R EG7.82.5843	. . PLATE, spreader Attaching parts:—	2	—	70/39
R A102/4C	. . Bolt, 8-32 UNC	4	—	70/40
R 5841-99-9529685	. . SWITCH, DON-LAN Attaching parts:—	2	—	70/41
R A204/C20	. . Screw, 8-32 UNC, c'sk head	3	—	70/42
R EG7.82.2821	. . Shim	1	—	70/43
R EG7.82.471	. . SHIM (Fit 2 if required)	2	—	70/44
R —	. . WAVEGUIDE TO WAVEGUIDE CONNECTION (Typical) Consisting of:—	—	—	—
R R60-1761-53	. . . BOLT, special	4	—	70/45
R 5310-99-952-3249	. . . NUT	4	—	70/46
R 5985-99-083-0053	. . . RING, sealing	2	—	70/47
R R60-1711-01	. . WAVEGUIDE, assembly	1	—	70/48
R R60-1710	. . WAVEGUIDE, assembly	1	—	70/49
R R60-1709	. . WAVEGUIDE, assembly	1	—	70/50
R R60-1708	. . WAVEGUIDE, assembly, flexible	2	—	70/51
R R60-1707	. . WAVEGUIDE, assembly	2	—	70/52
R R60-1705	. . WAVEGUIDE, assembly	1	—	70/53
R R60-1706	. . WAVEGUIDE, assembly	1	—	70/54
R R60-1711-02	. . WAVEGUIDE, assembly	1	—	70/55
R CS3764	. . WAVEGUIDE, assembly	1	—	70/56
R CS3762	. . WAVEGUIDE, assembly	1	—	70/57
R R60-7038-01	. . WAVEGUIDE, assembly	1	—	70/58
R R60-1719-54	. . WAVEGUIDE, assembly, flexible	1	—	70/59

I/J BAND JAMMER SYSTEM

Part Number	Description	No. Off	Matl. Spec.	Plate No.
R R60-1719-55	. . WAVEGUIDE, assembly, flexible	1	-	70/60
R R60-7037-01	. . WAVEGUIDE, assembly	1	-	70/61
R R60-1719-53	. . WAVEGUIDE, assembly, flexible	2	-	70/62
R CS3809/3	. . WAVEGUIDE, assembly	1	-	70/63
R CS3813	. . WAVEGUIDE, assembly	1	-	70/64
R CS4056	. . WAVEGUIDE, assembly, flexible	2	-	70/65
R -	. . WAVEGUIDE TO SWITCH CONNECTION (Typical) Consisting of:-	-	-	-
R R60-1761-52	. . . BOLT	4	-	70/66
R 5985-99-083-0053	. . . RING, sealing	1	-	70/67
R MS90064-13	. . . RING, sealing	1	-	70/68
R SP47/X	. . . WASHER, spring	4	-	70/69

I/J BAND JAMMER SYSTEM

Part Number	1 2 3 4 5 6	Description	No. Off	Matl. Spec.	Plate No.
-		GA OF I/J BAND JAMMER SYSTEM IN CENTRE FUSELAGE (EG7.82.5261) (Mod.5466) Spares for:-	-	-	71/1
EG7.82.5481		. CABLE, assembly, BJF2	1	-	
EG7.82.5487		. CABLE, assembly, BJR2	1	-	
EG7.82.5483		. CABLE, assembly, BJF3	1	-	
EG7.82.5489		. CABLE, assembly, BJR3	1	-	
R -		. GA of wave guides in pack bay (EG7.82.5029) Spares for:-	-	-	71/3
R -		. ALTS to waveguide installation in centre fuselage (EG7.82.5033) (Mod.5466) Spares for:-	-	-	85/1
R EG7.82.6023		. . . ARM, link Attaching parts:- (At upper pivot)	1	L165 x 2 mm	85/2
R A256/D0426		. . . Bolt, 1/4" UNF	1	-	85/3
R AN310-4		. . . Nut, 1/4" slotted	1	-	85/4
R SP90/B		. . . Pin, split	1	-	85/5
R EG7.82.6027		. . . Spacer	1	S130	85/6
R SP123/E		. . . Washer	QR	-	85/7
R SP126/E		. . . Washer	QR	-	85/8
R EG7.82.6019		. . . BRACKET, upper pivot	1	L65 x 1.6 mm	85/9
R EG7.82.6025		. . . CLAMP, waveguide Spares for:-	2	-	85/10
R EG7.82.6025A		. . . CLAMP	1	-	85/11
R EG7.82.6025B		. . . SPACER/PACKER Attaching parts for EG7.82.6025:-	1	L65	85/12
R A25-4C		. . . Bolt, 2 BA, hex hd	2	-	85/13
R A25-8C		. . . Bolt, 2 BA, hex hd	2	-	85/14
R SP124/D		. . . Washer	4	-	85/15
R EG7.82.6021		. . . PIVOT, guide support Spares for:-	1	-	85/16
R EG7.82.6021A		. . . CHANNEL	1	L165 x 1.6 mm	85/17
R AGS2007/C/1		. . . NUT, anchor, 2 BA Attaching parts for EG7.82.6021:-	4	-	85/18
R A256/D0426		. . . Bolt, 1/4" UNF	1	-	85/19
R AN310-4		. . . Nut, 1/4" slotted	1	-	85/20
R SP90/B		. . . Pin, split	1	-	85/21
R EG7.82.6027		. . . Spacer	1	S130	85/22
R SP123/E		. . . Washer	QR	-	85/23
R SP126/E		. . . Washer	QR	-	85/24
R AGS667/A		. . . Washer, fibre	2	-	85/25
R EG7.82.6029		. . . PACKING	QR	L164 x 1.6 mm	85/26
R EG7.82.6031		. . . PACKING	QR	L164 x 3 mm	85/27
R EG7.82.6033		. . . PACKING	QR	L164 x 1.6 mm	85/28
R EG7.82.6035		. . . PACKING	QR	L164 x 2.5 mm	85/29
R EG7.82.6037		. . . PACKING	QR	L164 x 1.6 mm	85/30
R EG7.82.6039		. . . PACKING	QR	L164 x 2.5 mm	85/31

I/J BAND JAMMER SYSTEM

Part Number	1 2 3 4 5 6	Description	No. Off	Matl. Spec.	Plate No.
EG7.82.5809	. . .	ANGLE, 16 SWG	2	L164	71/4
EG7.82.5811	. . .	ANGLE, 16 SWG	2	L164	71/5
EG7.82.5791	. . .	ANGLE, support	2	EEJ441	71/6
EG7.82.5701	. . .	BRACKET, 1.2 mm	4	L165	71/7
EG7.82.5703	. . .	BRACKET, 1.2 mm	1	L165	71/8
EG7.82.5739	. . .	BRACKET, 18 SWG	1	L164	71/9
EG7.82.5731	. . .	BRACKET, 18 SWG	1	L164	71/10
EG7.82.5737	. . .	BRACKET, 16 SWG	1	L164	71/11
		Attaching parts:—			
A25/2C	. . .	Bolt, 2 BA	4	—	71/12
SP124/D	. . .	Washer, plain	4	—	71/13
EG7.82.5747	. . .	BRACKET, 16 SWG	2	L164	71/14
EG7.82.5749	. . .	BRACKET, 16 SWG	1	L164	71/15
EG7.82.5807	. . .	BRACKET, 16 SWG	1	L164	71/16
CS5469	. . .	BLANK, pressure	4	—	71/17
		Attaching parts:—			
A102/9C	. . .	Bolt	4	—	71/18
A125C-66	. . .	Nut	4	—	71/19
SP122/C	. . .	Washer	4	—	71/20
EG7.82.5733	. . .	CLIP, 18 SWG	7	L164	71/21
		Attaching parts:—			
A25/1C	. . .	Bolt, 2 BA	1	—	71/22
A25/2C	. . .	Bolt, 2 BA	1	—	71/23
SP124/D	. . .	Washer	2	—	71/24
EG7.82.5179	. . .	CLIP, 1.2 mm	2	L164	71/28
		Attaching parts:—			
A25/1C	. . .	Bolt, 2 BA	2	—	71/29
SP124/D	. . .	Washer	2	—	71/30

I/J BAND JAMMER SYSTEM

Part Number	Description 1 2 3 4 5 6	No. Off	Mati. Spec.	Plate No.

I/J BAND JAMMER SYSTEM

Part Number	1 2 3 4 5 6	Description	No. Off	Mati. Spec.	Plate No.
EG7.82.1389		. . CLIP (at sub-frame)	2	-	71/31
		Attaching parts:-			
A25/1C		. . Bolt, 2 BA	2	-	71/32
EG7.82.5173		. . Packer	1	BS2572-LFS	71/33
SP124/D		. . Washer, plain	2	-	71/34
EG7.82.1389		. . CLIP (at frame 13)	2	-	71/35
		Attaching parts:-			
A25/1C		. . Bolt, 2 BA	1	-	71/36
A25/2C		. . Bolt, 2 BA	1	-	71/37
SP124/D		. . Washer, plain	2	-	71/38
EG7.82.2533		. . CLIP, bonding (at frame 29)	4	-	71/39
		Attaching parts:-			
A25/1C		. . Bolt, 2 BA	1	-	71/40
AGS2001/C/1-66		. . Nut, stiff, 2 BA	1	-	71/41
SP124/D		. . Washer, plain	2	-	71/42
EG7.82.2533		. . CLIP, bonding (at frame 13 to 24 and sub-frame)	34	-	71/43
		Attaching parts:-			
A25/2C		. . Bolt, 2 BA	1	-	71/44
AGS2001/C/1-66		. . Nut, stiff, 2 BA	1	-	71/45
SP124/D		. . Washer, plain	2	-	71/46
		. . EARTH POINT (2 positions on frame 29)	2	-	
		Consisting of:-			
A25/2C		. . . BOLT, 2 BA	1	-	72/1
AGS2001/C/1-66		. . . NUT, stiff, 2 BA	1	-	72/2
SP124/D		. . . WASHER, plain	1	-	72/3
		. . EARTH POINT (On frames 13, 14, 15, 17, 19, 21, 23 and on sub-frame at 5 positions)	11	-	
		Consisting of:-			
A25/1C		. . . BOLT, 2 BA	1	-	72/4
SP124/D		. . . WASHER, plain	1	-	72/5
AS3360/C/4C		. . LEAD, bonding	11	-	72/6
AS3360/C/6C		. . LEAD, bonding	16	-	72/7
EG7.82.5169		. . MEMBER, "T"	3	EEDX344	72/8
EG7.82.5171		. . MEMBER, "T"	3	EEDX344	72/9
AGS2007/C/1		. . NUT, anchor (on frame 13)	4	-	72/10
EG7.82.5181		. . PACKER	2	BS2572-LFS	72/12
EG7.82.5803		. . PACKER	6	BS2572-LFS	72/13

I/J BAND JAMMER SYSTEM

Part Number	Description						No. Off	Matl. Spec.	Plate No.
	1	2	3	4	5	6			
R	EG7.82.5813	. . .	PACKER				1	L164	72/14
R	EG7.82.5175	. . .	PLATE, stiffener			16 SWG	2	2mm-L164	72/15
R	EG7.82.5177	. . .	PLATE, stiffener				1	2mm-L164	72/16
R	SIC6316	. . .	RING, sealing				4	-	72/17
R	SIC6772	. . .	RING, sealing				30	-	72/18
R	EG7.82.5805	. . .	SPACER				2	BS2572-LFS	72/19
R	CS3807/3	. . .	WAVEGUIDE				2	-	72/20
R	CS3817	. . .	WAVEGUIDE				1	-	72/21
R	CS3816	. . .	WAVEGUIDE				1	-	72/22
R	CS4056	. . .	WAVEGUIDE				4	-	72/23
R	CS3960	. . .	WAVEGUIDE				1	-	72/24
R	CS3811/2	. . .	WAVEGUIDE				1	-	72/25
R	CS3770	. . .	WAVEGUIDE				1	-	72/26
R	CS3811/1	. . .	WAVEGUIDE				1	-	72/27
R	CS3812	. . .	WAVEGUIDE				1	-	72/28
R	CS4057	. . .	WAVEGUIDE				2	-	72/29
R	CS4055	. . .	WAVEGUIDE				2	-	72/30
R	CS3810	. . .	WAVEGUIDE				2	-	72/31
R	CS3809/1	. . .	WAVEGUIDE				1	-	72/32
R	CS3809/2	. . .	WAVEGUIDE				1	-	72/33
R	CS3808	. . .	WAVEGUIDE				2	-	72/34
R	CS3807/1	. . .	WAVEGUIDE				1	-	72/35
R	CS3807/2	. . .	WAVEGUIDE				1	-	72/36
R	-	. . .	WAVEGUIDES TO MAIN UNIT ARI.23363				-	-	
			Attaching parts:-						
R	R60-1761-52	. . .	Bolt				8	-	72/37
R	SP122/C	. . .	Washer				8	-	72/38
R	SP47/X	. . .	Washer, spring				8	-	72/39
R	-	. . .	WAVEGUIDE FLANGE TO FLANGE CONNECTION (Typical)				-	-	
			Attaching parts:-						
R	A102/3C	. . .	Bolt				4	-	72/40
R	A125/C66	. . .	Nut, self locking				4	-	72/41
R	SP122/C	. . .	Washer				8	-	72/42
R	-	. . .	INSTALLATION OF ARI.23363 main units mounting structure in pack bay, aft (EG7.82.5025)				-	-	73/1
			Spares for:-						
R	A102/5E	. . .	BOLT, 1/4" UNF				20	-	73/2
R	A25/1C	. . .	BOLT, 2 BA				4	-	73/3
R	A25/1G	. . .	BOLT, 5/16" BSF				6	-	73/4
R	EG7.82.5877	. . .	LABEL				1	-	73/5
R	EG7.82.5875	. . .	LABEL				1	-	73/6
R	AGS2007/C/1	. . .	NUT, anchor, 2 BA				4	-	73/7

I/J BAND JAMMER SYSTEM

Part Number	Description 1 2 3 4 5 6	No. Off	Matl. Spec.	Plate No.
R -	. . . STRUCTURE, equipment mounting (EG7.82.5043) Spares for:-	-	-	73/8
R EG7.11.5239	. . . CHANNEL, assembly Spares for:-	3	-	73/9
R EG7.11.199 BLOCK	4	-	73/10
R EG7.11.198 BLOCK, bearing	2	-	73/11
R EG7.11.197 BLOCK, bearing	2	-	73/12
R EG7.11.189 BRACKET	1	-	73/13
R EG7.11.191 BRACKET	1	-	73/14
R EG7.11.981 CHANNEL, assembly Spares for:-	1	-	73/15
R EG7.11.187 CHANNEL	1	-	73/16
R EG7.11.193 PIN	2	-	73/17
R EG7.11.201 PIN, locating Attaching parts:-	1	-	73/18
R AGS2001/E/1-66 Nut, stiff, 1/4" BSF	1	-	73/19
R SP13E Washer	1	-	73/20
R EG7.11.195 ROLLER Attaching parts for EG7.11.5239:-	2	-	73/21
R AS1242/3C	. . . Bolt, 2 BA, c'sk head	8	-	73/22
R AGS2001/C/1-66	. . . Nut, stiff, 2 BA	8	-	73/23
R SP122/D	. . . Washer	8	-	73/24
R EG7.82.5875	. . . LABEL	1	-	73/25
R EG7.82.5133	. . . PACKING	6	-	73/26
R EG7.82.5045	. . . PLATE	1	-	73/27
R EG7.82.5139	. . . PLATE	1	-	73/28
R -	. . . STRUCTURE, equipment, mounting (EG7.82.5044) Spares for:-	-	-	73/29
R EG7.11.5239	. . . CHANNEL, assembly Spares for:-	3	-	73/30
R EG7.11.199 BLOCK	4	-	73/31
R EG7.11.198 BLOCK, bearing	2	-	73/32
R EG7.11.197 BLOCK, bearing	2	-	73/33
R EG7.11.189 BRACKET	1	-	73/34
R EG7.11.191 BRACKET	1	-	73/35
R EG7.11.981 CHANNEL, assembly Spares for:-	1	-	73/36
R EG7.11.187 CHANNEL	1	-	73/37
R EG7.11.193 PIN	2	-	73/38
R EG7.11.201 PIN, locating Attaching parts:-	1	-	73/39
R AGS2001/E/1-66 Nut, stiff, 1/4" BSF	1	-	73/40
R SP13/E Washer	1	-	73/41

I/J BAND JAMMER SYSTEM

Part Number	Description	No. Off	Mati. Spec.	Plate No.
R EG7.11.195 ROLLER Attaching parts for EG7.11.5239:--	2	-	73/42
R AS1242/3C	. . . Bolt, 2 BA, c'sk head	8	-	73/43
R AGS2001/C/1-66	. . . Nut, stiff, 2 BA	8	-	73/44
R SP122/D	. . . Washer	8	-	73/45
R EG7.82.5877	. . . LABEL	1	-	73/46
R EG7.82.5133	. . . PACKING	6	-	73/47
R EG7.82.5046	. . . PLATE	1	-	73/48
R EG7.82.5140	. . . PLATE	1	-	73/49
R SP122/G	. . . WASHER	6	-	73/50
R SP122/E	. . . WASHER	20	-	73/51
R SP122/D	. . . WASHER	4	-	73/52

I/J BAND JAMMER SYSTEM

Part Number	1 2 3 4 5 6	Description	No.	Matl. Spec.	Plate No.
			Off		
R -		GA OF I/J BAND JAMMER SYSTEM IN REAR FUSELAGE (EG7.82.5271) (Mod 5466) Spares for:--	-	-	
R -		. AERIALS, REAR LOOKING, INSTALLATION (EG7.82.2595) (See page MC1)	-	-	
R -		. WAVEGUIDES, FROM AFT END OF BOMB BAY TO TAIL CONE ASSEMBLY (EG7.82.5695) (See page MC1)	-	-	

E S M RECEIVER ARI.23361/0

Part Number	Description	No. Off	Matl. Spec.	Plate No.
R -	GA OF ESM RECEIVER ARI.23361/0 SPECTRUM ANALYSER (EG7.82.5291) (Mod 5466) Spares for:-	-	-	74/1
R UG306AU	. ADAPTER	1	-	74/2
R or				
R G35028	. ADAPTER	1	-	
R A691/5	. AMPLIFIER	1	-	74/3
R JLA2-11110	. ANALYSER, spectrum	1	-	74/4
R SCSHQ127729A1	. ANTENNA, assembly (See page M1)	1	-	
R TEK4041	. COMPUTER, controller	1	-	74/5
R -	. CLIPPING of aerial feeder cable on bulkhead 29 (EG7.82.5929) Spares for:-	-	-	75/1
R PAN6483/AA	. . RETAINER, cable	4	-	75/2
R LKOB-HS-B	. . TIE, cable, insulok	QR	-	75/3
R 118-0070-00	. DETECTOR, audio	1	-	74/6
R -	. GA of ESM Receiver ARI.23361-0 in front fuselage (EG7.82.5253) Spares for:-	-	-	
R EG7.82.5663	. . CABLE, assembly, ESM1	1	-	
R EG7.82.5665	. . CABLE, assembly, ESM1A	1	-	
R EG7.82.5667	. . CABLE, assembly, ESM2	1	-	
R EG7.82.5671	. . CABLE, assembly, ESM3	1	-	
R EG7.82.5679	. . CABLE, assembly, ESM5	1	-	
R EG7.82.5673	. . CABLE, assembly, ESM7	1	-	
R EG7.82.5899	. . CABLE, assembly, ESM6	1	-	
R -	. . GA of Spectrum Analyser mounting in aircraft (EG7.82.3161) Spares for:-	-	-	
R - INSTALLATION of Analyser in crate (EG7.82.3163) Spares for:-	-	-	
R EG7.82.3157 CRATE, mounting/rail assembly Spares for:-	1	-	74/7
R EG7.82.3103 CRATE, assembly. Spares for:-	1	-	74/8
R EG7.82.3111 BAR, support, top	2	-	74/9
R EG7.82.3113 BAR, support	4	-	74/10
R EG7.82.3115 BOLT, retainer	2	-	74/11
R EG7.82.3107 HOUSING, quick release	2	-	74/12
R A58/ST NUT, 3/4" BSF	2	-	74/13

E S M RECEIVER ARI.23361/0

Part Number	Description						No. Off	Matl. Spec.	Plate No.
	1	2	3	4	5	6			
R EG7.82.3121	SIDEPLATE, port	1	-	74/14
						Attaching parts:-			
R A27/ES	Nut, 1/4" BSF, slotted	6	-	74/15
R SP90/C8	Pin, split	6	-	74/16
R SP124/E	Washer	6	-	74/17
R EG7.82.3123	SIDEPLATE, stbd.	1	-	74/18
						Attaching parts:-			
R A27/ES	Nut, 1/4" BSF, slotted	6	-	74/19
R SP90/C8	Pin, split	6	-	74/20
R SP124/E	Washer	6	-	74/21
R EG7.82.3109	SPIGOT, fixed	2	-	74/22
R SP124/S	WASHER	2	-	74/23
R SP125/E	WASHER (if required)	2	-	74/24
R EG7.82.3155	RAIL, male	2	-	74/25
						Attaching parts:-			
R AS1242/11E	Bolt, 1/4" BSF, c'sk head	3	-	74/26
R A27/ES	Nut, 1/4" BSF, slotted	3	-	74/27
R SP90/C8	Pin, split	3	-	74/28
R SP125/E	Washer	3	-	74/29
R PR1422	SEALANT	QR	-	
R -	GA of ESM Receiver, ARI.23361-0 in centre fuselage (EG7.82.5255) Spares for:-	-	-	
R EG7.82.5669	CABLE, assembly, ESM2A	1	-	
R EG7.82.5845	GUARD, aerial, footstep assembly Spares for:-	1	-	75/4
R EG7.82.5837	ANGLE	1	-	75/5
R EG7.82.5838	ANGLE	1	-	75/6
R EG7.82.5829	LEG, assembly	2	-	75/7
R EG7.82.5823	MEMBER, fore/aft assembly	2	-	75/8
R EG7.82.5833	MEMBER, support assembly	2	-	75/9
R EG7.82.5819	MEMBER, cross assembly Attaching parts:-	2	-	75/10
R A25/1C	Bolt, 2 BA	2	-	75/11
R SP124/D	Washer, plain	2	-	75/12
R EG7.82.5817	MEMBER, cross Attaching parts:-	1	-	75/13
R A25/1C	Bolt, 2 BA	2	-	75/14
R SP124/D	Washer, plain	2	-	75/15

E S M RECEIVER ARI.23361/0

Part Number	Description	No. Off	Matl. Spec.	Plate No.
R EG7.82.5827	. . PLATE, gusset	8	-	75/16
R EG7.82.5835	. . STEP	1	-	75/17
R AS1248/4C	. . Attaching parts:- . . Bolt, mushroom head, 2 BA	4	-	75/18
R -	. . WALKWAY (3M's) BAe, bin No. 3953-432-1 Attaching parts for EG7.82.5845:-	QR	-	75/19
R A25/1C	. Bolt, 2 BA	4	-	75/20
R A25/2C	. Bolt, 2 BA	4	-	75/21
R AGS2001/C/1-66	. Nut, stiff, 2 BA	4	-	75/22
R SP124/D	. Washer, plain	8	-	75/23
R EG7.82.5891	. PLATE, retaining Attaching parts:-	1	-	74/30
R EG7.82.5893	. Screw, special, 4-40 UNC	2	-	74/31
R AGS2035/A	. Washer	2	-	74/32
R 523-862	. SCREW, pan head	4	-	74/33
R AGS2035/B	. WASHER	4	-	74/34

E S M RECEIVER ARI.23361/0

Part Number	Description	No. Off	Matl. Spec.	Plate No.
R -	ALTERATIONS REQUIRED TO SPECTRUM ANALYSER FOR INSTALLATION IN AIRCRAFT (EG7.82.3117) (Mod 5466) Spares for:—	-	-	76/1
R 492P	. ANALYSER, spectrum	1	-	76/2
R EG7.82.5727	. COVER, sealing Attaching parts:—	1	-	76/3
R A205/A6	. Screw, pan head, 4-40 UNC	2	-	76/4
R EG7.82.5607	. GASKET	4	-	76/5
R EG7.82.3119	. PACKING	2	-	76/6
R EG7.82.5895	. PILLAR, spacing	2	-	76/7
R PAN6480/K06	. TUBING, heatshrink	QR	-	

ARI.23166 AND ARI.23167

Part Number	Description	No. Off	Matl. Spec.	Plate No.
R	GA OF ARI.23166 AND ARI.23167 IN AIRCRAFT (EG7.82.5211) (Mod 5466) Spares for:-	-	-	77/1
R	TYPE 644 AERIAL, NARDA horn	2	-	77/2
R	HD609 COOLER, liquid, ARI.23166	3	-	77/3
R	GA of ARI.23166/7, equipment in centre fuselage (EG7.82.5215) Spares for:-	-	-	78/1
R	EG7.82.1713 CABLES, co-axial in centre fuselage installation (EG7.82.1713) (See page MA5)	-	-	
R	EG7.82.852 CONNECTOR, assembly CR4 (See page MA11)	1	-	
R	EG7.82.853 CONNECTOR, assembly CR5 (See page MA11)	1	-	
R	EG7.82.854 CONNECTOR, assembly CR6 (See page MA11)	1	-	
R	EG7.82.858 CONNECTOR, assembly CR10 (See page MA11)	1	-	
R	EG7.82.860 CONNECTOR, assembly CR12	1	-	
R	EG7.82.5647 CONNECTOR, assembly CR13	1	-	
R	EG7.82.876 CONNECTOR, assembly CR28 (See page MA11)	2	-	
R	EG7.82.877 CONNECTOR, assembly CR29 (See page MA11)	3	-	
R	EG7.82.878 CONNECTOR, assembly CR30 (See page MA11)	1	-	
R	EG7.82.884 CONNECTOR, assembly CR36 (See page MA12)	1	-	
R	INSTALLATION of tray assemblies in bomb bay packs (EG7.82.5649) Spares for:-	-	-	78/2
R	EG7.82.973 LEAD, flexible Spares for:-	12	-	78/3
R	EG7.82.789 BOLT, special, 2 BA	2	S1	78/4
R	EG7.82.791 WASHER, tapped, 2 BA	2	S510	78/6
R	EG7.82.761 TRAY, No.8	1	-	78/7
R	EG7.82.767 TRAY, No.5	1	-	78/8
R	EG7.82.769 TRAY, No.6	1	-	78/9
R	EG7.82.773 TRAY, No.10	1	-	78/10
R	EG7.82.779 TRAY, No.5 (For Alt 15H equipment)	1	-	78/11
R	EG7.82.781 TRAY, No.7 (For Alt 15H equipment)	1	-	78/12
R	EG7.82.785 TRAY, No.9	1	-	78/13
R	EG7.82.787 TRAY, No.7	1	-	78/14

ARI.23166 AND ARI.23167

Part Number	Description	No. Off	Matl. Spec.	Plate No.	
					1
R -	. GA of ARI.23166/7 in front fuselage (EG7.82.5213) Spares for:-	-	-	79/1	
R -	. . . ANTENNA, "D" band installation (EG7.82.3063) Spares for:-	-	-	79/2	
R EG7.82.5755	. . . ANGLE	4	1.6mm-L165	79/3	
R 4-40	. . . ANTENNA, "D" Attaching parts:-	1	-	79/4	
R AS1248/4C	. . . Bolt, mushroom head, 2 BA	6	-	79/5	
R 6930A4/40	. . . Gasket	1	-	79/6	
R SP124/D	. . . Washer	6	-	79/7	
R EG7.82.5753	. . . BASE, mounting bracket	1	1.6mm-L165	79/8	
R A25/2C	. . . BOLT, 2 BA	8	-	79/9	
R AGS2007/C/2	. . . NUT, anchor	6	-	79/10	
R EG7.82.3133	. . . PACKER	2	L165	79/11	
R EG7.82.3135	. . . PACKER	2	L165	79/12	
R -	. . . PACKING (For aircraft WD955, WJ981 and WJ607)	1	1.25mm-L164	-	
R EG7.82.3065	. . . PLATE, assembly Spares for:-	1	-	79/13	
R EG7.82.3069 PACKING 16 SWG	1	L165	79/14	
R EG7.82.3067 PANEL 14 SWG	1	L165	79/15	
R SP124/D	. . . WASHER	8	-	79/16	
R -	. . CABLES, co-axial in front fuselage (EG7.82.5007) Spares for:-	-	-	-	
R UG27CU	. . . ADAPTER	1	-	-	
R 79825	. . . ADAPTER	2	-	-	
R 2-156DG14469	. . . CABLE, assembly "S"	1	-	-	
R 2-156DG14466	. . . CABLE, assembly "S"	1	-	-	
R X156DG002020	. . . CABLE, co-ax, "S" Band	2	-	-	
R X156DG002021	. . . CABLE, co-ax, "M" Band	1	-	-	
R EG7.82.3091	. . . CONNECTOR, CR38	1	-	-	
R EG7.82.3093	. . . CONNECTOR, CR39	1	-	-	
R EG7.82.3095	. . . CONNECTOR, CR40	1	-	-	
R -	. . . MOUNTING of aerial switch unit Type AA27703-1 (EG7.82.3081) Spares for:-	-	-	77/12	
R EG7.82.3083 PLATE, mounting assembly Spares for:-	1	-	77/13	
R LN29990A04M NUT, anchor	3	-	77/14	
R EG7.82.5801 PLATE, mounting Attaching parts for EG7.82.3083:-	1	-	77/15	
R A25/2C Bolt, 2 BA	2	-	77/16	
R AGS2001/C/1-66 Nut, stiff, 2 BA	2	-	77/17	
R SP124/D Washer	2	-	77/18	
R AA27703-1 UNIT-SWITCH	1	-	77/19	
R EG7.82.5511	. . . CONNECTOR, assembly NR4	1	-	-	
R EG7.82.5519	. . . CONNECTOR, assembly NR10	1	-	-	
R EG7.82.5505	. . . CONNECTOR, CR41	1	-	-	
R EG7.82.5507	. . . CONNECTOR, CR42	1	-	-	
R EG7.82.5509	. . . CONNECTOR, CR43	1	-	-	
R EG7.82.5767	. . . CONNECTOR, assembly, NR5	1	-	-	
R EG7.82.5769	. . . CONNECTOR, assembly, NR6	1	-	-	

ARI.23166 AND ARI.23167

Part Number	Description	No. Off	Matl. Spec.	Plate No.
R -	INSTALLATION of NARDA horn aerials (EG7.10.5001) Spares for:-	-	-	80/1
R EG7.10.10135	ANGLE	1	1.2mm-L164	80/2
R EG7.10.10136	ANGLE	1	1.2mm-L164	80/3
R EG7.10.5027	ANGLE	1	EEJ96/18 or 1.2mm-L164	80/4
R EG7.10.5028	ANGLE	1	EEJ96/18 or 1.2mm-L164	80/5
R EG7.10.10117	BRACKET, mounting Attaching parts:-	2	-	80/6
R A25/3C	Bolt, 2 BA	4	-	80/7
R A59/3E	Bolt, 1/4" BSF	1	-	80/8
R SP124/D	Washer	4	-	80/9
R SP122/E	Washer	1	-	80/10
R EG7.10.10118	BRACKET, mounting Attaching parts:-	2	-	80/11
R A25/3C	Bolt, 2 BA	4	-	80/12
R A59/3E	Bolt, 1/4" BSF	1	-	80/13
R SP124/D	Washer	4	-	80/14
R SP122/E	Washer	1	-	80/15
R EG7.10.10129	BRACKET, assembly Spares for:-	8	-	80/16
R EG7.10.5015	BRACKET	1	1.6mm-S514	80/17
R AGS2007/E/1	NUT, anchor	1	-	80/18
R EEAS18/5/ER	PACKING	1	-	80/19
R A25/8E	Bolt, 1/4" BSF	2	-	80/20
R AGS2001/E/1-66	Nut	2	-	80/21
R SP124/E	Washer	2	-	80/22
R EG7.10.10137	BRACKET, assembly Spares for:-	2	-	80/23
R EG7.10.5003	BRACKET	1	1.6mm-L164	80/24
R EE11/2	SECTION, extruded	QR	-	80/25
R A25/2C	Bolt, 2 BA	2	-	80/26
R EEAS27/22/HR	Washer	2	-	80/27
R EG7.10.10138	BRACKET, assembly Spares for:-	2	-	80/28
R EG7.10.5004	BRACKET	1	-	80/29
R EE11/2	SECTION, extruded	QR	-	80/30
R A25/2C	Bolt, 2 BA	2	-	80/31
R EEAS27/22/HR	Washer	2	-	80/32

ARI.23166 AND ARI.23167

Part Number	Description						No. Off	Mati. Spec.	Plate No.
	1	2	3	4	5	6			
R EG7.10.10139	BRACKET, assembly	2	-	80/33	
					Spares for:-				
R EG7.10.5005	BRACKET	1	1.6mm-L164	80/34	
R AGS2007/C/1	NUT, anchor	4	-	80/35	
R EE11/2	SECTION, extruded	QR	-	80/36	
					Attaching parts for EG7.10.10139:-				
R A25/2C	Bolt, 2 BA	4	-	80/37	
R EEAS27/22/HR	Washer	4	-	80/38	
R EG7.10.10141	BRACKET, assembly	2	-	80/39	
					Spares for:-				
R EG7.10.5007	BRACKET	1	2mm-L164	80/40	
R AGS2007/C/1	NUT, anchor	2	-	80/41	
R EE11/2	SECTION, extruded	QR	-	80/42	
					Attaching parts for EG7.10.10141:-				
R A25/3C	Bolt, 2 BA	2	-	80/43	
R EG7.10.10145	Packer, 0.2" thick	2	L164	80/44	
R -	BRACKET, co-ax, cable support installation (EG7.82.2133)	-	-	81/1	
					Spares for:-				
R EG7.82.2423	CHANNEL, assembly	1	-	81/2	
					Spares for:-				
R EG7.82.2137	CHANNEL	1	-	81/3	
R AGS2007/C/1	NUT, anchor	3	-	81/4	
R AGS2018/C/1	NUT, anchor	4	-	81/5	
					Attaching parts for EG7.82.2423:-				
R A25/1C	Bolt, 2 BA	4	-	81/6	
R SP13/C	Washer	4	-	81/7	
R EG7.82.2425	CLAMP, assembly	1	-	81/8	
					Spares for:-				
R EG7.82.2139	CLAMP	1	-	81/9	
R EG7.82.2427	LINER	2	-	81/10	
R EG7.82.2429	LINER	2	-	81/11	
					Attaching parts for EG7.82.2425:-				
R A25/15C	Bolt, 2 BA	3	-	81/12	
R AS2230/404	Rivet, c'sk head, 1/8" dia.	2	-	81/13	
R AS2306/138	Tube, distance	3	-	81/14	
R SP13/C	Washer	3	-	81/15	
R EG7.82.2421	DIAPHRAGM 18 SWG	1	L72	81/16	
R EG7.82.2422	DIAPHRAGM 18 SWG	1	L72	81/17	
R EG7.82.2431	PLATE	1	-	81/18	
R EG7.10.10107	CHANNEL	1	1.2mm-L164	82/1	

ARI.23166 AND ARI.23167

Part Number	Description	No. Off	Mati. Spec.	Plate No.
R EG7.10.10109	CHANNEL, assembly Spares for:—	1	—	82/2
R EG7.10.5023	CHANNEL	1	EEDX278	82/3
R AGS2007/E/1	NUT, anchor	2	—	82/4
R AGS2007/C/1	NUT, anchor	8	—	82/5
R A25/2E	Attaching parts for EG7.10.10109:— Bolt, 1/4" BSF	8	—	82/6
R AGS2001/E/1-66	Nut	8	—	82/7
R SP124/E	Washer	8	—	82/8
R EG7.10.10111	CHANNEL Attaching parts:—	1	EEDX278	82/9
R A25/3E	Bolt, 1/4" BSF	1	—	82/10
R SP124/E	Washer	1	—	82/11
R EG7.10.10112	CHANNEL Attaching parts:—	1	EEDX278	82/12
R A25/3E	Bolt, 1/4" BSF	1	—	82/13
R SP124/E	Washer	1	—	82/14
R EG7.10.10113	CHANNEL, assembly Spares for:—	1	—	82/15
R EG7.10.5017	CHANNEL	1	EEDX278	82/16
R AGS2007/C/1	NUT, anchor	8	—	82/17
R A25/3C	Attaching parts for EG7.10.10113:— Bolt, 2 BA	8	—	82/18
R SP124/D	Washer	8	—	82/19
R EG7.10.10115	CHANNEL, assembly Spares for:—	1	—	82/20
R EG7.10.5019	CHANNEL	1	EEDX278	82/21
R AGS2007/C/1	NUT, anchor	8	—	82/22
R EG7.10.10151	CHANNEL, assembly Spares for:—	2	—	82/23
R EG7.10.5021	CHANNEL	1	—	82/24
R AGS2007/C/1	NUT, anchor	2	—	82/25
R EG7.10.10143	CHANNEL, assembly Spares for:—	1	—	82/26
R EG7.10.5009	CHANNEL	1	1.2mm-L164	82/27
R AGS2007/C/1	NUT, anchor	3	—	82/28
R EG7.10.10144	CHANNEL, assembly Spares for:—	1	—	82/29
R EG7.10.5010	CHANNEL	1	1.2mm-L164	82/30
R AGS2007/C/1	NUT, anchor	3	—	82/31

ARI.23166 AND ARI.23167

Part Number	Description	No. Off	Mati. Spec.	Plate No.
R EG7.10.5029 CHANNEL, assembly Spares for:-	1	-	82/32
R EG7.10.5031 CHANNEL	1	1.2mm-L164	82/33
R AGS2007/C/1 NUT, anchor	3	-	82/34
R EG7.10.5030 CHANNEL, assembly Spares for:-	1	-	82/35
R EG7.10.5032 CHANNEL	1	1.2mm-L164	82/36
R AGS2007/C/1 NUT, anchor	3	-	82/37
R EG7.10.10119 CLEAT	8	1.6mm-L164 or EEJ90- 16SWG	82/38
R EG7.10.10121 CLEAT	2	1.6mm-L164 or EEJ90- 16 SWG	82/39
R EG7.10.10122 CLEAT	2	1.6mm-L164 or EEJ90- 16SWG	82/40
R EG7.10.10123 CLEAT	1	1.2mm-L164	82/41
R EG7.10.10124 CLEAT	1	1.2mm-L164	82/42
R EG7.10.10125 CLEAT	1	1.2mm-L164	82/43
R EG7.10.10126 CLEAT	1	1.2mm-L164	82/44
R EG7.10.10103 DIAPHRAGM	1	1.2mm-L164	82/45
R EG7.10.10147 LABEL	1	-	82/46
R EG7.10.10148 LABEL	1	-	82/47
R EG7.10.10127 PACKER	4	L65	82/48
R EG7.10.5001A PACKING, 0.3mm to 2 mm	QR	L164	82/49
R EG7.10.10105 PLATE	1	1.2mm-L164	82/50
R EG7.10.10106 PLATE	1	1.2mm-L164	82/51
R EG7.10.10149 POINTER	1	1.2mm-L164	82/52
R EG7.10.10150 POINTER	1	1.2mm-L164	82/53
R C4646	. INDICATOR, control (ARI23166) (Pre Mod 5534)	3	-	77/4
R C4646	. INDICATOR, control (ARI23166) (Mod 5534) (Pre Mod 5535)	1	-	
R 1.156DG14459	. INDICATOR, control E/F band (Mod 5534)	2	-	77/4A
R 1.156DG14468	. INDICATOR, control D band (Mod 5535)	1	-	77/4B
C3324	. INDICATOR, control, ARI23167	1	-	77/5
RFO-1104/ ALT21A	. OSCILLATOR, ARI23166	2	-	77/6
RFBAND1/ ALT21A	. OSCILLATOR, ARI23166	1	-	77/7
TYPE 10-10	. OUTLET, Type "N"	2	-	77/8
PP2679	. PACK, power supply, ARI23167 (Alternative to Liquid cooler HD609)	1	-	77/9
T915	. TRANSMITTER, T915, ARI23166	3	-	77/10
T782	. TRANSMITTER, T782, ARI23167 (Alternative to T915 and RFBAND1/ALT21A)	1	-	77/11

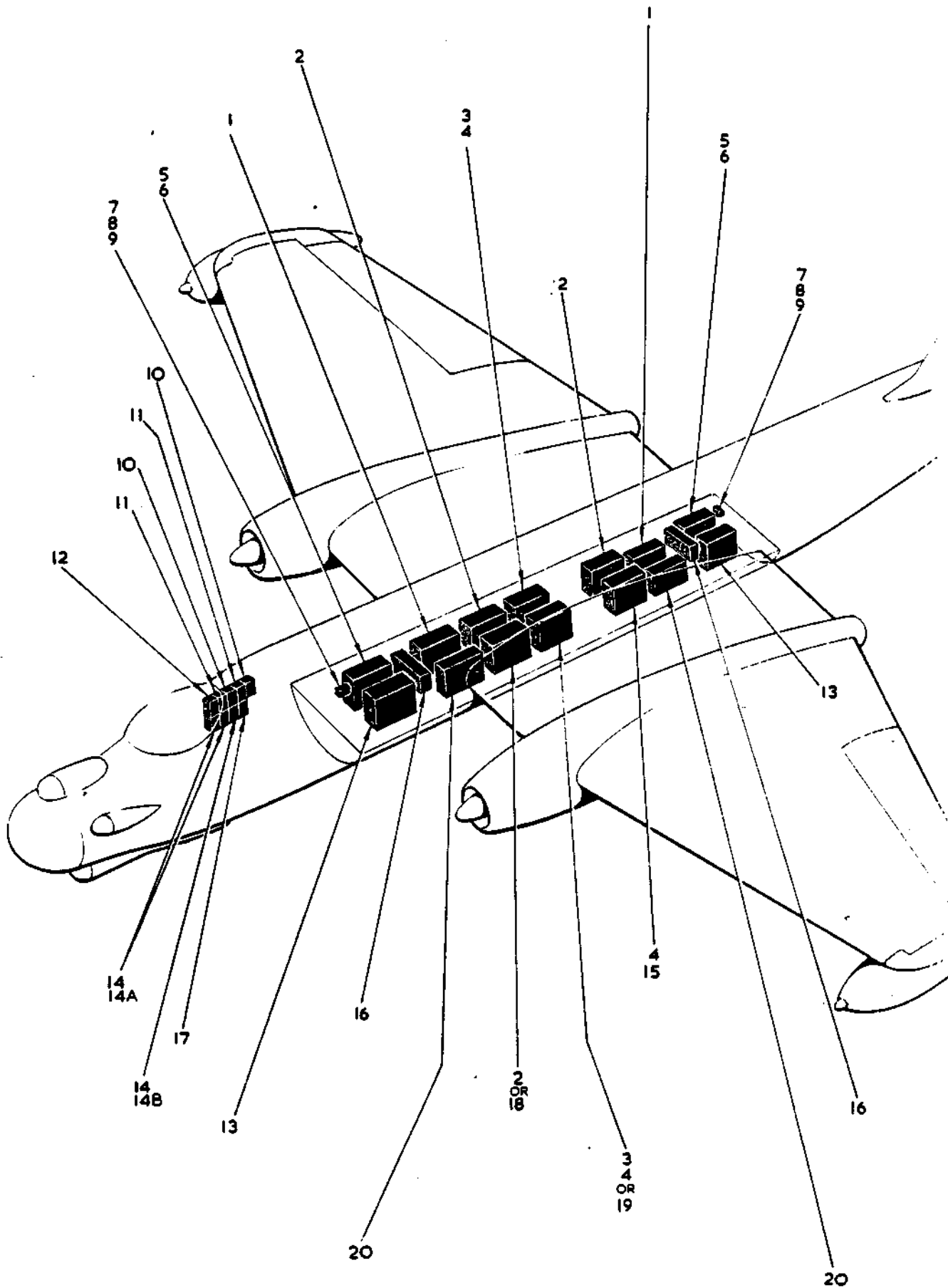


FIG.1 ELECTRONIC EQUIPMENT IN AIRCRAFT

T MK 17. SECT M



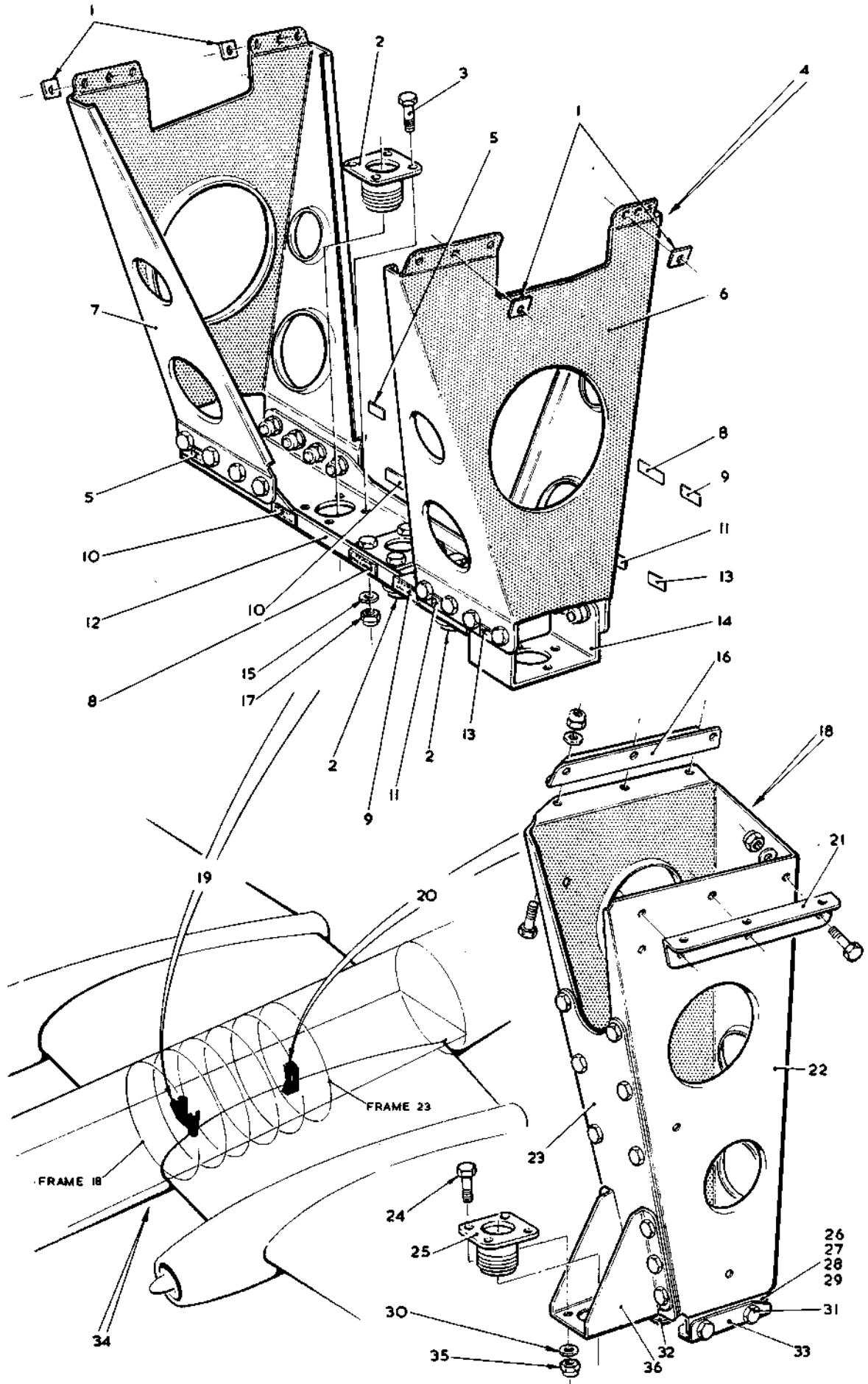


FIG 2 ELECTRONIC EQUIPMENT IN CENTRE FUSELAGE
Restricted



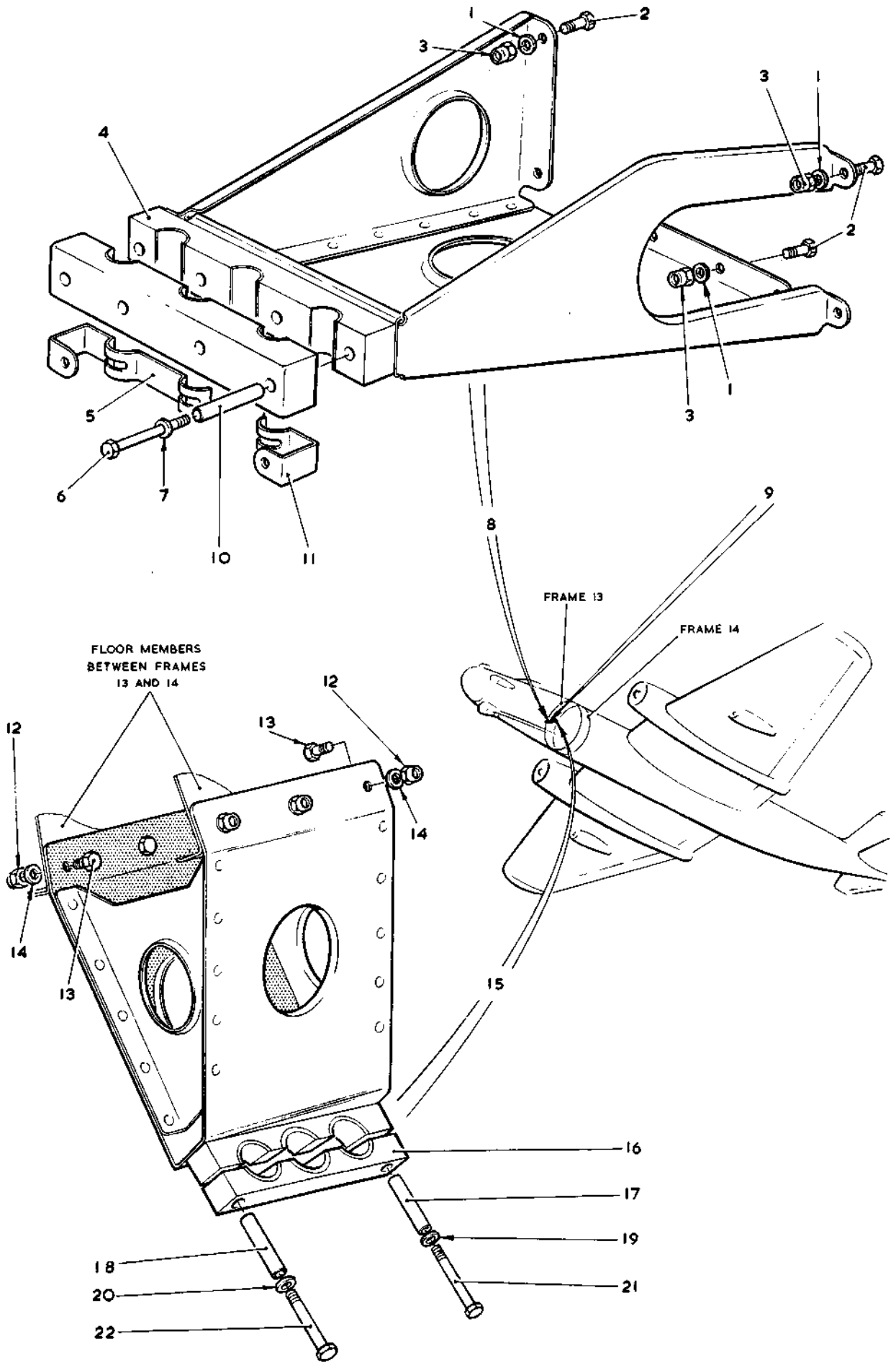


FIG. 3 ELECTRONIC EQUIPMENT IN CENTRE FUSELAGE
Restricted



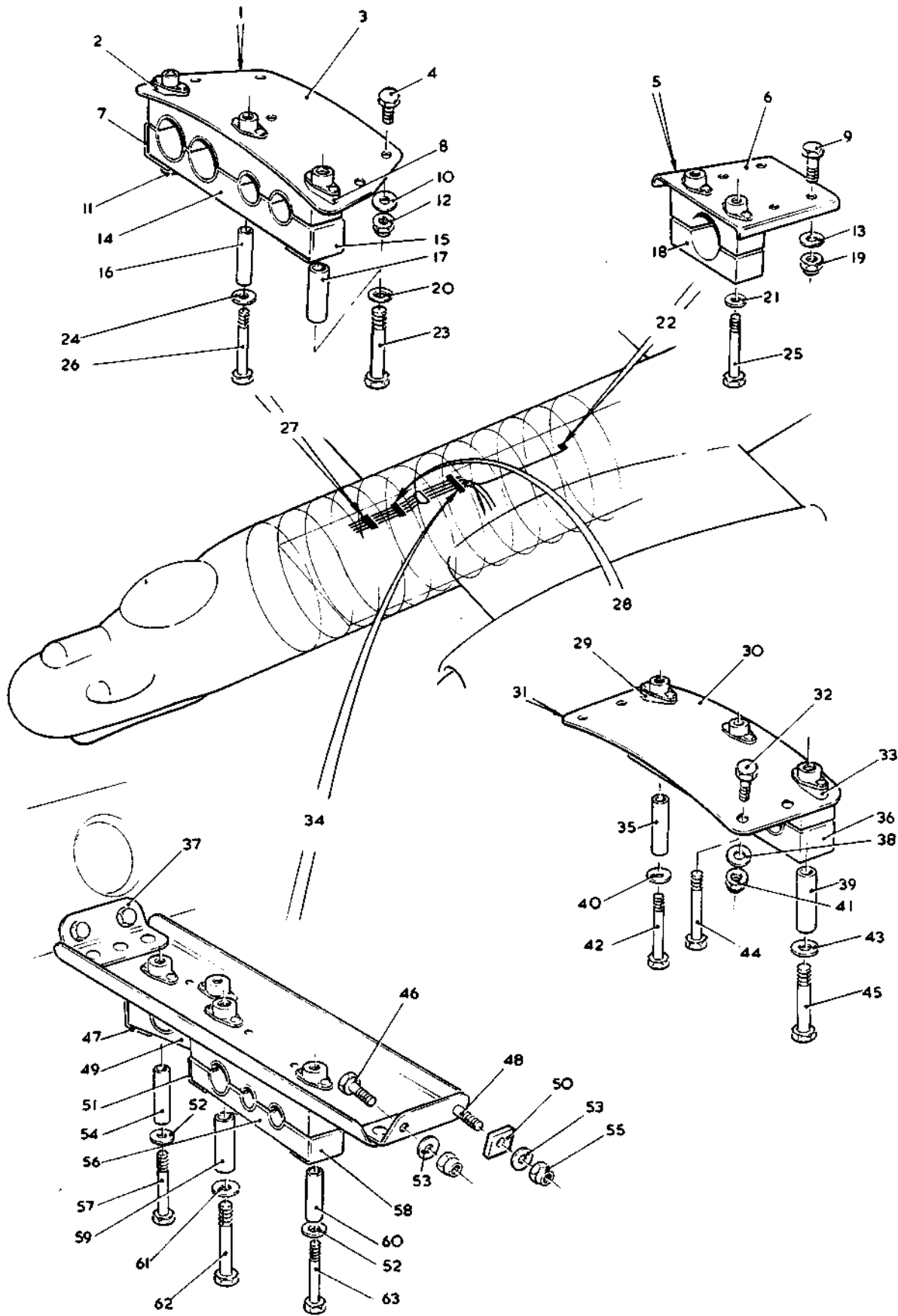


FIG 4 ELECTRONIC EQUIPMENT IN CENTRE FUSELAGE



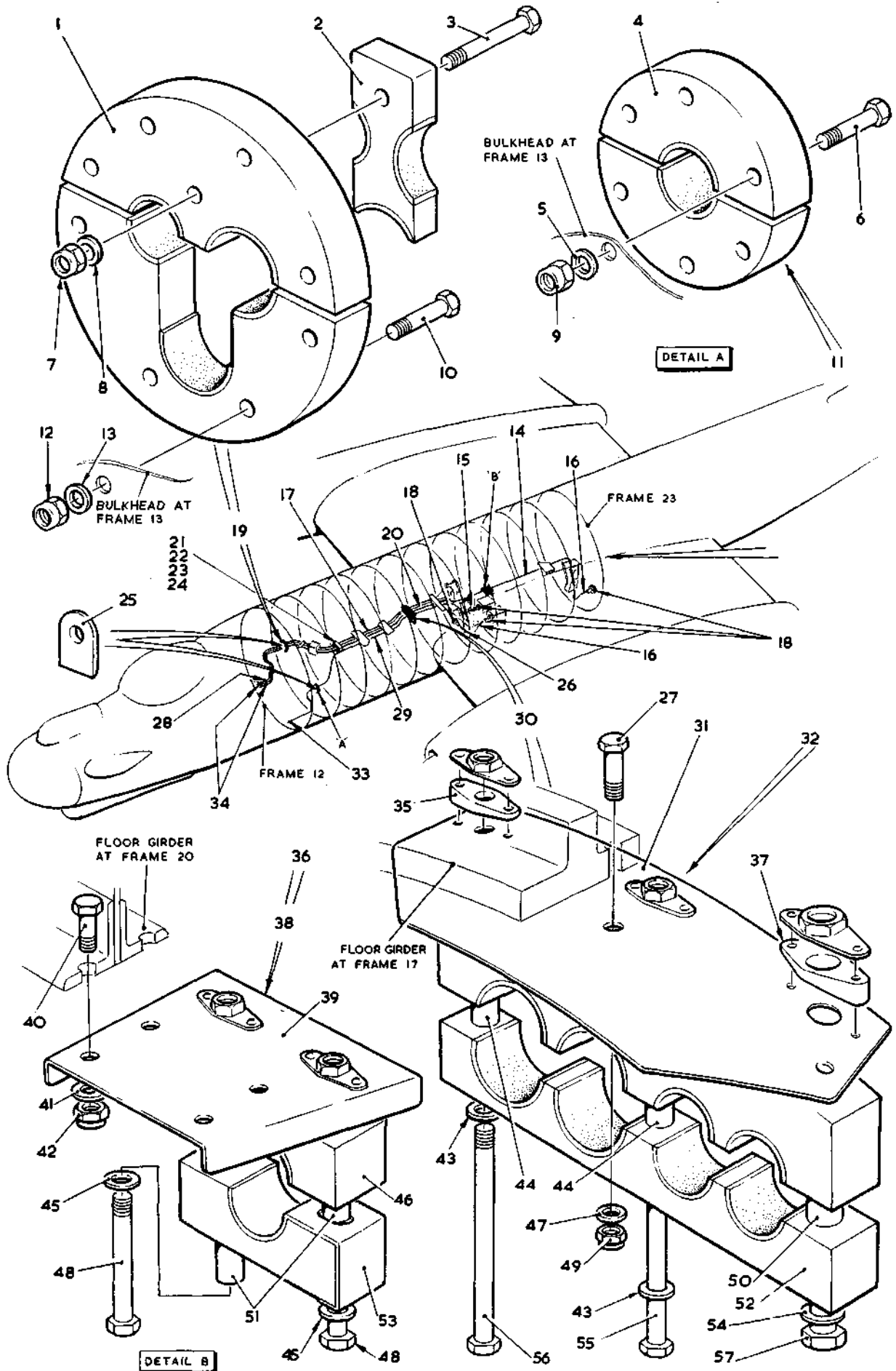


FIG5 ELECTRONIC EQUIPMENT IN CENTRE FUSELAGE



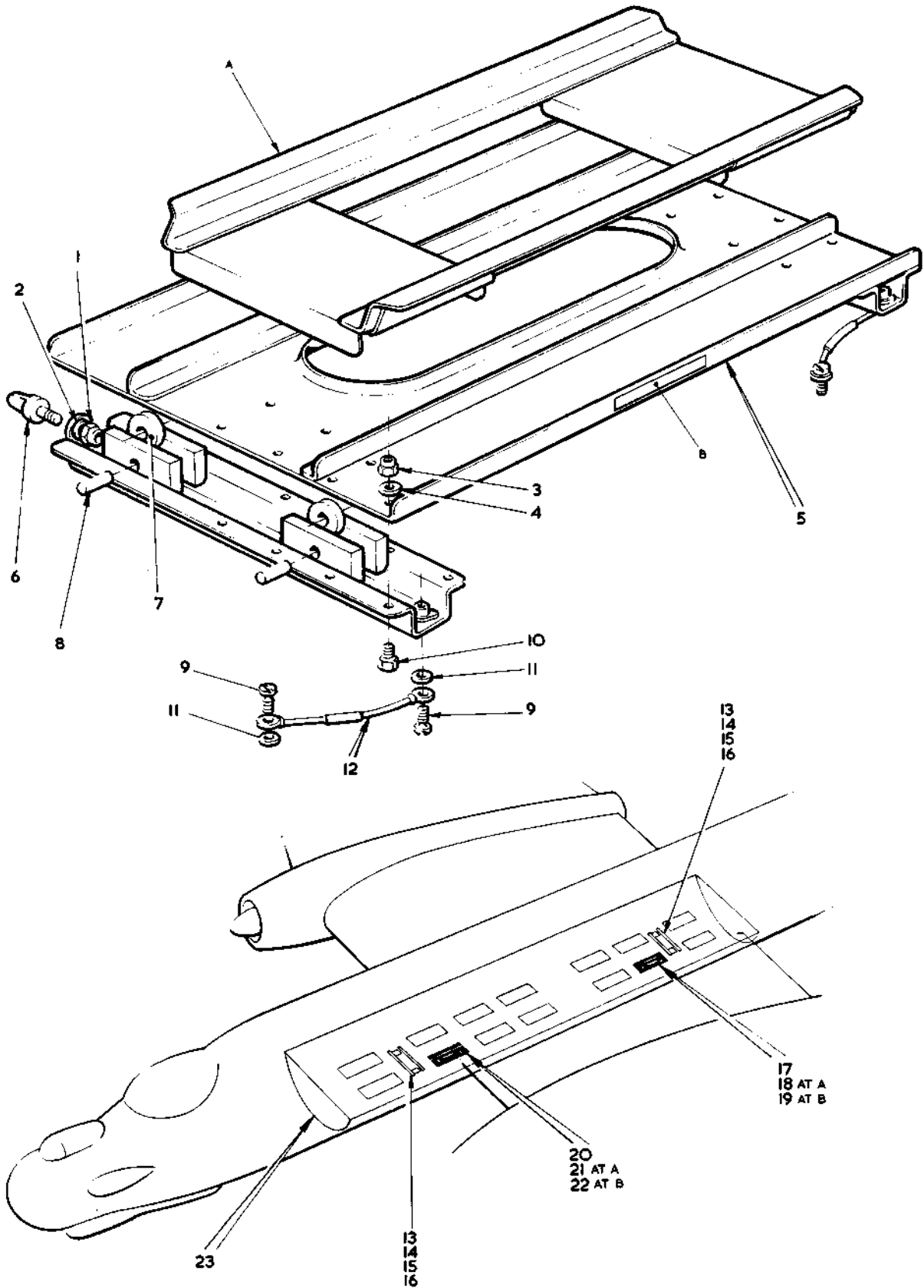


FIG. 6 ELECTRONIC EQUIPMENT IN CENTRE FUSELAGE
Restricted



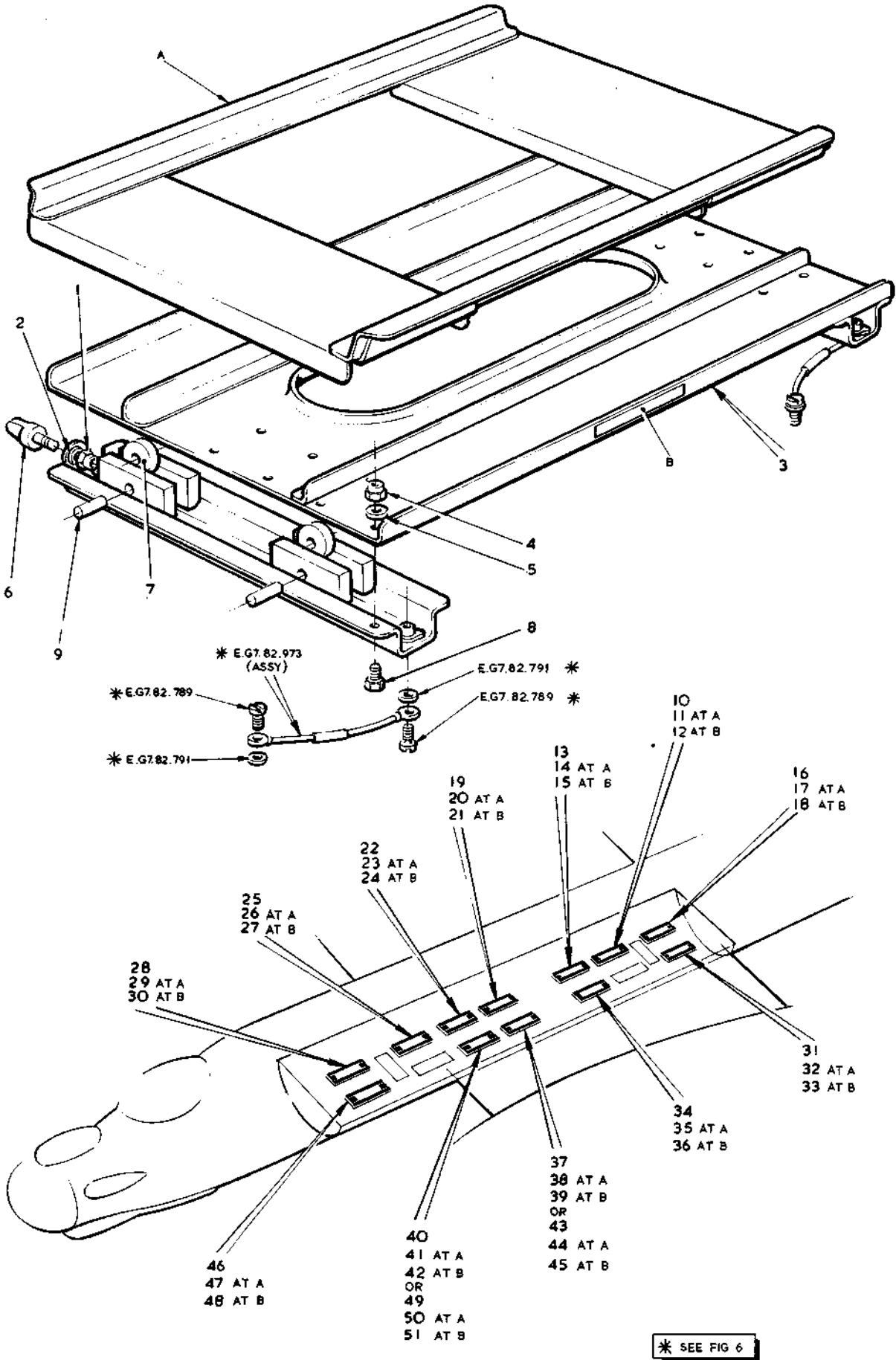


FIG 7 ELECTRONIC EQUIPMENT IN CENTRE FUSELAGE

Restricted



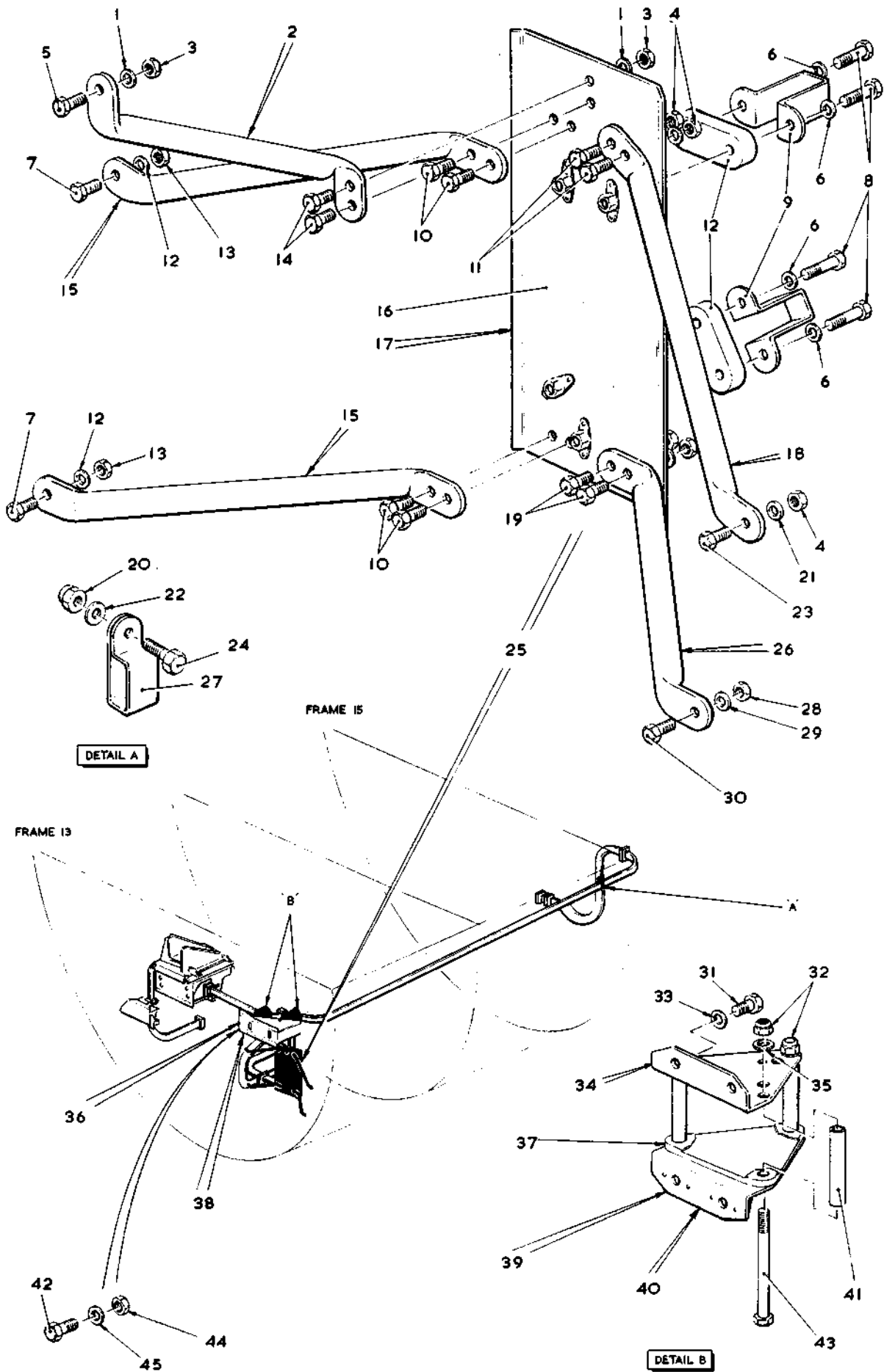


FIG.8 ELECTRONIC EQUIPMENT IN CENTRE FUSELAGE
Restricted



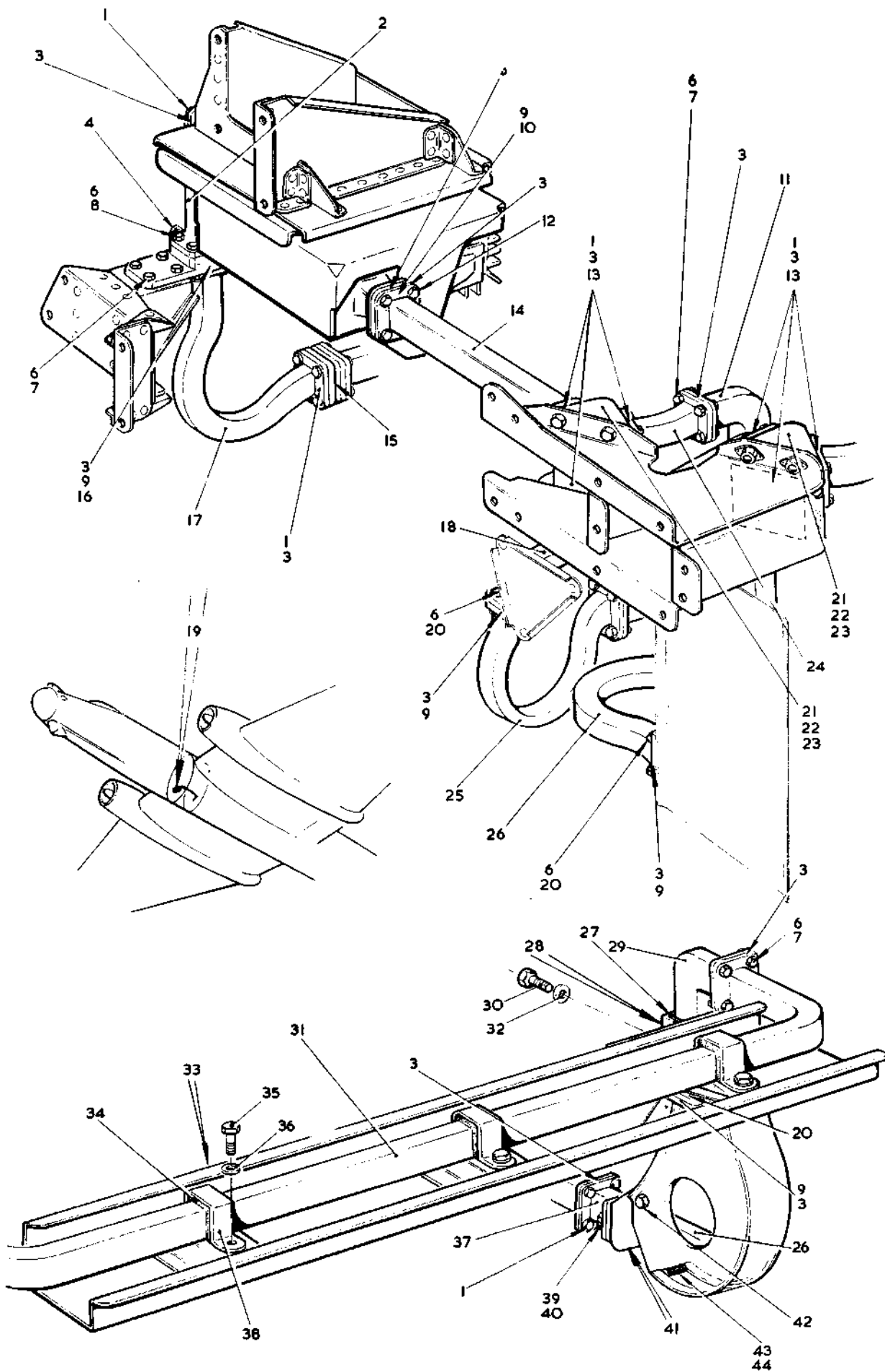


FIG 9. ELECTRONIC EQUIPMENT IN FUSELAGE
Restricted



Restricted

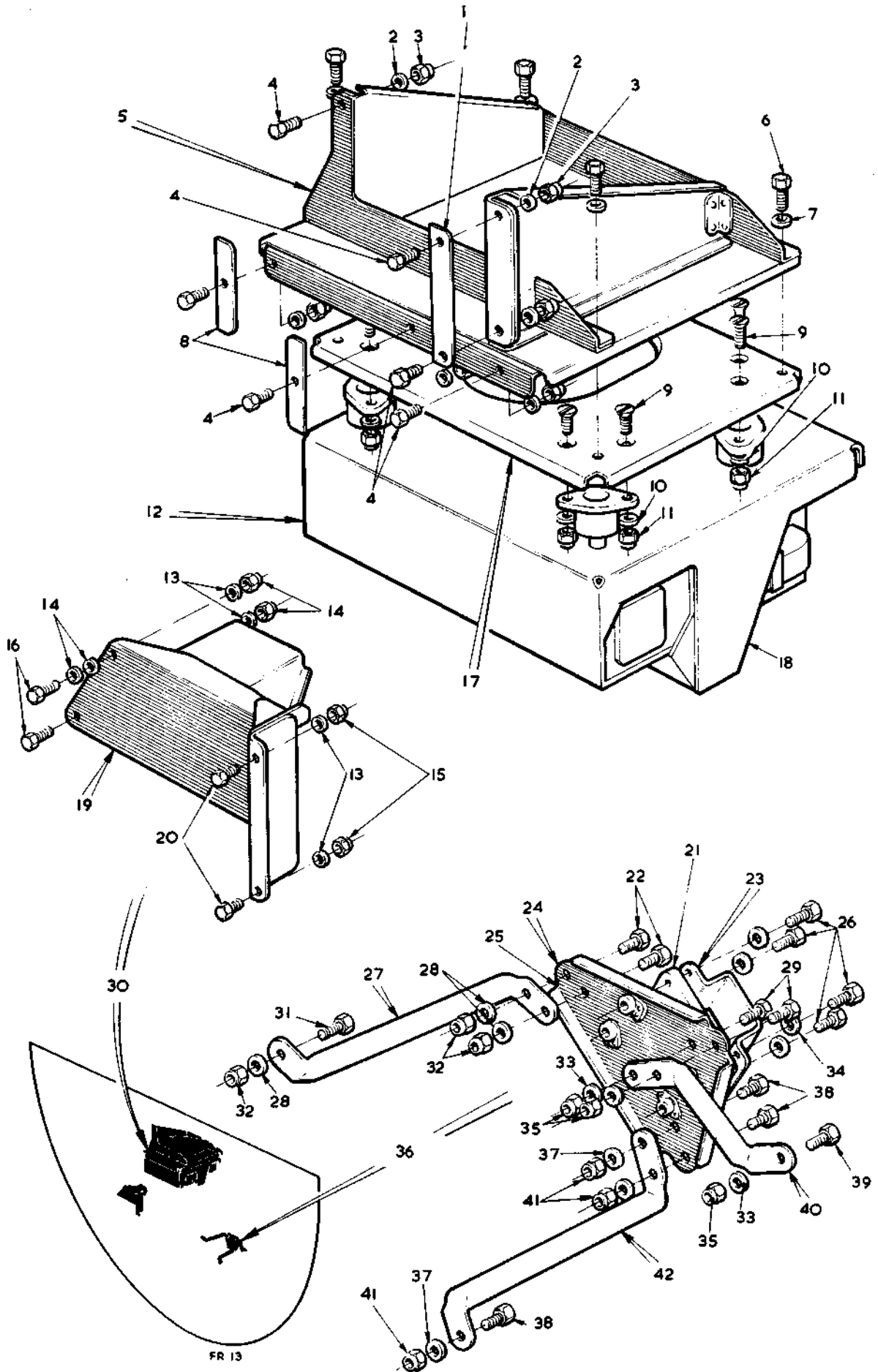


FIG 10 ELECTRONIC EQUIPMENT IN CENTRE FUSELAGE

Restricted



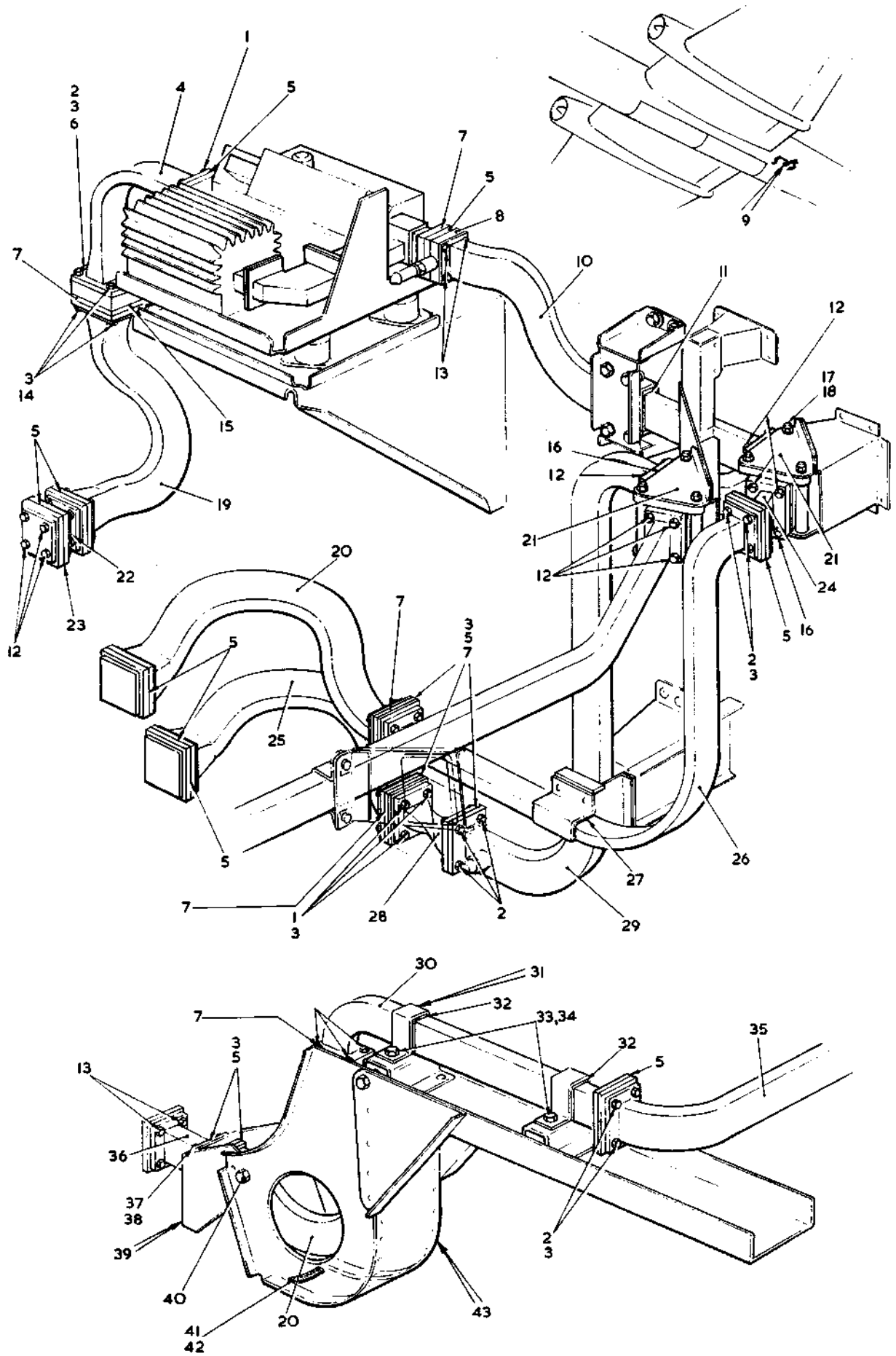


FIG II. ELECTRONIC EQUIPMENT IN CENTRE FUSELAGE



1

1

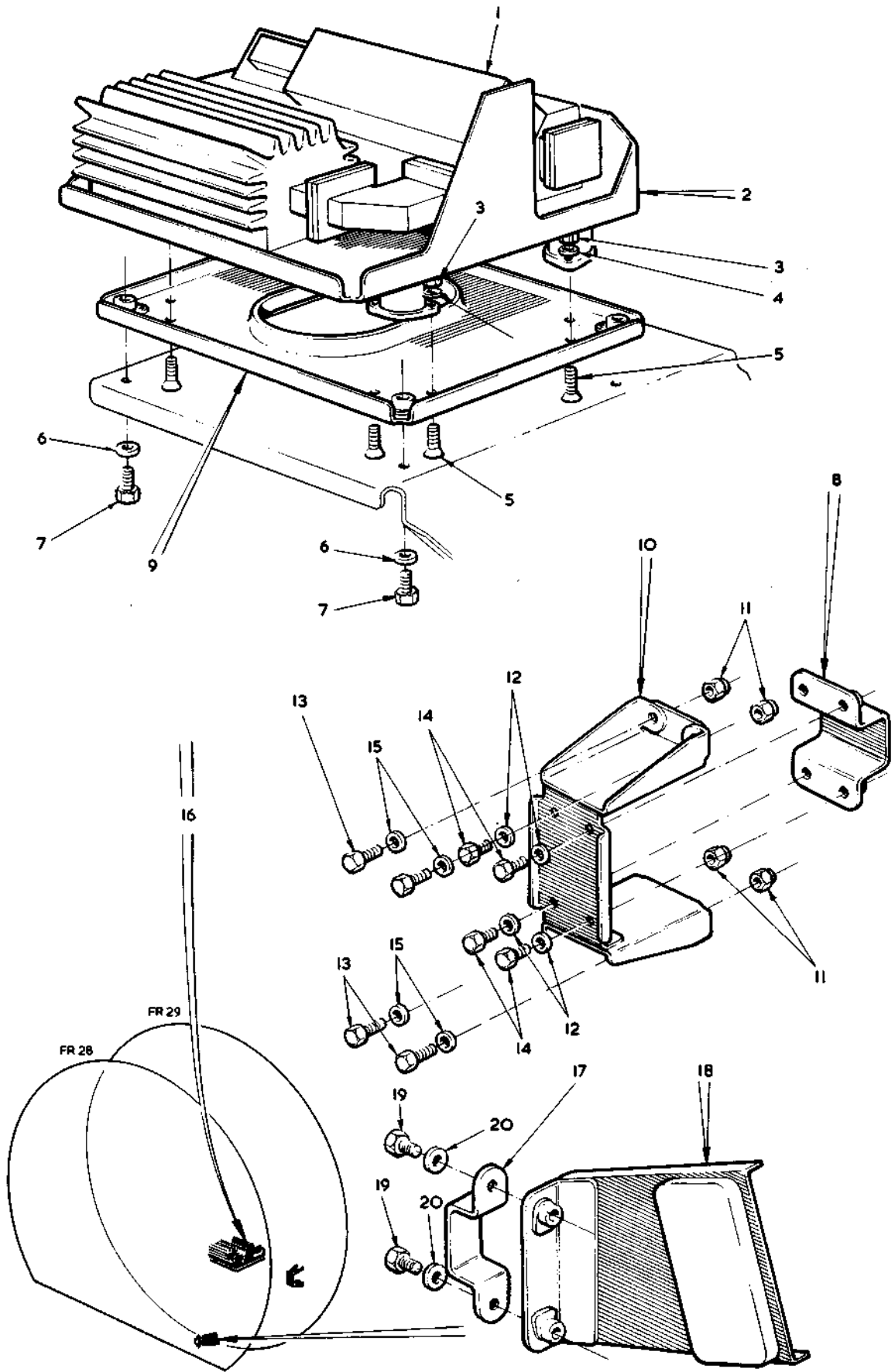


FIG. 12 ELECTRONIC EQUIPMENT IN CENTRE FUSELAGE
Restricted



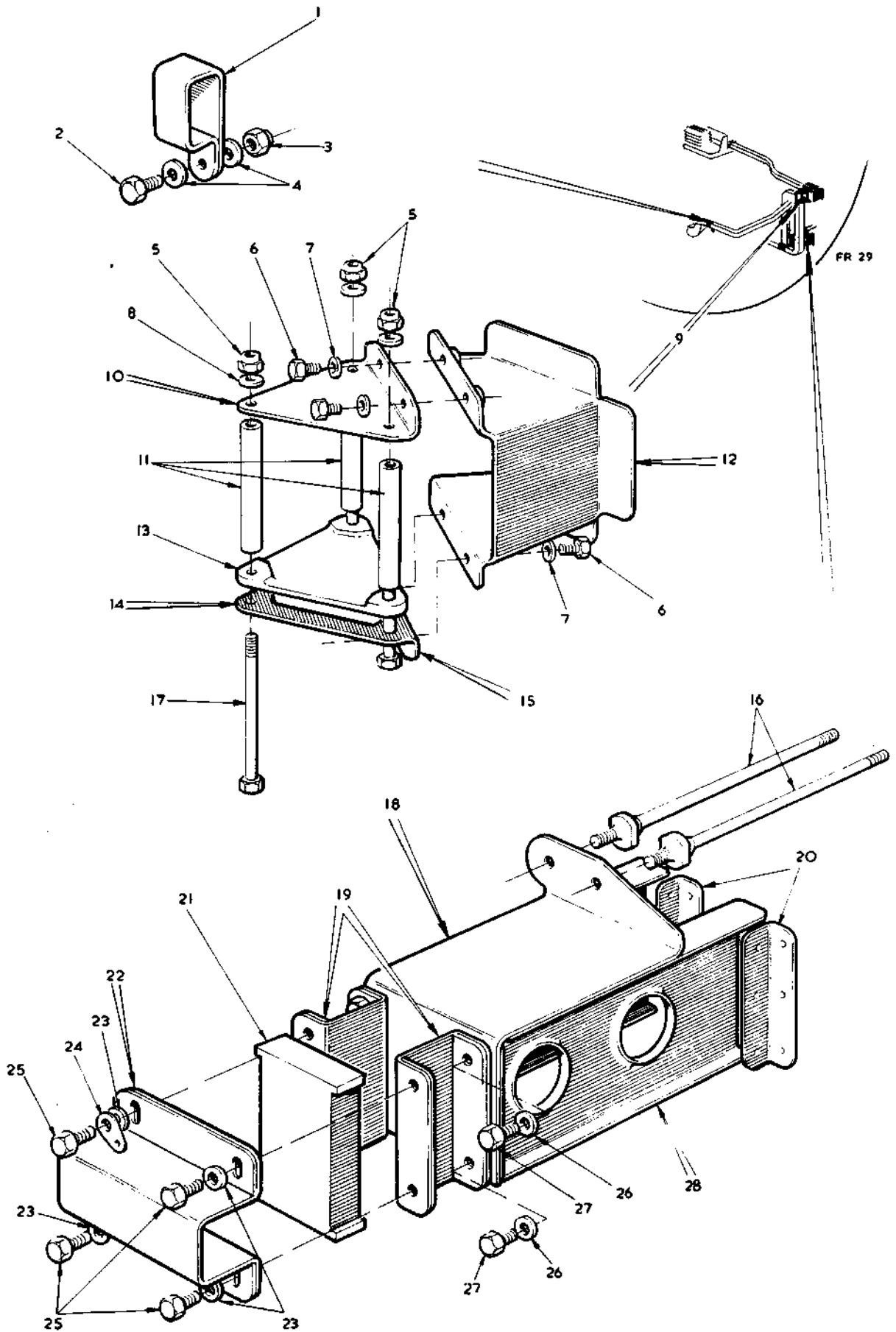


FIG 13. ELECTRONIC EQUIPMENT IN CENTRE FUSELAGE

Restricted



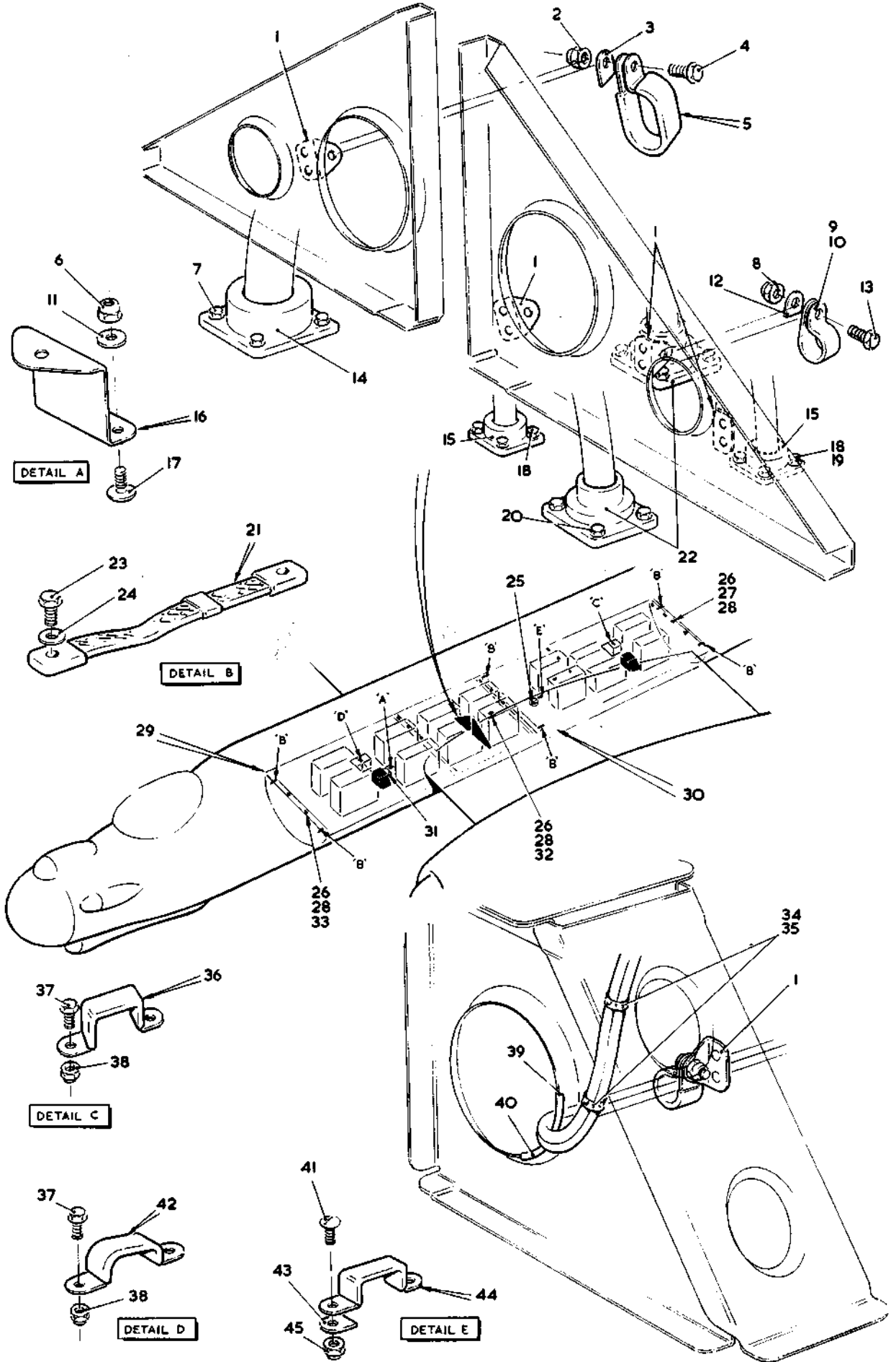
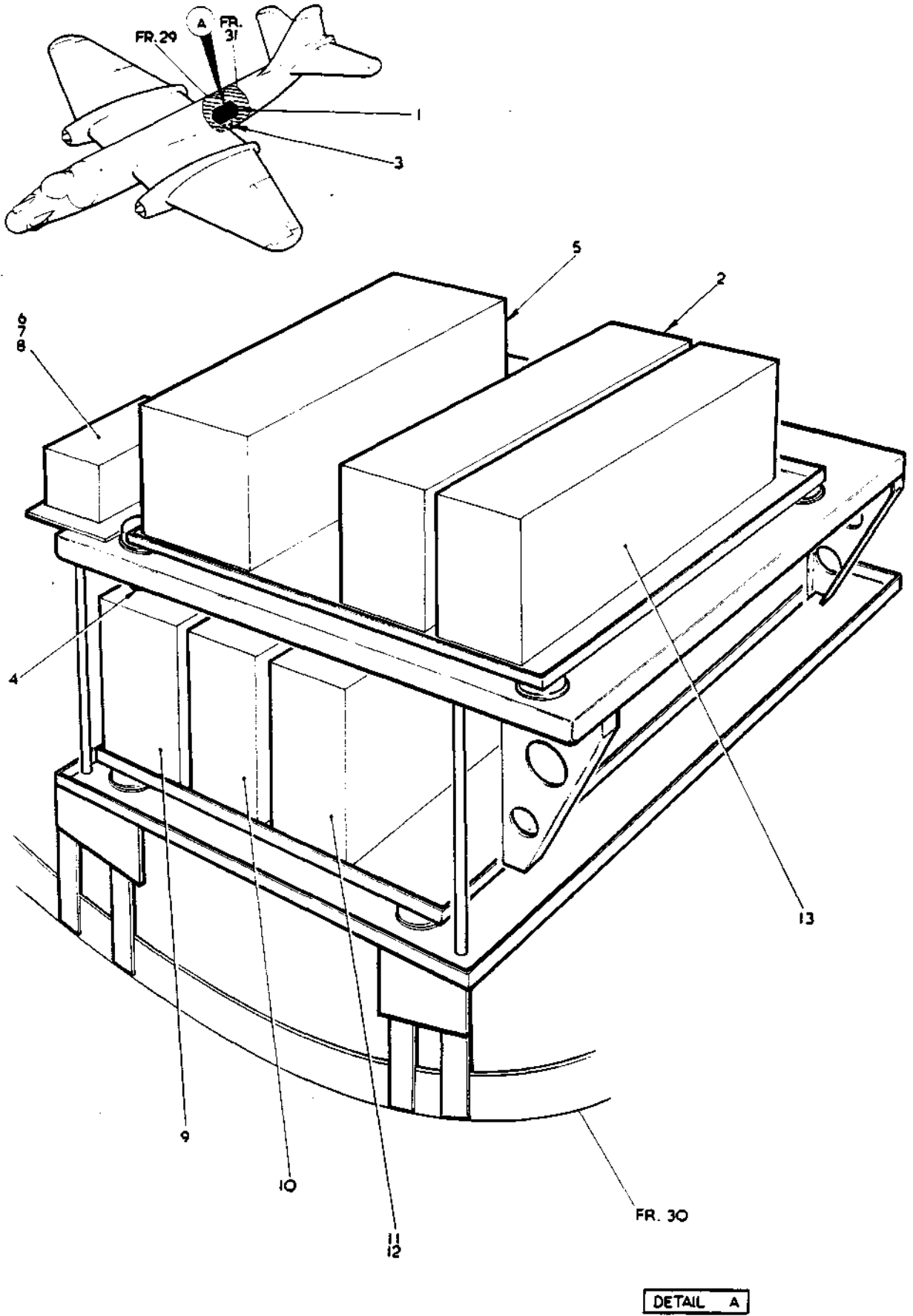


FIG.14 ELECTRONIC EQUIPMENT IN CENTRE FUSELAGE
Restricted





DETAIL A

FIG 14A ELECTRONIC EQUIPMENT IN CENTRE FUSELAGE

T MK 17 SECT M



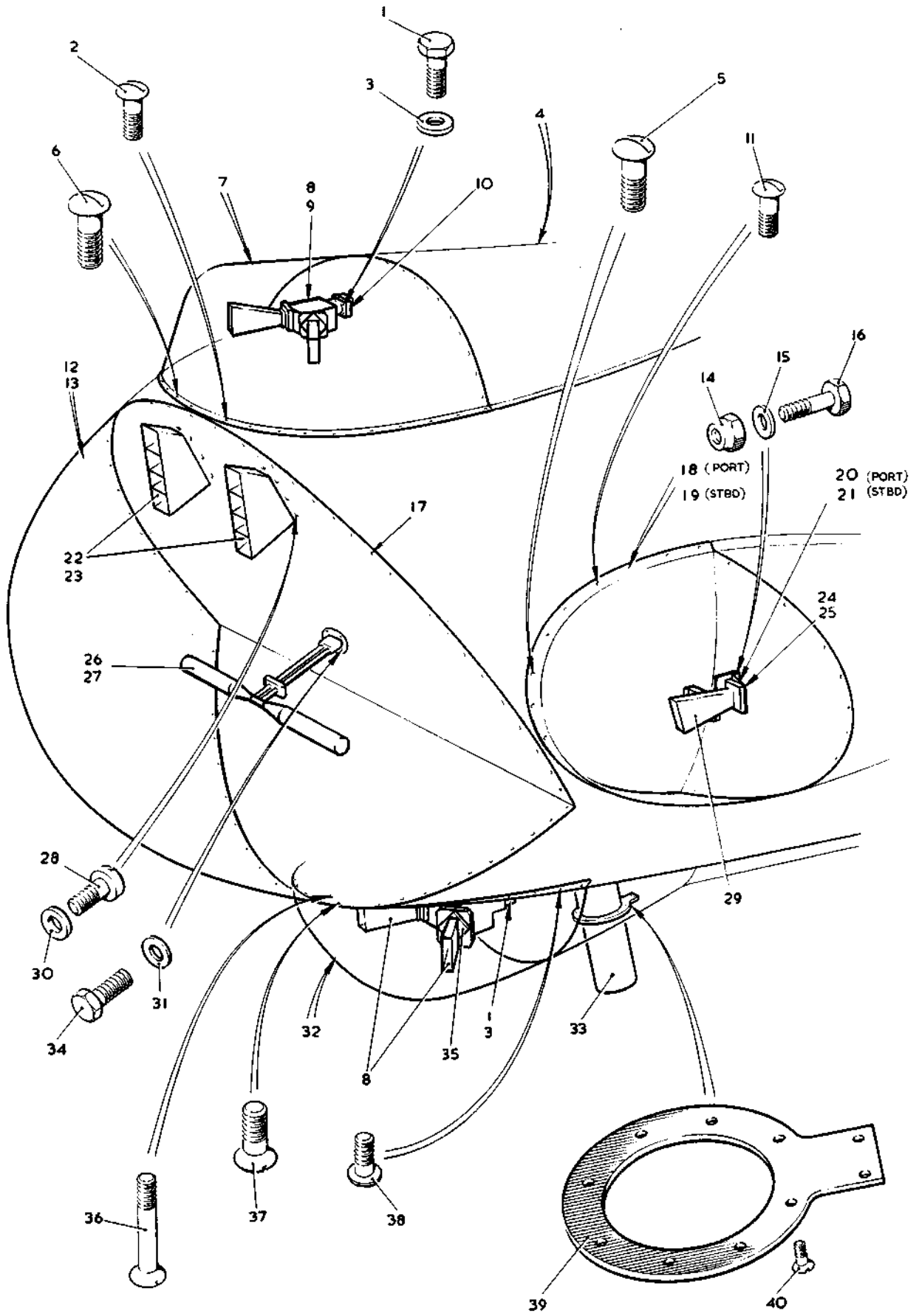


FIG15. ELECTRONIC EQUIPMENT IN FRONT FUSELAGE

Restricted



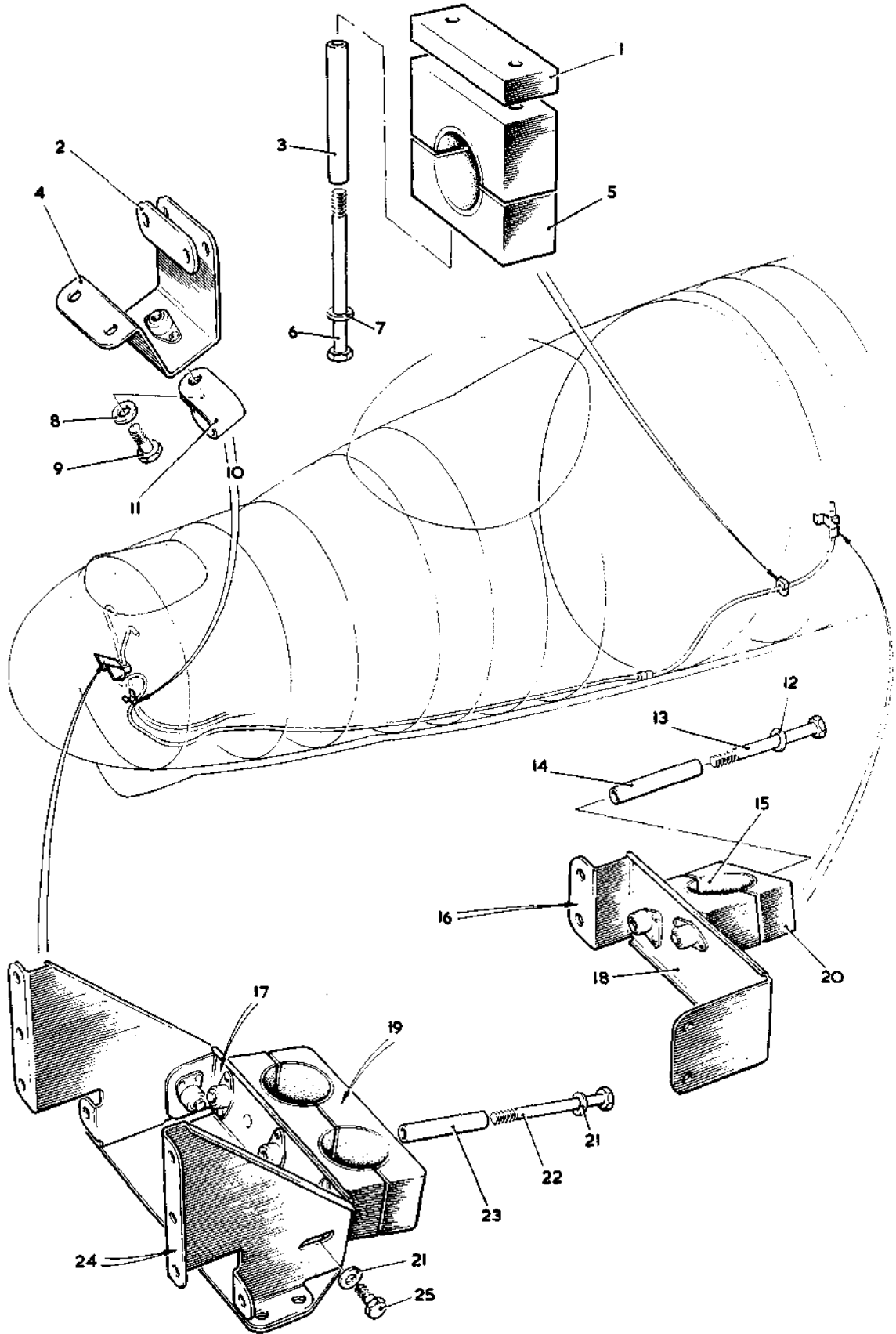


FIG. 16 ELECTRONIC EQUIPMENT IN FRONT FUSELAGE
Restricted



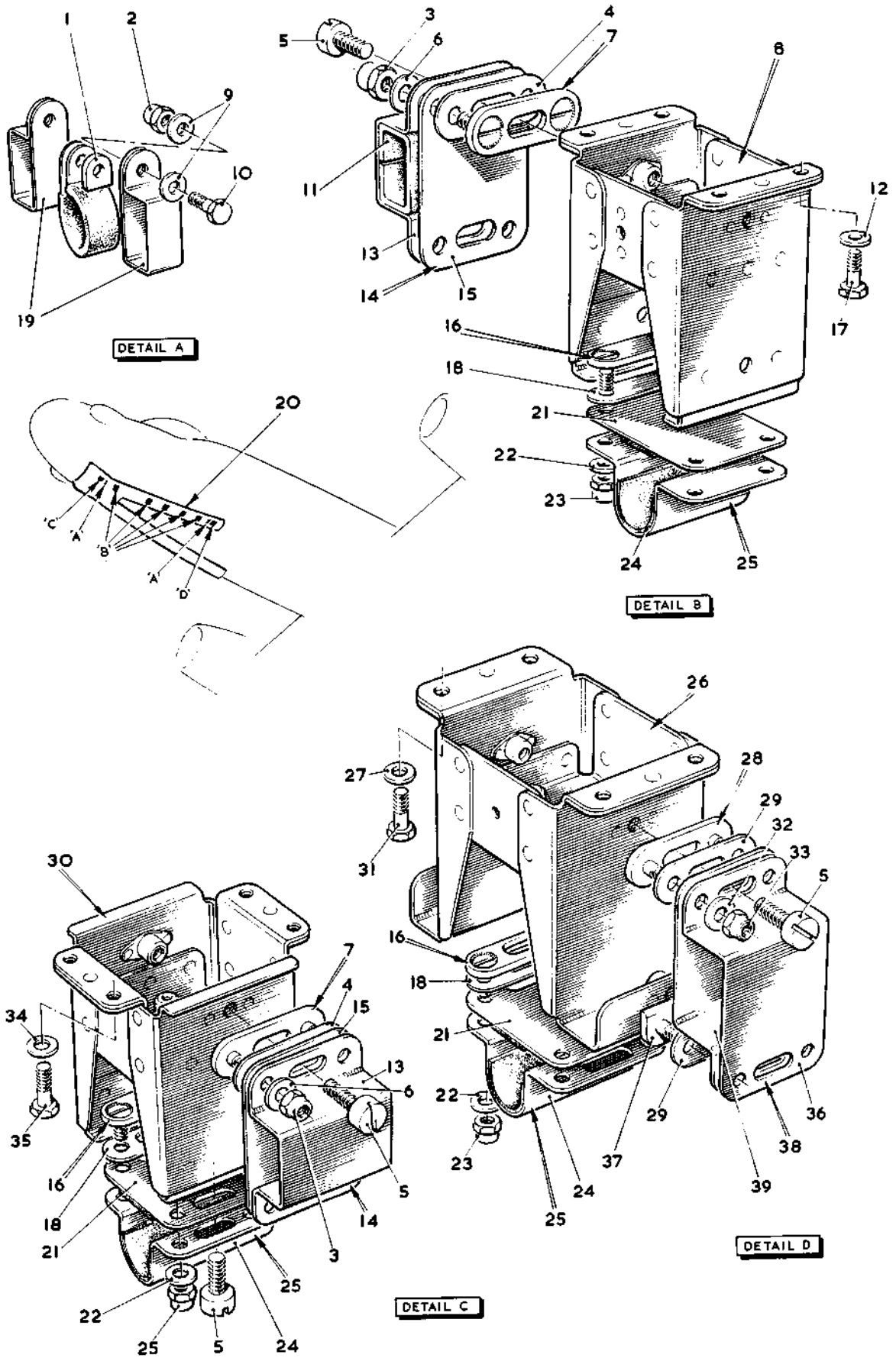


FIG. 17 ELECTRONIC EQUIPMENT IN FRONT FUSELAGE
Restricted



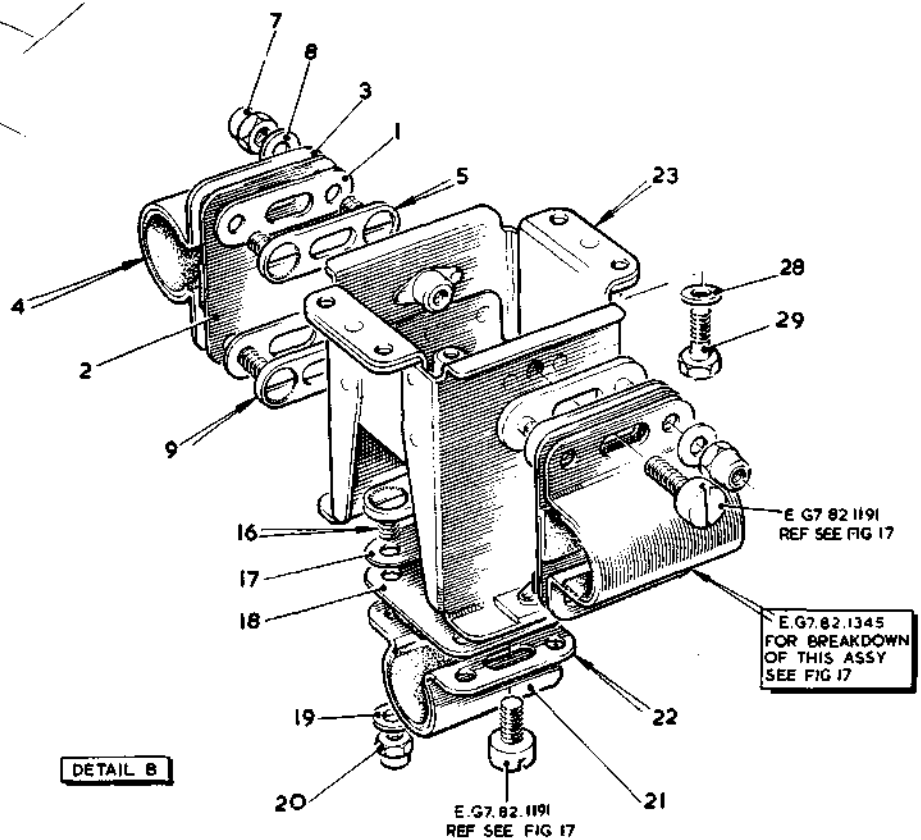
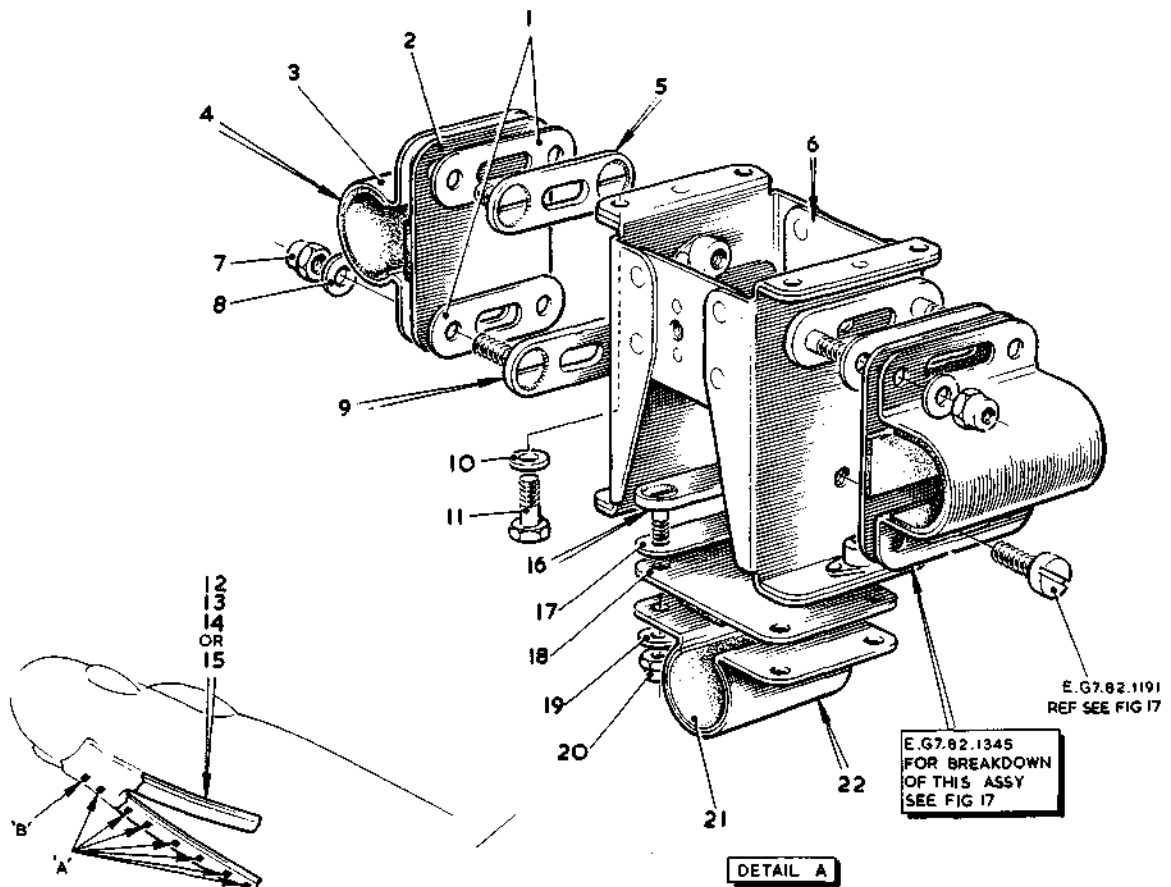


FIG 18 ELECTRONIC EQUIPMENT IN FRONT FUSELAGE
Restricted



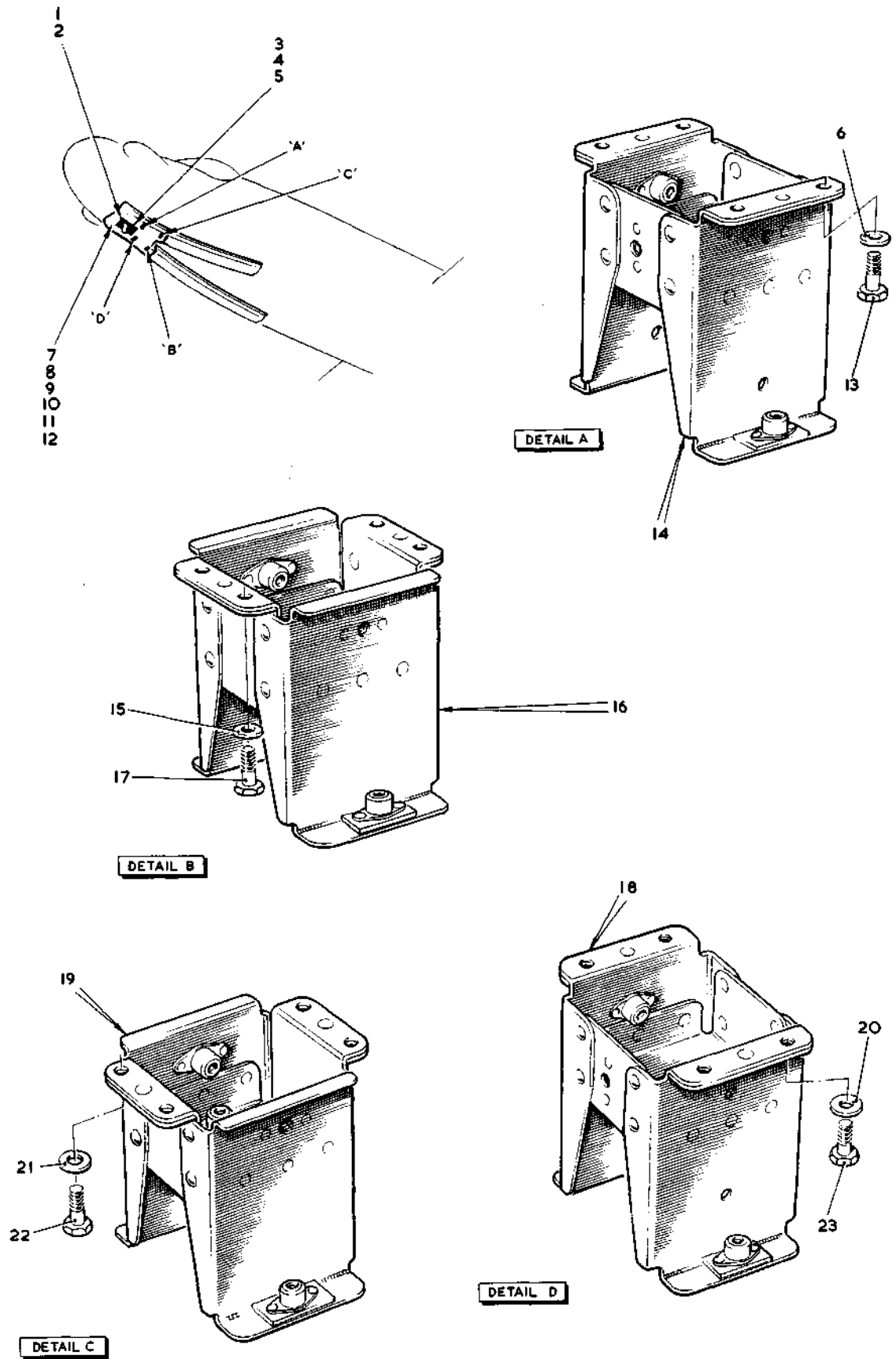


FIG.19 ELECTRONIC EQUIPMENT IN FRONT FUSELAGE



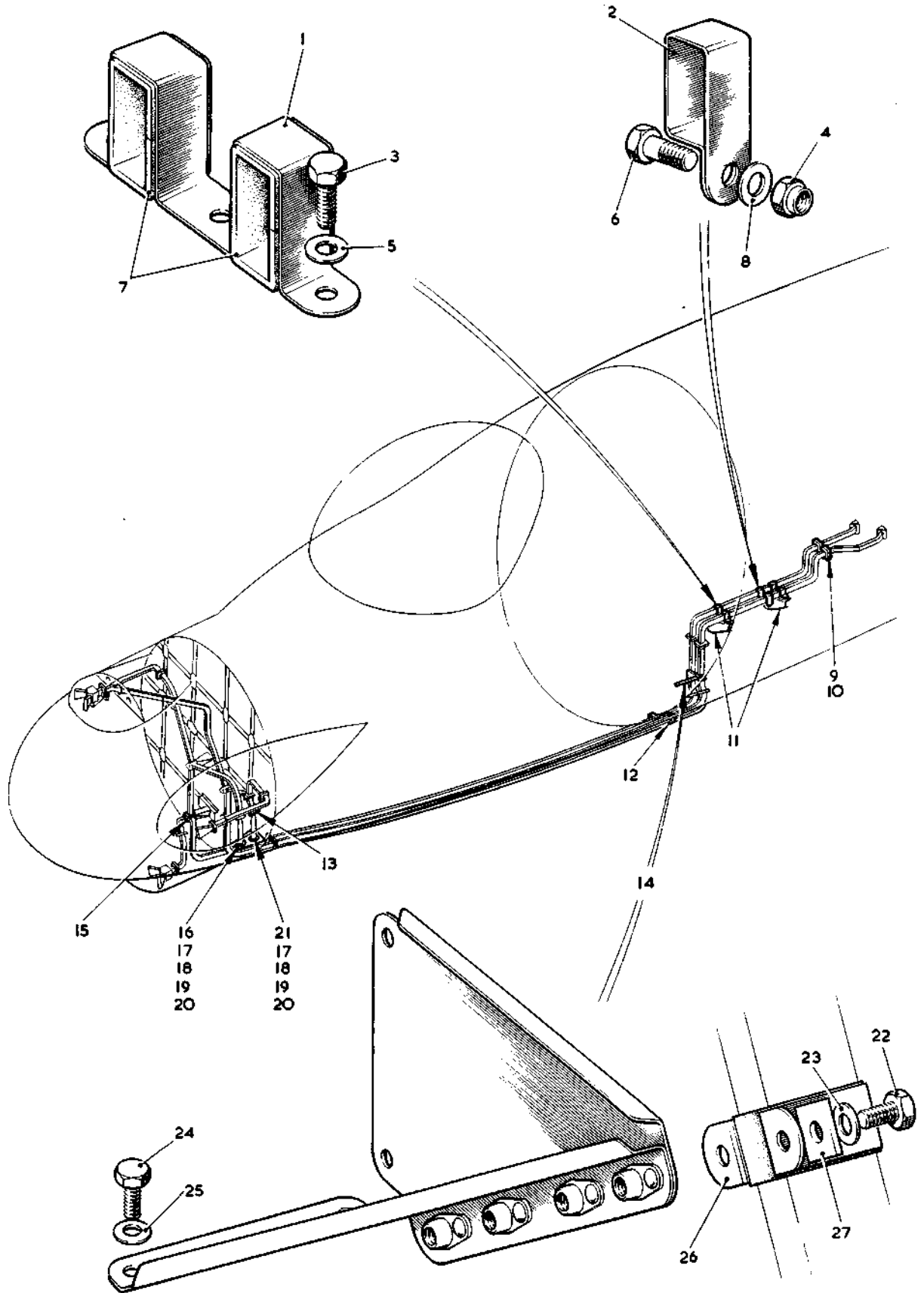


FIG.20 ELECTRONIC EQUIPMENT IN FRONT FUSELAGE



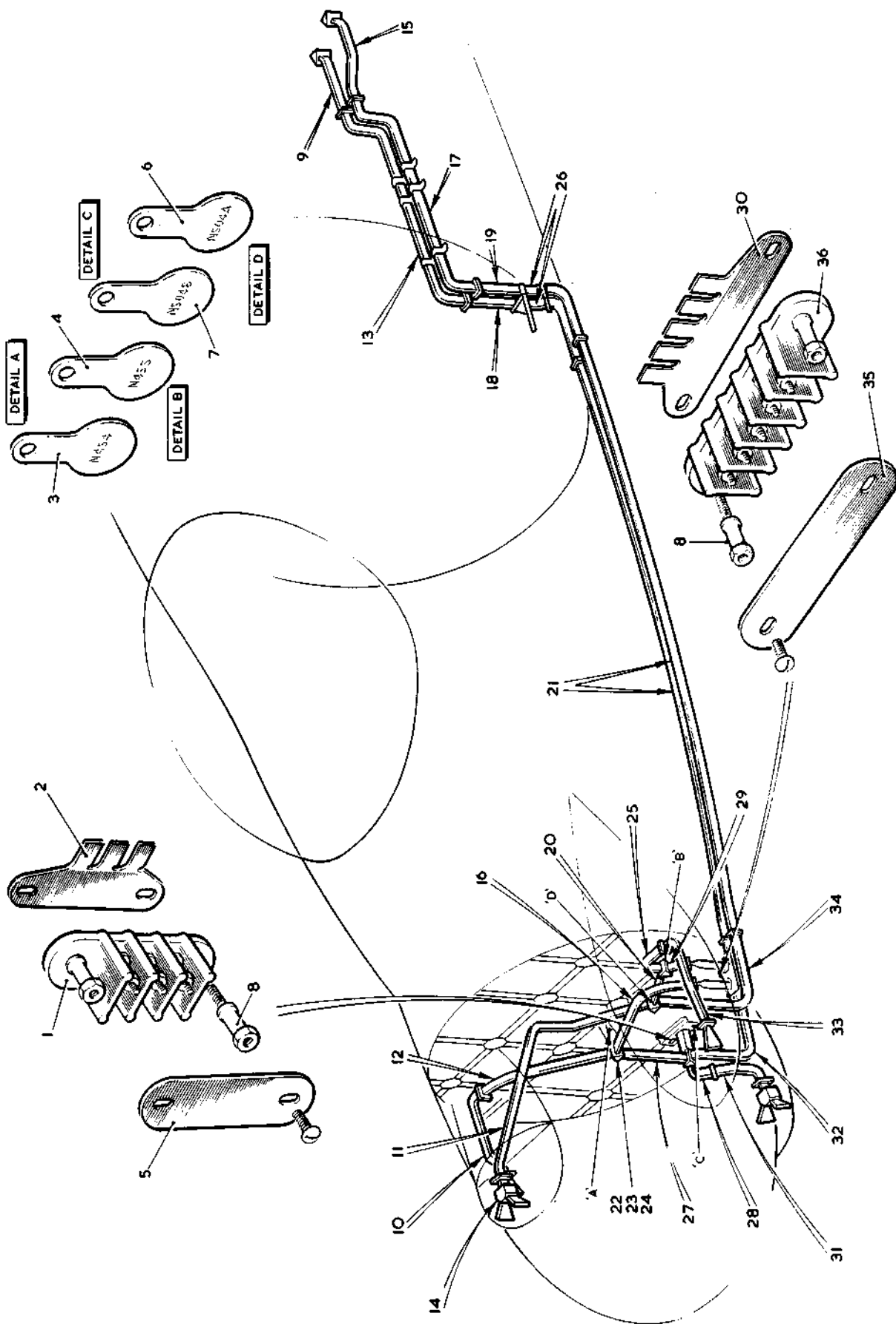


FIG. 21 ELECTRONIC EQUIPMENT IN FRONT FUSELAGE



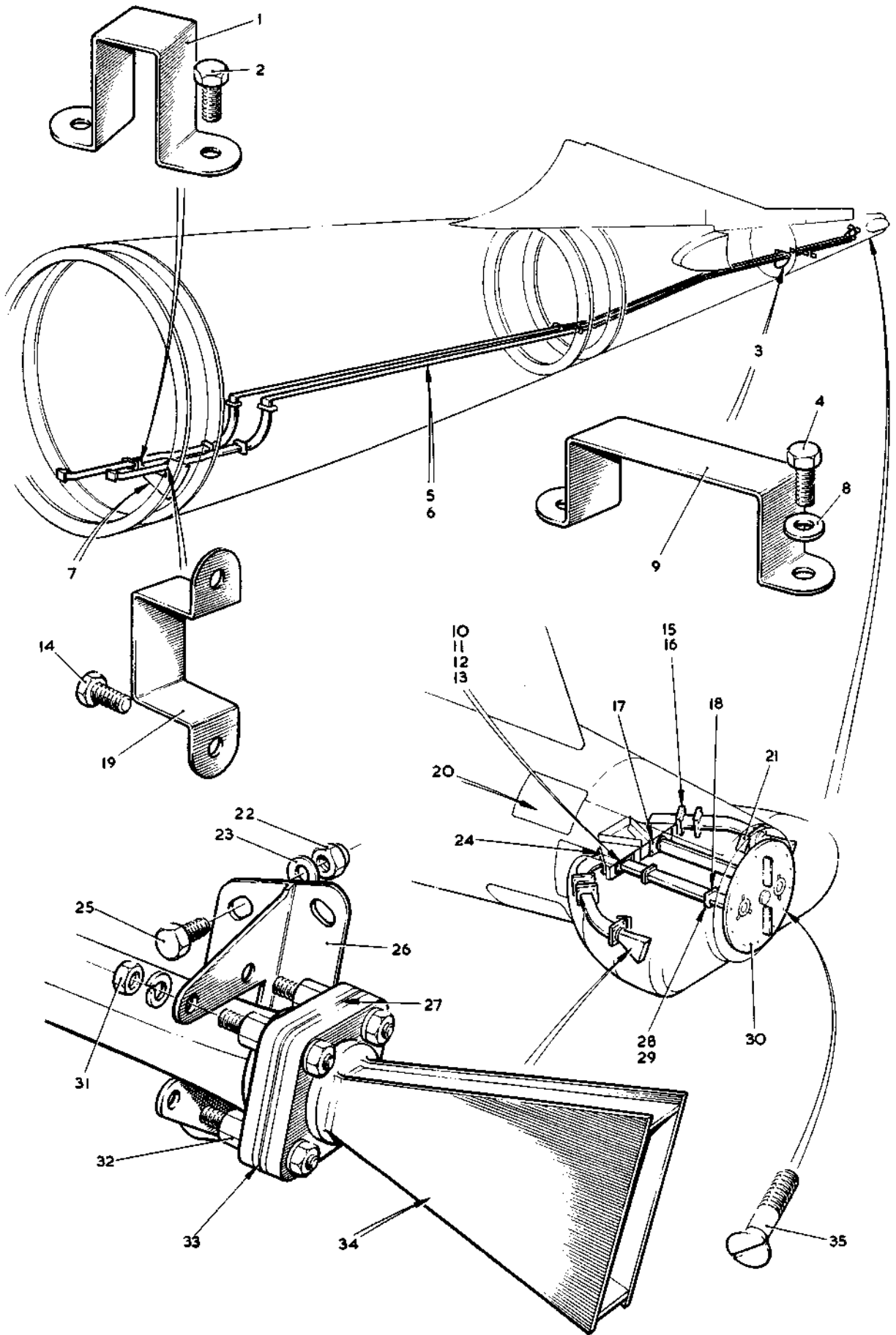


FIG.22 ELECTRONIC EQUIPMENT IN REAR FUSELAGE



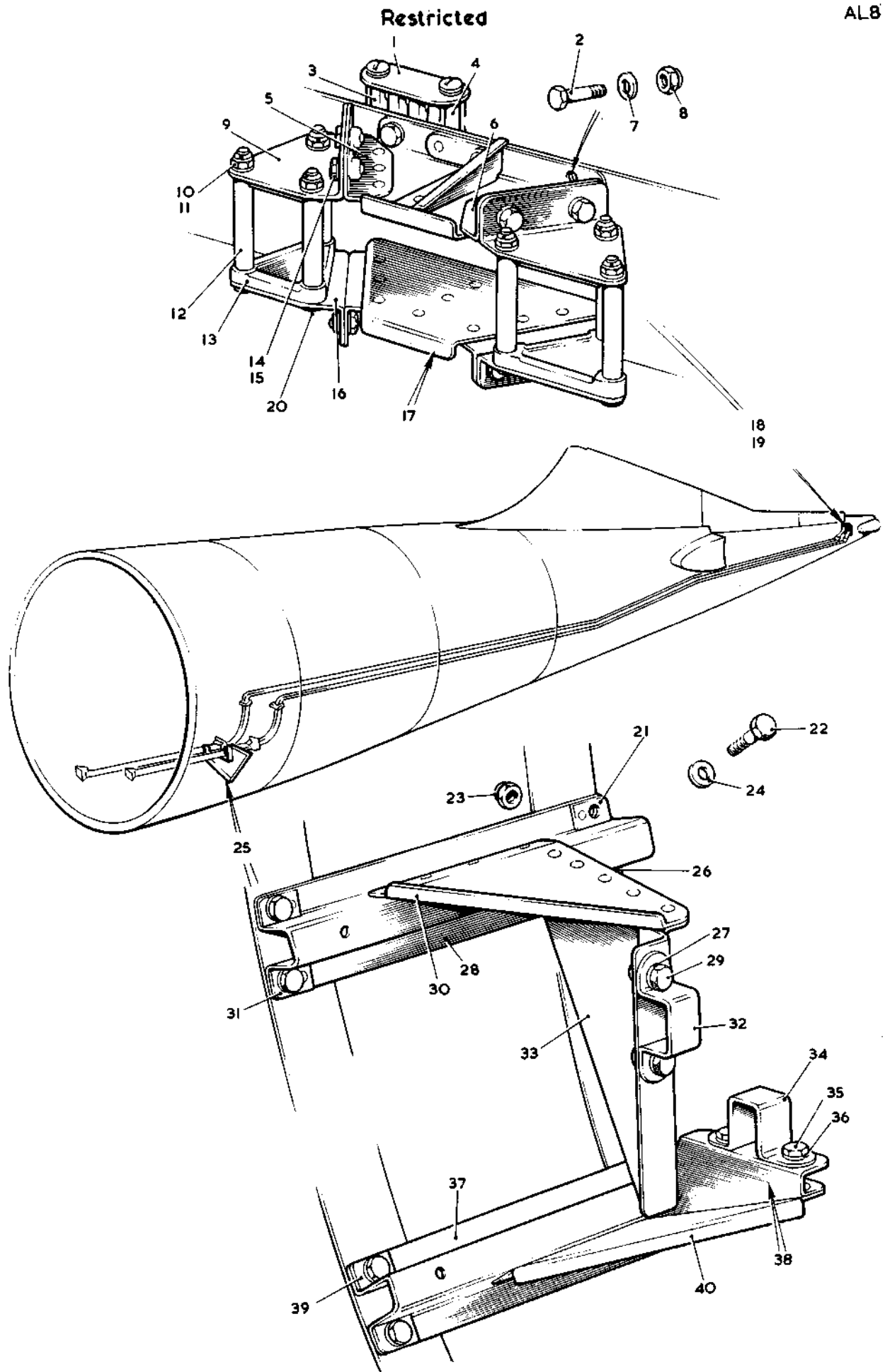


FIG.23 ELECTRONIC EQUIPMENT IN REAR FUSELAGE

Restricted



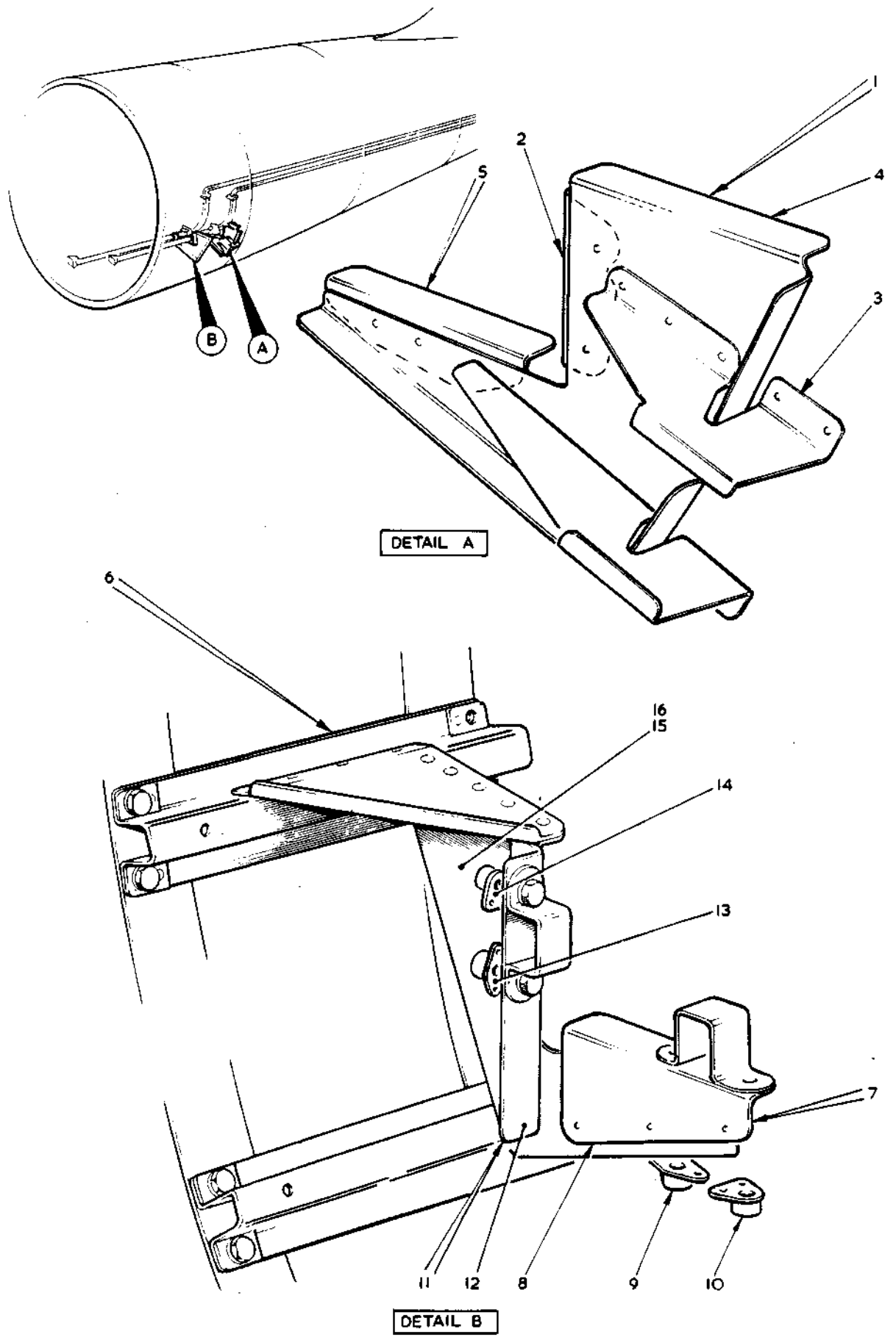


FIG.23A ELECTRONIC EQUIPMENT IN REAR FUSELAGE



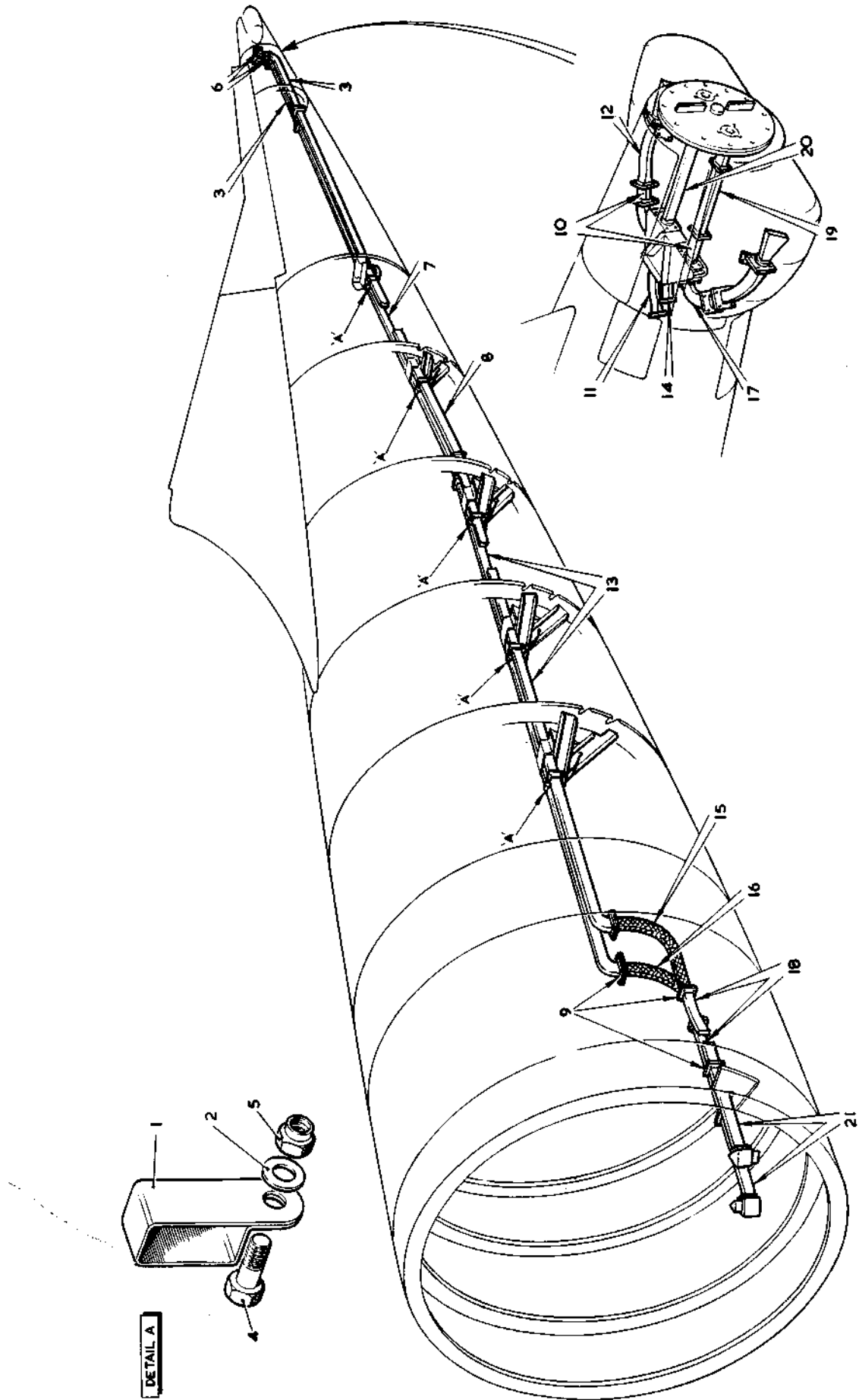


FIG.24 ELECTRONIC EQUIPMENT IN REAR FUSELAGE
Restricted



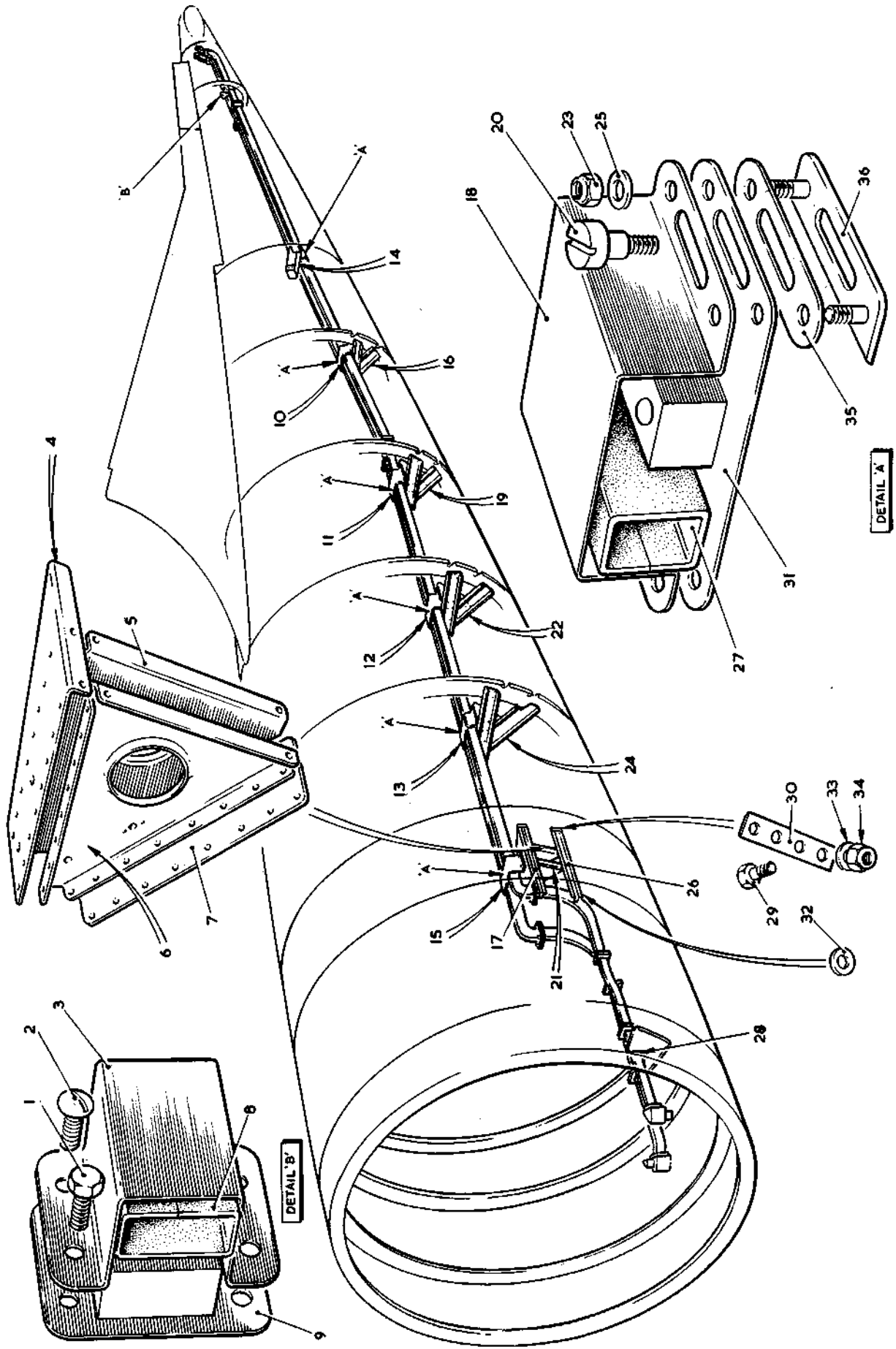


FIG.25 ELECTRONIC EQUIPMENT IN REAR FUSELAGE



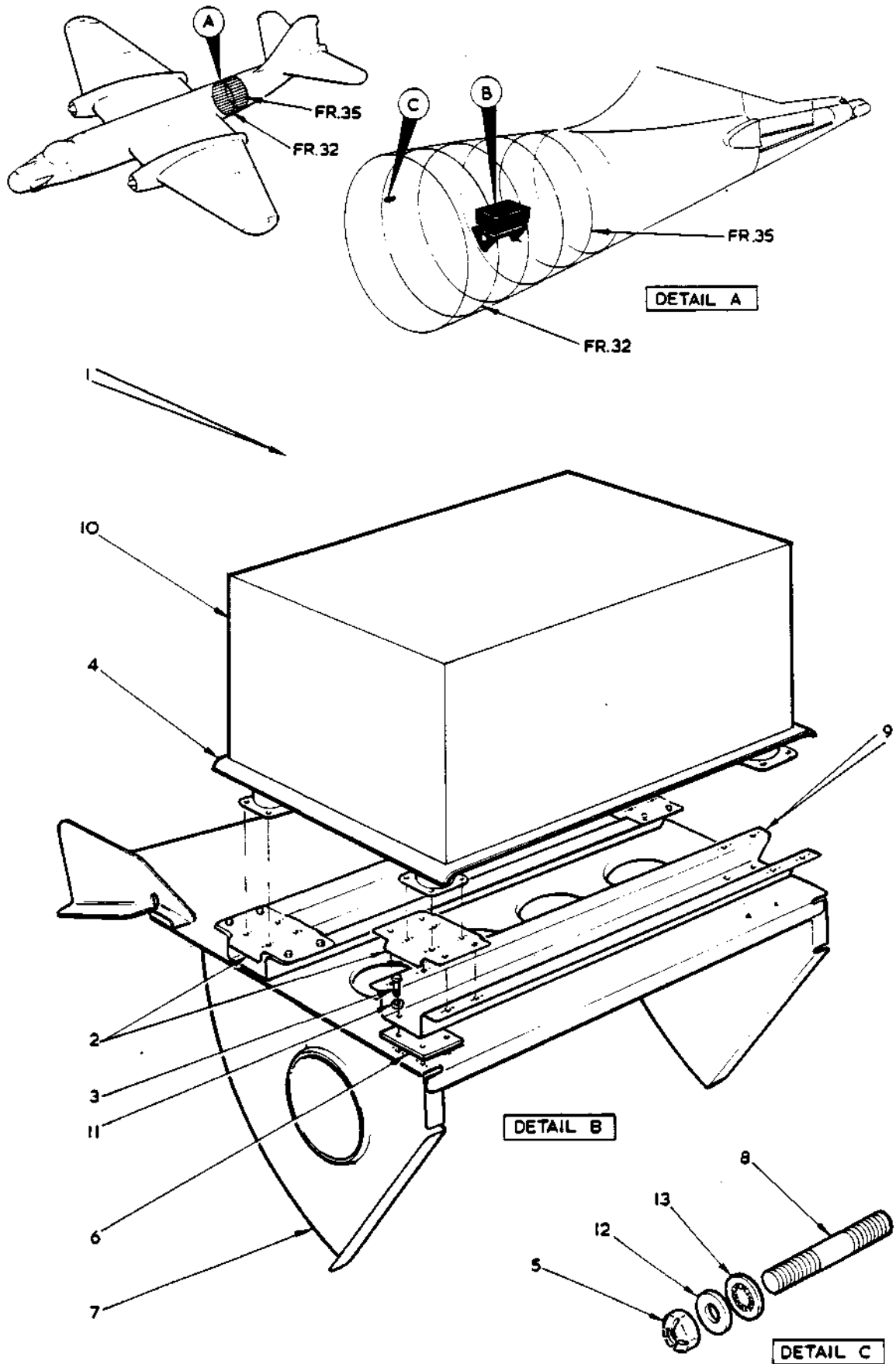


FIG 25A ELECTRONIC EQUIPMENT IN REAR FUSELAGE

T MK 17 SECT M



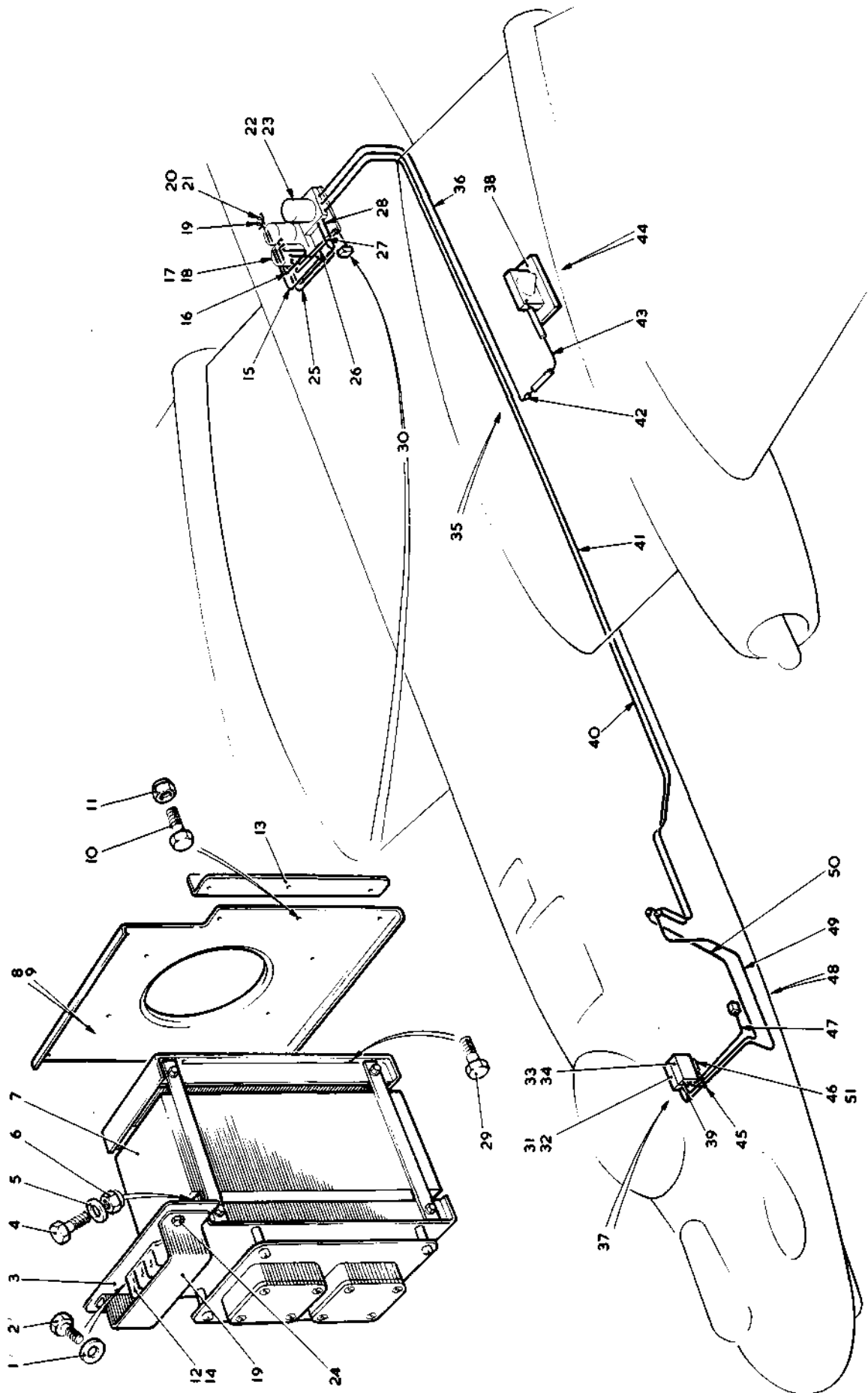


FIG.26 RADIO AND RADAR GREEN SATIN (ARI.585I)



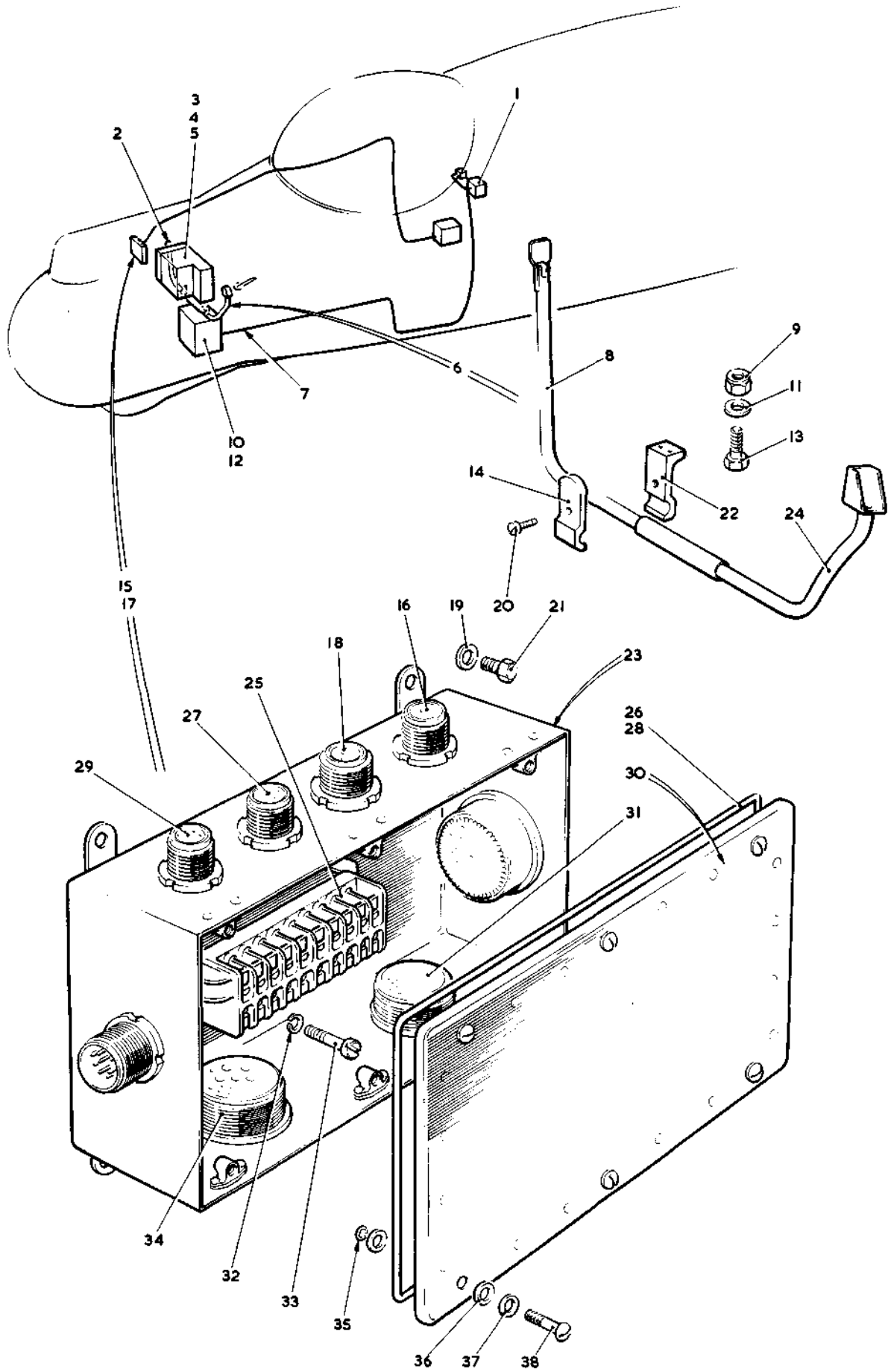


FIG.27 RADIO AND RADAR H.F. RADIO INSTALLATION (ARI.23090)



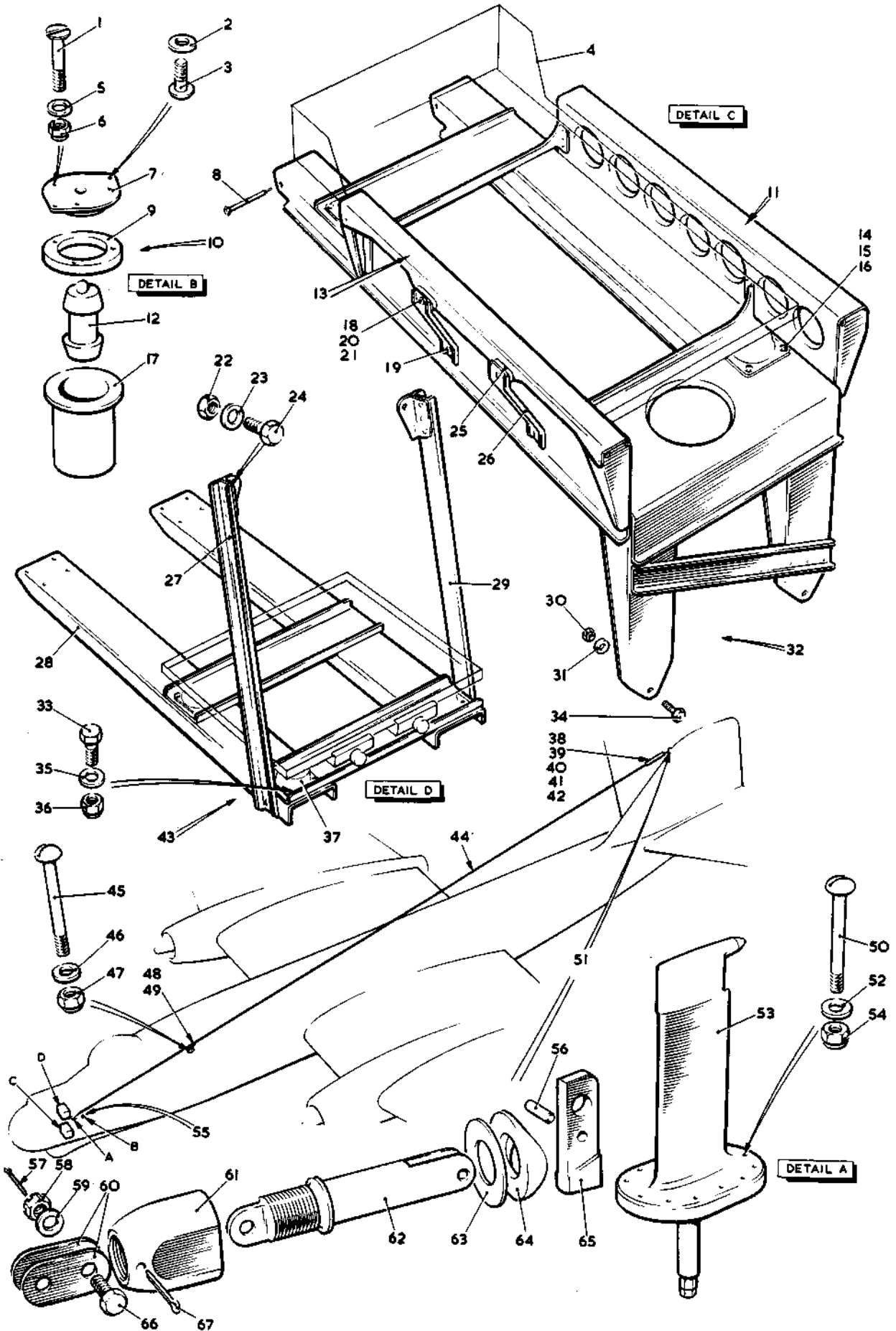


FIG.28 RADIO AND RADAR H.F. RADIO INSTALLATION (ARI.23090)



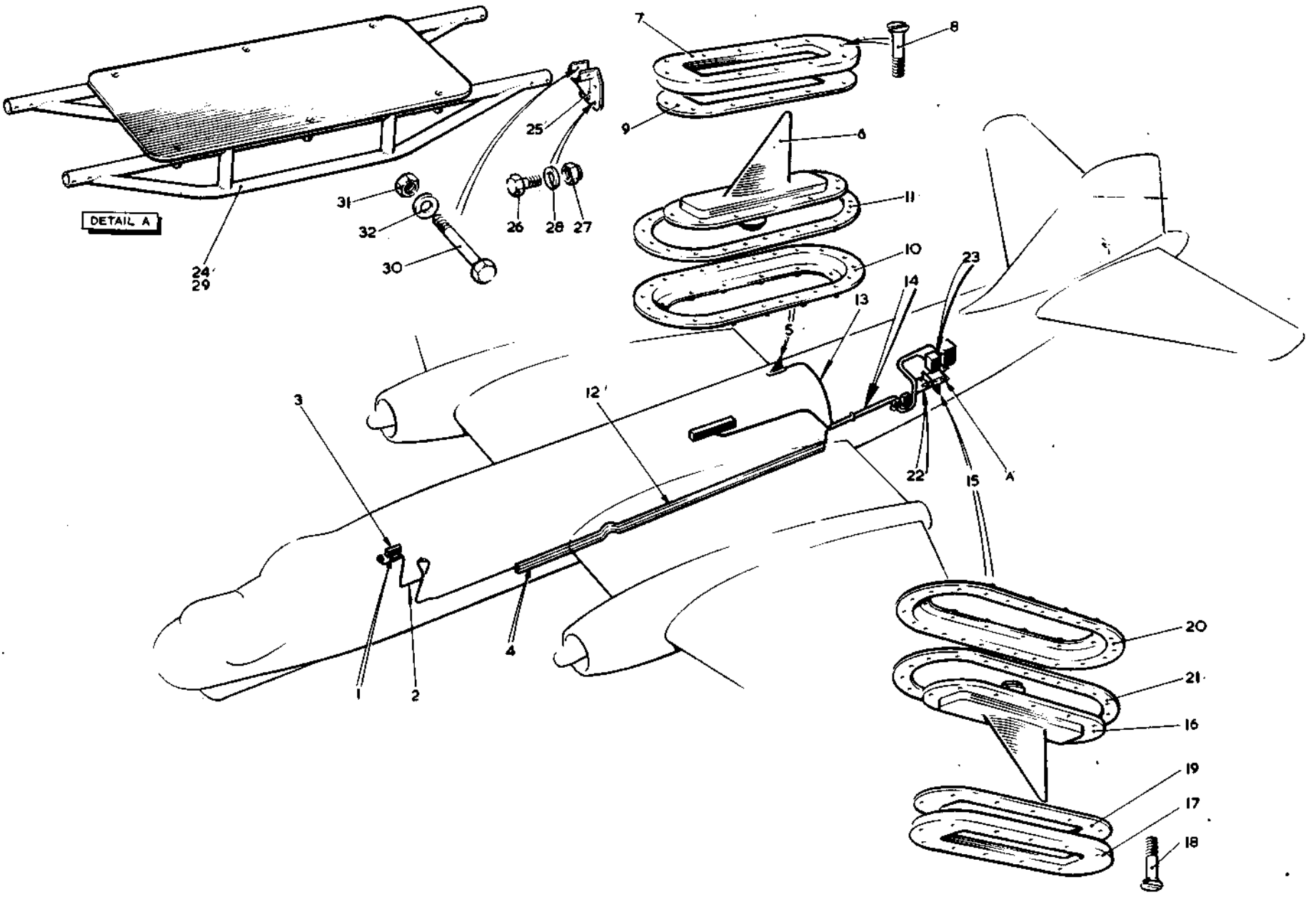


FIG. 29. 1520. I.F.F./SSR. (A.R.I. 23134).
Restricted

T.M.K.I7/SECT M

Restricted

A.L. 6



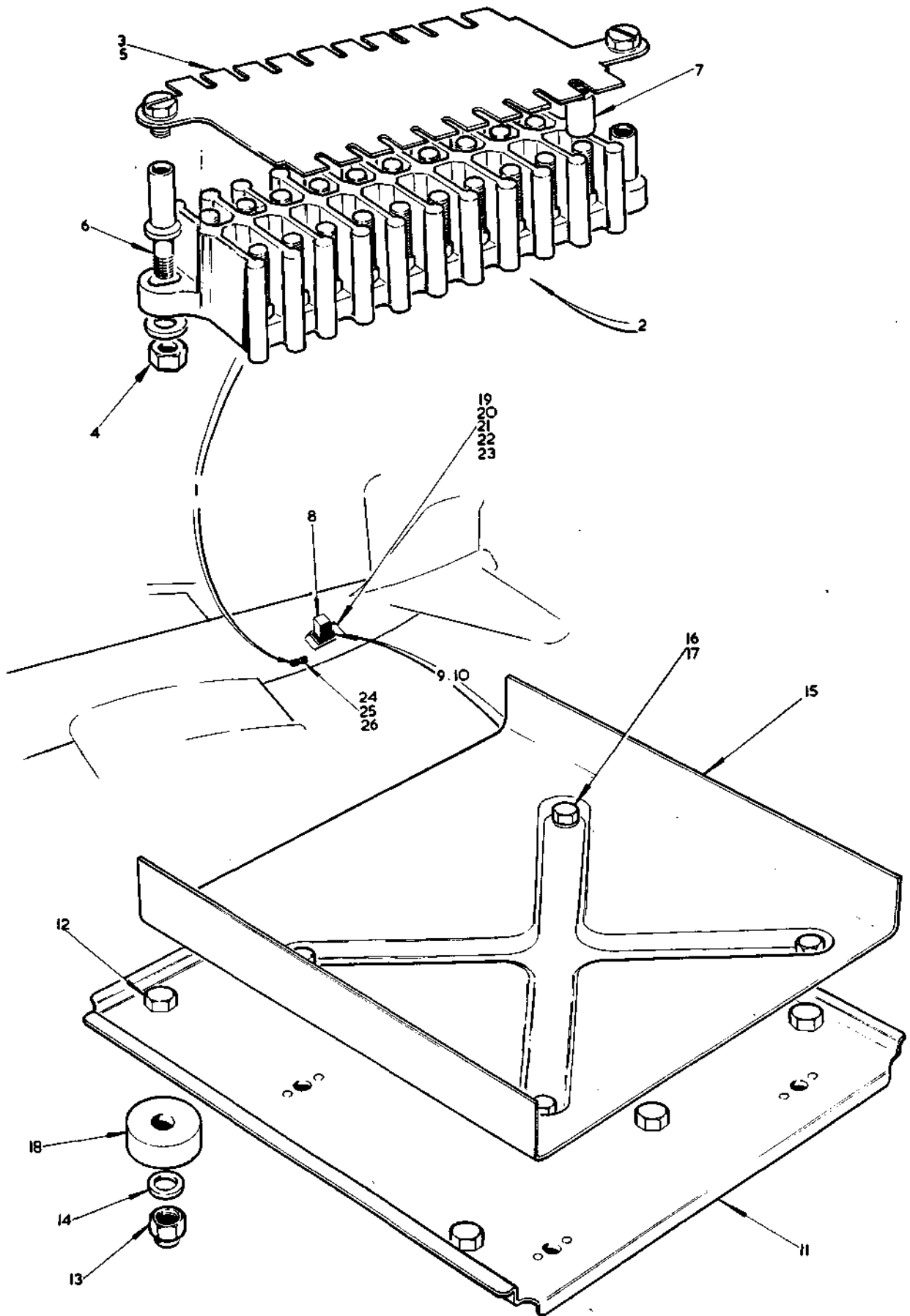


FIG 30. 1520. I.F.F./SSR.(A.R.I.23134).
Restricted

T.MK 17. SECT M.



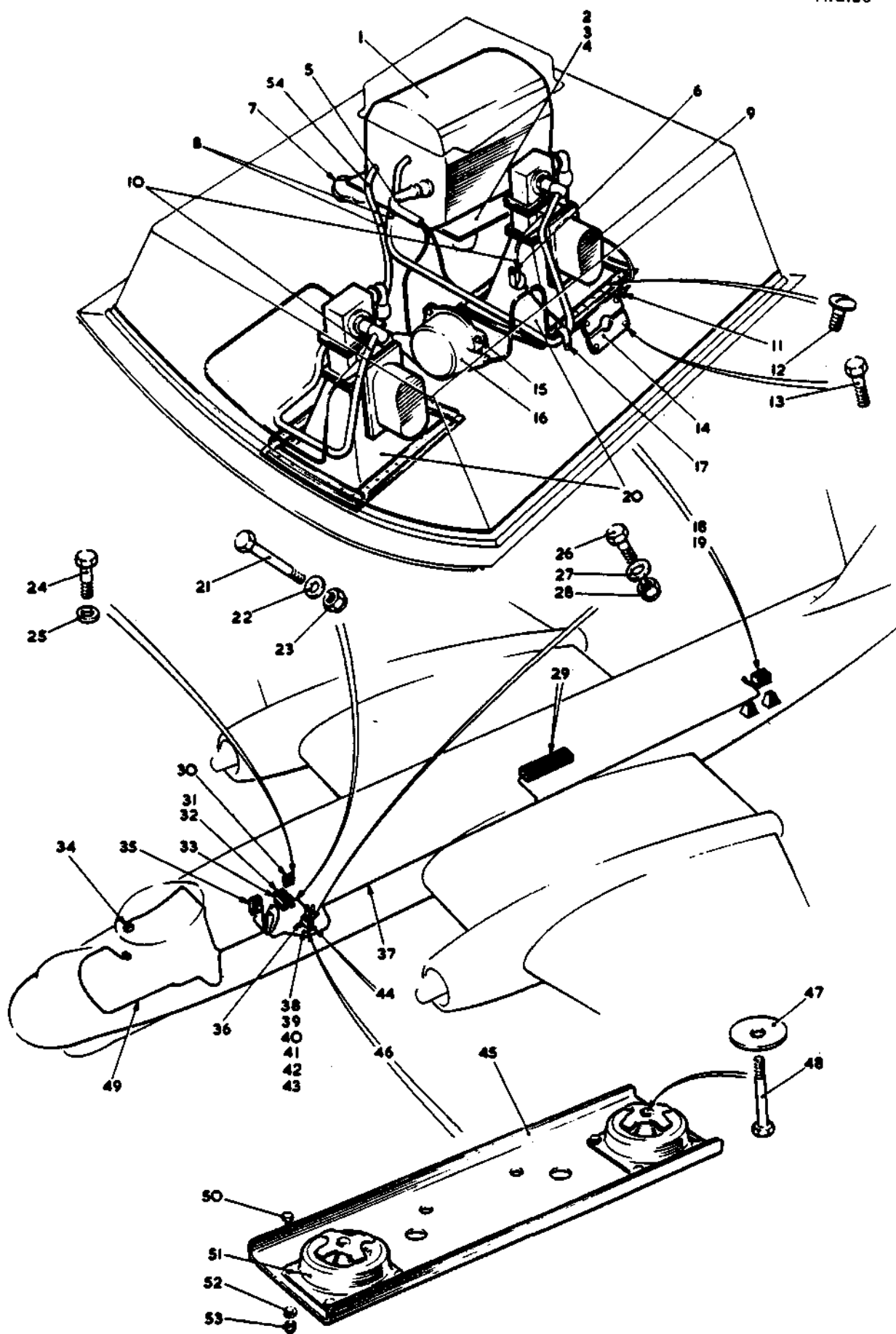


FIG.31 RADIO AND RADAR RADIO ALTIMETER

Restricted



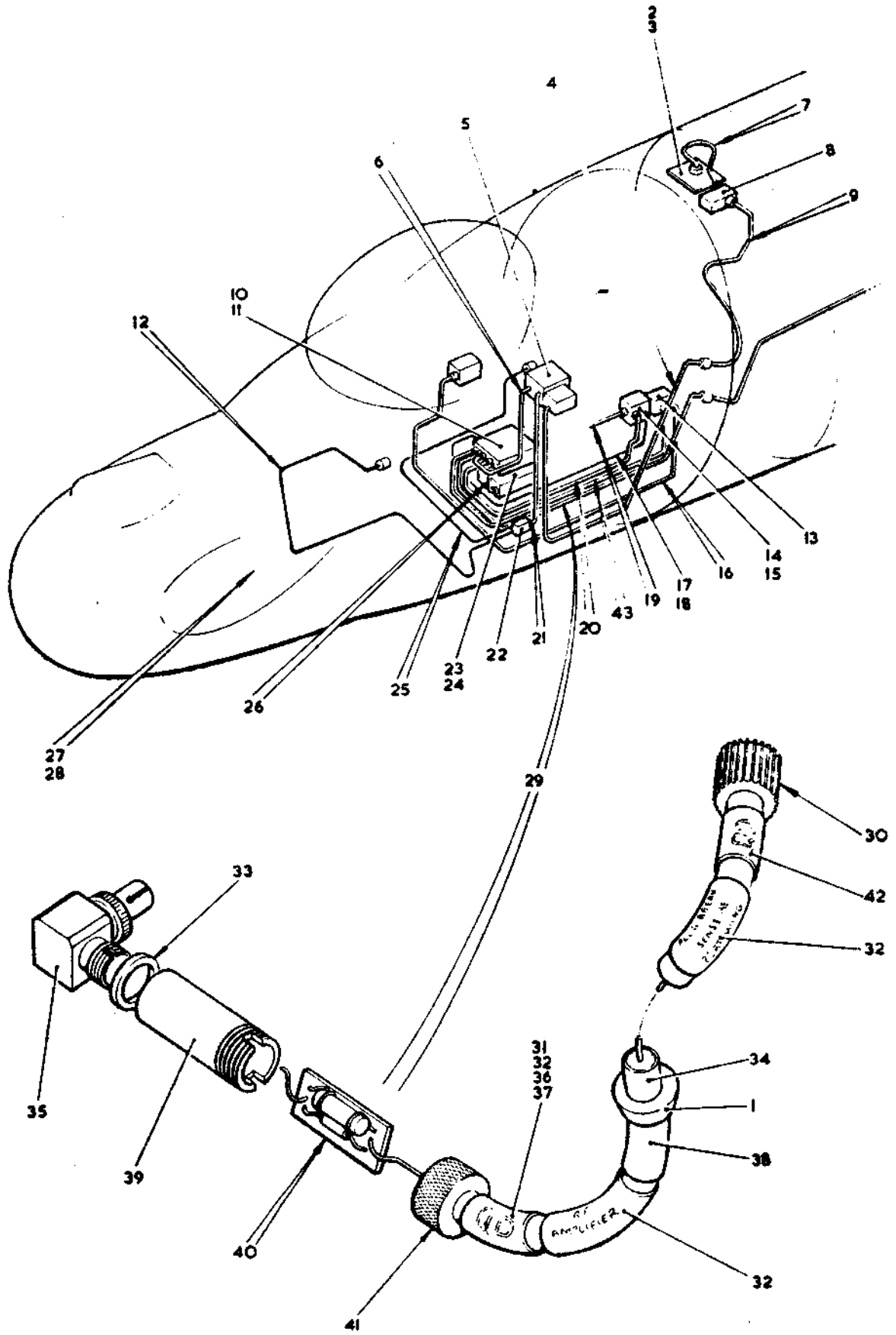
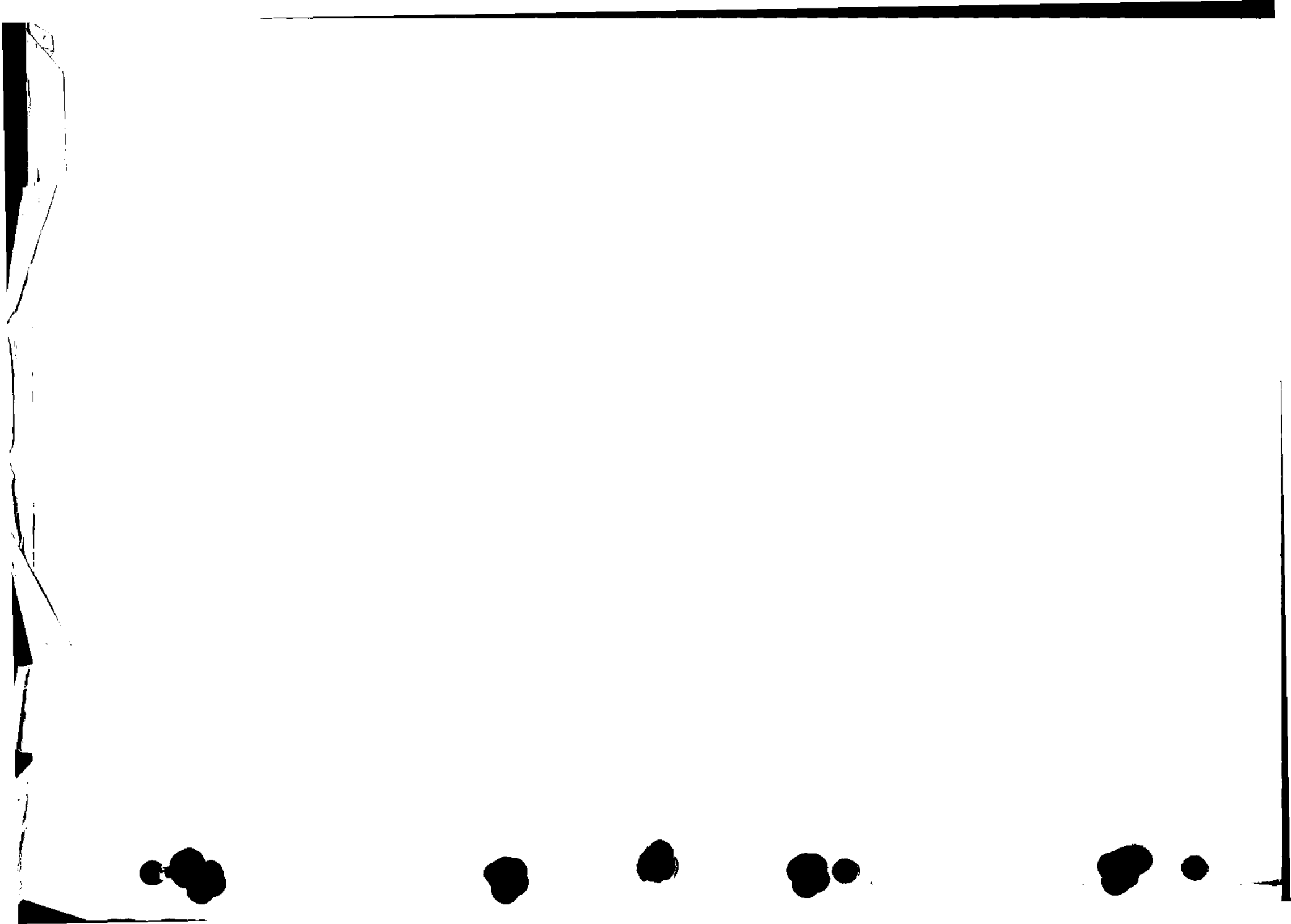


FIG 32 RADIO COMPASS (ARI.5877)
Restricted



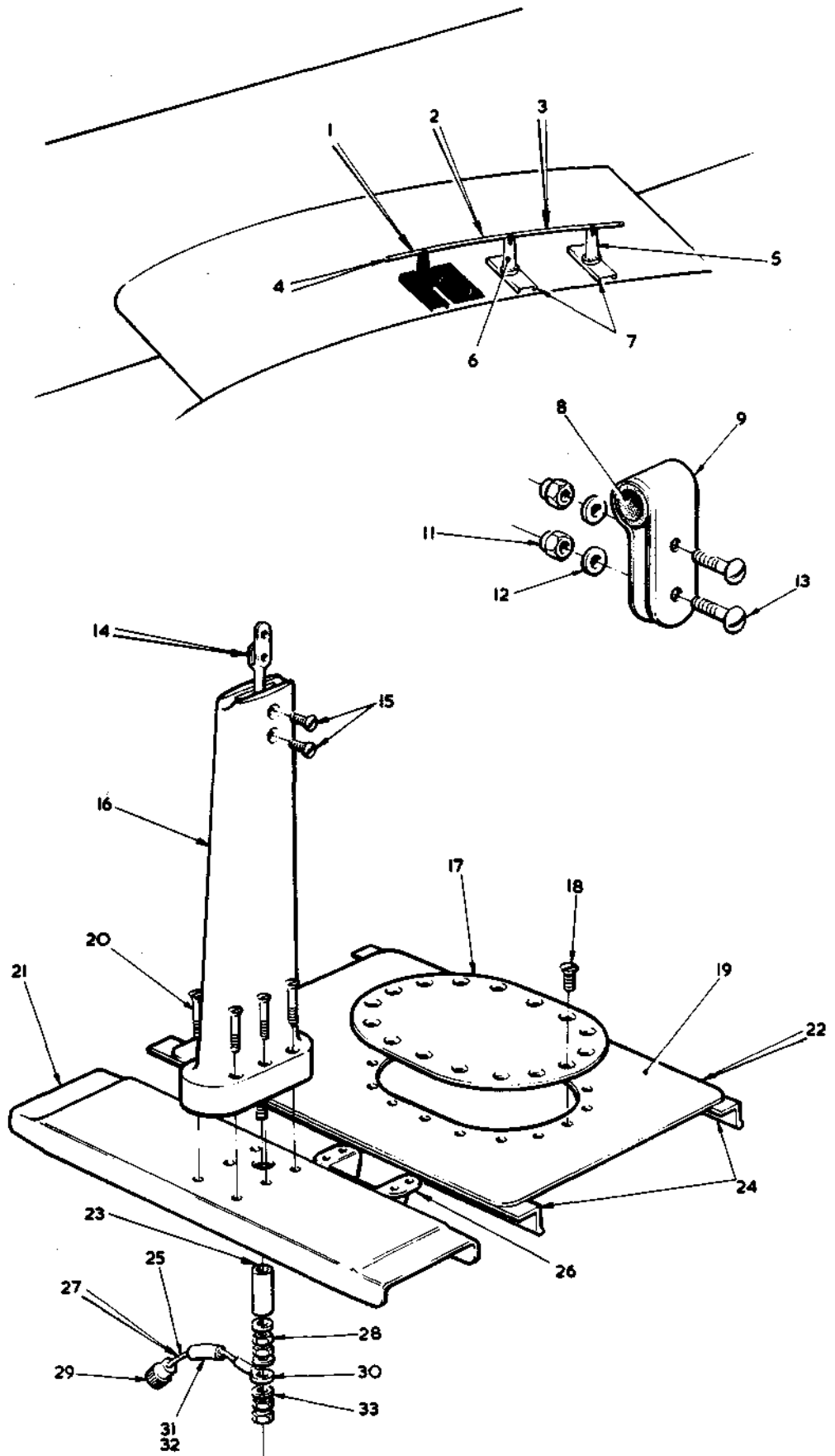


FIG. 33 RADIO COMPASS (ARI.5877)



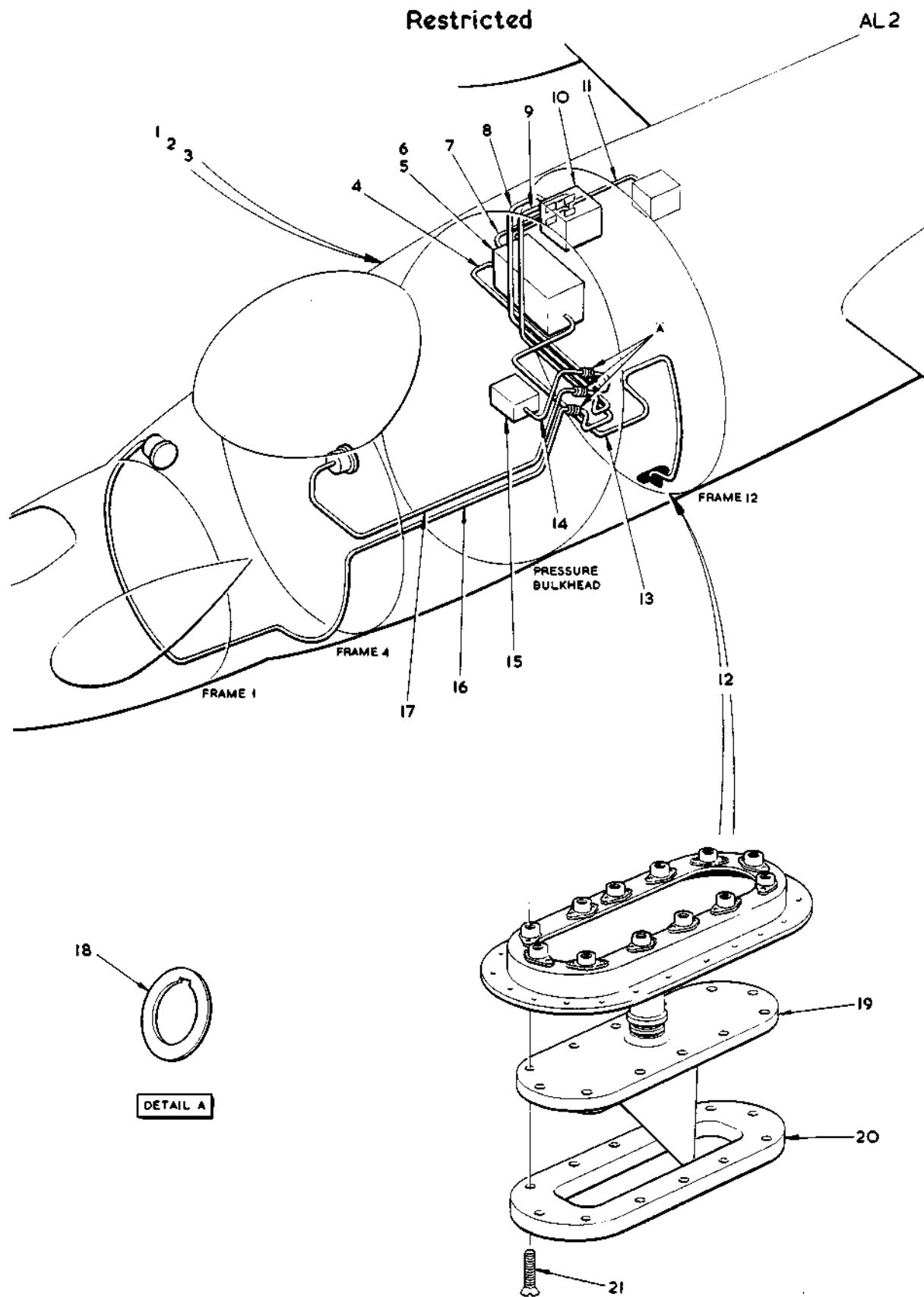


FIG. 34 TACAN (A.R.I. 18107/4)
Restricted



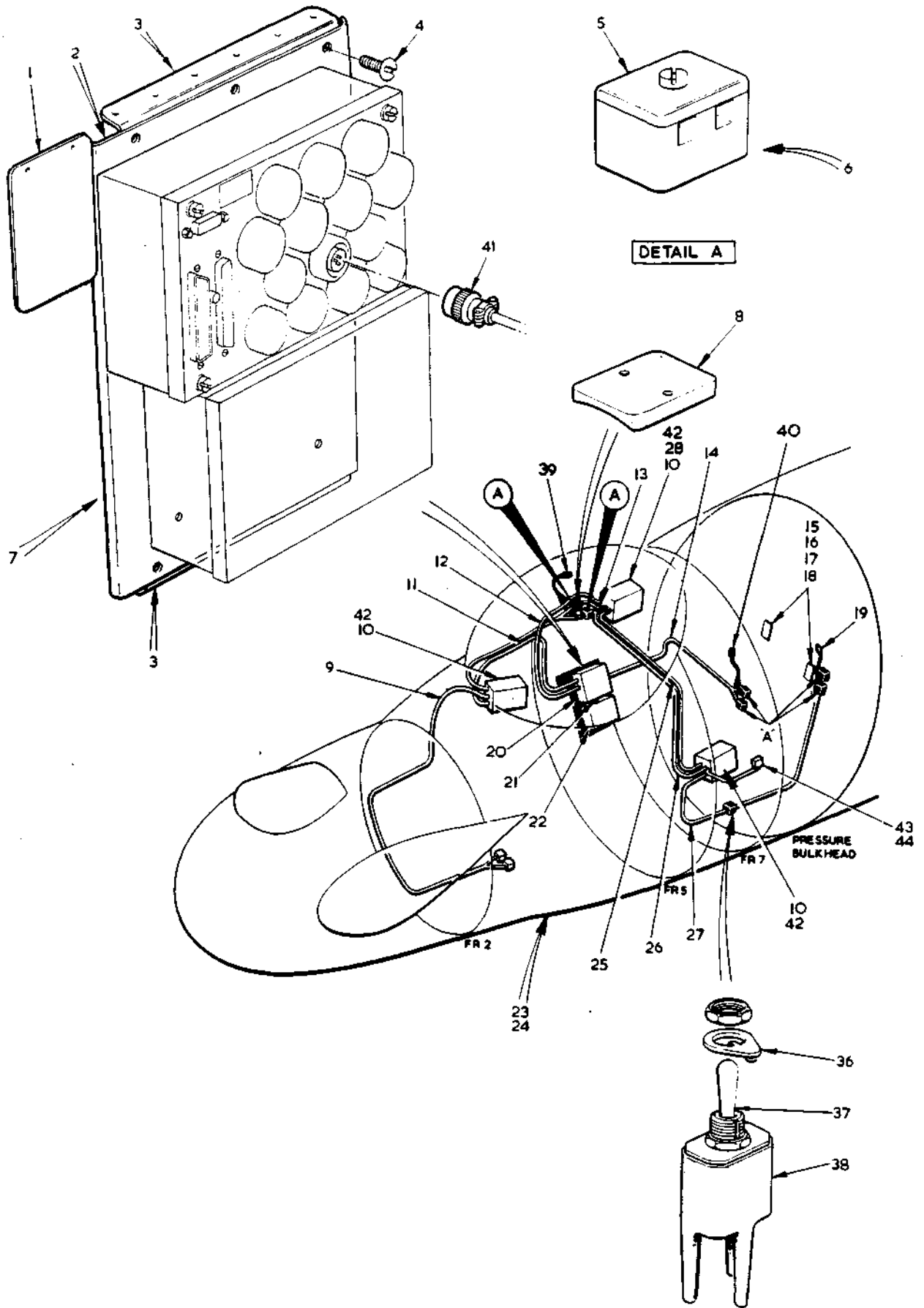


FIG.35 RADIO AND INTERCOM (U.A.60) (ARI.23099/7)



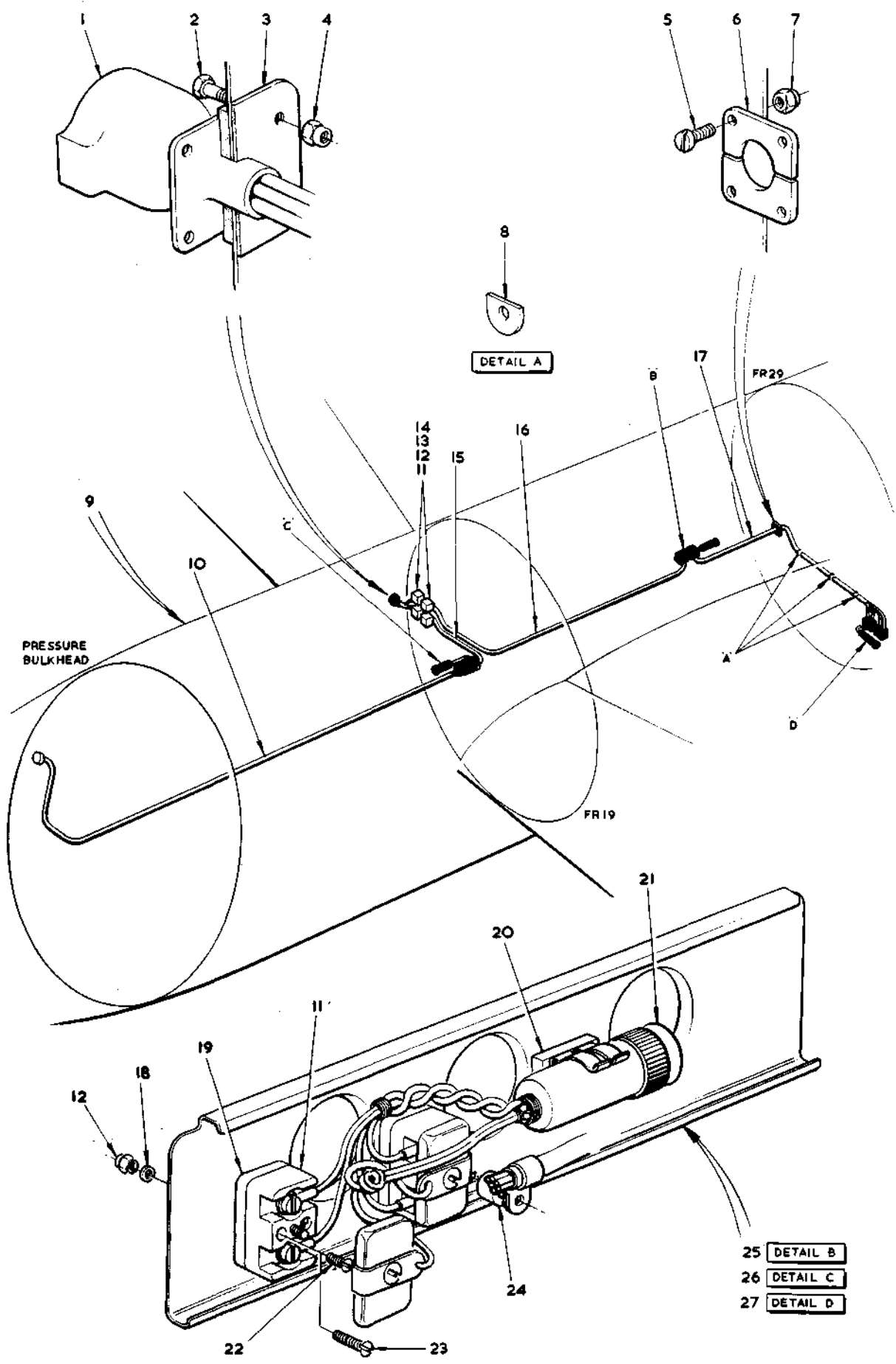


FIG.36 RADIO AND INTERCOM (U.A. 60) (ARI. 23099/7)



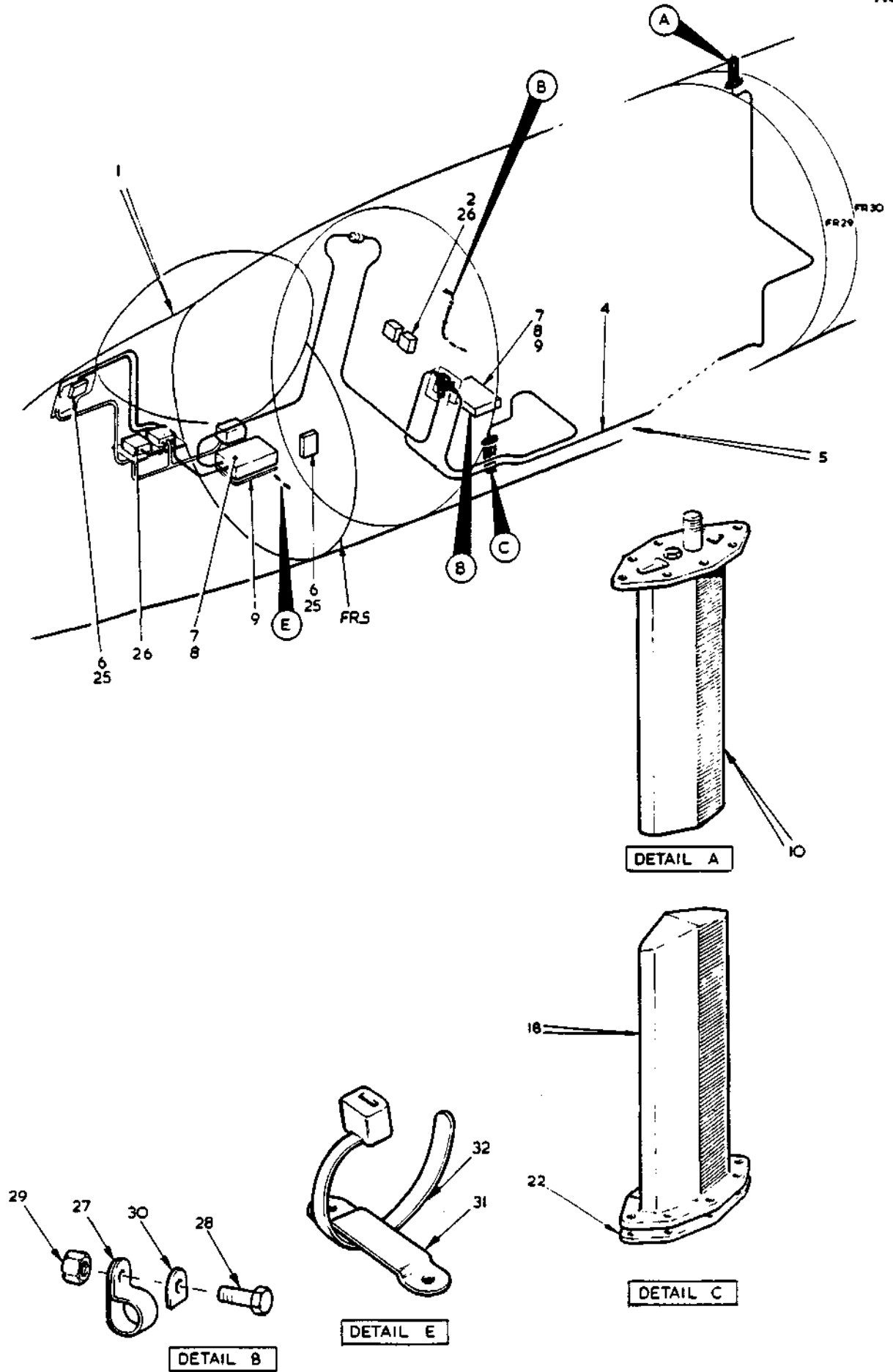


FIG.37 U.H.F. INSTALLATION (ARI.18124/1)

T.MK.17 SECT.M



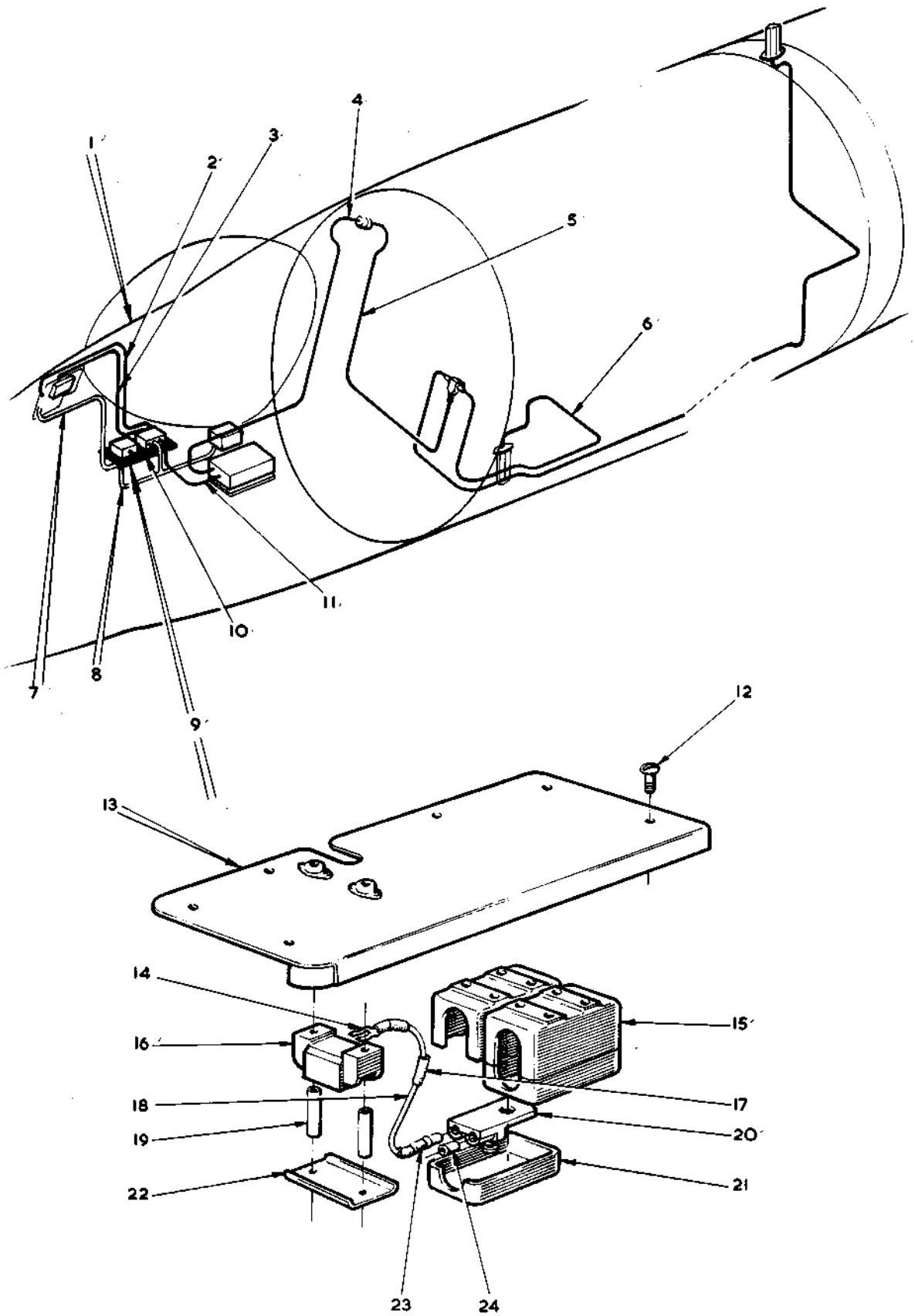


FIG. 38 U.H.F. INSTALLATION (ARI. 18124/1)

Restricted



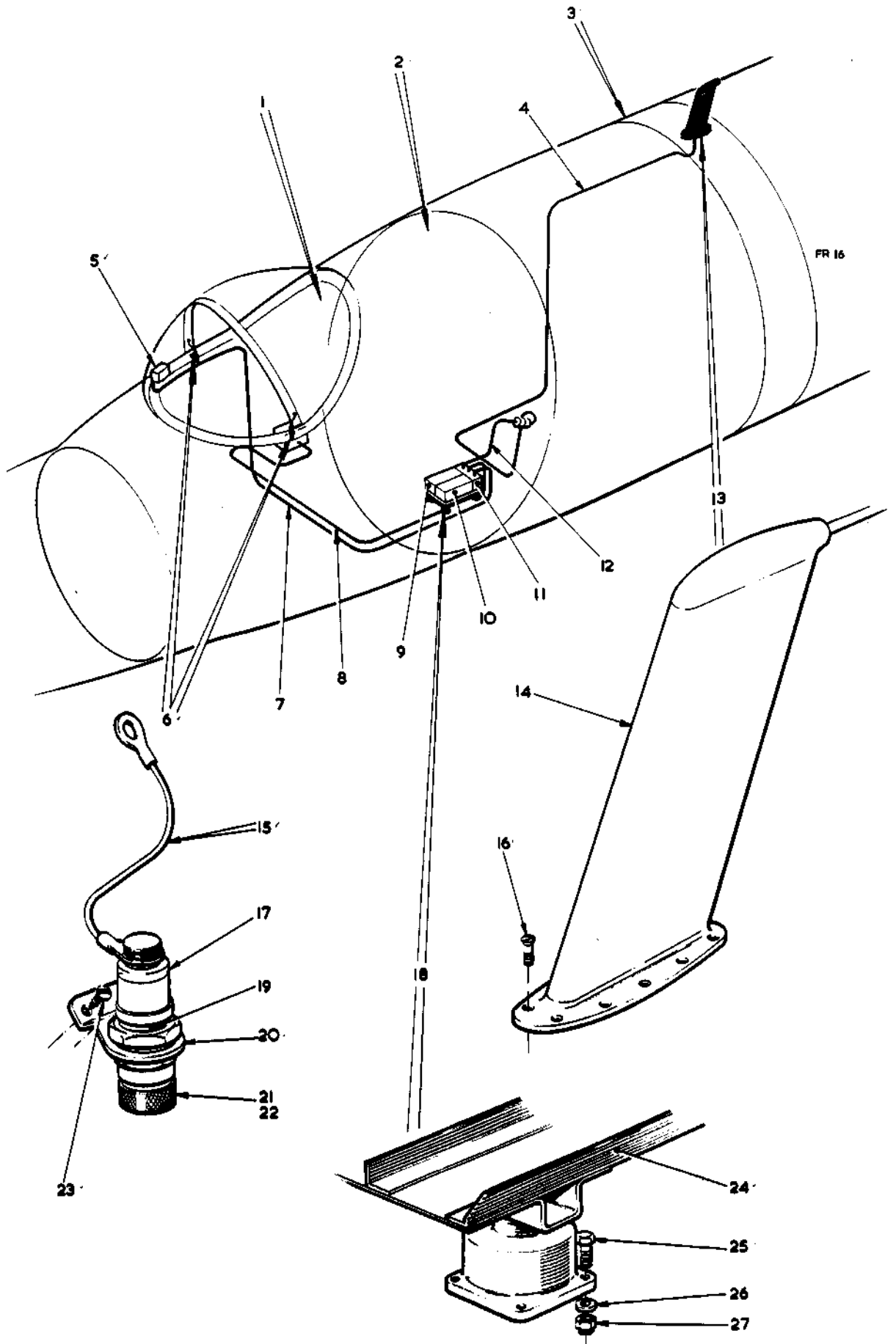


FIG. 39 V.H.F. INSTALLATION (ARI. 23117/1)
Restricted



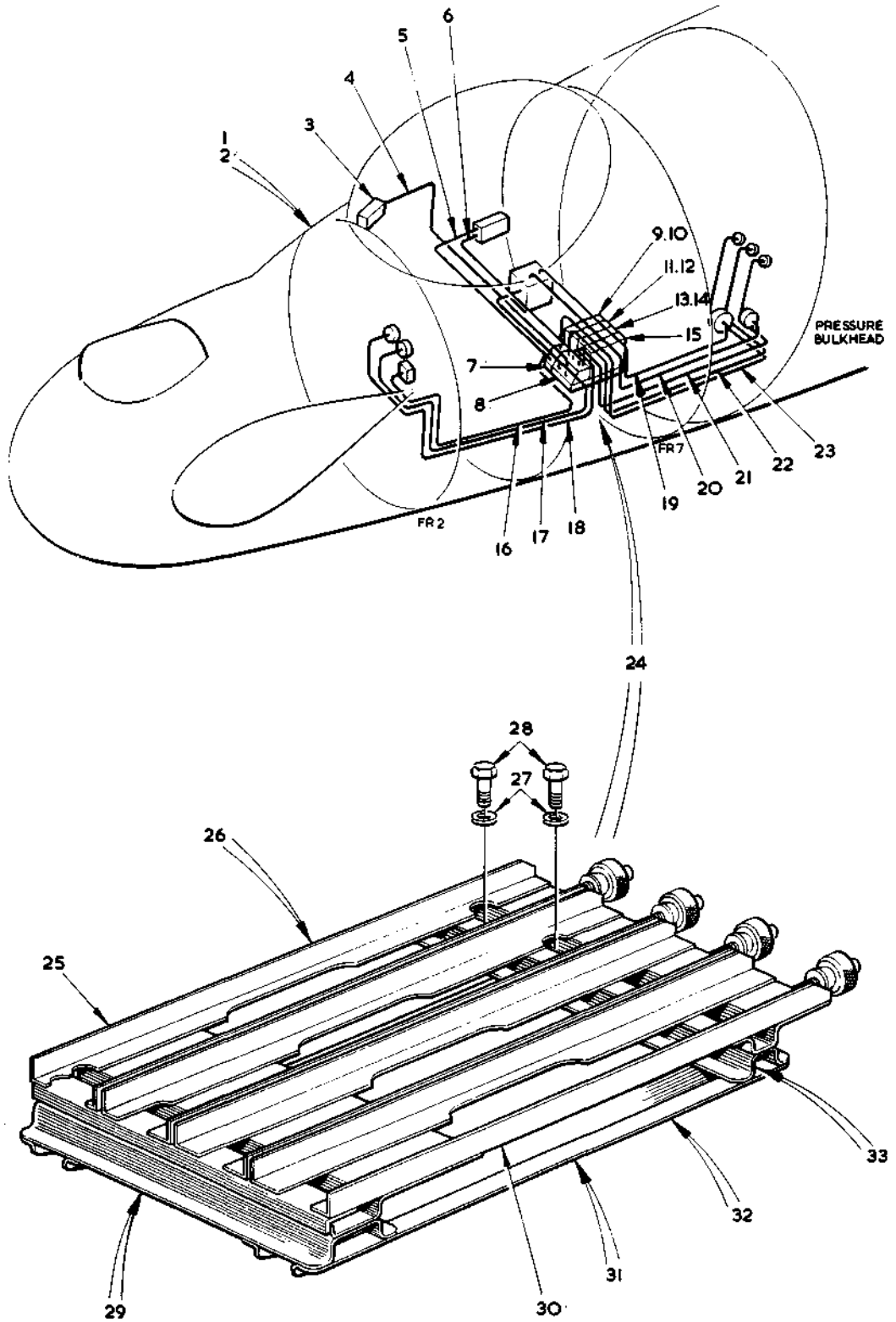


FIG.40 V.O.R./I.L.S. INSTALLATION (ARI.23118)
Restricted



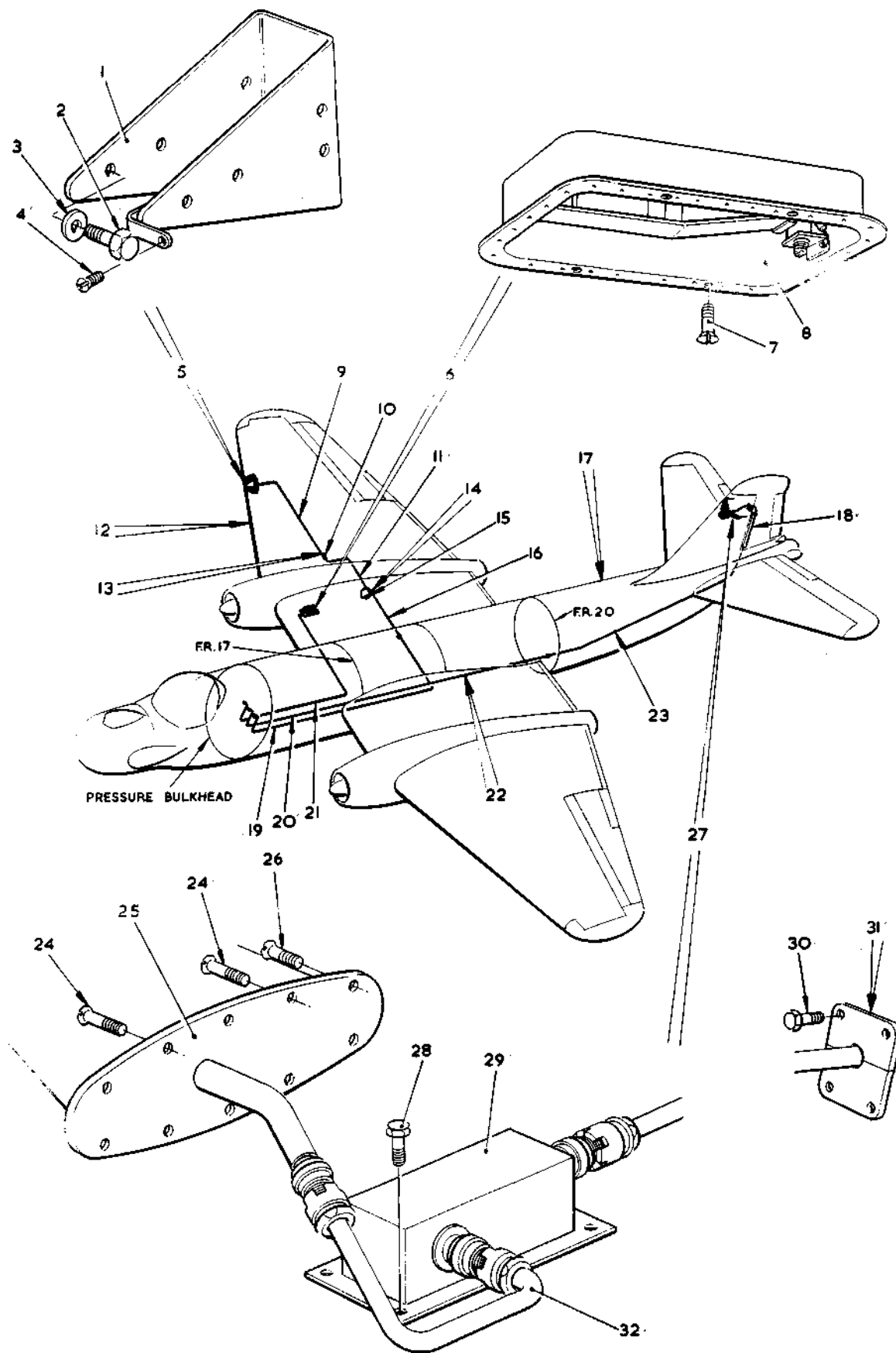
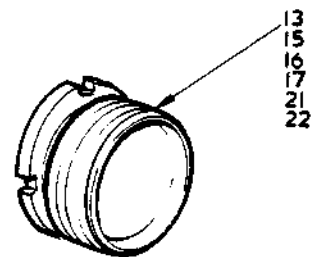
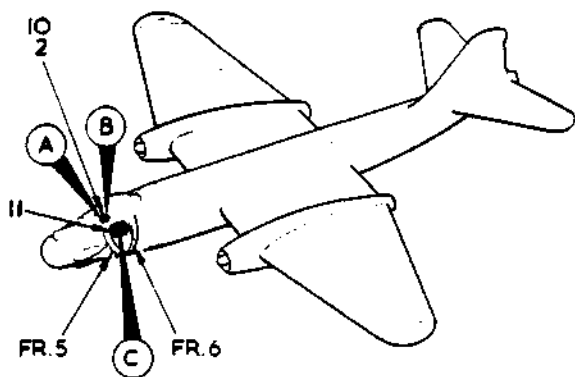
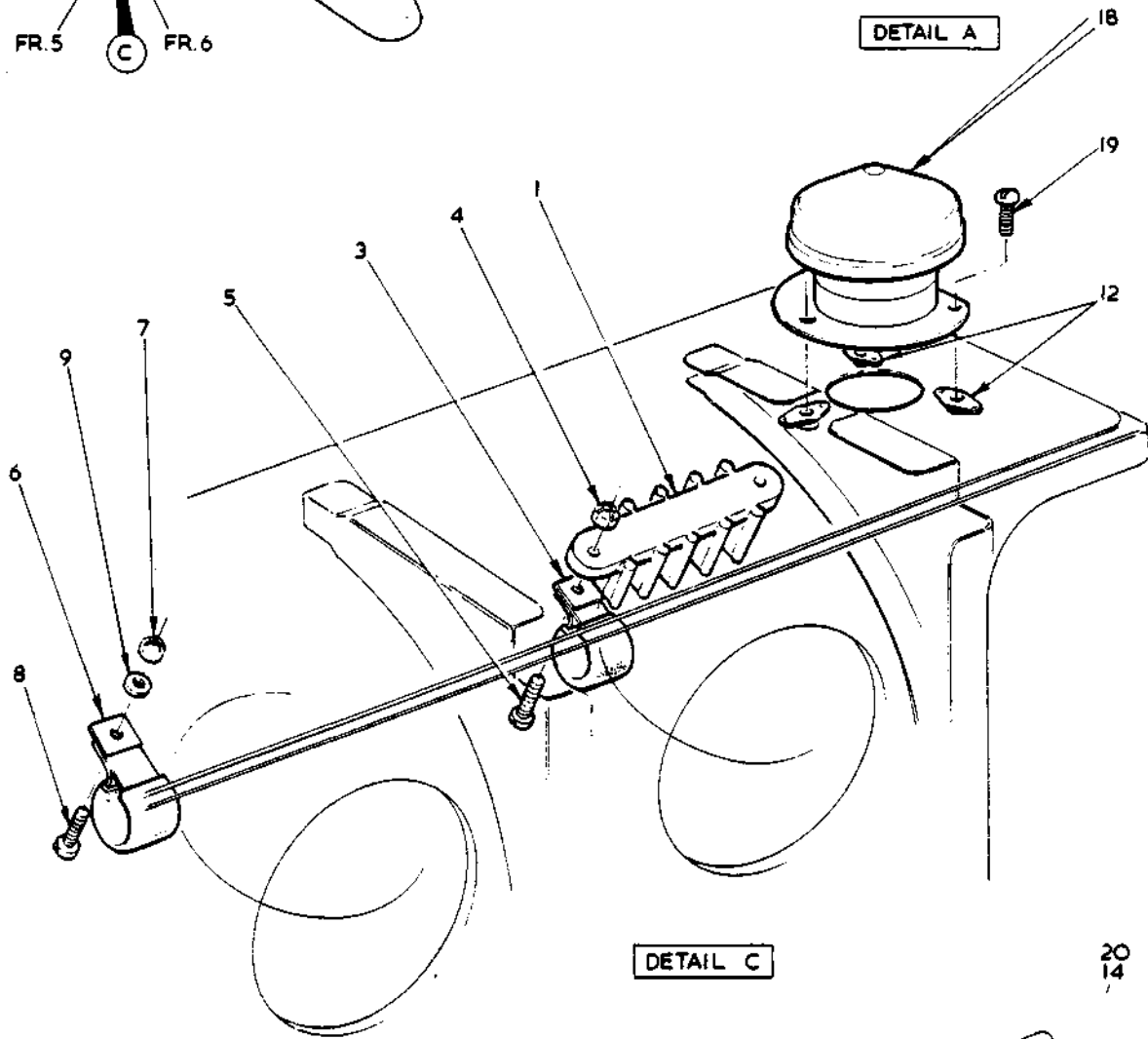


FIG.41 .VOR./I.L.S. INSTALLATION (A.R.I.23118)
Restricted



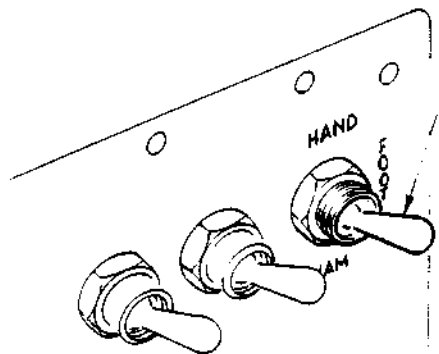
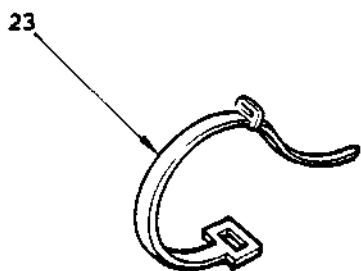


DETAIL A



DETAIL C

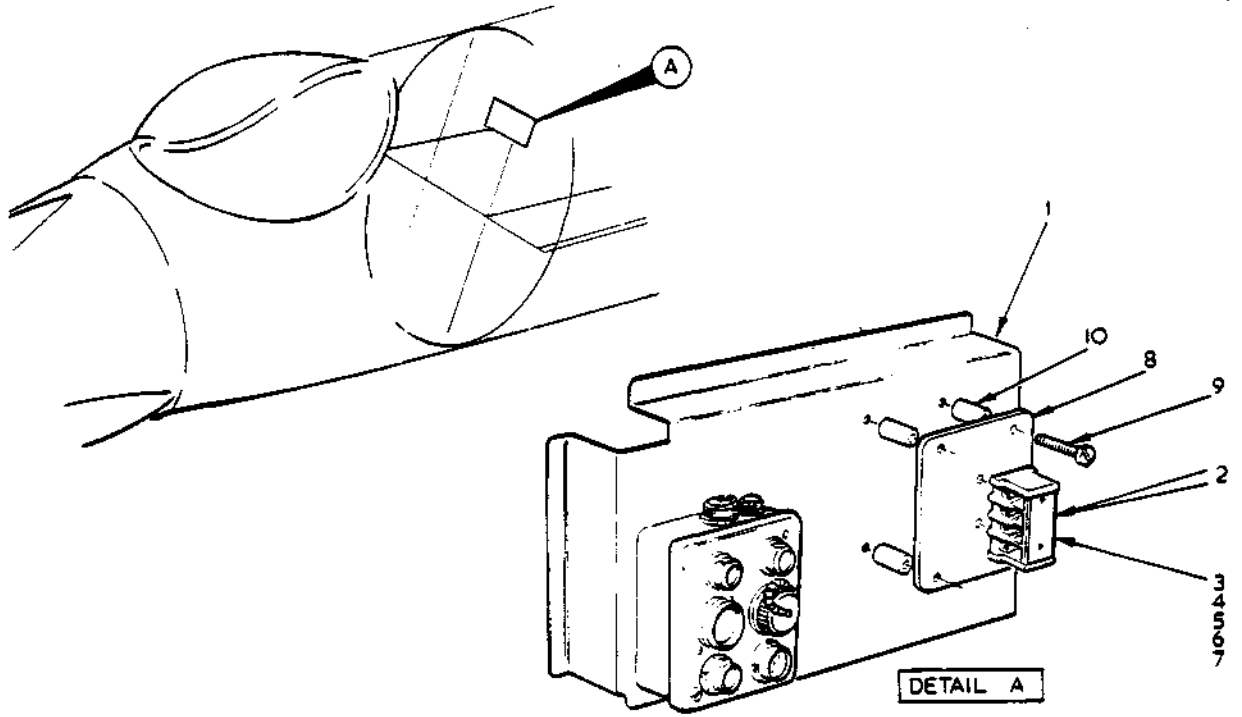
20
14



DETAIL B

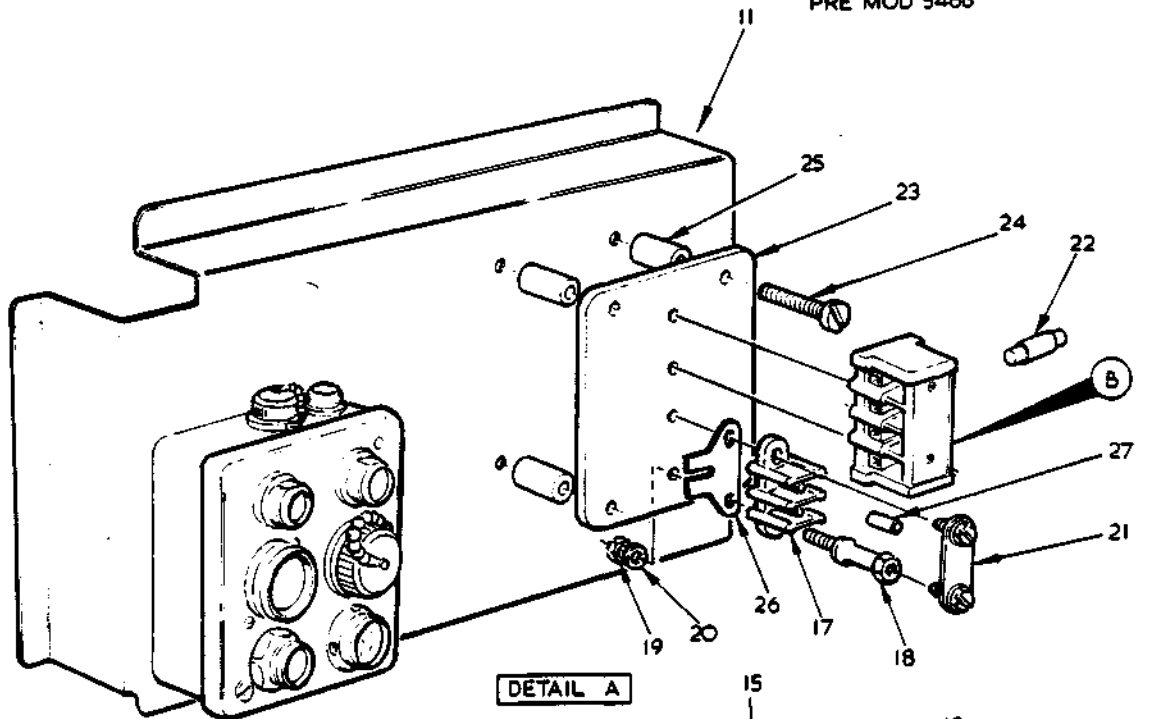
FIG.42 RADIO & INTERCOM (U.A.60) (ARI. 23099/7)





DETAIL A

PRE MOD 5466



DETAIL A

MOD 5466

DETAIL B

FIG.43 RADIO AND RADAR EQUIPMENT



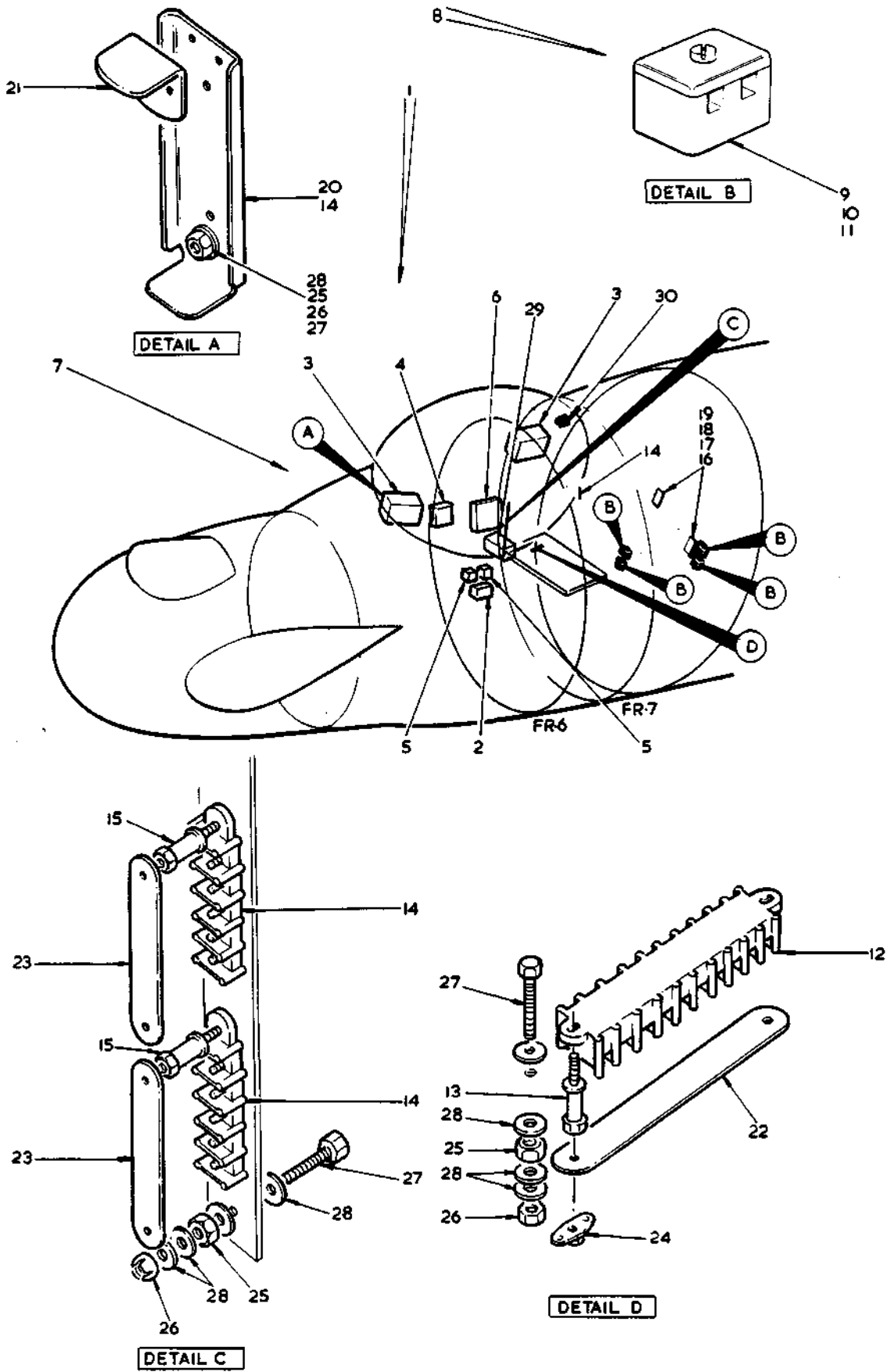


FIG 44 RADIO AND INTERCOM (U.A.60) (ARI.23099/7)

T.MK17.SECT M



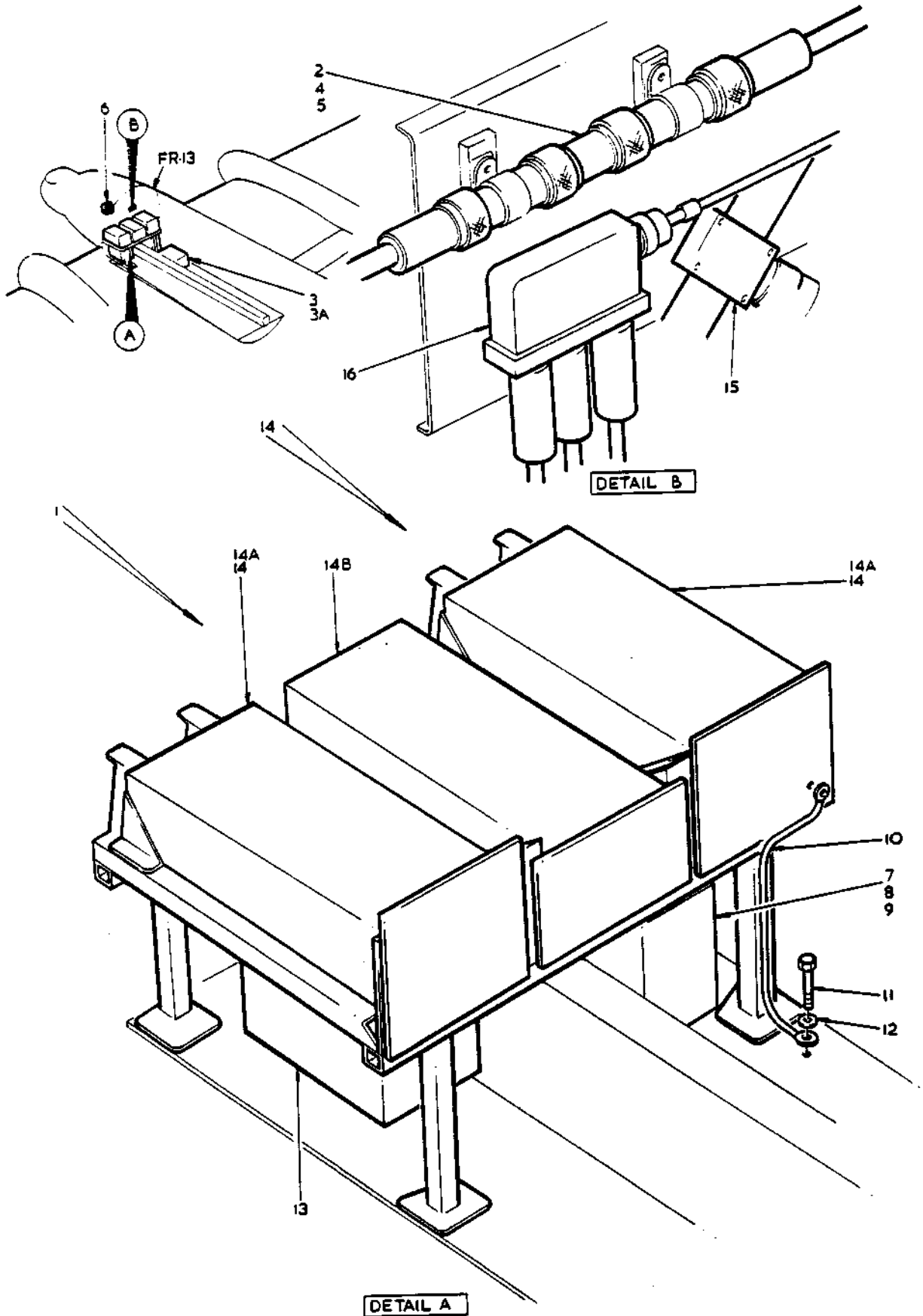


FIG 45 RADIO AND RADAR (ARI 23362)



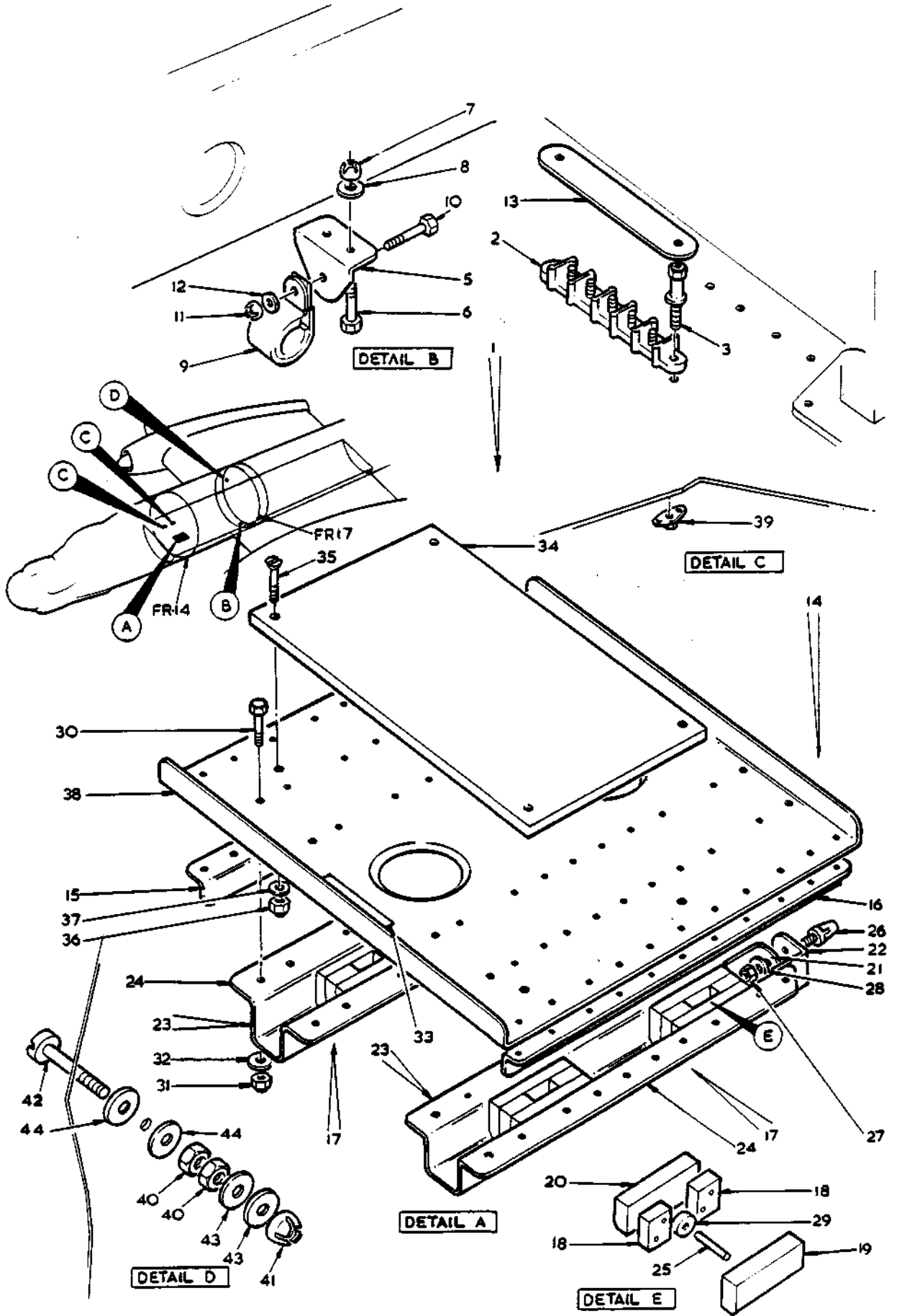


FIG 46 RADIO AND RADAR (ARI 23362)

T.MK 17 SECT M



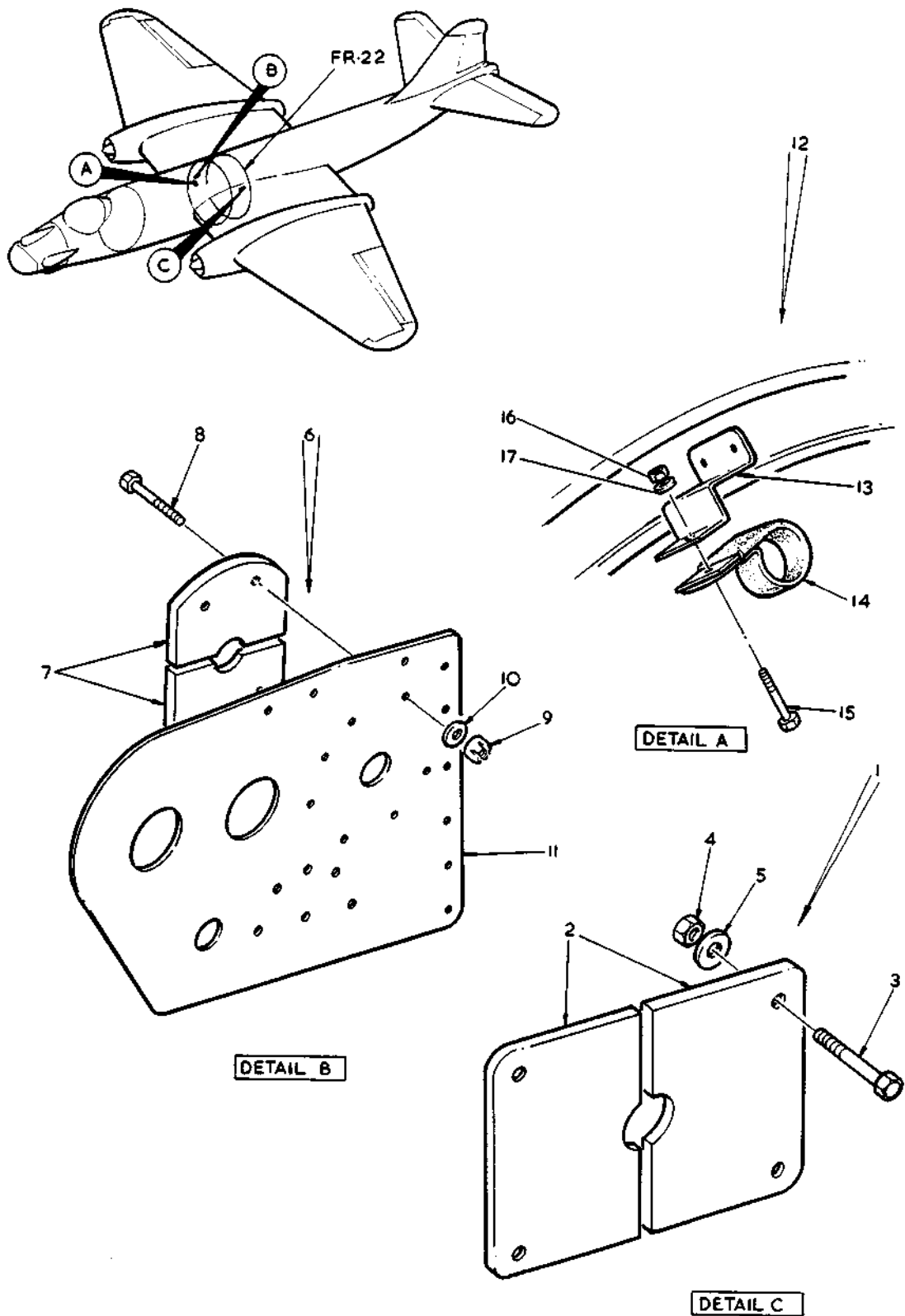


FIG 47 RADIO AND RADAR (ARI 23362)



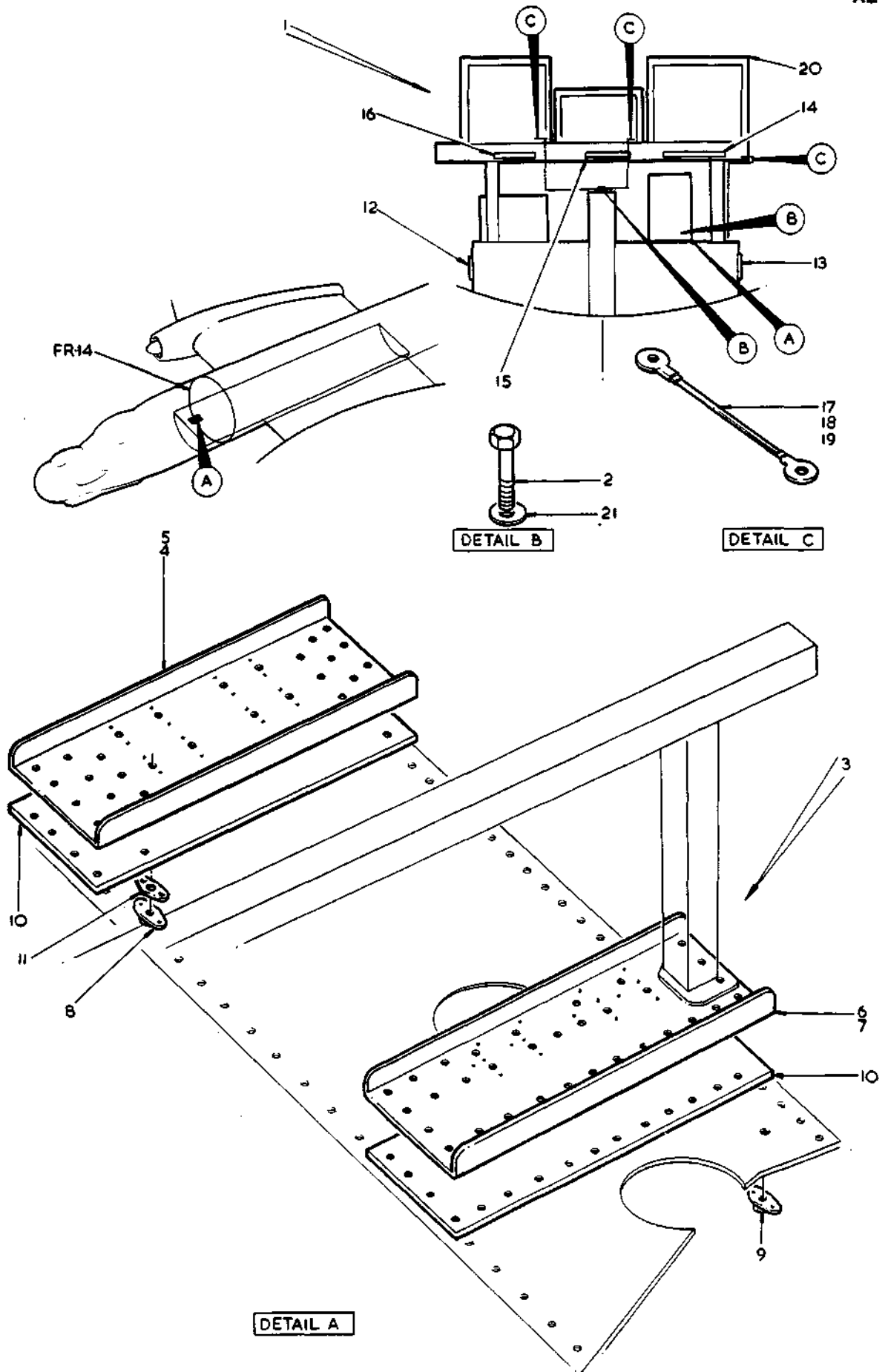


FIG 48 RADIO AND RADAR (ARI 23362)



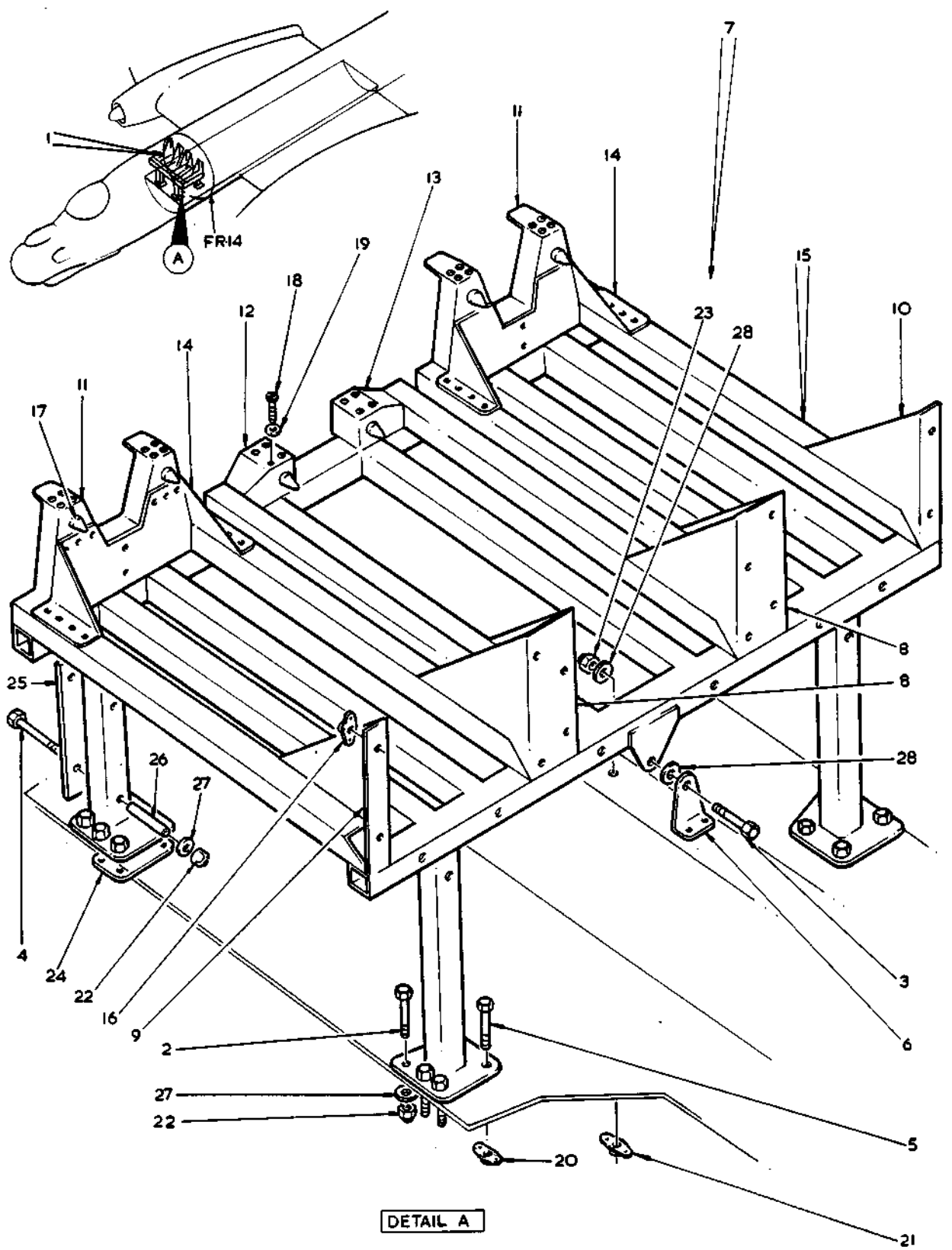


FIG 49 RADIO AND RADAR (ARI 23362)



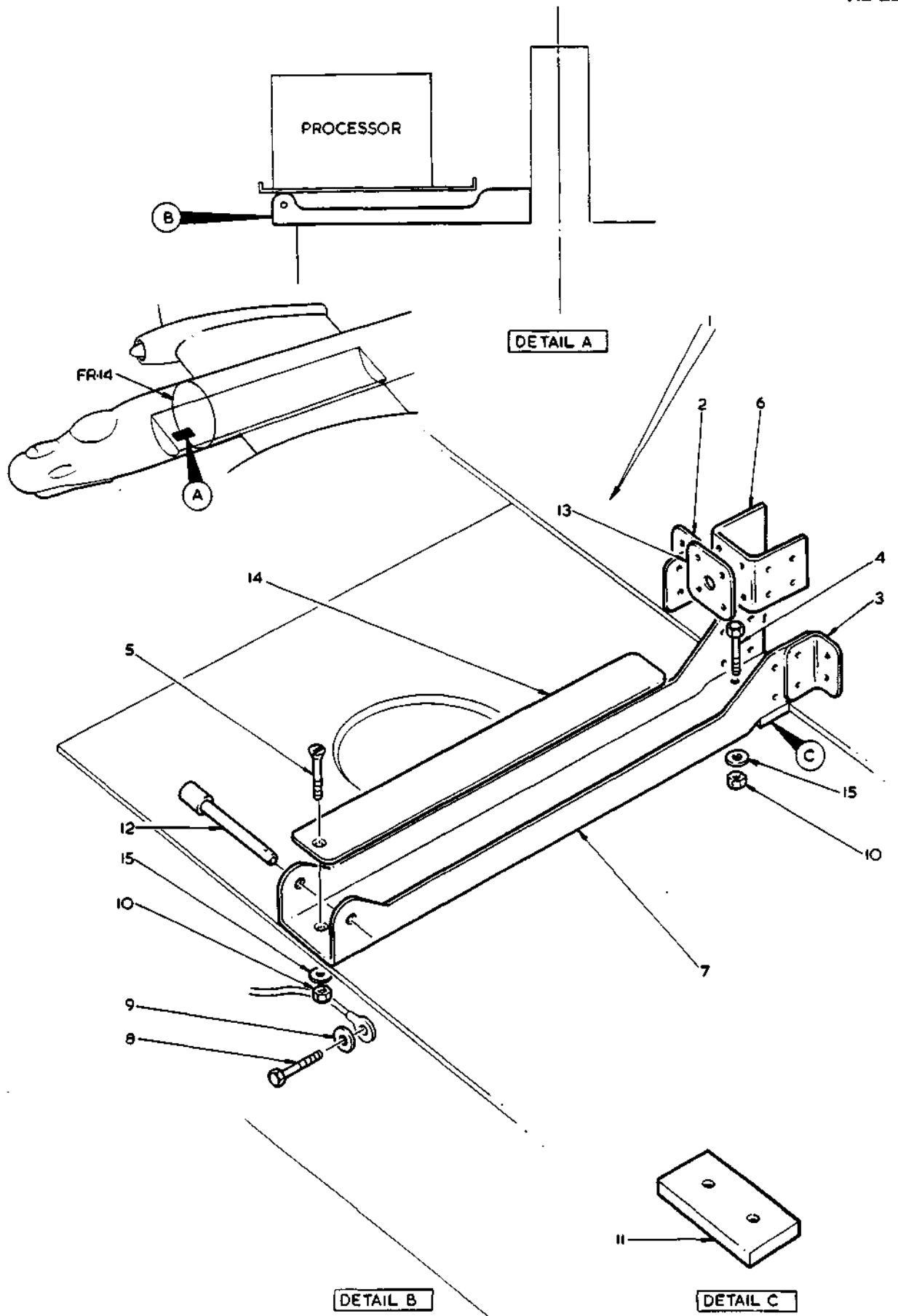


FIG 50 RADIO AND RADAR (ARI 23362)



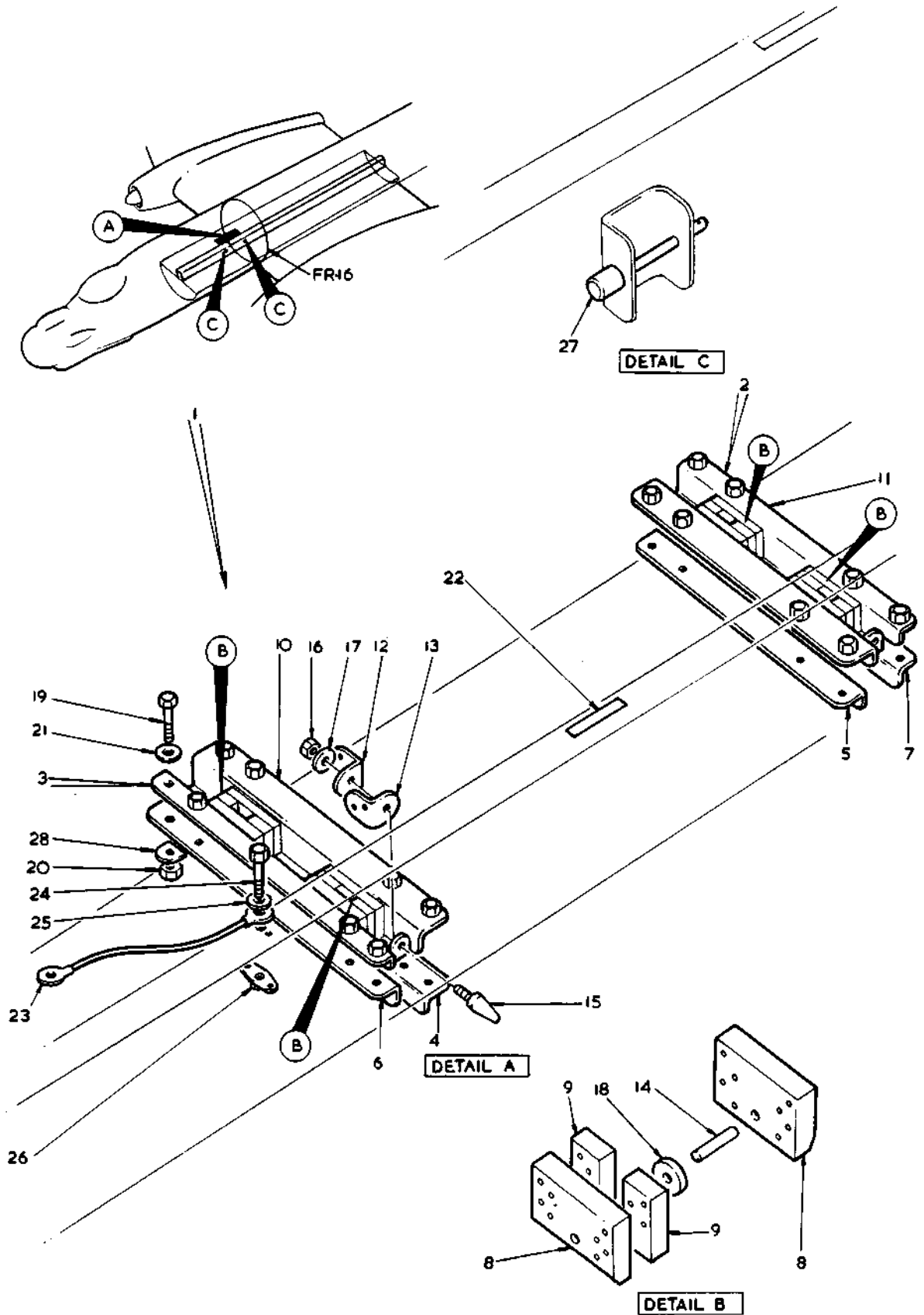


FIG 51. RADIO AND RADAR (ARI 23362)



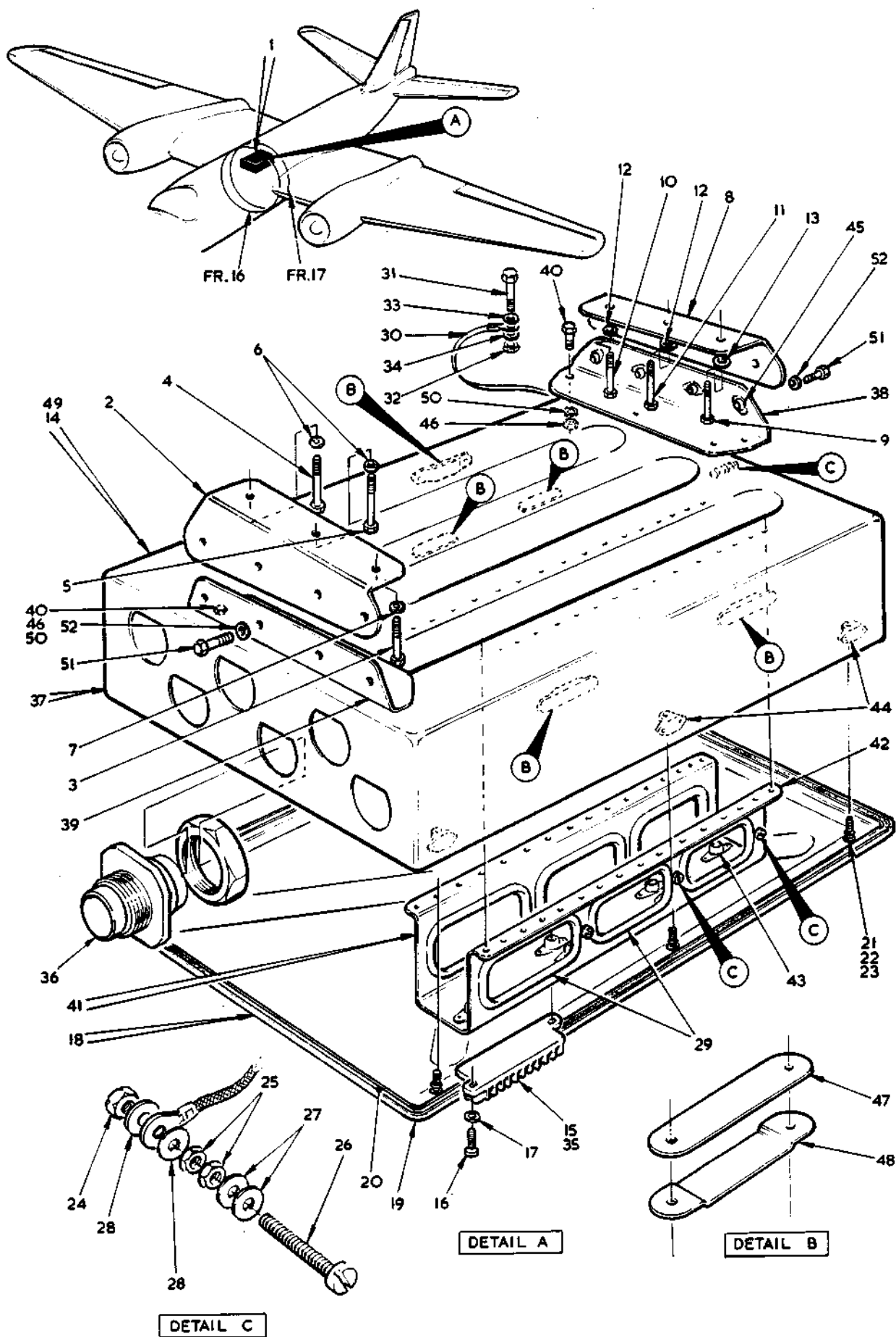


FIG.52 RADIO AND RADAR (ARL 23362)



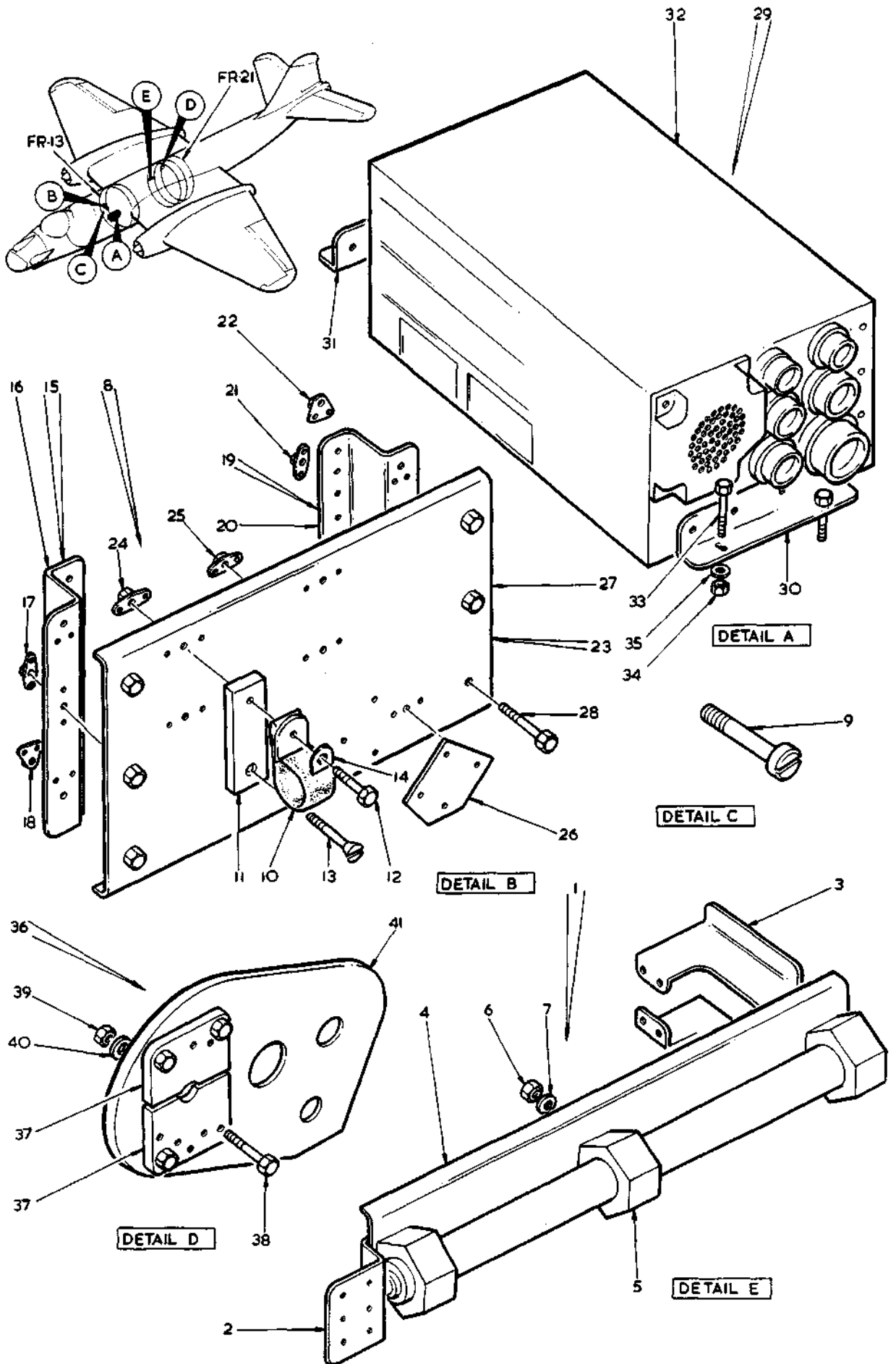
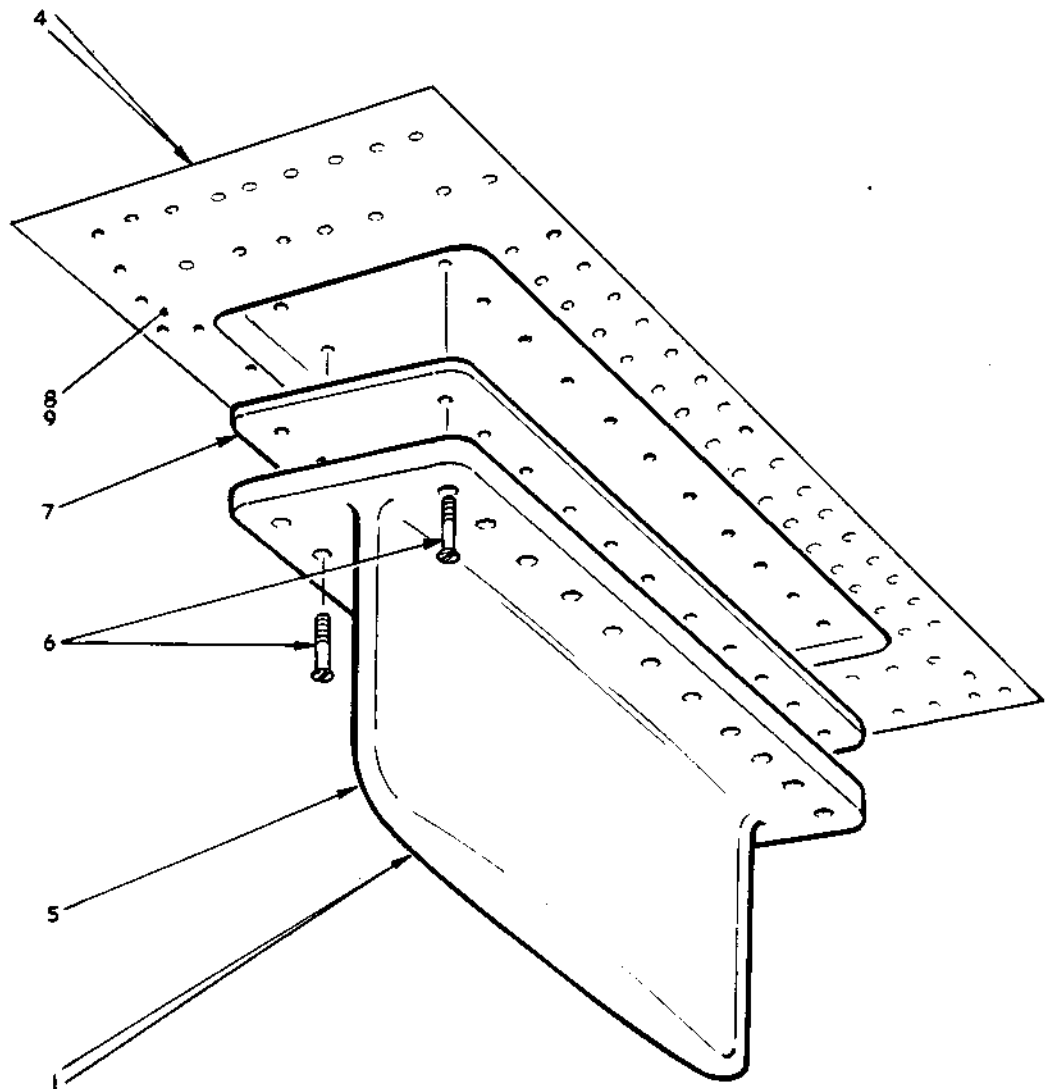
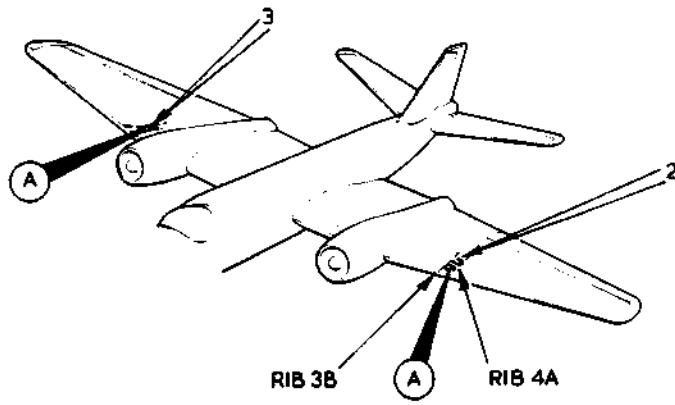


FIG 53 RADIO AND RADAR (ARI 23362)





DETAIL A

FIG.54 RADIO AND RADAR (ARI.23362)



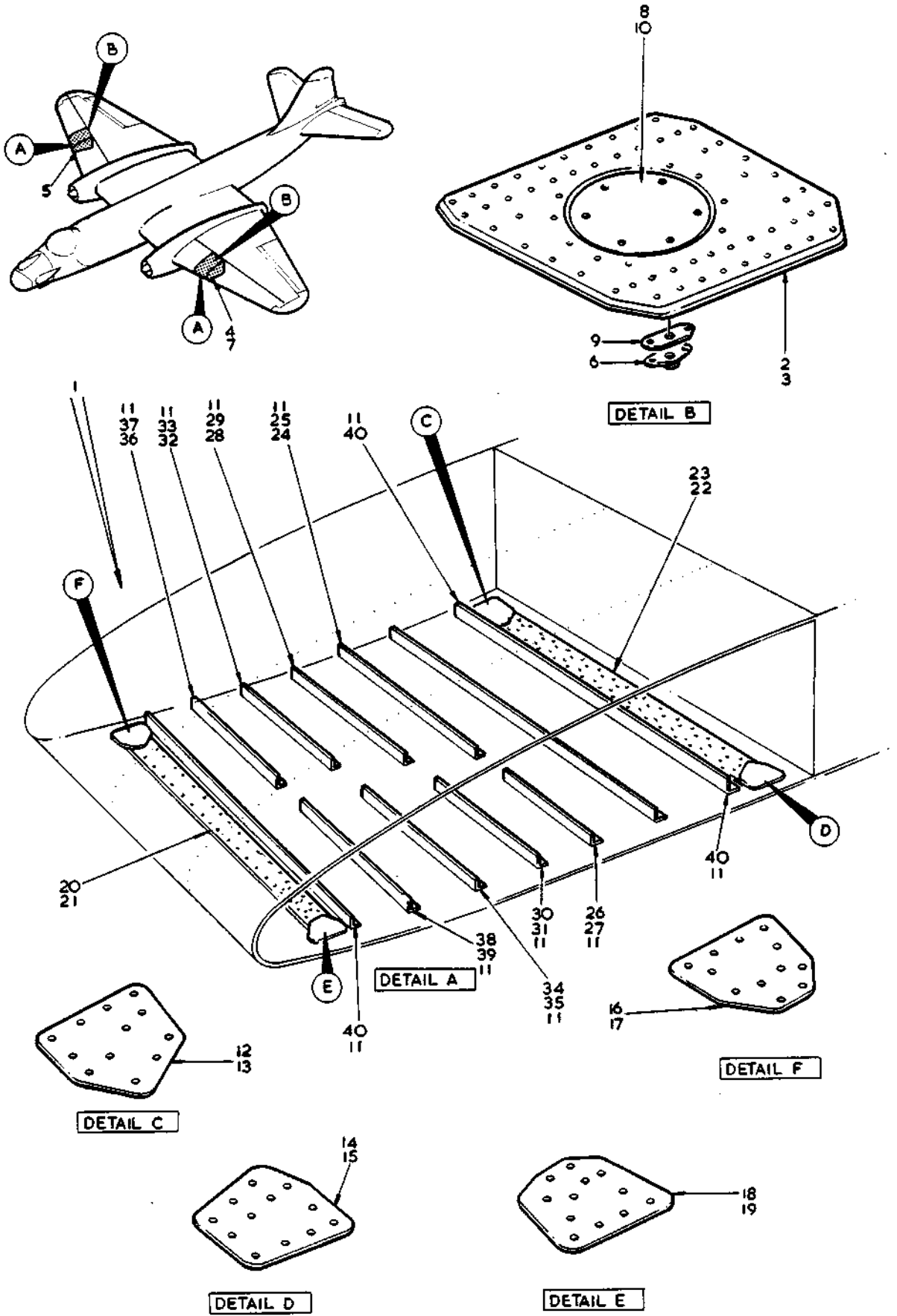


FIG 55 RADIO AND RADAR (ARL23362)



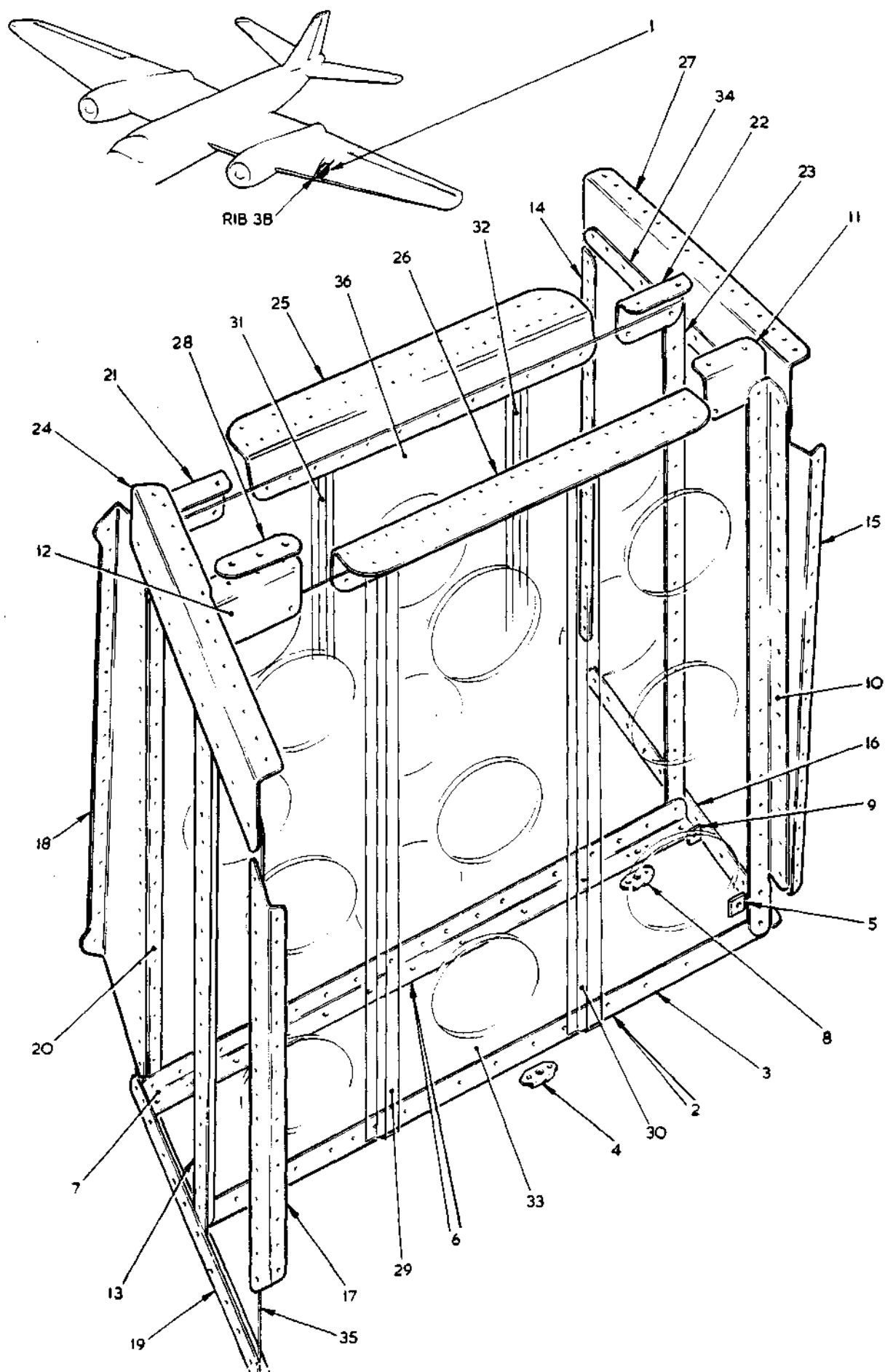


FIG.56 RADIO AND RADAR (ARI. 23362)



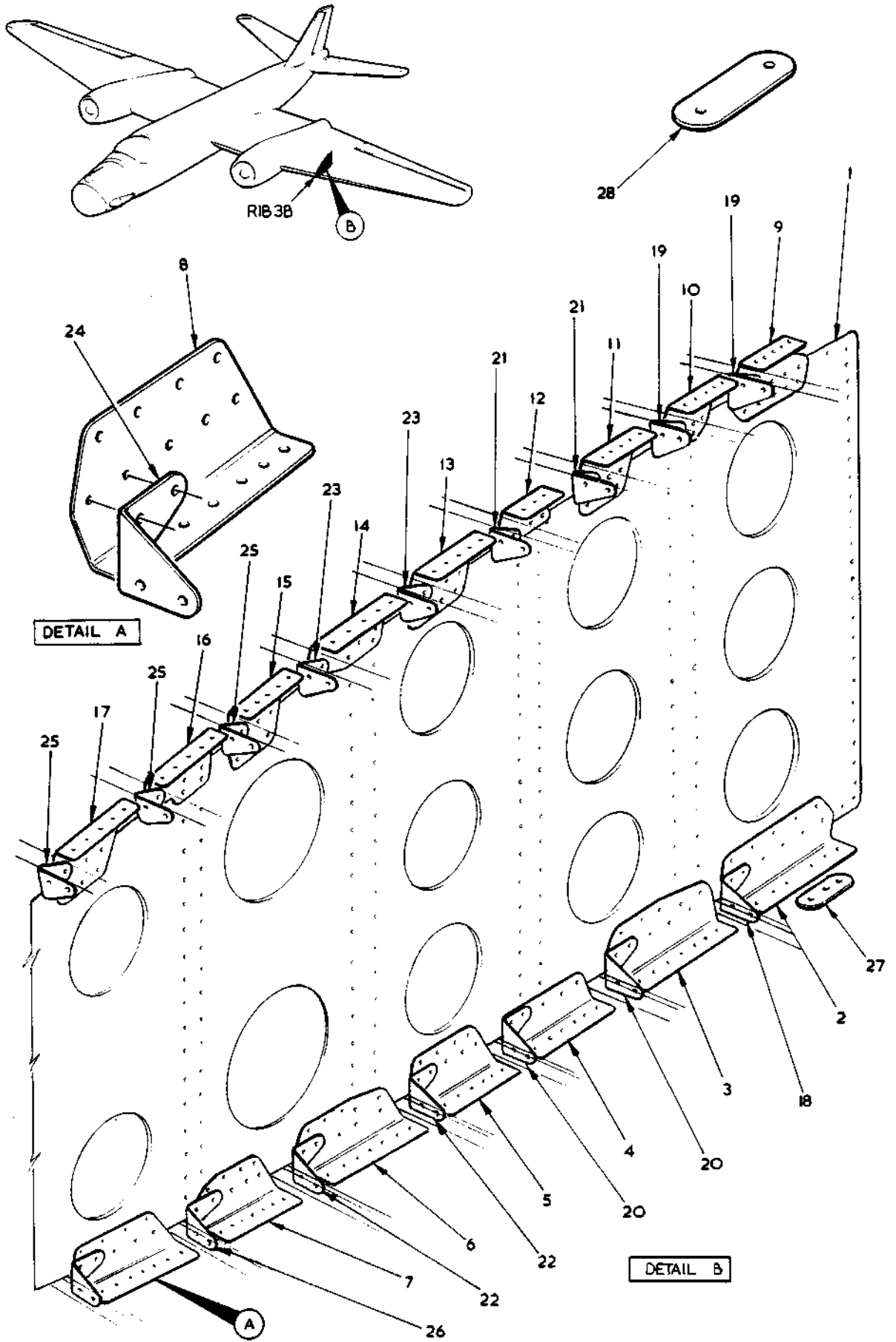


FIG.57 RADIO AND RADAR (ARI.23362)



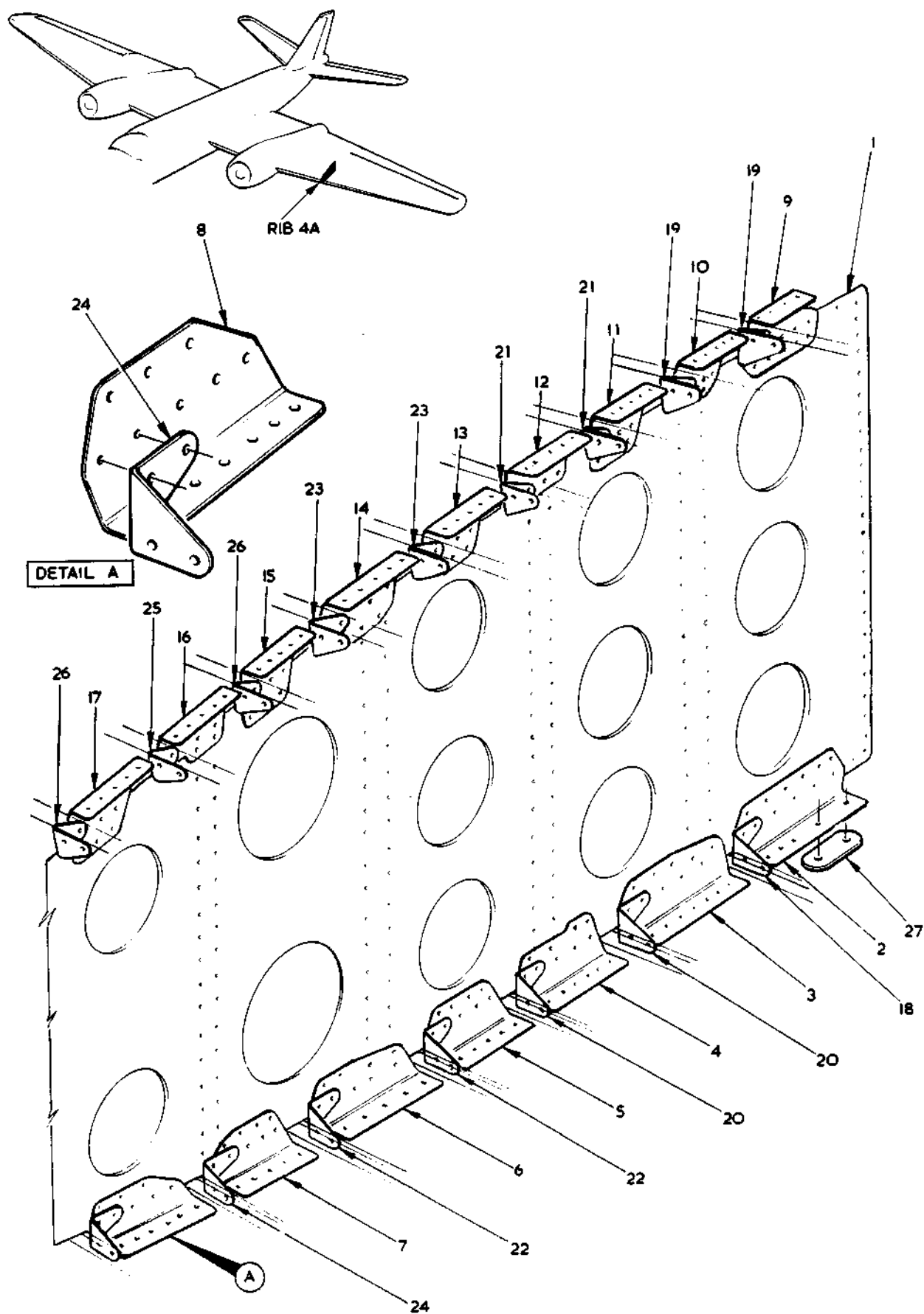


FIG.58 RADIO AND RADAR (ARL23362)



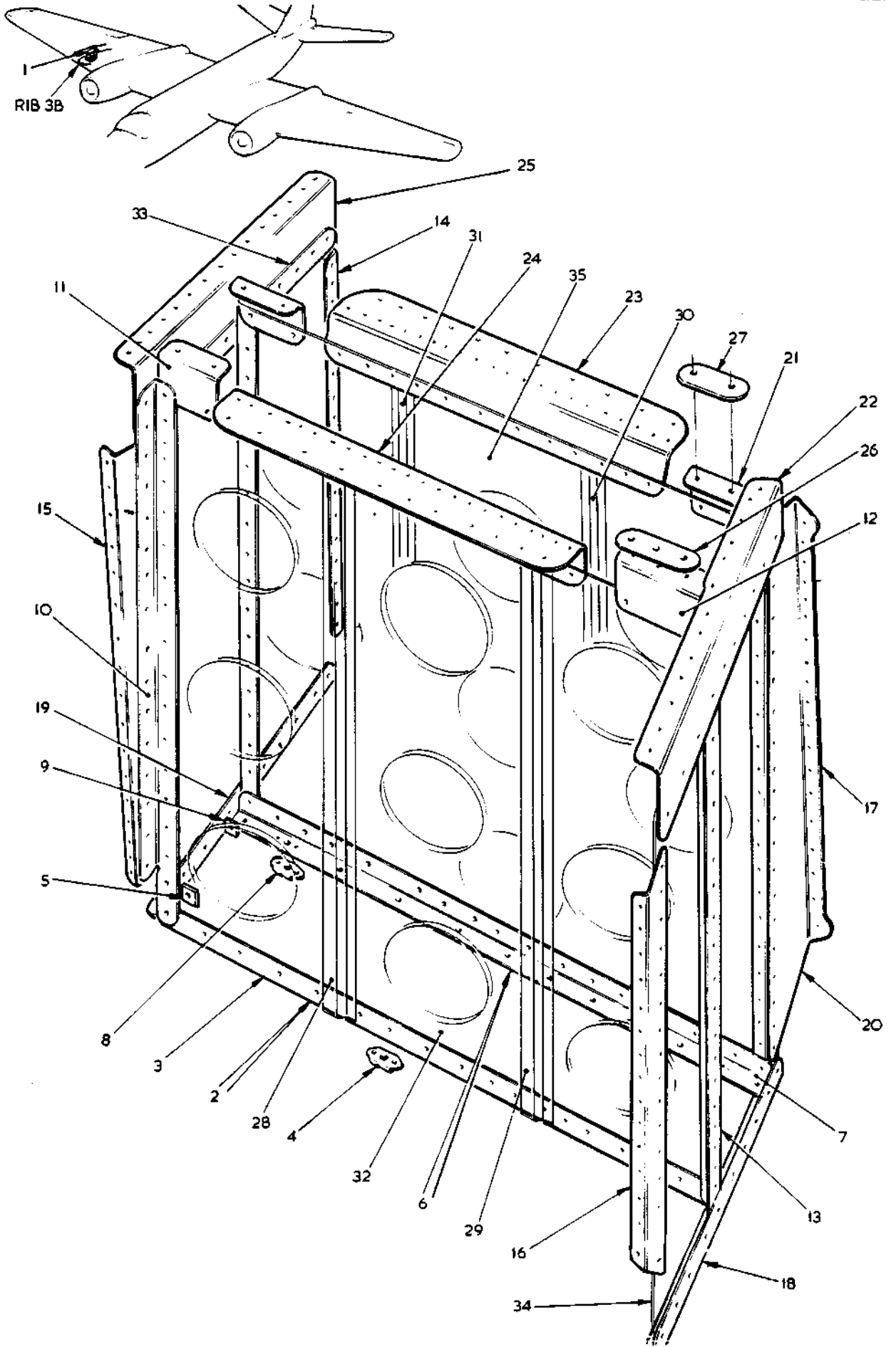


FIG.59 RADIO AND RADAR (ARI.23362)

T.MK.17 SECT. M



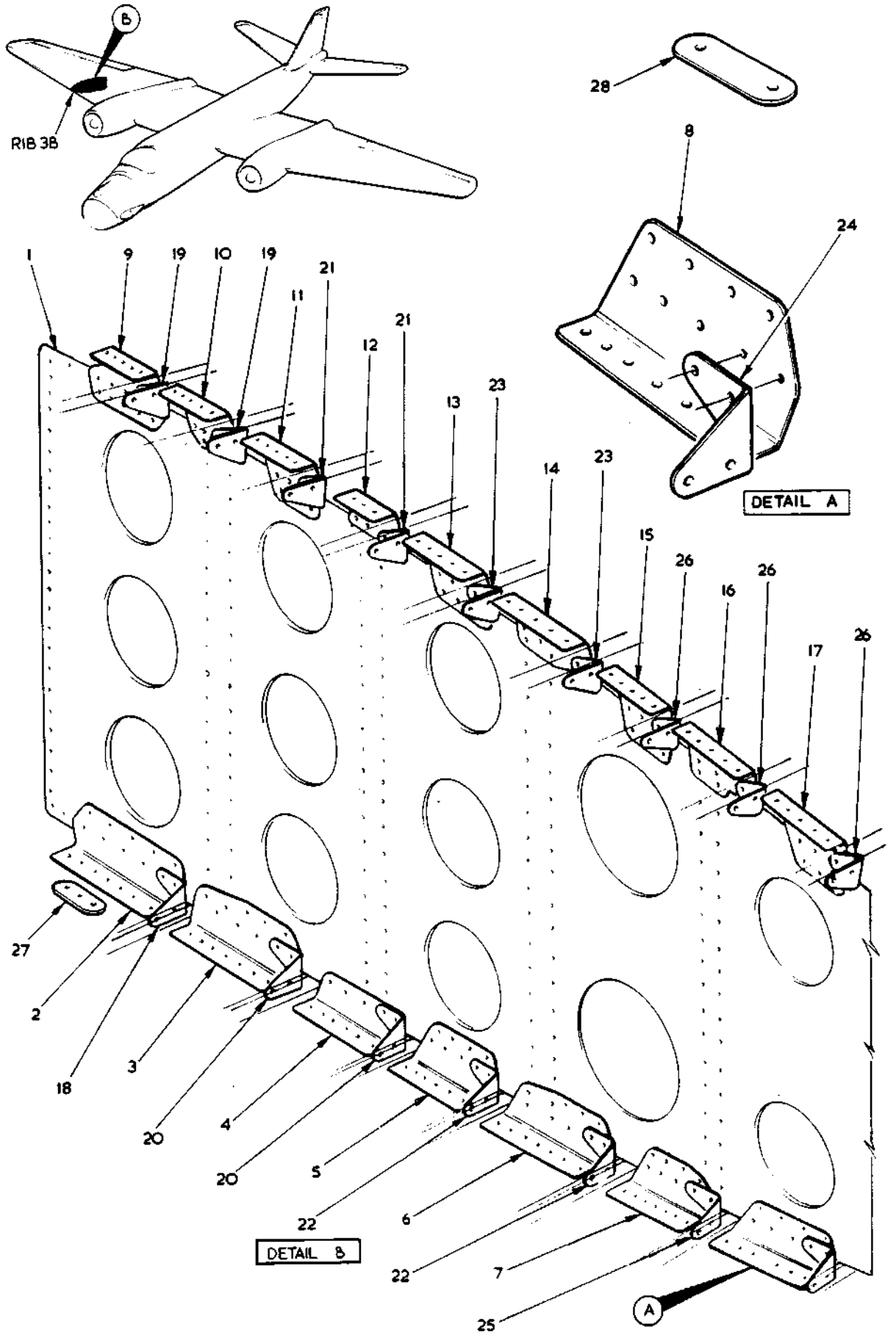


FIG.60 RADIO AND RADAR (ARI.23362)



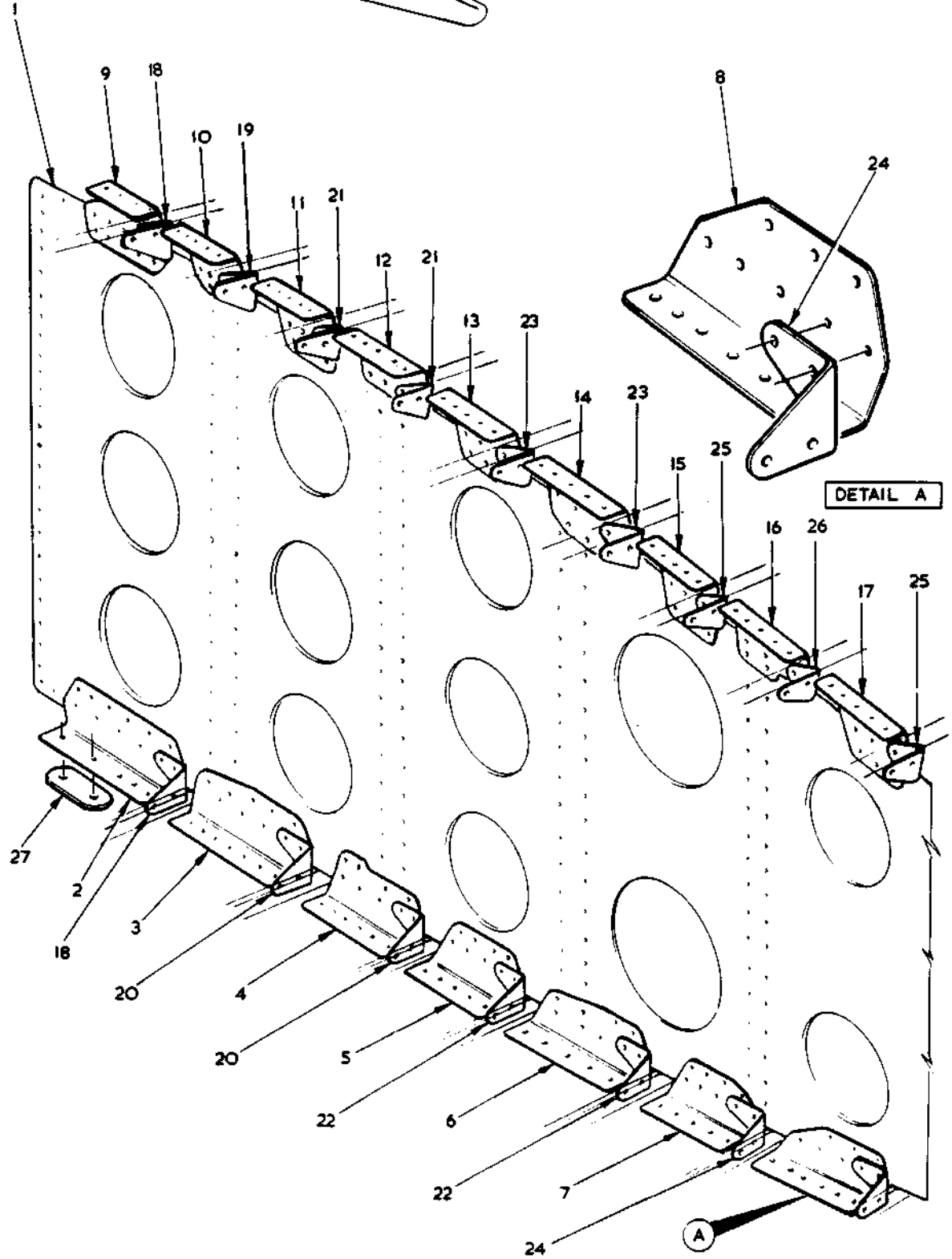
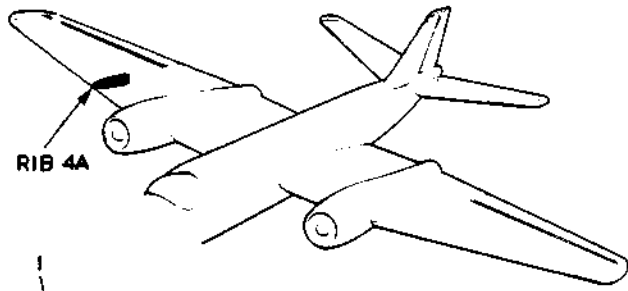


FIG.61 RADIO AND RADAR (ARI.23362)



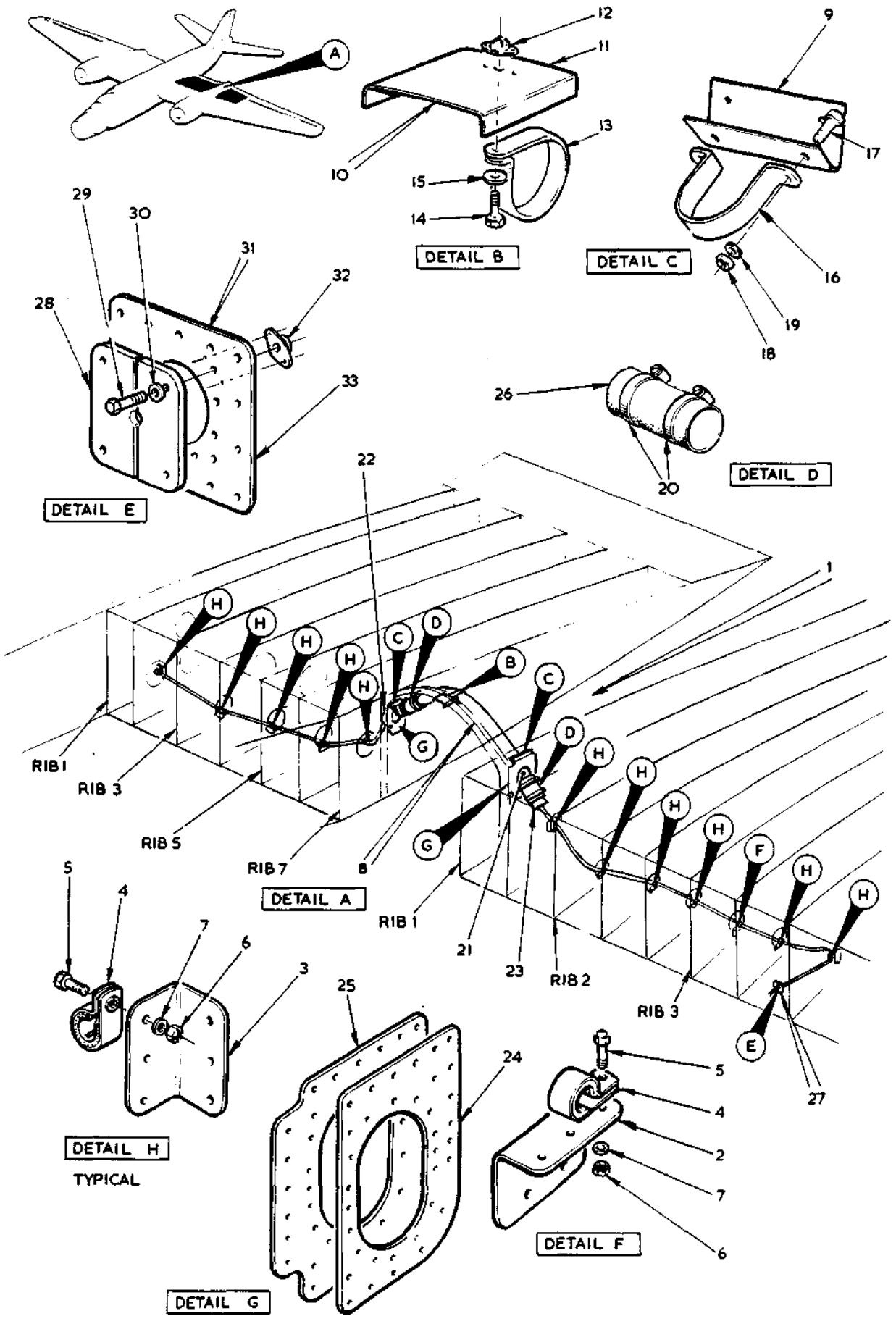


FIG.62 RADIO AND RADAR (ARI.23362)





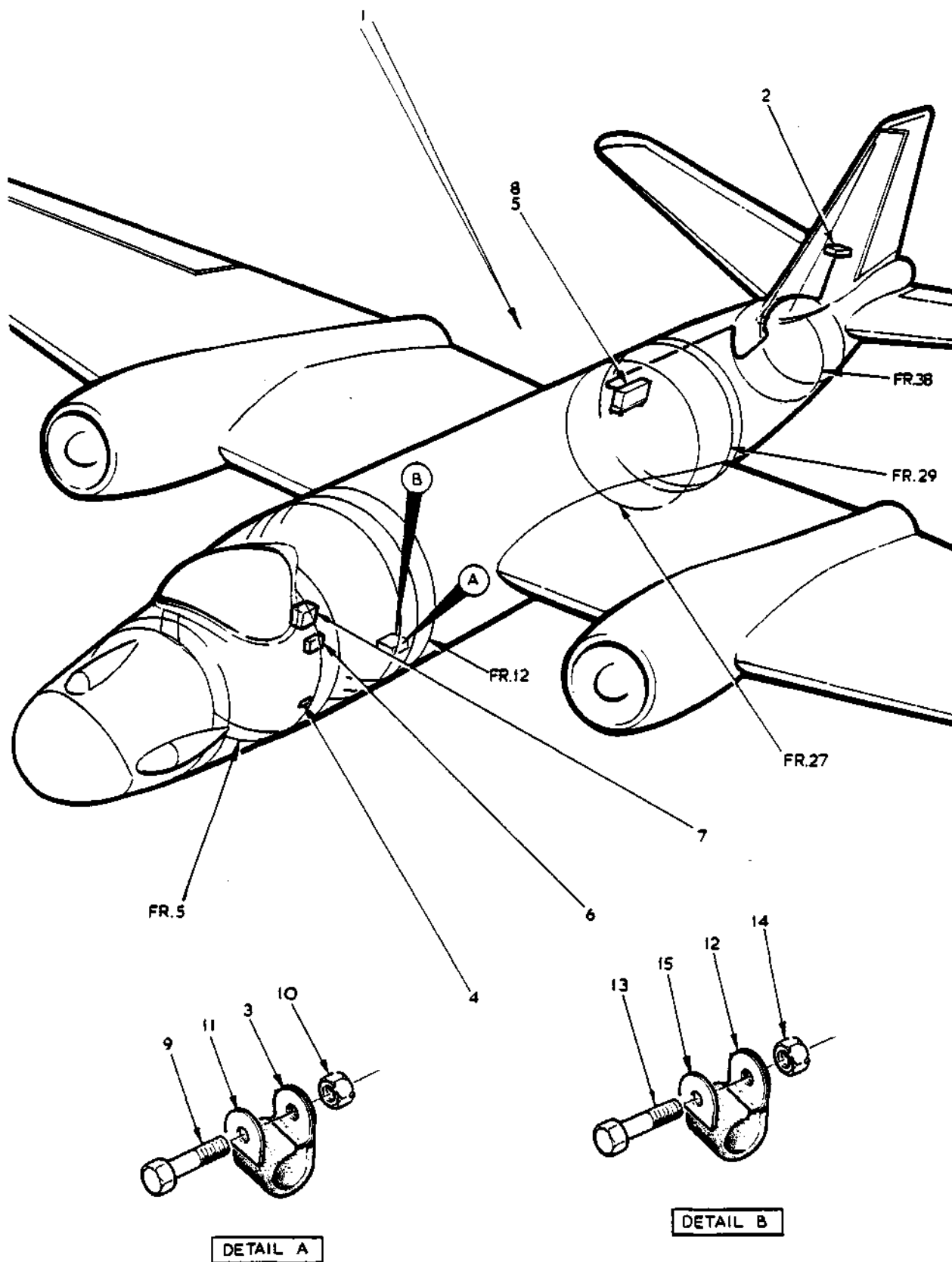


FIG.64 OMEGA NAVIGATION SYSTEM



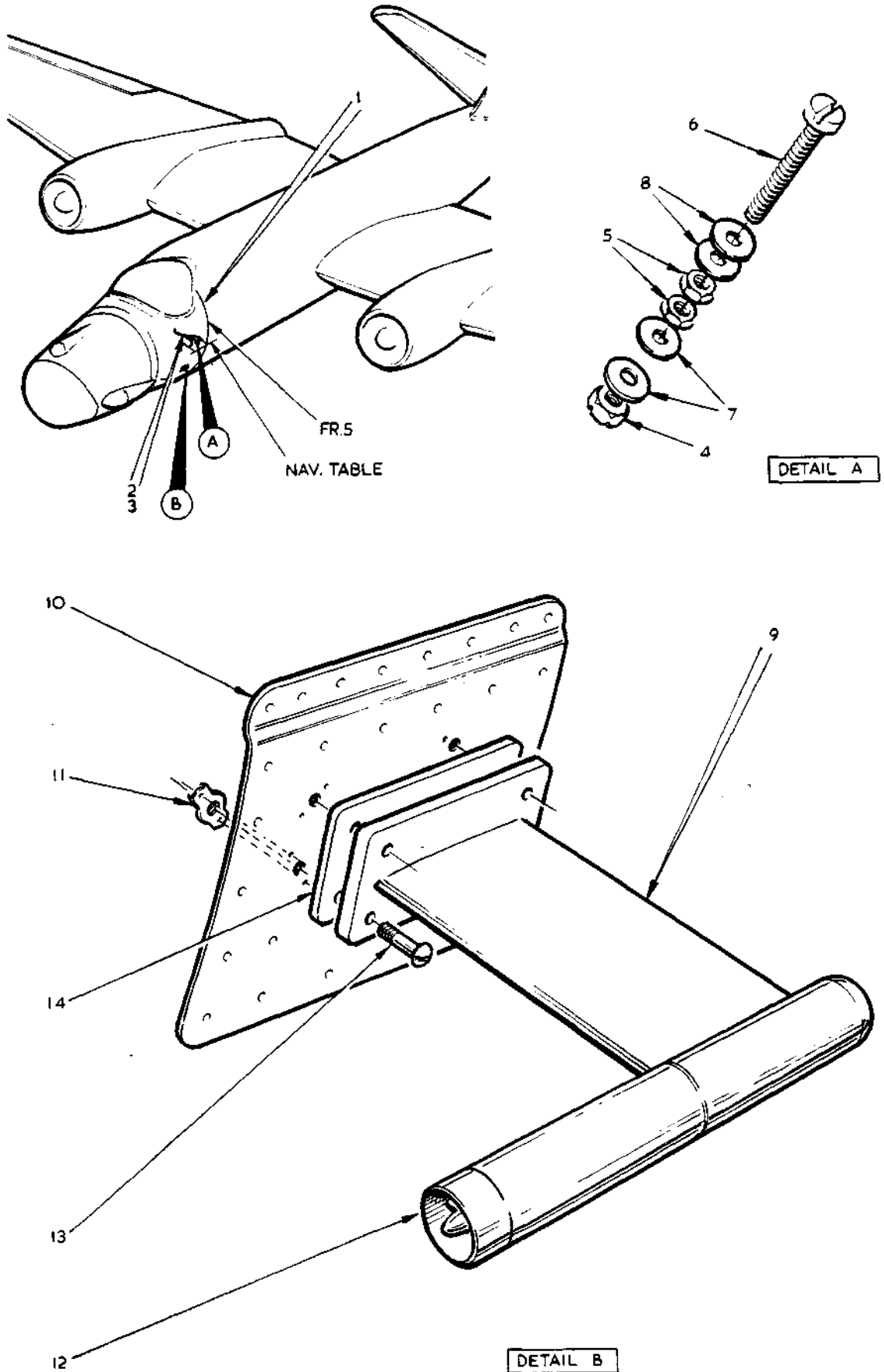


FIG.65 OMEGA NAVIGATION SYSTEM



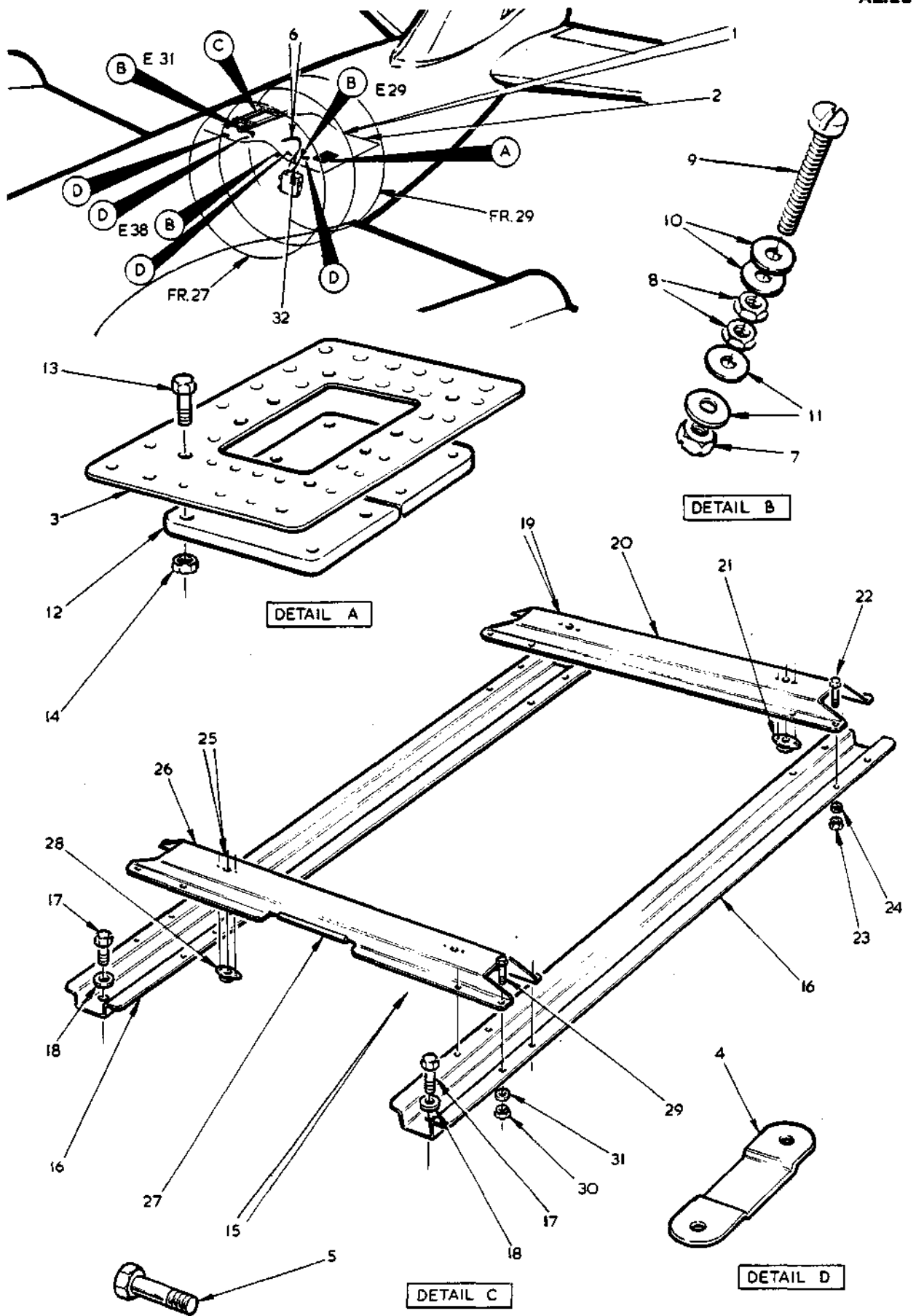


FIG.66 OMEGA NAVIGATION SYSTEM



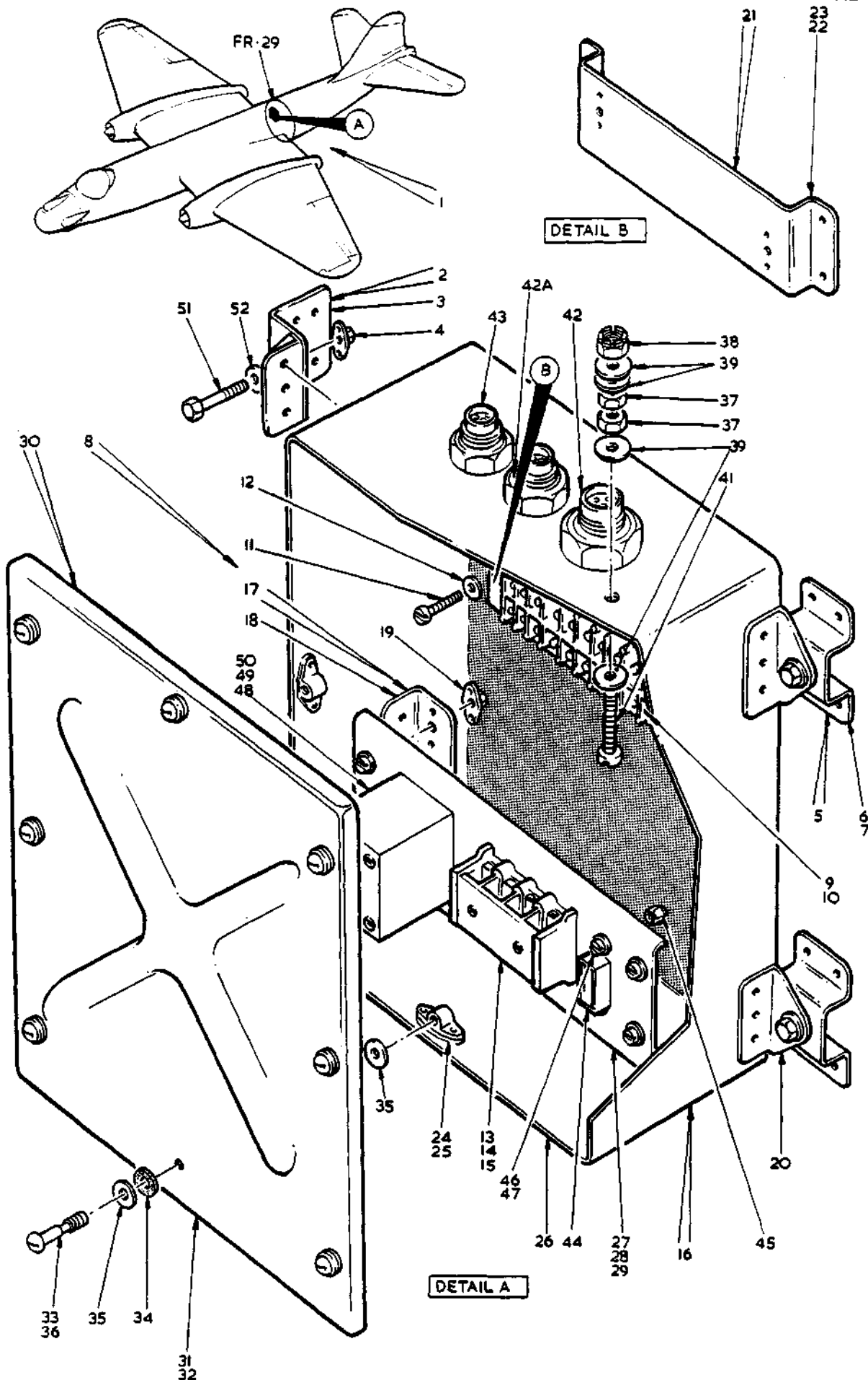


FIG 67 OMEGA NAVIGATION SYSTEM



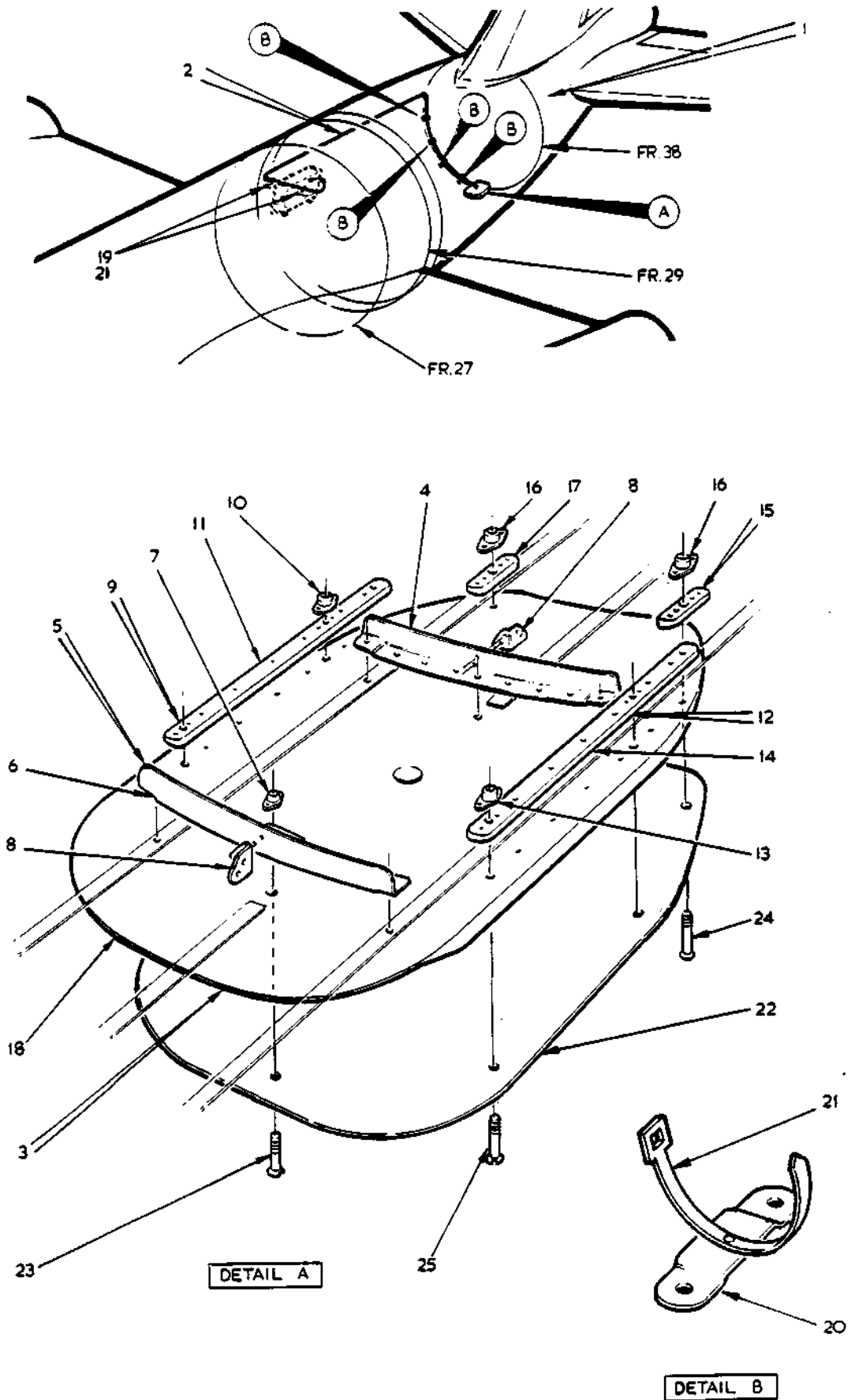


FIG.68 OMEGA NAVIGATION SYSTEM

T.MK.17 SECT.M



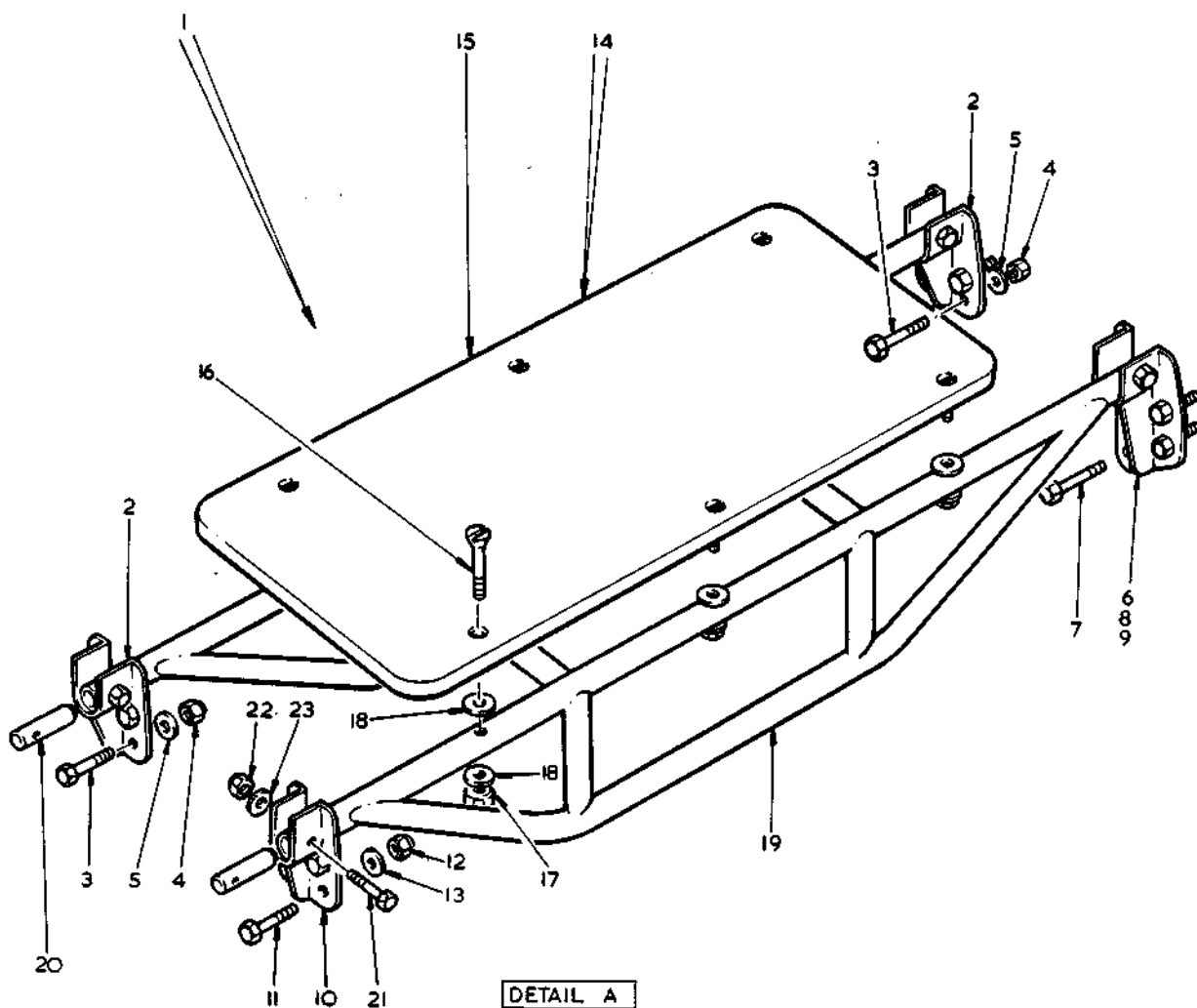
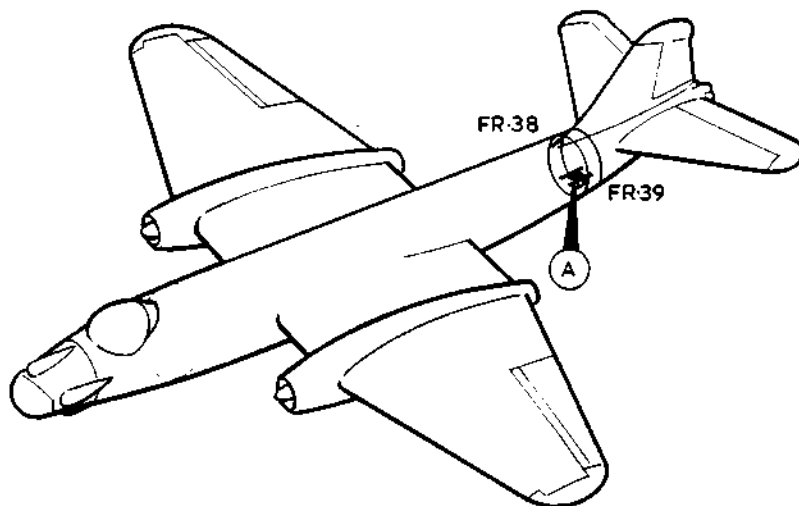


FIG 69 OMEGA NAVIGATION SYSTEM

T MK 17. SECT M



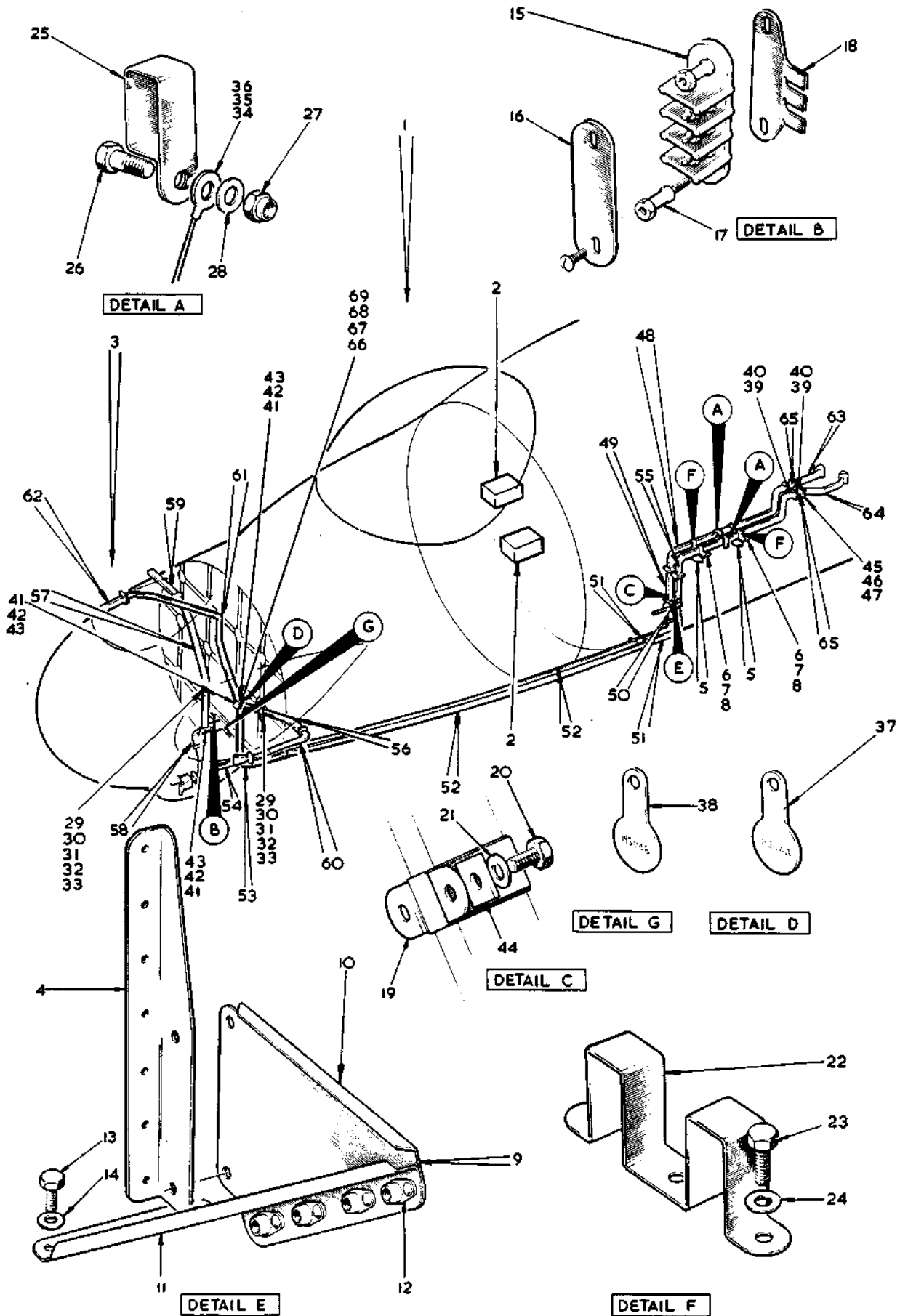


FIG 70 I/J BAND JAMMER SYSTEM



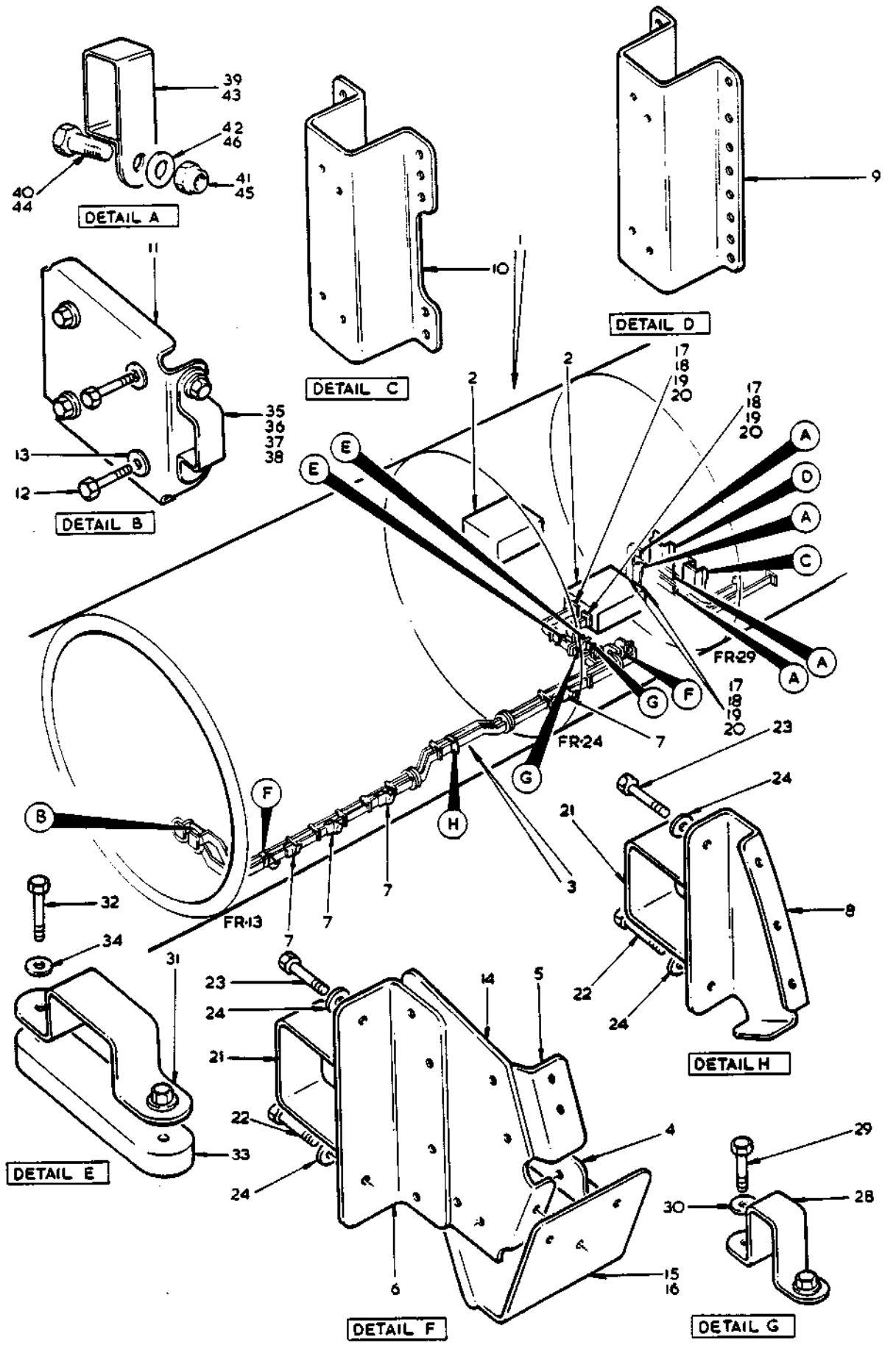


FIG.71 I/J BAND JAMMER SYSTEM



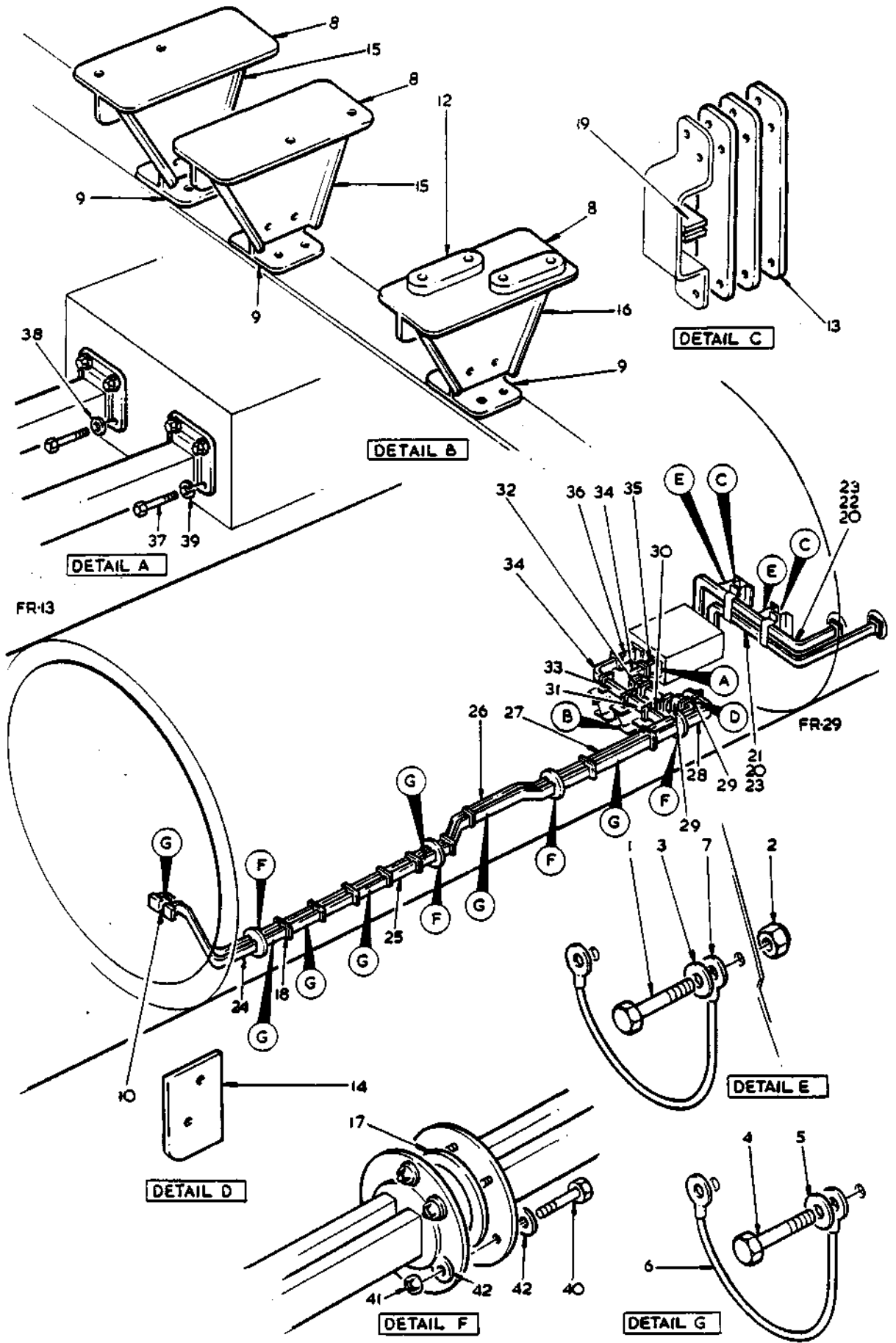


FIG 72 I/J BAND JAMMER SYSTEM



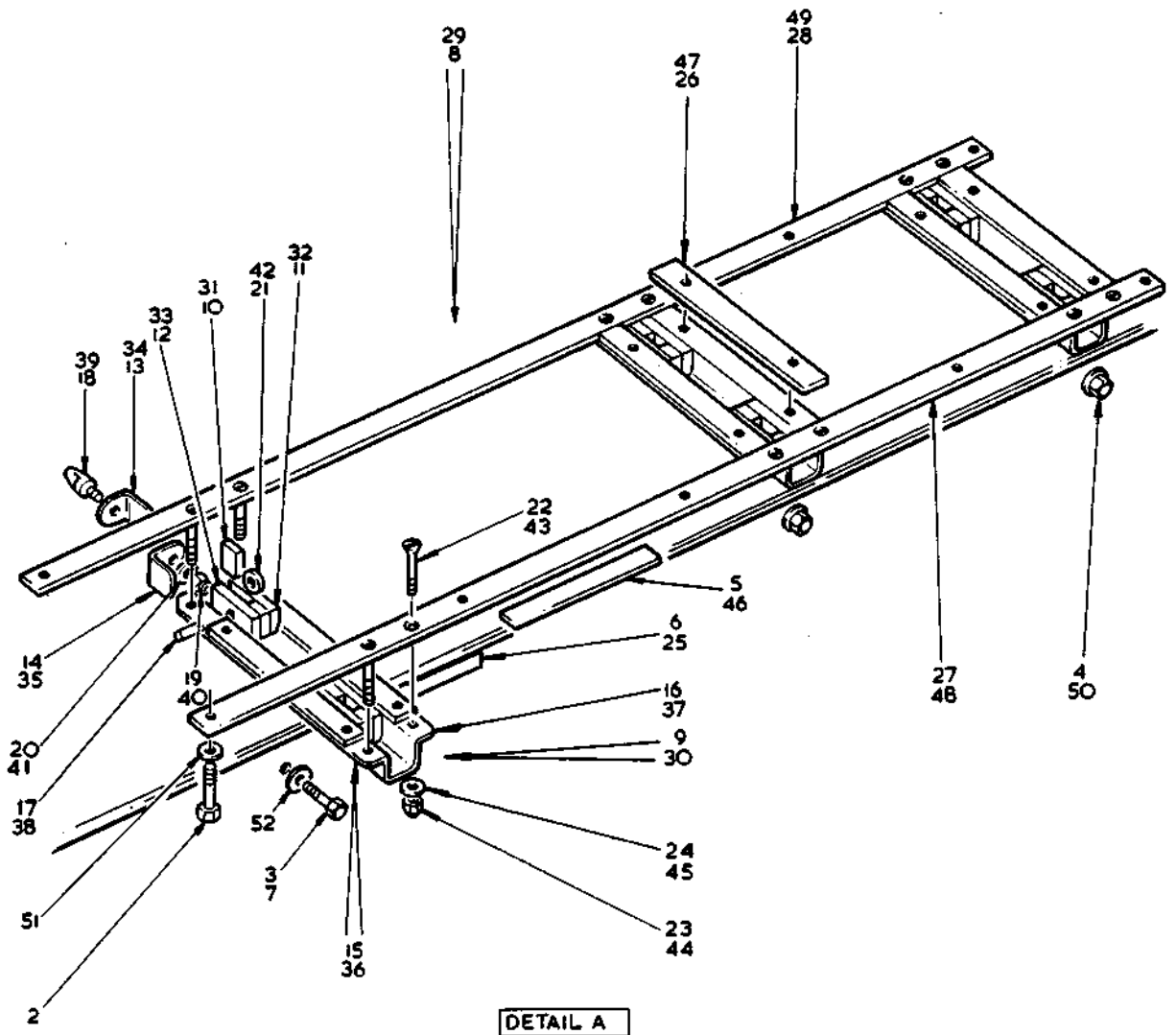
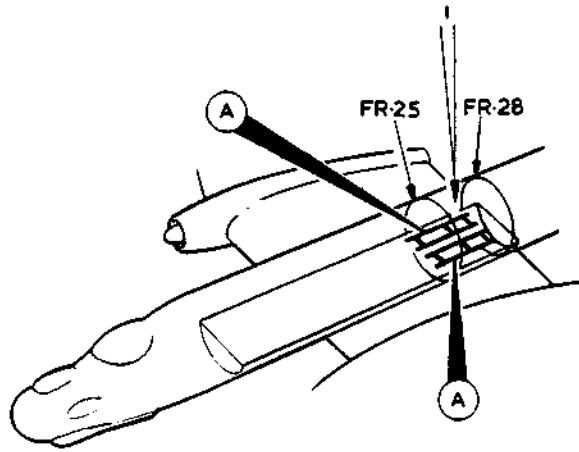


FIG 73 I/J BAND JAMMER SYSTEM



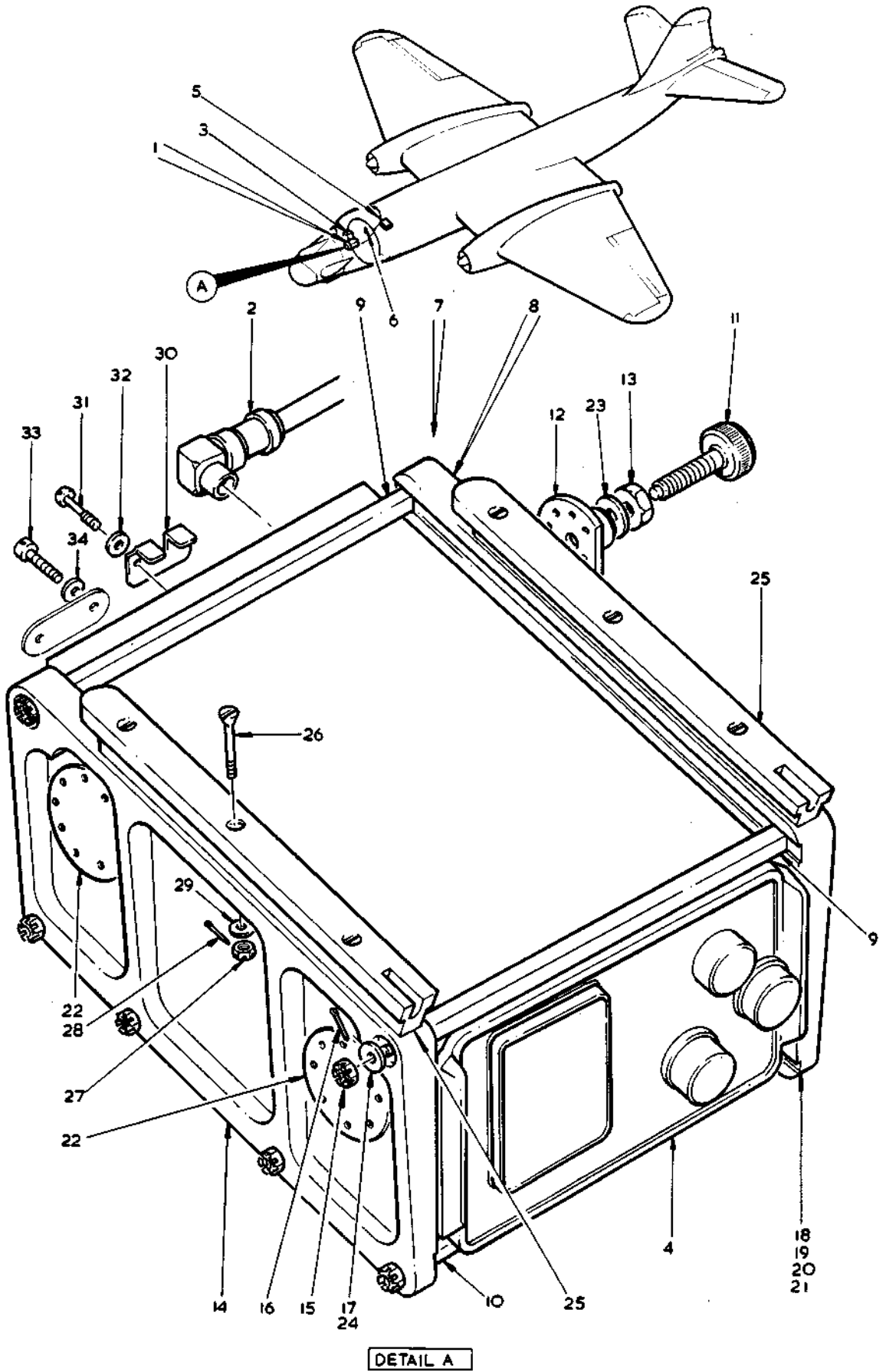


FIG 74 ESM RECEIVER ARI 23361/0



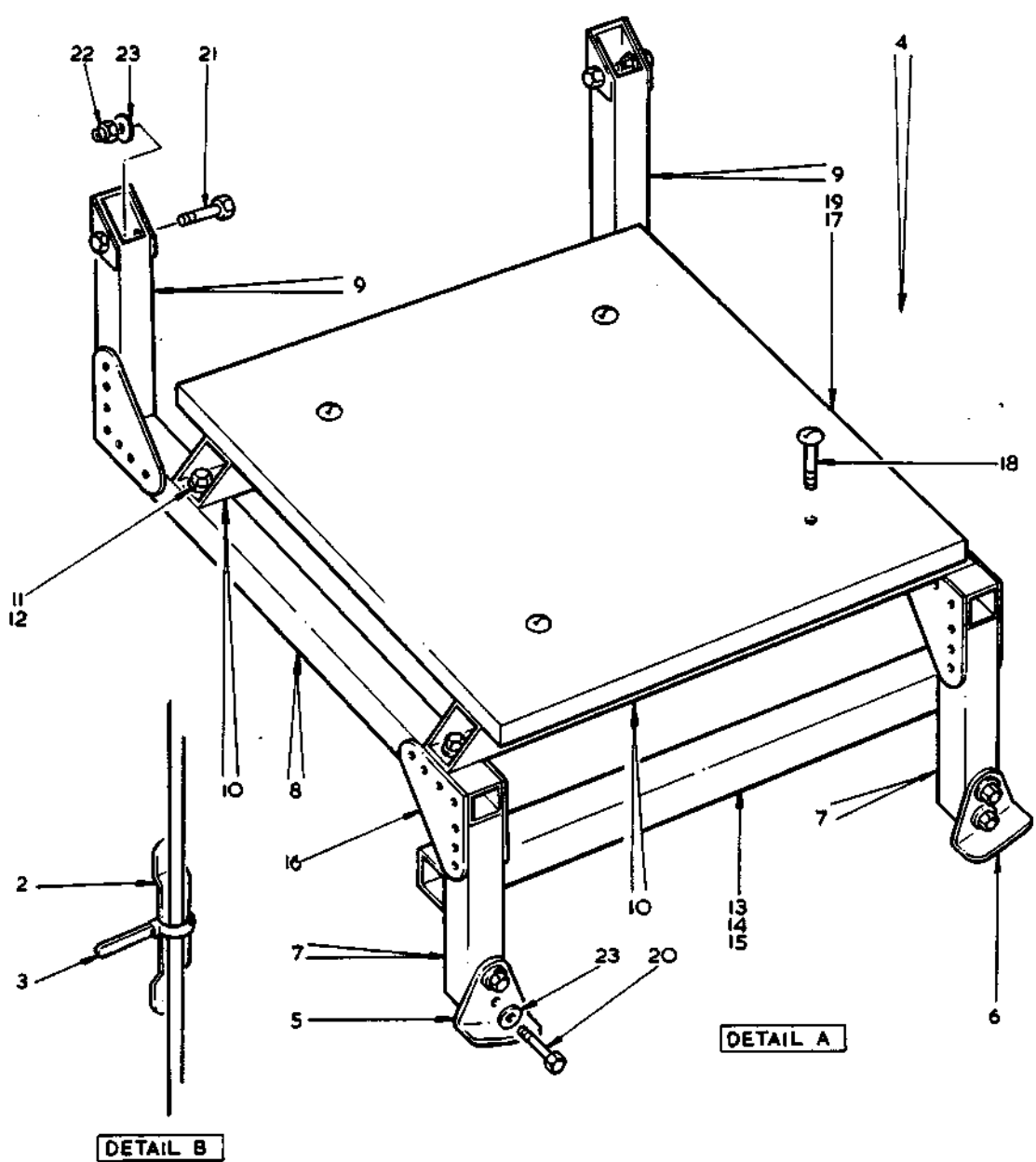
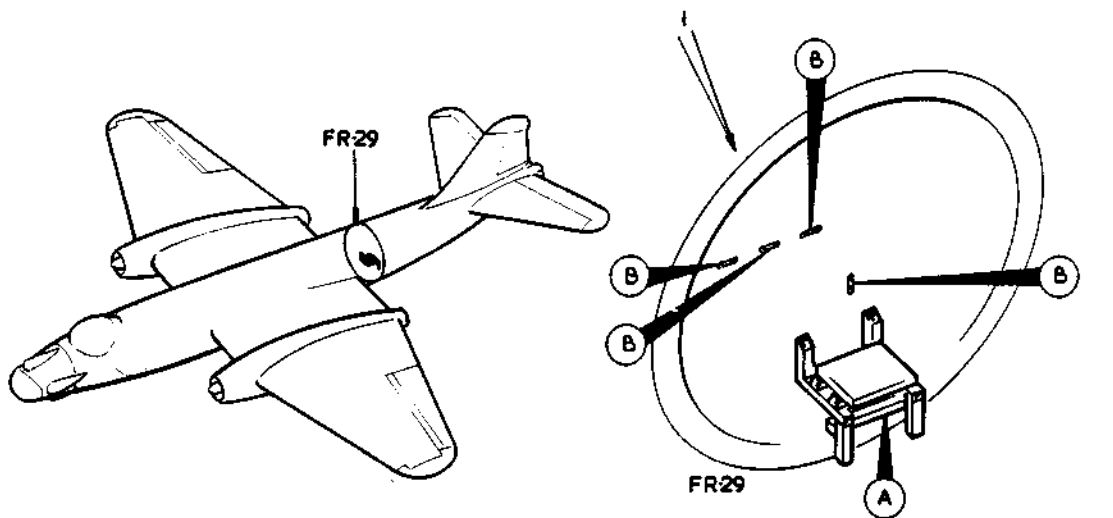


FIG 75 ESM RECEIVER ARI 23361/0



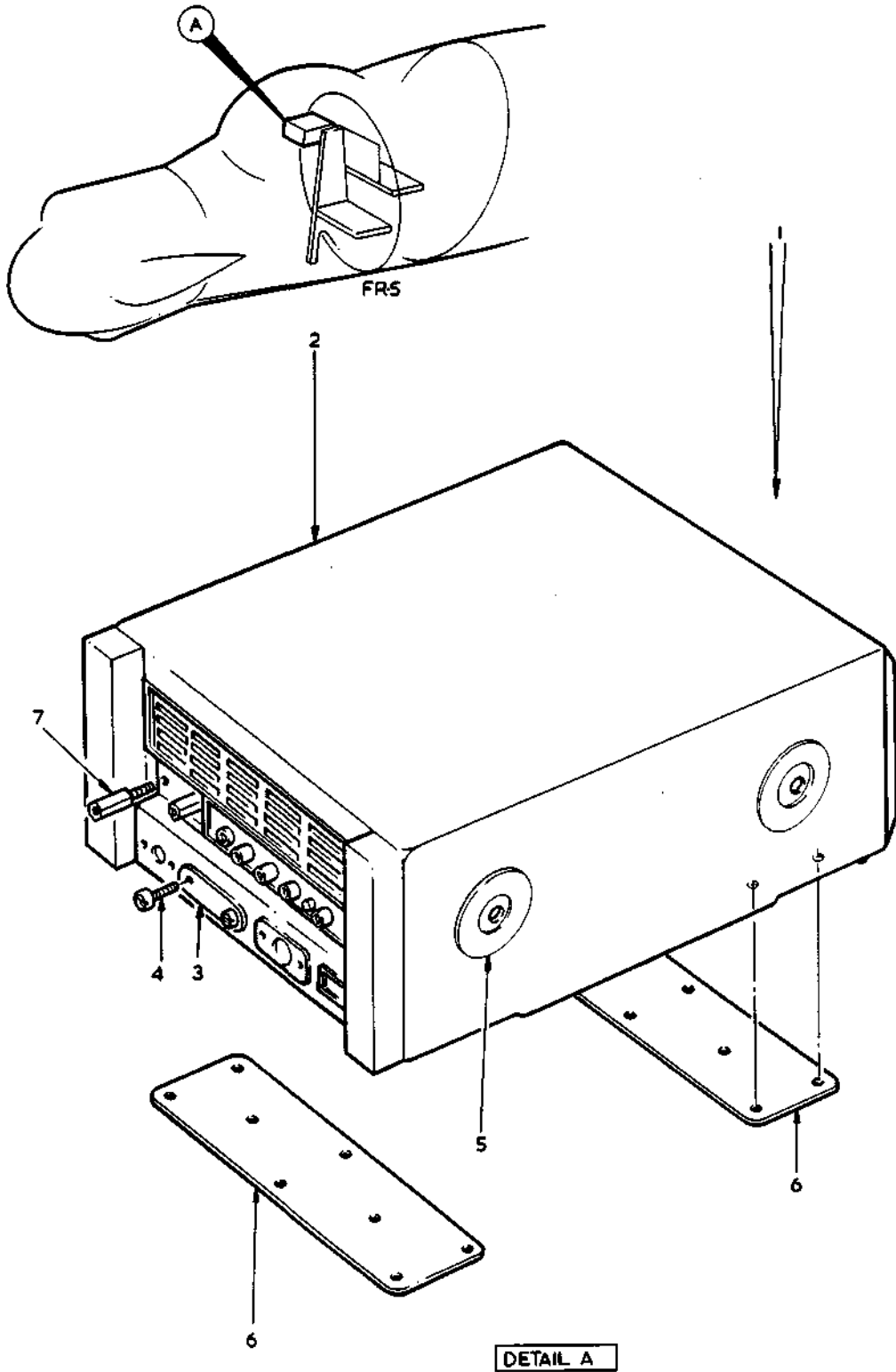


FIG 76 ESM RECEIVER ARI 23361/0



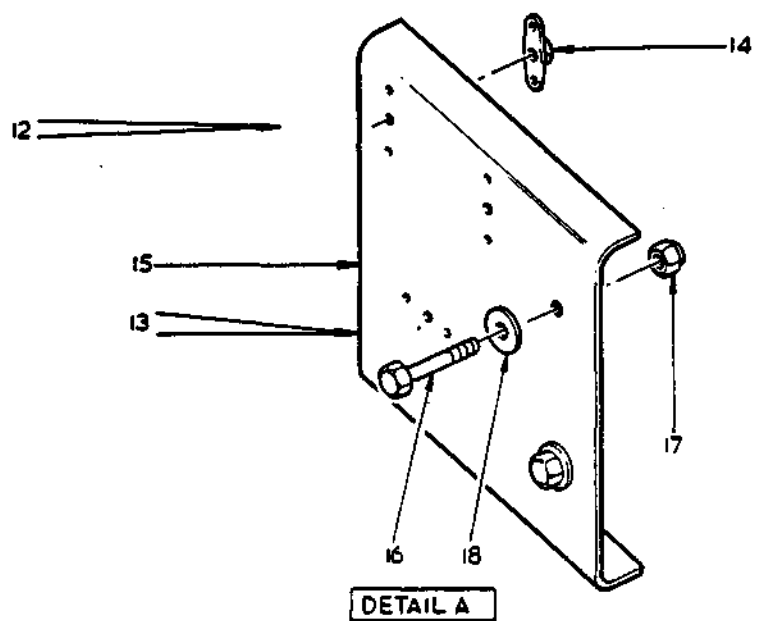
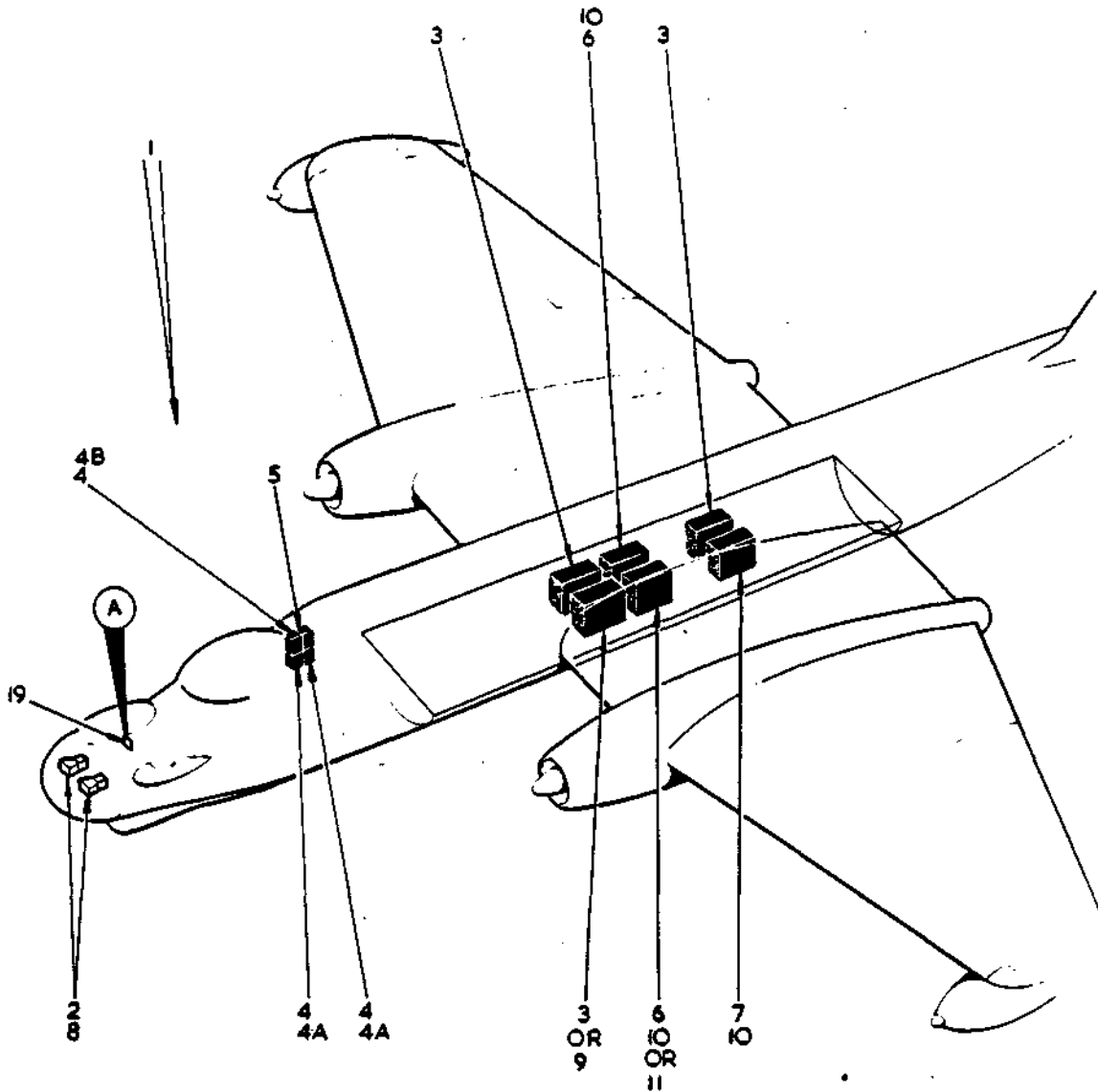


FIG 77 ARI 23166 AND ARI 23167



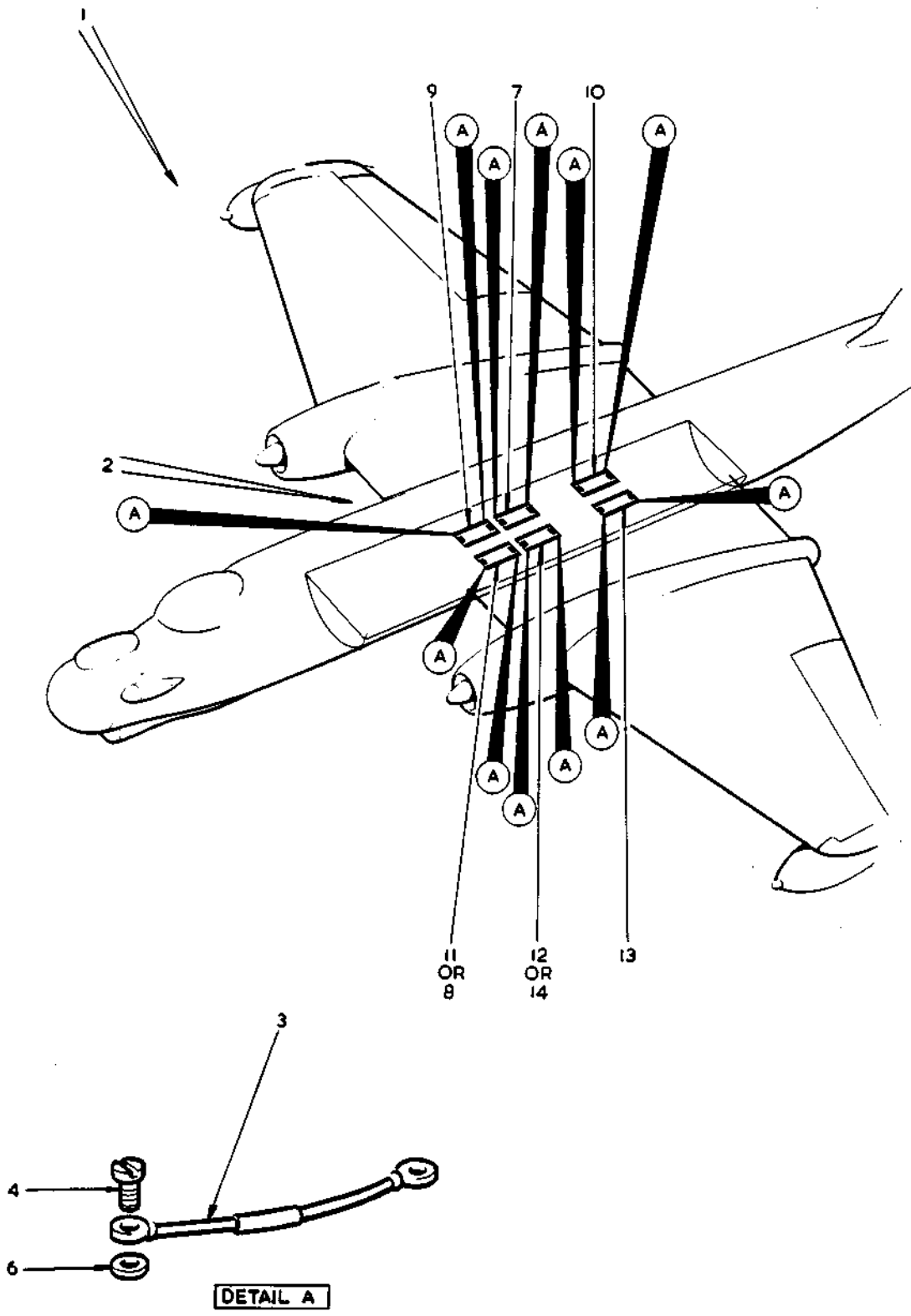


FIG 78 ARI 23166 AND ARI 23167



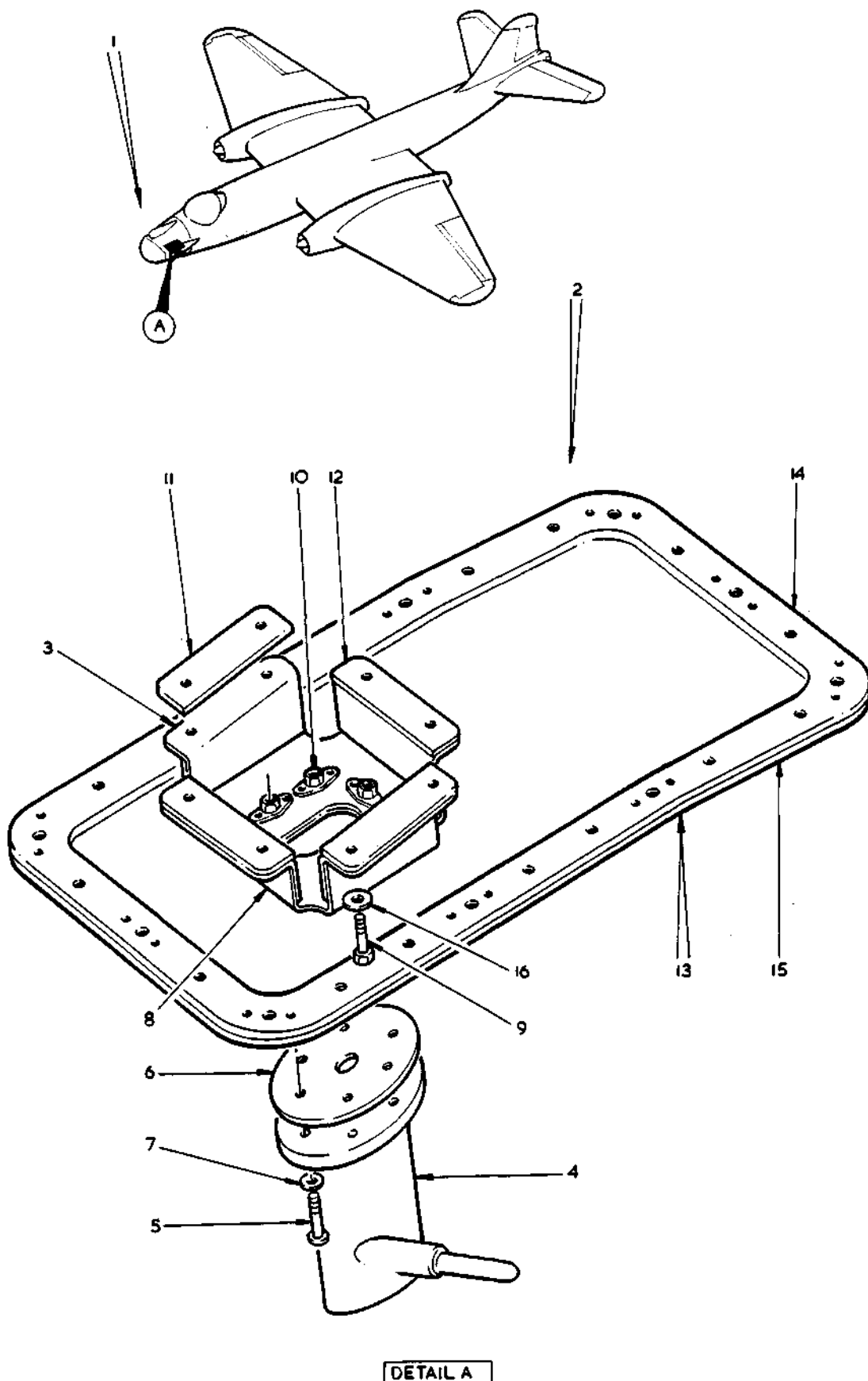


FIG 79 ARI 23166 AND ARI 23167



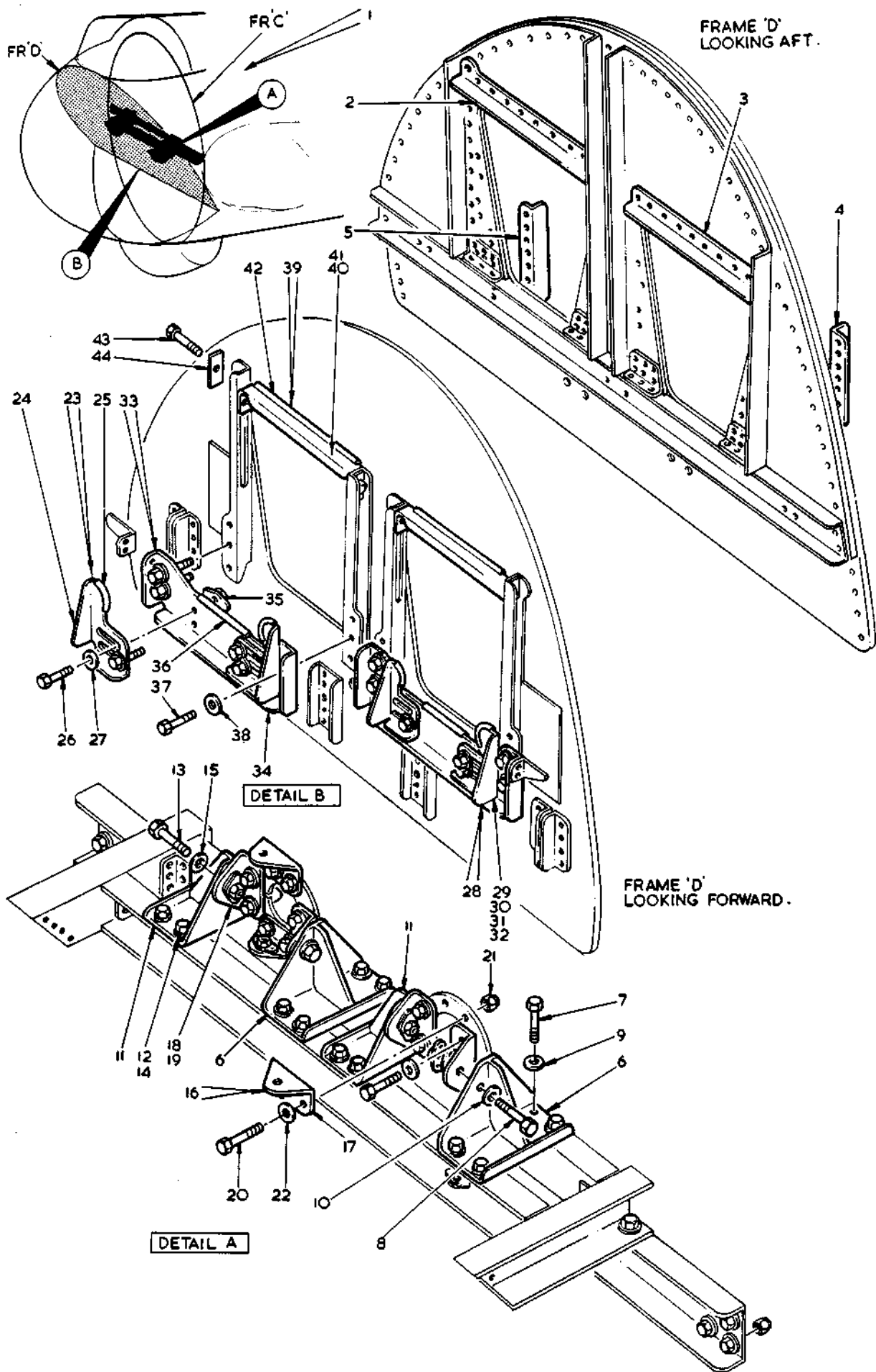


FIG 80 ARI 23166 AND ARI 23167



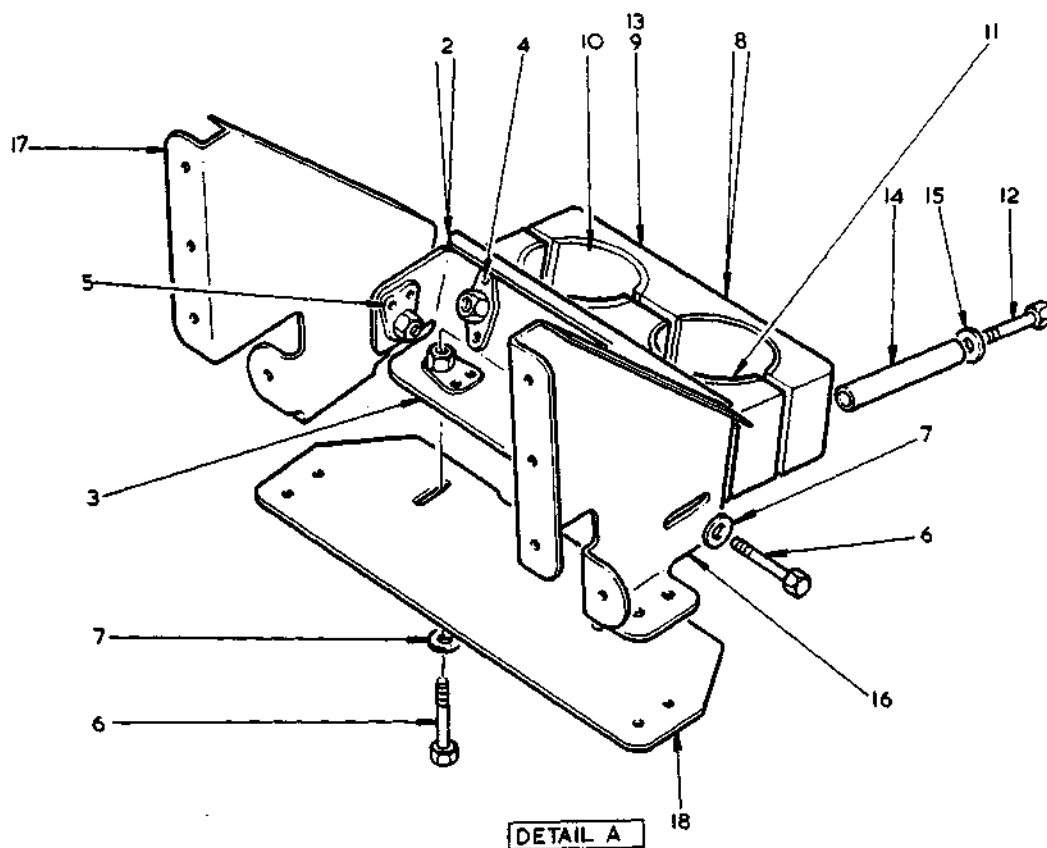
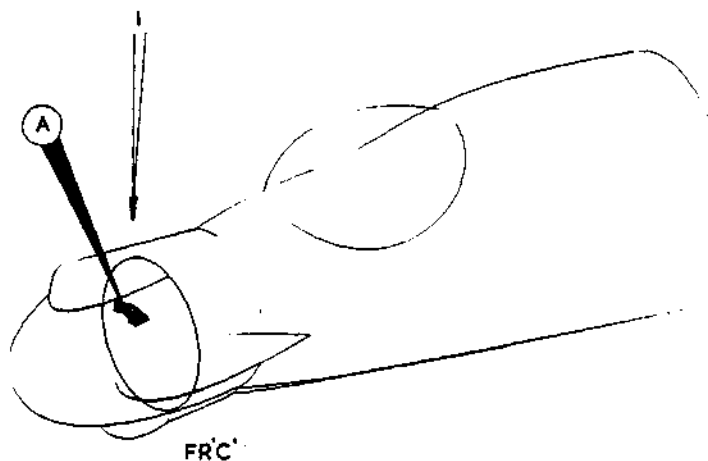


FIG 81 ARI 23166 AND ARI 23167



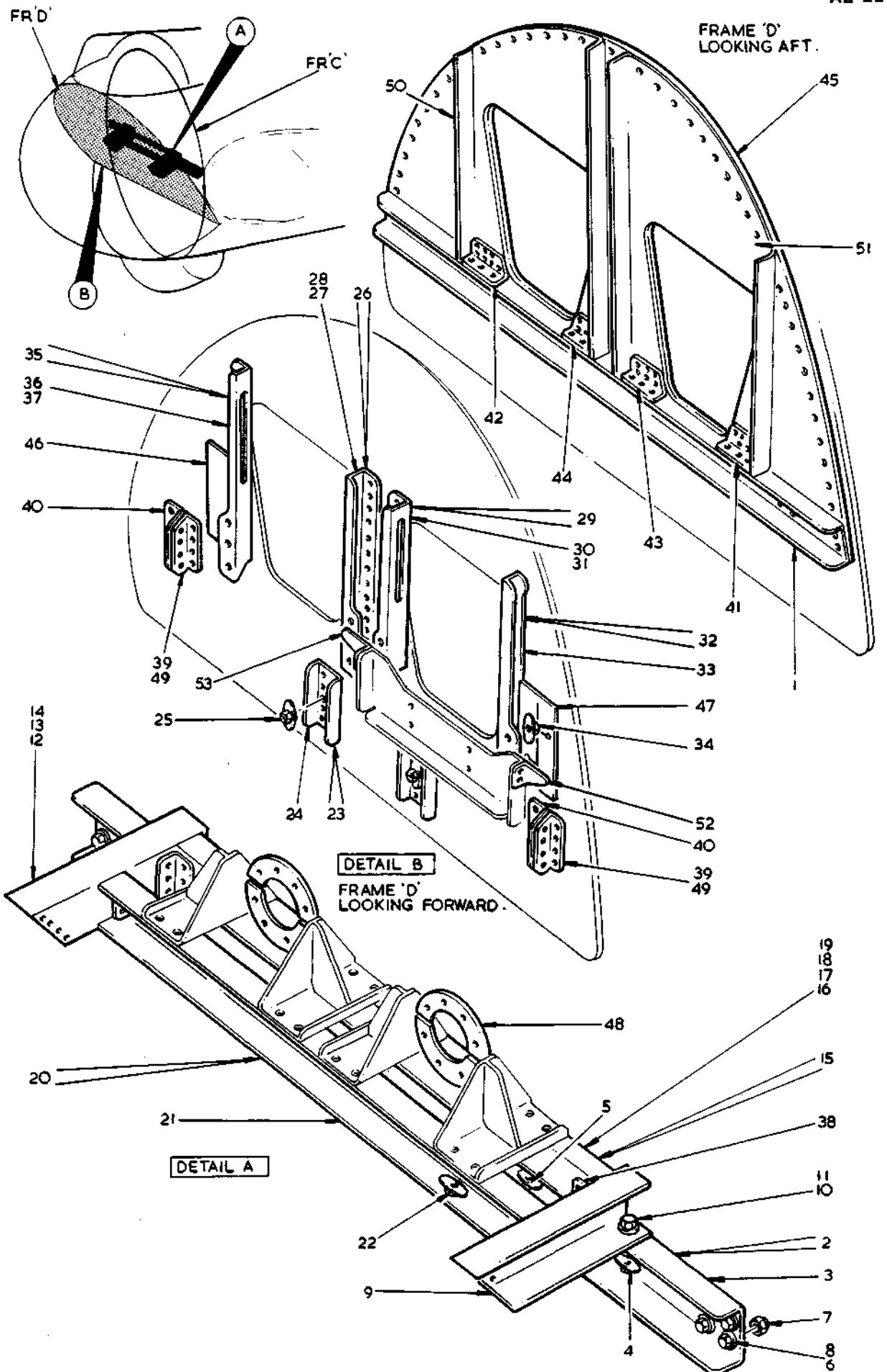


FIG 82 ARI 23166 AND ARI 23167



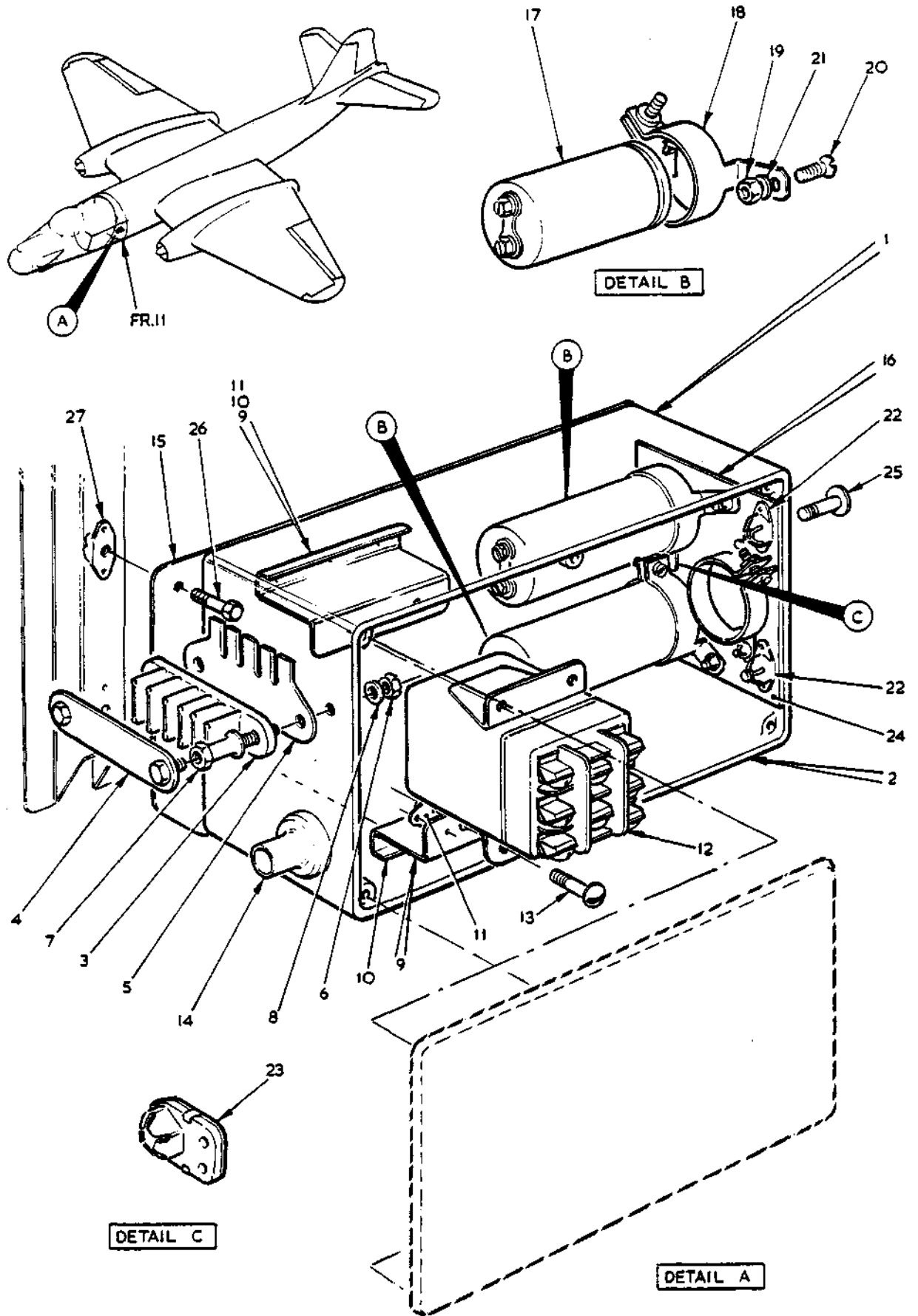


FIG.83 OMEGA NAVIGATION SYSTEM



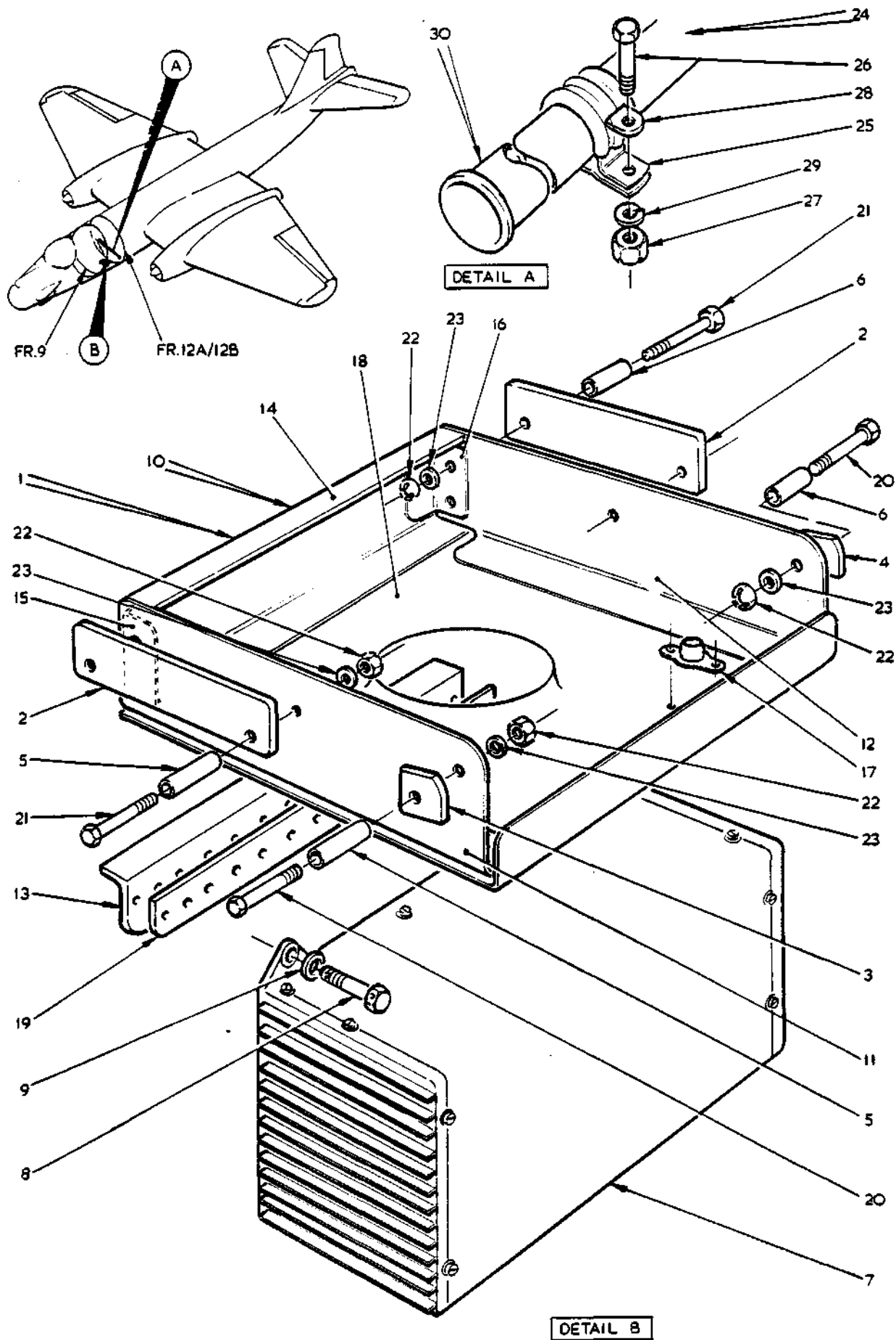


FIG.84 OMEGA NAVIGATION SYSTEM



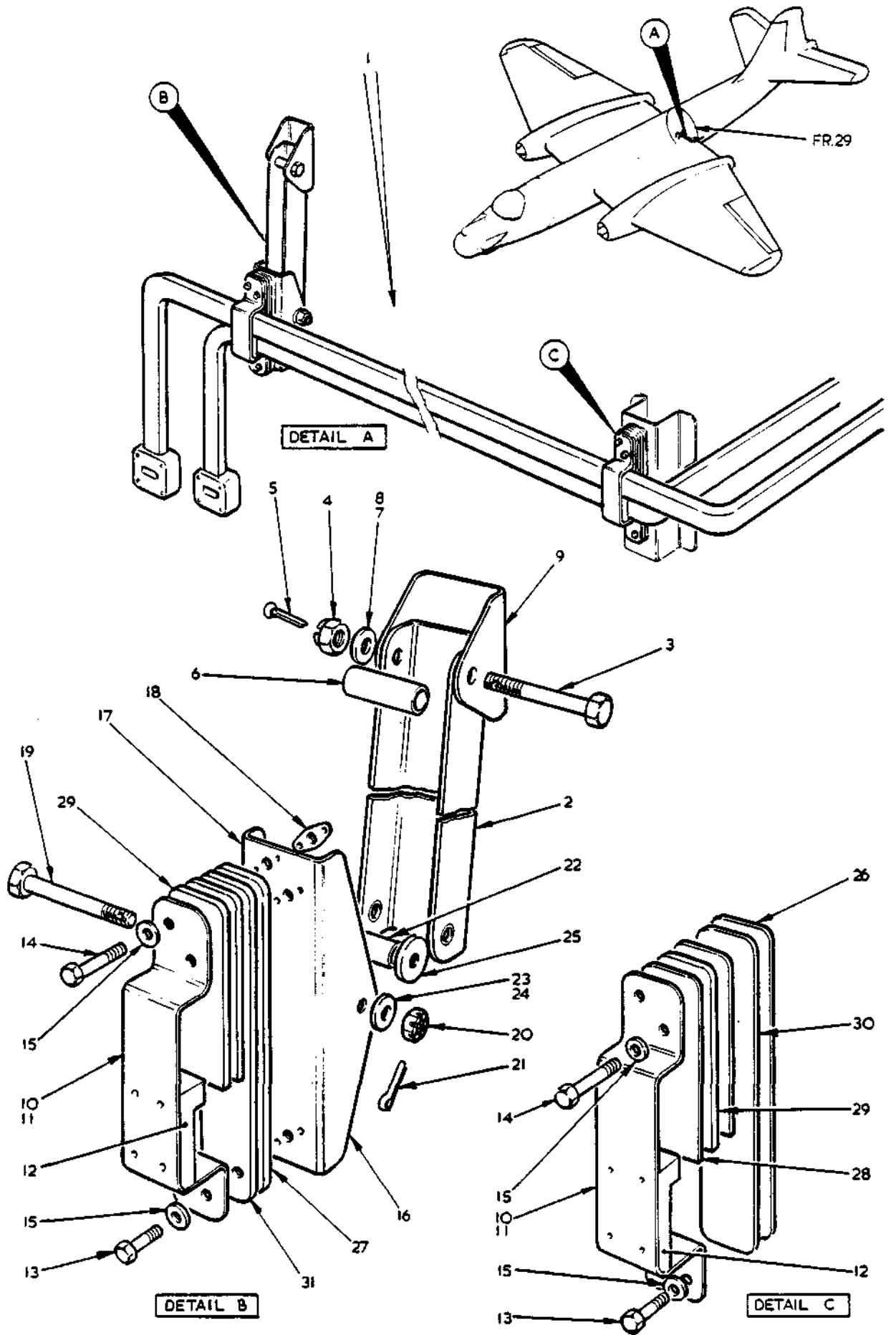


FIG.85 I/J BAND JAMMER SYSTEM



This file was downloaded
from the RTFM Library.

Link: www.scottbouch.com/rtfm

Please see site for usage terms,
and more aircraft documents.



LIGHTNING MK. 1
COVER PITOT HEAD
EB2-88-511