

TANKS

JETTISON WING FUEL TANK, 250-GALLON, PORT

Part Number	Description	No. Off	Matl. Spec.	Plate No.
EG7.00.237	JETTISONABLE WING FUEL TANK 250 GAL., INSTALLATION PORT (WITH VORTEX GENERATORS LESS DETONATORS) Consisting of:-	1	-	1/23
-	. ATTACHMENT DETAILS DROP TANK TO WING GROUP (EG7.00.61) Consisting of:-	-	-	
EA1.20.2031	. . . BOLT, explosive	3	L.40	1/49
EG7.81.2795	. . . DETONATOR FORWARD EXPLOSIVE BOLT GROUP Consisting of:-	1	-	1/7
EG7.81.2081	. . . CONDUIT DETONATOR ASSEMBLY (Pre-Mod 5267)	1	-	1/8
EG7.81.4023	. . . CONDUIT DETONATOR ASSEMBLY (Mod 5267) Spares for:-	1	-	
EA1.81.939 PLUG, detonator	1	-	1/20
A.E.I. TWT11 TUBING, P.T.F.E.	QR	-	1/22
R 12G9635205 DETONATOR, No.109, Mk.2	1	-	1/29
EEAS146/6 SLEEVE, 1" long	QR	-	1/4
EA1.81.938 SPRING	1	-	1/21
EA1.81.428 TUBE, detonator	1	-	1/27
EG7.81.2797	. . . DETONATOR REAR OUTBOARD EXPLOSIVE BOLT GROUP Consisting of:-	1	-	1/9
EG7.81.2082	. . . CONDUIT DETONATOR ASSEMBLY (Pre-Mod 5267)	1	-	1/10
EG7.81.4025	. . . CONDUIT DETONATOR ASSEMBLY (Mod 5267) Spares for:-	1	-	
EA1.81.939 PLUG, detonator	1	-	1/20
A.E.I. TWT11 TUBING, P.T.F.E.	QR	-	1/22
R 12G9635205 DETONATOR No.109 Mk.2	1	-	1/29
EEAS146/6 SLEEVE, 1" long	QR	-	1/4
EA1.81.938 SPRING	1	-	1/21
EA1.81.428 TUBE, detonator	1	-	1/27
EG7.81.2817	. . . DETONATOR REAR INBOARD EXPLOSIVE BOLT GROUP Consisting of:-	1	-	1/11
EG7.81.2819	. . . CONDUIT DETONATOR ASSEMBLY (Pre-Mod 5267)	1	-	1/12
EG7.81.4027	. . . CONDUIT DETONATOR ASSEMBLY (Mod 5267) Spares for:-	1	-	
EA1.81.939 PLUG, detonator	1	-	1/20
A.E.I. TWT11 TUBING, P.T.F.E.	QR	-	1/22
R 12G9635205 DETONATOR No.109 Mk.2	1	-	1/39
EEAS146/6 SLEEVE, 1" long	QR	-	1/4
EA1.81.938 SPRING	1	-	1/21
EA1.81.428 TUBE, detonator	1	-	1/27

TANKS

JETTISON WING FUEL TANK 250-GALLON PORT

Part Number	Description	No. Off	Matl. Spec.	Plate No.
				1 2 3 4 5 6
AGS2002Q1	. . . NUT, stiff, 5/8" BSF	3	-	1/31
EA1.57.1239	. . . PIPE, air break c/w stop	1	-	1/48
EA1.57.1241	. . . PIPE, fuel break c/w stop	1	-	1/47
EA1.20.8833	. . . WASHER, special explosive bolt	3	L.40	1/65
EA1.20.10505	. . . WASHER, special explosive bolt	3	DTD124	1/45
EA3.62.217	. . . TANK DROP GROUP (LESS ATTACHMENTS)	1	-	1/25
or BRISTOL A/C 75.04.001				
	Spares for:-			
EA3.62.113	. . . BLOCK, contact navigation light Attaching parts for EA3.62.113:-	1	-	1/32
A33B16	. . . Screw, 4 BA c'sk head	2	-	1/30
EA3.62.151	. . . BODY, filler cap Attaching parts for EA3.62.151:-	1	-	1/18
AS4563/1C	. . . Bolt, 2 BA c'sk head	18	-	1/14
EA2.62.57	. . . Ring, nut	1	-	1/16
EA2.62.71	. . . Washer, sealing	1	-	1/17
EA3.62.191	. . . CAP FILLER C/W INWARD VENT VALVE ASSEMBLY Spares for:-	1	-	1/1
EA3.62.219	. . . RING, locking (Mod 5239)	1	-	1/67
EA2.62.143	. . . WASHER, sealing filler cap	1	-	1/15
EA3.62.197	. . . WASHER, sealing vent valve head	1	-	1/13
-	. . . FUEL PIPE AND MOUNTING ASSEMBLY (EA3.62.73) Spares for:-	-	-	1/50
EA2.62.77	. . . BOLT-RING	1	-	
EA2.62.227	. . . CLIP	1	-	1/61
EA2.62.229	. . . CLIP	1	-	1/60
R SP91C	. . . CLIP (Alt R60/91 Mod 5101)	1	-	1/54
R SP91J	. . . CLIP, (Alt R60/91 Mod 5101)	1	-	1/53
EA2.62.123	. . . DISH, fuel pipe assembly	1	-	
EEAS164/20/25	. . . HOSE, fuel break pipe 1-1/4" i/d x 1-5/8" o/d x 2-1/2" long (Make from 32C/377)	1	DTD625 Type1	1/57
EEAS164/8/28	. . . HOSE, air break pipe, 1/2" i/d x 25/32" o/d x 2".8 long (Make from 32C/408)	1	DTD625 Type1	1/58
EA2.62.189	. . . PIPE, vent assembly	1	-	
EA2.62.197	. . . PLUG, stack fuel assembly	1	-	
EA1.57.339	. . . PLUG, wooden	1	-	
EA1.57.341	. . . PLUG, wooden	1	-	
EA2.62.203	. . . RING, joint	1	-	
EA2.62.79	. . . WASHER, jointing	1	-	
EA2.62.81	. . . WASHER,	1	-	
R EL1100	. . . LAMP, filament	1	-	1/44
R E & I 7733	. . . LAMP, navigation type 'B' Attaching parts for E & I 7733:-	1	-	1/41
R AGS2002A1	. . . Nut, stiff 6 BA	4	-	1/43
EA3.62.77	. . . PANEL, access top skin Attaching parts for EA3.62.77:-	1	-	1/3
AS1248/1C	. . . Bolt, 2 BA c'sk head	18	-	1/2
EA2.62.57	. . . Ring nut	1	-	1/6
EA2.62.71	. . . Washer sealing	1	-	1/5

TANKS

JETTISON WING FUEL TANK, 250-GALLON, PORT

Part Number	Description	No. Off	Matl. Spec.	Plate No.
R EA3.62.115	. . SEAL 'P' (Pre Mod.5282) (Make from EEAS121) (26FZ/4432)	1	-	1/28
R EA3.62.223	. . SEAL 'P' (Mod.5282) (Make from EEAS843) (26FZ/6147758)	1	-	1/28
EA3.62.189	. . SOCKET, EARTHING, GROUP Consisting of:	1	-	1/62
EA3.62.181	. . . CAP, sealing	1	L40	1/46
EA3.62.177	. . . SOCKET, earth plug	1	L40	1/59
EA3.62.183	. . . SPRING	1	DTD215	1/52
4100/4/3/8"	. . Attaching parts for EA3.62.189: Screw, self tapping, type Z	6	-	1/55
EA3.62.185	. . Washer, sealing	1	Neo-K-Tex	1/56
EA1.20.10897	. . VALVE, DRAIN, GROUP Spares for:	1	-	1/36
EA1.20.10901	. . . PLUG, DRAIN, GROUP Spares for:	1	-	1/37
EA1.20.10903 PLUG, housing	1	L40	1/38
EA1.20.10907 PLUG, 3/4" BSP	1	L40	1/39
EA1.20.10905 RING, hycatrol	1	Grade H.E.4	1/40
EA3.62.117	. . WASHER, special, 1/32"	50	Petrolite	
EA1.20.2903	. . WASHER, sealing	4	Neo-K-Tex	
EA2.62.59	. . WASHER, explosives bolt housing	3	-	
EA2.62.61	. . WASHER	3	-	

TANKS

JETTISON WING FUEL TANK, 250-GALLON, STARBOARD

Ref. No.	Part No.	Description							No. off	Matl. Spec.	Cl. of Equip. M.R. L.M.	Fig. and Index
		1	2	3	4	5	6	7				
43134	E.G7.00.28 ²³⁸	JETTISONABLE WING FUEL TANK, 250 GAL., INSTALLATION, STARBOARD (WITH VORTEX GENERATORS, (LESS DETONATORS) Consisting of:— ATTACHMENT DETAILS, DROP TANK TO WING, GROUP, (E.G7.00.62) Spares for this group are identical with those for group Pt. No. E.G7.00.61 on page Q1							1	—	A	1/24
14684	E.A3.62.218 or BRISTOL A/c 75.04.0002	TANK, DROP, GROUP (LESS ATTACHMENTS) Spares for this group are identical with those for group Pt. No. E.A3.62.217 on page Q2 except for the following deletions and additions Delete:—							1	—	A	1/26
R 5CX/4330018	†	FUEL PIPE AND MOUNTING, ASSEMBLY (E.A2.62.73)							—	—	—	1/50
		LAMP, navigation, type B Add:—							1	—	B	1/41
		FUEL PIPE AND MOUNTING, ASSEMBLY (E.A2.62.74) Spares for this assembly are identical with those for Pt. No. E.A2.62.73 on page Q2, except Ref. 1438654 and 1438655 are deleted and replaced by:—							—	—	—	1/51
R 1438658 1438608 5CX/1043490	E.A2.62.124 E.A2.62.190 †	DISH, fuel pipe, assembly PIPE, vent, assembly LAMP, navigation, type B							1 1 1	— — —	MR MR B	1/42

TANKS

WINDOW DISPENSING CONTAINER, PORT

Part Number	Description 1 2 3 4 5 6	No. Off	Matl. Spec.	Plate No.
EG7.00.231	CONTAINER, WINDOW DISPENSING, PORT, ASSEMBLY (EG7.84.1) Spares for:—	1	—	
—	. CONTAINER, WING TIP (EG7.84.5) Spares for:—	—	—	
EG7.84.249	. . BUSH, fork-end mounting Attaching parts for EG7.84.249:—	1	L65	3/27
EEAS1/2C	. . Screw, 2 BA 120 ^o c'sk head	3	S96	3/35
AGS2002/C/1	. . Nut, 2 BA, stiff	3	—	3/37
SP15/C	. . Washer, 2 BA plain	3	—	3/36
EG7.84.251	. . FORK-END, locking strut pivot Attaching parts for EG7.84.251:—	1	L65	3/33
A29/ES	. . Nut, 1/4" BSF slotted	1	—	3/30
SP90/C5	. . Pin, split	1	—	3/29
SP15/E	. . Washer, 1/4" BSF plain	1	—	3/28
EG7.84.9	. . FAIRING, HOSE, HINGED, ASSEMBLY Spares for:—	1	—	2/4
EG7.84.1221	. . . BRACKET, stop mounting Attaching parts for EG7.84.1221:—	2	L73	2/14
AGS2002/C/1	. . . Nut, 2 BA stiff	3	—	2/15
EEAS1/3C	. . . Screw, 2 BA, 120 ^o c'sk head	1	S96	2/21
EEAS1/4C	. . . Screw, 2 BA, 120 ^o c'sk head	2	S96	2/20
SP15/C	. . . Washer, 2 BA plain	3	—	2/18
EG7.84.215	. . . BRACKET, support	1	L72	3/1
EG7.84.203	. . . BUSH, hinge	4	Phos. Bronze	2/1
—	. . . FAIRING, INSTALLATION (EG7.84.1209) Spares for:—	—	—	3/19
EG7.84.1211 FAIRING Attaching parts for EG7.84.1211:—	1	Spruce	3/20
4111/6-1/4 Screw, P.K. No.6 round head	6	S.S.	3/24
4111/6-3/4 Screw, P.K. No.6 round head	14	S.S.	3/25
13-98-062 or KING A/C	. . . FASTENER, attachment fitting (AS4788)	2	—	2/19
D18219	. . . FASTENER, attachment fitting	2	—	2/19
EG7.84.207	. . . PACKING, support bracket	1	L72	3/4
EA3.62.43	. . . PLATE, lamp mounting	1	—	3/2
EEAS541	. . . SEAL	QR	Synthetic Rubber	3/18
EG7.84.1215	. . . SHIM, stop mounting	2	LA3	2/13
EG7.84.183	. . . SPIGOT, locating, male	1	S96	3/3
EG7.84.1213	. . . STOP	2	L65	2/10
EG7.84.115	. . HOUSING, spigot, guide rail Attaching parts for EG7.84.115:—	1	S96	3/14
EEAS1/2C	. . Screw, 2 BA, 120 ^o c'sk head	2	S96	3/9
EG7.84.219	. . Shim	1	LA3	3/16
SP15/C	. . Washer, 2 BA plain	2	—	3/17
EG7.84.116	. . HOUSING, spigot, guide rail Attaching parts for EG7.84.116:—	1	S96	3/15
EEAS1/2C	. . Screw, 2 BA, 120 ^o c'sk head	2	S96	3/9
EG7.84.219	. . Shim	1	LA3	3/16
SP15/C	. . Washer, 2 BA plain	2	—	3/17

TANKS

WINDOW DISPENSING CONTAINER, PORT

Part Number	Description	No. Off	Matl. Spec.	Plate No.
EA2.62.47	. . HOUSING, bolt, forward Attaching parts for EA2.62.47:—	1	—	4/20
A60/18E	. . Bolt, 1/4" BSF, hex. head	6	—	4/25
A27/ET	. . Nut, 1/4" BSF, thin	6	—	4/23
SP15/E	. . Washer, 1/4" BSF, plain	6	—	4/24
EA2.62.49	. . HOUSING, bolt, aft, inboard Attaching parts for EA2.62.49:—	1	—	4/15
A60/19E	. . Bolt, 1/4" BSF, hex. head	4	—	4/14
A27/ET	. . Nut, 1/4" BSF, thin	4	—	4/12
SP15/E	. . Washer, 1/4" BSF, plain	4	—	4/13
EA2.62.51	. . HOUSING, bolt, aft, outboard Attaching parts for EA2.62.51:—	1	—	4/10
A60/19E	. . Bolt, 1/4" BSF, hex. head	4	—	4/11
A27/ET	. . Nut, 1/4" BSF, thin	4	—	4/7
SP15/E	. . Washer, 1/4" BSF, plain	4	—	4/8
R 13-98-049 or R C18217	. . HOUSING, fastener	2	—	2/12
EA3.62.155	. . PACKING, taper, forward bolt housing	1	L72 or L73	4/19
EA2.62.141	. . PACKING, forward bolt housing	1	—	4/17
EA3.62.111	. . PACKING, bolt, housing, aft, inboard	1	—	4/1
EA3.62.109	. . PACKING, bolt, housing, aft, outboard	1	—	4/2
EG7.84.399	. . PAD, compression, diaphragm 5 Attaching parts for EG7.84.399:—	1	L65	2/23
A25/4C	. . Bolt, 2 BA, hex. head	4	—	2/22
EG7.84.671	. . Shim	1	LA3	2/25
EG7.84.1091	. . PANEL, access, inboard, forward diaphragm 3	1	—	4/22
EG7.84.521	. . PANEL, access, outboard forward Attaching parts for EG7.84.521:—	1	—	5/28
EEAS1/1E	. . Screw, 1/4" BSF, 120° c'sk head	18	S96	5/24
EG7.84.523	. . PANEL, access, inboard Attaching parts for EG7.84.523:—	1	—	5/26
EEAS1/1E	. . Screw, 1/4" BSF, 120° c'sk head	18	S96	5/25
EG7.84.525	. . PANEL, access, outboard, aft Attaching parts for EG7.84.525:—	1	—	5/30
EEAS1/1E	. . Screw, 1/4" BSF, 120° c'sk head	18	S96	5/23
SP113/E14	. . PIN, shear, nose hinge	4	—	2/2
EA3.62.53	. . PLATE, sealing, bolt housing Attaching parts for EA3.62.53:—	3	L72	4/4
A33/C16	. . Screw, 2 BA c'sk head	12	—	4/3
EG7.84.113	. . RAIL, loading Attaching parts for EG7.84.113:—	1	L73	3/12
A25/1C	. . Bolt, 2 BA, hex. head	1	—	3/8
EEAS1/1C	. . Screw, 2 BA, 120° c'sk head	17	S96	3/5
EEAS1/5C	. . Screw, 2 BA, 120° c'sk head	2	S96	3/11
AGS2002/C/1	. . Nut, stiff, 2 BA	20	—	3/6
SP15/C	. . Washer, 2 BA plain	20	—	3/7

TANKS
WINDOW DISPENSING CONTAINER, PORT

Ref. No.	Part No.	1 2 3 4 5 6 7						Description	No. off	Matl. Spec.	Cl. of Equip. M.R. L.M.	Fig. and Index
43532	E.G7.84.114	RAIL, loading							1	L73	MR	3/13
		Attaching parts for E.G7.84.114—										
28D/9436920	A.25/1C	Bolt, 2 BA hex. head							1	—	C	3/8
1025	EEAS.1/1C	Screw, 2 BA 120° c'sk head							17	S96	C	3/5
1030	EEAS.1/5C	Screw, 2 BA 120° c'sk head							2	S96	C	3/11
28M/9433473	AGS.2002/C/1	Nut, stiff, 2 BA							20	—	C	3/6
28W/9419474	SP.15/C	Washer, 2 BA plain							20	—	C	3/7
26DK/12928	EEAS.321	SEAL, aft edge hinged nose							QR	Butyl Rubber	C	3/21
	—	SEALS, CARTRIDGE DISCHARGER, INSTALLATION (E.G7.84.35)							—	—	—	5/20
		Spares for:—										
	E.G7.84.1019	PLATE, sealing, inboard, inboard forward matrix							1	L72	—	5/12
	E.G7.84.1021	PLATE, sealing, outboard, inboard forward matrix							1	L72	—	5/14
	E.G7.84.1023	PLATE, sealing, inboard, outboard forward matrix							1	L72	—	5/16
	E.G7.84.1025	PLATE, sealing, outboard, outboard forward matrix							1	L72	—	5/18
	E.G7.84.1027	PLATE, sealing, inboard, aft matrix							1	L72	—	5/1
	E.G7.84.1029	PLATE, sealing, outboard, aft matrix							1	L72	—	5/7
	E.G7.84.1031	PLATE, sealing, forward and aft ends of matrices, except aft diaphragm 6							5	L72	—	5/10
	E.G7.84.1049	PLATE, sealing, aft, aft matrix							1	L72	—	5/5
28S/1011490	A.32/C/16	SCREW, 2 BA round head							9	—	C	5/11
28S/1007443	A.32/C/18	SCREW, 2 BA round head							48	—	C	5/3
28S/1011491	A.32/C24	SCREW, 2 BA round head							4	—	C	5/9
28S/1011492	A.32/C28	SCREW, 2 BA round head							4	—	C	5/6
28S/9137828	A.32/C32	SCREW, 2 BA round head							1	—	C	5/4
42601	WILKINSON AP/100	SEAL, 'P'							QR	S/H 40-50	C	5/22
6159	E.A2.62.221	SHIM, laminated, forward bolt housing							2	—	C	4/26
6160	E.A2.62.223	SHIM, laminated, outboard, aft bolt housing							2	—	C	4/9
42592	E.G7.84.1215	SHIM, laminated, stop mounting							2	LA3	C	2/11
6161	E.A2.62.225	SHIM, laminated, inboard, aft bolt housing							2	—	C	4/16
43552	E.G7.84.1213	STOP, nose fastener							2	L65	C	2/9
	E.A3.62.115	STRIP, sealing (Make from Ref. 4432)							1	—	LM	2/3
	E.G7.84.1115	STRIP, rubbing, guide rail spigot housing, .75 x 1".65 x $\frac{1}{16}$ " thick (Make from 32C/432 or 32C/612)							2	DTD. 900/4195	LM	3/10
42602	E.G7.84.243	STRUT, locking, hinged nose, assembly							1	—	B	3/32
		Spares for:—										
	EEAS.315/4	LANYARD (Make from 26DK/2381)							1	—	LM	3/22
28FP/9485292	A.405	PIN, pip, $\frac{1}{4}$ " dia.							1	—	C	3/23
		Attaching parts for E.G7.84.243—										
28N/1046381	SP.121/E	Collar							1	—	C	3/26
28P/16322	SP.113/E4	Pin, shear							1	—	C	3/34
28P/9486478	SP.90/C5	Pin, split							1	—	C	3/31

TANKS
WINDOW DISPENSING CONTAINER, PORT

Ref. No.	Part No.	Description							No. off	Matl. Spec.	Cl. of Equip. M.R. L.M.	Fig. and Index
		1	2	3	4	5	6	7				
42603	E.G7.84.665	TOP-HAT, assembly, station 106, centre arming lever							1	-	C	2/16
6153	E.A2.62.59	WASHER, sealing, bolt housings							3	-	C	4/5
6154	E.A2.62.61	WASHER, sealing, bolt housings							3	-	C	4/6
-	-	DISPENSER, CONVENTIONAL WINDOW (E.G7.84.11)							-	-	-	6/2
42604	E.G7.84.17	CHUTE, RELEASE, ASSEMBLY							1	-	B	6/3
26DK/8576	EEAS.290	SEAL, $\frac{7}{32}$ " o/d x 30" long							1	Neoprene	C	6/4
26DK/12928	EEAS.321	SEAL, $\frac{5}{16}$ " o/d x 1.85 long							2	Butyl Rubber	C	6/5
	EEAS.315/4	LANYARD, pip pin retaining (Make from 26DK/2381)							1	-	LM	6/33
	E.G7.84.15	MAGAZINE, CONVENTIONAL WINDOW							1	-	-	6/9
42605	E.G7.84.257	HOUSING, spigot, stripper unit Attaching parts for E.G7.84.257 -							4	L65	C	6/18
28D/9133011	A.25/2C	Bolt, 2 B.A. hex. head							8	-	C	6/13
28M/1278190	AGS.2001/C/1	Nut, stiff, 2 BA							8	-	C	6/21
42606	E.G7.84.273	Shim							4	LA3	C	6/19
28W/9419474	SP.15/C	Washer, 2 BA plain							8	-	C	6/20
	E.G7.84.271	HOUSING, retaining pin							1	S96	-	6/30
42607	E.G7.84.1129	LID, MAGAZINE, ASSEMBLY							1	L73	B	6/1
28FP/1014631	A.3/25	FASTENER, dzus							11	-	C	6/31
28FP/9138002	GA.3/175	GROMMET, dzus							11	-	C	6/32
28N/9411950	AS.1878/445	HINGE							1	-	LM	6/8
26DK/8576	EEAS.290	SEAL, $\frac{7}{32}$ " o/d x 12".25 long							1	Neoprene	C	6/6
42608	E.G7.84.267	ROLLER, magazine							2	Nylon 66	C	6/23
	E.G7.84.265	SPINDLE, roller							2	L65	-	6/22
26DK/12928	EEAS.321	SEAL, $\frac{5}{16}$ " o/d x 11".25 long							1	Butyl Rubber	C	6/7
42609	E.G7.84.259	SPIGOT, front Attaching parts for E.G7.84.259 -							2	S96	C	6/15
28M/9480017	AGS.2001/E/1	Nut, stiff, $\frac{1}{4}$ " BSF							2	-	C	6/17
28W/9419405	SP.15/E	Washer, $\frac{1}{4}$ " BSF plain							2	-	C	6/16
42610	E.G7.84.261	SPIGOT, rear Attaching parts for E.G7.84.261 -							2	S96	C	6/27
1028	EEAS.1/3C	Screw, 2 BA 120°c°sk head							4	-	C	6/28
28M/1278190	AGS.2001/C/1	Nut, stiff, 2 BA							4	-	C	6/25
28W/9419474	SP.15/C	Washer, 2 BA plain							4	-	C	6/26
42611	E.G7.84.325	STOP, rubber, rear spigot, $\frac{7}{8}$ " o/d x $\frac{1}{2}$ " l/d x $\frac{1}{2}$ " long							2	DTD.625	C	6/29
28FP/9469299	A.409	PIN, pip, $\frac{1}{4}$ " dia. retaining front end							1	-	C	6/24
10AS/3735	TILTMAN LANGLEY 167156	STRIPPER, window, low temperature							1	-	A	6/10
28N/1046382	SP.121/C	Attaching parts for 167156 - Collar, $\frac{1}{4}$ "							4	-	C	6/11
28P/16272	SP.113/C7½	Pin, shear, $\frac{1}{4}$ "							4	-	C	6/14
28P/9486478	SP.90/C5	Pin, split							4	-	C	6/12

WINDOW DISPENSING CONTAINER, PORT

Ref. No.	Part No.	Description							No. off	Matl. Spec.	Cl. of Equip. M.R. L.M.	Fig. and Index
		1	2	3	4	5	6	7				
	-	ELECTRICAL, EQUIPMENT, PORT CONTAINER							-	-	-	7/1
		(E.G7.81.307)										
		Spares for:-										
26DK/4716	NATIONAL PLASTICS X.114	BEADING, P.V.C., diaphragm 1 and 2, and wing connection							QR	-	C	7/3
5CZ/4329841	WARD BROOKE WB/UN/1146/S/3/W	BLOCK, terminal, 3-way							1	-	C	7/7
		Attaching parts for 5CZ/4329841:-										
28M/1278189	AGS.2001/B/1	Nut, stiff, 4 BA							2	-	C	7/10
R 5CZ/9523382	WARD BROOKE WB/1114/28	Pillar, fixing							2	-	C	7/14
	42612	BOLT, special, earthing, distributor box							1	S1	C	7/12
5CZ/1035005	WARD BROOKE WB/NY/1110/B/3	COVER, terminal block							1	-	C	7/9
	33H/	COMPOUND, sealing, bostik 2102							QR	DTD900/4686	C	7/16
5F/9445824	SUPERFLEXIT SC.001-10/18	CONDUIT, nose hinge							1	-	C	7/6
R 5X/6156860	SUPERFLEXIT SCF.1312-10	CLIP, "P", nose hinge							2	-	-	7/22
	E.G7.81.2061	FAIRLEAD, assembly, diaphragm 4							1	-	-	7/15
		Attaching parts for E.G7.81.2061:-										
28D/9133011	A25/2C	Bolt, 2 BA hex. head							4	-	C	7/11
	-	LOOMS, CABLE (E.G7.81.319)							-	-	-	7/2
		Spares for:-										
	E.G7.81.527	CABLE, ASSEMBLY, P.451, FROM WING-TIP							1	-	-	7/5
		BREAK TO STRIPPER UNIT, GROUP										
		Spares for:-										
	5E/9993758	CABLE, uninyvin 12							QR	-	C	
	5E/9568884	CABLE, unyvinmetsheath 16							QR	-	C	
	5E/9467424	CABLE, uninyvin 20							QR	-	C	
	5E/9467180	CABLE, uniersil 20							QR	-	C	
	10AD/9443891	CLAMP, cable							1	-	C	
	10AD/1107228	CLAMP, cable							1	-	C	
	10H/1107227	CLAMP, cable							1	-	C	
	26DK/23707	CLIP, bonding, assembly							1	-	C	
R 10AR/9504382	508/2/07706/300	GASKET, outlet							1	-	C	
	5X/4501236	GASKET, outlet							1	-	C	
R 10AS/9525135	508/2/07722/300	GASKET, union							1	-	C	

Page Q86		TANKS										
WINDOW DISPENSING CONTAINER, PORT.												
Ref. No.	Part No.	Description							No. off	Matl. Spec.	Cl. of Equip. M.R. L.M.	Fig. and Index
		1	2	3	4	5	6	7				
R	10AS/1051288	508/2/07721/300										
	10H/	508/2/07652/001										
R	10H/0142912	508/2/07649/001										
	10H/	BMS FIX.32-7P										
R	5X/9717835	508/2/04368										
R	5X/9717833	508/2/04367										
R	10AD/9152321	22.111033										
R	10AD/9472687	508/2/03547/002										
R	10AD/5809603	508/2/05604/002										
R	10AS/1051296	508/2/07709/300										
R	10AS/0142929	508/2/07710/300										
R	10AC/0970097	508/2/07757/007										
R	10AC/0970095	508/2/07754/007										
R		EEAS.146/2										
R		EEAS.146/2										
R		EEAS.146/6										
R		EEAS.146/12										
R		EEAS.146/16										
R	10H/9550790	691(ET)-10-3S										
R	10H/9532017	508/1/07009/220										
R	10H/944063	508/1/07000/220										
R	5X/9462951	HC.294										
R	5X/5808952	22.139603										
		E.G7.81.529										
R	5E/9012998	†										
		PC.68-10										
R	10AD/9443891	CC.610/037										
	10H/9557011	691(ET)-10-3P										

7/4

TANKS

WINDOW DISPENSING CONTAINER, PORT

Ref. No.	Part No.	Description	No. off	Matl. Spec.	Cl. of Equip. M.R. L.M.	Fig. and Index
R	EEAS.146/6	SLEEVE, 3/4" long	QR	—	—	
R	EEAS.146/16	SLEEVE, 1/4" long	QR	—	—	
10H/9550790	681(ET)-10-3S	SOCKET, fixed, Mk. 6, 3-way	1	—	C	
	—	LIGHT, NAVIGATION, PORT, ASSEMBLY (E.G7.81.403)	—	—	—	7/17
		Spares for:—				
R	5E/9467424	↑ CABLE, uninyvin 20	QR	—	C	7/27
	5L/9952431	↑ LAMP, filament, 28v, 24w	1	—	C	7/21
R	5CX/4330018	↑ LAMP, navigation, type 'B', port	1	—	C	7/18
		Attaching parts for 5CX/4330018:—				
R	28M/9418829	AGS.2002/A/1 Nut, stiff, 6 BA	4	—	C	7/23
	5F/9133798	HT.30 SLEEVE, Helsyn 150, white, 1/2" long	1	—	C	7/26
R	EEAS.146/12	SLEEVE, 1-1/2" long	QR	—	—	7/25
R	EEAS.146/12	SLEEVE, 1" long	QR	—	—	7/20
R	EEAS.146/20	SLEEVE, 3/4" long	QR	—	—	7/19
	5X/9462951	HC.294 TERMINAL, ring tag	2	—	C	7/24
	5K/	M.A.M. SLEEVE, 3 m/m i/d, pink, 3/8" long	3	—	—	7/8
	26DK/7410	CXH WASHER, tapped, 4 BA, earth bolt	1	L72	C	7/13
	EEAS.232	DISCHARGER, CARTRIDGE, INSTALLATION (E.G7.84.13)	—	—	—	9/2
		Spares for:—				
	42613	E.G7.84.837 BRACKET, bearing, lock-notched	3	—	C	9/34
		Attaching parts for E.G7.84.837:—				
	42614	E.G7.84.873 Bolt, 2 BA special	3	—	C	9/38
	42615	E.G7.84.871 Bolt, 5/16" BSF special	3	—	C	9/27
	42616	E.G7.84.947 BOLT, special, turnbuckle attaching	6	BAC.M37	C	10/23
	42617	E.G7.84.963 CRANK, ASSEMBLY, OUTBOARD TORQUE TUBE	1	—	C	12/23
		Spares for:—				
R	28N/4186638	HOFFMANN CJ.0 JOINT, self aligning	1	—	C	12/13
		Attaching parts for E.G7.84.963:—				
	28D/1010030	A.25/7C Bolt, 2 BA hex. head	1	—	C	12/16
	28M/1278190	AGS.2001/C/1 Nut, stiff, 2 BA	1	—	C	12/22
	42618	E.G7.84.965 CRANK, ASSEMBLY, INBOARD TORQUE TUBE	1	—	C	12/12
		Spares for:—				
R	28N/4186638	HOFFMANN CJ.0 JOINT, self aligning	1	—	C	12/1
		Attaching parts for E.G7.84.965:—				
	28D/1010030	A.25/7C Bolt, 2 BA hex. head	1	—	C	12/2
	28M/1278190	AGS.2001/C/1 Nut, stiff, 2 BA	1	—	C	12/11

TANKS
WINDOW DISPENSING CONTAINER, PORT

Ref. No.	Part No.	Description	No. off	Matl. Spec.	Cl. of Equip. M.R. L.M.	Fig. and Index
42619	E.G7.84.1035	HOUSING, bearing, torque tubes, assembly	2	—	C	12/14
		Attaching parts for E.G7.84.1035:—				
28D/9133011	A.25/2C	Bolt, 2 BA hex. head	4	—	C	12/3
28M/9403520	A.27/CP	Nut, 2 BA plain	4	—	C	12/4
42620	E.G7.84.675	HOUSING, spring, stay bar	3	S96	C	9/35
42621	E.G7.84.843	LEVER, ARMING, SUB-ASSEMBLY,	1	—	B	9/37
		STATION 104				
		Spares for:—				
	E.G7.84.677	BAR, stay	1	S96	—	9/25
		Attaching parts for E.G7.84.677:—				
42627	E.G7.84.863	Pin	1	S96	C	9/26
1439307	E.G7.84.865	BUSH, pivot, top bracket	2	P.T.F.E.	C	9/7
	E.G7.84.1243	LATCH	1	S96	—	9/21
42622	E.G7.84.877	LINK, ARMING, FRONT,	1	—	B	9/14
		INBOARD, ASSEMBLY				
		Spares for:—				
	E.G7.84.1043	EYE-END, ASSEMBLY	1	—	—	9/12
		Spares for:—				
	E.G7.84.875	EYE-END	1	S96	—	9/20
R 28N/4186638	HOFFMANN	JOINT, self-aligning	1	—	C	9/11
	CJ.0					
	26DK/4131	FORK-END	1	S95	C	9/16
28M/1007403	A.27/ET	NUT, 1/4" BSF thin	2	—	C	9/13
	E.G7.84.879	ROD	1	S96	—	9/15
		Attaching parts for E.G7.84.877:—				
	42623	Bolt, 4 BA special	1	BAC.M37	C	9/10
	26DK/3477	Bolt, 4 BA special	1	BAC.M37	C	9/17
	26DK/3485	Nut, 4 BA special	1	BAC.M37	C	9/24
	42624	Nut, 4 BA, slotted, special	1	BAC.M37	C	9/8
R 28P/9559603	SP.90/C6	Pin, split	2	—	C	9/9
	42625	PLATE, spring	1	S513	C	9/30
		Attaching parts for E.G7.84.1201:—				
	28S/9451798	Screw, 4 BA round head	2	—	C	9/33
	28W/9128182	Washer, 4 BA spring	2	—	C	9/31
	43090	SLEEVE	1	T35	C	9/19
	42626	SPRING, stay bar	1	DTD865	C	9/18
		Attaching parts for E.G7.84.1241:—				
	42627	Pin	1	S96	C	9/23
	42628	LEVER, ARMING, SUB-ASSEMBLY,	1	—	B	11/34
		STATION 106				
		Spares for:—				
	E.G7.84.677	BAR, stay	1	S96	—	11/27
		Attaching parts for E.G7.84.677:—				
	42627	Pin	1	S96	C	11/28
1439307	E.G7.84.865	BUSH, pivot, top bracket	2	P.T.F.E.	C	11/18
				Spec. D.Q.		
	E.G7.84.1243	LATCH	1	S96	—	11/14

TANKS

WINDOW DISPENSING CONTAINER, PORT

Ref. No.	Part No.	Description	No. off	Matl. Spec.	Cl. of Equip. M.R. L.M.	Fig. and Index
	42629 E.G7.84.849	LINK, ARMING, ASSEMBLY, CENTRE INBOARD	1	—	B	11/22
	E.G7.84.903	Spares for:— EYE-END, ASSEMBLY	1	S92	—	11/21
R	28N/4186638 HOFFMANN CJ.0	Spares for:— JOINT, self-aligning	1	—	C	11/20
	26DK/4131 E.B2.47.375	FORK-END	1	S95	C	11/36
	28M/1007403 A.27/ET	NUT, 1/4" BSF thin	1	—	C	11/24
	E.B2.47.405	ROD-END	1	BAC.M37	—	11/23
	42623 E.G7.84.855	Attaching parts for E.G7.84.849:— Bolt, 4 BA, special	1	BAC.M37	C	11/19
	26DK/3477 E.B2.47.441	Bolt, 4 BA, special	1	BAC.M37	C	11/32
	42624 E.G7.84.857	Nut, 4 BA, slotted, special	1	BAC.M37	C	11/17
	26DK/3485 E.B2.47.443	Nut, 4 BA special	1	BAC.M37	C	11/29
R	28P/9559603 SP.90/C6	Pin, split	2	—	C	11/16
	42625 E.G7.84.1201	PLATE, spring	1	S513	C	11/33
	28S/9451798 A.36/B14	Attaching parts for E.G7.84.1201:— Screw, 4 BA round head	2	—	C	11/30
	28W/9128182 SP.55/B	Washer, 4 BA, spring	2	—	C	11/31
	43090 E.G7.84.1289	SLEEVE	1	T35	C	11/25
	42626 E.G7.84.1241	SPRING, stay bar	1	DTD.865	C	11/15
	42627 E.G7.84.863	Attaching parts for E.G7.84.1241:— Pin	1	S96	C	11/26
	42630 E.G7.84.847	LEVER, ARMING, SUB-ASSEMBLY, STATION 110	1	—	B	10/21
	E.G7.84.677	Spares for:— BAR, stay	1	S96	—	10/17
	42627 E.G7.84.863	Attaching parts for E.G7.84.677:— Pin	1	S96	C	10/16
	1439307 E.G7.84.865	BUSH, pivot, top bracket	2	P.T.F.E.	C	10/6
	E.G7.84.1243	LATCH	1	S96	—	10/2
	42631 E.G7.84.853	LINK, ARMING, ASSEMBLY, REAR	1	—	B	10/10
	E.G7.84.903	Spares for:— EYE-END, ASSEMBLY	1	—	—	10/9
R	28N/4186638 HOFFMANN CJ.0	Spares for:— JOINT, self-aligning	1	—	C	10/8
	E.G7.84.909	FORK-END	1	S96	—	10/13
	28M/1007403 A.27/ET	NUT, 1/4" BSF thin	1	—	C	10/12
	E.B2.47.405	ROD-END	1	BAC.M37	—	10/11
	42623 E.G7.84.855	Attaching parts for E.G7.84.853:— Bolt, 4 BA special	2	BAC.M37	C	10/7
	42624 E.G7.84.857	Nut, 4 BA slotted, special	2	BAC.M37	C	10/5
R	28P/9559603 SP.90/C6	Pin, split	2	—	C	10/4

TANKS
WINDOW DISPENSING CONTAINER, PORT

Ref. No.	Part No.	Description	No. off	Matl. Spec.	Cl. of Equip. M.R. L.M.	Fig. and Index
42625	E.G7.84.1201	PLATE, spring	1	S513	C	10/18
		Attaching parts for E.G7.84.1201:—				
28S/9451798	A.36/B14	Screw, 4 BA round head	2	—	C	10/20
28W/9128182	SP.55/B	Washer, 4 BA spring	2	—	C	10/19
43090	E.G7.84.1289	SLEEVE	1	T35	—	10/14
42626	E.G7.84.1241	SPRING, stay bar	1	DTD865	C	10/3
		Attaching parts for E.G7.84.1241:—				
42627	E.G7.84.863	Pin	1	S96	C	10/15
43125	E.G7.84.1309	LEVER, idler, assembly	1	L65	C	11/1
		Spares for:—				
R 28N/4186638	HOFFMANN CJ.0	JOINT	2	—	C	11/2
42633	E.G7.84.851	LINK, ARMING, ASSEMBLY, CENTRE OUTBOARD	1	—	B	11/8
		Spares for:—				
26DK/4131	E.B2.47.375	FORK-END	2	S95	C	11/12
28M/1007403	A.27/ET	NUT, 1/4" BSF thin	2	—	—	11/10
	E.B2.47.405	ROD-END	2	BAC.M37	C	11/9
		Attaching parts for E.G7.84.851:—				
26DK/3477	E.B2.47.441	Bolt, 4 BA special	2	BAC.M37	C	11/7
26DK/3485	E.B2.47.443	Nut, 4 BA special	2	BAC.M37	C	11/11
R 28P/9559603	SP.90/C6	Pin, split	2	—	C	11/6
R 7B/9632735	AIR-LOG LTD. D.104084/91	MATRIX, assembly	3	—	A	9/3
R 7B/9632738	AIR-LOG LTD. D.104084/89	PLATE, reaction, assembly	3	—	A	9/4
		Attaching parts for 7B/9632738:—				
26DK/33098	EEAS.100/4E	Bolt, 1/4" BSF 90° c'sk head (rear plate)	14	S97	C	9/6
1438524	EEAS.100/3-1/2E	Bolt, 1/4" BSF 90° c'sk head (forward plates)	12	S97	C	9/5
	E.G7.84.937	RAMP, mounting, aft, centre and rear arming levers	2	S96	—	12/37
		Attaching parts for E.G7.84.937:—				
1025	EEAS.1/1C	Screw, 2 BA 120° c'sk head	4	S96	C	12/28
28M/1006473	A.27/CT	Nut, 2 BA thin	4	—	C	12/30
	E.G7.84.985	Shim	2	LA3	—	12/32
	E.G7.84.939	RAMP, mounting, aft, front arming lever	1	S96	—	12/39
		Attaching parts for E.G7.84.939:—				
1028	EEAS.1/3C	Screw, 2 BA 120° c'sk head	2	S96	C	12/31
28M/1006473	A.27/CT	Nut, 2 BA thin	2	—	C	12/34
	E.G7.84.987	Shim	1	LA3	—	12/35
	E.G7.84.941	RAMP, mounting, forward, front and rear arming levers	2	S96	—	12/41
		Attaching parts for E.G7.84.941:—				
1028	EEAS.1/3C	Screw, 2 BA 120° c'sk head	4	S96	C	12/29
28M/1006473	A.27/CT	Nut, 2 BA thin	4	—	C	12/36
	E.G7.84.985	Shim	2	LA3	—	12/33
	E.G7.84.1303	SHAFT, idler lever	1	S96	—	11/5
		Attaching parts for E.G7.84.1303:—				
28D/9436920	A.25/1C	Bolt, 2 BA hex. head	4	—	C	11/4
28M/1006473	A.27/CP	Nut, 2 BA plain	4	—	C	11/3

WINDOW DISPENSING CONTAINER, PORT

Ref. No.	Part No.	Description							No. off	Matl. Spec.	Cl. of Equip. M.R. L.M.	Fig. and Index
		1	2	3	4	5	6	7				
42636	E.G7.84.1217	SPRING, bar stay							3	DTD215	C	9/36
		Attaching parts for E.G7.84.1217:-										
42637	E.G7.84.949	Pin							3	-	C	9/32
42638	E.G7.84.681	SPRING, tension, arming levers							6	DTD215	C	9/29
	E.G7.84.1313	TUBE, TORQUE, ASSEMBLY, PORT INBOARD							1	-	-	12/8
		Spares for:-										
42639	GLACIER METAL 10.DU.12	BUSH, mounting bracket							2	P.T.F.E.	C	12/6
	E.G7.84.975	BRACKET, mounting							1	S96	-	12/21
	E.G7.84.976	BRACKET, mounting							1	S96	-	12/15
	E.G7.84.977	BRACKET, support							1	S96	-	12/9
42640	E.G7.84.979	CRANK, outboard							1	S96	C	12/10
43425	E.G7.84.1321	CRANK, inboard							1	S96	C	12/5
	E.G7.84.1315	TUBE, TORQUE, ASSEMBLY, FRONT							1	-	-	12/20
		OUTBOARD										
		Spares for:-										
42639	GLACIER METAL 10.DU.12	BUSH, mounting bracket							2	P.T.F.E.	C	12/18
	E.G7.84.975	BRACKET, mounting							1	S96	-	12/26
	E.G7.84.976	BRACKET, mounting							1	S96	-	12/27
	E.G7.84.977	BRACKET, support							1	S96	-	12/22
42640	E.G7.84.979	CRANK, inboard							1	S96	C	12/23
43426	E.G7.84.1319	CRANK, outboard							1	S96	C	12/17
	E.G7.84.955	TUBE, TORQUE, ASSEMBLY, REAR							1	-	-	10/27
		Spares for:-										
42639	GLACIER METAL 10.DU.12	BUSH, mounting bracket							2	P.T.F.E.	C	10/29
	E.G7.84.975	BRACKET, mounting							1	S96	-	10/30
	E.G7.84.976	BRACKET, mounting							1	S96	-	10/32
	E.G7.84.977	BRACKET, support							1	S96	-	10/25
42640	E.G7.84.979	CRANK							2	S96	C	10/31
42643	E.G7.84.967	CRANK, REAR, ASSEMBLY							1	-	C	10/24
		Spares for:-										
28N/13510	HOFFMANN CJ.0	JOINT, self aligning							1	-	C	10/28
R 7B/9632739	†	UNIT, distributor, No. 2, Mk. 1							1	-	A	
		Attaching parts for 7B/9632739:-										
28D/1011240	A25/5E	Bolt, 1/4" BSF hex. head							6	-	C	

TANKS

WINDOW DISPENSING CONTAINER, PORT

Ref. No.	Part No.								No. off	Matl. Spec.	Cl. of Equip. M.R. L.M.	Fig. and Index
		1	2	3	4	5	6	7				

TANKS

WINDOW DISPENSING CONTAINER, STARBOARD

Part Number	Description	No. Off	Matl. Spec.	Plate No.
EG7.00.232	CONTAINER, WINDOW DISPENSING STARBOARD, ASSEMBLY (EG7.84.2)	1	—	
—	Spares for:—			
—	CONTAINER, WING TIP (EG7.84.7)	—	—	
—	Spares for:—			
EG7.84.249	. . . BUSH, fork-end mounting	1	L65	3/27
—	Attaching parts for EG7.84.249:—			
EEAS1/2C	. . . Screw, 2 BA 120° c'sk head	3	S96	3/35
AGS2002/C/1	. . . Nut, stiff, 2 BA	3	—	3/37
SP15/C	. . . Washer, 2 BA plain	3	—	3/36
EG7.84.251	. . . FORK-END, locking strut pivot	1	L65	3/33
—	Attaching parts for EG7.84.251:—			
A29/ES	. . . Nut, 1/4" BSF slotted	1	—	3/30
SP90/C5	. . . Pin, split	1	—	3/29
SP15/E	. . . Washer, 1/4" BSF plain	1	—	3/28
EG7.84.9	. . . FAIRING, NOSE, HINGED, ASSEMBLY	2	—	2/4
—	Spares for:—			
EG7.84.1221	. . . BRACKET, stop mounting	2	L73	2/14
—	Attaching parts for EG7.84.1221:—			
AGS2002/C/1	. . . Nut, stiff, 2 BA	3	—	2/15
EEAS1/3C	. . . Screw, 2 BA 120° c'sk head	1	S96	2/21
EEAS1/4C	. . . Screw, 2 BA 120° c'sk head	2	S96	2/20
SP15/C	. . . Washer, 2 BA plain	3	—	2/18
EG7.84.215	. . . BRACKET, support	1	L72	3/1
EG7.84.203	. . . BUSH, hinge	4	Phos. Bronze	2/1
—	. . . FAIRING, INSTALLATION (EG7.84.1209)	—	—	3/19
—	Spares for:—			
EG7.84.1211	. . . FAIRING	1	Spruce	3/20
—	Attaching parts for EG7.84.1211:—			
4111/6-1/4	. . . Screw, P.K. No. 6 round head	6	S.S.	3/24
4111/6-3/4	. . . Screw, P.K. No. 6 round head	14	S.S.	3/25
13-98-062	. . . FASTENER, attachment fitting (AS4788)	2	—	2/19
—	or			
KING A/C	. . . FASTENER, attachment fittings	2	—	2/19
D18219	. . . FASTENER, attachment fittings	2	—	2/19
EG7.84.207	. . . PACKING, support bracket	1	L72	3/4
EA3.62.43	. . . PLATE, lamp mounting	1	—	3/2
EEAS541	. . . SEAL	QR	Synthetic Rubber	3/18
EG7.84.1215	. . . SHIM, stop mounting	1	LA3	2/13
EG7.84.183	. . . SPIGOT, locating, male	1	S96	3/3
EG7.84.1213	. . . STOP	2	L65	2/10
EG7.84.115	. . . HOUSING, spigot, guide rail	1	S96	3/14
—	Attaching parts for EG7.84.115:—			
EEAS1/2C	. . . Screw, 2 BA 120° c'sk head	2	S96	3/9
EG7.84.219	. . . Shim	1	LA3	3/16
SP15/C	. . . Washer, 2 BA plain	2	—	3/17

TANKS

WINDOW DISPENSING CONTAINER, STARBOARD

Part Number	Description	No. Off	Matl. Spec.	Plate No.	1 2 3 4 5 6					
EG7.84.116	. . HOUSING, spigot, guide rail Attaching parts for EG7.84.116:—	1	S96	3/15						
EEAS1/2C	. . Screw, 2 BA 120° c'sk head	2	S96	3/9						
EG7.84.219	. . Shim	1	LA3	3/16						
SP15/C	. . Washer, 2 BA plain	2	—	3/17						
EA2.62.48	. . HOUSING, bolt, forward Attaching parts for EA2.62.48:—	1	—	4/21						
A60/18E	. . Bolt, 1/4" BSF hex. head	6	—	4/25						
A27/ET	. . Nut, 1/4" BSF thin	6	—	4/23						
SP15/E	. . Washer, 1/4" BSF plain	6	—	4/24						
EA2.62.49	. . HOUSING, bolt, aft, inboard Attaching parts for EA2.62.49:—	1	—	4/15						
A60/19E	. . Bolt, 1/4" BSF hex. head	4	—	4/14						
A27/ET	. . Nut, 1/4" BSF thin	4	—	4/12						
SP15/E	. . Washer, 1/4" BSF plain	4	—	4/13						
EA2.62.51	. . HOUSING, bolt, aft, outboard Attaching parts for EA2.62.51:—	1	—	4/10						
A60/19E	. . Bolt, 1/4" BSF hex. head	4	—	4/11						
A27/ET	. . Nut, 1/4" BSF thin	4	—	4/7						
SP15/E	. . Washer, 1/4" BSF plain	4	—	4/8						
R 13-98-049	. . HOUSING, fastener (AS4788)	2	—	2/12						
or										
R C18217	. . HOUSING, fastener	2	—							
EA3.62.155	. . PACKING, taper, forward bolt housing	1	—	4/19						
EA2.62.142	. . PACKING, forward bolt housing	1	—	4/18						
EA3.62.111	. . PACKING, bolt housing, aft, inboard	1	—	4/1						
EA3.62.109	. . PACKING, bolt housing, aft, outboard	1	—	4/2						
EG7.84.400	. . PAD, compression, diaphragm 5 Attaching parts for EG7.84.400:—	1	L65	2/24						
A25/4C	. . Bolt, 2 BA hex. head	4	—	2/22						
EG7.84.671	. . Shim	1	LA3	2/25						
EG7.84.1091	. . PANEL, access, inboard, forward diaphragm 3	1	—	4/22						
EG7.84.522	. . PANEL, access, outboard, forward Attaching parts for EG7.84.522:—	1	—	5/29						
EEAS1/1E	. . Screw, 1/4" BSF 120° c'sk head	18	S96	5/24						
EG7.84.524	. . PANEL, access, inboard Attaching parts for EG7.84.524:—	1	—	5/27						
EEAS1/1E	. . Screw, 1/4" BSF 120° c'sk head	18	S96	5/25						
EG7.84.526	. . PANEL, access, outboard, aft Attaching parts for EG7.84.526:—	1	—	5/31						
EEAS1/1E	. . Screw, 1/4" BSF 120° c'sk head	18	S96	5/23						
SP113/E14	. . PIN, shear, nose hinge	4	—	2/2						
EA3.62.53	. . PLATE, sealing, bolt housing Attaching parts for EA3.62.53:—	3	L72	4/4						
A33/C16	. . Screw, 2 BA c'sk head	12	—	4/3						
EG7.84.113	. . RAIL, loading Attaching parts for EG7.84.113:—	1	L73	3/12						
A25/1C	. . Bolt, 2 BA hex. head	1	—	3/8						
EEAS1/1C	. . Screw, 2 BA 120° c'sk head	17	S96	3/5						
EEAS1/5C	. . Screw, 2 BA 120° c'sk head	2	S96	3/11						
AGS2002/C/1	. . Nut, stiff, 2 BA	20	—	3/6						
SP15/C	. . Washer, 2 BA plain	20	—	3/7						

A.P.101B-0417-3A

TANKS
WINDOW DISPENSING CONTAINER, STARBOARD

Ref. No.	Part No.	1 2 3 4 5 6 7							No. off	Matl. Spec.	Cl. of Equip. M.R. L.M.	Fig. and Index
		Description										
43532	E.G7.84.114	RAIL , loading							1	L73	MR	3/13
		Attaching parts for E.G7.84.114—										
28D/9436920	A.25/1C	Bolt, 2 BA hex. head							1	—	C	3/8
1025	EEAS.1/1C	Screw, 2 BA 120° c'sk head							17	S96	C	3/5
1030	EEAS.1/5C	Screw, 2 BA 120° c'sk head							2	S96	C	3/11
28M/9433473	AGS.2002/C/1	Nut, stiff, 2 BA							20	—	C	3/6
28W/9419474	SP.15/C	Washer, 2 BA plain							20	—	C	3/7
26DK/12928	EEAS.321	SEAL , aft edge, hinged nose							QR	Butyl Rubber S/H 35-40	C	3/21
		SEALS, CARTRIDGE DISCHARGER, INSTALLATION (E.G7.84.36)										
		Spares for:—										
	E.G7.84.1020	PLATE , sealing, inboard, inboard forward matrix							1	L72	—	5/13
	E.G7.84.1022	PLATE , sealing, outboard, inboard forward matrix							1	L72	—	5/15
	E.G7.84.1024	PLATE , sealing, inboard, outboard forward matrix							1	L72	—	5/17
	E.G7.84.1026	PLATE , sealing, outboard, forward matrix							1	L72	—	5/19
	E.G7.84.1028	PLATE , sealing, inboard, aft matrix							1	L72	—	5/2
	E.G7.84.1030	PLATE , sealing, outboard, aft matrix							1	L72	—	5/8
	E.G7.84.1031	PLATE , sealing, forward and aft ends of matrices, except aft of diagram 6							5	L72	—	5/10
	E.G7.84.1049	PLATE , sealing, aft, aft matrix							1	L72	—	5/5
28S/1011490	A.32/C16	SCREW , 2 BA round head							9	—	C	5/11
28S/1007443	A.32/C18	SCREW , 2 BA round head							48	—	C	5/3
28S/1011491	A.32/C24	SCREW , 2 BA round head							4	—	C	5/9
28S/1011492	A.32/C28	SCREW , 2 BA round head							4	—	C	5/6
28S/9137828	A.32/C32	SCREW , 2 BA round head							1	—	C	5/4
42601	WILKINSON AP/100	SEAL 'P'							QR	S/H 40-50	C	5/22
6159	E.A2.62.221	SHIM , laminated, forward bolt housing							2	—	C	4/26
6160	E.A2.62.223	SHIM , laminated, outboard, aft bolt housing							2	—	C	4/9
42592	E.G7.84.1215	SHIM , laminated, stop mounting							2	LA3	—	2/11
6161	E.A2.62.225	SHIM , laminated, inboard aft bolt housing							2	—	MR	4/16
43552	E.G7.84.1213	STOP , nose fastener							2	L65	—	2/9
	E.A3.62.115	STRIP , sealing (Make from Ref. 4432)							1	—	LM	2/3
	E.G7.84.1115	STRIP , rubbing, guide rail spigot housing, .75 x 1".65 x $\frac{1}{8}$ " thick (Make from 32C/432 or 32C/612)							2	DTD.900/4195	LM	3/10
42602	E.G7.84.243	STRUT, LOCKING, HINGED NOSE, ASSEMBLY							1	—	B	3/32
		Spares for:—										
	EEAS.315/4	LANYARD (Make from 26DK/2381)							1	—	LM	3/22
28FP/9485292	A.405	PIN , pip, $\frac{1}{4}$ " dia.							1	—	C	3/23
		Attaching parts for E.G7.84.243—										
28N/1046381	SP.121/E	Collar							1	—	C	3/26
28P/16322	SP.113/E4	Pin, shear							1	—	C	3/34
28P/9486478	SP.90/C5	Pin, split							1	—	C	3/31

TANKS
WINDOW DISPENSING CONTAINER, STARBOARD

Ref. No.	Part No.	Description							No. off	Mtrl. Spec.	Cl. of Equip. M.R. L.M.	Fig. and Index
		1	2	3	4	5	6	7				
42647	E.G7.84.666	TOP-HAT, assembly, station 106, centre arming lever							1	-	C	2/17
6153	E.A2.62.59	WASHER, sealing, bolt housing							3	-	C	4/5
6154	E.A2.62.61	WASHER, sealing, bolt housing							3	-	C	4/6
-	-	DISPENSER, CONVENTIONAL, WINDOW (E.G7.84.11)							-	-	-	6/2
42604	E.G7.84.17	CHUTE, RELEASE, ASSEMBLY							1	-	B	6/3
26DK/8576	EEAS.290	SEAL, $\frac{7}{32}$ " x 30" long							1	Neoprene	C	6/4
26DK/12928	EEAS.321	SEAL, $\frac{5}{16}$ " o/d x 1".85 long							2	Butyl Rubber	C	6/5
	EEAS.315/4	LANYARD, pip pin retaining							1	-	LM	6/33
	E.G7.84.15	MAGAZINE, CONVENTIONAL WINDOW, ASSEMBLY							1	-	-	6/9
42605	E.G7.84.257	HOUSING, spigot, stripper unit Attaching parts for E.G7.84.257 -							4	L65	C	6/18
28D/9133011	A.25/2C	Bolt, 2 BA hex. head							8	-	C	6/13
28M/1278190	AGS.2001 /C/1	Nut, stiff, 2 BA							8	-	C	6/21
42606	E.G7.84.273	Shim							4	LA3	C	6/19
28W/9419474	SP.15/C	Washer, 2 BA plain							8	-	C	6/20
	E.G7.84.271	HOUSING, retaining pin							1	S96	-	6/30
42607	E.G7.84.1129	LID, MAGAZINE, ASSEMBLY							1	L73	B	6/1
28FP/1014631	A.3/25	FASTENER, dzus							11	-	C	6/31
28FP/9138002	G.A3/175	GROMMET, dzus							11	-	C	6/32
28N/9511950	AS.1878/445	HINGE							1	-	LM	6/8
26DK/8576	EEAS.290	SEAL, $\frac{7}{32}$ " o/d x 12".25 long							1	Neoprene	C	6/6
42608	E.G7.84.267	ROLLER, magazine							2	Nylon 66	C	6/23
	E.G7.84.265	SPINDLE, roller							2	L65	-	6/22
26DK/12928	EEAS.321	SEAL, $\frac{5}{16}$ " o/d x 11".25 long							1	Butyl Rubber	C	6/7
42609	E.G7.84.259	SPIGOT, front Attaching parts for E.G7.84.259 -							2	S96	C	6/15
28N/9480017	AGS.2001 /E/1	Nut, stiff, $\frac{1}{4}$ " BSF							2	-	C	6/17
28W/9419405	SP.15/E	Washer, $\frac{1}{4}$ " BSF plain							2	-	C	6/16
42610	E.G7.84.261	SPIGOT, rear Attaching parts for E.G7.84.261 -							2	S96	C	6/27
1028	EEAS.1/3C	Screw, 2 BA 120°c'sk head							4	S96	C	6/28
28M/1278190	AGS.20001/C/1	Nut, stiff, 2 BA							4	-	C	6/25
28W/9419474	SP.15/C	Washer, 2 BA plain							4	-	C	6/26
42611	E.G7.84.325	STOP, rubber, rear spigot							2	DTD.625	C	6/29
28FP/9469299	A.409	PIN, pip, $\frac{1}{4}$ " dia., retaining port end							1	-	C	6/24
10AS/3735	TILTMAN LANGLEY 167156	STRIPPER, window, low temperature							1	-	A	6/10
28N/1046382	SP.121/C	Collar, $\frac{1}{4}$ "							4	-	C	6/11
28P/16272	SP.113/C7½	Pin, shear							4	-	C	6/14
28P/9486478	SP.90/C5	Pin, split							4	-	C	6/12

AP101B-0417-3A

TANKS

WINDOW DISPENSING CONTAINER, STARBOARD

Part Number	Description	No. Off	Mati. Spec.	Plate No.
-	ELECTRICAL EQUIPMENT, STARBOARD CONTAINER (EG7.81.308) Spares for:—	-	-	8/10
NAT.PLASTICS X114	BEADING, PVC, diaphragm 1 and 2 and wing connection	QR	-	8/13
WARD BROOKE WB/UN/1146/S/3/W	BLOCK, terminal, 3-way	1	-	8/24
	Attaching parts for WB/UN/1146/S/3/W			
AGS2001/B/1	Nut, stiff, 4BA	2	-	8/23
WARD BROOKE WB/1114/28	Pillar, fixing	2	-	8/26
EG7.81.329	BOLT, special, earthing, distributor box	1	S1	8/16
WARD BROOKE WB/NY/1110/B/3	COVER, terminal block	1	-	8/28
BOSTIK2101	COMPOUND, sealing, bostik 2102	QR	DTD900/ 4686	8/27
SUPERFLEXIT SC001-10/18	CONDUIT, nose hinge	1	-	8/15
SUPERFLEXIT SCF1312-10	CLIP, 'P', hose hinge	2	-	8/31
EG7.81.2061	FAIRLEAD, assembly, diaphragm 4 Attaching parts for EG7.81.2061:—	1	-	8/30
A25/2C	Bolt, 2BA hex head	4	-	8/29
EG7.81.2063	FAIRLEAD, assembly, diaphragm 4 Attaching parts for EG7.81.2063:—	1	-	8/21
A25/2C	Bolt, 2BA hex head	4	-	8/22
EG7.81.2065	FAIRLEAD, assembly, diaphragm 4 Attaching parts for EG7.81.2065:—	1	-	8/19
A25/2B	Bolt, 4BA hex head	4	-	8/20
-	LOOMS, CABLE (EG7.81.320) Spares for:—	-	-	8/11
EG7.81.528	CABLE, ASSEMBLY, S451 FROM WING TIP BREAK TO STRIPPER UNIT, GROUP Spares for:—	1	-	8/14
R UNINYVIN 12	CABLE, uninyvin 12	QR	-	
R UYVINMET-SHEATH 16	CABLE, uyvinmetsheath 16	QR	-	
R UNINYVIN 20	CABLE, uninyvin 20	QR	-	
R UNITERSIL 20	CABLE, unifersil 20	QR	-	
CC610/037	CLAMP, cable	1	-	
508/1/07779/001	CLAMP, cable	1	-	
508/1/07777/001	CLAMP, cable	1	-	
EEAS559/6	CLIP, bonding	1	-	
508/2/07706/300	GASKET, outlet	1	-	
508/2/07705/300	GASKET, outlet	1	-	

TANKS

WINDOW DISPENSING CONTAINER, STARBOARD

Part Number	1 2 3 4 5 6	Description	No. Off	Mati. Spec.	Plate No.
508/2/07722/300		GASKET, union	1	-	
508/2/07721/300		GASKET, union	1	-	
508/2/07652/001		OUTLET, angle	1	-	
508/2/07649/001		OUTLET, angle	1	-	
BMS.FIX32-7P		PLUG, fixed	1	-	
508/2/04368		PLUG, filler 12	5	-	
508/2/04367		PLUG, filler 16	15	-	
2Z111033		PLUG, pin 12	7	-	
508/2/03547/002		PLUG, pin 16	8	-	
508/2/05604/002		PLUG, pin 16/20	20	-	
508/2/07709/300		PLUG, sealing	1	-	
508/2/07710/300		RING, sealing	1	-	
508/2/07757/007		RING, thrust	1	-	
508/2/07754/007		RING, thrust	1	-	
EEAS146/2		SLEEVE, 1-1/2" long	QR	-	
EEAS146/2		SLEEVE, 1" long	QR	-	
EEAS146/6		SLEEVE, 1" long	QR	-	
EEAS146/12		SLEEVE, 1" long	QR	-	
EEAS146/16		SLEEVE, 1/4" long	QR	-	
691 (ET)-10-3S		SOCKET, free, Mk 6 3-way	1	-	
508/1/07009/220		SOCKET, free Mk 7 (T4) 100°C	1	-	
508/1/07000/220		SOCKET, free Mk 7 (T4) 100°C	1	-	
HC294		TERMINAL, ring rag	2	-	
2Z139603		WASHER, panel packing	1	-	
EG7.81.530		CABLE, ASSEMBLY, S453, FROM FILTER AND DISTRUTOR BOX TO TEST SOCKET, GROUP Spares for:—	1	-	8/18
UNINYVIN 16		CABLE, uninyvin 16	QR	-	
PC68.10		CAP, blanking	1	-	
CC610/037		CLAMP, special, Mk 6	2	-	
691 (ET)-10-3P		PLUG, free, Mk 6 3-way	1	-	

TANKS

WINDOW DISPENSING CONTAINER, STARBOARD

Part Number	Description 1 2 3 4 5 6	No. Off	Mati. Spec.	Plate No.
EEAS146/6 SLEEVE, 3/4" long	QR	-	
EEAS146/16 SLEEVE, 1/4" long	QR	-	
681(ET)-10-3S SOCKET, fixed, Mk 6, 3-way	1	-	
- LIGHT, NAVIGATION, STARBOARD, ASSEMBLY (EG7.81.404) Spares for:—	-	-	8/12
R UNINYVIN 20 CABLE, uninyvin 20	QR	-	8/5
R 5L9952431 LAMP, filament, 28v, 24w	1	-	8/1
R 5CX1043420 LAMP, navigation, type 'B', starboard Attaching parts for 5CX/1043420:—	1	-	8/2
AGS2002/A/1 Nut, stiff, 6BA	4	-	8/9
R HT30-1/2 SLEEVE, Helsyn 150, white, 1/2" long	1	-	8/6
EEAS146/12 SLEEVE, 1-1/2" long	QR	-	8/8
EEAS146/12 SLEEVE, 1" long	QR	-	8/4
EEAS146/20 SLEEVE, 3/4" long	QR	-	8/3
HC294 TERMINAL, ring tag	2	-	8/7
M.A.M. SLEEVE, 3 m/m i/d, pink, 3/8" long	3	-	8/25
CXH				
EEAS232 WASHER, tapped 4BA, earth bolt	1	-	8/17
- DISCHARGER, CARTRIDGE, INSTALLATION (EG7.84.14) Spares for:—	-	-	9/1
EG7.84.837 BRACKET, bearing, lock-notched Attaching parts for EG7.84.837:—	3	S96	9/34
EG7.84.873 Bolt, 2BA special	3	S96	9/28
EG7.84.871 Bolt, 5/16" BSF special	3	S96	9/27
EG7.84.947 Bolt, special, turn buckle attaching	6	BAC.M37	10/23
EG7.84.963 CRANK, ASSEMBLY, OUTBOARD TORQUE TUBE Spares for:—	1	-	12/23
HOFFMANN CJ0 JOINT, self aligning Attaching parts for EG7.84.963:—	1	-	12/13
A25/7C Bolt, 2BA hex head	1	-	12/16
AGS2001/C/1 Nut, stiff, 2BA	1	-	12/22
EG7.84.965 CRANK, ASSEMBLY, INBOARD TORQUE TUBE Spares for:—	1	-	12/12
HOFFMANN CJ0 JOINT, self aligning Attaching parts for EG7.84.965:—	1	-	12/1
A25/7C Bolt, 2BA hex head	1	-	12/2
AGS2001/C/1 Nut, stiff, 2BA	1	-	12/11

TANKS

WINDOW DISPENSING CONTAINER, STARBOARD

Part Number	Description	No. Off	Mtl. Spec.	Plate No.
EG7.84.1035	HOUSING, bearing torque tube, assembly Attaching parts for EG7.84.1035:—	2	—	12/14
A25/2C	Bolt, 2 BA hex head	4	—	12/3
A27/CP	Nut, 2BA plain	4	—	12/4
EG7.84.675	HOUSING, spring, stay bar	3	S96	9/35
EG7.84.844	LEVER, ARMING, SUB-ASSEMBLY, STATION 104 Spares for:—	1	—	9/38
EG7.84.677	BAR, stay Attaching parts for EG7.84.677:—	1	S96	9/25
EG7.84.863	Pin	1	S96	9/26
EG7.84.865	BUSH, pivot, top bracket	2	PTFE	9/7
EG7.84.1244	LATCH	1	S96	9/22
EG7.84.877	LINK, ARMING, ASSEMBLY, FRONT INBOARD Spares for:—	1	—	9/14
EG7.84.1043	EYE-END, ASSEMBLY Spares for:—	1	—	9/12
EG7.84.875	EYE-END	1	S96	9/20
HOFFMANN	JOINT, self aligning	1	—	9/11
CJ0				
EB2.47.375	FORK-END	1	S95	9/16
A27/ET	NUT, 1/4" BSF thin	2	—	9/13
EG7.84.879	ROD	1	S96	9/15
EG7.84.855	Attaching parts for EG7.84.877:— Bolt, 4BA special	1	BAC.M37	9/10
EG2.47.441	Bolt, 4BA special	1	BAC.M37	9/17
EB2.47.443	Nut, 4BA special	1	BAC.M37	9/24
EG7.84.857	Nut, 4BA slotted, special	1	BAC.M37	9/8
SP90/C6	Pin, split	1	—	9/9
EG7.84.1201	PLATE, spring Attaching parts for EG7.84.1201:—	1	S513	9/30
A36/B14	Screw, 4BA round head	2	—	9/33
SP55/B	Washer, 4BA spring	2	—	9/31
EG7.84.1289	SLEEVE	1	T35	9/19
EG7.84.1241	SPRING, stay bar Attaching parts for EG7.84.1241:—	1	DTD215	9/18
EG7.84.863	Pin	1	S96	9/23
EG7.84.846	LEVER, ARMING, SUB-ASSEMBLY, STATION 106 Spares for:—	1	—	11/35
EG7.84.677	BAR, stay Attaching parts for EG7.84.677:—	1	S96	11/27
EG7.84.863	Pin	1	S96	11/28
EG7.84.865	BUSH, pivot, top bracket	2	PTFE	11/18
EG7.84.1244	LATCH	1	S96	11/13

AP101B-0417-3A

TANKS

WINDOW DISPENSING CONTAINER, STARBOARD

Part Number	Description	No. Off	Matl. Spec.	Plate No.
EG7.84.849 LINK, ARMING, ASSEMBLY, CENTRE INBOARD Spares for:—	1	—	11/22
EG7.84.903 EYE-END Spares for:—	1	S92	11/21
R HOFFMANN CJ0 JOINT, self aligning	1	—	11/20
EB2.47.375 FORK-END	1	S95	11/36
A27/ET NUT, 1/4" BSF thin	1	—	11/24
EB2.47.405 ROD-END Attaching parts for EG7.84.849:—	1	BAC.M37	11/23
EG7.84.855 Bolt, 4BA special	1	BAC.M37	11/19
EB2.47.441 Bolt, 4BA special	1	BAC.M37	11/32
EG7.84.857 Nut, 4BA slotted special	1	BAC.M37	11/17
EB2.47.443 Nut, 4BA special	1	BAC.M37	11/29
R SP90/C6 Pin, split	2	—	11/16
EG7.84.1201 PLATE, spring Attaching parts for EG7.84.1201:—	1	S513	11/33
A36/B14 Screw, 4BA round head	2	—	11/30
SP55/B Washer, 4BA spring	2	—	11/31
EG7.84.1289 SLEEVE	1	T35	11/25
EG7.84.1241 SPRING, stay bay Attaching parts for EG7.84.1241:—	1	DTD865	11/15
EG7.84.863 Pin	1	S96	11/26
EG7.84.848	. . . LEVER, ARMING, SUB-ASSEMBLY, STATION 110 Spares for:—	1	—	10/22
EG7.84.677 BAR, stay Attaching parts for EG7.84.677:—	1	S95	10/17
EG7.84.863 Pin	1	S96	10/16
EG7.84.865 BUSH, pivot, top bracket	2	PTFE	10/6
EG7.84.1244 LATCH	1	S96	10/1
EG7.84.863 LINK, ARMING, ASSEMBLY, REAR Spares for:—	1	—	10/10
EG7.84.903 EYE-END, ASSEMBLY Spares for:—	1	—	10/9
R HOFFMANN CJ0 JOINT, self aligning	1	—	10/8
EG7.84.909 FORK-END	1	S96	10/13
A27/ET NUT, 1/4" BSF thin	1	—	10/12
EB2.47.405 ROD-END Attaching parts for EG7.84.853:—	1	BAC.M37	10/11
EG7.84.855 Bolt, 4BA special	2	BAC.M37	10/7
EG7.84.857 Nut, 4BA slotted, special	2	BAC.M37	10/5
R SP90/C6 Pin, split	2	—	10/4

TANKS

WINDOW DISPENSING CONTAINER, STARBOARD

Part Number	Description	No. Off	Mati. Spec.	Plate No.
EG7.84.1201	. . . PLATE, spring Attaching parts for EG7.84.1201:—	1	S513	10/18
A36/B14	. . . Screw, 4BA round head	2	-	10/20
SP55/B	. . . Washer, 4BA spring	2	-	10/19
EG7.84.1289	. . . SLEEVE	1	T35	10/14
EG7.84.1241	. . . SPRING, stay bar Attaching parts for EG7.84.1241:—	1	DTD865	10/3
EG7.84.863	. . . Pin	1	S96	10/15
EG7.84.1309	. . . LEVER, idle, assembly Spares for:—	1	L65	11/1
HOFFMANN CJ0	. . . JOINT, self aligning	2	-	11/2
EG7.84.851	. . . LINK, ARMING, ASSEMBLY, CENTRE OUTBOARD Spares for:—	1	-	11/8
EB2.47.375	. . . FORK-END	2	S95	11/12
A27/ET	. . . NUT, 1/4" BSF thin	2	-	11/10
EB2.47.405	. . . ROD-END Attaching parts for EG7.84.851:—	2	BAC.M37	11/9
EB2.47.441	. . . Bolt, 4BA special	2	BAC.M37	11/7
EB2.47.443	. . . Nut, 4BA special	2	BAC.M37	11/11
SP90/C6	. . . Pin, split	2	-	11/6
AIR-LOG LTD D104084/91	. . . MATRIX, assembly	3	-	9/3
AIR-LOG LTD D104084/89	. . . PLATE, reaction, assembly Attaching parts for D104084/89:—	3	-	9/4
EEAS100/4E	. . . Bolt, 1/4" BSF 90° c'sk head (rear plate)	14	S97	9/6
EEAS100/3-1/2E	. . . Bolt, 1/4" BSF 90° c'sk head (forward plates)	14	S97	9/5
EG7.84.938	. . . RAMP, mounting, aft, centre and rear arming levers Attaching parts for EG7.84.938:—	2	S96	12/38
EEAS1/1C	. . . Bolt, 2BA 120° c'sk head	4	S96	12/28
A27/CT	. . . Nut, 2BA thin	4	-	12/30
EG7.84.985	. . . Shim	2	LA3	12/32
EG7.84.940	. . . RAMP, mounting, aft, front arming lever Attaching parts for EG7.84.940:—	1	S96	12/40
EEAS1/3C	. . . Screw, 2BA 120° c'sk head	2	S96	12/31
A27/CT	. . . Nut, 2BA thin	2	-	12/34
EG7.84.987	. . . Shim	1	LA3	12/35
EG7.84.942	. . . RAMP, mounting, forward, front and rear arming levers Attaching parts for EG7.84.942:—	2	S96	12/42
EEAS1/3C	. . . Screw, 2BA 120° c'sk head	4	S96	12/29
A27/CT	. . . Nut, 2BA thin	4	-	12/36
EG7.84.985	. . . Shim	2	LA3	12/33
EG7.84.1303	. . . SHAFT, idler lever Attaching parts for EG7.84.1303:—	1	S96	11/5
A25/1C	. . . Bolt, 2BA hex head	4	-	11/4
A27/CP	. . . Nut, 2BA thin	4	-	11/3
EG7.84.1217	. . . SPRING, bar stay Attaching parts for EG7.84.1217:—	3	DTD215	9/36
EG7.84.949	. . . Pin	3	-	9/32

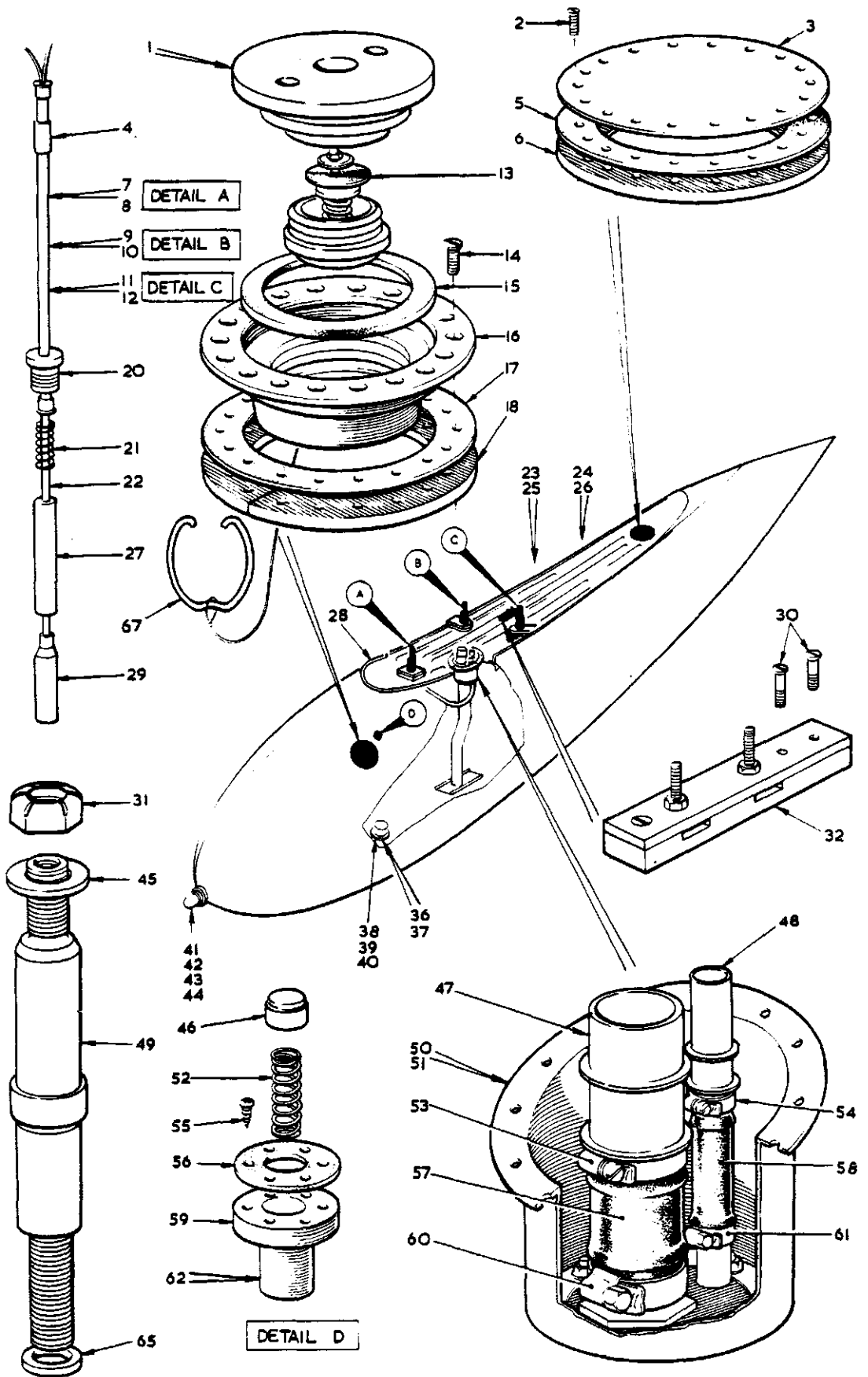


FIG1 JETTISON WING FUEL TANK 250 GALLON PORT AND STBD

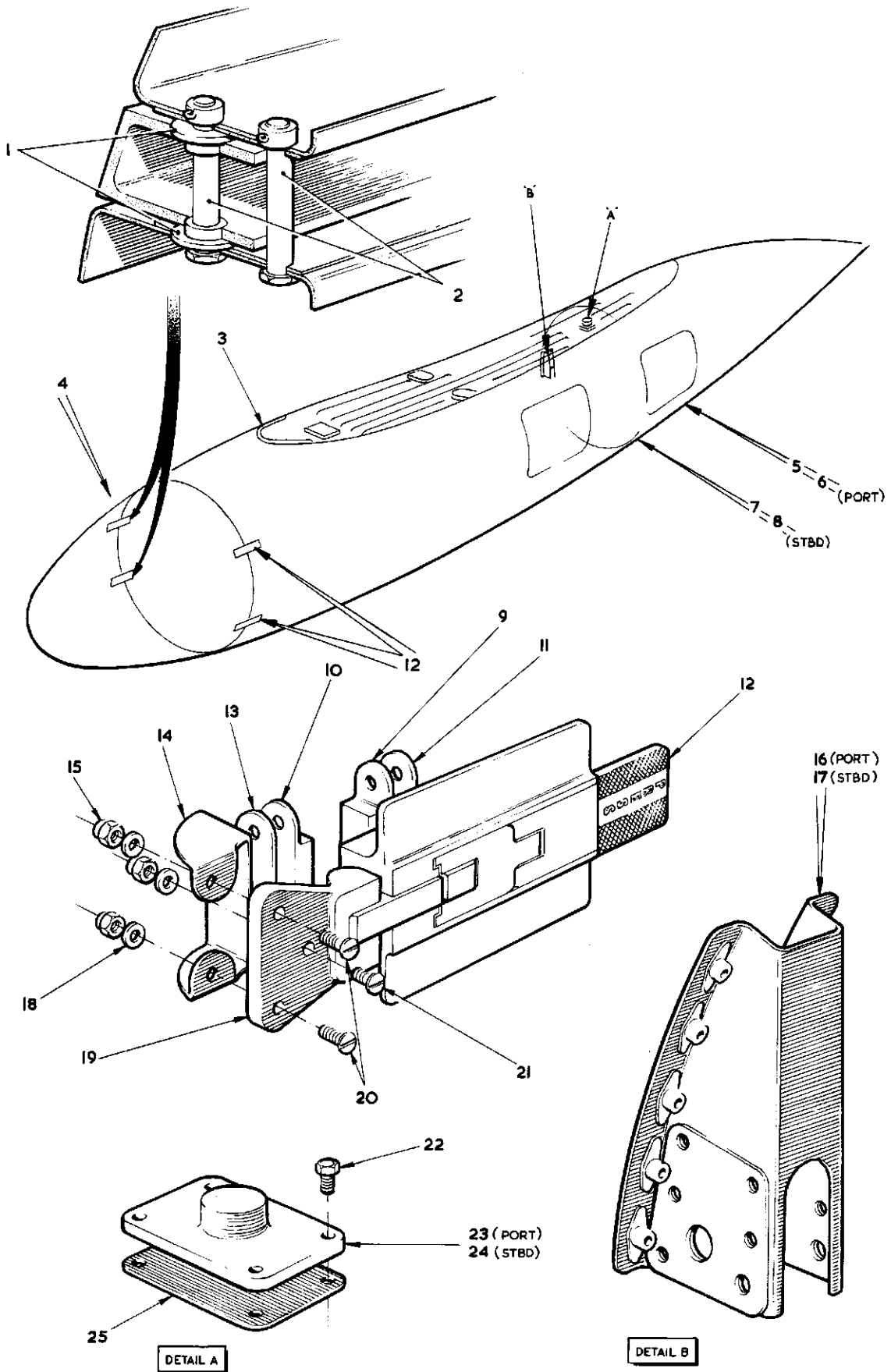


FIG 2 WINDOW DISPENSING CONTAINER PORT AND STARBOARD WING

Restricted

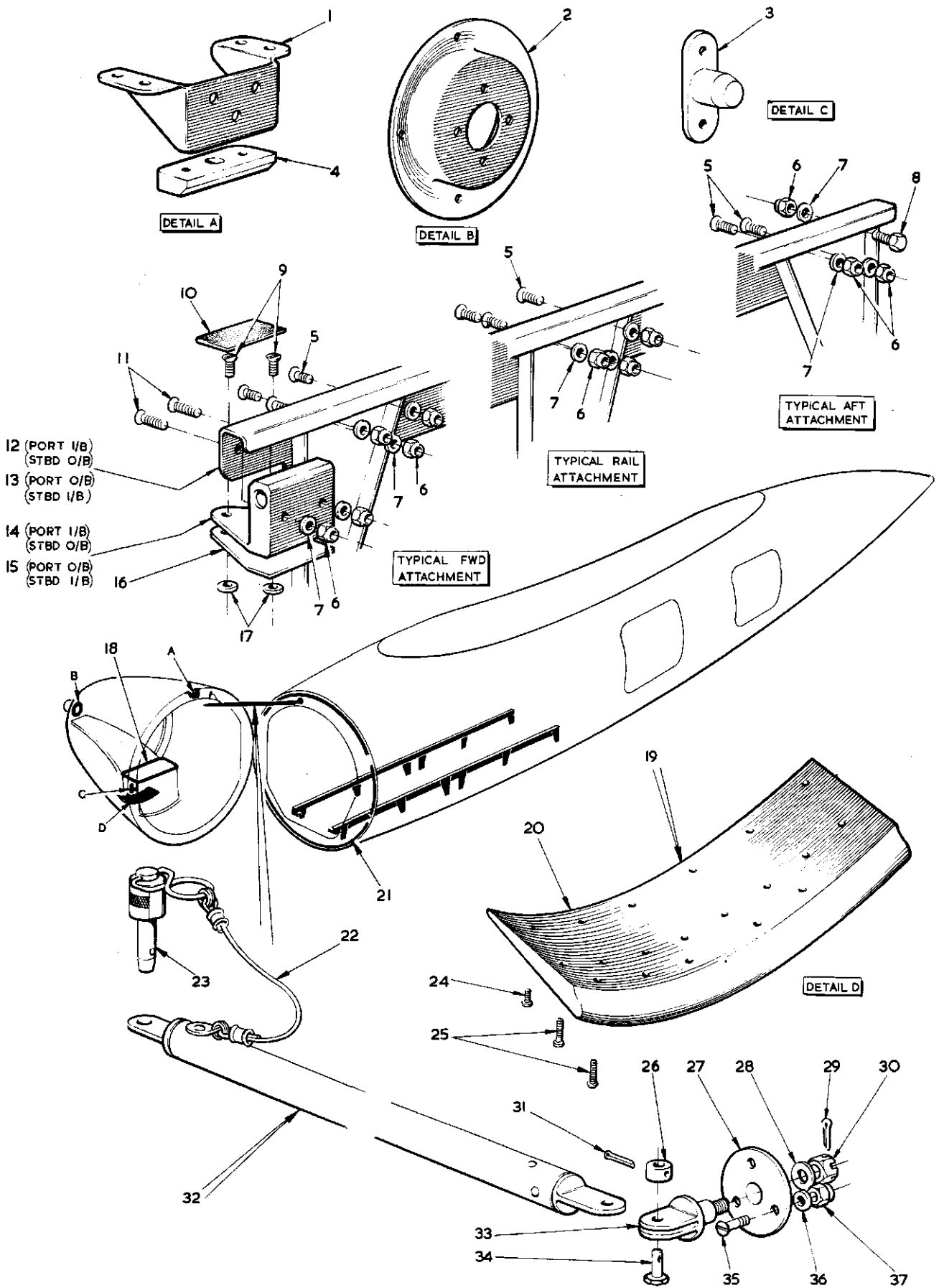


FIG 3 WINDOW DISPENSING CONTAINER PORT AND STARBOARD WING

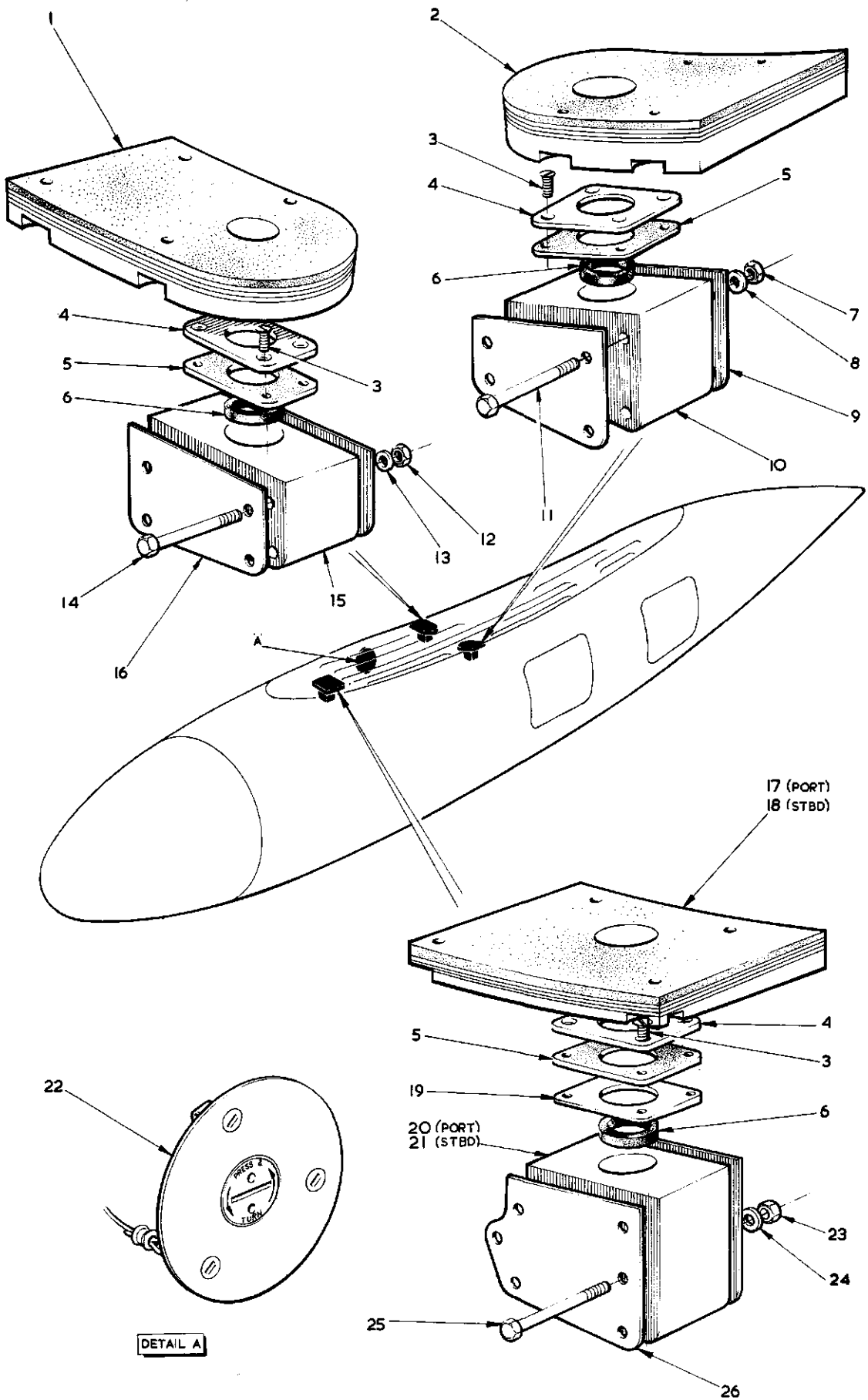


FIG4 WINDOW DISPENSING CONTAINER PORT AND STARBOARD WING

Restricted

AL 4

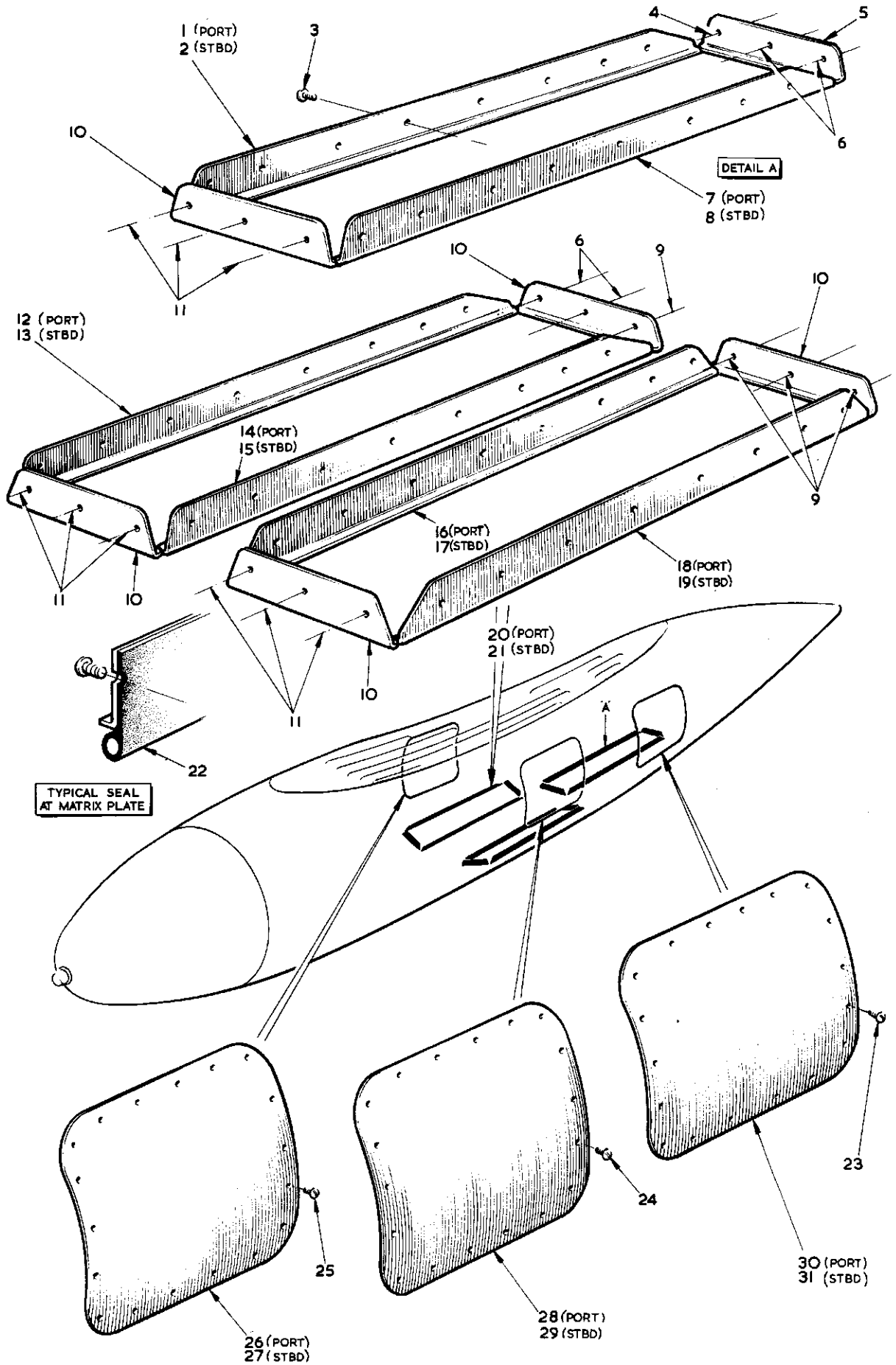


FIG 5 WINDOW DISPENSING CONTAINER PORT AND STARBOARD WING

Restricted

T MK 17 SECT Q

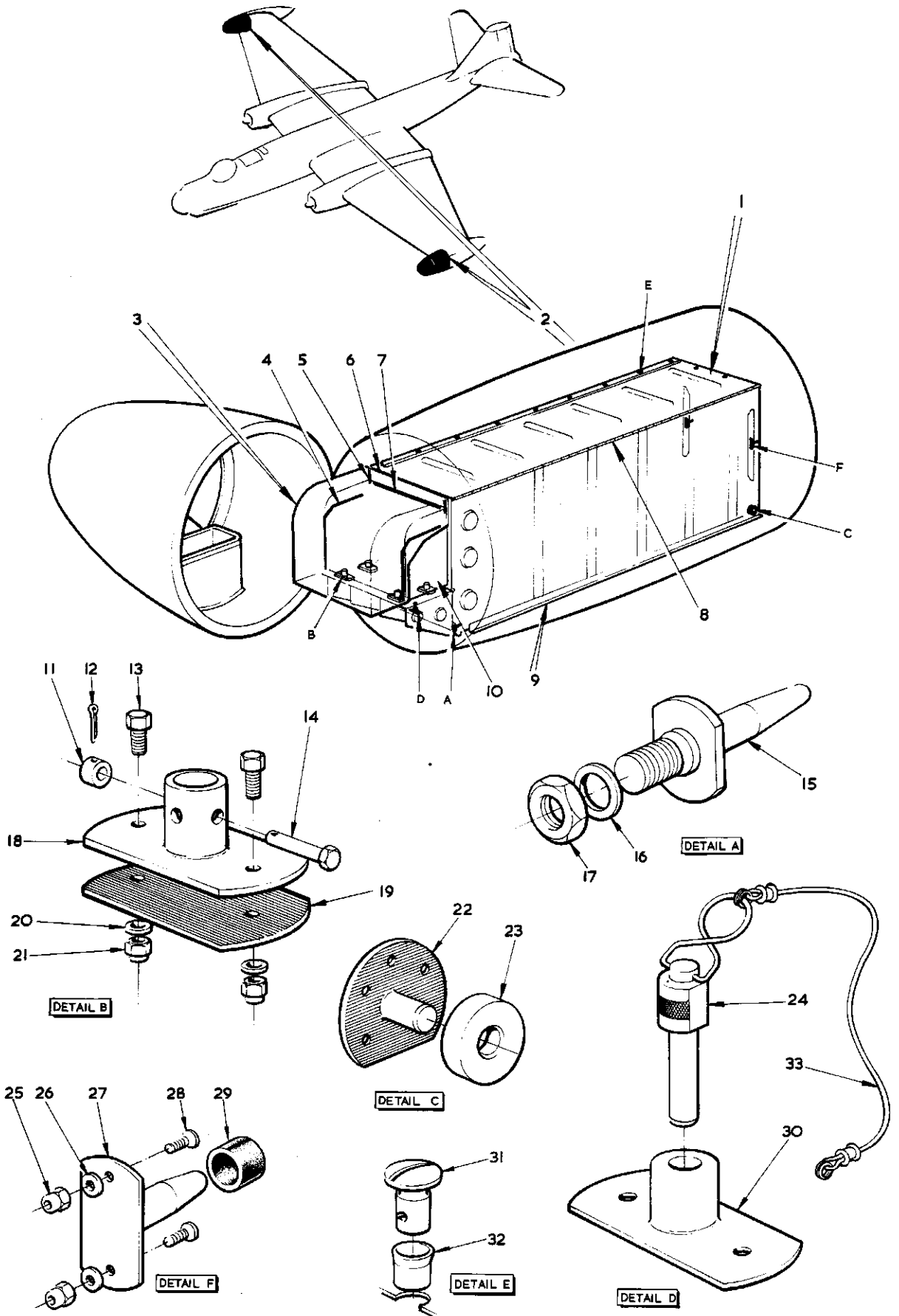


FIG 6 WINDOW DISPENSING CONTAINER PORT AND STARBOARD WING

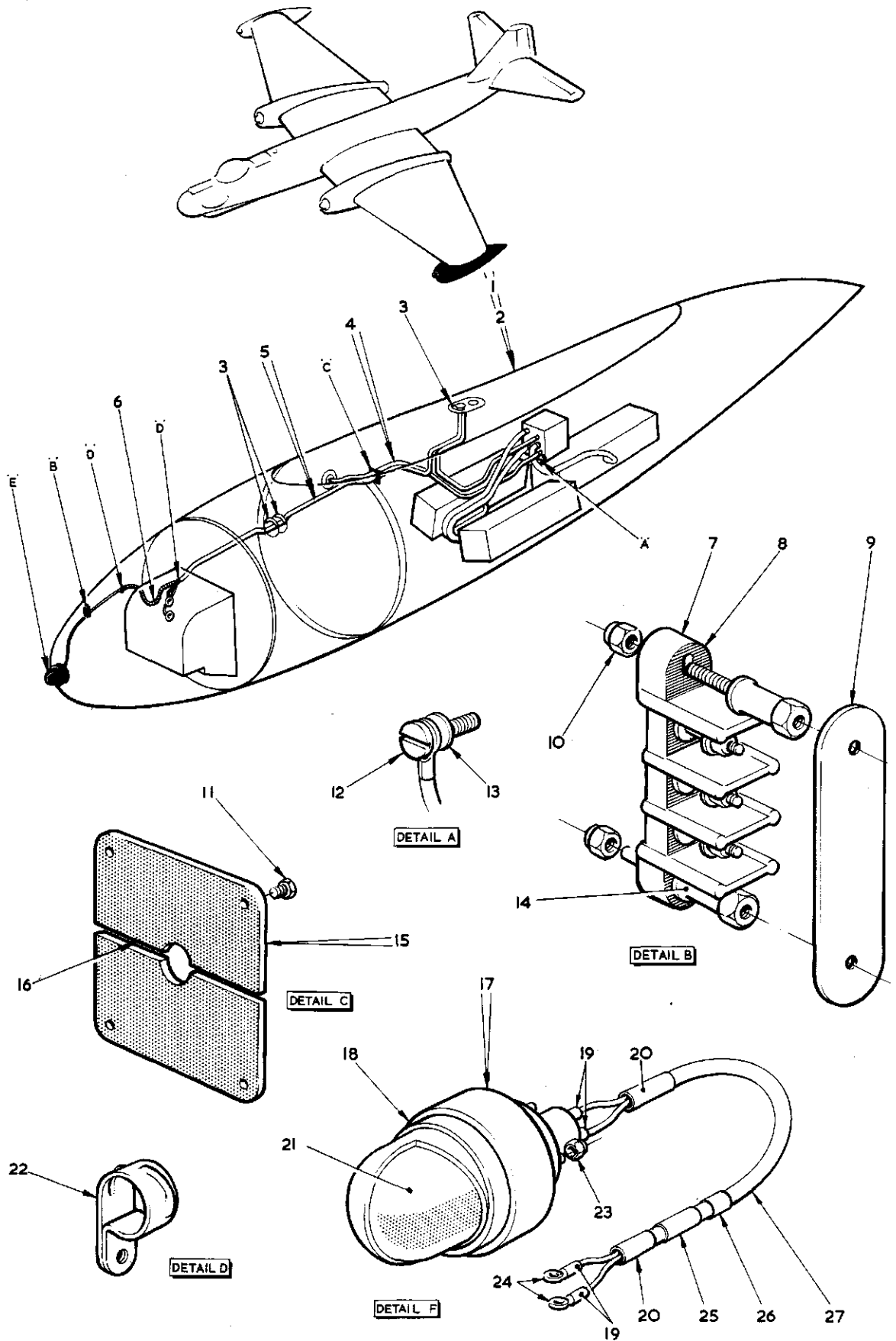


FIG.7 WINDOW DISPENSING CONTAINER (PORT WING)

Restricted

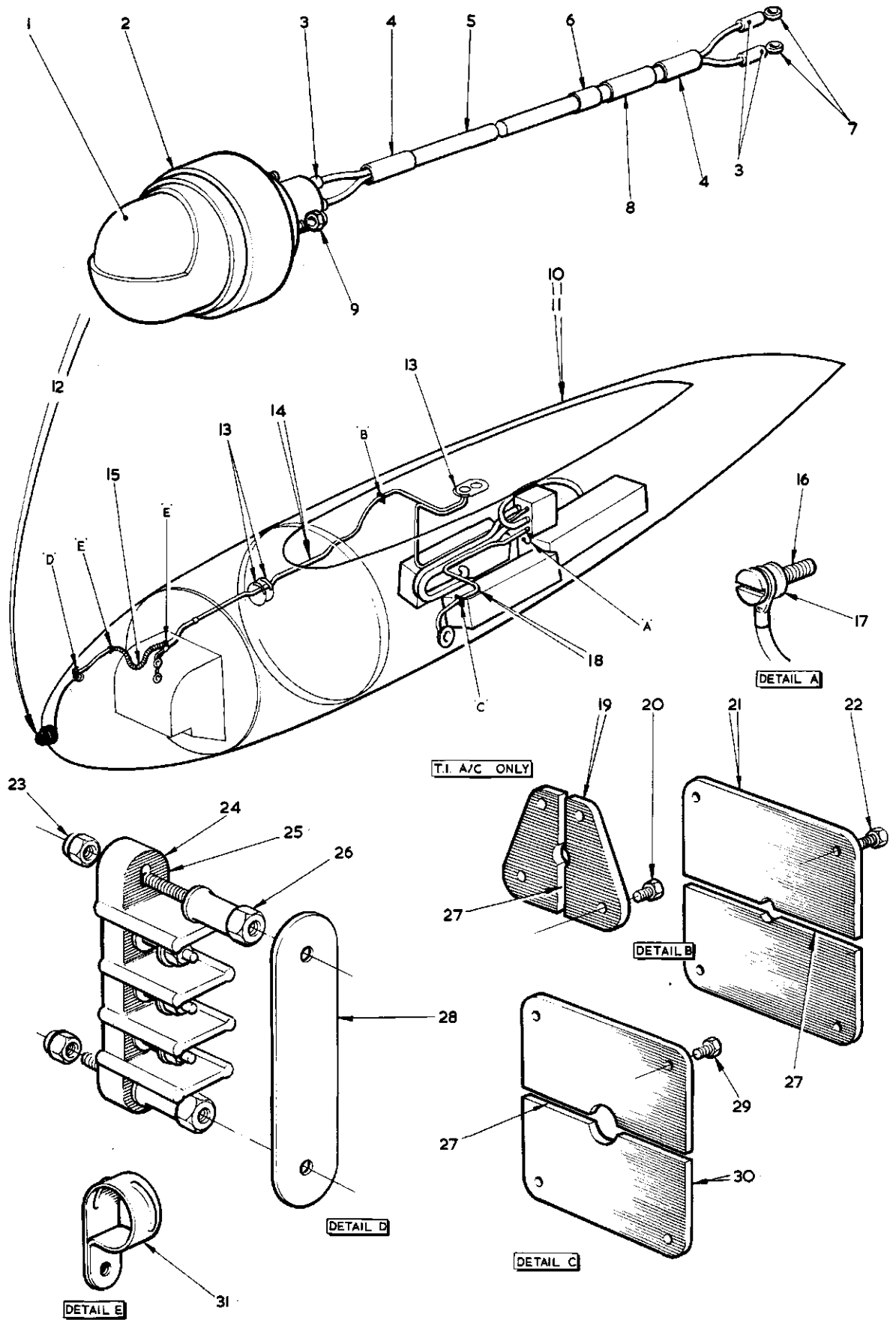


FIG.8 WINDOW DISPENSING CONTAINER(STBD WING)

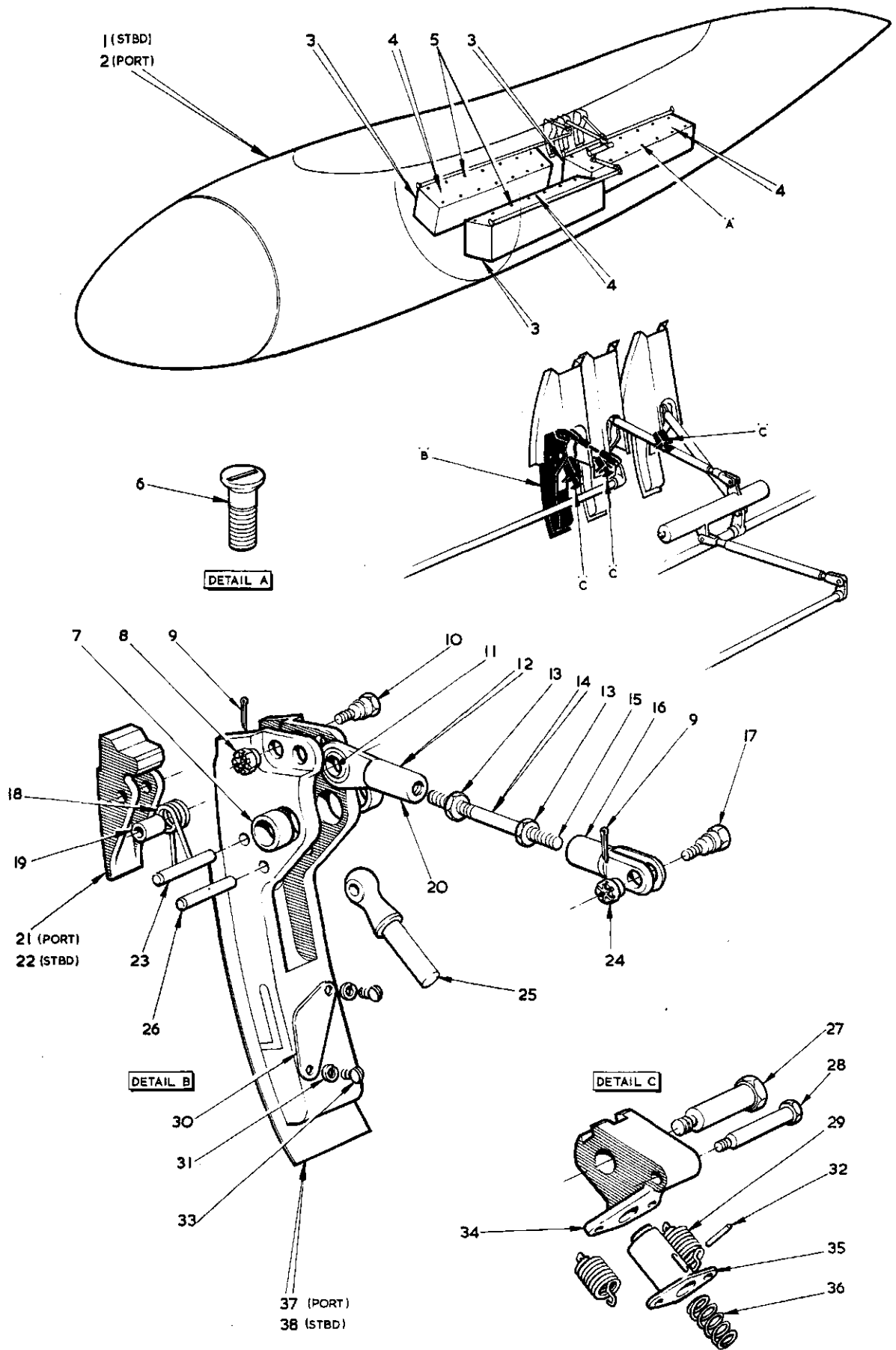


FIG.9 WINDOW DISPENSING CONTAINER (PORT AND STBD WING)

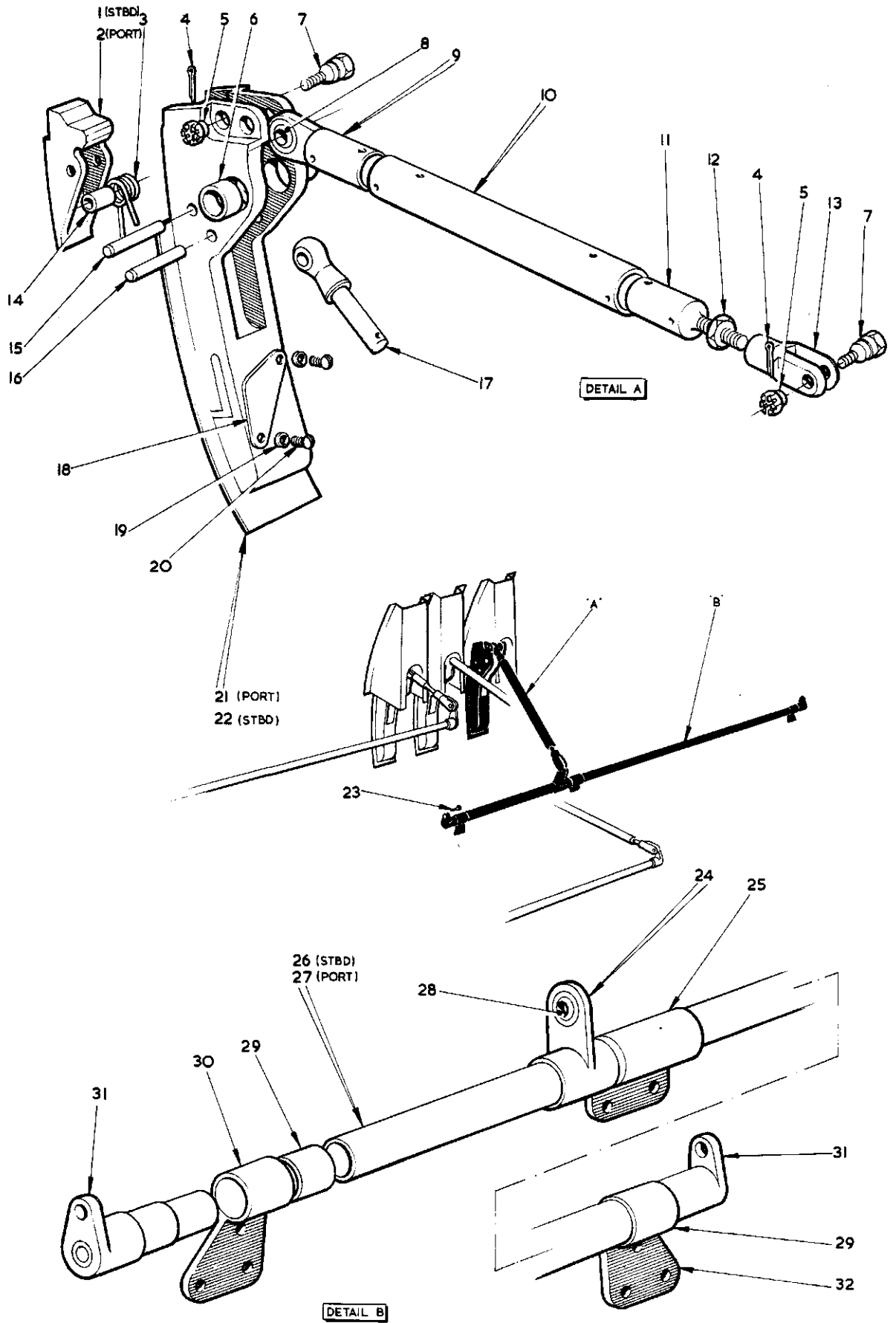


FIG. 10 WINDOW DISPENSING CONTAINER (PORT AND STBD WING)

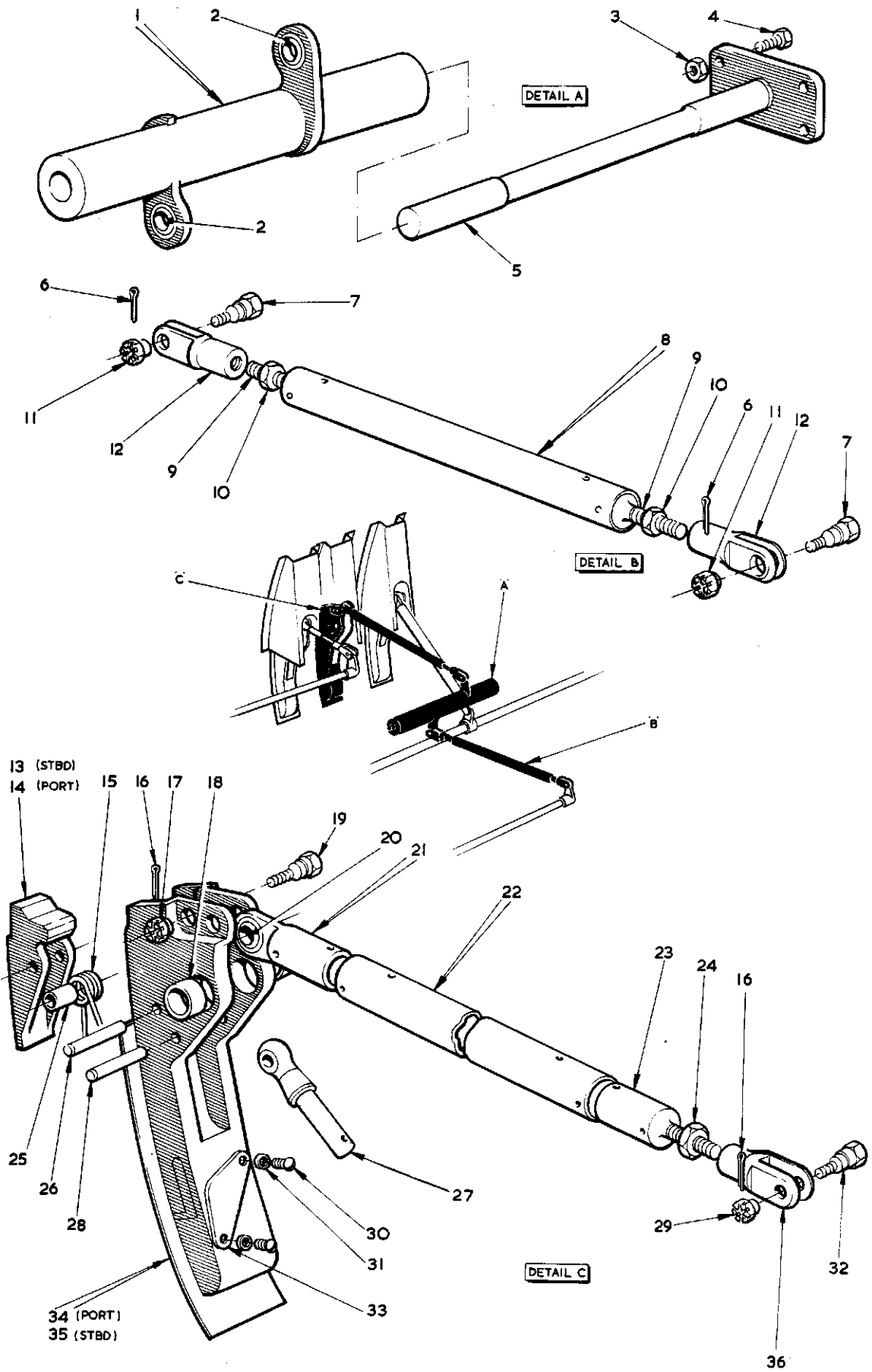


FIG. 11 WINDOW DISPENSING CONTAINER (PORT AND STBD WING)

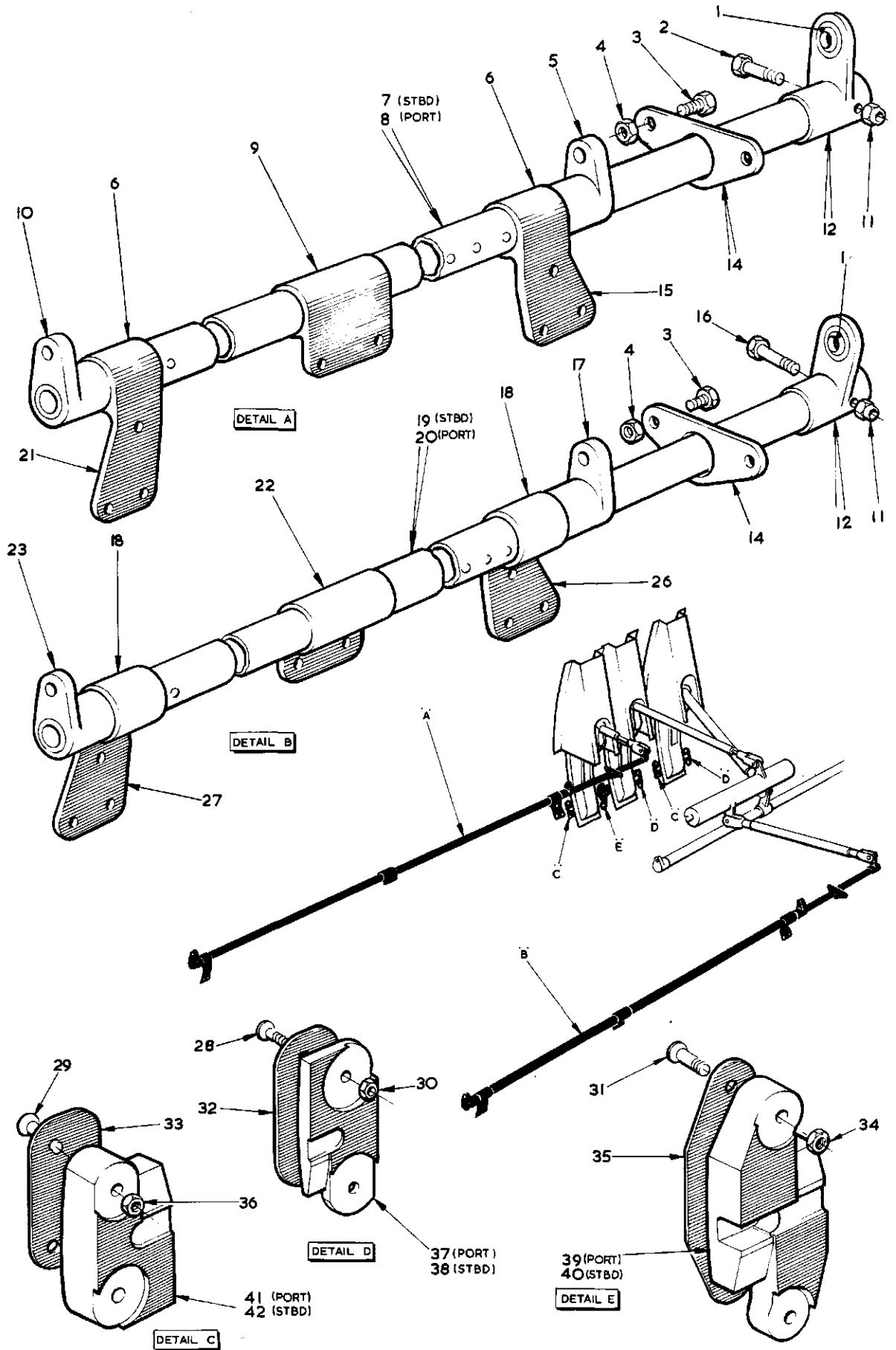


FIG.12 WINDOW DISPENSING CONTAINER (PORT AND STBD WING)

This file was downloaded
from the RTFM Library.

Link: www.scottbouch.com/rtfm

Please see site for usage terms,
and more aircraft documents.

