

UNDERCARRIAGE

MAIN UNDERCARRIAGE, PORT

Part Number	Description 1 2 3 4 5 6	No. Off	Mati. Spec.	Plate No.
EA1.40.1	MAIN UNDERCARRIAGE, PORT, ASSEMBLY Consisting of:	1	-	1/16
EA3.40.5 LEG, OLEO (LESS WHEEL), FIXED FAIRING AND BRAKE UNIT), GROUP Consisting of:	1	-	1/10
DUNLOP AH9597 BRAKE-UNIT (For spares see AP4515.C, Vol.3, Part 1, Chap.37)	1	-	1/12
DUNLOP KJN16N COVER, outer, 43" x 13".5 x 19" (Dunlop-DR.4521 Firestone-ZA.341 and ZA.173 and Goodyear-GA.1209 alternatives)	1	-	1/18
EA3.20.853 FAIRING, FIXED, GROUP (Supplied with trim allowance) Spares for:	1	-	1/5
EA3.20.2869 PANEL, HINGE, ASSEMBLY Spares for:	1	-	1/2
EA1.20.1679 HINGE (Make from 28N/9486785)	1	-	1/7
EA1.20.1675 PANEL, hinge	1	L72	1/9
EA1.40.435 SPRING	2	Spring Steel	1/4
EA1.20.6817 PANEL, access, picket point	1	-	1/1
R EA3.20.1741 SEAL, 'P' (Pre Mod.5282) (Make from EEAS120) (26FZ/20626)	1	-	
R EA3.20.5319 SEAL, 'P' (Mod.5282) (Make from EEAS842) (26FZ/6147759)	1	-	
R EA3.20.1627 SEAL, 'P' (Pre Mod.5282) (Make from EEAS121) (26FZ/4432)	1	-	1/8
R EA3.20.5317 SEAL, 'P' (Mod.5282) (Make from EEAS843) (26FZ/6147758)	1	-	1/8
EA3.40.233 LEG, SLIDING, AND OLEO HEAD, GROUP Spares for:	1	-	2/28
EA6.40.35 BOLT, brake-unit securing	10	S97	3/40
EA1.40.153 BUSH, bearing, torque link, centre joint	4	DTD412	2/47
EA3.40.231 HEAD, OLEO, GROUP Spares for:	1	-	2/32
EA1.40.89 BEARING, spherical seated, ball joint side stay Attaching parts for EA1.40.89:	1	S11	2/23
EA1.40.101 Bush, bearing	1	DTD412	2/24
EA1.40.95 Ring, lower, retaining ball joint	1	DTD124	2/30
EA1.40.97 Ring, upper, retaining ball joint	1	DTD124	2/17
EA1.40.99 Stud, retaining rings	12	S11	2/34
EA9.40.63 BUSH, pivot	2	DTD412	2/6
EA1.40.111 BUSH, torque link lug Attaching parts for EA1.40.111:	2	DTD412	2/39
EA1.40.679 Plug, bearing bush retaining	1	L40	2/36
EA1.40.133 DISC, sealing, piston dowel plug Attaching parts for EA1.40.133:	2	L40	2/20
EA1.40.625 Screw, retaining, plug dowel seal	1	L40	2/22
EA1.40.131 DOWEL, piston	2	S11	2/19
EA9.40.55 HEAD, oleo, forging	1	DTD5094	2/4
EA1.40.103 HOOK, 'S' shaped	2	MS Wire	2/7
EA1.40.127 PIPE, stack, assembly Attaching parts for EA1.40.127:	1	-	2/14
AGS1138/B Washer, jointing	1	-	2/16

UNDERCARRIAGE
MAIN UNDERCARRIAGE, PORT

Part Number	Description	No. Off	Matl. Spec.	Plate No.
EA1.40.17	PISTON, OPERATING, GROUP Consisting of:	1	—	2/70
EEAS37/22A	NIPPLE, 2BA	2	S11	2/60
EA1.40.647	PISTON	1	DTD197	2/76
EA1.40.649	PLATE, orifice enclosure control Attaching parts for EA1.40.649:	1	S11	2/80
EA1.40.61	Bolt, special	3	S11	2/81
EA1.40.651	Ring, piston	1	—	2/79
EEAS.38/3A	SPOKE, 2BA (Make from 28R/6328)	1	S11	2/67
EA1.40.117	STRUT, piston main	1	T4	2/61
EA1.40.155	RING, sealing	2	Synthetic Rubber	2/21
H.P. COMP'S A58	VALVE, charging Attaching parts for A58:	1	—	2/11
AS1246/5C	Bolt, 2BA round head	1	—	2/8
EA1.40.105	Tube, distance	1	L40	2/13
SP47/C	Washer, 2BA spring	1	—	2/12
AGS1138/8	Washer, jointing	1	—	2/15
EA1.40.149	Washer, locking valve Attaching parts for EA3.40.231:	1	DTD124	2/2
EA1.40.519	Bolt, securing, fixed fairing mounting brackets to leg	8	—	2/27
SP47/E	Washer, 1/4" BSF spring	8	—	2/25
EA3.40.235	LEG, SLIDING, COMPRESSION, GROUP Consisting of:	1	—	3/19
EA3.40.201	BOLT, clamp axle, locking	1	S95	3/29
EA3.40.45	BUSH, bearing	1	—	3/15
EA1.40.161	BUSH, bearing in leg	2	DTD124	3/34
EA3.40.13	CLAMP, AXLE, GROUP Spares for:	1	—	3/27
EA3.40.23	BUSH	1	L16	3/35
EA3.40.17	CLAMP, axle body	1	—	3/28
EA3.40.19	LINK, towing	1	—	3/36
EA3.40.21	WASHER, tow link	1	—	3/26
EA3.40.209	HOUSING, seal	1	L65	3/10
EA3.40.9	LEG, sliding, c/w integral axle, assembly Spares for:	1	—	3/21
EA3.40.51	PIN, shear	1	—	3/23
EA3.40.53	SCREW, grub	1	—	3/24
EA1.40.41	NUT, stop	1	S11	3/6
EA3.40.221	PIN, locking, piston	3	S97	3/3
EA3.40.219	PISTON, sliding leg	1	DTD197	3/1
EA1.40.175	PLATE, orifice Attaching parts for EA1.40.175:	1	L65	3/5
EA1.40.61	Bolt, stud	6	S11	3/4
EA3.40.203	PLUG, sealing	1	L40	3/25
EA1.40.677	PLUG, pivot, bearing bush retaining	2	L40	3/30
EA1.40.45	RING, retaining felt washer Attaching parts for EA1.40.45:	1	S3	3/16
AS1242/1B	Bolt, 4BA c/sk head	8	—	3/18

UNDERCARRIAGE
MAIN UNDERCARRIAGE PORT

Part Number	Description						No. Off	Matl. Spec.	Plate No.
	1	2	3	4	5	6			
EA1.40.57	RING, piston	1	-	3/2
EA3.40.205	RING, sealing on plug	1	Soft Rubber	3/31
EA3.40.207	RING, distance between sealing and backing rings	1	L.64	3/14
EA3.40.211	RING, sealing seal housing	1	Soft Rubber	3/11
EA3.40.213	RING, sealing seal housing	2	Soft Rubber	3/12
EA3.40.215	RING, backing	2	Fabric	3/13
EA1.40.657	RING, spacer between fibre washer	1	CX18	3/8
EA1.40.659	RING, shock absorber stop	1	DTD683	3/33
EA1.40.167	SCREW, grub stop nut locking	1	S.1	3/7
EA1.40.39	WASHER, fibre under stop nut	1	BS216	3/9
EA1.40.43	WASHER, packing under ring retaining 3/16" thick To DEF STD83/19 (Part 3)	1	RS4 Felt	3/17
R 30A9437135	WIRE, locking 22 SWG	QR	DTD189A	3/32
EA1.40.467	LEVER, COWL DOOR MECHANISM GROUP	1	-	2/9
						Spares for:-			
EA1.40.465	BUSH, bearing	2	L.40	2/1
EA1.40.529	LEVER, operating	1	-	2/10
						Attaching parts for EA1.40.467:-			
EA1.40.517	Bolt, securing	4	-	2/3
R EA1.40.27	LINK, torque top	1	DTD5024	2/59
						Attaching parts for EA1.40.27:-			
A27SS	Nut, 1/4" BSF slotted	1	-	2/50
EA1.40.69	Pin, bearing top torque link	1	S.11	2/35
EA3.40.27	Pin, bearing torque link joint	1	S.97	2/64
EA1.40.77	Screw, retaining bearing pin	1	S.11	2/55
EA1.40.139	Screw, grub locking top bearing pin	1	MS	2/56
EA1.40.619	Shim, bearing pin sleeve	1	LA	2/38
EA1.40.73	Sleeve, bearing for torque link	1	S.11	2/40
EA1.40.75	Washer, bearing thrust	1	DTD412	2/37
EA1.40.79	Washer, locking bearing pin screw	1	MS or S515	2/57
EA1.40.83	Washer, spacing at torque link joint between link bearing	1	S.11	2/66
EA1.40.147	Washer, bearing thrust	1	DTD412	2/43
EA3.40.29	Washer, at torque link joint	1	S.96	2/51
EA3.40.31	Washer, at torque link joint	1	S.96	2/54
R EA1.40.28	LINK, torque bottom	1	DTD5024	2/68
						Attaching parts for EA1.40.28:-			
A27SS	Nut, 1/4" BSF slotted	1	-	2/50
EA1.40.67	Pin, bearing bottom torque link	1	S.11	2/65
EA3.40.27	Pin, bearing torque link joint	1	S.97	2/64
EA1.40.77	Screw, retaining bearing pin	1	S.11	2/74
EA1.40.139	Screw, grub locking bottom bearing pin	1	MS	2/73
EA1.40.619	Shim, bearing pin sleeve	1	LA	2/75
EA1.40.71	Sleeve, bearing for torque link	1	S.11	2/77
EA1.40.75	Washer, bearing thrust	1	DTD412	2/78
EA1.40.79	Washer, locking bearing pin retaining screw	1	MS or S515	2/78
EA1.40.83	Washer, spacing at torque link joint between link bearing	1	S.11	2/66
EA1.40.147	Washer, bearing thrust	1	DTD412	2/72
EA3.40.29	Washer, at torque link joint	1	S.96	2/51
EA3.40.31	Washer, at torque link joint	1	S.96	2/54

UNDERCARRIAGE

MAIN UNDERCARRIAGE, PORT

Part Number	1 2 3 4 5 6	Description	No. Off	Matl. Spec.	Plate No.
SP21	. . .	NIPPLE, lubricating, 1/4" BSF	5	LA	2/26
A27/NS	. . .	NUT, 1/4" BSF brake-unit securing	10	-	3/37
SP90/E8	. . .	PIN, split, brake-unit securing	10	-	3/38
E.A1.40.137	. . .	TAB, locking, 16 SWG Attaching parts for E.A1.40.137:-	1	MS	2/48
A31/B16	. . .	Screw, 4 BA cheese head	1	-	2/52
SP47/B	. . .	Washer, 4 BA spring	1	-	2/49
E.A3.40.43	. . .	WASHER, brake-unit securing	10	-	3/39
DUNLOP	. . .	TUBE, inner, 43" x 13".5 x 19"	1	-	1/19
KJ.9					
DUNLOP	. . .	WHEEL, undercarriage (For spares see AP.4515C, Vol. 3, Pt. 1, Sect. 2, Chap. 37)	1	-	1/14
AH.9343					
or					
DUNLOP	. . .	WHEEL, undercarriage (For spares see AP.4515C, Vol. 3, Pt. 1, Sect. 2, Chap. 37)	1	-	1/15
AH.50439					
E.A9.40.73	. . .	STAY, SIDE, UNDERCARRIAGE, GROUP (Mod. 5051) Spares for:-	1	-	4/1
E.A1.40.221	. . .	BOLT, connecting, undercarriage operating jack	1	S65 or S81	4/6
E.A1.40.239	. . .	BOLT, stop link stay Attaching parts for E.A1.40.239:-	1	S65 or S81	4/46
E.A1.40.353	. . .	Nut, lock	1	S11	4/45
E.A1.40.405	. . .	BOLT, sequence valve operating	1	S11	4/40
E.A1.40.229	. . .	BRACKET, stop bolt Attaching parts for E.A1.40.229:-	1	S11	4/44
A25/15L	. . .	Bolt, 7/16" BSF hex. head	1	-	4/30
A25/8L	. . .	Bolt, 7/16" BSF hex. head	2	-	4/39
A27/LS	. . .	Nut, 7/16" BSF slotted	3	-	4/41
E.A1.40.403	. . .	BRACKET, sequence valve operating stud Attaching parts for E.A1.40.403:-	1	L40	4/33
A25/18L	. . .	Bolt, 7/16" hex. head	1	-	4/37
A27/LS	. . .	Nut, 7/16" BSF slotted	1	-	4/38
E.A1.40.199	. . .	LEVER, UNDERCARRIAGE LOCK, GROUP Consisting of:-	1	-	4/5.
E.A1.40.213	. . .	BUSH	1	DTD197	4/22
E.A1.40.201	. . .	LEVER	1	S11	4/15
E.A1.40.200	. . .	LEVER, UNDERCARRIAGE, LOCK, GROUP Consisting of:-	1	-	4/8
E.A1.40.213	. . .	BUSH	1	DTD197	4/20
E.A1.40.202	. . .	LEVER Attaching parts for E.A1.40.199 and E.A1.40.200:-	1	S11	4/16
E.A1.40.195	. . .	Bolt, hook	1	S61 or S65	4/18
E.A1.40.351	. . .	Nut, slotted, for hook catch pin bolt	1	-	4/27
E.A1.40.219	. . .	Tube, distance, for undercarriage "down" switch operating bracket	1	L40	4/31
SP124/Q	. . .	Washer, 5/8" BSF plain	1	-	4/26
E.A1.40.291	. . .	Washer, tab, at undercarriage hook catch bolt, 20 SWG	1	S3	4/21
E.A1.40.417	. . .	Washer, under tab and connecting bolt, 24 SWG	1	L72	4/19

UNDERCARRIAGE

NOSEWHEEL

Part Number	1 2 3 4 5 6	Description	No. Off	Matl. Spec.	Plate No.
SP21	. . .	NIPPLE Attaching parts for EA6.40.23:-	1	-	7/72
EA1.40.681	. . .	Bolt, special connecting	1	S96	7/47
A27/LS	. . .	Nut, 7/16" BSF slotted	1	-	7/51
SP90/E8	. . .	Pin, split	1	-	7/52
A31/C12	. . .	Screw, 2 BA round head	1	-	7/46
EA1.40.325	. . .	Washer, cap	1	DTD126A	7/50
SP47/C	. . .	Washer, 2 BA spring	1	-	7/45
SP21	. . .	NIPPLE, lubricating	1	-	7/75
EEAS37/24A	. . .	NIPPLE, 1/4" BSF, for strut tube spokes	24	S96	7/13
EA3.40.241	. . .	PAD, undercarriage "down" micro-switch (Mod 4449) Attaching parts for EA3.40.241:-	1	L40	7/41
A25/3C	. . .	Bolt, 2 BA head	3	-	7/62
SP47/C	. . .	Washer, 2 BA spring	3	-	7/61
EA3.40.75	. . .	PIN, latch	1	S96	7/32
EA1.40.277	. . .	PLATE, stop, stay link Attaching parts for EA1.40.277:-	1	S96	7/34
A25/5E	. . .	Bolt, 1/4" BSF hex. head	2	-	7/24
SP47/E	. . .	Washer, 1/4" BSF spring	2	-	7/30
EA3.40.67	. . .	SCREW, cap, locking plunger and spring retaining	1	L40	7/9
EA3.40.71	. . .	SCREW, grub, latch pin and bush retaining	1	S97	7/17
EA1.40.319	. . .	SHIM, laminated, stop plate adjusting	1	Lam. Alum.	7/31
EA1.40.431	. . .	SPINDLE, hook latch, nosewheel undercarriage stay Attaching parts for EA1.40.431:-	1	S96	7/39
AGS2031/4	. . .	Circlip, external	2	-	7/38
EA1.40.309	. . .	Tube, distance	1	-	7/40
EEAS38/4A	. . .	SPOKE, 1/4" BSF (Make from 28R/6330)	12	S96	7/14
EA3.40.69	. . .	SPRING, compression, locking plunger operating	1	Spring Steel	7/12
EA3.40.259	. . .	SPRING, leaf, for micro-switch operating finger (Mod 4449)	1	S515	7/21
R DOWTY DN1322Z Mk.2 or DN1322Z Mk.3	. . .	SWITCH, micro, undercarriage (Mod 4449) Attaching parts for DN1322Z Mk.2:-	2	-	7/8
A25/8B	. . .	Bolt, 4 BA hex. head ("up" switch)	2	-	7/7
AS1242/10B	. . .	Bolt, 4 BA c'sk head ("down" switch)	2	-	7/42
AGS2001/B/1	. . .	Nut, stiff, 4 BA	2	-	7/59
SP15/B	. . .	Washer, 4 BA plain	2	-	7/57
EA6.40.27	. . .	TUBE, strut, nose undercarriage Attaching parts for EA3.40.261:-	1	T60	7/25
EA1.40.451	. . .	Bolt, c/w spoke and nut	1	-	7/1
EA1.40.683	. . .	Bolt, special	1	S96	7/74
A27/LS	. . .	Nut, 7/16" BSF slotted	2	-	7/6
EA1.40.449	. . .	Pin, strut pivot, radius rod bearing	1	S65	7/4
SP90/E8	. . .	Pin, split	2	-	7/15
A35/C8	. . .	Screw, 2 BA, cheese head	1	-	7/69
EA1.40.325	. . .	Washer, special cap	3	DTD126A	7/2
SP47/C	. . .	Washer, 2 BA spring	1	-	7/70
EA1.40.455	. . .	SCREW, grub, 2 BA strut bearing pin locking	1	S96	5/5

UNDERCARRIAGE

NOSEWHEEL

Part Number	Description	No. Off	Mati. Spec.	Plate No.
EA1.31.277 or EEAS27/8/4B	. SHIM, laminated	2	Lam. Alum.	6/40
EA3.40.245	. SHIM, laminated	2	Lam. Alum.	6/41
EA1.40.601	. SPRING, return, undercarriage hook (Mod 4449)	1	DTD215	6/39
EA1.40.719	. SPRING, tension, undercarriage sequence valve	1	Spring Steel	5/2
EA1.40.719	. SPRING, forward door latch	1	Spring Steel	6/44
EA3.40.157	. STOP, door jack extension Attaching parts for EA3.40.157:—	2	S96	5/38
A27/ES	. Nut, 1/4" BSF slotted	1	—	5/37
SP90/C7	. Pin, split	1	—	5/40
EA1.40.701	. STOP, sequence valve lifter Attaching parts for EA1.40.701:—	1	S96	5/4
SP15/C	. Washer, 2 BA plain	1	—	5/6
EA9.40.37	. TAPPET, front latch lever Attaching parts for EA9.40.37:—	1	—	6/49
A27/CT	. Nut, 2 BA thin	1	—	6/40
—	. TUBE, inner (Dunlop KK2 and Goodyear GA90 are alternatives)	2	—	6/59
—	. TYRE, outer cover (Dunlop DR2565 and Goodyear GA1202 are alternatives)	2	—	6/60
DOWTY ROTOL 2.00397.042	. UNIT, undercarriage (Pre Mod 5209) (For spares see A.P.4515B, Vol. 3, Pt. 1)	1	—	6/54
DOWTY ROTOL 2.00396.040	. UNIT, undercarriage (Mod 5209) (For spares see A.P.4515B, Vol. 3, Pt. 1) (Pre Mod 5505)	1	—	6/55
200396041	. UNIT, undercarriage assembly (Mod 5505)	1	—	6/55
EA1.40.587	. WASHER, special packing, undercarriage sequence valve mounting bolt	2	L40	5/3
EEAS28/30/EU DUNLOP AH9590	. WASHER, special	1	S515	5/27
	. WHEEL, nose	2	—	6/61

UNDERCARRIAGE

MAIN UNDERCARRIAGE, STARBOARD

Part Number	Description	No. Off	Mati. Spec.	Plate No.
EA1.40.2	MAIN UNDERCARRIAGE, STARBOARD, ASSEMBLY Consisting of:	1	-	1/17
EA3.40.6	LEG, OLEO (LESS WHEEL, FIXED FAIRING AND BRAKE UNIT), GROUP Consisting of:	1	-	1/11
DUNLOP AH9598	BRAKE-UNIT (For spares see AP.4515C, Vol.3, Part 1, Sect.2, Chap.37)	1	-	1/13
R DUNLOP KJN16N	COVER, outer, 43" x 13" .5 x 19" (Dunlop DR4521 and Firestone-ZA341 are alternatives)	1	-	1/18
EA3.20.854	FAIRING, FIXED, GROUP (Supplied with trim allowance) Spares for:	1	-	1/6
EA3.20.2870	PANEL, HINGE, ASSEMBLY Spares for:	1	-	1/3
EA1.20.1679	HINGE (Make from 28N/9486785)	1	-	1/7
EA1.20.1676	PANEL, hinge	1	L72	1/9
EA1.40.436	SPRING	2	Sp. Steel	1/4
EA1.20.6817	PANEL, access, picket point	1	-	1/1
R EA3.20.1741	SEAL 'P' (Pre Mod.5282) (Make from EEAS120) (26FZ/20626)	1	-	
R EA3.20.5319	SEAL, 'P' (Mod.5282) (Make from EEAS842) (26FZ/6147759)	1	-	
R EA3.20.1627	SEAL, 'P' (Pre Mod.5282) (Make from EEAS121) (26FZ/4432)	1	-	1/8
R EA3.20.5317	SEAL, 'P' (Mod.5282) (Make from EEAS843) (26FZ/6147758)	1	-	1/8
EA3.40.234	LEG, SLIDING AND OLEO HEAD, GROUP Spares for:	1	-	2/29
EA6.40.35	BOLT, brake-unit securing	10	S97	3/40
EA1.40.639	BRACKET, angle, micro-switch mounting Attaching parts for EA1.40.639:	1	L72	2/63
A25/4B	Bolt, 4BA hex. head	4	-	2/53
A27/BP	Nut, 4BA plain	4	-	2/42
EA1.40.335	Plate, packing	1	LA	2/58
SP47/B	Washer, 4BA spring	4	-	2/41
EA1.40.153	BUSH, bearing, torque link, centre joint	4	DTD412	2/47
EA1.40.671	FINGER, operating, micro-switch, plunger Attaching parts for EA1.40.671:	1	-	2/44
A31/C20	Screw, 2BA cheesehead	2	-	2/46
SP47/C	Washer, 2BA spring	2	-	2/45
EA3.40.232	HEAD, OLEO, GROUP Spares for:	1	-	2/33
EA1.40.89	BEARING, spherical seated, ball joint side stay Attaching parts for EA1.40.89:	1	S11	2/23
EA1.40.101	Bush, bearing	1	DTD412	2/24
EA1.40.96	Ring, lever, retaining, ball joint	1	DTD124	2/31
EA1.40.98	Ring, upper, retaining, ball joint	1	DTD124	2/18
EA1.40.99	Stud, retaining rings	12	S11	2/34
EA9.40.63	BUSH, pivot	2	DTD412	2/6
EA1.40.111	BUSH, torque link lug Attaching parts for EA1.40.111:	2	DTD412	2/39
EA1.40.679	Plug, bearing bush retaining	1	L40	2/36

UNDERCARRIAGE
MAIN UNDERCARRIAGE, STARBOARD

Part Number	Description	No. Off	Matl. Spec.	Plate No.
EA1.40.133	DISC, sealing, piston dowel plug Attaching parts for EA1.40.133:	2	L40	2/20
EA1.40.625	Screw, retaining, plug dowel seal	1	L40	2/22
EA1.40.131	DOWEL, piston	2	S11	2/19
EA9.07.36	HEAD, oleo, forging (EA9.40.56)	1	DTD5094	2/5
EA1.40.103	HOOK, 'S' shaped	2	MS Wire	2/7
EA1.40.127	PIPE, stack, assembly Attaching parts for EA1.40.127:	1	-	2/14
AGS1138/B	Washer, jointing	1	-	2/16
EA1.40.18	PISTON, OPERATING, GROUP Consisting of:	1	-	2/71
EEAS37/22A	NIPPLE, 2BA	2	S11	2/60
EA1.40.647	PISTON	1	DTD197	2/76
EA1.40.649	PLATE, orifice enclosure control Attaching parts for EA1.40.649:	1	S11	2/80
EA1.40.61	Bolt, special	3	S11	2/81
EA1.40.651	RING, piston	1	-	2/79
EEAS38/3A	SPOKE, 2BA (Make from 28R/6328)	1	S11	2/67
EA1.40.118	STRUT, piston, main	1	T4	2/62
EA1.40.155	RING, sealing	2	Synthetic Rubber	2/21
H.P. COMP'S A58 or AGS2096B	VALVE, charging Attaching parts for A58:	1	-	2/11
AS1246/5C	Bolt, 2BA round head	1	-	2/8
EA1.40.105	Tube, distance	1	L40	2/13
SP47/C	Washer, 2BA spring	1	-	2/12
AGS1138/B	Washer, jointing	1	-	2/15
EA1.40.149	Washer, locking, valve	1	DTD124	2/2
EA1.40.519	Bolt, securing, fixed fairing mounting brackets to leg	8	-	2/27
SP47/E	Washer, 1/4" BSF spring	8	-	2/25
EA3.40.236	LEG, SLIDING, COMPRESSION, GROUP Consisting of:	1	-	3/20
EA3.40.201	BOLT, clamp axle, locking	1	S95	3/29
EA3.40.45	BUSH, bearing	1	-	3/15
EA1.40.161	BUSH, bearing, in lug	2	DTD124	3/34
EA3.40.13	CLAMP, AXLE, GROUP Spares for:	1	-	3/27
EA3.40.23	BUSH	1	L16	3/35
EA3.40.17	CLAMP, axle body	1	-	3/28
EA3.40.19	LINK, towing	1	-	3/36
EA3.40.21	WASHER, tow link	1	-	3/26
EA3.40.209	HOUSING, seals	1	L65	3/10
EA3.40.10	LEG, sliding, c/w integral axle, assembly Spares for:	1	-	3/22
EA3.40.51	PIN, shear	1	-	3/23
EA3.40.53	SCREW, grub	1	-	3/24
EA1.40.41	NUT, stop	1	S11	3/6

UNDERCARRIAGE
MAIN UNDERCARRIAGE, STARBOARD

Part Number	Description						No. Off	Mati. Spec.	Plate No.
	1	2	3	4	5	6			
EA3.40.221	3	S.97	3/3
EA3.40.219	1	DTD197	3/1
EA1.40.175	1	L.65	3/5
EA1.40.61	6	S.11	3/4
EA3.40.203	1	L.40	3/25
EA1.40.677	2	L.40	3/30
EA1.40.45	1	S.1	3/16
AS1242/1B	8	-	3/18
EA1.40.57	1	-	3/2
EA3.40.205	1	Soft Rubber	3/31
EA3.40.207	1	L.64	3/14
EA3.40.211	1	Soft Rubber	3/11
EA3.40.213	2	Soft Rubber	3/12
EA3.40.215	2	Fabric CX18	3/13
EA1.40.657	1	L.40	3/8
EA1.40.659	1	L.40	3/33
EA1.40.167	1	S.1	3/7
EA1.40.39	1	BS216	3/9
EA1.40.43	1	RS4 Felt	3/17
R 30A/9606751	QR	DTD189A	3/32
EA1.40.467	1	-	2/9
EA1.40.465	2	L.40	2/1
EA1.40.529		-	2/10
EA1.40.517	4	-	2/3
R EA1.40.27	1	DTD5024	2/59
A27SS	1	-	2/50
EA1.40.69	1	S.11	2/35
EA3.40.27	1	S.97	2/64
EA1.40.77	1	S.11	2/55
EA1.40.139	1	MS	2/56
EA1.40.619	1	LA	2/38
EA1.40.73	1	S.11	2/40
EA1.40.75	1	DTD412	2/37
EA1.40.79	1	MS or S515	2/57
EA1.40.83	1	S.11	2/66
EA1.40.147	1	DTD412	2/43
EA3.40.29	1	S.96	2/51
EA3.40.31	1	S.96	2/54

UNDERCARRIAGE

MAIN UNDERCARRIAGE, STARBOARD

Part Number	Description	No. Off	Matl. Spec.	Plate No.
R E.A1.40.28	. . . LINK, torque, bottom Attaching parts for E.A1.40.28:—	1	DTD5024	2/68
A27/SS	. . . Nut, 1/4" BSF slotted	1	—	2/50
E.A1.40.67	. . . Pin, bearing, bottom torque link	1	S11	2/65
E.A3.40.27	. . . Pin, bearing, torque link joint	1	S97	2/64
E.A1.40.77	. . . Screw, retaining, bearing pin	1	S11	2/74
E.A1.40.139	. . . Screw, grub, locking, bottom bearing pin	1	MS	2/73
E.A1.40.619	. . . Shim, bearing, pin sleeve	1	LA	2/75
E.A1.40.71	. . . Sleeve, bearing, for torque link	1	S11	2/77
E.A1.40.75	. . . Washer, bearing, thrust	1	DTD412	2/78
E.A1.40.79	. . . Washer, locking, bearing pin retaining screw	1	MS or S515	2/69
E.A1.40.83	. . . Washer, spacing at torque link joint, between link bearing	1	S11	2/66
E.A1.40.147	. . . Washer, bearing, thrust	1	DTD412	2/72
E.A3.40.29	. . . Washer, at torque link joint	1	S96	2/51
E.A3.40.31	. . . Washer, at torque link joint	1	S96	2/54
SP21	. . . NIPPLE, lubricating, 1/4" BSF	5	L4	2/26
A27/NS	. . . NUT, 1/4" BSF, brake unit securing	10	—	3/37
SP90/E8	. . . PIN, split, brake unit securing	10	—	3/38
E.A1.40.137	. . . TAB, locking Attaching parts for E.A1.40.137:—	1	MS	2/48
A31/B16	. . . Screw, 4 BA cheese head	1	—	2/52
SP47/B	. . . Washer, 4 BA spring	1	—	2/49
E.A3.40.43	. . . WASHER, brake unit securing	10	—	3/39
DUNLOP KJ.9	. . . TUBE, inner, 43 x 13".5 x 19"	1	—	1/19
DUNLOP AH.9343 or	. . . WHEEL, undercarriage (For spares, see AP.4515C, Vol. 3, Pt. 1, Sect. 2, Chap. 37)	1	—	1/14
DUNLOP AH.50439	. . . WHEEL, undercarriage (For spares see AP.4515C, Vol. 3, Pt. 1, Sect. 2, (Chap. 37)	1	—	1/15
E.A9.40.74	. . . STAY, SIDE, UNDERCARRIAGE, GROUP (Mod. 5051) Spares for:—	1	—	4/2
E.A1.40.221	. . . BOLT, connecting, undercarriage operating jack	1	S65 or S81	4/6
E.A1.40.239	. . . BOLT, stop, link stay Attaching parts for E.A1.40.239:—	1	S65 or S81	4/46
E.A1.40.353	. . . Nut, lock	1	S11	4/45
E.A1.40.405	. . . BOLT, sequence valve operating	1	S11	4/40
E.A1.40.229	. . . BRACKET, stop bolt Attaching parts for E.A1.40.229:—	1	S11	4/44
A25/15L	. . . Bolt, 7/16" BSF hex. head	1	—	4/30
A25/8L	. . . Bolt, 7/16" BSF hex. head	2	—	4/39
A27/LS	. . . Nut, 7/16" BSF slotted	3	—	4/41
E.A1.40.404	. . . BRACKET, sequence valve operating stud Attaching parts for E.A1.40.404:—	1	L40	4/34
A25/18L	. . . Bolt, 7/16" BSF hex. head	1	—	4/37
A27/LS	. . . Nut, 7/16" BSF slotted	1	—	4/38

MAIN UNDERCARRIAGE, STARBOARD

Ref. No.	Part No.	Description	No. off	Matl. Spec.	Cl. of Equip. M.R. L.M.	Fig. and Index
531	E.A1.40.199	LEVER, UNDERCARRIAGE LOCK, GROUP Consisting of:—	1	—	C	4/5
532	E.A1.40.213	BUSH	1	DTD197	C	4/22
	E.A1.40.201	LEVER	1	S11	—	4/15
533	E.A1.40.200	LEVER, UNDERCARRIAGE LOCK, GROUP Consisting of:—	1	—	C	4/8
532	E.A1.40.213	BUSH	1	DTD197	C	4/20
	E.A1.40.202	LEVER	1	S11	—	4/16
		Attaching parts for E.A1.40.199 and E.A1.40.200:—				
525	E.A1.40.195	Bolt, hook	1	S65 or S81	C	4/18
22178	E.A1.40.351	Nut, slotted, for hook catch pin bolt	1	—	C	4/27
543	E.A1.40.219	Tube, distance, for undercarriage "down" switch operating bracket	1	L40	C	4/31
R 28W/1207395	SP124/Q	Washer, 5/8" BSF plain	1	—	C	4/26
544	E.A1.40.291	Washer, tab, at undercarriage hook catch bolt, 20 SWG	1	S3	C	4/21
547	E.A1.40.417	Washer, under tab and connecting bolt, 24 SWG	1	L72	C	4/19
13169	E.A3.40.192	LEVER, UNDERCARRIAGE "DOWN" MICRO- SWITCH OPERATING, ASSEMBLY Spares for:—	1	—	C	4/14
179	E.A1.40.569	SCREW, tappet	1	S11	C	4/24
6472	E.A1.40.225	LINK, SIDE STAY, GROUP	1	—	B/MR	4/48
		Spares for:—				
536	E.A1.40.227	BUSH, bearing	2	DTD197	C	4/47
		Attaching parts for E.A1.40.225:—				
526	E.A1.40.197	Bolt, connecting stay and link	1	S65 or S81	C	4/36
12916	E.A1.40.347	Nut, slotted	1	—	C	4/43
538	E.A1.40.223	Plug, adaptor	1	L40	C	4/35
37307	E.A1.40.765	Washer, link and link stay connecting bolt	1	S3	C	4/42
28N/9156370	SP21	NIPPLE, lubricating, 1/4" BSF	3	—	C	4/11
26667	E.A3.40.193	NUT, slotted, for undercarriage operating jack bolt ...	1	—	C	4/29
13184	E.A3.40.199	PLATE	1	DTD124	C	4/28
539	E.A1.40.205	ROLLER, stop, lever, assembly	1	—	C	4/9
		Attaching parts for E.A1.40.205:—				
527	E.A1.40.203	Bolt	1	S11	C	4/7
	E.A1.40.349	Nut, slotted (Made from A27/JS)	1	—	LM	4/10
7113	E.A1.40.233	SLEEVE, operating spring, for undercarriage lock stop	1	DTD197	C	4/32
540	E.A1.40.237	SPRING, compression, at lock stop	1	Sp. Steel	C	4/23
6119309	E.A9.40.80	STAY, side (Mod. 5051)	1	S97	C	4/4
541	E.A1.40.235	STOP, undercarriage lock	1	S11	C	4/25
542	E.A1.40.217	TUBE, distance, undercarriage jack bolt, under- carriage "down" switch	1	L40	C	4/17
545	E.A1.40.355	WASHER, link and link stay connecting bolt	1	L72	C	4/12

UNDERCARRIAGE

MAIN UNDERCARRIAGE, STARBOARD

Ref. No.	Part No.						Description	No. off	Matl. Spec.	Cl. of Equip. M.R. L.M.	Fig. and Index
		1	2	3	4	5					

R

AP101B-0417-3A

Page RB1

UNDERCARRIAGE

NOSEWHEEL

Part Number	Description	No. Off	Mati. Spec.	Plate No.	
					1
-	NOSEWHEEL ASSEMBLY (EA9.40.1)	-	-		
	Spares for:-				
EA9.40.15	. BLOCK, flexible hose support	2	LFS21	5/20	
	Attaching parts for EA9.40.15:				
A25/2C	. Bolt, 2BA hex head	1	-	5/31	
EA9.40.13	. Clip	1	-	5/28	
AGS2001/C/1	. Nut, stiff, 2BA	1	-	5/23	
EA9.40.17	. Washer, corner	2	L72	5/29	
EA1.40.617	. BOLT, adjusting, undercarriage door crosshead stop	2	HTS	5/22	
EA9.40.21	. BOLT, connecting, operating jack to undercarriage	1	S96	5/35	
EA1.40.605	. BOLT, hydraulic jack anchor	1	S97	5/32	
EA3.40.139	. BOLT, jack attachment to crosshead	1	S96	5/11	
EA1.40.491	. BOLT, noswheel door 'up' latch, forward	1	S96	6/51	
EA1.40.493	. BOLT, noswheel door 'up' latch, aft	1	S96	5/36	
EA9.40.11	. BOLT, nose undercarriage jack hinge	1	S95	6/21 5/21	
EA3.40.251	. BRACKET, UNDERCARRIAGE 'UP' HOOK ASSEMBLY (Mod 4449)	1	-	6/33	
	Spares for:-				
R EA1.40.385	. . BEAM BRACKET ASSEMBLY (Pre Alt.R60/304)	1	-	6/10	
R EA3.40.265	. . BEAM, BRACKET LOCKING HOOK, ASSEMBLY (Alt.R60/304)	1	-	6/10	
	Spares for:-				
R EA1.40.369	. . . LUG (Pre Alt.R60/304)	1	L40	6/21	
R EA3.40.263	. . . LUG (Alt.R60/304)	1	-		
EA1.40.377	. . . PLATE, locking	1	L72	6/20	
	Attaching parts for EA3.40.265				
A25/22C	. . Bolt, 2BA hex, head	8	-	6/13	
A26/CP	. . Nut, 2BA plain	8	-	6/1	
EA1.40.381	. . Tube, distance	8	L62	6/9	
SP47/C	. . Washer, spring, 2BA	8	-	6/2	
EA3.40.151	. . BOLT, stop, for buffer, assembly	2	S96	6/27	
	Attaching parts for EA3.40.151:				
AGS2001/J/1	. . Nut stiff, 3/8" BSF	1	-	6/12	
EA1.40.399	. . Washer, laminated	1	Lam.Alum.	6/17	
EA1.40.373	. . BRACKET, hook suspension	1	S96	6/28	
	Attaching parts for EA1.40.373:				
AGS2001/J/1	. . Nut, stiff 3/8" BSF	1	-	6/5	
SP16/J	. . Washer, 3/8" BSF plain	1	-	6/8	
EA1.40.399	. . Washer, laminated	1	Lam.Alum.	6/23	
EA3.40.249	. . HOOK, UNDERCARRIAGE 'UP', LATCH GROUP (Mod 4449)	1	-	6/34	
	Consisting of:				
EA3.40.147	. . . BOLT, special	1	DTD126A	//35	
EA1.40.393	. . . BUSH	1	DTD197	6/32	
EA3.40.243	. . . HOOK, 'up' latch	1	HTS	6/36	
A27/CP	. . . NUT, 2BA plain	1	-	6/38	

UNDERCARRIAGE

NOSEWHEEL

Part Number	Description	No. Off	Mati. Spec.	Plate No.
AGS162/C	. . . WASHER, spring Attaching parts for EA3.40.249:	1	-	6/37
EA1.40.371	. . . Bolt, pivot, for hook	1	S96	6/25
A27/ES	. . . Nut, 1/4" BSF slotted	1	-	6/29
EA1.40.389	. . . SCREW, adjusting, hook stop Attaching parts for EA1.40.389:	1	HTS S11	6/3
A27/EP	. . . Nut, 1/4" BSF plain	1	-	6/6
EA3.40.93	. . . CROSS-HEAD, NOSEWHEEL DOORS, C/W VALVE TRIP, ASSEMBLY Spares for:	1	-	5/7
EA3.40.97	. . . PIN, roller, top	1	S11	5/10
EA3.40.181	. . . PIN, roller, bottom	1	S11	5/13
EA1.40.553	. . . ROLLER, guide	2	L40	5/9
EA1.40.561	. . . VALVE, trip Attaching parts for EA1.40.561:	1	-	5/12
A33/C32	. . . Screw, 2BA c'sk head	1	-	5/19
EA3.40.95	. . . YOKE, crosshead	1	-	5/8
EA9.40.35	. . . LEVER, micro-switch operating, undercarriage door front latch Attaching parts for EA9.40.35:	1	L65	6/50
A25/14C	. . . Bolt, 2BA hex. head	1	-	6/47
AGS2001/C/1	. . . Nut, stiff, 2BA	1	-	6/46
EA1.40.731	. . . Piece, distance	1	S1	6/45
EA1.45.989	. . . Shim, laminated	2	Lam. Alum.	6/42
AS2811/7/023	. . . Spacer	2	L62	6/43
EA1.40.567	. . . LEVER, UNDERCARRIAGE SEQUENCE VALVE, ASSEMBLY Spares for:	1	-	5/1
EA1.40.569	. . . TAPPET, valve screw Attaching parts for EA1.40.569:	1	S96	5/16
A27/ET	. . . Nut, 1/4" BSF thin Attaching parts for EA1.40.567:	1	-	5/18
EA1.40.581	. . . Bolt, fulcrum	1	S96	5/14
A27/GP	. . . Nut, 5/16" BSF plain	1	-	5/15
EEAS28/35/FU	. . . Washer, packing	1	S515	5/17
EA1.40.703	. . . LEVER, BRACKET, UNDERCARRIAGE SEQUENCE VALVE, ASSEMBLY Spares for:	1	-	6/30
EA1.40.705	. . . BRACKET, sequence valve, rear	1	-	6/16
EA1.40.707	. . . BRACKET, sequence valve, front	1	-	6/15
EA1.40.573	. . . LEVER, sequence valve operating Attaching parts for EA1.40.573:	1	L40	6/22
EA1.40.709	. . . Bolt, fulcrum	1	-	6/31
A27/CS	. . . Nut, 2BA slotted	1	-	6/18
SP90/C7	. . . Pin, split	1	-	6/11
SP15/C	. . . Washer, 2BA plain	1	-	6/19
EA1.40.711	. . . Washer, spacing	2	L40	6/26

A.P.101B-0417-3A

UNDERCARRIAGE

Page RB3

NOSEWHEEL

Ref. No.	Part No.	Description	No. off	Matl. Spec.	Cl. of Equip. M.R. L.M.	Fig. and Index
179	E.A1.40.569	TAPPET, valve screw	1	S96	C	6/24
28M/1007403	A27/ET	Attaching parts for E.A1.40.569:— Nut, 1/4" BSF thin	1	—	C	6/14
28D/9133012	A25/3C	Attaching parts for E.A1.40.703:— Bolt, 2 BA hex. head	4	—	C	6/7
28M/1278190	AGS.2001/C/1	Nut, stiff, 2 BA	4	—	C	6/4
180	E.A1.40.531	LINK, DOOR OPERATING, ASSEMBLY	2	—	B	5/30
		Consisting of:—				
4778	E.A1.40.535	BOLT, eye, assembly	1	—	C	5/42
		Attaching parts for E.A1.40.535:—				
33793	E.A1.40.541	Nut, locking	1	—	C	5/39
	E.A1.40.533	TUBE, assembly	1	—	—	5/33
		Attaching parts for E.A1.40.531:—				
167	E.A1.40.593	Bolt, special, 1/4" BSF, link to door	1	S96	C	5/41
168	E.A1.40.595	Bolt, special, 1/4" BSF, link to crosshead	1	S96	C	5/24
28M/1011467	A27/ES	Nut, 1/4" BSF slotted	2	—	C	5/25
28P/9527169	SP90/C7	Pin, split	2	—	C	5/26
8987	E.A3.40.169	MUDGUARD, NOSEWHEEL, L.H., GROUP	1	—	B	6/69
		Consisting of:—				
5503	E.A3.40.133	FLAP, rubber, nosewheel mudguard	1	—	C	6/70
5504	E.A3.40.127	MUDGUARD, nosewheel	1	—	C	6/65
		Attaching parts for E.A3.40.127:—				
28D/1013177	AS.1242/2E	Bolt, 1/4" BSF c'sk head	9	—	C	6/52
28M/1007403	A27/ET	Nut, 1/4" BSF plain	6	—	C	6/53
5505	E.A3.40.131	Nut, shoulder, 1/4" BSF	3	S95	C	6/77
6948	E.A3.40.165	STAY, mudguard, assembly	1	DTD124A	C	6/73
6949	E.A3.40.167	STAY-END, mudguard attachment	3	L72 or L40	C	6/58
		Attaching parts for E.A3.40.167:—				
28D/9133012	A25/3C	Bolt, 2 BA hex. head	3	—	C	6/74
28M/1006473	A27/CT	Nut, 2 BA plain	3	—	C	6/75
28W/9419475	SP15/C	Washer, 2 BA plain	3	—	C	6/76
20930	E.A3.40.135	STRIP, backing	1	L72	C	6/66
		Attaching parts for E.A3.40.135:—				
28D/1007974	AS.1242/1/2C	Bolt, 2 BA c'sk head	3	—	C	6/67
5506	E.A3.40.137	Nut, shoulder, 2 BA	3	S95	C	6/68
		Attaching parts for E.A3.40.169:—				
28D/1011300	A25/7J	Bolt, 3/8" BSF hex. head	3	—	C	6/63
28W/9419477	SP15/J	Washer, 3/8" BSF plain	3	—	C	6/64
8988	E.A3.40.170	MUDGUARD, NOSEWHEEL, R.H., GROUP	1	—	B	6/62
		Spares for this assembly are identical with those for Part No. E.A3.40.169				
		Attaching parts for E.A3.40.170:—				
28D/1011300	A25/7J	Bolt, 3/8" BSF hex. head	3	—	C	6/71
28W/9419477	SP15/J	Washer, 3/8" BSF plain	3	—	C	6/72
28N/9156370	SP21	NIPPLE, lubricating	1	—	C	5/34
1439144	E.A3.40.261	ROD, RADIUS, GROUP	1	—	A	7/73
		Consisting of:—				
1439148	E.A3.40.255	BRACKET, micro-switch (Mod. 4449)	1	—	C	7/16
		Attaching parts for E.A3.40.255:—				
28D/9438920	A25/1C	Bolt, 2 BA hex. head	3	—	C	7/19
28M/9416643	SP47/C	Washer, 2 BA spring	3	—	C	7/20

R

UNDERCARRIAGE
NOSEWHEEL

Ref. No.	Part No.	Description	No. off	Matl. Spec.	Cl. of Equip. M.R. L.M.	Fig. and Index
28N/9156370	SP21	NIPPLE	1	—	C	7/72
		Attaching parts for E.A6.40.23:—				
184	E.A1.40.681	Bolt, special connecting	1	S96	C	7/47
28M/9129449	A27/LS	Nut, 7/16" BSF slotted	1	—	C	7/51
28P/9560929	SP90/E8	Pin, split	1	—	C	7/52
28S/9130668	A31/C12	Screw, 2 BA round head	1	—	C	7/46
202	E.A1.40.325	Washer, cap	1	DTD126A	C	7/50
28W/9416643	SP47/C	Washer, 2 BA spring	1	—	C	7/45
28N/9156370	SP21	NIPPLE, lubricating	1	—	C	7/75
1100	EEAS.37/24A	NIPPLE, 1/4" BSF, for strut tube spokes	24	S96	C	7/13
1439145	E.A3.40.241	PAD, undercarriage "down" micro-switch (Mod. 4449)	1	L40	C	7/41
		Attaching parts for E.A3.40.241:—				
28D/9133012	A25/3C	Bolt, 2 BA head	3	—	C	7/62
28W/9416643	SP47/C	Washer, 2 BA spring	3	—	C	7/61
3659	E.A3.40.75	PIN, latch	1	S96	C	7/32
197	E.A1.40.277	PLATE, stop, stay link	1	S96	C	7/34
		Attaching parts for E.A1.40.277:—				
28D/1011240	A25/5E	Bolt, 1/4" BSF hex. head	2	—	C	7/24
28W/9416644	SP47/E	Washer, 1/4" BSF spring	2	—	C	7/30
3657	E.A3.40.67	SCREW, cap, locking plunger and spring retaining	1	L40	C	7/9
3660	E.A3.40.71	SCREW, grub, latch pin and bush retaining	1	S97	C	7/17
	E.A1.40.319	SHIM, laminated, stop plate adjusting	1	Lam. Alum.	—	7/31
199	E.A1.40.431	SPINDLE, hook latch, nosewheel undercarriage stay	1	S96	C	7/39
		Attaching parts for E.A1.40.431:—				
28N/2001540	AGS.2031/4	Circlip, external	2	—	C	7/38
6182	E.A1.40.309	Tube, distance	1	—	C	7/40
	EEAS.38/4A	SPOKE, 1/4" BSF (Make from 28R/6330)	12	S96	LM	7/14
3658	E.A3.40.69	SPRING, compression, locking plunger operating	1	Spring Steel	C	7/12
1439146	E.A3.40.259	SPRING, leaf, for micro-switch operating finger (Mod.4449)	1	S515	C	7/21
R 5CW/6200653	DOWTY DN.1322Z Mk.2 or	SWITCH, micro, undercarriage (Mod. 4449)	2	—	B	7/8
5CW/6200653	DN.1322Z MK3	SWITCH, micro (Mod. 4959 Amdt. No. 1)	—	—	—	—
		Attaching parts for DN.1322Z Mk.2:—				
28D/1011011	A25/8B	Bolt, 4 BA hex. head ("up" switch)	2	—	C	7/7
28D/1214303	AS.1242/10B	Bolt, 4 BA c'sk head ("down" switch)	2	—	C	7/42
28M/1278189	AGS.2001/B/1	Nut, stiff, 4 BA	2	—	C	7/59
28W/9419474	SP15/B	Washer, 4 BA plain	2	—	C	7/57
1895	E.A6.40.27	TUBE, strut, nose undercarriage	1	T60	C	7/25
		Attaching parts for E.A3.40.261:—				
161	E.A1.40.451	Bolt, c/w spoke and nut	1	—	C	7/1
170	E.A1.40.683	Bolt, special	1	S96	C	7/74
28M/9129449	A27/LS	Nut, 7/16" BSF slotted	2	—	C	7/6
181	E.A1.40.449	Pin, strut pivot, radius rod bearing	1	S65	C	7/4
28P/9560929	SP90/E8	Pin, split	2	—	C	7/15
28S/9146378	A35/C8	Screw, 2 BA, cheese head	1	—	C	7/69
202	E.A1.40.325	Washer, special cap	3	DTD126A	C	7/2
28W/9416643	SP47/C	Washer, 2 BA spring	1	—	C	7/70
3748	E.A1.40.455	SCREW, grub, 2 BA strut bearing pin locking	1	S96	C	5/5

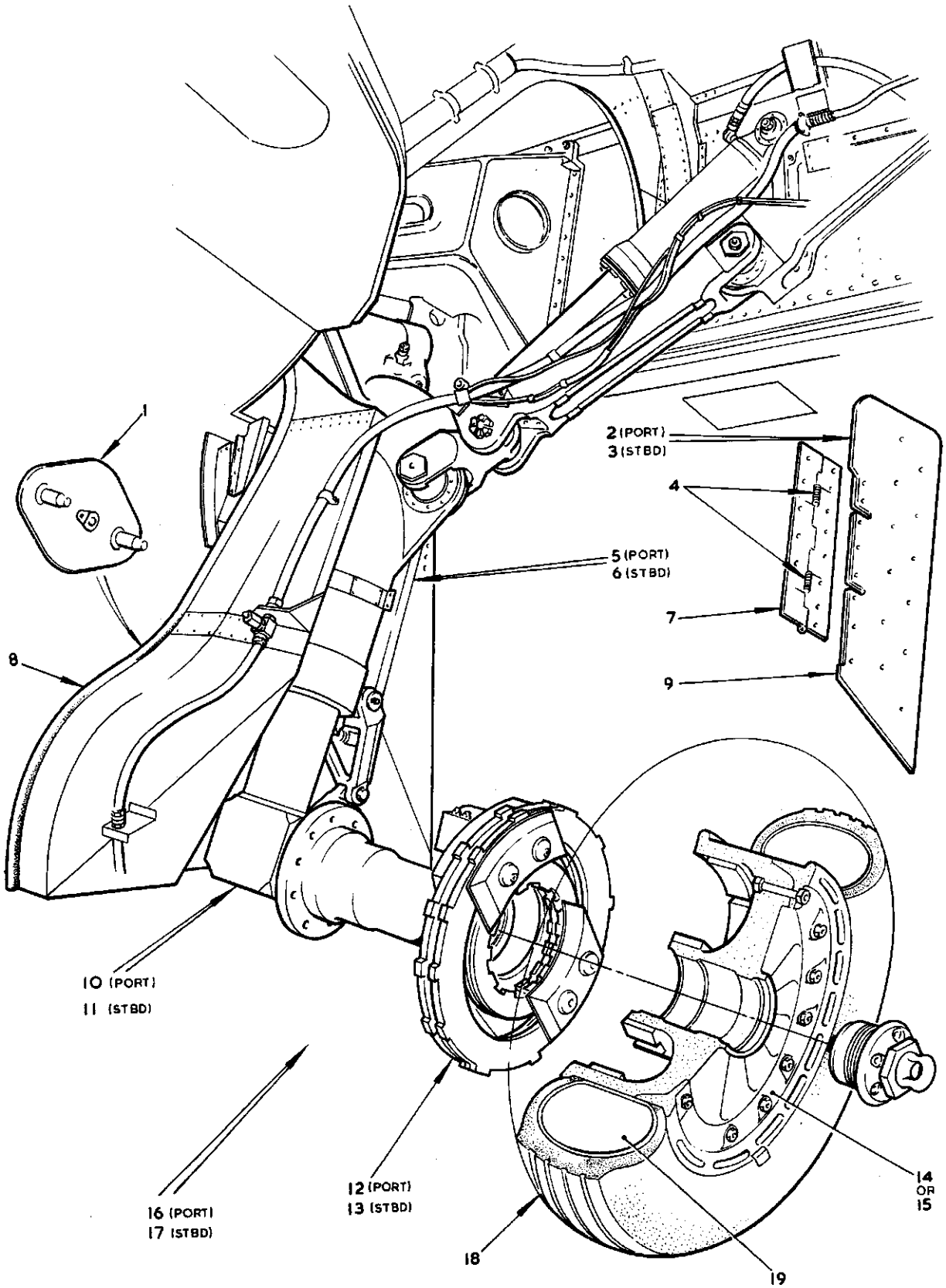


FIG I. MAIN UNDERCARRIAGE PORT & STBD
Restricted

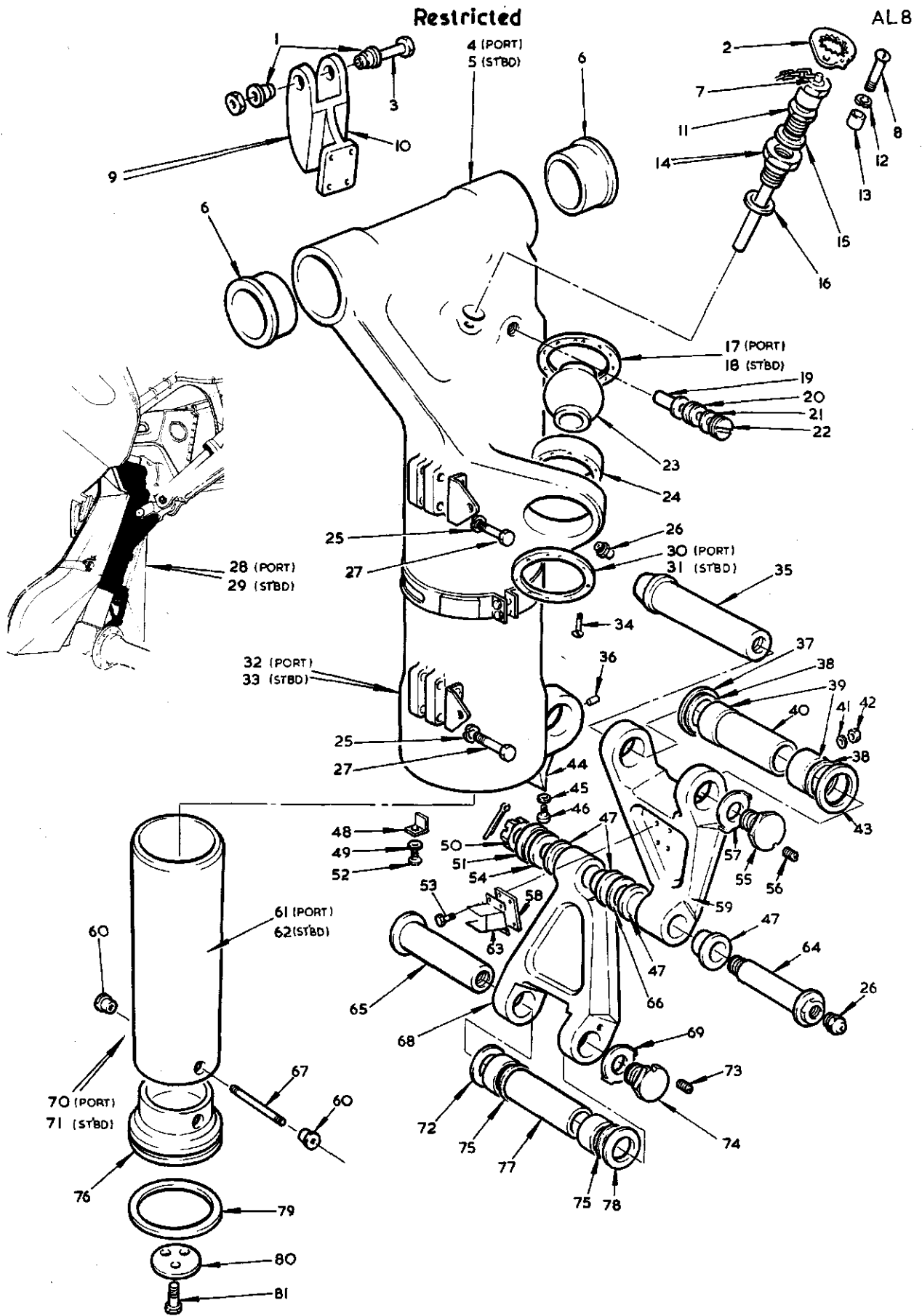


FIG 2. MAIN UNDERCARRIAGE PORT & STBD
Restricted

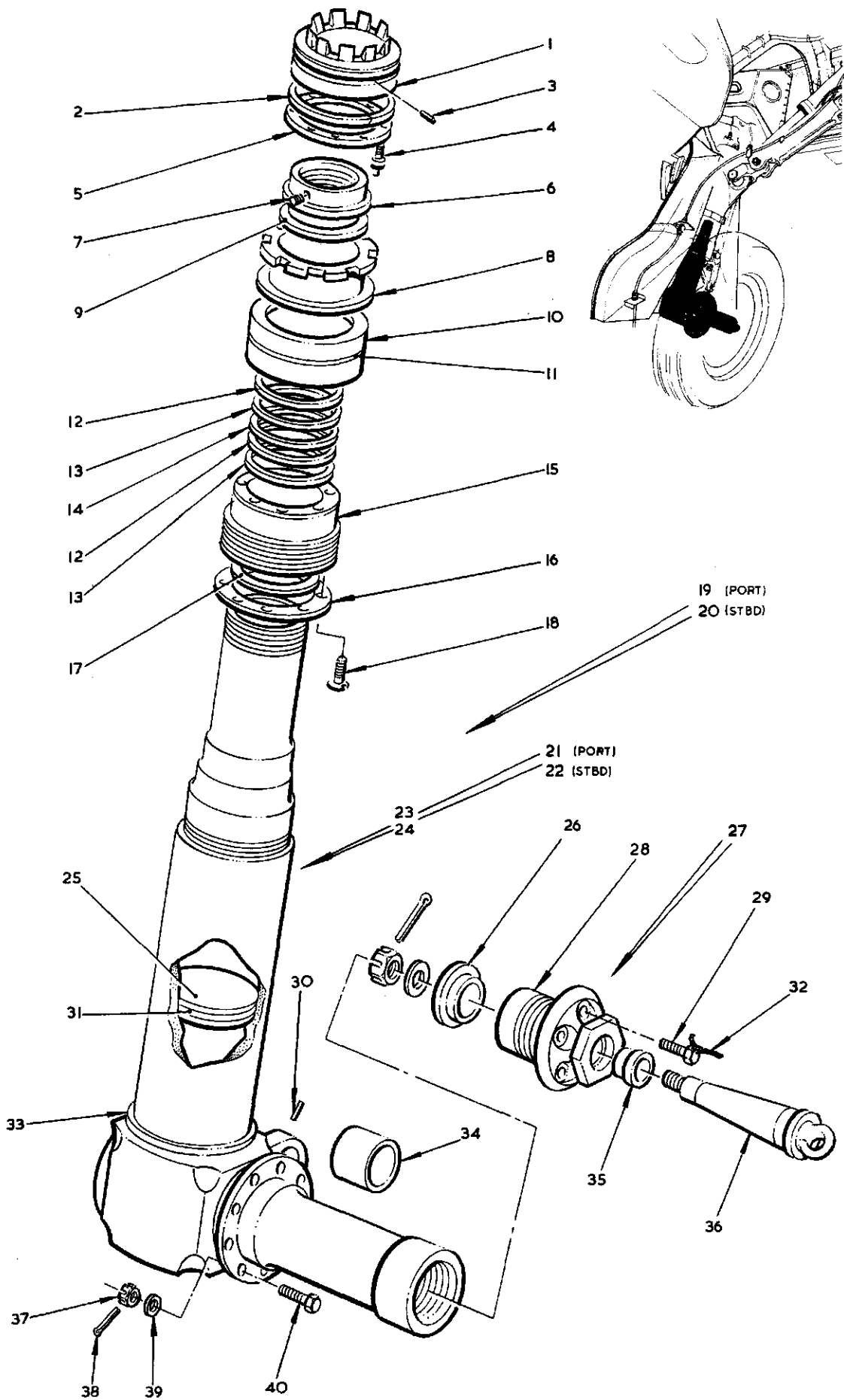


FIG 3. MAIN UNDERCARRIAGE PORT & STBD
Restricted

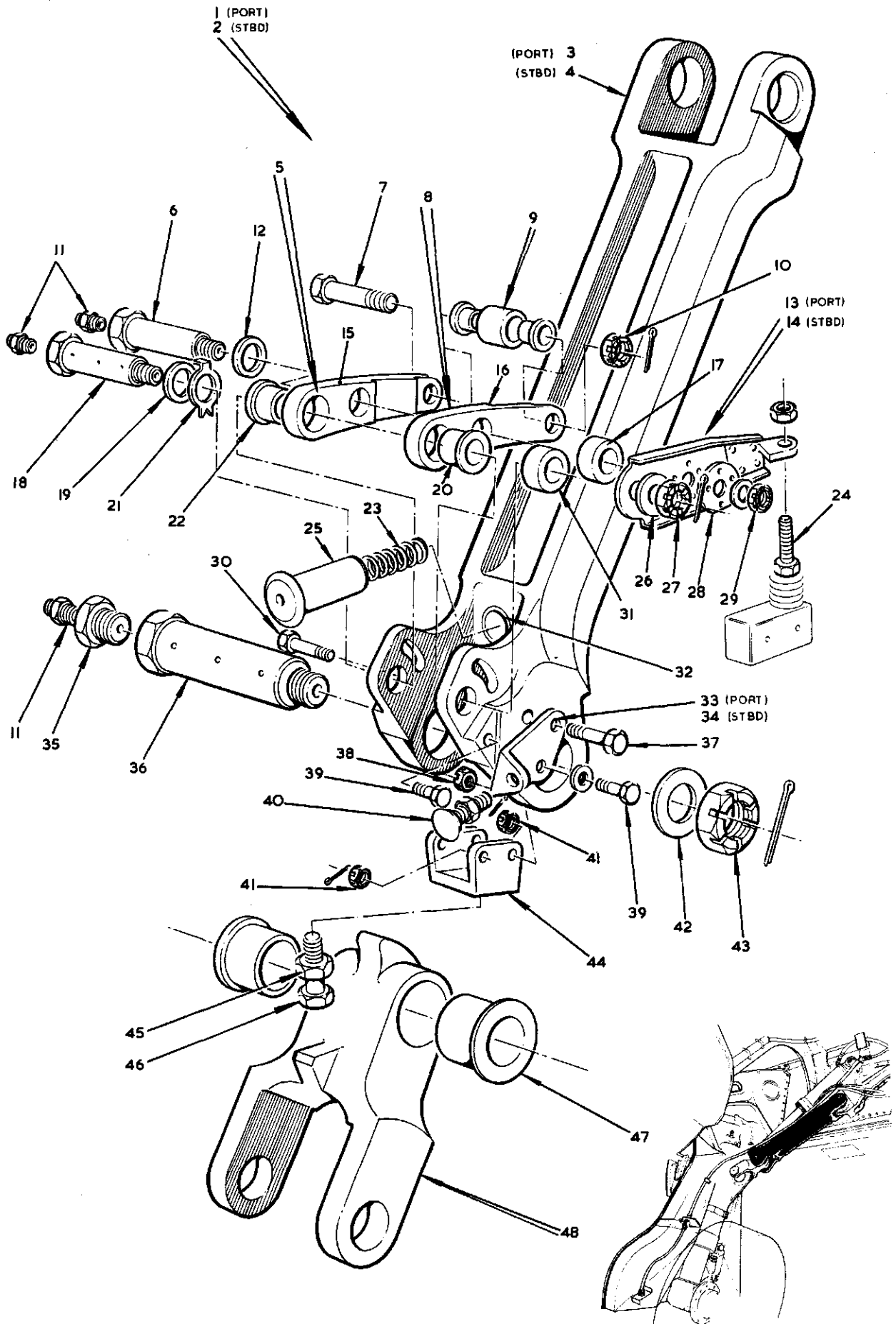


FIG 4. MAIN UNDERCARRIAGE PORT & STBD

Restricted

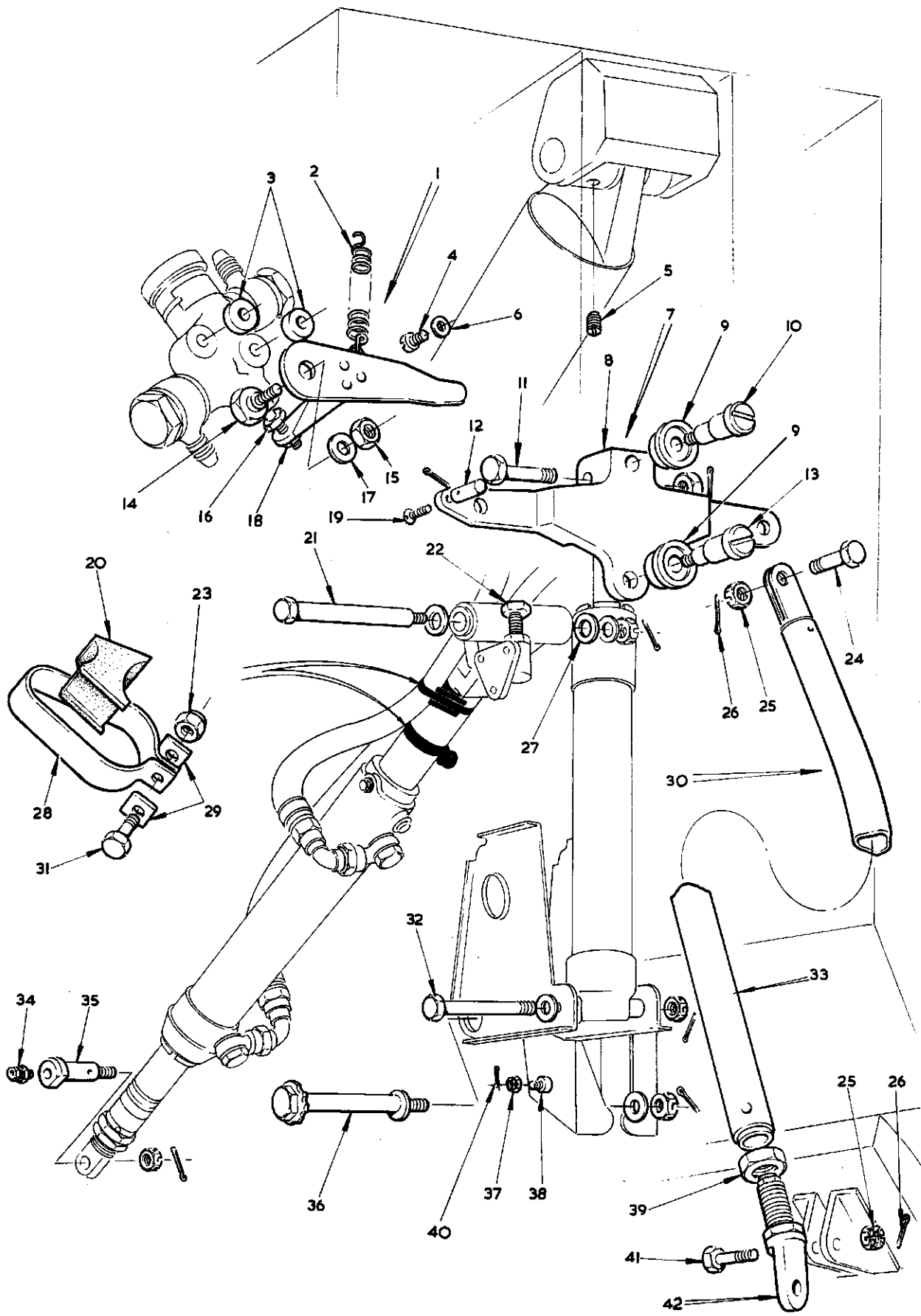


FIG 5. NOSEWHEEL
Restricted

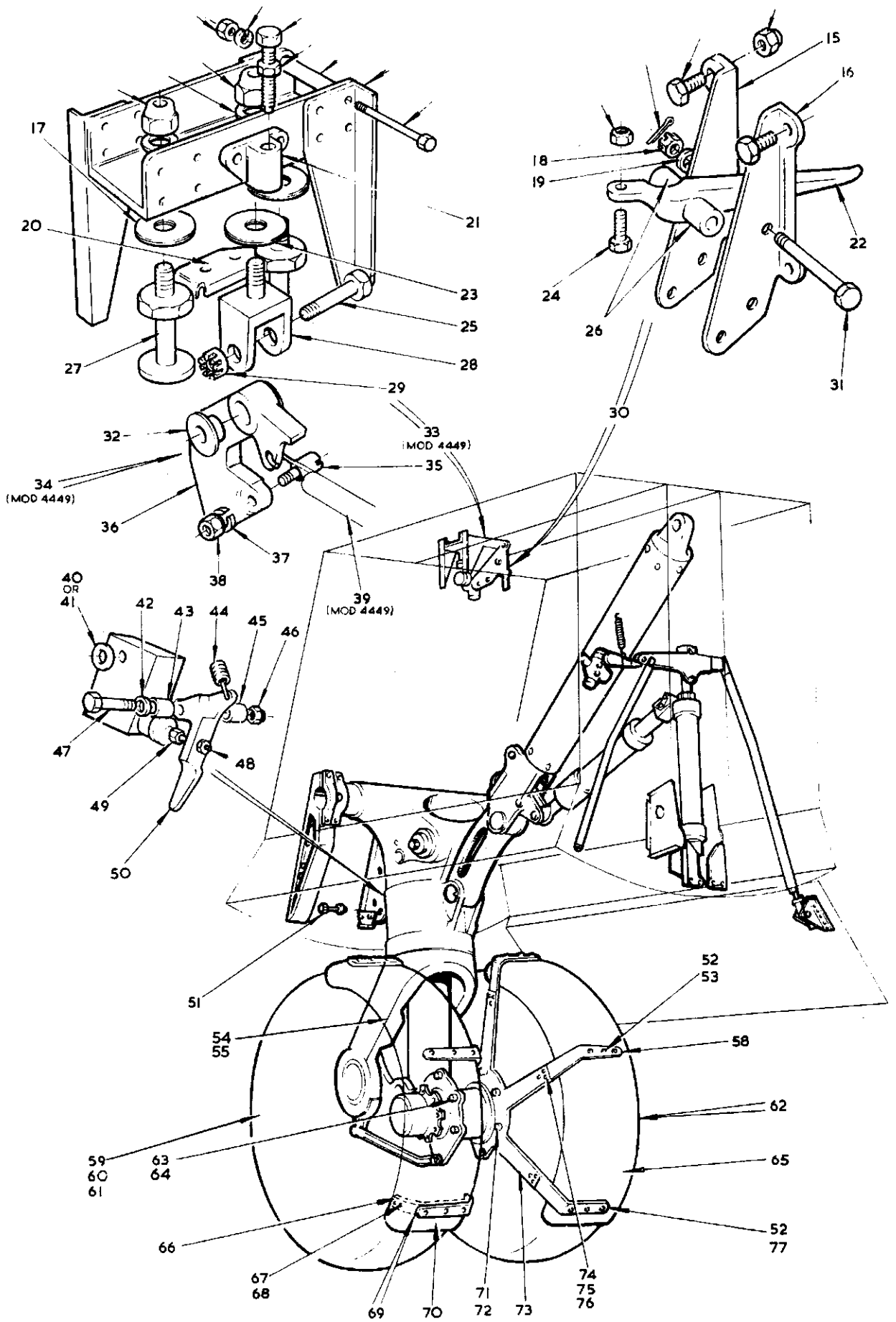


FIG 6 NOSEWHEEL

This file was downloaded
from the RTFM Library.

Link: www.scottbouch.com/rtfm

Please see site for usage terms,
and more aircraft documents.

