

A.P.101B-0418-3A

RADIO AND RADAR

Page M1

I.F.F. (A.R.I.23134) INSTALLATION

Ref. No.	Part No.	Description 1 2 3 4 5 6 7	No. off	Matl. Spec.	Cl. of Equip. M.R. L.M.	Fig. and Index
	E.G9.82.655	I.F.F. (A.R.I.23134) INSTALLATION (MOD. 4470) Spares for:—	—	—	—	1/1
	—	I.F.F. IN FRONT FUSELAGE (E.G9.82.657) Spares for:—	—	—	—	1/2
R 10HB/2238642	E.G9.82.715	CONNECTOR, I.F.1, from control transponder set to navigator's control panel T/B, internal lighting T/B, and pressure bulkhead	1	—	B	1/3
5895-99-956-3379	COSSOR LTD. 16929	SET, control transponder	1	—	A	1/4
	—	I.F.F. IN CENTRE FUSELAGE, ASSEMBLY (E.G9.82.659) Spares for:—	—	—	—	1/5
	—	AERIAL, UPPER, BETWEEN FRAMES 27 AND 28, INSTALLATION (E.B6.90.157) Spares for:—	—	—	—	1/6
R 10B/4280400	—	AERIAL, omni, type 100B Attaching parts for 10B/4280400:—	1	—	A	1/7
26569	E.B6.90.175	Block, packing	1	—	C	1/8
28D/1204937	AS.1242/6C	Bolt, 2 BA c'sk head	12	—	C	1/9
26573	E.B6.90.167	Seal, linatex, 1/16" thick	1	DTD900	C	1/10
26568	E.B6.90.173	MOUNTING, assembly	1	—	C	1/11
26572	E.B6.90.165	SEAL, skin, 3/4" linatex	1	DTD900	C	1/12
	E.G9.82.741	CONNECTOR, I.F.2, from pressure bulkhead, aerial switch unit, No. 2 distribution box, and I.F.F. tray T/B, to transmitter receiver (Pre-Mod. 4953) (Mod. 4866 Part A)	1	—	B	1/13
	E.G9.82.771	CONNECTOR, I.F.2, from pressure bulkhead, aerial switch unit, No. 2 distribution box, and I.F.F. tray T/B to transmitter receiver (Mod. 4953) (Mod. 4866 Part A)	1	—	—	—
R 10HB/2238644	E.G9.82.669	CONNECTOR, I.F.4, from transmitter receiver to aerial switch unit	1	—	B	1/14
10HB/16806	E.G9.82.671	CONNECTOR, I.F.5, from switch unit to upper aerial	1	—	B	1/15
	—	FAIRLEAD, FORWARD OF FRAME 28, INSTALLATION (E.B6.90.207) Spares for:—	—	—	—	2/1
41473	E.B7.90.265	FAIRLEAD, half Attaching parts for E.B7.90.265:—	2	—	C	2/2
28S/9995376	A32/B20	Screw, 4 BA round head	4	—	C	2/3
28W/9419465	SP13/B	Washer, 4 BA plain	4	—	C	2/4

RADIO AND RADAR

I.F.F. (A.R.I.23134) INSTALLATION

Ref. No.	Part No.	Description	No. off	Matl. Spec.	Cl. of Equip. M.R. L.M.	Fig. and Index
	E.G9.82.775	STRUCTURE, SUPPORT, ASSEMBLY (Mod. 4866 Part A) Spares for:—	1	—	—	1/16
	E.G9.82.749	STRUCTURE, SUPPORT Spares for:—	1	—	—	
10AR/1075637	E.G9.82.759 WTP.567	BRACKET, mounting assembly TRAY, mounting, 16946 Attaching parts for WTP.567:—	1 1	— —	— C	1/22
28D/1011029	A25/1E	Bolt, 1/4" BSF hex. head	4	—	C	1/23
5895-99- 107-1521	COSSOR LTD. 16941	SWITCH-UNIT, aerial Attaching parts for 16941:—	1	—	A	1/24
28D/9140638	A25/4B	Bolt, 4 BA hex. head	3	—	C	1/25
28W/9419465	SP13/B	Washer, 4 BA plain	3	—	C	1/26
5895-99- 956-3378	COSSOR LTD. 16928	TRANSMITTER/RECEIVER	1	—	A	1/27
	—	I.F.F., IN REAR FUSELAGE, ASSEMBLY (E.G9.82.661) Spares for:—	—	—	—	2/5
	—	AERIAL, LOWER, BETWEEN FRAMES 35 AND 36, INSTALLATION (E.B6.90.159) Spares for:—	—	—	—	2/6
R 10B/4280400	—	AERIAL, omni, type 100B Attaching parts for 10B/4280400:—	1	—	A	2/7
26571	E.B6.90.163	Block, packing	1	—	C	2/8
28D/1204937	AS.1242/6C	Bolt, 2 BA c'sk head	12	—	C	2/9
26573	E.B6.90.167	Seal, 1/16" linatex	1	DTD900	C	2/10
26570	E.B6.90.161	MOUNTING, assembly	1	—	C	2/11
26572	E.B6.90.165	SEAL, skin, 3/4" linatex	1	DTD900	C	2/12
R 10HB/2238646	E.G9.82.673	CONNECTOR, I.F.6, from switch unit to lower aerial type 100B	1	—	B	2/13
	—	GUARD, LOWER AERIAL, BETWEEN FRAMES 35 AND 36, INSTALLATION (E.B6.90.187) Consisting of:—	—	—	—	2/14
26566	E.B6.90.197	BRACKET, attachment Attaching parts for E.B6.90.197:—	4	—	C	2/15
28D/1010658	A25/1B	Bolt, 4 BA hex. head	4	—	C	2/16
28M/1278189	AGS.2001/B/1	Nut, stiff, 4 BA	4	—	C	2/17
28W/9419465	SP13/B	Washer, 4 BA plain	4	—	C	2/18
26567	E.B6.90.189	GUARD, assembly Attaching parts for E.B6.90.189:—	1	—	C	2/19
28D/7002428	A25/6C	Bolt, 2 BA hex. head	4	—	C	2/20
28M/1278190	AGS.2001/C/1	Nut, stiff, 2 BA	4	—	C	2/21
28W/9419402	SP13/C	Washer, 2 BA plain	4	—	C	2/22

AP101B-0418-3A

RADIO AND RADAR

INTERCOMMUNICATION (ARI 18089)

Part Number	Description	No. Off	Matl. Spec.	Plate No.	
					1
-	INTERCOMMUNICATION (ARI 18089), ASSEMBLY (EG9.82.19) Spares for:—	-	-	3/1	
10U9530085	. . . AMPLIFIER, type A, 1961 or L381	1	-	3/2	
-	. . . BLOCKS, MIC/TEL TERMINAL AND WIRING, INSTALLATION (EG9.82.357) Spares for:—	-	-	3/3	
WARD BROOKE WB/UN/1146 S/10B BLOCK, terminal, 10-way	3	-	3/4	
WARD BROOKE WB/NY/1110/ B/5B Attaching parts for WB/UN/1146/S/10B:— Cover	1	-	3/5	
AGS2001/B/1 Nut, stiff, 4BA	2	-	3/6	
WARD BROOKE WB/1114/28 Pillar	2	-	3/7	
EEAS550/10 Plate, ident.	1	L73	3/8	
SP13/B Washer, 4BA, plain	2	-	3/9	
WARD BROOKE WB/UN/1146/ D/10B BLOCK, TERMINAL, 10-way	1	-	3/10	
WARD BROOKE WB/NY/1110/ B/10B Attaching parts for WB/UN/1146/D/10B Cover	1	-	3/11	
AGS2001/B/1 Nut, stiff, 4BA	1	-	3/12	
WARD BROOKE WB/1114/28 Pillar, fixing	2	-	3/13	
EEAS551/20 Plate, ident	1	L73	3/14	
SP13/B Washer, 4BA plain	2	-	3/15	
WARD BROOKE WB/1146/78 LINK, 8-way	1	-	3/16	
MAM CO SLEEVE, 3 m/m i/d x 3/8" long, pink	QR	-	3/17	
WARD BROOKE WB/1114/23 SPACER	4	-	3/18	
TYPE 7682 BOX, junction (microphone)	3	-	4/1	
TYPE 7683 BOX, junction (telephone)	3	-	4/2	

RADIO AND RADAR
INTERCOMMUNICATION (ARI 18089)

Part Number	Description	No. Off	Matl. Spec.	Plate No.
TYPE 7684	. BOX, junction (main)	1	-	4/3
	Attaching parts for type 7684:—			
A25/12B	. Bolt, 4BA hex head	4	-	4/4
SP13/B	. Washer, 4BA plain	4	-	4/5
R 508-1-03442-003	. CAP, protective	5	-	4/6
508-1-41036	. CAP, protective	1	-	4/7
508-1-41037	. CAP, protective	1	-	4/8
EG9.82.293	. CONNECTOR, 1/C 1, from radio junction box to pilot's terminal block and navigator's JB7684	1	-	4/9
EG9.82.295	. CONNECTOR, 1/C 2, between navigator's and passenger's terminal block	1	-	4/10
EG9.82.297	. CONNECTOR, 1/C 3, between pilot's and passenger's terminal block	1	-	4/11
EG9.82.299	. CONNECTOR, 1/C 4, from pilots's terminal block to pilot's mic/tel socket	1	-	4/12
EG9.82.301	. CONNECTOR, 1/C 5, from passenger's terminal block to passenger's mic/tel socket	1	-	4/13
EG9.82.303	. CONNECTOR, 1/C 6, from navigator's terminal block to navigator's mic/tel socket	1	-	4/14
EG9.82.305	. CONNECTOR, 1/C 7, from navigator's terminal block to navigator's "press to transmit" switch	1	-	4/15
EG9.82.779 EG9.82.307	. CONNECTOR, 1/C 8, from junction box type 7684, to radio junction box	1	-	4/16
EG9.82.309	. CONNECTOR, 1/C 9, from pilot's junction box, type 7683, to junction box, type 7684	1	-	4/17
EG9.82.311	. CONNECTOR, 1/C 10, from pilot's junction box, type 7682 to junction box, type 7684	1	-	4/18
EG9.82.313	. CONNECTOR, 1/C 11, from pilot's control unit, type 7681 to pilot's junction box, type 7682	1	-	4/19
EG9.82.315	. CONNECTOR, 1/C 12, between pilot's and navigator's junction box, type 7682	1	-	4/20
EG9.82.317	. CONNECTOR, 1/C 13, between navigator's and passenger's junction box, type 7682	1	-	4/21
EG9.82.319	. CONNECTOR, 1/C 14, from navigator's control unit, type 7681 to navigator's junction box, type 7682	1	-	4/22
EG9.82.321	. CONNECTOR, 1/C 15, from passenger's control unit, type 7681 to passenger's junction box, type 7682	1	-	4/23
EG9.82.323	. CONNECTOR, 1/C 16, from pilot's control unit, type 7681 to pilot's junction box, type 7683	1	-	4/24
EG9.82.325	. CONNECTOR, 1/C 17, from navigator's control unit, type 7681 to navigator's junction box, type 7683	1	-	4/25

RADIO AND RADAR
INTERCOMMUNICATION (A.R.I. 18089)

Part Number	Description	No. Off	Matl. Spec.	Plate No.
EG9.82.327	. CONNECTOR, 1/C 18, from passenger's control unit, type 7681 to passenger's junction box, type 7683	1	—	4/26
EG9.82.329	. CONNECTOR, 1/C 19, between pilot's and navigator's junction box, type 7683	1	—	4/27
EG9.82.331	. CONNECTOR, 1/C 20, between navigator's and passenger's junction box, type 7683	1	—	4/28
EG9.82.333	. CONNECTOR, 1/C 21, from pilot's junction box, type 7682 to pilot's terminal block	1	—	4/29
EG9.82.335	. CONNECTOR, 1/C 22, from navigator's junction box, type 7682 to navigator's terminal block	1	—	4/30
EG9.82.337	. CONNECTOR, 1/C 23, from passenger's junction box, type 7682 to passenger's terminal block	1	—	4/31
EG9.82.339	. CONNECTOR, 1/C 24, from pilot's junction box, type 7683 to pilot's terminal block	1	—	4/32
EG9.82.341	. CONNECTOR, 1/C 25, from navigator's junction box, type 7683 to navigator's terminal block	1	—	4/33
EG9.82.343	. CONNECTOR, 1/C 26, from passenger's junction box, type 7683 to passenger's terminal block	1	—	4/34
EG9.82.345	. CONNECTOR, 1/C 27, from amplifier, type A1961 to radio junction box	1	—	4/35
EG9.82.347	. CONNECTOR, 1/C 28, from junction box type 7684 to amplifier, type A1961	1	—	4/36
EG9.82.349	. CONNECTOR, 1/C 29, from junction box type 7684 to radio junction box	1	—	4/37
EG9.82.351	. CONNECTOR, 1/C 30, from junction box type 7684 to tels. terminal block, navigator's table	1	—	4/38
EG9.82.353	. CONNECTOR, 1/C 31, from terminal block control column break, to pilot's terminal block	1	—	4/39
R TYPE 7681	. CONTROL-UNIT, station box (Pre Mod 5234) Attaching parts for type 7681:—	3	—	3/19
A31/B16	. Screw, 4 BA cheese head	4	—	3/20
A32/B16	. Screw, 4 BA round head (pilot's station)	4	—	3/21
SP13/B	. Washer, 4 BA plain	4	—	3/22
EG9.82.463	. LABEL, engraved, "RAD.COMP."	3	L72	3/23
EG9.82.465	. LABEL, engraved, "TACAN"	3	L72	3/24
EG9.82.467	. LABEL, engraved, "V.O.R./L.O.C."	3	L72	3/25
EG9.82.469	. LABEL, engraved, "U.H.F.S/BY"	3	L72	3/26
EG9.82.471	. LABEL, engraved, "I.L.S.MKR"	3	L72	3/27
EG9.82.473	. LABEL, engraved, "U/V.H.F."	3	L72	3/28
EG9.82.475	. LABEL, engraved, "OFF, U.H.F.S/BY, U/V.H.F.I/C"	3	L73	3/29
R TYPE 936	. MOUNTING	1	—	3/30

RADIO AND RADAR
INTERCOMMUNICATION

Part Number	Description	No. Off	Mati. Spec.	Plate No.
R —	INTRODUCTION OF I/C RELAY BOX AND STATION BOX 7681B AT EACH CREW STATION (EG9.82.941) (Mod 5234) Royal Navy aircraft only. Spares for:—	—	—	—
R EG9.82.947	. CABLE, assembly I/C 11	1	—	15/1
R EG9.82.949	. CABLE, assembly I/C 11A	1	—	15/2
R EG9.82.951	. CABLE, assembly I/C 32	1	—	15/3
R EG9.82.961	. CABLE, assembly I/C 15	1	—	15/4
R EG9.82.963	. CABLE, assembly I/C 15A	1	—	15/5
R EG9.82.965	. CABLE, assembly I/C 31	1	—	15/6
R EG9.82.971	. CABLE, assembly I/C 14	1	—	15/7
R EG9.82.973	. CABLE, assembly I/C 14A	1	—	15/8
R EG9.82.975	. CABLE, assembly I/C 33	1	—	15/9
R EG9.82.839	. LABEL "VHF"	3	—	15/10
R EG9.82.841	. LABEL "UHF"	3	—	15/11
R EG9.82.843	. LABEL "TACAN/ADF"	3	—	15/12
R EG9.82.845	. LABEL "OFF-VHF-UHF S/BY-UHF-IC"	3	—	15/13
R —	. MOUNTING OF PILOT'S I/C RELAY BOX (EG9.82.923) Spares for:—	—	—	16/1
R EG9.82.995	. . . BOX, I/C relay junction assembly Spares for:—	1	—	16/2
R EG9.82.993 BOX, shell, assembly Spares for:—	1	—	16/3
R EG9.82.953 BOX, shell	1	—	16/4
R EK5.82.675 FOOT, fixing	2	—	16/5
R EEAS87 NUT, side anchor	4	—	16/6
R EEAS15-37-70JR PLATE, packing	4	—	16/7
R EK5.82.679 BRACKET, relay mounting assembly Spares for:—	1	—	16/8
R EK5.82.255 BRACKET, mounting	1	—	16/9
R AGS2018B1 NUT, anchor, 4 BA Attaching parts for EK5.82.679:—	2	—	16/10
R A32B16 Screw, round head, 4 BA	2	—	16/11
R SP13B Washer, plain, 4 BA	2	—	16/12
R — DIAGRAM, wiring, intercomm relay JB (EG9.82.997) Spares for:—	—	—	—
R G198-1-1-3-19 SLEEVE	QR	—	—
R 19-006RED-TYPE -B WIRE, equipment	QR	—	—

AP 101B-0418-3A.

RADIO AND RADAR
INTERCOMMUNICATION

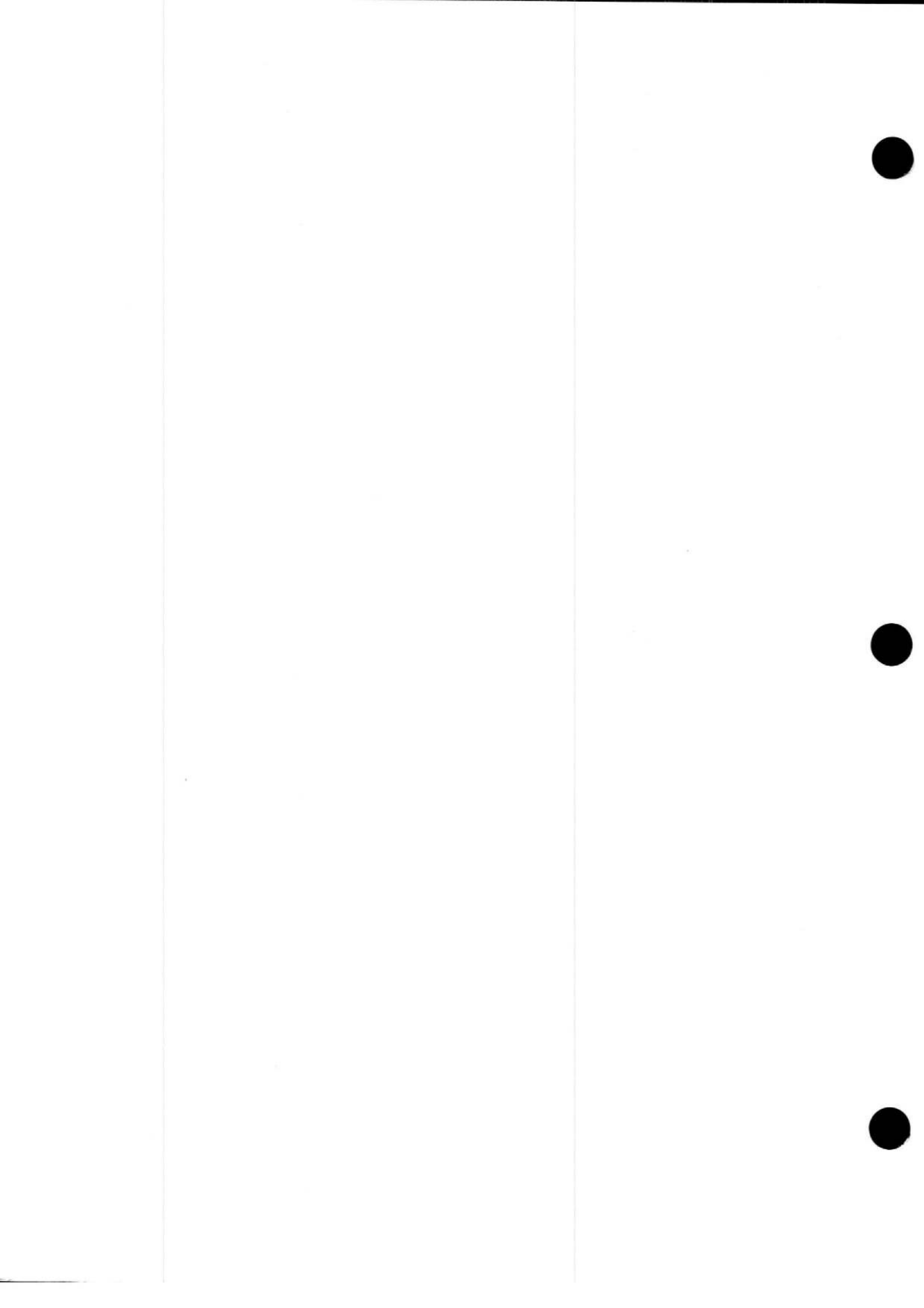
Part Number	Description	No. Off	Matl. Spec.	Plate No.
R EK5.82.655	. . . LID, box, assembly Spares for:—	1	—	16/13
R EK5.82.677 LID, assembly Spares for:—	1	—	16/14
R EEAS117-1 SCREW	4	—	16/15
R EEAS28-2CU WASHER	4	—	16/16
R EEAS42 WASHER, leather	8	—	16/17
R 602GB-127-8	. . . NUT, grommet, sealing	1	—	16/18
R 602GB-127-14	. . . NUT, grommet, sealing	2	—	16/19
R AGS2001A1	. . . NUT, stiff, 6 BA	4	—	16/20
R 602GB-115-20000	. . . PLUG, sealing	12	—	16/21
R 467-14-19S	. . . RECEPTACLE, connector	1	—	16/22
R 602-7-14-19S	or			
R 467-14-19P	. . . RECEPTACLE, connector	1	—	16/23
R 602-7-14-19P	or			
R 467-8-33P	. . . RECEPTACLE, connector	1	—	16/24
R 602-7-8-33P	or			
R RP7632ND2C	. . . RELAY, Type "F"	2	—	16/25
R A31A10	. . . SCREW, cheese head, 6 BA	4	—	16/26
R SP13A	. . . WASHER, plain, 6 BA	4	—	16/27
R A102-½D	Attaching parts for EG9.82.995:— . . Bolt, hex. head, 10-32 UNF	4	—	16/28
R SP124D	. . Washer, plain, 10-32 UNF	4	—	16/29
R EG9.82.925	. . PLATE, mounting, assembly Spares for:—	1	—	16/30
R MK2000-3	. . . NUT, anchor, 10-32 UNF	4	—	16/31
R EG9.82.991	. . . PLATE, mounting Attaching parts for EG9.82.925:—	1	—	16/32
R EEAS1-½C	. . Bolt, 2 BA, c'sk head	4	—	16/33
R —	. MOUNTING OF NAVIGATOR'S AND PASSENGER'S I/C RELAY BOX (EG9.82.931) Spares for:—	—	—	17/1
R EG9.82.985	. . ANGLE Attaching parts for EG9.82.985:—	2	L73-18SWG	17/2
R A25-1C	. . Bolt, 2 BA, hex. head	2	—	17/3
R EG9.82.935	. . ANGLE	1	L72-20SWG	17/4

RADIO AND RADAR
INTERCOMMUNICATION

Part Number	Description	No. Off	Mati. Spec.	Plate No.	
					1
R EG9.82.995	. . . BOX, I/C relay junction assembly Spares for:—	2	—	17/5	
R EG9.82.993 BOX, shell, assembly Spares for:—	1	—	17/6	
R EG9.82.953 BOX, shell	1	—	17/7	
R EK5.82.675 FOOT, fixing	2	—	17/8	
R EEAS87 NUT, side, anchor	4	—	17/9	
R EEAS15-37-70JR PLATE, packing	4	—	17/10	
R EK5.82.679 BRACKET, relay, mounting, assembly Spares for:—	1	—	17/11	
R EK5.82.255 BRACKET, mounting	1	—	17/12	
R AGS2018B1 NUT, anchor, 4 BA Attaching parts for EK5.82.679:—	2	—	17/13	
R A32B16 Screw, round head, 4 BA	2	—	17/14	
R SP13B Washer, plain, 4 BA	2	—	17/15	
R — DIAGRAM, wiring, intercomm relay JB (EG9.82.997) Spares for:—	—	—		
R G198-1-1-3-19 SLEEVE	QR	—		
R 19-006RED-TYPE -B WIRE, equipment	QR	—		
R EK5.82.655 LID, box, assembly Spares for:—	1	—	17/16	
R EK5.82.677 LID, assembly Spares for:—	1	—	17/17	
R EEAS117-1 SCREW	4	—	17/18	
R EEAS28-2CU WASHER	4	—	17/19	
R EEAS42 WASHER, leather	8	—	17/20	
R 602GB-127-8 NUT, grommet, sealing	1	—	17/21	
R 602GB-127-14 NUT, grommet, sealing	2	—	17/22	
R AGS2001A1 NUT, stiff, 6 BA	4	—	17/23	
R 602GB-115-20000 PLUG, sealing	12	—	17/24	
R 467-14-19S or RECEPTACLE, connector	1	—	17/25	
R 602-7-14-19S R 467-14-19P or RECEPTACLE, connector	1	—	17/26	
R 602-7-14-19P R 467-8-33P or RECEPTACLE, connector	1	—	17/27	
R 602-7-8-33P R RP7632ND2C RELAY, Type "F"	2	—	17/28	
R A31A10 SCREW, cheese head, 6 BA	4	—	17/29	
R SP13A WASHER, plain, 6 BA Attaching parts for EG9.82.995:—	4	—	17/30	
R A25-1C	. . . Bolt, hex. head, 2 BA	4	—	17/31	
R AGS2001C1	. . . Nut, stiff, 2 BA	4	—	17/32	
R SP122D	. . . Washer, plain	4	—	17/33	

RADIO AND RADAR
INTERCOMMUNICATION

Part Number	Description	No. Off	Matl. Spec.	Plate No.
R EG9.82.933	. . BRACKET, mounting, assembly Spares for:—	1	—	17/34
R EG9.82.939	. . . BRACKET, mounting	1	—	17/35
R EGS2007C1	. . . NUT, anchor, 2 BA	4	—	17/36
R AGS2007C1	. . NUT, anchor, 2 BA	4	—	17/37
R EG9.82.937	. . PLATE, mounting Attaching parts for EG9.82.937:—	1	L73-16SWG	17/38
R EEAS1-1C	. . Bolt, 2 BA, c'sk head	6	—	17/39
R AGS2001C1	. . Nut, stiff, 2 BA	6	—	17/40
R SP122D	. . Washer, plain	6	—	17/41
R LK0A-HS-B	. TIE, cable, insulok. black	QR	—	
R TYPE 7681B	. UNIT, control Attaching parts for TYPE 7681B:—	3	—	15/14
R A31B16	. Screw, 4 BA, cheese head	4	—	15/15
R A32B16	. Screw, 4 BA, round head (Pilot's station)	4	—	15/16
R SP13B	. Washer, 4 BA, plain	4	—	15/17



AP 101B-0418-3A

RADIO AND RADAR

MISS DISTANCE INDICATION

Part Number	Description	No. Off	Matl. Spec.	Plate No.	
					1
—	MISS DISTANCE INDICATION, ASSEMBLY (EG9.82.719) (Mod 4479) (ARI.23189/23190) Spares for:—	—	—	5/1	
EKCO TYPE M.3162	. DATA-PROCESSOR, No.1 (Radio active M.D.I. alternative to type M.3170) (S.O.O. Mod 4495)	1	—	5/2	
EKCO TYPE M.3170	. DATA-PROCESSOR (Acoustic M.D.I. alternative to type M.3162) (S.O.O. Mod 4495)	1	—	5/9	
EKCO TYPE M.3163	. DATA-PROCESSOR, No.2 (Radio active M.D.I. alternative to type M.3171) (S.O.O. Mod 4495)	1	—	5/3	
EKCO TYPE M.3171	. DATA-PROCESSOR, No.2 (Acoustic M.D.I. alternative to type M.3163) (S.O.O. Mod 4495)	1	—	5/4	
EKCO TYPE M.3164	. INDICATOR, miss distance (Radio active M.D.I. alternative to type M.3172) (S.O.O. Mod 4495)	1	—	5/5	
EKCO TYPE M.3172	. INDICATOR, miss distance (Acoustic M.D.I. alternative to type M.3164) (S.O.O. Mod 4495)	1	—	5/6	
AS1248/2B	. Bolt, 4 BA mushroom head	4	—	5/7	
EEAS28/7EU	. Washer, special	4	S515	5/8	
EKCO TYPE M.3167	. RECEIVER, miss distance (S.O.O. Mod 4495)	1	—	5/10	
—	MISS DISTANCE, FRONT FUSELAGE (EG9.82.723) Spares for:—	—	—	5/11	
EG9.82.729	. CONNECTOR, cable, assembly M.D.2, from indicator navigator's panel, to data processor No. 2, navigator's table	1	—	5/12	
EG9.82.731	. CONNECTOR, cable, assembly M.D.3, from indicator navigator's panel, to data processor No. 1, navigator's table	1	—	5/13	
EG9.82.733	. CONNECTOR, cable, assembly M.D.4, from data processor No. 1 and No. 2, to receiver, navigator's table, L.P. filter, group pulse, rest sockets	1	—	5/14	
EG9.82.241	. CONNECTOR, cable, assembly M.D.5, from receiver, navigator's table, to pressure bulkhead	1	—	5/15	

R

RADIO AND RADAR
MISS DISTANCE INDICATION

Part Number	Description	No. Off	Matl. Spec.	Plate No.
EG9.82.735	. CONNECTOR, cable, assembly M.D.6, from electrical control panel, to d.c. supply test socket	1	—	5/16
—	. SOCKET, test, navigator's console, installation (EG9.82.725) Spares for:—	—	—	5/17
GREEN PAR GE30001	. . CAP, and chain Attaching parts for GE30001:—	2	—	5/18
AGS2001/A/1 A32/A10	. . Nut, stiff, 6 BA	1	—	5/19
	. . Screw, 6 BA round head	1	—	5/20
THORN 10-101960-83	. . CAP, and chain Attaching parts for 10-101960-83:—	1	—	5/21
AGS2001/A/1 A32/A10	. . Nut, stiff, 6 BA	4	—	5/22
	. . Screw, 6 BA round head	4	—	5/23
EG9.82.727	. . LABEL, engraved	1	L72	5/24
—	MISS DISTANCE IN CENTRE FUSELAGE, ASSEMBLY (EG9.82.57) Spares for:—	—	—	5/25
EG9.82.243	. CONNECTION, M.D.5A, from pressure bulkhead to aerial plug break, frame 47	1	—	5/26
—	. FAIRLEAD, AT FRAME 29, INSTALLATION (EG9.82.271) Spares for:—	—	—	5/27
EG9.82.629	. . FAIRLEAD, assembly Attaching parts for EG9.82.629:—	1	LFS	5/28
A25/3B SP13/B	. . Bolt, 4 BA hex. head	4	—	5/29
	. . Washer, 4 BA plain	4	—	5/30
—	MISS DISTANCE, REAR FUSELAGE (EG9.82.721) Spares for:—	—	—	5/31
PATON AP1270	. ADAPTER, socket, bulkhead	1	—	5/32
E.M.I. ELECTRONICS 6C/B34126	. BASE, aerial, assembly	1	—	5/34
E.M.I. ELECTRONICS 6C/A44788	. ELEMENT, antenna	1	—	5/33
EG9.82.739	. SHIM, laminated, aerial base	1	Lam. Shim.	5/35

AP101B-0418-3A

RADIO AND RADAR

RADIO COMPASS (ARI 5877)

Part Number	Description	No. Off	Matl. Spec.	Plate No.	
					1
-	RADIO COMPASS (ARI 5877) ASSEMBLY (EG9.82.15) Spares for:—	1	-	6/1	
R 10B4307188	. AERIAL, loop, type 8280	1	-	6/2	
R 10U4307199	. AMPLIFIER, RF, type 8281	1	-	6/3	
R 10U4307201	. AMPLIFIER, IF, type 8282	1	-	6/4	
ED9/1498	. BACK-PLATE, control unit	1	-	6/5	
R 10AC4307225	. COUPLING, angle, type 513	1	-	6/6	
MARCONI	. DRIVE, tuning, type QFA/45	1	-	6/7	
R 10P4698455	. FILTER, voice range, type 1275	1	-	6/8	
TYPE	. MOUNTING, RF	1	-	6/9	
8288					
TYPE	. MOUNTING, IF	1	-	6/10	
8289					
TYPE	. UNIT, control	1	-	6/11	
8283					
R 10D4307190	. UNIT, QE, corrector	1	-	6/12	
-	RADIO COMPASS IN FRONT FUSELAGE, ASSEMBLY (EG9.82.35) Spares for:—	-	-	6/13	
EG9.82.245	. CONNECTOR, QA, from QE corrector unit to loop aerial, type 8280	1	-	6/14	
EG9.82.247	. CONNECTOR, QB, from pressure bulkhead to QE corrector unit	1	-	6/15	
EG9.82.249	. CONNECTOR, QB1, from bearing indicator, type 9551 to pressure bulkhead	1	-	6/16	
EG9.82.251	. CONNECTOR, QC, from bearing indicator, type 9551, to RF amplifier type 8281	1	-	6/17	
EG9.82.253	. CONNECTOR, QE, from control unit, type 8283 to RF, amplifier, type 8281	1	-	6/18	
EG9.82.255	. CONNECTOR, QG, from control unit, type 8283 to electrical control panel	1	-	6/19	
EG9.82.257	. CONNECTOR, QH, from IF amplifier, type 8282 to RF amplifier, type 8281	-	-	6/20	
EG9.82.259	. CONNECTOR, QJ, from voice range filter unit, type 1275, to TELS T/B navigator's station, and RF amplifier, type 8281	1	-	6/21	
EG7.82.455	. WASHER, special, for loop aerial in upper equipment hatch door	4	Neoprene	6/22	
-	RADIO COMPASS IN CENTRE FUSELAGE, ASSEMBLY (EG9.82.49) Spares for:—	-	-	6/23	
EG7.82.2871	. CONNECTOR, QD, RF amplifier, type 8281 to sense aerial plug break, rib 3 and 4, port wing (Mod 4715)	1	-	6/24	

RADIO AND RADAR
RADIO COMPASS (ARI 5877)

Part Number	1 2 3 4 5 6	Description	No. Off	Matl. Spec.	Plate No.
-	.	RADIO COMPASS IN PORT WING, ASSEMBLY (EG9.82.69) Spares for:—	-	-	6/25
-	.	AERIAL, RADIO COMPASS SENSE, PORT WING, INSTALLATION (EG9.82.291) Spares for:—	-	-	6/26
EG7.82.2631	.	AERIAL, SENSE, RADIO COMPASS, GROUP Consisting of:—	1	-	6/27
EG7.82.2637	.	AERIAL, assembly	1	L54	6/28
EG7.82.2639	.	CLIP, aerial support Attaching parts for EG7.82.2639:—	2	L72	6/29
AS1248/3C	.	Bolt, 2BA mushroom head	2	-	6/30
AGS2002/C/1	.	Nut, stiff, 2BA	2	-	6/31
SP15/C	.	Washer, 2BA plain	2	-	6/32
EG7.82.47	.	CONDUCTOR, aerial, assembly	1	-	6/33
EG7.82.39	.	INSULATOR, forward	1	L44	6/34
EG7.82.2633	.	INSULATOR, centre	1	L44	6/35
EG7.82.2635	.	INSULATOR, aft	1	L44	6/36
A54/C	.	NUT, 2BA plain	4	Brass	6/37
†	.	RUBBER, sorbo, 1" x 1".5 x 1/8" thick	2	-	6/38
A33/C18	.	SCREW, 2BA csk head	2	-	6/39
EG7.82.2889	.	SPACER (Mod 4715)	1	-	6/40
SP56/C	.	WASHER, 2BA spring Attaching parts for EG7.82.2631:—	3	-	6/41
AS1242/8C	.	Bolt, 2BA csk head	18	-	6/42
-	.	ALTERATIONS TO PORT WING, ASSEMBLY (EG9.20.69) Spares for:—	-	-	6/43
EG7.82.2765	.	BRACKET	1	L72	6/44
EG9.20.71	.	LANDING, panel	1	L73	6/45
EG7.20.785	.	LANDING, panel	1	L73	6/46
EG7.20.787	.	PANEL, access Attaching parts for EG7.20.787:—	2	L73	6/47
EEAS1/1.1/2C	.	Screw, 2BA csk head	16	S96	6/48
EG7.20.781	.	STIFFENER	1	L72	6/49
EG7.20.783	.	STIFFENER	2	L72	6/50
EG7.20.791	.	STRINGER	4	EEDX33	6/51
EG9.82.393	.	CONNECTOR, QD/1, from plug break to sense aerial, rib 3 and 4, port wing	1	-	6/52

RADIO AND RADAR

TACAN (ARI 18107/4)

Part Number	Description	No. Off	Mati. Spec.	Plate No.
—	TACAN (ARI 18107/4), ASSEMBLY (EG9.82.11) Spares for:—	—	—	7/1
R —	. ALTS TO TACAN INSTALLATION (EG9.82.849) (Mod 5234) Royal Navy aircraft only Spares for:—	—	—	
R EG9.82.825	. . CABLE, assembly, Tacan No.3 (Mod 5234)	1	—	7/14
110D8975519 or —	. TRANSMITTER/RECEIVER, type RT636/ARN72	1	—	7/2
10L2238183	. TRANSMITTER/RECEIVER, type RT220C/RN21	1	—	7/3
WTD143220	. UNIT, control, type 7750	1	—	7/4
—	. UNIT, coupling, type 9546	1	—	7/4
—	TACAN IN FRONT FUSELAGE, ASSEMBLY (EG9.82.31) Spares for:—	—	—	7/5
UG212C/U	. ADAPTER, angle, series HN	1	—	7/6
10AR4280395	. BACK-PLATE, coupling unit Attaching parts for 10AR/4280395:—	1	—	7/7
A31/B12	. Screw, 4 BA cheese head	9	—	7/8
A31/B20	. Screw, 4 BA cheese head	3	—	7/9
EG9.82.275	. CONNECTOR, No. 1, from pressure bulkhead to indicator, type 9547 at pilot's panel	1	—	7/10
EG9.82.277	. CONNECTOR, No. 1A, from coupling unit, type 9546, to pressure bulkhead	1	—	7/11
EG7.82.137	. CONNECTOR, No. 2, from pressure bulkhead to indicator, type 9547, at navigator's panel	1	—	7/12
EG9.82.279	. CONNECTOR, No. 2A, from coupling unit, type 9546, to pressure bulkhead	1	—	7/13
R EG9.82.281	. CONNECTOR, No. 3, from control unit, type 7750 to T/B navigator's table, cockpit lighting dimmer switch and pressure bulkhead (Pre Mod 5234)	1	—	7/14
EG9.82.283	. CONNECTOR, No. 3A, from transmitter/receiver, type RT220C, to pressure bulkhead	1	—	7/15
EG9.82.285	. CONNECTOR, No. 4, from transmitter/receiver, type RT220C, to coupling unit, type 9546	1	—	7/16
EG9.82.287	. CONNECTOR, No. 5, from coupling unit, type 9546, to transmitter/receiver and DC distribution box No. 2	1	—	7/17
EG7.82.149	. CONNECTOR, No. 6, from omni aerial, type 100B, transmitter/receiver, type RT220C	1	—	7/18
TYPE 9274	. MOUNTING, transmitter/receiver Attaching parts for TYPE 9274:—	1	—	7/19
A25/14E	. Bolt, 1/4" BSF hex. head	4	—	7/20
SP13/E	. Washer, 1/4" BSF plain	4	—	7/21
WTD143536	. MOUNTING, coupling unit Attaching parts for WTD143536:—	1	—	7/22
A25/7B	. Bolt, 4 BA, hex. head	4	—	7/23
10A4702149	. Washer, check	4	—	7/24
EG9.82.289	. STRIP, bonding	2	Copper	7/25
2Z139599	. WASHER, panel packing	3	—	7/26

RADIO AND RADAR

TACAN (ARI 1807/4)

Part Number	Description	No. Off	Matl. Spec.	Plate No.
-	TACAN IN CENTRE FUSELAGE, ASSEMBLY (EG9.82.39) Spares for:—	-	-	7/27
-	. AERIAL, TACAN, FORWARD OF FRAME 13, LOWER, INSTALLATION (EG7.82.703) Spares for:—	-	-	7/28
R 10B4280400	. . AERIAL, omni, type 100B Attaching parts for 10B/4280400:—	1	-	7/29
AS1242/5C	. . Bolt, 2BA csk head	12	-	7/30
EG7.82.795	. . BLOCK, packing	1	L65	7/31

AP101B-0418-3A

 RADIO AND RADAR
 U.H.F. (A.R.I.23143/1)
 AND V.H.F. (A.R.I.23057)

Part Number	Description	No. Off	Matl. Spec.	Plate No.
-	U.H.F./V.H.F. AND STANDBY, ASSEMBLY (EG9.82.17) Spares for:-	-	-	8/1
UG27-CU	. ADAPTER, elbow	7	-	8/2
-	. EXTENSION TO SCHRADER VALVE ON PTR.175 TRANSMITTER/RECEIVER (EG9.82.607) Spares for:-	-	-	8/3
AS3180/8/B	. . CLIP, 'P' support Attaching parts for AS3180/8/B:-	7	-	8/4
A25/1B	. . Bolt, 4 BA hex. head	1	-	8/5
AGS2001/B/1	. . Nut, stiff, 4 BA	1	-	8/6
SP13/B	. . Washer, 4 BA plain	1	-	8/7
EG9.82.609	. . HOSE, ASSEMBLY Spares for:-	1	-	8/8
EB3.82.547	. . . ADAPTER, assembly	1	-	8/9
SCHRADER No.880	. . . CAP, valve	1	-	8/10
AGS606/C	. . . CLIP, hose (Pre-Alt. R60/91-Mod. 5102)	2	-	8/11
or SP144-013	. . . CLIP, hose (Alt. R60/91-Mod. 5102)	2	-	
EG9.82.611	. . . HOSE, rubber, 15/32" o/d x 3/16" i/d or 7/16" o/d x 7/32" i/d x 80" long	1	DTD625A Type 1 or DTD329D	8/12
EB.3.82.553	. . . SHANK, valve	1	-	8/13
FLIGHT REFUELLING 6310550	. TONE-GENERATOR	1	-	8/14
10D9711781	. TRANSMITTER/RECEIVER, PTR.175	1	-	8/15
-	U.H.F./V.H.F. IN FRONT FUSELAGE, ASSEMBLY (EG9.82.37) Spares for:-	-	-	8/16
WARD BROOKE WB/UN/1146/ D/10W	. BLOCK, terminal Attaching parts for 5CZ/7124:-	1	-	8/17
WARD BROOKE WB/NY/1110/ B10	. Cover	1	-	8/18
WARD BROOKE WB/1114/28	. Pillar, fixing	2	-	8/19
-	. BLOCK, TERMINAL, AND U.H.F. TEST SOCKET, INSTALLATION (EG9.82.595) Spares for:-	-	-	9/1
R 703-2-00244	. . BLOCK, terminal	1	-	9/2
R 703-1-00265	. . COVER, terminal block	1	-	9/3
Z50210	. . LINK, commoning	1	-	9/4

RADIO AND RADAR
U.H.F. (A.R.I.23143/1)
AND V.H.F. (A.R.I.23057)

Part Number	Description	No. Off	Mati. Spec.	Plate No.
EG5.82.227	. . PANEL, assembly Attaching parts for EG5.82.227:—	1	—	9/5
AS1246/1C	. . Bolt, 2 BA round head	7	—	9/6
EG9.82.597	. . PILLAR, fixing	1	S96	9/7
EG9.82.599	. . PILLAR, fixing	1	S96	9/8
M.A.M. RUBBER CO.	. . Sleeve, 3 m/m i/d x 3/8" long, pink, grade CXH	10	—	9/9
—	. BONDING OF REDUNDANT V.H.F. AERIALS (EG7.82.2379) Spares for:—	—	—	
EG7.82.2381	. . BRACKET, connector Attaching parts for EG7.82.2381:—	2	BSS265	
4101/8/ 1/2	. . Screw, self tapping, round head	2	—	
—	. . COVER, code R.F.C.E., Cat. No. DC.239	2	—	
EG7.82.2359	. . LEAD, bonding, assembly	2	—	
10H4306905	. . SOCKET, type 684	2	—	
EC4.82.563	. . WASHER, bonding	2	—	
EA6.82.73	. . WASHER	2	—	
10AD9326361	. BOX, interconnecting Attaching parts for 10AD/9326361:—	1	—	8/20
A25/1B	. Bolt, 4 BA hex. head	4	—	8/21
EG9.82.481	. CONNECTOR, U/V 1, from pressure bulkhead to interconnecting box	1	—	8/22
EG9.82.483	. CONNECTOR, U/V 1A, from control unit, type 1607/4 to pressure bulkhead	1	—	8/23
EG9.82.485	. CONNECTOR, U/V 3, from interconnecting box to PTR.175 transmitter/receiver	1	—	8/24
EG9.82.637	. CONNECTOR, U/V 4, from radio junction box to tone generator and pressure bulkhead	1	—	8/25
EG9.82.487	. CONNECTOR, U/V 4G, from pressure bulkhead to interconnecting box	1	—	8/26
EG9.82.489	. CONNECTOR, U/V 5, from pressure bulkhead to standby U.H.F. transmitter/receiver test socket terminal block	1	—	8/27
EG9.82.493	. CONNECTOR, U/V 5A, from JB.7684 to pressure bulkhead	1	—	8/28
EG9.82.491	. CONNECTOR, U/V 6, from test socket terminal board to stand-by U.H.F. transmitter/receiver	1	—	8/29
EG9.82.495	. CONNECTOR, U/V 8, from pressure bulkhead to interconnecting box, battery, stand-by transmitter/receiver, 20-way terminal block, upper equipment bay, and test socket terminal block	1	—	8/30
EG9.82.497	. CONNECTOR, U/V 9, from interconnecting box to muting bias unit	1	—	8/31
EG9.82.499	. CONNECTOR, U/V 10, between aerial magnetic relay switches	1	—	8/32
EG9.82.503	. CONNECTOR, U/V 12, from magnetic relay switch, No. 2, to lower U.H.F. aerial, frame 12-13	1	—	8/33
EG9.82.513	. CONNECTOR, U/V 8A	1	—	8/53

AP 101B-0418-3A

 RADIO AND RADAR
 U.H.F. (A.R.I.23143/1)
 AND V.H.F. (A.R.I.23057)

Part Number	Description	No. Off	Matl. Spec.	Plate No.
EG.8.82.505	CONNECTOR, U/V 13, from magnetic relay switch No.1 to PTR. 175 transmitter/receiver	1	-	8/34
EG9.82.509	CONNECTOR, U/V 15, from stand-by transmitter/receiver to magnetic relay switch No.2	1	-	8/35
EG9.82.515	CONNECTOR, U/V 18, from test socket to test socket terminal block	1	-	8/36
EG9.82.537	CONNECTOR, U/V 19, from battery terminal to earth block E31	1	-	8/37
EG9.82.539	CONNECTOR, U/V 20, from stand-by transmitter/receiver test socket terminal block to earth point E31	1	-	8/38
EG9.82.541	CONNECTOR, U/V 21, from 20-way terminal block, upper equipment bay to earth point E31	1	-	8/39
EG9.82.569	CONNECTOR, U/V 22, from No.2 distribution box to test socket terminal block, frame 12A	1	-	8/40
WARD BROOKE WB/1146/72	LINK, 2-way	1	-	8/41
R EEAS551/20	PLATE, ident (SAS4746)	1	-	8/52
-	RESISTOR-UNIT, FRAME 5, INSTALLATION (EG9.82.579) Spares for:-	-	-	9/10
EG5.82.317	COVER Attaching parts for EG5.82.317:-	1	L44	9/11
A25/1B	Bolt, 4 BA hex. head	4	-	9/12
SP13/B	Washer, 4 BA plain	4	-	9/13
EG9.82.519	RESISTOR-UNIT, ASSEMBLY Consisting of:-	1	-	9/14
EG4.82.131	BASE-PLATE, assembly	1	L44	9/15
R 703-1-00238	BLOCK, terminal Attaching parts for 703-1-00238:-	1	-	9/16
A25/8B	Bolt, 4 BA hex. head	2	-	9/17
AGS2002/B/1	Nut, stiff, 4 BA	2	-	9/18
SP13/B	Washer, 4 BA plain	2	-	9/19
R UNITERSIL 20 BRITISH ELECTRIC TYPE VS/K3	CABLE, unitersil 20	QR	-	9/20
BRITISH ELECTRIC CL.18 AGS2002/C/1	RESISTOR, 0.68 ohm, patt. RW.41-L Attaching parts for TYPE VS/K3:-	1	-	9/21
	Clip	2	-	9/22
	Nut, stiff, 2 BA	2	-	9/23
EEAS146/20 M.A.M. RUBBER CO. GRADE CXH HC490 HC292	SLEEVE, 3/4" long	4	-	9/24
	SLEEVE, rubber, 3 m/m i/d x 3/8" long, pink	5	-	9/25
	TAG, quick release	2	-	9/26
	TAG, ring tongue	2	-	9/27
	Attaching parts for EG9.82.519:-			
A31/C24	Screw, 2 BA cheese head	2	-	9/28
SP13/C	Washer, 2 BA plain	2	-	9/29
R TYPE 1741	RELAY, aerial Attaching parts for Type 1741:-	2	-	8/42
R A25/9B	Bolt, 4 BA	2	-	8/43

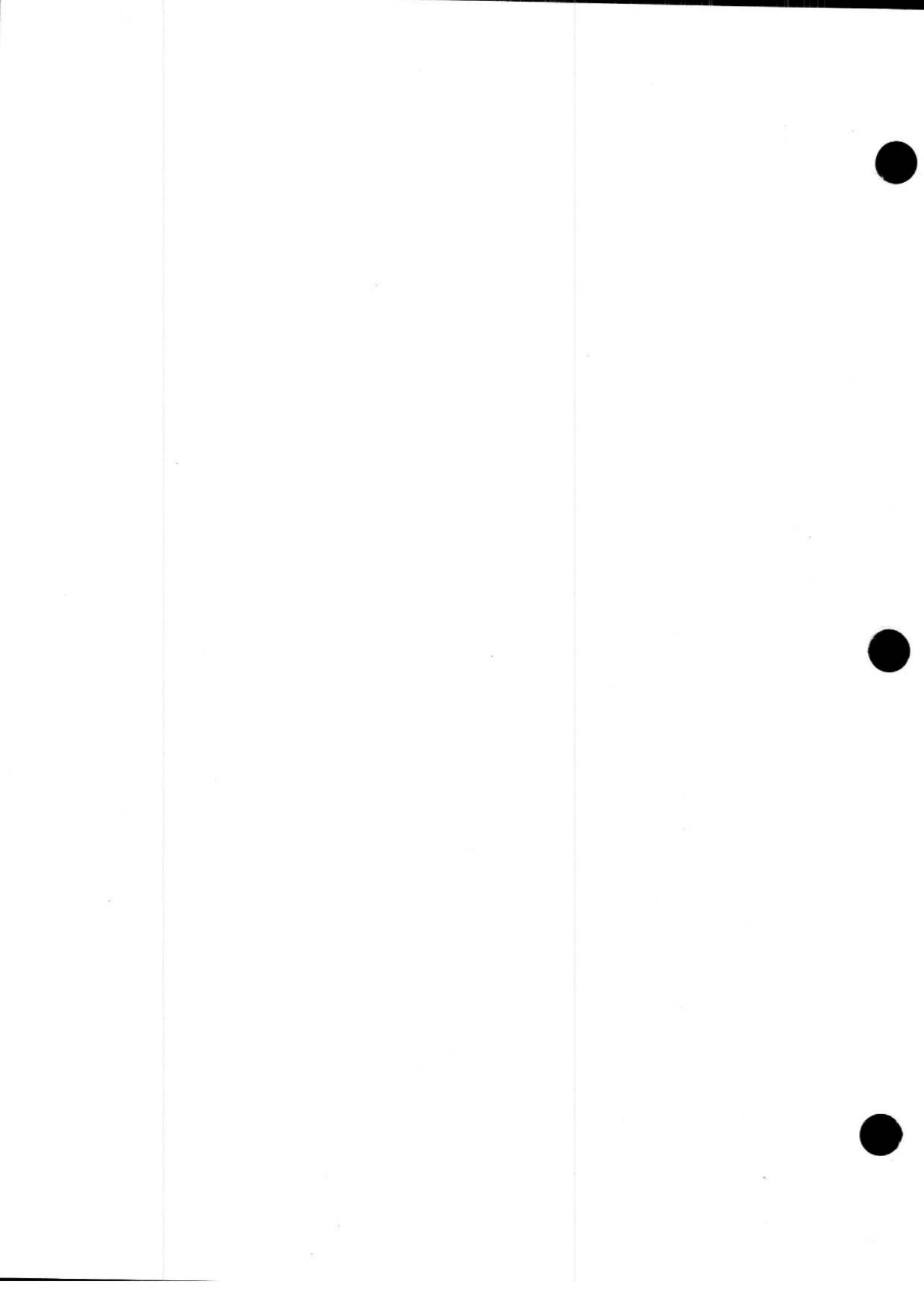
RADIO AND RADAR
U.H.F. (A.R.I.23143/1)
AND V.H.F. (A.R.I.23057)

Part Number	Description	No. Off	Mati. Spec.	Plate No.
R R GRADE CXH EEAS146-20-3/4	. SLEEVE, 3 mm i/d x 3/8" long, pink (SAS4746) . SLEEVE (SAS4746)	QR QR	- -	
WARD BROOKE WB/1114/22	. SPACER, terminal	1	-	8/44
R HC490	. TAG, QR (SAS4746)	2	-	
-	. TRANSMITTER/RECEIVER, STAND-BY, INSTALLATION (EG9.82.527) Spares for:-	-	-	9/30
TYPE D170	. . FILTER, radio interference (Pre-Mod. 5281)	1	-	9/31
TYPE 1031	. . MOUNTING, transmitter/receiver Attaching parts for type 1031:-	1	-	9/32
A25/7B	. . Bolt, 4 BA hex. head	4	-	9/33
AGS2001/B/1	. . Nut, stiff, 4 BA	4	-	9/34
SP13/B	. . Washer, 4 BA plain	4	-	9/35
EG5.82.121	. . TRAY, mounting	1	L72	9/36
TYPE M6	. . TRANSMITTER/RECEIVER, stand-by (Pre-Mod. 5281)	1	-	9/37
TYPE M6	. . TRANSMITTER/RECEIVER, stand-by (Mod. 5281) S.O.O. to 9 aircraft, Serial numbers WE122, WK123, WK126, WK142, WH887, WJ574, WJ614, WJ636 and WJ717	1	-	
TYPE MT.1477	. TRAY, mounting, transmitter/receiver Attaching parts for type MT.1447:-	1	-	8/45
A25/1C	. Bolt, 2 BA hex. head	16	-	8/46
SP13/C	. Washer, 2 BA plain	4	-	8/47
R CP195566	. UNIT, control, receiver, muting bias	1	-	8/48
ZZ139599	. WASHER, panel packing	1	-	8/49
-	U.H.F./V.H.F. IN CENTRE FUSELAGE, ASSEMBLY (EG9.82.51) Spares for:-	-	-	10/1
-	. AERIAL, U.H.F. UPPER, BETWEEN FRAMES 29 AND 30, INSTALLATION (EB6.82.611) Spares for:-	-	-	10/2
R EDC18136	. . AERIAL, U.H.F., type A. 100 (Pre-Mod. 5049)	1	-	10/3
R CHELTON AERIALS TYPE 16-1	. . AERIAL, U.H.F. (Mod. 5049) Attaching parts for EDC18136 or TYPE 16-1	1	-	
AS1242/3C	. . Bolt, 2 BA c'sk head	2	-	10/4
AS1242/4C	. . Bolt, 2 BA c'sk head	6	-	10/5
EB6.82.1417	. . PLATE, aerial mounting	1	L72	10/6
-	. AERIAL, U.H.F. LOWER, BETWEEN FRAMES 12 AND 13 INSTALLATION (EG7.82.701) Spares for:-	-	-	10/7
R EDC18136	. . AERIAL, U.H.F., type A.100 (Pre Mod. 5049)	1	-	10/8
R CHELTON AERIALS TYPE 16-1	. . AERIAL, U.H.F. (Mod. 5049) Attaching parts for EDC18136 or TYPE 16-1	1	-	
AS1242/3C	. . Bolt, 2 BA c'sk head	8	-	10/9

AP 101B-0418-3A

RADIO AND RADAR
 U.H.F. (A.R.I.23143/2)
 AND V.H.F. (A.R.I.23057)

Part Number	Description	No. Off	Matl. Spec.	Plate No.
—	. AERIAL, WHIP, PTR.175, IN PORT BOMB DOOR, FUSELAGE, FRAME 22, INSTALLATION (EG5.82.259) Spares for:—	—	—	10/10
5895-99-951-3781 or 5895-99-951-1603	. . AERIAL, whip	1	—	10/11
A31/C16	Attaching parts for 5895-99-951-3781:— . . Screw, 2 BA cheese head	4	—	10/12
TYPE 123 EG9.82.501	. . GROMMET . . CONNECTOR, U/V 11, from aerial relay No. 1 to U.H.F. upper aerial, frame 29-30	1 1	— —	10/13 8/50
EG9.82.507	. . CONNECTOR, U/V 14, from PTR.175 transmitter/receiver to v.h.f. aerial in port bomb door (Pre Mod 5234)	1	—	8/51
—	. FAIRLEAD, FRAME 29, INSTALLATION (EG9.82.589) Spares for:—	—	—	10/14
EG9.82.591	. . FAIRLEAD, assembly	1	BS2572 F3	10/15
A25/2B AGS2001/B/1	Attaching parts for EG9.82.591:— . . Bolt, 4 BA hex. head . . Nut, stiff, 4 BA	4 4	— —	10/16 10/17



AP 101B-0418-3A

RADIO AND RADAR
V.O.R./I.L.S. (A.R.I.23118)

Part Number	Description	No. Off	Matl. Spec.	Plate No.
-	V.O.R./I.L.S. (A.R.I.23118), ASSEMBLY (EG9.82.13) Spares for:-	-	-	11/1
-	. ALTS TO VOR/ILS INSTALLATION (EG9.82.847) (Mod 5234) Royal Navy aircraft only Spares for:-	-	-	
EG9.82.823	. . CABLE, assembly, VOR/ILS 7 (Mod 5234)	1	-	11/21
EJB21B	. BOX, backplate junction, type M7 (Pre Mod 5251)	1	-	11/2
EJB21B1	. BOX, interconnecting, type M7A (Mod 5251)	1	-	
EJB21C	. BOX, marker backplate junction type M38	1	-	11/3
W104058	. RECEIVER, "GLIDESLOPE", type 6404M (Pre Mod 5251)	1	-	11/4
W10458-ED-BISS5	. RECEIVER, "GLIDESLOPE", type 6404ME (Mod 5251)	1	-	
W104057	. RECEIVER, "MARKER" type 6403M	1	-	11/5
W104055	. RECEIVER, "V.H.F.", type 6401M	1	-	11/6
10W/0135710	. RESISTOR, 33 ohm, patt. R02-B	3	-	11/7
10W/0135473	. RESISTOR, 200 ohm, patt. R03-D	1	-	11/8
10W/0128476	. RESISTOR, 240 ohm, patt. R03-D	1	-	11/9
10W/0135490	. RESISTOR, 1.K ohm, patt. R03-D (Royal Air Force aircraft)	2	-	11/10
A30-2534-01	. UNIT, control, type 7430M	1	-	11/11
W104056-1A	. UNIT, navigation, type 6402MA	1	-	11/12
-	V.O.R./I.L.S. IN FRONT FUSELAGE ASSEMBLY (EG9.82.33) Spares for:-	-	-	11/13
-	. ALTS to GA of VOR/ILS (EG9.82.805) (Mod 5233) Royal Navy aircraft only Spares for:-	-	-	
EG9.82.907	. . CABLE, assembly, VOR/ILS 3 Spares for:-	1	-	11/17A
Uninyvin 20	. . . CABLE	QR	-	
PAT.R03D 510 OHMS	. . RESISTOR	2	-	
or 510OHMS	. . RESISTOR	-	-	
UNINYVIN 20	. CABLE, uninyvin 20	QR	-	11/14
EG9.82.455	. CONNECTOR, V.O.R./I.L.S.1, from interconnection junction box to pilot's omni bearing selector, and radio junction box, navigator's station	1	-	11/15
EG9.82.457	. CONNECTOR, V.O.R./I.L.S.2, from interconnection junction box to G4B master indicator and V.O.R./I.L.S. 2C, tails	1	-	11/16
EG9.82.459	. CONNECTOR, V.O.R./I.L.S.3, from radio junction box to navigator's radio magnetic indicator and radio compass indicator (Royal Air Force aircraft only)	1	-	11/17
EG9.82.461	. CONNECTOR, V.O.R./I.L.S.4, from radio junction box and V.O.R./I L.S.4D tails, to pilot's radio magnetic indicator	1	-	11/18
EG9.82.529	. CONNECTOR, V.O.R./I.L.S.5, from interconnection junction box to navigation control unit, type 7430M, and V.O.R./I.L.S. voice range selector switch panel plug break	1	-	11/19
EG9.82.531	. CONNECTOR, V.O.R./I.L.S.6, from interconnection junction box to V.O.R./I L.S. voice range selector switch panel plug break and TEL'S T/B at navigator's table	1	-	11/20
EG9.82.533	. CONNECTOR, V.O.R./I.L.S.7, for interconnection junction box to TEL'S T/B at navigator's table (Pre Mod 5234)	1	-	11/21

RADIO AND RADAR

AP101B-0418-3A

V.O.R./I.L.S. (A.R.I.23118)

Part Number	Description	No. Off	Matl. Spec.	Plate No.
EG9.82.535	. CONNECTOR, V.O.R./I.L.S.8, from interconnection junction box to pilot's flying panel T/B break and navigator's control panel T/B break	1	—	11/22
EG9.82.613	. CONNECTOR, V.O.R./I.L.S.9, from interconnection junction box to pressure bulkhead	1	—	11/23
EG9.82.615	. CONNECTOR, V.O.R./I.L.S.10, from marker junction box to pressure bulkhead	1	—	11/24
EG9.82.617	. CONNECTOR, V.O.R./I.L.S.11, from interconnection junction box to pressure bulkhead	1	—	11/25
EG9.82.453 or EG9.82.777	. CONNECTOR, V.O.R./I.L.S.12, from voice range switch to voice range switch plug break	1	—	11/26
EEAS270	. SCREW, 5BA	2	Brass	11/27
EEAS566	. SLEEVE, special	1	M.A.M. Rubber	11/28
HC295	. TAG, ring tongue	2	—	11/29
—	V.O.R./I.L.S. IN CENTRE FUSELAGE ASSEMBLY (EG9.82.47) Spares for:—	—	—	12/1
EG7.82.895	. CONNECTOR, V.O.R./I.L.S. 11A, from pressure bulkhead to frame 29 bulkhead	1	—	12/2
EG7.82.899	. CONNECTOR, V.O.R./I.L.S. 10A, from pressure bulkhead to marker aerial, starboard wing	1	—	12/3
EG7.82.900	. CONNECTOR, V.O.R./I.L.S.9A, from pressure bulkhead to starboard wing root	1	—	12/4
—	. PLUG, I.L.S. CO-AXIAL, BULKHEAD, FRAME 29, INSTALLATION (EG9.82.551) Consisting of:—	—	—	12/5
EC2.82.2041	. . PLATE, adaptor, assembly Attaching parts for EC2.82.2041:—	1	—	12/6
AGS2001/B/1	. . Nut, stiff, 4BA	4	—	12/7
A31/B16	. . Screw, 4BA, cheese head	4	—	12/8
TYPE 757	. . PLUG, bulkhead	1	—	12/9

A.P.101B-041B-3A

Page MF3

RADIO AND RADAR
V.O.R./I.L.S. (A.R.I.23118)

Ref. No.	Part No.	Description	No. off	Matl. Spec.	Cl. of Equip. M.R. L.M.	Fig. and Index
	—	V.O.R./I.L.S. IN REAR FUSELAGE AND TAIL UNIT, ASSEMBLY (E.G9.82.65) Spares for:—	—	—	—	12/10
	—	AERIAL, V.O.R./I.L.S. IN FIN, INSTALLATION (E.G7.82.707) Spares for:—	—	—	—	12/11
10B/9570378	TYPE M24	AERIAL, "localiser" Attaching parts for Type M.24:—	2	—	C	12/12
28DU/9480272	A173/4D	Bolt; 10 UNF c'sk head	12	—	C	12/13
28DU/9480273	A173/5D	Bolt; 10 UNF c'sk head	8	—	C	12/14
26DK/4716	NATIONAL PLASTICS X.114	EXTRUSION, P.V.C. section	QR	—	C	12/15
42984	E.G7.82.809	FAIRLEAD, assembly Attaching parts for E.G7.82.809:—	1	—	C	12/16
28D/1008149	A25/2B	Bolt; 4 BA hex. head	4	—	C	12/17
R 10AD/1078789	133-LRU-14A	UNIT, balance Attaching parts for 10D/1078789:—	1	—	A	12/18
28D/1010658	A25/1B	Bolt; 4 BA hex. head	4	—	C	12/19
R 10HB/2220288	E.G9.82.619	CONNECTOR, V.O.R./I.L.S.11B, from frame 29 bulkhead plug, to balance unit in fin	1	—	B	12/20
10HB/9557210	E.G7.82.897	CONNECTOR, V.O.R./I.L.S.11C, from balance unit to localiser aerial in fin	2	—	B	12/21
	—	FITTINGS, AERIAL ATTACHMENT ON FIN, INSTALLATION (E.C3.82.67) Consisting of:—	—	—	—	
40216	E.C3.82.71	BAR, toggle	1	—	C	
28D/9133011	A25/2C	BOLT, 2 BA hex. head	2	—	C	
40215	E.C3.82.69	EYE-BOLT	1	—	C	
40219	E.C3.82.77	NUT, special	1	—	C	
28M/5808573	A27/CS	NUT, 2 BA slotted	2	—	C	
40220	E.C3.82.79	PIN	1	—	C	
28P/9486478	SP.90/C5	PIN, split	2	—	C	
28P/9560928	SP.90/E8	PIN, split	1	—	C	
40221	E.C3.82.81	PLATE, adaptor	2	—	C	
40217	E.C3.82.73	WASHER	1	—	C	
40218	E.C3.82.75	WASHER	1	—	C	
28W/9419475	SP.15/C	WASHER, 2 BA plain	2	—	C	
	—	V.O.R./I.L.S. IN STARBOARD WING, ASSEMBLY (E.G9.82.67) Spares for:—	—	—	—	12/22
	—	AERIAL, I.L.S. MARKER, INNER WING LEADING EDGE, INSTALLATION (E.A3.82.5329) Spares for:—	—	—	—	12/23
R 10B/4697308	TYPE 237	AERIAL, I.L.S. marker Attaching parts for type 237:—	1	—	A	12/24
28D/1214297	AS.1242/1/2B	Bolt; 4 BA c'sk head	4	—	C	12/25
	—	AERIAL, GLIDE PATH, OUTER WING RIBS 6B AND 7A, INSTALLATION (E.A3.82.5331) Spares for:—	—	—	—	12/26
R 10B/4709699	TYPE 238	AERIAL, glide path Attaching parts for type 238:—	1	—	A	12/27
28D/9133011	A25/2C	Bolt; 2 BA hex. head	10	—	C	12/28
28W/9419475	SP.15/C	Washer, 2 BA plain	10	—	C	12/29

RADIO AND RADAR
V.O.R./I.L.S. (A.R.I.23118)

Ref. No.	Part No.	Description	No. off	Matl. Spec.	Cl. of Equip. M.R. L.M.	Fig. and Index
28S/9148382	A45/A6	SCREW, 6 BA c'sk head	2	—	C	12/30
10HB/9557228	E.G7.82.901	CONNECTOR, V.O.R./I.L.S.15, from starboard wing root to I.L.S. plug break inner wing rib 6	1	—	B	12/31
10HB/9557229	E.G7.82.902	CONNECTOR, V.O.R./I.L.S.16, from inner wing rib 6 plug break, to outer wing rib 2, plug break	1	—	B	12/32
10HB/9557230	E.G7.82.903	CONNECTOR, V.O.R./I.L.S.17, from outer wing rib 2 to glide path aerial, type 238	1	—	B	12/33
	—	WIRING, AT BREAK ON OUTER WING RIB 2, ASSEMBLY (E.G9.82.477) Spares for:—	—	—	—	12/34
R 10AD/0540019	TYPE 757	PLUG, bulkhead	1	—	B	12/35
	—	WIRING, AT BREAK ON INNER WING RIB 6, ASSEMBLY (E.A3.82.5312) Spares for:—	—	—	—	12/36
R 10AD/0540019	TYPE 757	PLUG, bulkhead	1	—	B	12/37

AP101B-0418-3A

RADIO AND RADAR
ZERO READER INSTALLATION

Part Number	Description	No. Off	Matl. Spec.	Plate No.
—	ZERO READER, ASSEMBLY (EG9.80.9)	—	—	13/1
	Spares for:-			
R Q16609-0	. BACKPLATE	1	—	13/2
R A31/B16	. Attaching parts for Q16609-0:-	6	—	13/3
R 17751-0	. Screw, 4 BA cheese head	1	—	13/4
EG9.81.53	. BOX, junction type 'B'	1	—	13/5
R 16-2-4C	. CABLE, ASSEMBLY WHITE FROM J.B. ZERO READER FLIGHT DIRECTOR TO 400 CYCLE FUSE BOX, GROUP	1	—	
	Consisting of:-			
R 508/1/07776/003	. . CABLE, miniature 4C	QR 2	—	
508/2/07705/200	. . CLAMP, cable	1	—	
508/2/07719/200	. . GASKET, outlet	2	—	
R 508/1/07621/003	. . GASKET, union	1	—	
508/2/07752/007	. . OUTLET, straight	2	—	
Z49040	. . RING, thrust	2	—	
EEAS146/22	. . RING, compression	2	—	
EEAS146/6	. . SLEEVE, 3/4" long	QR	—	
R 508-1-40002-320	. . SLEEVE, 1" way	QR	—	
HC490	. . SOCKET, 4-way Mk. 4	1	—	
	. . TAG, quick-release	4	—	
EG9.81.55	. CABLE, ASSEMBLY WHITE FROM ZERO READER COMPUTER TO 400 CYCLE FUSE BOX, GROUP	1	—	13/6
	Consisting of:-			
R 16-2-4B	. . CABLE, miniature 4C	QR 1	—	
508/1/07776/003	. . CLAMP, cable	1	—	
or				
508/1/07776/001	. . CLAMP, cable	1	—	
730603	. . COVER, assembly	1	—	
508/1/07719/200	. . GASKET, union	1	—	
or				
R 508/2/07719/300	. . GASKET, union	1	—	
WTC117001	. . OUTLET, cable	1	—	
508/2/07746/007	. . RING, compression	1	—	
508/2/07708/200	. . RING, thrust	1	—	
508/2/07752/007	. . RING, thrust	1	—	
EEAS146/EQ	. . SLEEVE, 1/2" long	QR	—	
EEAS146/EQ	. . SLEEVE, 3/4" long	QR	—	
EEAS146/6	. . SLEEVE, 1-1/2" long	QR	—	
734490	. . SOCKET, free 4-way	1	—	
HC490	. . TAG, quick release	4	—	
EG9.81.65	. CABLE ASSEMBLY GREY FROM COMPUTER ZERO READER FLIGHT DIRECTOR TO RADIO J.B. GROUP	1	—	13/7
	Consisting of:-			
R 16-2-12C	. . CABLE, miniature 12C	QR	—	
508/1/07778/001	. . CLAMP, cable	2	—	
508/1/07779/001	. . CLAMP, cable	1	—	

RADIO AND RADAR

AP101B-0418-3A

ZERO READER INSTALLATION

Part Number	Description	No. Off	Matl. Spec.	Plate No.	
					1
PYE 730609	. . COVER, assembly	1	-		
508/2/07706/300	. . GASKET, outlet	1	-		
508/2/07720/300	. . GASKET, union	2	-		
508/2/07722/300	. . GASKET, union	1	-		
508/2/07643/001	. . OUTLET, straight	1	-		
WTB117003	. . OUTLET, cable	1	-		
508/2/07748/009	. . RING, compression	1	-		
508/2/07709/300	. . RING, sealing	1	-		
508/2/07756/007	. . RING, thrust	2	-		
508/2/07757/007	. . RING, thrust	1	-		
EEAS146/EQ	. . SLEEVE, 1/2" long	QR	-		
EEAS146/2	. . SLEEVE, 1-1/4" long	QR	-		
HT75-1/2"	. . SLEEVE, helsyn, 150 white, 1/2" long	2	-		
PYE 734492	. . SOCKET, assembly	1	-		
508-1-40009-320 or 508/1/07009/220	. . SOCKET, free, 12 way, Mk. 4	1	-		
	. . SOCKET, free, 12 way, Mk. 7	1	-		
EG9.81.869	. CABLE, ASSEMBLY, SALMON PINK, FROM INDICATOR ZERO READER FLIGHT DIRECTOR TO ZERO READER FLIGHT DIRECTOR JUNCTION BOX, GROUP Consisting of:-	1	-	13/8	
16-2-6C	. . CABLE, miniature, 6C	QR	-		
508/1/07776/001	. . CLAMP, cable	2	-		
508/2/07705/300	. . GASKET, outlet	2	-		
508/2/07719/300	. . GASKET, union	2	-		
508/2/07639/001	. . OUTLET, straight	2	-		
508/1/07023/221	. . PLUG, free, 6 way	1	-		
508/2/07746/007	. . RING, compression	1	-		
508/2/07708/300	. . RING, sealing	1	-		
508/2/07752/007	. . RING, thrust	2	-		
EEAS146/EQ	. . SLEEVE, 1/2" long	QR	-		
EEAS146/2	. . SLEEVE, 1-1/2" long	QR	-		
508/1/07003/220	. . SOCKET, free, 6 way	1	-		
EG9.81.871	. CABLE, ASSEMBLY, LEMON, FROM COURSE SELECTOR, ZERO READER FLIGHT DIRECTOR TO COMPUTER, GROUP Consisting of:-	1	-	13/9	
PW3200-7	. . CABLE, miniature, 6C	QR	-		
508/1/07776-001 or 508/1/07776/003	. . CLAMP, cable	1	-		
	. . CLAMP, cable	1	-		
PYE 730606	. . COVER, assembly	1	-		
508/2/07705/300	. . GASKET, outlet	1	-		
508/2/07719/200 or 508/2/07719/300	. . GASKET, union	1	-		
WTB117002	. . OUTLET, cable	1	-		
508/2/07639/001	. . OUTLET, straight	1	-		

AP101B-0418-3A

RADIO AND RADAR

ZERO READER INSTALLATION

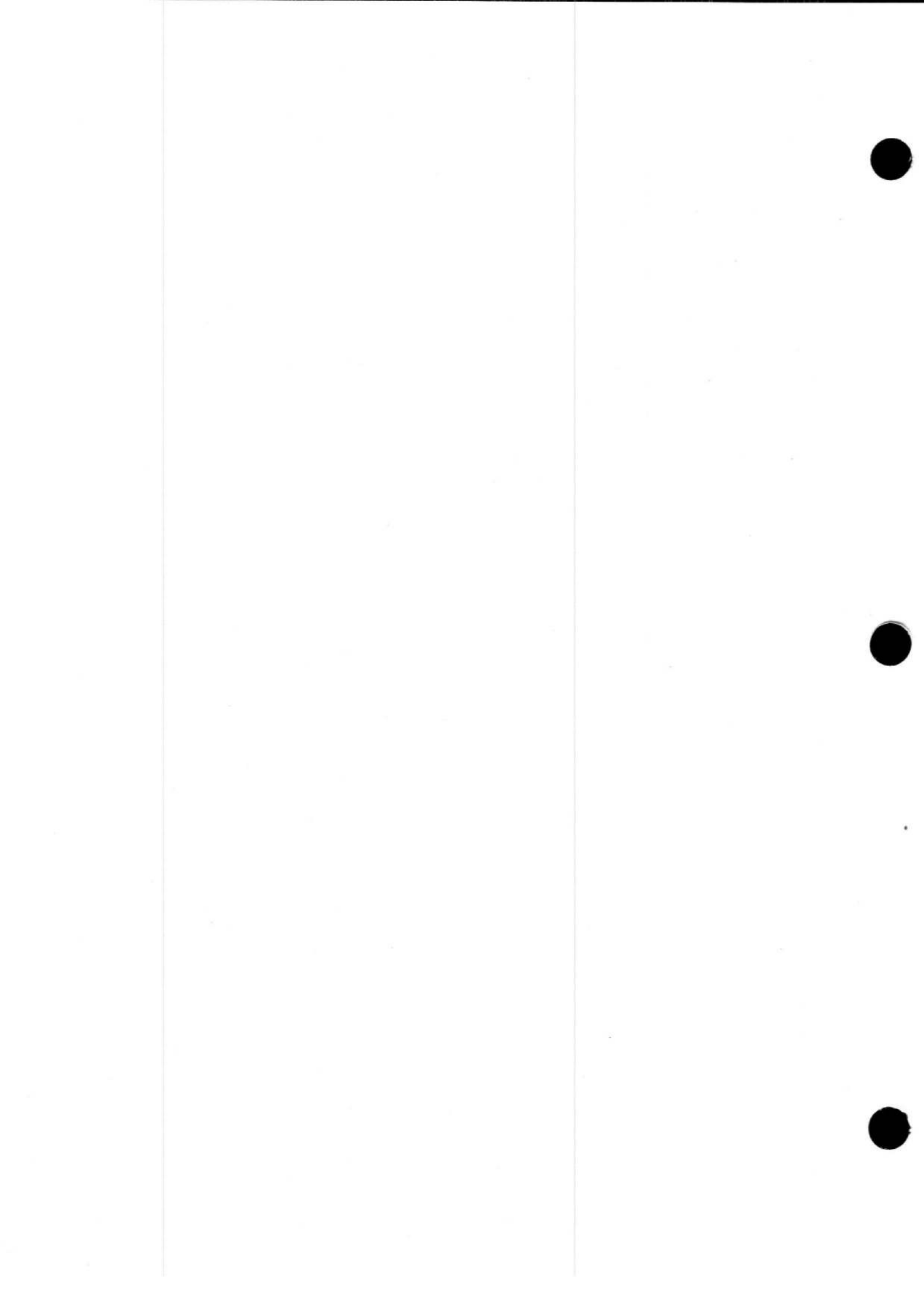
Part Number	Description	No. Off	Mati. Spec.	Plate No.
508/2/07708/200	. . RING, sealing	1	-	
Z49037	. . RING, thrust	1	-	
or				
508/2/07752/007	. . RING, thrust	1	-	
508/2/07746/009	. . RING, compression	1	-	
EEAS146/EQ	. . SLEEVE, 1/2" long	QR	-	
EEAS146/2	. . SLEEVE, 1.1/4" long	QR	-	
PYE	. . SOCKET, 8 pole	1	-	
734491				
508/1/07003/221	. . SOCKET, free, 6-way	1	-	
EG9.81.873	. CABLE, ASSEMBLY, AZURE BLUE, FROM ZERO READER COMPUTOR TO GM COMPASS Mk. 4B, GROUP Consisting of:—	1	-	13/10
5E1116728	. . CABLE, miniature 4C	QR	-	
508/1/07776/003	. . CLAMP, cable	1	-	
or				
508/1/07776/001	. . CLAMP, cable	1	-	
PYE 730603	. . COVER, assembly	1	-	
508/2/07705/300	. . GASKET, outlet	1	-	
508/2/07719/200	. . GASKET, union	1	-	
or				
508/2/07719/300	. . GASKET, union	1	-	
10H4309111	. . OUTLET, cable	1	-	
508/2/07639/001	. . OUTLET, straight	1	-	
508/1/07022/220	. . PLUG, free, 4-way	1	-	
508/2/07746/009	. . RING, compression	1	-	
508/2/07708/200	. . RING, sealing	1	-	
Z49037	. . RING, thrust	1	-	
or				
508/2/07752/007	. . RING, thrust	1	-	
EEAS146/EQ	. . SLEEVE, 1/2" long	QR	-	
EEAS146/6	. . SLEEVE, 1.1/2" long	QR	-	
734490	. . SOCKET, 4 pole	1	-	
EG9.81.875	. CABLE, ASSEMBLY, BROWN, FROM ZERO READER COMPUTOR TO CONTROL PANEL, GROUP Consisting of:—	1	-	13/11
5E1116758	. . CABLE, miniature 25C	QR	-	
508/1/07780/003	. . CLAMP, cable	1	-	
or				
508/1/07780/001	. . CLAMP, cable	1	-	
730615	. . COVER, assembly	1	-	
508/2/07707/300	. . GASKET, union	1	-	
508/2/07724/200	. . GASKET, union	1	-	
or				
508/2/07724/300	. . GASKET, union	1	-	
508/2/07654/001	. . OUTLET, angle	1	-	
10H/4309115	. . OUTLET, cable	1	-	
508/2/07750/009	. . RING, compression	1	-	
508/2/07713/200	. . RING, sealing	1	-	
508/2/07758/007	. . RING, thrust	1	-	

RADIO AND RADAR
ZERO READER INSTALLATION

Part Number	Description	No. Off	Matl. Spec.	Plate No.	
					1
HT100	. . . SLEEVE, helsyn, 150 white, 1/2" long	QR	-		
EEAS146/EQ	. . . SLEEVE, 1/2" long	QR	-		
EEAS146/00	. . . SLEEVE, 1.1/2" long	QR	-		
PYE	. . . SOCKET, free, 20-way	1	-		
734494					
508/1/07016/220	. . . SOCKET, free, 25-way	1	-		
EG9.81.877	. CABLE, ASSEMBLY, ORANGE, FROM ZERO READER JUNCTION BOX TO ZERO READER COMPUTOR, GROUP Consisting of:—	1	-	13/12	
R 5E1116745	. . . CABLE, miniature 12C	QR	-		
508/1/07778/003	. . . CLAMP, cable	1	-		
508/1/07779/001	. . . CLAMP, cable	1	-		
730609	. . . COVER, assembly	1	-		
508/2/07720/200	. . . GASKET, union	1	-		
508/2/07722/300	. . . GASKET, union	1	-		
508/2/07706/300	. . . GASKET, outlet	1	-		
R 10H4309113	. . . OUTLET, cable	1	-		
508/2/07643/001	. . . OUTLET, straight	1	-		
508/2/07749/009	. . . RING, compression	1	-		
Z62231	. . . RING, sealing	1	-		
R 508-2-07757-007	. . . RING, thrust	1	-		
508/2/07757/007	. . . RING, thrust	1	-		
EEAS146/EQ	. . . SLEEVE, 1/2" long	QR	-		
EEAS146/2	. . . SLEEVE, 1.1/4" long	QR	-		
734492	. . . SOCKET, free, 12-way	1	-		
508/1/07009/220	. . . SOCKET, free, 12-way	1	-		
19618-0	. COMPUTOR, zero reader, type B Spares for:—	1	-	13/13	
R 19619-0	. . . POWER, pack, type B	1	-	13/14	
SK8232/316	. . . RELAY, sensitive	-	-	13/15	
-	. COMPUTOR, FLIGHT FITTINGS, ASSEMBLY (EB6.80.619) Consisting of:—	-	-	13/16	
EB6.80.647	. . . ANGLE, forward	1	L72	13/17	
A25/1B	. . . BOLT, 4BA hex head	56	-	13/18	
A25/1C	. . . BOLT, 2BA hex head	16	-	13/19	
EB6.80.649	. . . DIAPHRAGM, LH	1	L72	13/20	
EB6.80.650	. . . DIAPHRAGM, RH	1	L72	13/21	
AGS2001/B/1	. . . NUT, stiff, 4BA	56	-	13/22	
AGS2001/C/1	. . . NUT, stiff, 2BA	16	-	13/23	
EB6.80.761	. . . PIECE, packing	2	L72	13/24	
EB6.80.653	. . . PLATE, mounting, assembly	1	L72	13/25	
AGS2050/419BH	. . . RIVET	7	-	13/26	
SP13/B	. . . WASHER, 4BA plain	56	-	13/27	
SP13/C	. . . WASHER, 2BA plain	16	-	13/28	
-	. MOUNTING, BOX JUNCTION FOR FLIGHT INSTRUMENT, ASSEMBLY (EB6.80.637) Spares for:—	-	-	13/29	
EB6.80.639	. . . ANGLE, mounting, assembly	1	-	13/30	
A25/1B	. . . Bolt, 4BA hex head	3	-	13/31	

RADIO AND RADAR
ZERO READER INSTALLATION

Ref. No.	Part No.	Description	No. off	Matl. Spec.	Cl. of Equip. M.R. L.M.	Fig. and Index
16412	E.B6.80.643	PLATE, mounting, assembly Attaching parts for E.B6.80.643:—	1	—	C	13/32
28D/1010658	A25/1B	Bolt, 4 BA hex. head	6	—	C	13/33
28M/1278189	AGS.2001/B/1	Nut, stiff, 4 BA	6	—	C	13/34
28W/9419465	SP.13/B	Washer, 4 BA plain	6	—	C	13/35
32534	E.B6.80.633	MOUNTING, COMPUTER, FLIGHT Consisting of:—	1	—	A	13/36
R 6A/4338903	SPERRY SK.9054-8	ABSORBER, shock, mounting	4	—	B	13/37
5K/7001266	AS.3360/C.3.C	BONDING, flexible	1	—	C	13/38
10AS/	MARCONI RID.1004-A	LOCK, device	2	—	C	13/39
	E.B6.80.635	MEMBER, horizontal (Made from Marconi part RID.101-1, Ref. 9)	2	—	—	13/40
	MARCONI RID.1012-2 Ref.15	MEMBER, side, L.H.	1	—	—	13/41
	MARCONI RID.1012-1 Ref.15	MEMBER, side, R.H.	1	—	—	13/42
28M/9433473	AGS.2002/C/1	NUT, stiff, 2 BA	16	—	C	13/43
28S/9437020	A31/C12	SCREW, 2 BA cheesehead	8	—	C	13/44
28S/1200053	A33/C16	SCREW, 2 BA c'sk head	8	—	C	13/45
39486	AS.2810/4/02	TUBE, distance	4	—	C	13/46
	MARCONI RID.1012-3	WASHER, domed	8	—	—	13/47



AP101B-0418-3A

RADAR ALTIMETER

Part Number	Description	No. Off	Mati. Spec.	Plate No.
R -	G.A. OF RADAR ALTIMETER ARI.23232/7 (EG9.82.781) (MOD 5233) Royal Navy aircraft only Spares for:—	-	-	
R -	. G.A. OF RADAR ALTIMETER IN FRONT FUSELAGE (EG9.82.783) Spares for:—	-	-	
R EG9.82.793	. . CABLE, assembly, RA3 Spares for:—	1	-	
R Uniminyvin 20	. . . CABLE	QR	-	
R EEAS146-20- ³ / ₄ "	. . . SLEEVE	QR	-	
R EEAS146-6- ¹ / ₂ "	. . . SLEEVE	QR	-	
R EEAS146-6- ³ / ₄ "	. . . SLEEVE	QR	-	
R EEAS146-12- ¹ / ₂ "	. . . SLEEVE	QR	-	
R EEAS146-12- ³ / ₄ "	. . . SLEEVE	QR	-	
R EEAS146-6-1"	. . . SLEEVE	QR	-	
R HT30- ¹ / ₂ "	. . . SLEEVE, Helsyn, White 150	3	-	
R HT50- ¹ / ₂ "	. . . SLEEVE, Helsyn, White 150	1	-	
R HC294	. . . TAG, RT	12	-	
R EG9.82.795	. . CABLE, assembly, RA4 Spares for:—	1	-	
R Uniminyvin 20	. . . CABLE	QR	-	
R Uninyvinmetsheath 20	. . . CABLE	QR	-	
R 466-18-325-059	. . . PLUG, free, 32 way	1	-	
R 419206	. . . PLUG, filler, red	21	-	
R EEAS146-20- ³ / ₄ "	. . . SLEEVE	QR	-	
R EEAS146-2-1"	. . . SLEEVE	QR	-	
R EEAS146-12- ³ / ₄ "	. . . SLEEVE	QR	-	
R EEAS146-2- ¹ / ₂ "	. . . SLEEVE	QR	-	
R EEAS146-2-1 ¹ / ₄ "	. . . SLEEVE	QR	-	
R EEAS146-12- ¹ / ₂ "	. . . SLEEVE	QR	-	
R EEAS146-20- ¹ / ₄ "	. . . SLEEVE	QR	-	
R EEAS146-00-1"	. . . SLEEVE	QR	-	
R EEAS146-00- ³ / ₄ "	. . . SLEEVE	QR	-	
R HT100- ¹ / ₂ "	. . . SLEEVE, Helsyn, White 150	2	-	
R HT30- ¹ / ₂ "	. . . SLEEVE, Helsyn, White 150	2	-	
R D142-51	. . . SLEEVE, solder	2	-	
R HC294	. . . TAG, RT	13	-	
R SCL- ¹ / ₈ "	. . . TUBE, thermoshrink, brown	QR	-	
R EG9.82.789	. . CABLE, assembly, RA1 Spares for:—	1	-	
R Uniminyvin 20	. . . CABLE	QR	-	
R Uninyvinmetsheath 20	. . . CABLE	QR	-	
R 323796	. . . CONNECTOR	2	-	
R 466-14-19S-059	. . . PLUG, 19 way	1	-	
R 466-10-6P-059	. . . PLUG, 6 way	1	-	
R 419206	. . . PLUG, filler, red	12	-	

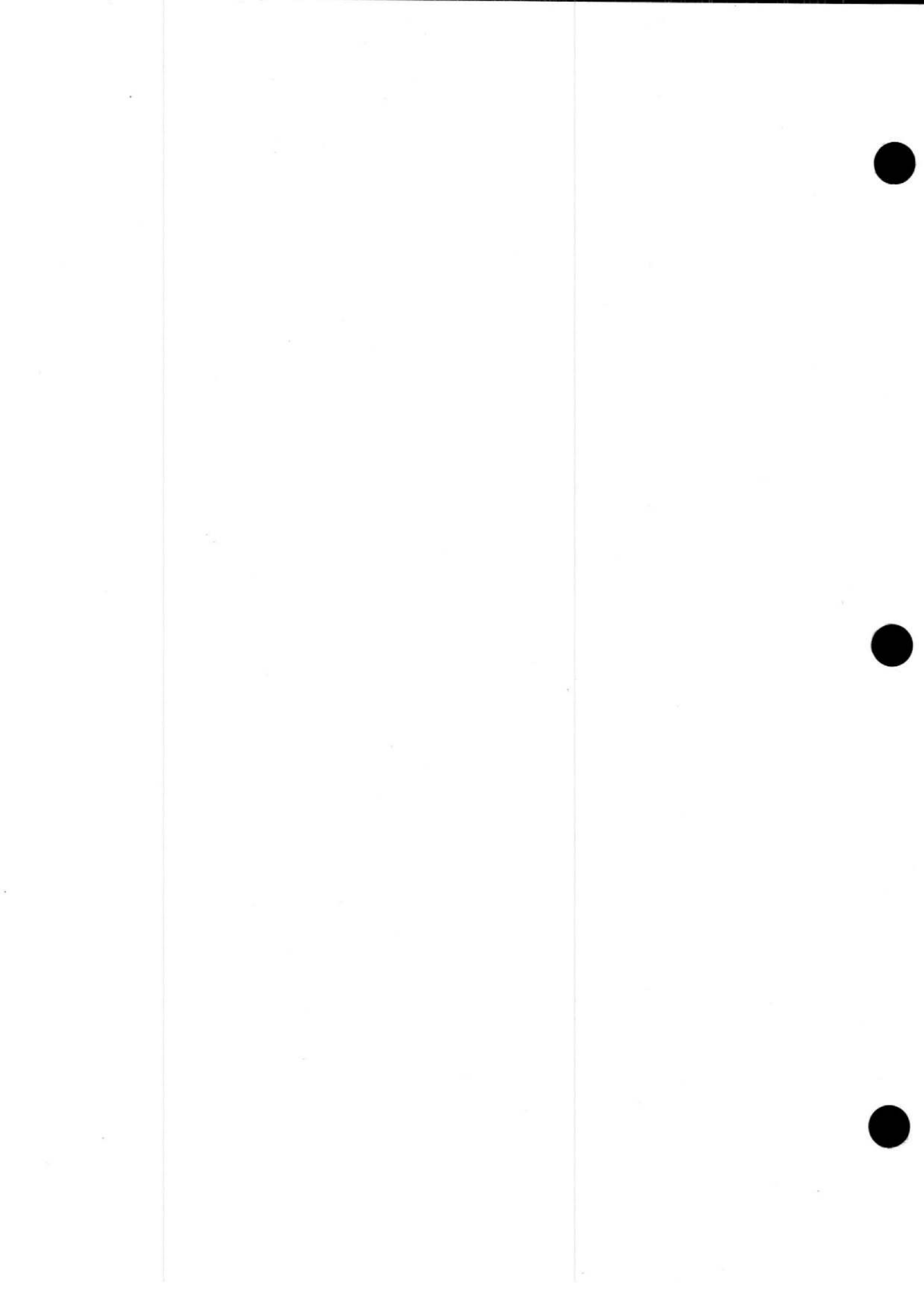
RADAR ALTIMETER

Part Number	Description						No. Off	Matl. Spec.	Plate No.
	1	2	3	4	5	6			
R	EEAS146-00-1"	.	.	.	SLEEVE		QR	-	
R	EEAS146-20-3/4"	.	.	.	SLEEVE		QR	-	
R	EEAS146-00-1 1/2"	.	.	.	SLEEVE		QR	-	
R	EEAS146-20-1/4"	.	.	.	SLEEVE		QR	-	
R	HT100-1/2"	.	.	.	SLEEVE, Helsyn, White 150		2	-	
R	HT15-1/2"	.	.	.	SLEEVE, Helsyn, White 150		1	-	
R	D142-51	.	.	.	SLEEVE, solder		2	-	
R	HC294	.	.	.	TAG, RT		13	-	
R	LKOX-HSB	.	.	.	TIE, cable		QR	-	
R	SCL-1/8"	.	.	.	TUBE, thermoshrink, brown		QR	-	
R	EG9.82.801	.	.	CABLE, assembly, RA7			1	-	
				Spares for:-					
R	Uniminyvin 20	.	.	CABLE			QR	-	
R	Uninyvinmetsheath 20	.	.	CABLE			QR	-	
R	419206	.	.	PLUG, filler, red			21	-	
R	466-18-325-059	.	.	PLUG, free, 32 way			1	-	
R	EEAS146-20-1/4"	.	.	SLEEVE			QR	-	
R	EEAS146-00-1"	.	.	SLEEVE			QR	-	
R	EEAS146-00-1 1/2"	.	.	SLEEVE			QR	-	
R	EEAS146-00-3/4"	.	.	SLEEVE			QR	-	
R	HT100-1/2"	.	.	SLEEVE, Helsyn, White 150			1	-	
R	EEAS146-20-3/4"	.	.	SLEEVE			QR	-	
R	D142-51	.	.	SLEEVE, solder			2	-	
R	HC294	.	.	TAG, RT			13	-	
R	SCL-1/8"	.	.	TUBE, thermoshrink, brown			QR	-	
R	-	.	.	G.A. OF RADAR ALTIMETER IN CENTRE			-	-	
				FUSELAGE (EG9.82.785)					
				Spares for:-					
R	EG9.82.791	.	.	CABLE, assembly, RA2			1	-	
				Spares for:-					
R	Uniminyvin 20	.	.	CABLE			QR	-	
R	Uninyvinmetsheath 20	.	.	CABLE			QR	-	
R	EEAS559/3	.	.	CLIP, bonding			1	-	
R	323796	.	.	CONNECTOR			2	-	
R	508-1-03068-203	.	.	PLUG			1	-	
R	466-14-19P-059	.	.	PLUG, free, 19 way			1	-	
R	466-16-26S-059	.	.	PLUG, free, 26 way			1	-	
R	419206	.	.	PLUG, filler, red			23	-	
R	EEAS146-00-1"	.	.	SLEEVE			QR	-	
R	EEAS146-00-1 1/2"	.	.	SLEEVE			QR	-	
R	EEAS146-2-1"	.	.	SLEEVE			QR	-	
R	EEAS146-2-1 1/2"	.	.	SLEEVE			QR	-	
R	EEAS146-6-3/4"	.	.	SLEEVE			QR	-	
R	EEAS146-6-1/2"	.	.	SLEEVE			QR	-	
R	EEAS146-20-1/4"	.	.	SLEEVE			QR	-	
R	EEAS146-20-1/2"	.	.	SLEEVE			QR	-	
R	HT50-1/2"	.	.	SLEEVE, Helsyn, White 150			1	-	
R	HT100-1/2"	.	.	SLEEVE, Helsyn, White 150			2	-	
R	LKO/HS(NAT)	.	.	TIE, cable			QR	-	
R	SCL-1/8"	.	.	TUBE, thermoshrink, brown			QR	-	
R	SCL-1/4"	.	.	TUBE, thermoshrink, brown			QR	-	

AP101B-0418-3A

RADAR ALTIMETER

Part Number	Description	No. Off	Matl. Spec.	Plate No.
R -	. G.A. OF RADAR ALTIMETER IN REAR FUSELAGE (EG9.82.787) Spares for:—	—	—	
R LG81A1	. . AERIAL	2	—	
R A173/3C	. . BOLT, 8-32 UNC, 100 ⁰ CSK	24	—	
R EG9.82.797	. . CABLE, assembly, RA5 Spares for:—	1	—	
R T3298	. . . CABLE, coax, RG214U	QR	—	
R 94375-301-T1800D	. . . PLUG, TNC-50 OHMS	2	—	
R EEAS146-2-1"	. . . SLEEVE	QR	—	
R EEAS146-2-1 ¹ / ₄ "	. . . SLEEVE	QR	—	
R HT100-1 ¹ / ₂ "	. . . SLEEVE, Helsyn, White 150	2	—	
R EG9.82.799	. . CABLE, assembly, RA6 Spares for:—	1	—	
R T3298	. . . CABLE, coax, RG214U	QR	—	
R 94375-301-T1800D	. . . PLUG, TNC-50 OHMS	2	—	
R EEAS146-2-1 ¹ / ₄ "	. . . SLEEVE	QR	—	
R EEAS146-2-1"	. . . SLEEVE	QR	—	
R HT100-1 ¹ / ₂ "	. . . SLEEVE, Helsyn, White 150	2	—	

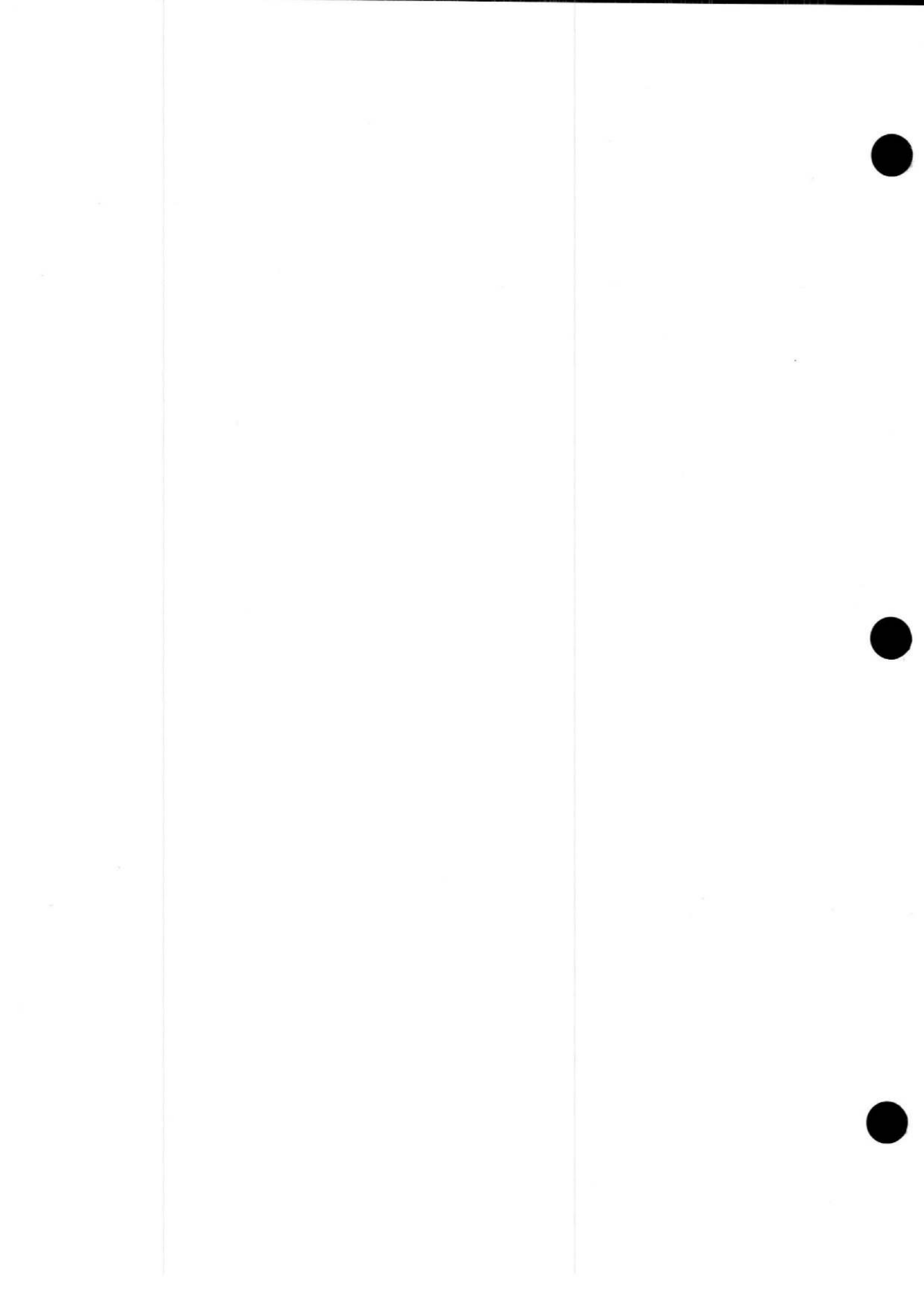


AP101B-0418-3A

RADIO

COAXIAL RESISTOR INSTALLATION

Part Number	Description	No. Off	Matl. Spec.	Plate No.
R EG9.82.989	COAXIAL RESISTOR INSTALLATION (Mod 5451) S.O.O. to aircraft embodying Mod 5234, TT Mk. 18 aircraft of the Royal Navy Spares for:—	—	—	
EA4.82.5391	. CABLE, assembly Spares for:—	1	—	14/1
UNIRADIO 67	. . CABLE, Uniradio 67	QR	—	14/2
2CZ139373	. . PLUG, UKN 2	2	—	14/3
EEAS146/2	. . SLEEVE	QR	—	14/4
EA4.82.5381	. CLAMP, support, assembly Spares for:—	2	—	14/5
EA4.82.5383	. . BRACKET, support	1	—	14/6
EA4.82.5385	. . PLATE, clamp assembly Spares for:—	1	—	14/7
AGS2007/A/1	. . . NUT, anchor, 6BA	2	—	14/8
EA4.82.5387	. . . PLATE, clamp Attaching parts for EA4.82.5385:—	1	—	14/9
A25/1A	. . Bolt, 6BA	2	—	14/10
SP13/A	. . Washer, 6BA	2	—	14/11
A25/1B	. Bolt, 4BA	2	—	14/12
AGS2001/B/1	. Nut, 4BA	2	—	14/13
SP13/B	. Washer, 4BA	2	—	14/14
EA4.82.5389	. LABEL	1	—	14/15
TYPE 8080	. RESISTOR, coaxial (Type 8080 with female type N-QC connector)	1	—	14/16



RADIO AND RADAR

AD 120

	Part Number	Description 1 2 3 4 5 6	No. Off	Matl. Spec.	Plate No.
R	—	G A OF AD 120 (EG9.82.807) (Mod 5234) Royal Navy Aircraft only Spares for:—	—	—	
R	—	. G A OF AD 120 IN FRONT FUSELAGE (EG9.82.835) Spares for:—	—	—	
	—	. . ALTS to WIRING OF MIC/TEL TERMINAL BLOCKS (EG9.82.811) Spares for:—	—	—	
R	UNIMINYVIN 20	. . . CABLE	QR	—	
R	WB1146-77	. . . LINK, 7-way	1	—	
R	TR6	. . . RESISTOR	1	—	
R	G198-1-1-7	. . . SLEEVE	QR	—	
R	HWB1114-22	. . . SPACER	2	—	
R	HC294	. . . TAG, RT	2	—	
R	323219	. . . TAG, stratotherm	2	—	
R	EG9.82.819	. . CABLE, assembly, VHF 1	1	—	
R	EG9.82.821	. . CABLE, assembly, VHF 2	1	—	
R	EG9.82.827	. . CABLE, assembly, VHF 3 Spares for:—	1	—	
R	6145-99-7491412	. . . CABLE, URM 43	QR	—	
R	31GB226-2	. . . PLUG	1	—	
R	—	. . INSTALLATION OF MIC AMPLIFIER (EG9.82.863) Spares for:—	—	—	18/1
R	AA15208-1	. . . AMPLIFIER Attaching parts for AA15208-1:—	1	—	18/2
R	A25-4C	. . . Bolt, 2 BA	2	—	18/3
R	AGS2001C1-66	. . . Nut, stiff, 2 BA	2	—	18/4
R	SP124D	. . . Washer	2	—	18/5
R	AGS2097C3C	. . . LEAD, bonding Attaching parts for AGS2097C3C:—	1	—	18/6
R	A25-1C	. . . Bolt, 2 BA	1	—	18/7
R	AGS2001C1-66	. . . Nut, stiff, 2 BA	1	—	18/8
R	SP124D	. . . Washer	1	—	18/9
R	EG9.82.867	. . . PAD, stress	2	L151.14SWG	18/10
R	EG9.82.865	. . . TRAY, mounting, assembly Spares for:—	1	—	18/11
R	EG9.82.903 PACKER	1	L151.12SWG	18/12
R	EG9.82.905 PACKER	1	L151.12SWG	18/13
R	EG9.82.869 TRAY, mounting Attaching parts for EG9.82.865:—	1	L151.18SWG	18/14
R	AGS2001C1-66	. . . Nut, stiff, 2 BA	4	—	18/15
R	AS1242C3C	. . . Screw, 2 BA	4	—	18/16
R	SP124D	. . . Washer	4	—	18/17

RADIO AND RADAR

AP 101B-0418-3A

AD 120

Part Number	Description	No. Off	Mati. Spec.	Plate No.
R -	. . STRUCTURE, T/R UNIT MOUNTING (EG9.82.829) Spares for:—	—	—	19/1
R A25-1C	. . . BOLT, 2 BA	6	—	19/2
R A25-11C	. . . BOLT, 2 BA	7	—	19/3
R A25-7B	. . . BOLT, 4 BA	4	—	19/4
R EG9.82.853	. . . CHANNEL, forward	1	—	19/5
R EG9.82.855	. . . CHANNEL, aft	1	—	19/6
R AGS2001C1-66	. . . NUT, stiff, 2 BA	5	—	19/7
R AGS2001B1	. . . NUT, stiff, 4 BA	4	—	19/8
R EG9.82.851	. . . TRAY, mounting, assembly Spares for:—	1	—	19/9
R EG9.82.861 BUTTSTRAP	1	—	19/10
R EG9.82.859 MEMBER, "Z"	1	—	19/11
R AGS2009C1 NUT, anchor, 2 BA	6	—	19/12
R EG9.82.857 TRAY, mounting	1	—	19/13
R AS2811-5-093	. . . TUBE, distance	4	—	19/14
R EEAS28-21FR	. . . WASHER	1	—	19/15
R SP13C	. . . WASHER	9	—	19/16
R SP13B	. . . WASHER	4	—	19/17
R AA1201-2	. . TRANSMITTER/RECEIVER	1	—	19/18

Restricted

AL 3

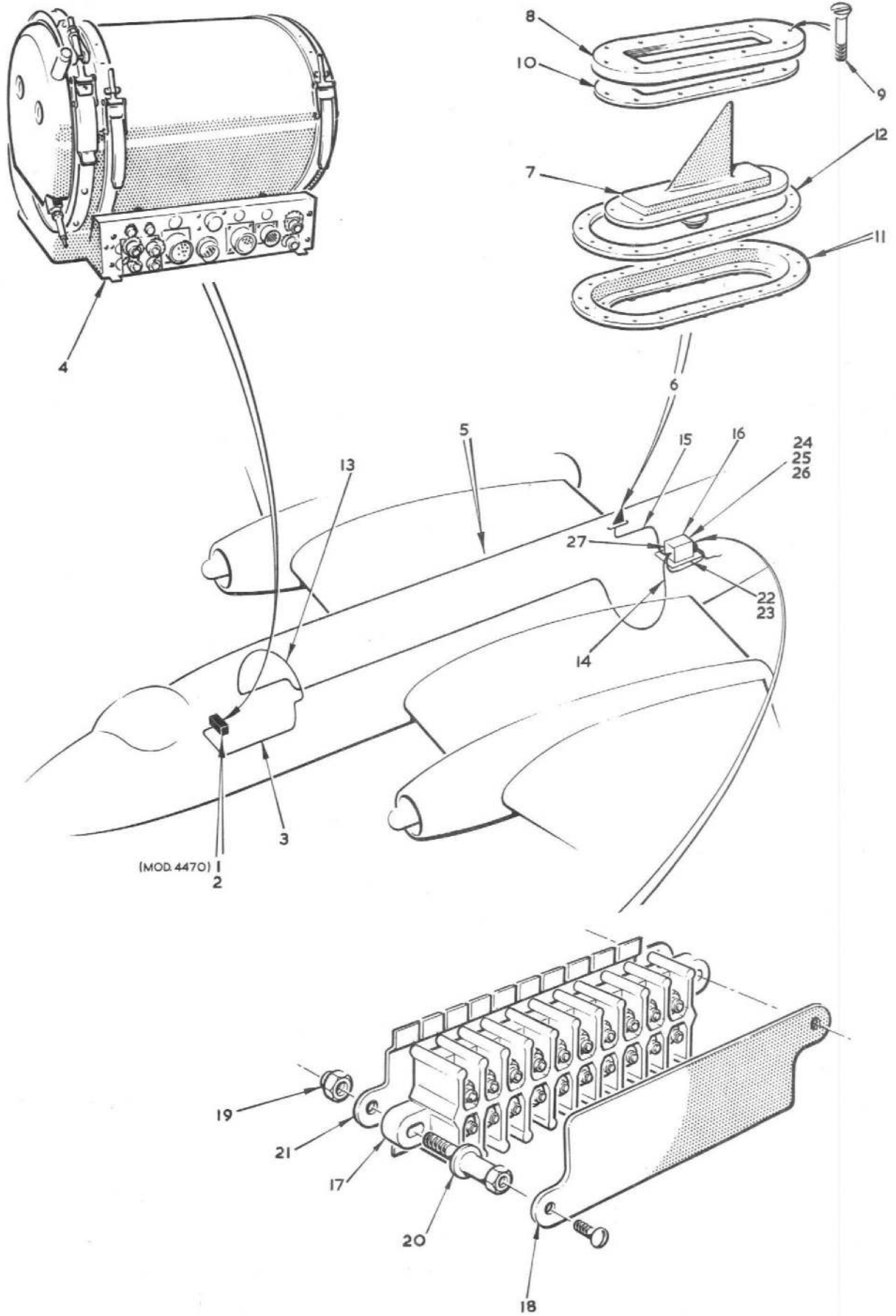


FIG. I. IFF (A.R.I. 23134) INSTALLATION
Restricted



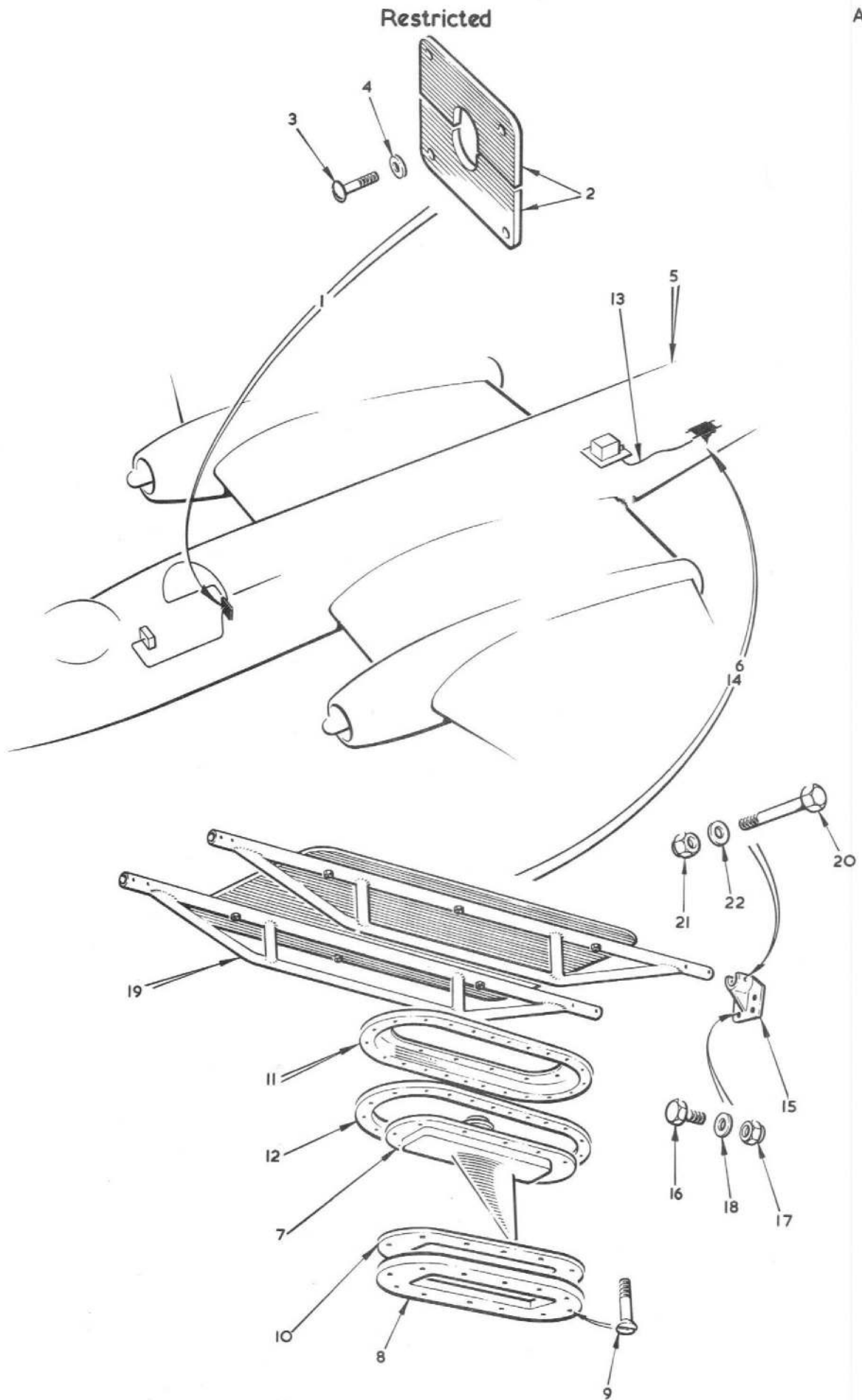


FIG 2 I.F.F. (AR.I. 23134) INSTALLATION
Restricted



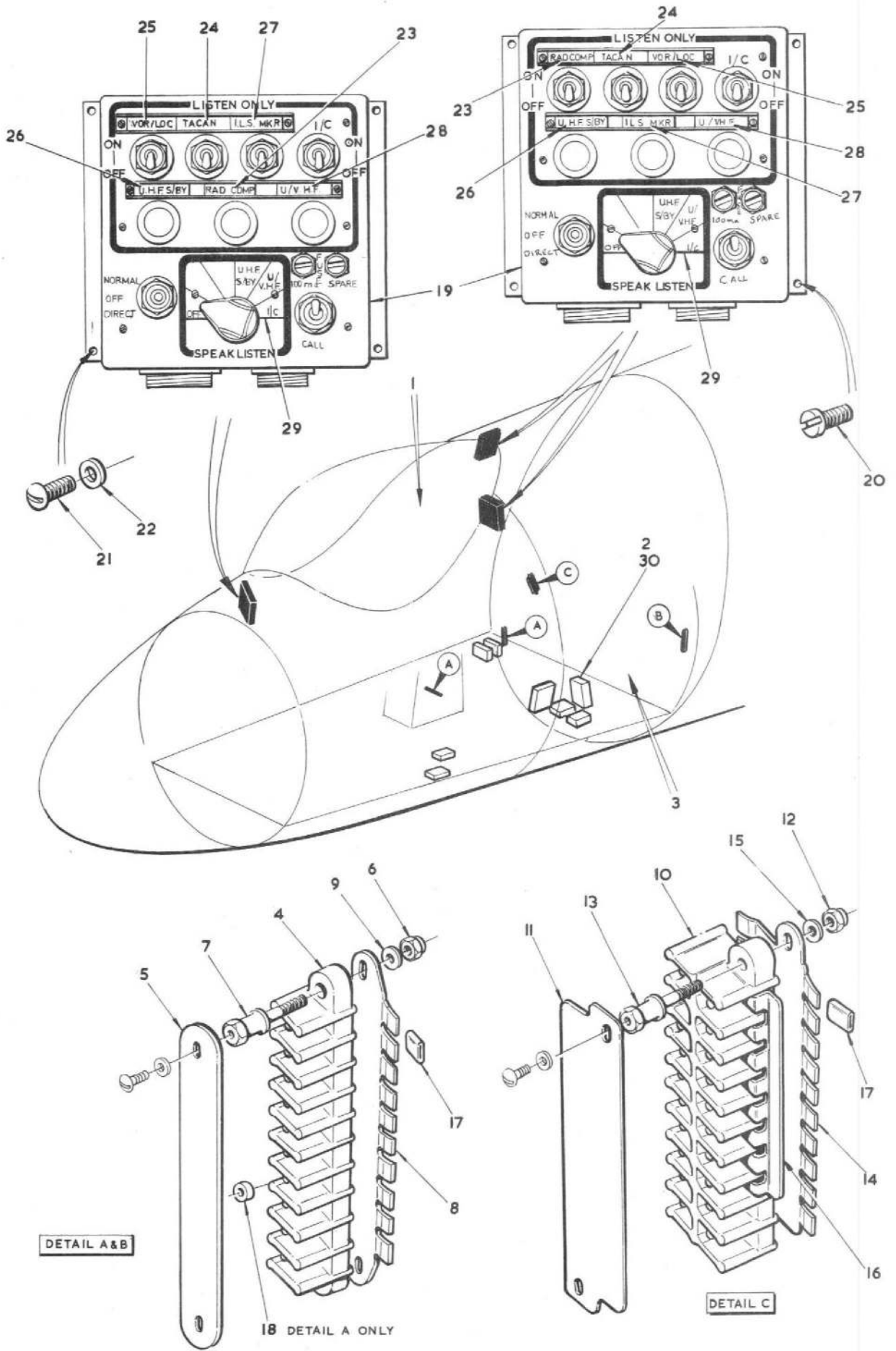


FIG 3 INTERCOMMUNICATION (A.R.I. 18089)
Restricted

This file was downloaded
from the RTFM Library.

Link: www.scottbouch.com/rtfm

Please see site for usage terms,
and more aircraft documents.

