

AP101B-0418-3A

TAIL UNIT - RUDDER C/W TAB

Part Number	Description	No. Off	Matl. Spec.	Plate No.
EA3.33.1	RUDDER, C/W TAB, ASSEMBLY (Pre—Mod 5043)	1	—	1/1
EA3.00.5397	RUDDER, C/W TAB, ASSEMBLY (Spare) (EA3.33.1) (Mod 5043)	1	—	
EA3.00.5489	RUDDER, C/W TAB, ASSEMBLY (Spare) (EA3.33.1) (Mod 5043)	1	—	
	Spares for:—			
EEAS13	. BOLT, special, tab control rod connecting	1	S96	1/2
EA1.31.63	. BOLT, special, tab control connection	1	S96	1/3
EA1.31.65	. BOLT, special, tab control connection	1	S96 or S47	1/4
EA1.33.247	. BOLT, special, trim tab actuator connecting	1	S11	1/5
EA1.33.287	. BOLT, special, nose rib 2, and trailing edge rib 2	2	S65	1/6
EA1.33.283	. BRACKET, TOP HINGE, MOUNTING, GROUP Consisting of:—	1	—	1/7
EA1.33.71	. . BRACKET, rudder hinge, assembly Spares for:—	1	—	1/8
HOFFMANN CA3	. . . BEARING, ballrace	1	—	1/9
EEAS3/J	. . . HOUSING, bearing	1	L65	1/10
EEAS4/18J	. . . WASHER, packing	2	L72	1/11
EA1.33.293	. . BRACKET, top hinge	1	L40	1/12
EA3.33.215	. . CUP, sealing	2	Rubber S/H45-55	1/13
A27/GS	. . NUT, 5/16" BSF slotted	1	—	1/14
EA1.33.281	. . PIN, special hinge	1	S65	1/15
AGS166/3	. . PIN, split	1	—	1/16
EA3.33.213	. . PLATE, locking	1	DTD124A	1/17
4100/8/5/16"	. . SCREW, self tapping type Z	1	—	1/18
SP15J	. . Washer, 3/8" BSF plain	1	—	1/19
	Attaching parts for EA1.33.283:—			
A256E	. Bolt, 1/4" BSF	2	—	
EEAS14	. BUSH, tab control rod special bolt	2	S96	1/20
EA1.33.297	. COWL, rudder tab control rod Attaching parts for EA1.33.297:—	1	DTD213	1/21
AS1248/1/2B	. Bolt, 4BA mushroom head	9	—	1/22
EA1.33.189	. HINGE, TAB, BOTTOM, AT RIB 1, GROUP Consisting of:—	1	—	1/23
SKEFCO CBA2	. . BEARING, ballrace	1	—	1/24
AGS2030/24	. . CIRCLIP, internal	1	—	1/25
EA1.33.189A	. . HOUSING, bearing Attaching parts for EA1.33.189:—	1	L40	1/26
A25/3C	. Bolt, 2BA hex head	3	—	1/27
SP15/C	. Washer, 2BA plain	3	—	1/28
EA3.33.7	. NOSE, RUDDER AND PIVOT POINT, GROUP Spares for:—	1	—	2/1
EA3.33.247	. . ARM, mass balance, assembly	1	—	2/2
RANSOME & MARLES CA1.13/16"	. . BEARING, ballrace	1	—	2/3
EA1.33.125	. . BRACKET, BOTTOM, RUDDER HINGE, ASSEMBLY Spares for:—	1	—	2/4
EA3.33.217	. . . SHROUD, sealing	1	DTD213	2/5

TAIL UNIT - RUDDER C/W TAB

Part Number	Description	No. Off	Matl. Spec.	Plate No.	
					1
EA1.33.815	. . . SPIGOT, rudder bottom bearing Attaching parts for EA1.33.125:—	1	S95	2/6	
A25/2C	. . . Bolt, 2BA hex head	10	—	2/7	
A25/3C	. . . Bolt, 2BA hex head	2	—	2/8	
AGS2002/C/1	. . . Nut, stiff, 2BA	12	—	2/9	
SP16/C	. . . Washer, 2BA plain	12	—	2/10	
EA3.00.259	. . . GEAR, TAB OPERATING, GROUP (EA1.33.215) Spares for:—	1	—	2/11	
RANSOME & MARLES CA.1.1/16"	. . . BEARING, ballrace	2	—	2/12	
EA1.33.231	. . . BRACKET, stop	1	—	2/13	
AGS2031/22	. . . CIRCLIP, external	1	—	2/14	
EA1.33.161	. . . LEVER, assembly Attaching parts for EA1.33.161:—	1	—	2/15	
EA3.33.339	. . . Bolt, special, 1/4" BSF	3	—	2/16	
AGS2002/E/1	. . . Nut, stiff, 1/4" BSF	3	—	2/17	
EA3.33.211	. . . PLATE, sealing	1	L40	2/18	
EA1.33.211	. . . STOP, limit Attaching parts for EA1.33.211:—	1	—	2/19	
A25/7E	. . . Bolt, 1/4" BSF hex head	1	—	2/20	
AGS2001/E/1	. . . Nut, stiff, 1/4" BSF	1	—	2/21	
SP13/E	. . . Washer, 1/4" BSF plain	1	—	2/22	
EA1.33.233	. . . TUBE, distance, for bearings	1	—	2/23	
EA1.33.803	. . . TUBE, TORQUE, OUTER, ASSEMBLY Spares for:—	1	—	2/24	
EA1.33.721	. . . LEVER, assembly Attaching parts for EA1.33.721:—	1	—	2/25	
EA1.33.241	. . . Bolt, special, 1/4" BSF	3	—	2/26	
AGS2002/E/1	. . . Nut, stiff, 1/4" BSF	3	—	2/27	
SP15/E	. . . Washer, 1/4" BSF plain	3	—	2/28	
EA1.33.177	. . . HOUSING, BEARING, FOR RUDDER OPERATING GEAR, AT RIB 6, ASSEMBLY Spares for:—	1	—	3/1	
RANSOME & MARLES CA.1.5/16"	. . . BEARING, ballrace	1	—	3/2	
AGS2031/24	. . . CIRCLIP, external	1	—	3/3	
AGS2030/48	. . . CIRCLIP, internal	1	—	3/4	
EA1.33.123	. . . HOUSING, bearing	1	L40	3/5	
EA1.33.179	. . . LEVER, tab control	1	—	3/6	
EA1.33.205	. . . PLATE, stop Attaching parts for EA1.33.205:—	1	L40	3/7	
AS1246/3C	. . . Bolt, 2BA round head	1	—	3/8	
EA1.33.201	. . . RING, ballrace retaining	1	L64	3/9	
EA1.33.203	. . . TUBE, distance Attaching parts for EA1.33.177:—	1	T4	3/10	
A25/3E	. . . Bolt, 1/4" BSF hex head	4	—	3/11	

TAIL UNIT - RUDDER C/W TAB

Part Number	Description	No. Off	Matl. Spec.	Plate No.
EA1.33.383	. . HOUSING, bearing, tab operating gear, at rib 2 Attaching parts for EA1.33.383:—	1	L40	2/29
A25/3E	. . Bolt, 1/4" BSF hex. head	6	—	2/30
EA1.33.445	. . PANEL, access, L.H. lower hinge bracket Attaching parts for EA1.33.445:—	1	L72	3/12
EEAS1/1C	. . Screw, 2 BA 120° c'sk head	8	S96	3/13
EA1.33.447	. . PANEL, access, R.H. lower hinge bracket Attaching parts for EA1.33.447:—	1	L72	3/14
EEAS1/1C	. . Screw, 2 BA 120° c'sk head	8	S96	3/15
EA1.33.791	. . PANEL, access, upper hinge bracket Attaching parts for EA1.33.791:—	1	L72	3/16
EEAS1/1C	. . Screw, 2 BA 120° c'sk head	10	S96	3/17
EA1.33.452	. . PLUG, sealing, rudder lifting point, assembly	2	—	3/18
EA1.33.503	. . WASHER, saddle, for tab operating gear, rib 6	2	—	3/19
EA1.33.779	. . NUT, special, balance weight clamping	1	MS	3/20
—	. RE-INFORCEMENT OF TRAILING EDGE RIB No. 1 (EA3.33.283) (MOD. 4707) Spares for:—	—	—	
EA3.33.289	. . ANGLE, L.H.	1	L72	
EA3.33.290	. . ANGLE, R.H.	1	L72	
EA3.33.293	. . PACKING	2	L72	
EA3.33.295	. . PACKING, butt strap	2	L72	
EA3.33.285	. . SKIN, insertion, L.H.	1	L72	
EA3.33.286	. . SKIN, insertion, R.H.	1	L72	
EA3.33.287	. . STRAP, butt, L.H.	1	L72	
EA3.33.288	. . STRAP, butt, R.H.	1	L72	
EA3.33.291	. . STRIP, packing	2	L72	
EA1.33.93	. RIB, TRAILING, No. 6, ASSEMBLY Spares for:—	1	—	
EA1.33.187	. . HINGE, tab, centre Attaching parts for EA1.33.187:—	1	—	
A25/2C	. . Bolt, 2 BA hex. head	1	—	
A25/3C	. . Bolt, 2 BA hex. head	2	—	
A27/CP	. . Nut, 2 BA plain	3	—	
SP15/C	. . Washer, 2 BA plain	2	—	
EA3.33.271	. ROD, TAB CONTROL, ASSEMBLY (Pre-Mod. 4930)	1	—	1/29
EA3.33.303	. ROD, TAB CONTROL, ASSEMBLY (Mod.4930) (Pre-Mod.5473)	1	—	
EA3.33.341	. ROD, TAB CONTROL, ASSEMBLY (Mod 5473) Spares for:—	1	—	
EA3.33.269	. . BOLT, special adjusting	1	S95	1/30
A27/GP	. . NUT, 5/16" BSF, plain	1	—	1/31
A27/GPL	. . NUT, 5/16" BSF, plain, L.H.	1	—	1/32
HOFFMANN				
CF2A or CF2	. . ROD, END, ball bearing	1	—	1/33

R
R

R

TAIL UNIT - RUDDER C/W TAB

Part Number	Description	No. Off	Matl. Spec.	Plate No.
R EA3.31.21	. TAB, RUDDER TRIM, ASSEMBLY (Pre-Mod. 5043)	1	-	1/34
R EA3.00.5407	. TAB, RUDDER TRIM, ASSEMBLY (Spare) (EA3.33.21) (Mod. 5043)	1	-	
R EA3.00.5509	. TAB, RUDDER TRIM, ASSEMBLY (Spare) (EA3.33.21) (Mod. 5111) Spares for:-	1	-	
R EA3.31.53	. . ARM, balance weight support	6	L40	1/35
R EA1.45.49	. . BOLT, special	6	S1	1/36
R EA3.33.23	. . BRACKET	1	-	1/37
R EA1.31.61	. . PIN	2	S11	3/21
R EA1.33.249	. WASHER, special	2	L40	2/31
R EEAS28/8GR	. WASHER, special	2	L72	1/38

AP101B-0418-3A

TAIL UNIT - TAILPLANE

AND ELEVATORS

Part Number	Description	No. Off	Matl. Spec.	Plate No.
				1 2 3 4 5 6
—	TAILPLANE AND ELEVATORS, ASSEMBLY (EA1.00.19 or EA3.00.5473) Spares for:—	—	—	
EA3.31.45	. BOLT, special, in port elevator lever operating lever	1	S95	9/1
EEAS13/1	. BOLT, special, 1/4" BSF, hex. head	1	S11	9/2
EA1.30.335	. BUFFER, rubber stop, elevator control	2	S/H45	12/1
EA3.31.47	. BUSH, serrated, for special bolt, port elevator operating lever	2	S95	9/3
EA1.31.1 or	. ELEVATOR, C/W TAB, PORT, GROUP (Pre—Mod 5043) (Pre—Alt. R60/50)	1	—	4/1
EA3.31.5021	. ELEVATOR, C/W TAB, PORT GROUP (Alt. R60/50)	—	—	
EG9.00.233	. ELEVATOR, PORT, ASSEMBLY (Spare) (EA1.31.1) (Mod 5043)	1	—	
EG9.00.249	. ELEVATOR, PORT, ASSEMBLY (Spare) (EA3.31.5021) (Mod 5111) (Pre—Mod 5349)	1	—	
EA3.00.5705	. ELEVATOR, PORT, ASSEMBLY (Spares for EA3.31.5021) (Mod 5349) Spares for:—	1	—	
EA1.31.709	. . BALANCE, MASS ELEVATOR, GROUP Spares for:—	1	—	4/2
EA1.31.713	. . . ARM, balance weight	1	S95	4/3
EA1.31.133	. . . BOLT, special, make-up balance weight	2	MS	4/4
EA1.31.705	. . . PIN, special, locking balance weight to arm	1	S95	4/5
EA1.31.707	. . . PLUG, screwed, end fitting	1	S95	4/6
EA1.31.29	. . . WEIGHT, balance make-up	1	GEC	4/7
EA1.31.711	. . . WEIGHT, balance	1	Heavy Metal GEC	4/8
30A/9606751	. . . WIRE, locking, 22 SWG Attaching parts for EA1.31.709:—	QR	—	4/9
A27/JS	. . Nut, 3/8" BSF, slotted	1	—	4/10
SP90/C7	. . Pin, split	1	—	4/11
EEAS28/34JR	. . Washer	1	L72	4/12
SKEFCO CBA2	. . BEARING, ballrace, elevator tab	1	—	4/13
SKEFCO TTS8-1/2	. . BEARING, ballrace, tab control lever at tab torque, mounting	1	—	8/1
EA1.31.63	. . BOLT, special, bearing tab hinge	1	S11	8/2
EA1.31.157	. . BRACKET, link mounting Attaching parts for EA1.31.157:—	1	L65	4/14
A25/5E	. . Bolt, 1/4" BSF, hex. head	2	—	4/15
A27/EP	. . Nut, 1/4" BSF, plain	2	—	4/16
AGS2031/22	. . CIRCLIP, external, 1-1/16" dia.	1	—	8/3
AGS2030/22	. . CIRCLIP, internal	1	—	4/17
EA1.31.11 or	. . ELEVATOR, PORT, GROUP (Pre—Alt. R60/50)	1	—	4/18
EA3.31.5025	. . ELEVATOR, PORT, GROUP (Alt. R60/50) Spares for:—	—	—	
EA1.31.79	. . . BRACKET, hinge Attaching parts for EA1.31.79:—	3	—	6/1
A25/3C	. . . Bolt, 2BA, hex. head	2	—	6/5
AS1242/3C	. . . Bolt, 2BA, csk. head	1	—	6/4
AGS2001/C1	. . . Nut, stiff, 2BA	3	—	6/6
SP125/D	. . . Washer, 2BA	3	—	6/7

R

TAIL UNIT - TAILPLANE

AP101B-0418-3A

AND ELEVATORS

Part Number	Description	No. Off	Mtl. Spec.	Plate No.
R EA1.31.485 COVER, hand hole between elevator rib and hinge rib	1	L72	6/9
AS1242/1C	Attaching parts for EA1.31.485:- Bolt, 2BA csk. head	8	-	6/10
R EA1.31.7 HORN, ELEVATOR, PORT, GROUP (Pre-Alt. R60/50)	1	-	6/11
or R EA3.31.5033 HORN, ELEVATOR, PORT, GROUP (Alt. R60/50) Spares for:-	-	-	
R EA1.31.51 BRACKET, horn (Pre-Alt. R60/50)	1	DTD300	6/12
or R EA3.31.5009 BRACKET, horn (Alt. R60/50)	1	L92	
EEAS1/2C SCREW, 2BA 120° csk. head	3	S96	6/13
EEAS1/4C SCREW, 2BA 120° csk. head	8	S96	6/14
EEAS1/4 1/2E SCREW, 1/4" BSF 120° csk. head	16	S96	6/15
EA1.31.91 SPIGOT, hinge	1	S96	6/16
EA3.31.25 WEIGHT, ELEVATOR HORN BALANCE, GROUP Consisting of:-	1	-	6/17
EA3.31.29 BOLT, special	1	MS	6/18
EA3.31.27 DISC, balance weight	1	DTD126A	6/19
EA1.31.333 DISC, balance weight	QR	L64	6/20
EA1.31.339 HOUSING, balance weight	1	-	6/21
SP15/J WASHER, 3/8" BSF, plain	QR	-	6/23
SP42/J WASHER, tab, 3/8" BSF	1	-	6/22
EA3.31.39 WEIGHT, mass balance	1	S92	6/24
EA3.31.41 WEIGHT, mass balance	QR	S92	6/25
EA1.31.83 HOUSING, bearing, tab spar Attaching parts for EA1.31.83:-	1	L40	6/26
A27/CT Nut, 2BA, thin	4	-	6/27
EEAS1/2C Screw, 2BA 120° csk. head	4	S96	6/28
SP16/C Washer, 2BA, plain	4	-	6/29
EA1.31.679 MEMBER, trailing edge	1	L72	6/30
EA1.31.325 PACKING, trailing edge	8	Balsa Wood	6/31
EEAS1/2 1/2E SCREW, 1/4" BSF 120° csk. head	6	S96	6/32
EA1.31.15 SPAR, ELEVATOR MAIN, PORT, GROUP	1	-	4/19
or EA3.31.5035	Spares for:-			
R EA1.31.53 BRACKET, hinge, elevator centre (Pre-Alt. R60/72)	1	DTD300	9/4
or R EA3.31.5007 BRACKET, hinge (Alt. R60/72) Attaching parts for EA1.31.53 or EA3.31.5007:-	1	L92	
R A25/4C Bolt, 2BA, hex. head	2	-	9/5
AS1242/5C Bolt, 2BA csk. head	4	-	9/6
A27/CP Nut, 2BA, plain	6	-	9/7
EA9.31.89 Shim	2	Lam.	9/8
EA9.31.91 Shim	2	Alum. Lam. Alum.	9/9
EA1.31.169 BRACKET, BEARING, C/W BALLRACE, GROUP Consisting of:-	1	-	4/20
SKEFCO BEARING ballrace	1	-	4/21
TF.S8-1/2 HOUSING	1	L65	4/22
EEAS3/K PLATE	1	L40	4/23
R EA1.31.169A	Attaching parts for EA1.31.169:-			
AS1246/4E Bolt, 1/4" BSF, round head	2	-	4/24
A27/EP Nut, 1/4" BSF, plain	2	-	4/25
SP15/E Washer, 1/4" BSF, plain	2	-	4/26

TAIL UNIT - TAILPLANE

AND ELEVATORS

Part Number	Description	No. Off	Matl. Spec.	Plate No.
EA1.31.421 BUSH	1	S95	4/27
EA1.31.149 HINGE, elevator, inboard	1	L45	4/28
EEAS37/8A Nipple, 4BA	8	S96	4/29
EEAS38/2A Spoke, 4BA (Make from 28R/6124)	4	S96	4/30
EA1.31.317 MOUNTING, TAB TORQUE TUBE, GROUP Spares for:—	1	—	9/10
EA1.31.215 LEVER, stop in	1	S11	9/11
AGS166/3 PIN, split Attaching parts for EA1.31.317:—	1	—	9/12
A25/2C Bolt, 2BA, hex. head	1	—	9/13
A29/ES Nut, 1/4" BSF, slotted	1	—	9/14
EA1.31.303 Shim	1	Alum.	9/15
SP15/E Washer, 1/4" BSF, plain	1	—	9/16
EA1.31.91 SPIGOT, hinge Attaching parts for EA1.31.91:—	1	S11	9/17
A29/NS Nut, 1/2" BSF, slotted	1	—	9/18
HOFFMANN CF2 END-ROD	1	—	8/4
EA9.31.45 LEVER, coupling and control rod Spares for:—	1	—	4/31
FAFNIR KSP6 BALLRACE Attaching parts for EA9.31.45:—	1	—	4/31A
A25/7E Bolt, 1/4" BSF, hex. head	4	—	4/32
A25/8E Bolt, 1/4" BSF, hex. head	5	—	4/33
A27/EP Nut, 1/4" BSF, plain	9	—	4/34
EA1.31.691 LEVER, elevator tab operating Attaching parts for EA1.31.691:—	1	L40	8/5
A25/8C Bolt, 2BA, hex. head	1	—	8/6
AGS2002/C1 Nut, stiff, 2BA	1	—	8/7
EA1.31.155 LINK, restricting, operating lever travel Attaching parts for EA1.31.155:—	2	L72	4/35
AGS899/6 Collar, 5/16" i/d	2	—	4/36
SP4Y/F11 Pin, shackle	1	—	4/37
SP4Y/F13 Pin, shackle	1	—	4/38
SP90/E6 Pin, split	2	—	4/39
SP15/G Washer, 5/16" BSF, plain	2	—	4/40
EA1.31.211 NUT, special, clamp, torque tube	1	S1	8/8
EA1.31.363 PLUG, elevator mechanism inspection	2	—	8/9
EA3.30.273 ROD, CONNECTING, BETWEEN ELEVATOR TAB AND OPERATING LEVER, GROUP (Pre-Mod 4930)	1	—	8/10
EA3.30.411 ROD, CONNECTING, ASSEMBLY (Pre Mod. 5473)	1	—	
EA3.30.475 ROD, CONNECTING, ASSEMBLY (Mod. 5473) Spares for:—	1	—	
EA1.31.99 END, piece (Pre Mod. 5473)	1	L40	8/11
EA3.30.479 END, piece (Mod. 5473)	1	—	

R

R

R

R

TAIL UNIT - TAILPLANE

AND ELEVATORS

Part Number	Description	No. Off	Mati. Spec.	Plate No.
EA1.31.101	. . . END, piece, ball bearing, rod connecting (Pre-Mod. 5473)	1	—	8/12
EA3.30.481	. . . END, piece (Mod. 5473)	1	—	
	Attaching parts for EA3.30.273:—			
EA1.31.65	. . . Bolt, special	2	S65	8/13
A27/CS	. . . Nut, 2BA, slotted	2	—	8/14
EEAS27/8/4B	. . . Shim	1	Alum.	8/15
or				
EA1.31.277				
SP15/C	. . . Washer, 2BA, plain	2	—	8/17
SP16/C	. . . Washer, 2BA, plain	2	—	8/18
EA3.31.125	. . . TAB, ELEVATOR, PORT, GROUP (Pre-Mod 5043)	1	—	7/1
EG9.00.229	. . . TAB ELEVATOR, PORT, ASSEMBLY (Spare) (EA3.31.125) (Mod 5043)	1	—	
EG9.00.251	. . . TAB, ELEVATOR, PORT, ASSEMBLY (Spare) (EA3.31.5051) (Mod 5051) (Pre-Mod 5349)	1	—	
EA3.00.5731	. . . TAB, ELEVATOR, PORT, ASSEMBLY (Spares for EA3.31.5051) (Mod 5349)	1	—	
	Spares for:—			
EA3.31.53	. . . ARM, support, balance weight	8	L40	7/2
	Attaching parts for EA3.31.53:—			
A29/EP	. . . Nut, 1/4" BSF, plain	1	—	7/3
EA1.31.269	. . . Tube, distance	4	L62	7/4
SP15/E	. . . Washer, 1/4" BSF, plain	1	—	7/5
SP16/E	. . . Washer, 1/4" BSF, plain	1	—	7/6
EA1.31.49	. . . FITTING, tab hinge, inter inboard	1	L40	7/7
EA1.31.55	. . . FITTING, tab hinge, inter outboard	1	L40	7/8
EA1.31.57	. . . FITTING, tab hinge, inboard end	1	L40	7/9
EA3.31.23	. . . FITTING, tab hinge, outboard end	1	L40	7/10
EA1.31.61	. . . PIN, special, tab bearing	3	S11	7/11
EA1.31.355	. . . WEIGHT, tab balance	2	DTD126A	7/12
	Attaching parts for EA1.31.355:—			
EA1.45.49	. . . Bolt, special	2	S1	7/13
EEAS27/8/4B	. . . Shim	2	Alum.	7/14
or				
EA1.31.277				
EA1.31.445	. . . WEIGHT, tab balance	2	S92	7/15
	Attaching parts for EA1.31.445:—			
EA1.45.49	. . . Bolt, special	2	S1	7/16
EEAS27/8/4B	. . . Shim	2	Alum.	7/17
or				
EA1.31.277				
EA3.31.117	. . . TORQUE TUBE AND BLOW-BACK ROD, ASSEMBLY	1	—	8/19
	Consisting of:—			
EA1.31.167	. . . BRACKET, bearing	1	—	8/20
EA1.31.443	. . . LEVER, operating	1	—	8/21
	Attaching parts for EA1.31.443:—			
EEAS1/5C	. . . Screw, 2BA 120° csk. head	4	S96	8/22
A27/CS	. . . Nut, 2BA, slotted	4	—	8/23
SP90/C7	. . . Pin, split	4	—	8/24
SP15/C	. . . Washer, 2BA, plain	4	—	8/25
EA1.31.193	. . . ROD, blow-back	1	—	8/26
	Attaching parts for EA1.31.193:—			
A29/JS	. . . Nut, 3/8" BSF, slotted	1	—	8/27
SP90/C7	. . . Pin, split	1	—	8/28

TAIL UNIT - TAILPLANE

AND ELEVATORS

Part Number	Description	No. Off	Matl. Spec.	Plate No.
EA1.31.199	. . . TUBE, torsion, assembly Attaching parts for EA3.31.117:—	1	—	8/29
A25/5E	. . Bolt, 1/4" BSF, hex. head	2	—	8/30
A27/ES	. . Nut, 1/4" BSF, slotted	2	—	8/31
EA1.31.3	. ELEVATOR, C/W TAB, STARBOARD, GROUP (Pre—Mod 5043) (Pre—Alt. R60/50)	1	—	5/1
EG9.00.231	. ELEVATOR, STARBOARD, ASSEMBLY (Spare) (EA1.31.3) (Mod 5043)	1	—	
EG9.00.253	. ELEVATOR, STARBOARD, ASSEMBLY (Spare) (EA3.31.5023) (Mod 5111) (Pre—Mod 5349)	1	—	
EA3.00.5707	. ELEVATOR, STARBOARD ASSEMBLY (Spares for EA3.31.5023) (Mod 5349)	1	—	
EA1.31.710	. . BALANCE, MASS, ELEVATOR, STARBOARD GROUP Consisting of:—	1	—	5/2
EA1.31.713	. . . ARM, balance weight	1	S95	5/3
EA1.31.133	. . . BOLT, special, make-up balance weight	2	MS	5/4
EA1.31.705	. . . PIN, special, locking, balance weight to arm	1	S95	5/5
EA1.31.707	. . . PLUG, screwed, end fitting	1	S95	5/6
EA1.31.129	. . . WEIGHT, balance make-up	1	GEC	5/7
EA1.31.712	. . . WEIGHT, balance	1	Heavy Metal GEC	5/8
30A/9606751	. . . WIRE, locking, 22 SWG Attaching parts for EA1.31.710:—	QR	—	5/9
A27/JS	. . Nut, 3/8" BSF, slotted	1	—	5/10
SP90/C7	. . Pin, split	1	—	5/11
EEAS28/34JR	. . Washer	1	L72	5/12
SKEFCO CBA2	. . BEARING, ballrace elevator tab	1	—	5/13
EA1.31.63	. . BOLT, special, bearing tab hinge	1	S11	5/14
EA1.31.275	. . BOLT, special, stop	1	L40	5/15
AGS2030/22	. . CIRCLIP, internal, 23 m/m	1	—	5/16
EA1.31.13	. . ELEVATOR, STARBOARD, GROUP (Pre—Alt. R60/50)	1	—	5/17
EA3.31.5027	. . ELEVATOR, STARBOARD, GROUP (Alt. R60/50) Spares for:—	—	—	
EA1.31.79	. . . BRACKET, hinge Attaching parts for EA1.31.79:—	3	—	6/1
A25/3C	. . . Bolt, 2BA, hex. head	2	—	6/5
AS1242/3C	. . . Bolt, 2BA, csk. head	1	—	6/4
AGS2001/C1	. . . Nut, stiff, 2BA	3	—	6/6
SP125/D	. . . Washer, 2BA	3	—	6/7
EA1.31.485	. . . COVER, hand hole between elevator rib and hinge rib Attaching parts for EA1.31.485:—	1	L72	6/9
AS1242/1C	. . . Bolt, 2BA csk. head	8	—	6/10
EA1.31.8 or	. . . HORN, ELEVATOR, STARBOARD, GROUP (Pre—Alt. R60/50)	1	—	6/33
EA3.31.5034	. . . HORN, ELEVATOR, STARBOARD, GROUP (Alt. R60/50) Spares for:—	—	—	
EA1.31.52 or BRACKET, horn (Pre—Alt. R60/50)	1	DTD300	6/34
EA3.31.5010 BRACKET, horn (Alt. R60/50)	1	L92	
EEAS1/2C SCREW, 2BA 120 ^o csk. head	3	S96	6/13
EEAS1/4C SCREW, 2BA 120 ^o csk. head	8	S96	6/14
EEAS1/4 1/2E SCREW, 1/4" BSF 120 ^o csk. head	16	S96	6/15
EA1.31.91 SPIGOT, hinge	1	S11	6/1

TAIL UNIT - TAILPLANE

AND ELEVATORS

Part Number	Description	No. Off	Matl. Spec.	Plate No.
EA3.31.25	WEIGHT, ELEVATOR, HORN BALANCE, GROUP Consisting of:—	1	—	6/17
EA3.31.29	BOLT, special	1	MS	6/18
EA3.31.27	DISC, balance weight	1	DTD126A	6/19
EA1.31.333	DISC, balance weight	QR	L64	6/20
EA1.31.339	HOUSING, balance weight	1	—	6/21
SP42/J	WASHER, tab, 3/8" BSF	1	—	6/22
SP15/J	WASHER, 3/8" BSF, plain	QR	—	6/23
EA3.31.39	WEIGHT, mass balance	1	S92	6/24
EA3.31.41	WEIGHT, mass balance	QR	S92	6/25
EA1.31.83	HOUSING, bearing, tab spar Attaching parts for EA1.31.83:—	1	L40	6/26
R A27/CT	Nut, 2BA, thin	4	—	6/27
EEAS1/2C	Screw, 2BA 120° csk. head	4	S96	6/28
SP16/C	Washer, 2BA, plain	4	—	6/29
EA1.31.679	MEMBER, trailing edge	1	L72	6/30
EA1.31.325	PACKING, trailing edge	8	Balsa Wood	6/31
EEAS1/2 1/2E	SCREW, 1/4" BSF 120° csk. head	6	S96	6/32
EA1.31.17	SPAR, ELEVATOR MAIN, STARBOARD, GROUP	1	—	9/19
or EA3.31.5037	Spares for:—			
R EA1.31.53	BRACKET, hinge, elevator centre (Pre-Alt. R60/72)	1	DTD300	9/4
or R EA3.31.5007	BRACKET, hinge (Alt. R60/72) Attaching parts for EA1.31.53:—	1	L92	
A25/4C	Bolt, 2BA, hex. head	2	—	9/5
AS1242/5C	Bolt, 2BA, csk. head	4	—	9/6
A27/CP	Nut, 2BA, plain	6	—	9/7
EA9.31.89	Shim	2	Lam. Alum	9/8
EA9.31.91	Shim	2	Lam. Alum	8/9
EA1.31.421	BUSH	1	S95	5/18
EA1.31.151	HINGE, elevator inboard Attaching parts for EA1.31.151:—	1	L45	5/19
EEAS37/8A	Nipple, 4BA	8	S96	5/20
EEAS38/2A	Spoke, 4BA	4	S96	5/21
EA1.31.91	SPIGOT, hinge Attaching parts for EA1.31.91:—	1	S11	9/17
A29/NS	Nut, 1/2" BSF, slotted	1	—	9/18
EA1.31.351	LEVER, stop, coupling, arm attachment Attaching parts for EA1.31.351:—	1	L40	5/22
A25/5G	Bolt, 5/16" BSF, hex. head	3	—	5/23
A27/GT	Nut, 5/16" BSF, thin	3	—	5/24
EA9.31.47	LEVER, COUPLING, CONTROL, GROUP Consisting of:—	1	—	5/25
EA1.31.275	BOLT, special, stop	1	L40	5/26
A27/JT	NUT, 3/8" BSF, thin	1	—	5/27

AP101B-0418-3A

TAIL UNIT - TAILPLANE

AND ELEVATORS

Part Number	Description	No. Off	Matl. Spec.	Plate No.					
				1	2	3	4	5	6
EA9.31.45	. . . LEVER, ASSEMBLY Spares for:—	1	—						5/28
FAFNIR KSP6 BEARING, ballrace Attaching parts for EA9.31.47:—	1	—						5/29
A25/7E	. . Bolt, 1/4" BSF, hex. head	4	—						5/30
A25/8E	. . Bolt, 1/4" BSF, hex. head	5	—						5/31
A27/EP	. . Nut, 1/4" BSF, plain	9	—						5/32
A27/JT	. . Nut, thin, 3/8" BSF	1	—						5/33
EA1.31.363	. . PLUG, elevator mechanism inspection	2	—						5/34
EA1.31.105	. . ROD, connecting, elevator tab gear Attaching parts for EA1.31.105:—	1	—						9/20
EA1.31.65	. . Bolt, special	1	S65						9/21
A27/CS	. . Nut, 2BA, slotted	1	—						9/22
EEAS27/8/4B or EA1.31.277	. . Shim	1	Alum.						9/23
SP15/C	. . Washer, 2BA, plain	1	—						9/24
SP16/C	. . Washer, 2BA, plain	1	—						9/25
EA3.31.127	. . TAB, ELEVATOR, STARBOARD, GROUP (Pre—Mod 5043)	1	—						7/18
EG9.00.235	. . TAB, ELEVATOR, STARBOARD, ASSEMBLY (Spare) (EA3.31.127) (Mod 5043)	1	—						
EG9.00.257	. . TAB, ELEVATOR, STARBOARD, ASSEMBLY (Mod 5043) (Pre—Mod 5349)	1	—						
EA3.00.5733	. . TAB, ELEVATOR, STARBOARD, ASSEMBLY (Spares for EA3.31.5053) (Mod 5349) Spares for:—	1	—						
EA3.31.53	. . . ARM, support, balance weight Attaching parts for EA3.31.53:—	12	L40						7/2
A29/EP	. . . Nut, 1/4" BSF, plain	1	—						7/3
EA1.31.269	. . . Tube, distance	6	—						7/4
SP15/E	. . . Washer, 1/4" BSF, plain	1	—						7/5
SP16/E	. . . Washer, 1/4" BSF, plain	1	—						7/6
EA1.31.50	. . . FITTING, tab hinge, inter inboard	1	L40						7/19
EA1.31.55	. . . FITTING, tab hinge, inter outboard	1	L40						7/8
EA3.31.23	. . . FITTING, tab hinge, outboard end	1	L40						7/10
EA1.31.449	. . . FITTING, tab hinge, inboard end	1	L40						7/20
EA1.31.61	. . . PIN, special, tab bearing	1	S11						7/11
EA1.31.353	. . . WEIGHT, balance, outboard Attaching parts for EA1.31.353:—	4	—						7/21
EA1.45.49	. . . Bolt, special	2	S1						7/16
EEAS27/8/4B or EA1.31.277	. . . Shim	2	Alum.						7/17
EA1.31.355	. . . WEIGHT, balance, inboard Attaching parts for EA1.31.355:—	2	—						7/12
EA1.45.49	. . . Bolt, special	2	S1						7/13
EEAS27/8/4B or EA1.31.277	. . . Shim	2	Alum.						7/14
EA9.00.377	. FAIRING, DETACHABLE ROOT, PORT, ASSEMBLY (EA1.30.1147)	1	—						10/1
EA9.00.378	. FAIRING, DETACHABLE, ROOT, STARBOARD, ASSEMBLY (EA1.30.1148) Spares for:—	1	—						10/2
EA1.30.1107	. . PANEL, access, tailplane actuator Attaching parts for EA1.30.1107:—	1	L72						10/3
A33/B12	. . Screw, 4BA csk. head	8	—						10/4

R
R

TAIL UNIT - TAILPLANE
AND ELEVATORS

Part Number	Description	No. Off	Matl. Spec.	Plate No.
EA3.30.267	. . . PLATE, insert, port	1	—	10/5
EA3.30.268	. . . PLATE, insert	1	—	10/6
EA9.30.39	. . . SEAL, spring, assembly, port	1	—	10/7
EA9.30.40	. . . SEAL, spring, assembly, starboard	1	—	10/8
A25/3C	. Bolt, 2BA, hex. head	4	—	10/9
A33/C16	. Screw, 2BA, csk. head	8	—	10/10
EA3.31.43	. LINK, connecting, elevator operation lever Attaching parts for EA3.31.43:—	1	L40	9/27
A25/14J	. Bolt, 3/8" BSF, hex. head	1	—	9/28
A27/JS	. Nut, 3/8" BSF, slotted	1	—	9/29
SP16/J	. Washer, 3/8" BSF, plain	1	—	9/30
EA3.31.49	. PLATE, locking, for serrated bush Attaching parts for EA3.31.49:—	1	S95	9/31
A33/C16	. Screw, 2BA, csk. head	1	—	9/32
R EA1.31.279 or R EK5.31.607 EB8.31.31	. ROD-END, c/w ballrace, tab operating (Pre—Alt. R60/14) . ROD-END, assembly (Alt. R60/14) . SCREW, special connecting, between connecting rod and end piece	1 1 1	— — —	9/33 9/34
EA3.00.5511	. TAILPLANE, ASSEMBLY (Pre—Mod 5261)	1	—	10/11
EA3.00.5521	. TAILPLANE, ASSEMBLY (EA3.30.431) (Mod 5261)	1	—	
EA3.00.5519	. TAILPLANE, ASSEMBLY (This tailplane reworked to dwg. EA3.03.267 will fit CANBERRA Mk. 18) Spares for:—			
EA3.30.459	. . . BOLT, special (Mod 5261)	4	—	10/12
EA1.30.297	. . . BOLT, special (Mod 5261 Amtd. No. 1)	4	S65	10/12
EA1.30.299	. . . BOLT, special	4	S65	10/13
EA3.30.461	. . . BOLT, special (Mod 5261)	8	—	10/14
EA3.30.409	. . . BOLT, special (Mod 5261 Amtd. No. 1)	8	—	10/14
EA1.30.323	. . . BOLT, special	8	—	10/15
EA1.30.413	. . . BRACKET, TAILPLANE ACTUATOR CHANNEL, ASSEMBLY Spares for:—	1	—	11/1
EA1.30.379 BOLT, special	4	S65	11/2
EA1.30.279 BUSH, bearing	2	S1	11/3
EA1.30.277 PIN, attachment	1	S11	11/4
EA1.30.5	. . . EDGE, leading tailplane, port (Supplied for spares to Drg. EA9.00.23) (Pre—Mod 5261) Spares for:—	1	—	1/5
EA3.30.433	. . . EDGE, leading, tailplane, port assembly (Mod 5261)	1	—	
EA3.30.463 BOLT, special (Mod 5261)	2	—	
A25/4E BOLT, 1/4" BSF (Mod 5261 Amtd. No. 1)	2	—	
EA3.30.465 BOLT, special (Mod 5261)	12	—	
A25/3C BOLT, 2BA (Mod 5261 Amtd. No. 1)	12	—	
— RIB 3, FRONT, ASSEMBLY (EA1.30.69) Spares for:—	—	—	
EA1.30.171 LUG, attachment (Pre—Mod 4783)	1	L40	
EA1.30.172 LUG, attachment (Pre—Mod 4783)	1	L40	
EA3.30.405 LUG, attachment (Mod 4783)	1	S97	
EA3.30.406 LUG, attachment (Mod 4783) Attaching parts for EA3.30.405 and EA3.30.406:—	1	S97	
A59/3E Bolt, 1/4" BSF, hex. head	10	—	
AGS2002/E/1 Nut, stiff, 1/4" BSF	10	—	
SP124/E Washer, packing	10	—	

AP101B-0418-3A

TAIL UNIT-TAILPLANE
AND ELEVATORS

Part Number	Description	No. Off	Matl. Spec.	Plate No.
R EA1.30.6	EDGE, leading, tailplane, starboard (Supplied for spares to Drg. EA9.00.24) (Pre-Mod. 5261)	1	-	11/6
R EA3.30.434	EDGE, leading, tailplane, starboard assembly (Mod. 5261) Spares for:-	1	-	
R EA3.30.463	BOLT, special (Mod. 5261)	2	-	
R A25/4E	BOLT, 1/4" BSF (Mod. 5261 Amdt. No. 1)	2	-	
R EA3.30.465	BOLT, special (Mod. 5261)	12	-	
R A25/3C	BOLT, 2 BA (Mod. 5261 Amdt. No. 1)	12	-	
-	RIB 3, FRONT, ASSEMBLY (EA1.30.69) Spares for:-	-	-	
EA1.30.171	LUG, attachment (Pre-Mod. 4783)	1	L40	
EA1.30.172	LUG, attachment (Pre-Mod. 4783)	1	L40	
EA3.30.405	LUG, attachment (Mod. 4783)	1	S97	
EA3.30.406	LUG, attachment (Mod. 4783) Attaching parts for EA3.30.405 and EA3.30.406 (Mod. 4783):-	1	S97	
A60/3G	Bolt, 5/16" BSF hex. head	10	-	
A58GT	Nut, stiff, 5/16" BSF	10	-	
SP124G	Washer	10	-	
EA1.30.7	EDGE, TRAILING, TAILPLANE, PORT, ASSEMBLY Spares for:-	1	-	11/76
EA1.30.49	BRACKET, HINGE, ELEVATOR, OUTBOARD, C/W BALLRACE, GROUP Spares for:-	1	-	11/8
SKEFCO	BALLRACE	1	BSS292	11/9
BAL1/2	HOUSING, ballrace	1	L40	11/10
EA1.30.401	WASHER, packing	1	L72	11/1
EEAS4/20G	Attaching parts for EA1.30.49:-			
A25/4C	Bolt, 2 BA hex. head	2	-	11/12
AS1242/5E	Bolt, 1/4" BSF c'sk head	4	-	11/13
A27/CP	Nut, 2 BA plain	2	-	11/14
A27/EP	Nut, 1/4" BSF plain	4	-	11/15
EA1.30.117	BRACKET, HINGE, ELEVATOR, CENTRE, PORT, C/W BALLRACE, GROUP Spares for:-	1	-	11/16
SKEFCO	BALLRACE	1	BSS292	11/17
BAL1/2	HOUSING, ballrace	1	L40	11/18
EA1.30.399	Attaching parts for EA1.30.117:-			
EA1.30.121	Bolt, special	2	S11	11/19
A27/ES	Nut, 1/4" BSF slotted	2	-	11/20
EA1.30.383	CUP, sealing, elevator lock recess	2	L40	11/21
-	RIB 3, AFT, ASSEMBLY (EA1.30.93) Spares for:-	-	-	
EA1.30.173	LUG, attachment (Pre-Mod. 4783)	1	L40	
EA1.30.174	LUG, attachment (Pre-Mod. 4783)	1	L40	
EA3.30.407	LUG, attachment (Mod. 4783)	1	S97	
R EA3.30.408	LUG, attachment (Mod. 4783) Attaching parts for EA3.407 and EA3.30.408 (Mod. 4783):-	1	S97	
A60/4G	Bolt, 5/16" BSF hex. head	10	-	
A58/GT	Nut, stiff, 5/16" BSF	10	-	
SP125/G	Washer, packing	10	-	

TAIL UNIT-TAILPLANE
AND ELEVATORS

Part Number	Description	No. Off	Matl. Spec.	Plate No.					
				1	2	3	4	5	6
EA1.30.8	EDGE, TRAILING, TAILPLANE, STARBOARD, ASSEMBLY Spares for:—	1	—						11/22
EA1.30.49	BRACKET, HINGE, ELEVATOR, OUTBOARD, C/W BALLRACE, GROUP Spares for:—	1	—						11/8
SKEFCO BAL1/2	BALLRACE	1	BSS292						11/9
EA1.30.401	HOUSING, ballrace	1	L40						11/10
EEAS4/20G	WASHER, packing Attaching parts for EA1.30.49:—	1	L72						11/11
A25/4C	Bolt, 2 BA hex. head	2	—						11/12
AS1242/5E	Bolt, 1/4" BSF c'sk head	4	—						11/13
A27/CP	Nut, 2 BA plain	2	—						11/14
A27/EP	Nut, 1/4" BSF plain	4	—						11/15
EA1.30.117	BRACKET, HINGE, ELEVATOR, CENTRE, STARBOARD, C/W BALLRACE, GROUP Spares for:—	1	—						11/16
SKEFCO BAL1/2	BALLRACE	1	BSS292						11/17
EA1.30.399	HOUSING, ballrace Attaching parts for EA1.30.117:—	1	L40						11/18
EA1.30.121	Bolt, special	2	S11						11/19
A27/ES	Nut, 1/4" BSF slotted	2	—						11/20
EA1.30.315	BRACKET, operating, tab Attaching parts for EA1.30.315:—	1	—						12/2
EA1.30.313	Bolt, special	2	S11						12/3
A27/ES	Nut, 1/4" BSF slotted	2	—						12/4
SP90/C7	Pin, split	2	—						12/32
EA1.30.291	BRACKET, stop, elevator lower Attaching parts for EA1.30.291:—	1	—						12/5
AS1246/3C	Bolt, 2 BA round head	4	—						12/6
AGS2001/C/1	Nut, stiff, 2 BA	4	—						12/7
SP16/C	Washer, 2 BA plain	4	—						12/8
EA1.30.293	BRACKET, stop, elevator upper Attaching parts for EA1.30.293:—	1	—						12/9
AS1246/3C	Bolt, 2 BA round head	4	—						12/10
AGS2001/C/1	Nut, stiff, 2 BA	4	—						12/11
SP16/C	Washer, 2 BA plain	4	—						12/12
EA1.30.383	CUP, sealing, elevator lock release	2	L40						11/21
—	RIB, 3 AFT, ASSEMBLY, (EA1.30.93) Spares for:—	—	—						
EA1.30.173	LUG, attachment (Pre-Mod. 4783)	1	L40						
EA1.30.174	LUG, attachment (Pre-Mod. 4783)	1	L40						
EA3.30.407	LUG, attachment (Mod. 4783)	1	S97						
EA3.30.408	LUG, attachment (Mod. 4783) Attaching parts for EA3.30.407 and EA3.30.408:—	1	S97						
A60/4G	Bolt, 5/16" BSF hex. head	10	—						
A58/GT	Nut, stiff, 5/16" BSF	10	—						
SP125/G	Washer, packing	10	—						
EA1.31.307 or EK5.31.603	HINGE, ASSEMBLY, CENTRE, PORT (Pre Alt R60/13) HINGE, ASSEMBLY, (Alt R60/13) Consisting of:—	1	—						12/13
SKEFCO CA7	BALLRACE	1	—						12/14
AGS2030/57	CIRCLIP, internal, 50 mm.	1	—						12/15
EA1.31.45 or EK5.31.605	HOUSING, bearing	1	—						12/16
	HOUSING, bearing Attaching parts for EA1.31.307 and EK5.31.605:—	1	—						
A25/4G	Bolt, 5/16" BSF hex. head	3	—						12/17
A27/GS	Nut, 5/16" BSF slotted	3	—						12/18
SP90/C7	Pin, split	3	—						12/31

AP101B-0418-3A

TAIL UNIT-TAILPLANE
AND ELEVATORS

Part Number	Description	No. Off	Matl. Spec.	Plate No.
R EA1.31.308 or R EK5.31.604	. . . HINGE, ASSEMBLY, CENTRE, STARBOARD (Pre Alt R60/13) . . . HINGE, ASSEMBLY (Alt R60/13) Consisting of:—	1	—	12/13
SKEFCO	1	—	12/14
CBA5 BALLRACE	1	—	12/15
AGS2030/57 CIRCLIP, internal, 50 mm.	1	—	12/30
EA1.31.46 or EK5.31.606 HOUSING, bearing HOUSING, bearing Attaching parts for EA1.31.308 and EK5.31.604:—	1	—	
A25/4G	. . . Bolt, 5/16" BSF hex. head	3	—	12/17
A27/GS	. . . Nut, 5/16" BSF slotted	3	—	12/18
SP90/C7	. . . Pin, split	3	—	
A29/PP	. . . NUT, plain, 9/16" BSF (Pre-Mod. 5261)	4	—	
A27/PP	. . . NUT, plain, 9/16" BSF (Mod. 5261)	4	—	
A27/GP	. . . NUT, plain, 5/16" BSF	8	—	
EA3.30.469	. . . PATCH, fabric (Mod. 5261)	8	BS7F1	
EEAS65	. . . PLATE, serial, record	1	L72	11/23
EA3.30.471	. . . REINFORCING, 18 SWG (Mod. 5261)	2	L73	
EA1.30.389	. . . SKIN, fixed, fairing, port (Supplied for spares to Drg. EA3.00.937)	1	—	10/16
EA1.30.390	. . . SKIN, fixed, fairing, starboard (Supplied for spares to Drg. EA3.00.938)	1	—	10/17
EA1.30.33	. . . SPAR, MAIN, TAILPLANE, CENTRE SECTION, ASSEMBLY Spares for:—	1	—	10/18
EA3.30.145 BUSH, hinge	4	S99	10/19
EA1.30.263 FORK, bottom	2	S65	10/20
EA1.30.265 FORK top	2	S65	10/21
EA1.30.267 SHIM	4	Alum.	10/22
EEAS28/15JR WASHER, 10 SWG	8	L72	10/23
AS471/P	. . . WASHER (Pre-Mod. 5261)	4	—	
SP125/P	. . . WASHER (Mod. 5261)	4	—	
AS471/R	. . . WASHER (Pre-Mod. 5261)	4	—	
SP125/S	. . . WASHER (Mod. 5261)	4	—	
SP124/G	. . . WASHER	8	—	
EA3.30.269	. . . TAPPET, MICRO SWITCH, TAILPLANE, TRAVEL LIMIT, ASSEMBLY Spares for:—	1	—	12/19
EA1.30.367 BODY, tappet	1	L40	12/20
EA1.30.371 COLLAR	1	L56	12/21
EA3.30.277 PIN, tappet	1	L64	12/22
EA1.30.369 SPRING, compression	1	DTD.215	12/23
R EB6.30.21	. . . TAPPET, SWITCH ASSEMBLY (Mod. 5229) Consisting of:—	1	—	12/24
R EB6.30.25 BODY, tappet	1	—	12/25
R EA1.30.371 COLLAR	1	—	12/26
R EB6.30.23 PIN, tappet	1	—	12/27
R SP65/E4 PIN, taper	1	—	12/28
R EB6.30.27 SPRING, compression	1	—	12/29

TAIL UNIT-TAILPLANE
AND ELEVATORS

Part Number	Description	No. Off	Matl. Spec.	Plate No.
-	TAILPLANE, SLOT IN SKIN FOR ULTRASONIC CHECKING OF SPAR BOOM (EA3.30.413/4) (Mod. 5058) Spares for:-	-	-	
EA3.30.415	. . PLATE, attachment	1	L73	
EA3.30.416	. . PLATE, attachment	1	L73	
EA3.30.417	. . PLATE, attachment	1	L73	
EA3.30.419	. . PLATE, attachment	1	L73	
EA3.30.420	. . PLATE, attachment	1	L73	
EA3.30.421	. . PLATE, attachment	1	L73	
EA1.31.165	. WASHER, special	2	L64	9/35
EA1.31.361	. WASHER, special	2	L72	4/41

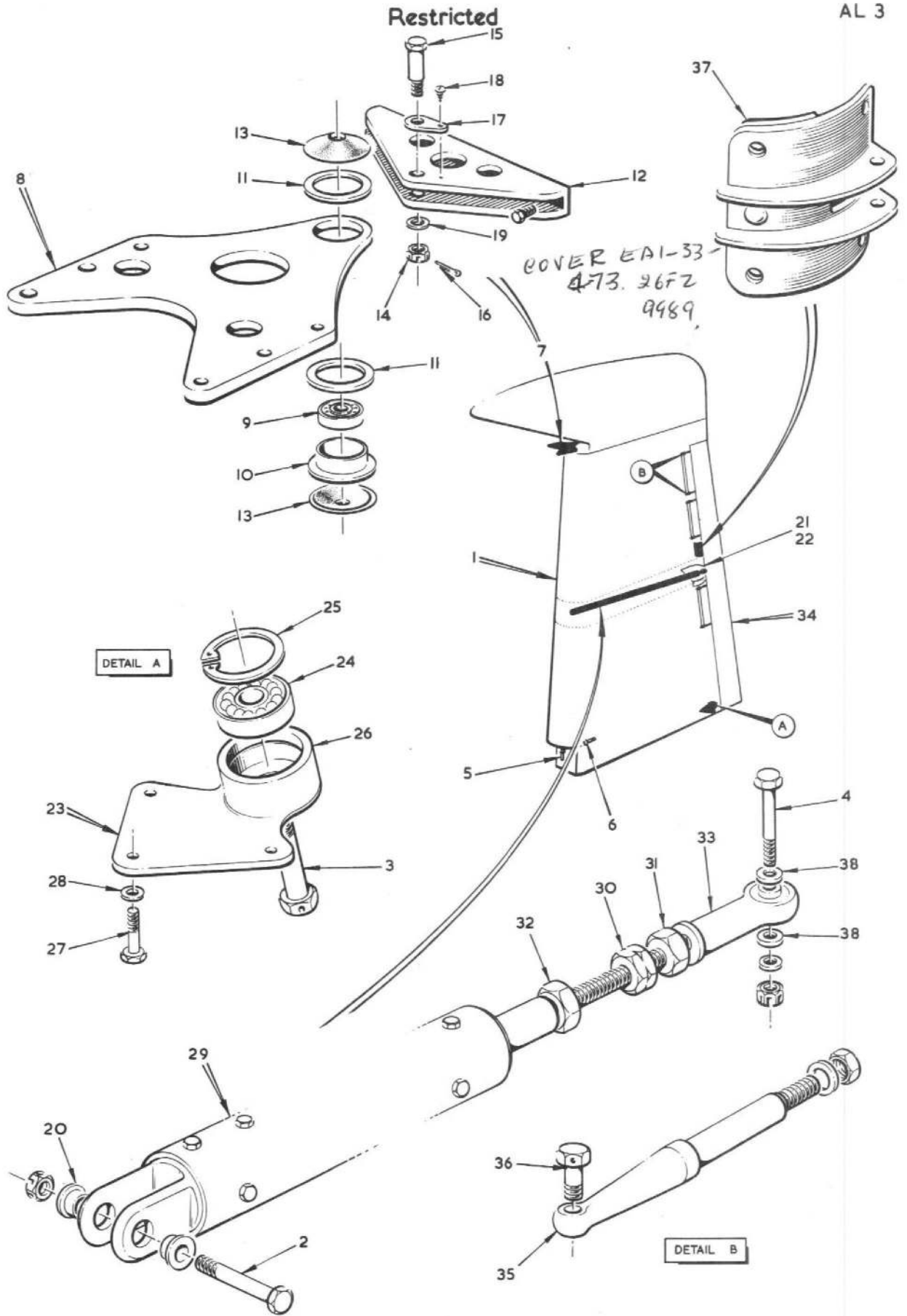


FIG. I TAIL UNIT-RUDDER C/W TAB
Restricted



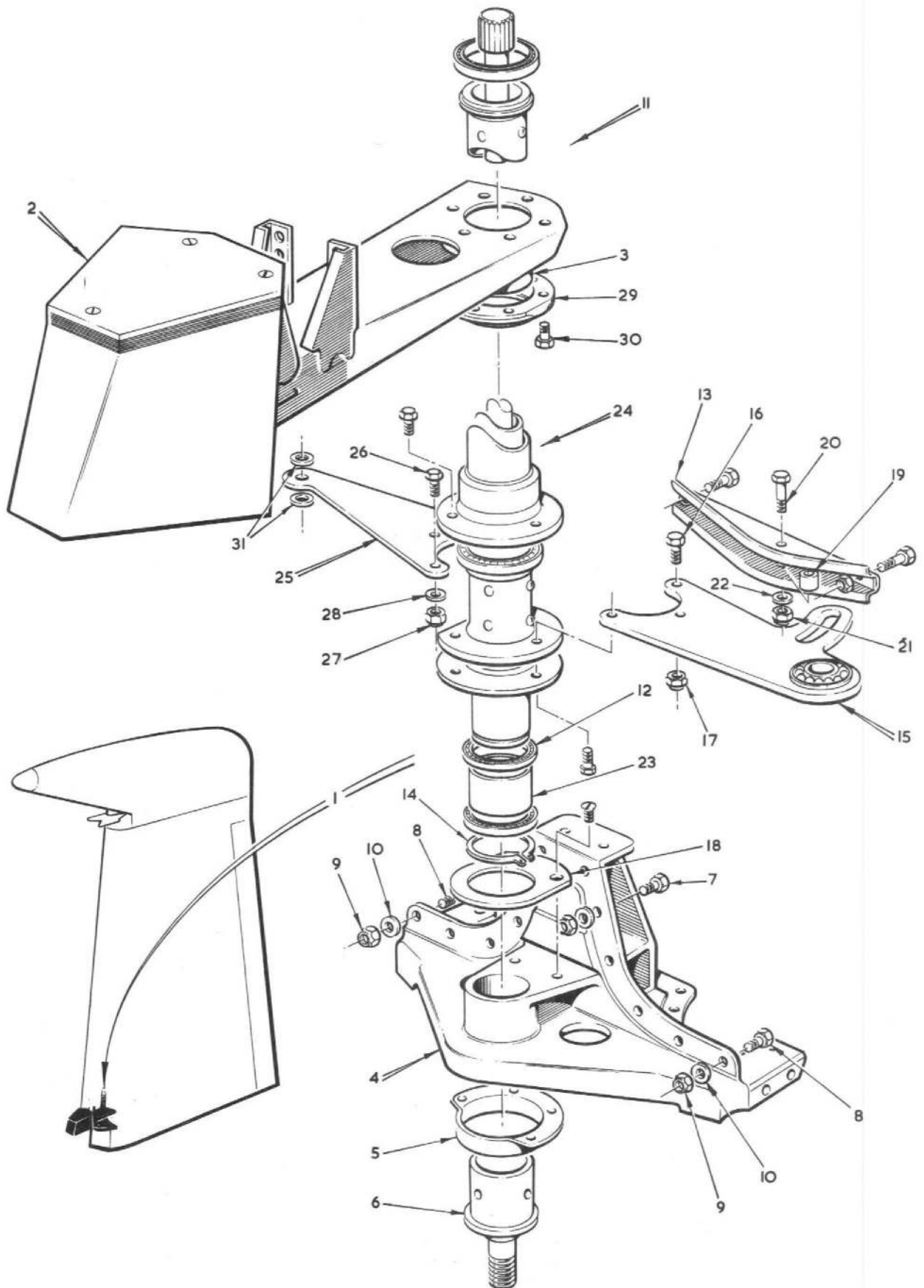
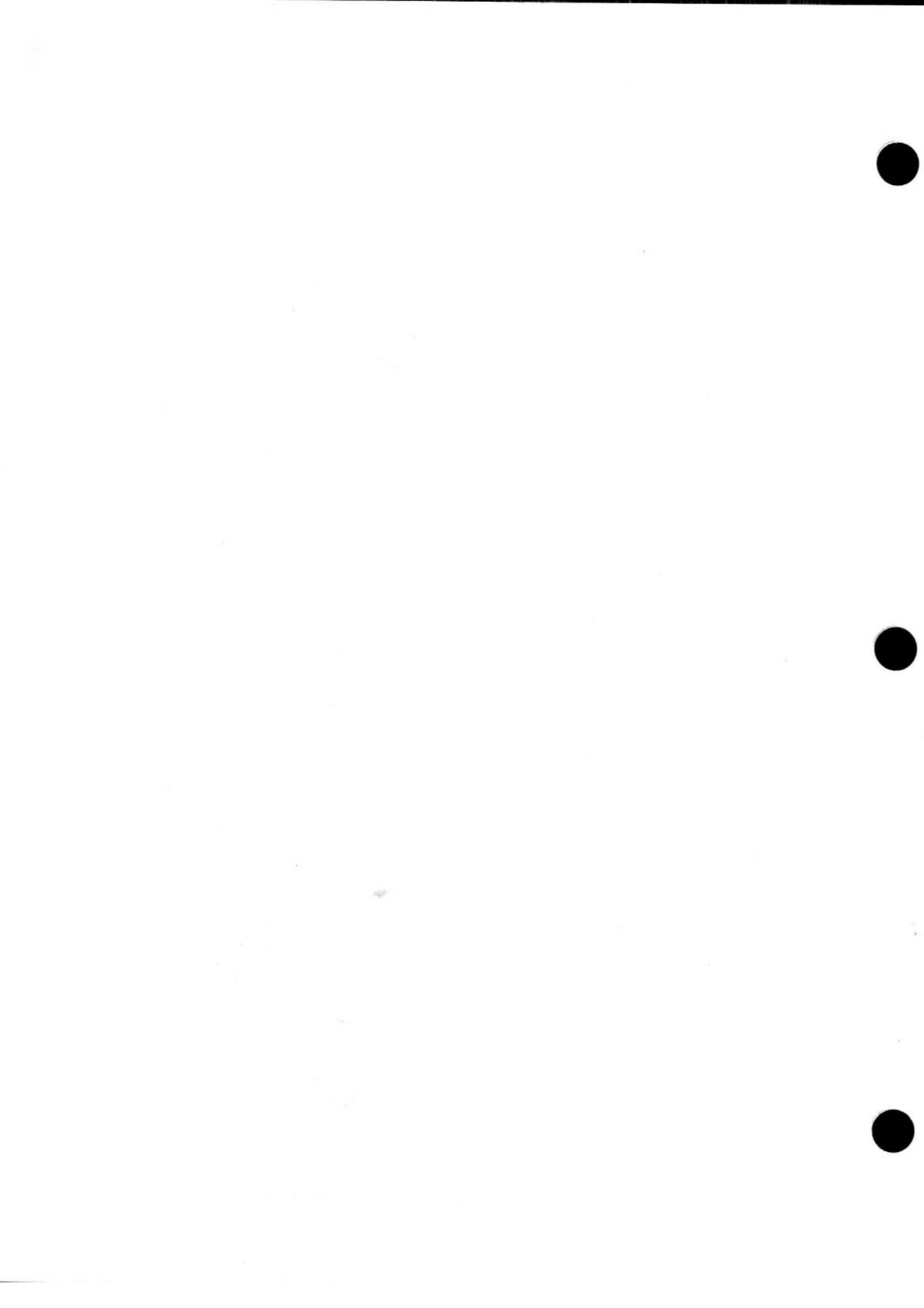


FIG. 2 TAIL UNIT-RUDDER C/W TAB
Restricted



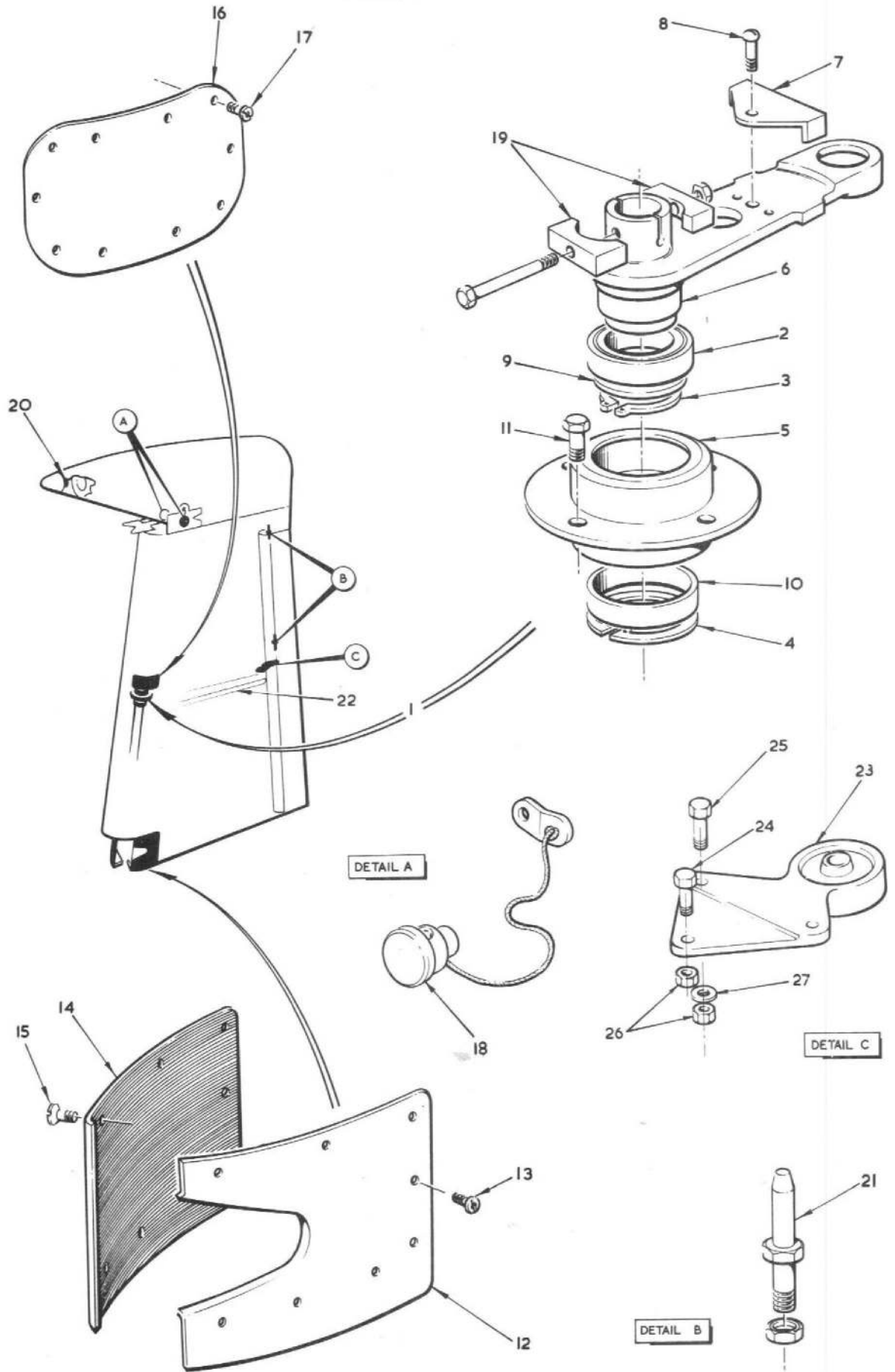
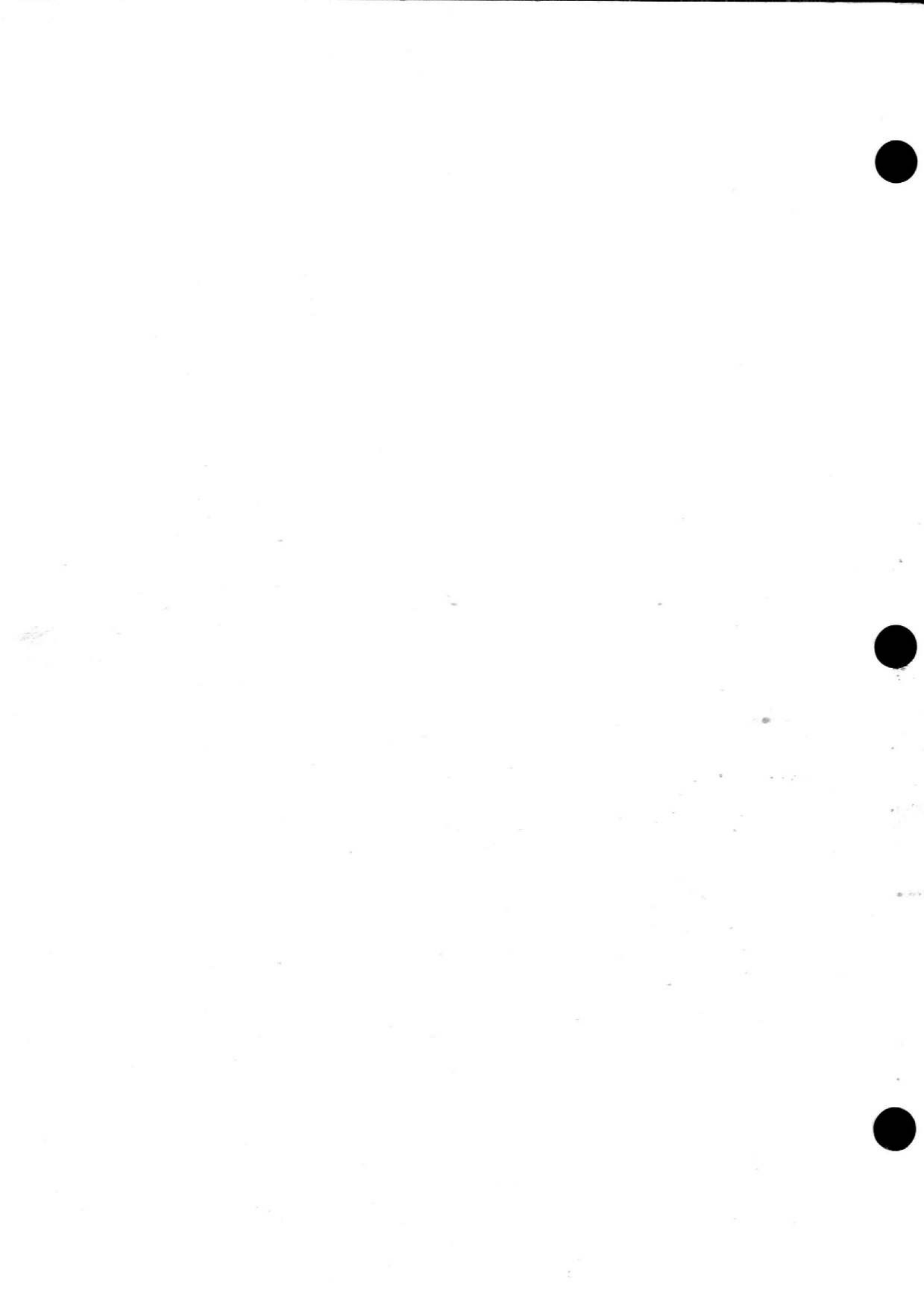


FIG. 3 TAIL UNIT - RUDDER C/W.TAB
Restricted



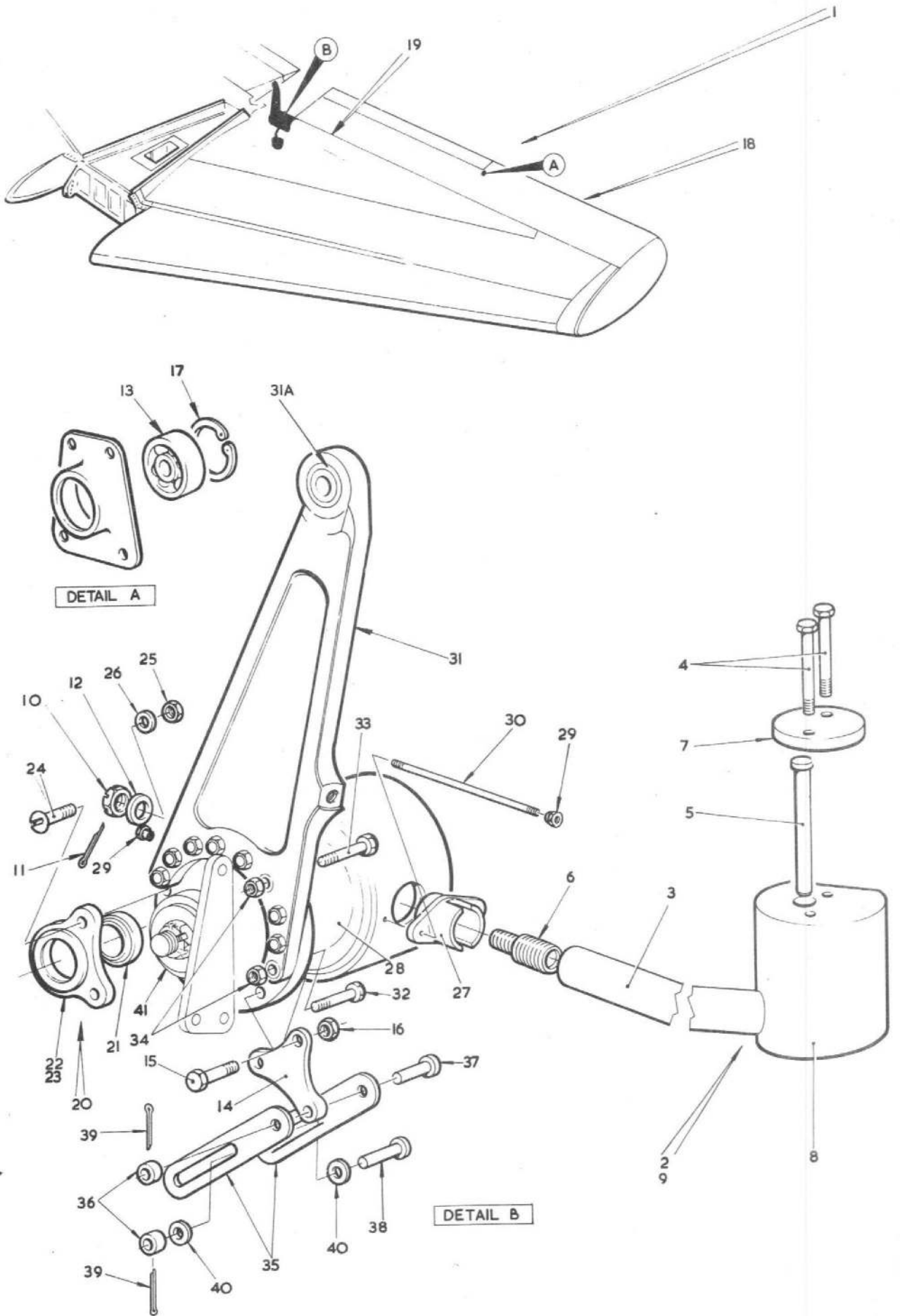
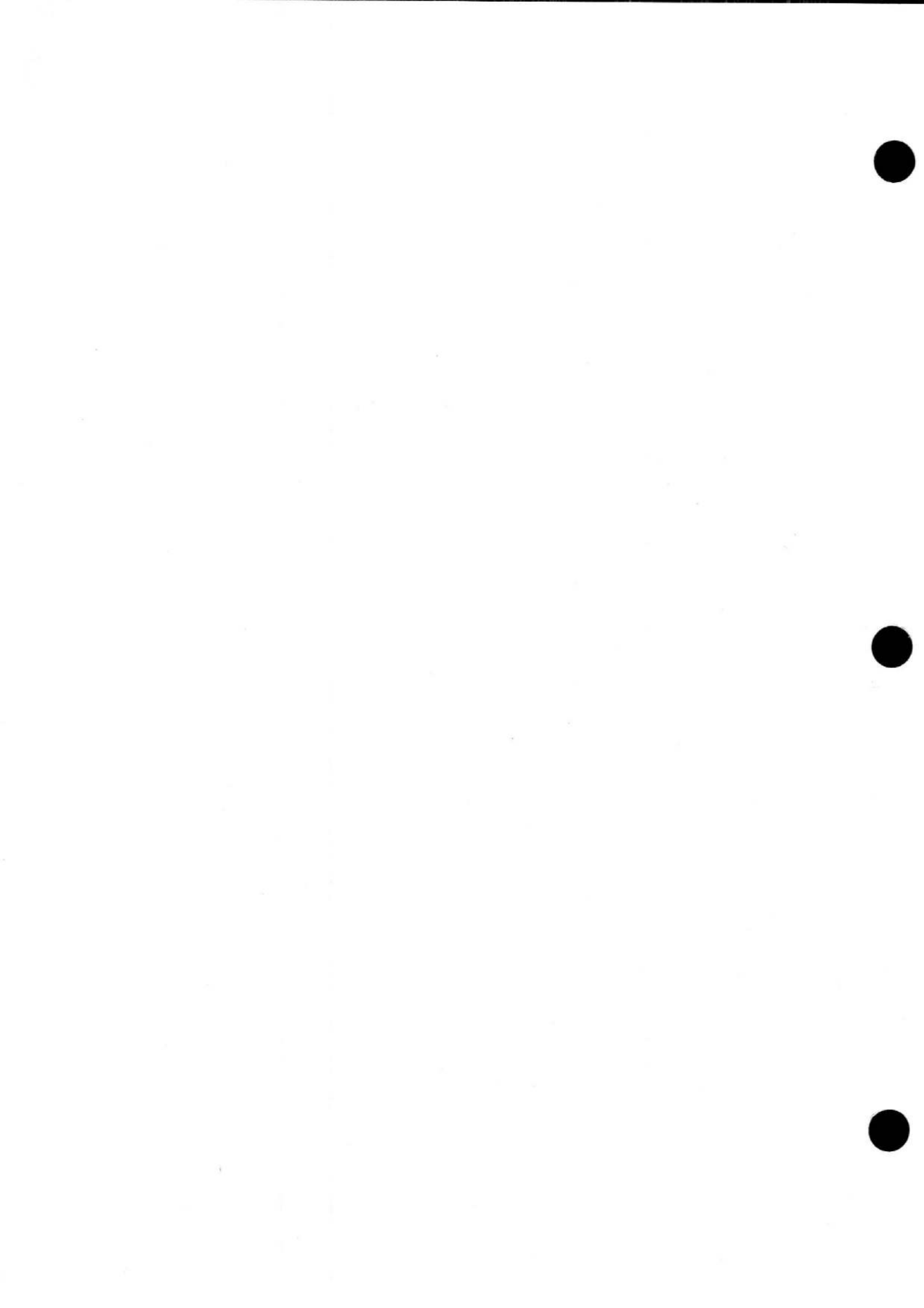
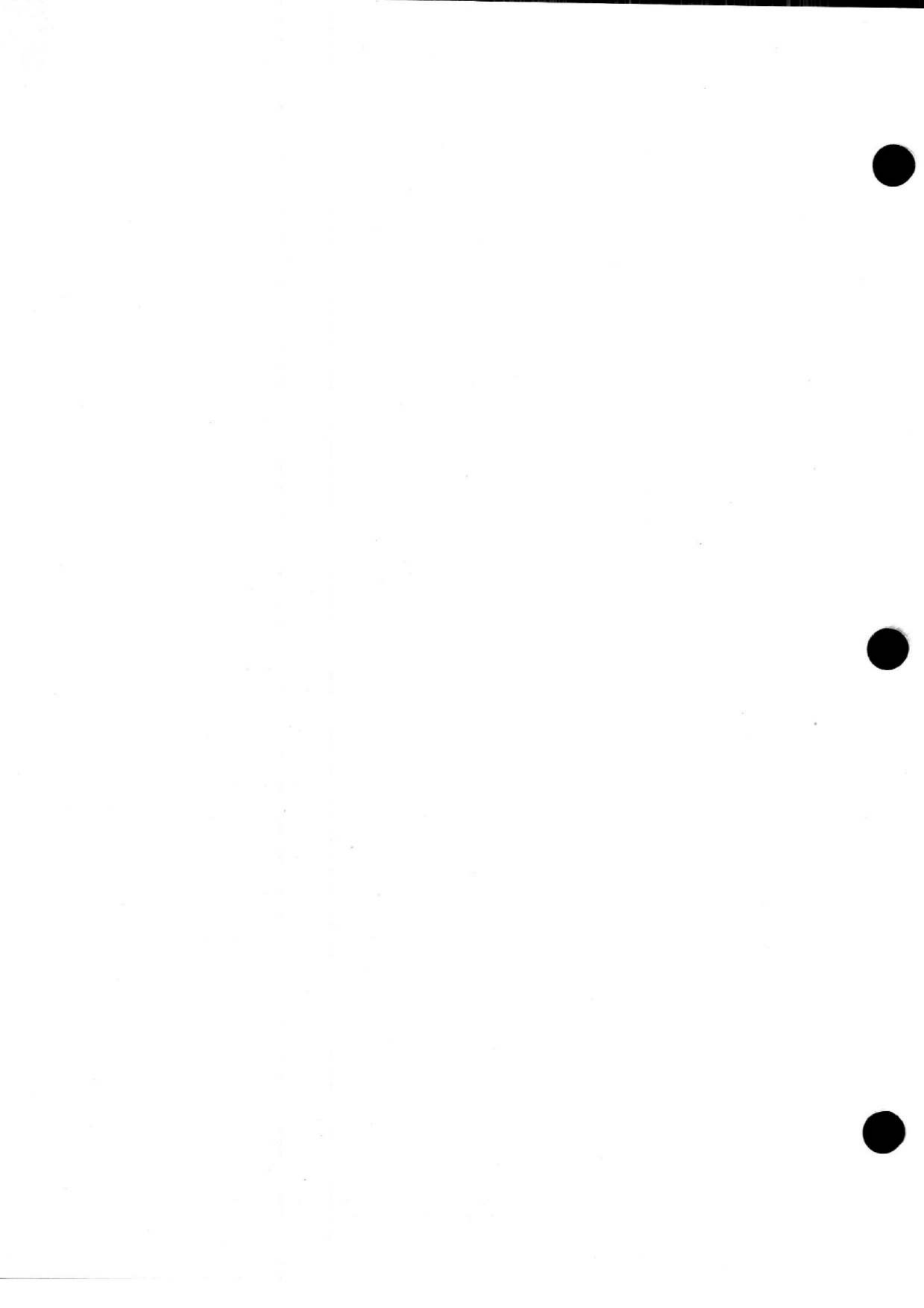


FIG 4 TAIL UNIT AND ELEVATORS
Restricted





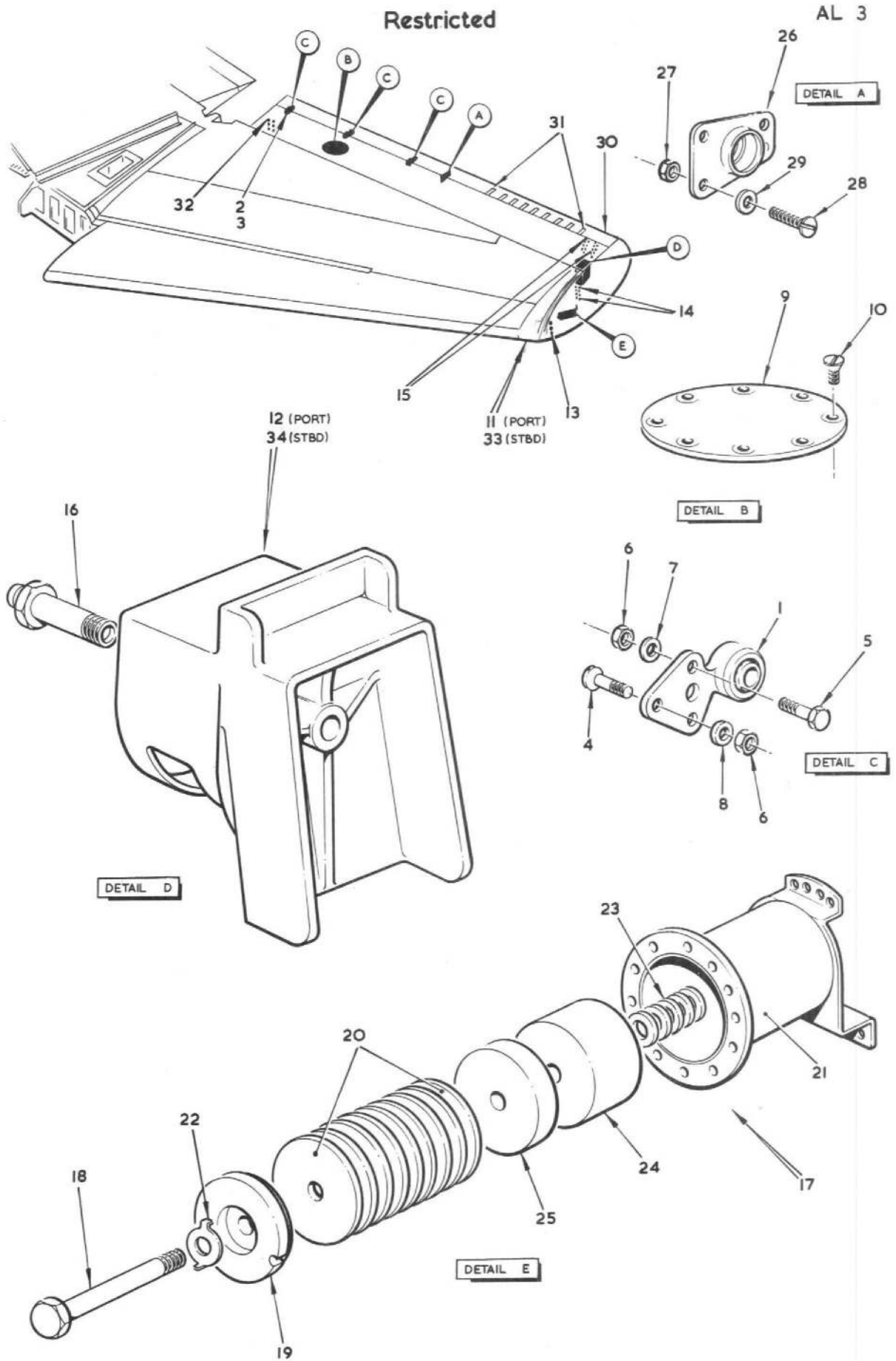


FIG. 6 TAIL UNIT & ELEVATORS
Restricted



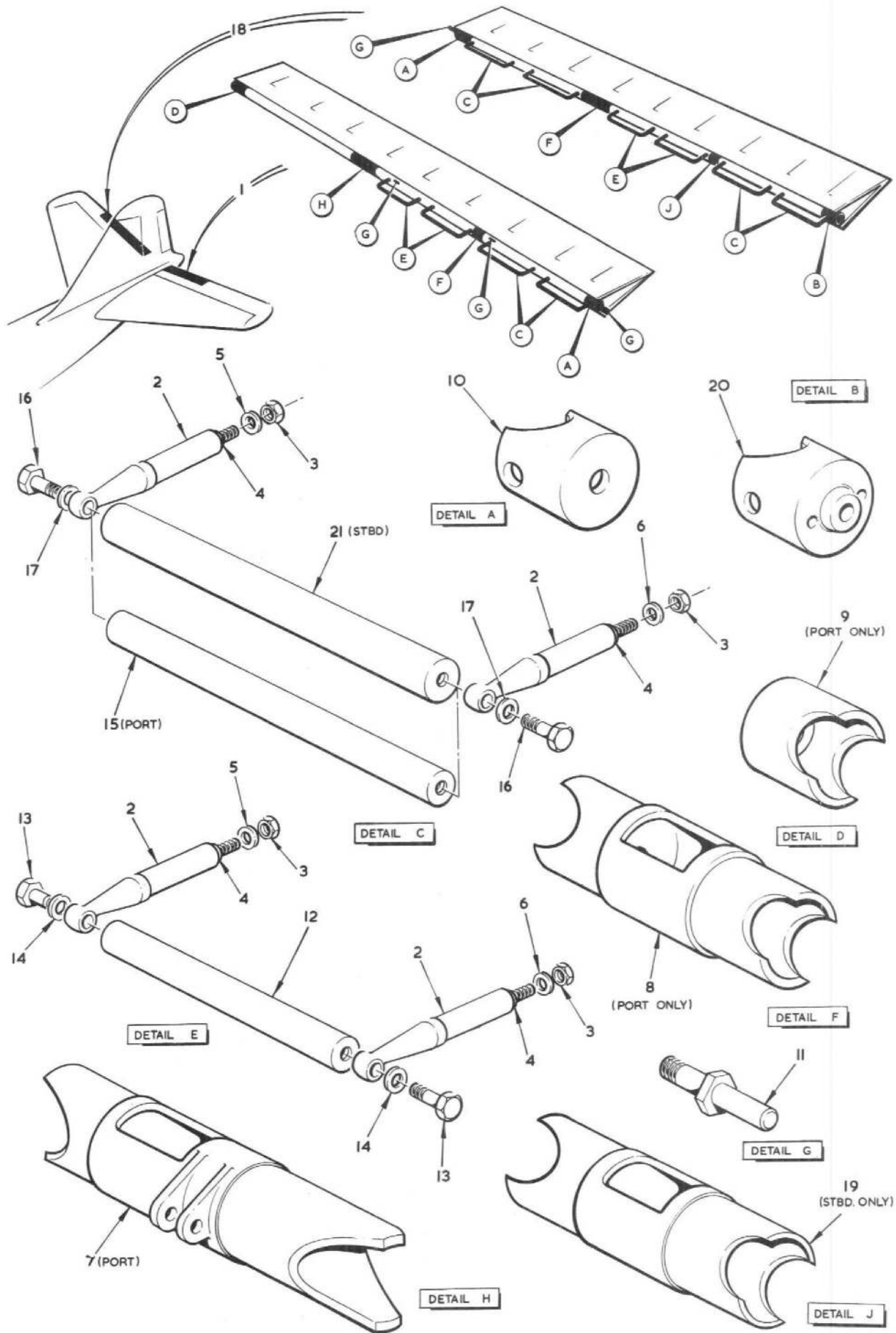


FIG. 7 TAIL UNIT AND ELEVATORS
Restricted



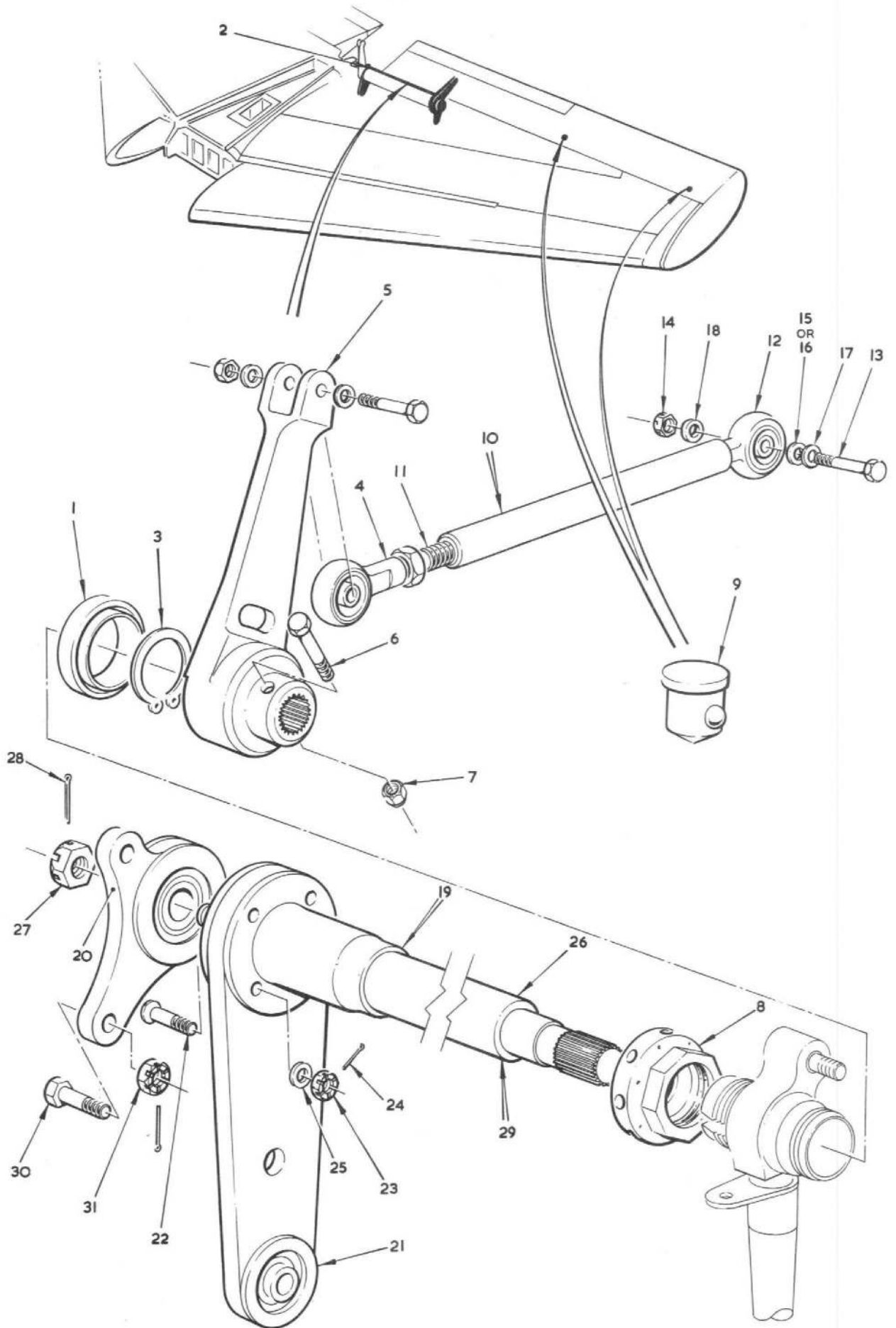


FIG. 8 TAIL UNIT & ELEVATORS
Restricted



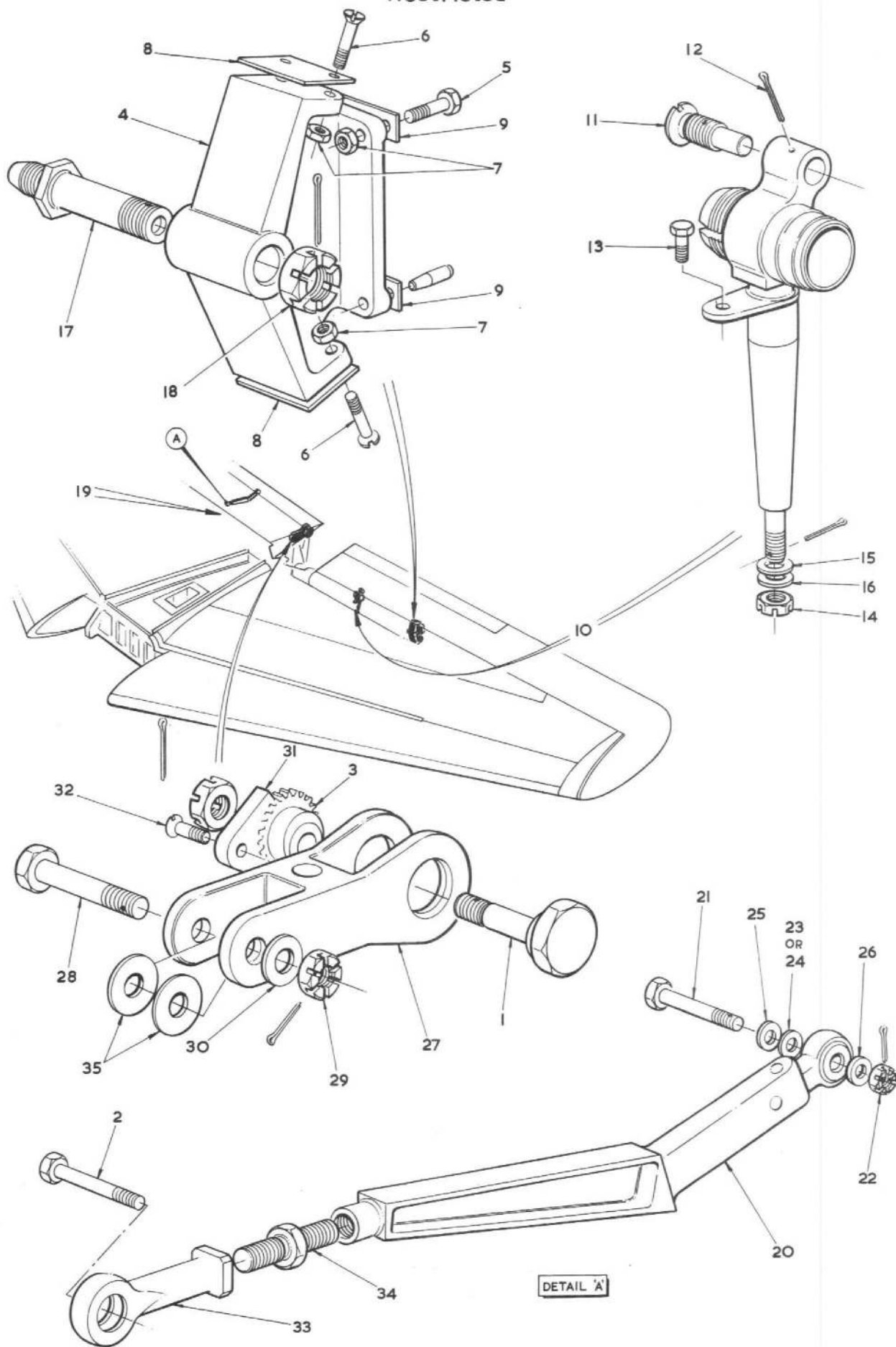


FIG. 9 TAIL UNIT AND ELEVATORS
Restricted



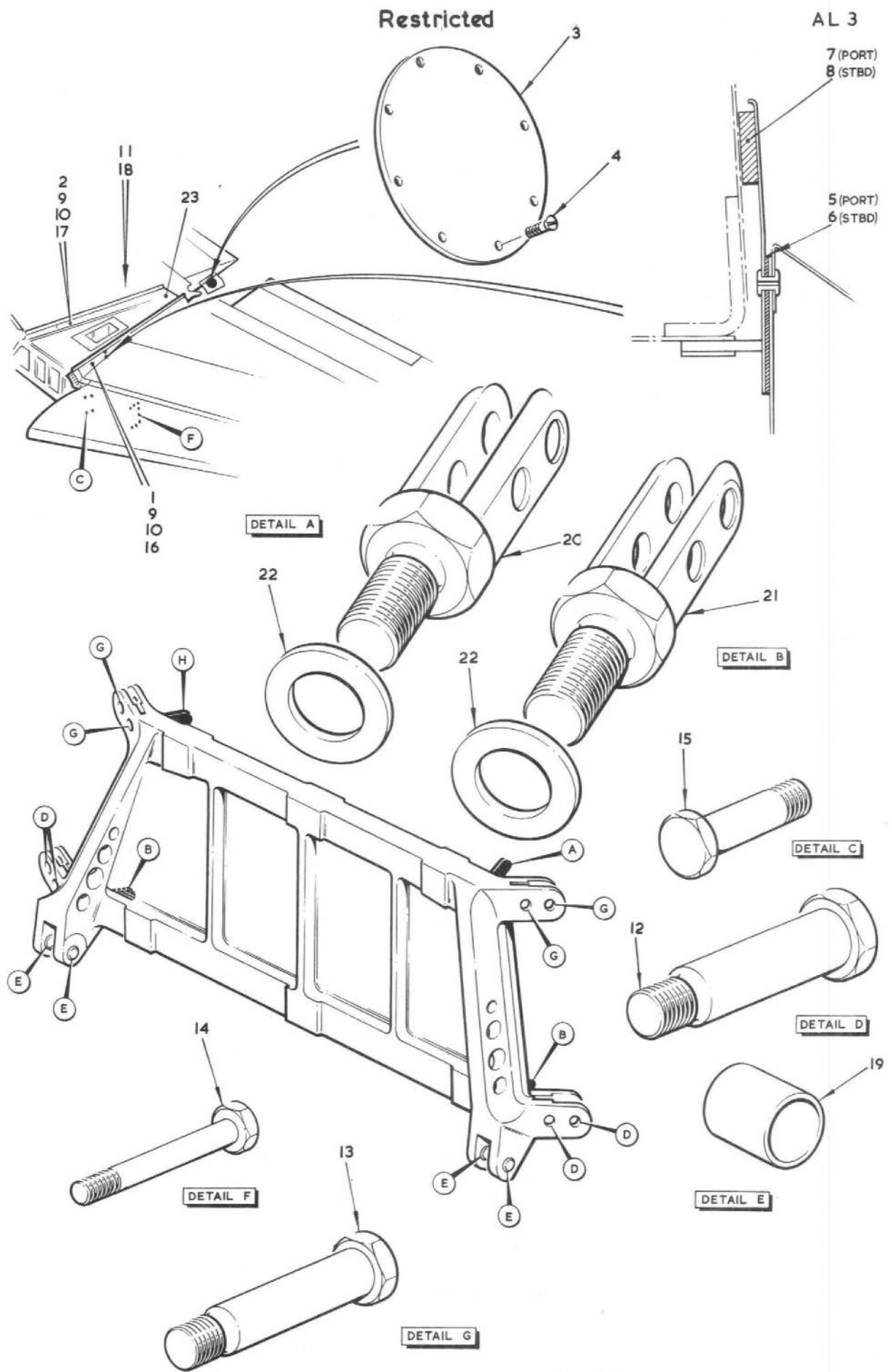
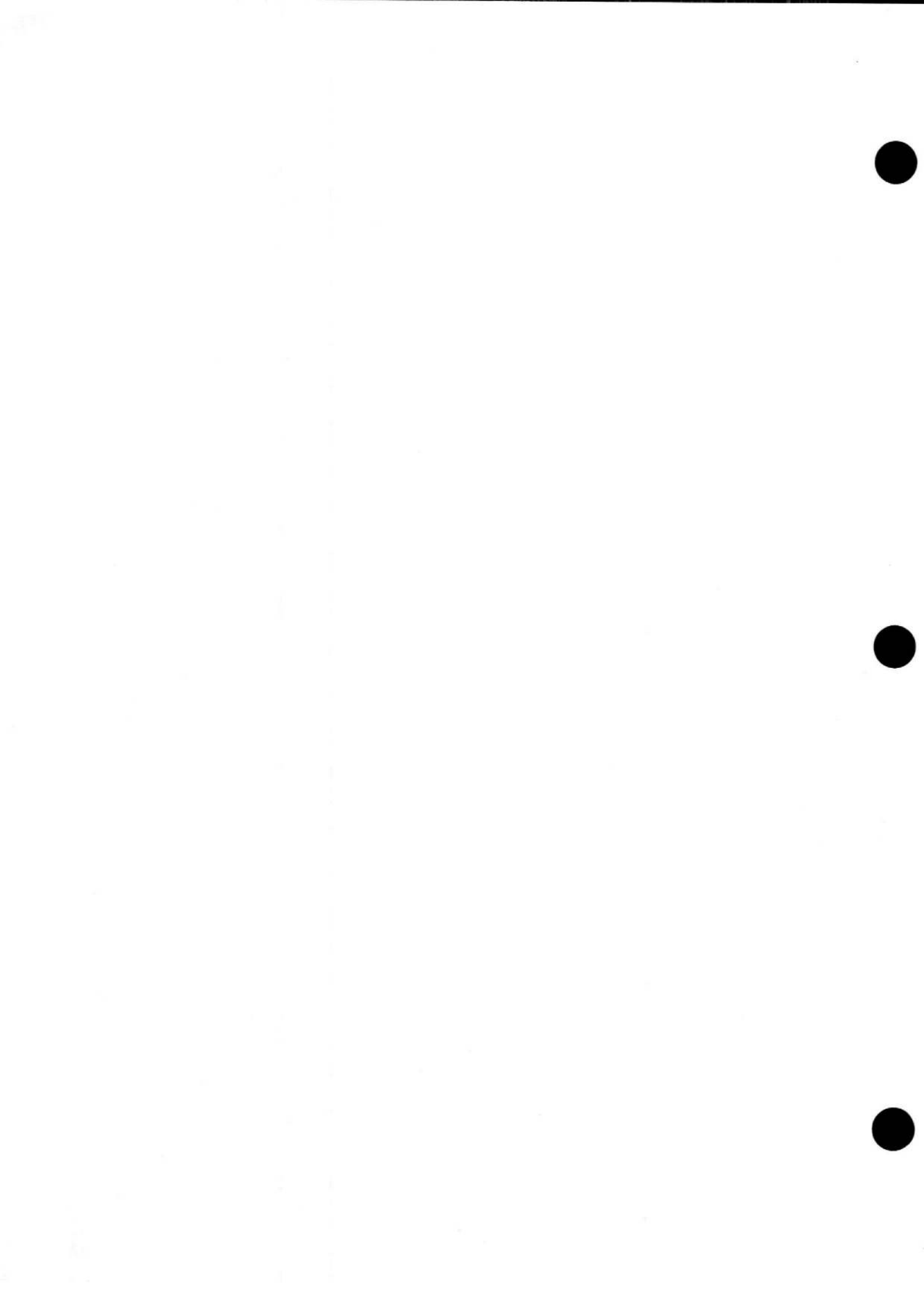


FIG.10 TAIL UNIT & ELEVATORS
Restricted



Restricted

AL 3

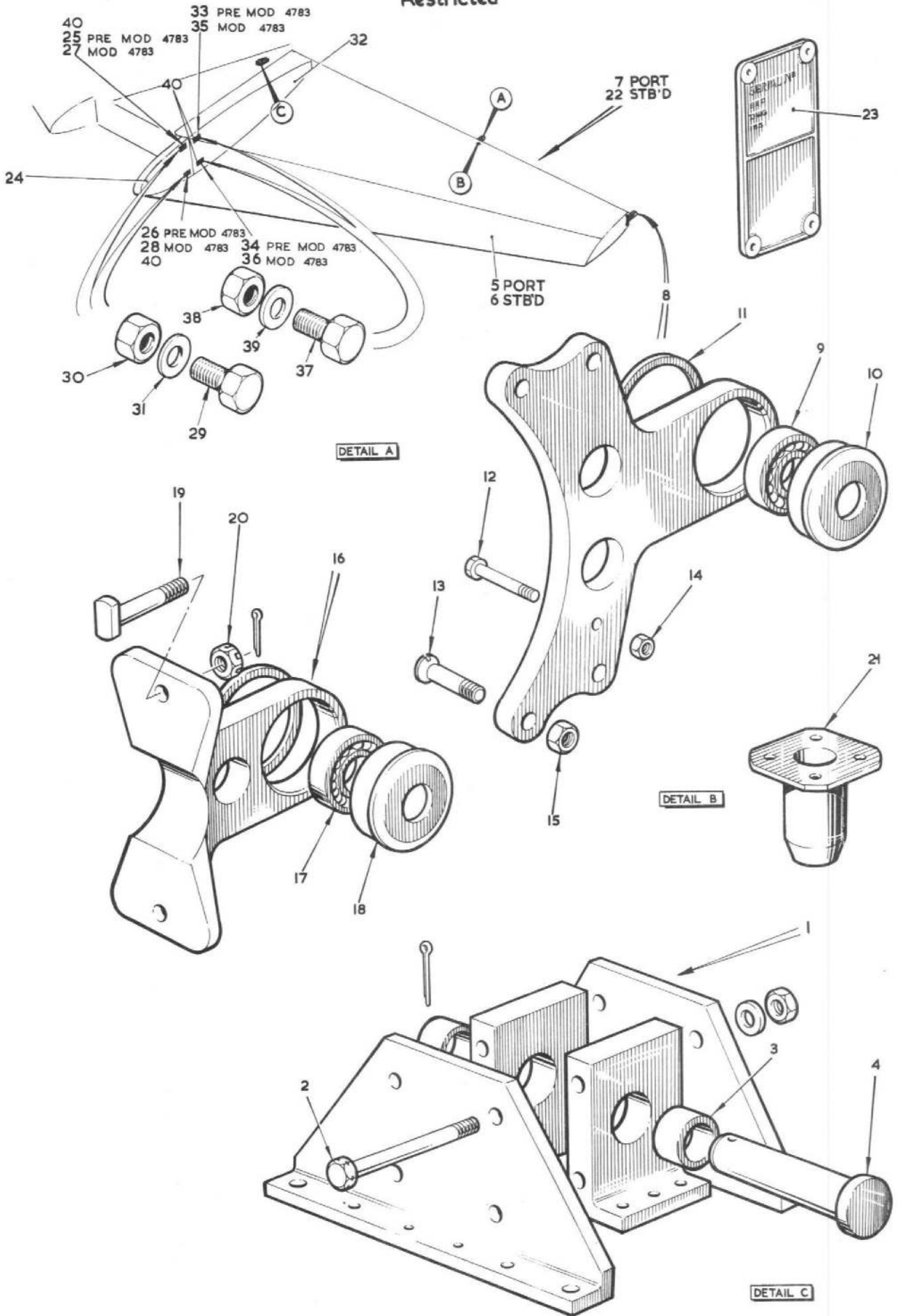


FIG. II TAIL UNIT AND ELEVATORS

Restricted



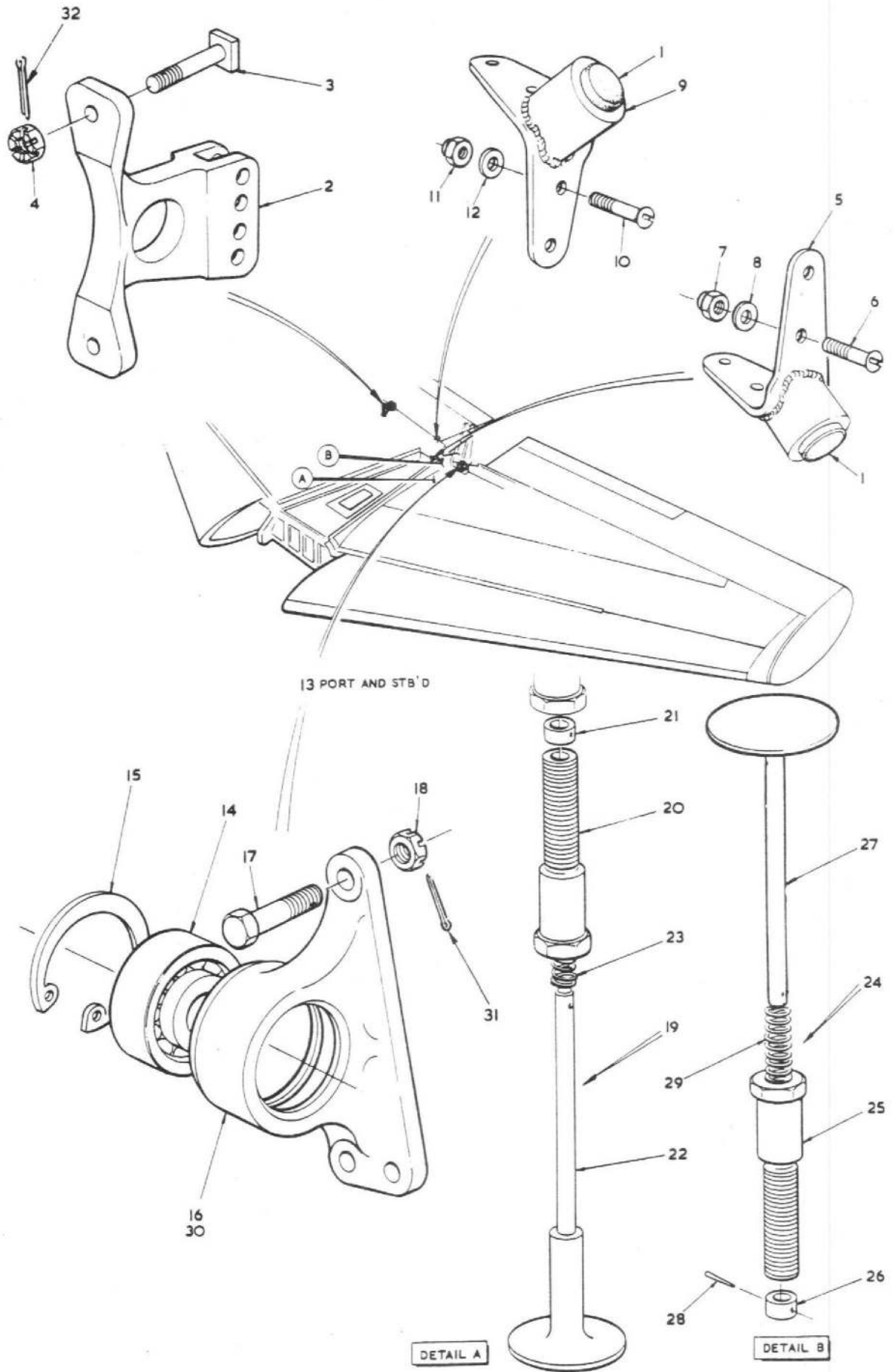
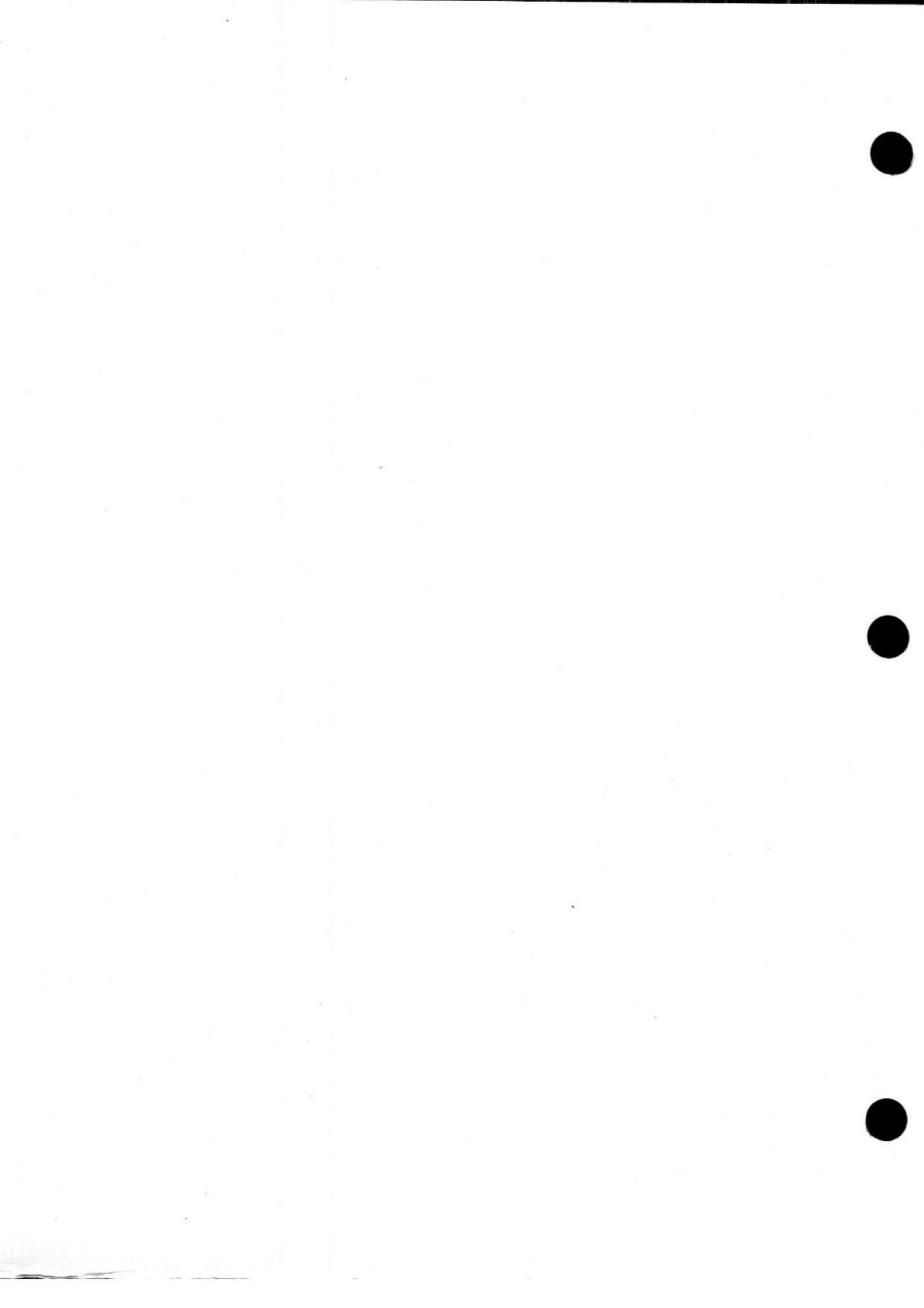


FIG.12 TAIL UNIT AND ELEVATORS



This file was downloaded
from the RTFM Library.

Link: www.scottbouch.com/rtfm

Please see site for usage terms,
and more aircraft documents.

