

TANKS  
JETTISON WING FUEL TANK, PORT

Part Number	Description	No. Off	Matl. Spec.	Plate No.	
					1
EB6.00.347	TANK, 250 GALLON, JETTISONABLE, WING FUEL, INSTALLATION (LESS DETONATORS) WITH VORTEX GENERATORS, PORT GROUP Consisting of:—	1	—	1/1	
—	. ATTACHMENT DETAILS, DROP TANK TO WING (EA1.00.81) Consisting of:—	—	—	1/2	
EA1.20.2031	. . . BOLT, explosive	3	L40	1/3	
EA1.81.317	. . . DETONATOR, FORWARD, EXPLOSIVE BOLT, ASSEMBLY Consisting of:—	1	—	1/4	
EA3.81.353	. . . . DETONATOR	1	—	1/5	
EA1.81.939	. . . . PLUG, detonator	1	—	1/6	
EEAS146-20	. . . . SLEEVE, 1" x 1/2"	2	—	1/7	
EEAS146-6-1	. . . . SLEEVE, 3" x 1/2"	1	—	1/8	
EA1.81.938	. . . . SPRING	1	—	1/9	
Z19924	. . . . TAG, quick release	2	—	1/10	
Z19979	. . . . THIMBLE	2	—	1/11	
EA1.81.428	. . . . TUBE, detonator	1	—	1/12	
†	. . . . TUBE, rubber	QR	—	1/13	
EA1.81.318	. . . DETONATOR, REAR, OUTBOARD EXPLOSIVE BOLT, ASSEMBLY Spares for this assembly are identical with those for assembly Pt. No. EA1.81.317	1	—	1/14	
EA1.81.599	. . . DETONATOR, REAR, INBOARD EXPLOSIVE BOLT, ASSEMBLY Spares for this assembly are identical with those for assembly Pt. No. EA1.81.317	1	—	1/15	
AGS2002/Q/1	. . . NUT, stiff, 5/8" BSF	3	—	1/16	
EA1.57.1239	. . . PIPE, air break, c/w stop	1	—	2/1	
EA1.57.1241	. . . PIPE, fuel break, c/w stop	1	—	2/2	
EA1.20.10505	. . . WASHER, special, explosive bolt	3	DTD124	1/17	
EA1.20.8833	. . . WASHER, special, explosive bolt	3	L40	1/18	
EA3.62.217	. TANK, DROP (LESS ATTACHMENTS), ASSEMBLY Spares for:—	1	—	1/19	
EA3.62.113	. . . BLOCK, contact, navigation light Attaching parts for EA3.62.113:—	1	—	1/20	
A33/B16	. . . Screw, 4 BA c'sk head	2	—	1/21	
EA3.62.151	. . . BODY, adapter, for filler cap Attaching parts for EA3.62.151:—	1	—	1/22	
AS4563/1C	. . . Bolt, 2 BA c'sk head	18	—	1/23	
EA2.62.57	. . . Ring, nut	1	—	1/24	
EA2.62.71	. . . Washer, sealing	1	—	1/25	

TANKS  
JETTISON WING FUEL TANK, PORT

Part Number	Description	No. Off	Mati. Spec.	Plate No.
EA3.62.191	. . . CAP, FILLER, C/W INWARD VENT VALVE, ASSEMBLY Spares for:—	1	—	1/26
EA3.62.219	. . . . RING, locking (Mod. 5239)	1	—	1/34
EA2.62.143	. . . . WASHER, sealing, filler cap	1	—	1/27
EA3.62.197	. . . . WASHER, sealing, vent valve head	1	Hycatrol 257	1/28
—	. . . FUEL PIPE, AND MOUNTING, ASSEMBLY (EA2.62.73) Spares for:—	—	—	2/3
EA1.62.227	. . . . CLIP, bottom, air pipe	1	—	2/4
EA2.62.229	. . . . CLIP, bottom, fuel pipe	1	—	2/5
AGS605/0	. . . . CLIP, top, air pipe (Pre-Alt. R60/91—Mod. 5102)	1	—	2/6
or				
SP91/C	. . . . CLIP, pipe (Alt. R60/91—Mod. 5102)	1	—	2/6
SP91J	. . . . CLIP, tap, fuel pipe	1	—	2/7
EEAS164/20/25	. . . . HOSE, fuel break pipe, 1-1/4" i/d x 1-5/8" o/d x 3" long	1	DTD625 Type 1	2/8
EEAS164/8/28	. . . . HOSE, air break pipe, 1/2" i/d x 24/32" o/d x 2".8 long	1	DTD625 Type 1	2/9
5L9952431	. . . LAMP, filament	1	—	2/10
7733	. . . LAMP, navigation, type B Attaching parts for 5CX/4330018:—	1	—	2/11
AGS2002/A/1	. . . Nut, stiff, 6 BA	4	—	2/12
EA3.62.77	. . . PANEL, access, top skin Attaching parts for EA3.62.77:—	1	—	2/13
AS1248/1C	. . . Bolt, 2 BA mushroom head	18	—	2/14
EA2.62.57	. . . Ring, nut	1	—	2/15
EA2.62.71	. . . Washer, sealing	1	—	2/16
EA3.62.115	. . . SEAL, 'P' (Pre-Mod. 5282) (Make from EEAS121) (26FZ/4432)	1	—	2/23
EA3.62.223	. . . SEAL, 'P' (Mod. 5282) (Make from EEAS843) (26FZ/6147758)	1	—	2/23
EA3.62.189	. . . SOCKET, EARTHING, ASSEMBLY Consisting of:—	1	—	2/17
EA3.62.181	. . . . CAP, sealing	1	L40	2/18
EA3.62.177	. . . . SOCKET, earth plug	1	L40	2/19
EA3.62.183	. . . . SPRING	1	DTD215	2/20
	Attaching parts for EA3.62.189:—			
4100/4/3/8	. . . Screw, self-tapping, c'sk head	6	—	2/21
EA3.62.185	. . . Washer, sealing	1	Neo-K-Tex	2/22
EA1.20.10897	. . . VALVE, DRAIN, GROUP Spares for:—	1	—	2/24
EA1.20.10901	. . . . PLUG, DRAIN, ASSEMBLY Spares for:—	1	—	2/25
EA1.20.10903	. . . . . PLUG, housing	1	L40	2/26
EA1.20.10907	. . . . . PLUG, 3/4" BSP	1	L40	2/27
EA1.20.10905	. . . . . RING, hycatrol	1	Grade HE4	2/28
EA3.62.117	. . . WASHER, special 1/32"	50	Retrolite	2/29
EA1.20.2903	. . . WASHER, sealing		Neo-K-Tex	21/30
EA1.62.59	. . . WASHER, sealing, bolt housing	3	—	1/29
EA2.62.61	. . . WASHER, sealing, bolt housing	3	—	1/30

TANKS  
JETTISON WING FUEL TANK, STARBOARD

Ref. No.	Part No.	Description	No. off	Matl. Spec.	Cl. of Equip. M.R. L.M.	Fig. and Index
14718	E.B6.00.348	TANK, 250 GALLON, JETTISONABLE, WING FUEL, INSTALLATION (LESS DETONATORS) WITH VORTEX GENERATORS, STARBOARD, GROUP Consisting of:—	1	—	A	1/31
	—	ATTACHMENT DETAILS, DROP TANK TO WING (E.A1.00.82) Spares for this assembly are identical with those of assembly Pt. No. E.A1.00.81 on page Q1	—	—	—	1/32
	E.A3.62.218	TANK, DROP (LESS ATTACHMENTS), ASSEMBLY Spares for this assembly are identical with those of assembly Pt. No. E.A3.62.217 on page Q1 except for the following deletions and additions Delete:—	1	—	—	1/33
	—	FUEL PIPE, AND MOUNTING ASSEMBLY (E.A2.62.73)	—	—	—	2/3
R 5CX/4330018	—	LAMP, navigation, type B Add:—	1	—	B	2/11
	—	FUEL PIPE, AND MOUNTING ASSEMBLY (E.A2.62.74) Spares for this assembly are identical with those of Pt. No. E.A2.62.73 on page Q2	—	—	—	2/31
R 5CX/1043420	—	LAMP, navigation, type B	1	—	B	2/32



AP101B-0418-3A

## TANKS

## 300 GALLON FUEL TANK

Part Number	Description	No. Off	Mati. Spec.	Plate No.
-	TANK, FUEL, 300 GALLON, FORWARD POSITION, INSTALLATION (EG9.56.1) (MOD 4473) Spares for:—	-	-	
EA3.56.261	. BRACKET, AND STRAP, ASSEMBLY Spares for:—	4	-	3/1
EA3.56.361	. . BRACKET, sub-assembly	1	-	3/2
EA3.56.467	. . LINK, plate	2	-	3/3
EA3.56.363	. . STRAP, tank	1	-	3/4
	. Remove existing nuts, bolts and washers from EA3.56.261, Ref. 12601 and replace with:— Attaching parts for EA3.56.261:—			
A59/38J	. Bolt, 3/8" BSF hex head, close tolerance	1	-	3/5
A59/38L	. Bolt, 7/16" BSF hex head, close tolerance	1	-	3/6
A59/47N	. Bolt, 1/2" BSF hex head, close tolerance	1	-	3/7
A27/JS	. Nut, 3/8" BSF slotted	1	-	3/8
A27/LS	. Nut, 7/16" BSF slotted	1	-	3/9
A27/NS	. Nut, 1/2" BSF slotted	1	-	3/10
SP90/C8	. Pin, split	1	-	3/11
SP90/E10	. Pin, split	2	-	3/12
AS2808/8/210	. Tube, distance, 1/2" o/dia x 17 SWG	1	T45 or T38	3/13
AS2808/10/210	. Tube, distance, 3/8" o/dia x 17 SWG	1	T45 or T38	3/14
SP13/J	. Washer, 3/8" BSF plain	6	-	3/15
SP13/L	. Washer, 7/16" BSF plain	6	-	3/16
SP13/N	. Washer, 1/2" BSF plain	2	-	3/17
EA3.56.45	. SCREW, trunnion	2	S95	3/18
EG9.56.5	. TANK, FUEL, 300 GALLON AUXILIARY, ASSEMBLY (MOD 4473) Spares for:—	1	-	4/1
EA3.81.2689/2	. . CABLE, ASSEMBLY, CS3, FROM AFT FUEL PUMP TO AFT SUPPRESSOR, GROUP Consisting of:—	1	-	4/2
EEAS68/6	. . . ADAPTOR, reducing	1	S1	
R UNINIVINMET 12	. . . CABLE, uninivinmet 12	QR	-	
R 33H9130065	. . . CEMENT, bostik 771	QR	-	
508/1/07777/003	. . . CLAMP, cable	1	-	
Z2277/2	. . . FERRULE, unit, size Z	1	-	
AGS1747/D	. . . LUG, terminal	2	-	
508/2/07710/200	. . . RING, sealing	1	-	
508/2/07754/007	. . . RING, thrust	1	-	
EEAS148/C	. . . SLEEVE, 3/4" long	QR	-	
EEAS146/D1	. . . SLEEVE, 1" long	QR	-	
R 508-1-03945	. . . SOCKET, size Z	1	-	
or				
2CZ111436	. . . SOCKET, size Z	1	-	
R 5E9102377	. . . WIRE, tinned copper, 25 SWG	QR	-	
R 5E9516566	. . . WIRE, tinned copper, 32 SWG	QR	-	

## TANKS

## 300 GALLON FUEL TANK

Part Number	Description	No. Off	Matl. Spec.	Plate No.
EA3.81.2691/2	CABLE, ASSEMBLY, CS4, FROM FORWARD FUEL PUMP TO FORWARD SUPPRESSOR, GROUP Consisting of:—	1	—	4/3
EEAS68/6	ADAPTOR, reducing	1	S1	
UNINYVINMET 12	CABLE, uninyvinmet 12	QR	—	
33H9130065	CEMENT, bostik 771	QR	—	
508/1/07777/003	CLAMP, cable	1	—	
Z2277/2	FERRULE, cut	1	—	
AGS1747/D	LUG, terminal	2	—	
508/2/07710/200	RING, sealing	1	—	
508/2/07754/007	RING, thrust	1	—	
EEAS146/C	SLEEVE, 3/4" long	QR	—	
EEAS146/D1	SLEEVE, 1" long	QR	—	
508-1-03945	SOCKET, size Z	1	—	
or				
2CZ111436	SOCKET, size Z	1	—	
5E9102377	WIRE, tinned copper, 25 SWG	QR	—	
5E9516566	WIRE, tinned copper, 32 SWG	QR	—	
EA3.81.6027	CABLE, ASSEMBLY, CS2A, FROM FORWARD AND AFT PUMP SUPPRESSOR TO PLUG, BRACKET, FRAME 24, GROUP Consisting of:—	1	—	4/4
EEAS68/6	ADAPTOR, reducing	2	—	
UNIPREN 24	CABLE, unipren 24	QR	—	
33H9130065	CEMENT, bostik 771	QR	—	
Z2138963	FERRULE, cut	1	—	
508/2/07721/200	GASKET, union	2	—	
AGS1747/D	LUG, terminal	4	—	
508/2/08658/003	NUT, union	2	—	
508/2/07710/200	RING, sealing	2	—	
508/2/07754/007	RING, thrust	2	—	
EEAS146/12	SLEEVE, 3/4" long	QR	—	
EEAS146/2	SLEEVE, 1" long	QR	—	
2CZ111439	SOCKET, size B	1	—	
HV3254	STRAP, PVC	QR	—	
HV3255	STUD	QR	—	
32B1250522	THREAD, waxed linen	QR	—	
AS2398	CAP, filler, assembly Attaching parts for AS2398:—	1	—	5/1
AGS2001/C/1	Nut, stiff, 2BA	12	—	5/2
EA3.56.291	Ring, sealing	1	—	5/3
SP15/C	Washer, 2BA plain	12	—	5/4
EA3.56.119	CARTRIDGE, moisture absorber	1	—	4/5
EA3.56.107	CLIP, fuel pipe Attaching parts for EA3.56.107:—	2	L72	3/19
A25/2C	Bolt, 2BA hex head	2	—	3/20
SP13/C	Washer, 2BA plain	2	—	3/21

## TANKS

## 300 GALLON FUEL TANK

Part Number	Description	No. Off	Matl. Spec.	Plate No.	1 2 3 4 5 6					
EEAS143/26H	. . CLIP, pipe, bonding Attaching parts for EEAS143/26/H:—	2	L72	4/6						
A25/1C	. . Bolt, 2 BA hex. head	1	—	4/7						
A27/CP	. . Nut, 2 BA plain	1	—	4/8						
SP47/C	. . Washer, 2 BA spring	1	—	4/9						
EEAS21/9/ERH	. . Washer, 'D'	1	L72	4/10						
AGS1104/B	. . CONE, adapter, for drain pipes	2	—	4/11						
EA3.56.171	. . CONTAINER, cartridge Attaching parts for EA3.56.171:—	1	L59	4/12						
A25/3C	. . Bolt, 2 BA hex. head	10	—	4/13						
EA3.56.103	. . Plate, stiffener	1	L72	4/14						
EA3.56.117	. . Ring, sealing	2	Neo-K-Tex	4/15						
DOWTY SP815/2	. . Seal, bonded	10	—	4/16						
EA3.56.81	. . COVER, plate access, tank end Attaching parts for EA3.56.81:—	2	L72	3/22						
AGS2001/C/1	. . Nut, stiff, 2 BA	14	—	3/23						
EA3.56.83	. . Ring, sealing	1	Neo-K-Tex	3/24						
SP15/C	. . Washer, 2 BA plain	14	—	3/25						
EEAS164/16/25	. . HOSE, rubber, 1" i/d x 1.3/8" o/d x 2.1/2" long	1	DTD625 Type 1	4/17						
EG9.56.13	. . HOUSING, trunnion (Mod 4473) Attaching parts for EG9.56.13:—	1	L65	5/5						
A25/4C	. . Bolt, 2 BA hex. head	12	—	5/6						
EG9.56.21	. . Ring, sealing (Mod 4473)	1	Neo-K-Tex	5/7						
DOWTY SP815/2	. . Seal, bonding	12	—	5/8						
F.R. Ltd. 3508000/204	. . INDICATOR, magnetic, fluid level (Mod 4473) Attaching parts for 3508000/204:—	1	—	5/9						
A25/2E	. . Bolt, 1/4" BSF hex. head	8	—	5/10						
AGS2001/E/1	. . Nut, stiff, 1/4" BSF	8	—	5/11						
EG9.56.15	. . Ring, sealing (Mod 4473)	1	Neo-K-Tex	5/12						
SP13/E	. . Washer, 1/4" BSF plain	8	—	5/13						
EA3.56.287	. . LEAD, BONDING, ASSEMBLY Consisting of:—	1	—	4/18						
UNINYVIN 16	. . CABLE, Uninyvin 16	QR	—							
†	. . SLEEVE, 3/4" long	QR	—							
ROSS COURTNEY No.18	. . TAG	1	—							
HC302	. . TAG	1	—							
703/2/00340/020	. . THIMBLE	1	—							
AGS1142/J	. . NIPPLE, adapter	4	—	4/19						
EA3.56.283	. . PIPE, assembly, from starboard non-return valve to forward fuel pump	1	L56	4/20						

R

## TANKS

## 300 GALLON FUEL TANK

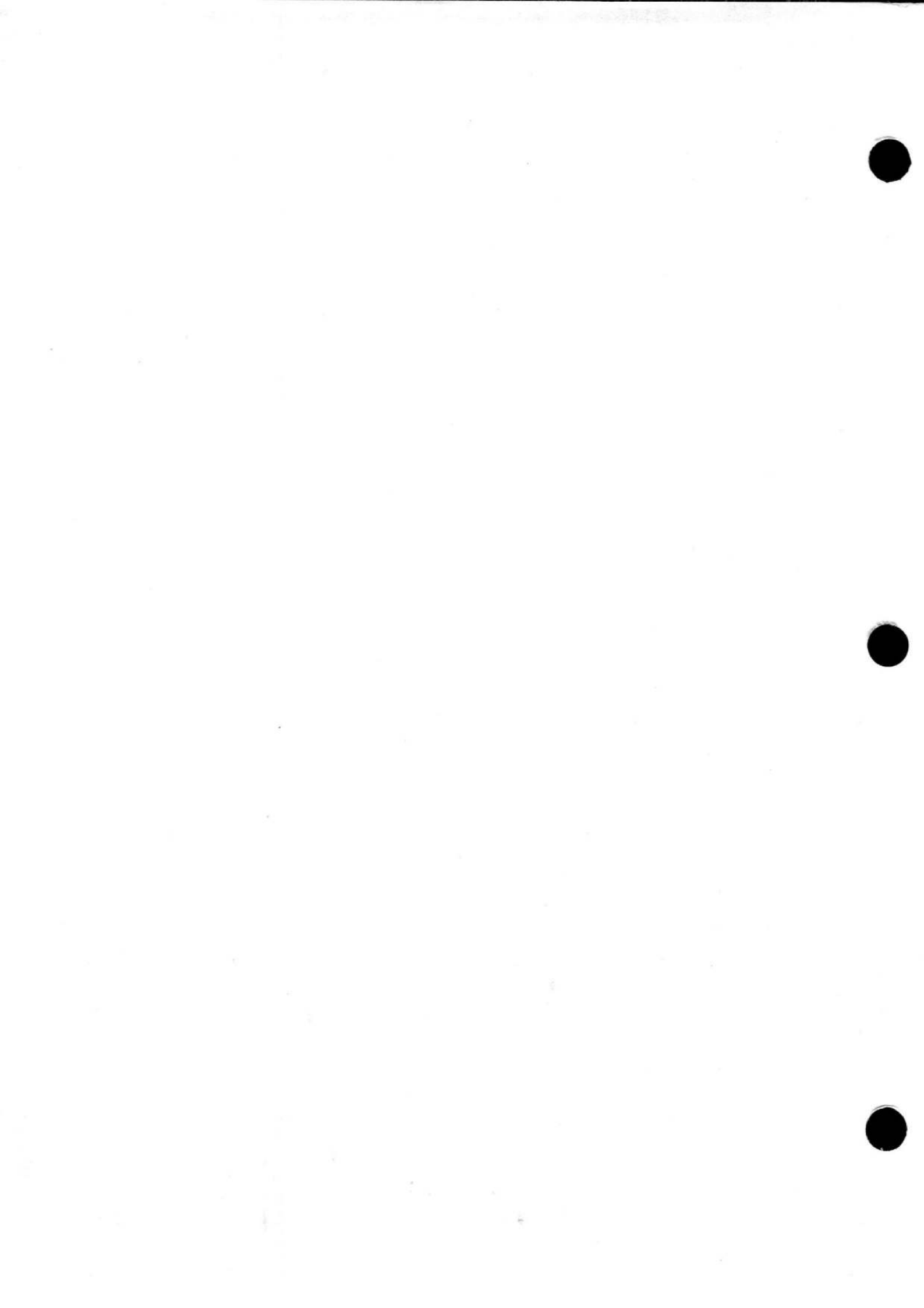
Part Number	Description	No. Off	Matl. Spec.	Plate No.
EA3.56.285	. . PIPE, assembly, from port non-return valve to aft fuel pump	1	L56	4/21
EA3.57.5057	. . PIPE, assembly, from hose connection at frame 19 to port non-return valve	1	L56 or L54	4/22
EA3.57.5059	. . PIPE, assembly, from hose connection at frame 19 to starboard	1	L56 or L54	4/23
EA3.57.5071	. . PIPE, assembly, fuel vent, from tank vent pipe hose coupling to hose coupling at frame 22	1	L56 or L54	4/24
EA3.56.433	. . PIPE, assembly, fuel pump drain	2	L56	4/25
EG9.56.27	. . PLATE, dished mounting (Mod 4473) Attaching parts for EG9.56.27:—	1	L72	5/14
A25/4C	. . Bolt, 2 BA hex. head	20	—	5/15
EG9.56.17	. . Ring, sealing (Mod 4473)	1	Neo-K-Tex	5/16
DOWTY				
SP815/2	. . Seal, bonded	20	—	5/17
PULSOMETER				
PUL 1003-Mk.5	. . PUMP, fuel Attaching parts for PUL 1003-Mk.5:—	2	—	4/26
AGS2001/C/1	. . Nut, stiff, 2 BA	14	—	4/27
EA3.56.83	. . Ring, sealing	1	Neo-K-Tex	4/28
SP15/C	. . Washer, 2 BA plain	14	—	4/29
EEAS66/3	. . RING, clamping, vent pipe hose coupling	2	L72	4/30
EG9.56.9	. . RING, reinforcing assembly (Mod 4473)	1	L72	5/18
EG9.56.11	. . RING, reinforcing assembly (Mod 4473)	1	L72	5/19
EG9.56.7	. . RING, sealing (Mod 4473)	1	Neo-K-Tex	5/20
EG9.56.19	. . RING, sealing (Mod 4473)	1	Neo-K-Tex	5/21
EA3.56.477	. . SUMP, tank, assembly Attaching parts for EA3.56.477:—	1	—	4/31
A25/4C	. . Bolt, 2 BA hex head	34	—	4/32
DOWTY				
SP815/2	. . Seal, bonded	34	—	4/33
EA3.56.479	. . Seal, tank sump	1	Neo-K-Tex	4/34
SP15/C	. . Washer, 2 BA plain	34	—	4/35
5CY4376390	. . SUPPRESSOR, type D, No. 2 Attaching parts for 5CY/4376390	2	—	4/36
A39/B20	. . Screw, 4 BA cheese head	4	—	4/37
AS2573	. . VALVE, drain, assembly Attaching parts for AS2573:—	1	—	5/22
AGS2001/C/1	. . Nut, stiff, 2 BA	8	—	5/23
SP15/C	. . Washer, 2 BA plain	8	—	5/24
AS410	. . Washer, jointing	1	—	5/25

A.P.101B-0418-3A

Page QB5

TANKS  
300 GALLON FUEL TANK

Ref. No.	Part No.	Description	No. off	Matl. Spec.	Cl. of Equip. M.R. L.M.	Fig. and Index
R R	28Y/1036652	AS.4760				4/38
	27F/4526771	SELF PRIMING P.24A-Mk. 3				4/39
	12607	E.A3.56.47		S.95	C	3/26
	12608	E.A3.56.49		S.95	C	3/27



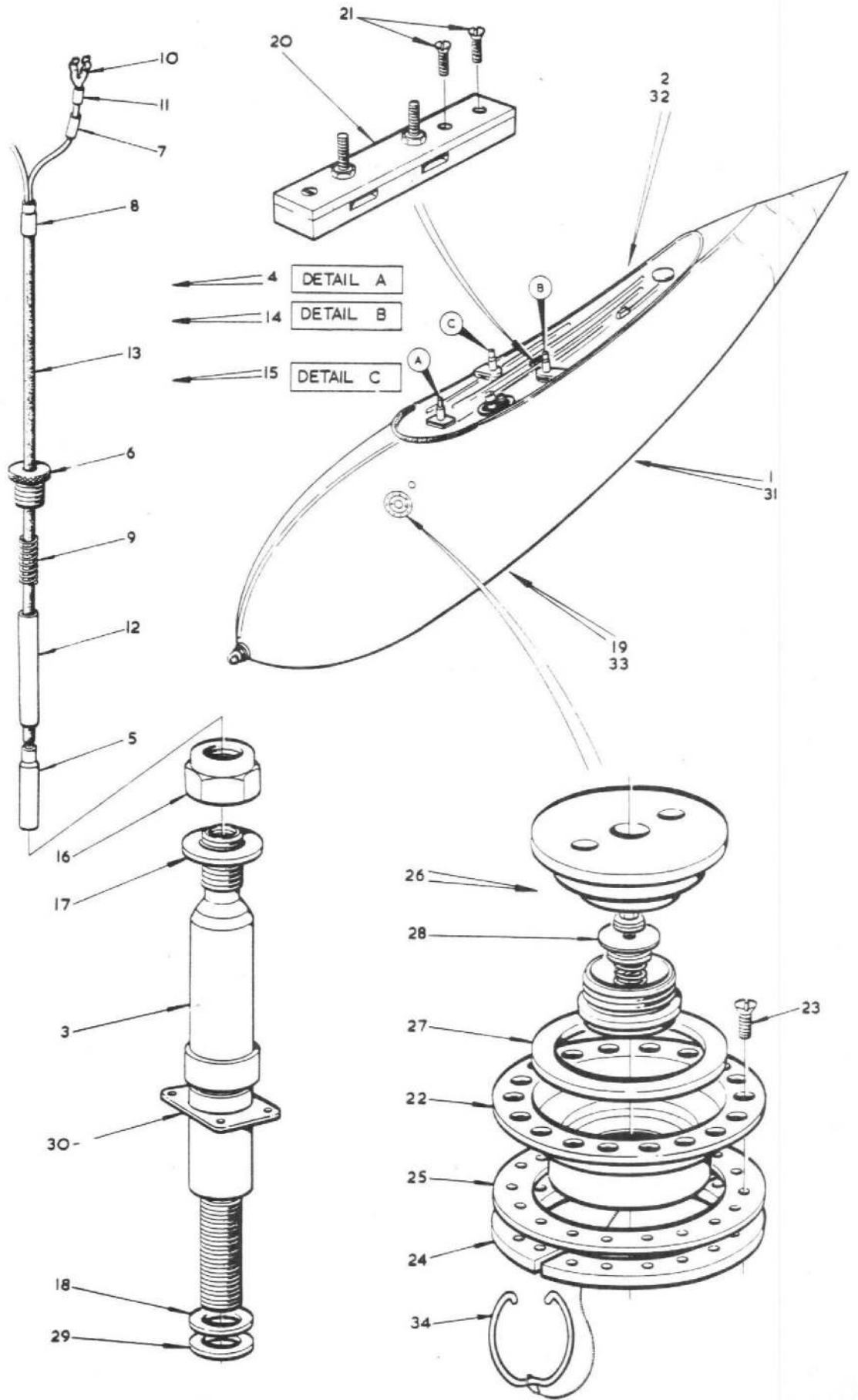


FIG 1 JETTISON WING FUEL TANK PORT & STBD



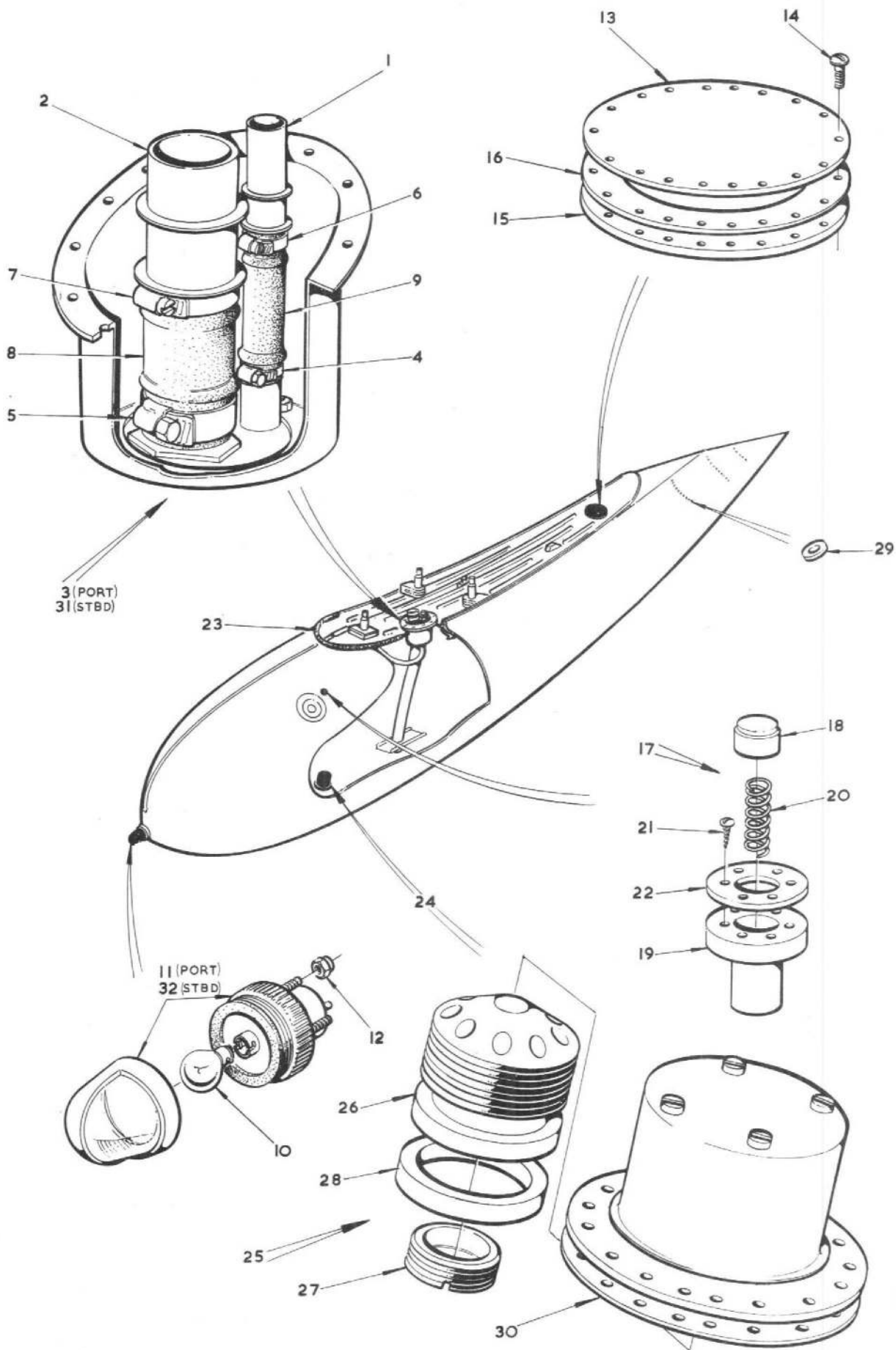


FIG 2 JETTISON WING FUEL TANK PORT & STBD  
Restricted



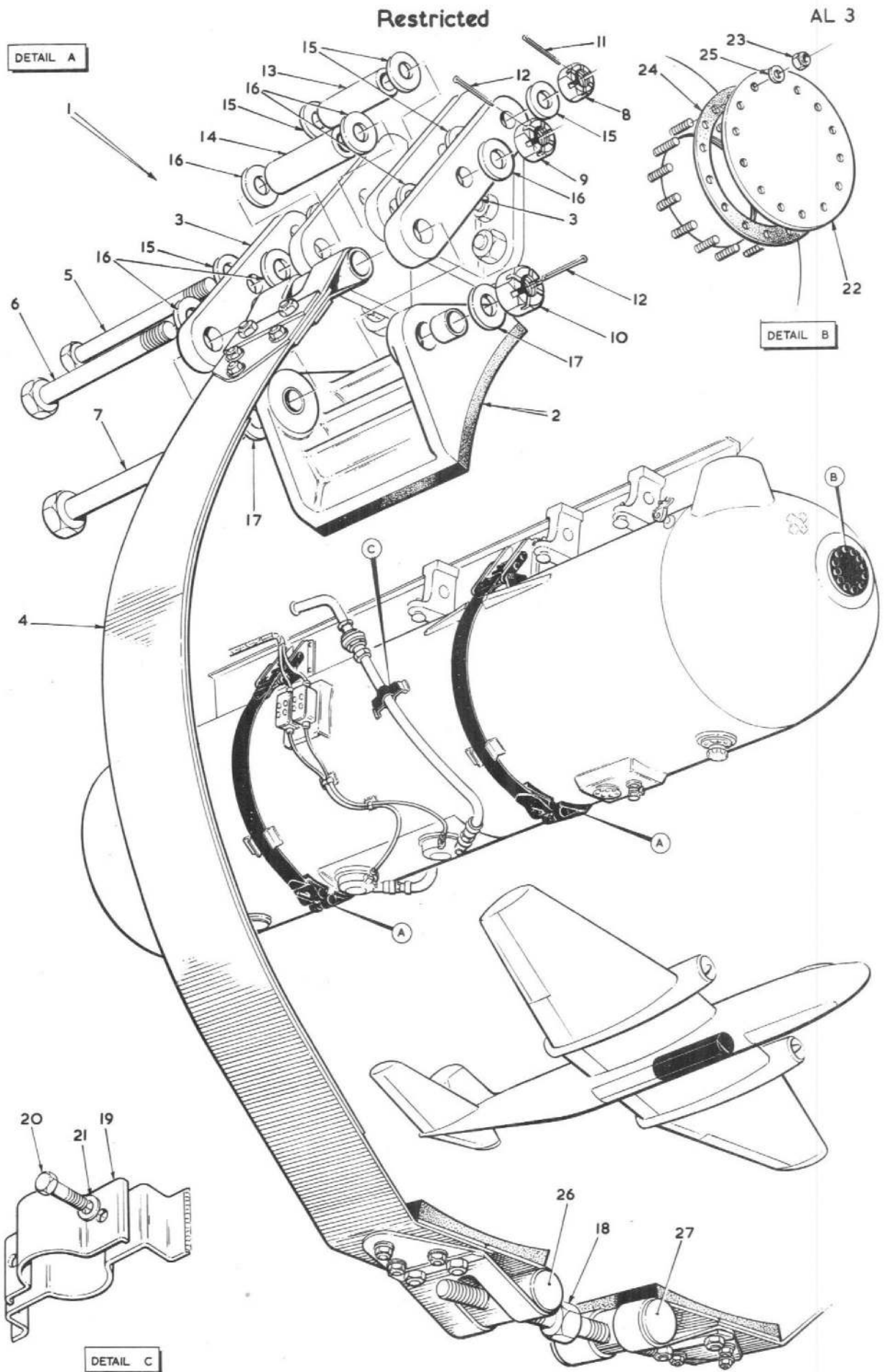


FIG. 3 300 GALLON FUEL TANK  
Restricted



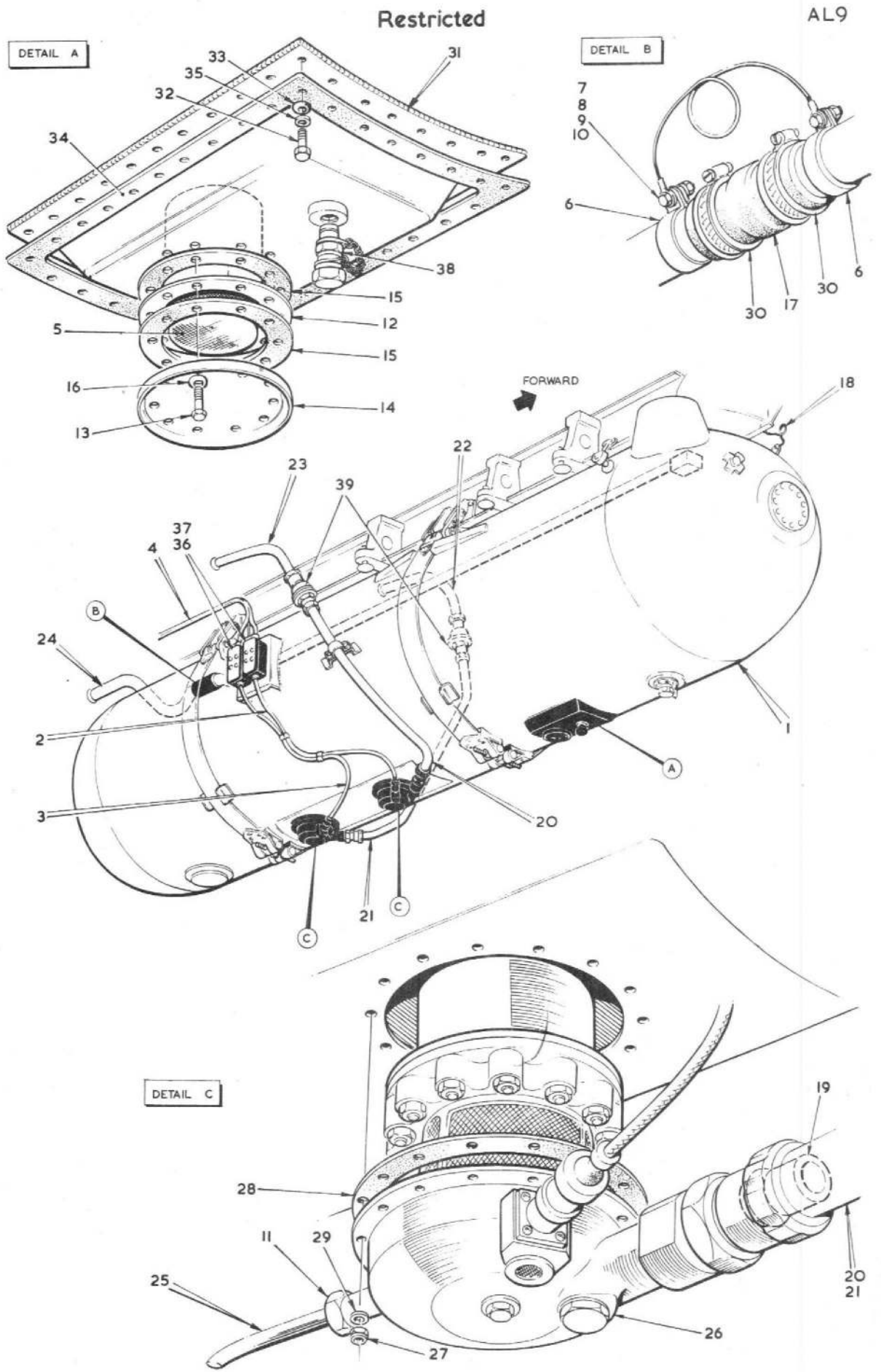
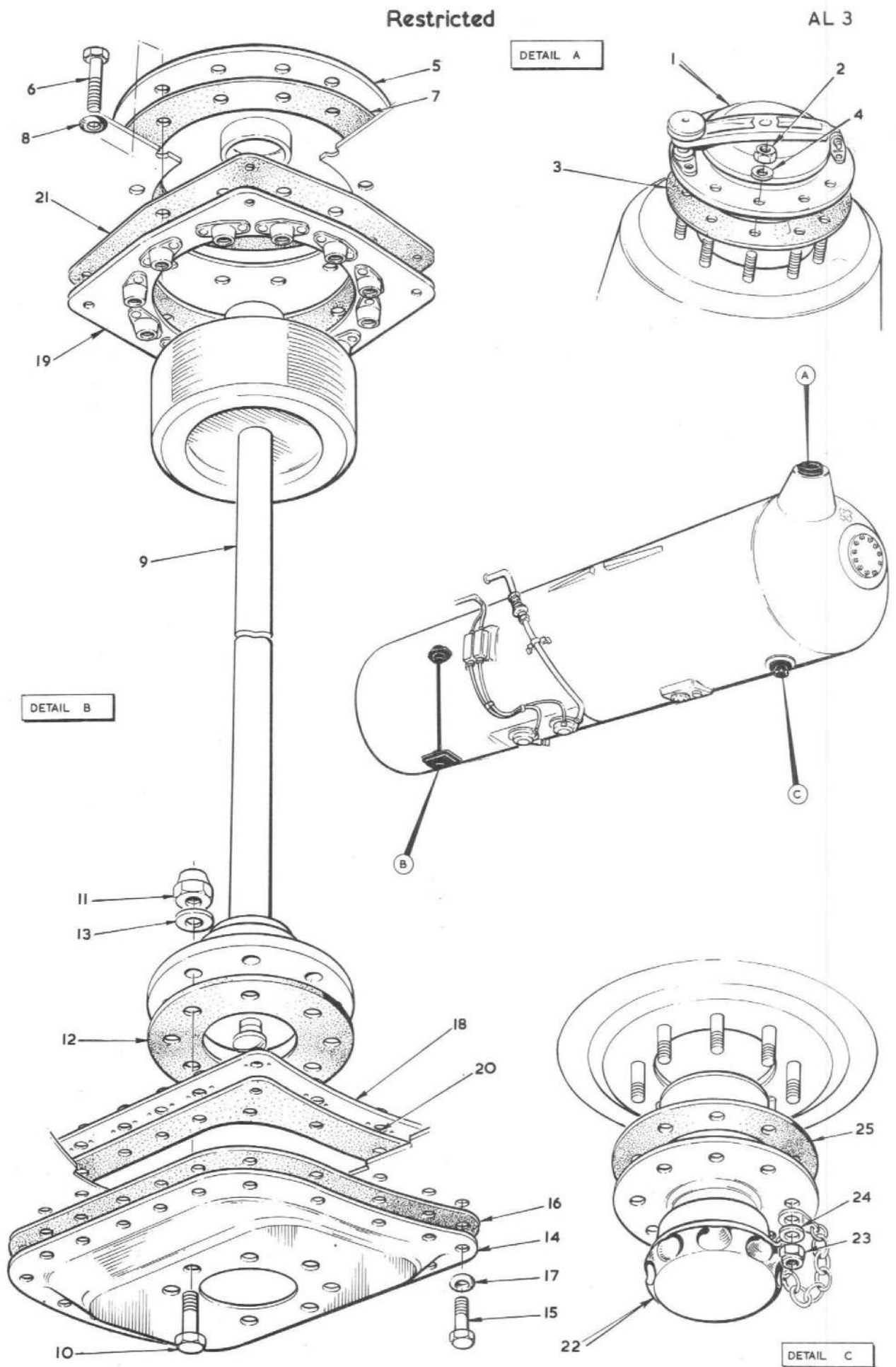


FIG. 4 300 GALLON FUEL TANK  
Restricted





**FIG. 5 300 GALLON FUEL TANK**  
Restricted



This file was downloaded  
from the RTFM Library.

Link: [www.scottbouch.com/rtfm](http://www.scottbouch.com/rtfm)

Please see site for usage terms,  
and more aircraft documents.

