

UNDERCARRIAGE
MAIN UNDERCARRIAGE PORT

Part Number	Description	No. Off	Matl. Spec.	Plate No.
EA1.40.1	MAIN UNDERCARRIAGE PORT ASSEMBLY Consisting of:-	1	-	
EA3.40.5	. . . LEG OLEO (LESS WHEEL FIXED FAIRING AND BRAKE UNIT GROUP Consisting of:-	1	-	1/1
DUNLOP AH9597	. . . BRAKE-UNIT, (For spares see AP4515C Vol.3 Part 1 Sec. 2 Chap 37)	1	-	1/2
DUNLOP KJN16N	. . . COVER, outer 43" x 13".5 x 19" (DUNLOP DR4521 or FIRESTONE ZA341 OR ZA173 or GOODYEAR GA1209)	1	-	1/3
EA3.20.853	. . . FAIRING FIXED GROUP (Supplied with trim allowance) Spares for:-	1	-	1/4
EA3.20.2869 PANEL, HINGE ASSEMBLY Spares for:-	1	-	1/5
EA1.20.1679 HINGE (Make from 28N/10363)	1	-	1/6
EA1.20.1675 PANEL, hinge 16 SWG	1	L.72	1/7
EA1.40.435 SPRING	2	Spring Steel	1/8
EA1.20.6817 PANEL, access picket point	1	-	1/9
R EA3.20.1741 SEAL, 'P' (Pre-Mod 5282) (Make from EEAS120) (26FZ/20626)	1	-	
R EA3.20.5319 SEAL, 'P' (Mod 5282) (Make from EEAS842) (26FZ/6147759)	1	-	
R EA3.20.1627 SEAL, 'P' (Pre-Mod 5282) (Make from EEAS121) (26FZ/4432)	1	-	1/10
R EA3.20.5317 SEAL, 'P' (Mod 5282) (Make from EEAS843) (26FZ/6147758)	1	-	1/10
EA3.40.233	. . . LEG SLIDING AND OLEO HEAD GROUP Spares for:-	1	-	2/1
EA6.40.35 BOLT, brake unit securing	10	S.97	3/1
EA1.40.153 BUSH, bearing torque link centre joint	4	DTD412	2/2
EA3.40.231 HEAD OLEO GROUP Spares for:-	1	-	2/3
EA1.40.89 BEARING, spherical seated ball joint side stay Attaching parts for EA1.40.89:-	1	S.11	2/4
EA1.40.101 Bush, bearing	1	DTD412	2/5
EA1.40.95 Ring, cover retaining ball joint	1	DTD124	2/6
EA1.40.97 Ring, upper retaining ball joint	1	DTD124	2/7
EA1.40.99 Stud retaining rings	12	S.11	2/8
EA9.40.63 BUSH, pivot	2	DTD412	2/9
EA1.40.111 BUSH, torque link Attaching parts for EA1.40.111:-	2	DTD412	2/10
EA1.40.679 Plug, bearing bush retaining	1	L.40	2/11
EA1.40.133 DISC, sealing piston dowel plug Attaching parts for EA1.40.133:-	2	L.40	2/12
EA1.40.625 Screw, retaining plug down seal	1	L.40	2/13

UNDERCARRIAGE
MAIN UNDERCARRIAGE PORT

Part Number	Description	No. Off	Matl. Spec.	Plate No.	
					1
EA1.40.131 DOWEL, piston	2	S.11	2/14	
EA9.07.35 HEAD, oleo forging (EA9.40.55)	1	DTD5094	2/15	
EA1.40.103 HOOK, 'S' shaped, 16 SWG	2	MS	2/16	
EA1.40.127 PIPE, stack assembly Attaching parts for EA1.40.127:-	1	-	2/17	
AGS1138B Washer, jointing	1	-	2/18	
EA1.40.17 PISTON OPERATING GROUP Consisting of:-	1	-	2/19	
EEAS37/22A NIPPLE, 2 BA	2	S.11	2/20	
EA1.40.647 PISTON	1	DTD197	2/21	
EA1.40.649 PLATE, orifice enclosure control Attaching parts for EA1.40.649:-	1	S.11	2/22	
EA1.40.61 Bolt, special	3	S.11	2/23	
EA1.40.651 RING, piston	1	-	2/24	
EEAS38/3A SPOKE, 2 BA (Make from 28R/6328)	1	S'11	2/25	
EA1.40.117 STRUT, piston main	1	T.4	2/26	
EA1.40.155 RING, seating	2	Synthetic Rubber	2/27	
H.P. COMPS A58 VALVE, charging Attaching parts for A58:-	1	-	2/28	
AS1246/5C Bolt, 2 BA round head	1	-	2/29	
EA1.40.105 Tube, distance	1	L.40	2/30	
SP47C Washer, 2 BA spring	1	-	2/31	
AGS1138B Washer, jointing	1	-	2/32	
EA1.40.149 Washer, locking 14 SWG Attaching parts for EA3.40.231:-	1	DTD124	2/33	
EA1.40.519 Bolt, securing fixed fairing mounting brackets to leg	8	-	2/34	
SP47E Washer, 1/4" BSF spring	8	-	2/35	
EA3.40.235 LEG SLIDING COMPRESSION GROUP Consisting of:-	1	-	3/2	
EA3.40.201 BOLT, clamp axle locking	1	S.95	3/3	
EA3.40.45 BUSH, bearing	1	-	3/4	
EA1.40.161 BUSH, bearing in lug	2	DTD124	3/5	
EA3.40.13 CLAMP, AXLE GROUP Spares for:-	1	-	3/6	
EA3.40.23 BUSH	1	L.16	3/7	
EA3.40.17 CLAMP, axle body	1	-	3/8	
EA3.40.19 LINK, towing	1	-	3/9	
EA3.40.21 WASHER, tow link	1	-	3/10	
EA3.40.209 HOUSING, seals	1	L.65	3/11	
EA3.40.9 LEG, sliding c/w integral axle	1	-	3/12	
EA1.40.41 NUT, stop	1	S.11	3/13	
EA3.40.221 PIN, locking piston	3	S.97	3/14	
EA3.40.219 PISTON, sliding leg	1	DTD197	3/15	

UNDERCARRIAGE

MAIN UNDERCARRIAGE, PORT

Part Number	Description	No. Off	Matl. Spec.	Plate No.
EA1.40.175 PLATE, orifice Attaching parts for EA1.40.175:—	1	L65	3/16
EA1.40.61 Bolt, special	6	S11	3/17
EA3.40.203 PLUG, sealing	1	L40	3/18
EA1.40.677 PLUG, pivot, bearing bush, retaining	2	L40	3/19
EA1.40.45 RING, retaining felt washer Attaching parts for EA1.40.45:—	1	S3	3/20
AS1242/1B Bolt, 4 BA c'sk head	8	—	3/21
EA1.40.57 RING, piston	1	—	3/22
EA3.40.205 RING, sealing, on plug	1	Soft Rubber	3/23
EA3.40.207 RING, distance, between sealing and backing rings	1	L64	3/24
EA3.40.211 RING, sealing, seal housing	1	Soft Rubber	3/25
EA3.40.213 RING, sealing, seal housing	2	Soft Rubber	3/26
EA3.40.215 RING, backing	1	Fabric C x 18	3/27
EA1.40.657 RING, spacer, between fibre washer	1	L40	3/28
EA1.40.659 RING, shock absorber stop	1	L40	3/29
EA1.40.167 SCREW, grub, stop nut locking	1	S1	3/30
EA1.40.39 WASHER, fibre, under stop nut	1	BS216	3/31
EA1.40.43 WASHER, packing, under ring retaining x 3/16" thick	1	Hard Felt	3/32
30A9437135 WIRE, locking, 22 SWG	QR	DTD189A	
EA1.40.467 LEVER, COWL DOOR MECHANISM, GROUP Spares for:—	1	—	2/36
EA1.40.465 BUSH, bearing	2	L40	2/37
EA1.40.529 LEVER, operating Attaching parts for EA1.40.467:—	1	—	2/38
EA1.40.517 Bolt, securing	4	—	2/39
EA1.40.27 LINK, torque, top Attaching parts for EA1.40.27:—	1	DTD5024	2/40
A27/SS Nut, 3/4" BSF slotted	1	—	2/41
EA1.40.69 Pin, bearing, top torque link	1	S11	2/42
EA3.40.27 Pin, bearing, torque link joint	1	S97	2/43
EA1.40.77 Screw, retaining, bearing pin	1	S11	2/44
EA1.40.139 Screw, grub, locking, top bearing pin	1	MS	2/45
EA1.40.619 Shim, bearing, pin sleeve	1	LA	2/46
EA1.40.73 Sleeve, bearing, for torque link	1	S11	2/47
EA1.40.75 Washer, bearing thrust	1	DTD412	2/48
EA1.40.79 Washer, locking, bearing pin screw	1	MS	2/49
EA1.40.83 Washer, spacing, at torque link, joint, between link bearing	1	or S515 S11	2/50
EA1.40.147 Washer, bearing, thrust	1	DTD412	2/51
EA3.40.29 Washer, at torque link joint	1	S96	2/52
EA3.40.31 Washer, at torque link joint	1	S96	2/53

UNDERCARRIAGE
MAIN UNDERCARRIAGE, PORT

Part Number	1 2 3 4 5 6	Description	No. Off	Matl. Spec.	Plate No.
EA1.40.28		. . . LINK, torque, bottom Attaching parts for EA1.40.28:—	1	DTD5024	2/54
EA1.40.67		. . . Pin, bearing, bottom torque link	1	S11	2/55
EA1.40.77		. . . Screw, retaining, bearing pin	1	S11	2/56
EA1.40.139		. . . Screw, grub, locking, bottom bearing pin	1	MS	2/57
EA1.40.619		. . . Shim, bearing, pin, sleeve	1	LA	2/58
EA1.40.71		. . . Sleeve, bearing, for torque link	1	S11	2/59
EA1.40.75		. . . Washer, bearing, thrust	1	DTD412	2/60
EA1.40.79		. . . Washer, locking, bearing pin retaining screw	1	MS	2/61
EA1.40.147		. . . Washer, bearing, thrust	1	DTD412	2/62
SP21		. . . NIPPLE, lubricating, 1/4" BSF	5	LA	2/63
A27/NS		. . . NUT, 1/2" BSF, brake unit securing	10	—	3/33
SP90/E8		. . . PIN, split, brake unit securing	10	—	3/34
EA1.40.137		. . . TAB, locking, 16 SWG Attaching parts for EA1.40.137:—	1	MS	2/64
A31/B16		. . . Screw, 4 BA cheese head	1	—	2/65
SP47/B		. . . Washer, 4 BA spring	1	—	2/66
EA3.40.43		. . . WASHER, brake unit securing	10	—	3/35
DUNLOP KJ9		. . . TUBE, inner, 43" x 13".5 x 19"	1	—	1/11
DUNLOP AH9343		. . . WHEEL, undercarriage (For spares, see AP.4515C, Vol. 3, Pt. 1 Sect. 12, Chap. 37)	1	—	1/12
or DUNLOP AH50439		. . . WHEEL, undercarriage (For spares, see AP.4515C, Vol. 3, Pt. 1, Sect. 2, Chap. 37)	1	—	
EA9.40.73		. . . STAY, SIDE, UNDERCARRIAGE, GROUP (Mod 5051) Spares for:—	1	—	4/1
EA1.40.221		. . . BOLT, connecting undercarriage operating jack	1	S65 or S81	4/2
EA1.40.239		. . . BOLT, stop link stay Attaching parts for EA1.40.239:—	1	S65 or S81	4/3
EA1.40.353		. . . Nut, lock	1	S11	4/4
EA1.40.405		. . . BOLT, sequence valve operating	1	S11	4/5
EA1.40.229		. . . BRACKET, stop bolt Attaching parts for EA1.40.229:—	1	S11	4/6
A25/15L		. . . Bolt, 7/16" BSF hex. head	1	—	4/7
A25/8L		. . . Bolt, 7/16" BSF hex. head	2	—	4/8
A27/LS		. . . Nut, 7/16" BSF slotted	3	—	4/9

A.P.101B-0418-3A

UNDERCARRIAGE
MAIN UNDERCARRIAGE, PORT

Page R5

Ref. No.	Part No.	Description	No. off	Matl. Spec.	Cl. of Equip. M.R. L.M.	Fig. and Index
7114	E.A1.40.403	BRACKET, sequence valve operating stud	1	L.40	C	4/10
28D/1212688	A25/18L	Attaching parts for E.A1.40.403:—	1	—	C	4/11
28M/9129449	A27/LS	Bolt, 7/16" BSF hex. head	1	—	C	4/12
		Nut, 7/16" BSF slotted	1	—	C	4/12
531	E.A1.40.199	LEVER, UNDERCARRIAGE LOCK, GROUP	1	—	C	4/13
		Consisting of:—				
532	E.A1.40.213	BUSH	1	DTD.197	C	4/14
	E.A1.40.201	LEVER	1	S.11	—	4/15
533	E.A1.40.200	LEVER, UNDERCARRIAGE LOCK, GROUP	1	—	C	4/16
		Consisting of:—				
532	E.A1.40.213	BUSH	1	DTD.197	C	4/17
	E.A1.40.202	LEVER	1	S.11	—	4/18
		Attaching parts for E.A1.40.199 and E.A1.40.200:—				
525	E.A1.40.195	Bolt, hook	1	S.61 or S.65	C	4/19
22176	E.A1.40.351	Nut, slotted, for hook catch pin bolt	1	—	C	4/20
543	E.A1.40.219	Tube, distance, for undercarriage "down" switch operating bracket	1	L.40	C	4/21
28W/9419481	SP.15/Q	Washer, 5/8" BSF plain	1	—	C	4/22
544	E.A1.40.291	Washer, tab, at undercarriage hook catch bolt, 20 SWG	1	S.3	C	4/23
547	E.A1.40.417	Washer, under tab and connecting bolt, 24 SWG	1	L.72	C	4/24
13168	E.A3.40.191	LEVER, UNDERCARRIAGE "DOWN" MICROSWITCH OPERATING, ASSEMBLY	1	—	C	4/25
		Spares for:—				
179	E.A1.40.569	SCREW, tappet	1	S.11	C	4/26
6472	E.A1.40.225	LINK, SIDE STAY, GROUP	1	—	B/MR	4/27
		Spares for:—				
536	E.A1.40.227	BUSH, bearing	2	DTD.197	C	4/28
		Attaching parts for E.A1.40.227:—				
526	E.A1.40.197	Bolt, connecting stay and link	1	S.65 or S.81	C	4/29
12916	E.A1.40.347	Nut, slotted	1	—	C	4/30
538	E.A1.40.223	Plug, adaptor	1	L.40	C	4/31
37307	E.A1.40.765	Washer, link and link stay connecting bolt	1	S.3	C	4/32
28N/9156370	SP.21	NIPPLE, lubricating, 1/4" BSF	3	—	C	4/33
26667	E.A3.40.193	NUT, slotted, for undercarriage operating jack bolt	1	—	C	4/34
13184	E.A3.40.199	PLATE	1	DTD.124	C	4/35
539	E.A1.40.205	ROLLER, stop, lever, assembly	1	—	C	4/36
		Attaching parts for E.A1.40.205:—				
527	E.A1.40.203	Bolt	1	S.11	C	4/37
40530	E.A1.40.349	Nut, slotted	1	—	C	4/38
7113	E.A1.40.233	SLEEVE, operating spring, for undercarriage lock stop	1	DTD.197	C	4/39

UNDERCARRIAGE
MAIN UNDERCARRIAGE, PORT

Ref. No.	Part No.	Description	No. off	Matl. Spec.	Cl. of Equip. M.R. L.M.	Fig. and Index
540	E.A1.40.237	SPRING, compression, at lock stop	1	Spring Steel	C	4/40
6119308	E.A9.40.79	STAY, side (Mod. 5051)	1	S.97	C/MR	4/41
541	E.A1.40.235	STOP, undercarriage lock	1	S.11	C	4/42
542	E.A1.40.217	TUBE, distance, undercarriage jack bolt, undercarriage "down" switch	1	L.40	C	4/43
545	E.A1.40.355	WASHER, link and link stay connecting bolt	1	L.72	C	4/44

A.P.101B-0418-3A

UNDERCARRIAGE

Page RA1

MAIN UNDERCARRIAGE, STARBOARD

Ref. No.	Part No.	Description	No. off	Matl. Spec.	Cl. of Equip. M.R. L.M.	Fig. and Index
	E.A1.40.2	MAIN, UNDERCARRIAGE, STARBOARD, ASSEMBLY Consisting of:—	1	—	—	
	E.A3.40.6	LEG, OLEO (LESS WHEEL, FIXED FAIRING AND BRAKE UNIT), GROUP Consisting of:—	1	—	—	1/13
27G/4070	DUNLOP AH.9598	BRAKE, UNIT (For spares, see AP.4515C, Vol. 3, Part 1, Sect. 2, Chap 37)	1	—	—	1/14
27A/2852	DUNLOP K.JN.16N	COVER, outer, 43" x 13".5 x 19" (Dunlop DR.4521 or Firestone ZA.341 or ZA.173 or Goodyear GA.1209)	1	—	B	1/3
3061	E.A3.20.854	FAIRING, FIXED, GROUP (Supplied with trim allowance) Spares for:—	1	—	B	1/15
21721	E.A3.20.2870	PANEL, HINGE, ASSEMBLY Spares for:—	1	—	B	1/16
	E.A1.20.1679	HINGE, (Make from 28N/10363)	1	—	LM	1/6
3026	E.A1.20.1676	PANEL, hinge	1	L72	C	1/17
1887	E.A1.40.436	SPRING	2	Spring Steel	C	1/18
1413	E.A1.20.6817	PANEL, access, picket point	1	—	C	1/9
	E.A3.20.1627	SEAL, 3/8" dia. x 90" long (Make from Ref. 4432)	1	Synthetic Rubber	LM	1/10
42538	E.A3.40.234	LEG, SLIDING AND OLEO HEAD, GROUP Spares for:—	1	—	A	2/67
2168	E.A6.40.35	BOLT, brake unit securing	10	S97	C	3/1
660	E.A1.40.639	BRACKET, angle, micro-switch mounting Attaching parts for E.A1.40.639:—	1	L72	C	2/68
28D/9140638	A25/4B	Bolt, 4 BA hex. head	4	—	C	2/69
28M/9403519	A27/BP	Nut, 4 BA plain	4	—	C	2/70
706	E.A1.40.335	Plate, packing	1	LA	C	2/71
28W/9416642	SP47/B	Washer, 4 BA spring	4	—	C	2/72
661	E.A1.40.153	BUSH, bearing, torque link centre joint	4	DTD412	C	2/2
662	E.A1.40.671	FINGER, operating, micro-switch plunger Attaching parts for E.A1.40.671:—	1	—	C	2/73
28S/9435713	A31/C20	Screw, 2 BA cheese head	2	—	C	2/74
28W/9416643	SP47/C	Washer, 2 BA spring	2	—	C	2/75

UNDERCARRIAGE

MAIN UNDERCARRIAGE, STARBOARD

Ref. No.	Part No.	Description							No. off	Matl. Spec.	Cl. of Equip. M.R. L.M.	Fig. and Index
		1	2	3	4	5	6	7				
	E.A3.40.232	HEAD, OLEO, GROUP							1	—	—	2/76
		Spares for:—										
663	E.A1.40.89	BEARING, spherical seated, ball joint side stay							1	S11	C	2/4
		Attaching parts for E.A1.40.89:—										
664	E.A1.40.101	Bush, bearing							1	DTD412	C	2/5
675	E.A1.40.96	Ring, lower, retaining, ball joint							1	DTD124	C	2/77
677	E.A1.40.98	Ring, upper, retaining, ball joint							1	DTD124	C	2/78
680	E.A1.40.99	Stud, retaining rings							12	S11	C	2/8
1438501	E.A9.40.63	BUSH, pivot							2	DTD412	C	2/9
666	E.A1.40.111	BUSH, torque link							2	DTD412	C	2/10
		Attaching parts for E.A1.40.111:—										
673	E.A1.40.679	Plug, bearing bush, retaining							1	L40	C	2/11
667	E.A1.40.133	DISC, sealing, piston dowel plug							2	L40	C	2/12
		Attaching parts for E.A1.40.133:—										
679	E.A1.40.625	Screw, retaining, plug dowel seal							1	L40	C	2/13
668	E.A1.40.131	DOWEL, piston							2	S11	C	2/14
	E.A9.07.36	HEAD, oleo, forging (E.A9.40.56)							1	DTD5094	—	2/79
669	E.A1.40.103	HOOK, 'S' shaped, 16 SWG							2	MS	C	2/16
		Wire										
20656	E.A1.40.127	PIPE, stack, assembly							1	—	B/MR	2/17
		Attaching parts for E.A1.40.127:—										
28F/8014021	AGS.1138/B	Washer, jointing							1	—	C	2/18
41911		SPLIT PIN, MAIN UIC PIVOT BOLT										
	E.A1.40.18	PISTON, OPERATING, GROUP							1	—	—	2/80
		Consisting of:—										
1099	EEAS.37/22A	NIPPLE, 2 BA							2	S11	C	2/20
670	E.A1.40.647	PISTON							1	DTD197	C	2/21
671	E.A1.40.649	PLATE, orifice enclosure control							1	S11	C	2/22
		Attaching parts for E.A1.40.649:—										
683	E.A1.40.61	Bolt, special							3	S11	C	2/23
672	E.A1.40.651	RING, piston							1	—	C	2/24
	EEAS.38/3A	SPOKE, 2 BA (Make from 28R/6328)							1	S11	LM	2/25
12914	E.A1.40.118	STRUT, piston, main							1	T4	C	2/81
678	E.A1.40.155	RING, sealing							2	Synthetic Rubber	C	2/27
28Y/15486	H.P. COMP'S A58	VALVE, charging							1	—	B	2/28
		Attaching parts for A.58:—										
28D/1215078	AS.1246/5C	Bolt, 2 BA round head							1	—	C	2/29
681	E.A1.40.105	Tube, distance							1	L40	C	2/30
28W/9416643	SP47/C	Washer, 2 BA spring							1	—	C	2/31
28F/8014021	AGS.1138/B	Washer, jointing							1	—	C	2/32
682	E.A1.40.149	Washer, locking valve, 14 SWG							1	DTD124	C	2/33
		Attaching parts for E.A3.40.232:—										
4174	E.A1.40.519	Bolt, securing, fixed fairing mounting brackets to leg							8	—	C	2/34
28W/941664	SP47/E	Washer, 1/4" BSF spring							8	—	C	2/35

A.P.101B-0418-3A

UNDERCARRIAGE
MAIN UNDERCARRIAGE, STARBOARD

Page RA3

Ref. No.	Part No.	Description	No. off	Matl. Spec.	Cl. of Equip. M.R. L.M.	Fig. and Index
	E.A3.40.236	LEG, SLIDING, COMPRESSION, GROUP	1	—	—	3/36
		Consisting of:—				
26640	E.A3.40.201	BOLT, clamp, axle, locking	1	S.95	C	3/3
2467	E.A3.40.45	BUSH, bearing	1	—	C	3/4
684	E.A1.40.161	BUSH, bearing in plug	2	DTD.124	C	3/5
20865	E.A3.40.13	CLAMP, AXLE, GROUP	1	—	A/MR	3/6
		Spares for:—				
21355	E.A3.40.23	BUSH	1	L.16	C	3/7
1752	E.A3.40.17	CLAMP, axle body	1	—	C	3/8
1753	E.A3.40.19	LINK, towing	1	—	C	3/9
21537	E.A3.40.21	WASHER, tow link	1	—	C	3/10
14706	E.A3.40.209	HOUSING, seals	1	L.65	C	3/11
1463	E.A3.40.10	LEG, sliding, c/w integral axle	1	—	A	3/37
691	E.A1.40.41	NUT, stop	1	S.11	C	3/13
32210	E.A3.40.221	PIN, locking, piston	3	S.97	C	3/14
	E.A3.40.219	PISTON, sliding leg	1	DTD.197	—	3/15
693	E.A1.40.175	PLATE, orifice	1	L.65	C	3/16
		Attaching parts for E.A1.40.175:—				
683	E.A1.40.61	Bolt, stud	6	S.11	C	3/17
14701	E.A3.40.203	PLUG, sealing	1	L.40	C	3/18
695	E.A1.40.677	PLUG, pivot, bearing bush retaining	2	L.40	C	3/19
12915	E.A1.40.45	RING, retaining felt washer	1	S.3	C	3/20
		Attaching parts for E.A1.40.45:—				
28D/1007285	AS.1242/1B	Bolt, 4 BA c'sk head	8	—	C	3/21
697	E.A1.40.57	RING, piston	1	—	C	3/22
14702	E.A3.40.205	RING, sealing on plug	1	Soft Rubber	C	3/23
14700	E.A3.40.207	RING, distance, between sealing and backing rings	1	L.64	C	3/24
14704	E.A3.40.211	RING, sealing, seal housing	1	Soft Rubber	C	3/25
14703	E.A3.40.213	RING, sealing, seal housing	2	Soft Rubber	C	3/26
14705	E.A3.40.215	RING, backing	2	Fabric CX.18	C	3/27
12913	E.A1.40.657	RING, spacer, between fibre washer	1	L.40	C	3/28
21354	E.A1.40.659	RING, shock absorber stop	1	L.40	C	3/29
700	E.A1.40.167	SCREW, grub, stop nut locking	1	S.1	C	3/30
701	E.A1.40.39	WASHER, fibre, under stop nut	1	BS.216	C	3/31
702	E.A1.40.43	WASHER, packing, under ring retaining x 3/16" thick	1	Hard Felt	C	3/32
30A/9437135	†	WIRE, locking, 22 SWG	QR	DTD.189A	C	
521	E.A1.40.467	LEVER, COWL DOOR MECHANISM, GROUP	1	—	C	2/36
		Spares for:—				
522	E.A1.40.465	BUSH, bearing	2	L.40	C	2/37
	E.A1.40.529	LEVER, operating	1	—	—	2/38
		Attaching parts for E.A1.40.467:—				
4173	E.A1.40.517	Bolt, securing	4	—	C	2/39

UNDERCARRIAGE
MAIN UNDERCARRIAGE, STARBOARD

Ref. No.	Part No.	Description							No. off	Matl. Spec.	Cl. of Equip. M.R. L.M.	Fig. and Index
		1	2	3	4	5	6	7				
3631	E.A1.40.27								1	L.40	C	2/40
28M/13590	A27/SS								1	—	C	2/41
704	E.A1.40.69								1	S.11	C	2/42
1500	E.A3.40.27								1	S.97	C	2/43
707	E.A1.40.77								1	S.11	C	2/44
708	E.A1.40.139								1	M.S.	C	2/45
709	E.A1.40.619								1	L.A.	C	2/46
711	E.A1.40.73								1	S.11	C	2/47
713	E.A1.40.75								1	DTD.412	C	2/48
714	E.A1.40.79								1	M.S. or S.515	C	2/49
715	E.A1.40.83								1	S.11	C	2/50
718	E.A1.40.147								1	DTD.412	C	2/51
1514	E.A3.40.29								1	S.96	C	2/52
1515	E.A3.40.31								1	S.96	C	2/53
3632	E.A1.40.28								1	L.40	C	2/54
703	E.A1.40.67								1	S.11	C	2/55
707	E.A1.40.77								1	S.11	C	2/56
708	E.A1.40.139								1	M.S.	C	2/57
709	E.A1.40.619								1	L.A.	C	2/58
710	E.A1.40.71								1	S.11	C	2/59
713	E.A1.40.75								1	DTD.412	C	2/60
714	E.A1.40.79								1	M.S.	C	2/61
718	E.A1.40.147								1	DTD.412	C	2/62
28N/9156370	SP.21								5	L.A.	C	2/63
28M/13259	A27/NS								10	—	C	3/33
28P/9560929	SP.90/E8								10	—	C	3/34
712	E.A1.40.137								1	M.S.	C	2/64
28S/1200034	A31/B16								1	—	C	2/65
28W/9416642	SP.47/B								1	—	C	2/66
2169	E.A3.40.43								10	—	C	3/35
27A/2653	DUNLOP KJ.9								1	—	C	1/11

UNDERCARRIAGE
MAIN UNDERCARRIAGE, STARBOARD

Ref. No.	Part No.	Description	No. off	Matl. Spec.	Cl. of Equip. M.R. L.M.	Fig. and Index
27A/2657	DUNLOP AH.9343	WHEEL, undercarriage (For spares, see AP.4515C, Vol. 3, Pt. 1, Sect. 2, Chap. 37)	1	-	A	1/12
R 27A/4560430	or DUNLOP AH.50439	WHEEL, undercarriage (For spares, see AP.4515C, Vol. 3, Pt. 1, Sect. 2, Chap. 37)	1	-	A	
6119300	E.A9.40.74	STAY, SIDE, UNDERCARRIAGE, GROUP (Mod. 5051) Spares for:-	1	-	A	4/45
528	E.A1.40.221	BOLT, connecting undercarriage operating jack	1	S.65 or S.81	C	4/2
529	E.A1.40.239	BOLT, stop, link stay	1	S.65 or S.81	C	4/3
537	E.A1.40.353	Attaching parts for E.A1.40.239:- Nut, lock	1	S.11	C	4/4
530	E.A1.40.405	BOLT, sequence valve operating	1	S.11	C	4/5
7112	E.A1.40.229	BRACKET, stop bolt Attaching parts for E.A1.40.229:-	1	S.11	C	4/6
28D/1212690	A25/15L	Bolt, 7/16" BSF hex. head	1	-	C	4/7
28D/1011310	A25/8L	Bolt, 7/16" BSF hex. head	2	-	C	4/8
28M/9129449	A27/LS	Nut, 7/16" BSF slotted	3	-	C	4/9
32721	E.A1.40.404	BRACKET, sequence valve operating stud Attaching parts for E.A1.40.404:-	1	L.40	C	4/46
28D/1212688	A25/18L	Bolt, 7/16" BSF hex. head	1	-	C	4/11
28M/9129449	A27/LS	Nut, 7/16" BSF slotted	1	-	C	4/12
531	E.A1.40.199	LEVER, UNDERCARRIAGE LOCK, GROUP Consisting of:-	1	-	C	4/13
532	E.A1.40.213	BUSH	1	DTD.197	C	4/14
	E.A1.40.201	LEVER	1	S.11	-	4/15
533	E.A1.40.200	LEVER, UNDERCARRIAGE LOCK, GROUP Consisting of:-	1	-	C	4/16
532	E.A1.40.213	BUSH	1	DTD.197	C	4/17
	E.A1.40.202	LEVER	1	S.11	-	4/18
525	E.A1.40.195	Attaching parts for E.A1.40.199 and E.A1.40.200:- Bolt, hook	1	S.65 or S.81	C	4/19
22176	E.A1.40.351	Nut, slotted, for hook catch pin bolt	1	-	C	4/20
543	E.A1.40.219	Tube, distance, for undercarriage "down" switch operating bracket	1	L.40	C	4/21
28W/9419481	SP.15/Q	Washer, 5/16" BSF plain	1	-	C	4/22
544	E.A1.40.291	Washer, tab, at undercarriage hook catch bolt, 20 SWG	1	S.3	C	4/23
547	E.A1.40.417	Washer, under tab and connecting bolt, 24 SWG	1	L.72	C	4/24

UNDERCARRIAGE
MAIN UNDERCARRIAGE, STARBOARD

Ref. No.	Part No.	Description	No. off	Matl. Spec.	Cl. of Equip. M.R. L.M.	Fig. and Index	1 2 3 4 5 6 7										
							1	2	3	4	5	6	7				
13169	E.A3.40.192	LEVER, UNDERCARRIAGE "DOWN" MICRO-SWITCH OPERATING, ASSEMBLY Spares for:—	1	—	C	4/47											
179	E.A1.40.569	SCREW, tappet	1	S.11	C	4/26											
6472	E.A1.40.225	LINK, SIDE STAY, GROUP Spares for:—	1	—	B/MR	4/27											
536	E.A1.40.227	BUSH, BEARING Attaching parts for E.A1.40.225:—	2	DTD.197	C	4/28											
526	E.A1.40.197	Bolt, connecting stay and link	1	S.65 or S.81	C	4/29											
12916	E.A1.40.347	Nut, slotted	1	—	C	4/30											
538	E.A1.40.223	Plug, adaptor	1	L.40	C	4/31											
37307	E.A1.40.765	Washer, link and link stay connecting bolt	1	S.3	C	4/32											
28N/9156370	SP.21	NIPPLE, lubricating, 1/4" BSF	3	—	C	4/33											
26667	E.A3.40.193	NUT, slotted, for undercarriage operating jack bolt	1	—	C	4/34											
13184	E.A3.40.199	PLATE	1	DTD.124	C	4/35											
539	E.A1.40.205	ROLLER, stop, lever, assembly Attaching parts for E.A1.40.205:—	1	—	C	4/36											
527	E.A1.40.203	Bolt	1	S.11	C	4/37											
40530	E.A1.40.349	Nut, slotted	1	—	C	4/38											
7113	E.A1.40.233	SLEEVE, operating spring, for undercarriage lock stop	1	DTD.197	C	4/39											
540	E.A1.40.237	SPRING, compression at lock stop	1	Spring Steel	C	4/40											
6119309	E.A9.40.80	STAY, side (Mod. 5051)	1	S.97	C/MR	4/48											
541	E.A1.40.235	STOP, undercarriage lock	1	S.11	C	4/42											
542	E.A1.40.217	TUBE, distance, undercarriage jack bolt, undercarriage drain switch	1	L.40	C	4/43											
545	E.A1.40.355	WASHER, link and link stay connecting bolt	1	L.72	C	4/44											

AP101B-0418-3A

UNDERCARRIAGE

NOSEWHEEL

Part Number	Description	No. Off	Mati. Spec.	Plate No.
-	NOSEWHEEL, ASSEMBLY (EA9.40.1)	-	-	
	Spares for:—			
EA9.40.15	. BLOCK, flexible hose support	2	LFS21	5/1
	Attaching parts for EA9.40.15:—			
A25/2C	. Bolt, 2BA hex head	1	-	5/2
EA9.40.13	. Clip	1	-	5/3
AGS2001/C/1	. Nut, stiff, 2BA	1	-	5/4
EA9.40.17	. Washer, corner	2	L72	5/5
EA1.40.617	. BOLT, adjusting, undercarriage door cross head stop	2	HTS	5/6
EA9.40.21	. BOLT, connecting, operating jack to undercarriage	1	S46	5/7
EA1.40.605	. BOLT, hydraulic jack anchor	1	S97	5/8
EA3.40.139	. BOLT, jack attachment to cross head	1	S96	5/9
EA1.40.491	. BOLT, nosewheel door "up" latch, forward	1	S94 or S96	6/1
EA1.40.493	. BOLT, nosewheel door "up" latch, aft	1	L94 or S96	5/10
EA9.40.11	. BOLT, nose undercarriage jack hinge	1	S95	5/11
EA3.40.251	. BRACKET, UNDERCARRIAGE "UP" HOOK, ASSEMBLY (MOD 4449)	1	-	6/2
	Spares for:—			
EA1.40.385	. . . BEAM, bracket, assembly (Pre—Alt. R60/304)	1	-	6/3
EA3.40.265	. . . BEAM, bracket, assembly (Alt R60/304)	1	-	
	Spares for:—			
EA1.40.365 BEAM, bracket	1	-	
EA1.40.369 LUG (Pre—Alt. R60/304)	1	L40	6/4
EA3.40.263 LUG (Alt R60/304)	1	-	
EA1.40.377 PLATE, locking	1	L72	6/5
	Attaching parts for EA1.40.385 or EA3.40.265:—			
A25/22C	. . . Bolt, 2BA hex head	8	-	6/6
A27/CP	. . . Nut, 2BA plain	8	-	6/7
EA1.40.381	. . . Tube, distance	8	L62	6/8
SP47/C	. . . Washer, spring	8	-	6/9
EA3.40.151	. . . BOLT, stop, for buffer, assembly	2	S96	6/10
	Attaching parts for EA3.40.151:—			
AGS2001/J/1	. . . Nut, stiff, 3/8" BSF	1	-	6/11
EA1.40.399	. . . Washer, laminated	1	Lam. Alum.	6/12
EA1.40.373	. . . BRACKET, hook suspension	1	S96	6/13
	Attaching parts for EA1.40.373:—			
AGS2001/J/1	. . . Nut, stiff, 3/8" BSF	1	-	6/14
SP16/J	. . . Washer, 3/8" BSF plain	1	-	6/15
EA1.40.399	. . . Washer, laminated	1	Lam. Alum.	6/16
EA3.40.249	. . . HOOK, UNDERCARRIAGE "UP", LATCH, GROUP (MOD 4449)	1	-	6/17
	Consisting of:—			
EA3.40.147 BOLT, special	1	DTD126A	6/18
EA1.40.393 BUSH	1	DTD147	6/19
EA3.40.243 HOOK, "up" latch	1	HTS	6/20

R
R
R
R
R

UNDERCARRIAGE

NOSEWHEEL

Part Number	Description	No. Off	Matl. Spec.	Plate No.
A27/CP	. . . NUT, 2BA plain	1	-	6/21
AGS162/C	. . . WASHER, spring Attaching parts for EA3.40.249:—	1	-	6/22
EA1.40.371	. . Bolt, pivot, for hook	1	S96	6/23
A27/ES	. . Nut, 1/4" BSF slotted	1	-	6/24
EA1.40.389	. . SCREW, adjusting, hook stop Attaching parts for EA1.40.389:—	1	HTS	6/25
A27/EP	. . Nut, 1/4" BSF plain	1	-	6/26
EA3.40.93	. CROSS-HEAD, NOSEWHEEL DOORS, C/W VALVE TRIP, ASSEMBLY Spares for:—	1	-	5/12
EA3.40.97	. . PIN, roller, top	1	S11	5/13
EA3.40.181	. . PIN, roller, bottom	1	S11	5/14
EA1.40.553	. . ROLLER, guide	2	L40	5/15
EA1.40.561	. . VALVE, trip Attaching parts for EA1.40.561:—	1	-	5/16
A33/C32	. . Screw, 2BA csk head	1	-	5/17
EA3.40.95	. . YOKE cross-head	1	-	5/18
EA9.40.35	. LEVER, micro-switch operating undercarriage door front latch Attaching parts for EA9.40.35:—	1	L65	6/27
A25/14C	. Bolt, 2BA hex head	1	-	6/28
AGS2001/C/1	. Nut, stiff, 2BA	1	-	6/29
EA1.40.731	. Piece, distance	1	S1	6/30
EA1.45.989	. Shim, laminated	2	Lam. Alum.	6/31
AS2811/7/023	. Spacer (7/16" dia x 0.23" long, made from 17 gauge alum. alloy tube)	2	L62	6/32
EA1.40.567	. LEVER, UNDERCARRIAGE SEQUENCE VALVE, ASSEMBLY Spares for:—	1	-	5/19
EA1.40.569	. . TAPPET, valve screw Attaching parts for EA1.40.569:—	1	S96	5/20
A27/ET	. . Nut, 1/4" BSF thin Attaching parts for EA1.40.567:—	1	-	5/21
EA1.40.581	. Bolt, fulcrum	1	S96	5/22
A27/GP	. Nut, 5/16" BSF plain	1	-	5/23
EEAS28/35/FU	. Washer, packing	1	S515	5/24
EA1.40.703	. LEVER, BRACKET, UNDERCARRIAGE SEQUENCE VALVE, ASSEMBLY Spares for:—	1	-	6/33
EA1.40.705	. . BRACKET, sequence valve, rear	1	-	6/34
EA1.40.707	. . BRACKET, sequence valve, front	1	-	6/35
EA1.40.573	. . LEVER, sequence valve operating Attaching parts for EA1.40.573:—	1	L40	6/36
EA1.40.709	. . Bolt, fulcrum	1	-	6/37
A27/CS	. . Nut, 2BA slotted	1	-	6/38
SP90/C7	. . Pin, split	1	-	6/39
SP15/C	. . Washer, 2BA plain	1	-	6/40
EA1.40.711	. . Washer, spacing	2	L40	6/41

UNDERCARRIAGE
NOSEWHEEL

Ref. No.	Part No.	Description	No. off	Matl. Spec.	Cl. of Equip. M.R. L.M.	Fig. and Index
179	E.A1.40.569	TAPPET, valve screw	1	S.96	C	6/42
28M/1007403	A27/ET	Attaching parts for E.A1.40.569:— Nut, 1/4" BSF thin	1	—	C	6/43
28D/9133012	A25/3C	Attaching parts for E.A1.40.703:— Bolt, 2 BA hex. head	4	—	C	6/44
28M/1278190	AGS.2001/C/1	Nut, stiff, 2 BA	4	—	C	6/45
180	E.A1.40.531	LENK, DOOR OPERATING, ASSEMBLY	2	—	B	5/25
4778	E.A1.40.535	Consisting of:— BOLT, eye, assembly	1	—	C	5/26
33793	E.A1.40.541	Attaching parts for E.A1.40.535:— Nut, locking	1	—	C	5/27
	E.A1.40.533	TUBE, assembly	1	—	—	5/28
167	E.A1.40.593	Attaching parts for E.A1.40.531:— Bolt, special, 1/4" BSF, link to door	1	S.96	C	5/29
168	E.A1.40.595	Bolt, special, 1/4" BSF, link to cross head	1	S.96	C	5/30
28M/1011467	A27/ES	Nut, 1/4" BSF slotted	2	—	C	5/31
28P/9527619	SP.90/C7	Pin, split	2	—	C	5/32
8987	E.A3.40.169	MUDGUARD, NOSEWHEEL, L.H., GROUP	1	—	B	6/46
5503	E.A3.40.133	Consisting of:— FLAP, rubber, nosewheel mudguard	1	—	C	6/47
5504	E.A3.40.127	MUDGUARD, nosewheel	1	—	C	6/48
28D/1013177	AS.1242/2E	Attaching parts for E.A3.40.127:— Bolt, 1/4" BSF c'sk head	9	—	C	6/49
28M/1007403	A27/ET	Nut, 1/4" BSF thin	6	—	C	6/50
5505	E.A3.40.131	Nut, shoulder, 1/4" BSF	3	S.95	C	6/51
6948	E.A3.40.165	STAY, mudguard, assembly	1	DTD.124A	C	6/52
6949	E.A3.40.167	STAY END, mudguard attachment	3	L.72	C	6/53
28D/9133012	A25/3C	Attaching parts for E.A3.40.167:— Bolt, 2 BA hex. head	3	—	C	6/54
28M/1006473	A27/CT	Nut, 2 BA thin	3	—	C	6/55
28W/9419475	SP.15/C	Washer, 2 BA plain	3	—	C	6/56
20930	E.A3.40.135	STRIP, bonding	1	L.72	C	6/57
28D/1007974	AS.1242/1/2C	Attaching parts for E.A3.40.135:— Bolt, 2 BA c'sk head	3	—	C	6/58
5506	E.A3.40.137	Nut, shoulder, 2 BA	3	S.95	C	6/59
28D/1011300	A25/7J	Attaching parts for E.A3.40.169:— Bolt, 3/8" BSF hex. head	3	—	C	6/60
28W/9419477	SP.15/J	Washer, 3/8" BSF plain	3	—	C	6/61
8988	E.A3.40.170	MUDGUARD, NOSEWHEEL, R.H., GROUP	1	—	B	6/62
		(Spares for this assembly are identical with those of Part No. E.A3.40.169)				
28D/1011300	A25/7J	Attaching parts for E.A3.40.170:— Bolt, 3/8" BSF hex. head	3	—	C	6/63
28W/9419477	SP.15/J	Washer, 3/8" BSF plain	3	—	C	6/64
28N/9156370	SP.21	NIPPLE, lubricating	1	—	C	6/65

Page RB4		UNDERCARRIAGE NOSEWHEEL						No. off	Matl. Spec.	Cl. of Equip. M.R. L.M.	Fig. and Index
Ref. No.	Part No.	1	2	3	4	5	6				
1439144	E.A3.40.261	ROD, RADIUS, GROUP (Mod. 4449)						1	—	A	7/1
1439148	E.A3.40.255	BRACKET, micro-switch						1	L.72	C	7/2
28D/9436920	A25/1C	Attaching parts for E.A3.40.255:—						3	—	C	7/3
28W/9416643	SP.47/C	Bolt, 2 BA hex. head						3	—	C	7/4
3656	E.A3.40.65	Washer, 2 BA spring						1	DTD.197	C	7/5
186	E.A1.40.621	BUSH, spring plunger						2	S.11	C	7/6
1893	E.A6.40.21	DOWEL						1	—	B	7/7
187	E.A1.40.363	END, PLUG, RADIUS ROD, ASSEMBLY						2	DTD.197	C	7/8
28N/9156370	SP.21	Spares for:—						1	—	C	7/9
4937	E.A1.40.311	BUSH, bearing						1	L.40	C	7/10
4447	E.A1.40.321	NIPPLE, lubricating						1	—	C	7/12
28M/9436836	AGS.2001/C/2	FINGER, operating, undercarriage "up"						1	—	C	7/13
28W/9419402	SP.13/C	micro-switch						1	—	C	7/14
1894	E.A6.40.29	Attaching parts for E.A1.40.311:—						1	DTD.126A	C	7/15
3655	E.A3.40.73	Bolt, bearing						1	—	C	7/16
28D/1011240	A25/5E	Nut, stiff, 2 BA						1	—	C	7/17
28W/9416644	SP.47/E	Washer, 2 BA plain						1	—	C	7/18
41255	E.A9.40.49	FORK, strut end						1	L.40	C	7/19
190	E.A1.40.337	HOUSING, spring lock plunger						1	L.40	C	7/20
28N/9156370	SP.21	Attaching parts for E.A3.40.73:—						4	—	C	7/21
192	E.A1.40.339	Bolt, 1/4" BSF hex. head						4	—	C	7/22
188	E.A1.40.343	Washer, 1/4" BSF spring						1	—	B	7/23
28M/1011467	A27/ES	LEVER, LOCKING, NOSEWHEEL						2	DTD.197	C	7/24
28P/9527619	SP.90/C7	UNDERCARRIAGE, ASSEMBLY						1	—	C	7/25
28W/9419415	SP.15/E	Spares for:—						1	—	C	7/26
191	E.A1.40.341	BUSH, bearing						1	—	C	7/27
189	E.A1.40.345	NIPPLE, lubrication						1	—	C	7/28
28M/1011467	A27/ES	ROLLER, assembly						1	—	C	7/29
28P/9527619	SP.90/C7	Attaching parts for E.A1.40.339:—						1	—	C	7/30
34309	E.A9.40.47	Bolt, special, 1/4" BSF						1	S.96	C	7/32
28M/1011476	A27/JS	Nut, 1/4" BSF slotted						1	—	C	7/33
28/9527619	SP.90/C7	Pin, split						1	—	C	7/34
203	E.A1.40.327	Washer, 1/4" BSF plain						1	—	C	7/35
		Attaching parts for E.A9.40.49:—						1	DTD.126A	C	7/35
		Bolt, operating lever bearing						1	—	C	7/32
		Nut, 3/8" BSF slotted						1	—	C	7/33
		Pin, split						1	—	C	7/34
		Washer, at operating lever bearing						1	—	C	7/35

UNDERCARRIAGE

NOSEWHEEL

Part Number	Description	No. Off	Matl. Spec.	Plate No.	
					1
EA6.40.23	. . . LINK, STAY, NOSEWHEEL UNDERCARRIAGE, AT RADIUS ROD, ASSEMBLY Spares for:—	1	S96	7/36	
EA1.40.359 BUSH, bearing	2	DTD197	7/37	
EA1.40.361 BUSH, bearing	2	DTD197	7/38	
SP21 NIPPLE Attaching parts for EA6.40.23:—	1	—	7/39	
EA1.40.681	. . . Bolt, special connecting	1	S96	7/40	
A27/LS	. . . Nut, 7/16" BSF slotted	1	—	7/41	
SP90/EB	. . . Pin, split	1	—	7/42	
A31/C12	. . . Screw, 2 BA cheese head	1	—	7/43	
EA1.40.325	. . . Washer, cap	1	DTD126A	7/44	
SP47/C	. . . Washer, 2 BA, spring	1	—	7/45	
EEAS37/24A	. . . NIPPLE, 1/4" BSF, for strut tube spokes	24	S96	7/47	
EA3.40.241	. . . PAD, undercarriage down micro-switch (Mod 4449) Attaching parts for EA3.40.241:—	1	L40	7/48	
A25/3C	. . . Bolt, 2 BA hex. head	3	—	7/49	
SP47/C	. . . Washer, 2 BA spring	3	—	7/50	
EA3.40.75	. . . Pin, latch	1	S96	7/51	
EA1.40.277	. . . PLATE, stop, stay link Attaching parts for EA1.40.277:—	1	S96	7/52	
A25/5E	. . . Bolt, 1/4" BSF hex. head	2	—	7/53	
SP47/E	. . . Washer, 1/4" BSF spring	2	—	7/54	
EA3.40.67	. . . SCREW, cap, locking plunger, and spring, retaining	1	L40	7/55	
EA3.40.71	. . . SCREW, grub, latch pin and bush retaining	1	S97	7/56	
EA1.40.319	. . . SHIM, laminated, stop plate adjusting	1	Lam. Alum.	7/57	
EA1.40.431	. . . SPINDLE, hook latch, nosewheel undercarriage stay Attaching parts for EA1.40.431:—	1	S96	7/58	
AGS2031/4	. . . Circlip, external	2	—	7/59	
EA1.40.309	. . . Tube, distance	1	—	7/60	
EEAS38/4A	. . . SPOKE, 1/4" BSF (Make from 28R/6330)	12	S94 S95 or S96	7/61	
EA3.40.69	. . . SPRING, compression, locking plunger operating	1	Spring Steel	7/62	
EA3.40.259	. . . SPRING, leaf, for micro-switch operating finger (Mod 4449)	1	S515	7/63	
DOWTY DN1322Z.Mk.2 or DN1322Z.Mk.3	. . . SWITCH, micro, undercarriage (Mod 4449) Attaching parts for DN1322Z Mk.2:—	2	—	7/64	
A25/8B	. . . Bolt, 4 BA hex. head (up switch)	2	—	7/65	
AS1242/10B	. . . Bolt, 4 BA c'sk head (down switch)	2	—	7/66	
AGS2001/B/1	. . . Nut, stiff, 4 BA	2	—	7/67	
SP15/B	. . . Washer, 4 BA plain	2	—	7/68	

UNDERCARRIAGE

NOSEWHEEL

Part Number	Description	No. Off	Matl. Spec.	Plate No.	
					1
EA6.40.27	. TUBE, strut, nose undercarriage Attaching parts for EA3.40.261:--	1	T60	7/69	
EA1.40.451	. Bolt, c/w spoke and nut	1	—	7/70	
EA1.40.683	. Bolt, special	1	S96	7/71	
A27/LS	. Nut, 7/16" BSF, slotted	2	—	7/72	
EA1.40.449	. Pin, strut, pivot, radius rod bearing	1	S65	7/73	
SP90/E8	. Pin, split	2	—	7/74	
A35/C8	. Screw, 2 BA, cheese head	1	—	7/75	
EA1.40.325	. Washer, special cap	3	DTD126A	7/76	
SP47/C	. Washer, 2 BA, spring	1	—	7/77	
EA1.40.455	. SCREW, grub, 2 BA, strut bearing pin locking	1	S96	5/33	
EA1.31.277	. SHIM, laminated	2	Lam. Alum.	6/67	
or EEAS27/8/4B	. SHIM, laminated	2	Lam. Alum.		
EA3.40.245	. SPRING, return, undercarriage hook (Mod 4449)	1	DTD215	6/67	
EA1.40.601	. SPRING, tension, undercarriage sequence valve	1	Spring Steel	5/34	
EA1.40.719	. SPRING, forward door latch	1	Spring Steel	6/68	
EA3.40.157	. STOP, door jack extension Attaching parts for EA3.40.157:--	2	S96	5/35	
A27/ES	. Nut, 1/4" BSF, slotted	1	—	5/36	
SP90/C7	. Pin, split	1	—	5/37	
EA1.40.701	. STOP, sequence valve lifter Attaching parts for EA1.40.701:--	1	S96	5/38	
SP15/C	. Washer, 2 BA plain	1	—	5/39	
EA9.40.37	. TAPPET, front latch lever Attaching parts for EA9.40.37:--	1	—	6/69	
A27/CT	. Nut, 2 BA plain	1	—	6/70	
DUNLOP KK.2	. TUBE, inner	2	—	6/71	
DUNLOP DR2565	. TYRE, outer, cover (DUNLOP KKEN.14N or GOODYEAR GA1202 or FIRESTONE ZA297)	2	—	6/72	
DOWTY 2.00397.042	. UNIT, undercarriage (Pre Mod 5207) (For spares, see AP.4515B, Vol. 3, Pt. 1)	1	—	6/73	
DOWTY 2.00396.040	. UNIT, undercarriage (Mod 5207) (For spares, see AP.4515B, Vol. 3, Pt. 1) (Pre Mod 5505)	1	—		
200396041	. UNIT, undercarriage assembly (Mod 5505)	1	—	6/73	
EA1.40.587	. WASHER, special, packing, undercarriage sequence valve, mounting block	2	L40	5/40	
EEAS28/30/EU DUNLOP AH9590	. WASHER, special	1	S515	5/41	
	. WHEEL, nose	2	—	6/74	

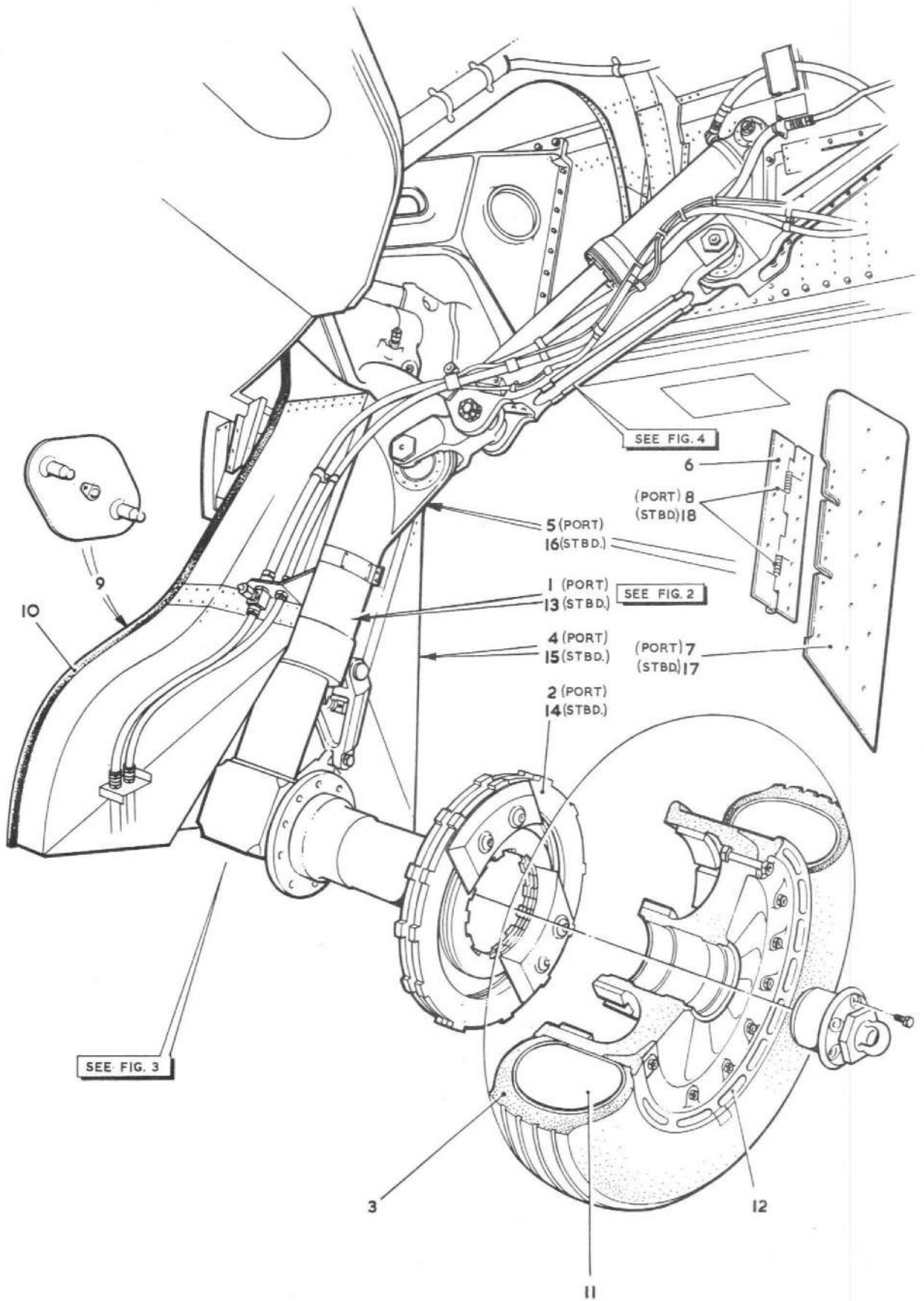


FIG.1 MAIN UNDERCARRIAGE, PORT & STBD.



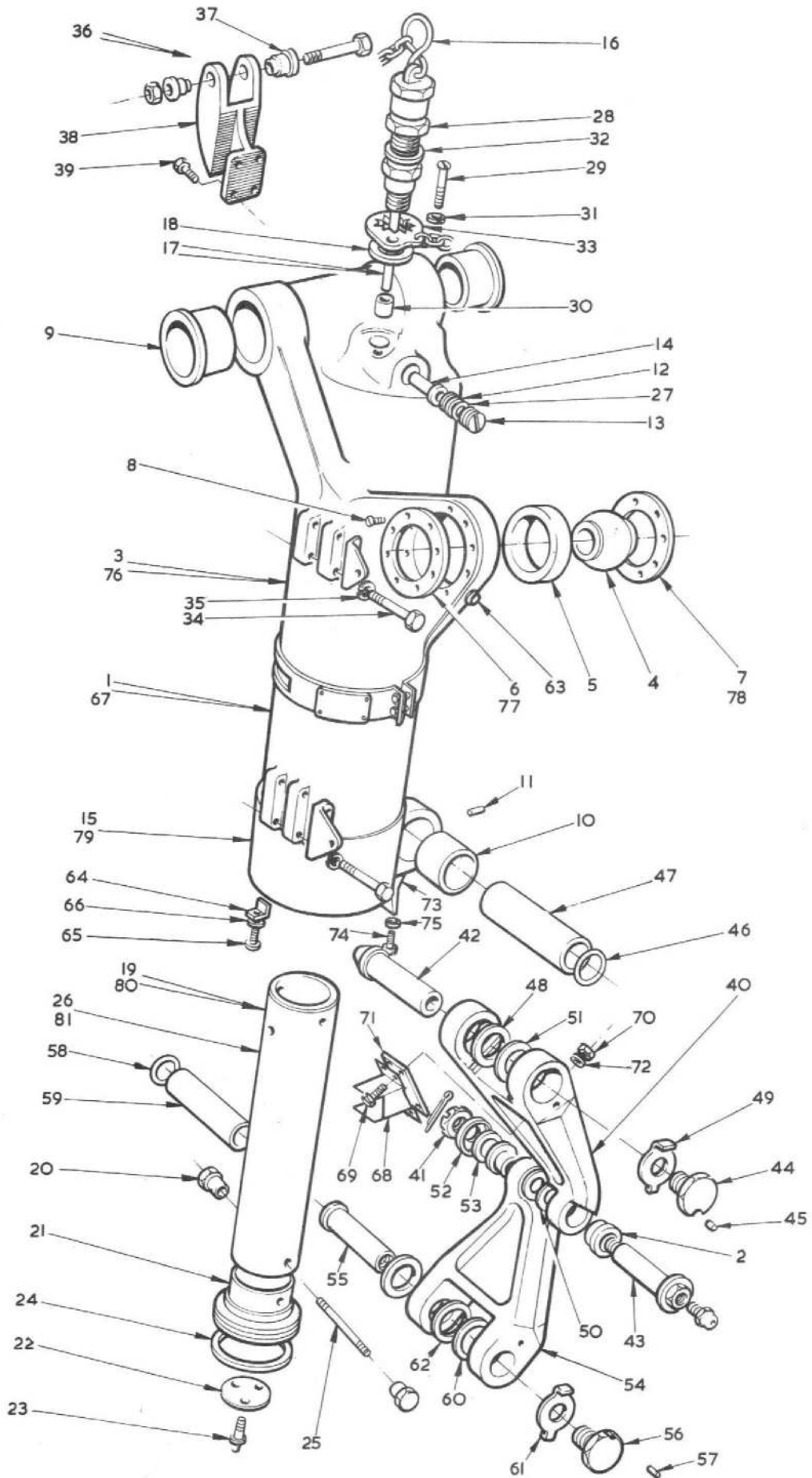


FIG 2 MAIN UNDERCARRIAGE PORT & STBD
Restricted



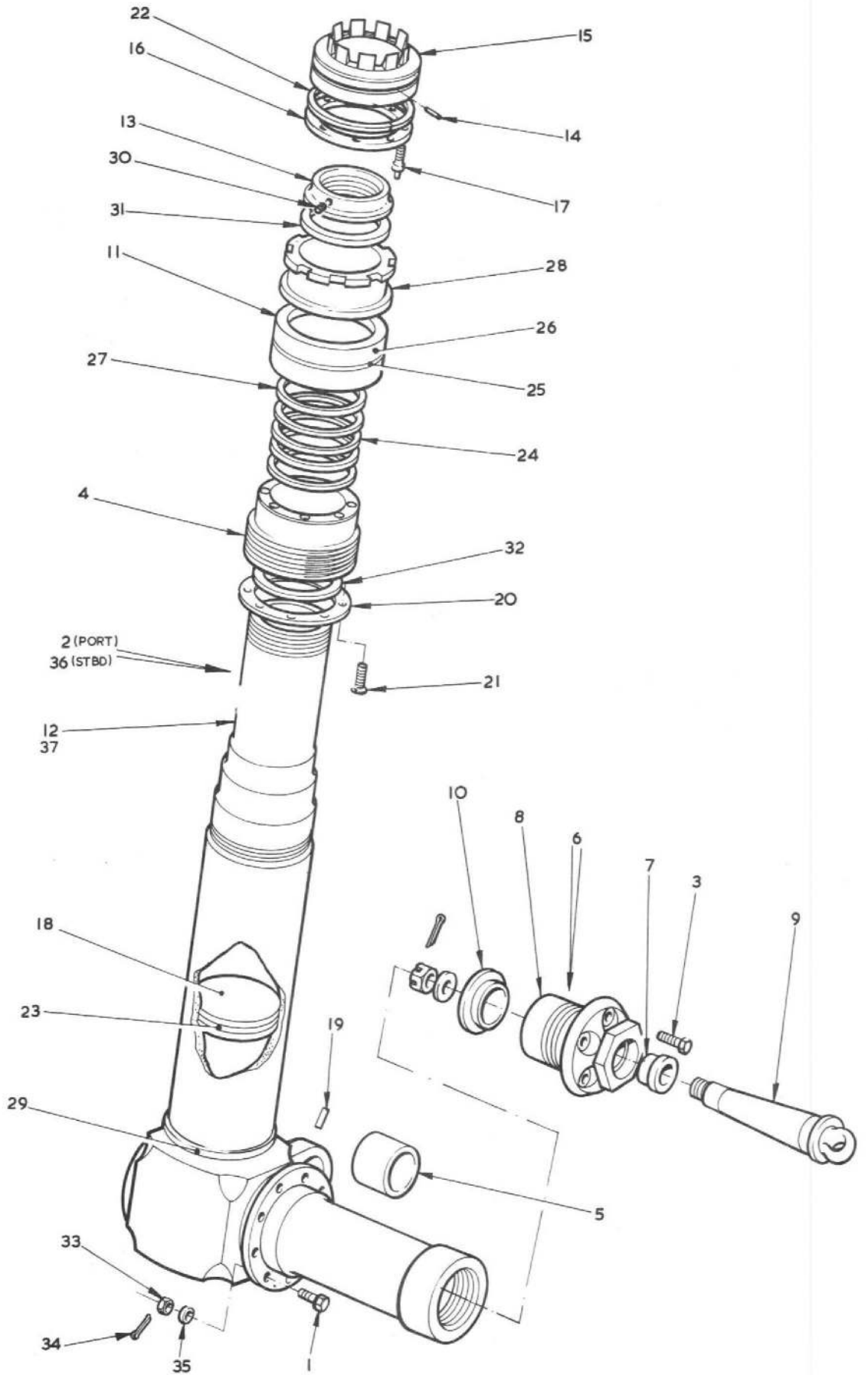


FIG 3 MAIN UNDERCARRIAGE PORT & STBD

Restricted



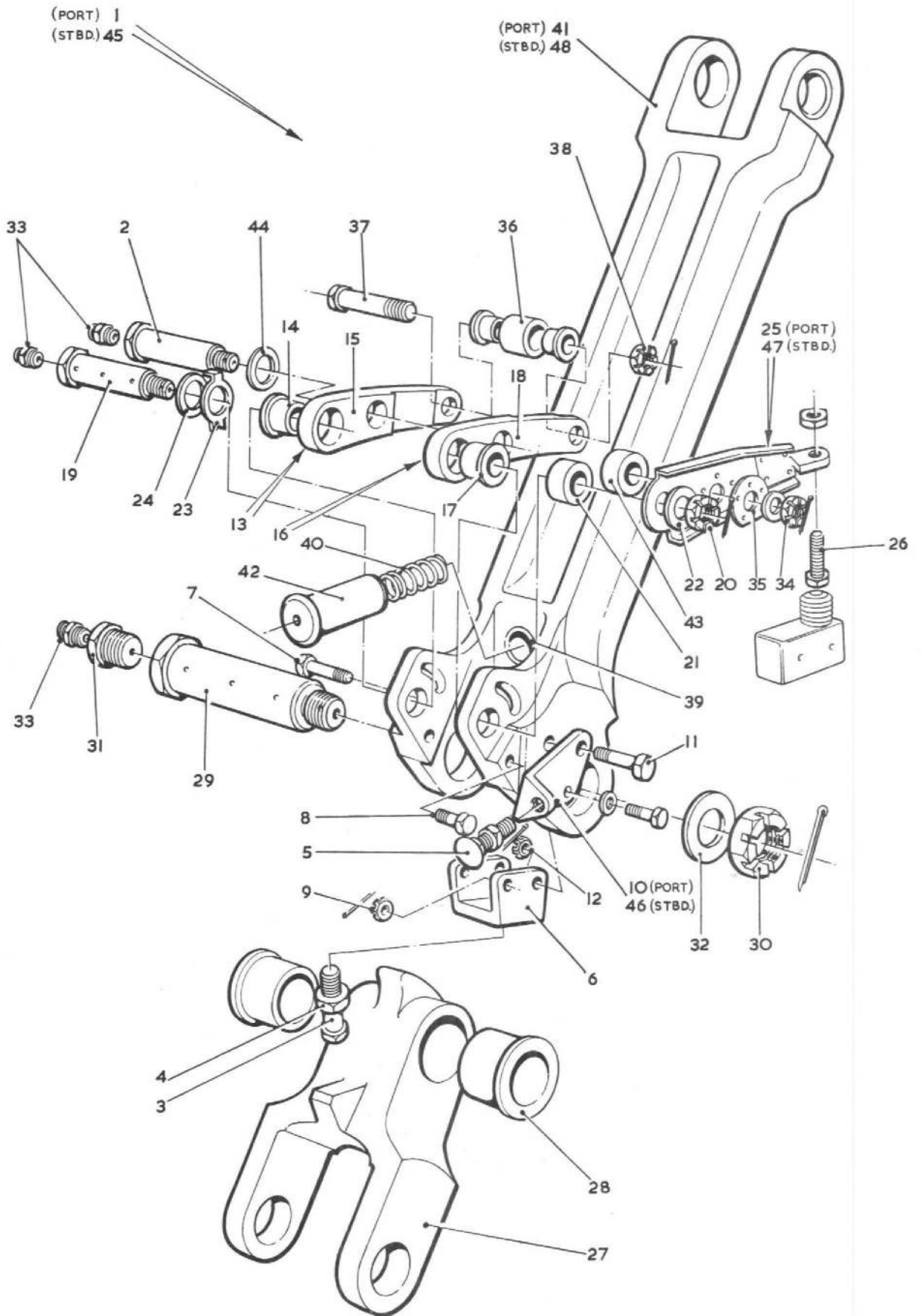


FIG. 4 MAIN UNDERCARRIAGE, PORT & STBD.

Restricted



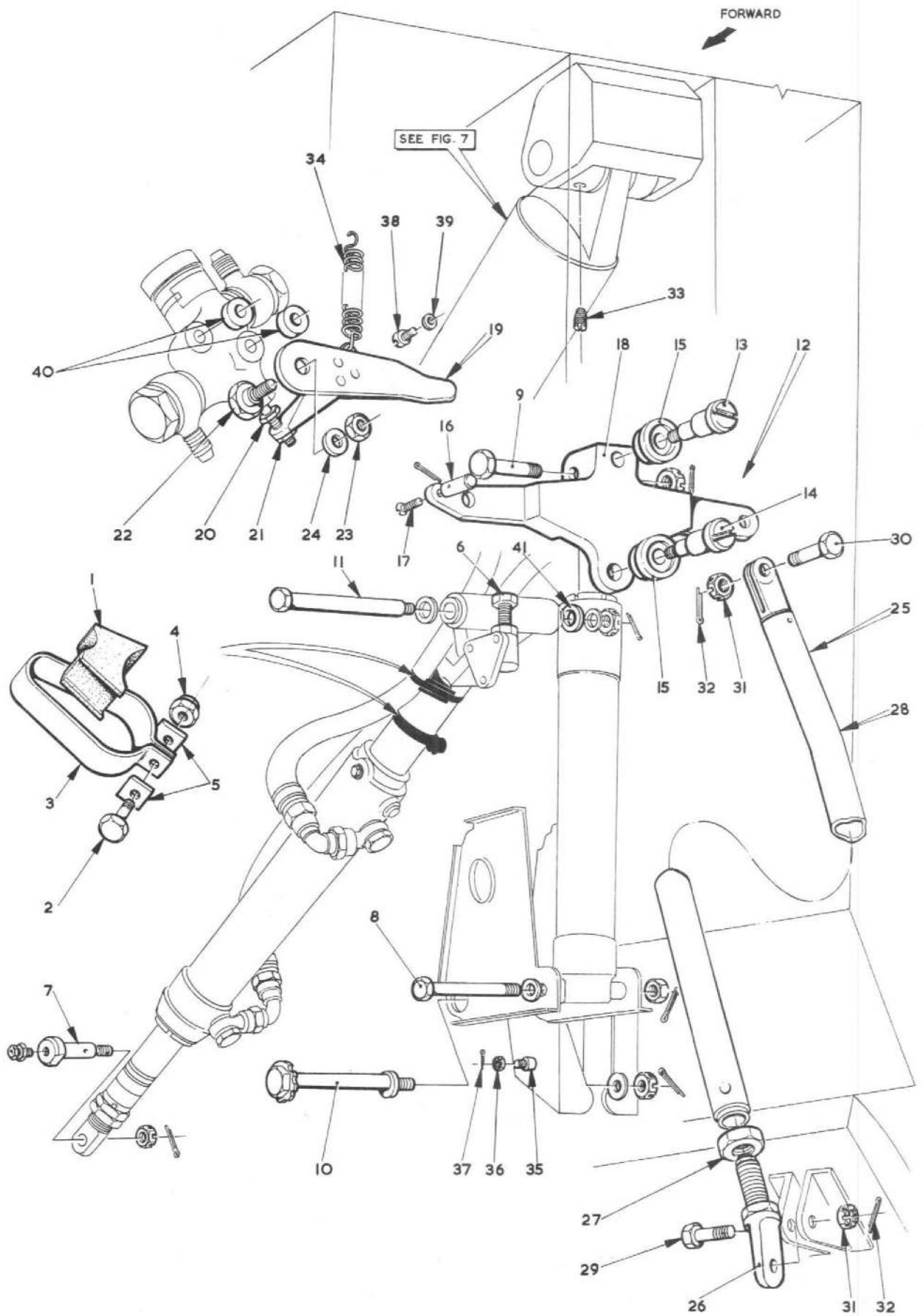
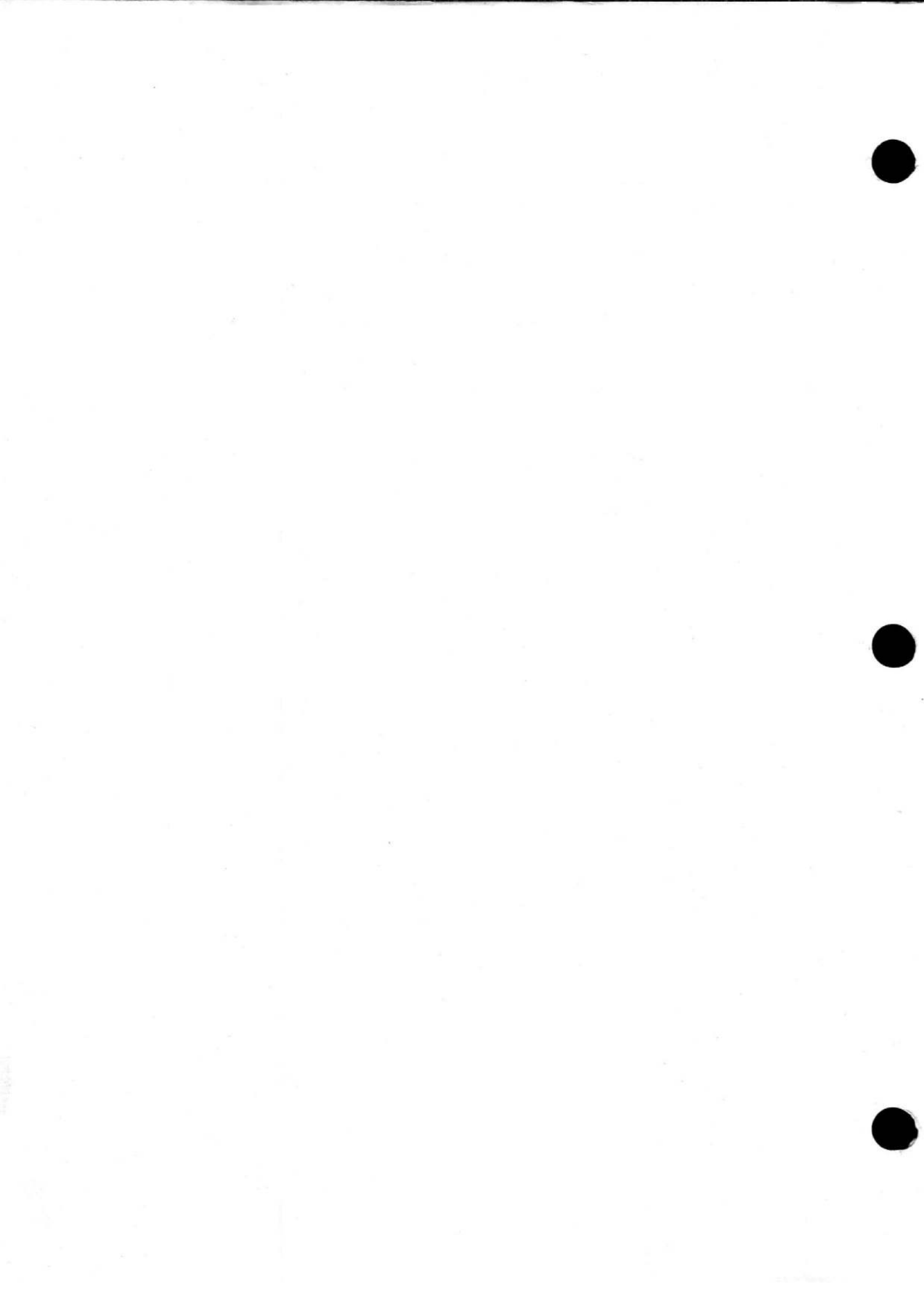


FIG.5 UNDERCARRIAGE NOSEWHEEL

Restricted







This file was downloaded
from the RTFM Library:

Link: www.scottbouch.com/rtfm

Please see site for usage terms,
and more aircraft documents.

