

FIG. I. ARMAMENT ASSEMBLY
Restricted

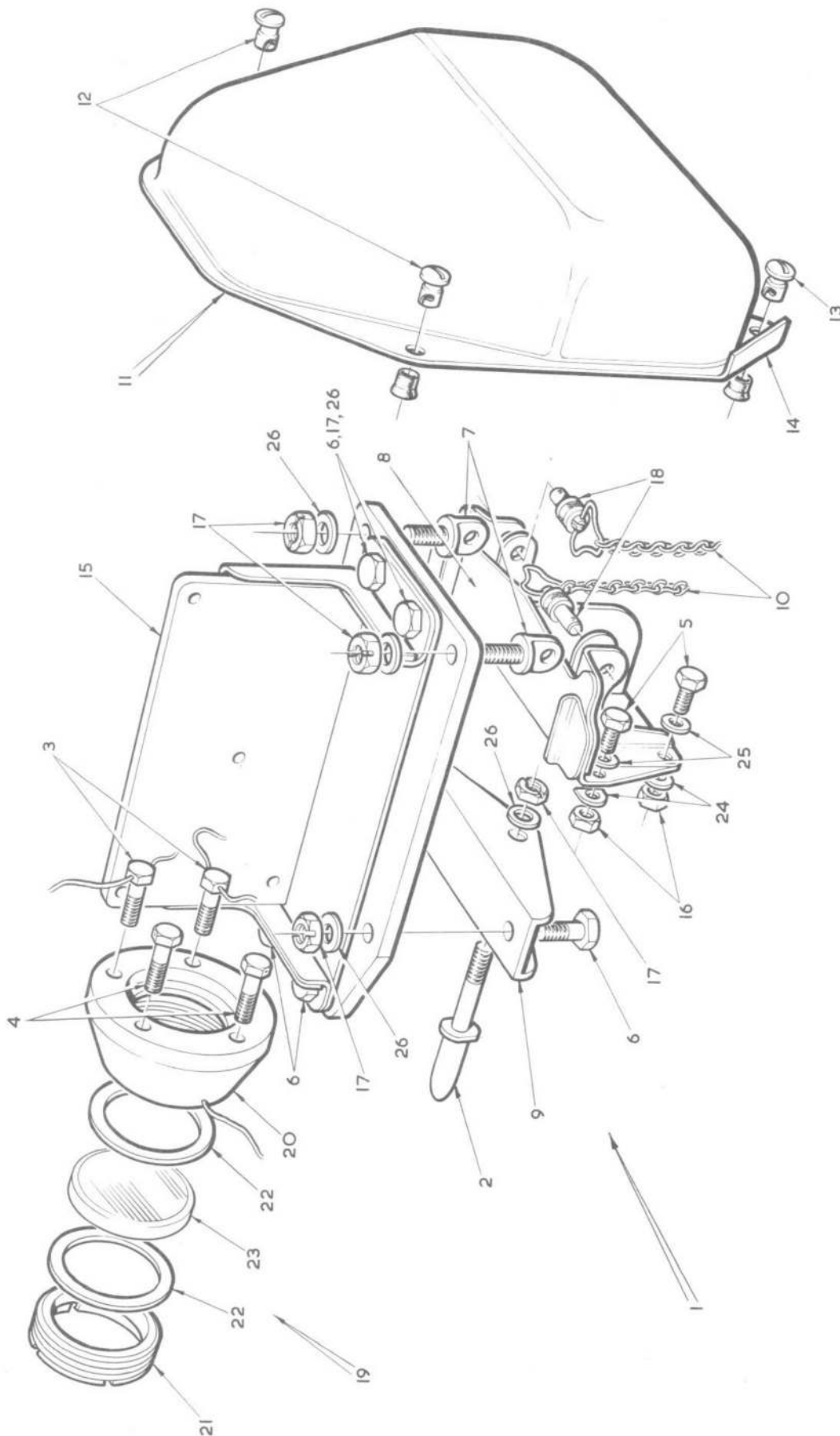


FIG. 2. ARMAMENT, GUN CAMERA
Restricted

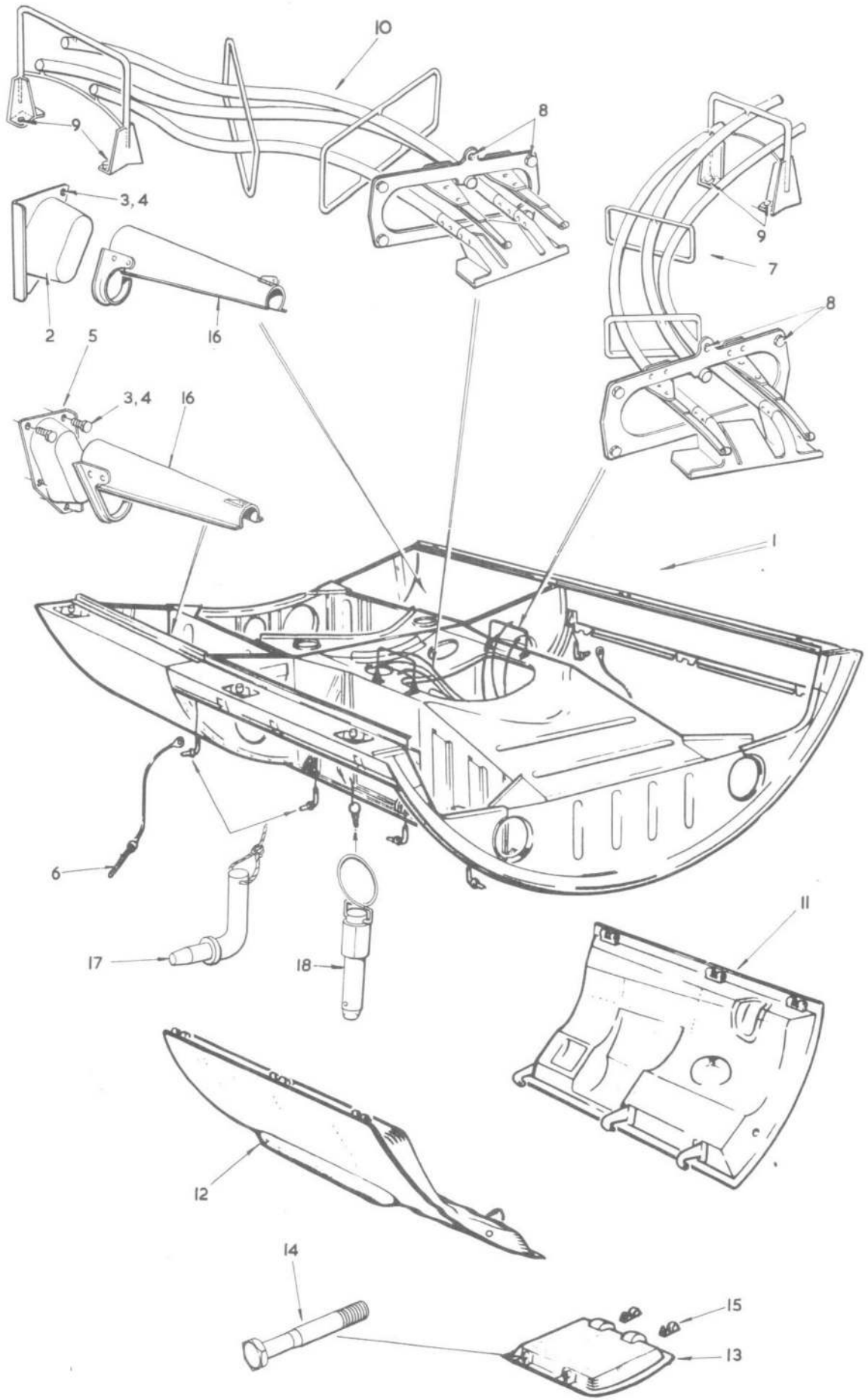


FIG. 3. GUN PACK
Restricted

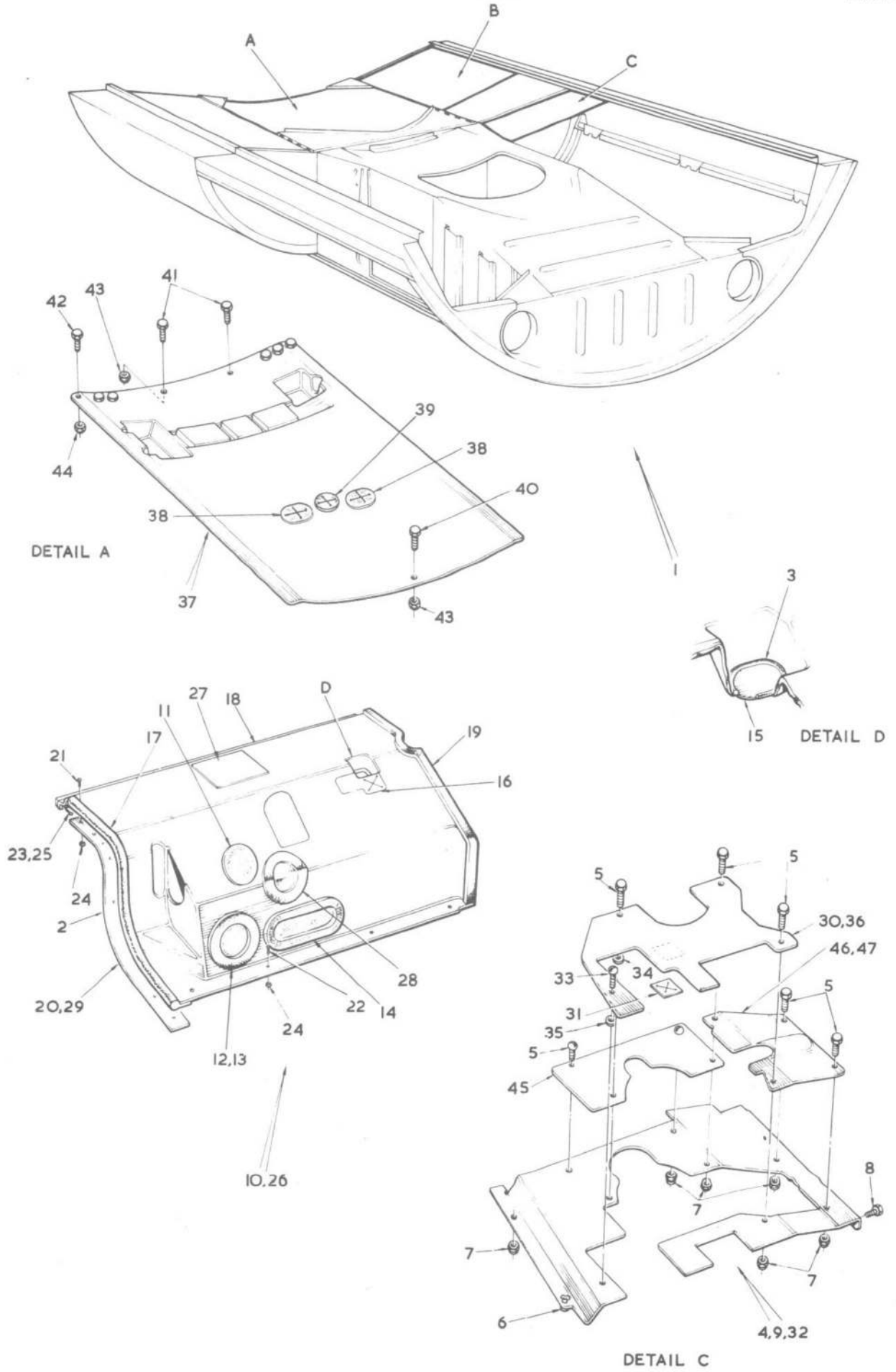
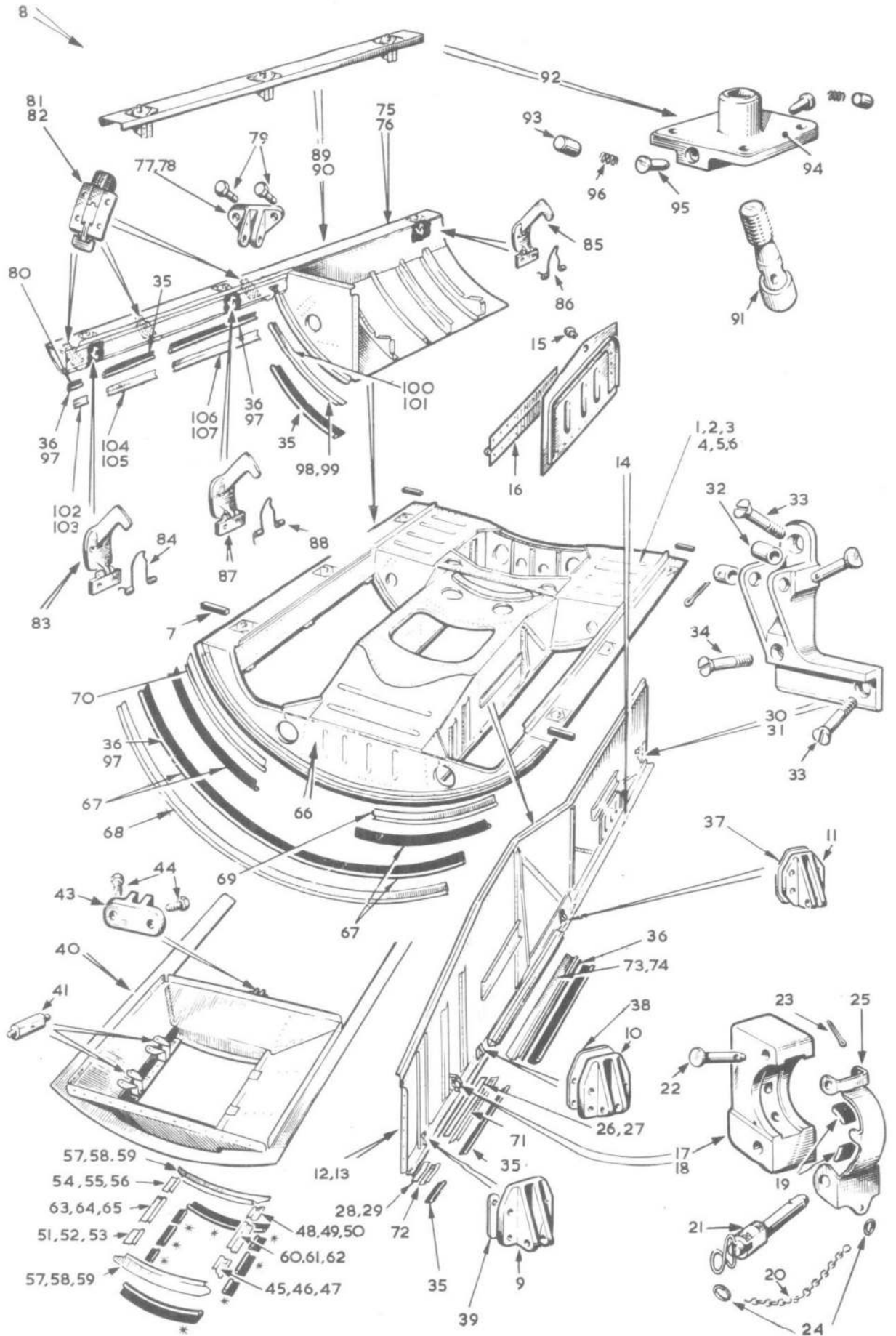


FIG.4. GUN PACK
Restricted



* 42

FIG. 5. GUN PACK
Restricted

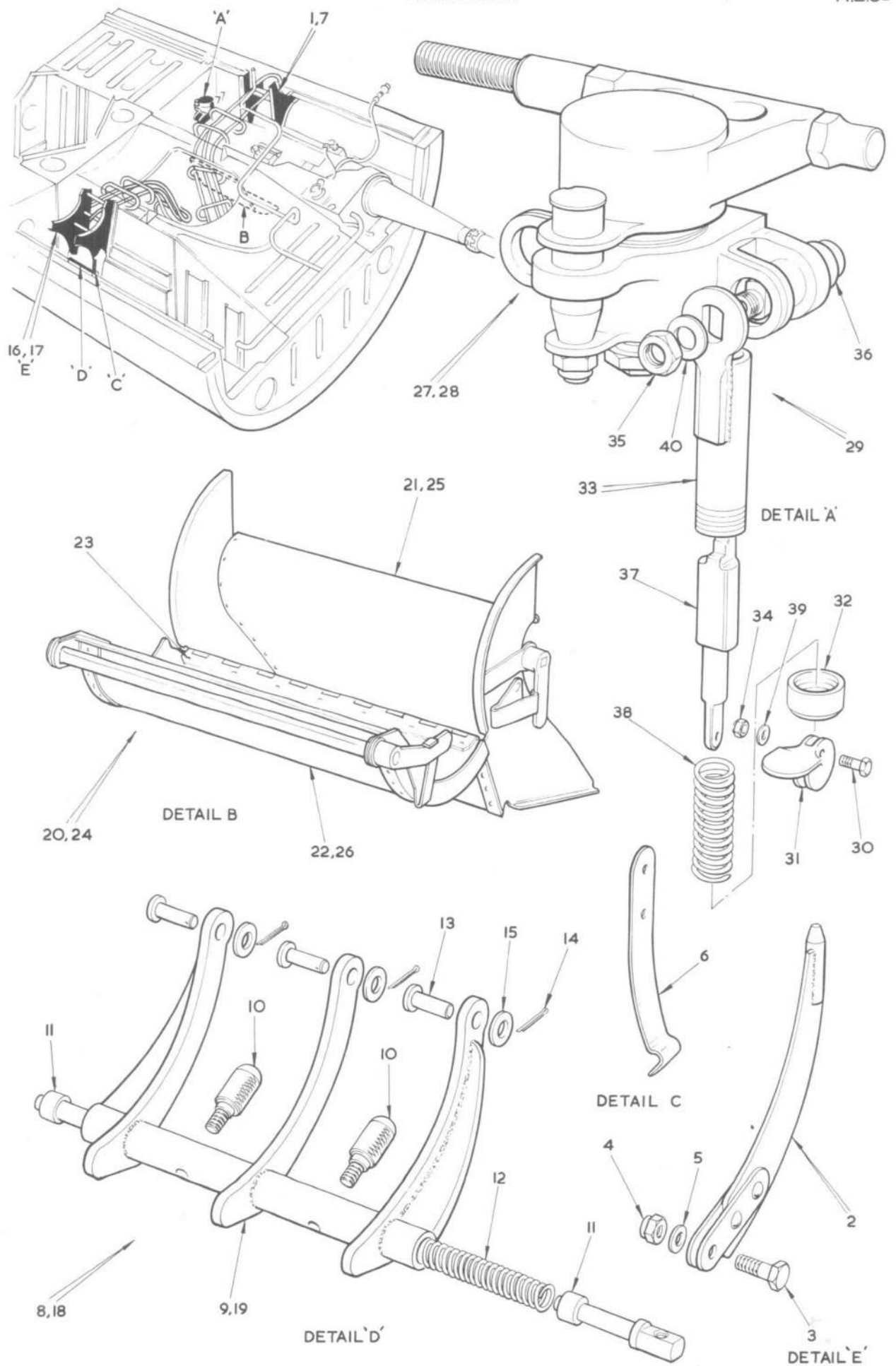


FIG. 6. LOWER GUN
Restricted

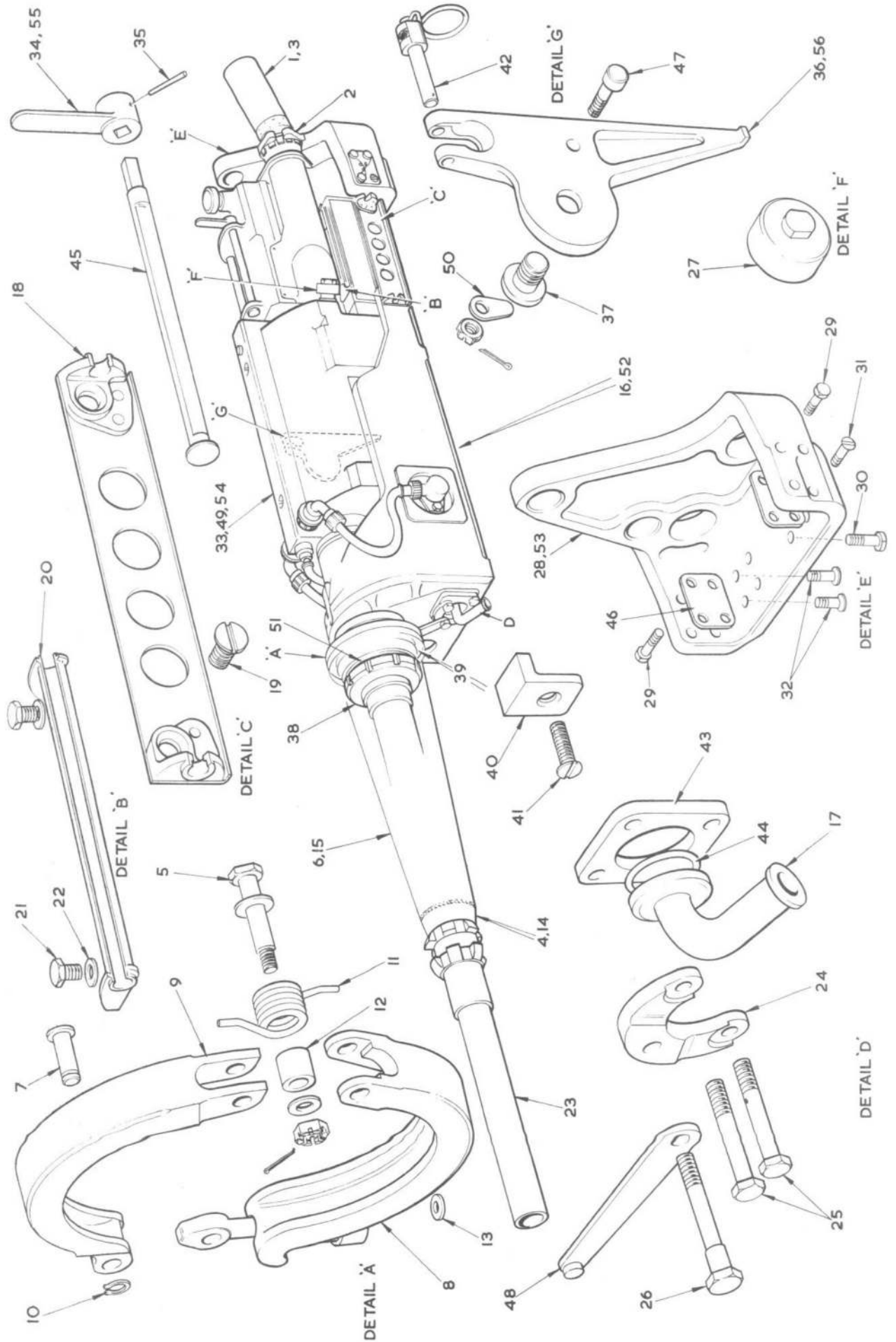


FIG. 6A. LOWER GUN
Restricted

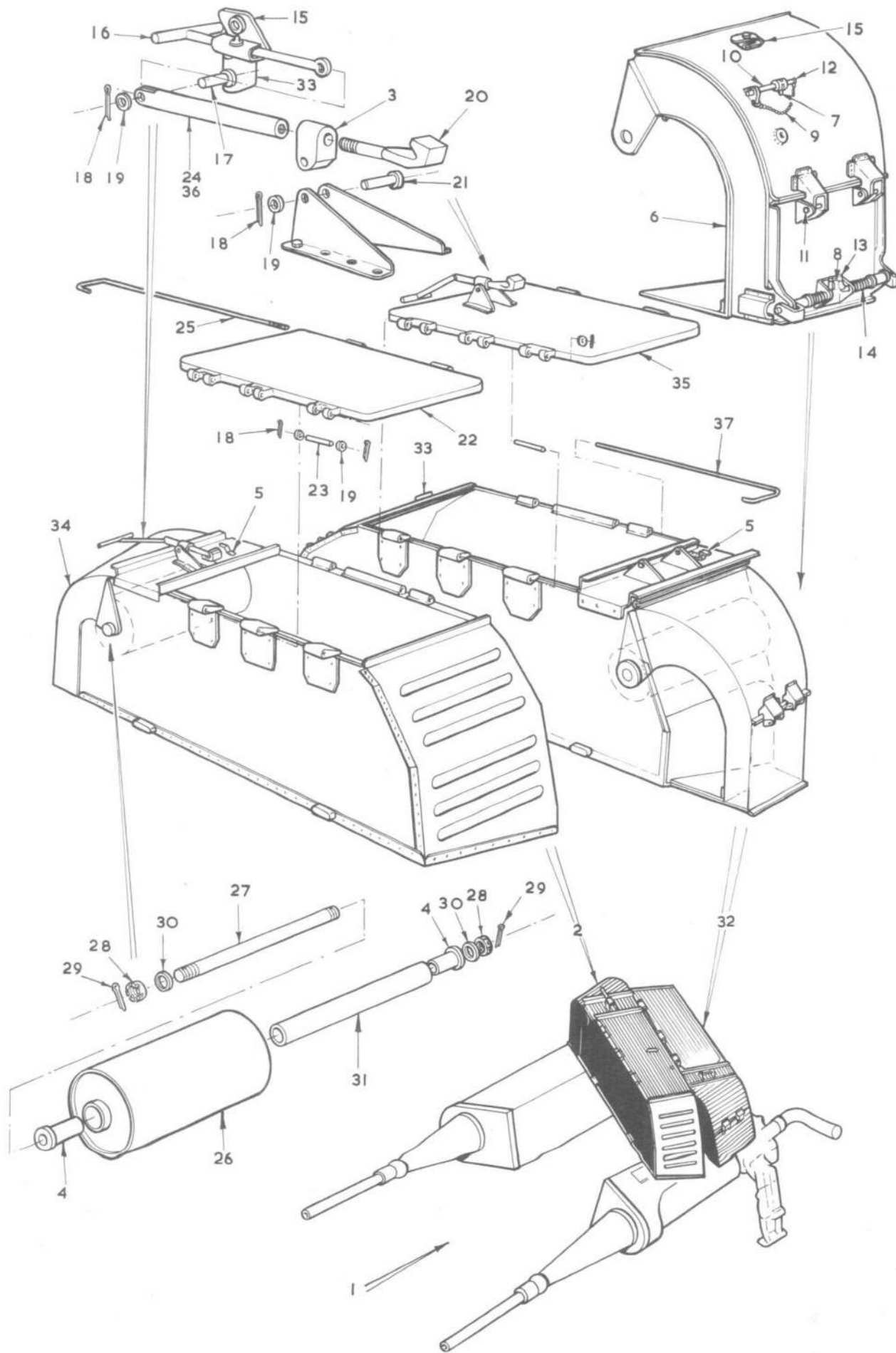
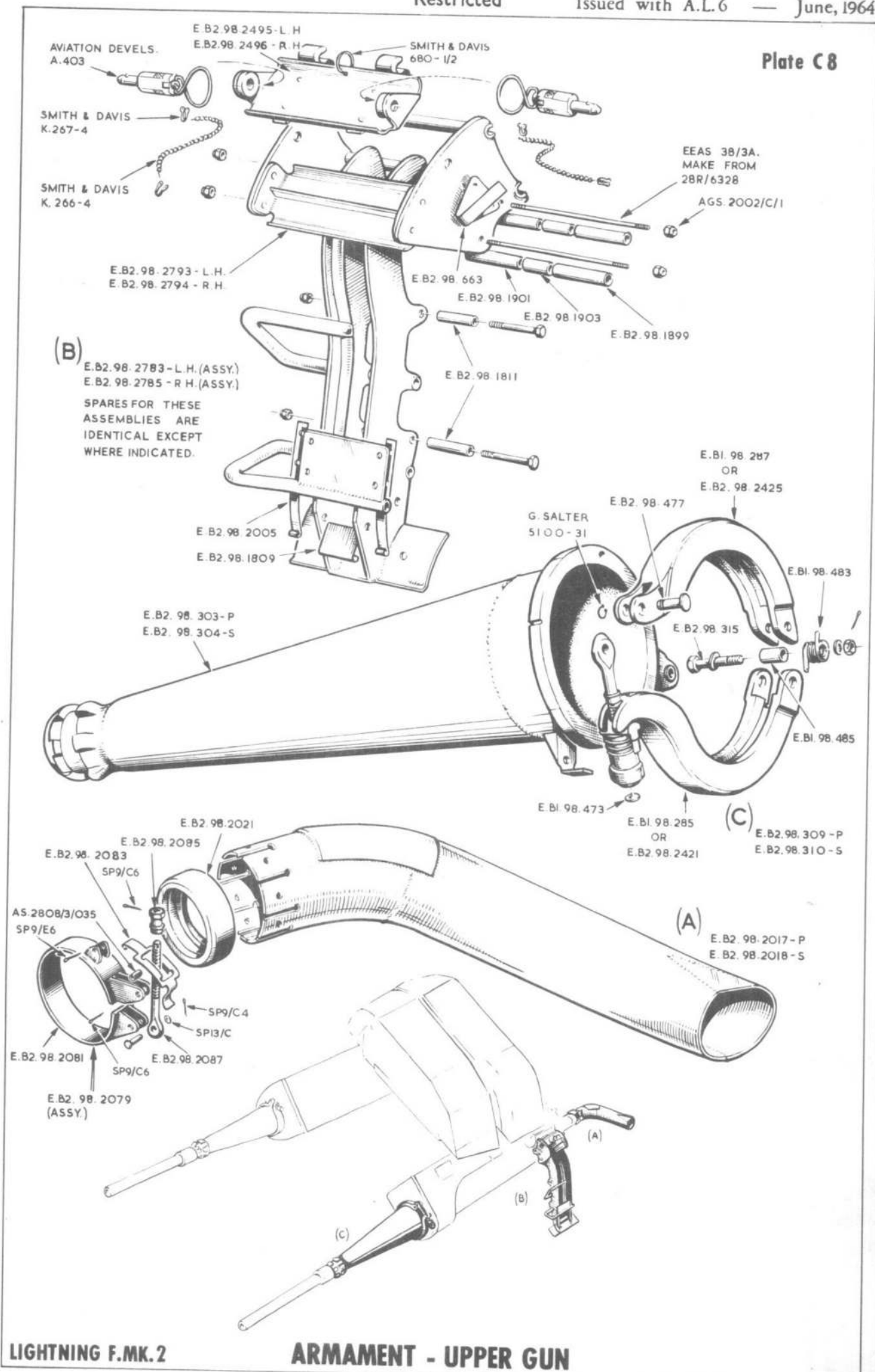


FIG.7. UPPER GUNS
Restricted



LIGHTNING F.MK.2

ARMAMENT - UPPER GUN

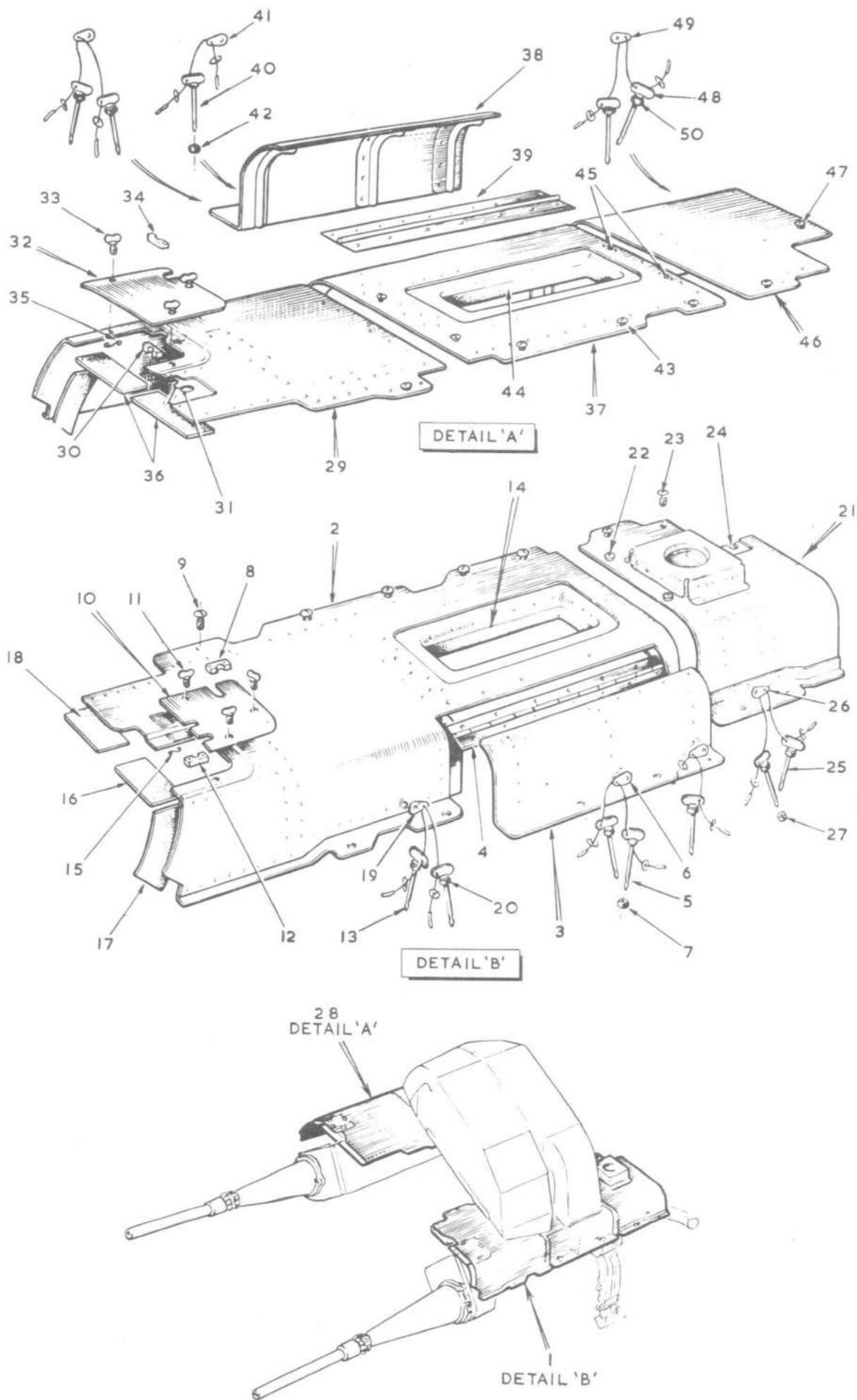


FIG.9. UPPER GUN
Restricted

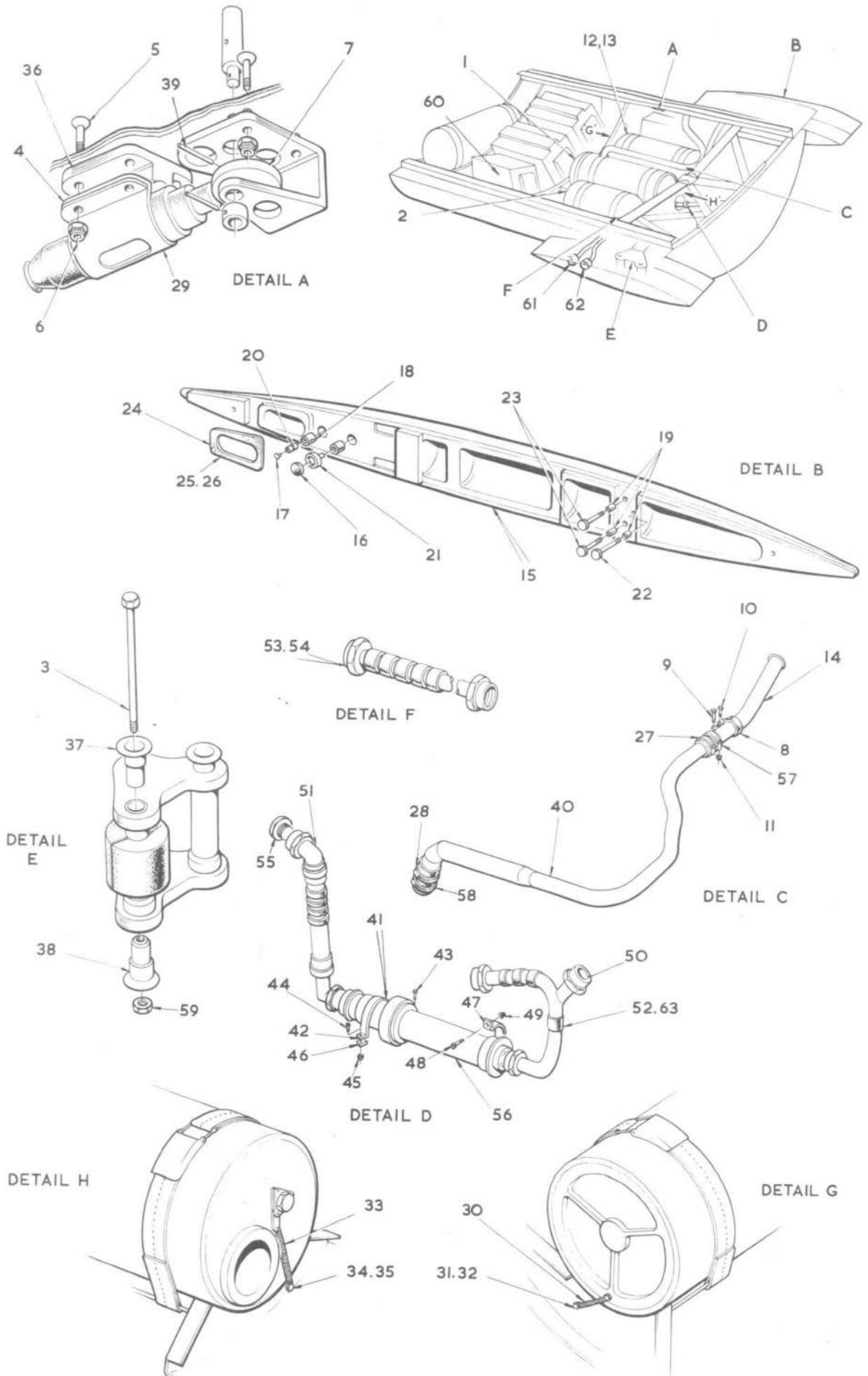


FIG.II. FIRESTREAK PACK INSTALLATION

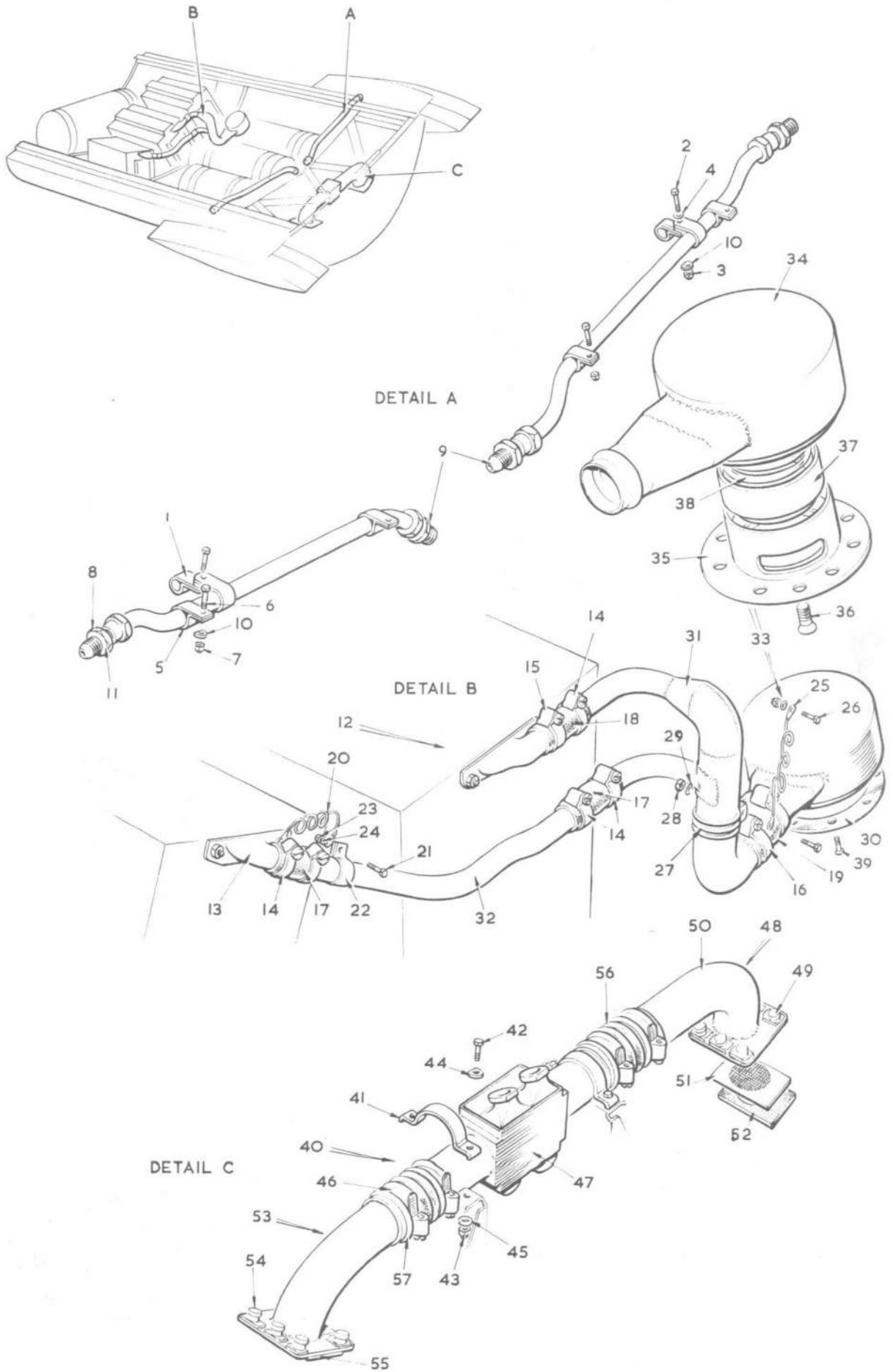


FIG.12. FIRESTREAK PACK INSTALLATION
Restricted

FOR DETAILS B,C,& D
SEE FIG.13A SECT. C

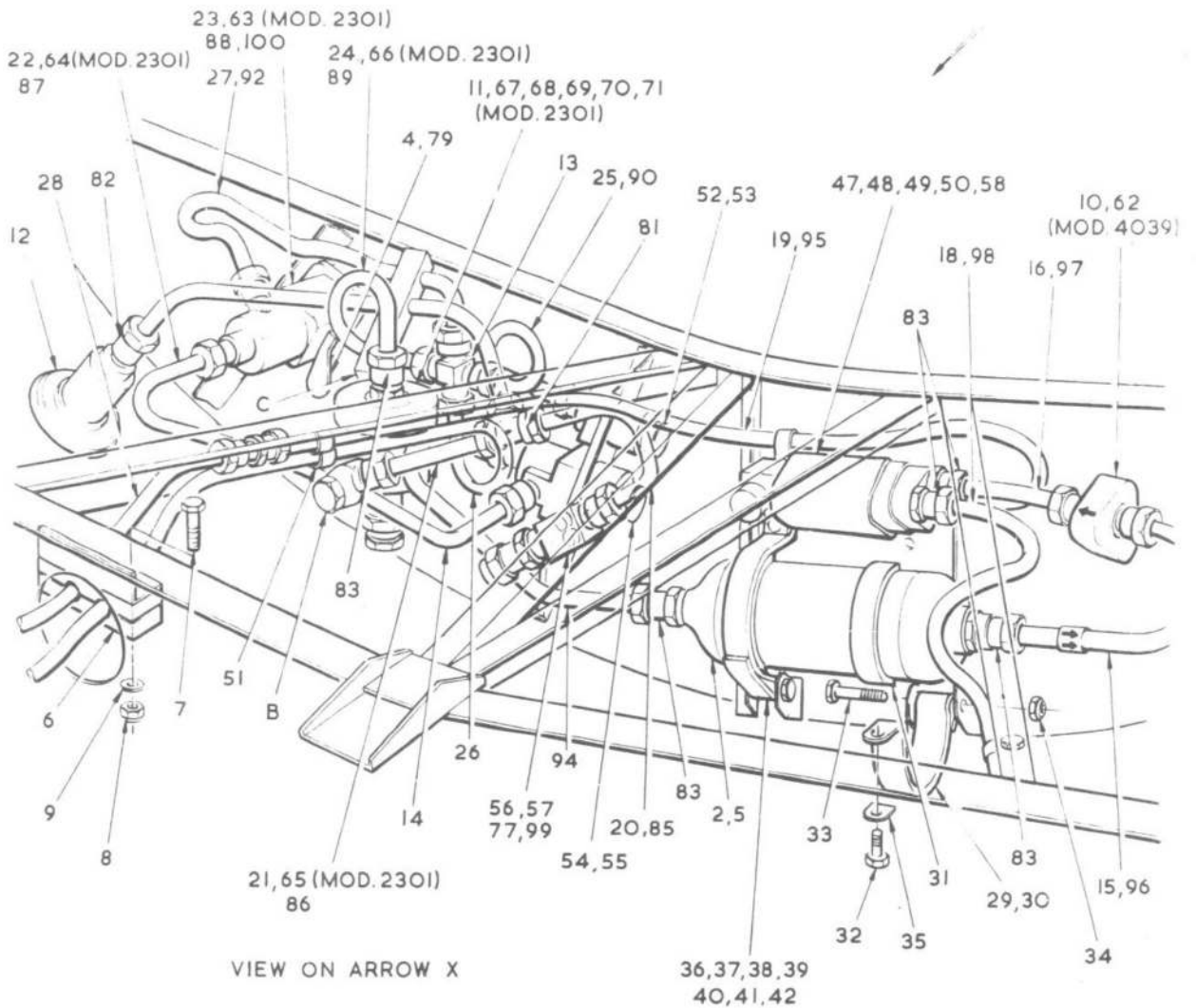
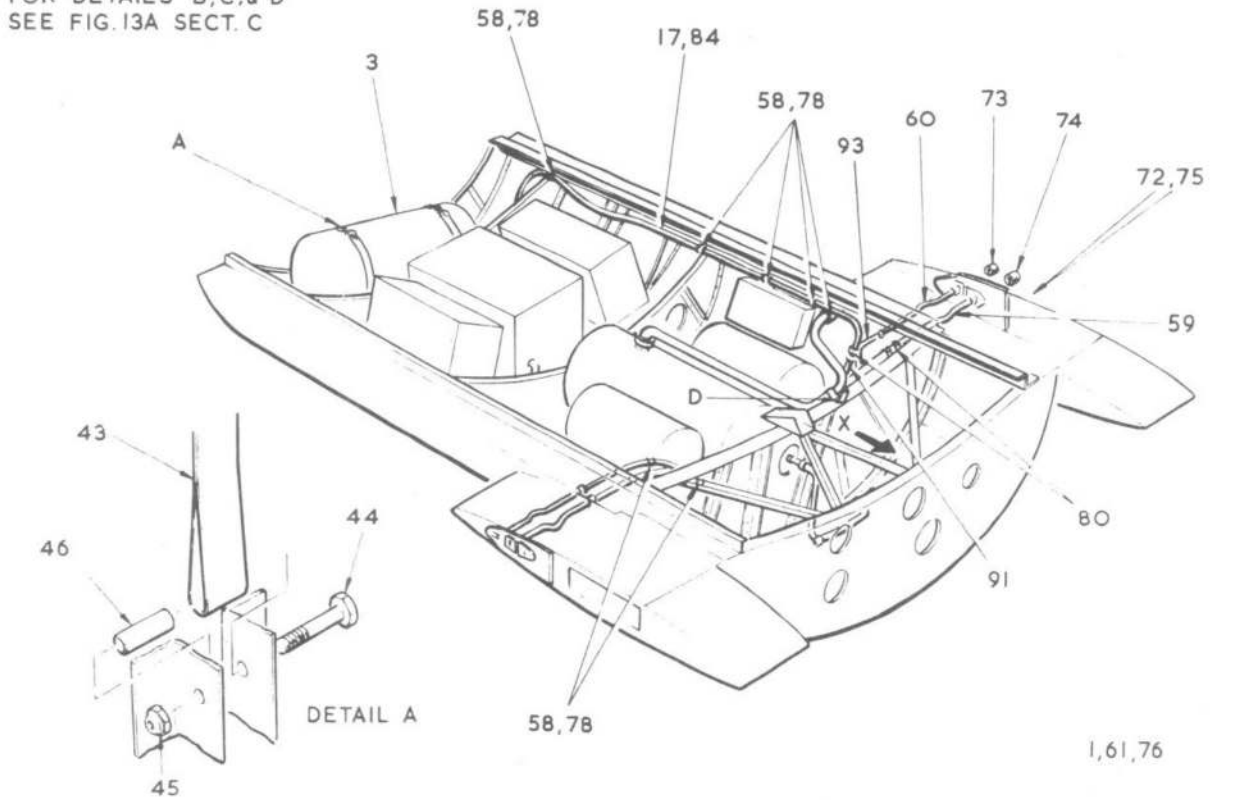


FIG.13. FIRESTREAK PACK INSTALLATION
Restricted

FOR LOCATION OF DETAILS
B, C & D SEE FIG.13 SECT. C

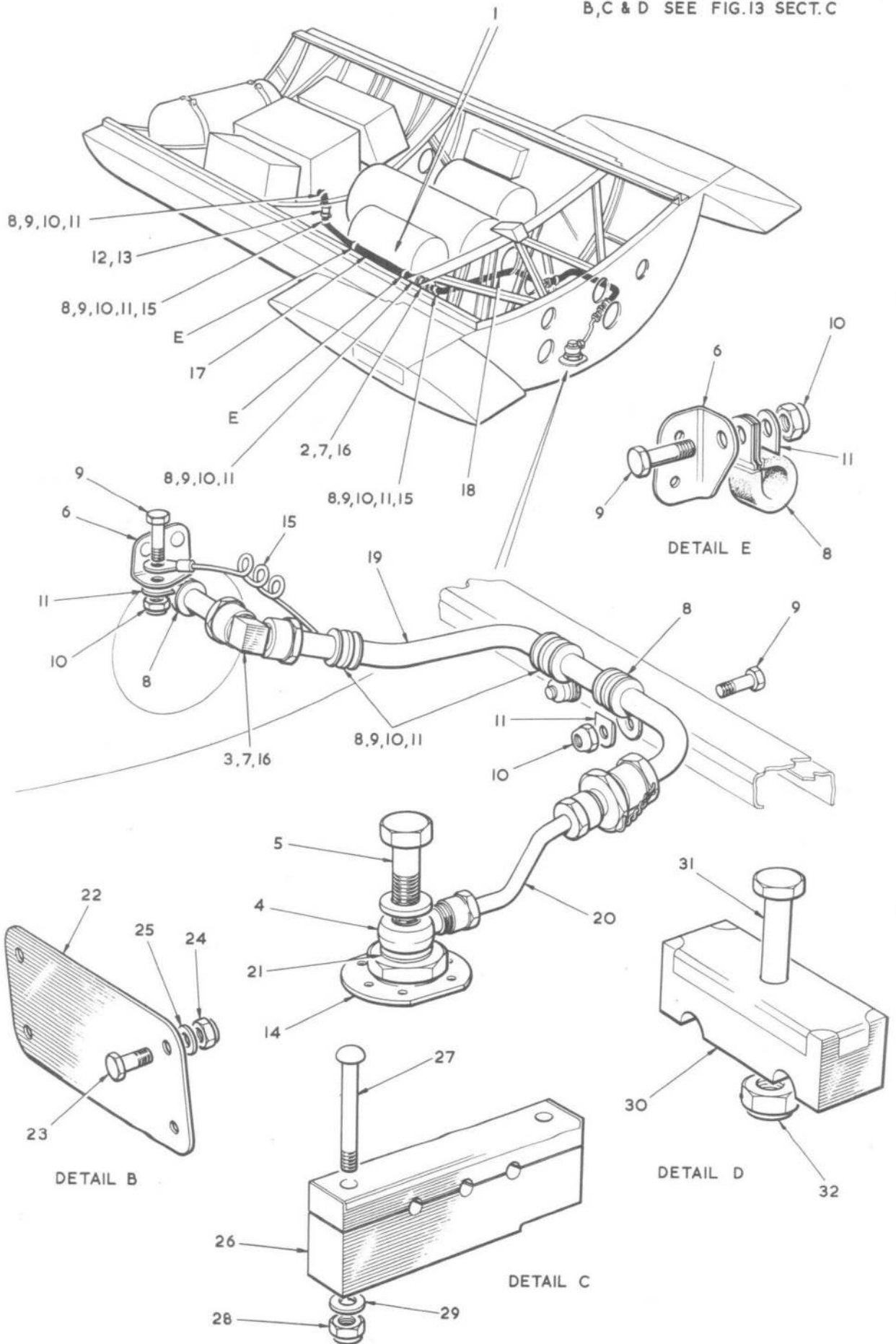


FIG.13A. FIRESTREAK PACK INSTALLATION
Restricted

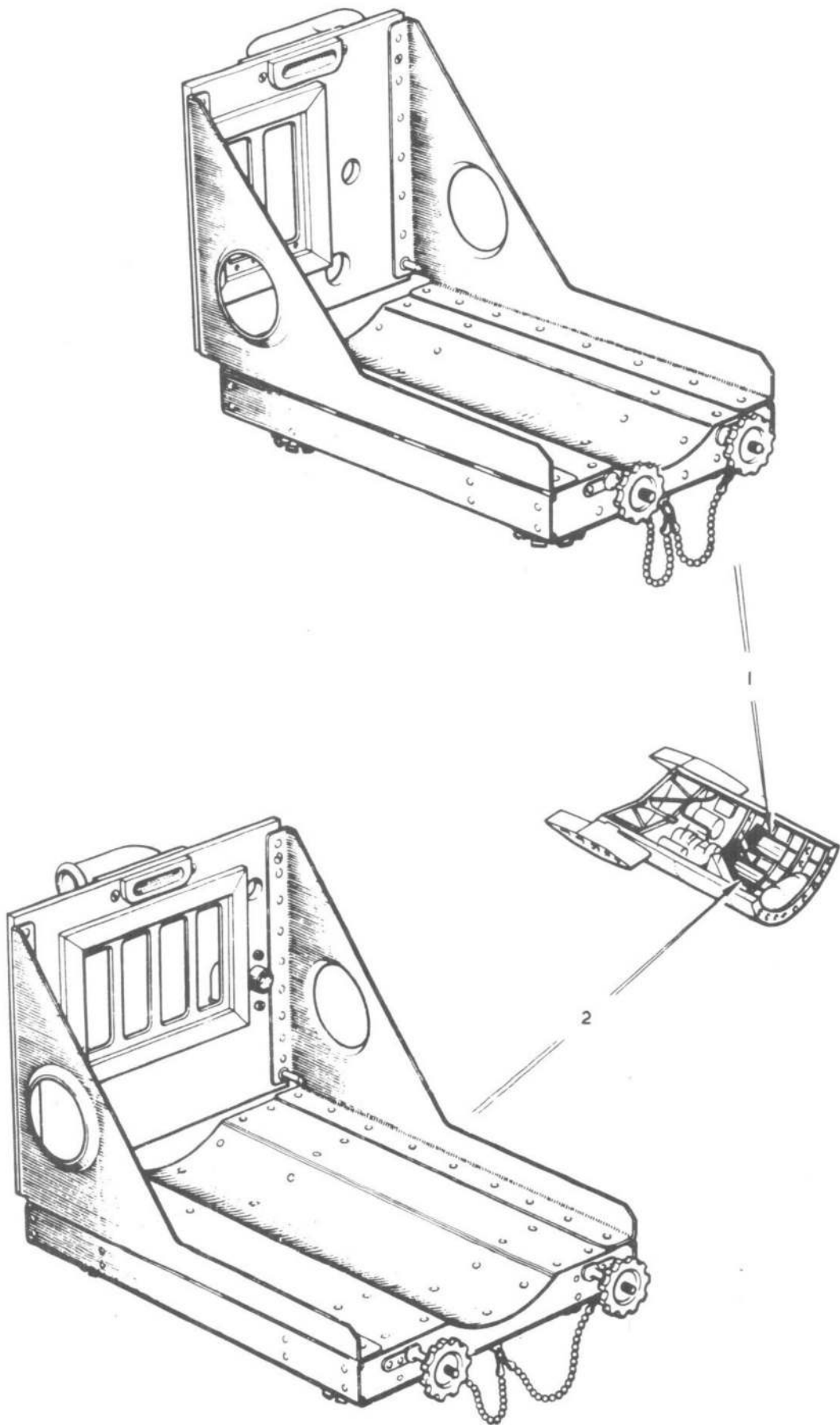


FIG.14. FIRESTREAK PACK INSTALLATION
Restricted

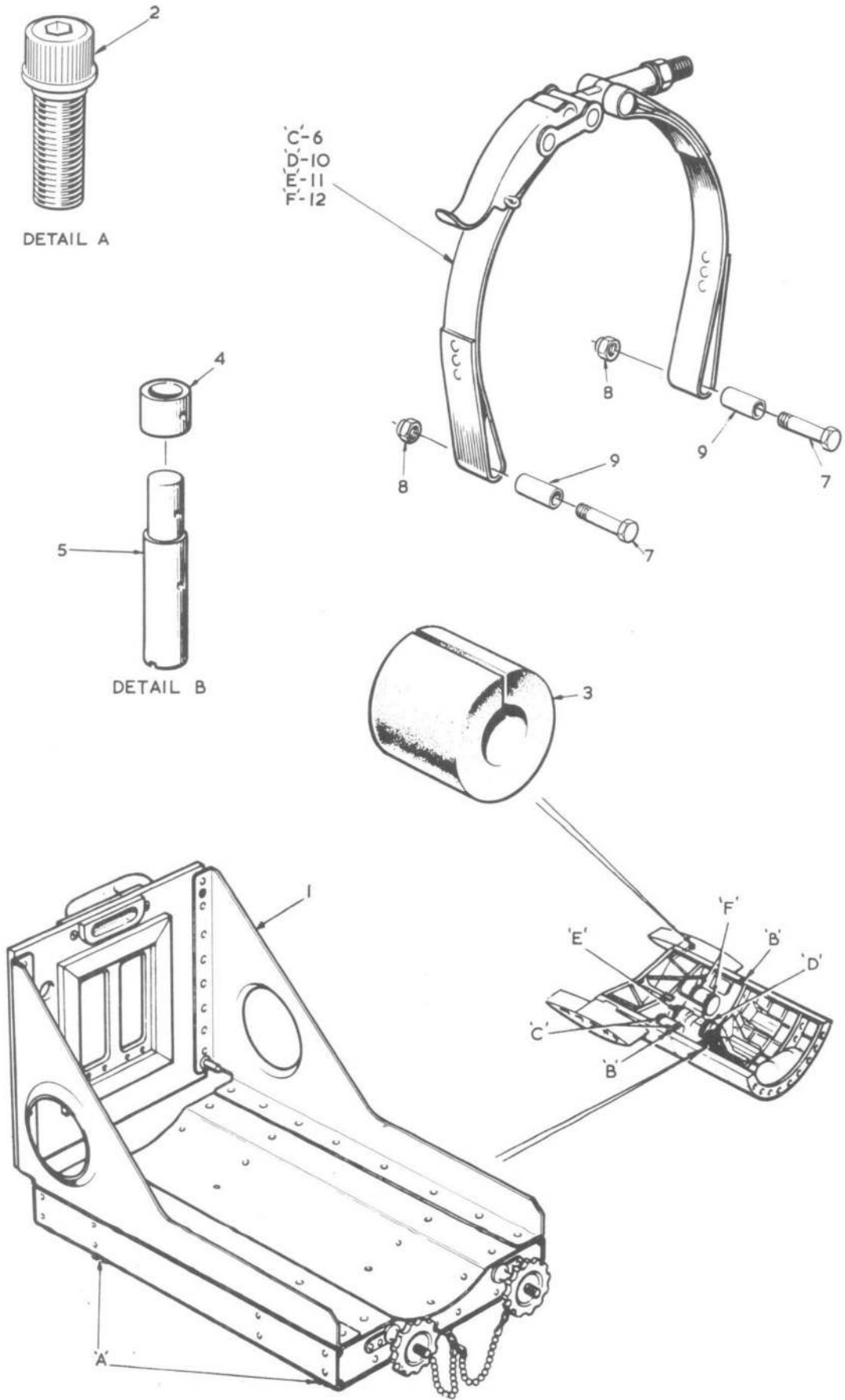


FIG.15. FIRESTREAK PACK INSTALLATION
Restricted

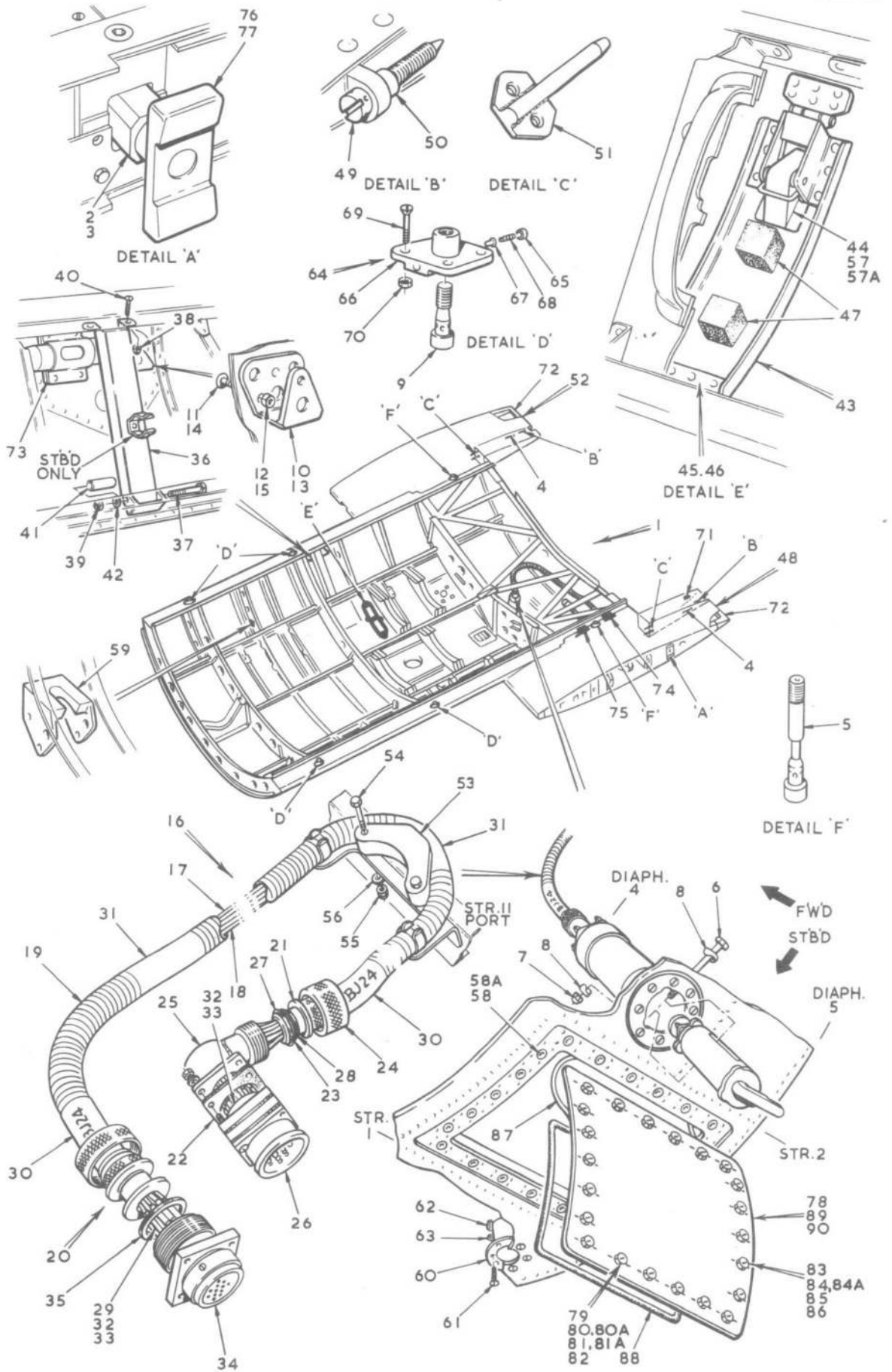


FIG.16. FIRESTREAK PACK INSTALLATION

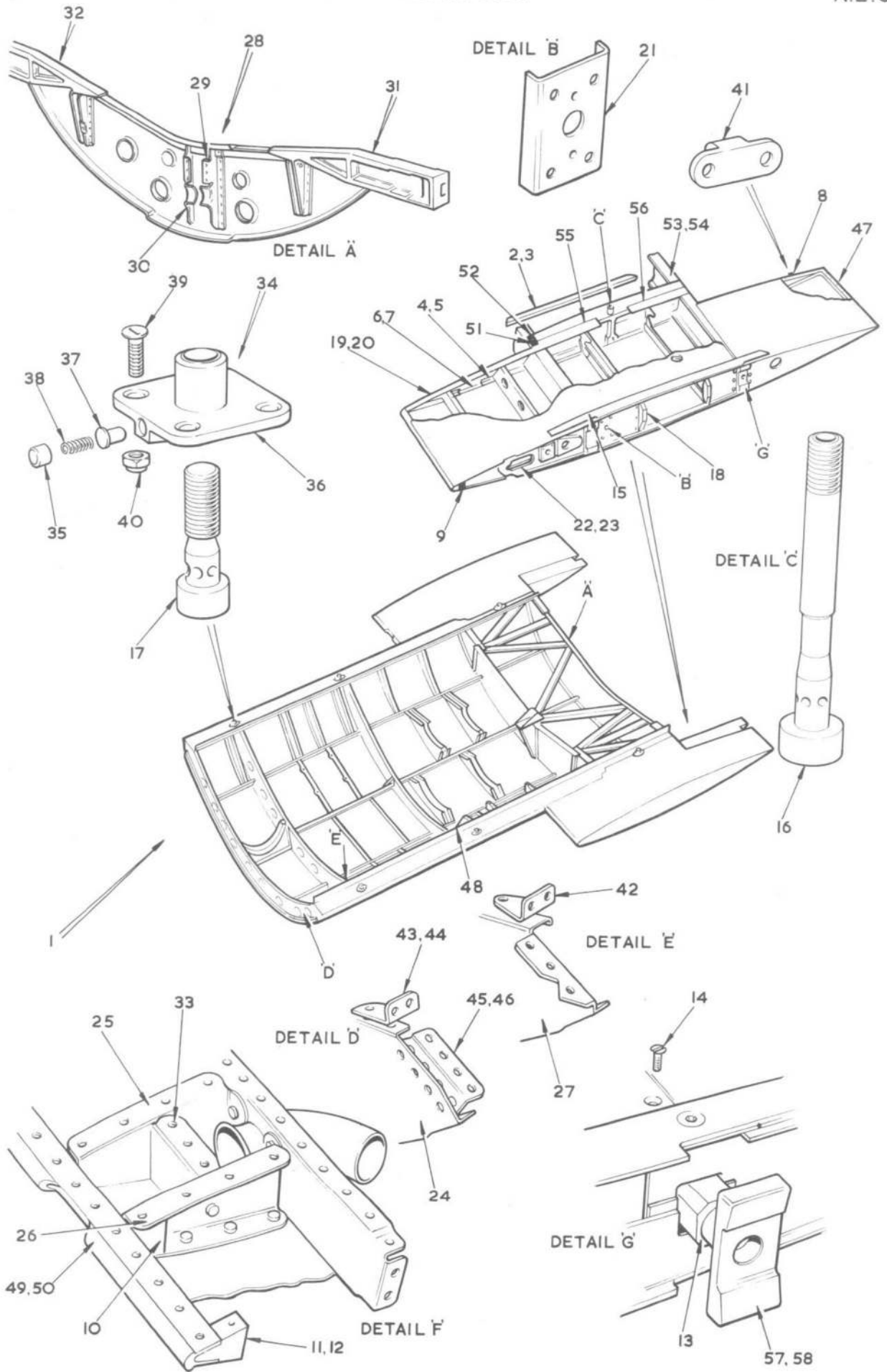


FIG. 17. FIRESTREAK PACK INSTALLATION
Restricted

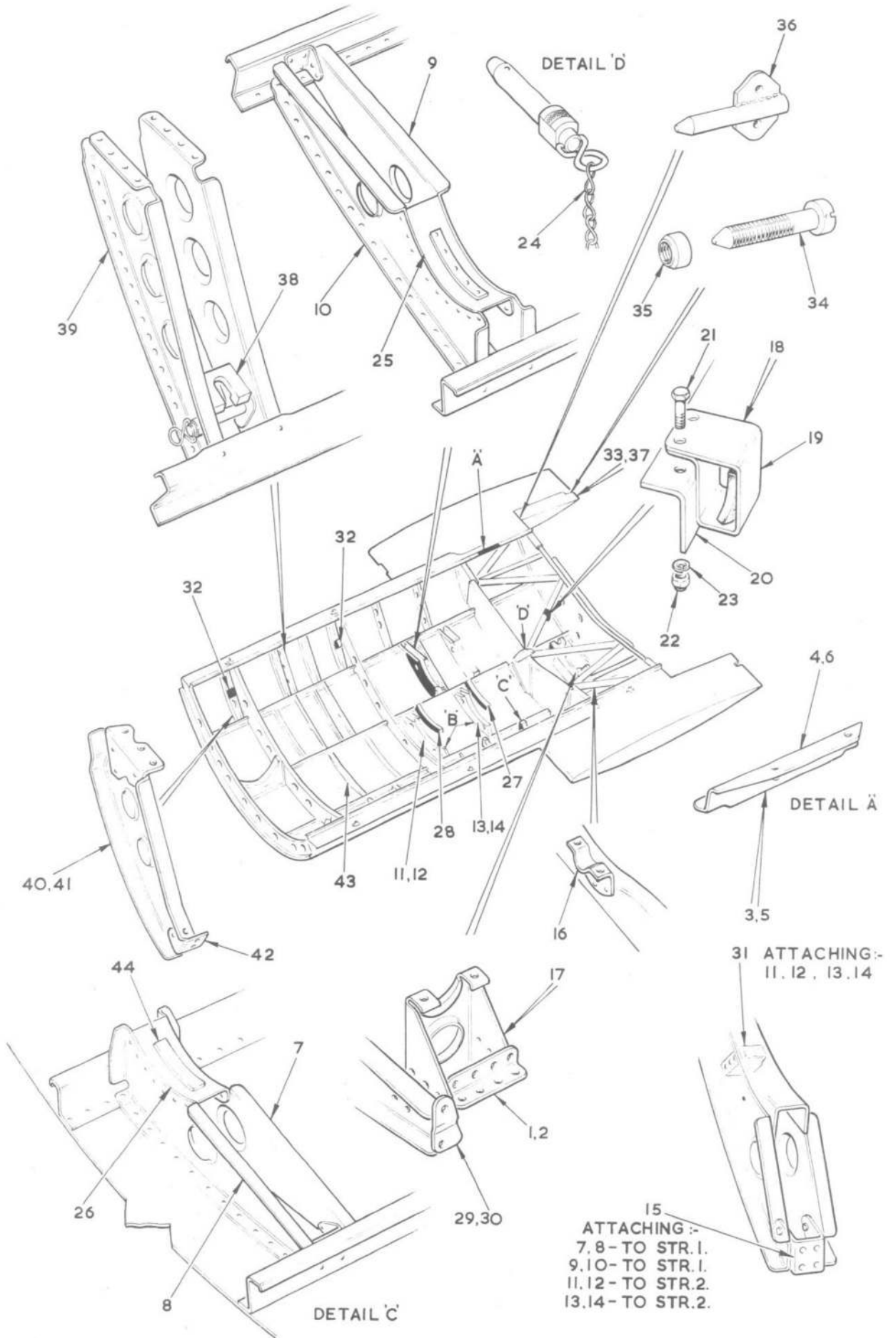


FIG.17A. FIRESTREAK PACK INSTALLATION
Restricted

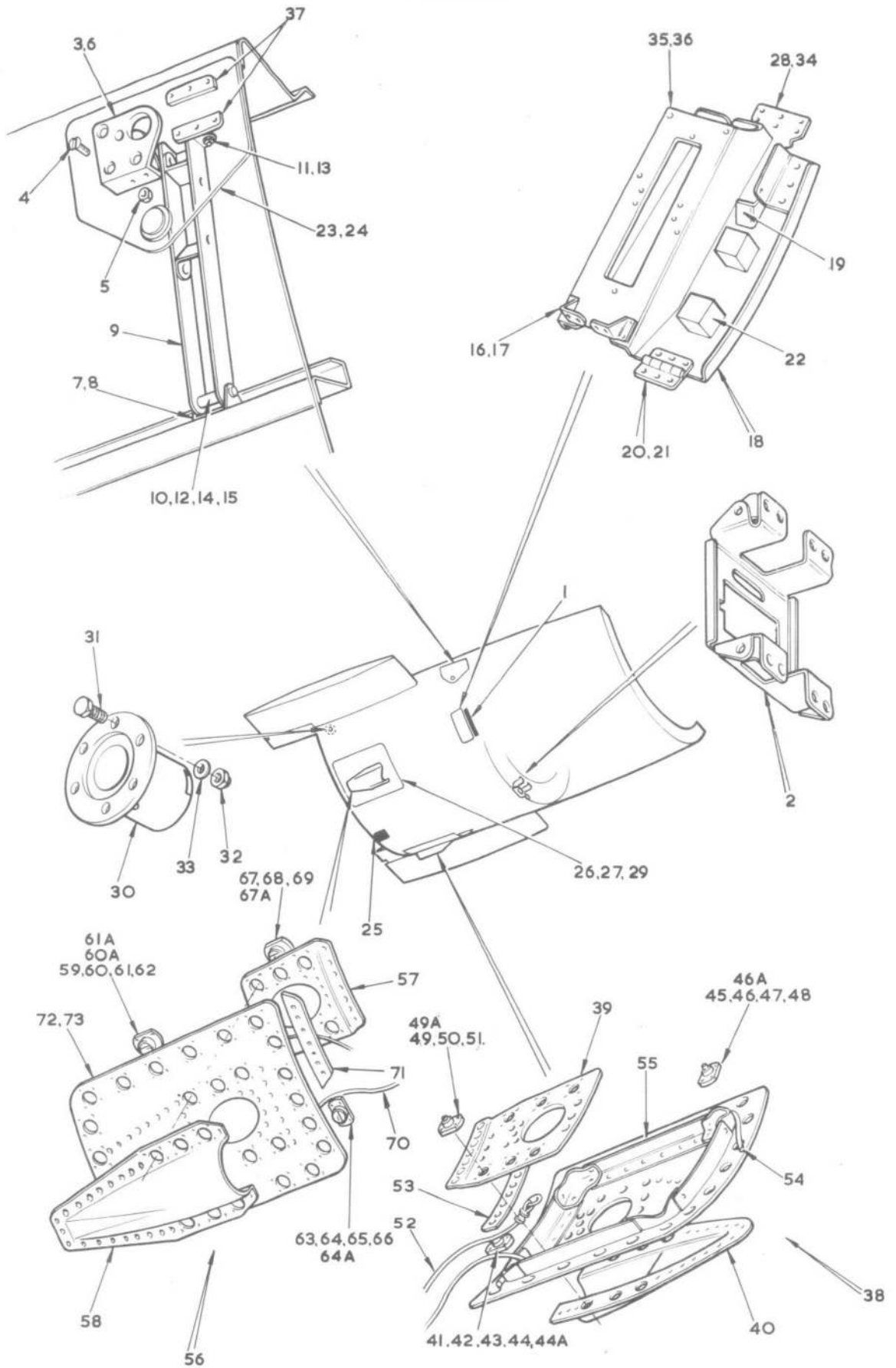


FIG.17B. FIRESTREAK PACK INSTALLATION
Restricted

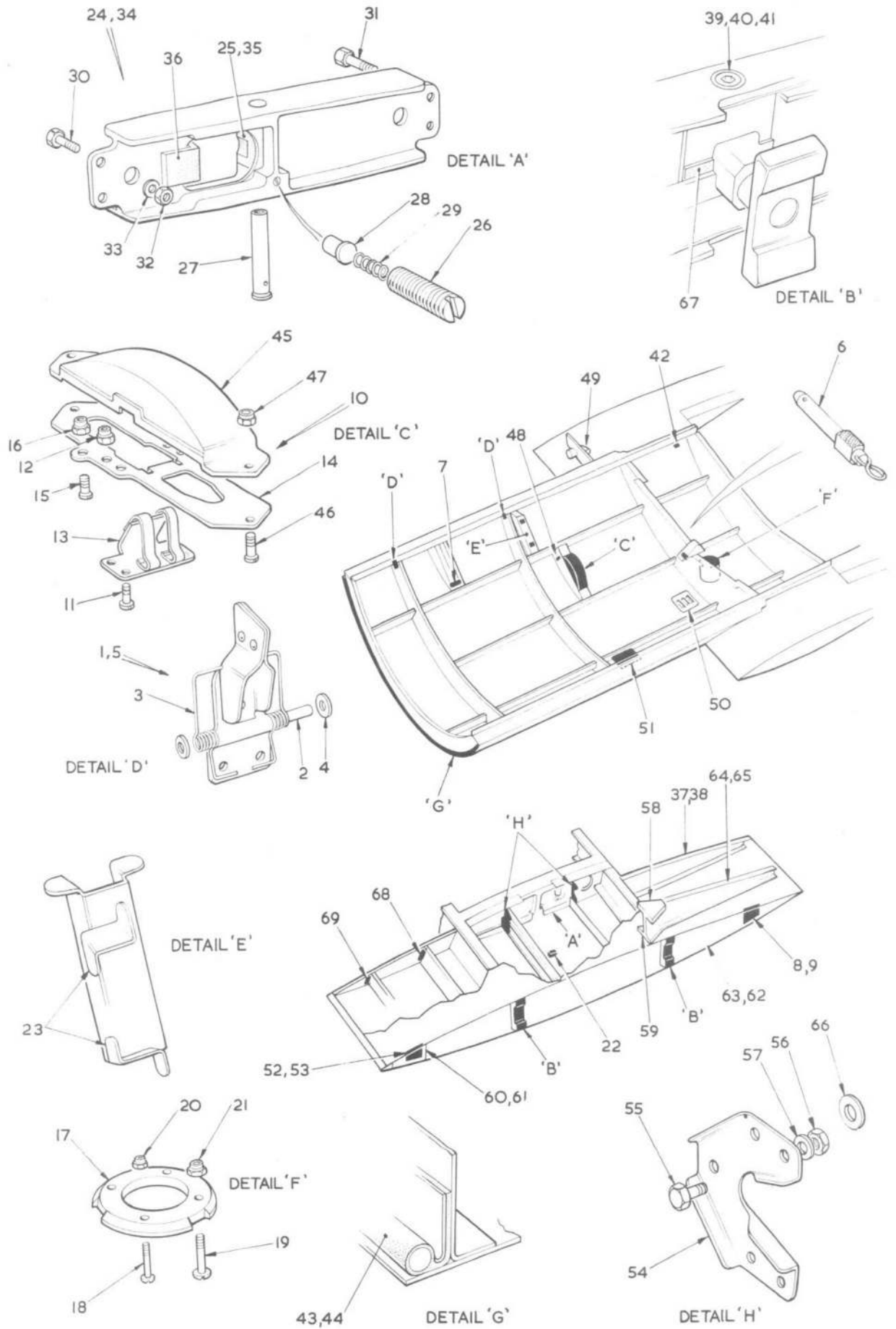


FIG.18. FIRESTREAK PACK INSTALLATION

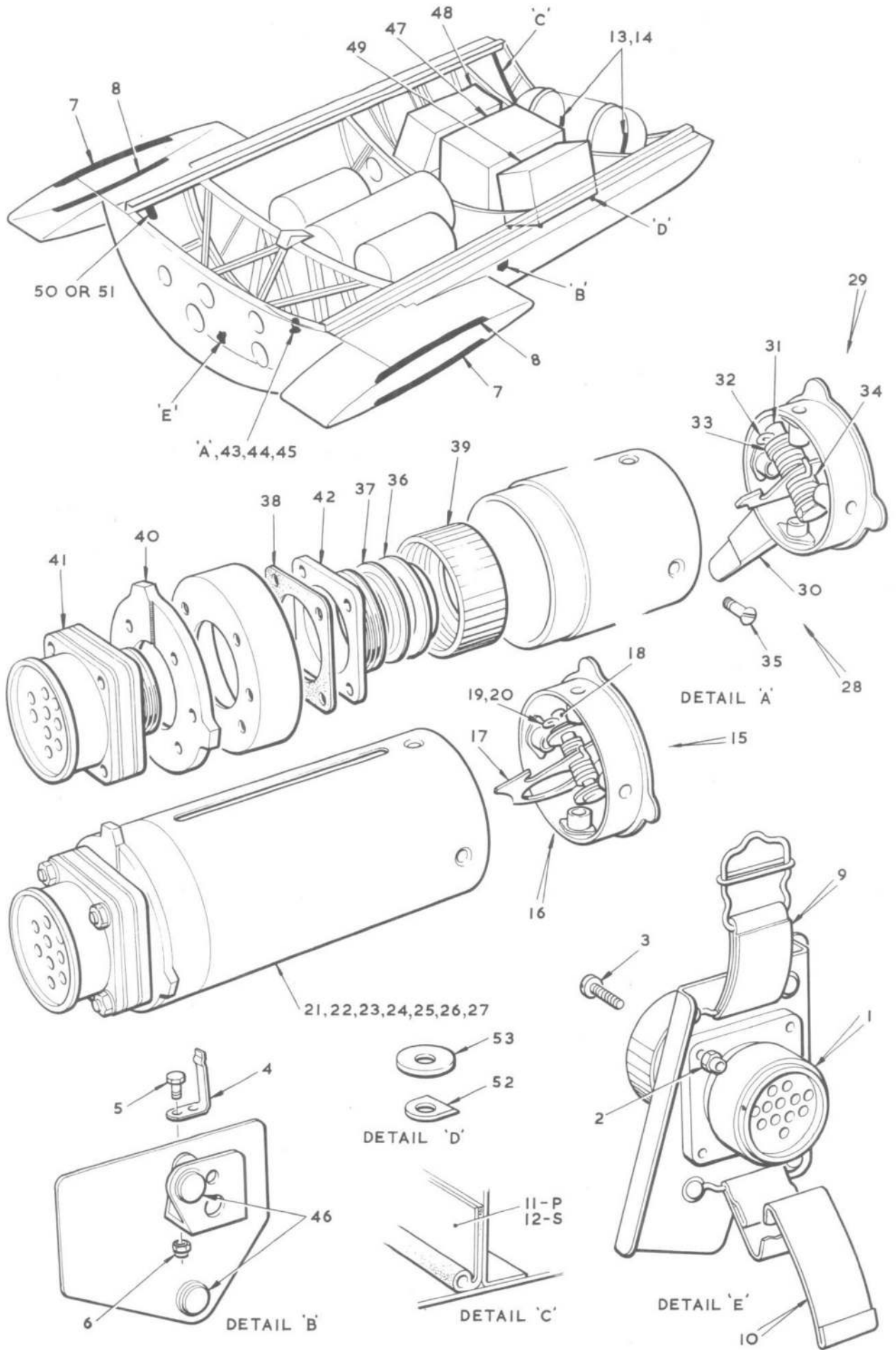


FIG.19. FIRESTREAK PACK INSTALLATION
Restricted

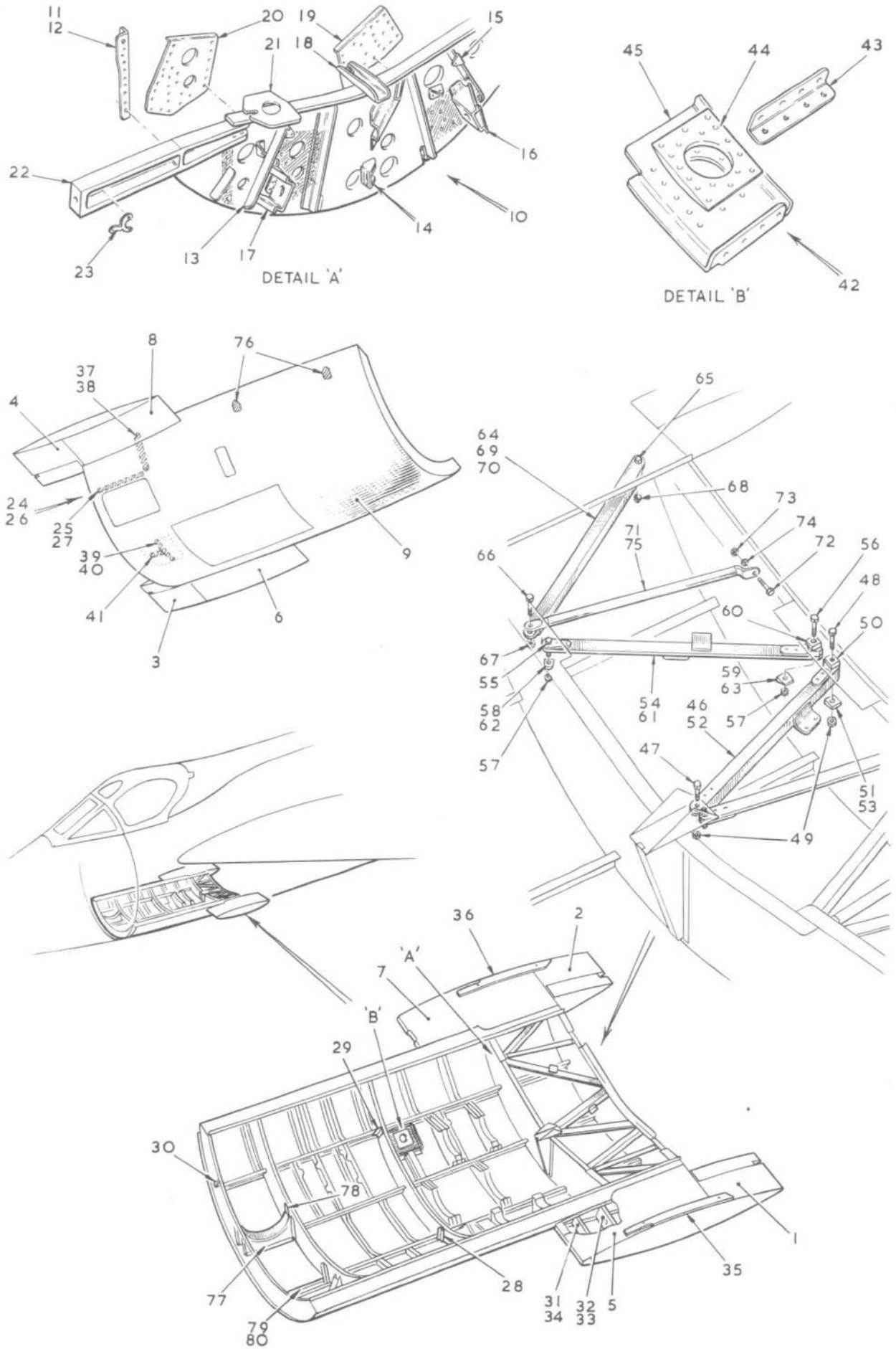


FIG.20. FIREBREAK PACK INSTALLATION

Restricted

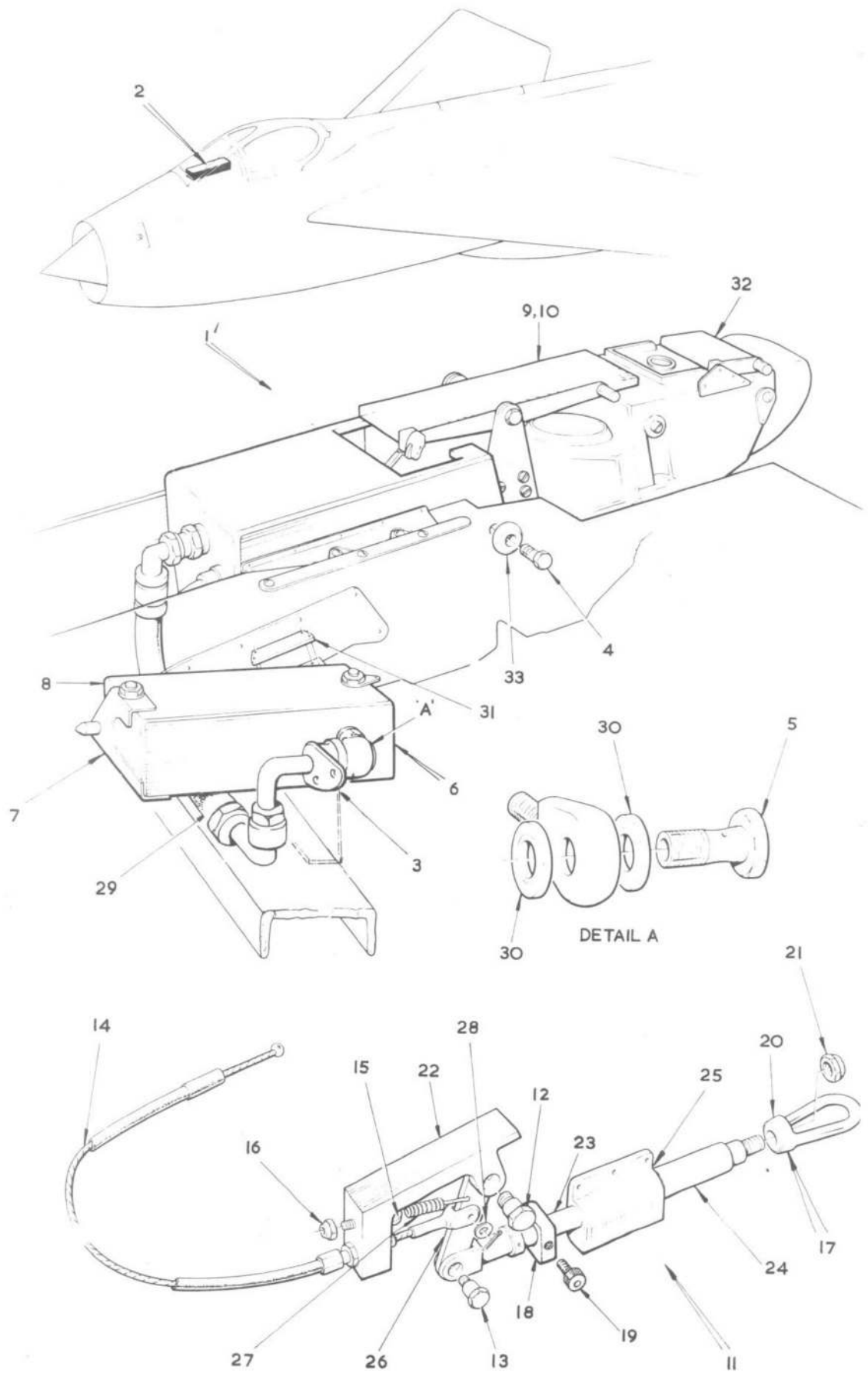


FIG. 21. PILOT'S ATTACK SIGHT, MK. I, GUNSIGHT
Restricted

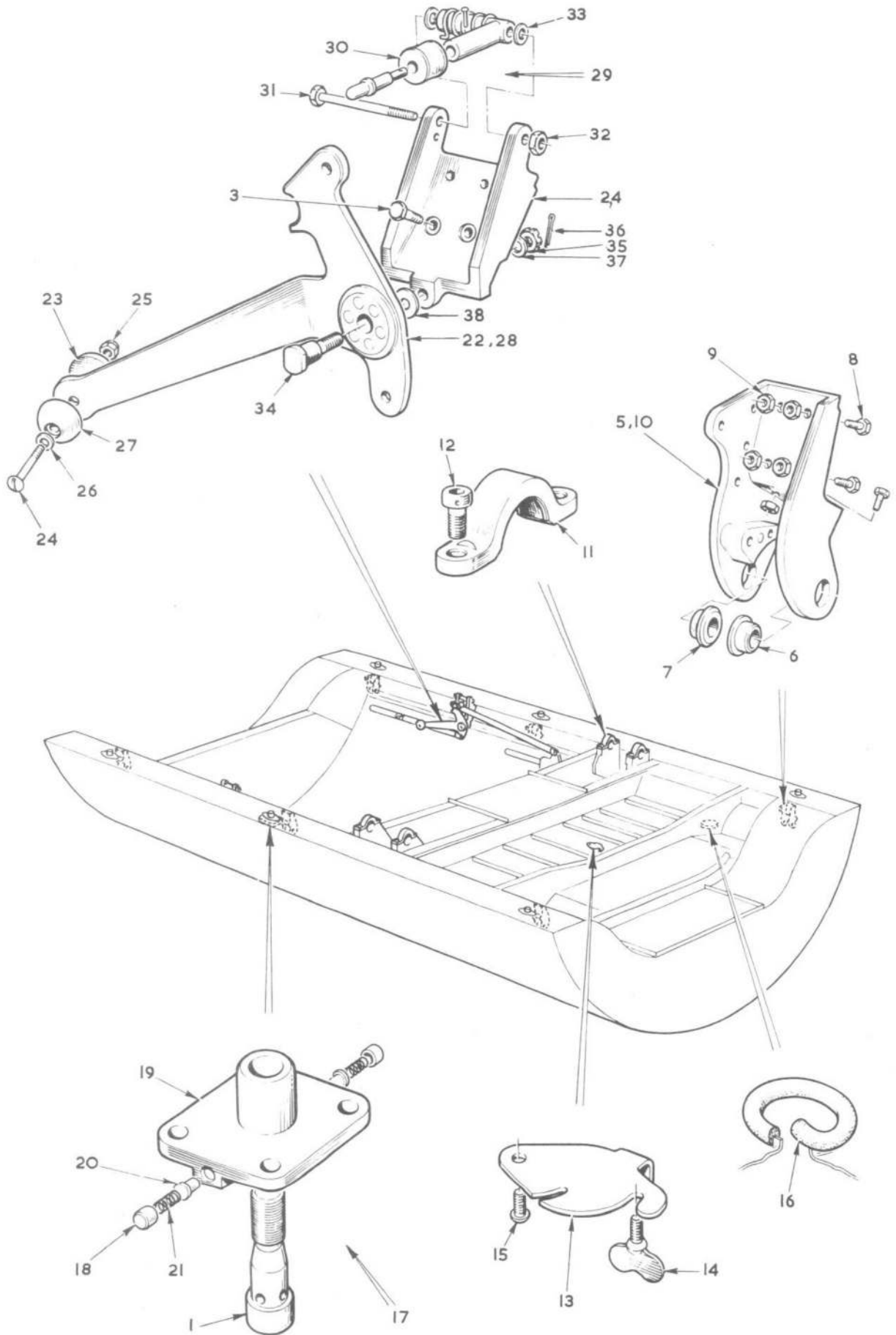


FIG. 22. 2" ROCKET PACK (MISSILES)

Restricted

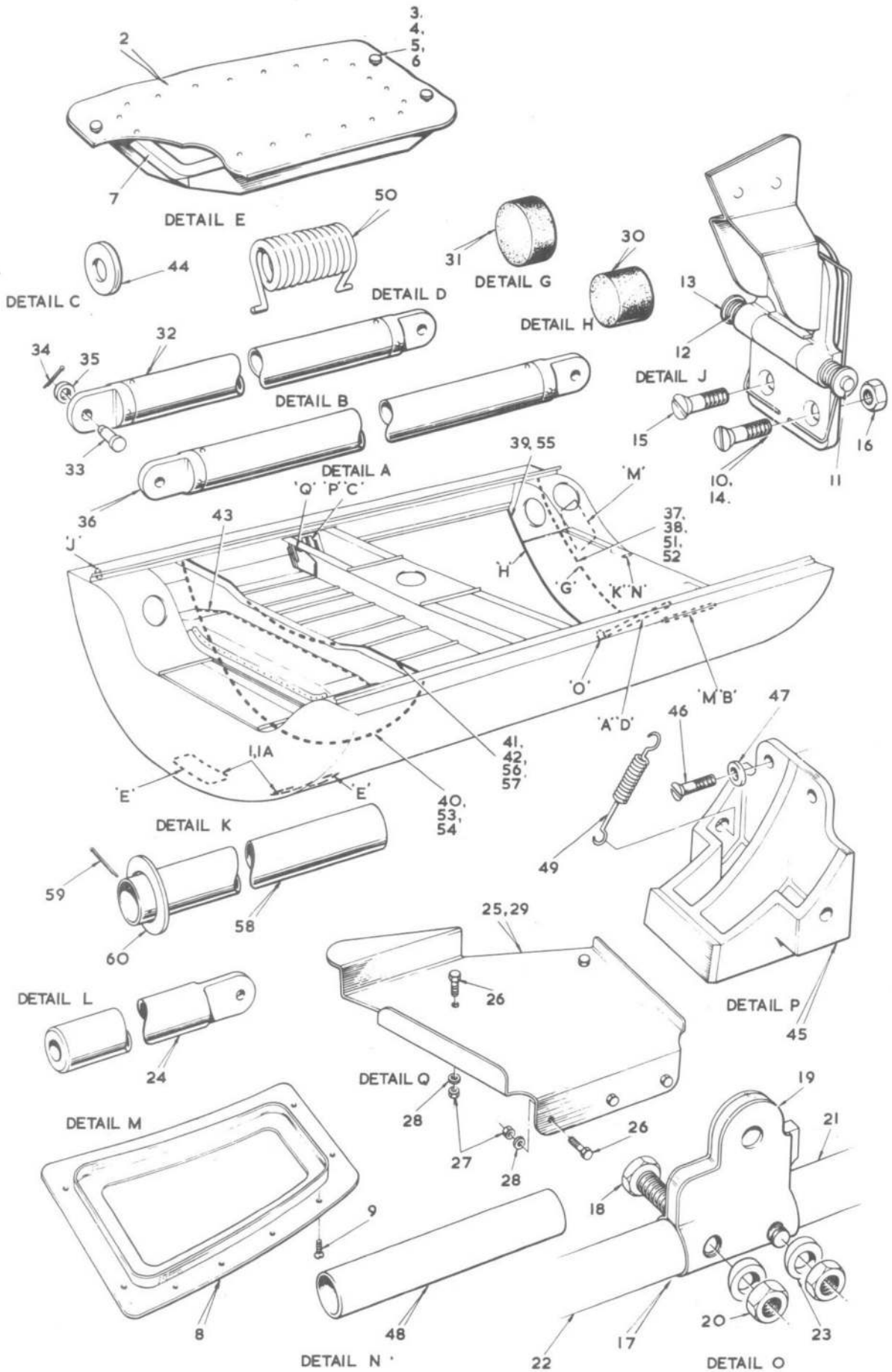


FIG. 23 2" ROCKET PACK (MISSILES)

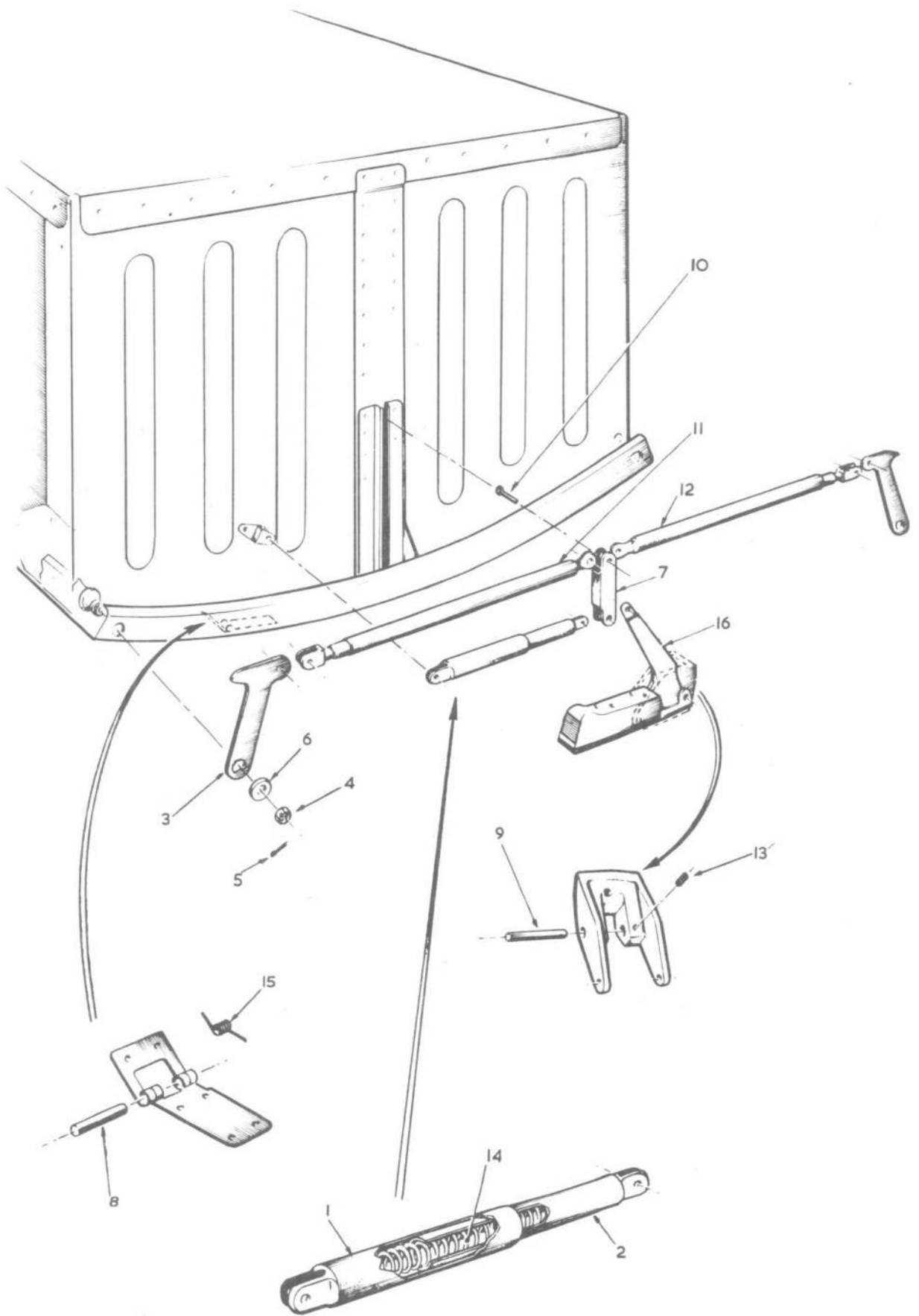


FIG. 24. UNIT AMMO BOX
Restricted

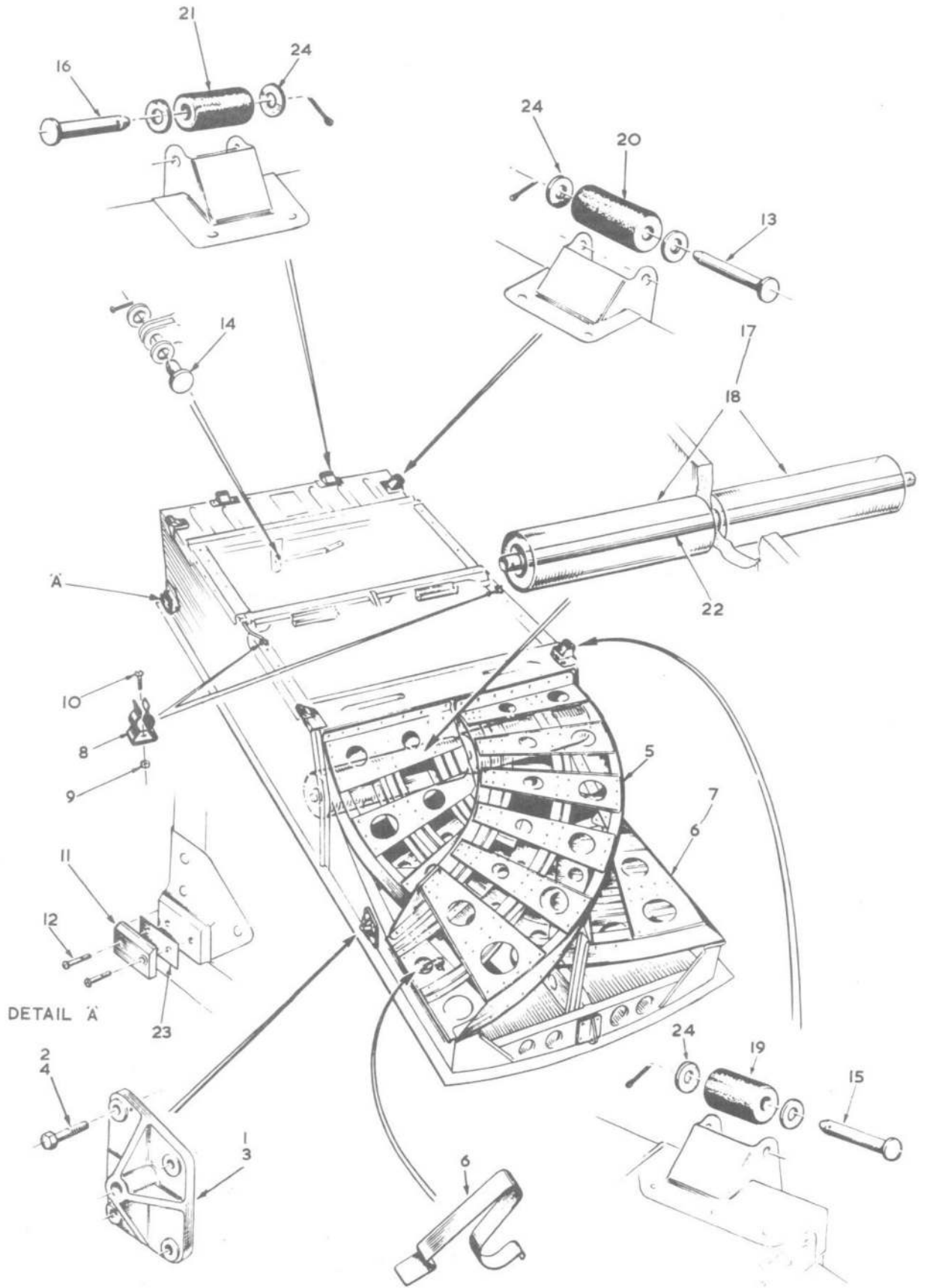


FIG. 25. UNIT AMMO BOX
Restricted

This file was downloaded
from the RTFM Library.
Link: www.scottbouch.com/rtfm

Please see site for usage terms,
and more aircraft documents.

