

FIG. I. ELECTRICAL EQUIPMENT IN FRONT FUSELAGE

Restricted

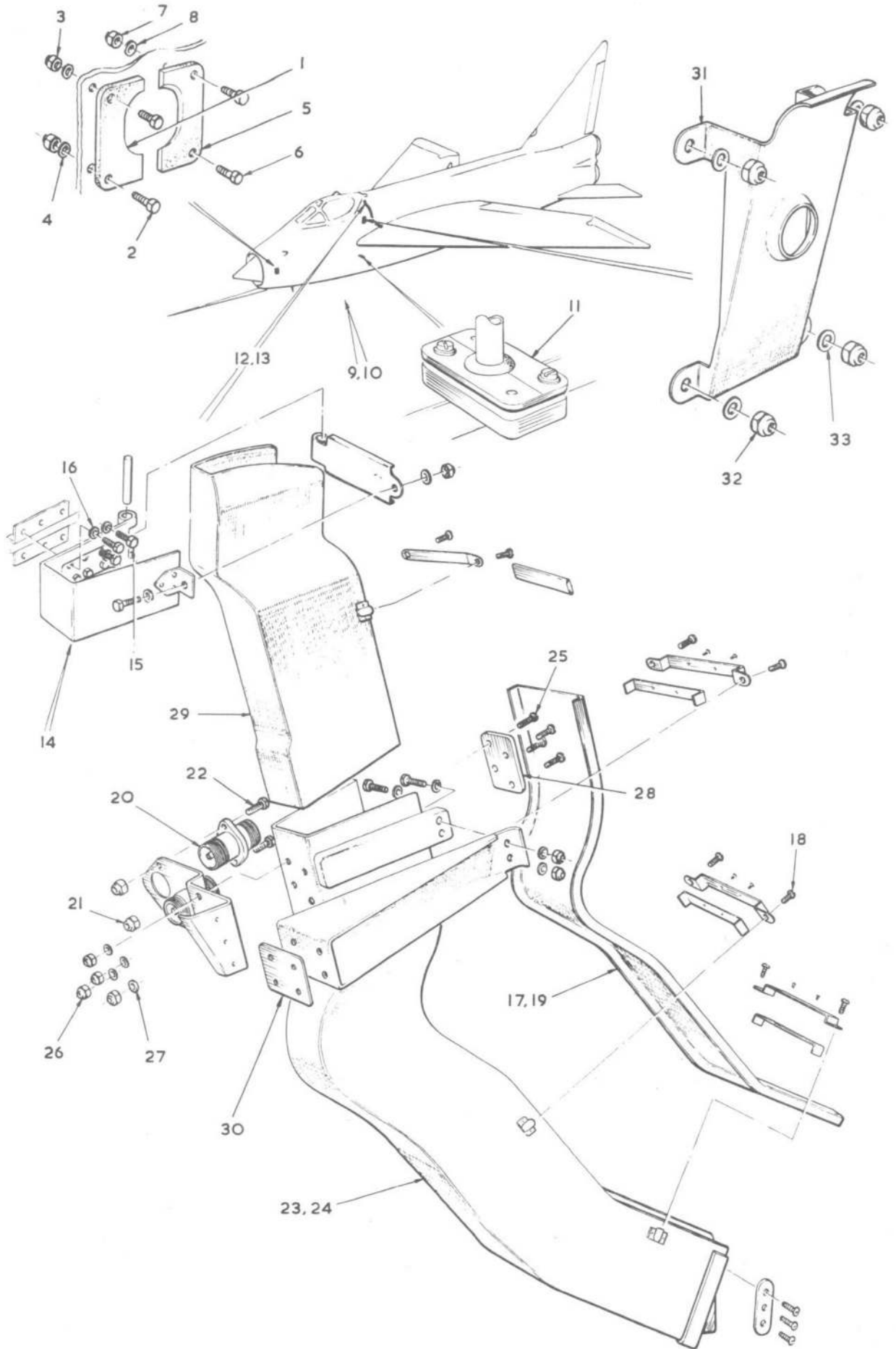


FIG.2. ELECTRICAL EQUIPMENT IN FRONT FUSELAGE

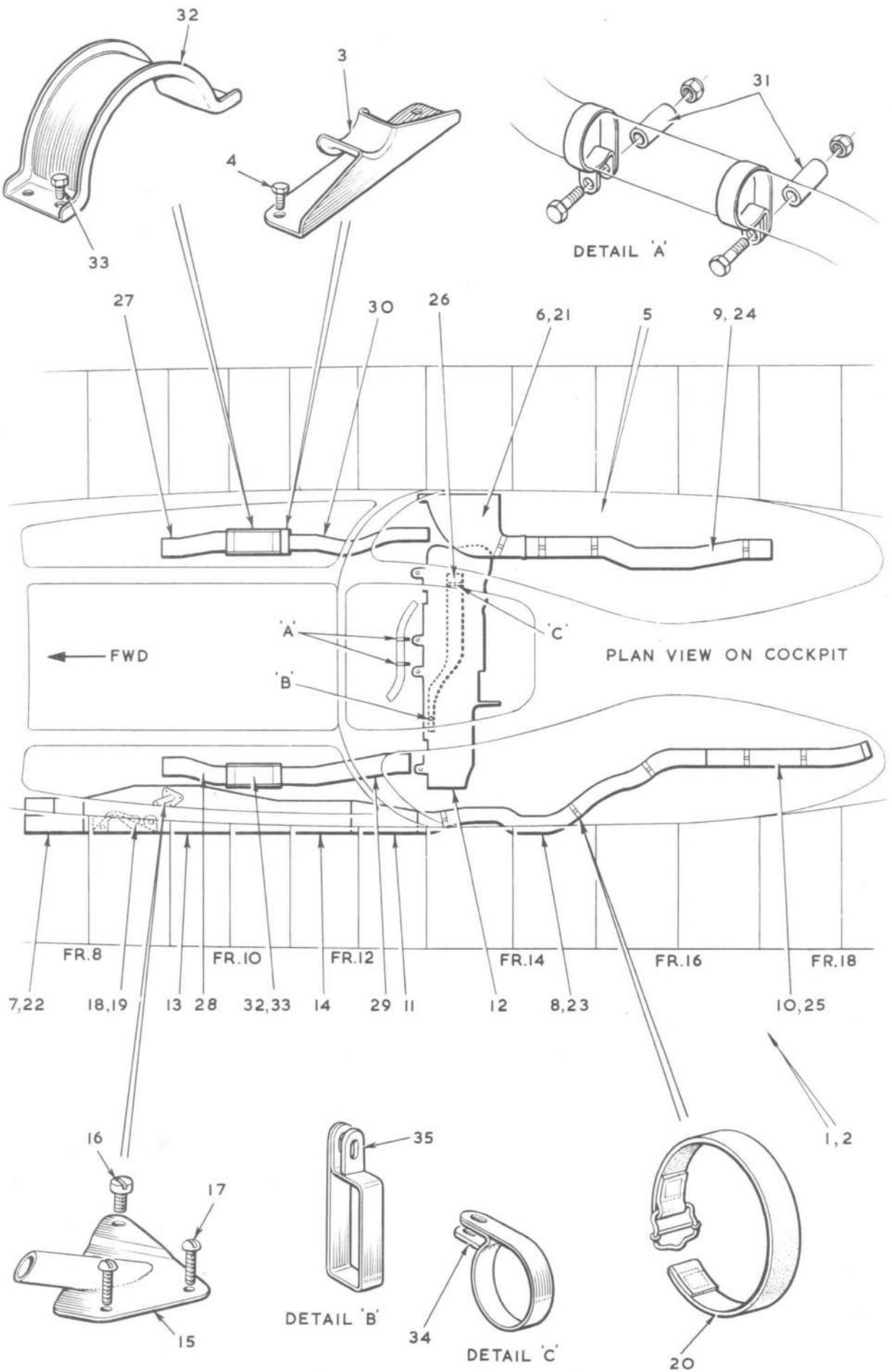


FIG.3. ELECTRICAL EQUIPMENT IN FRONT FUSELAGE  
Restricted

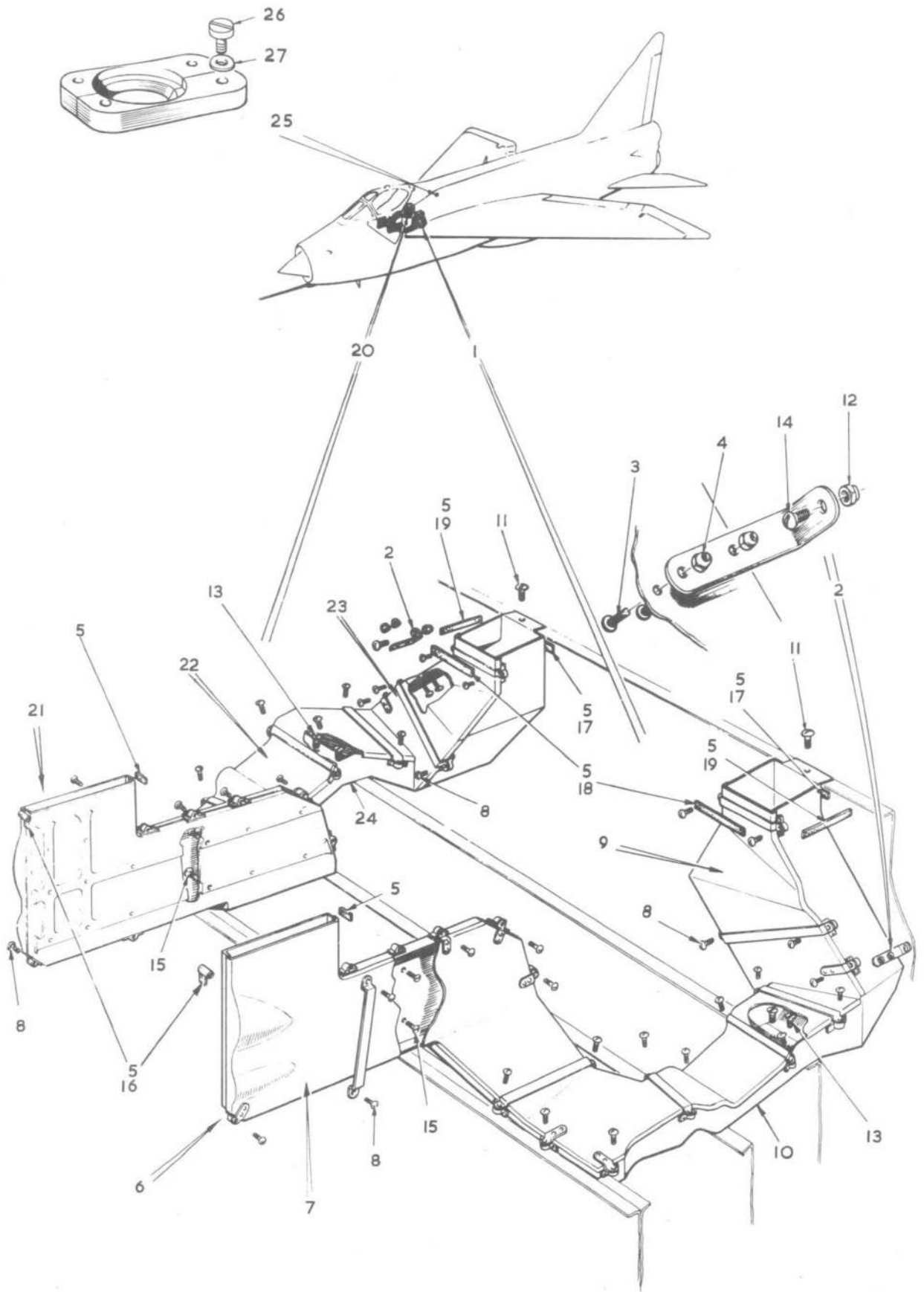


FIG. 4. ELECTRICAL EQUIPMENT IN FRONT FUSELAGE  
Restricted

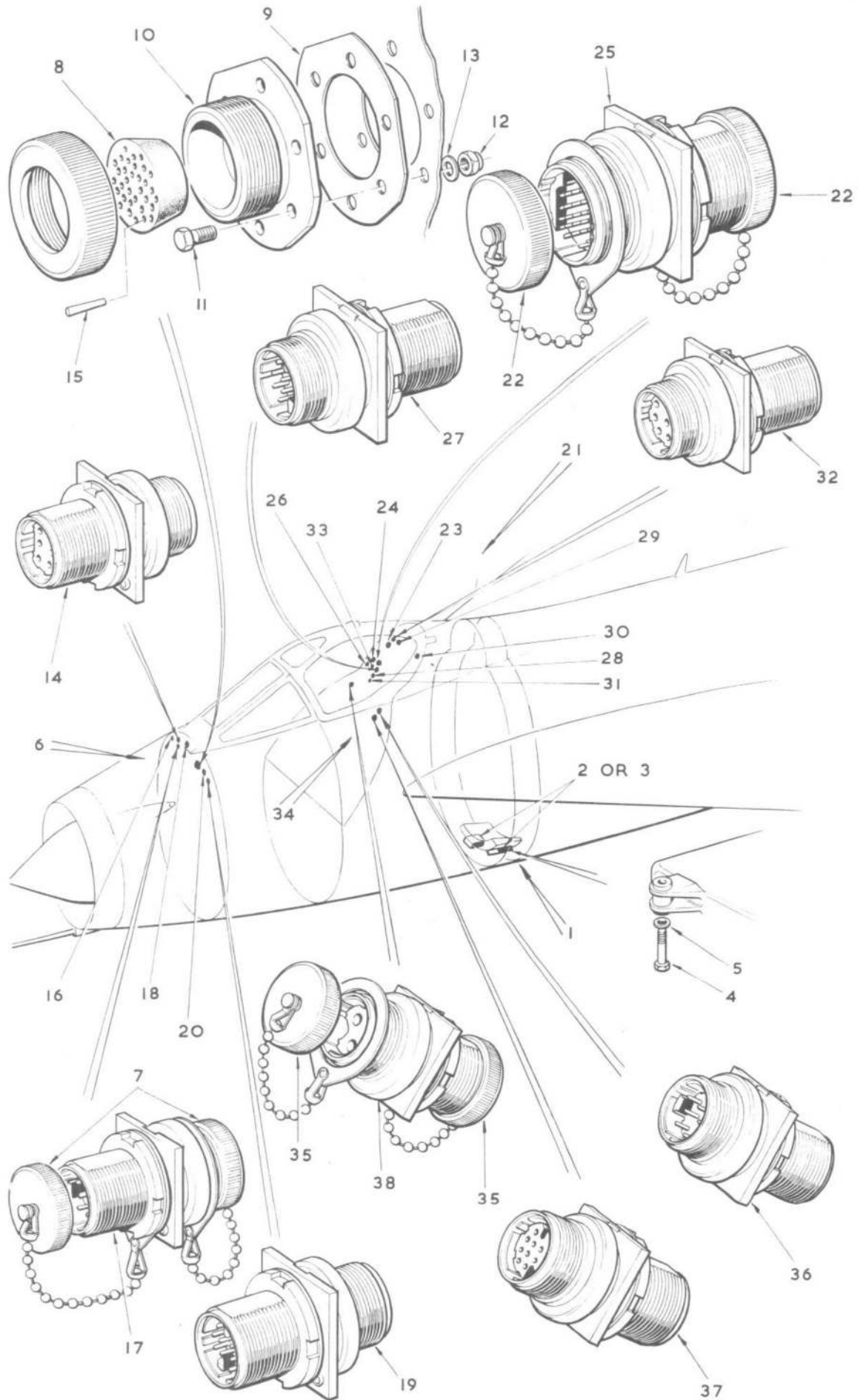


FIG.5. ELECTRICAL EQUIPMENT IN FRONT FUSELAGE

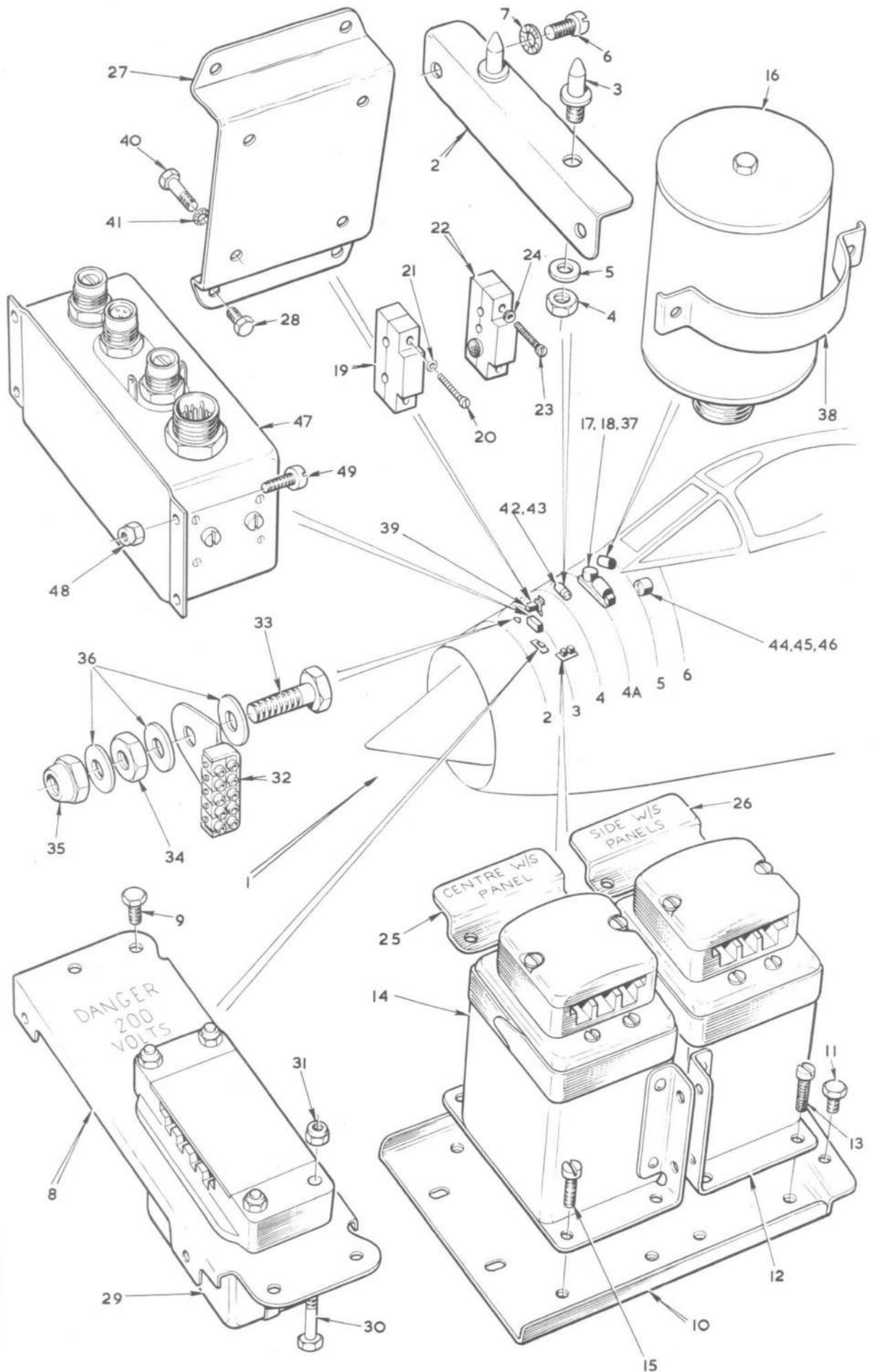


FIG.6. ELECTRICAL EQUIPMENT IN FRONT FUSELAGE

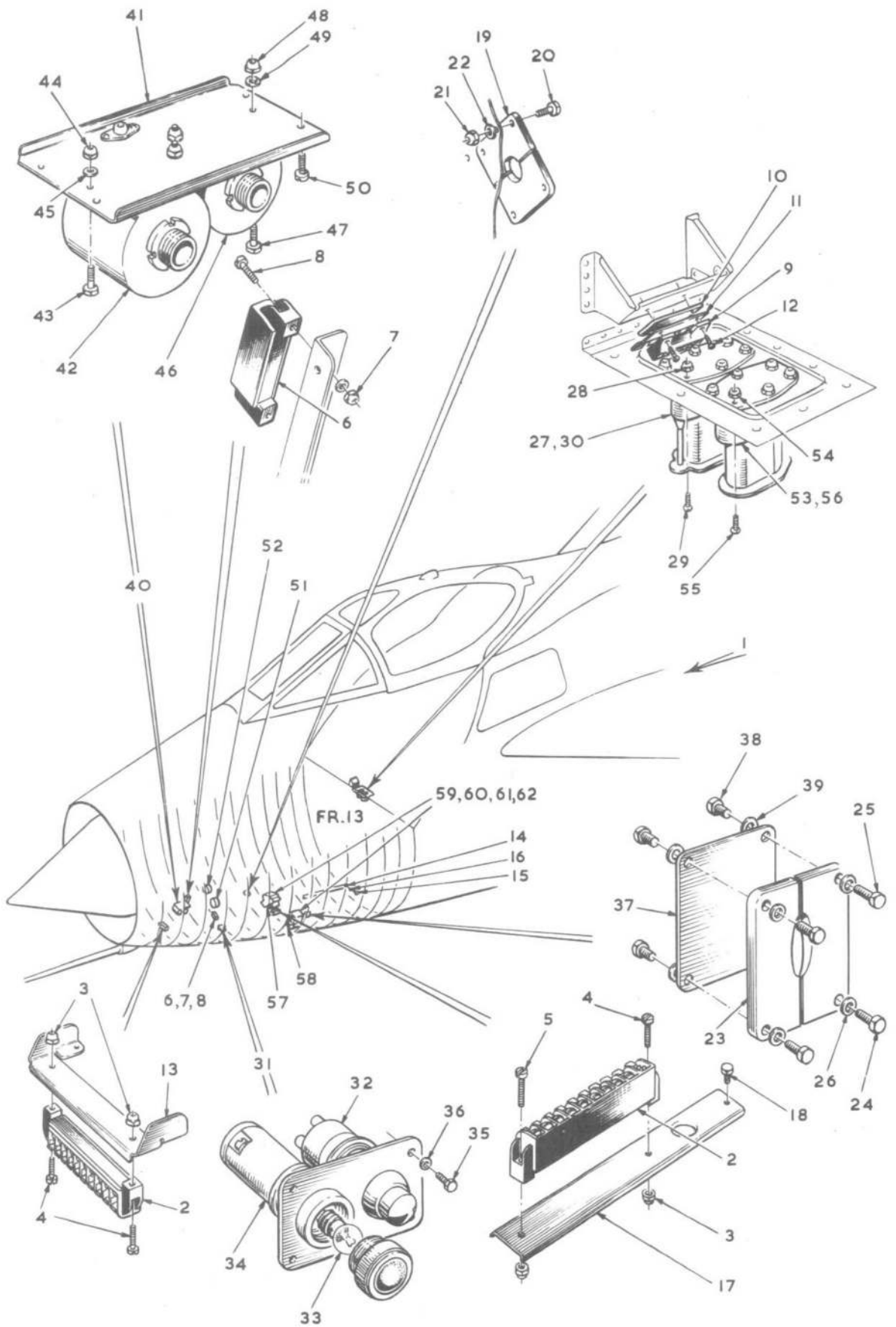


FIG.7. ELECTRICAL EQUIPMENT IN FRONT FUSELAGE

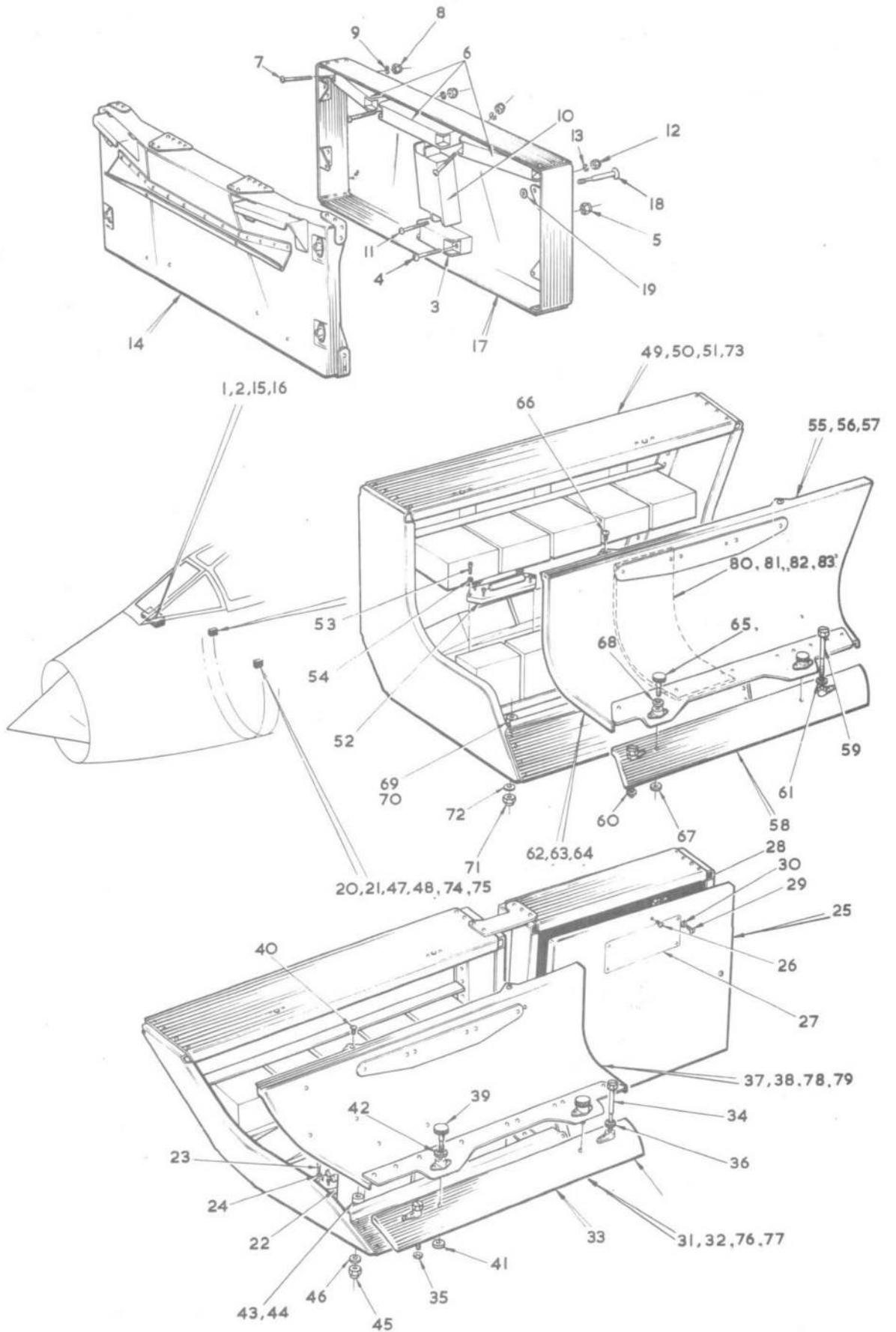


FIG.8. ELECTRICAL EQUIPMENT IN FRONT FUSELAGE

Restricted

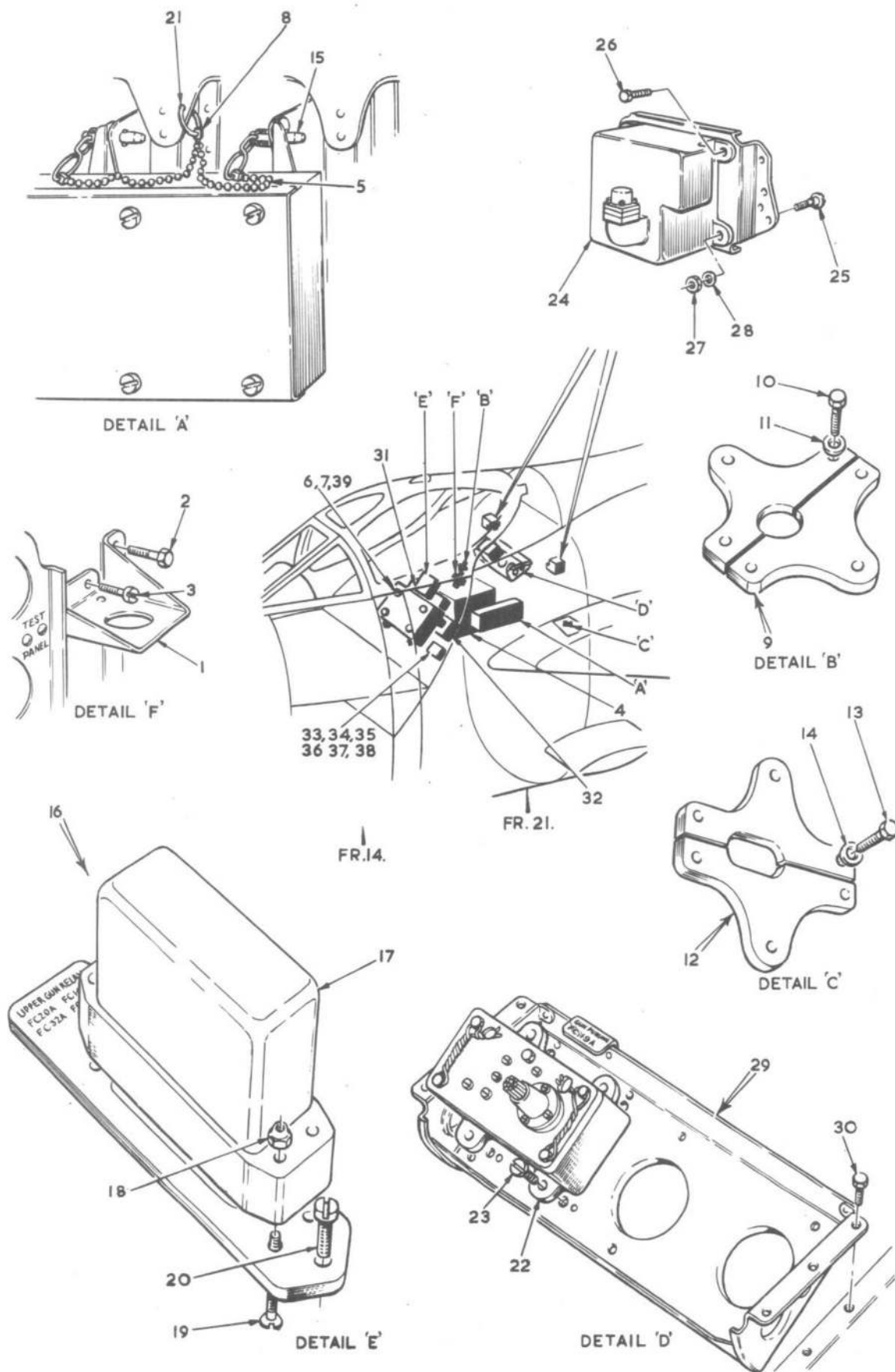


FIG.18. ELECTRICAL EQUIPMENT IN FRONT FUSELAGE



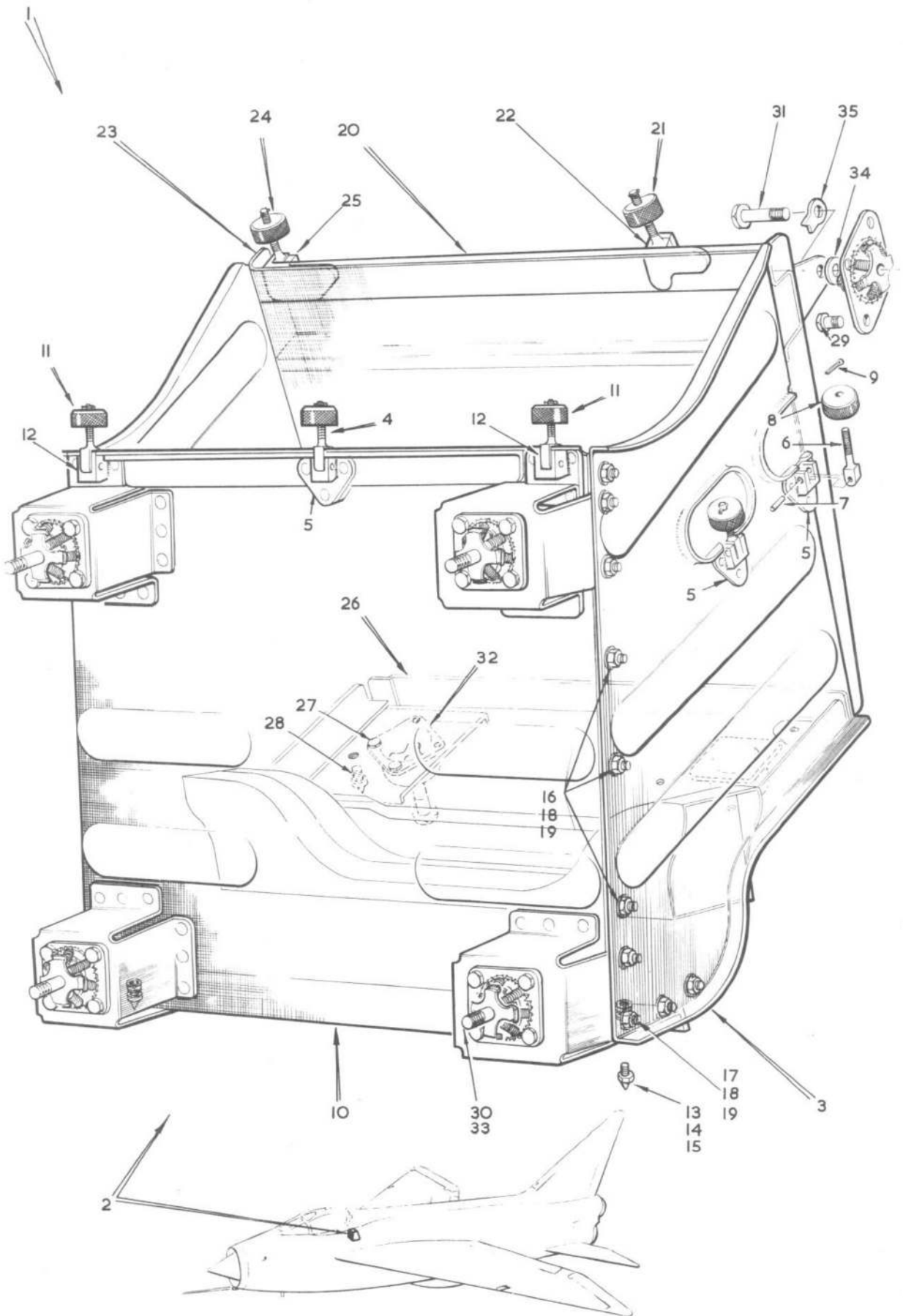


FIG. 20. ELECTRICAL EQUIPMENT IN FRONT FUSELAGE

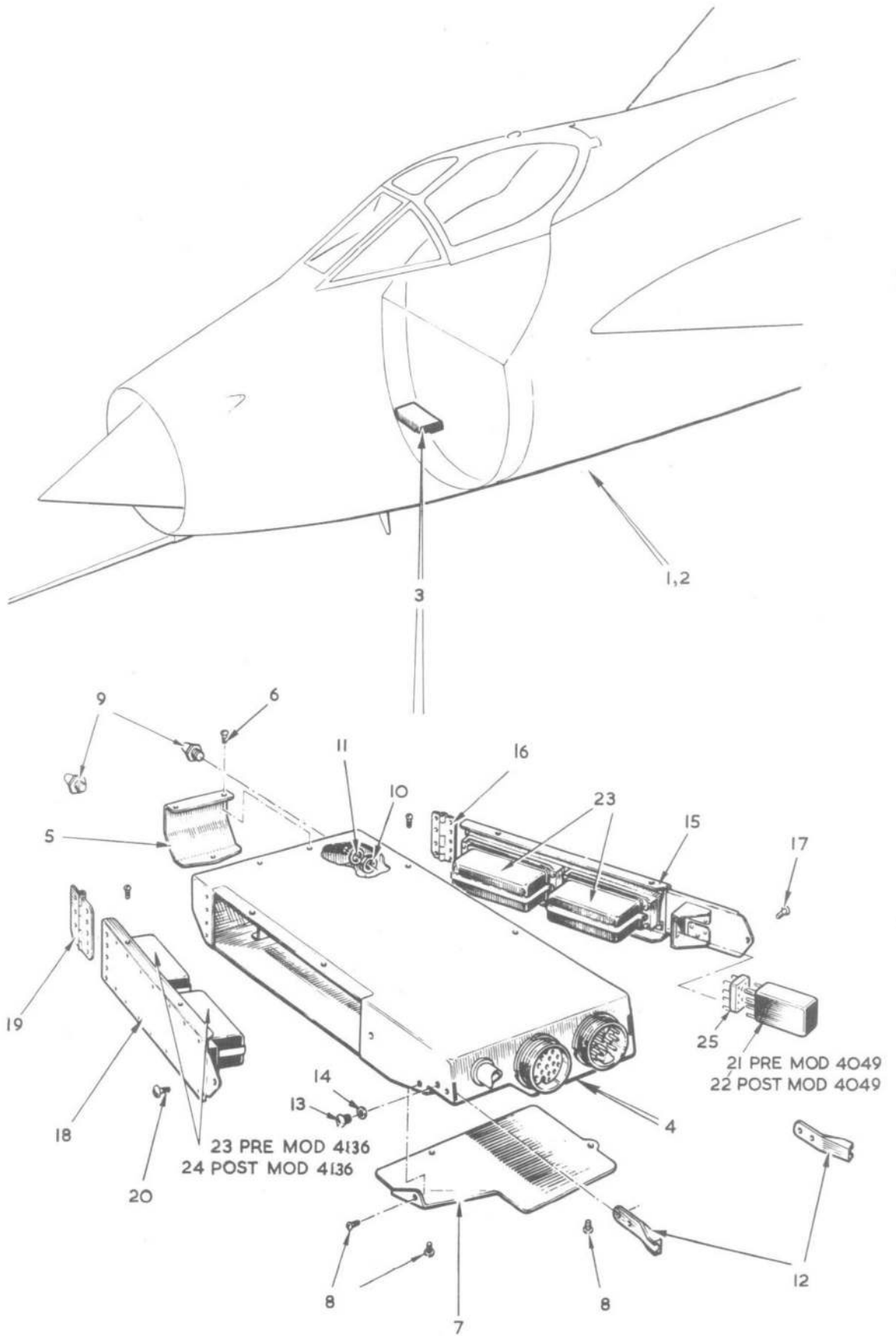


FIG. 21. ELECTRICAL EQUIPMENT IN FRONT FUSELAGE  
Restricted

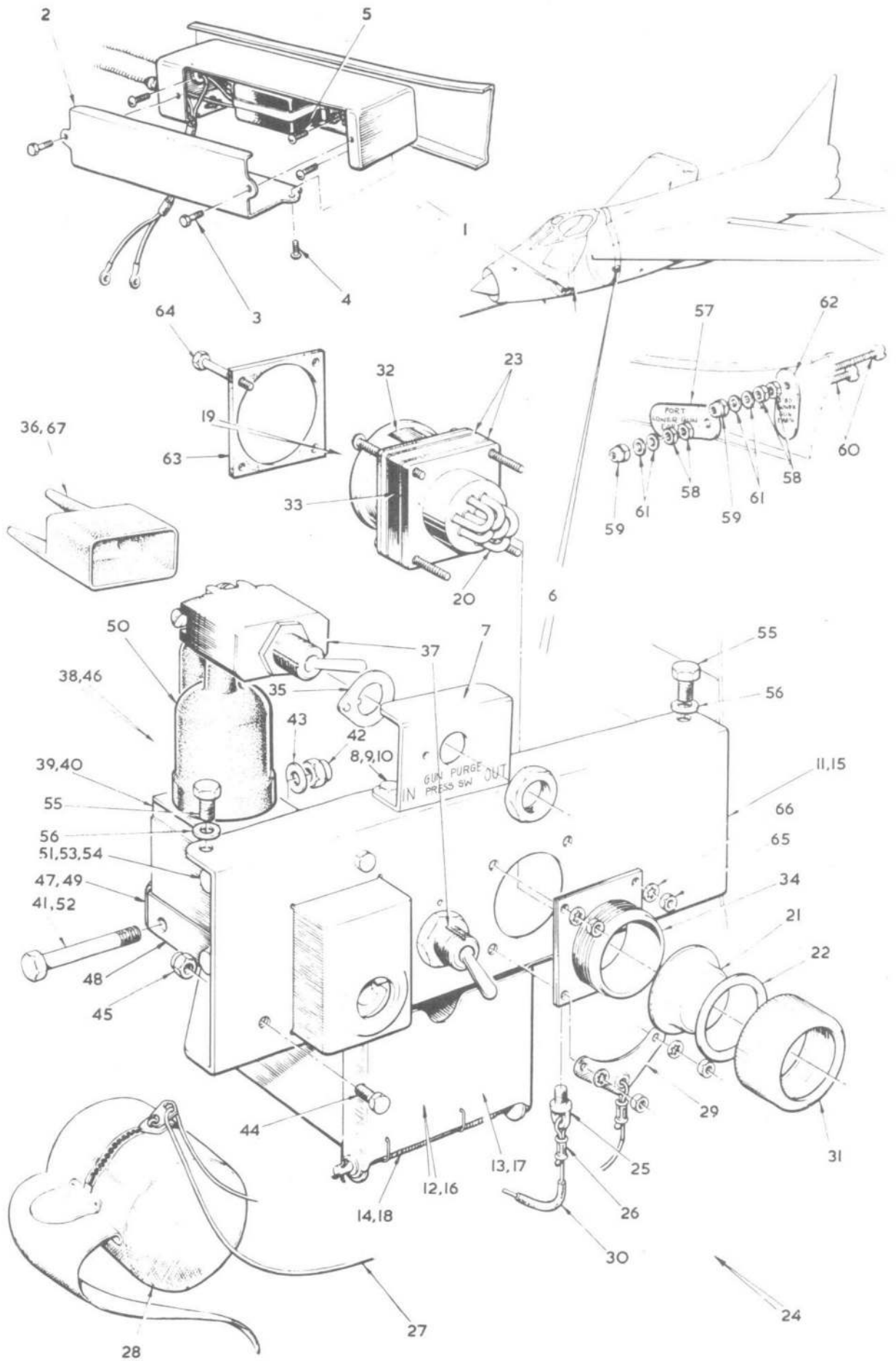
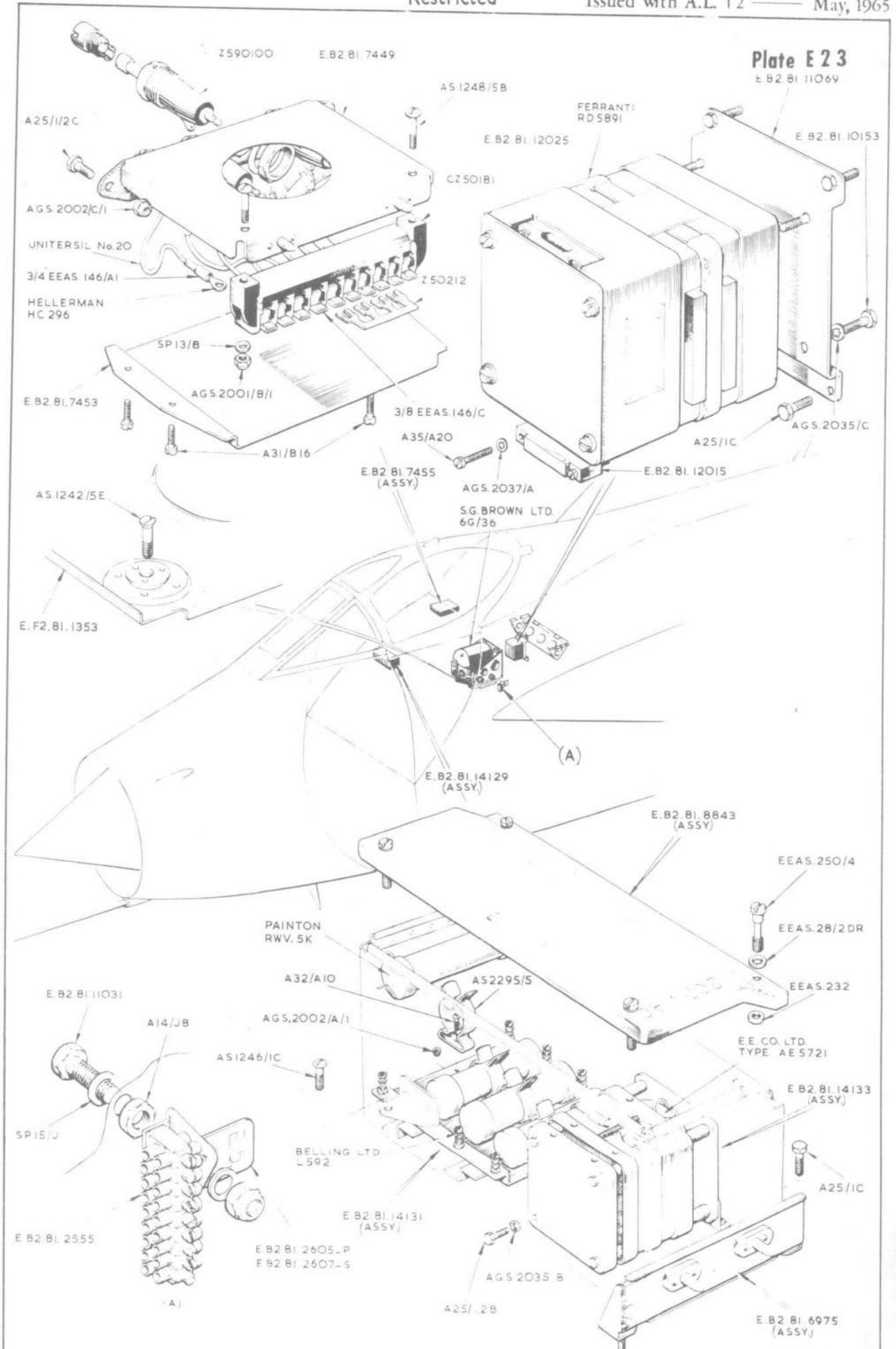


FIG.22. ELECTRICAL EQUIPMENT IN FRONT FUSELAGE



LIGHTNING F.MK.2 ELECTRICAL EQUIPMENT IN FRONT FUSELAGE

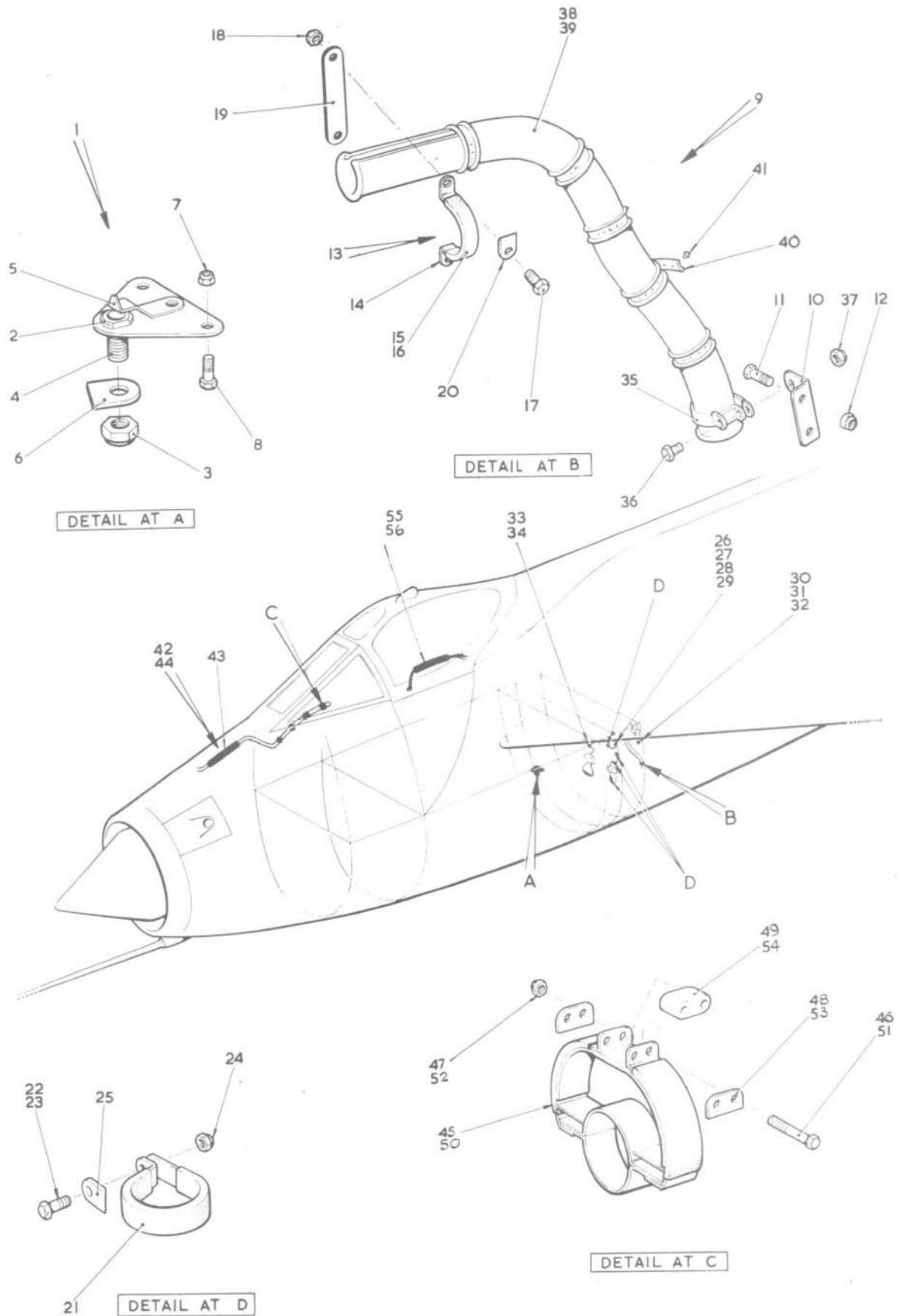


FIG. 23 ELECTRICAL, ELECTRICAL EQUIPMENT IN FRONT FUSELAGE

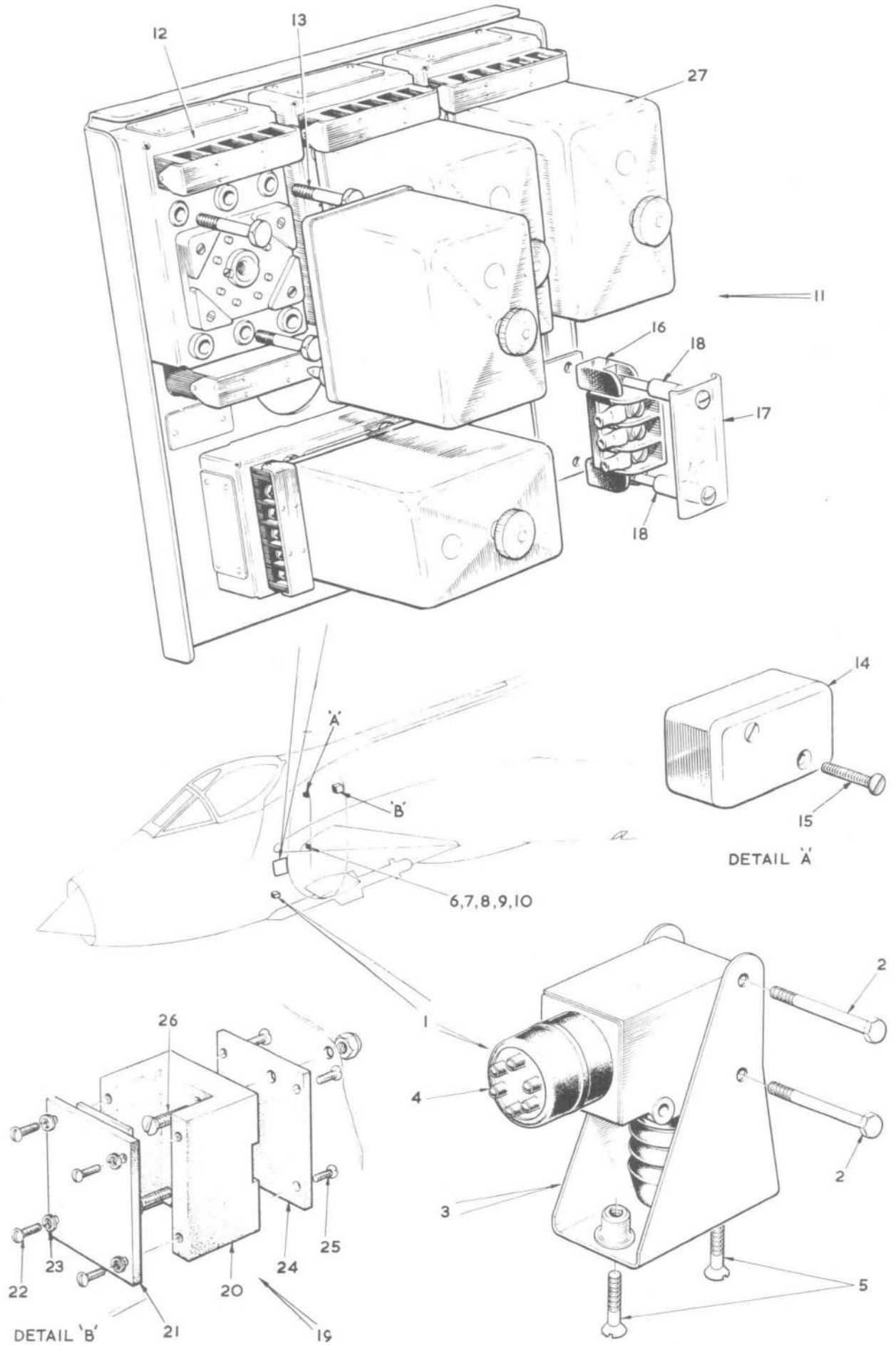


FIG. 24. ELECTRICAL EQUIPMENT IN FRONT FUSELAGE  
Restricted

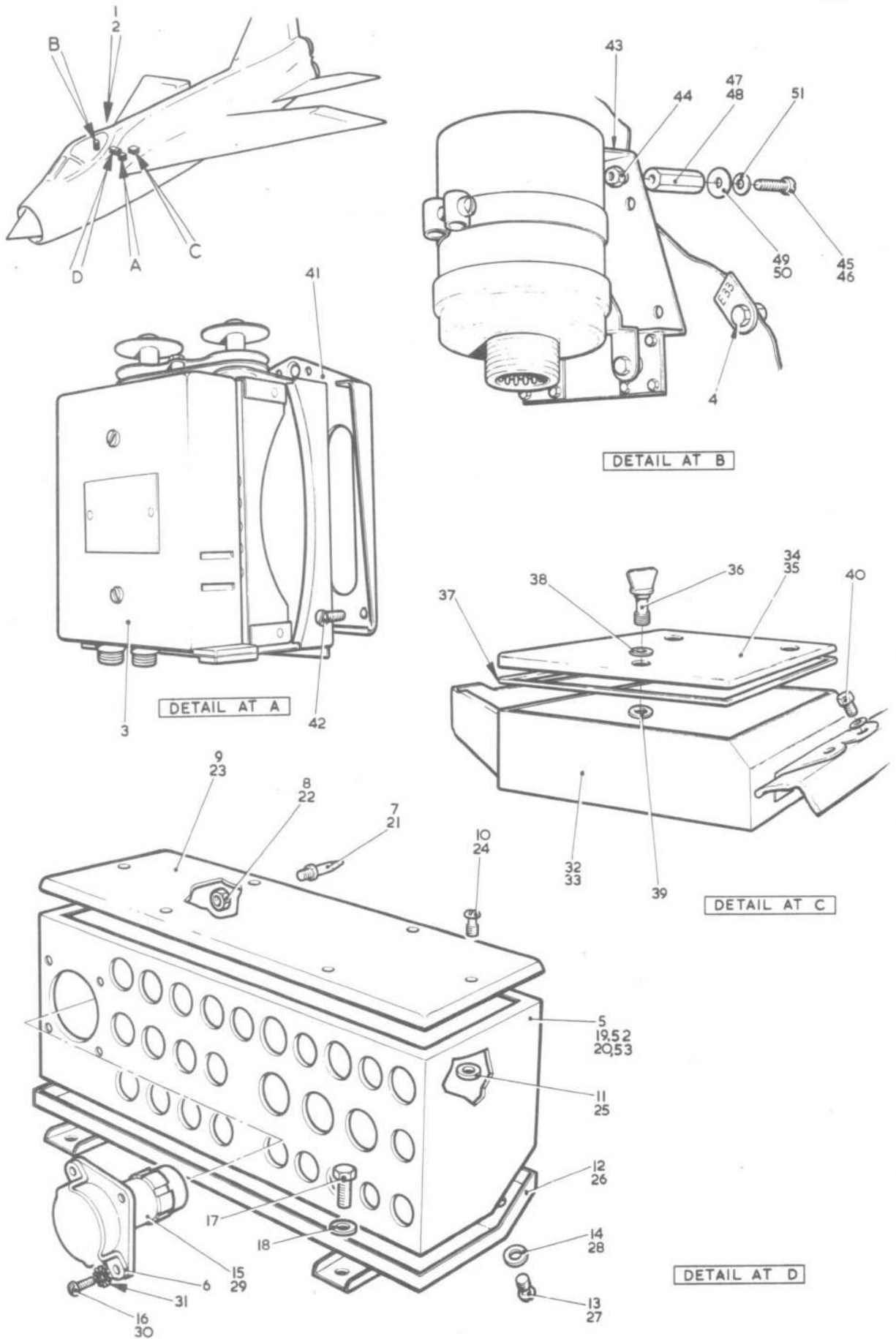


FIG.25 ELECTRICAL , ELECTRICAL EQUIPMENT , FRONT FUSELAGE

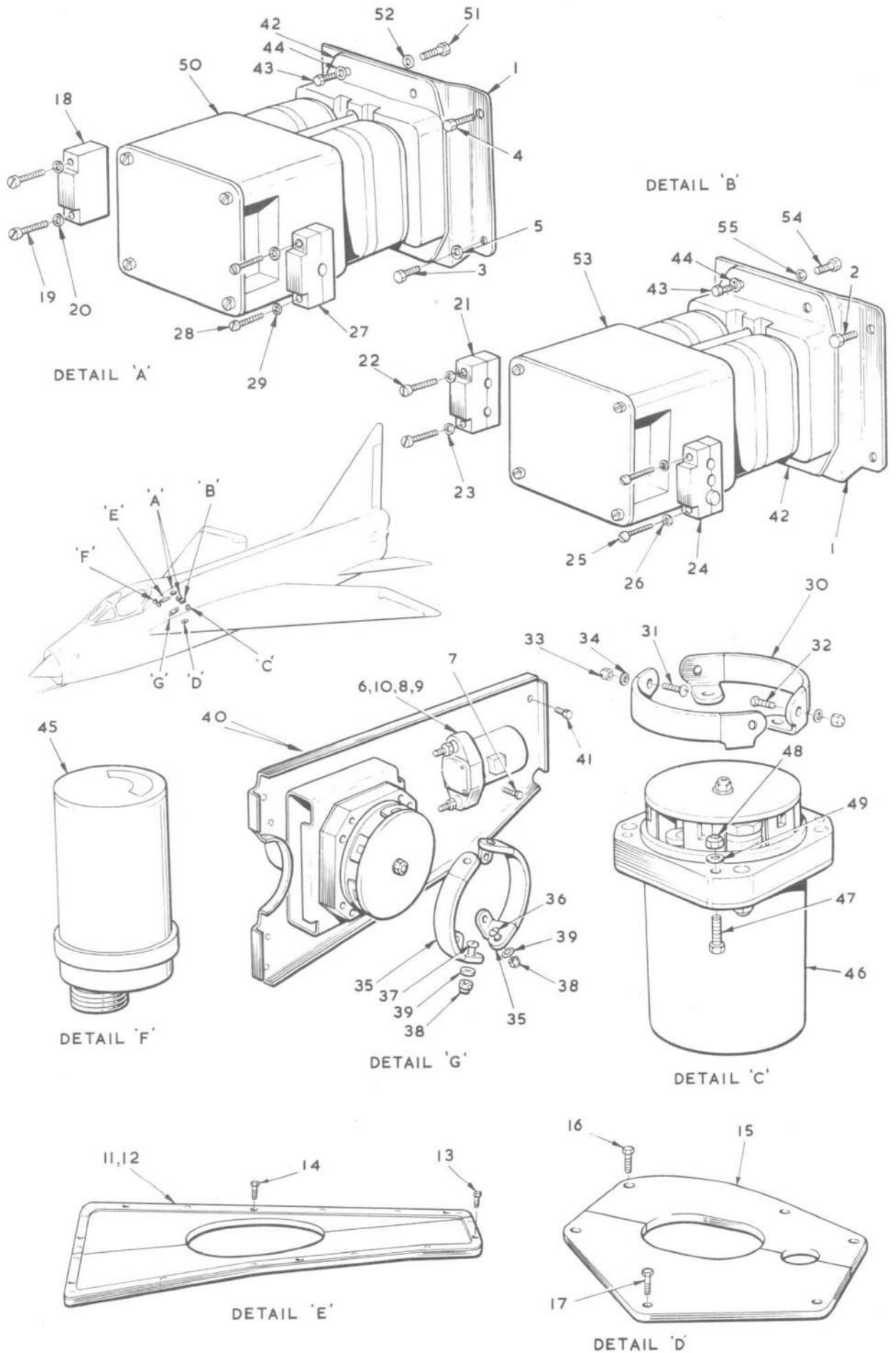


FIG.26. ELECTRICAL EQUIPMENT IN FRONT FUSELAGE  
Restricted

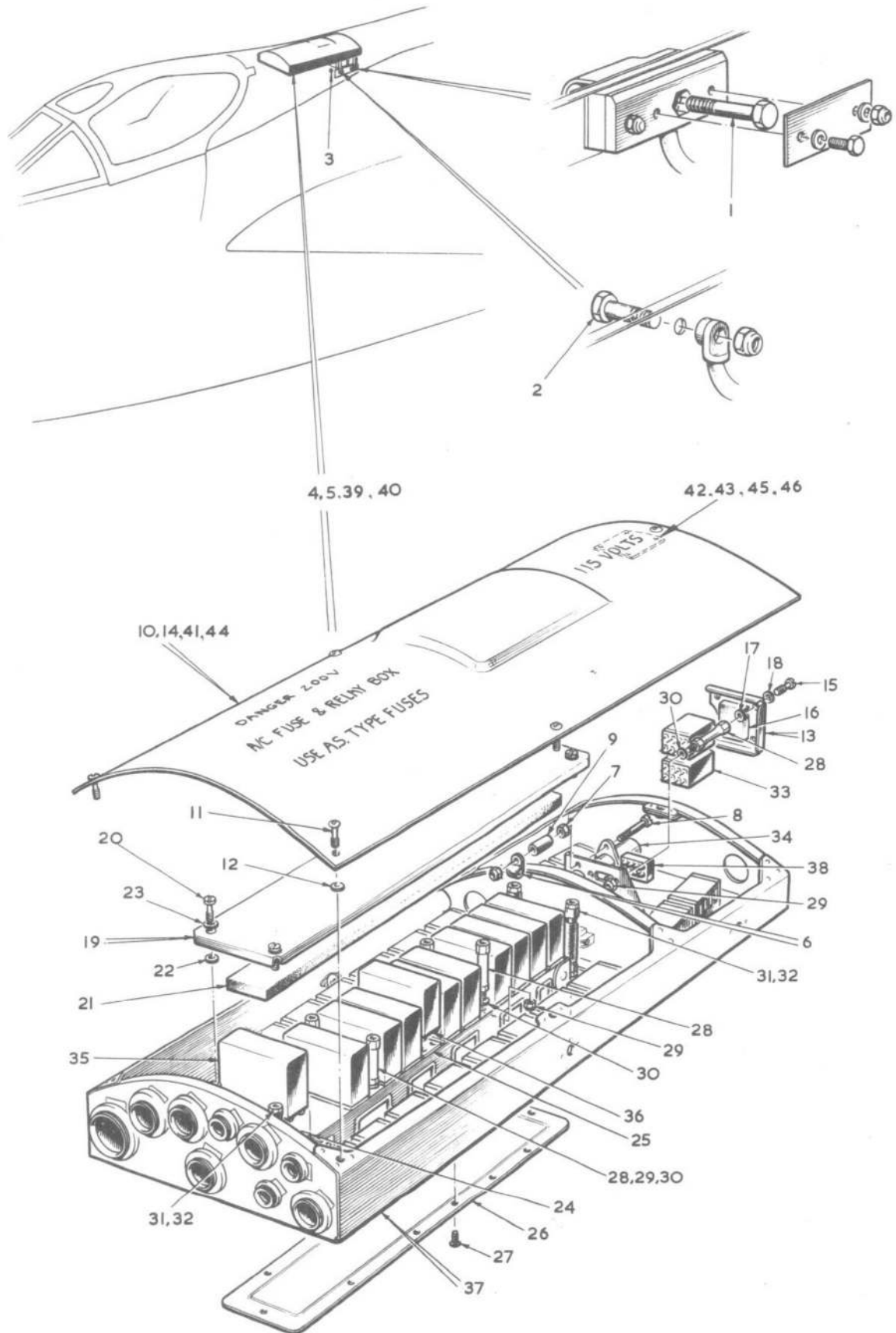


FIG.27. ELECTRICAL EQUIPMENT IN FRONT FUSELAGE  
Restricted

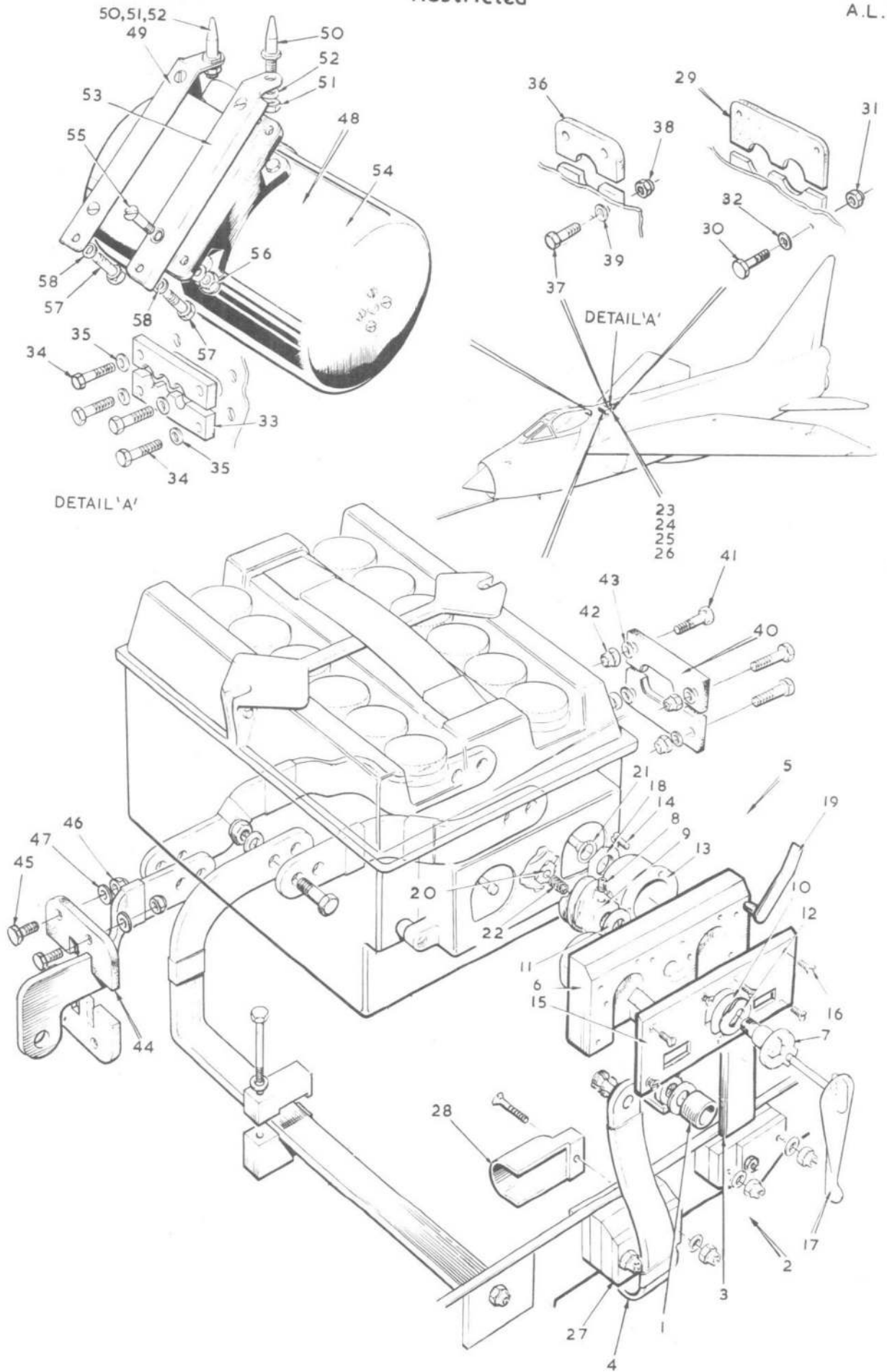


FIG.28. ELECTRICAL EQUIPMENT IN FRONT FUSELAGE

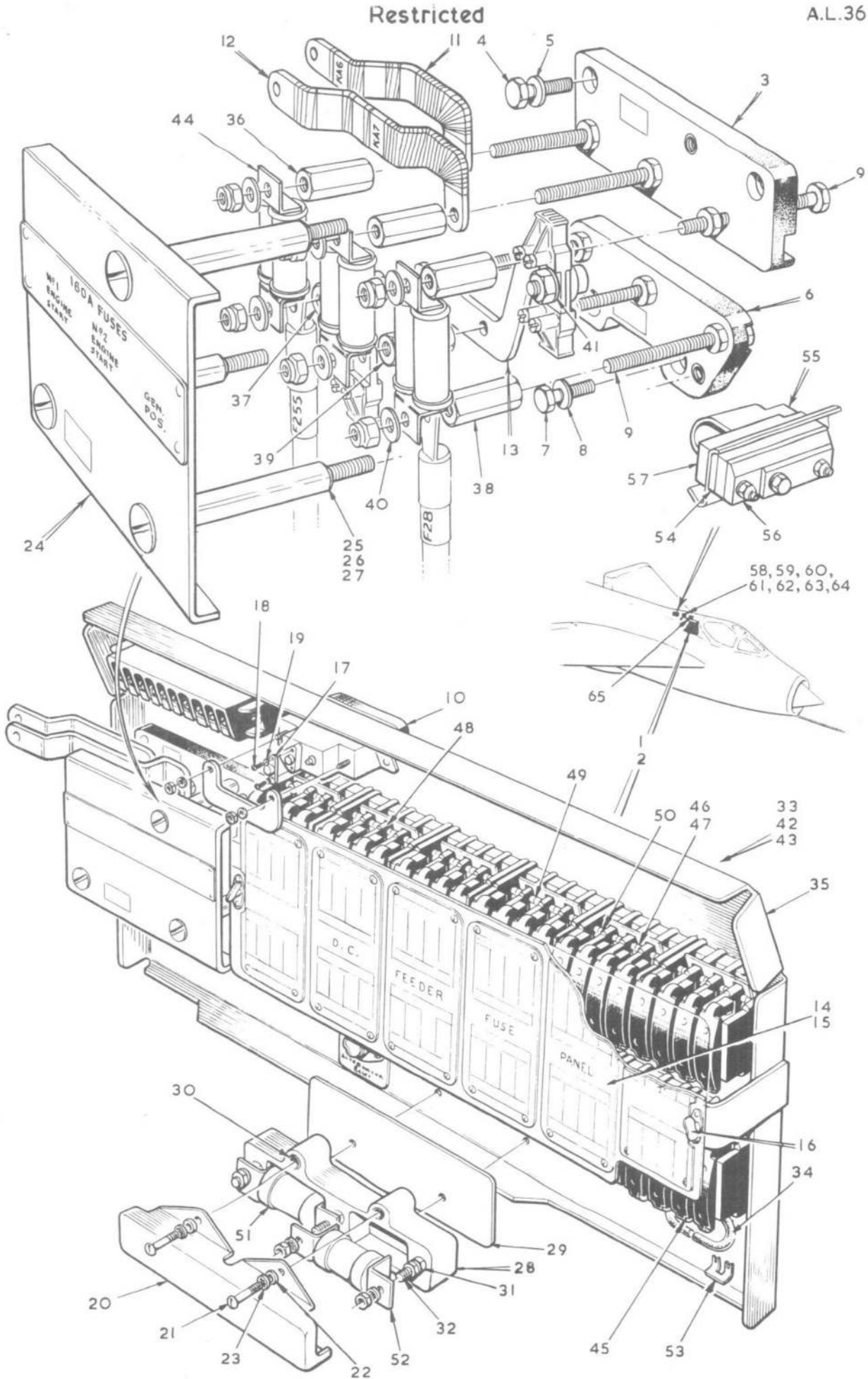


FIG.29. ELECTRICAL EQUIPMENT IN FRONT FUSELAGE

Restricted

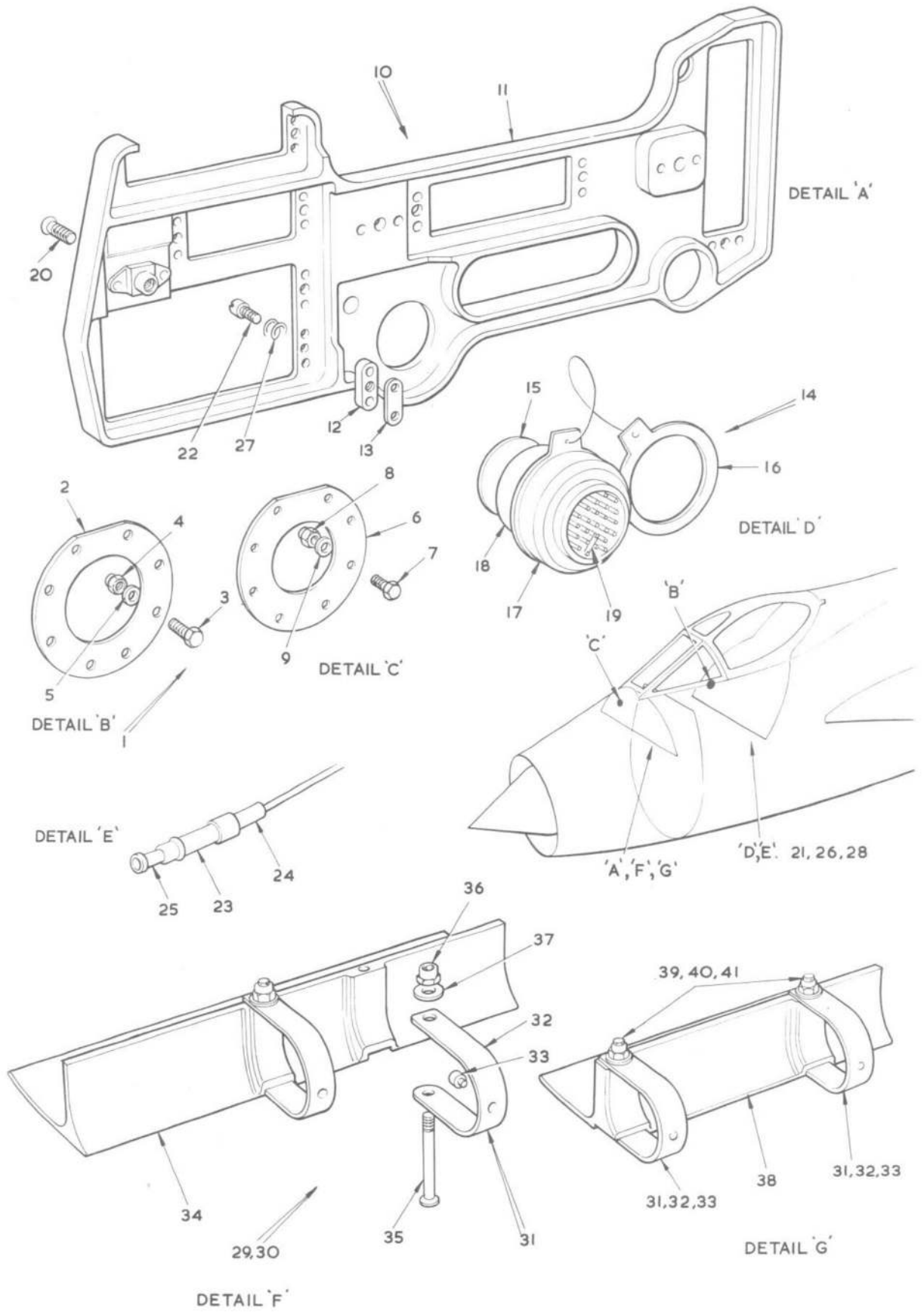


FIG. 30. ELECTRICAL EQUIPMENT IN FRONT FUSELAGE

	'P' CLIP	'D' WASHER	NUT	WASHER	BOLT
A	12	13			
B	14	18	17	19	16
C	20	25	22	23,24	21
D	26	29	28		27
E	30	33	32		31
F	34	38	37		35,36
G	52	56	54	55	53
H	39	41			40
J	46	51	49	50	47,48
K	42	45	44		43
L	14	18	17		15
M	61	65	63		62
N	61	65			64

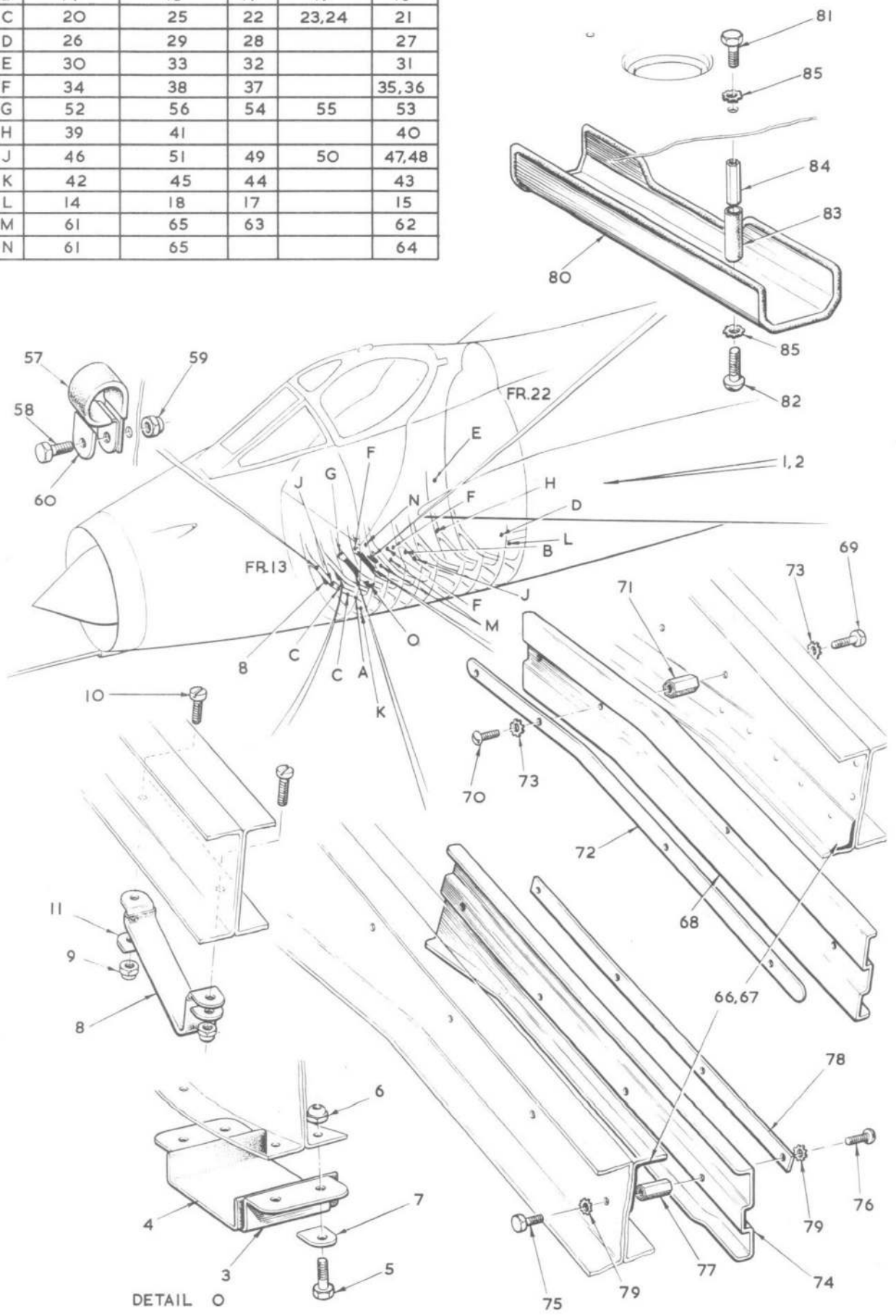


FIG.31. ELECTRICAL EQUIPMENT IN FRONT FUSELAGE

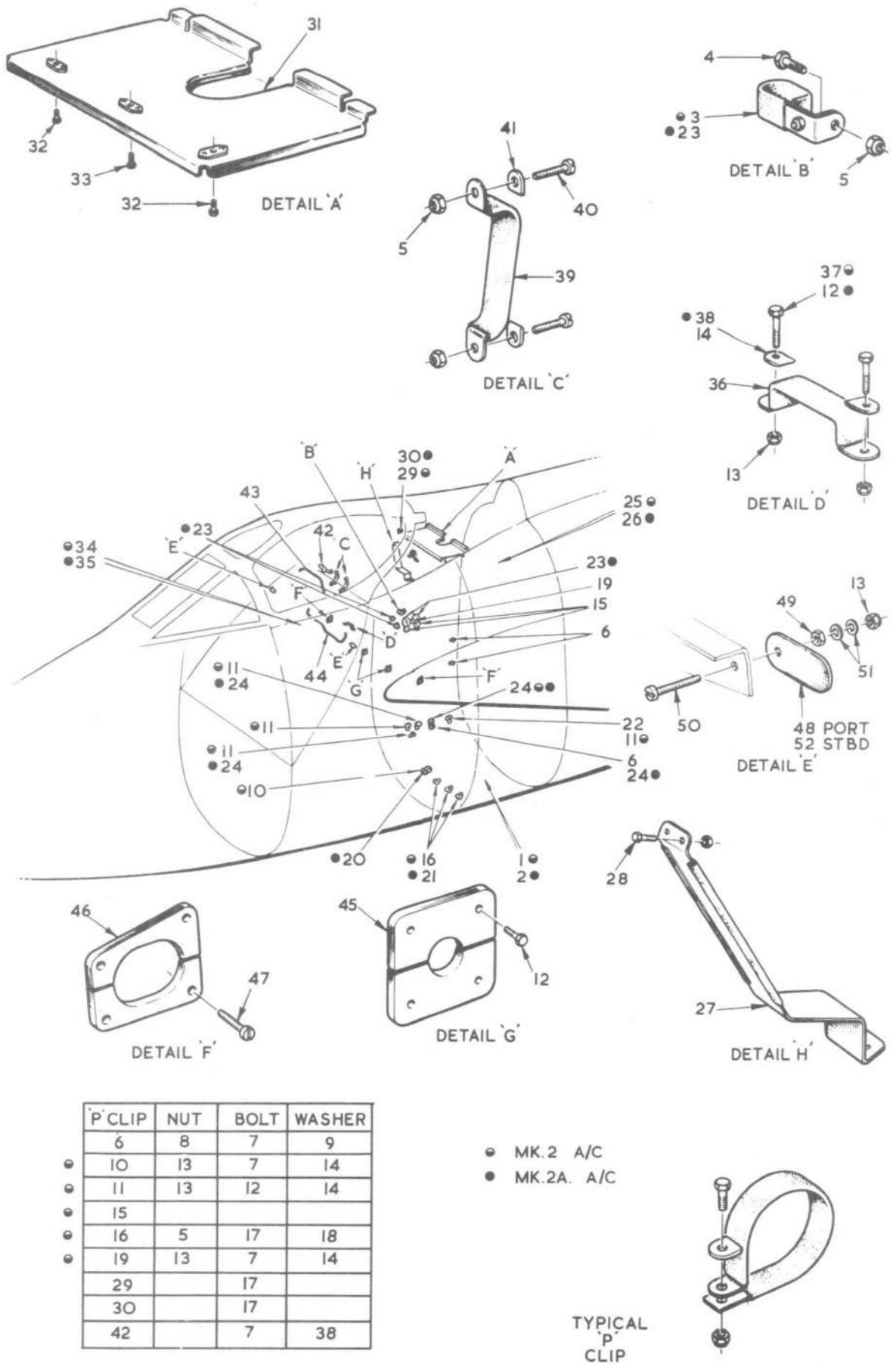


FIG. 32. ELECTRICAL EQUIPMENT IN FRONT FUSELAGE



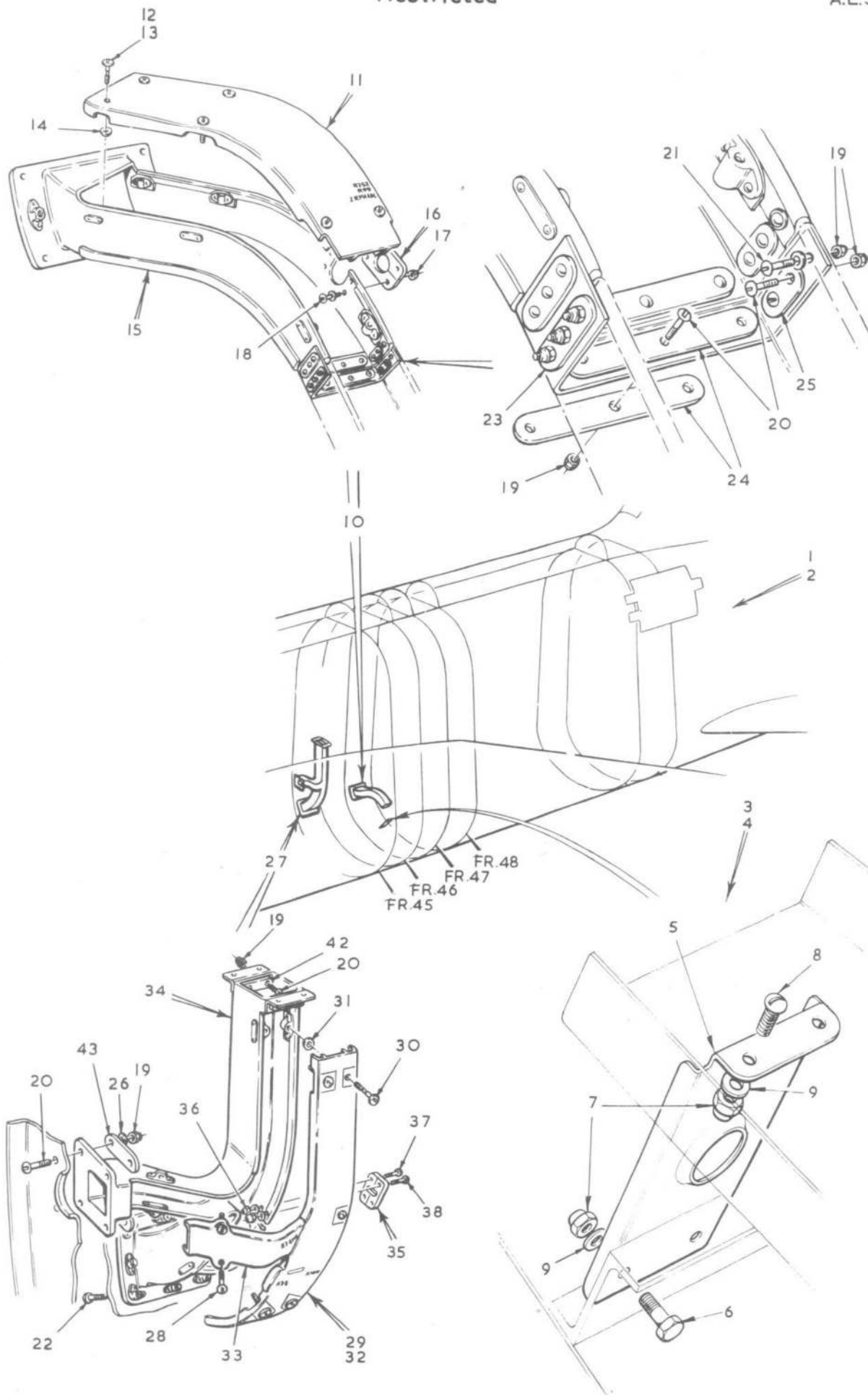


FIG.34. ELECTRICAL EQUIPMENT IN REAR FUSELAGE  
Restricted

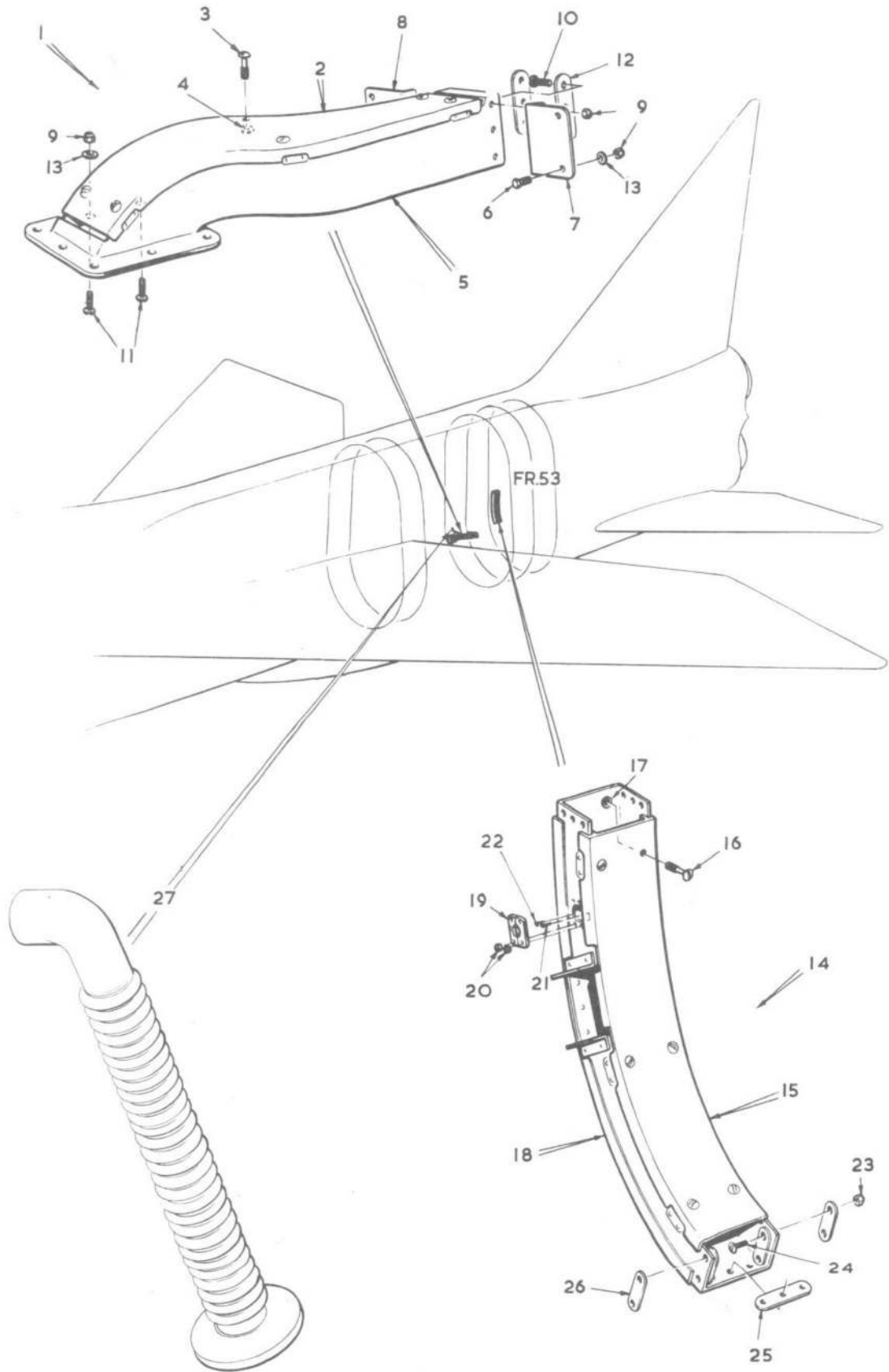


FIG.35. ELECTRICAL EQUIPMENT IN REAR FUSELAGE

Restricted



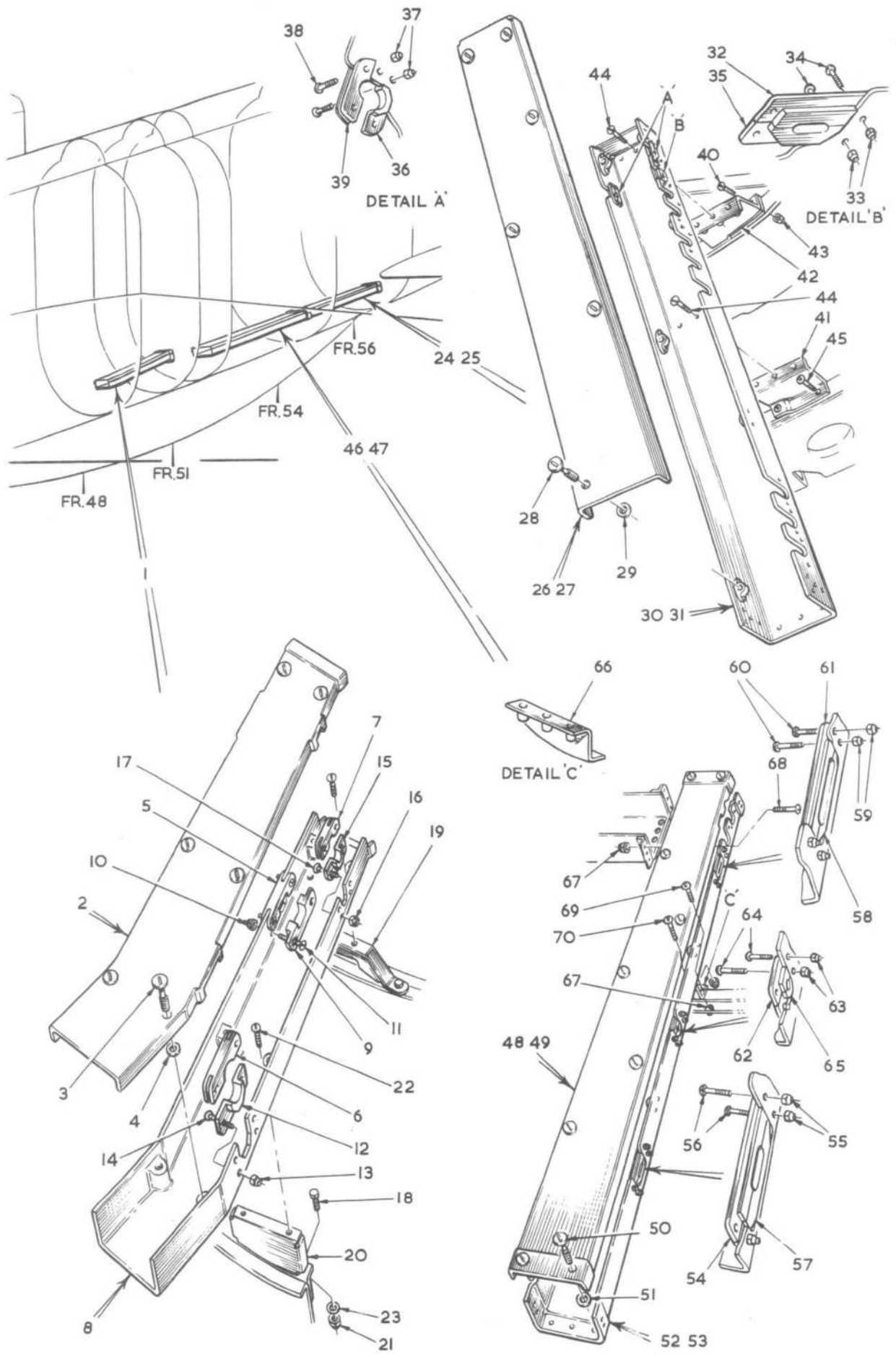
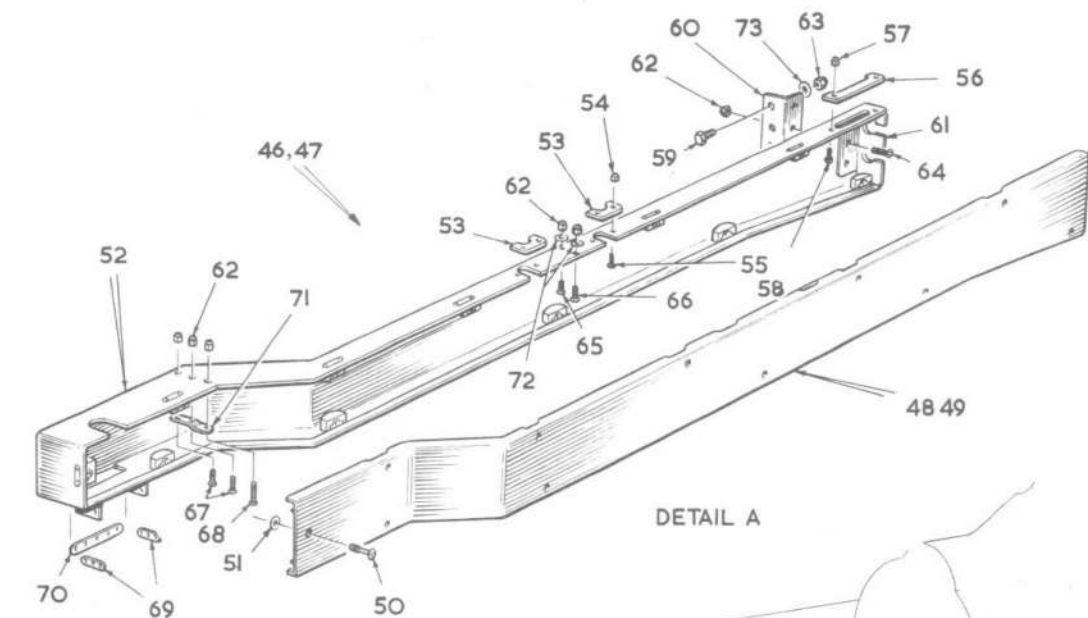
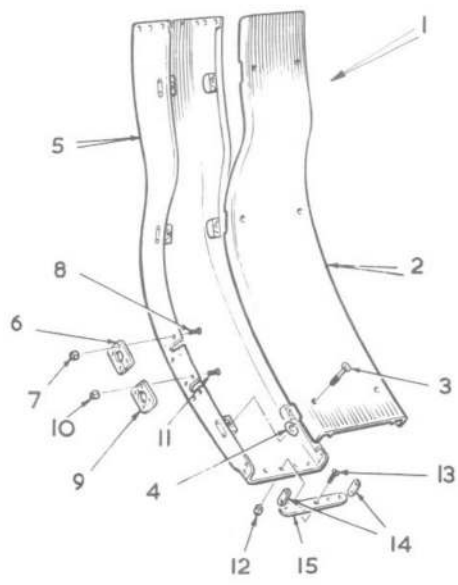


FIG. 37. ELECTRICAL EQUIPMENT IN REAR FUSELAGE

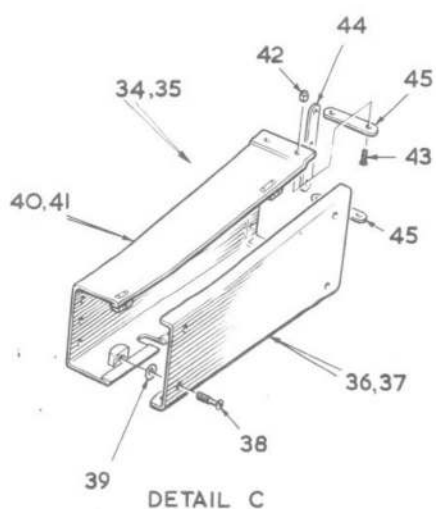
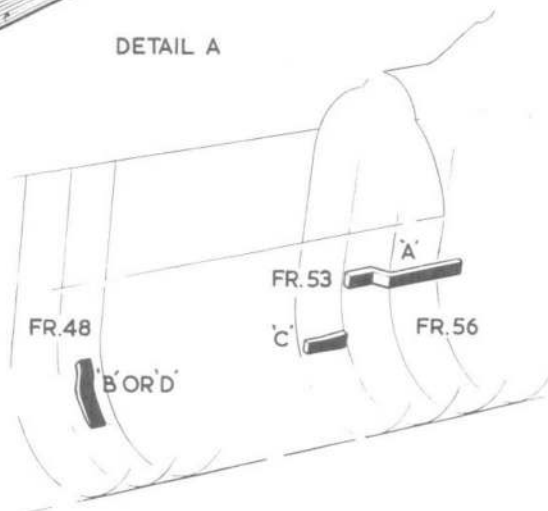
Restricted



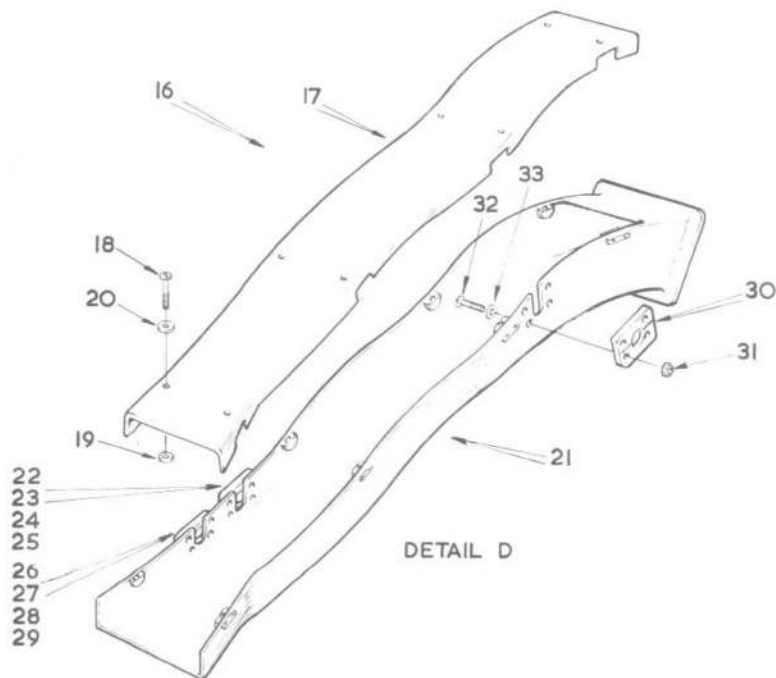
DETAIL A



DETAIL B



DETAIL C



DETAIL D

FIG. 38. ELECTRICAL EQUIPMENT IN REAR FUSELAGE

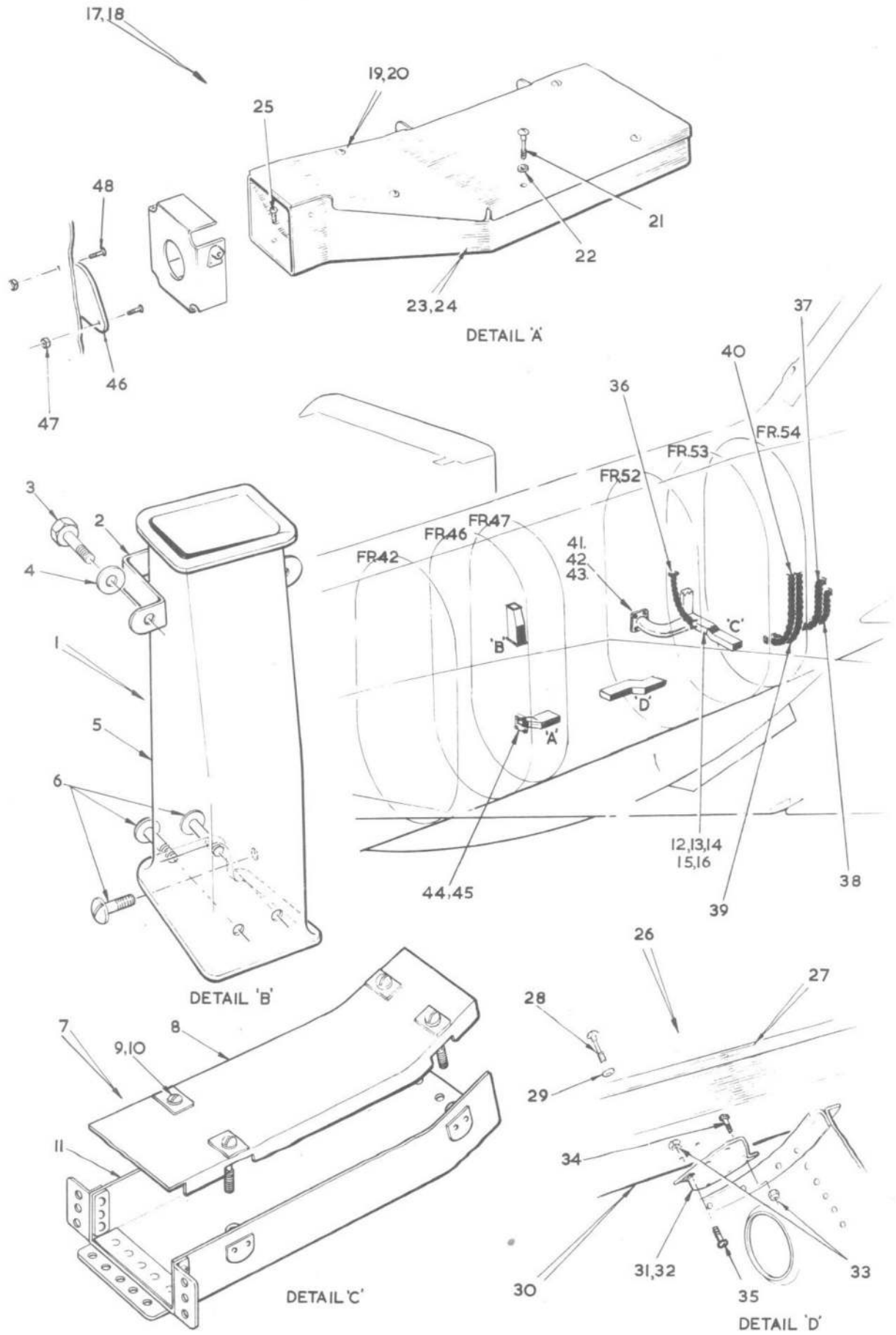
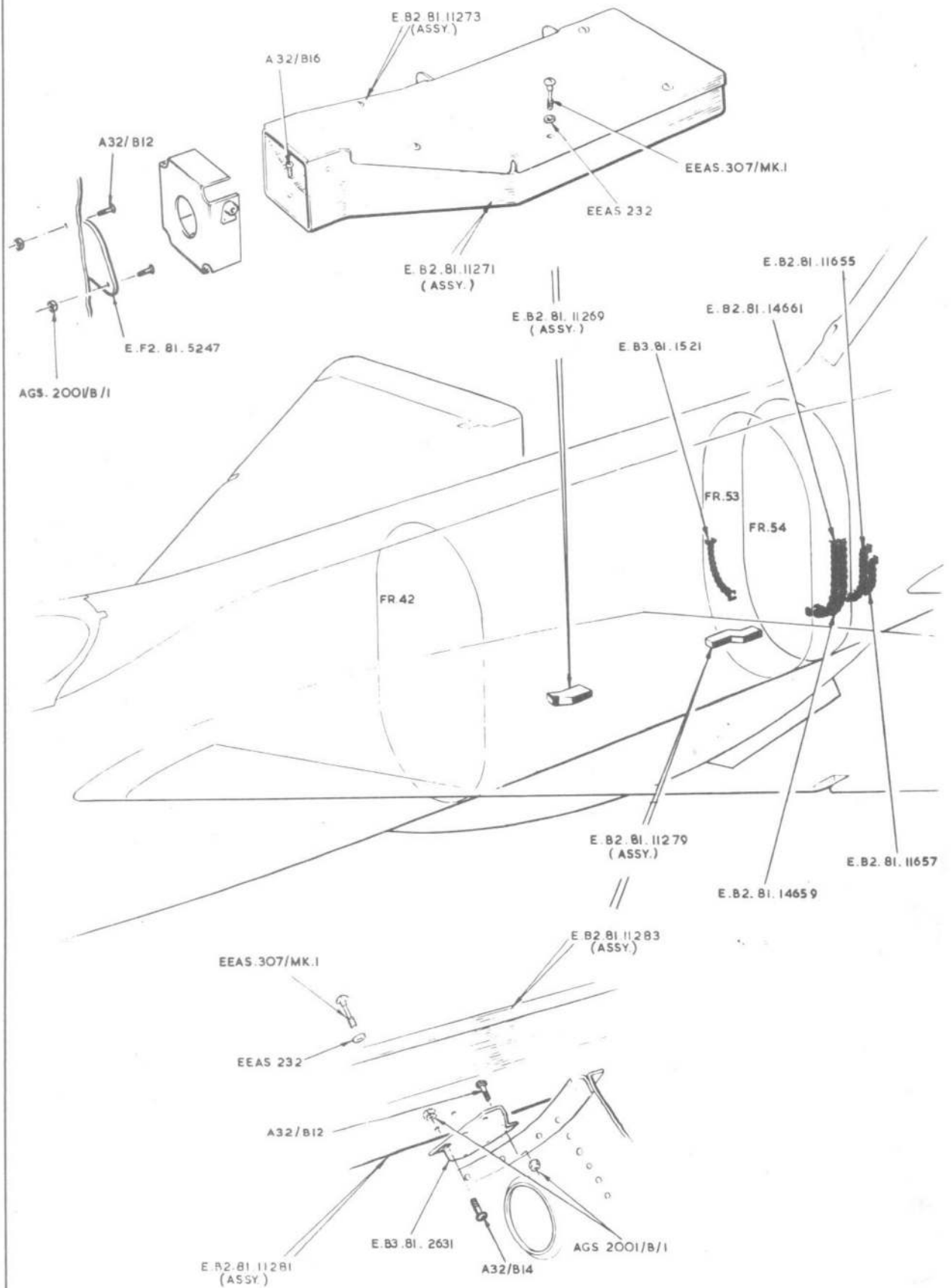


FIG. 39. ELECTRICAL EQUIPMENT IN REAR FUSELAGE



LIGHTNING F.MK.2 ELECTRICAL EQUIPMENT IN REAR FUSELAGE

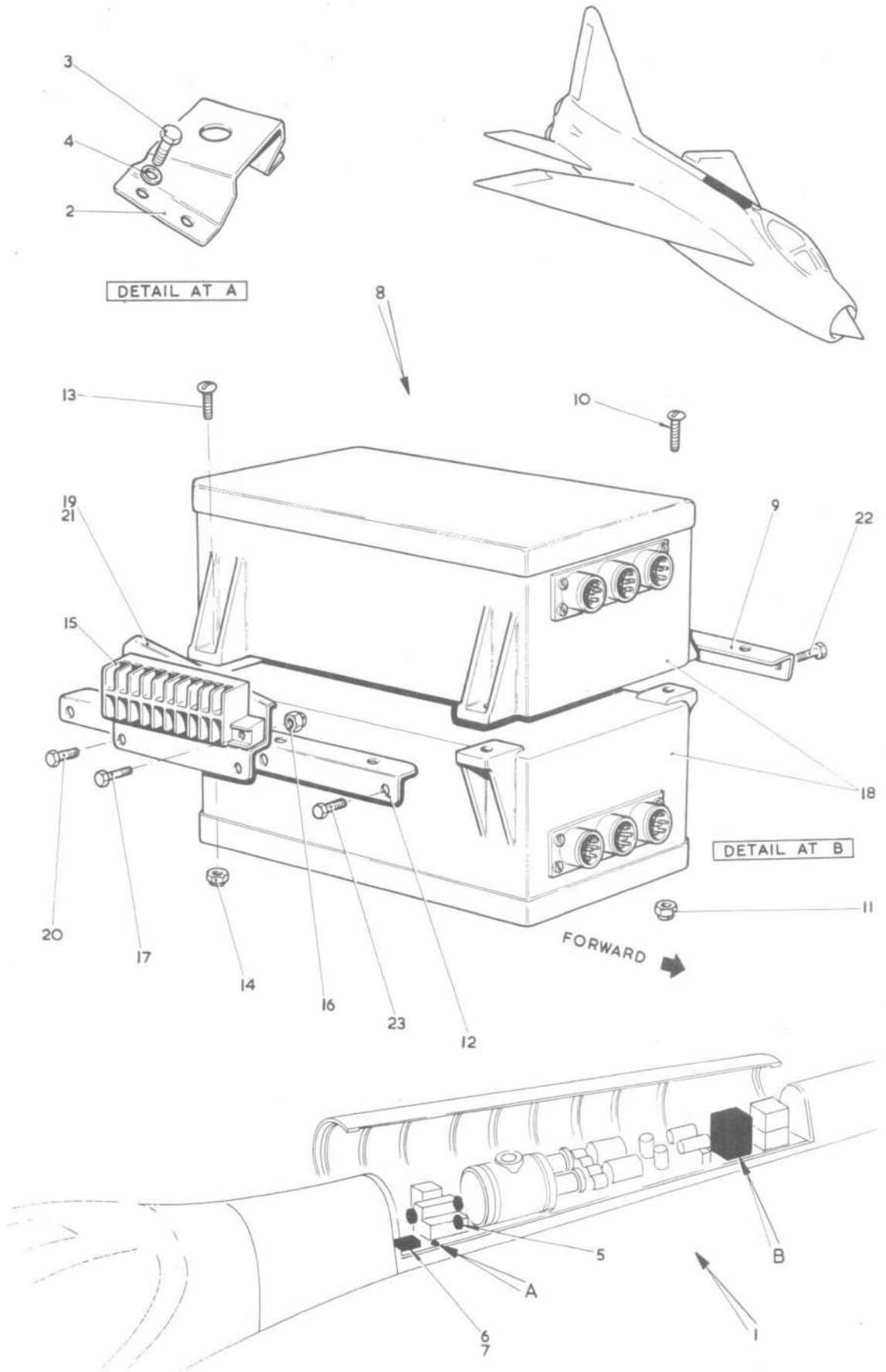


FIG. 40 ELECTRICAL, ELECTRICAL EQUIPMENT IN REAR FUSELAGE

F.MK. 2 & 2A SECT. E.



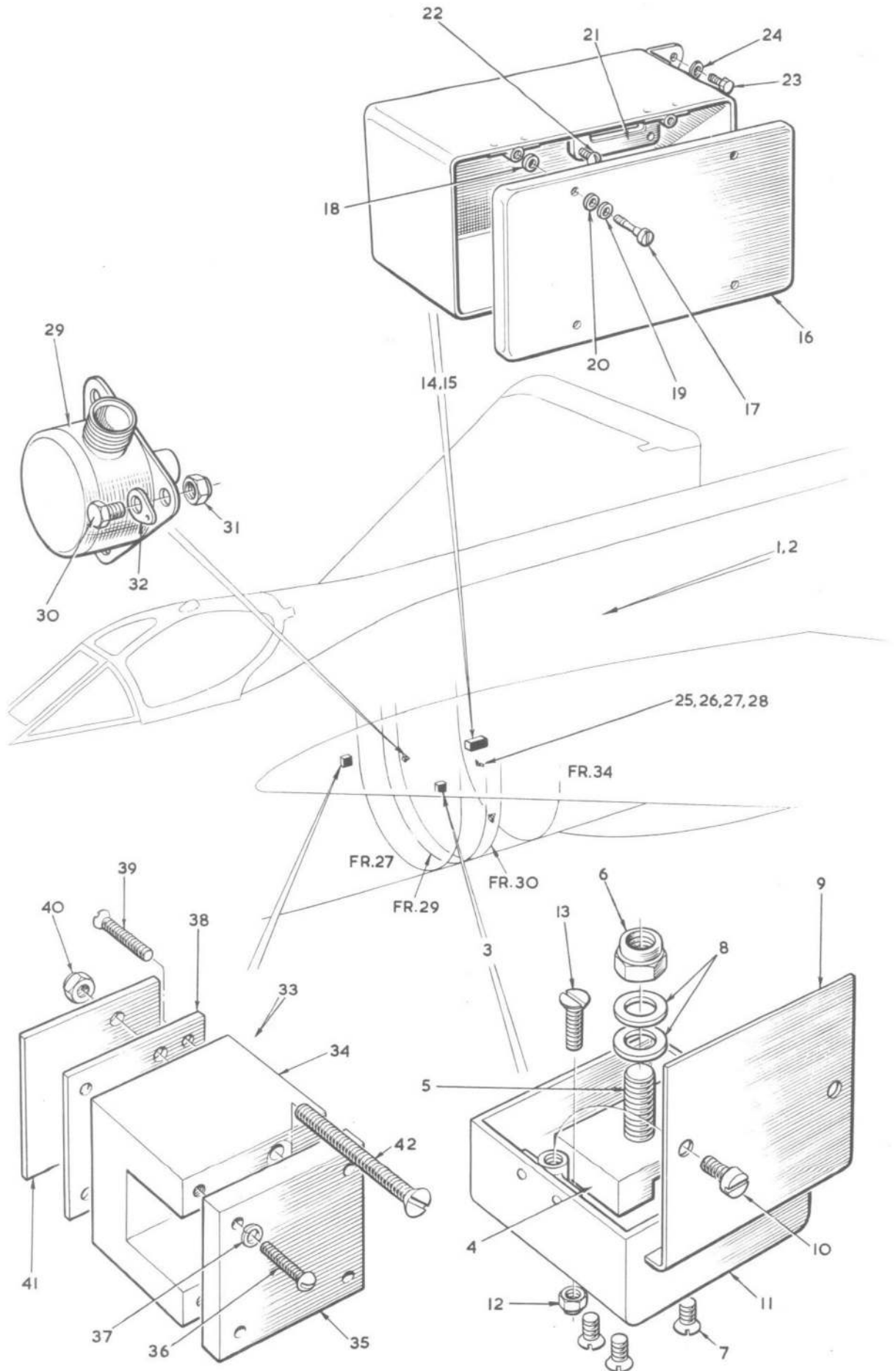


FIG.42. ELECTRICAL EQUIPMENT IN REAR FUSELAGE

Restricted



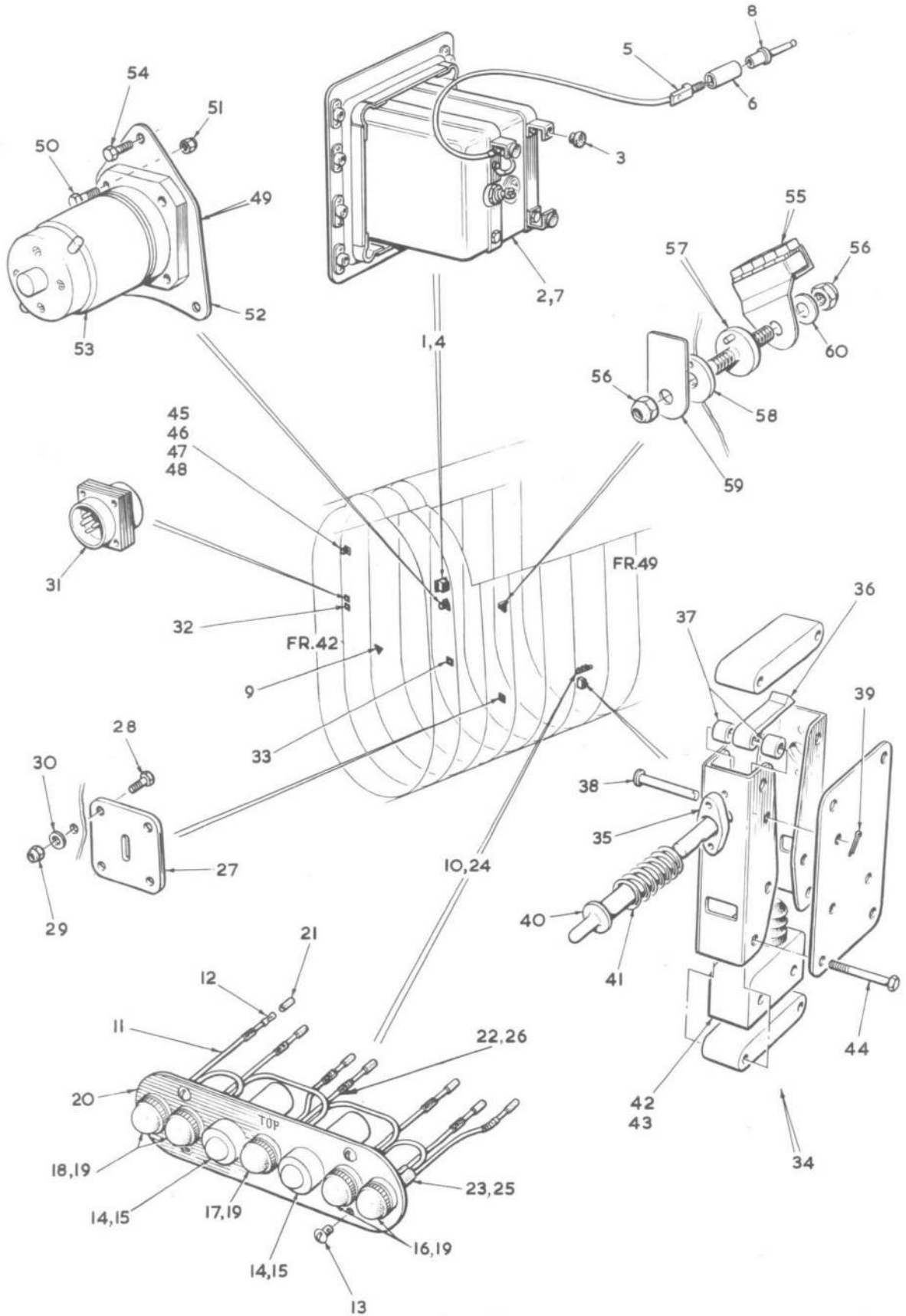


FIG.44. ELECTRICAL EQUIPMENT IN REAR FUSELAGE

Restricted

MK. 2& 2A. SECT. E

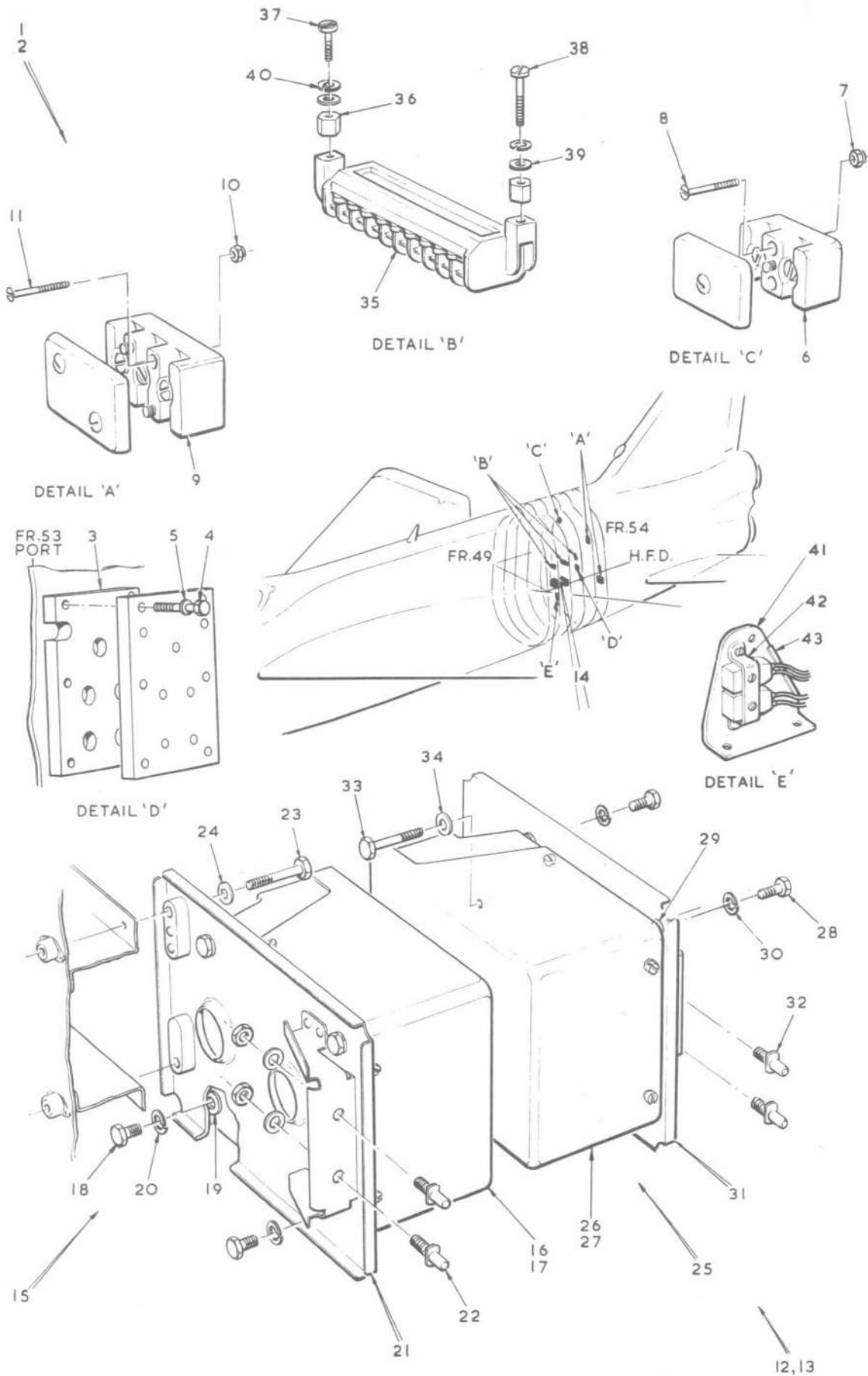


FIG.45. ELECTRICAL EQUIPMENT IN REAR FUSELAGE

Restricted

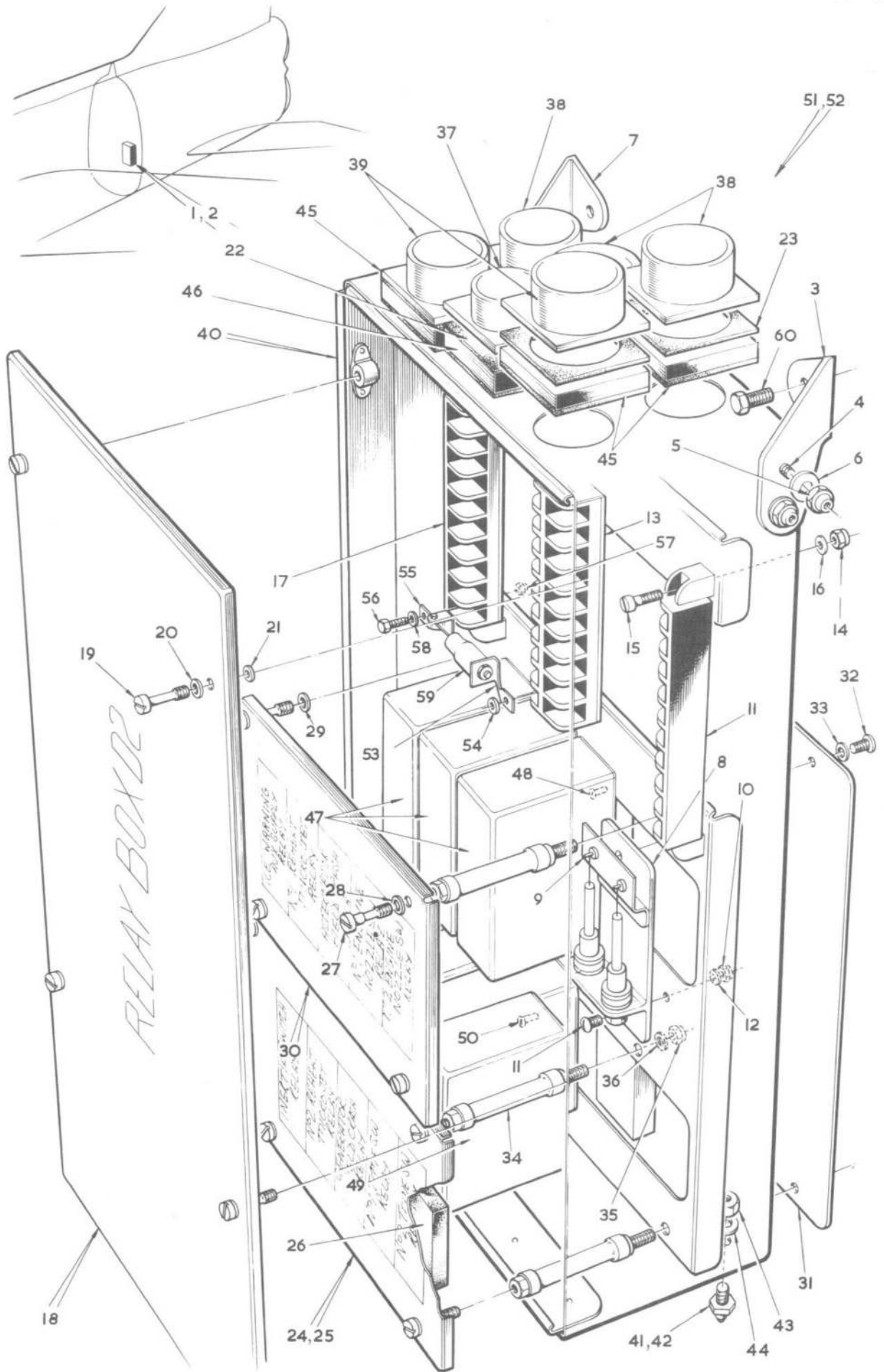
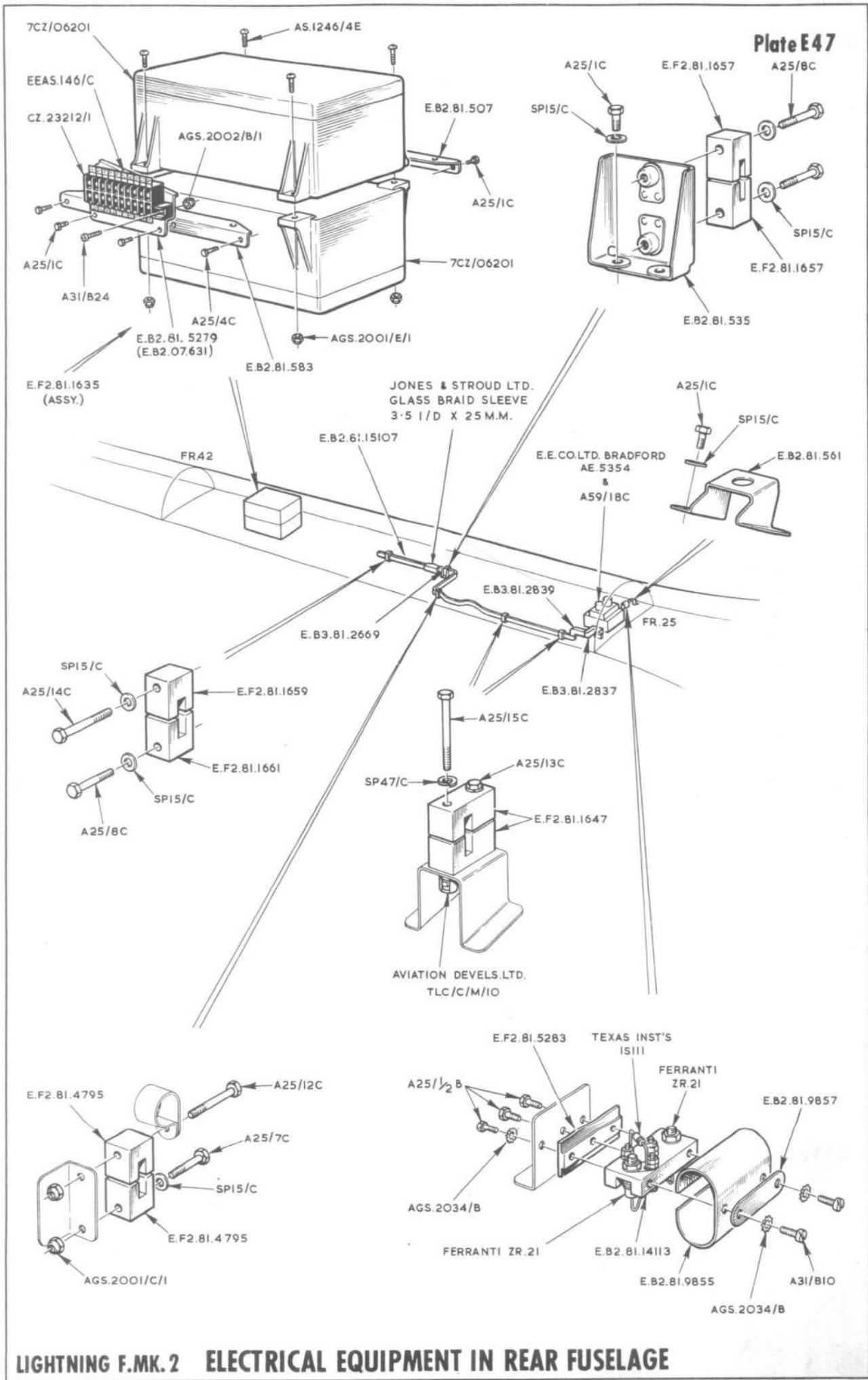
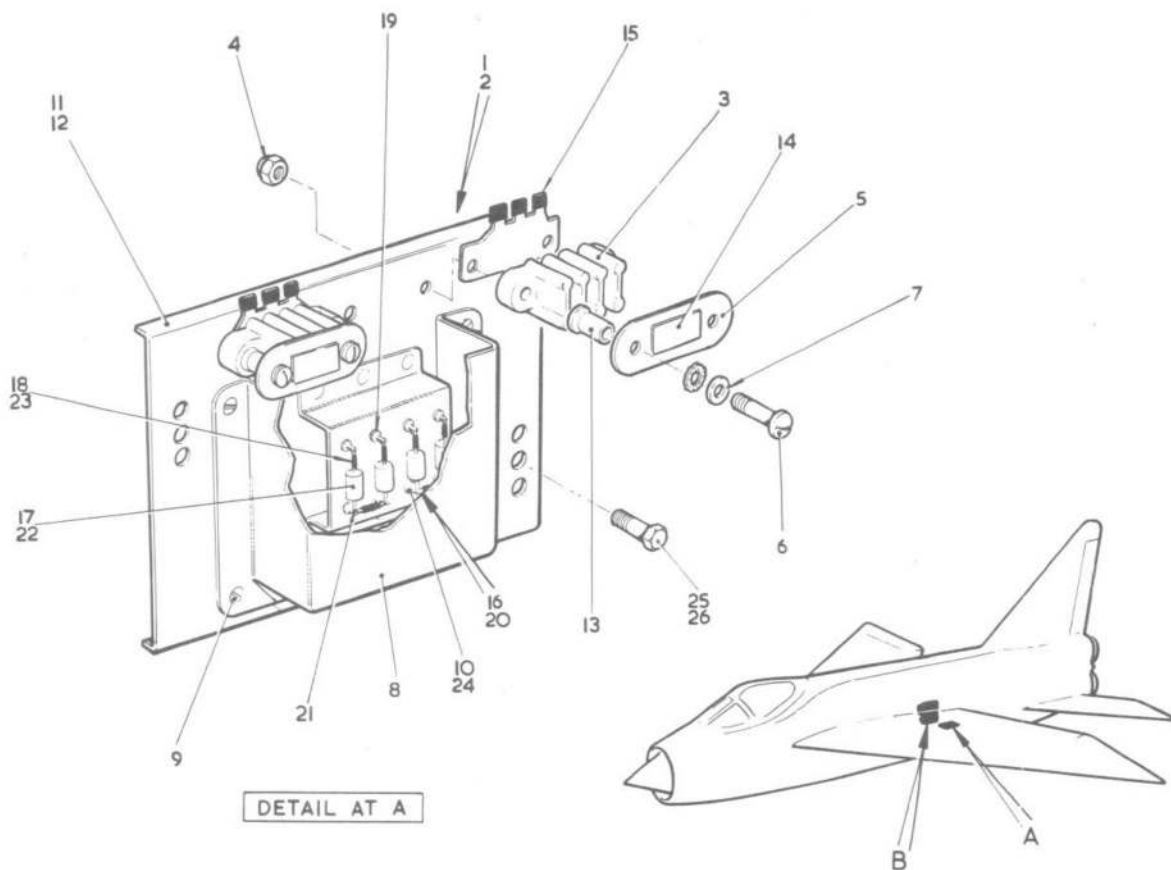


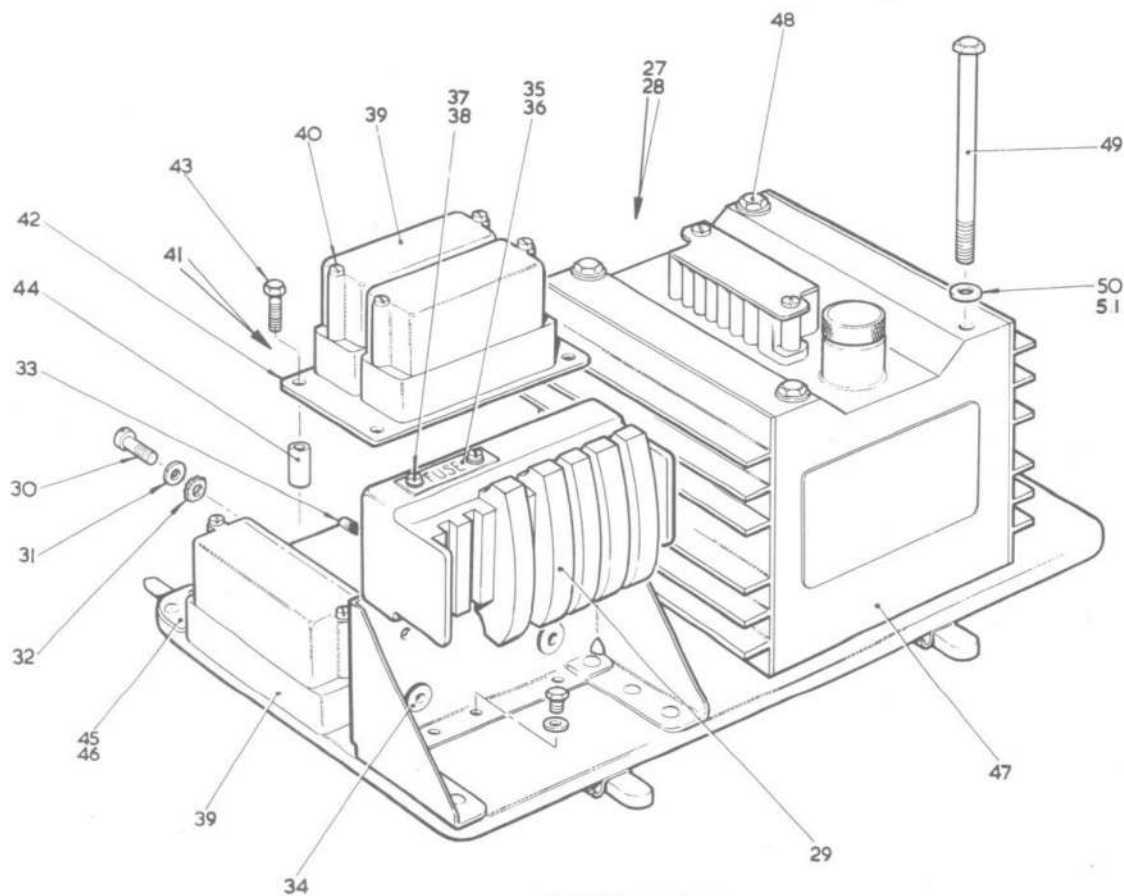
FIG. 46. ELECTRICAL EQUIPMENT IN REAR FUSELAGE



LIGHTNING F.MK.2 ELECTRICAL EQUIPMENT IN REAR FUSELAGE



DETAIL AT A



DETAIL AT B

FIG. 47 ELECTRICAL, ELECTRICAL EQUIPMENT IN REAR FUSELAGE

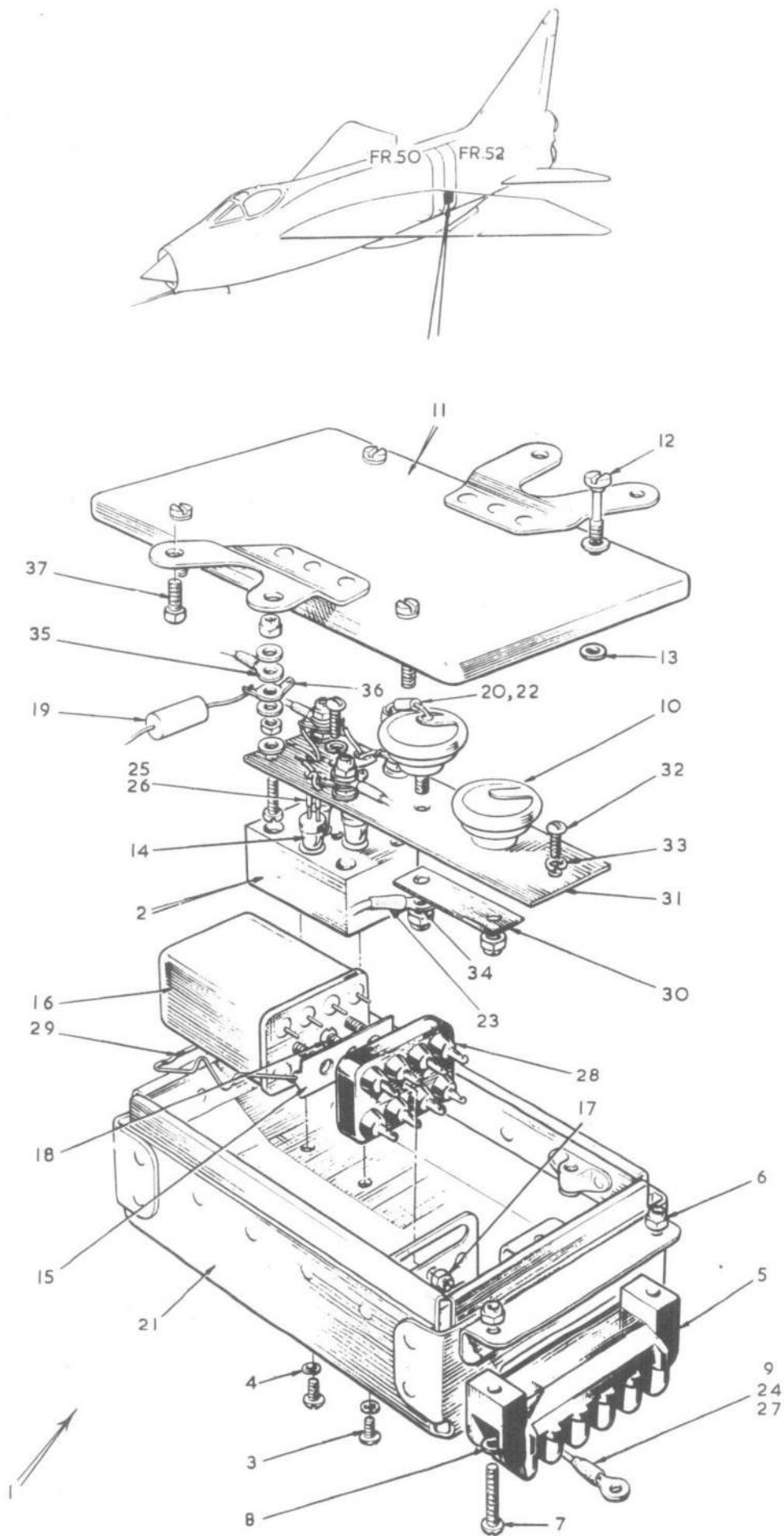


FIG.48. ELECTRICAL EQUIPMENT IN REAR FUSELAGE

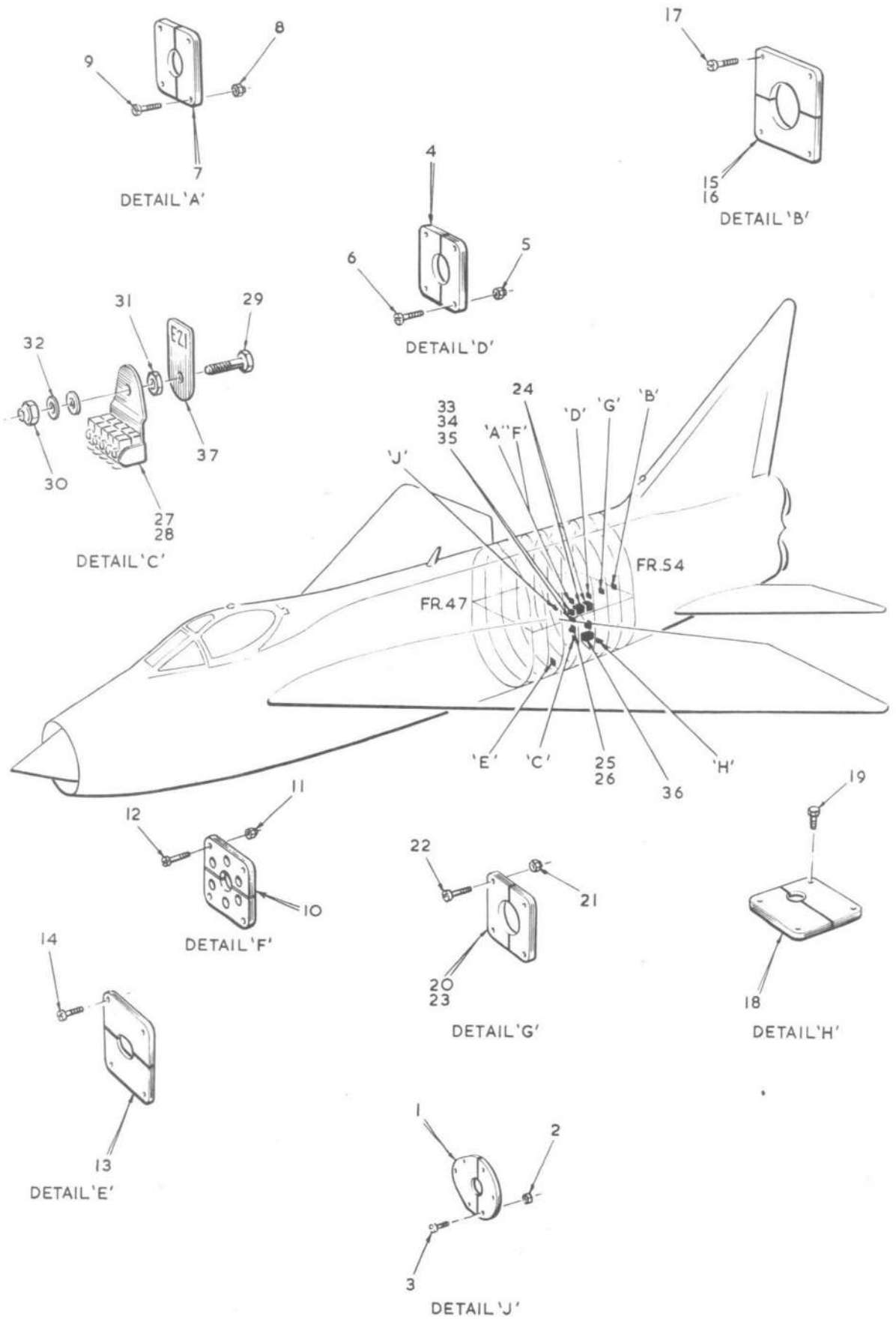


FIG.49. ELECTRICAL EQUIPMENT IN REAR FUSELAGE

Restricted

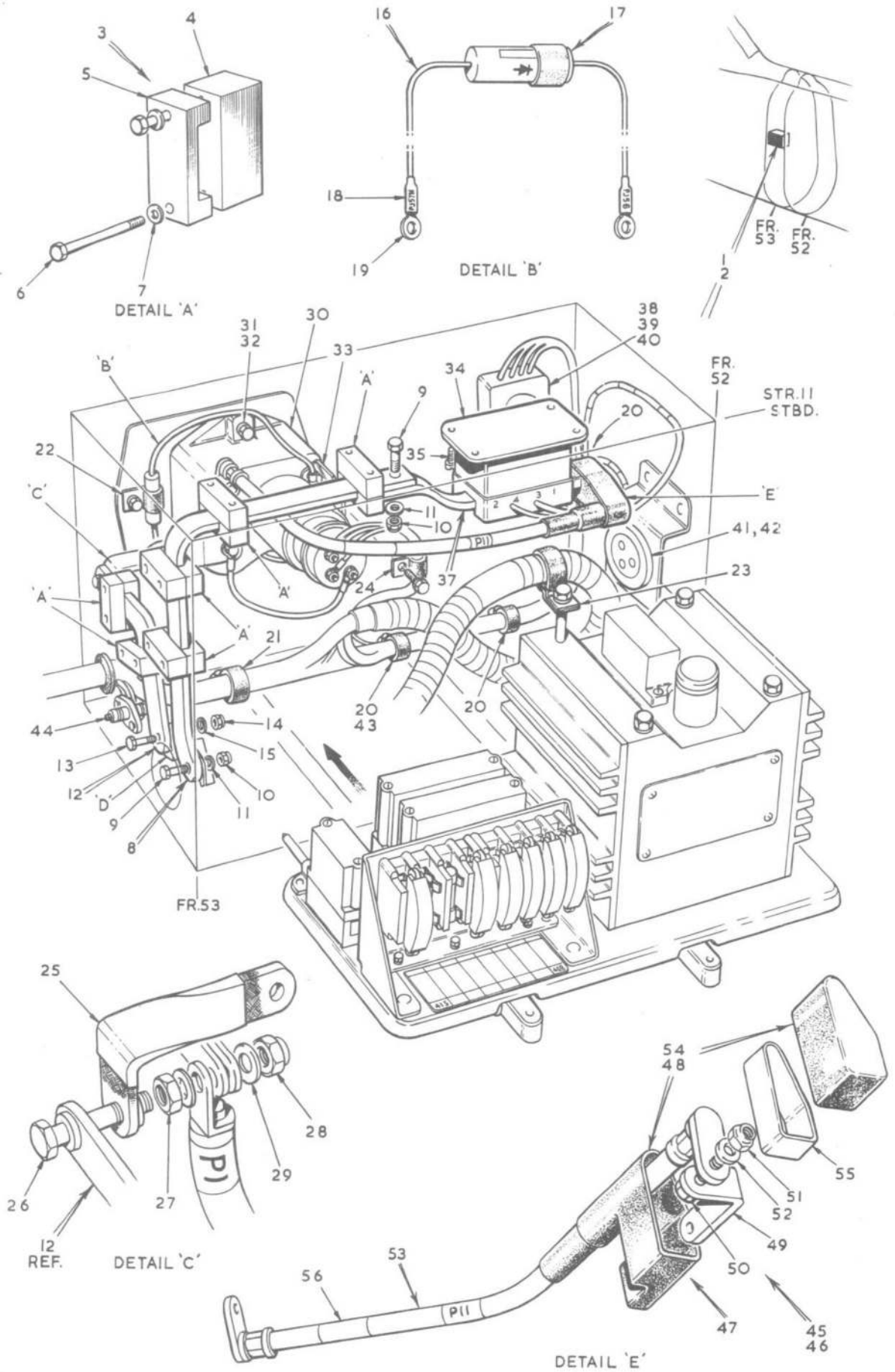


FIG.50. ELECTRICAL EQUIPMENT IN REAR FUSELAGE  
Restricted

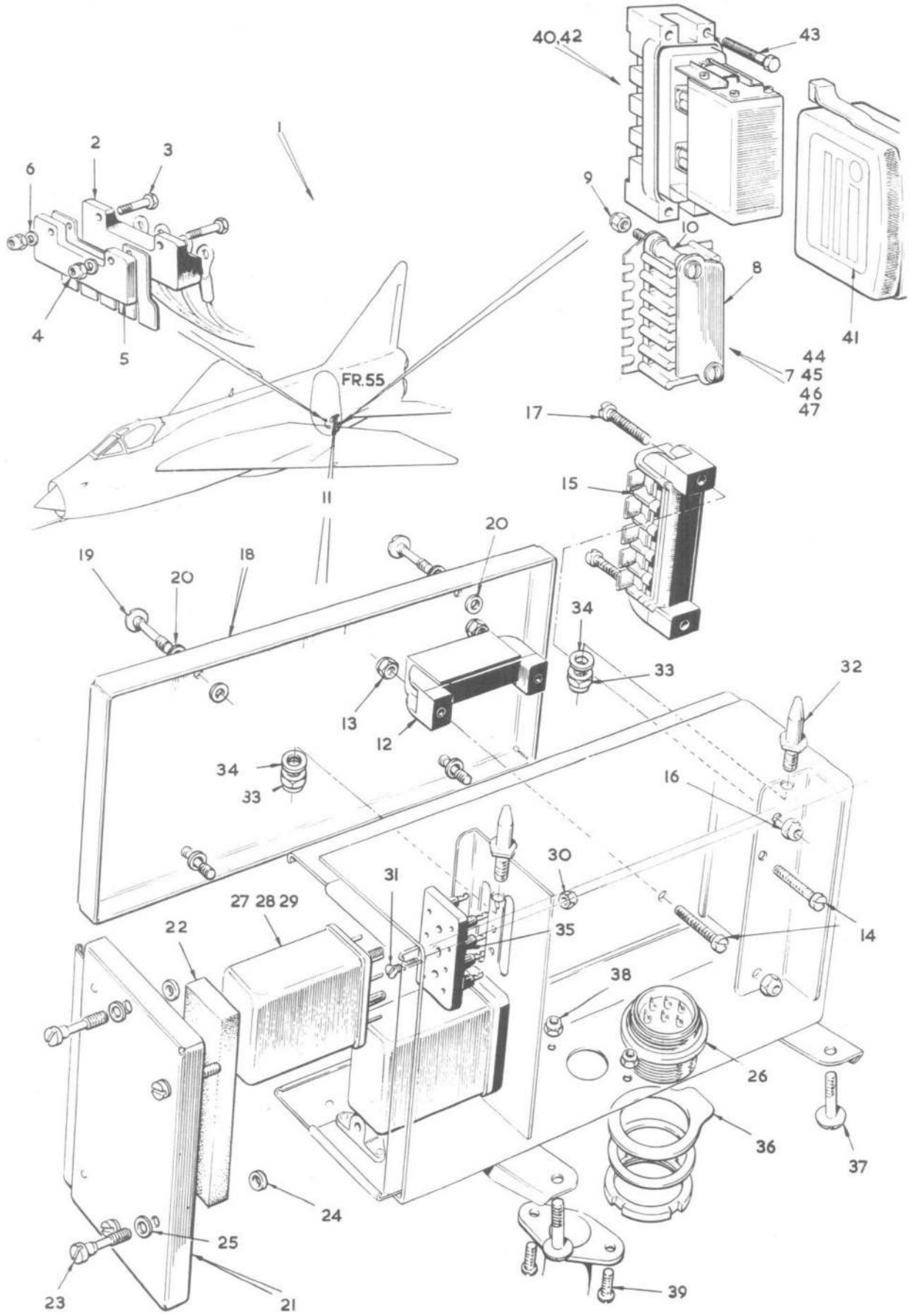


FIG. 51. ELECTRICAL EQUIPMENT IN REAR FUSELAGE  
Restricted

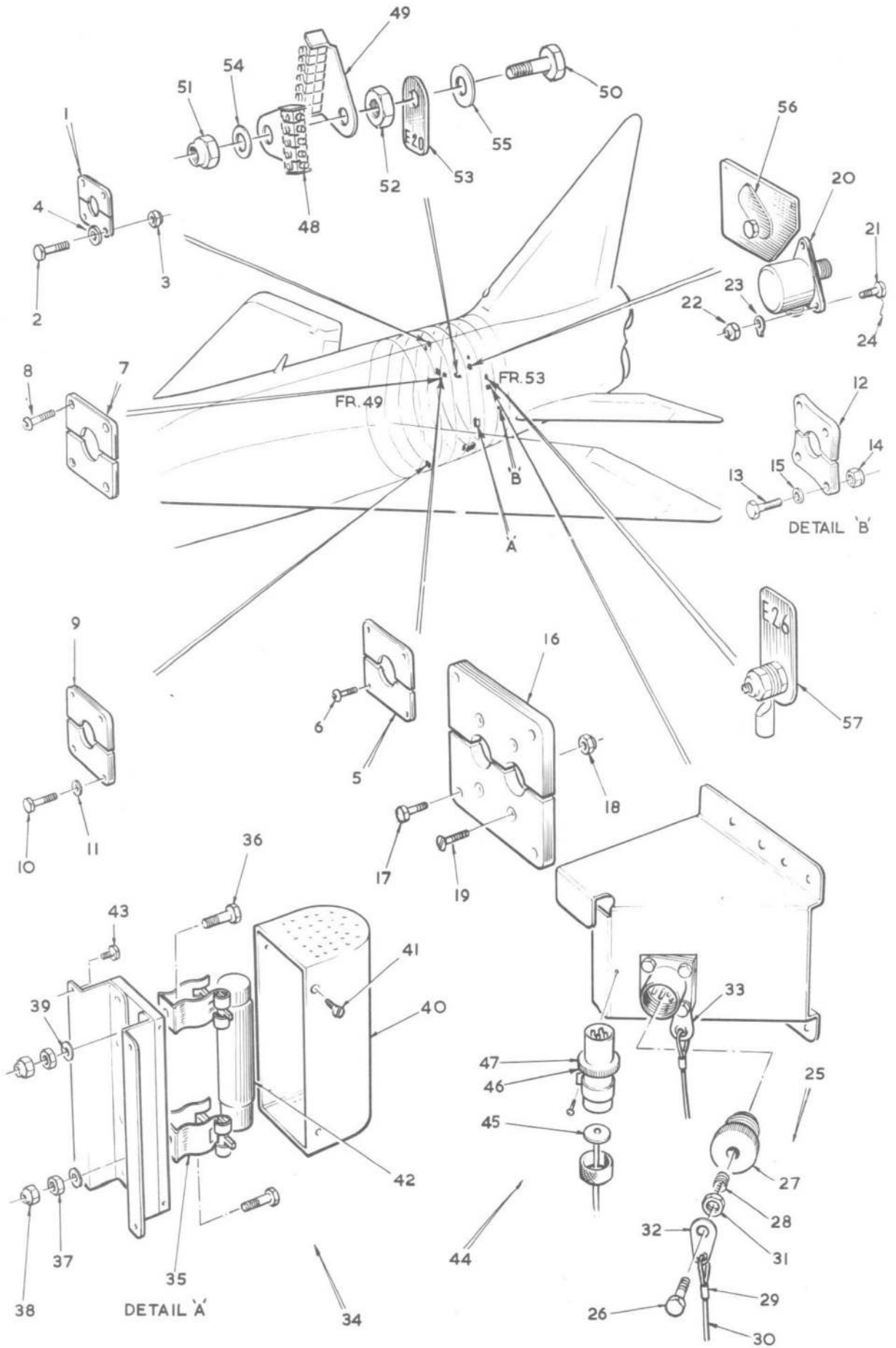
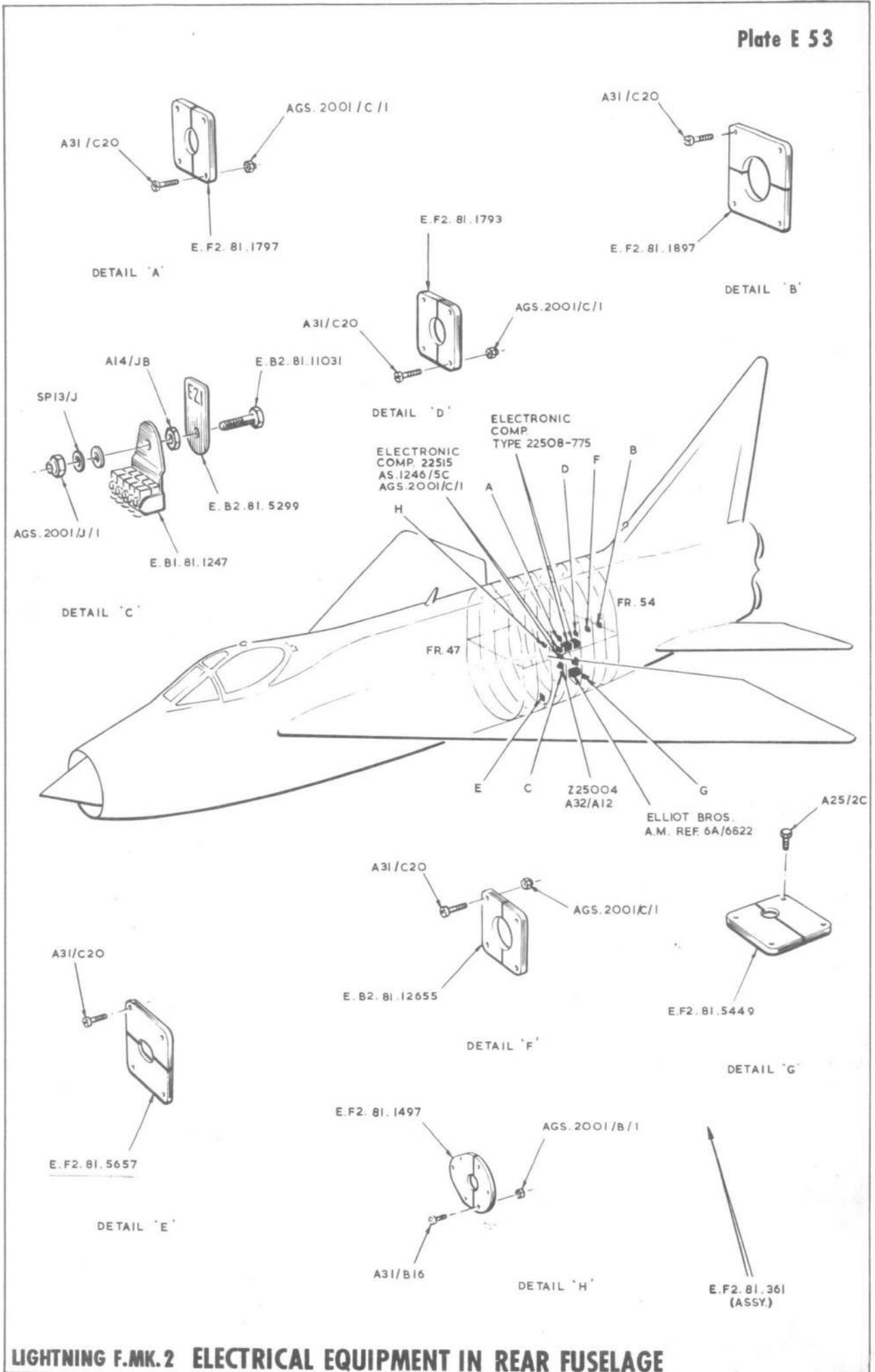


FIG.52. ELECTRICAL EQUIPMENT IN REAR FUSELAGE  
Restricted



LIGHTNING F.MK.2 ELECTRICAL EQUIPMENT IN REAR FUSELAGE

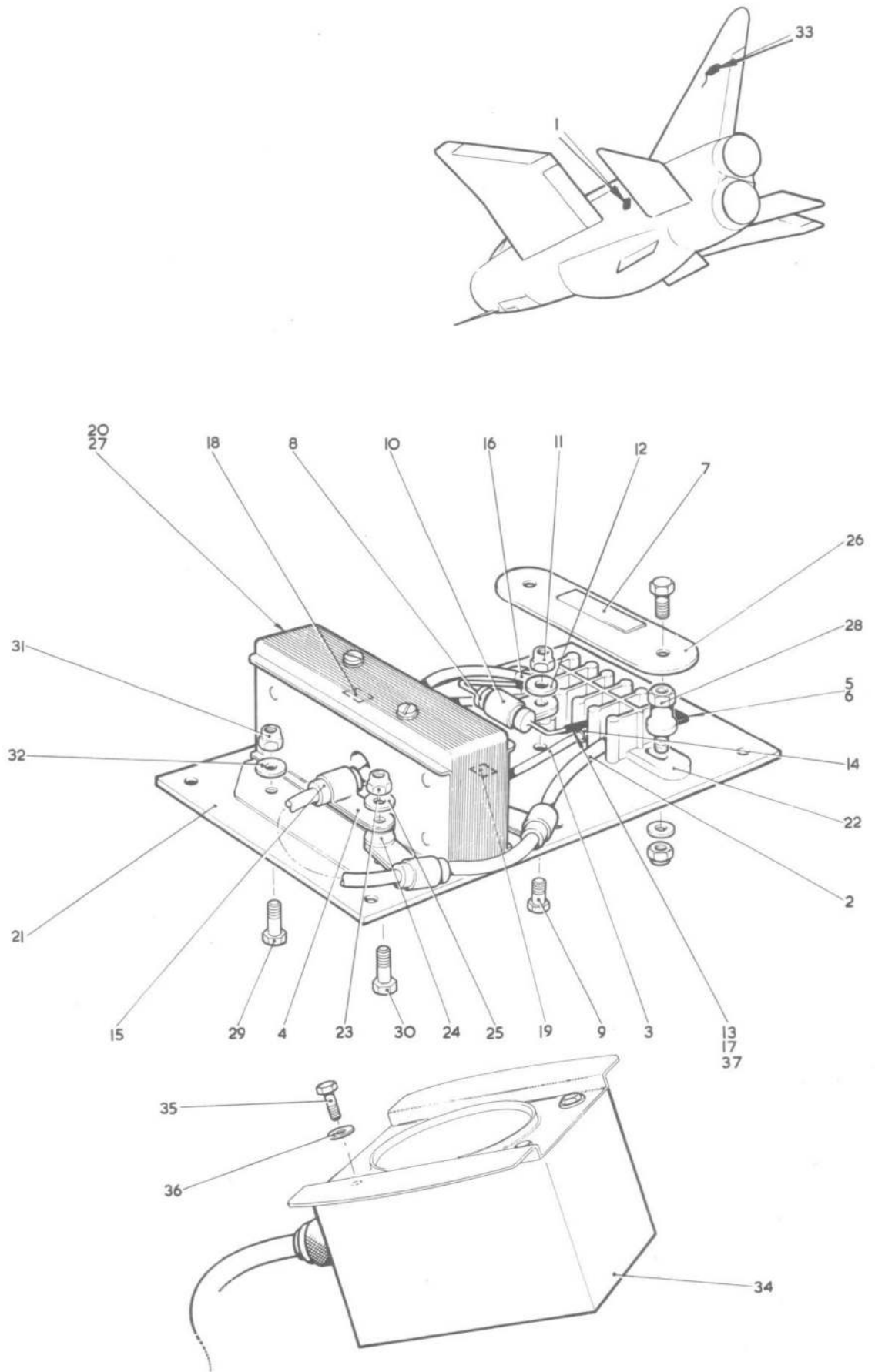


FIG. 53 ELECTRICAL, ELECTRICAL EQUIPMENT IN REAR FUSELAGE

F. MK. 2/2A SECT. E

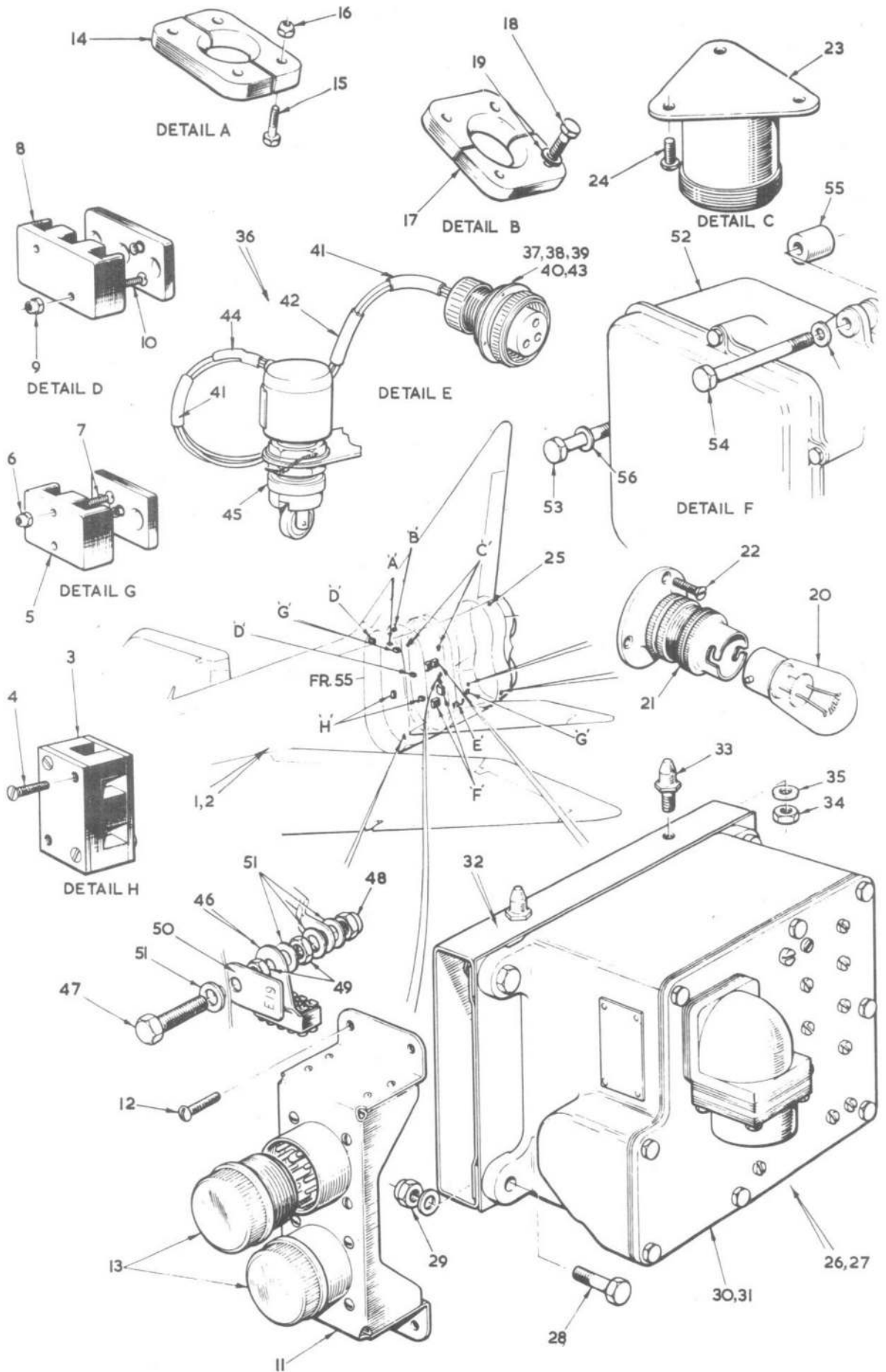


FIG. 54. ELECTRICAL EQUIPMENT IN REAR FUSELAGE

Restricted

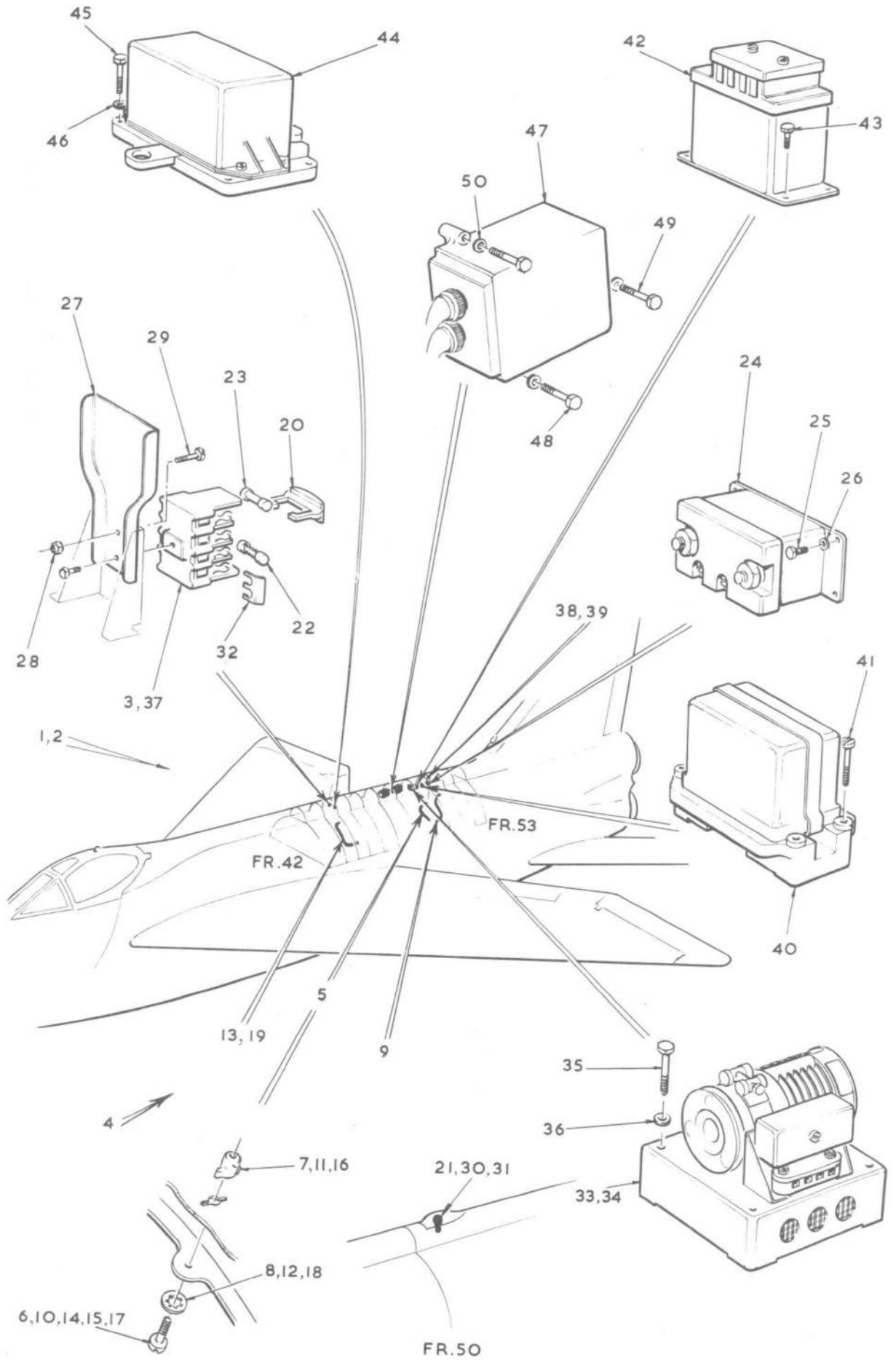
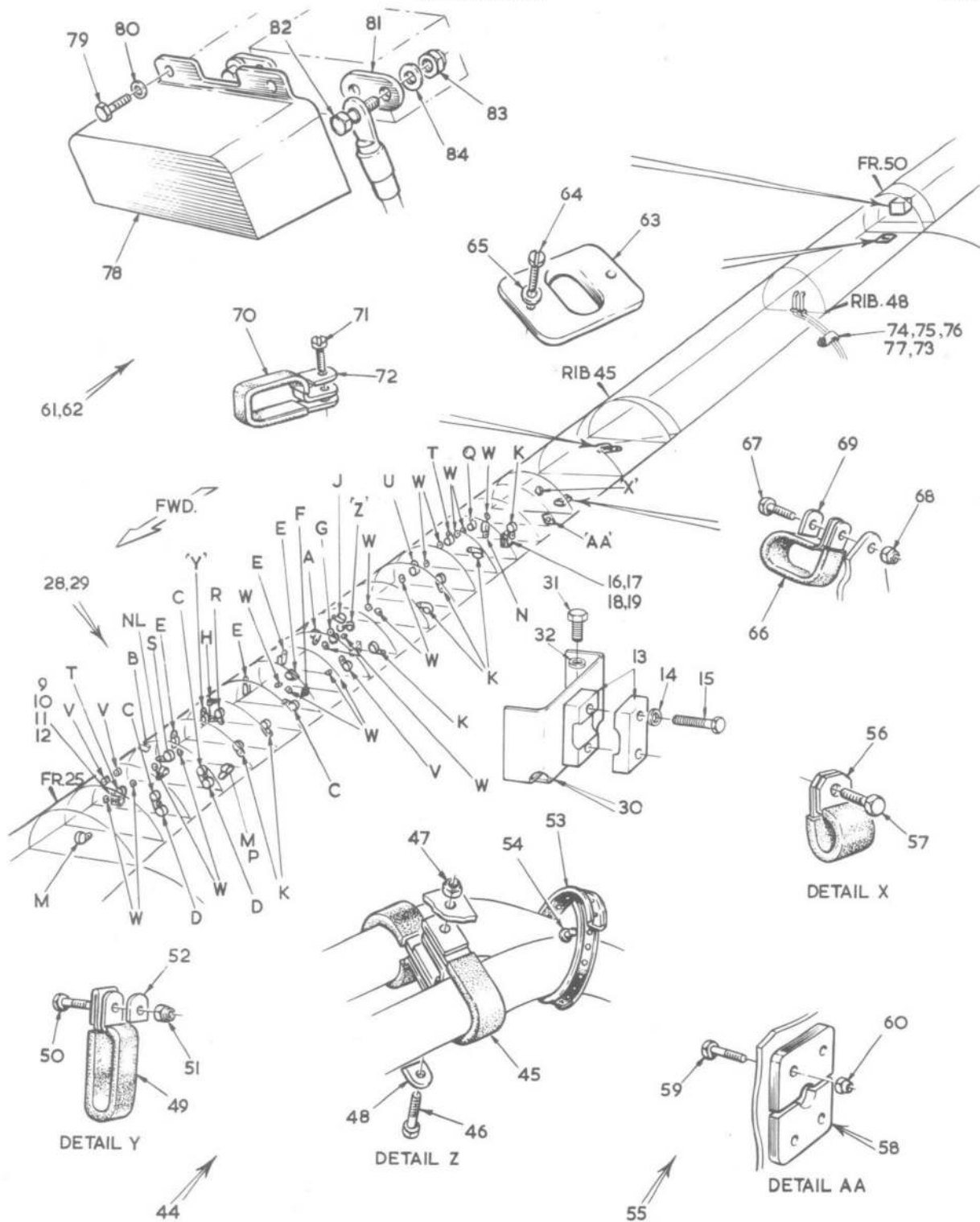


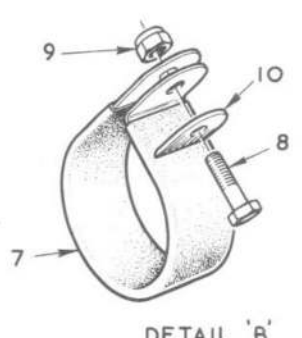
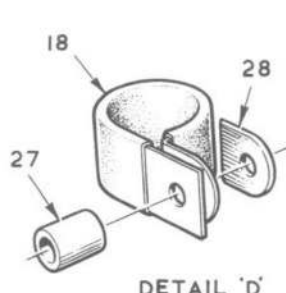
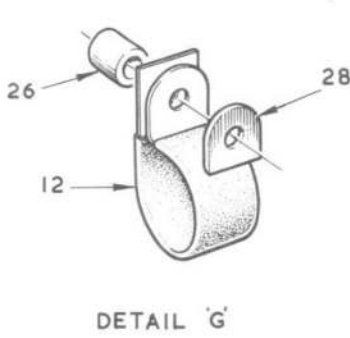
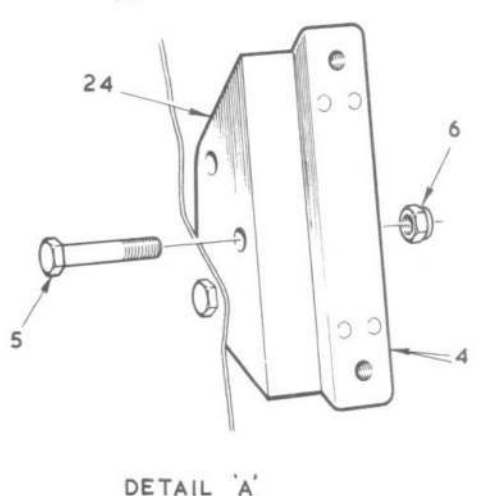
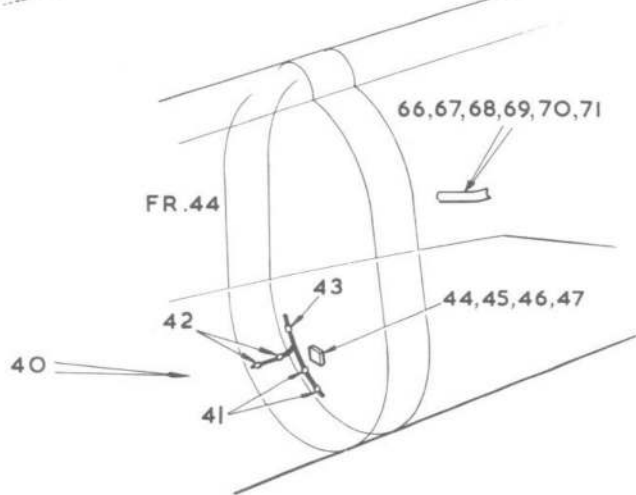
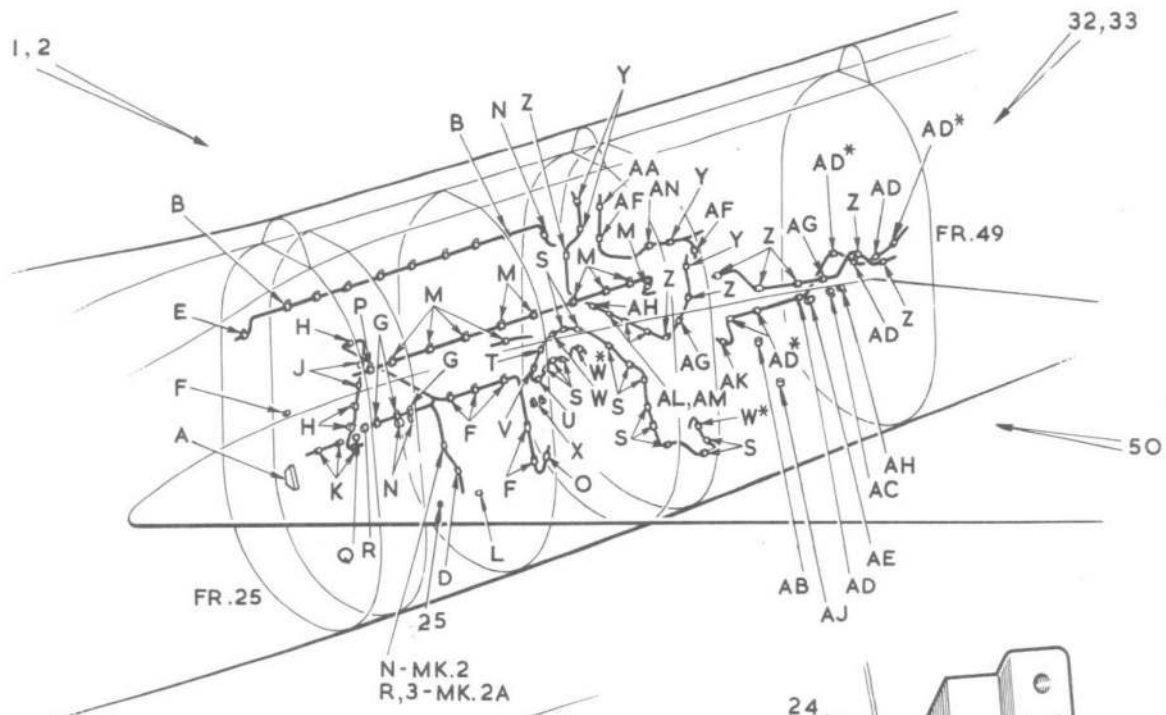
FIG.55. ELECTRICAL EQUIPMENT IN REAR FUSELAGE  
Restricted



DETAIL	P'CLIP	D'WASHER
A	33	25
B	34	25
C	35	20
D	36	20
E	37	25
F	38	20
G	39	24
H	40	26
J	41	26/21
K	42	26

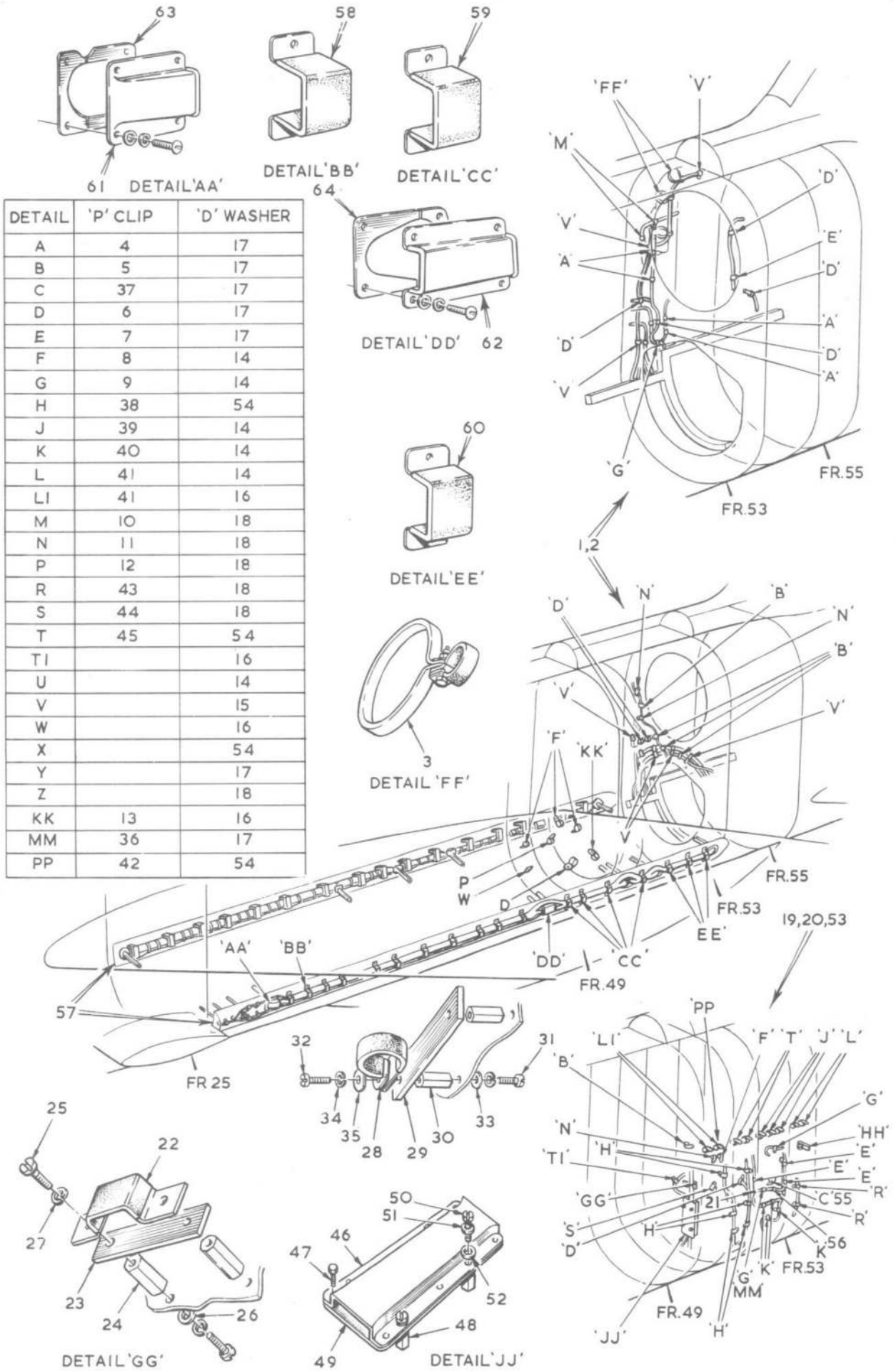
DETAIL	P'CLIP	D'WASHER
L	43	23
M	1	22
N	3	23
P	2	22
Q	4	22
R	5	22
S	6	22
T	7	22
U	8	22
V		26
W		27

FIG.56. ELECTRICAL EQUIPMENT IN REAR FUSELAGE  
Restricted



DETAIL	E	F	H	J	K	L	M	N	O	P	Q	R	S	T	U	V
'P' CLIP	11	12	13	14	15	16	17	19	20	21	22	23	34	35	36	37
'D' WASHER	29	30	30	31	28	28	28	28	31	29	29	29	49	49	49	49
DETAIL	W	W*	X	Y	Z	AA	AB	AC	AD	AD*	AE	AF	AG	AH	AJ	AK
'P' CLIP	38	38	39	52	54	51	53	55	56	56	57	58	59	60	61	62
'D' WASHER	48		48	74	74	74	74	72		72	72	75	75	73	75	73
DETAIL	AL	AM	AN													
'P' CLIP	63	64	65													
'D' WASHER	73	73	73													

FIG.57. ELECTRICAL EQUIPMENT IN REAR FUSELAGE



DETAIL	'P' CLIP	'D' WASHER
A	4	17
B	5	17
C	37	17
D	6	17
E	7	17
F	8	14
G	9	14
H	38	54
J	39	14
K	40	14
L	41	14
LI	41	16
M	10	18
N	11	18
P	12	18
R	43	18
S	44	18
T	45	54
TI		16
U		14
V		15
W		16
X		54
Y		17
Z		18
KK	13	16
MM	36	17
PP	42	54

FIG.58. ELECTRICAL EQUIPMENT IN REAR FUSELAGE

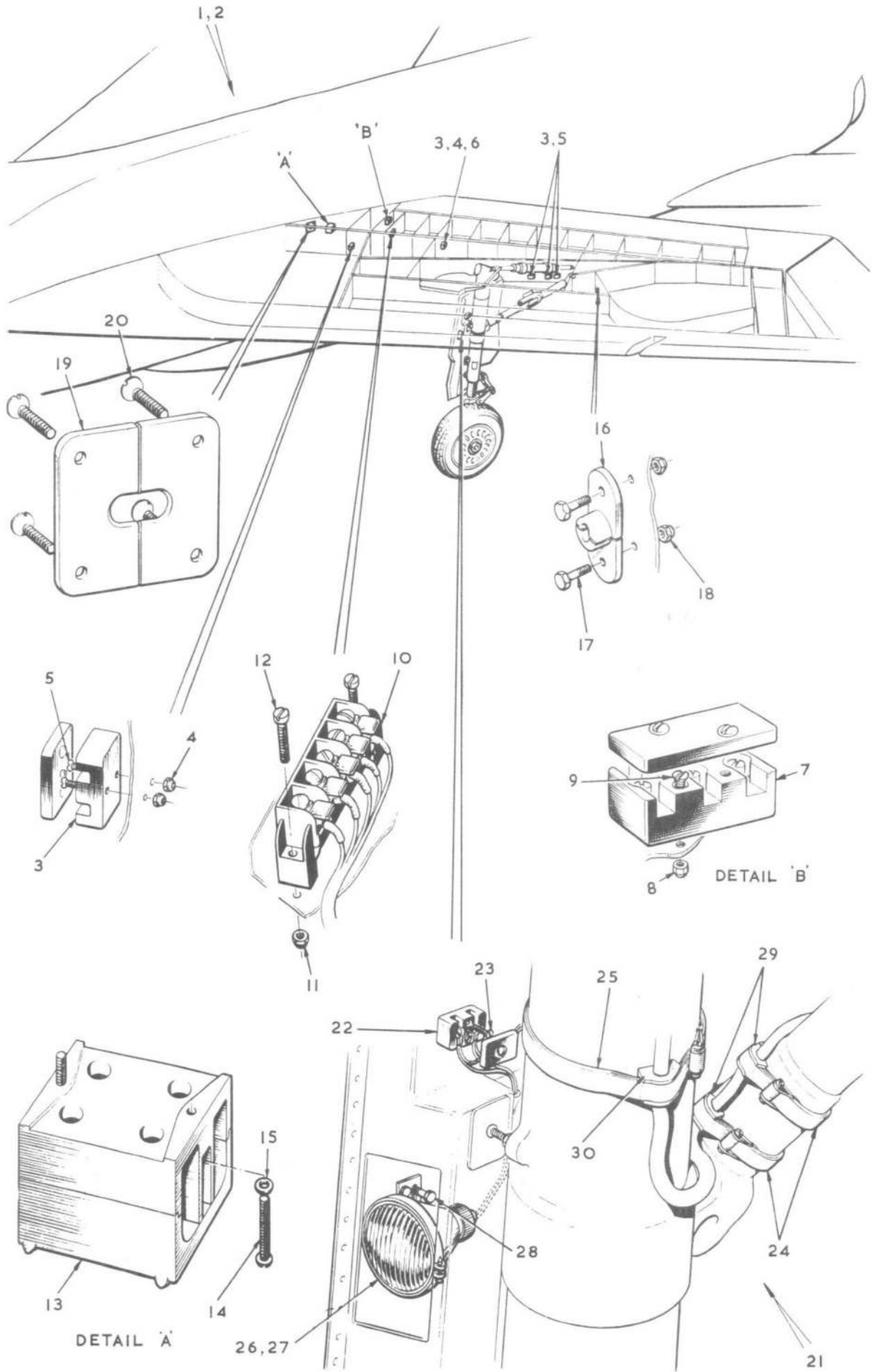


FIG.59. ELECTRICAL EQUIPMENT IN PORT WING  
Restricted

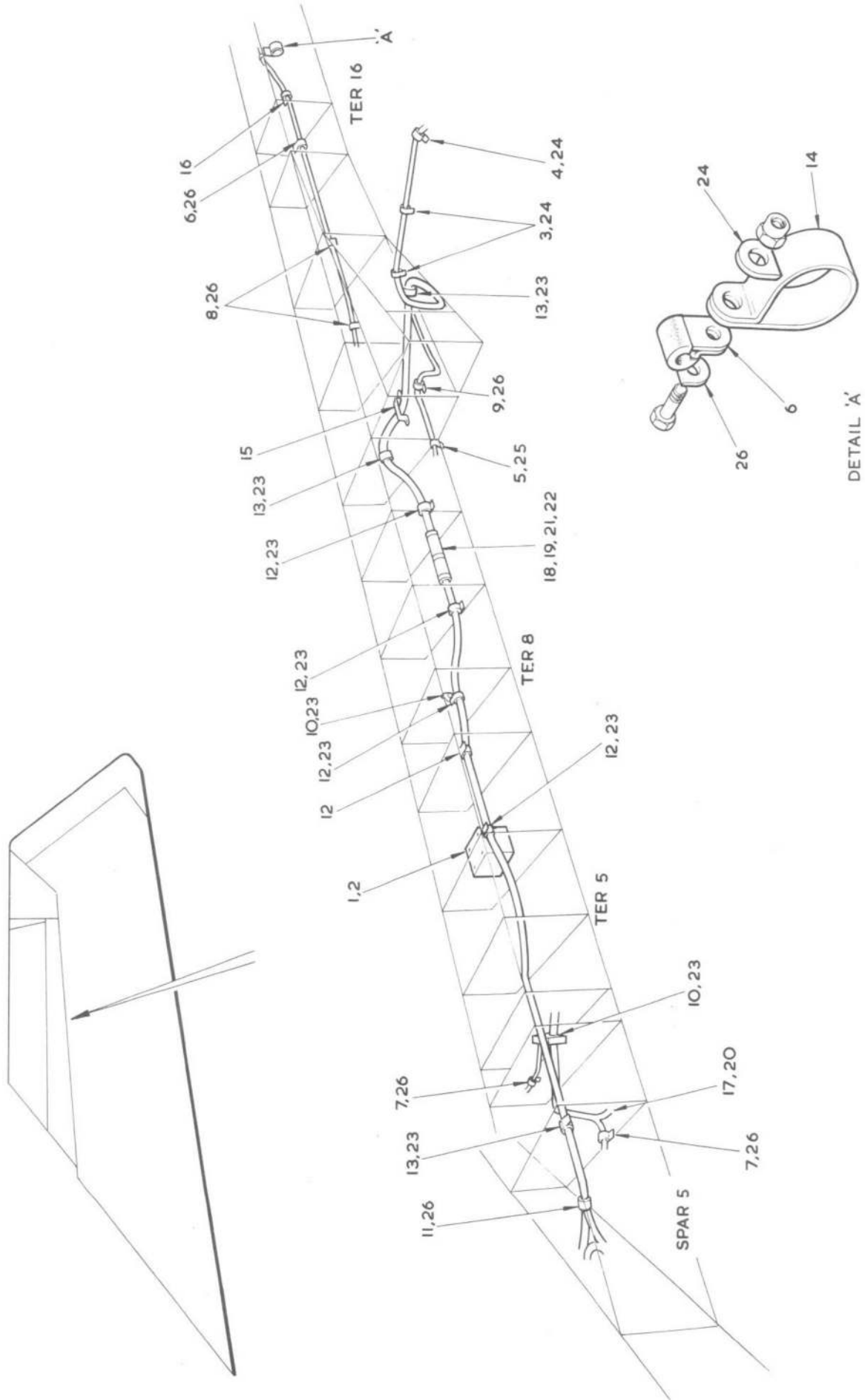
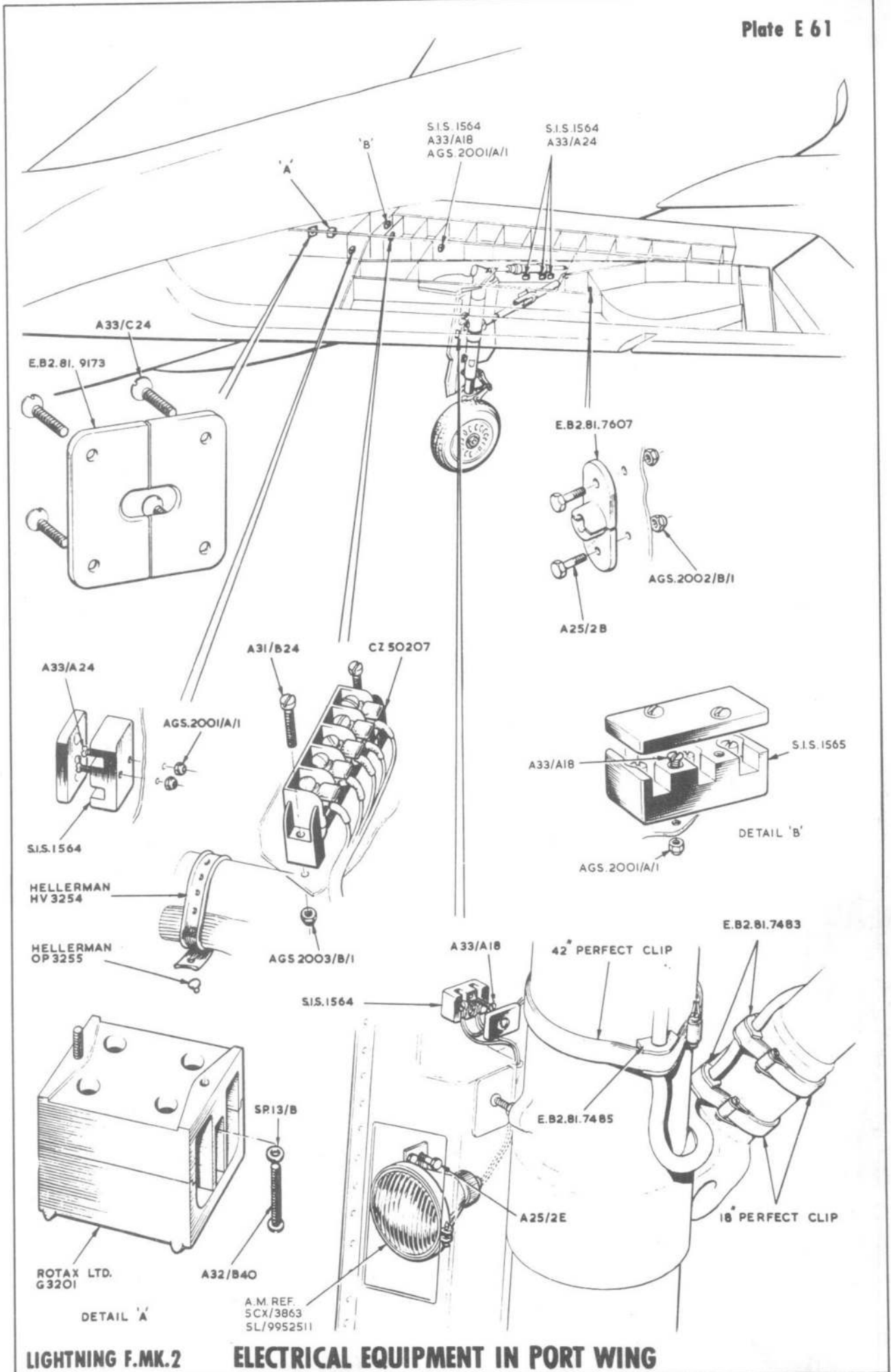


FIG. 60. ELECTRICAL EQUIPMENT IN PORT WING  
Restricted



LIGHTNING F.MK.2

ELECTRICAL EQUIPMENT IN PORT WING

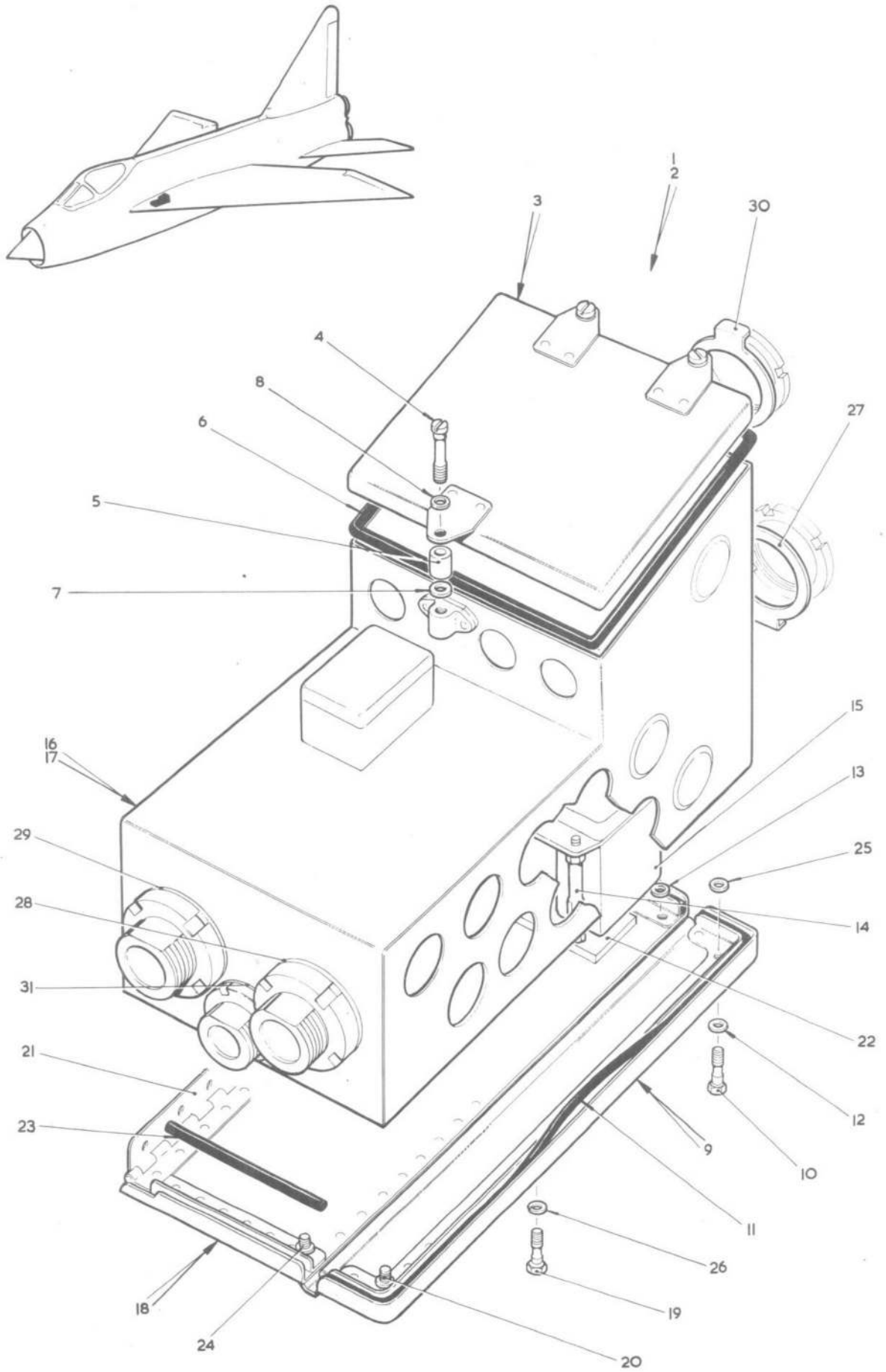


FIG. 61 ELECTRICAL, ELECTRICAL EQUIPMENT IN PORT WING

F.M.K. 2/2A SECTE.

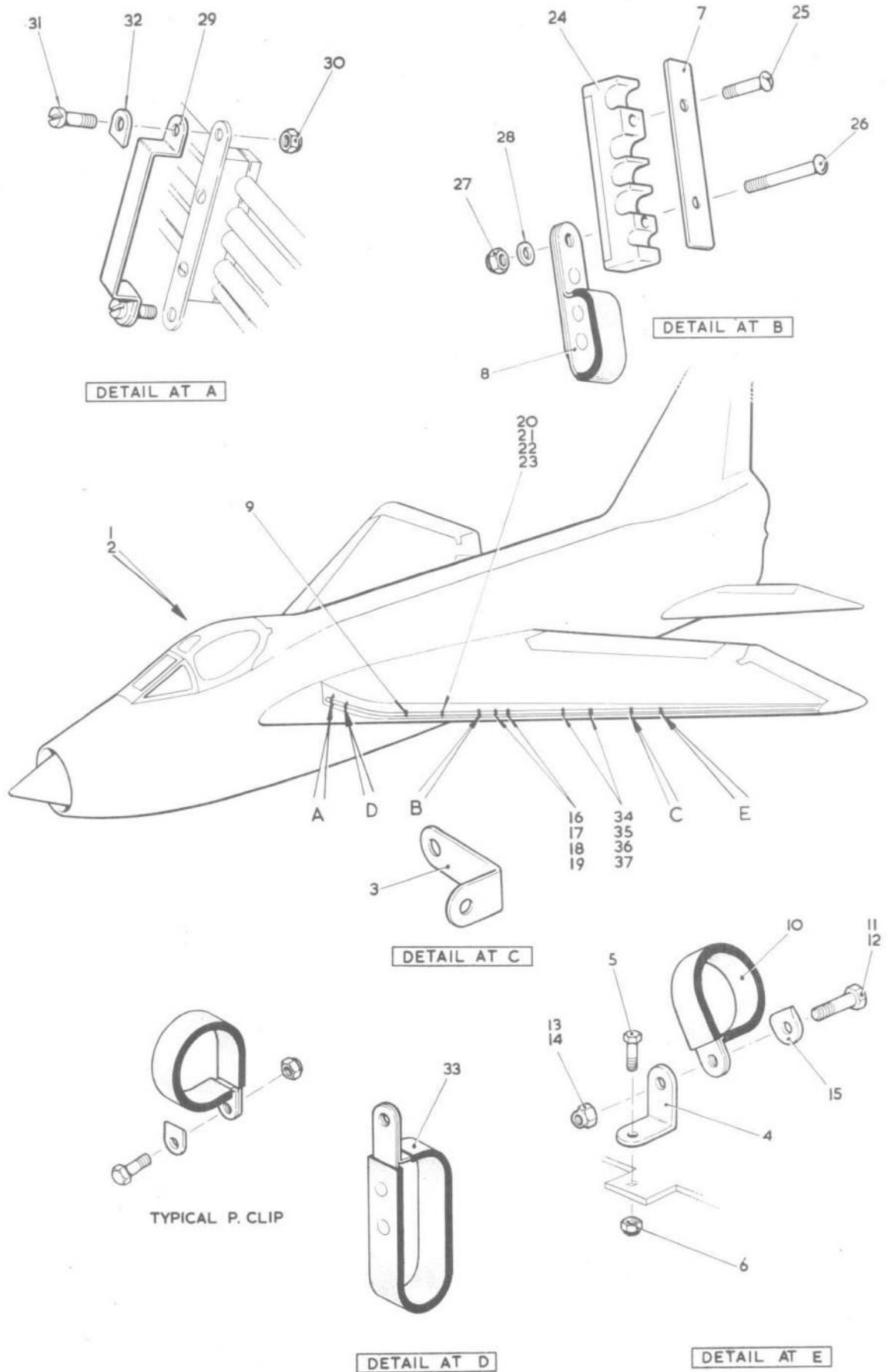


FIG.62 ELECTRICAL , ELECTRICAL EQUIPMENT PORT WING  
Restricted

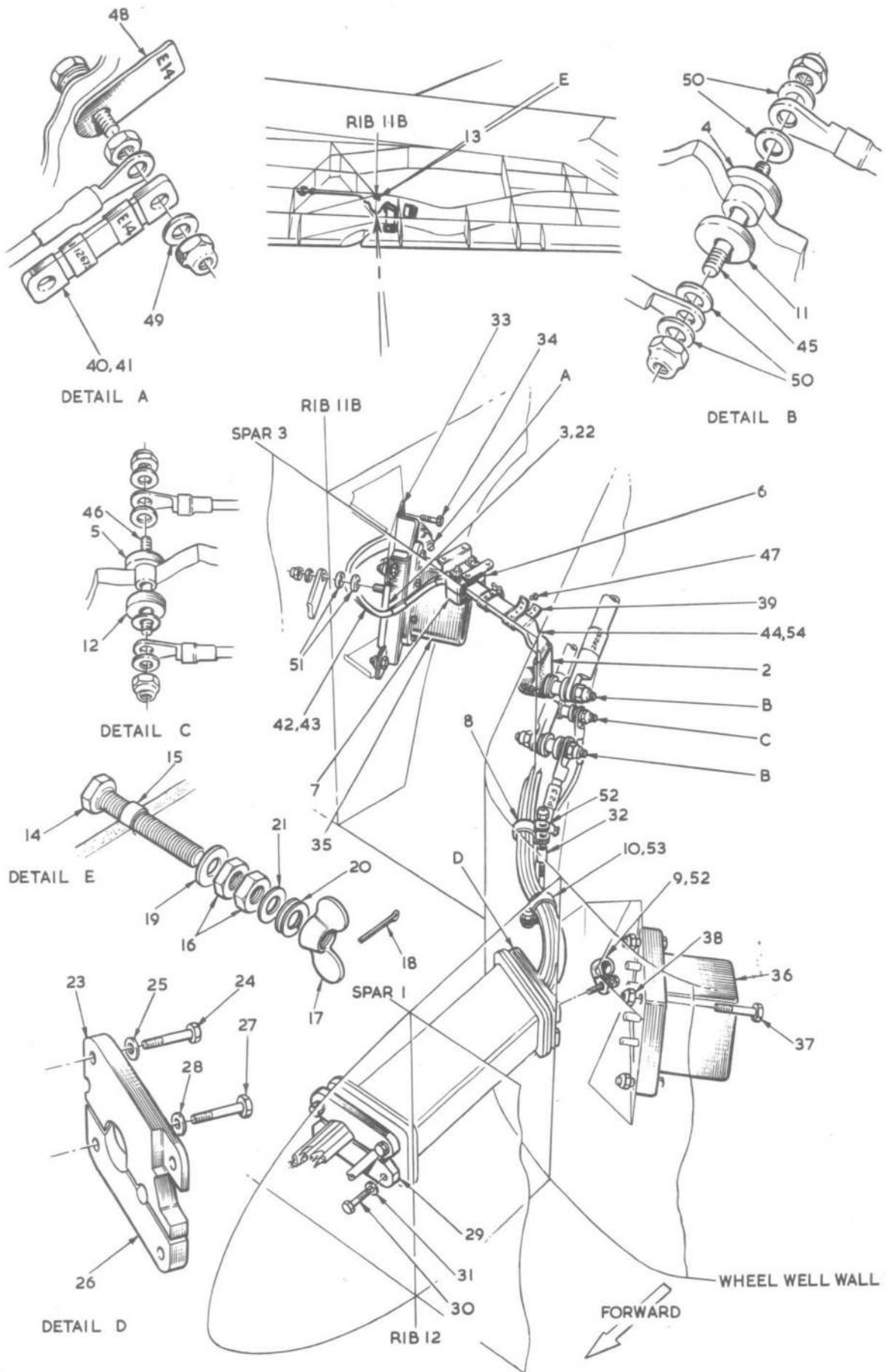
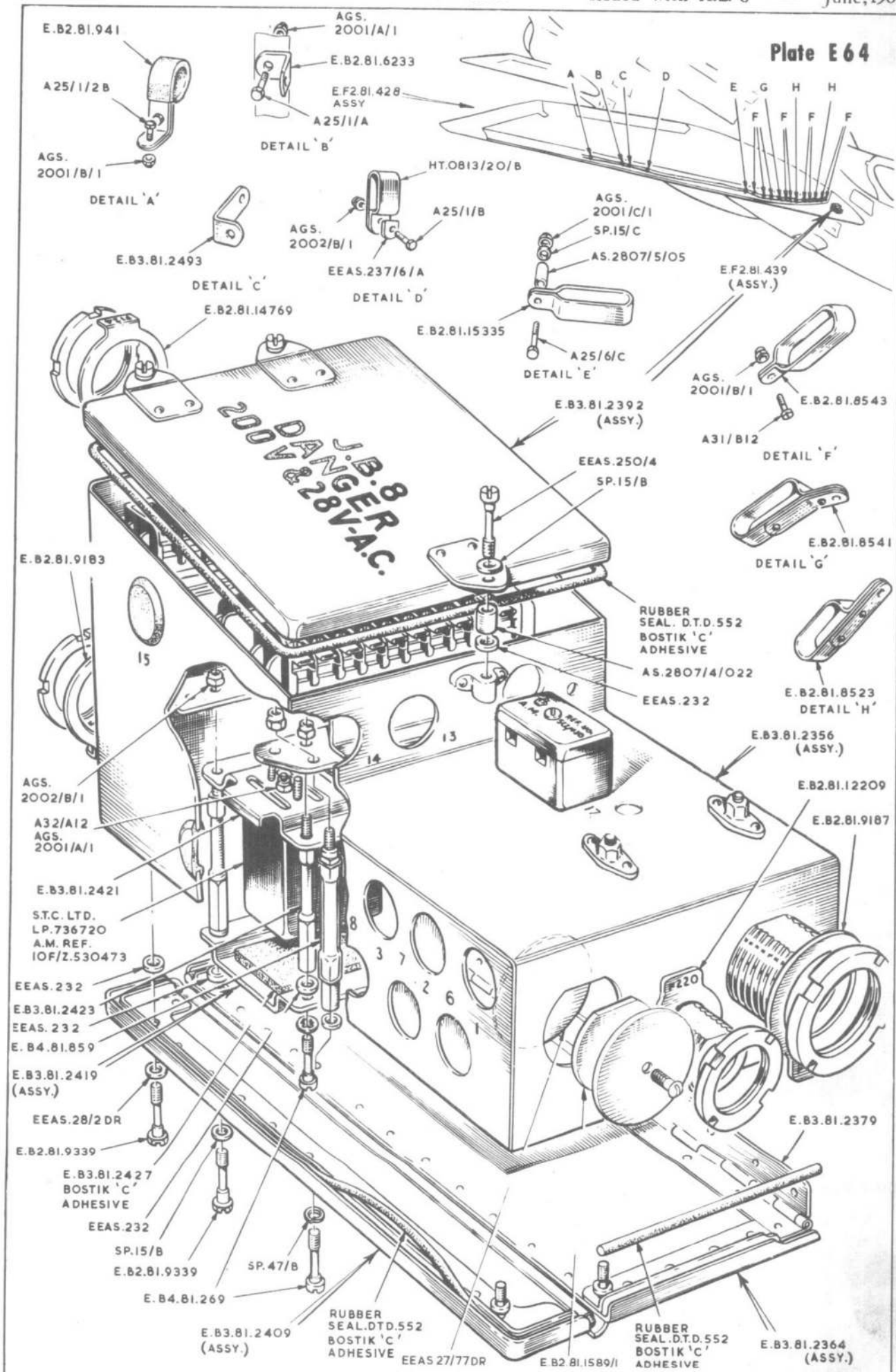


FIG.63. ELECTRICAL EQUIPMENT IN PORT WING  
Restricted

Plate E 64



LIGHTNING F.M.K. 2 ELECTRICAL EQUIPMENT IN FRONT FUSELAGE

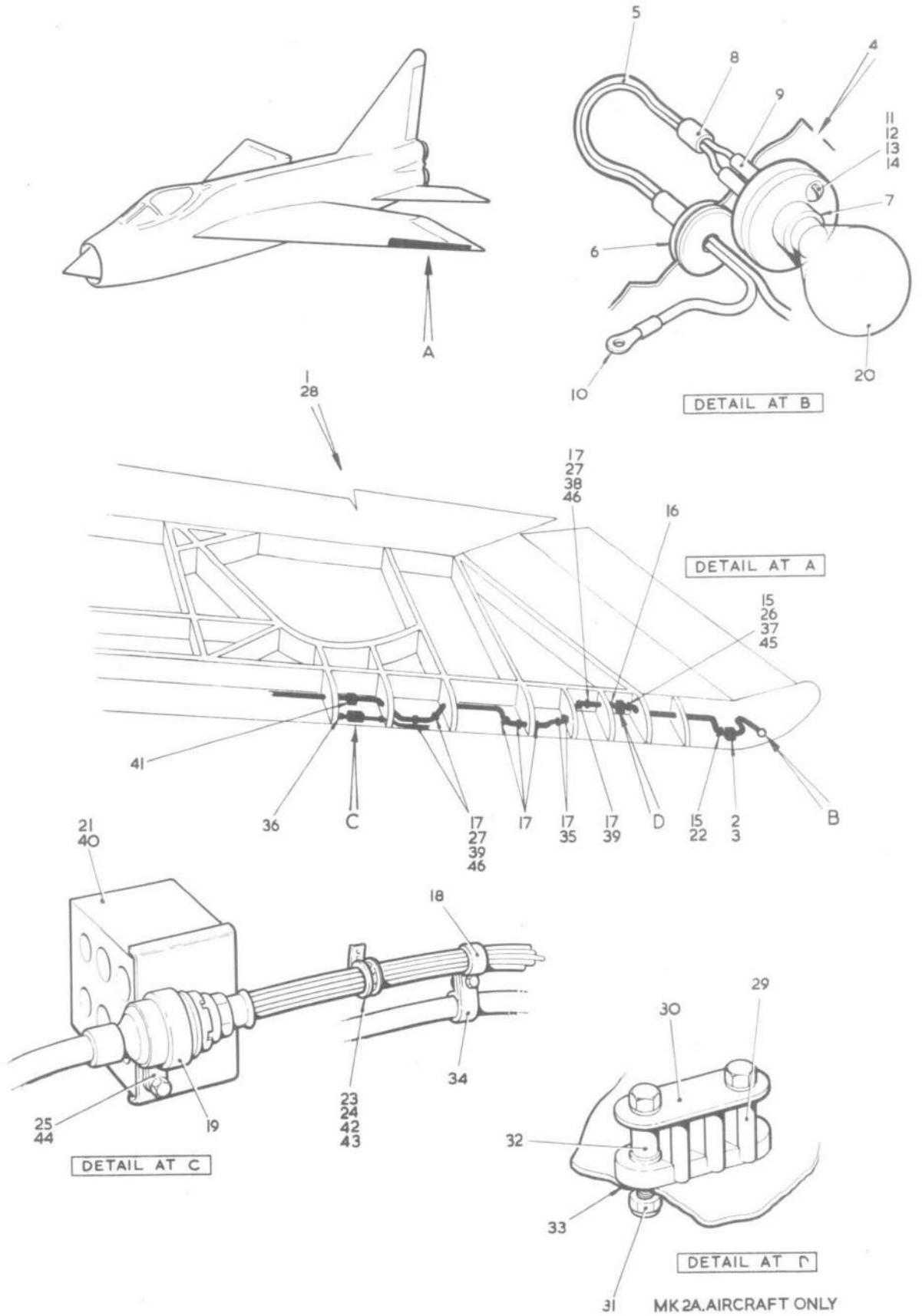
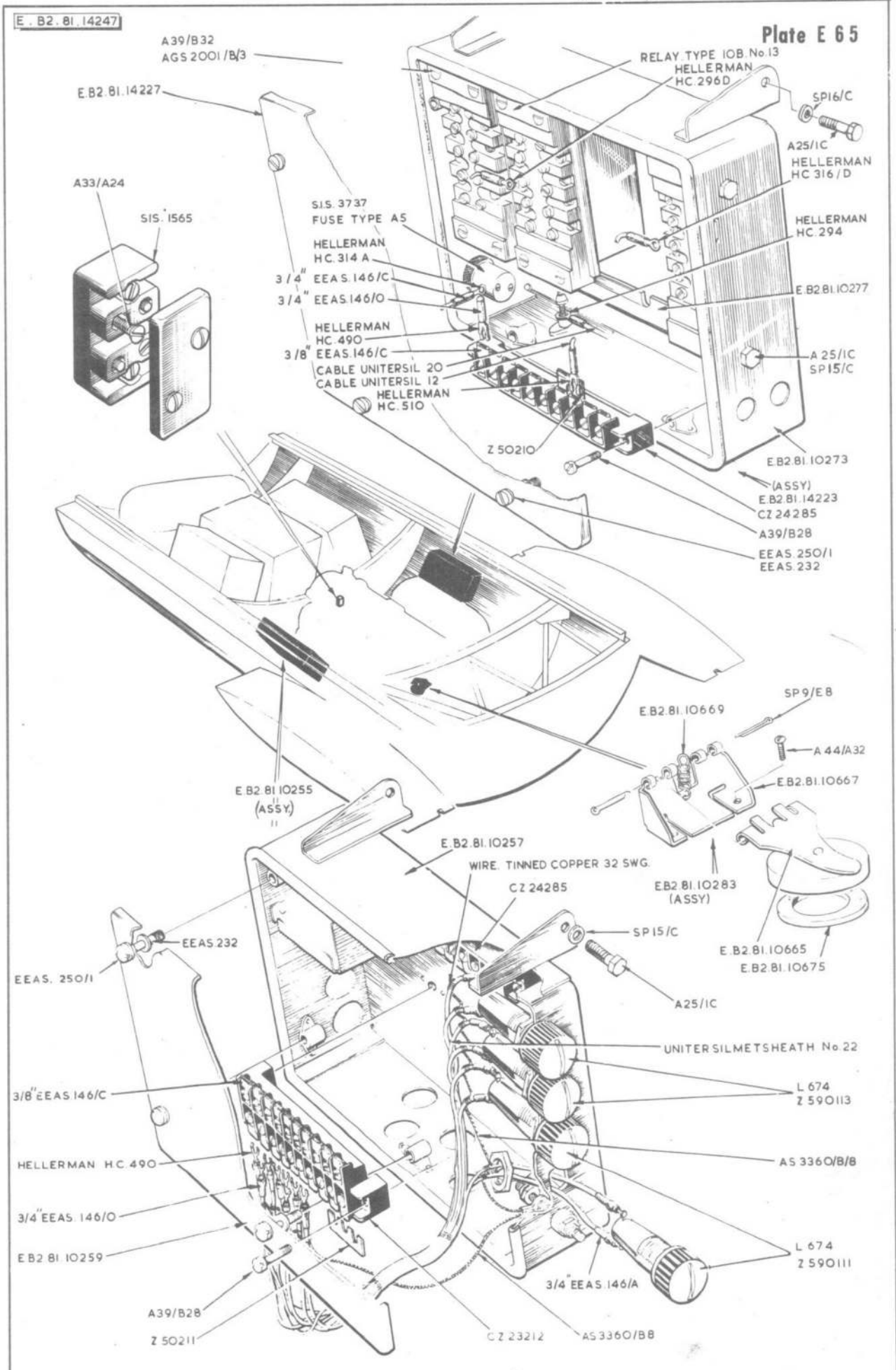


FIG. 64 ELECTRICAL, ELECTRICAL EQUIPMENT, PORT WING  
Restricted



LIGHTNING F.MK.2

**ELECTRICAL EQUIPMENT IN FIRESTREAK PACK**

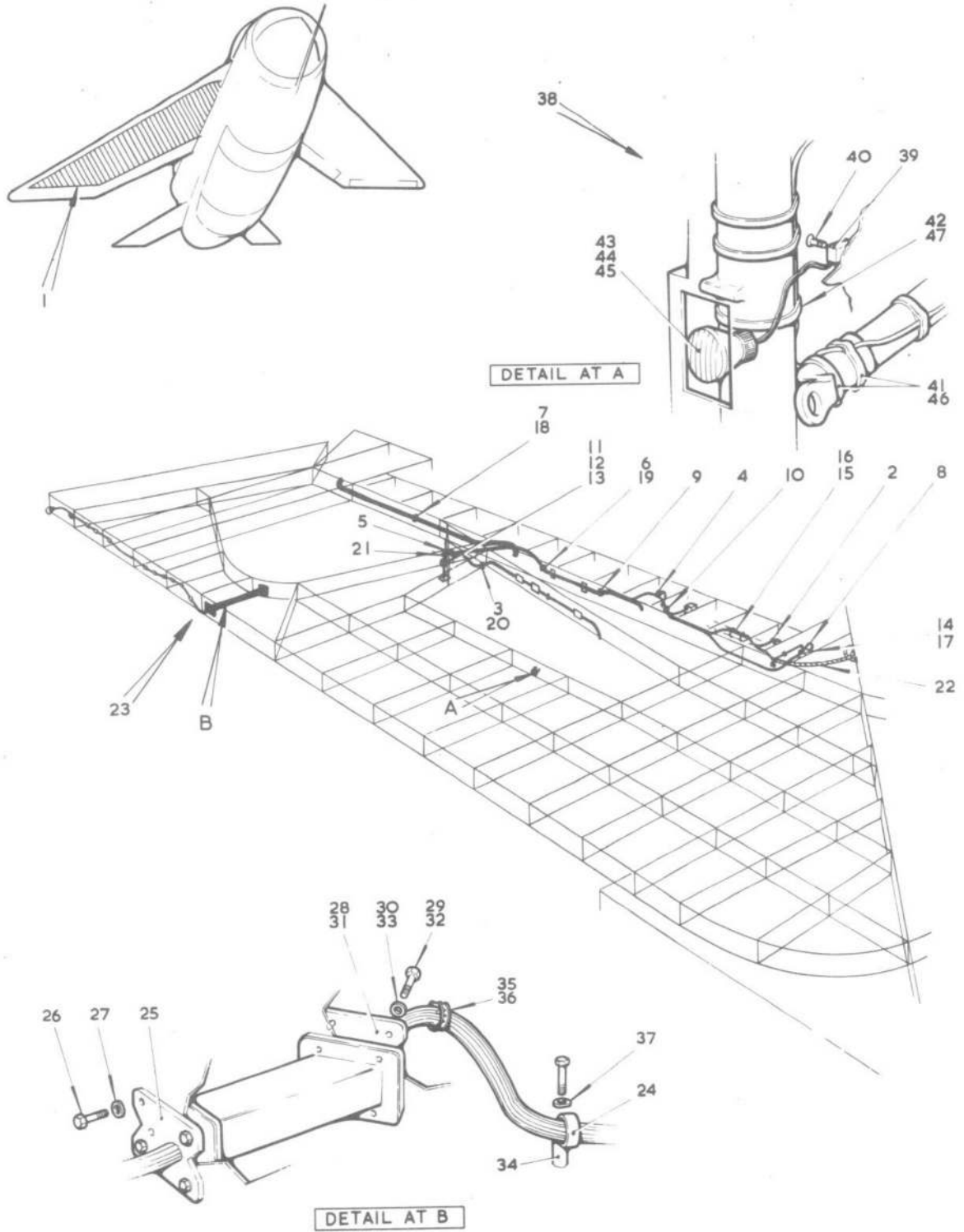


FIG. 65 ELECTRICAL EQUIPMENT IN STARBOARD WING  
Restricted

'P' CLIP	'D' WASHER	'P' CLIP	'D' WASHER
A 48	57	G 69	75
B 49	57	H 70	75
C 50	56, 58	J 70	73, 75
D 50	58	K 65	72
E 51		L 66	
F 68	74	M 67	

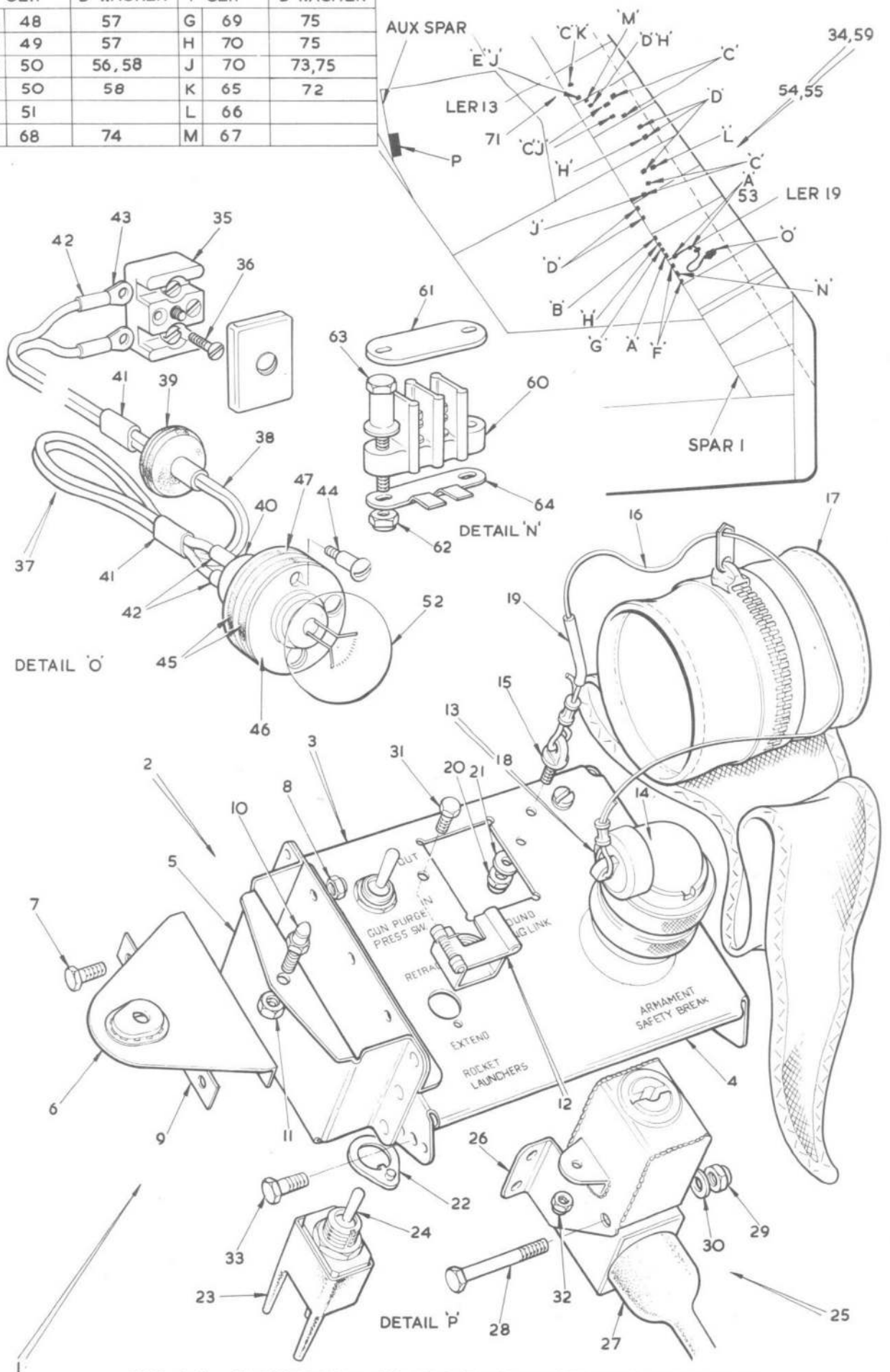


FIG.66. ELECTRICAL EQUIPMENT IN STARBOARD WING

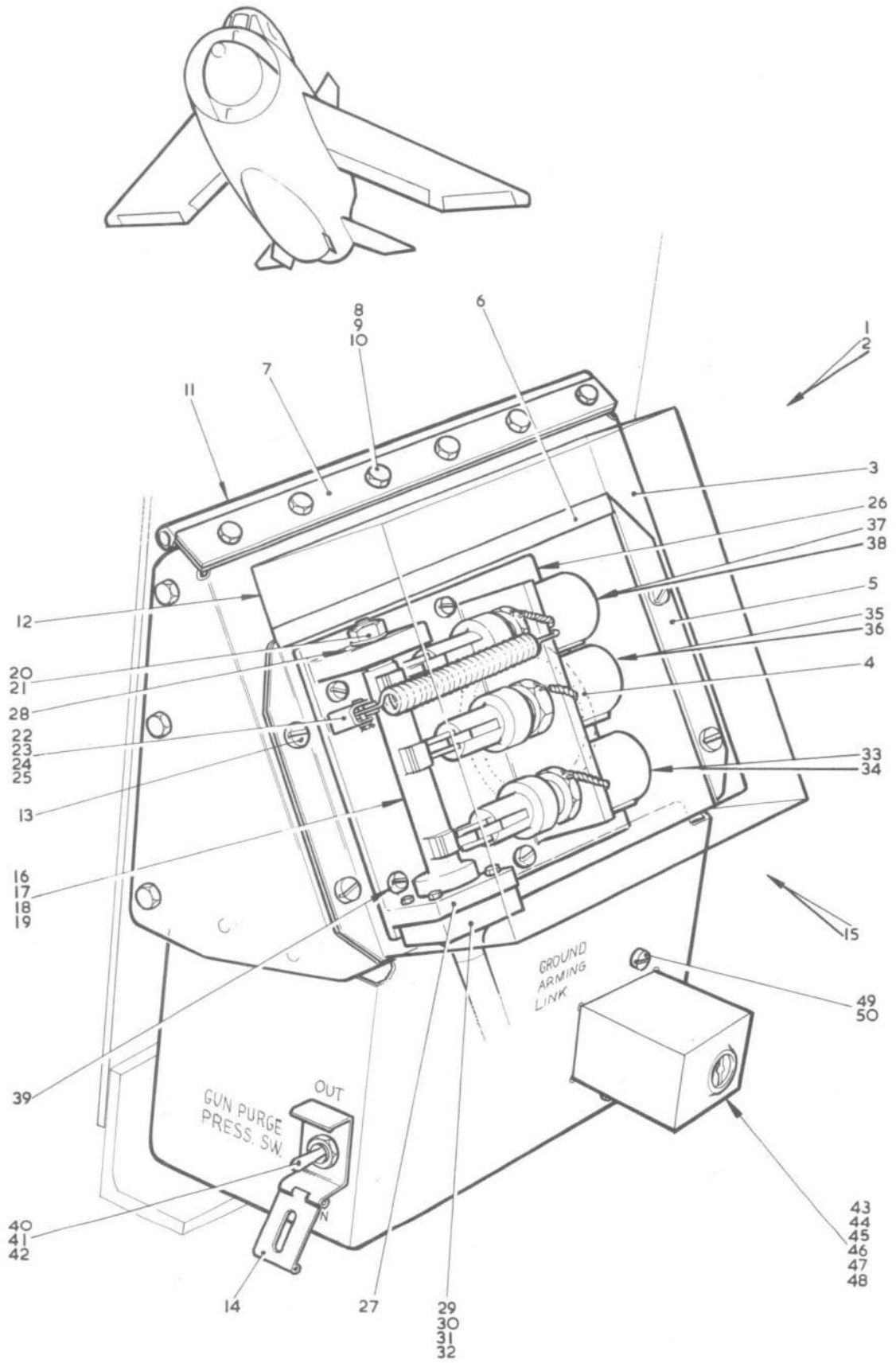
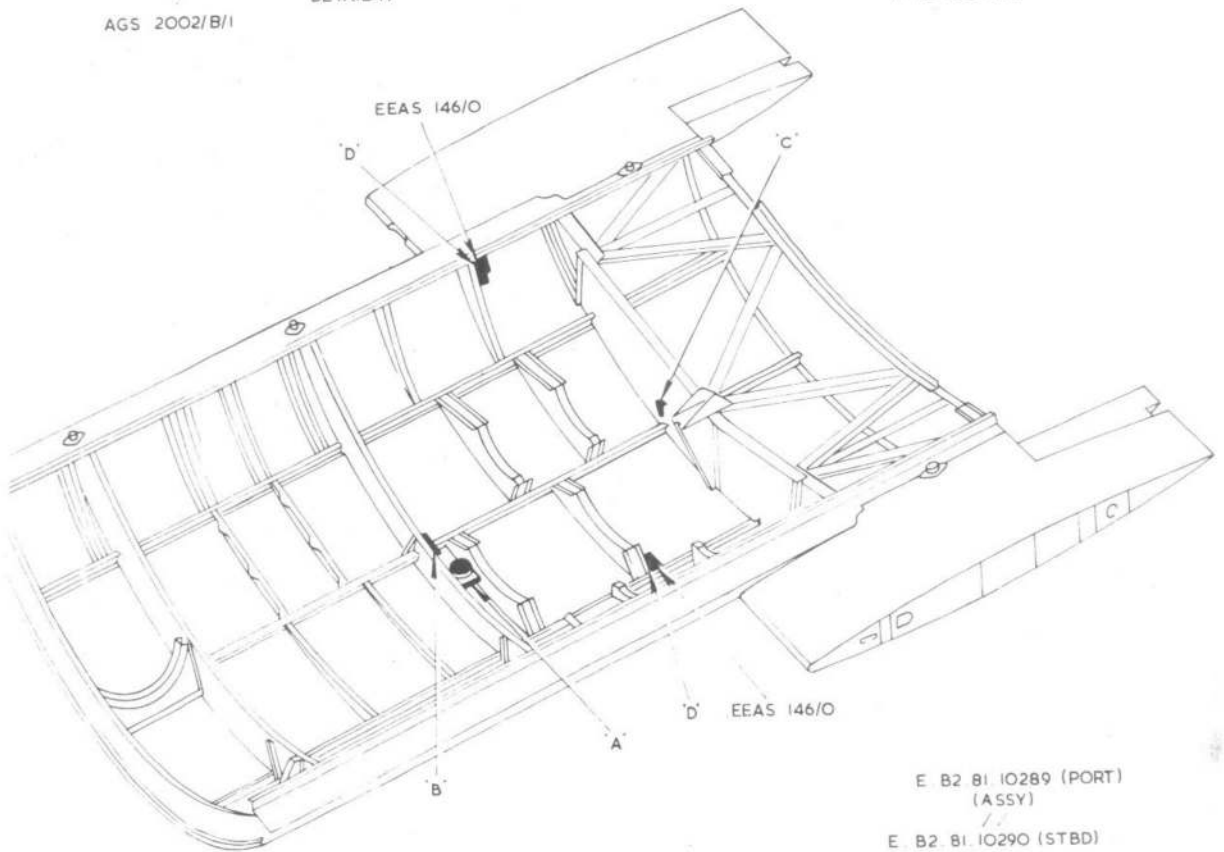
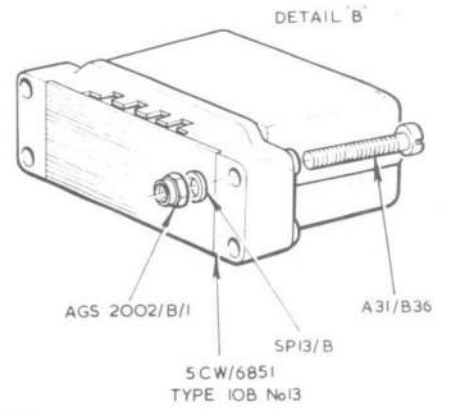
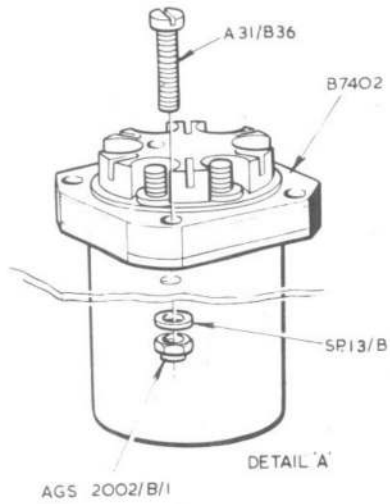


FIG.66A ELECTRICAL, ELECTRICAL EQUIPMENT IN STARBOARD WING

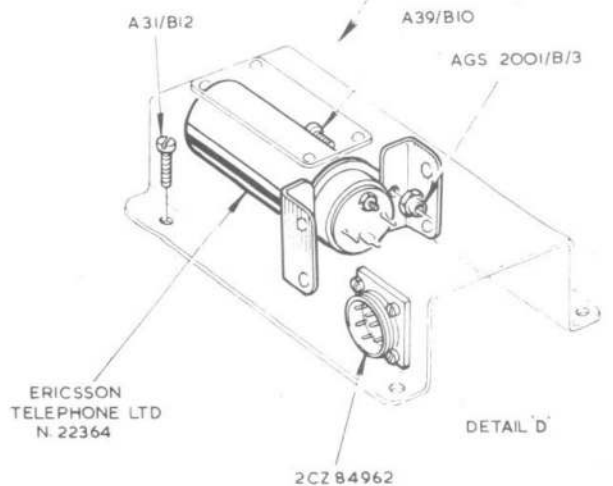
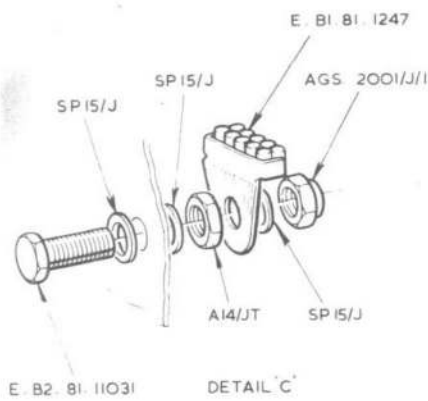
FMK2/2A SECT.E

E. B2. 81. 14247



E. B2. 81. 10289 (PORT) (ASSY)

E. B2. 81. 10290 (STBD) (ASSY)



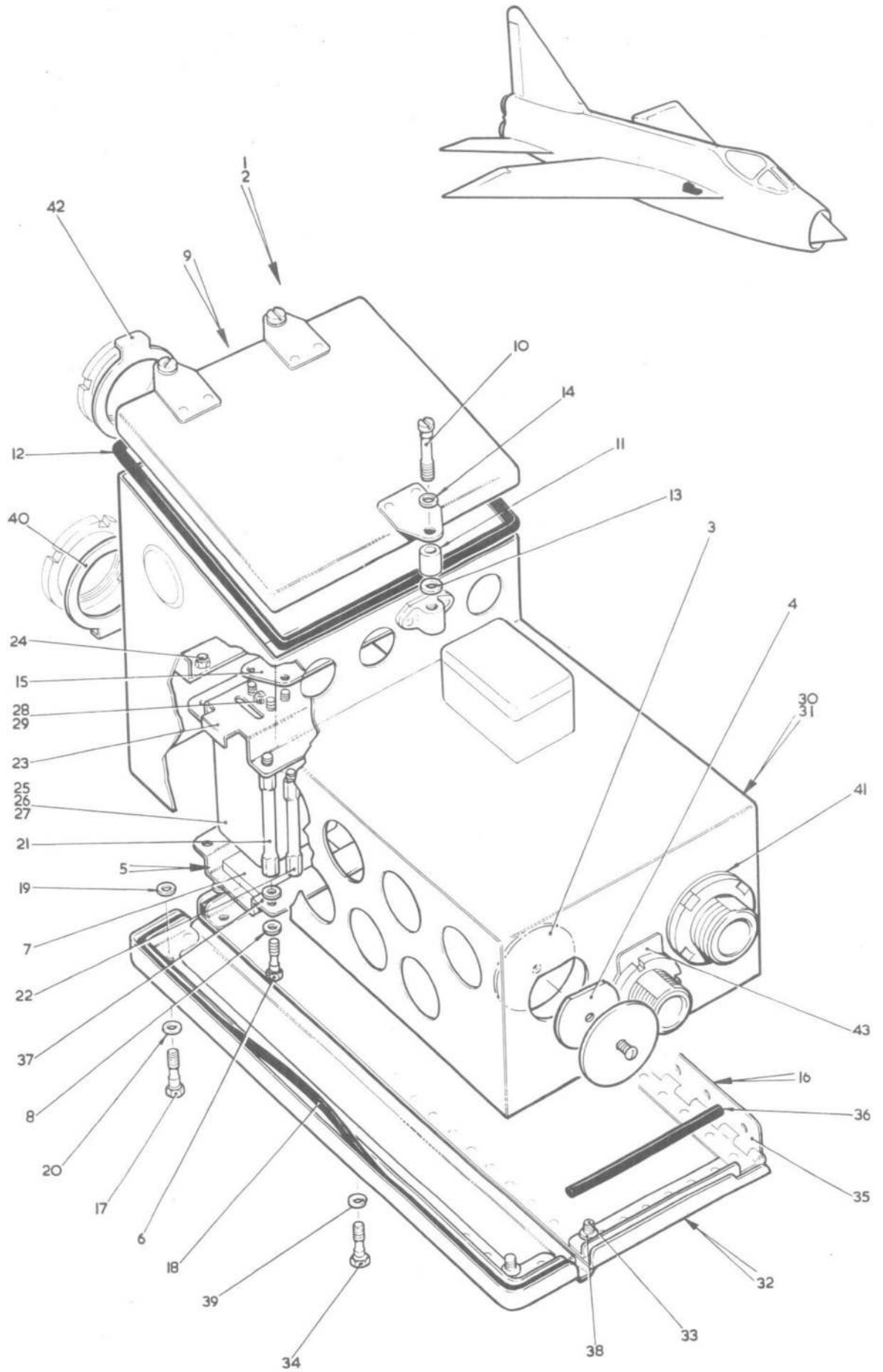


FIG. 67 ELECTRICAL , ELECTRICAL EQUIPMENT, STARBOARD WING

Restricted

F.M.K. 2/2A SECT.E

Restricted

A.L.47

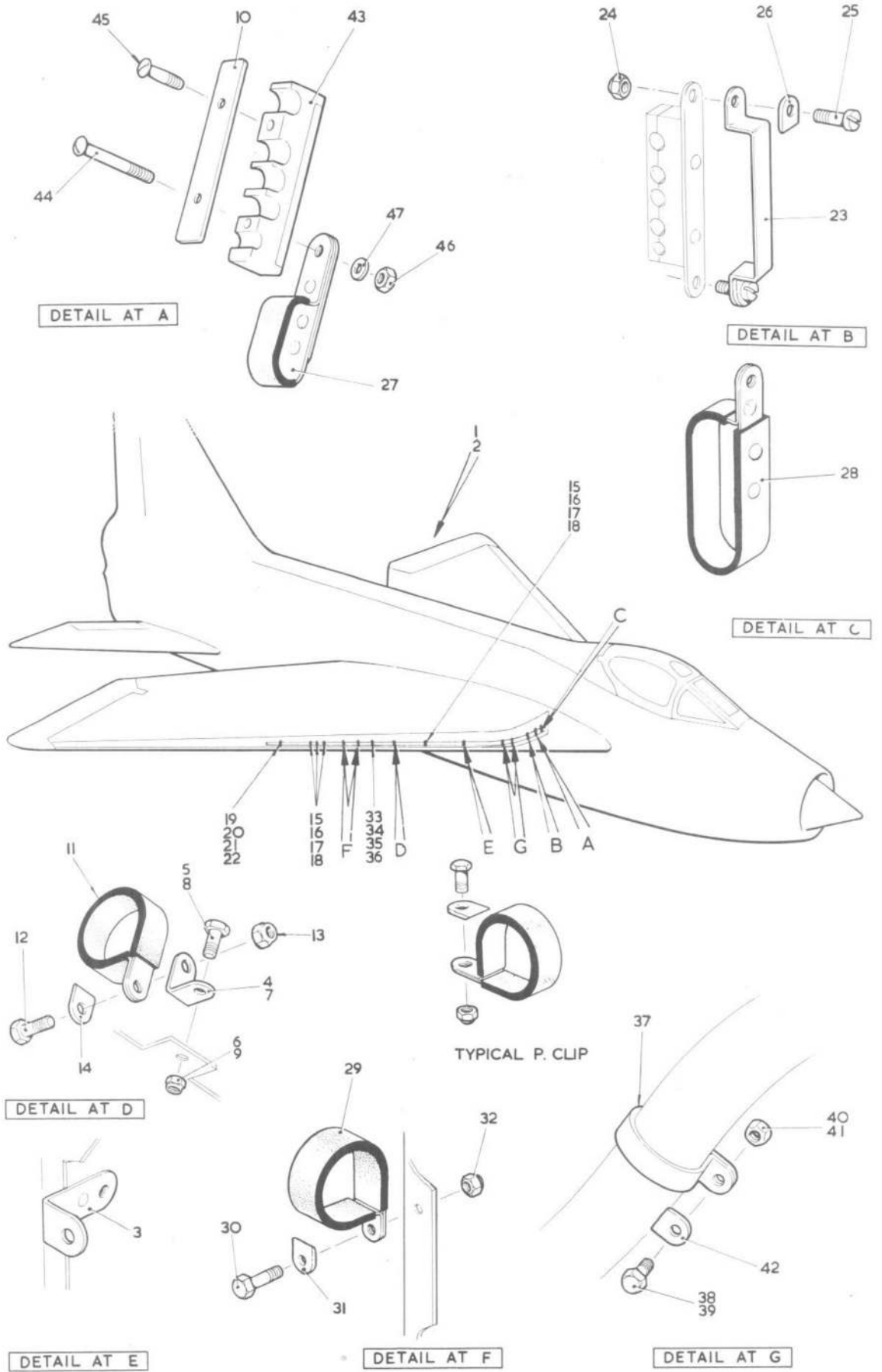


FIG. 68 ELECTRICAL, ELECTRICAL EQUIPMENT STARBOARD WING

Restricted

F. MK. 2/2A SECT. E

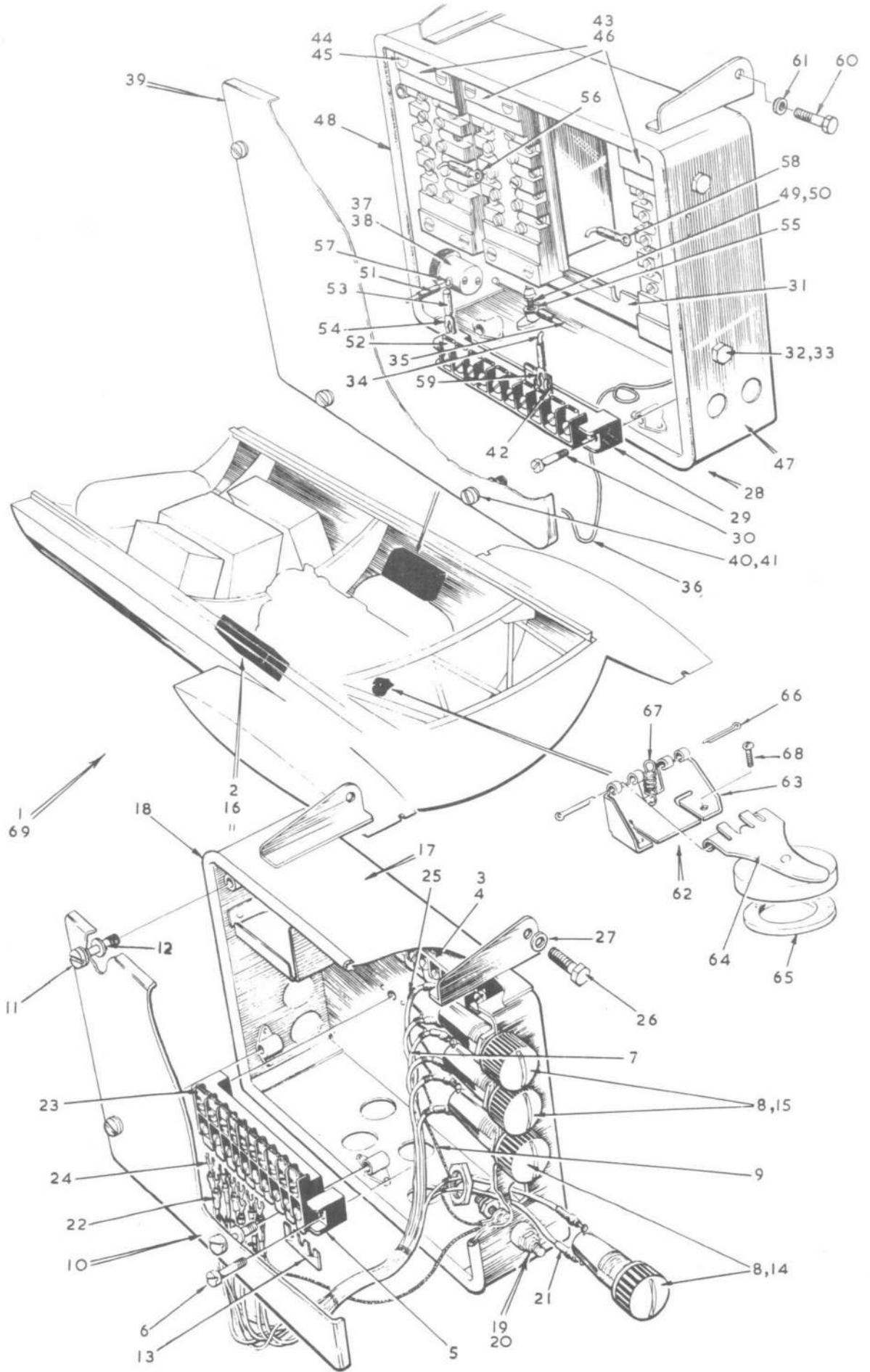


FIG.69. ELECTRICAL EQUIPMENT IN FIRESTREAK PACK

Restricted



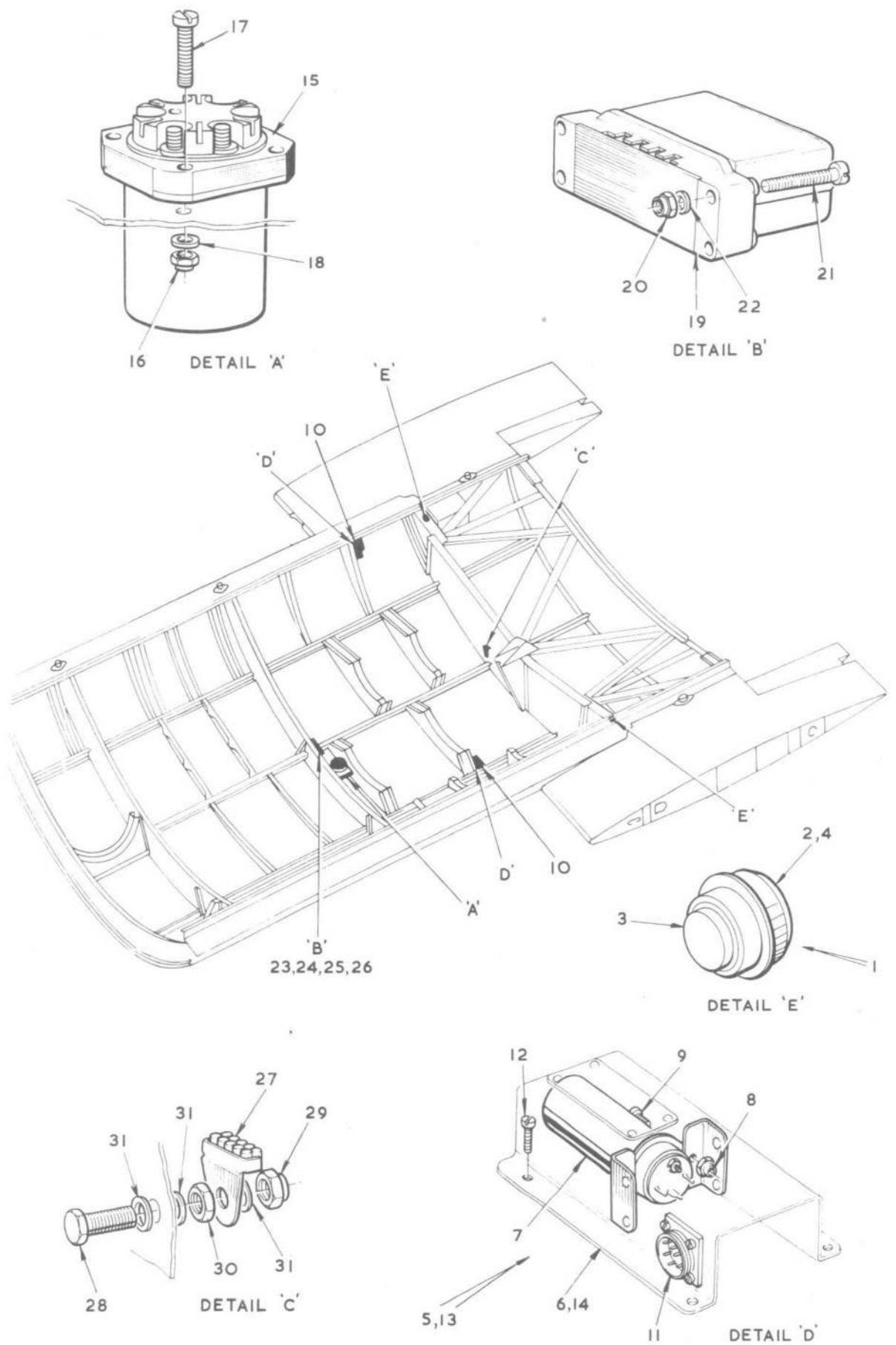


FIG.71. ELECTRICAL EQUIPMENT IN FIRESTREAK PACK

Restricted

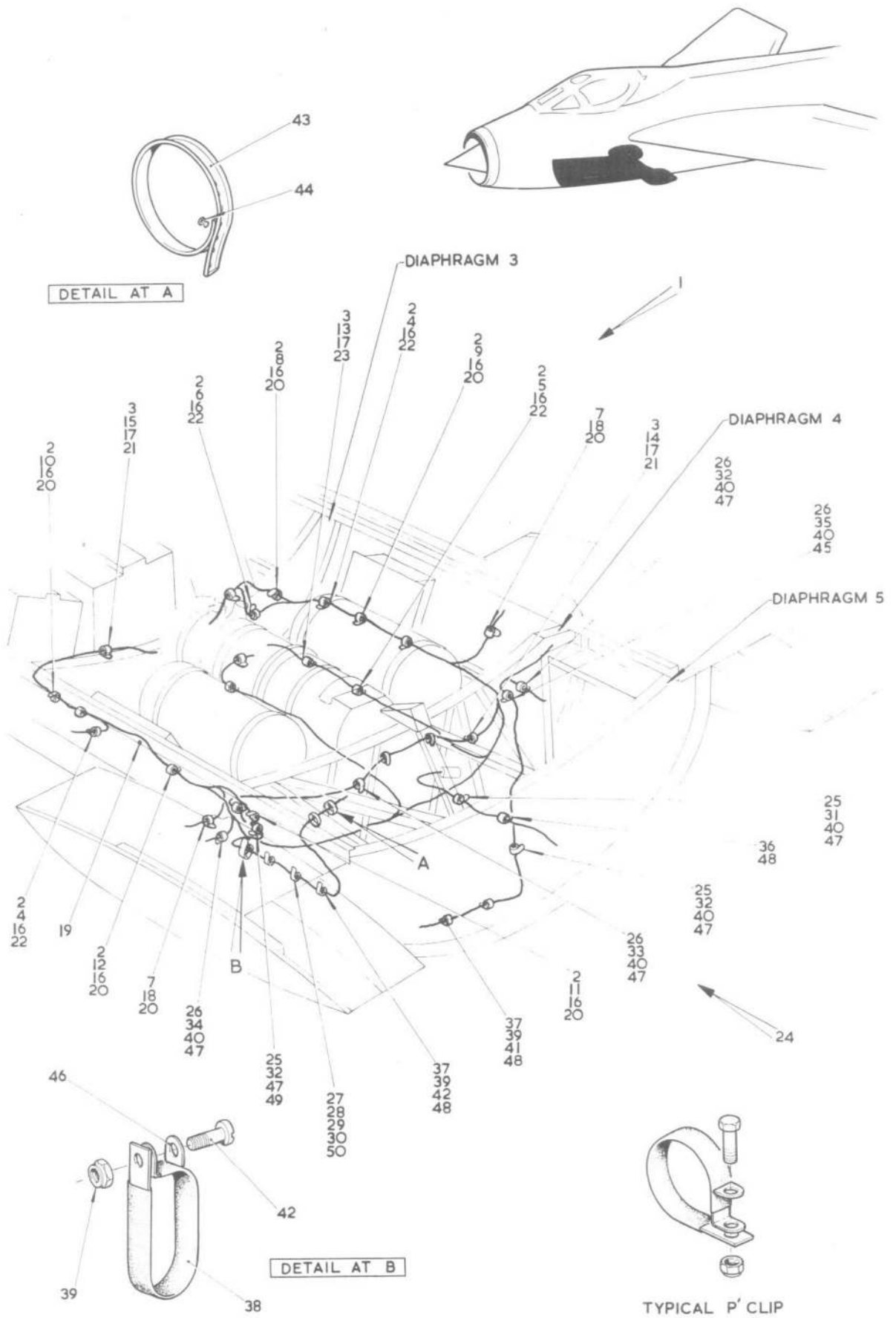


FIG. 72 ELECTRICAL, ELECTRICAL EQUIPMENT IN FIRESTREAK PACK

F. MK. 2 / 2A. SECT. E

Restricted

	'P' CLIP	BOLT	NUT	'D' WASHER
A	39	38	40	41
B	42	44	45	46
C	42	43	45	47
D	48	49	50	51
E	52	53	55	56
F	52	54	55	56
G	57	58	59	60
H	61	62	63	64
J	61			64

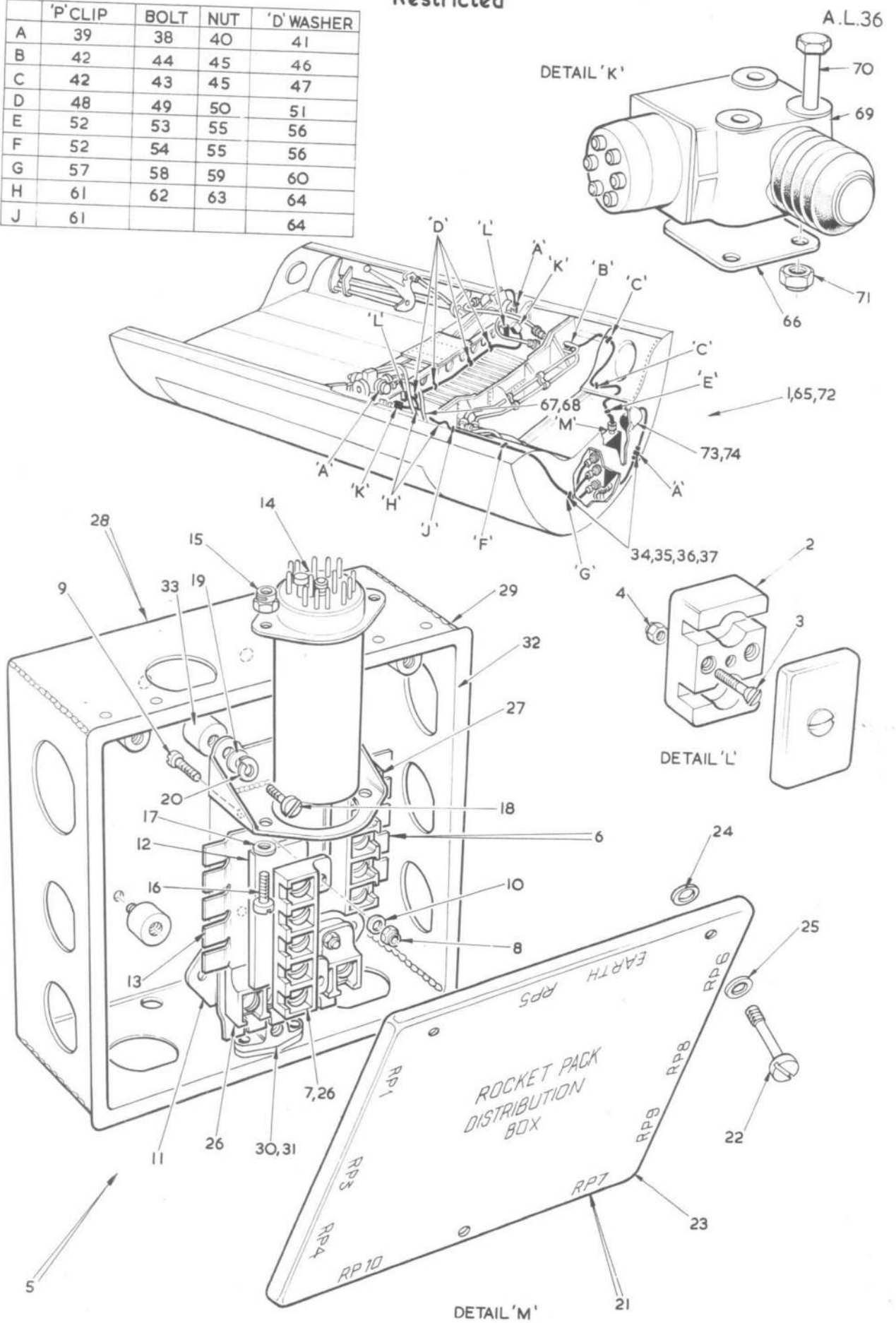


FIG.73. ELECTRICAL EQUIPMENT IN ROCKET PACK  
Restricted

This file was downloaded  
from the RTFM Library.

Link: [www.scottbouch.com/rtfm](http://www.scottbouch.com/rtfm)

Please see site for usage terms,  
and more aircraft documents.

