

FIG.I. GROUND EQUIPMENT
Restricted

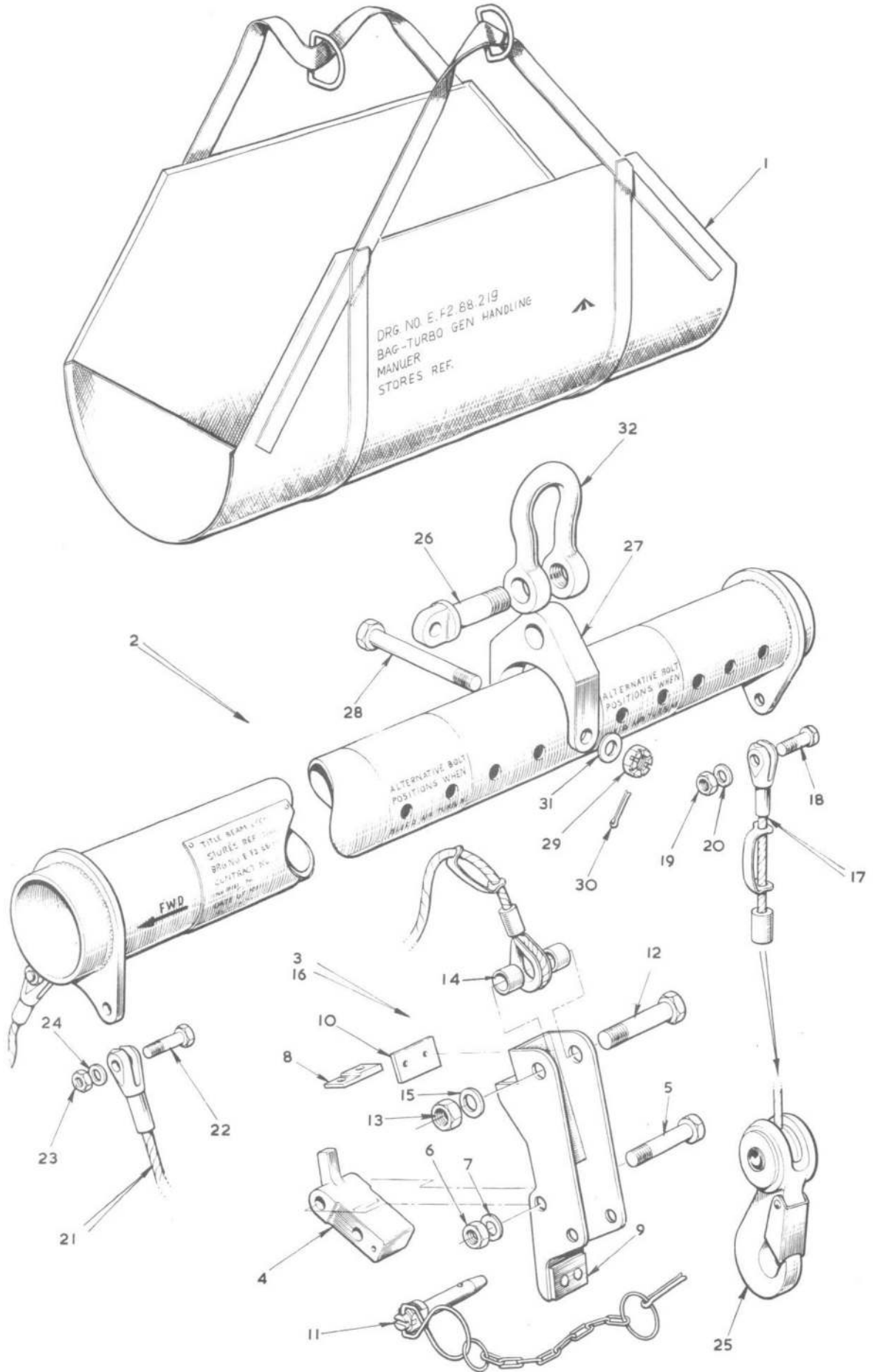


FIG. 2. GROUND EQUIPMENT
Restricted

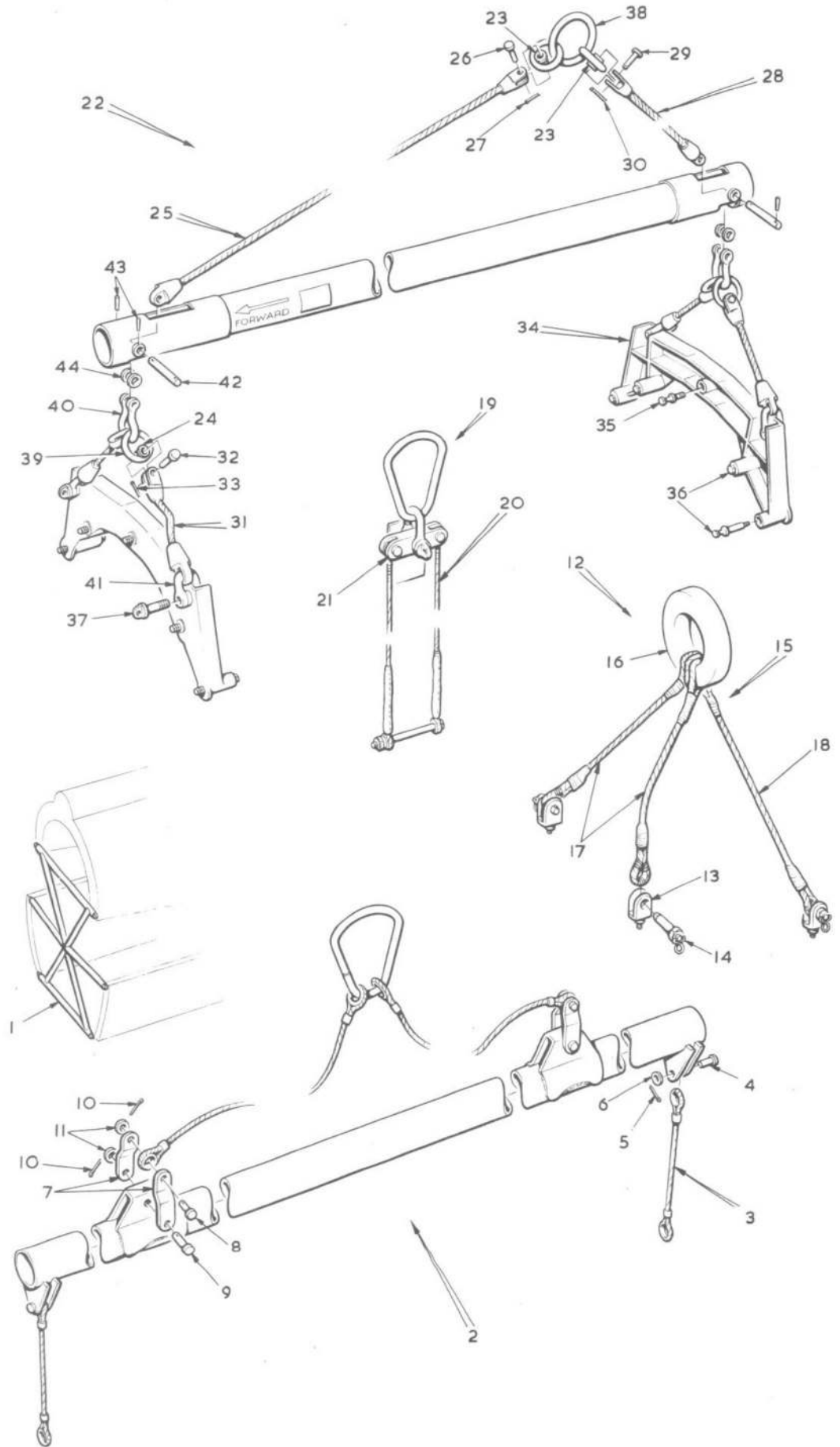


FIG. 3. GROUND EQUIPMENT
Restricted

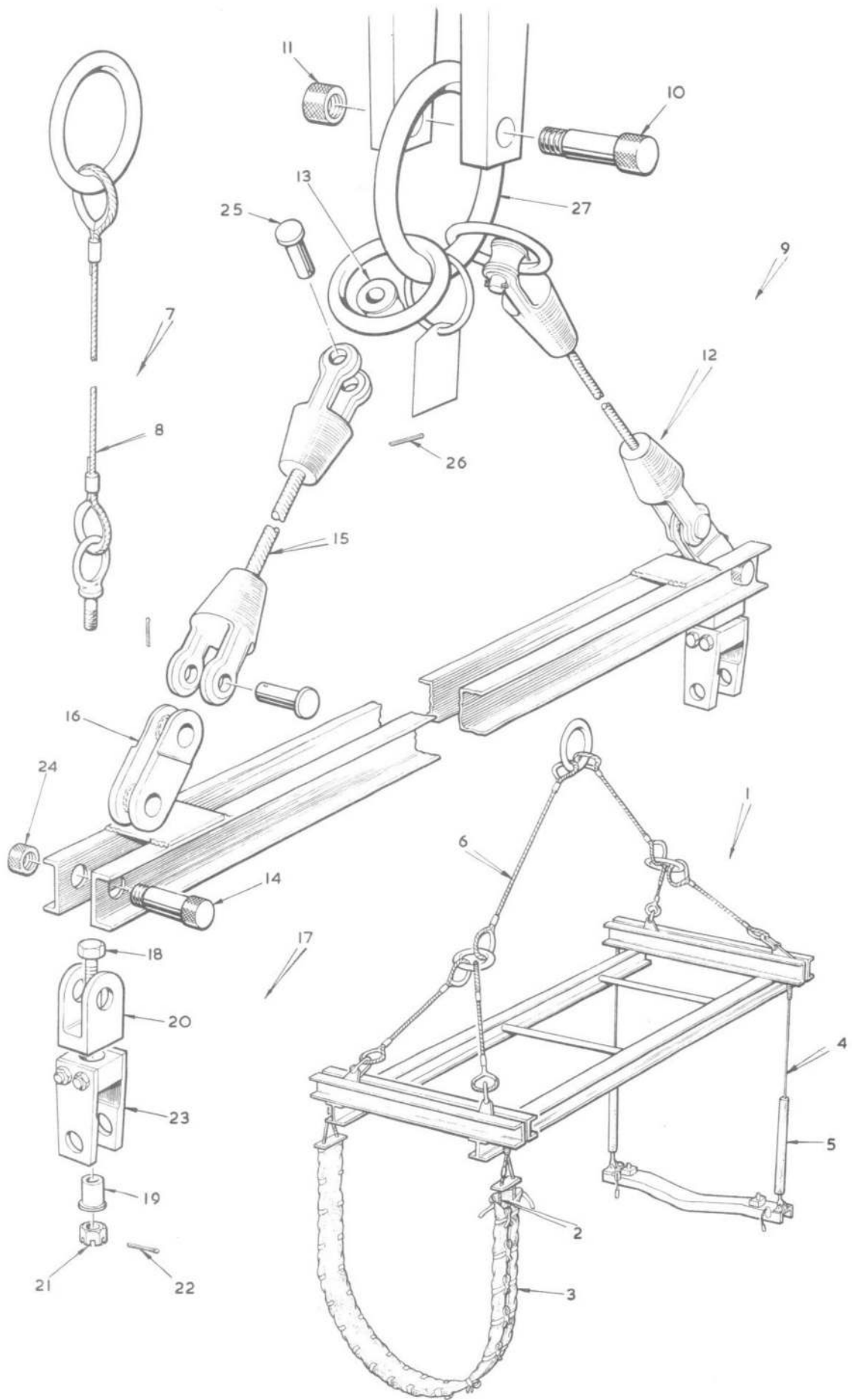


FIG.4. GROUND EQUIPMENT
Restricted

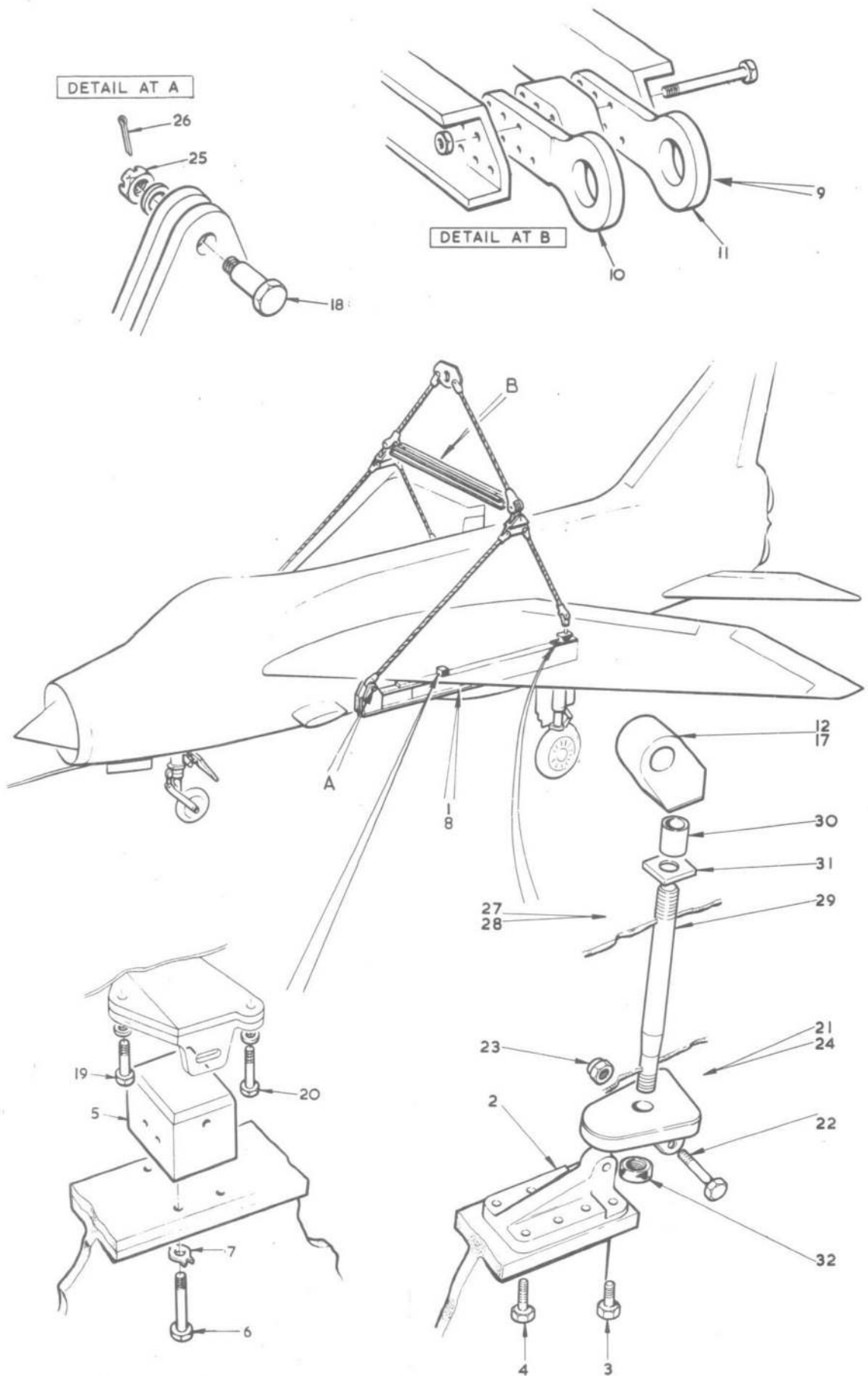


FIG. 6 EQUIPMENT ANCILLARY-GROUND EQUIPMENT
Restricted

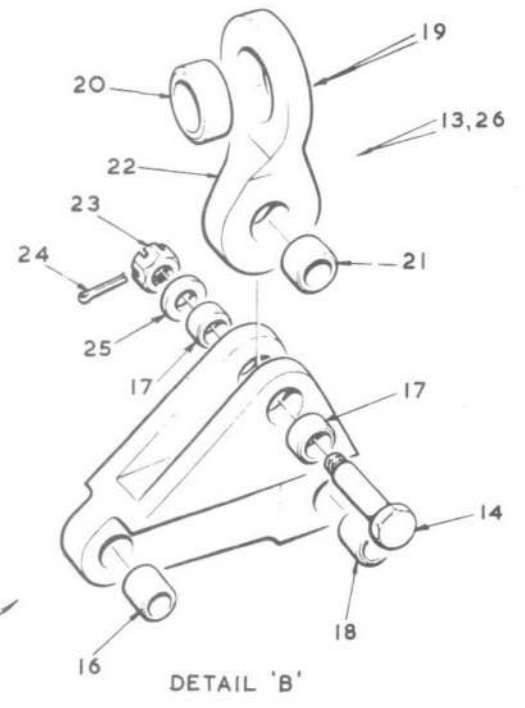
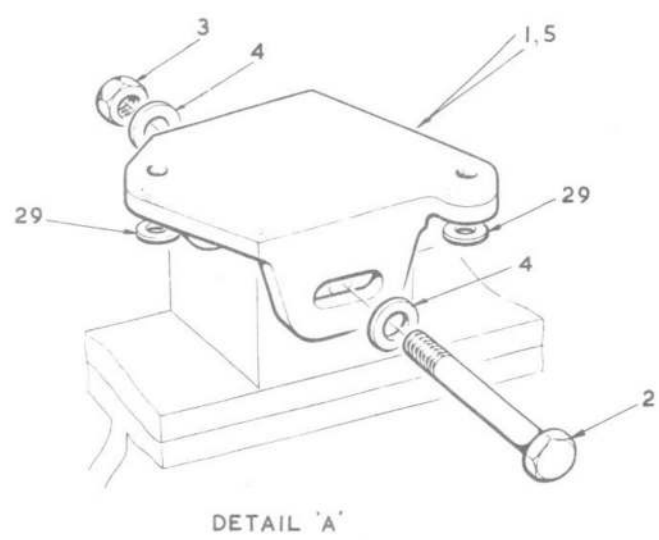
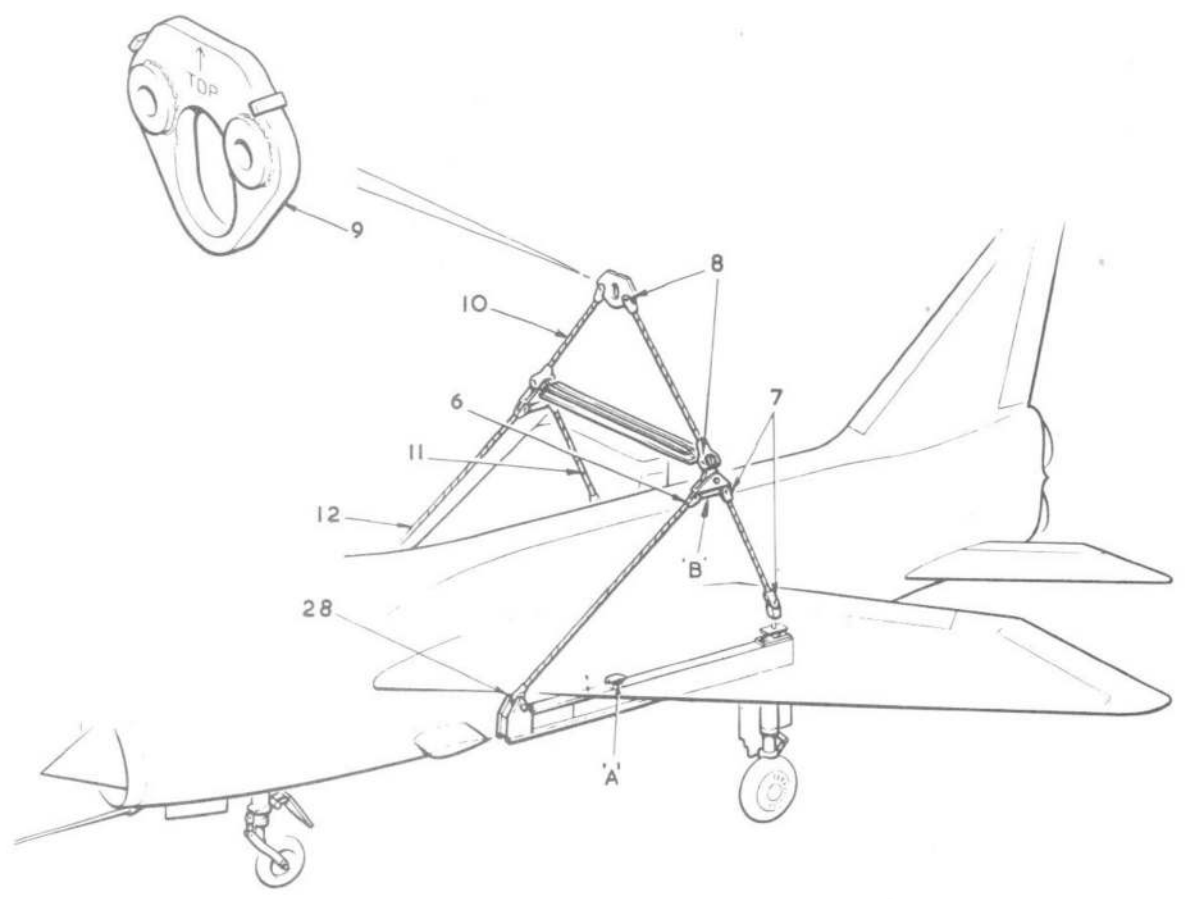


FIG. 7. GROUND EQUIPMENT
Restricted

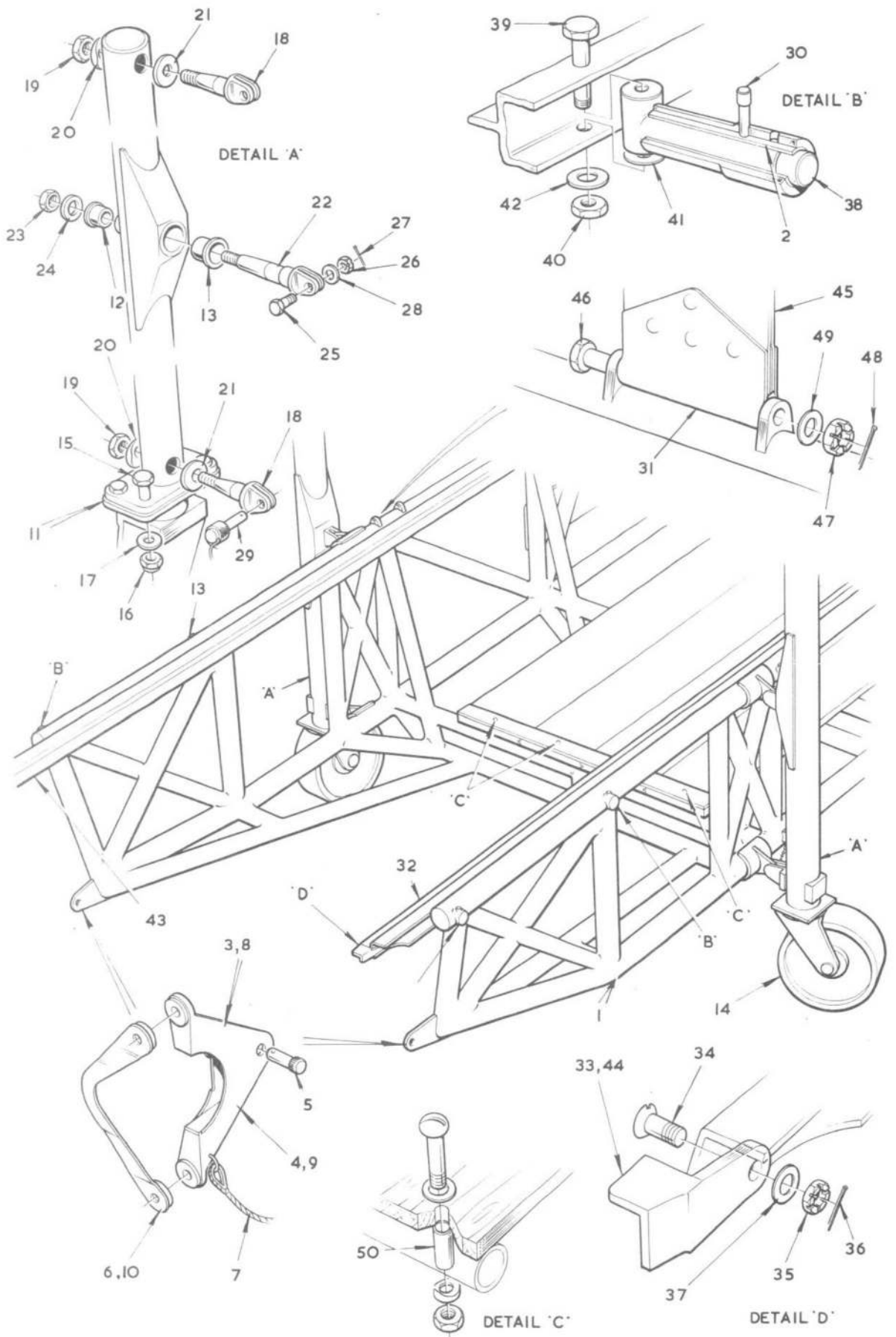


FIG. 9. GROUND EQUIPMENT
Restricted

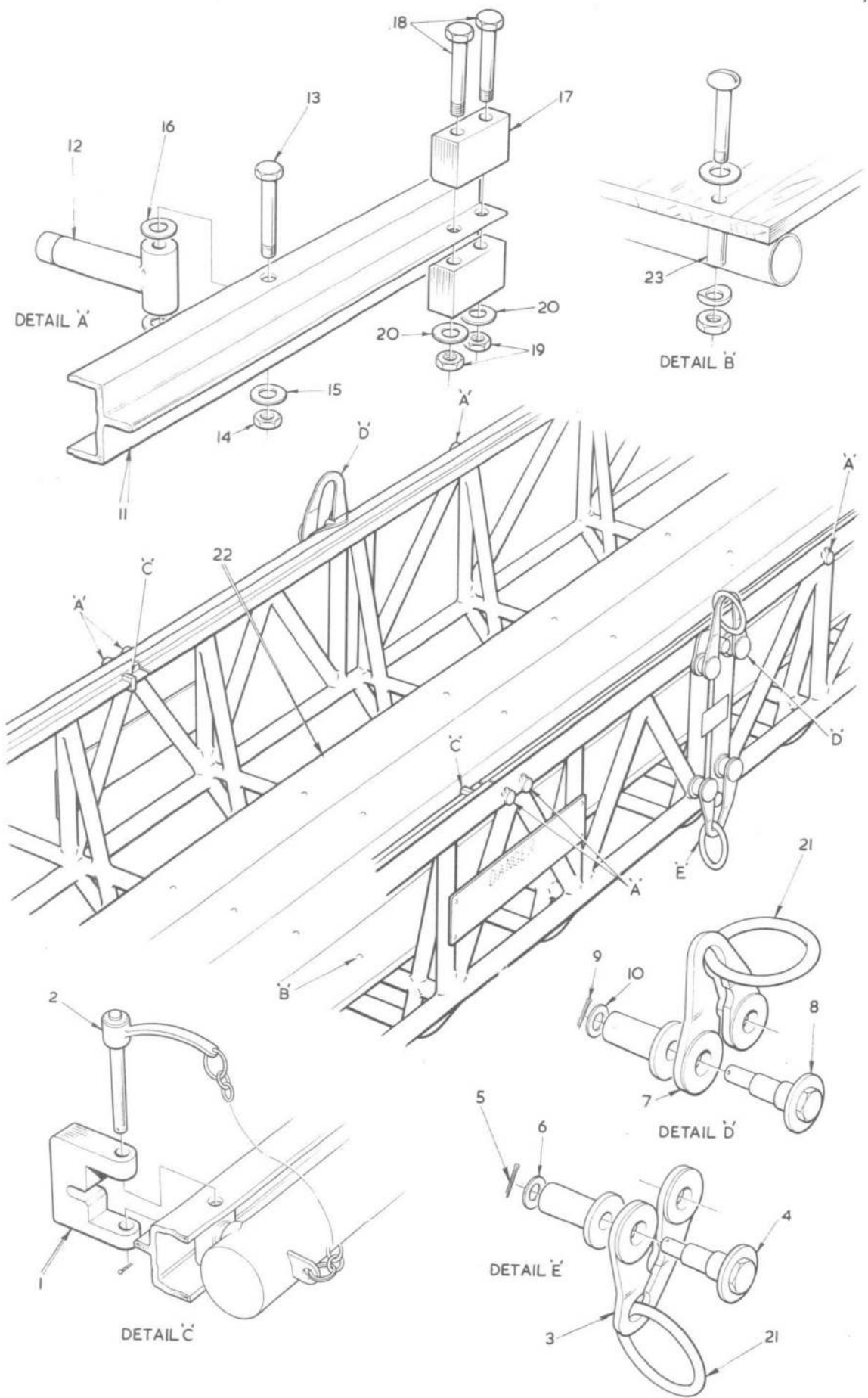


FIG.10. GROUND EQUIPMENT
Restricted

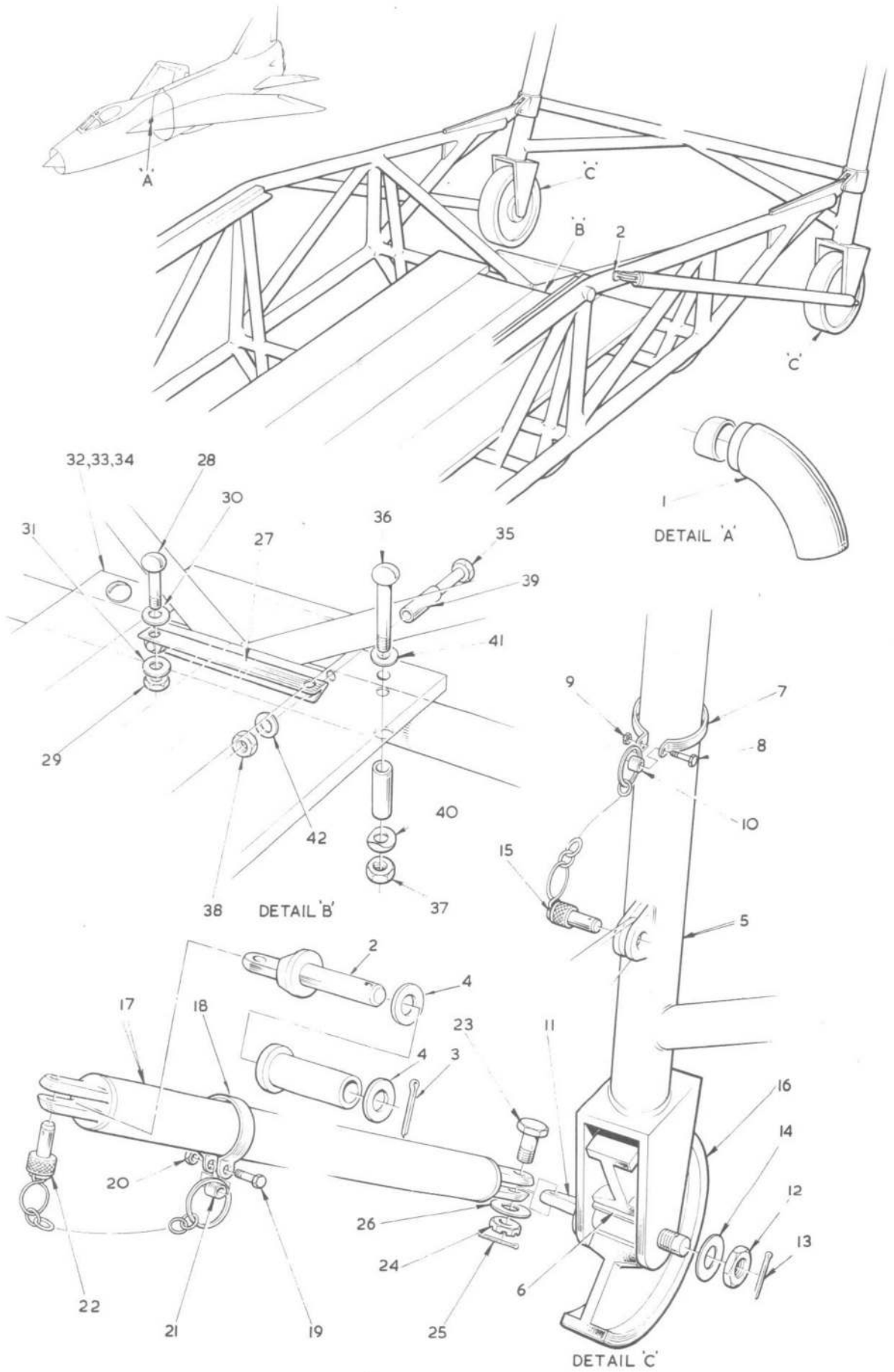


FIG.II. GROUND EQUIPMENT

Restricted

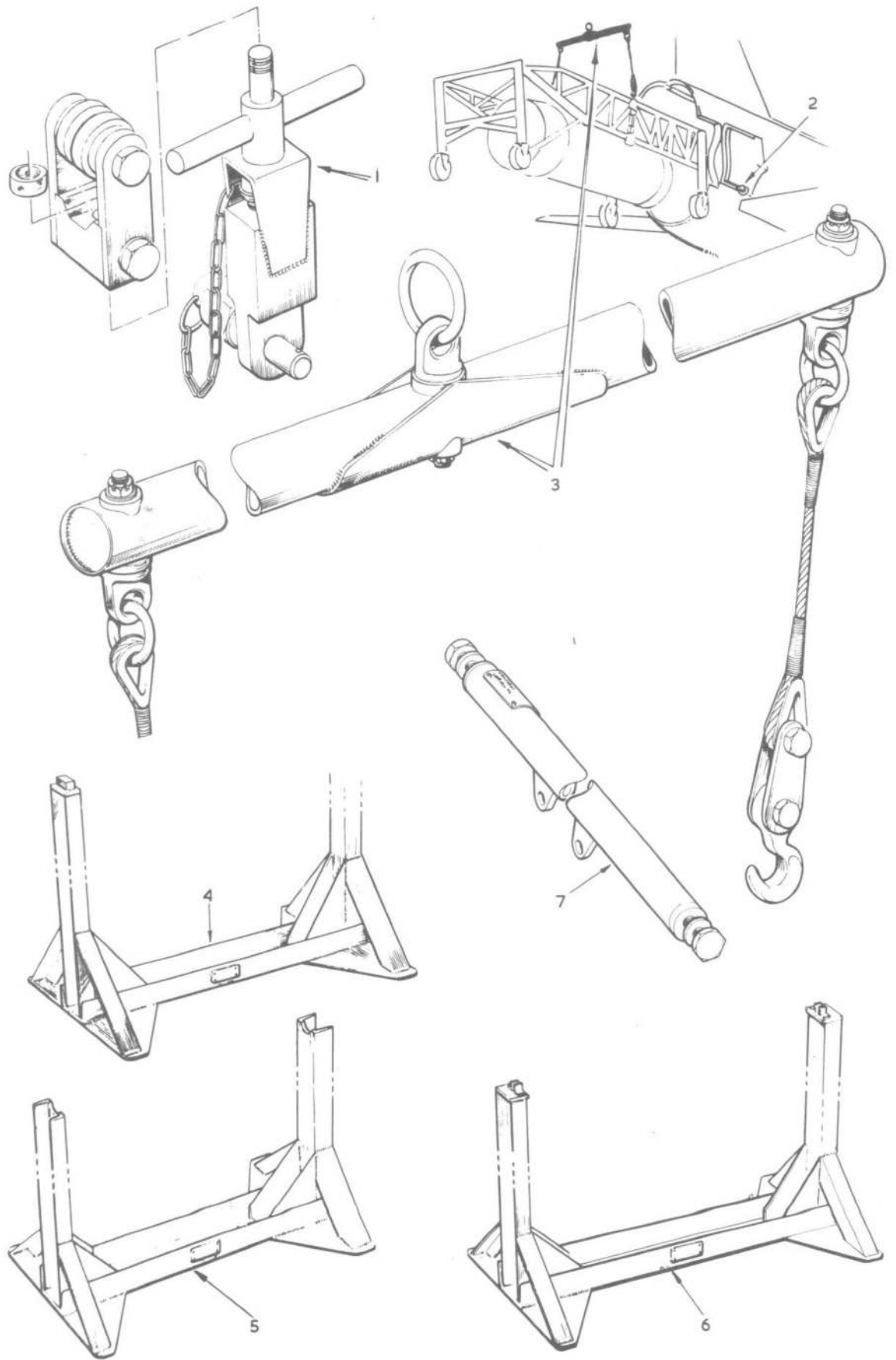


FIG. 12. GROUND EQUIPMENT
Restricted

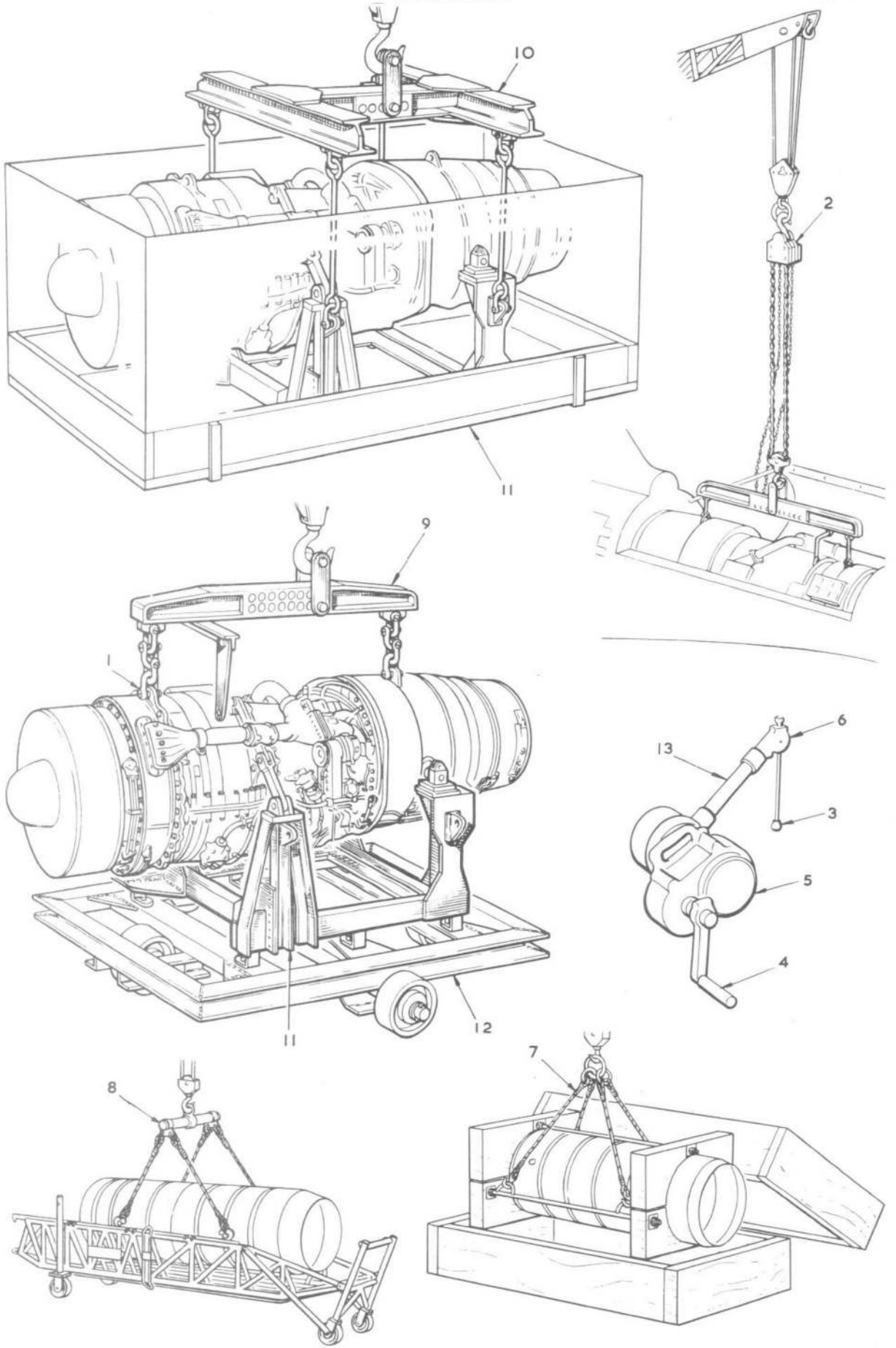


FIG.13. GROUND EQUIPMENT
Restricted

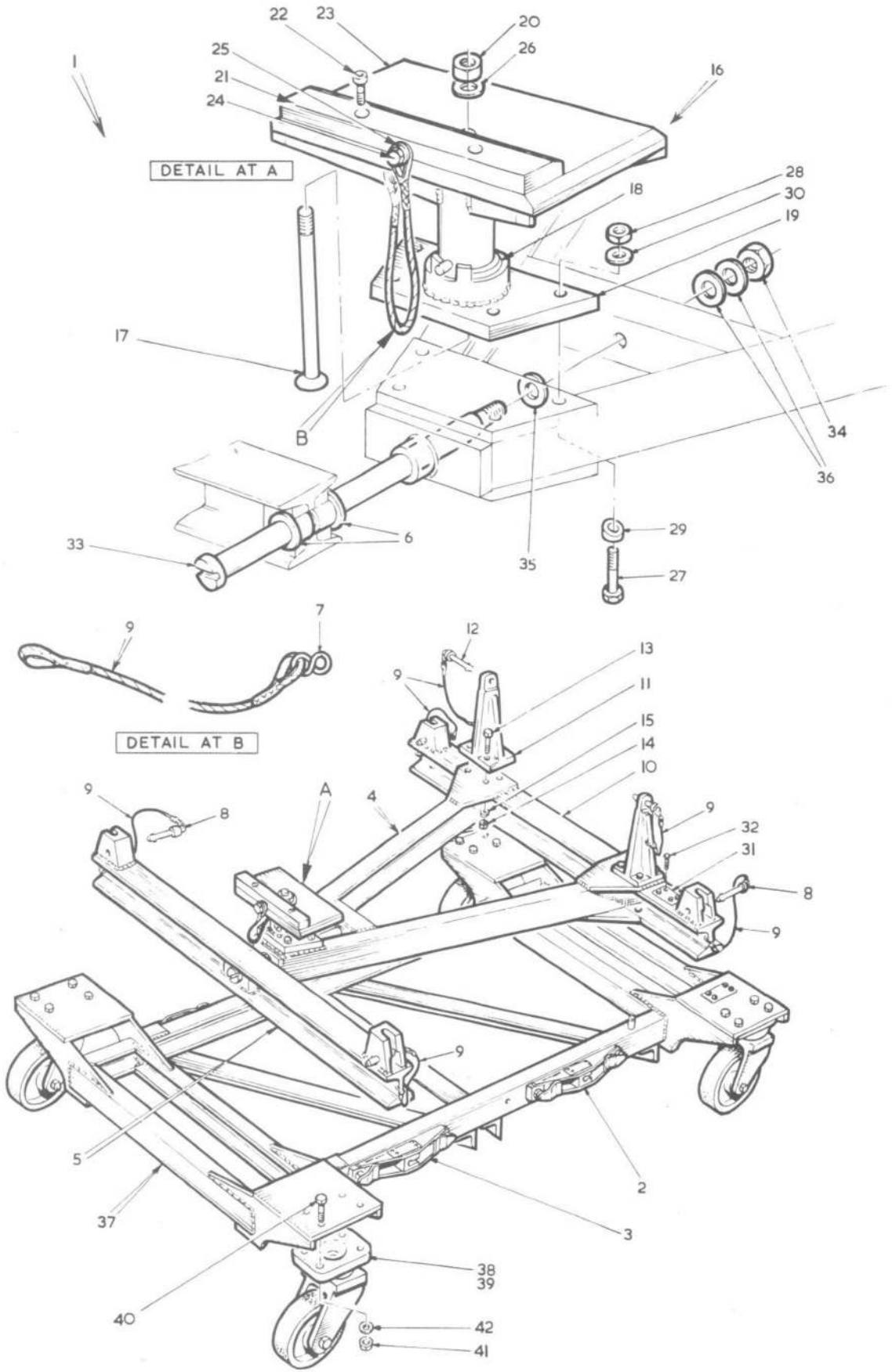


FIG. 14. EQUIPMENT ANCILLARY-GROUND EQUIPMENT
Restricted

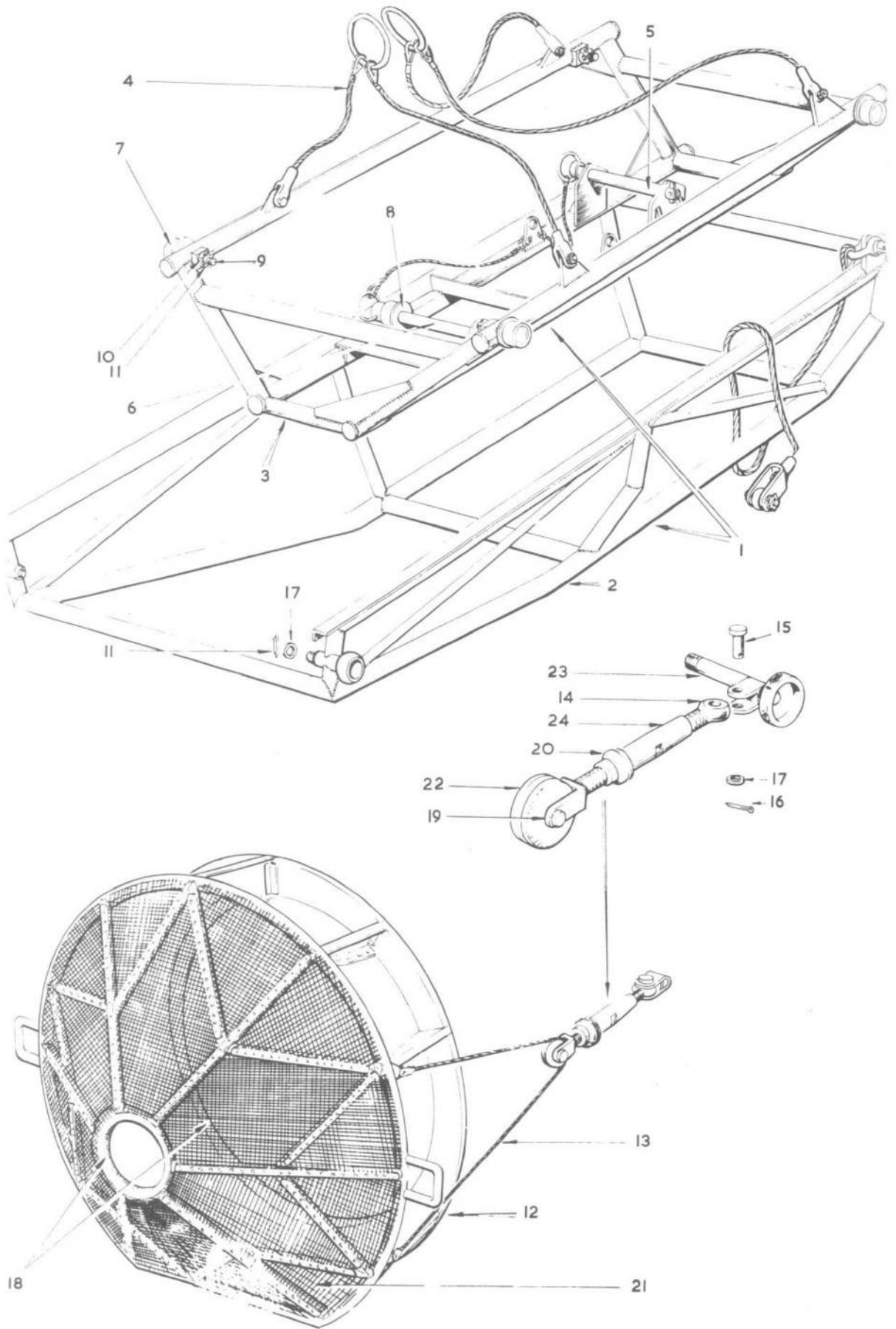


FIG. 15. GROUND EQUIPMENT
Restricted

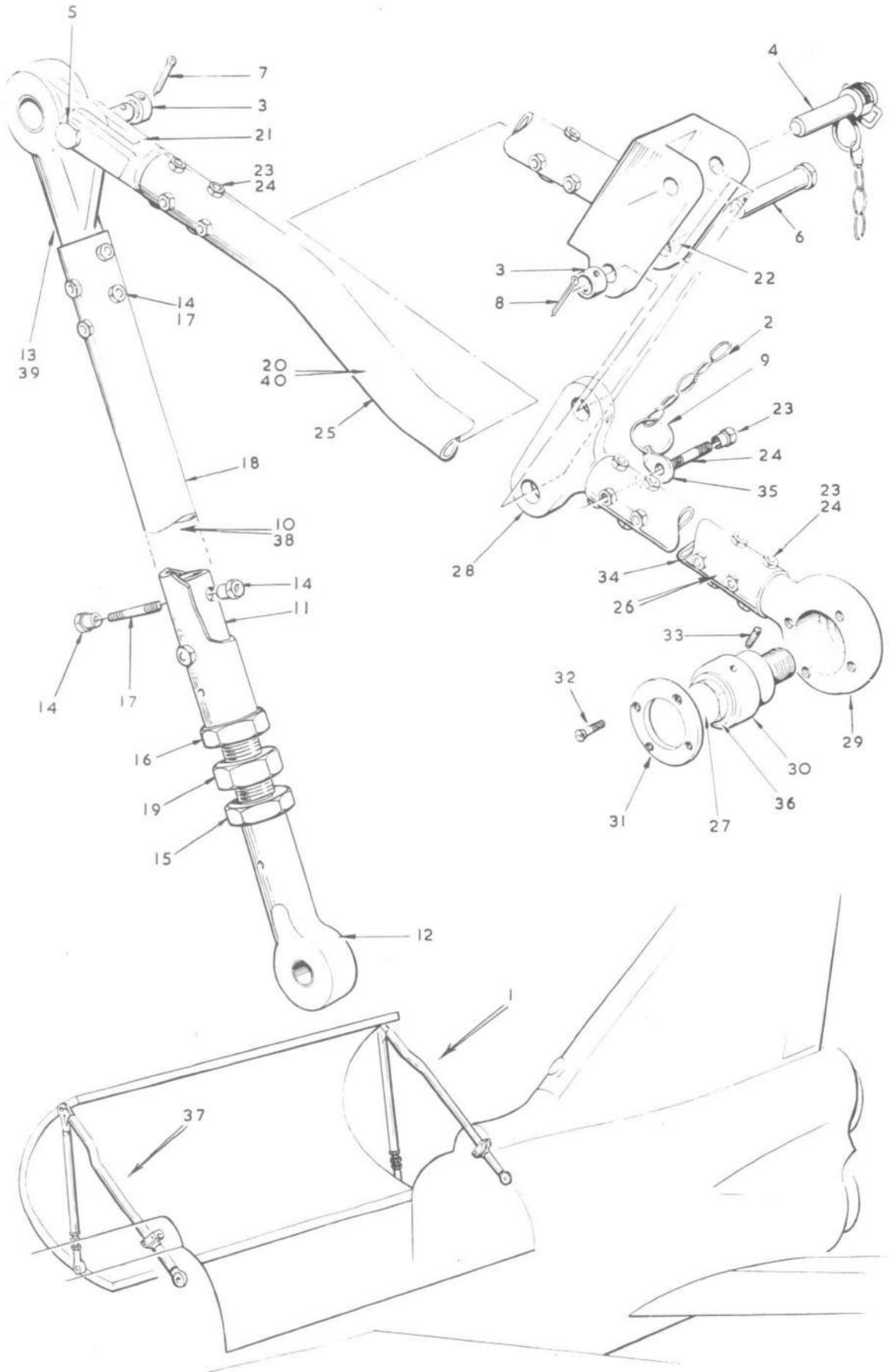


FIG.16. GROUND EQUIPMENT
Restricted

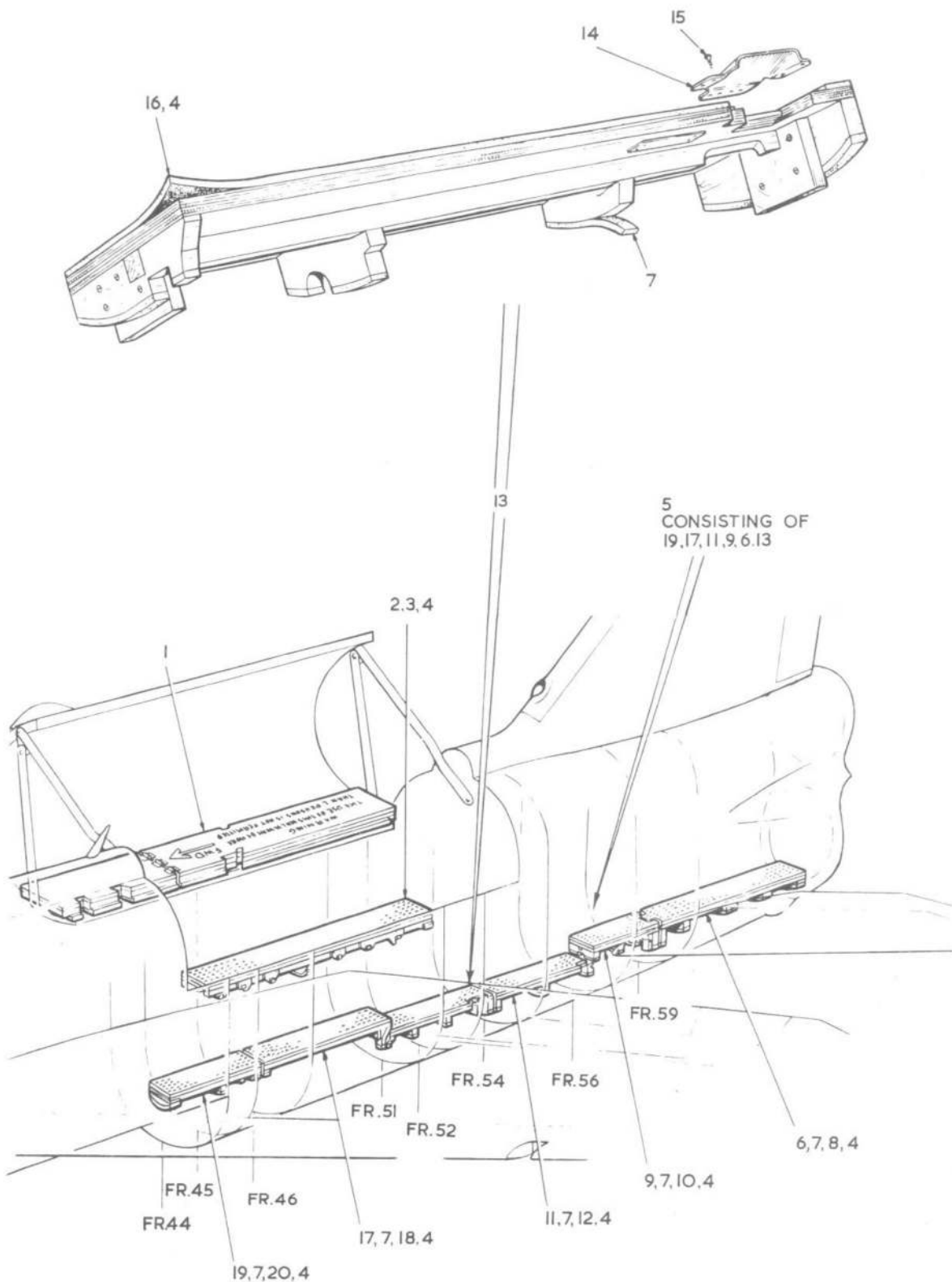


FIG.17. GROUND EQUIPMENT

Restricted

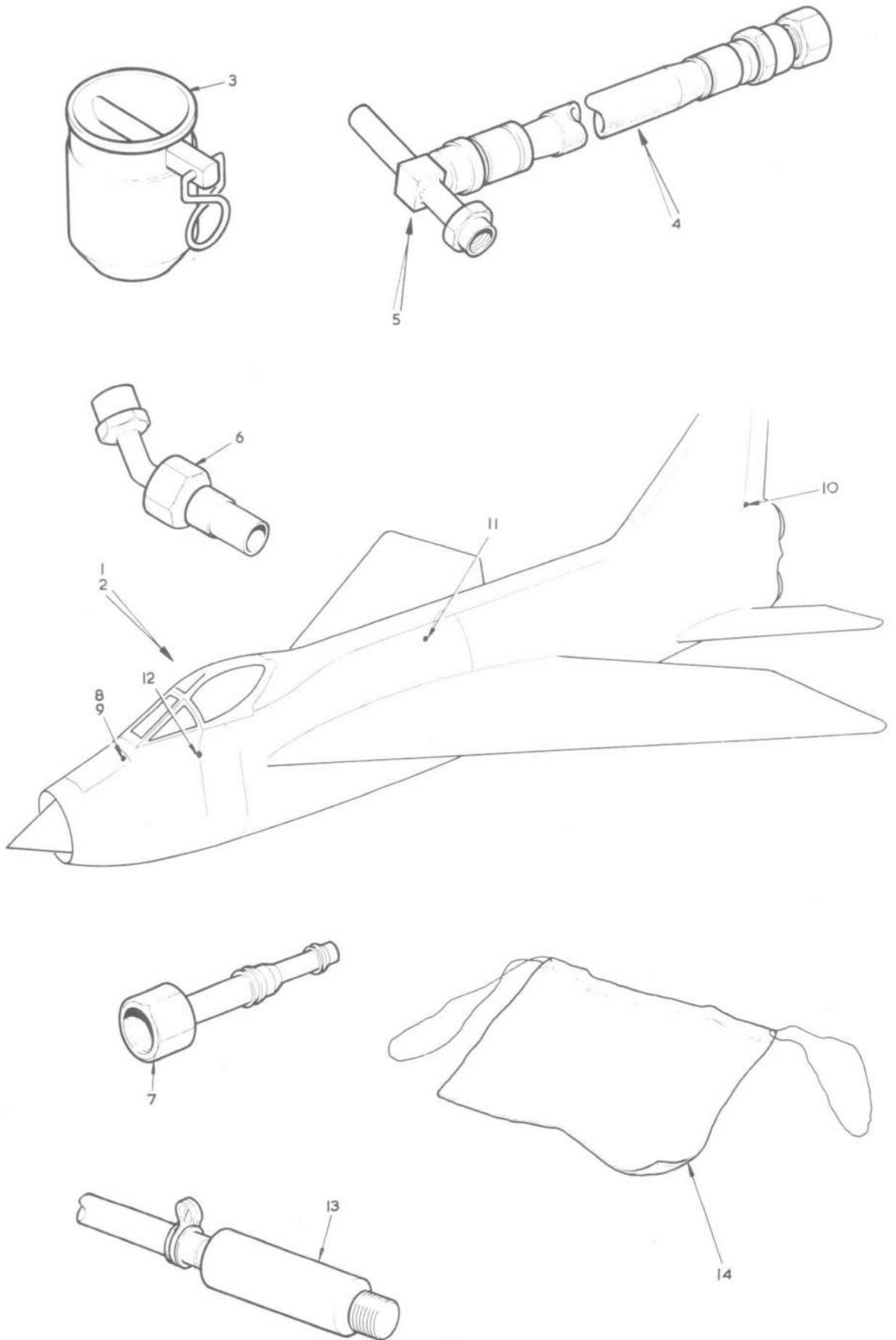


FIG 18 EQUIPMENT ANCILLARY - GROUND EQUIPMENT
Restricted

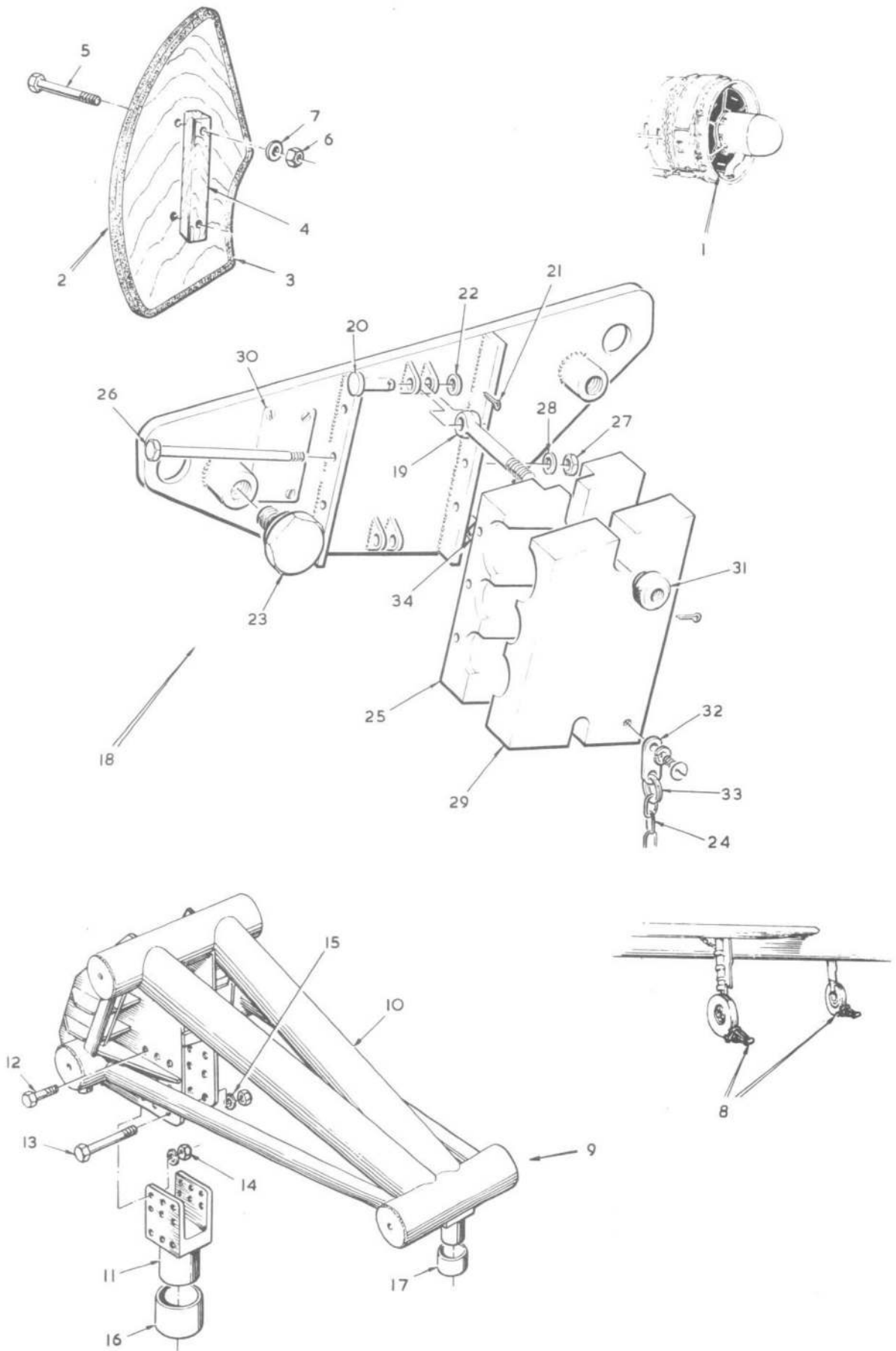


FIG. 19. GROUND EQUIPMENT
Restricted

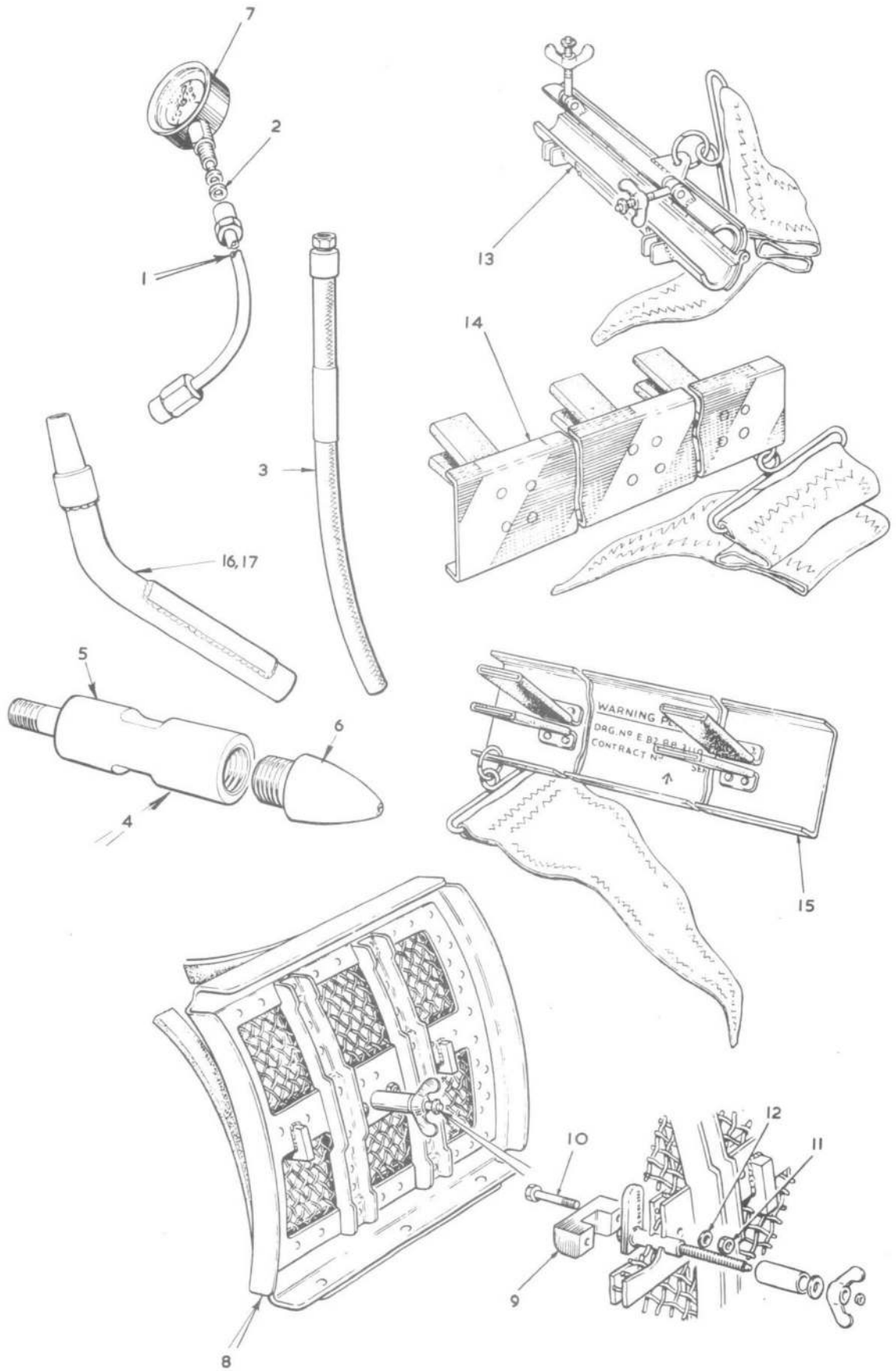


FIG. 20. GROUND EQUIPMENT
Restricted

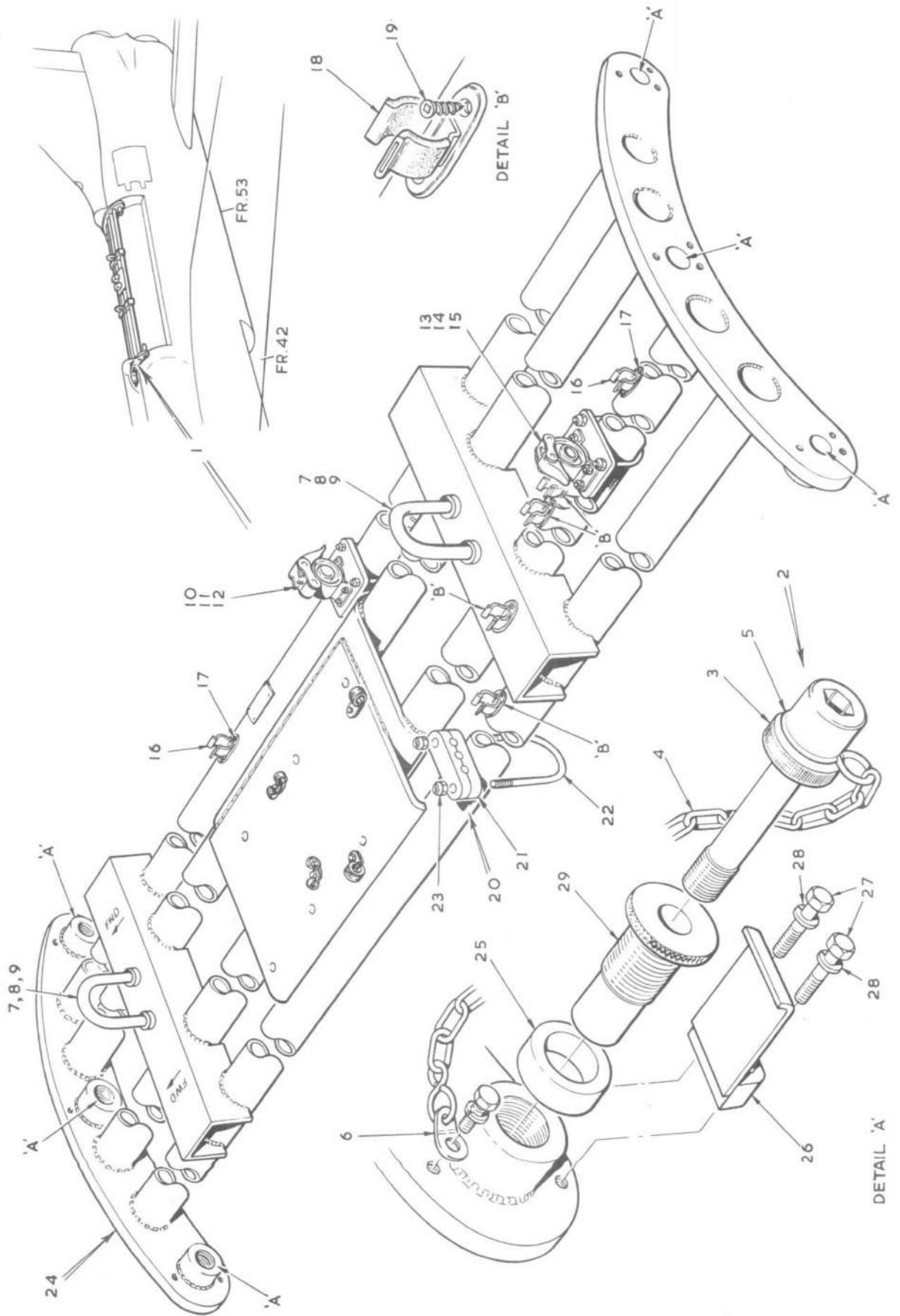


FIG.21. GROUND EQUIPMENT

Restricted

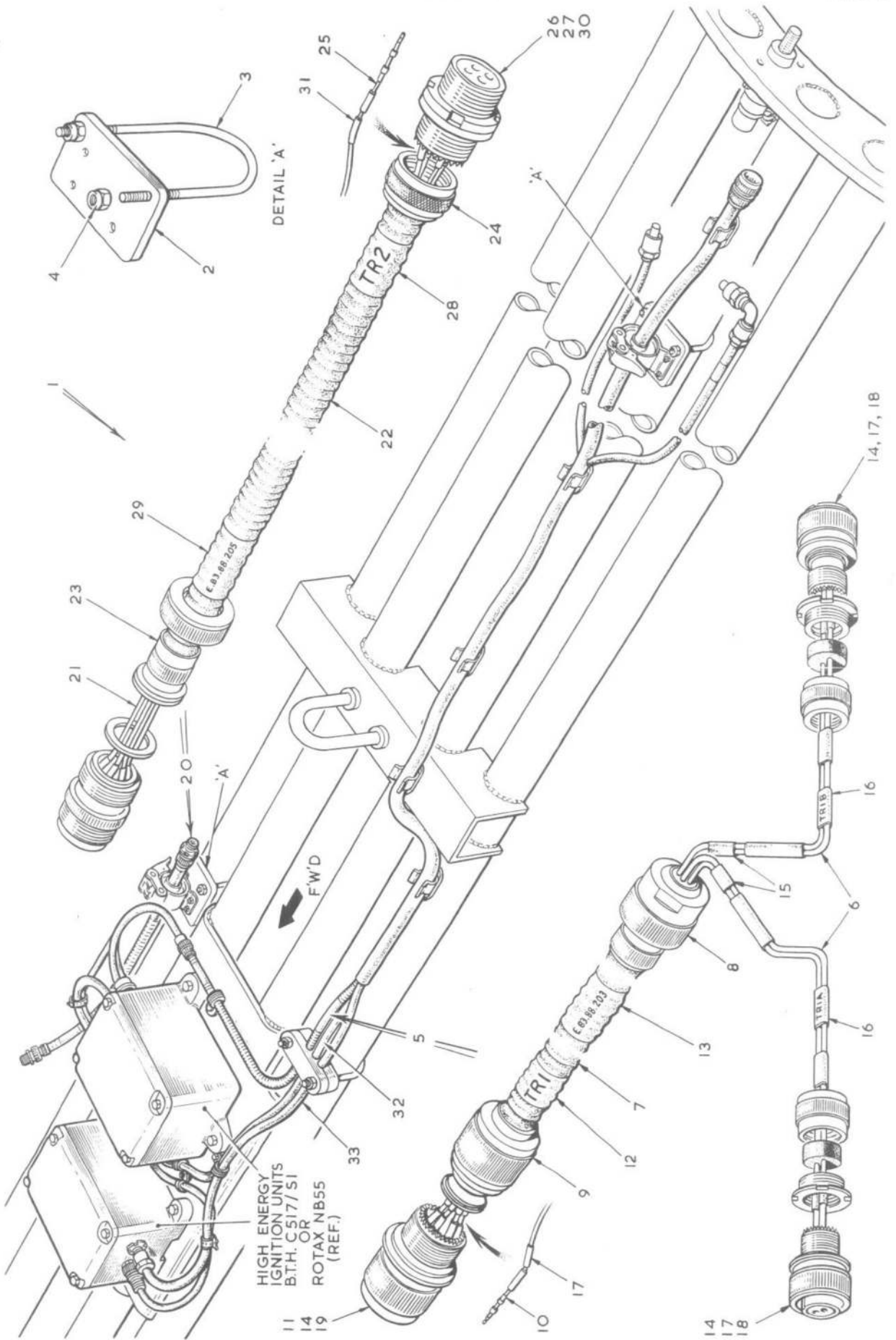


FIG.21A. GROUND EQUIPMENT

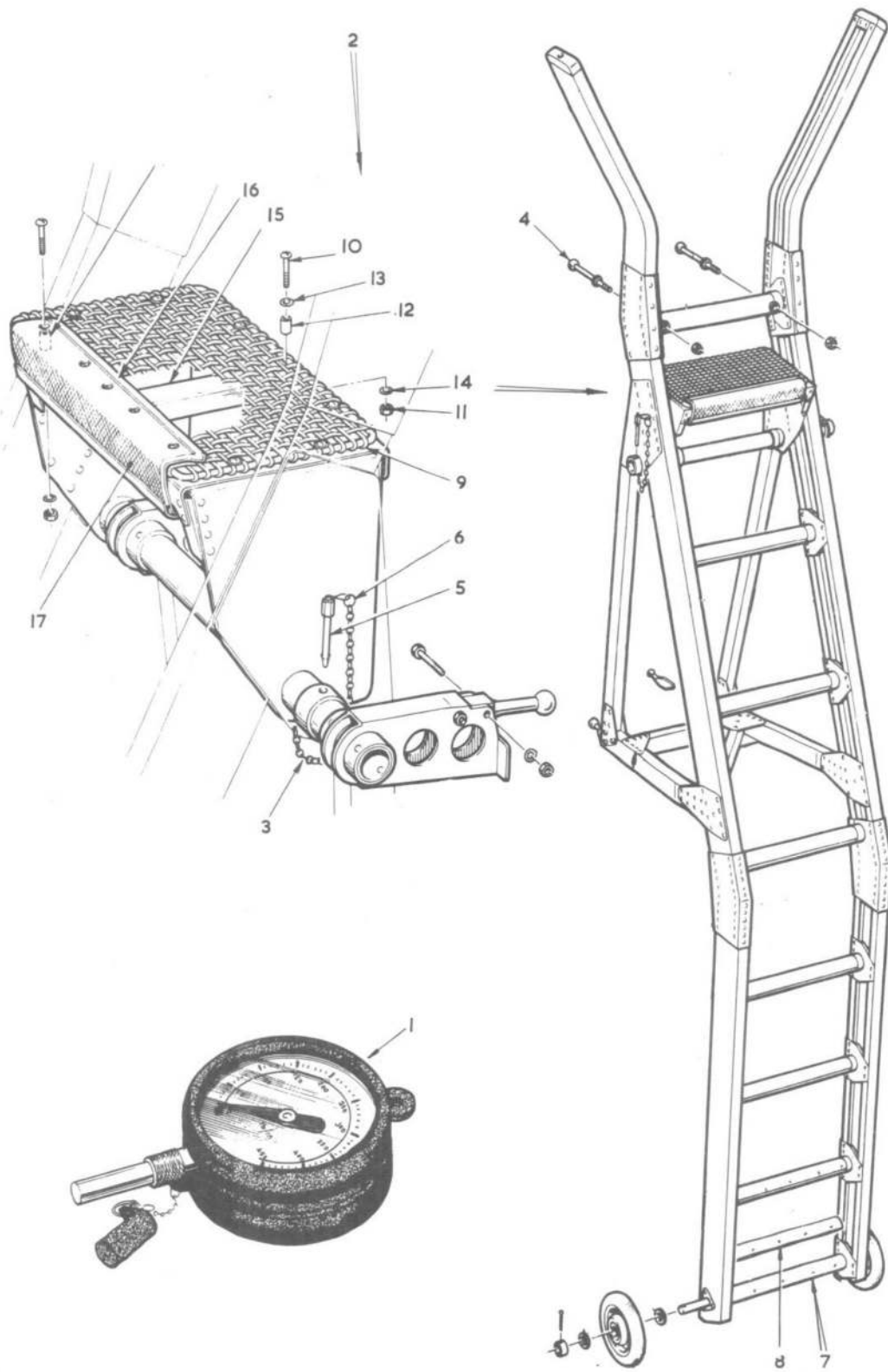


FIG. 22. GROUND EQUIPMENT
Restricted

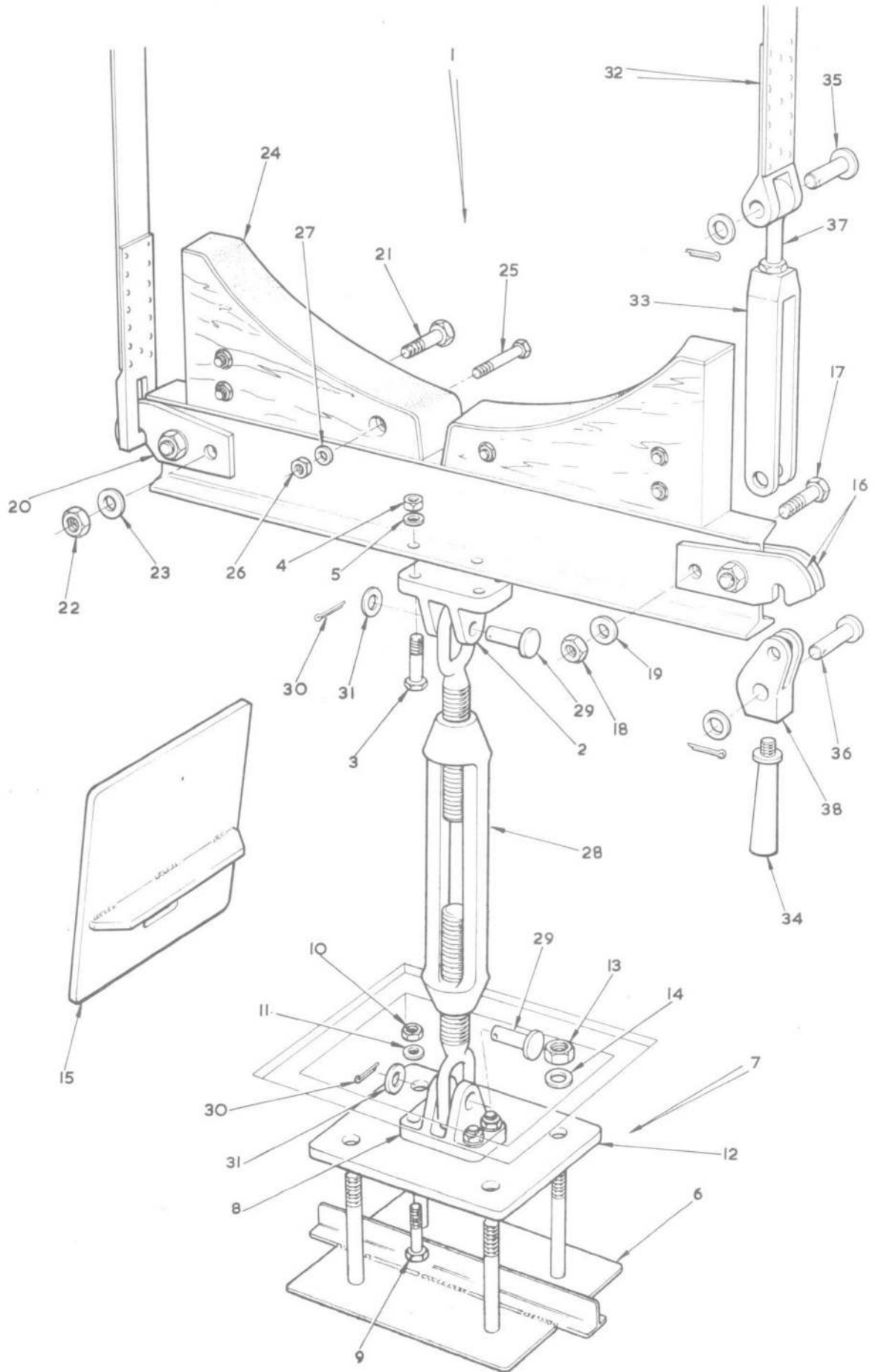


FIG. 23. GROUND EQUIPMENT
Restricted

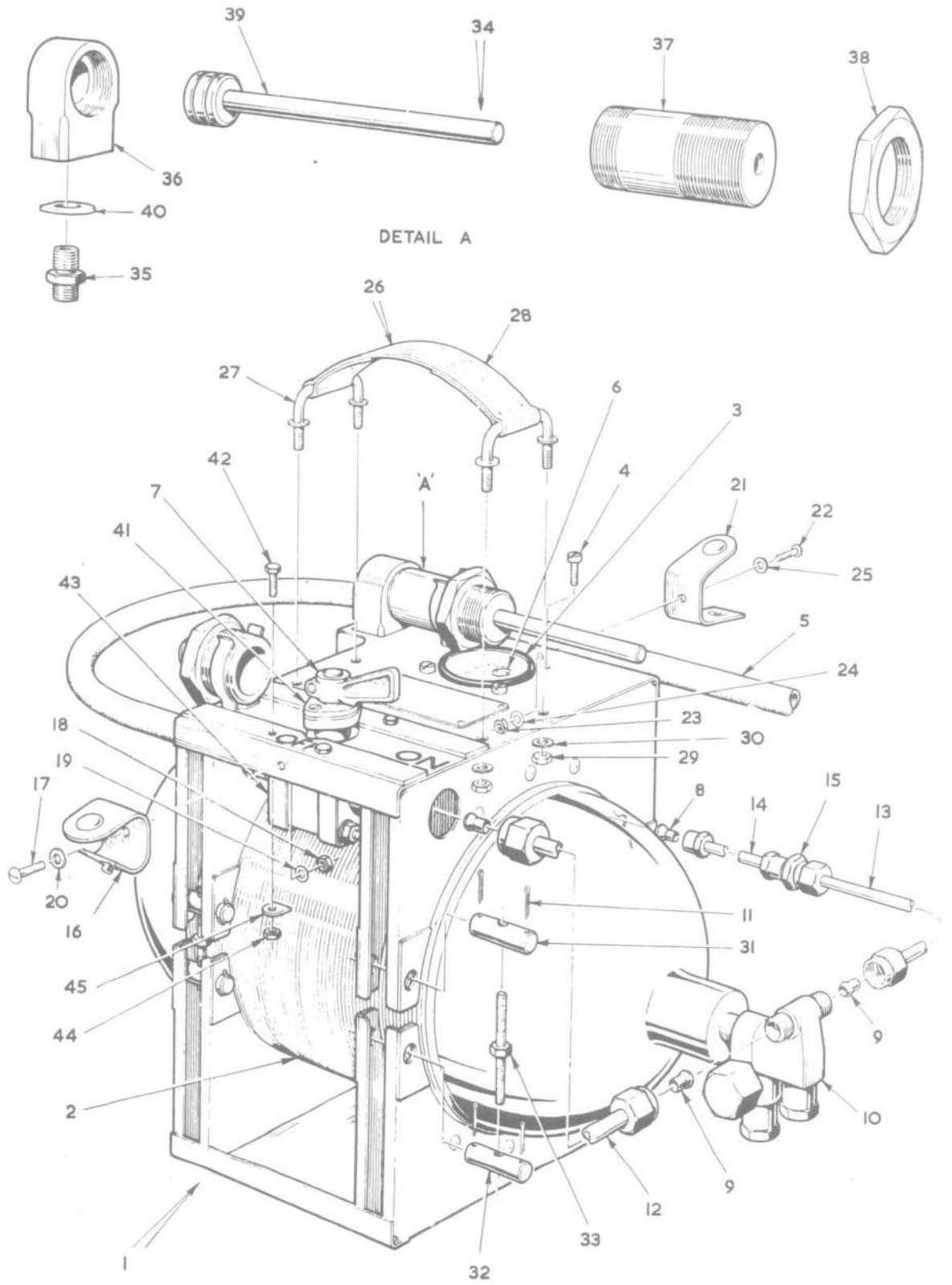


FIG. 24. GROUND EQUIPMENT
Restricted

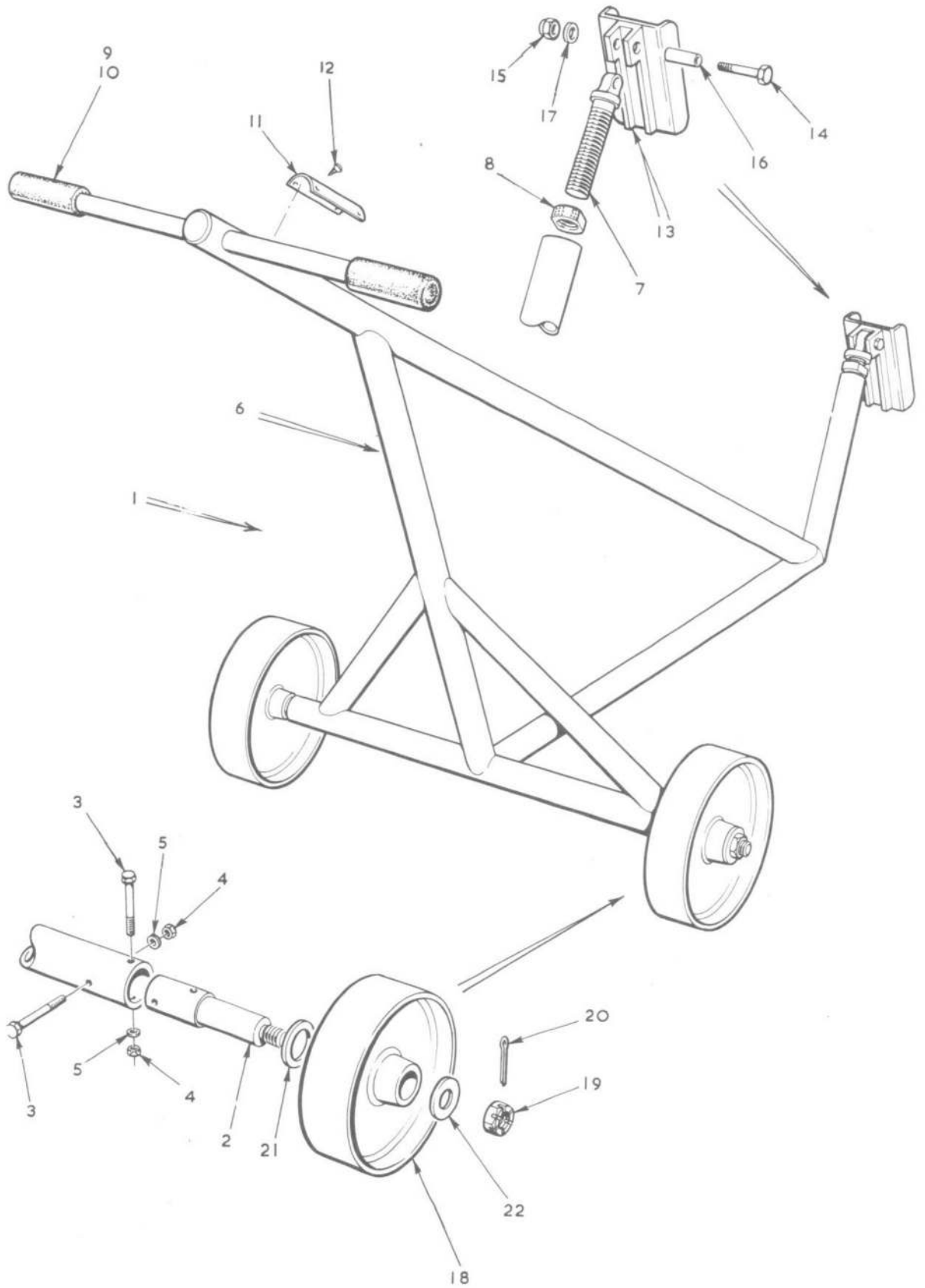


FIG.25. GROUND EQUIPMENT
Restricted

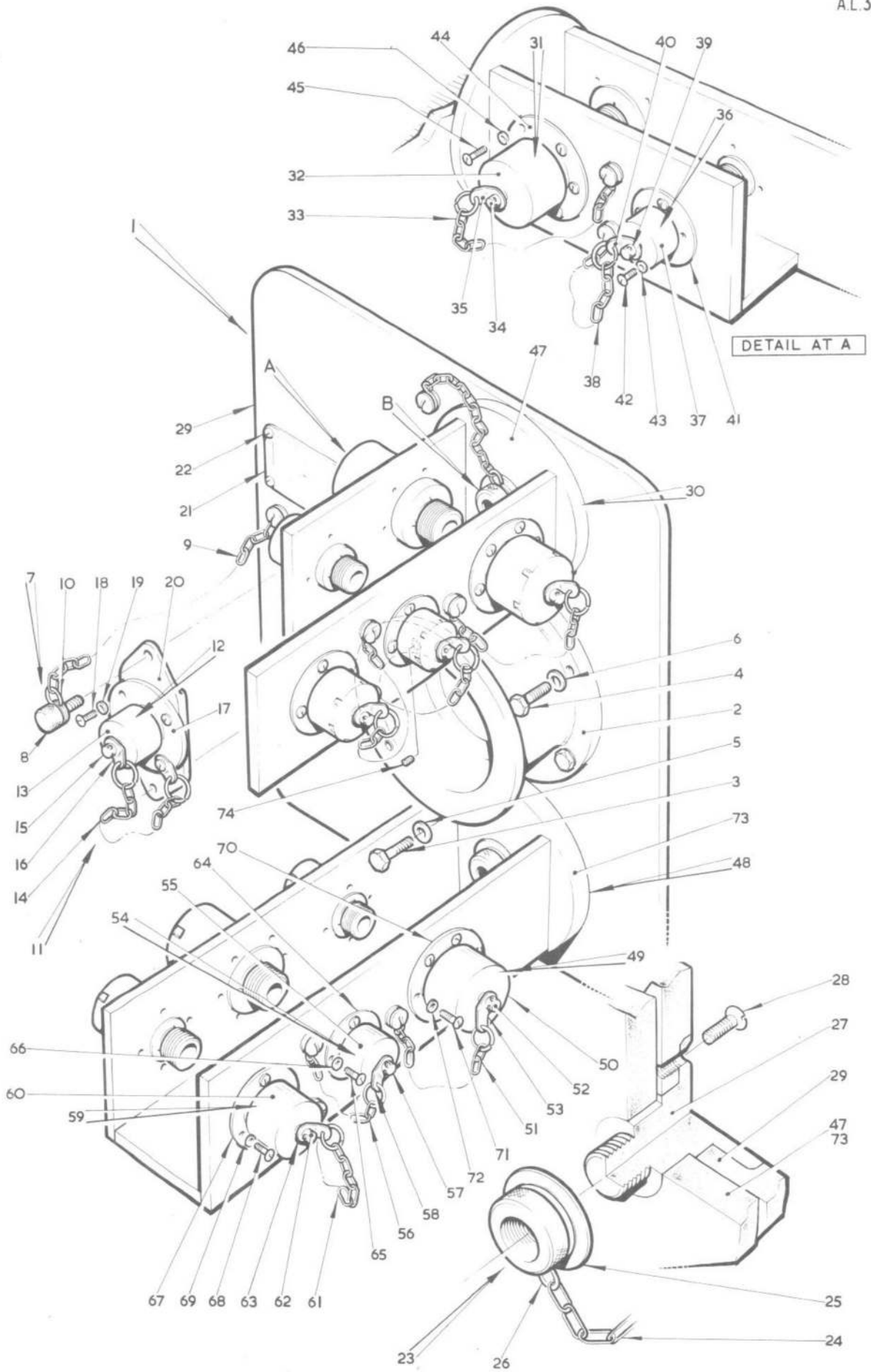


FIG. 26 EQUIPMENT ANCILLARY GROUND EQUIPMENT
Restricted

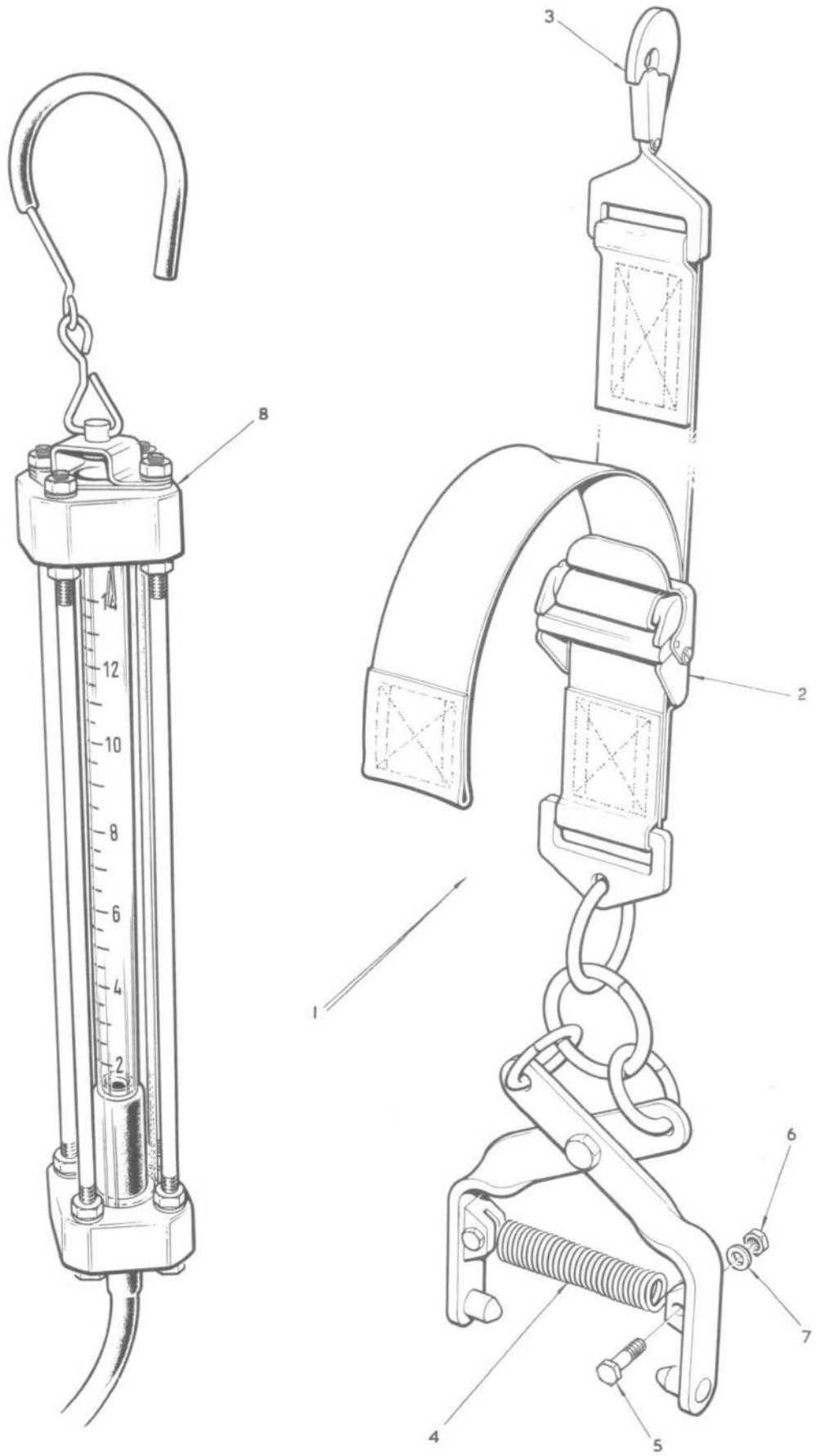


FIG. 27. GROUND EQUIPMENT
Restricted

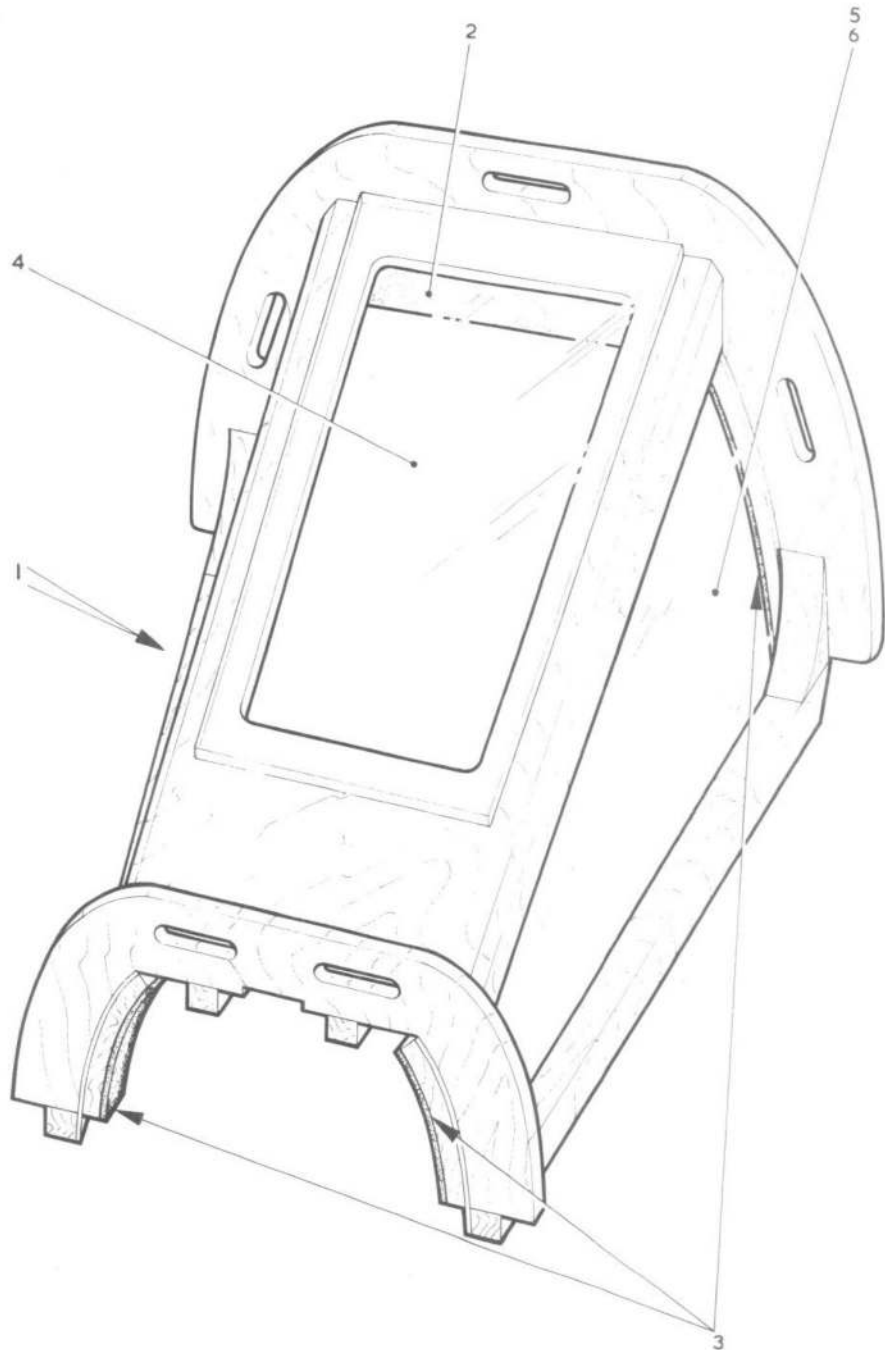


FIG. 27A. EQUIPMENT ANCILLARY-GROUND EQUIPMENT
Restricted

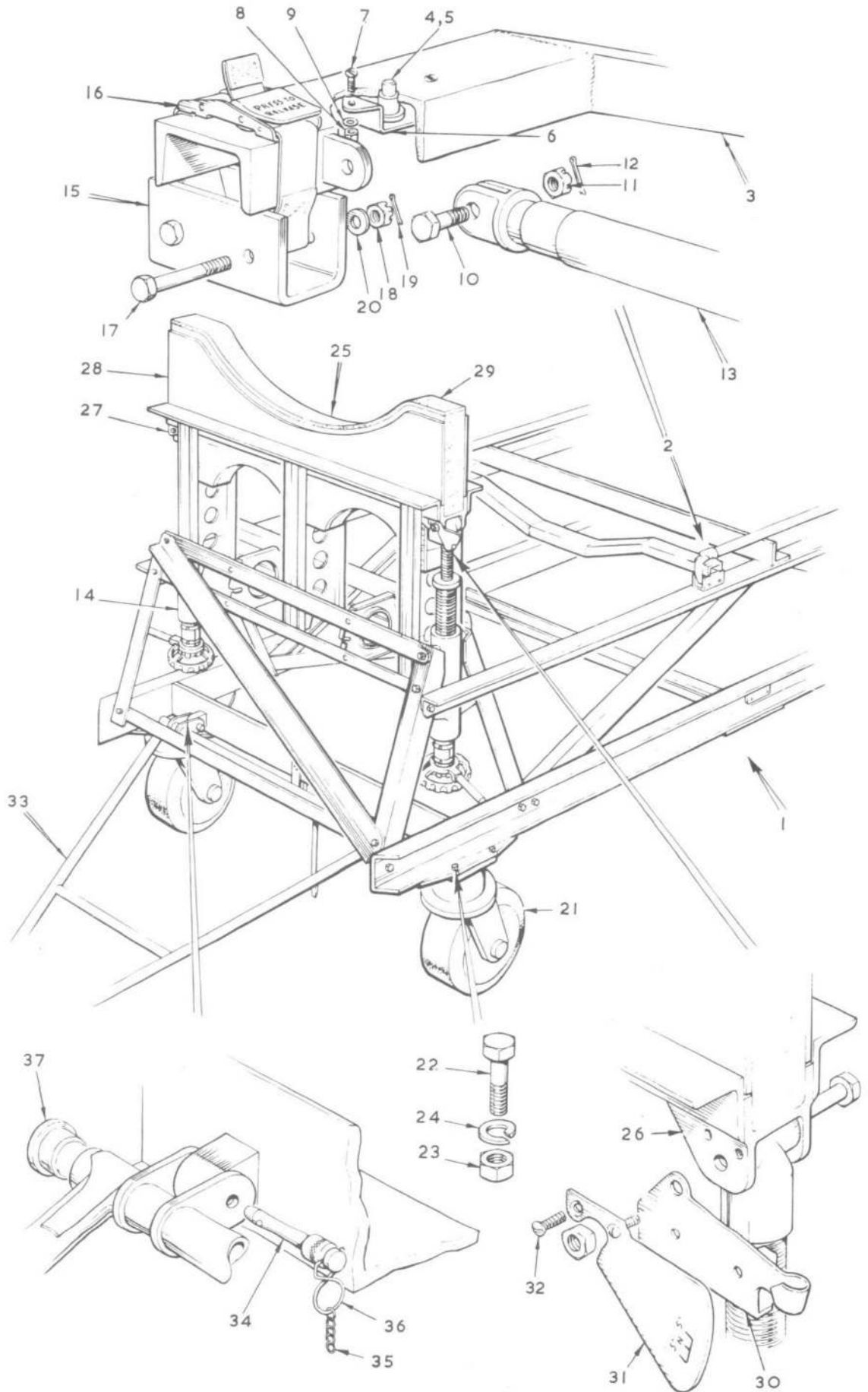


FIG.28. GROUND EQUIPMENT
Restricted

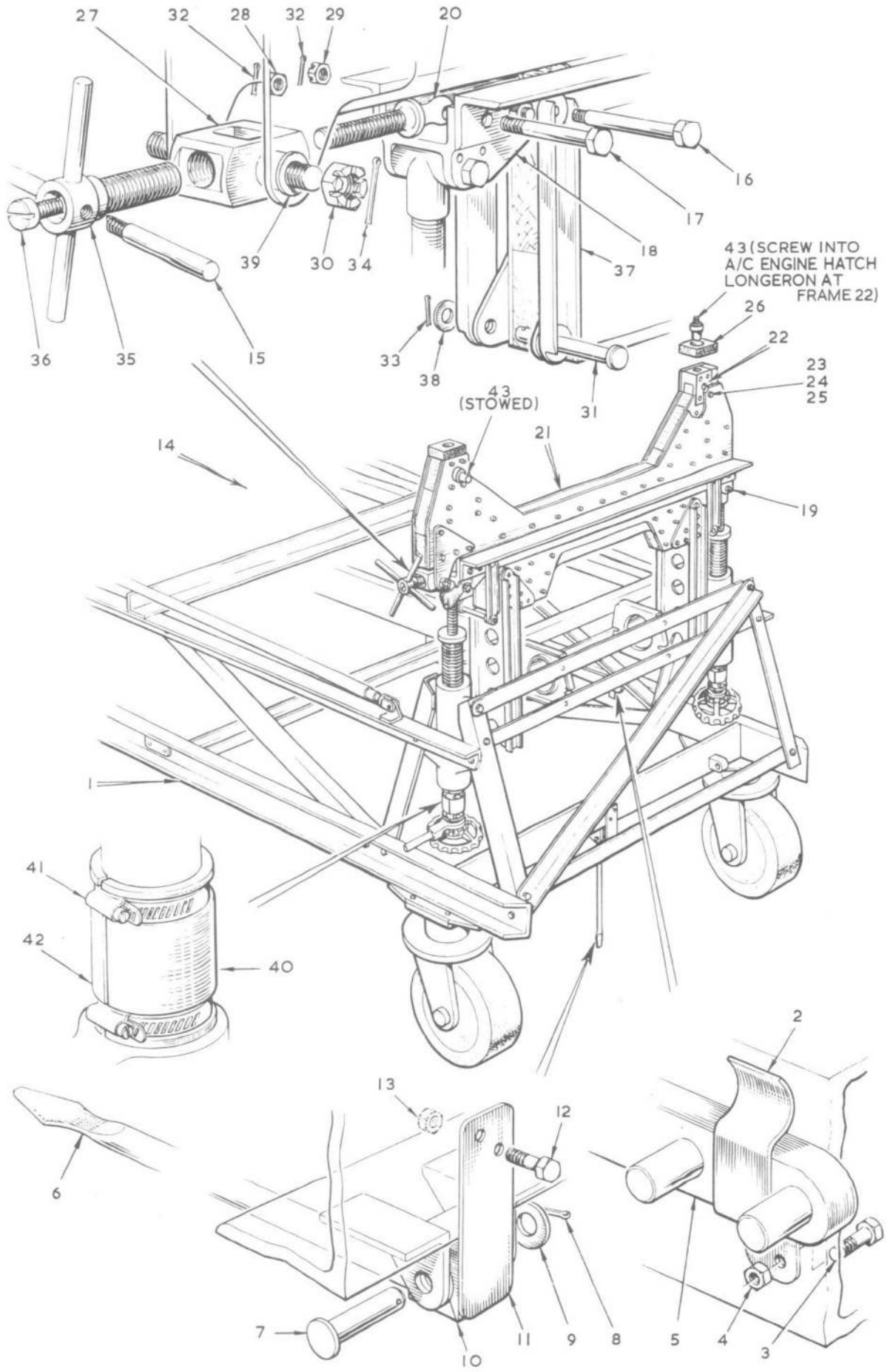


FIG.29. GROUND EQUIPMENT
Restricted

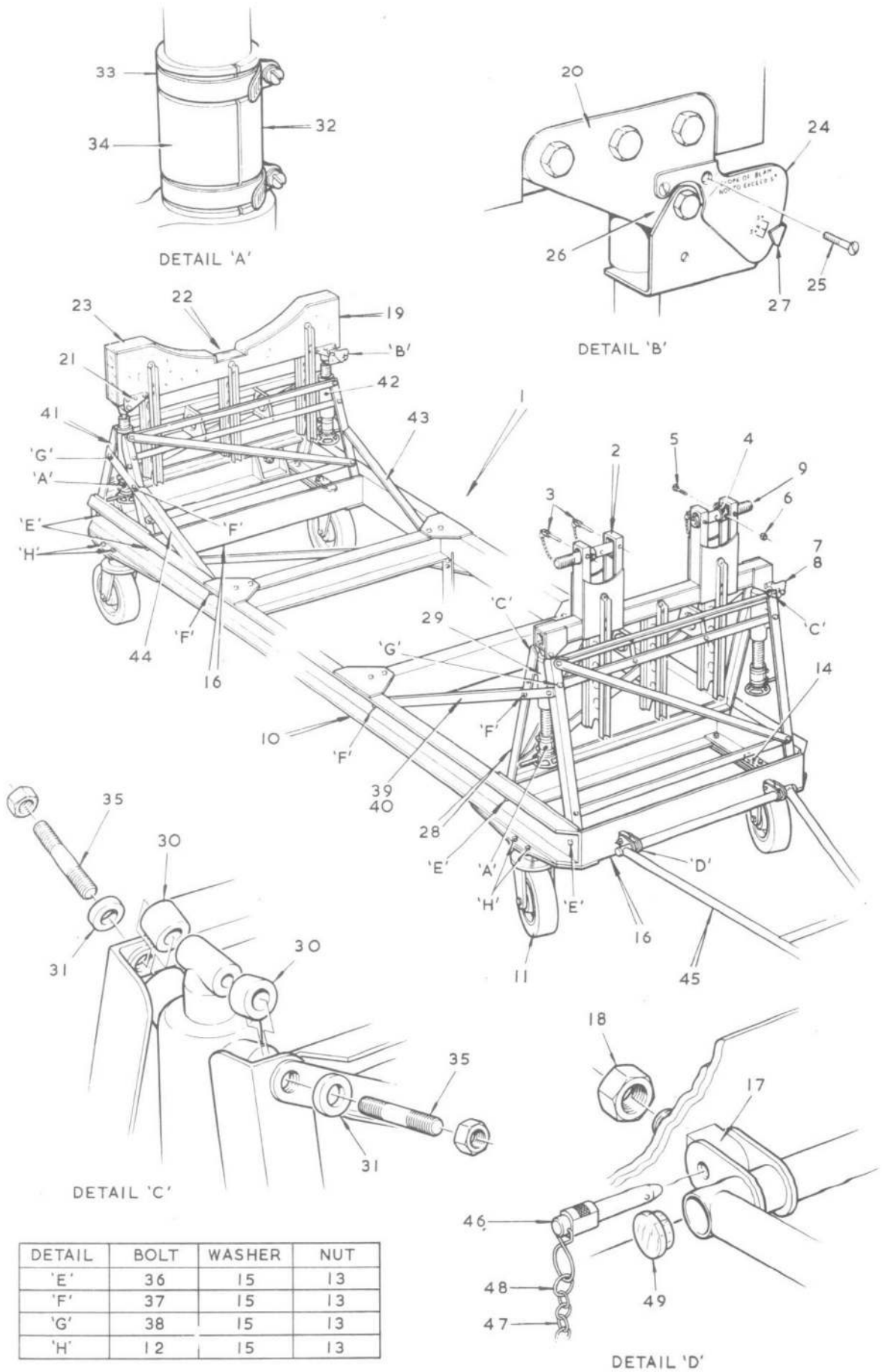


FIG.30. GROUND EQUIPMENT

Restricted

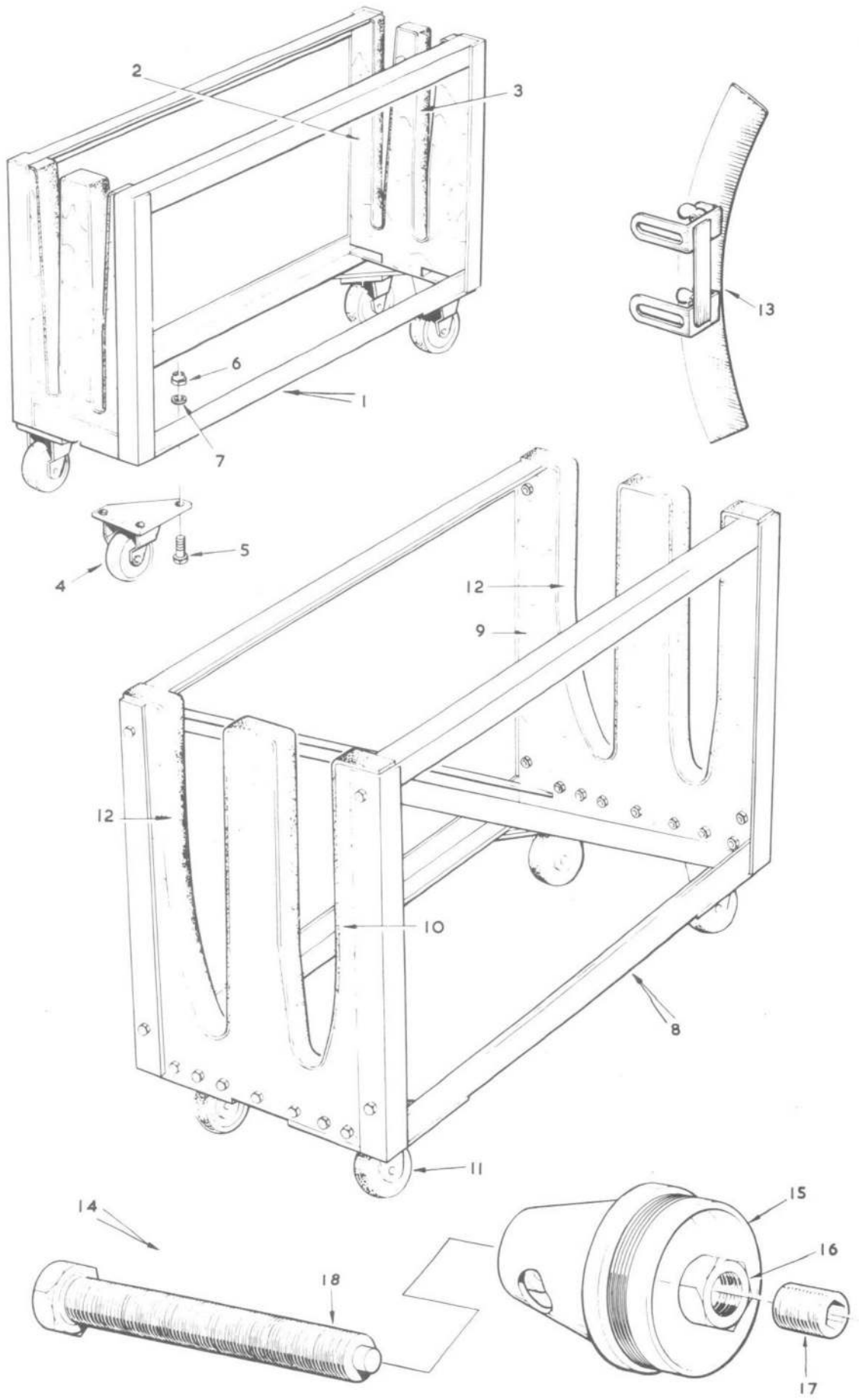


FIG.31. GROUND EQUIPMENT
Restricted

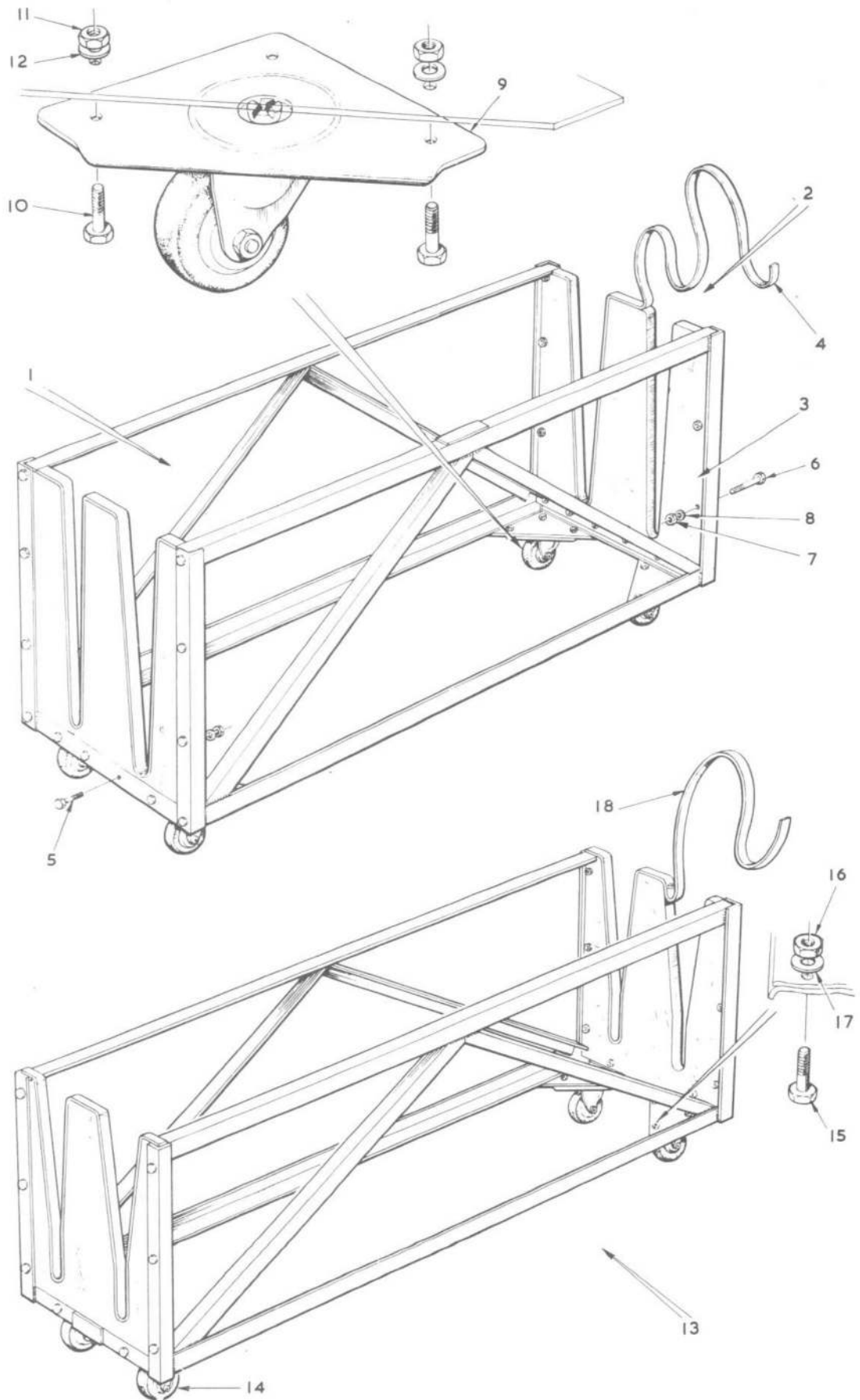


FIG.32. GROUND EQUIPMENT
Restricted

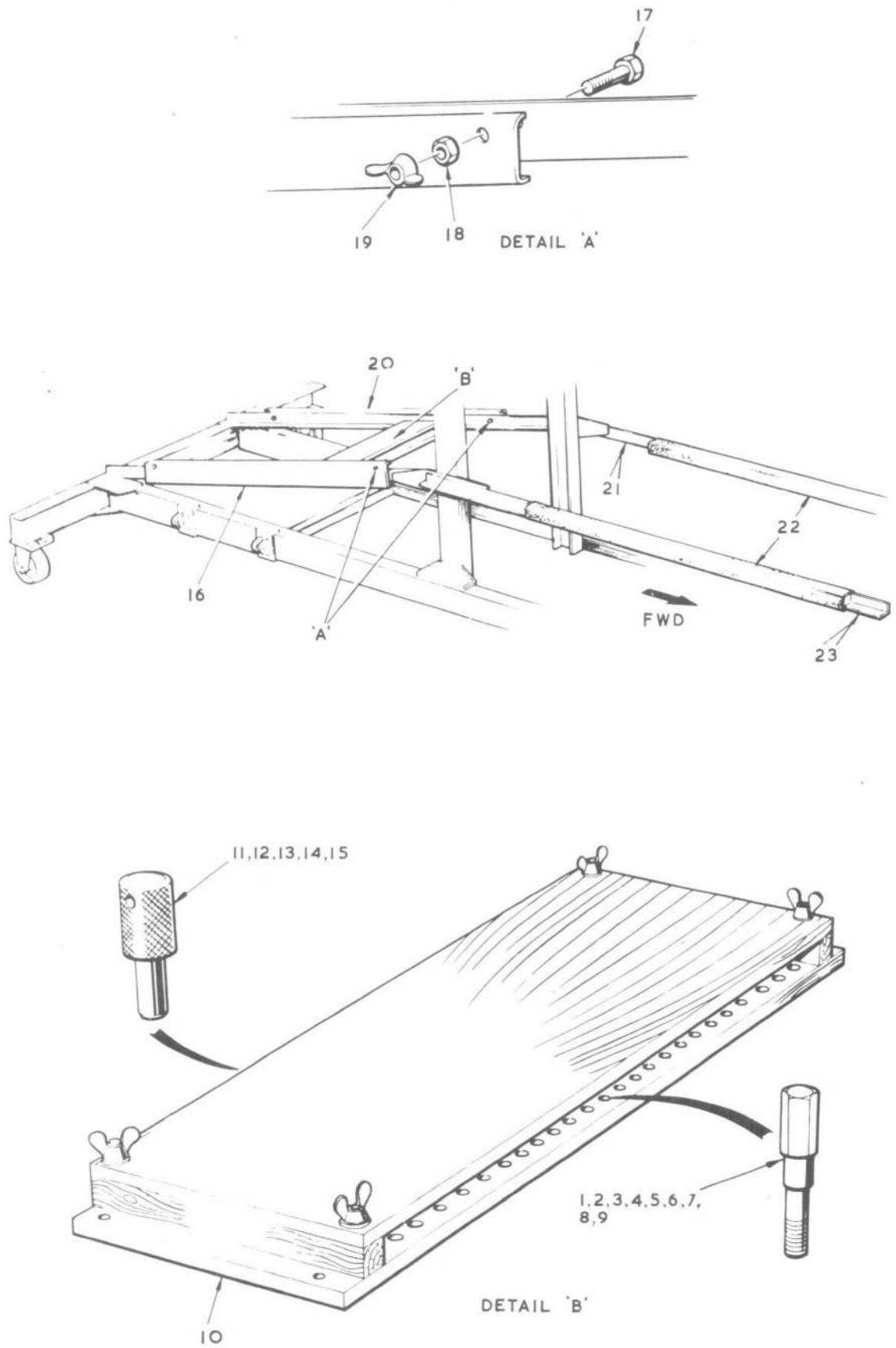


FIG.33. GROUND EQUIPMENT
Restricted

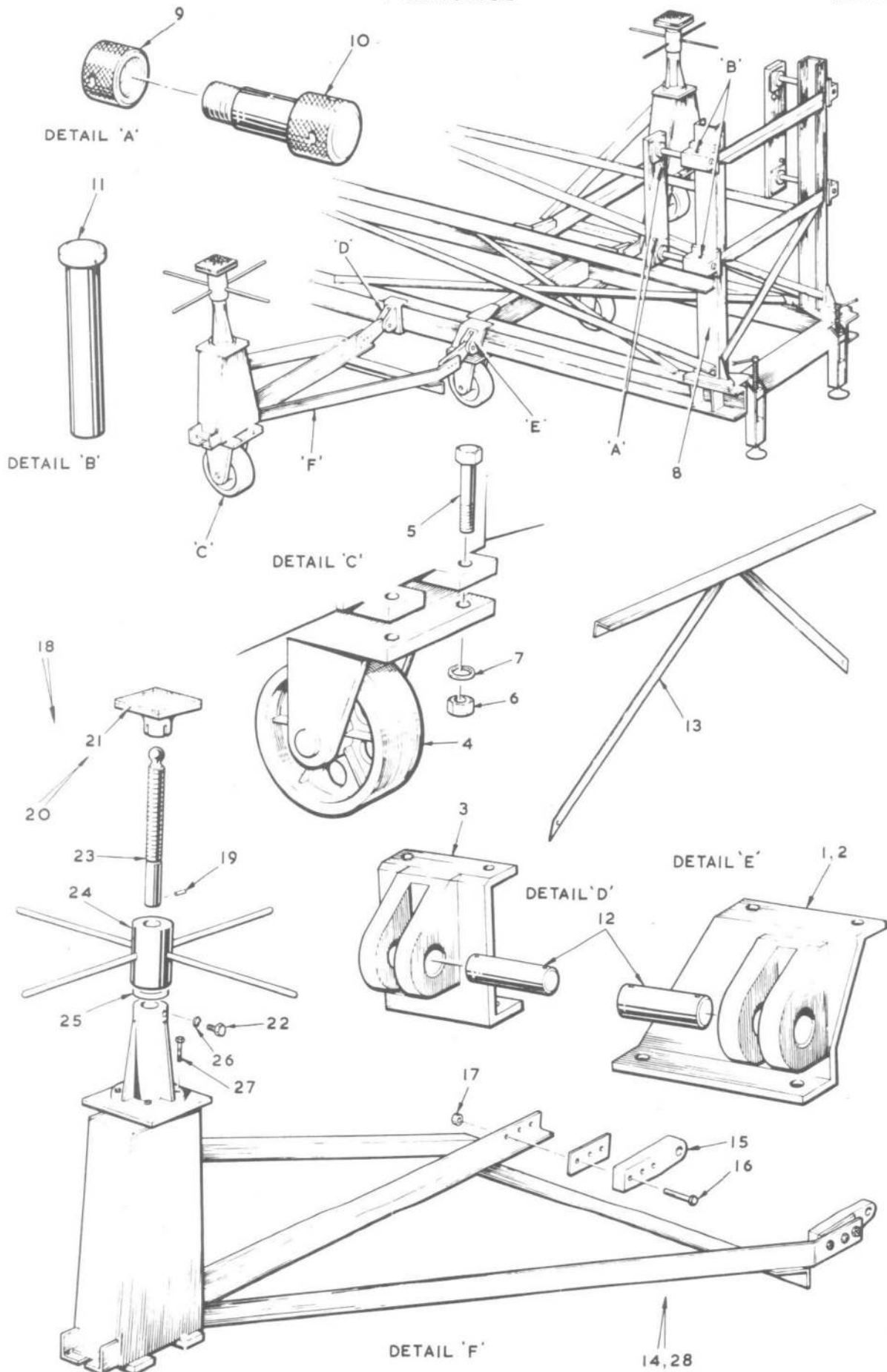


FIG.34. GROUND EQUIPMENT
Restricted

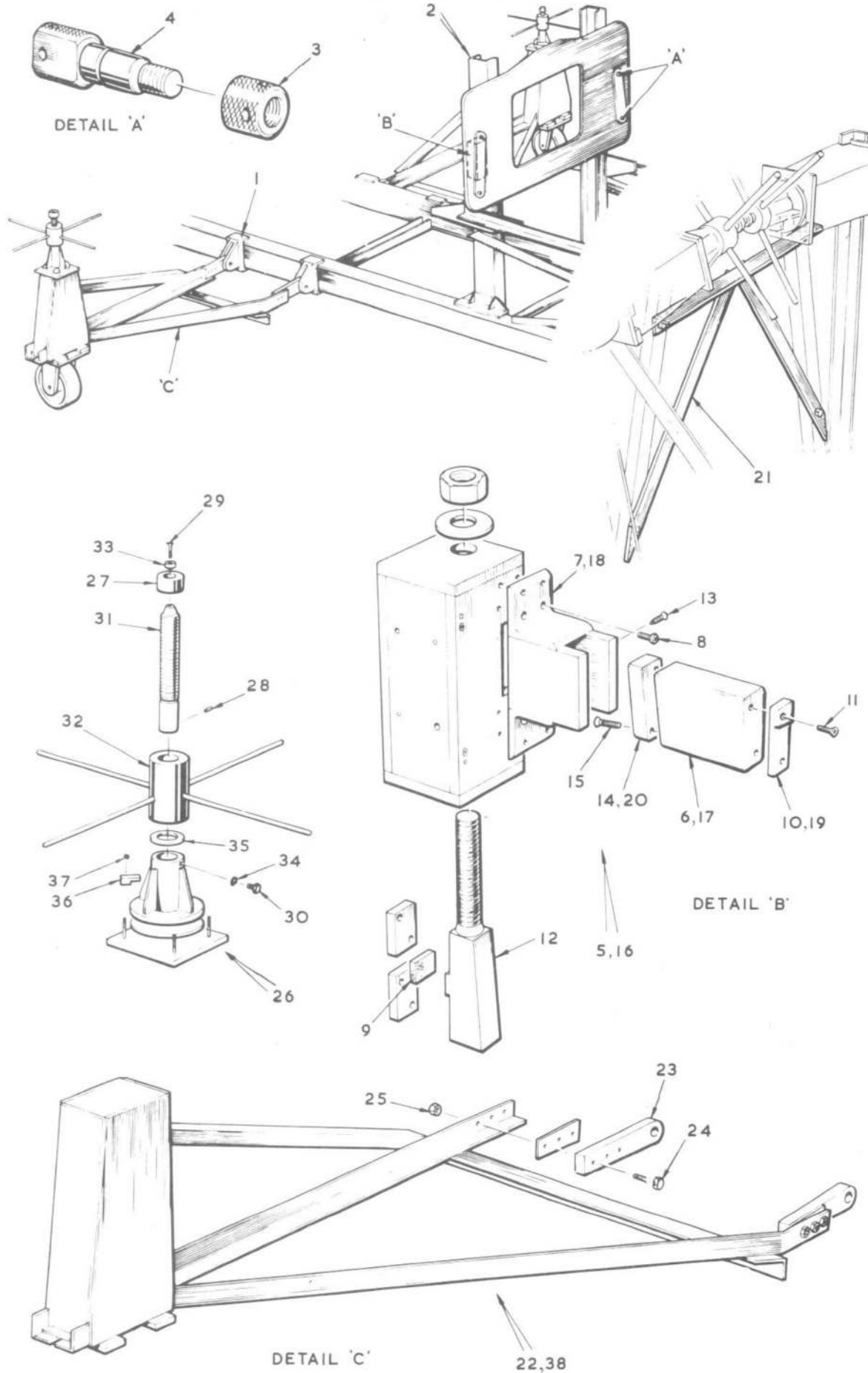


FIG.35. GROUND EQUIPMENT
Restricted

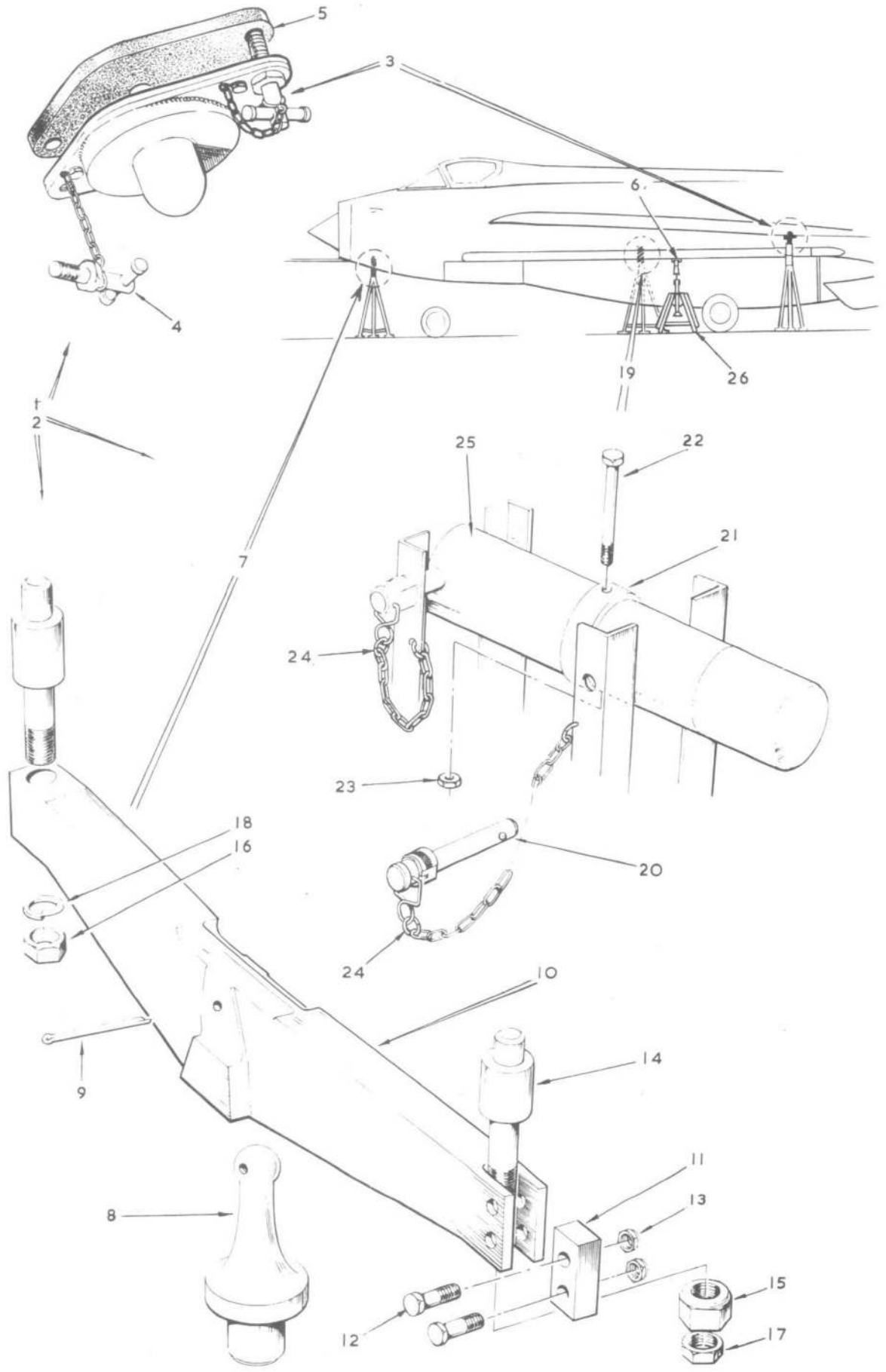


FIG.36. GROUND EQUIPMENT

Restricted

Restricted

A.L.48

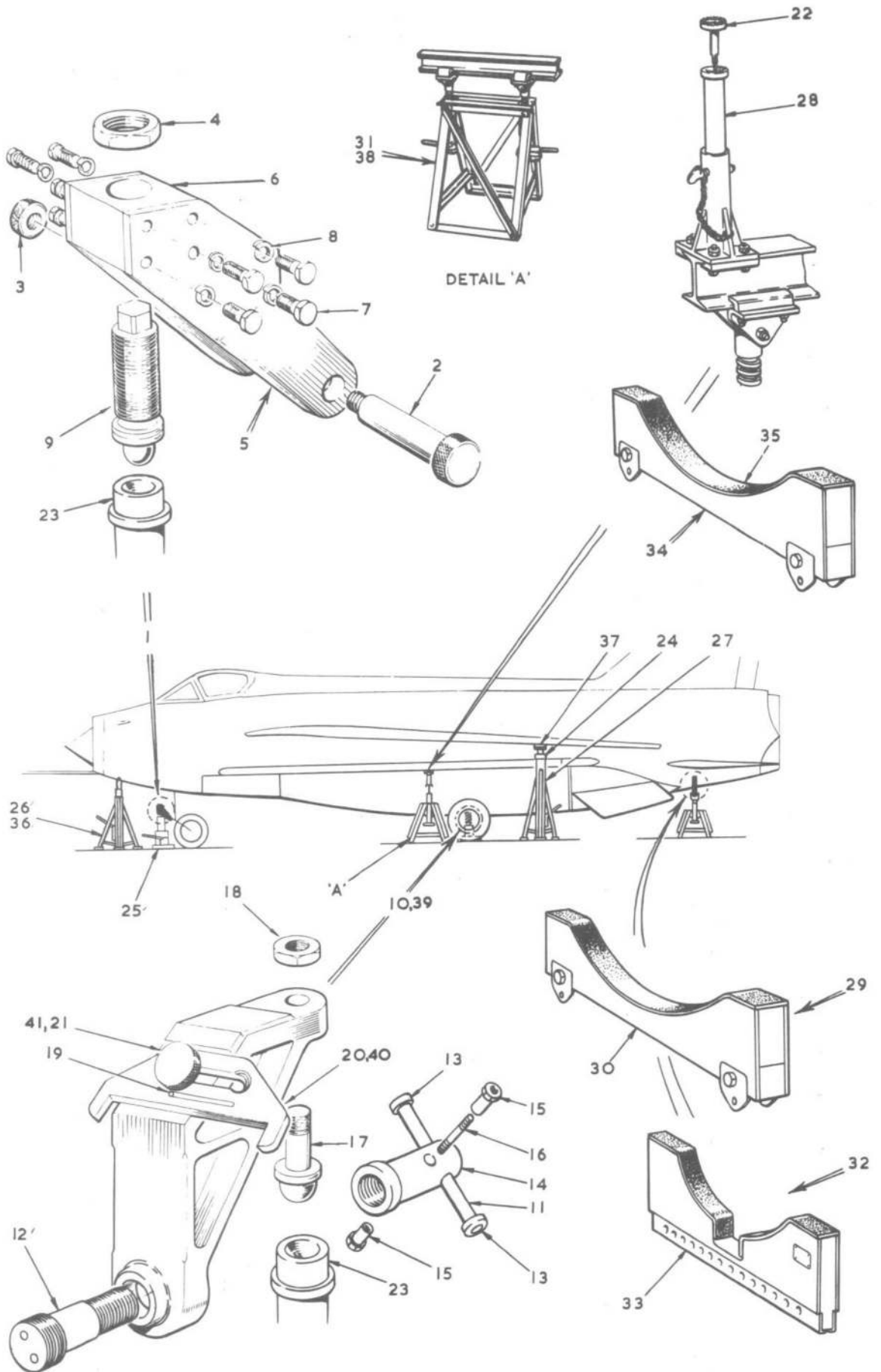


FIG.37. GROUND EQUIPMENT
Restricted

MK.2 & 2A SECT.G

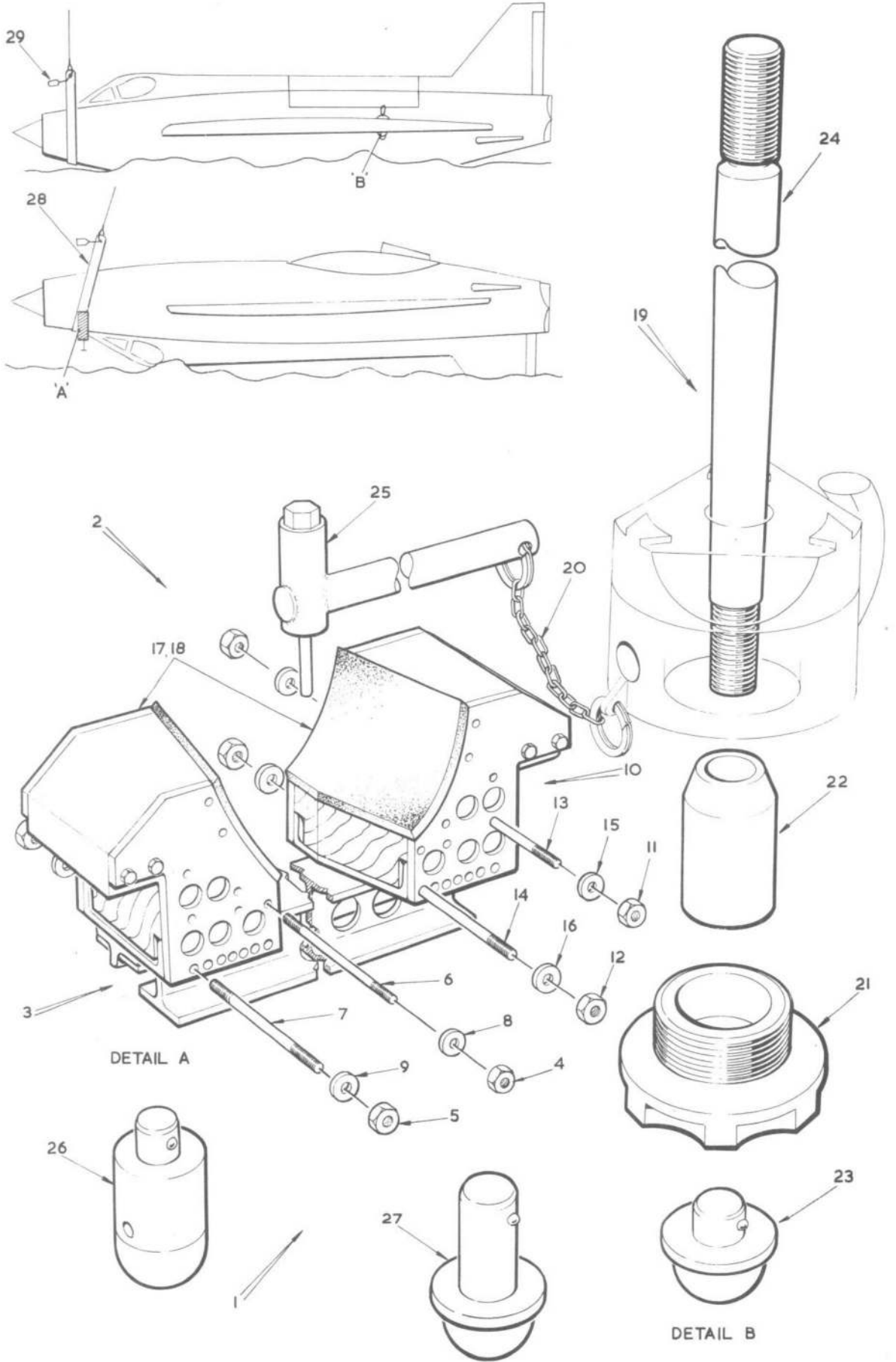


FIG.38. GROUND EQUIPMENT
Restricted

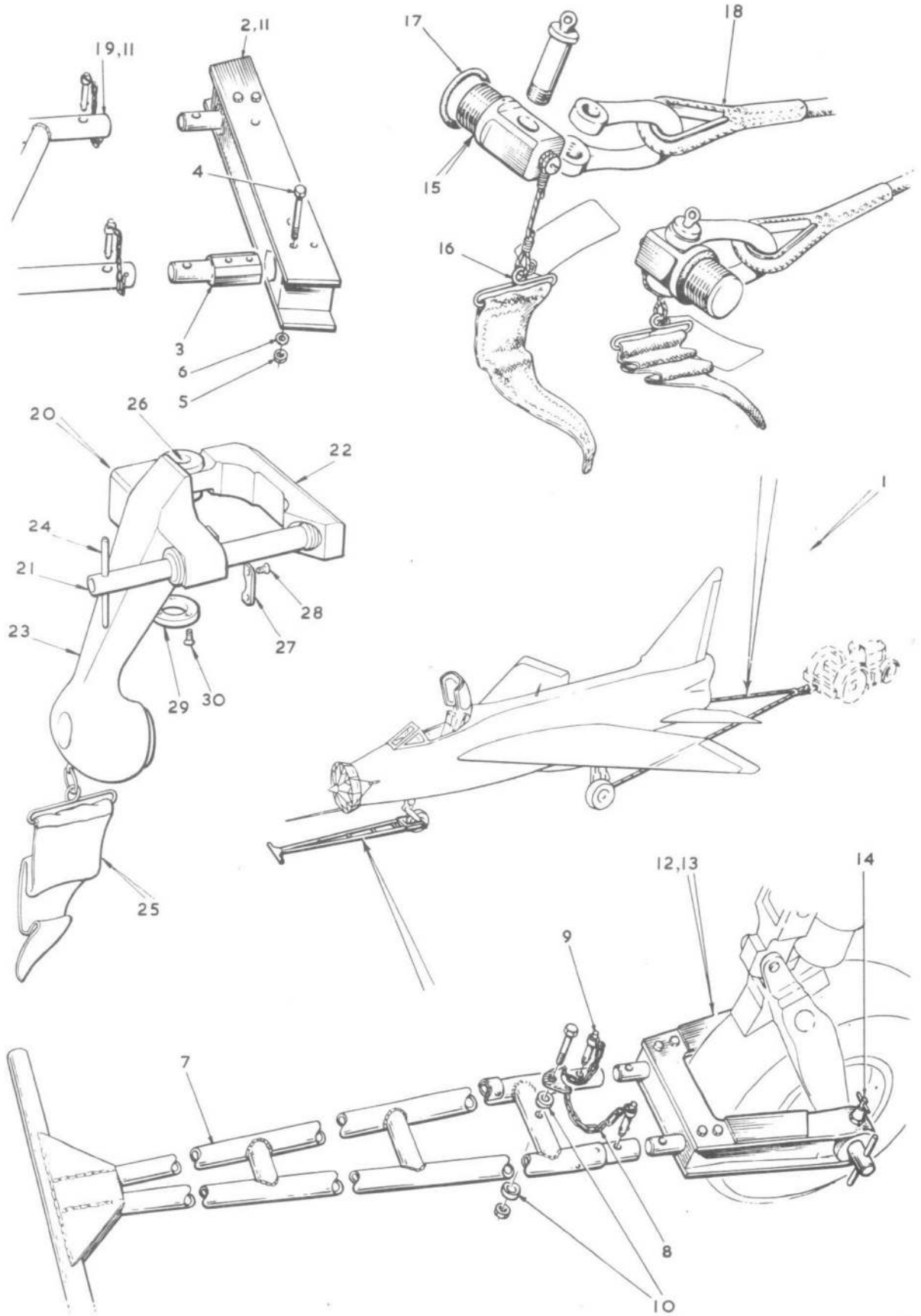


FIG.39. GROUND EQUIPMENT
Restricted

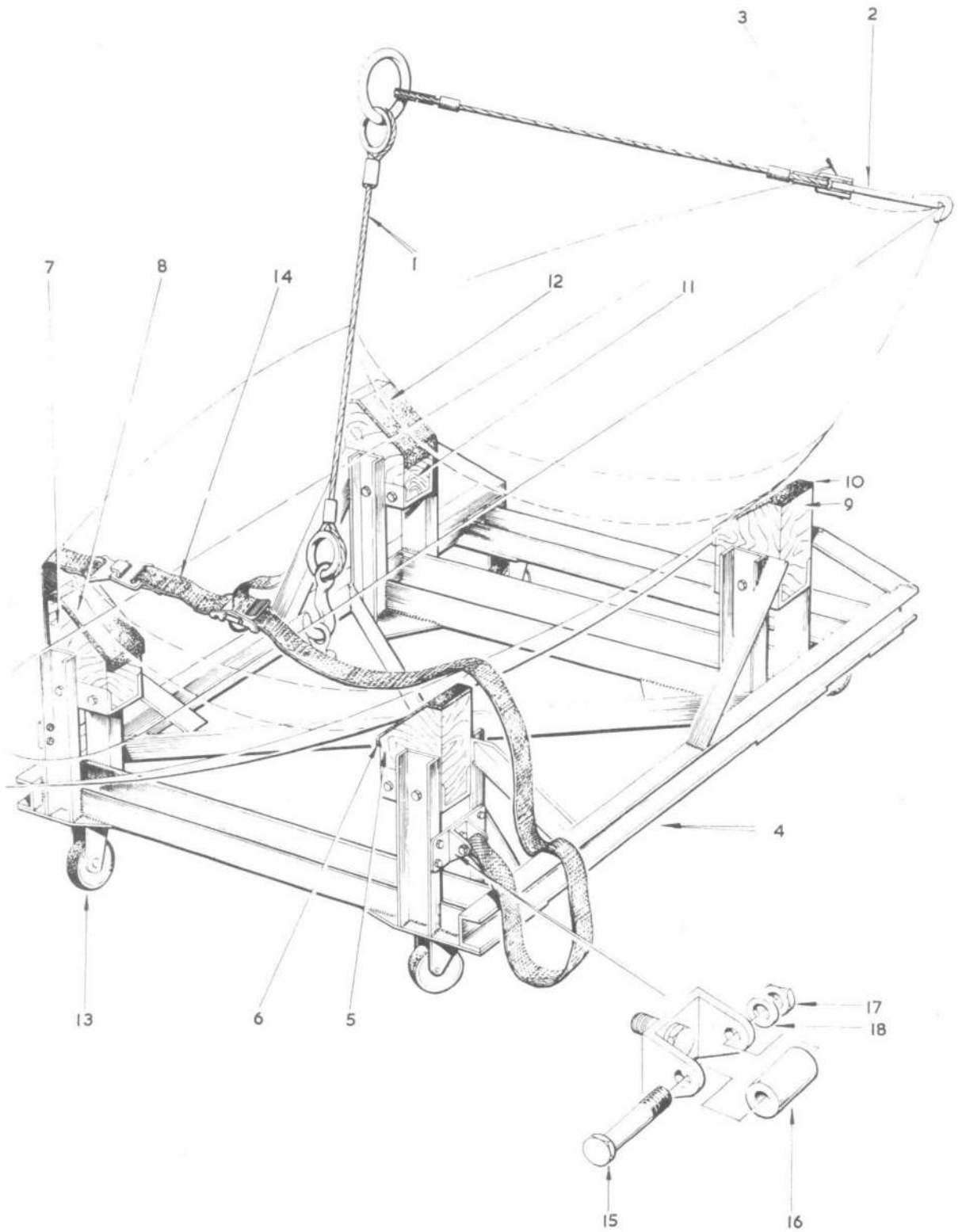


FIG.40. GROUND EQUIPMENT
Restricted

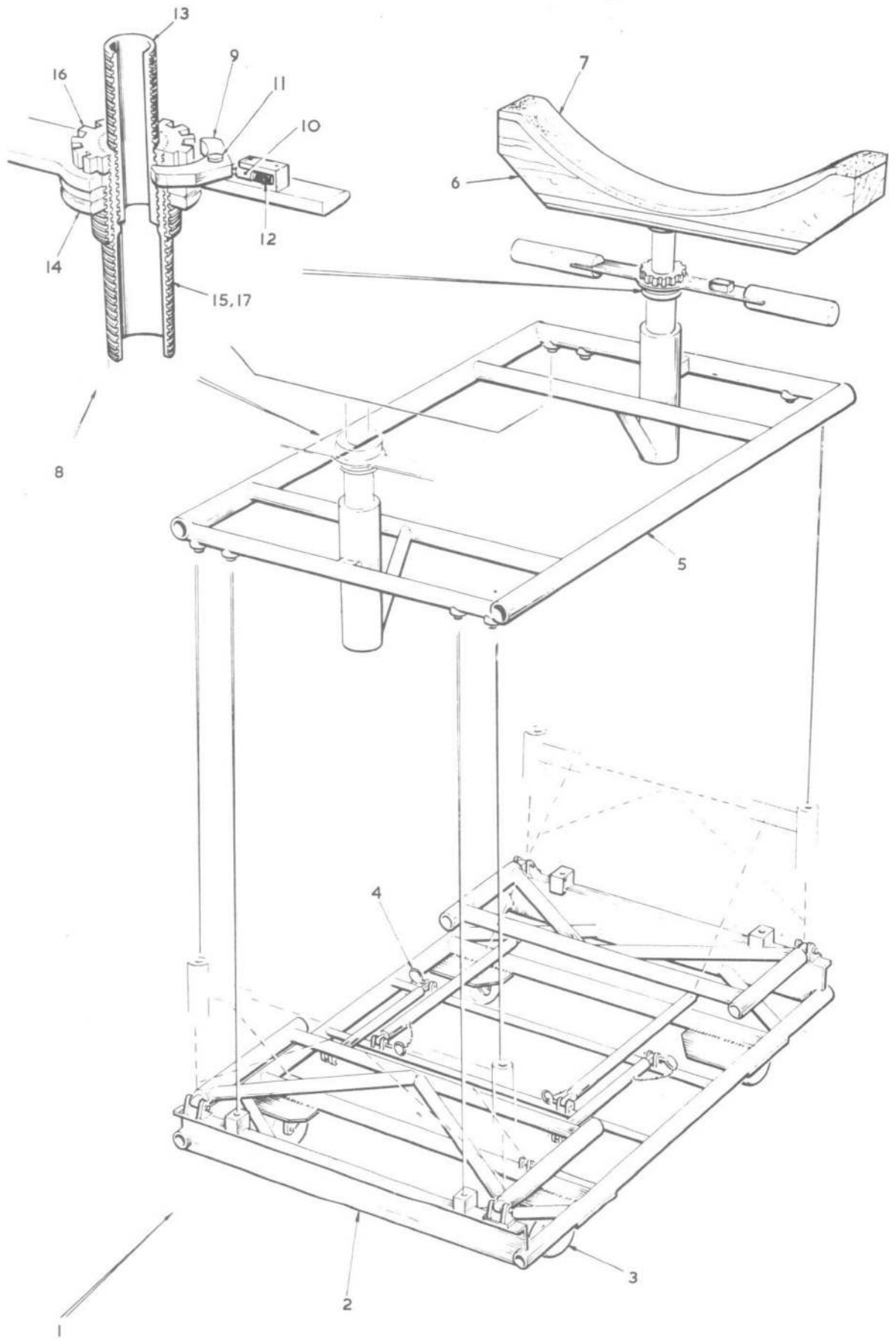


FIG.4I. GROUND EQUIPMENT
Restricted

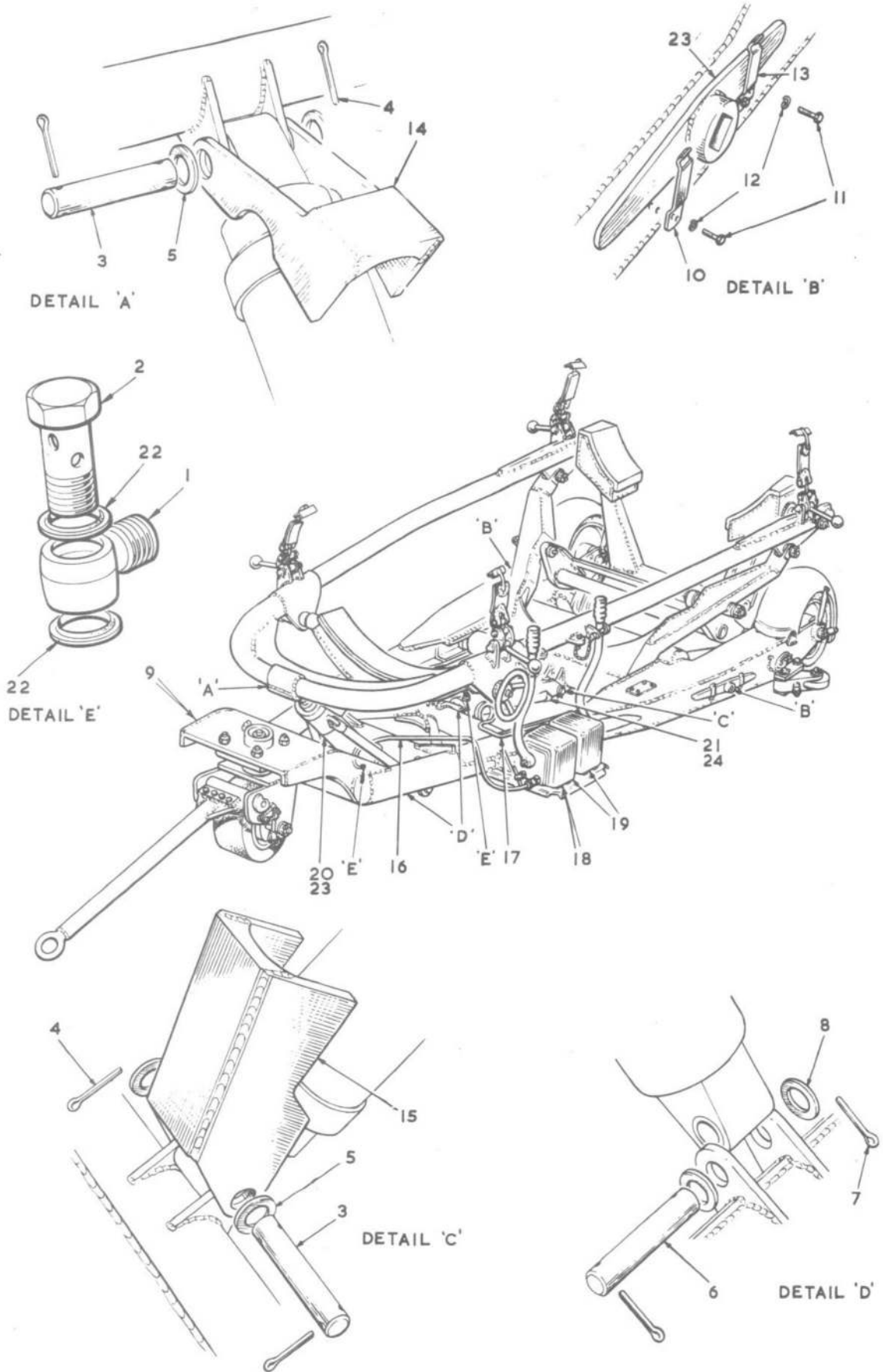


FIG.42. GROUND EQUIPMENT
Restricted

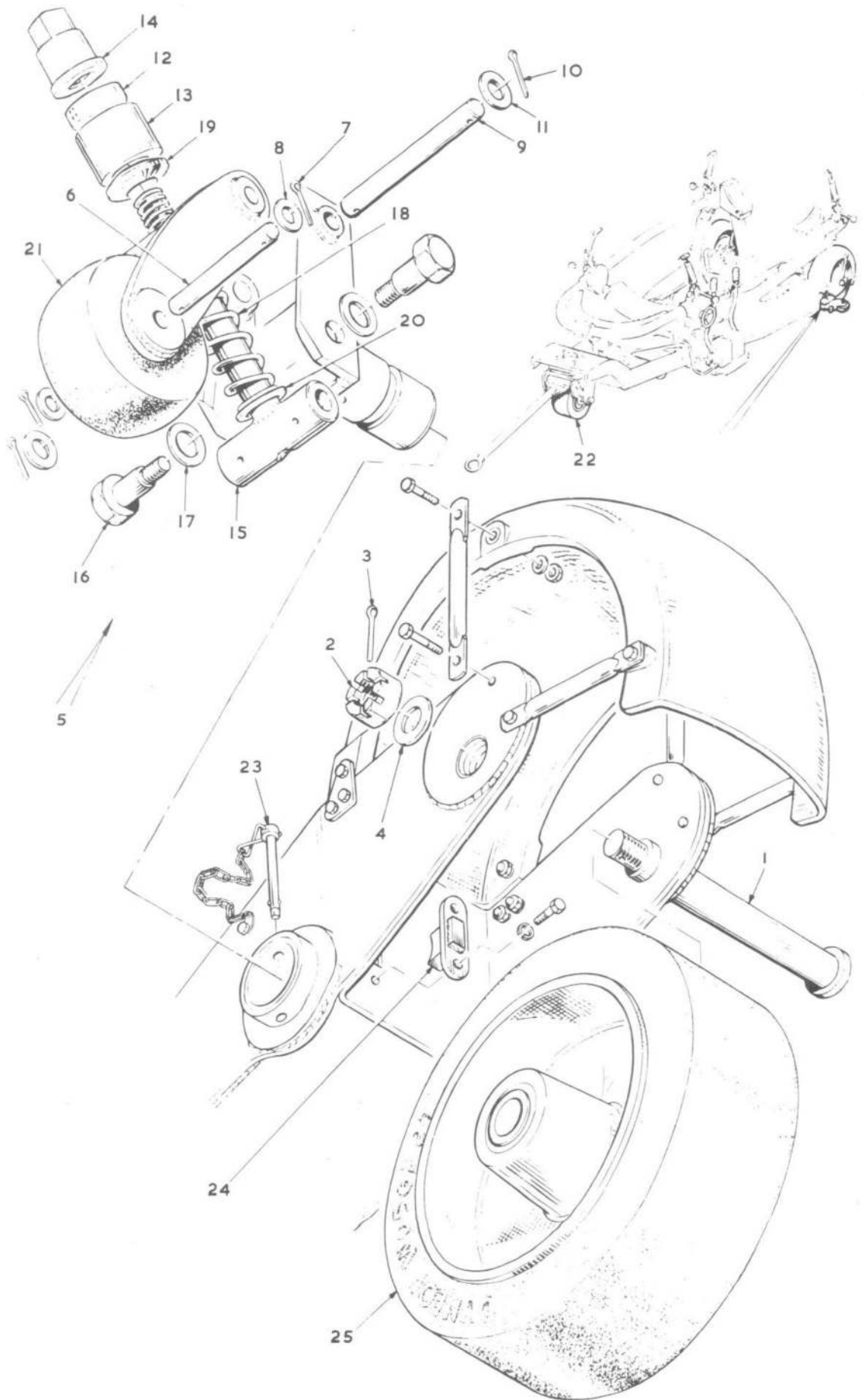


FIG.43. GROUND EQUIPMENT
Restricted

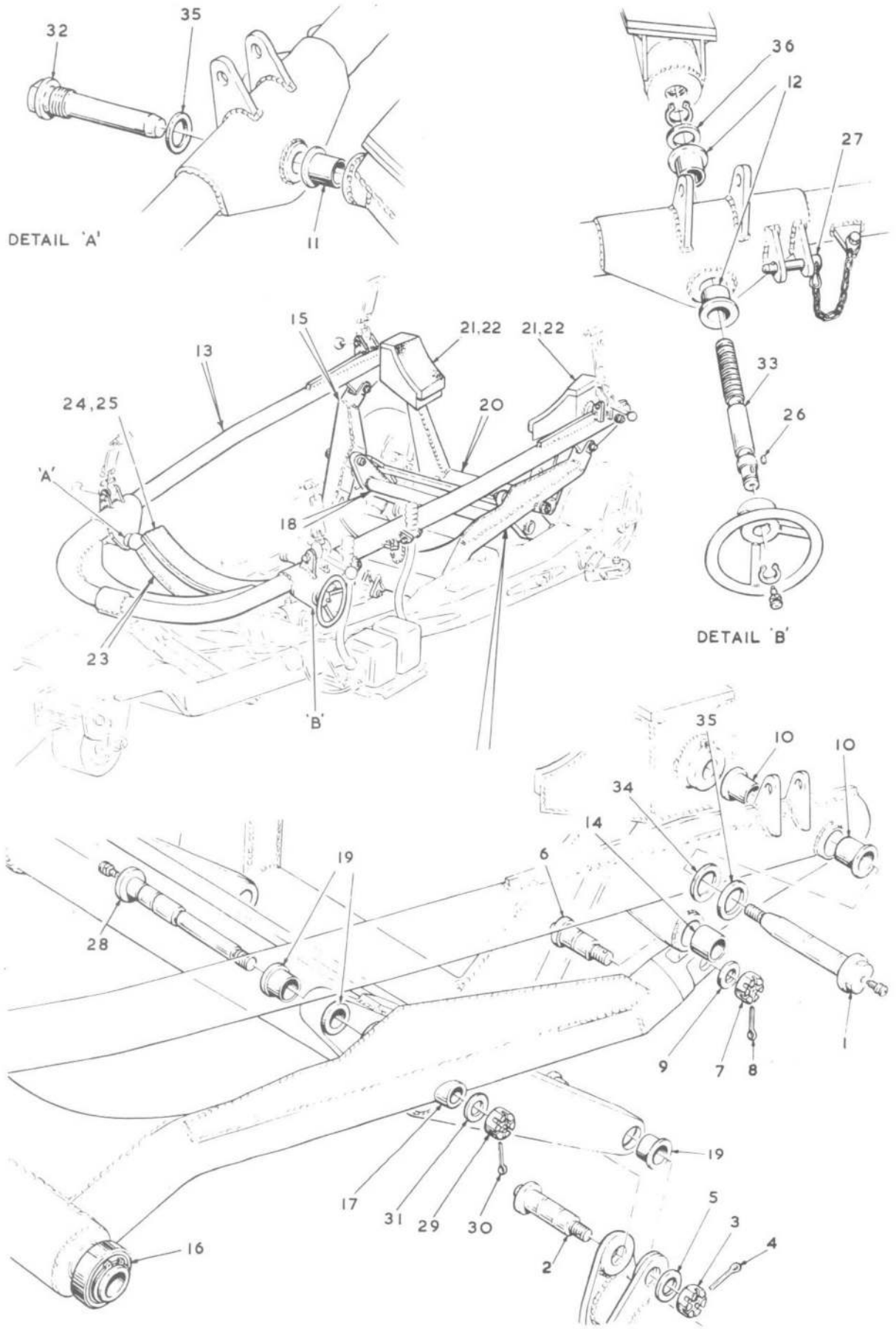


FIG.44. GROUND EQUIPMENT
Restricted

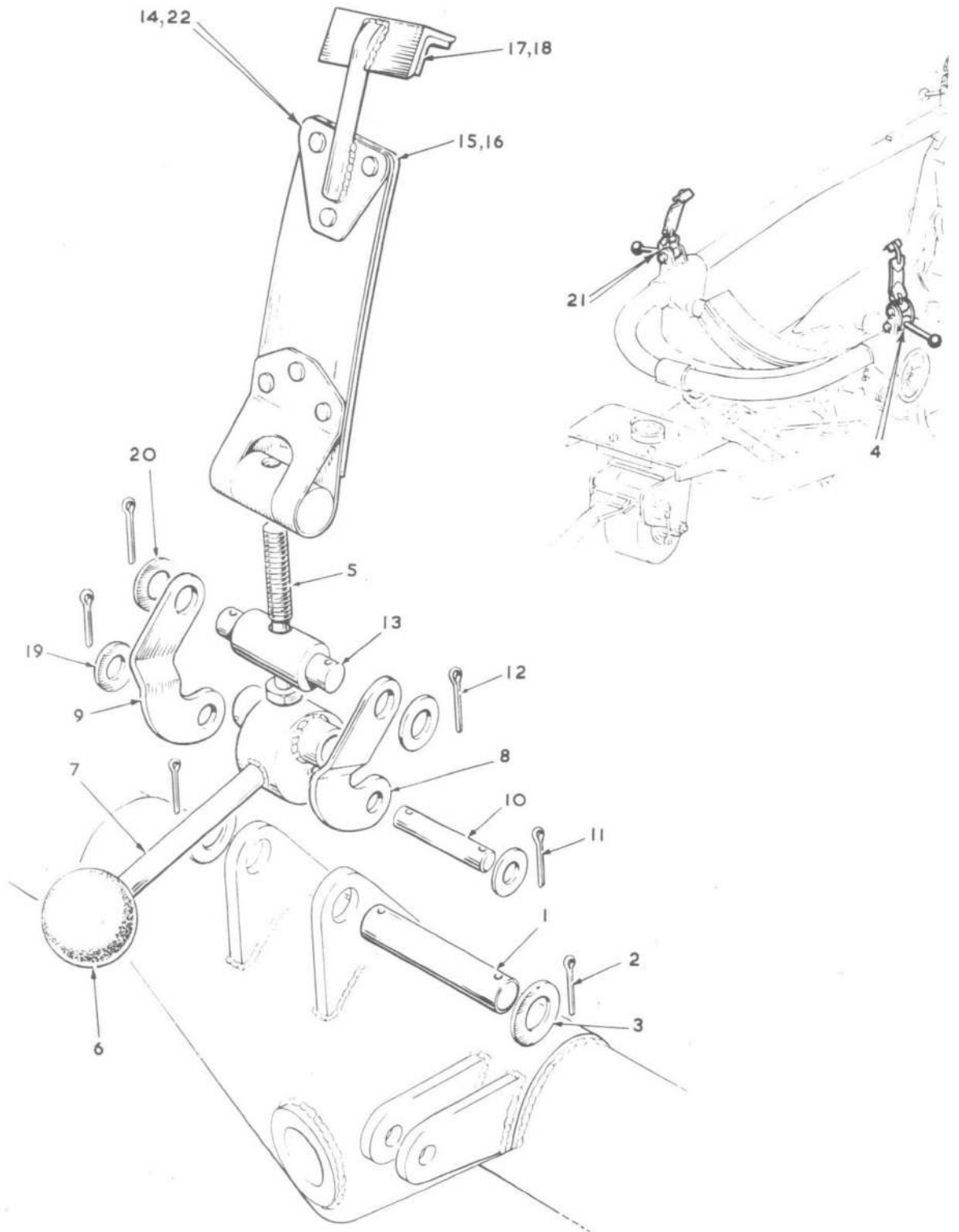


FIG.45. GROUND EQUIPMENT
Restricted

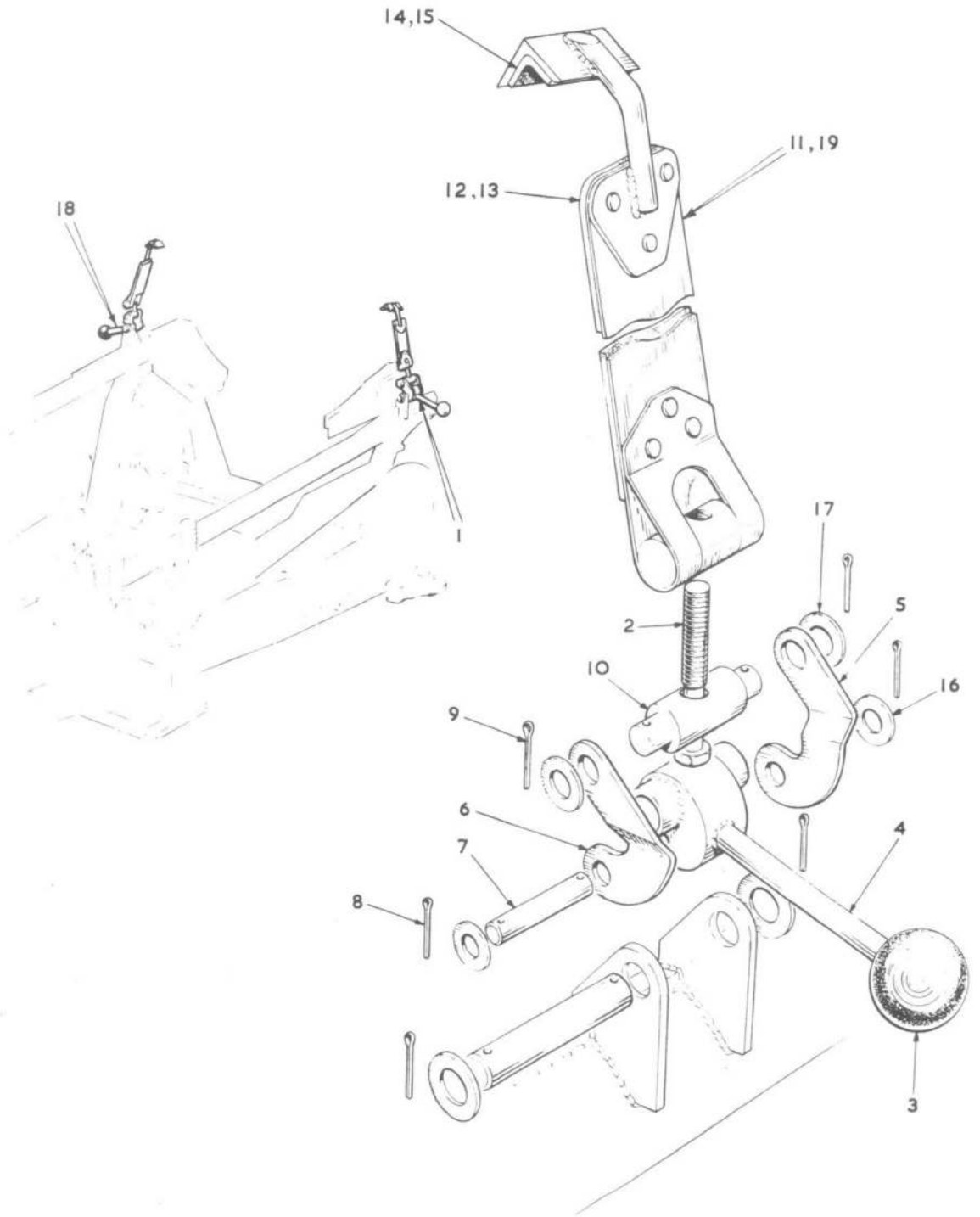


FIG.46. GROUND EQUIPMENT
Restricted

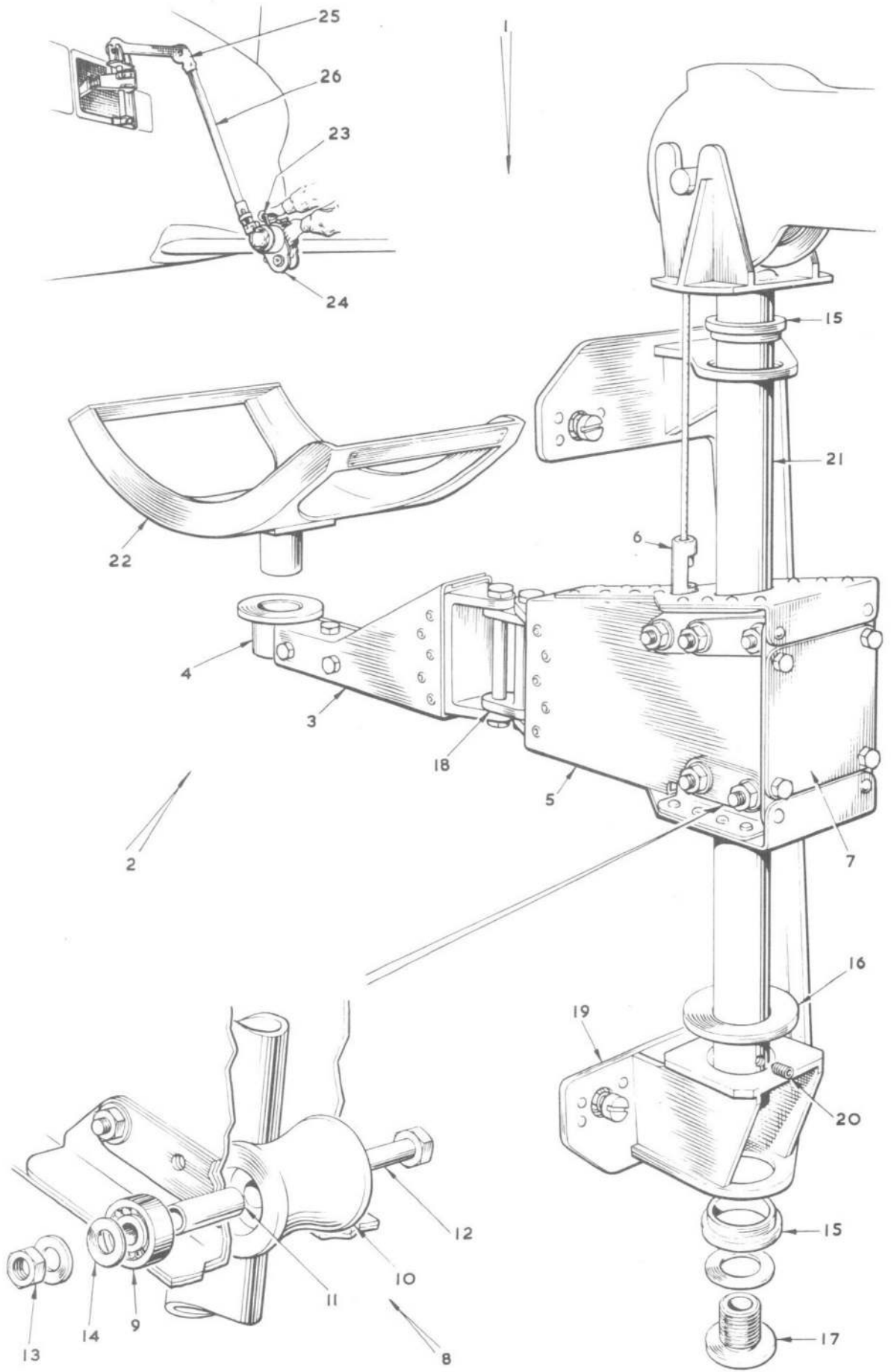


FIG.47. GROUND EQUIPMENT
Restricted

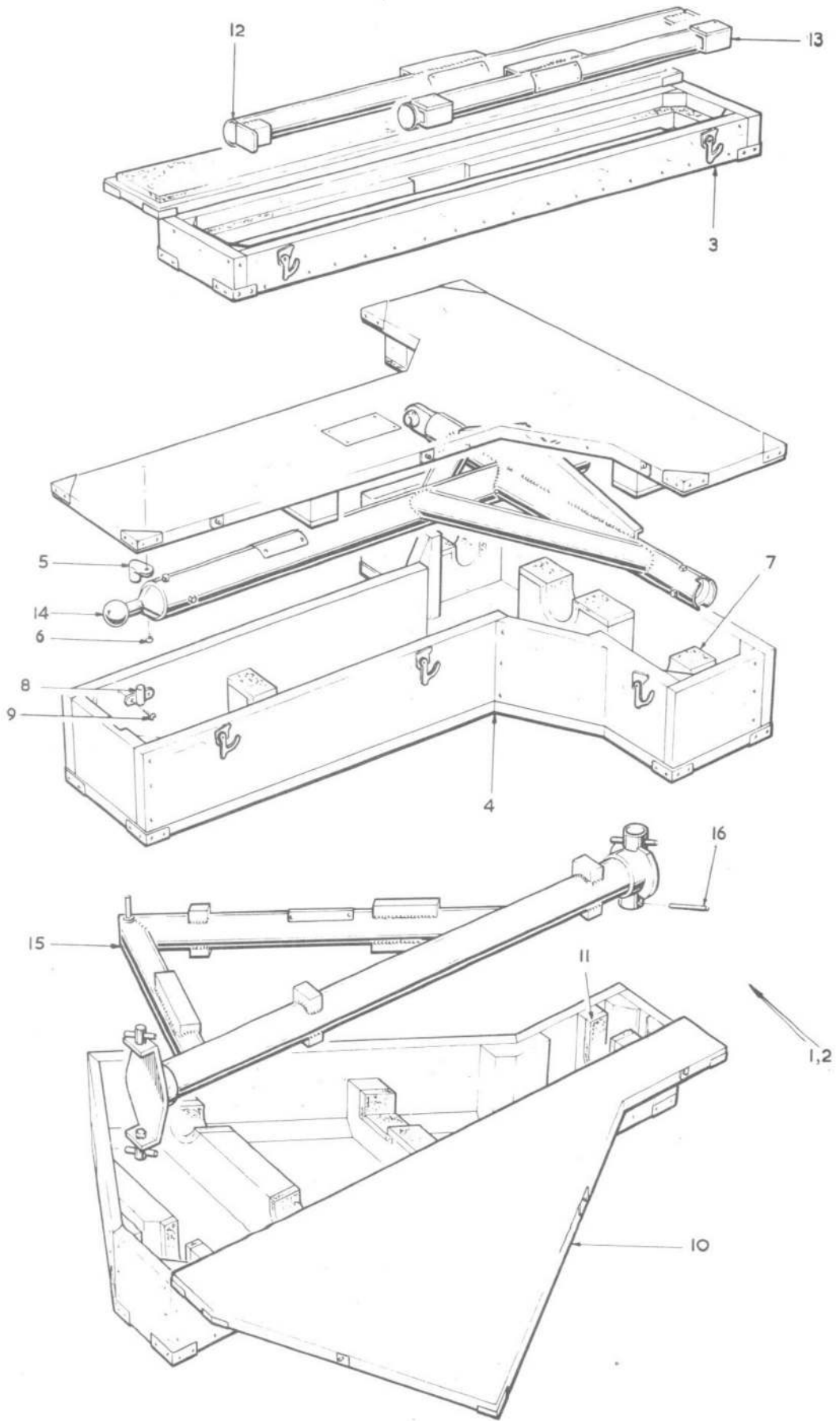


FIG. 48. GROUND EQUIPMENT
Restricted

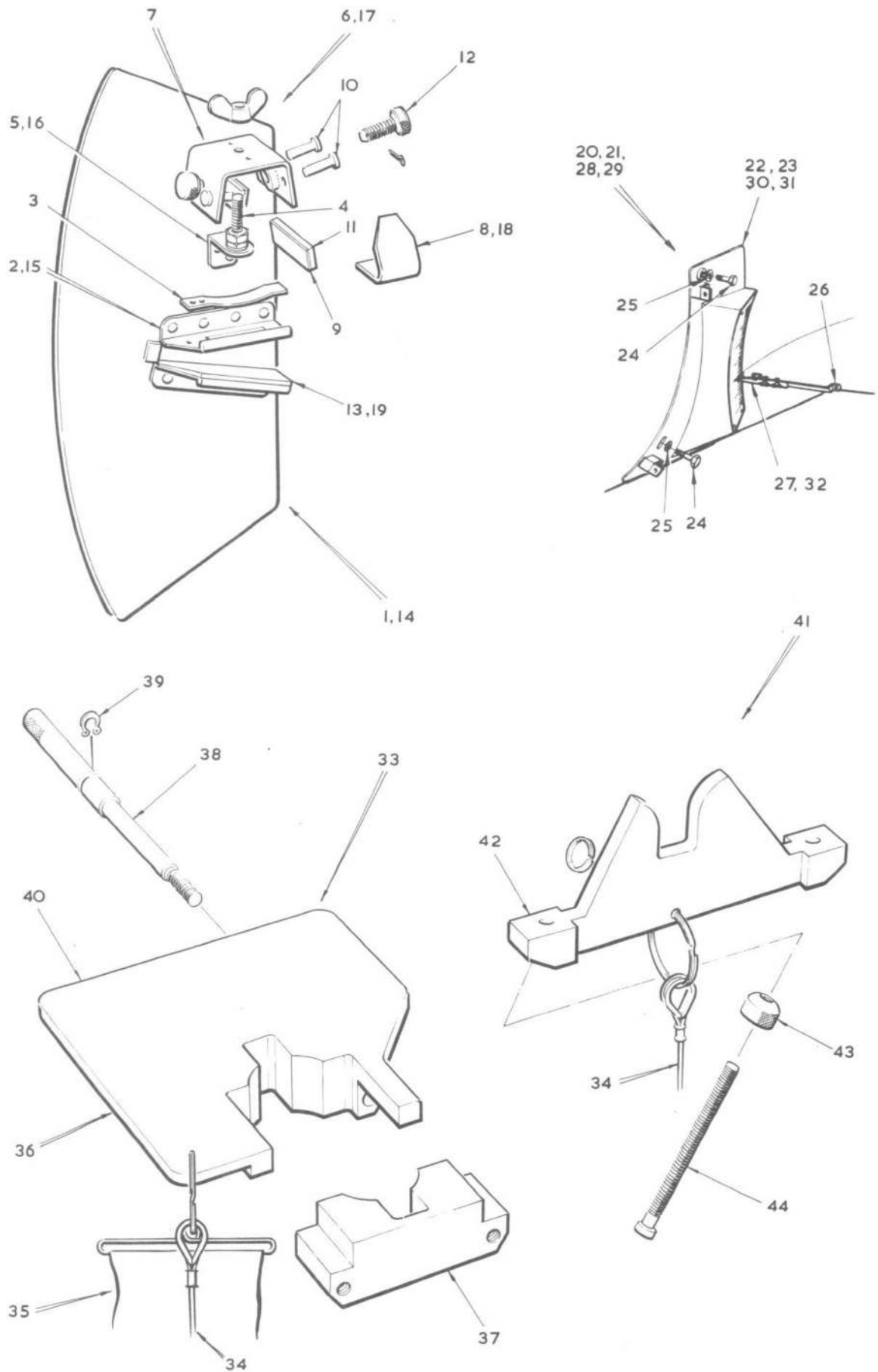


FIG. 49. GROUND EQUIPMENT
Restricted

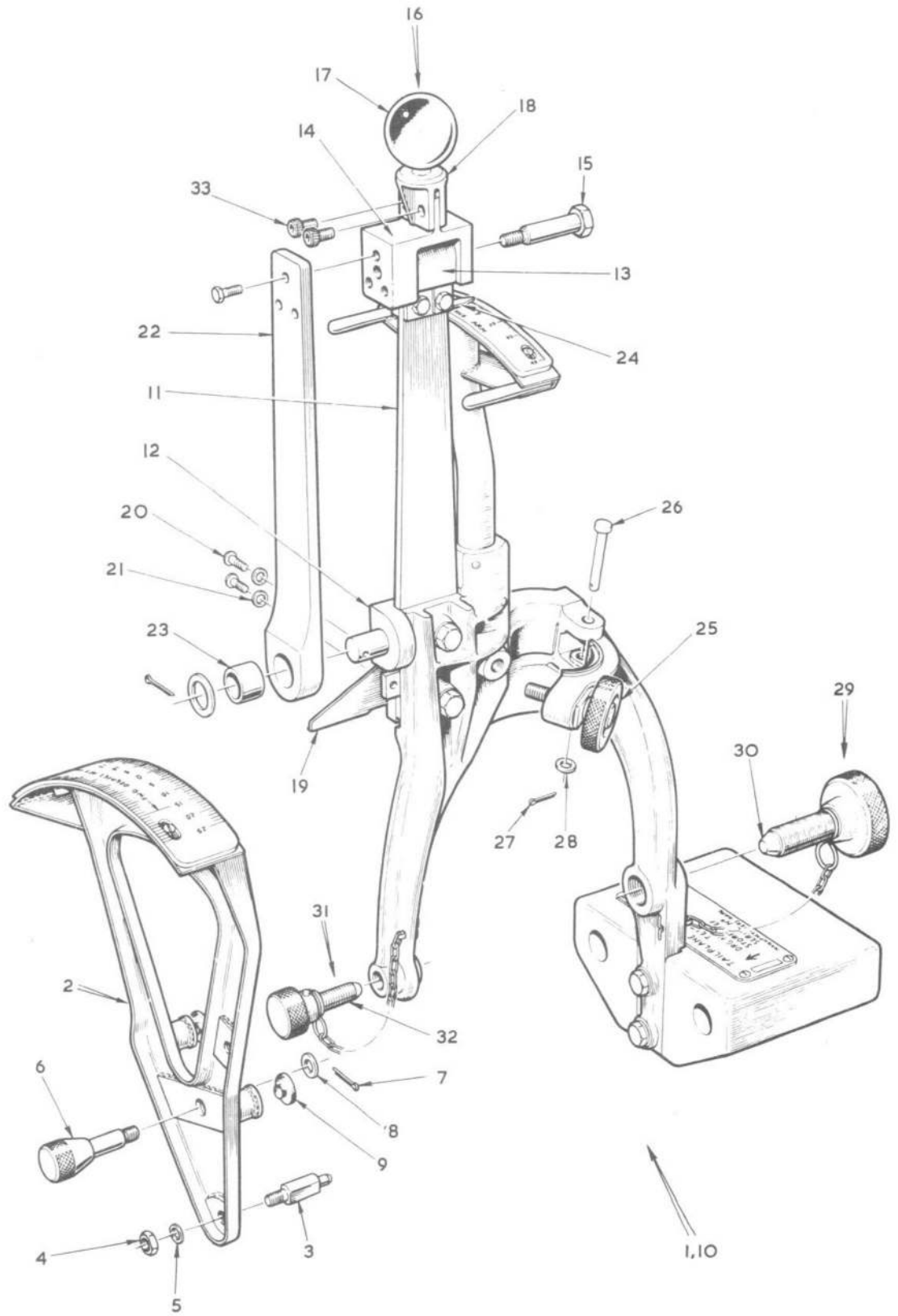


FIG.50. GROUND EQUIPMENT
Restricted

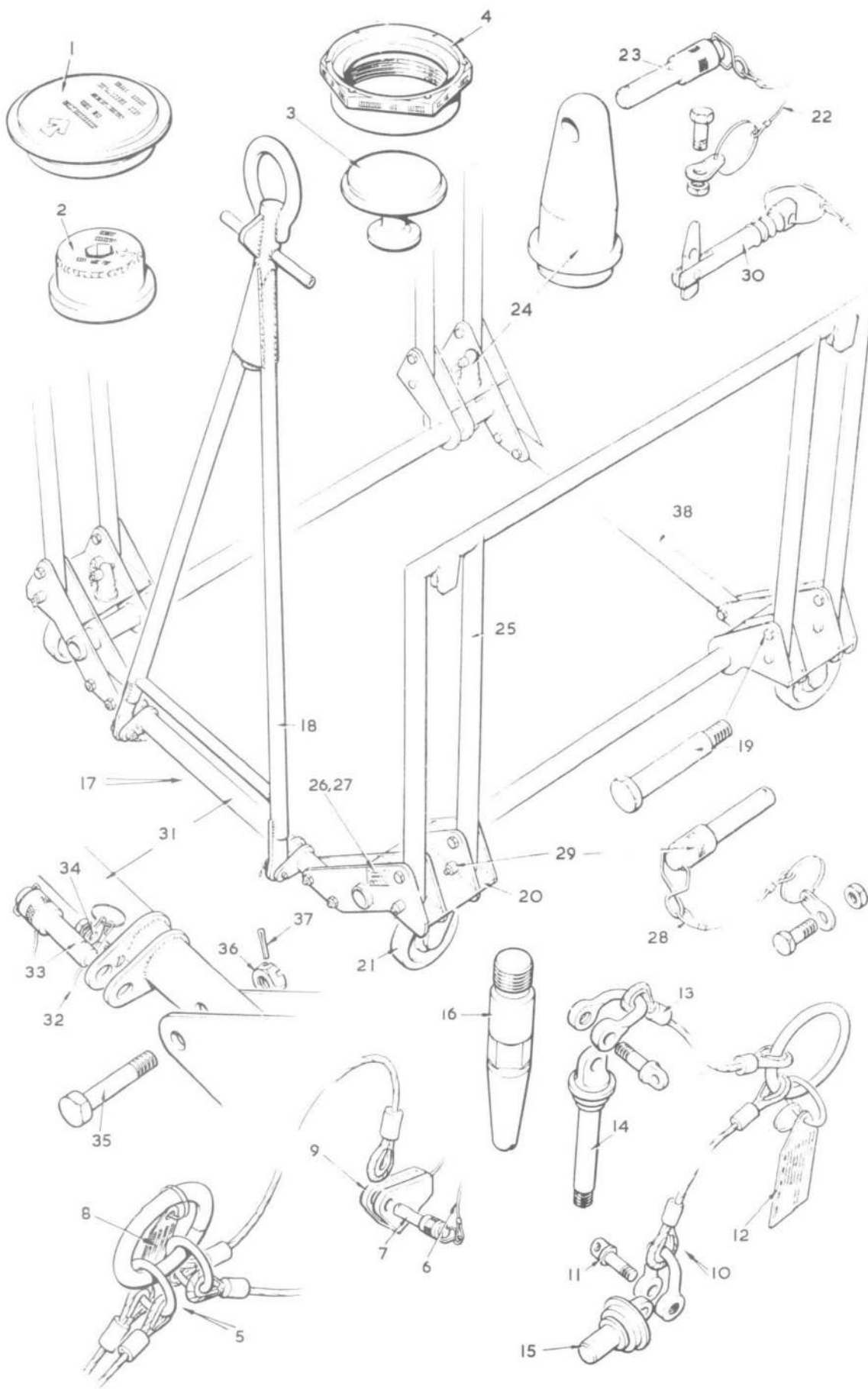


FIG. 51. GROUND EQUIPMENT
Restricted

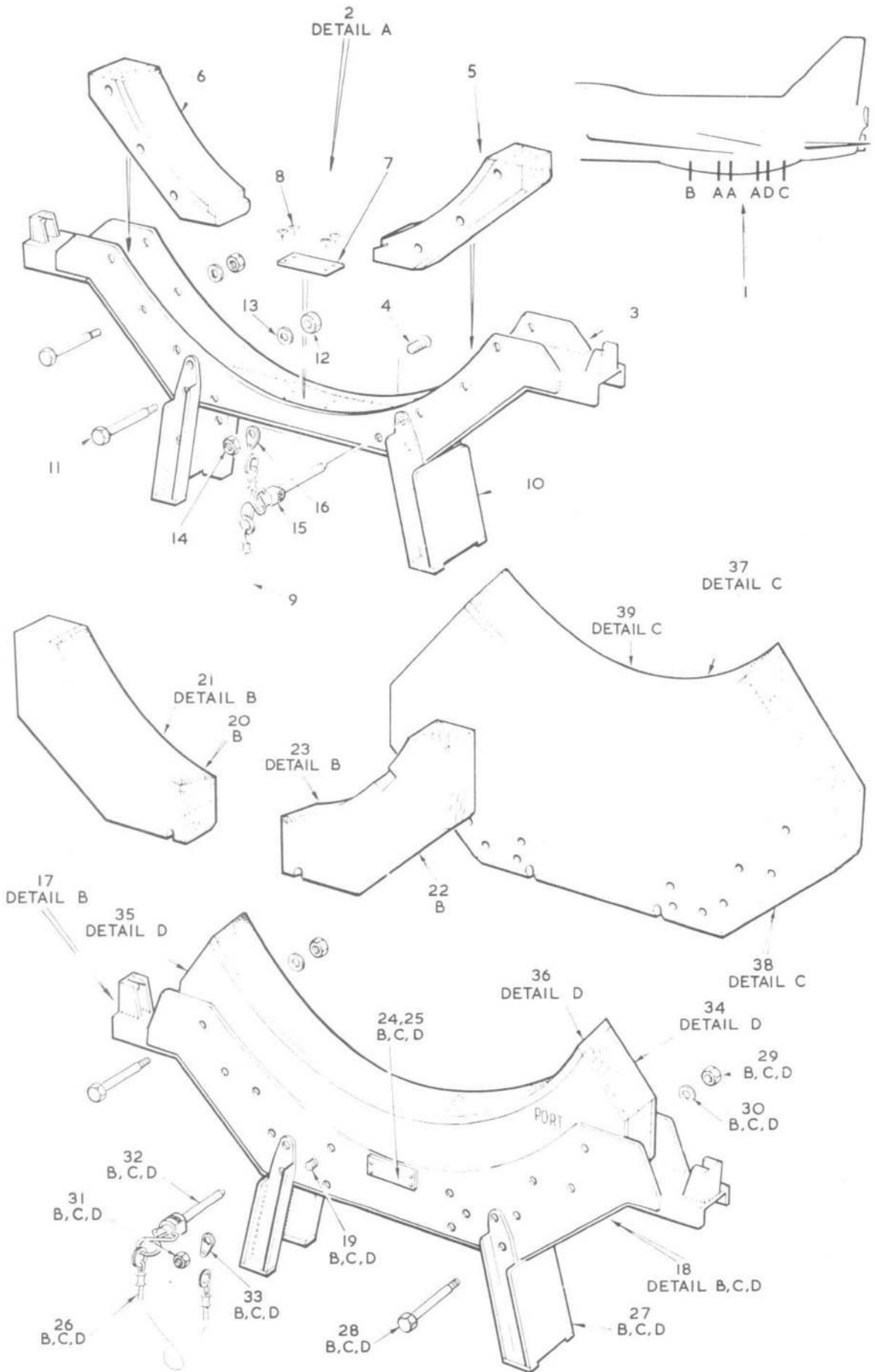


FIG.52. GROUND EQUIPMENT
Restricted

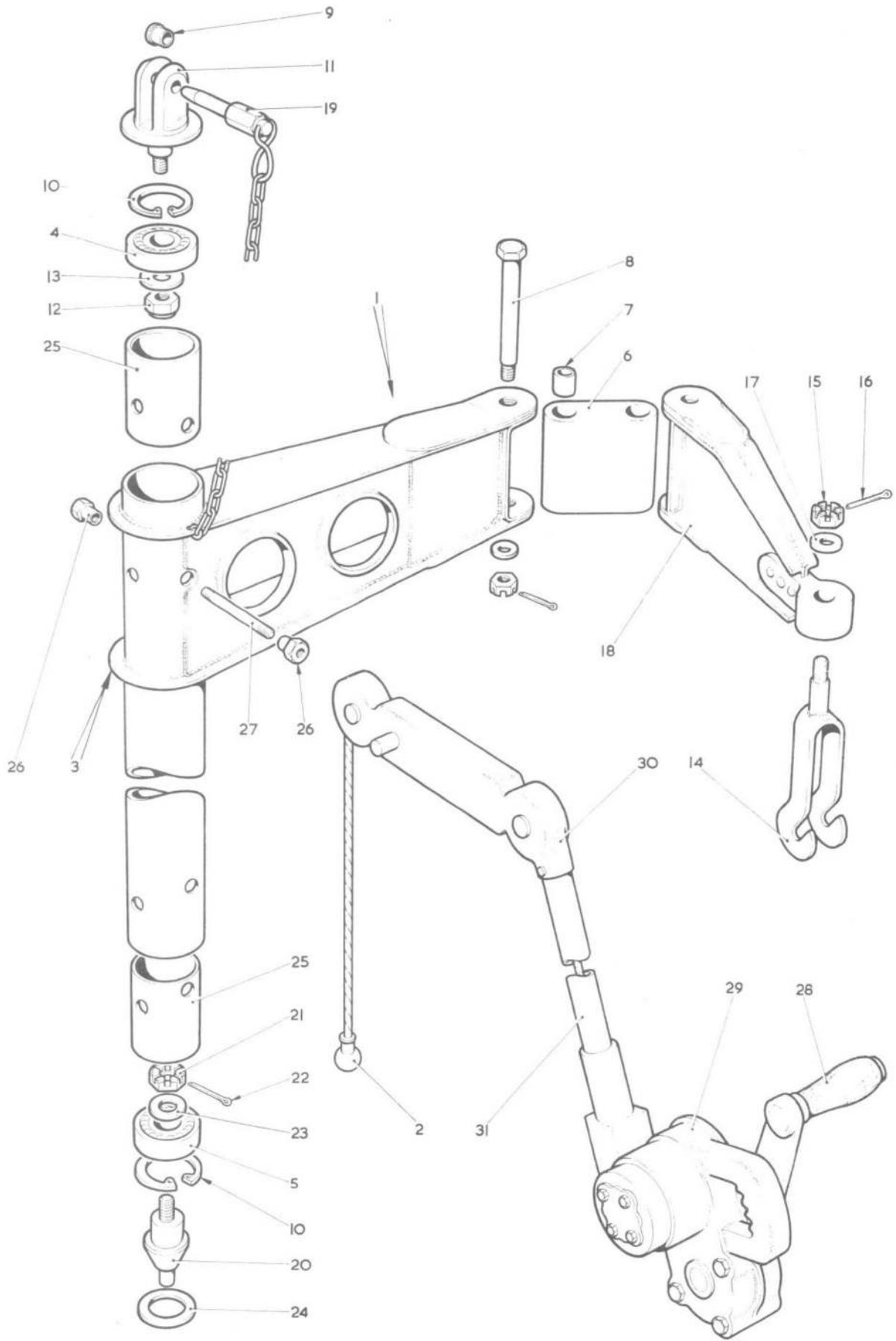


FIG.54 EQUIPMENT ANCILLARY,GROUND EQUIPMENT
Restricted

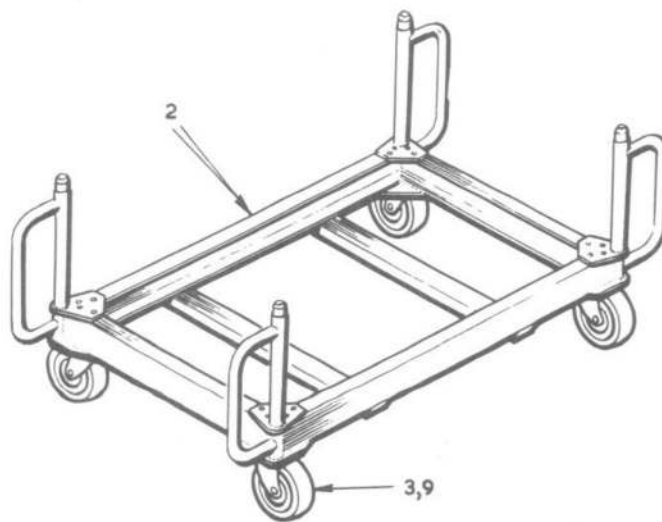
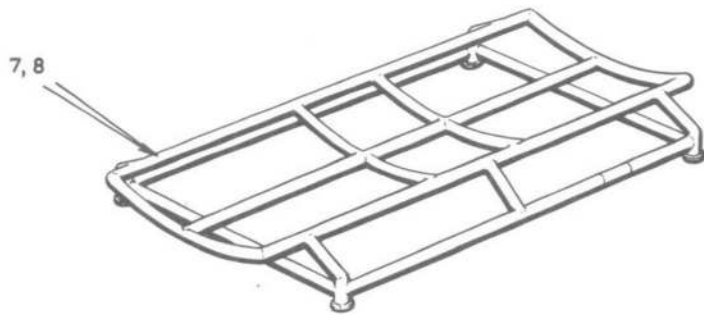
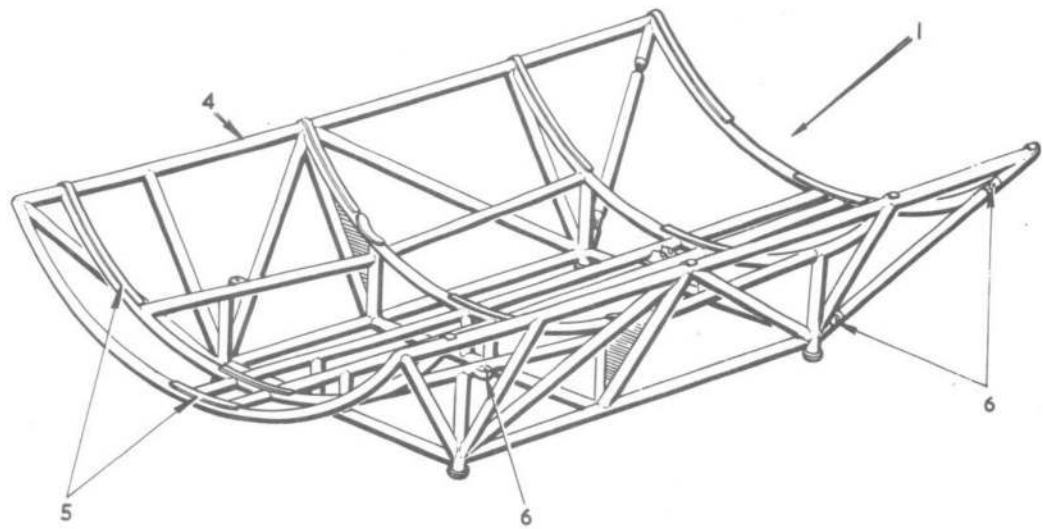


FIG. 55. GROUND EQUIPMENT
Restricted

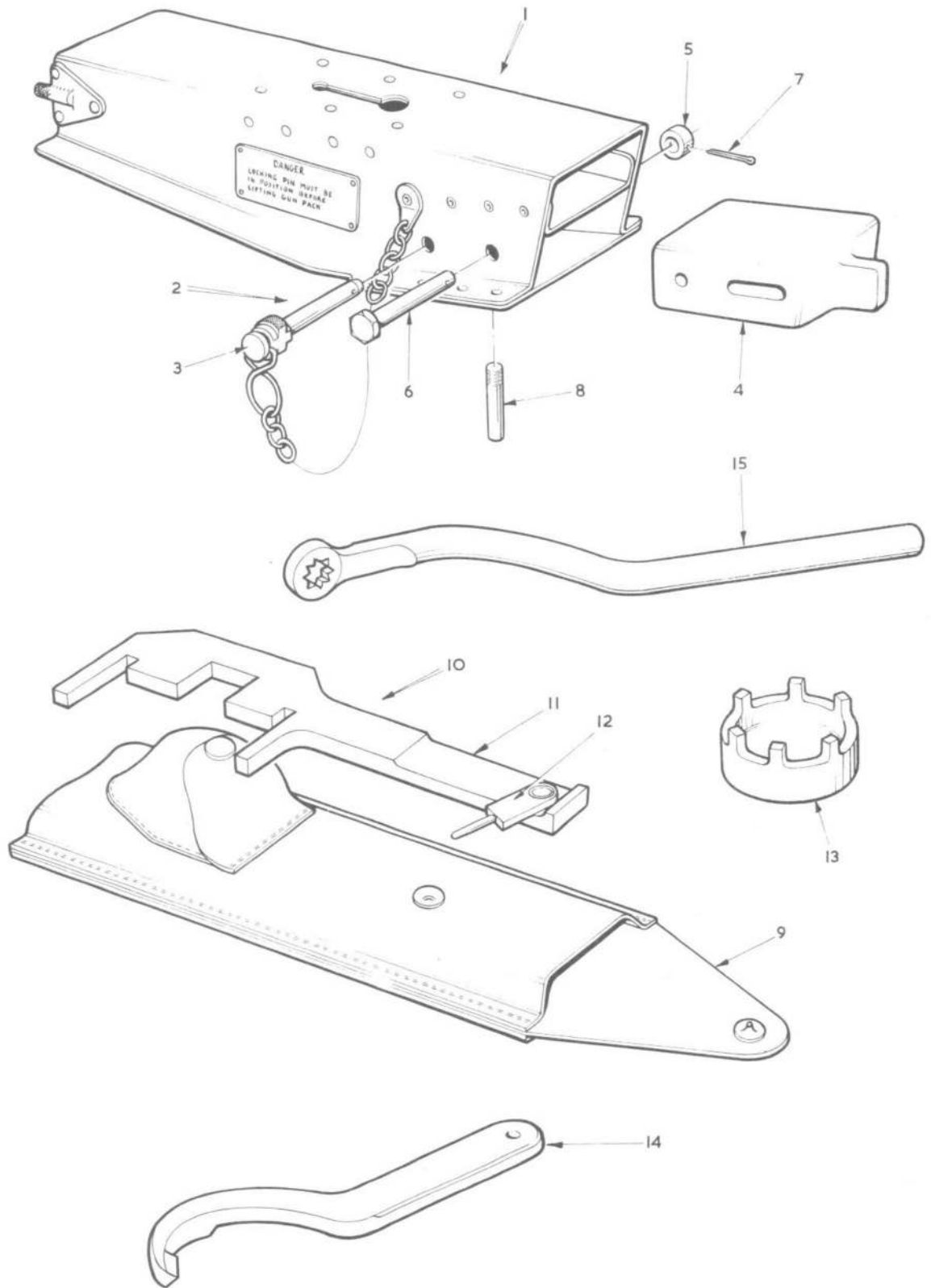


FIG.56. GROUND EQUIPMENT.

Restricted

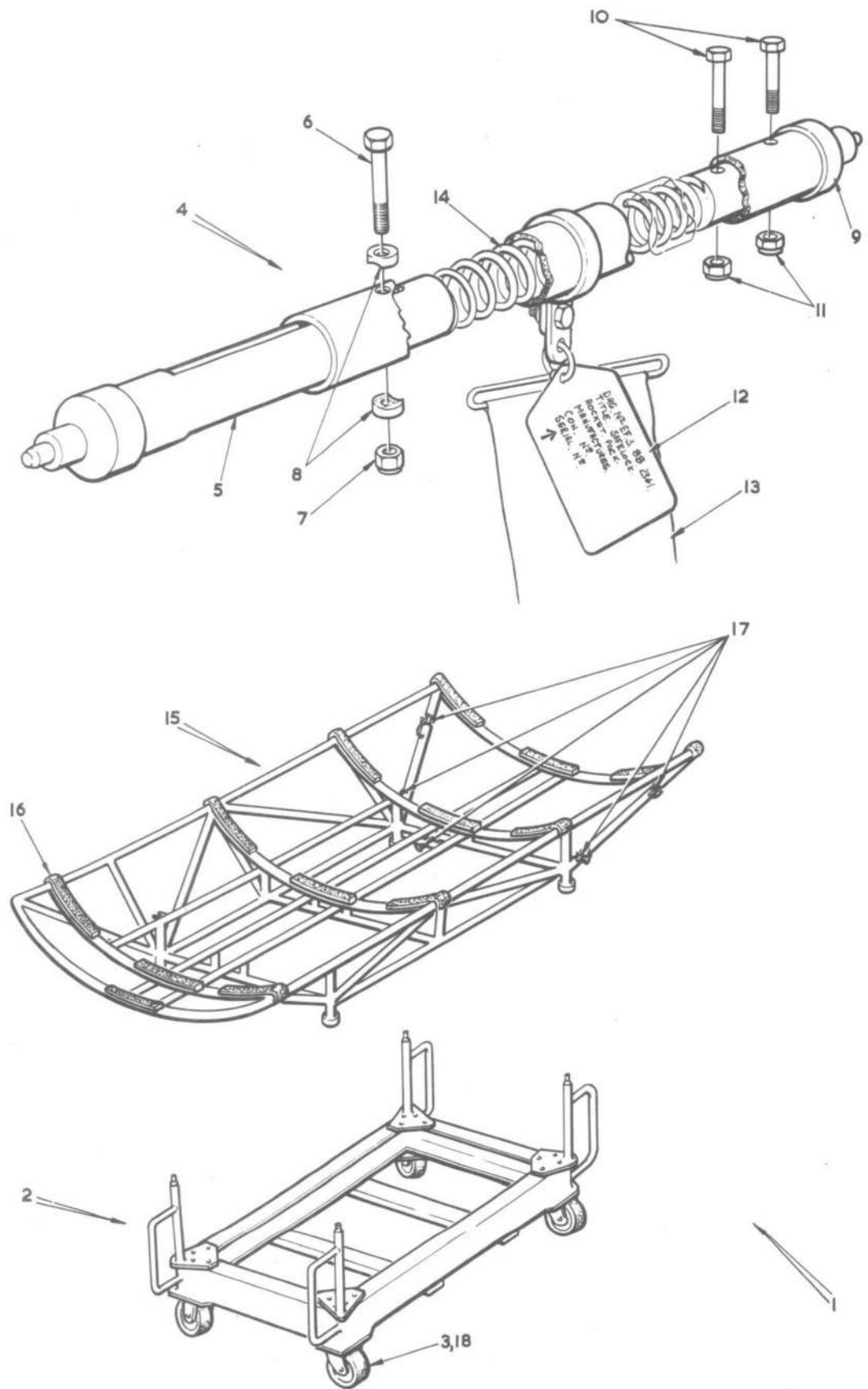


FIG. 57. ANCILLARY GROUND EQUIPMENT
Restricted

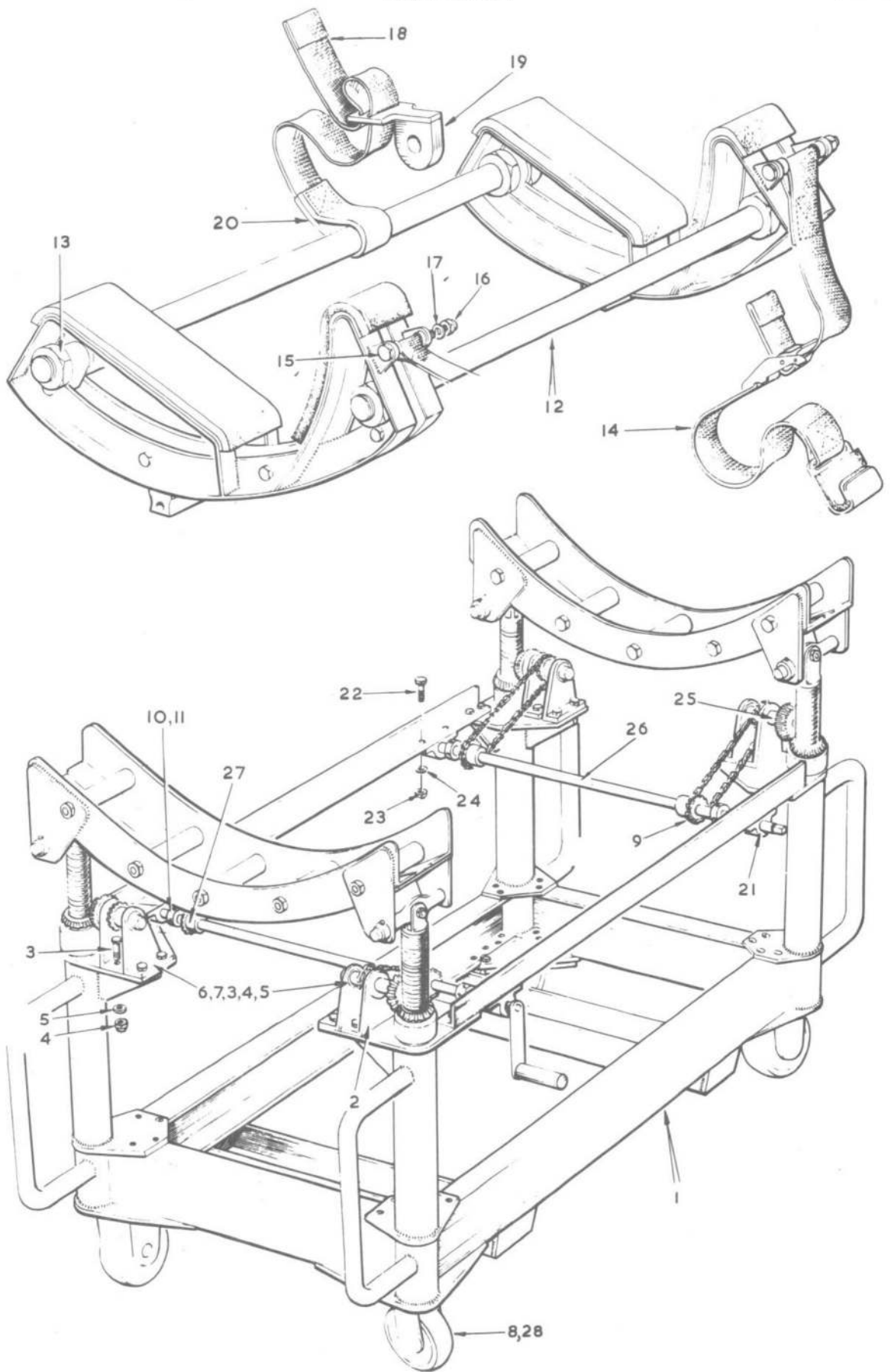


FIG.58. GROUND EQUIPMENT
Restricted

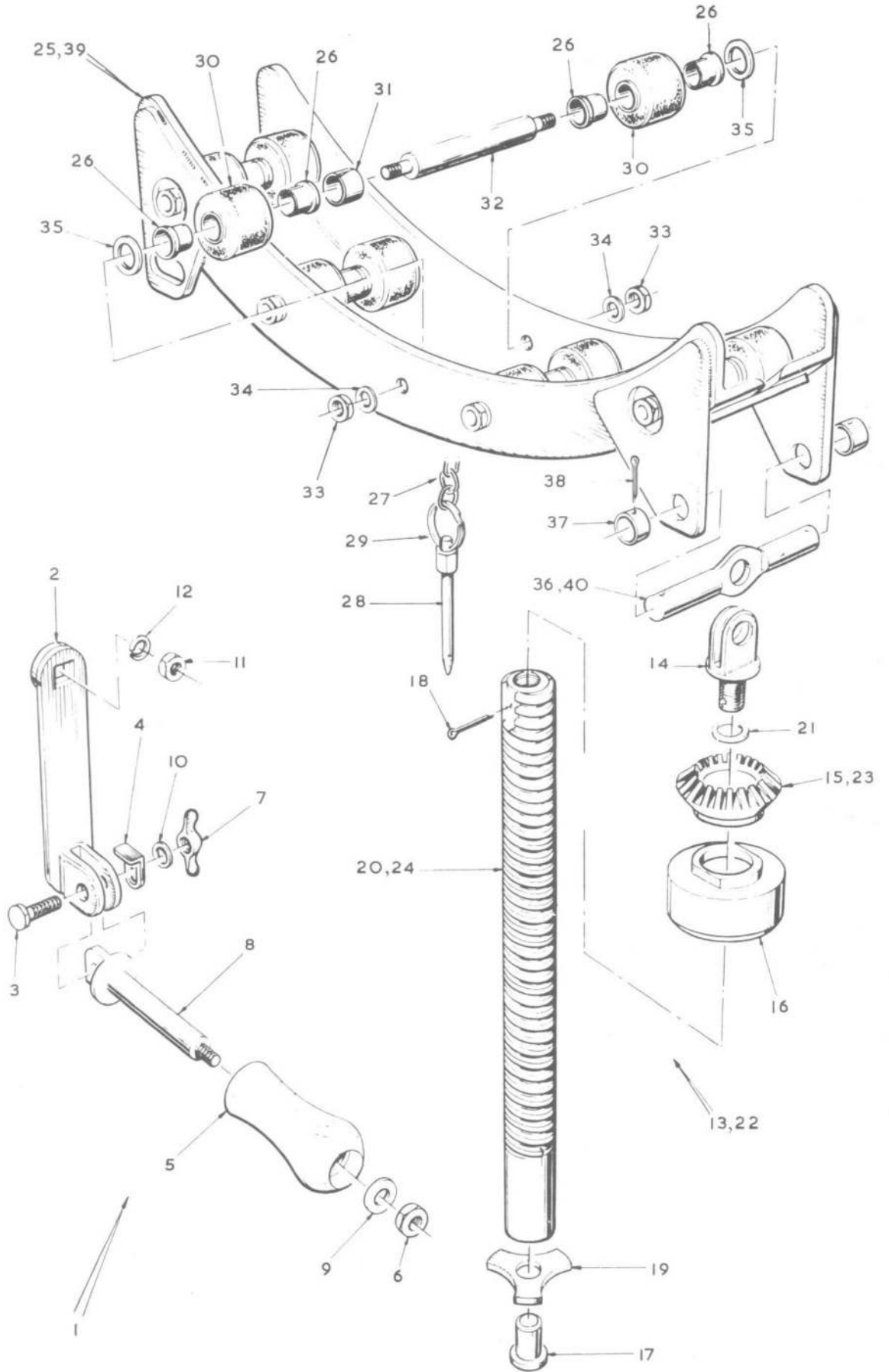


FIG. 59. GROUND EQUIPMENT
Restricted

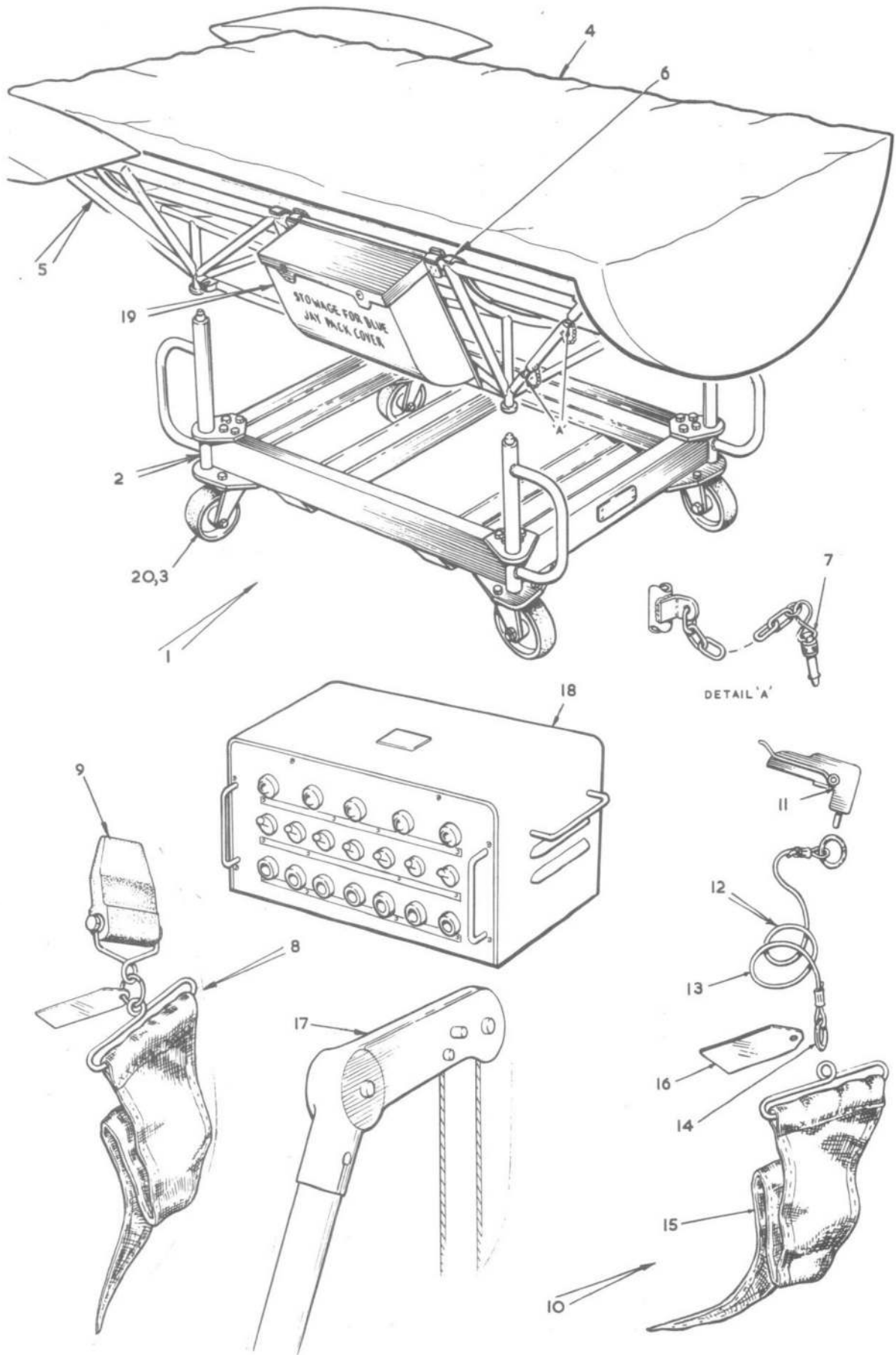


FIG. 60. GROUND EQUIPMENT
Restricted

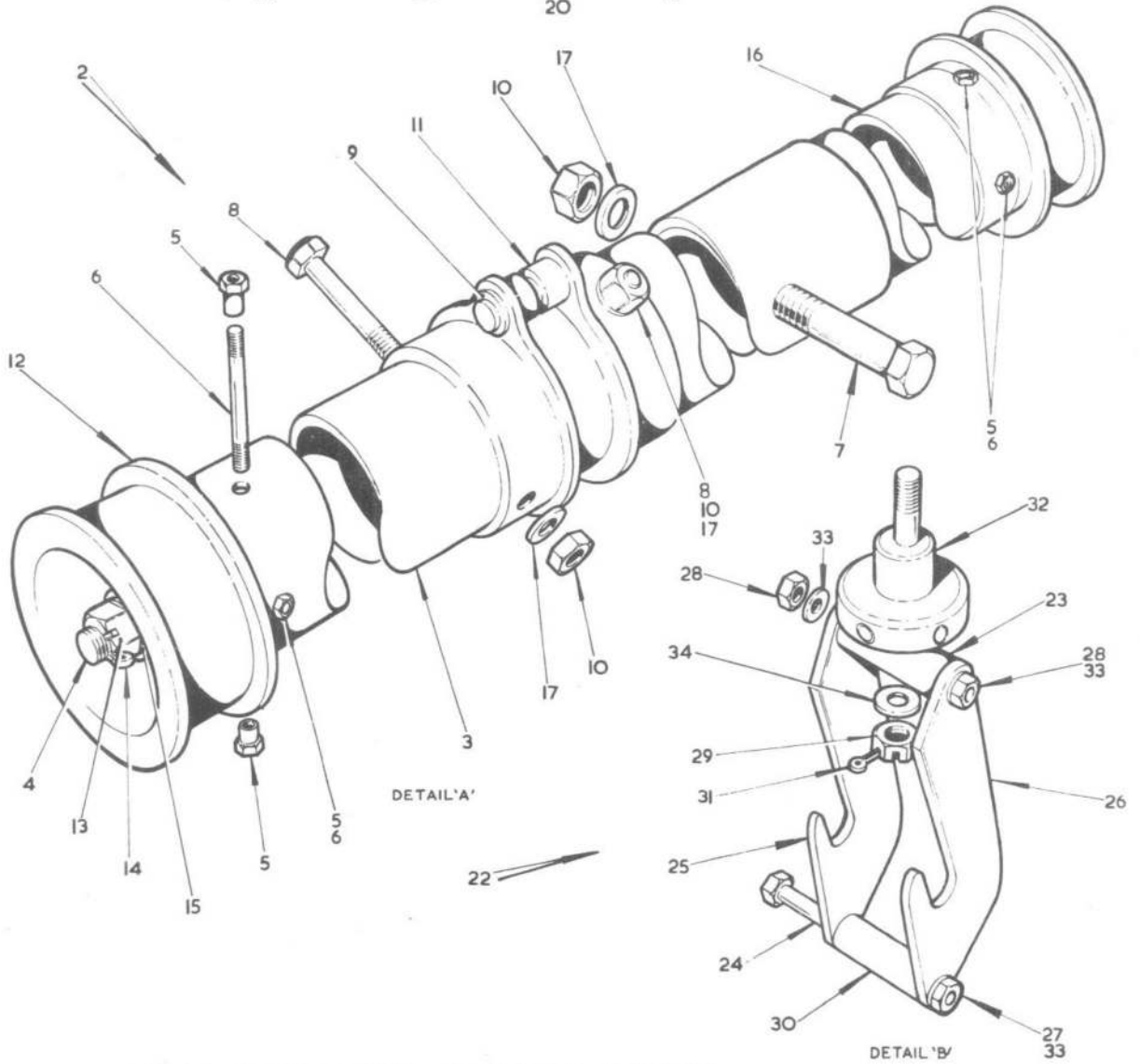
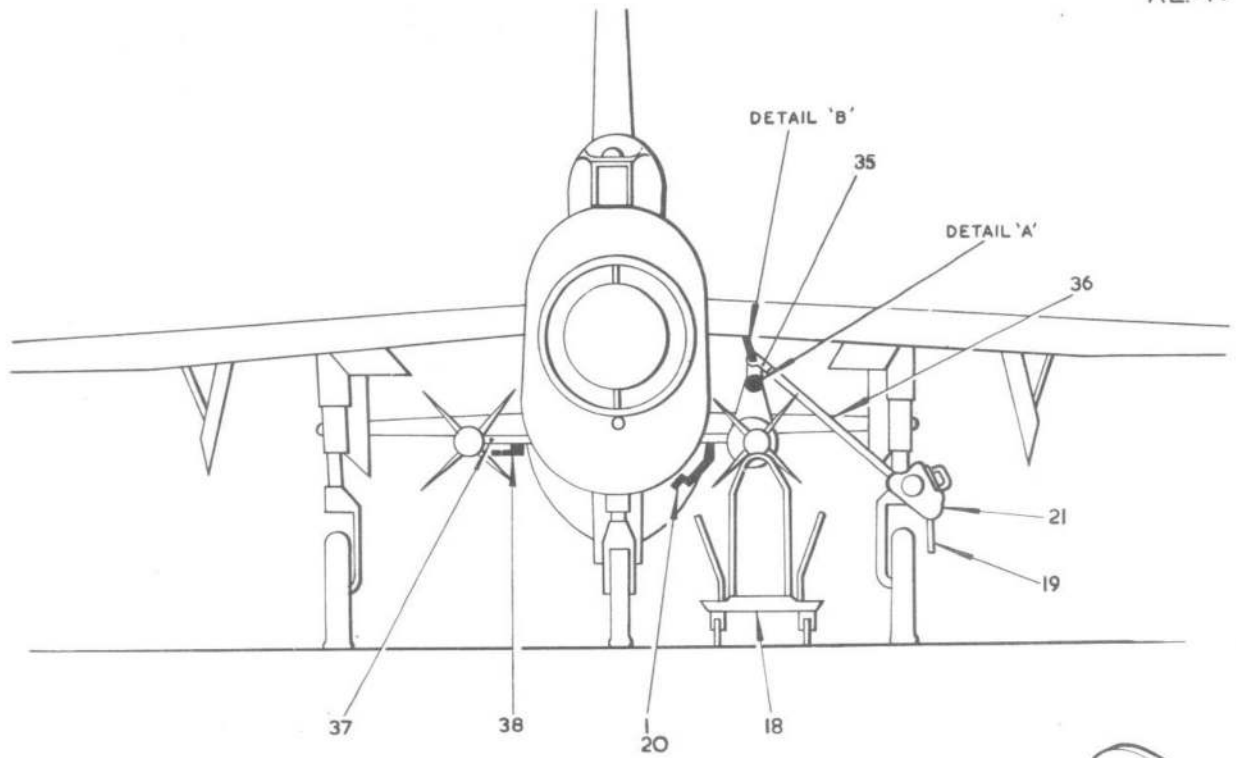


FIG 61. INSTALLATION, FIRESTREAK MISSILE
Restricted

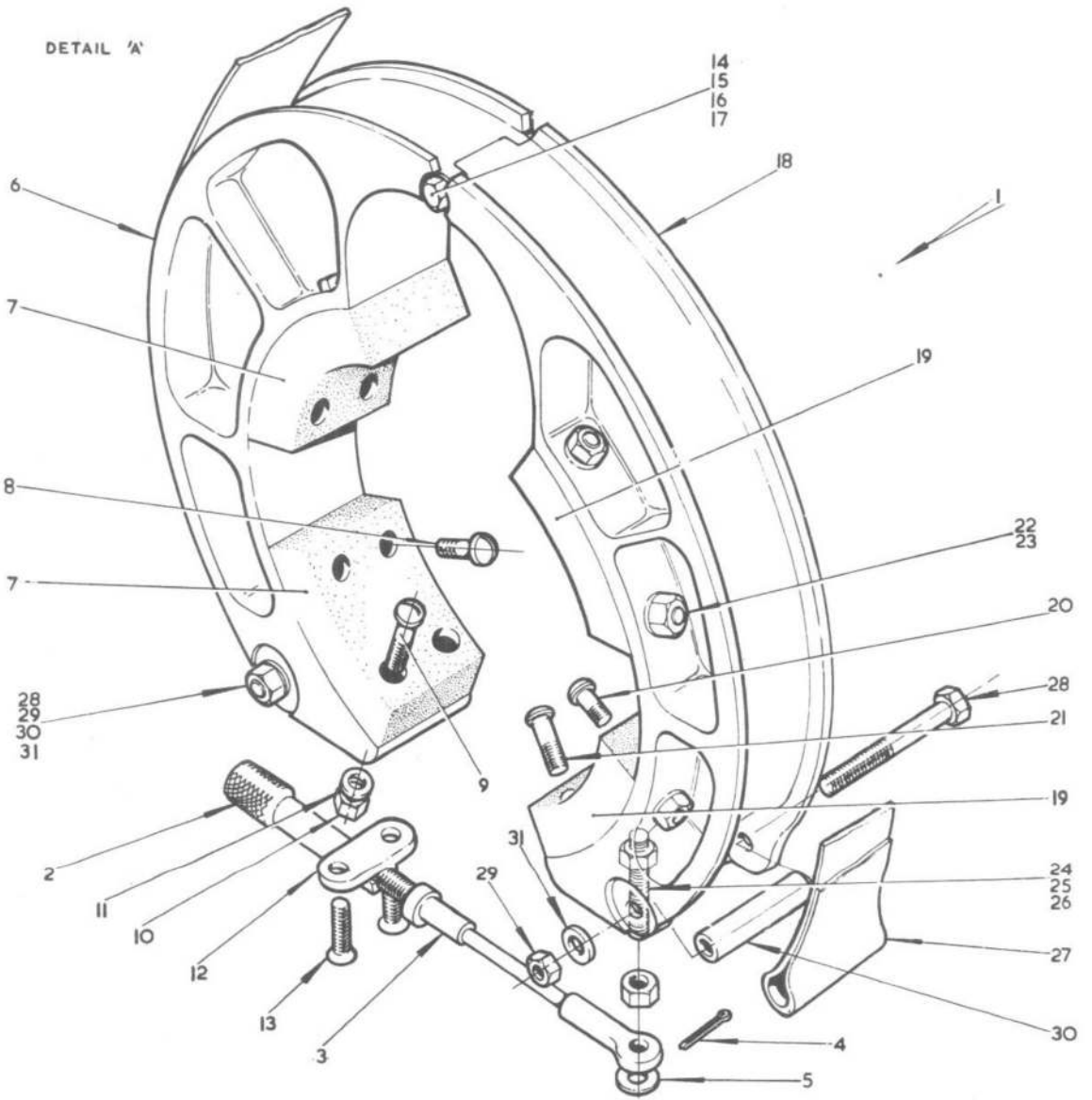
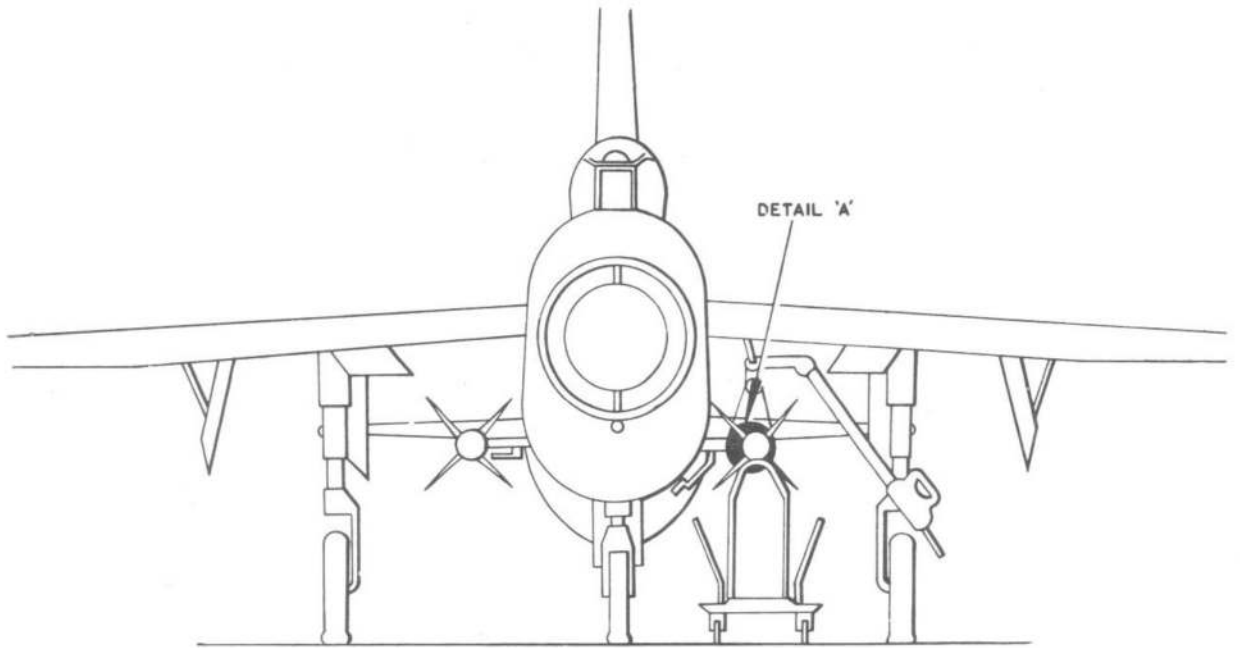


FIG 62. INSTALLATION, FIRESTREAK MISSILE.
Restricted

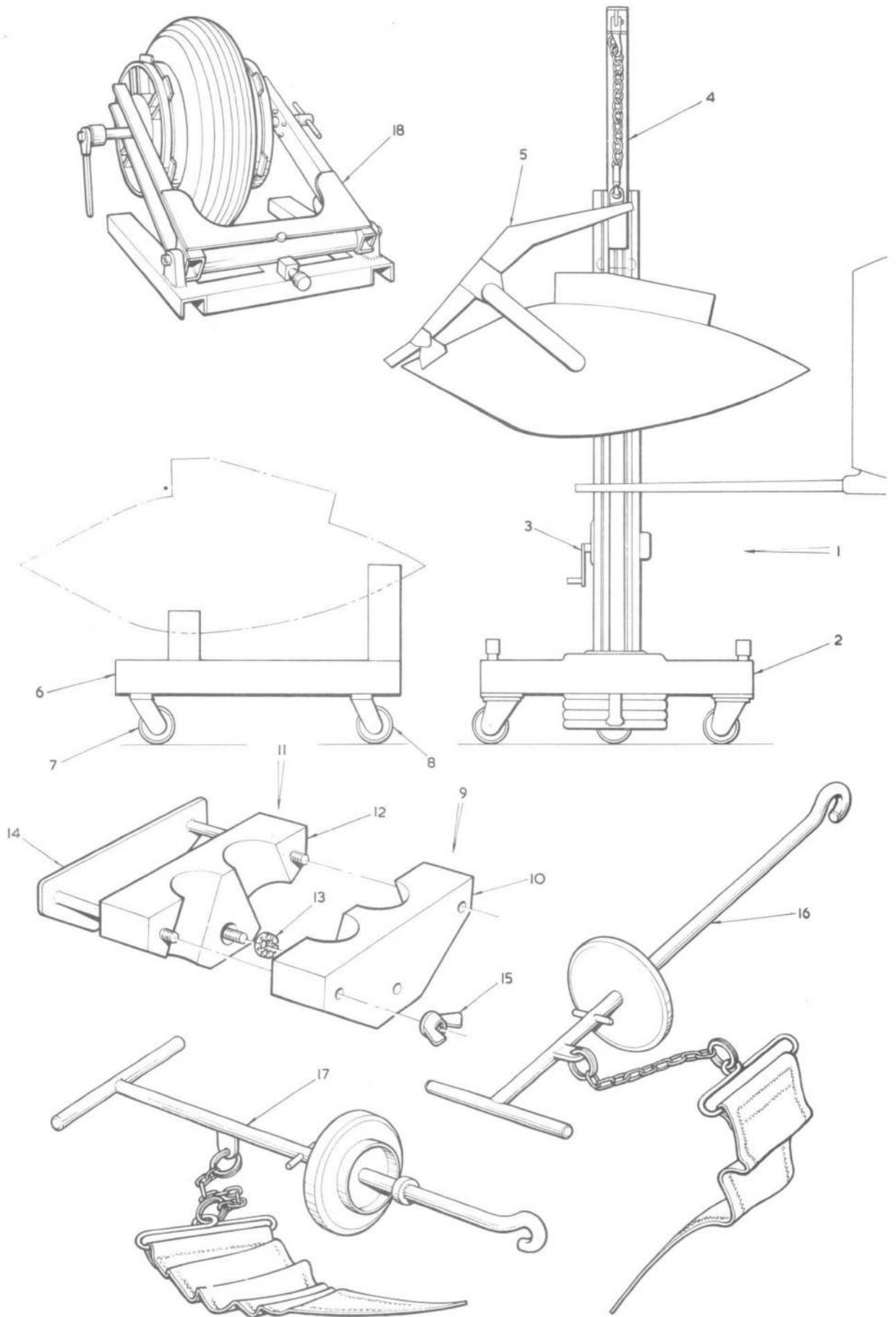


FIG.63. GROUND EQUIPMENT
Restricted

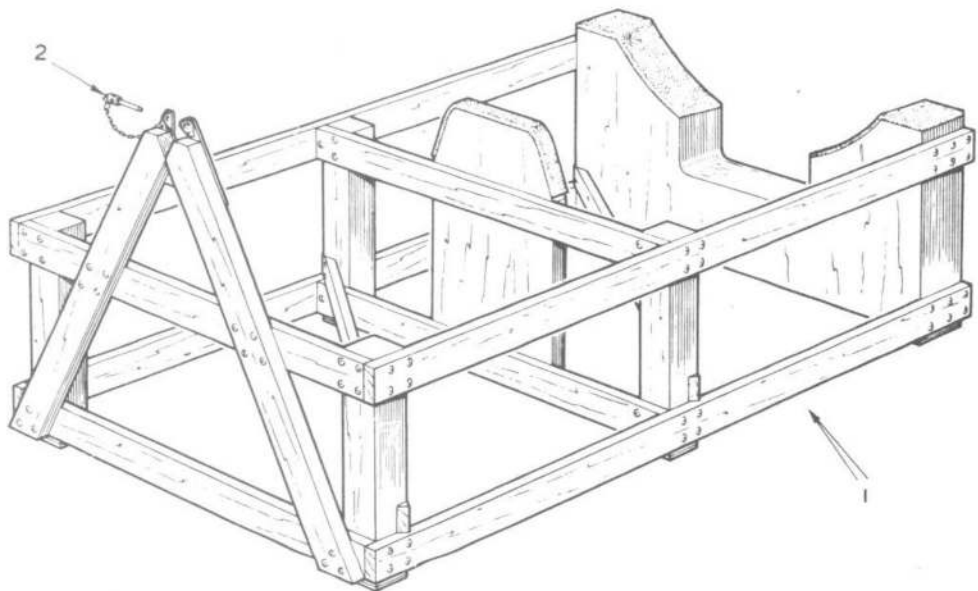
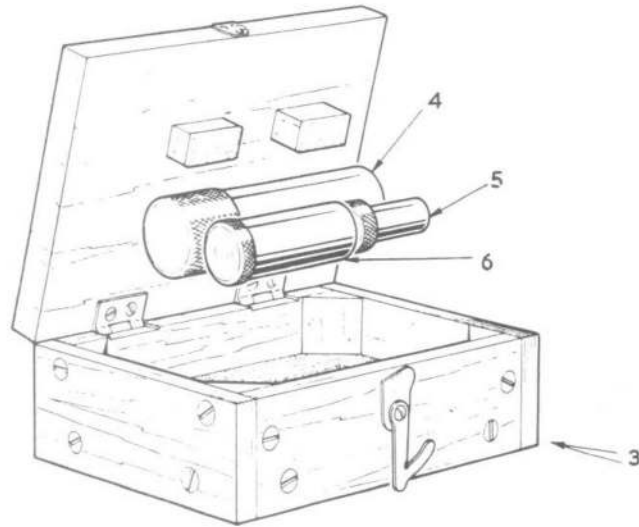


FIG.64. GROUND EQUIPMENT
Restricted

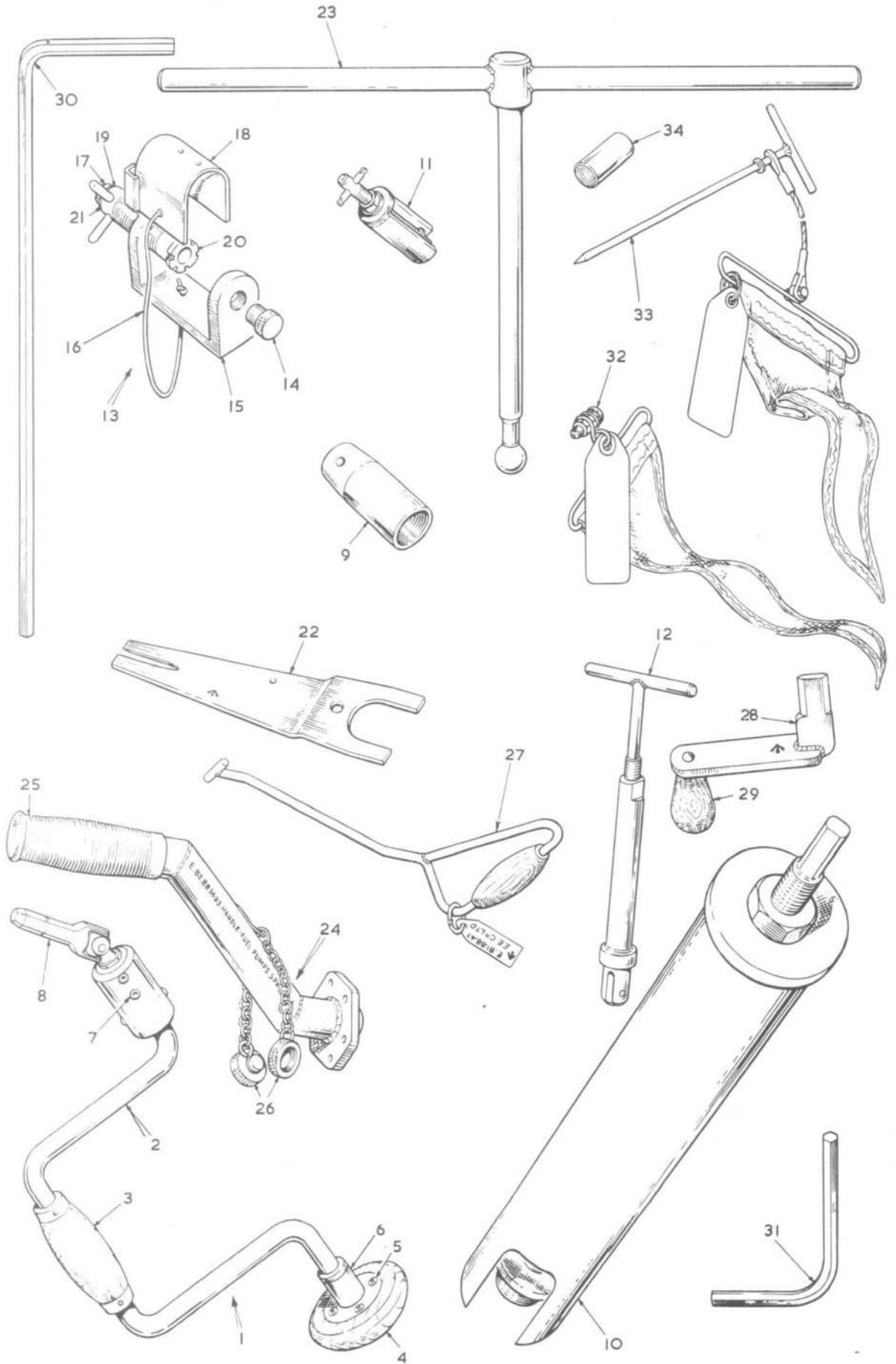


FIG. 65. GROUND EQUIPMENT
Restricted

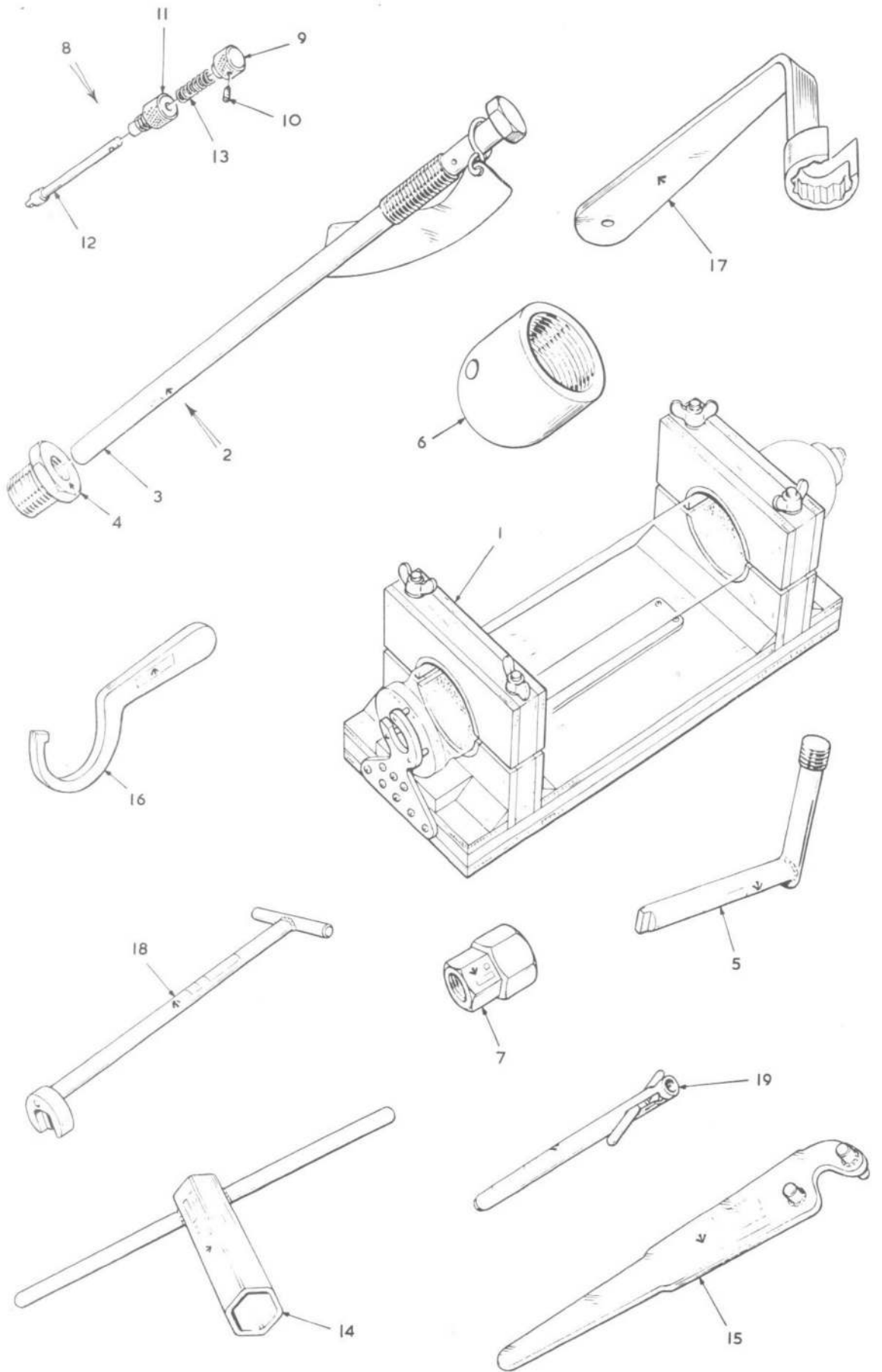


FIG. 66. GROUND EQUIPMENT
Restricted

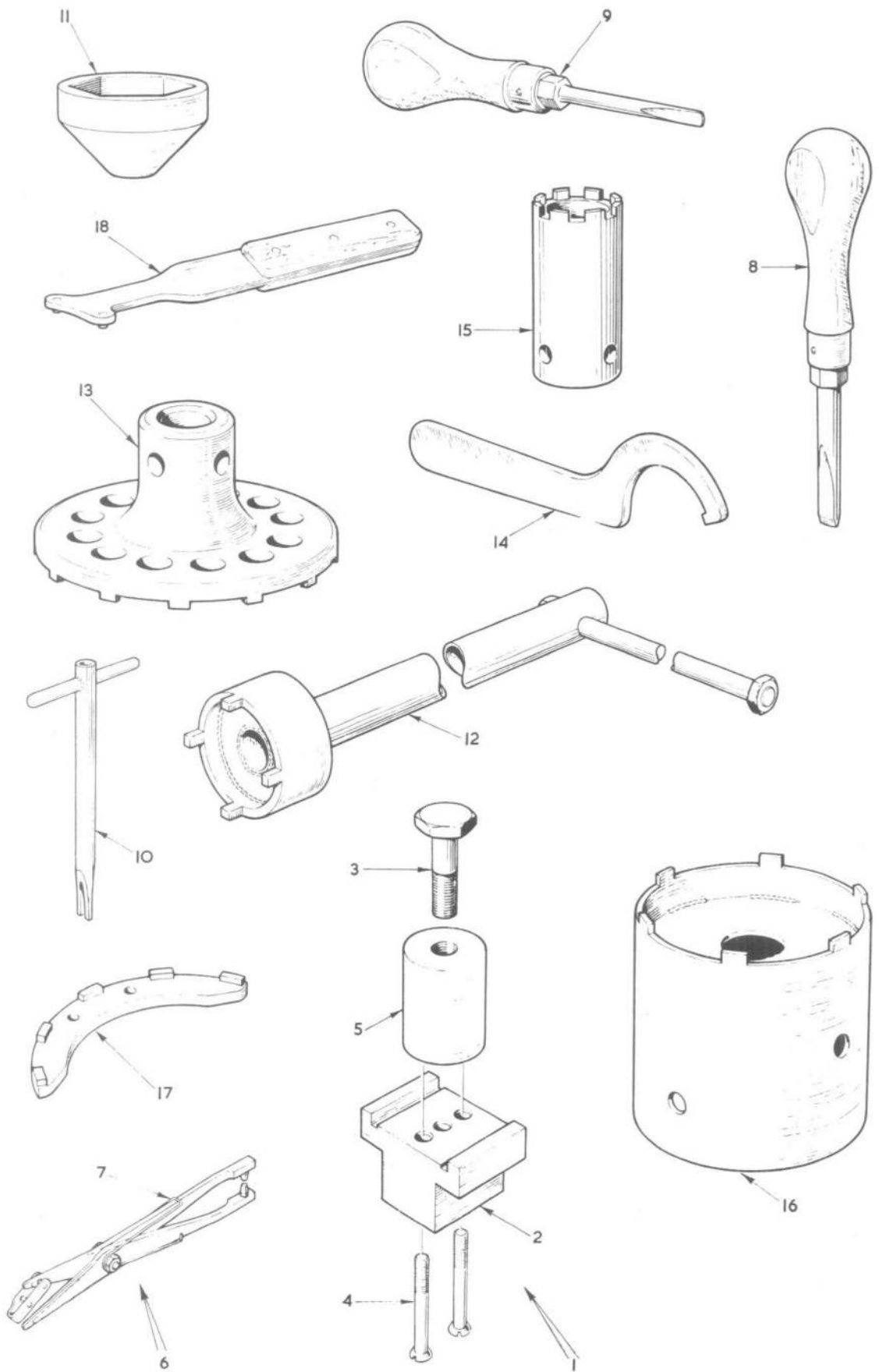


FIG. 67. GROUND EQUIPMENT
Restricted

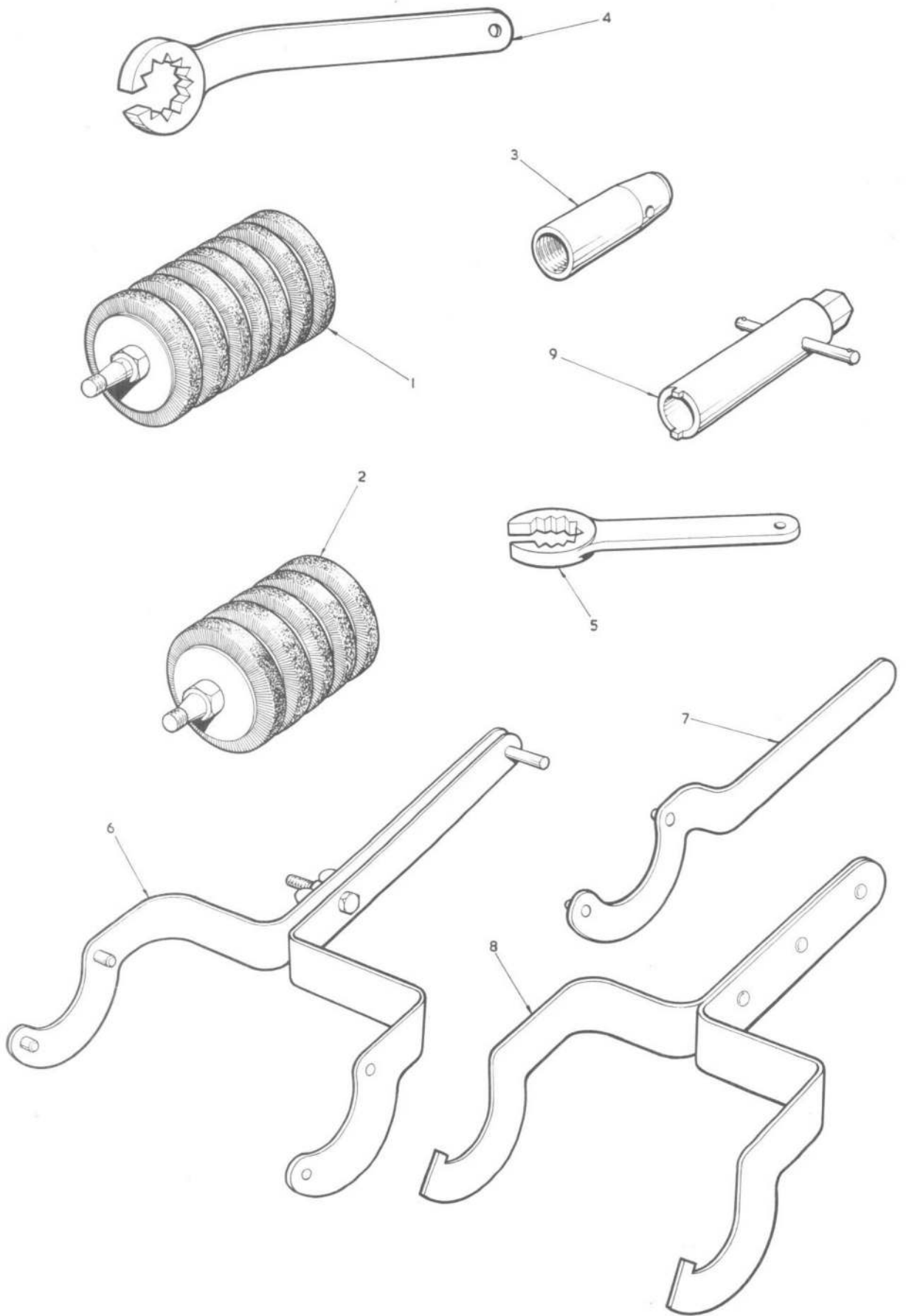


FIG.68. GROUND EQUIPMENT.
Restricted

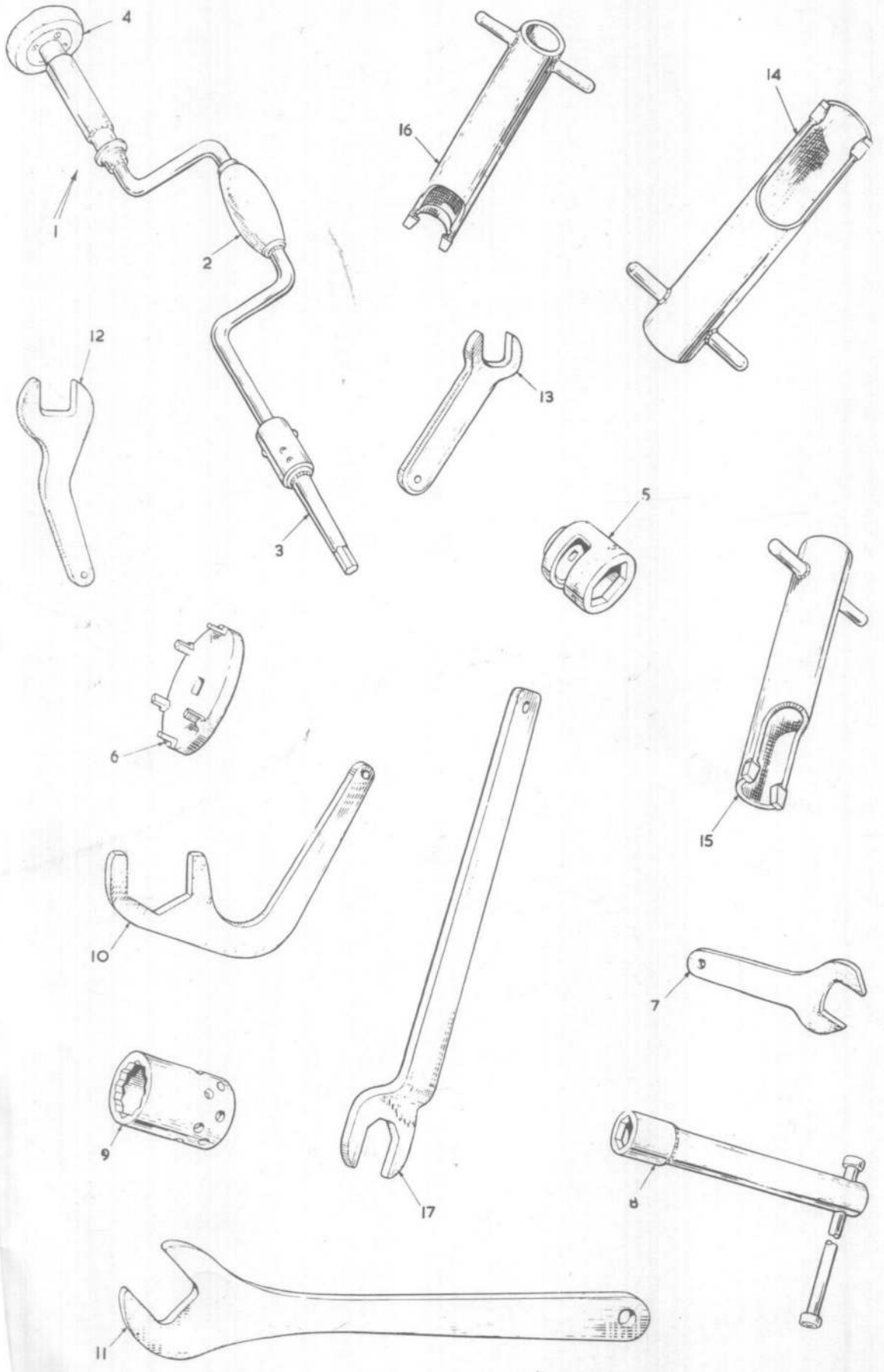


FIG. 69. GROUND EQUIPMENT
Restricted

Restricted

A.L.39

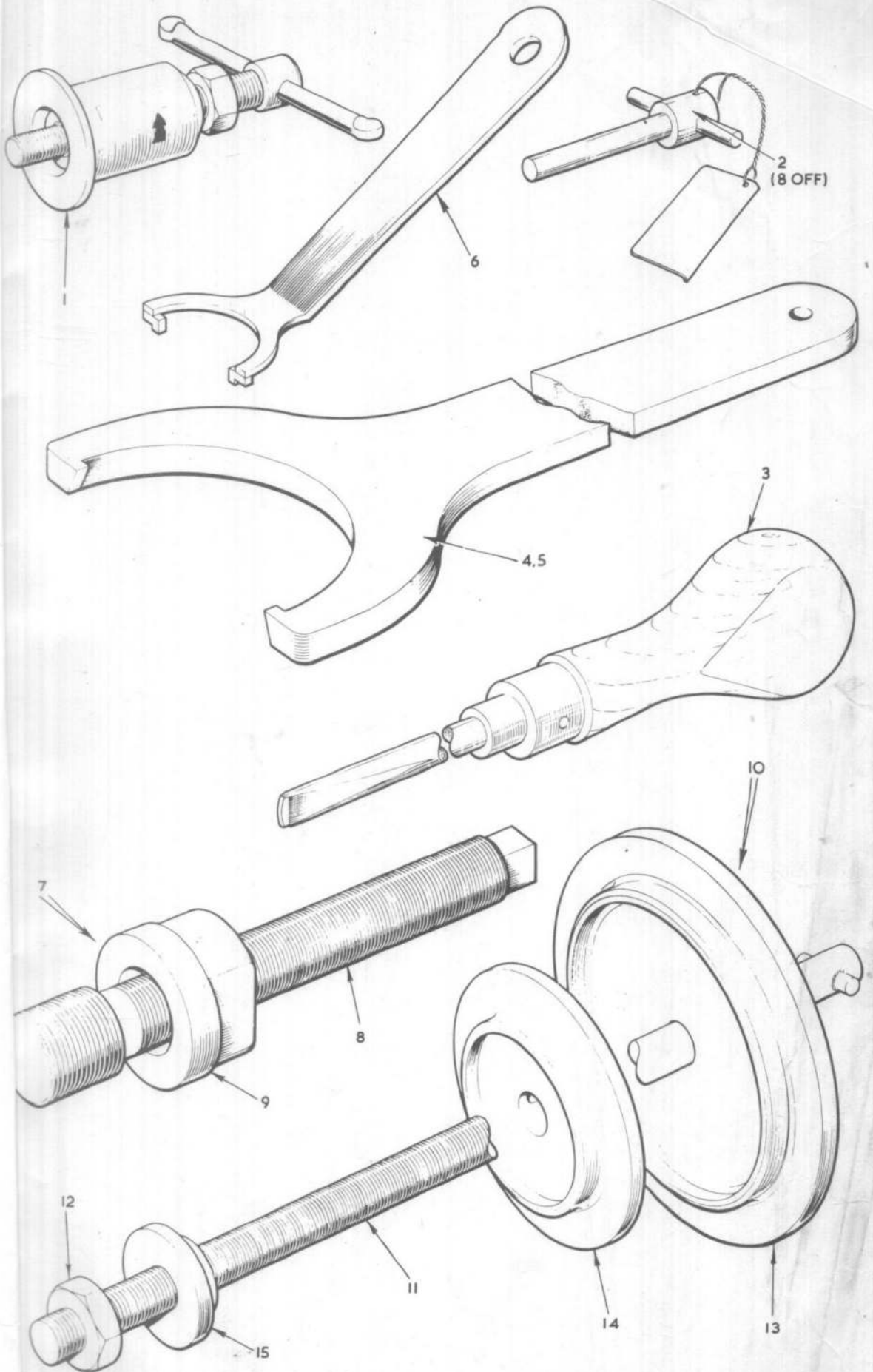


FIG.70. GROUND EQUIPMENT
Restricted

Restricted

A.L.39

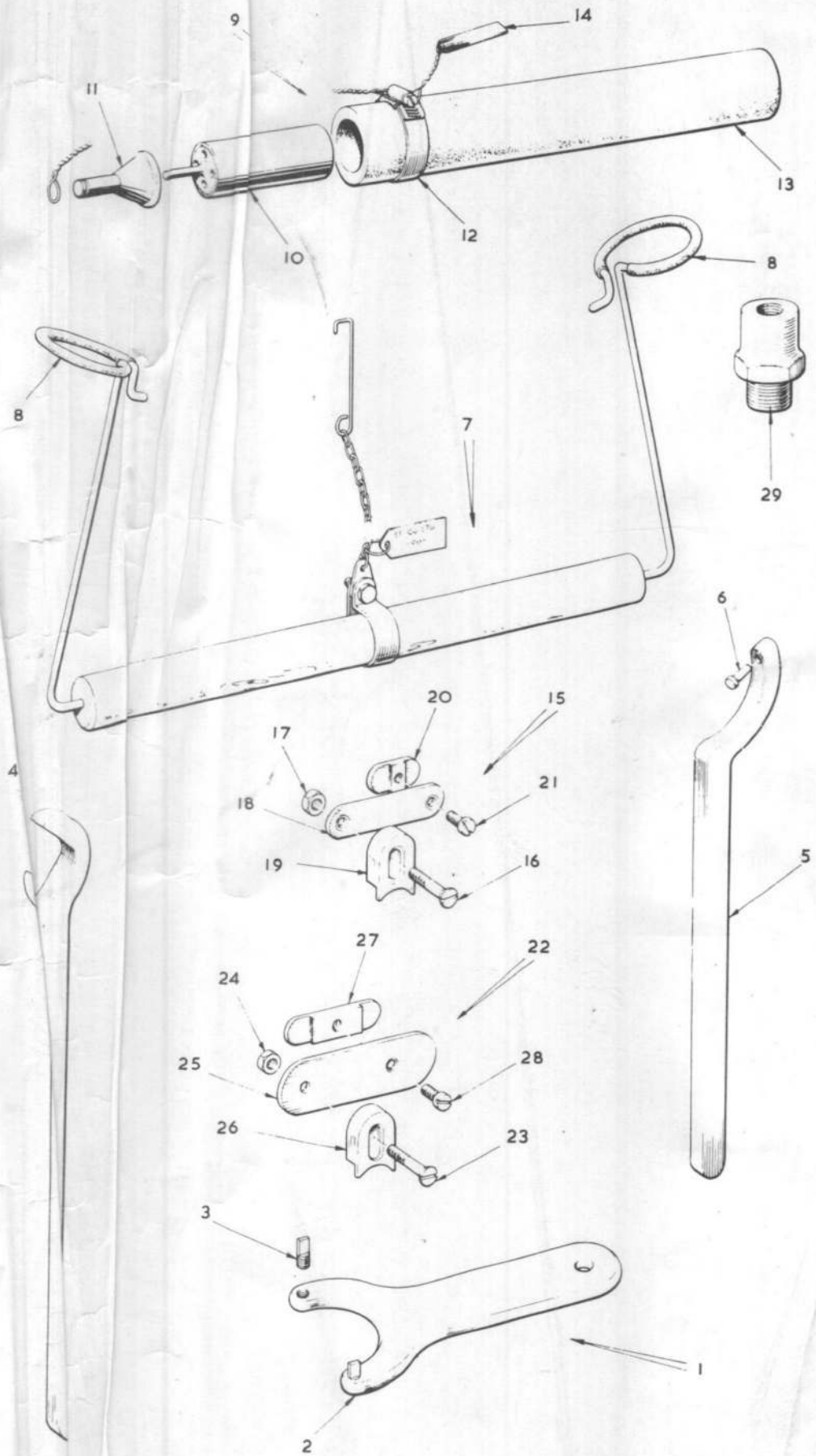


FIG.71. GROUND EQUIPMENT
Restricted

This file was downloaded
from the RTFM Library.

Link: www.scottbouch.com/rtfm

Please see site for usage terms,
and more aircraft documents.

