

FIG. I TAIL UNIT, ASSEMBLY OF FIN TO FUSELAGE

Restricted

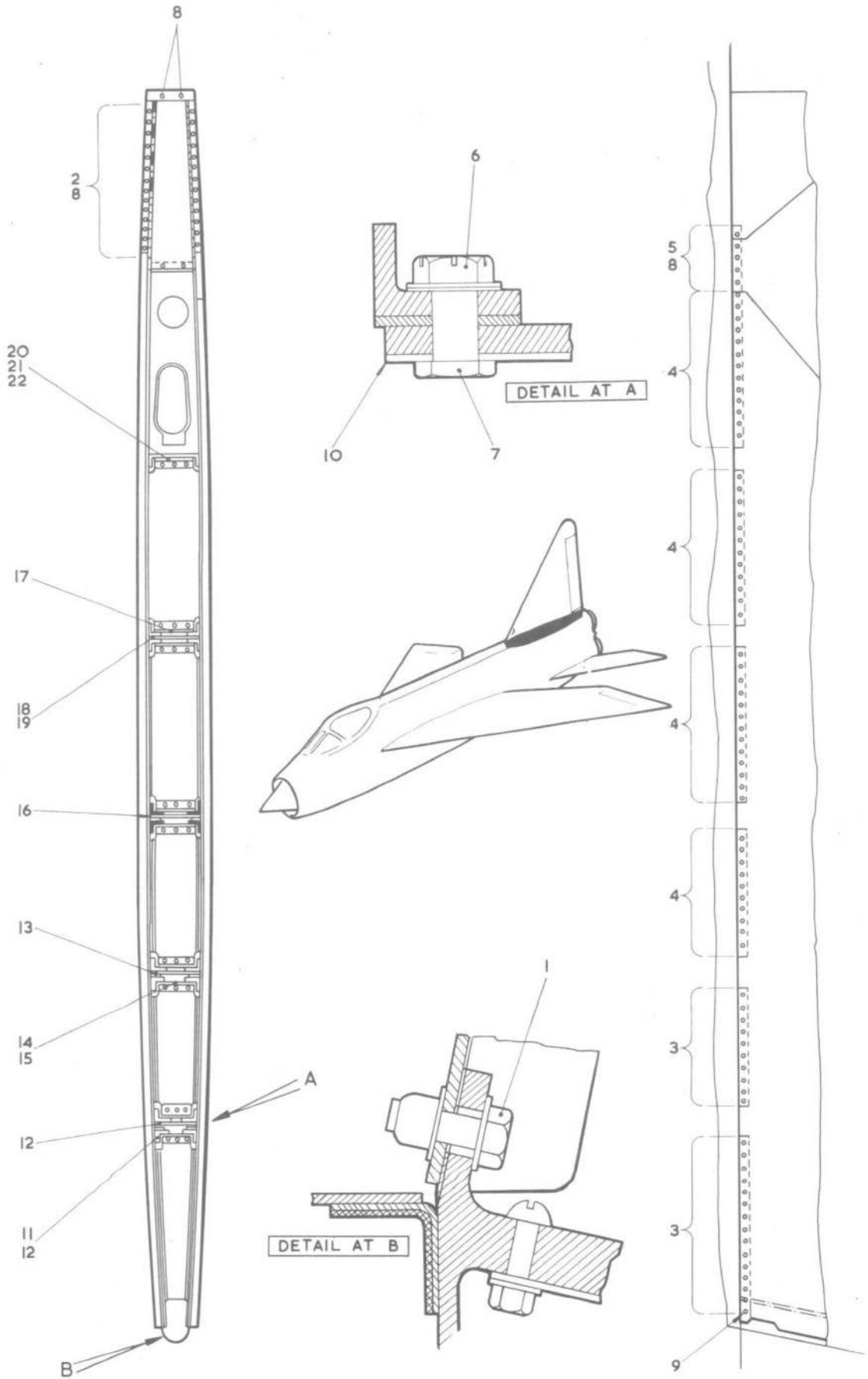


FIG. 2 TAIL UNIT-ASSEMBLY OF FIN TO FUSELAGE
Restricted

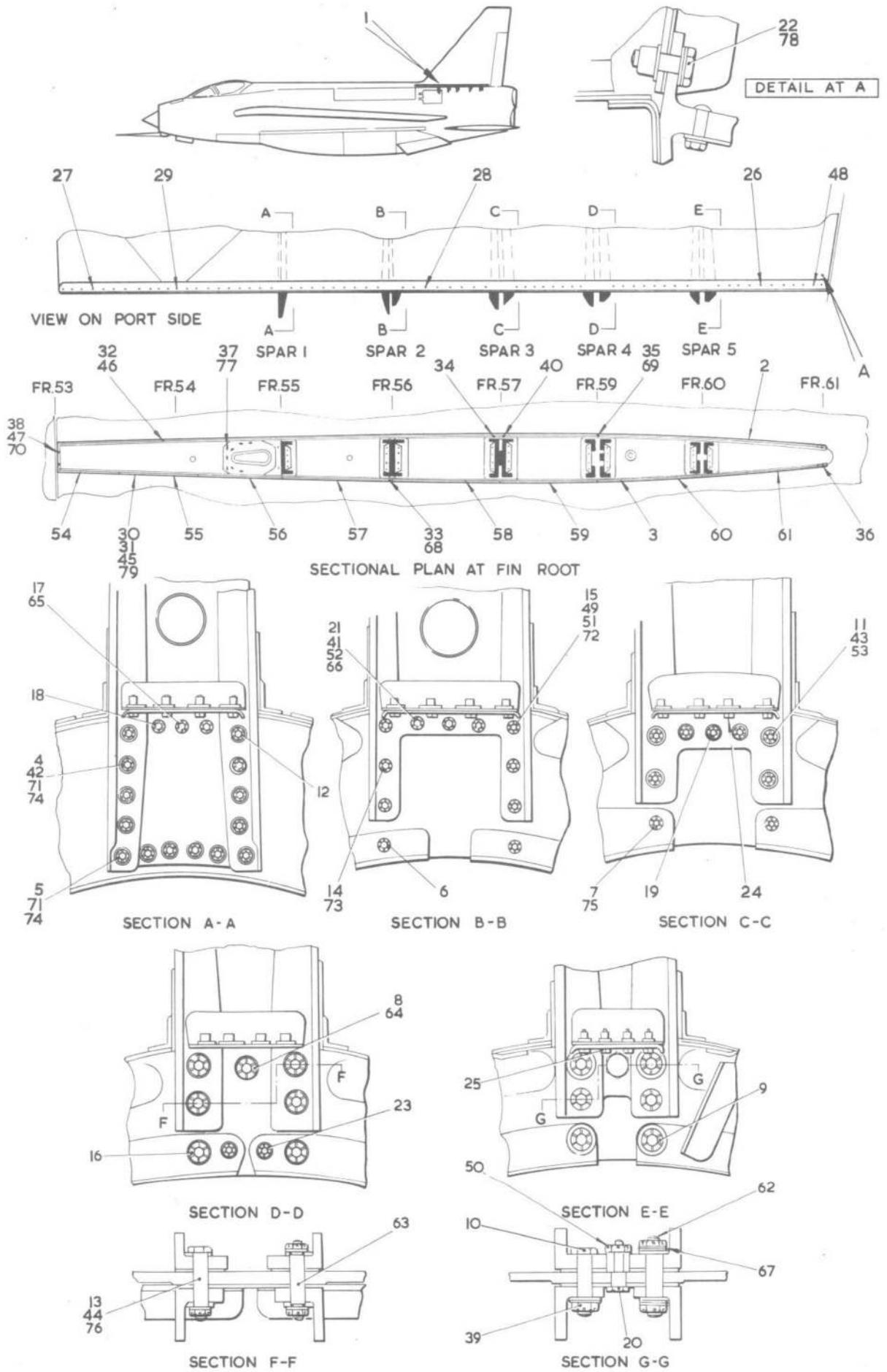


FIG. 3 ASSEMBLY OF FIN TO FUSELAGE.

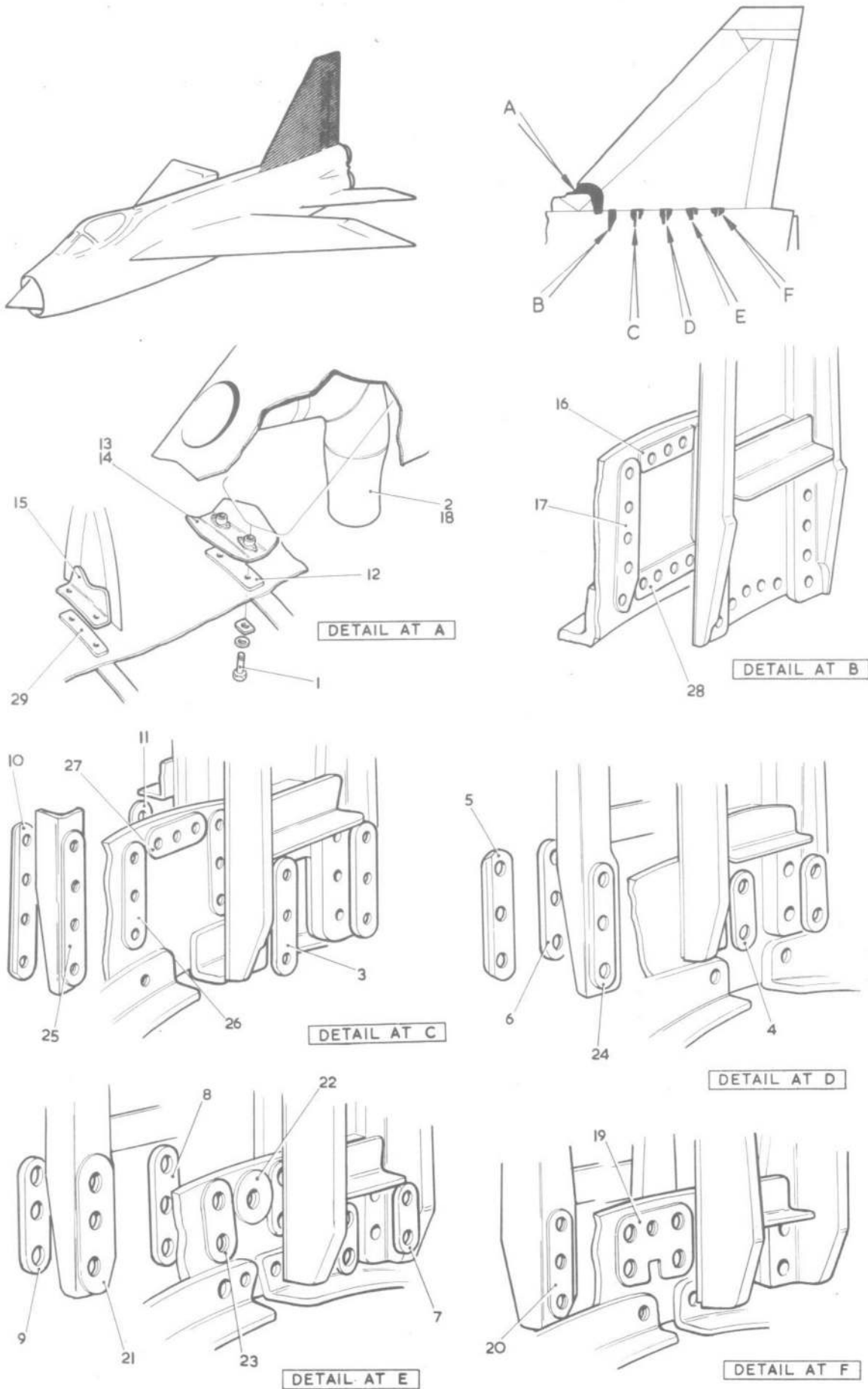


FIG. 4 ASSEMBLY OF FIN TO FUSELAGE
Restricted

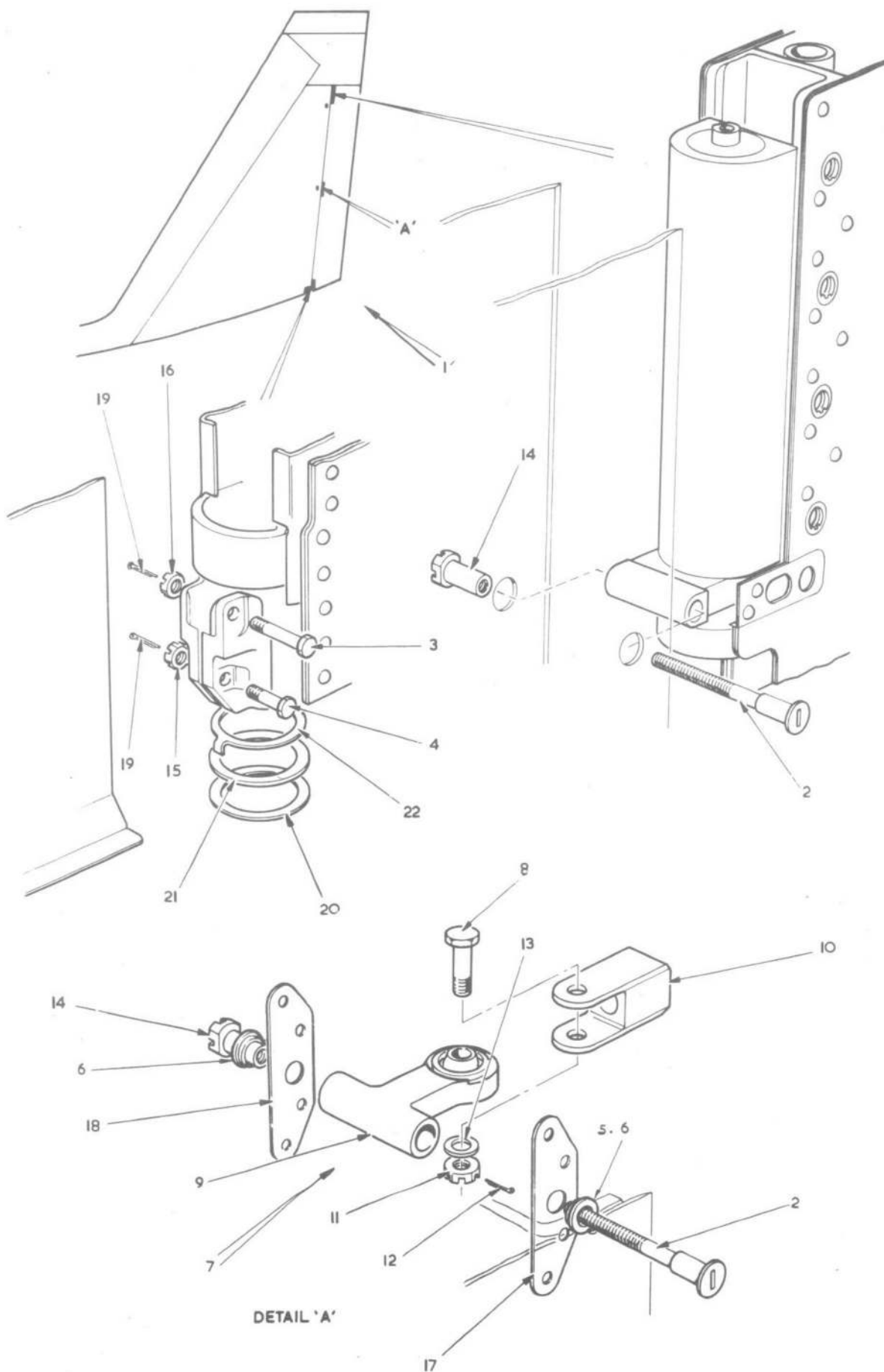


FIG.5 TAIL UNIT, ASSEMBLY OF RUDDER TO AIRCRAFT

Restricted

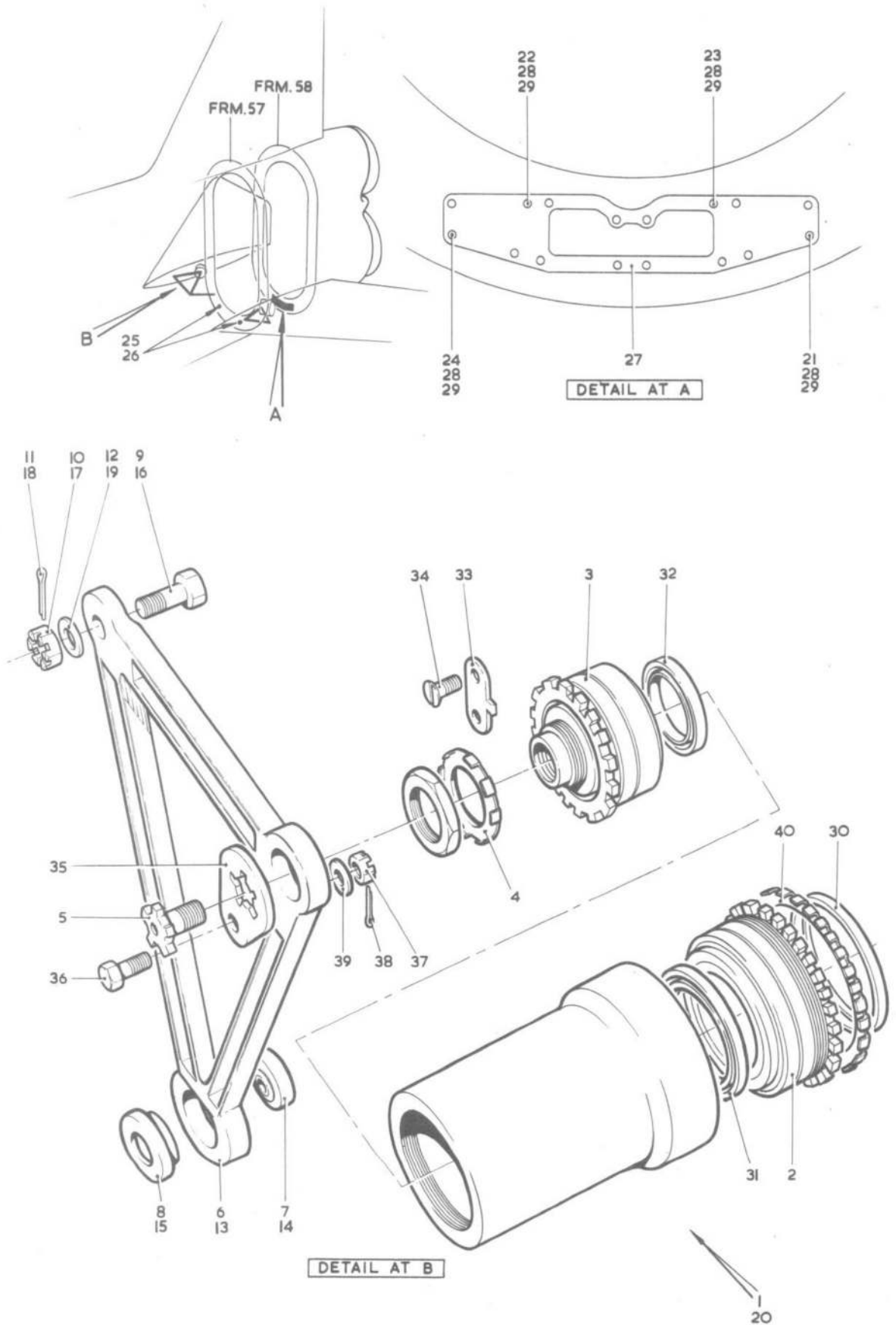


FIG.6 TAIL UNIT, ASSEMBLY OF TAILPLANE TO FUSELAGE

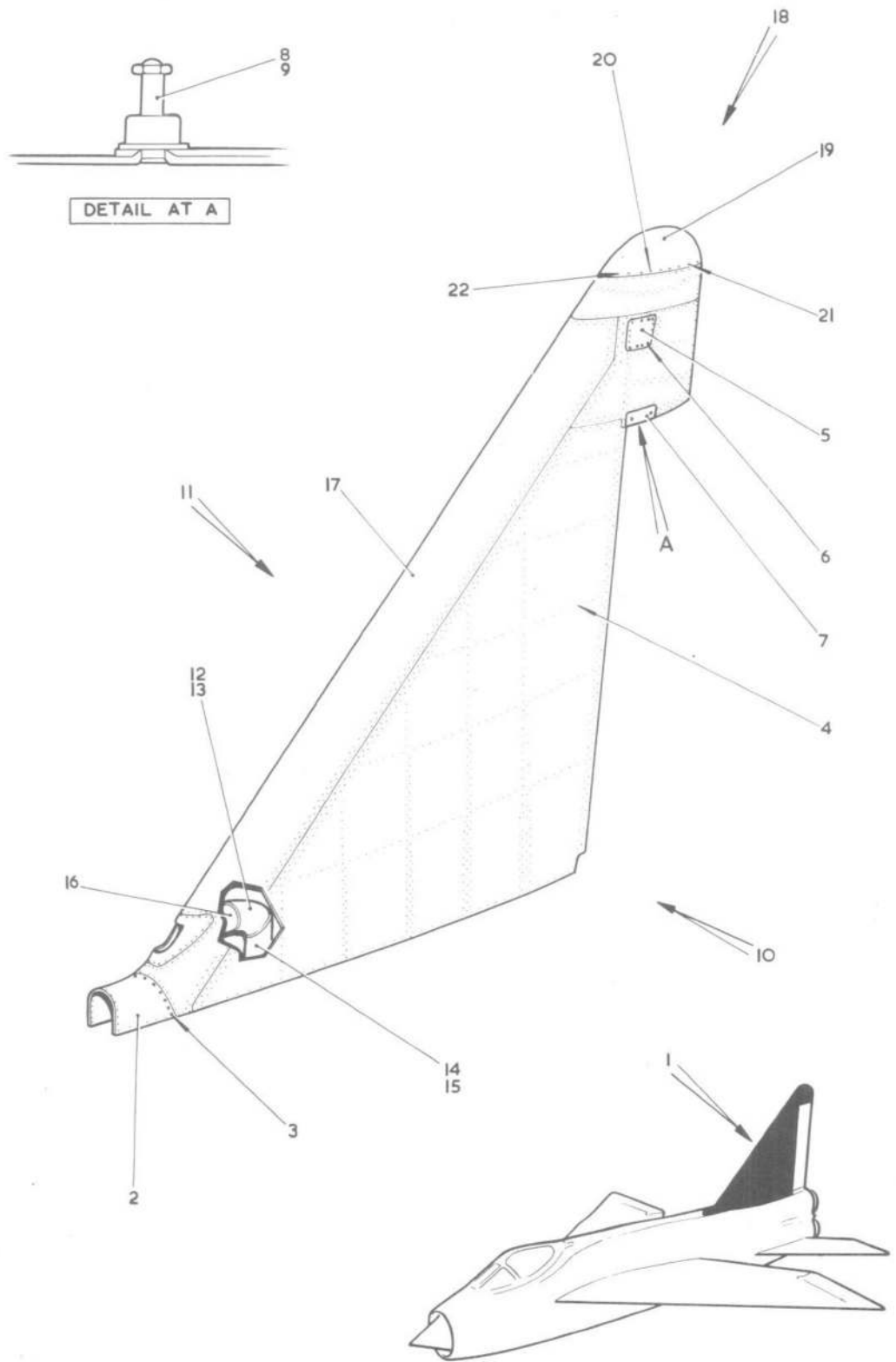


FIG. 7 TAIL UNIT, FIN ASSEMBLY.
Restricted

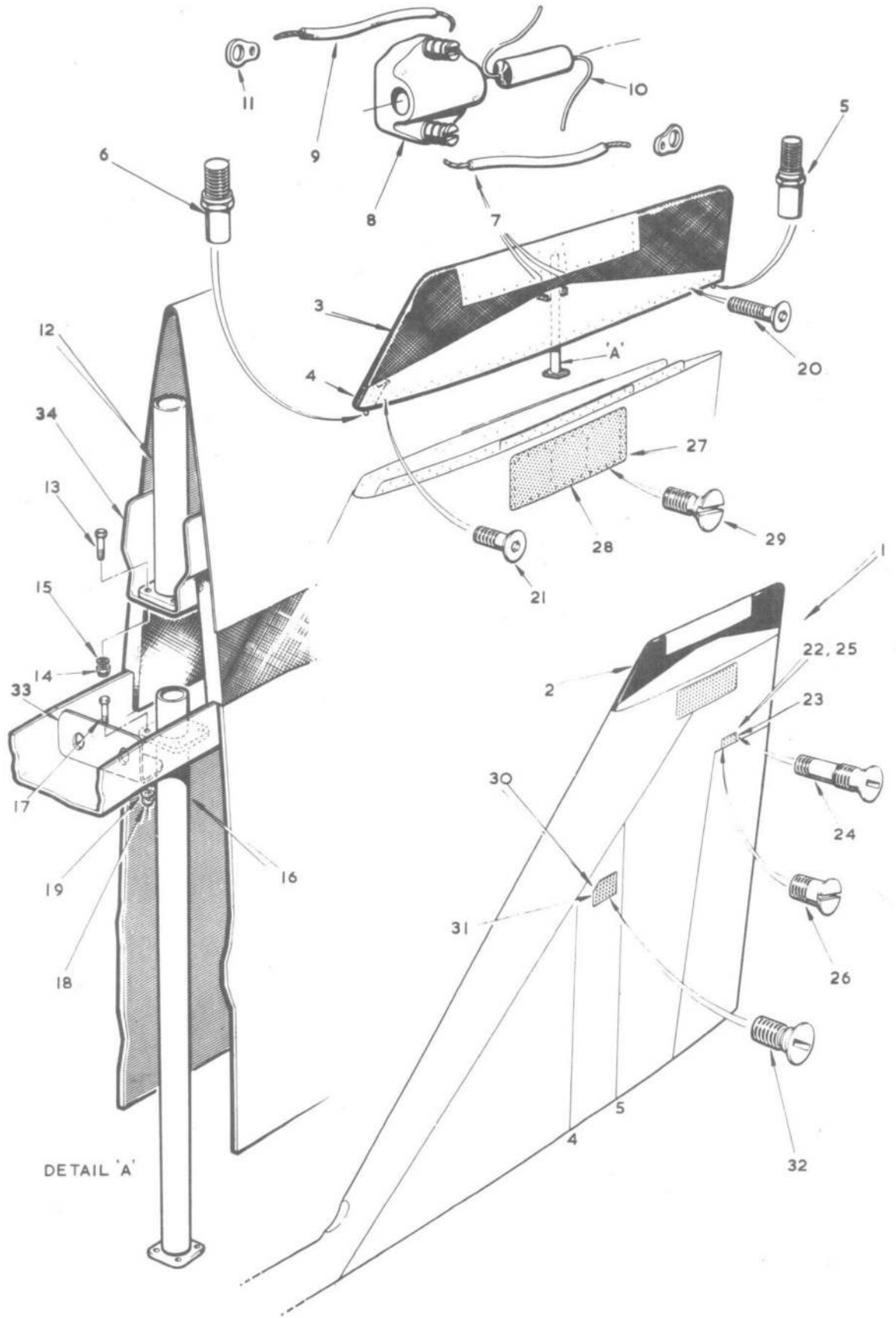


FIG.8 TAIL UNIT, FIN ASSEMBLY
Restricted

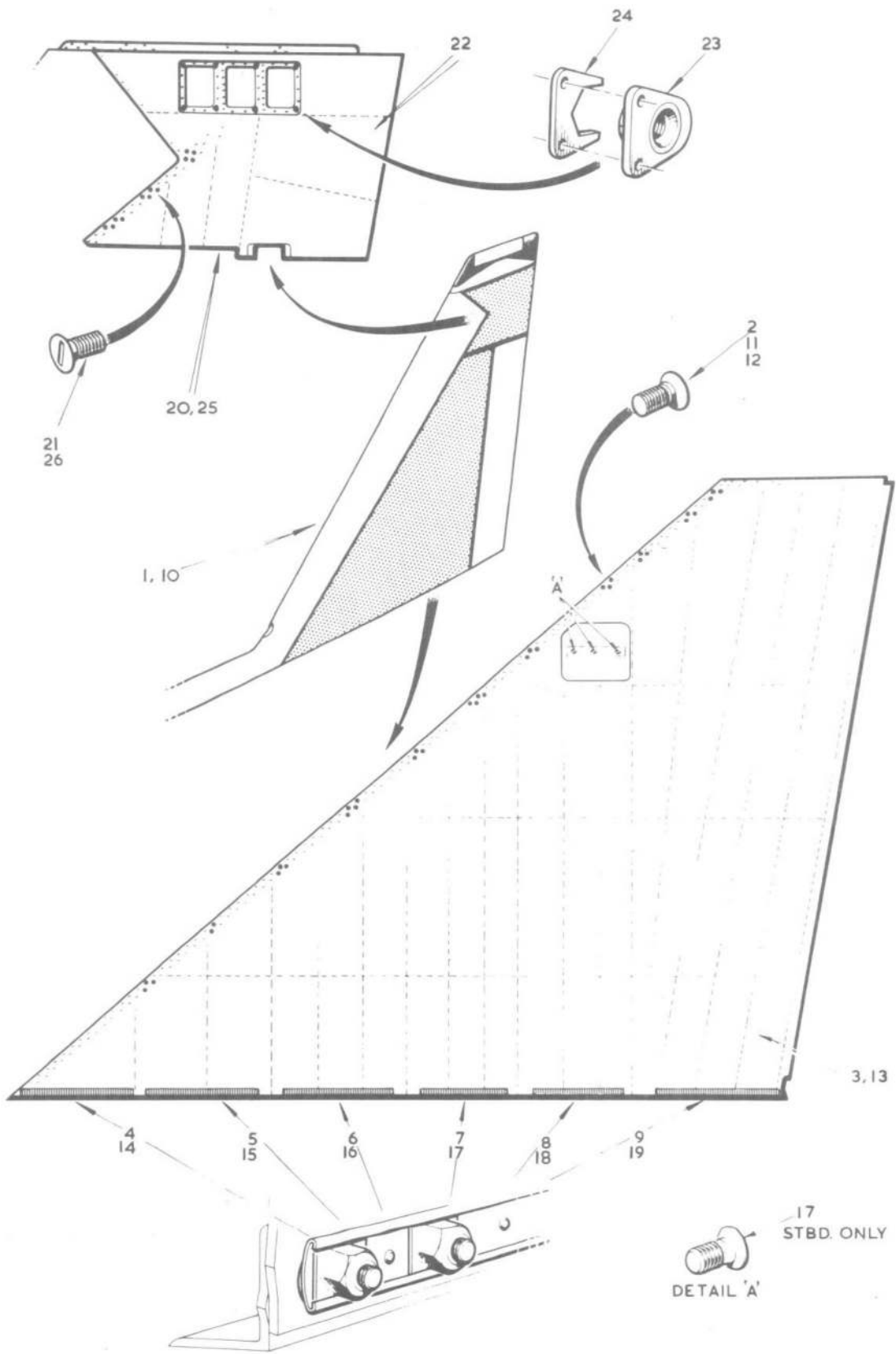


FIG.9 TAIL UNIT-FIN ASSEMBLY
Restricted

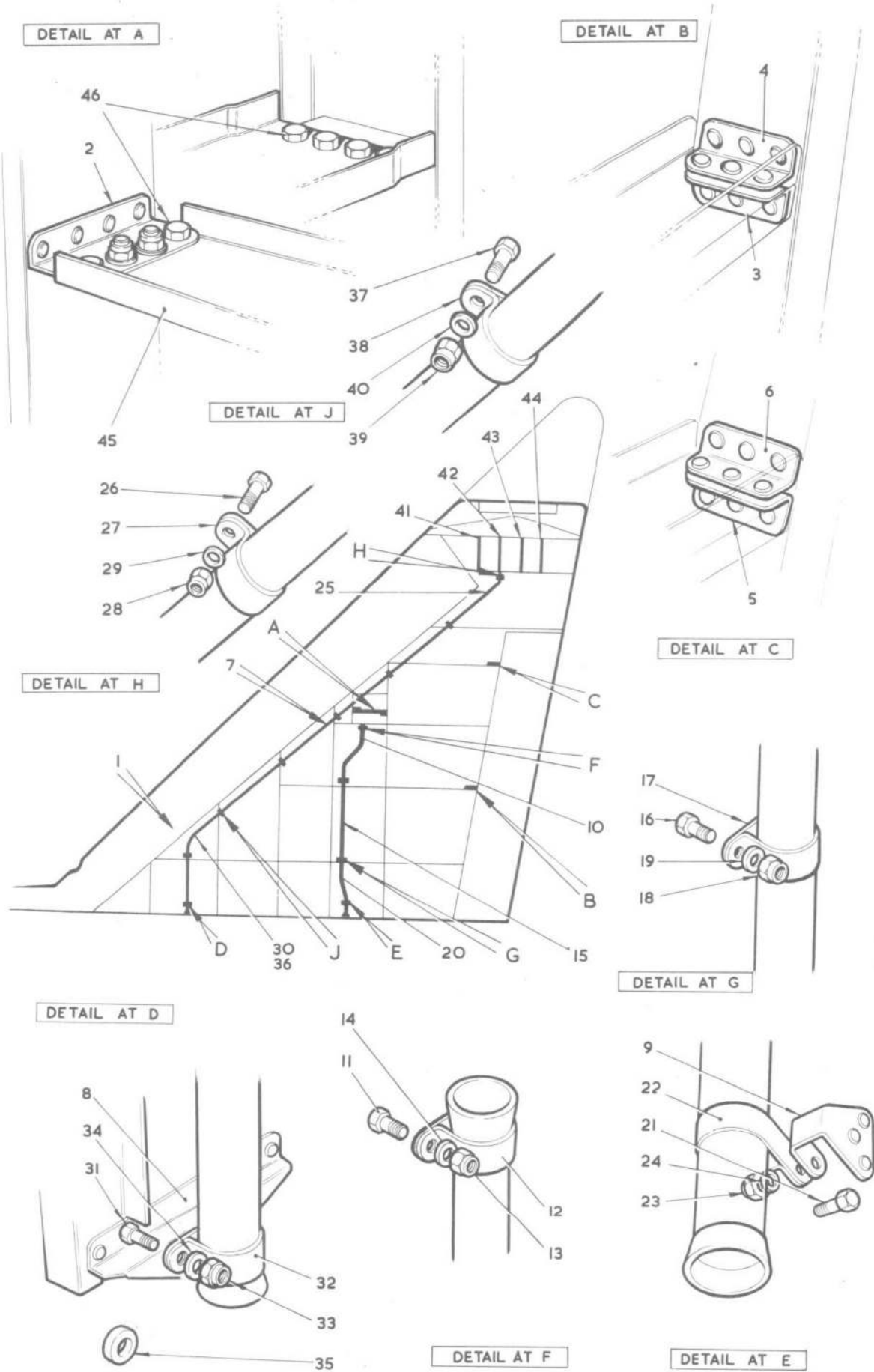


FIG.10 TAIL UNIT FIN ASSEMBLY
Restricted

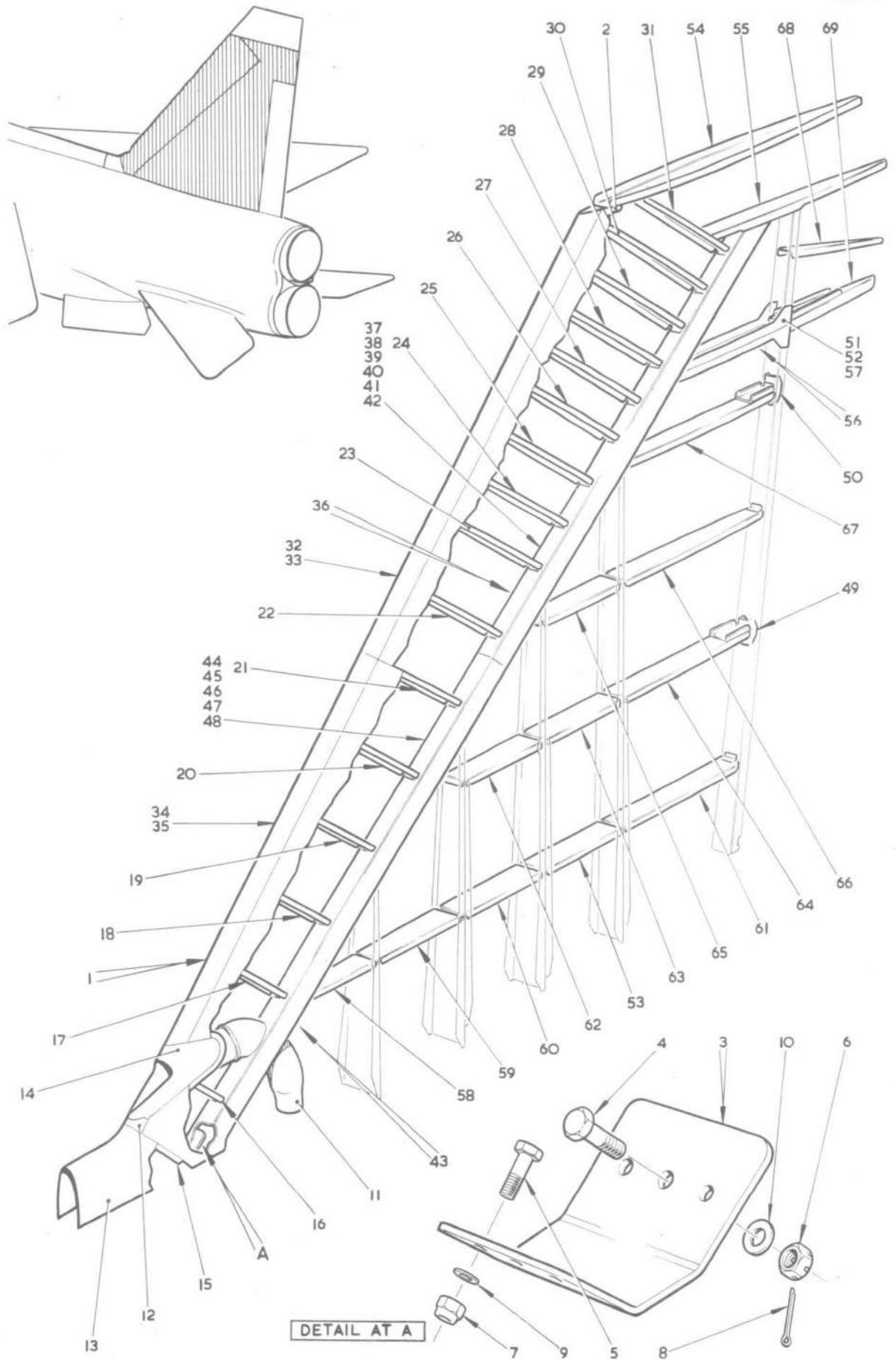


FIG. II TAIL UNIT. FIN ASSEMBLY
Restricted

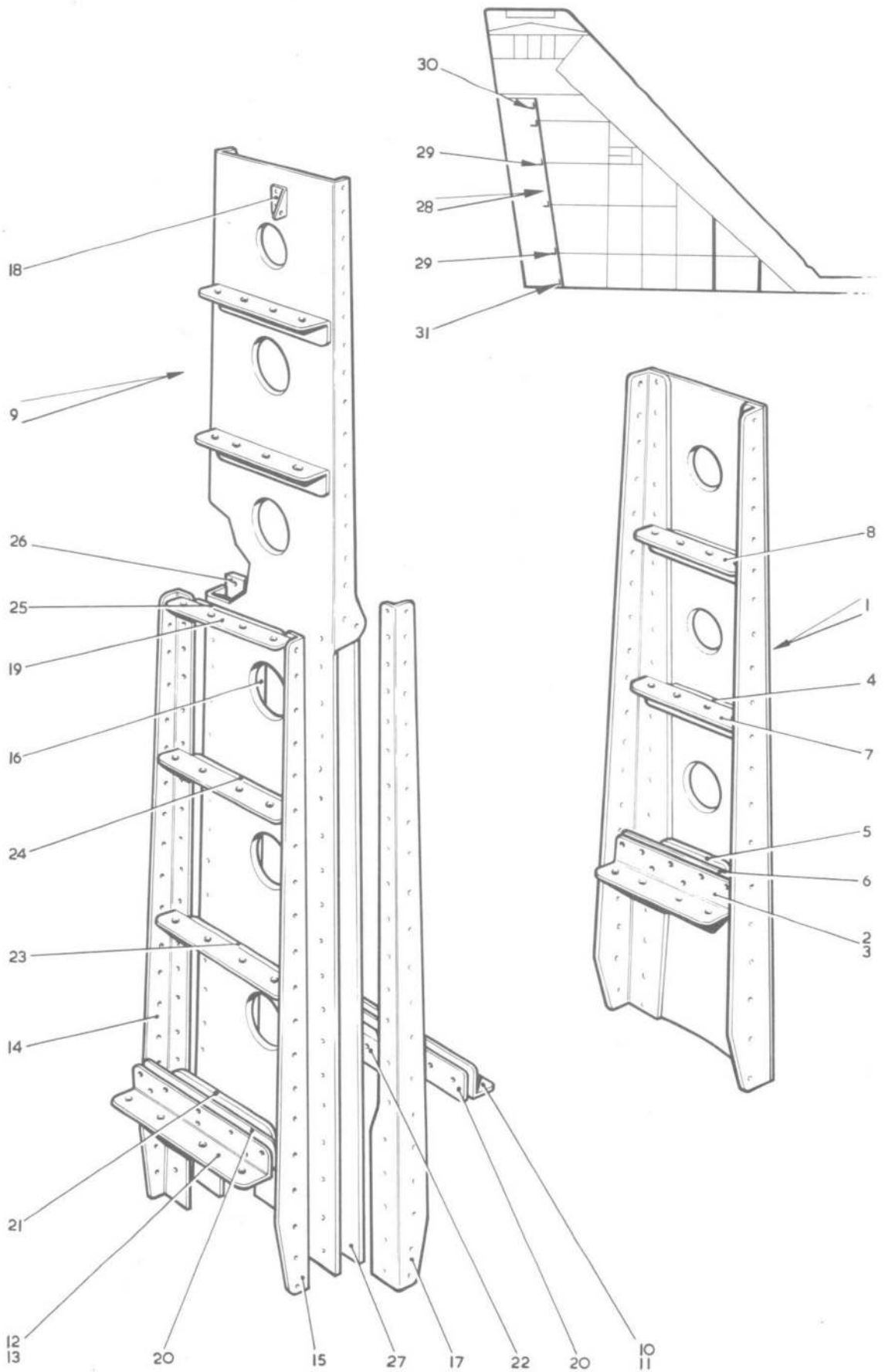


FIG. 12 TAIL UNIT FIN ASSEMBLY
Restricted

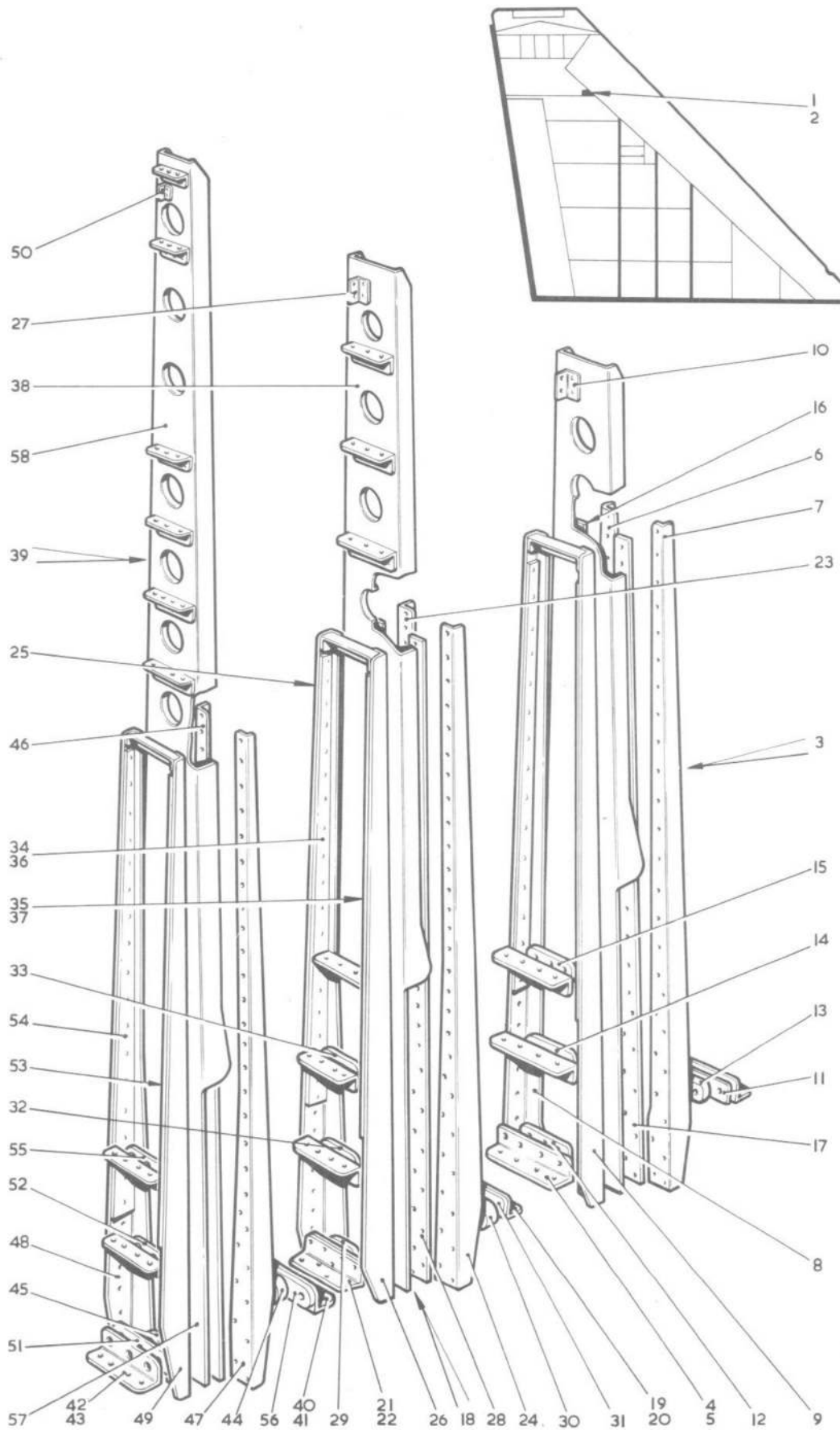


FIG. 13 TAIL UNIT FIN ASSEMBLY
Restricted

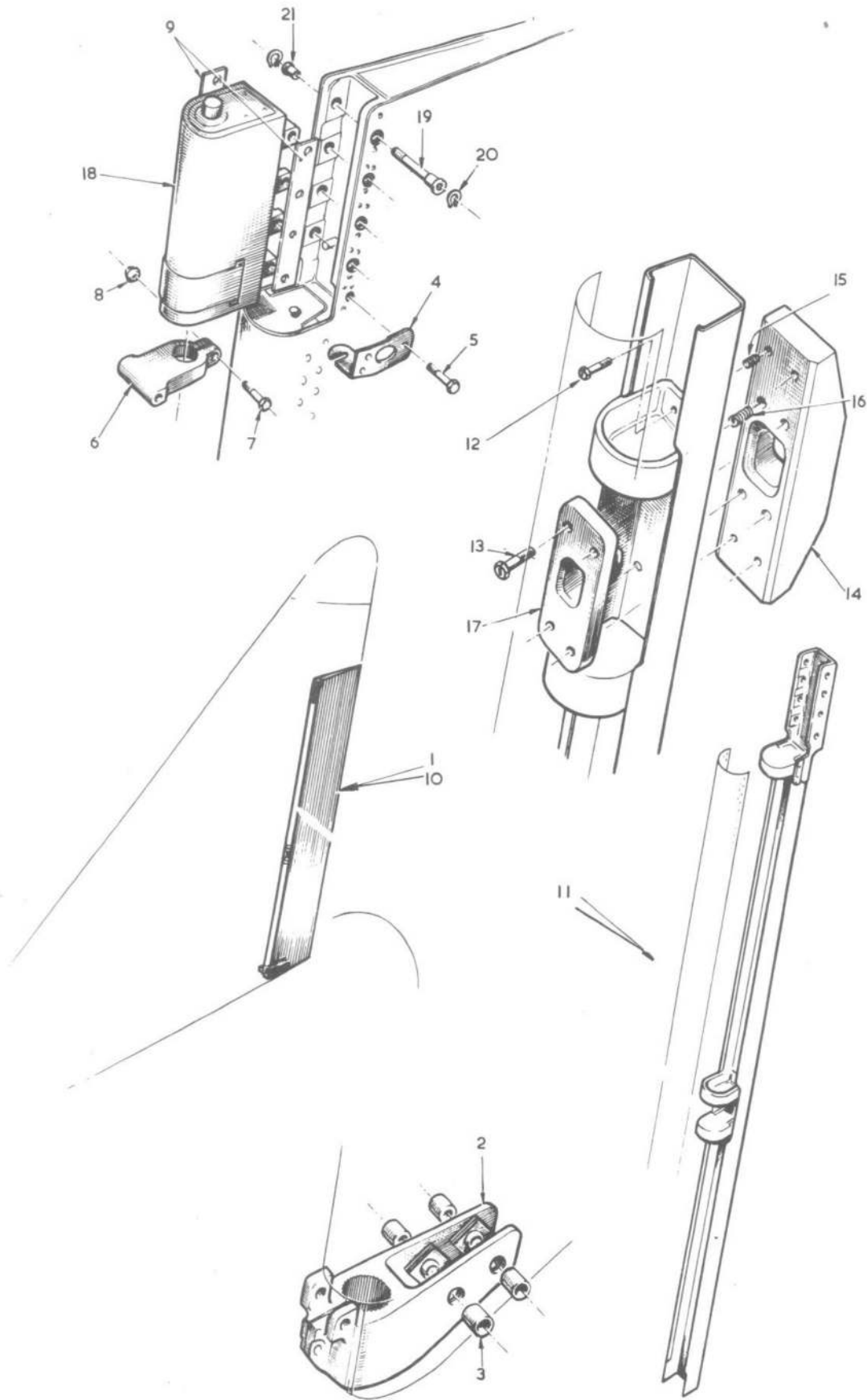


FIG.14 TAIL UNIT, RUDDER ASSEMBLY
Restricted

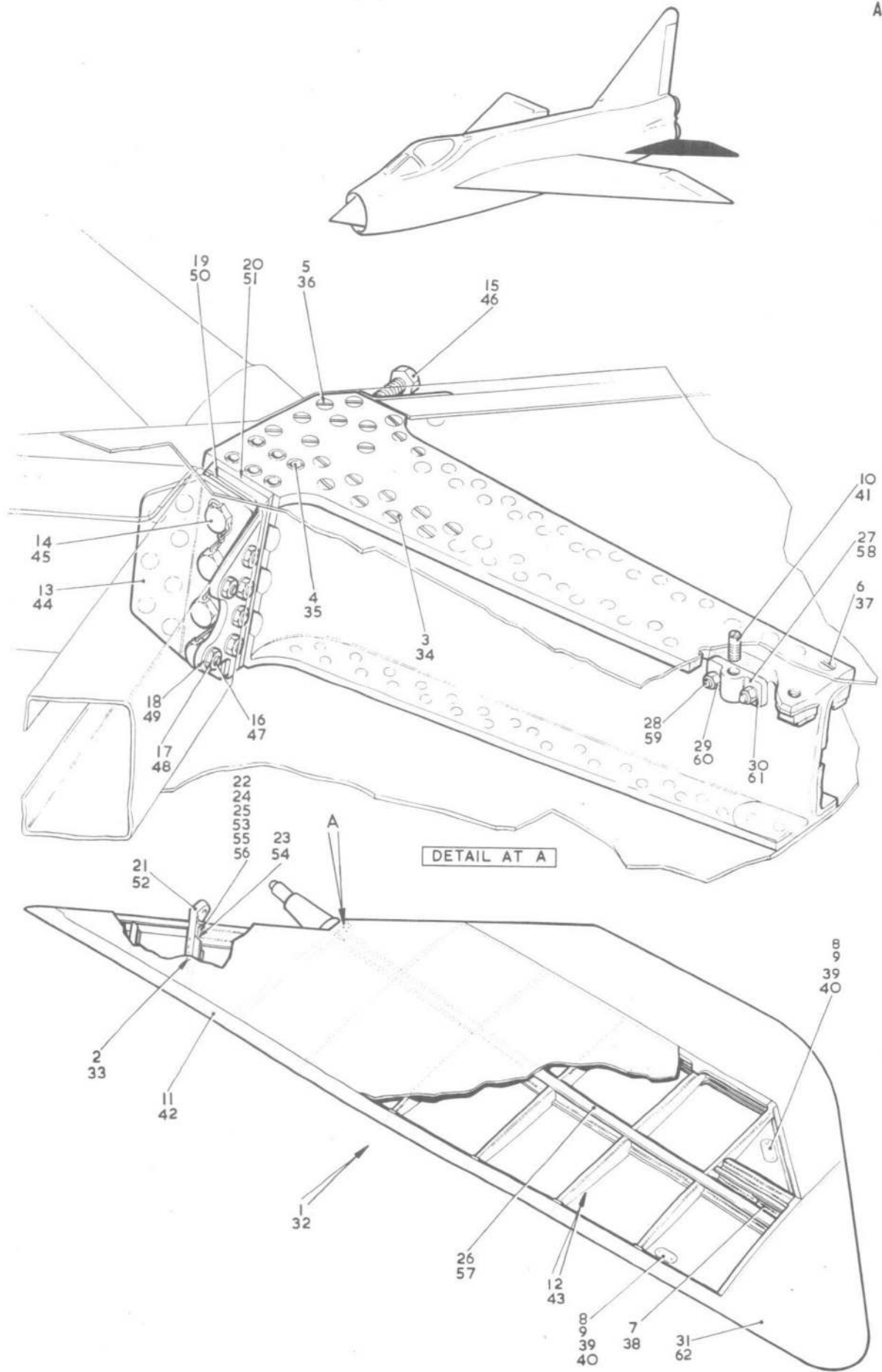


FIG. 15 TAIL UNIT, TAILPLANE, PORT AND STARBOARD

Restricted

FMK.2/2A SECT.N

This file was downloaded
from the RTFM Library.

Link: www.scottbouch.com/rtfm

Please see site for usage terms,
and more aircraft documents.

