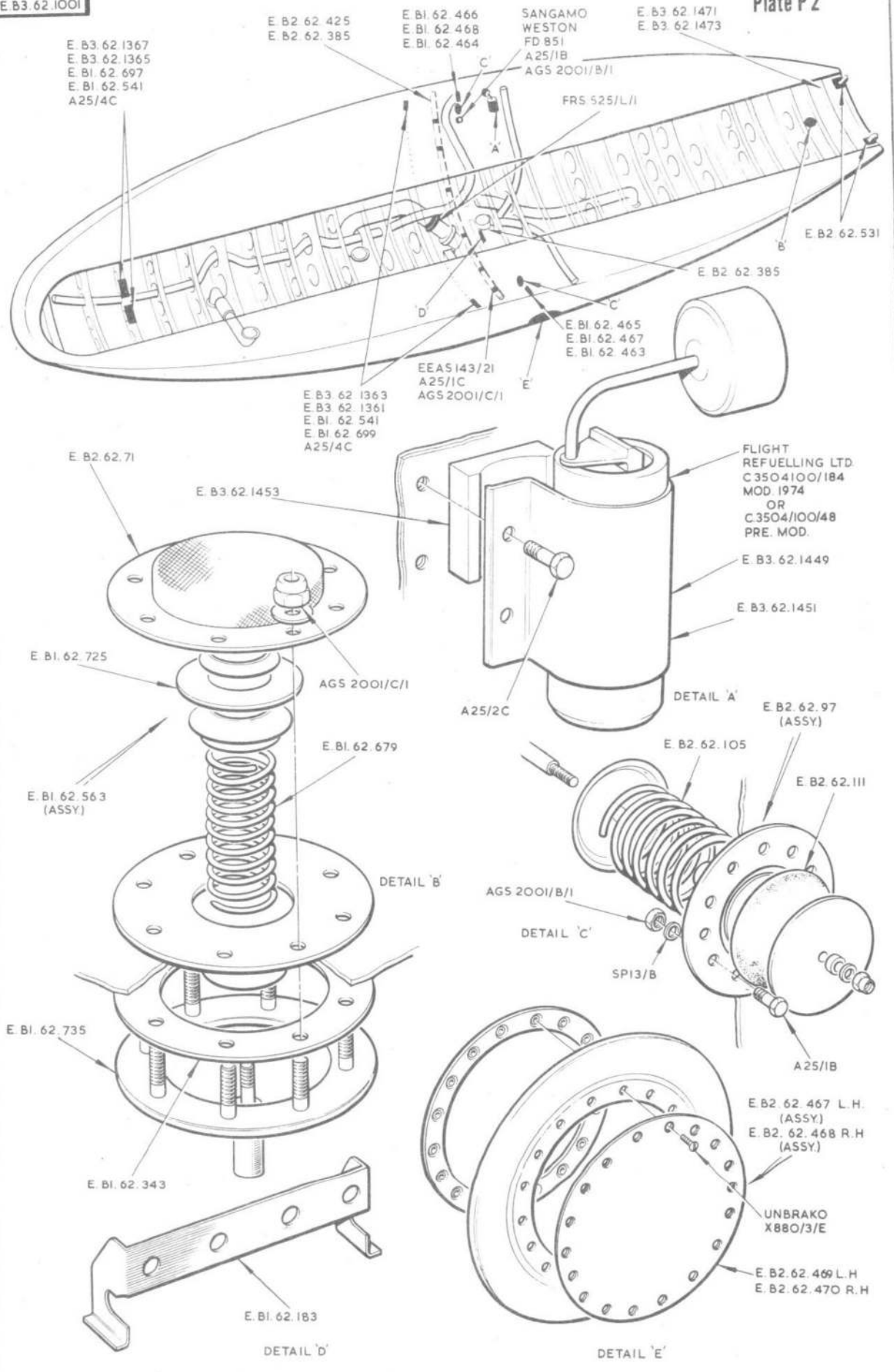


FIG. 1 TANKS ATTACHMENTS, FAIRING TO VENTRAL PACK  
Restricted

E B3.62.1001

Plate P2



E. B3.62.1367  
 E. B3.62.1365  
 E. BI. 62.697  
 E. BI. 62.541  
 A25/4C

E B2 62 425  
 E B2 62 385

E. BI. 62.466  
 E. BI. 62.468  
 E. BI. 62.464

SANGAMO  
 WESTON  
 FD B51  
 A25/1B  
 AGS 2001/B/1

E. B3.62.1471  
 E. B3.62.1473

FRS 525/L/I

E B2 62.531

E B2 62 385

E. BI. 62.465  
 E. BI. 62.467  
 E. BI. 62.463

EEAS143/21  
 A25/1C  
 AGS 2001/C/1

E B3 62 1363  
 E B3 62 1361  
 E BI. 62 541  
 E BI 62 699  
 A25/4C

E. B2.62.71

E. B3.62.1453

FLIGHT  
 REFUELLING LTD  
 C 3504100/184  
 MOD. 1974  
 OR  
 C.3504/100/48  
 PRE. MOD.

E. B3.62.1449

E. B3.62.1451

E. BI. 62.725

AGS 2001/C/1

E. BI. 62.679

E. BI. 62.563  
 (ASSY.)

A25/2C

DETAIL 'A'

E. B2.62.97  
 (ASSY.)

E. B2.62.105

E. B2.62.111

DETAIL 'B'

AGS 2001/B/1

DETAIL 'C'

SPI3/B

A25/1B

E. BI. 62.735

E. BI. 62.343

E. B2.62.467 L.H.  
 (ASSY.)  
 E. B2.62.468 R.H.  
 (ASSY.)

UNBRAKO  
 X880/3/E

E. B2.62.469 L.H.  
 E. B2.62.470 R.H.

E. BI. 62.183

DETAIL 'D'

DETAIL 'E'

LIGHTNING F.MK.2

TANKS - VENTRAL TANK

Restricted

B5357

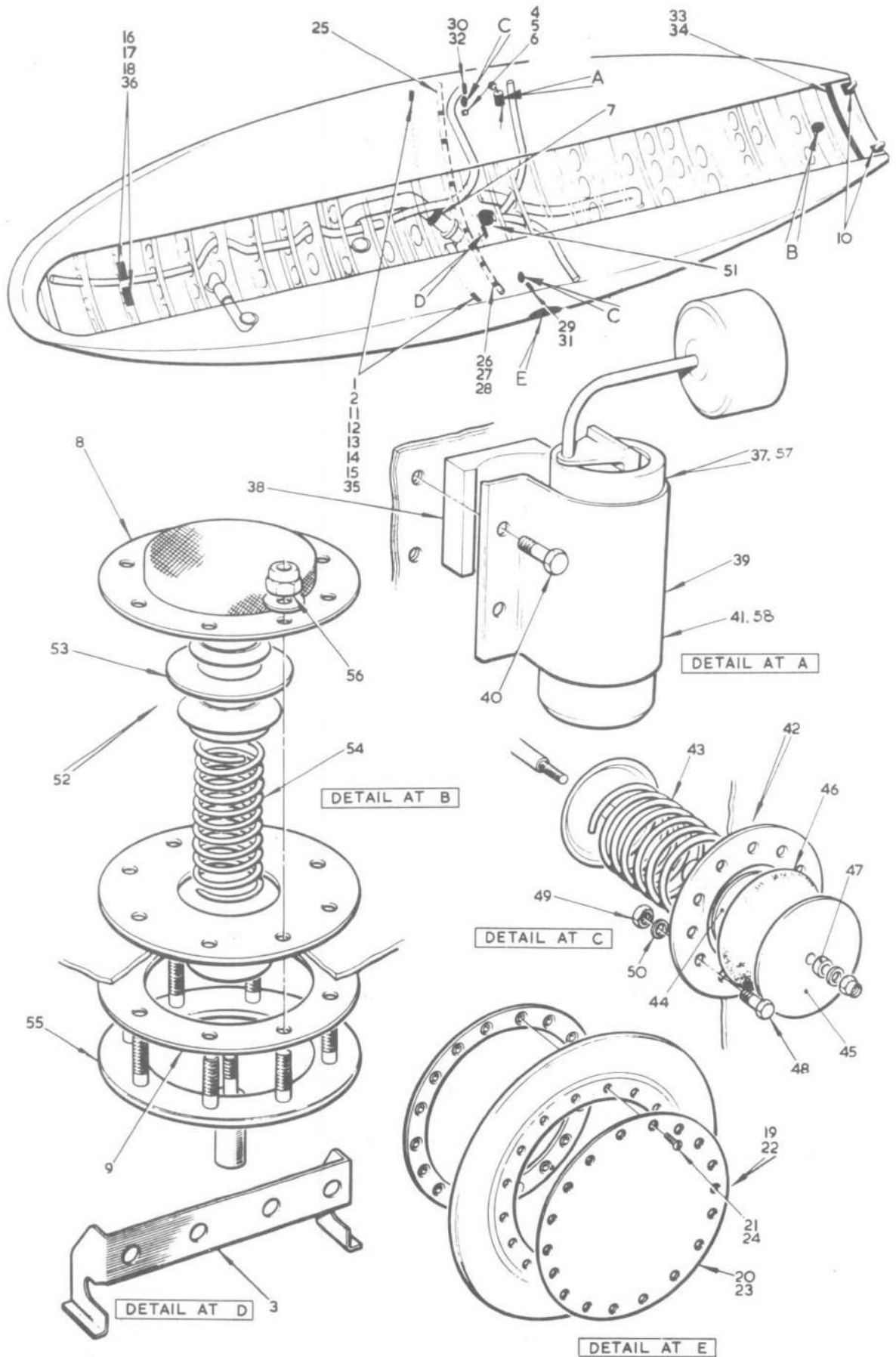


FIG.2 TANKS, VENTRAL TANKS  
Restricted



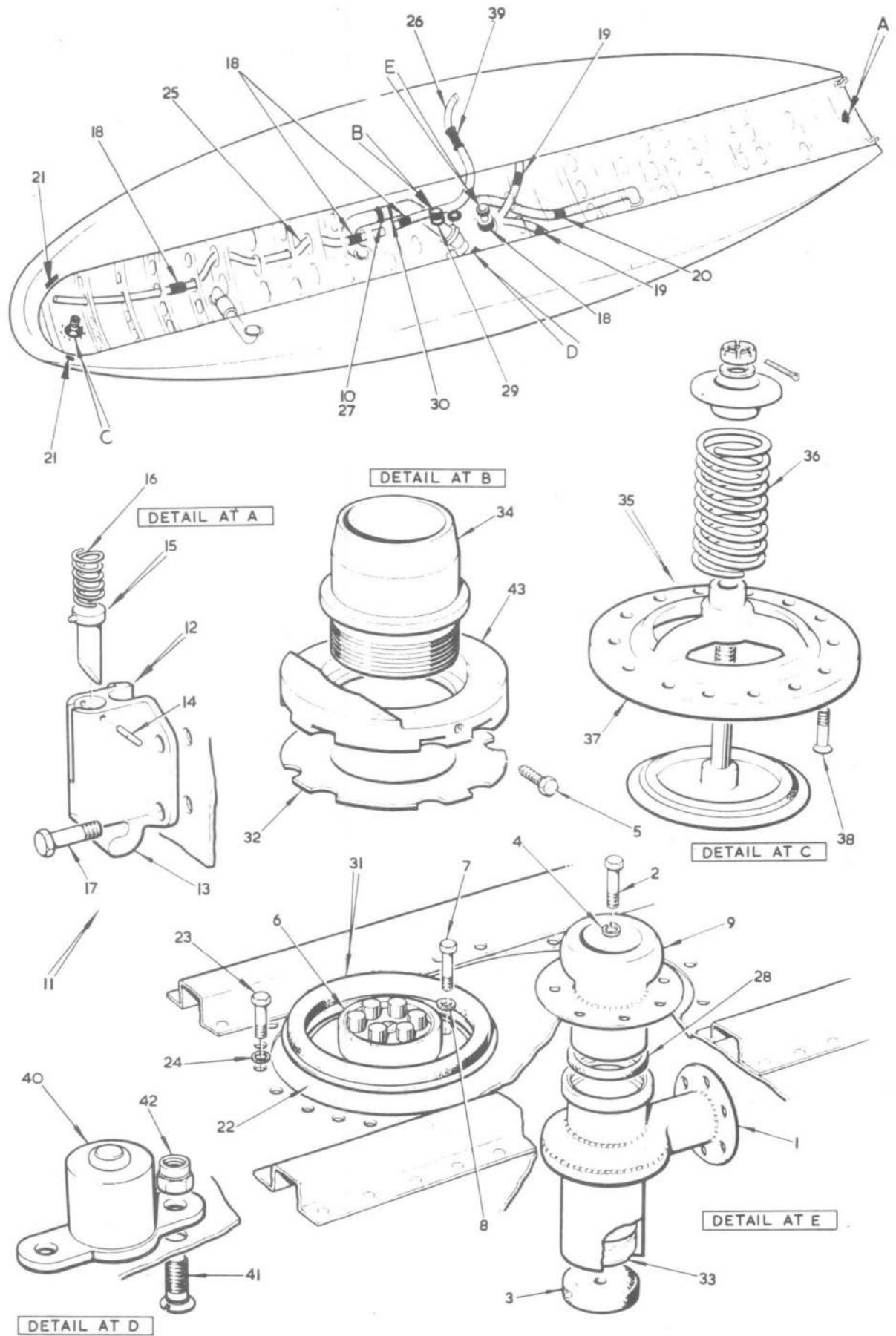


FIG. 3. TANKS - VENTRAL TANKS  
Restricted

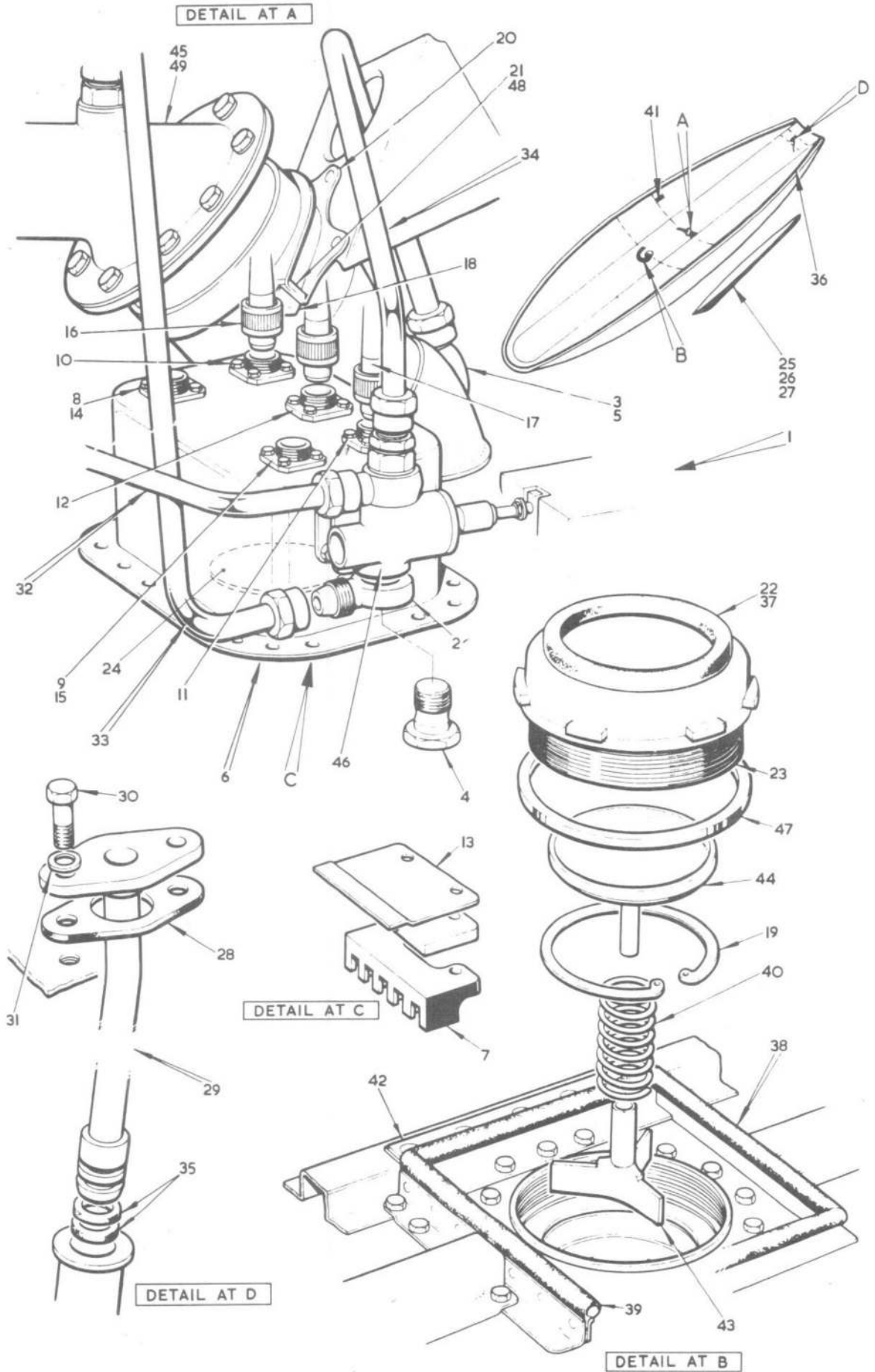
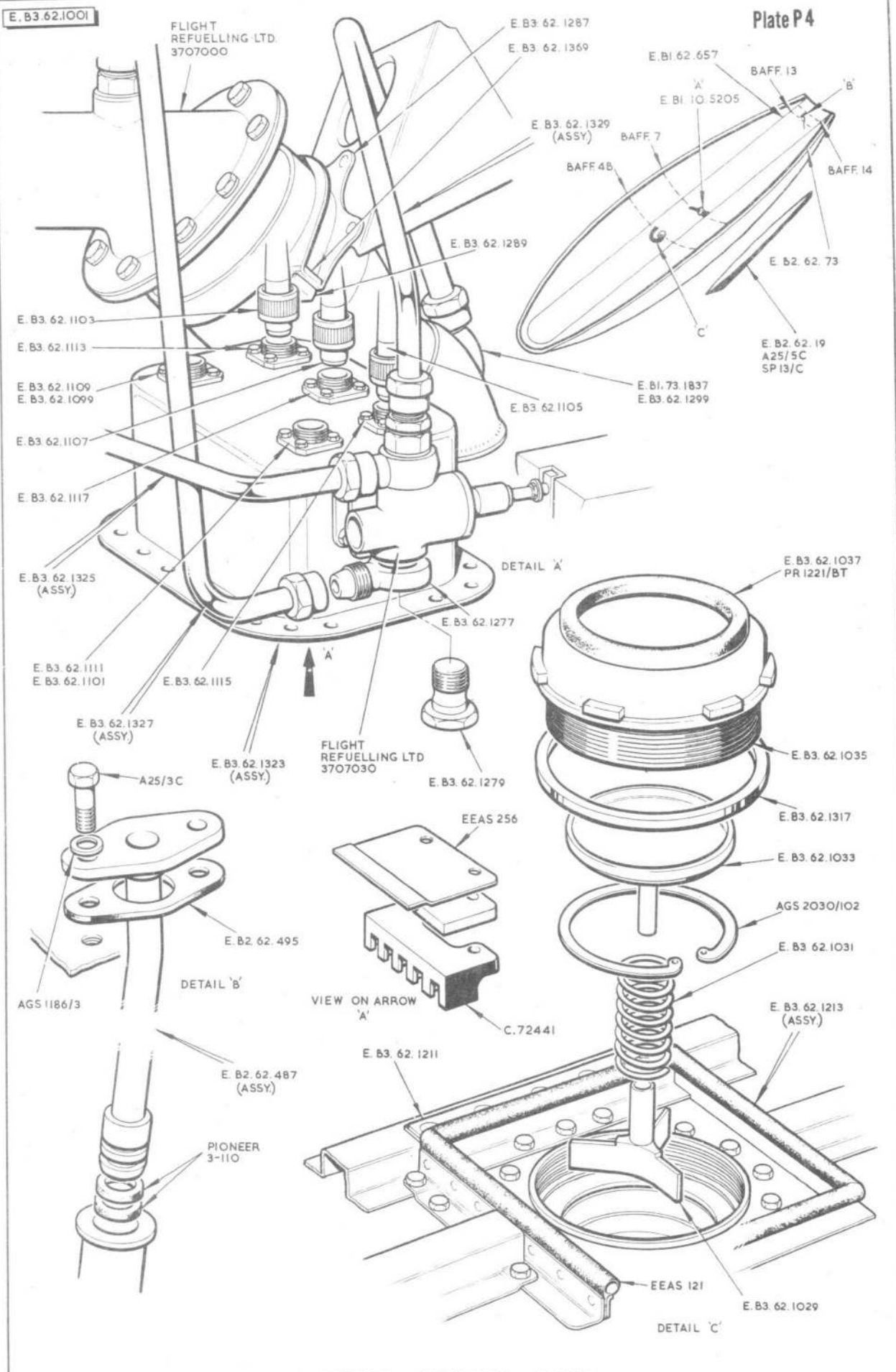
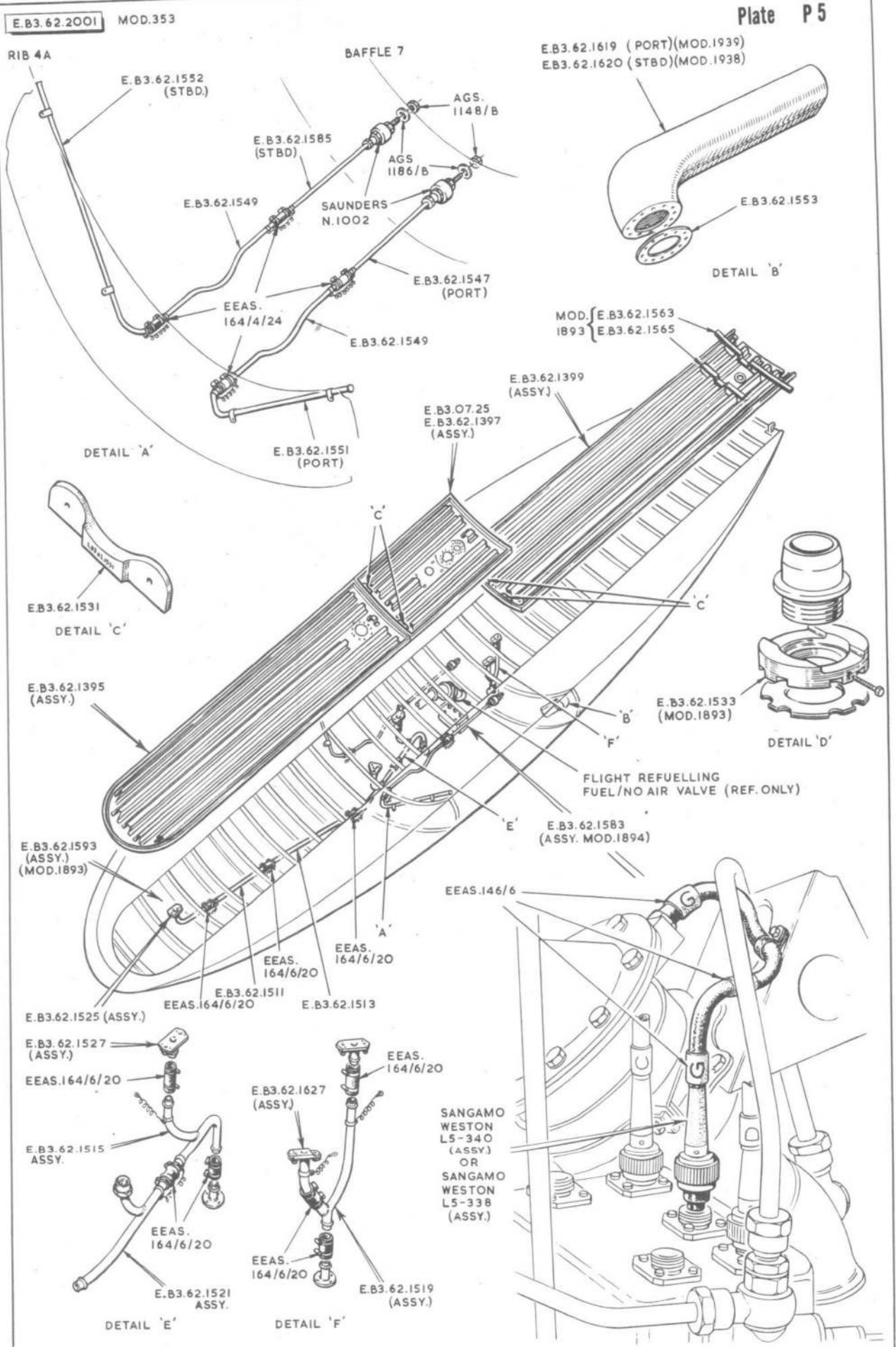


FIG.4. TANKS - VENTRAL TANKS  
Restricted



LIGHTNING F.MK.2

TANKS - VENTRAL TANK



LIGHTNING F.MK.2

TANKS - VENTRAL TANK

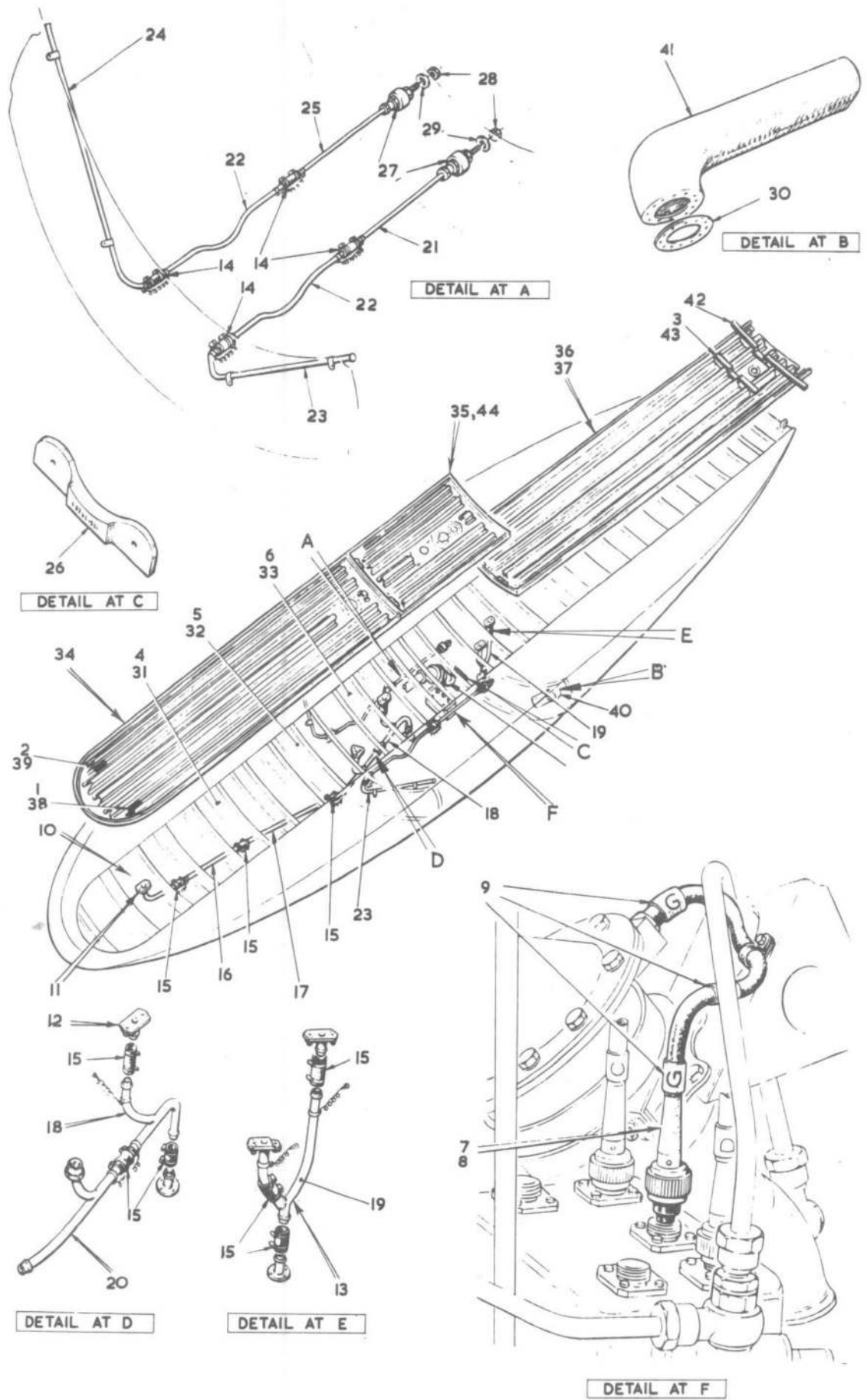


FIG.5 TANKS. VENTRAL TANKS.  
Restricted

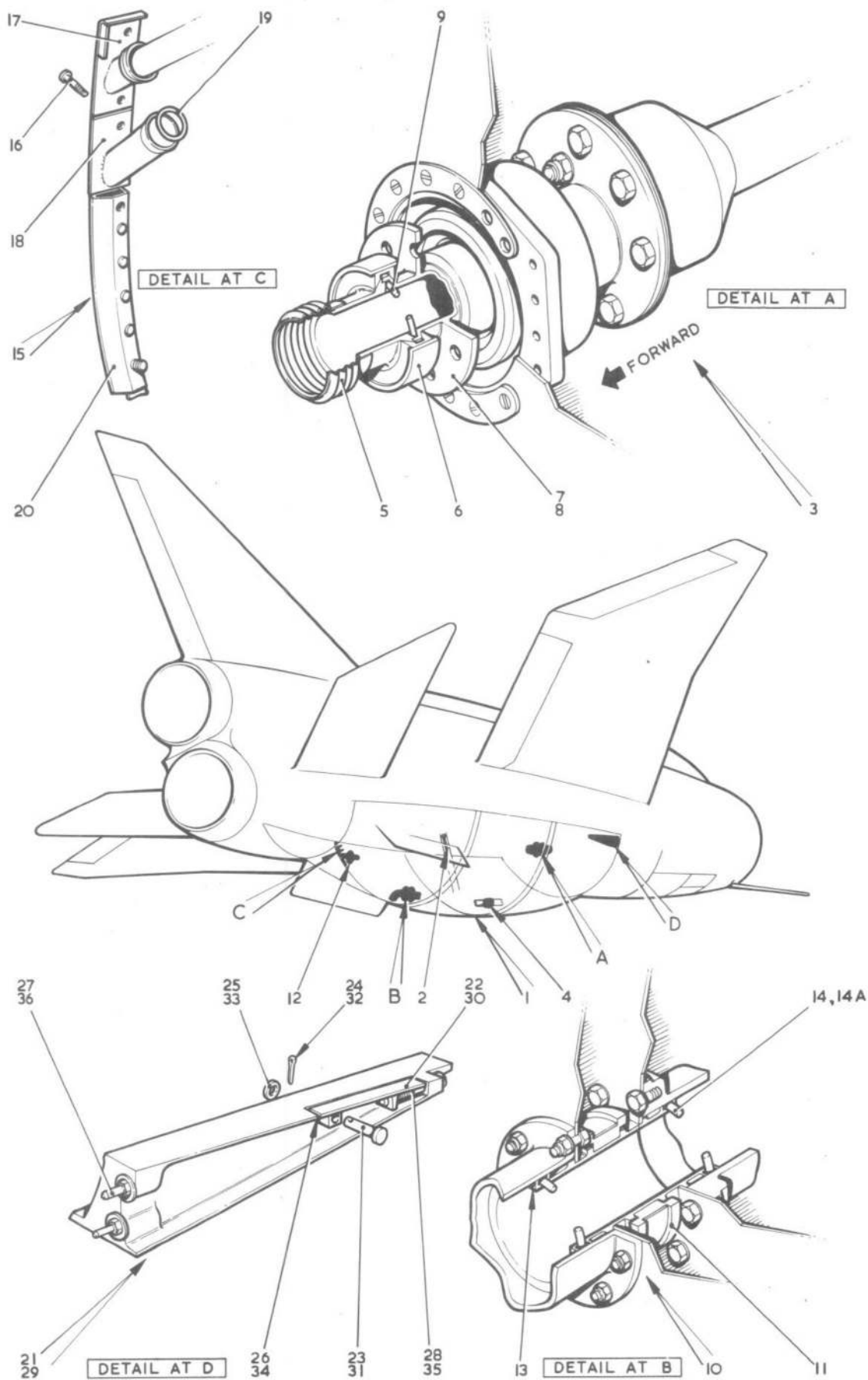


FIG. 6 TANKS ASSEMBLY OF TANKS AND FAIRINGS TO AIRCRAFT

Restricted

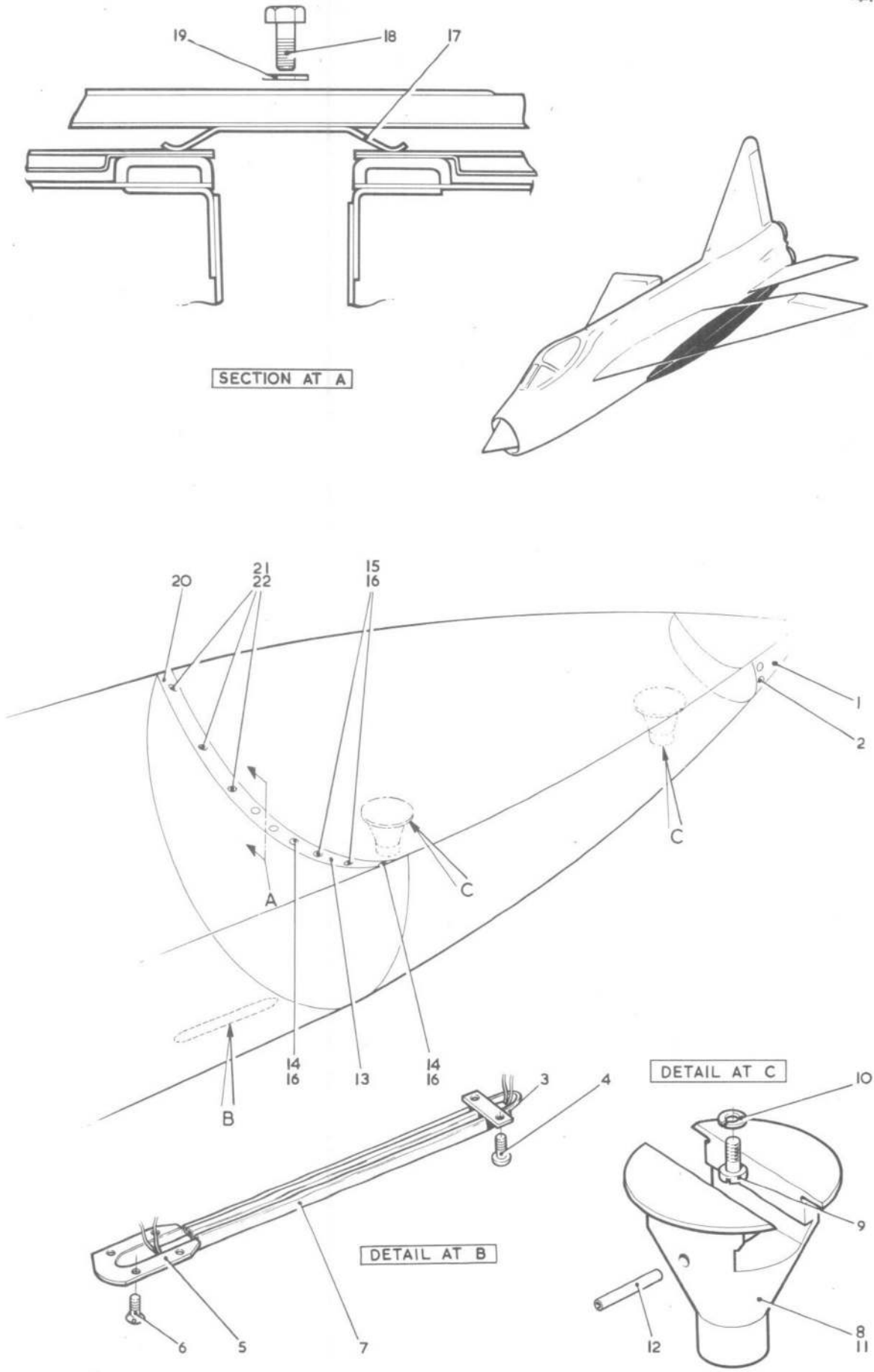


FIG. 7 TANKS ASSEMBLY OF TANKS AND FAIRINGS TO AIRCRAFT

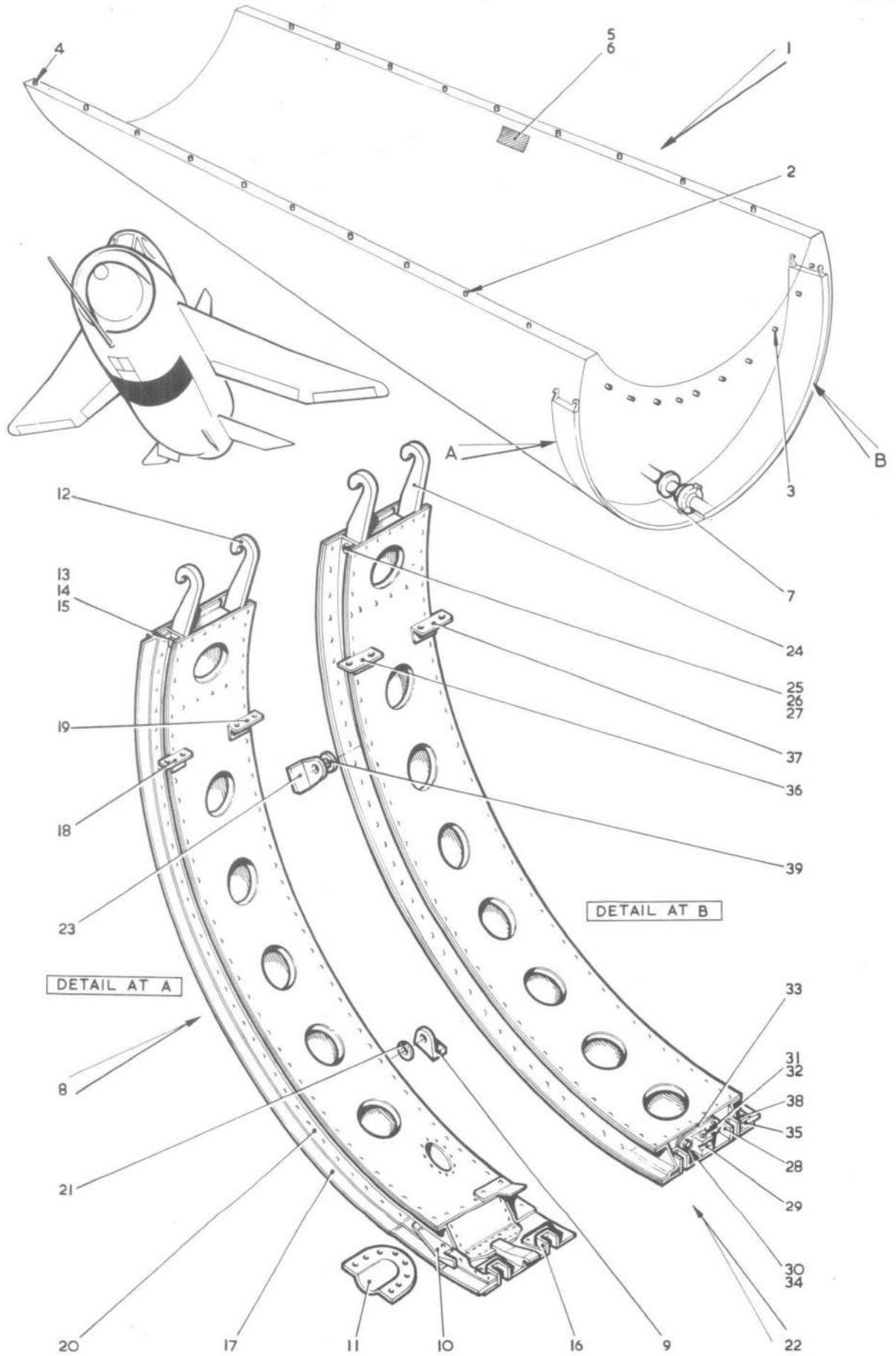


FIG. 8 TANKS, ASSEMBLY OF TANKS AND FAIRINGS TO AIRCRAFT

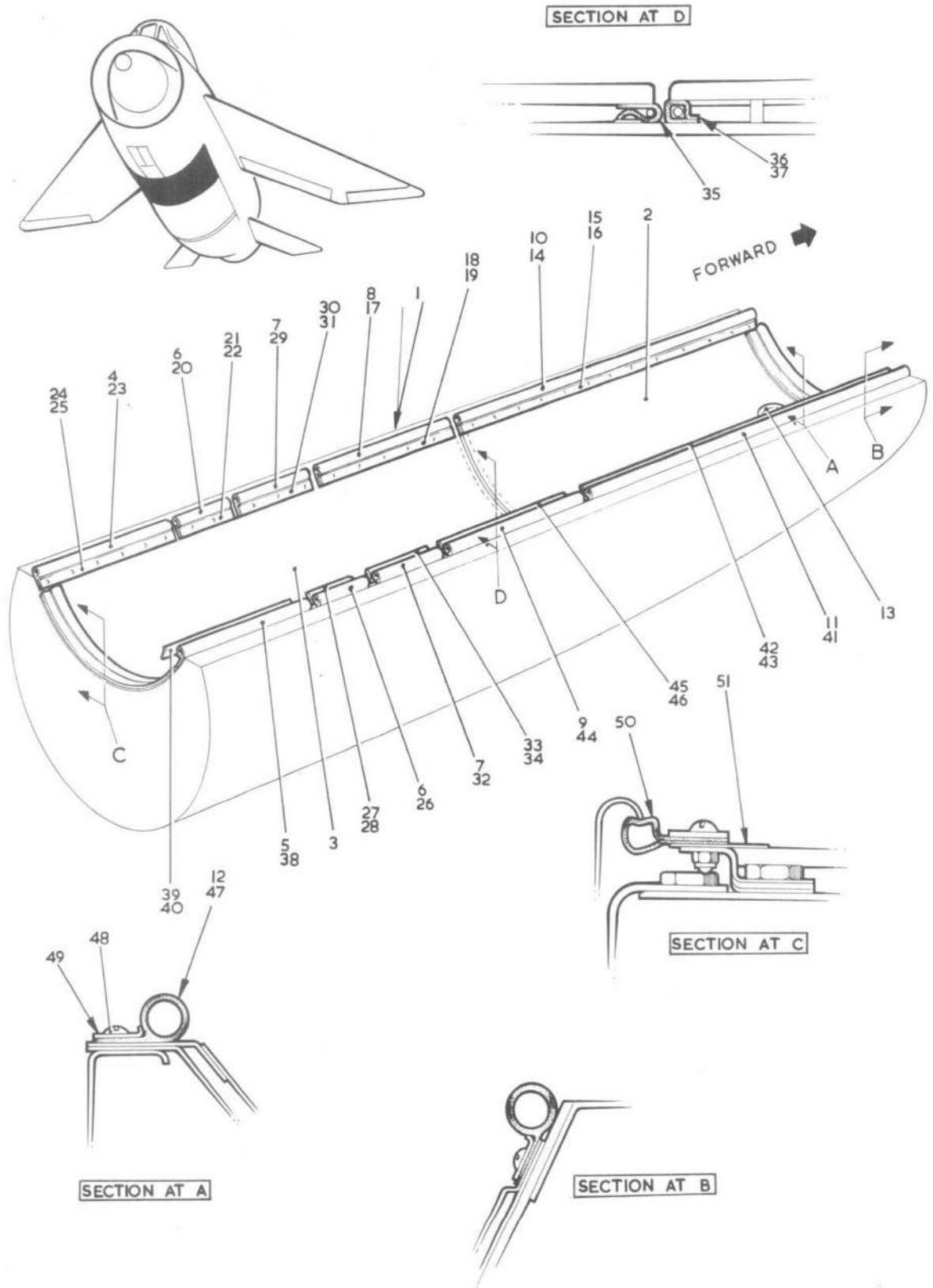


FIG. 9 TANKS, ASSEMBLY OF TANKS AND FAIRINGS TO AIRCRAFT

F. MK. 2/2A SECT. P

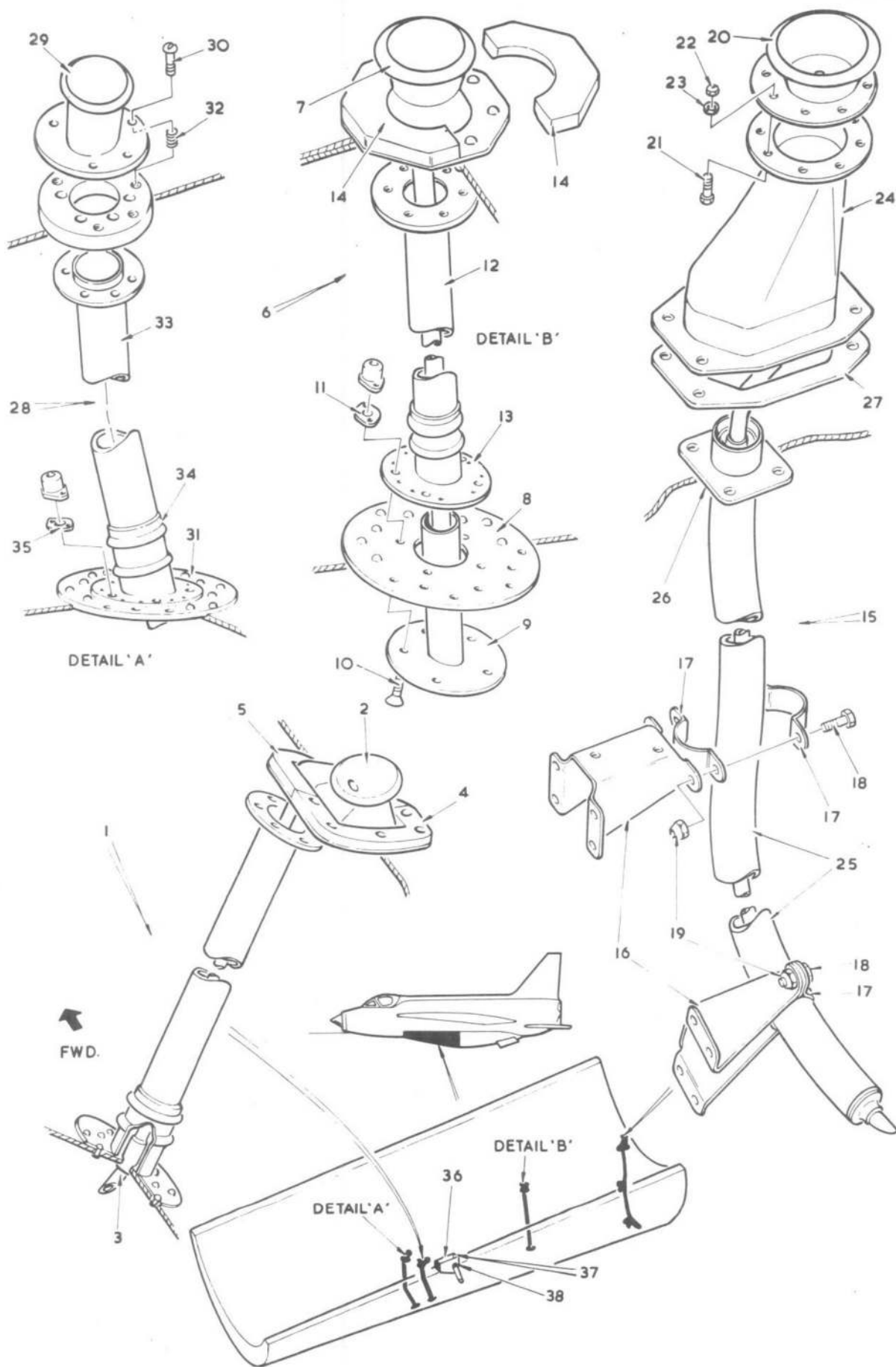


FIG.10 TANKS ASSEMBLY OF TANKS AND FAIRINGS TO AIRCRAFT  
Restricted

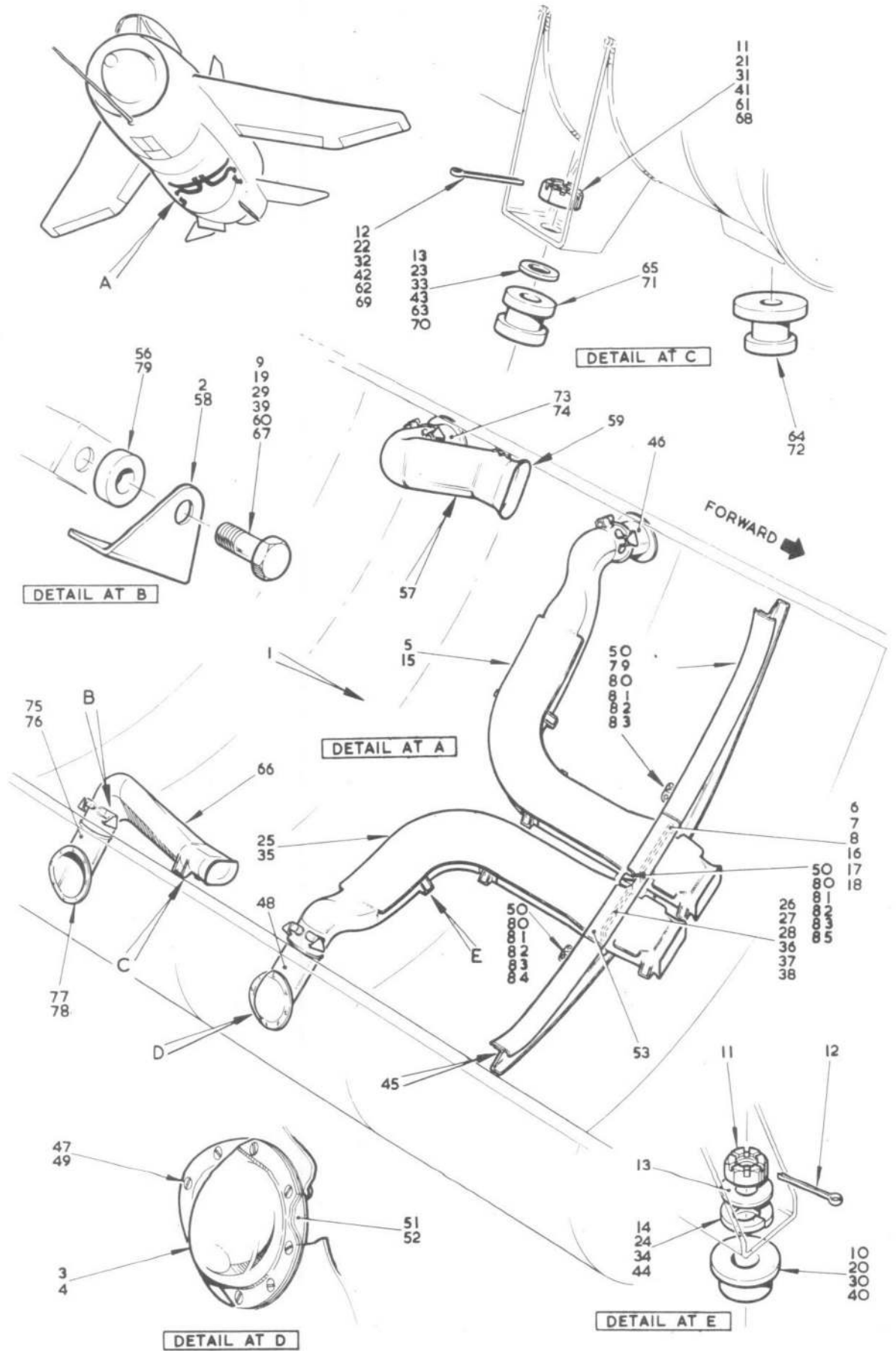


FIG. II TANKS-ASSEMBLY OF TANKS AND FAIRINGS TO AIRCRAFT

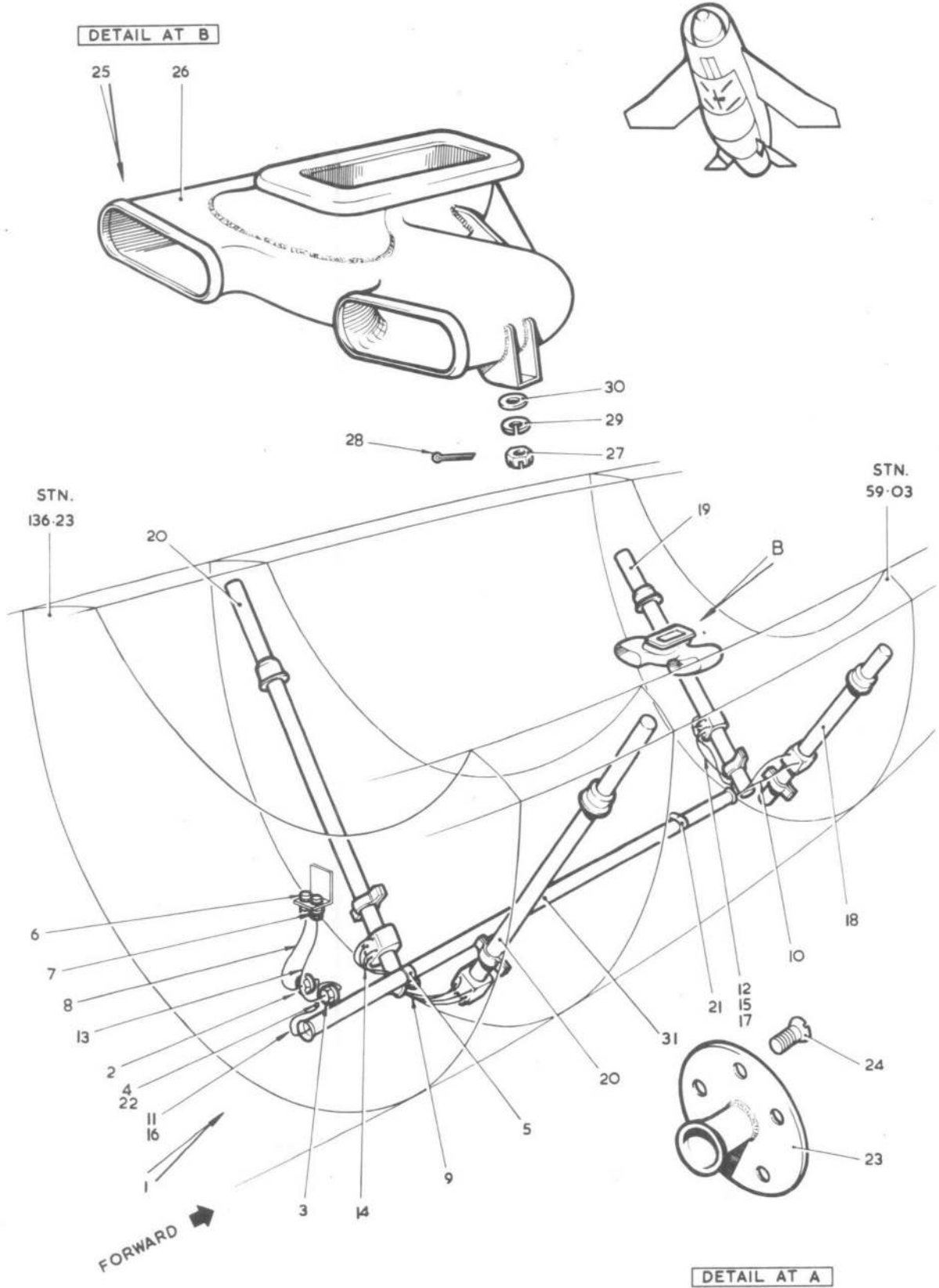


FIG.12 TANKS, ASSEMBLY OF TANKS AND FAIRINGS TO AIRCRAFT

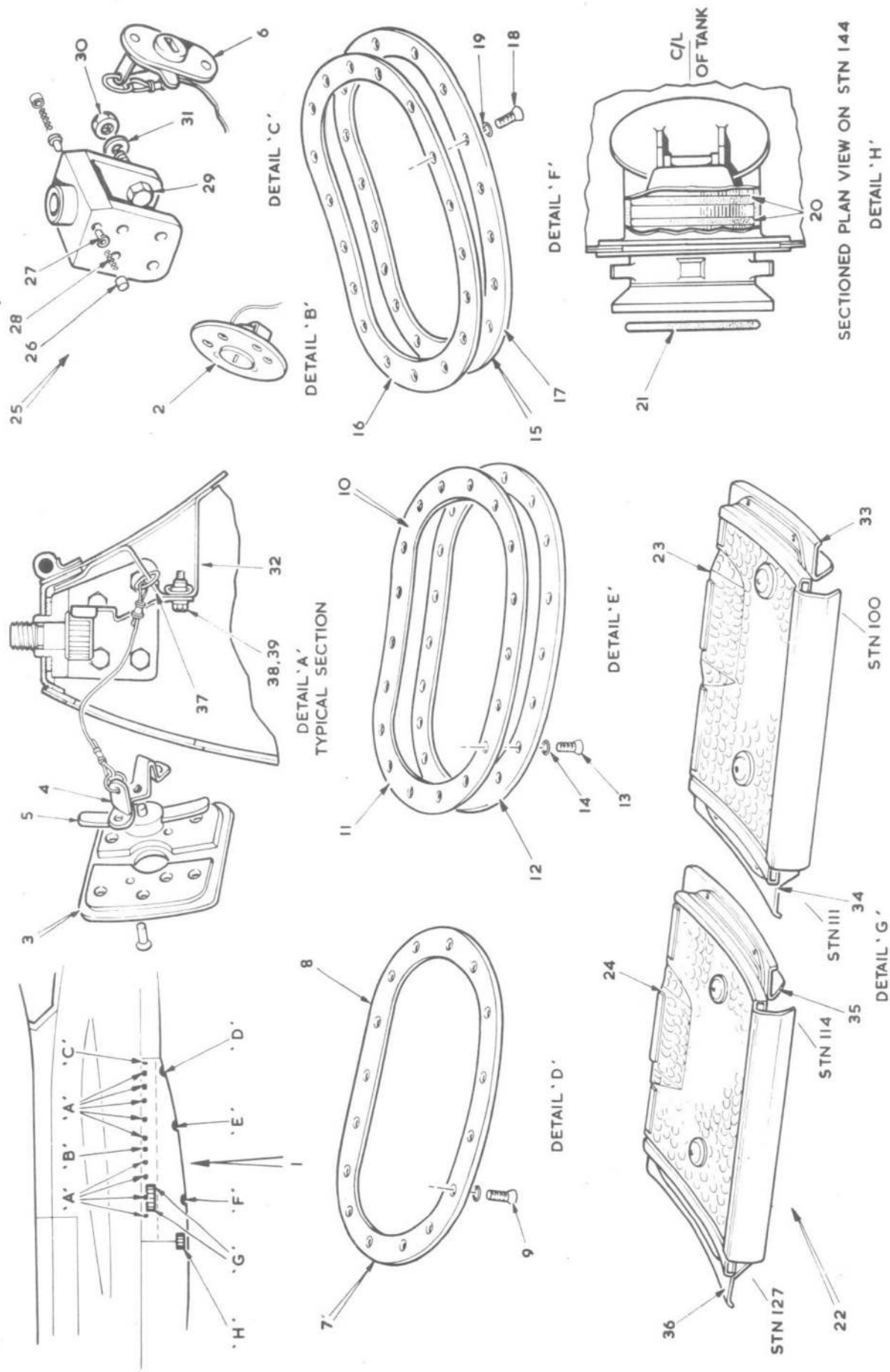


FIG.13 TANKS, ASSEMBLY OF TANKS AND FAIRINGS TO AIRCRAFT

Restricted

A.L. 46

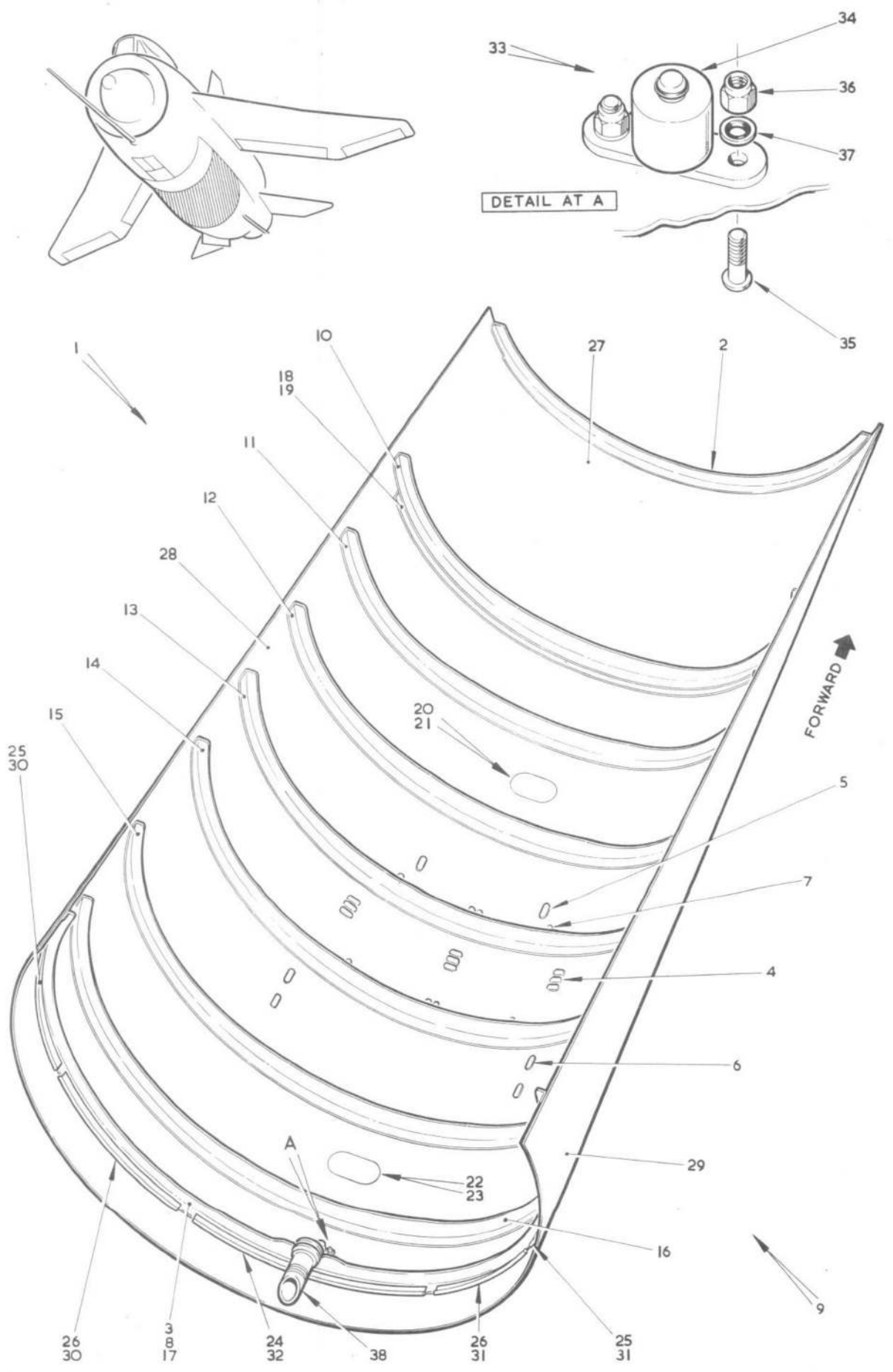


FIG.14 TANKS, ASSEMBLY OF TANKS AND FAIRING TO AIRCRAFT

Restricted

F.M.K. 2/2A SECT P

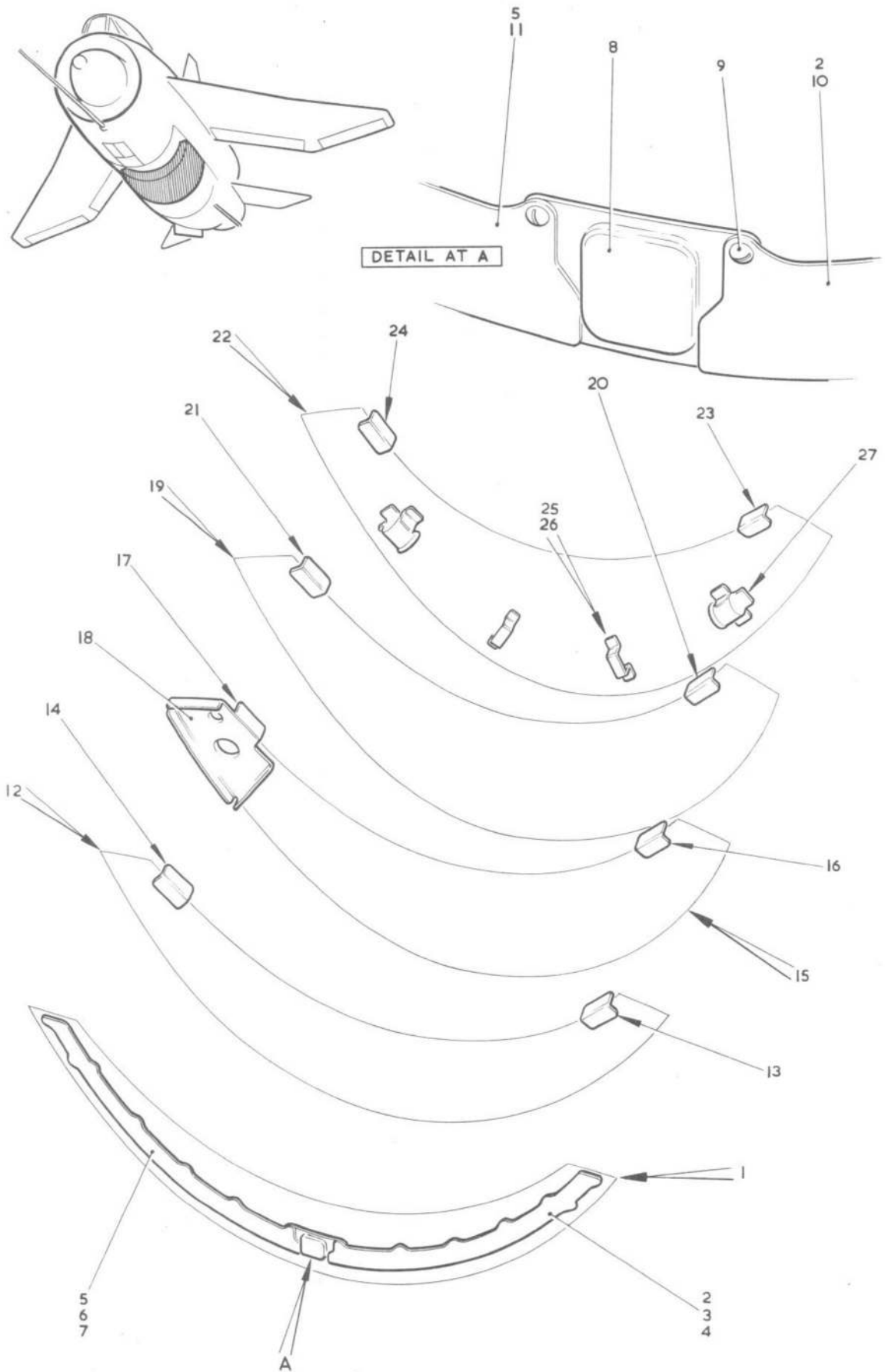


FIG.15 TANKS-ASSEMBLY OF TANKS AND FAIRINGS TO AIRCRAFT

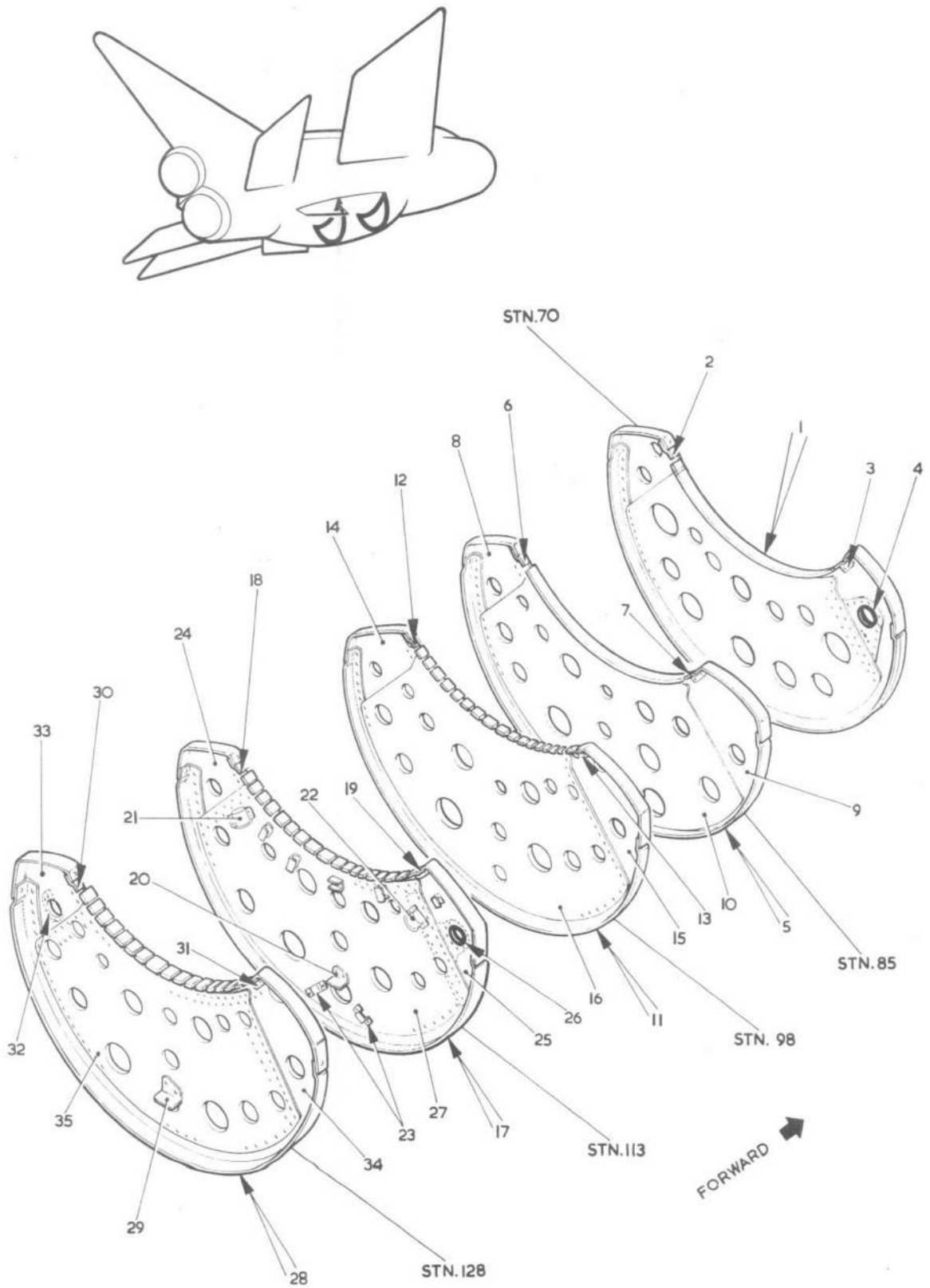


FIG.16. TANKS-ASSEMBLY OF TANKS AND FAIRINGS TO AIRCRAFT

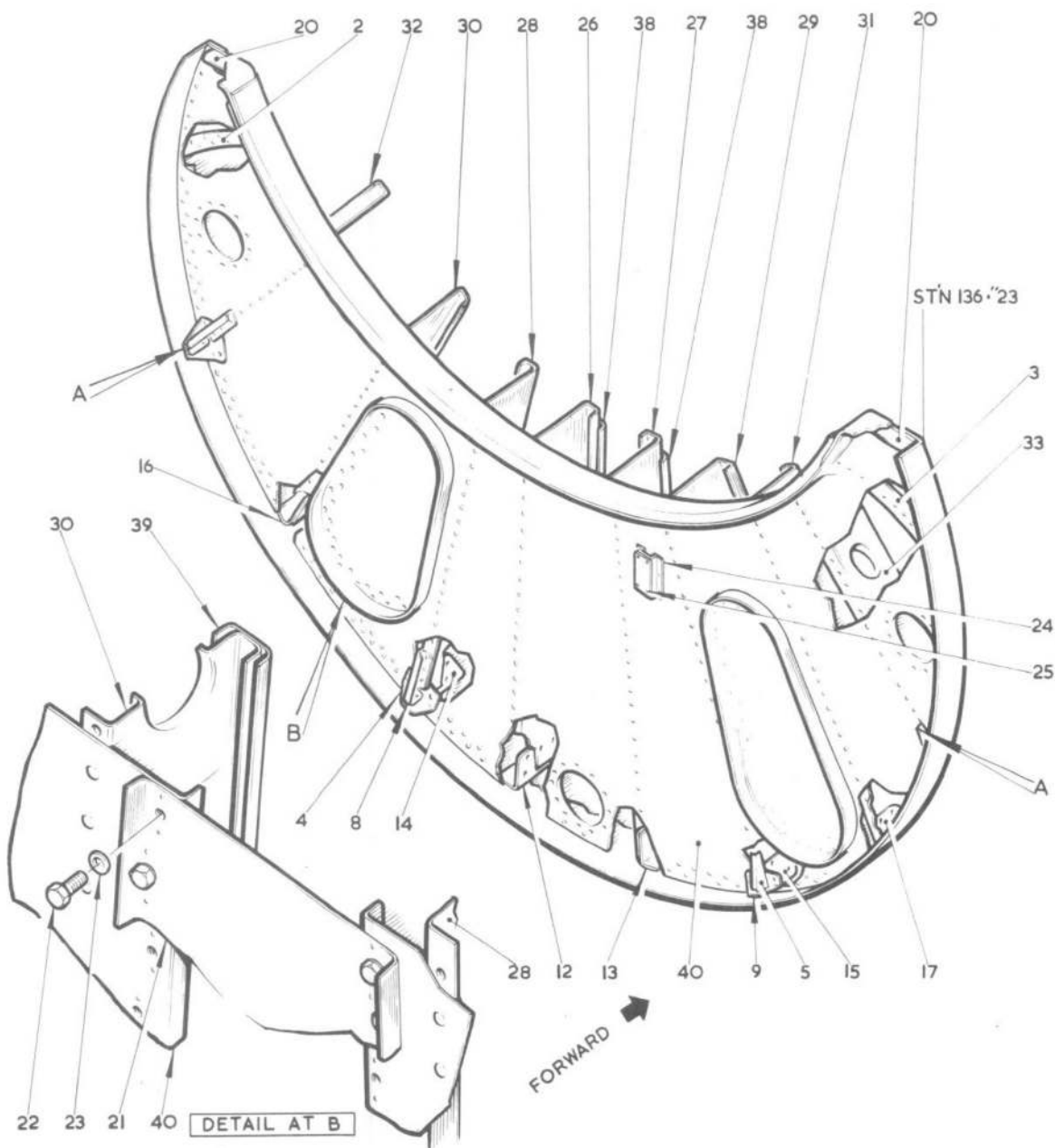
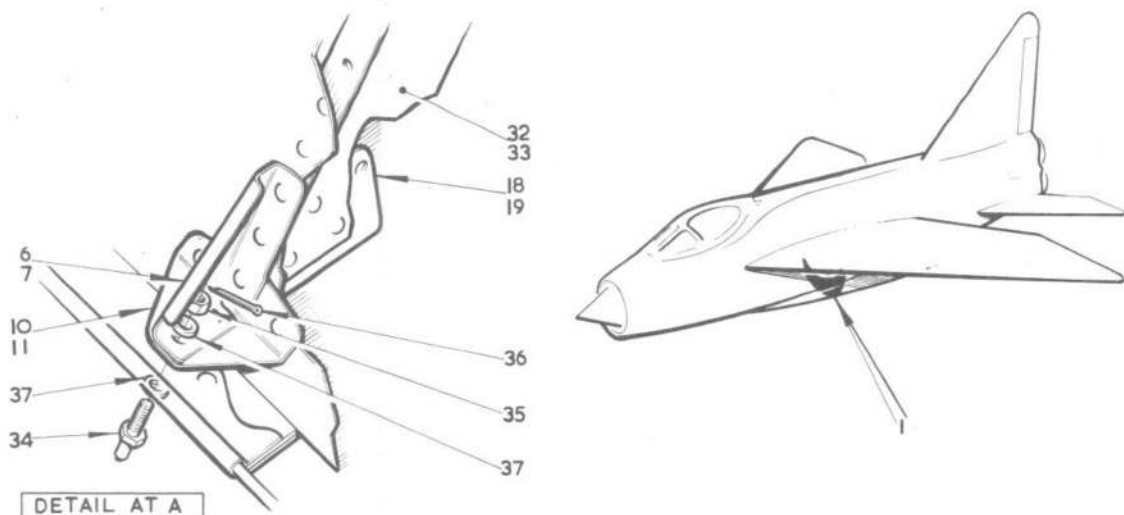


FIG.17 TANKS, ASSEMBLY OF TANKS AND FAIRINGS TO AIRCRAFT

FMK2/2A SECT.P

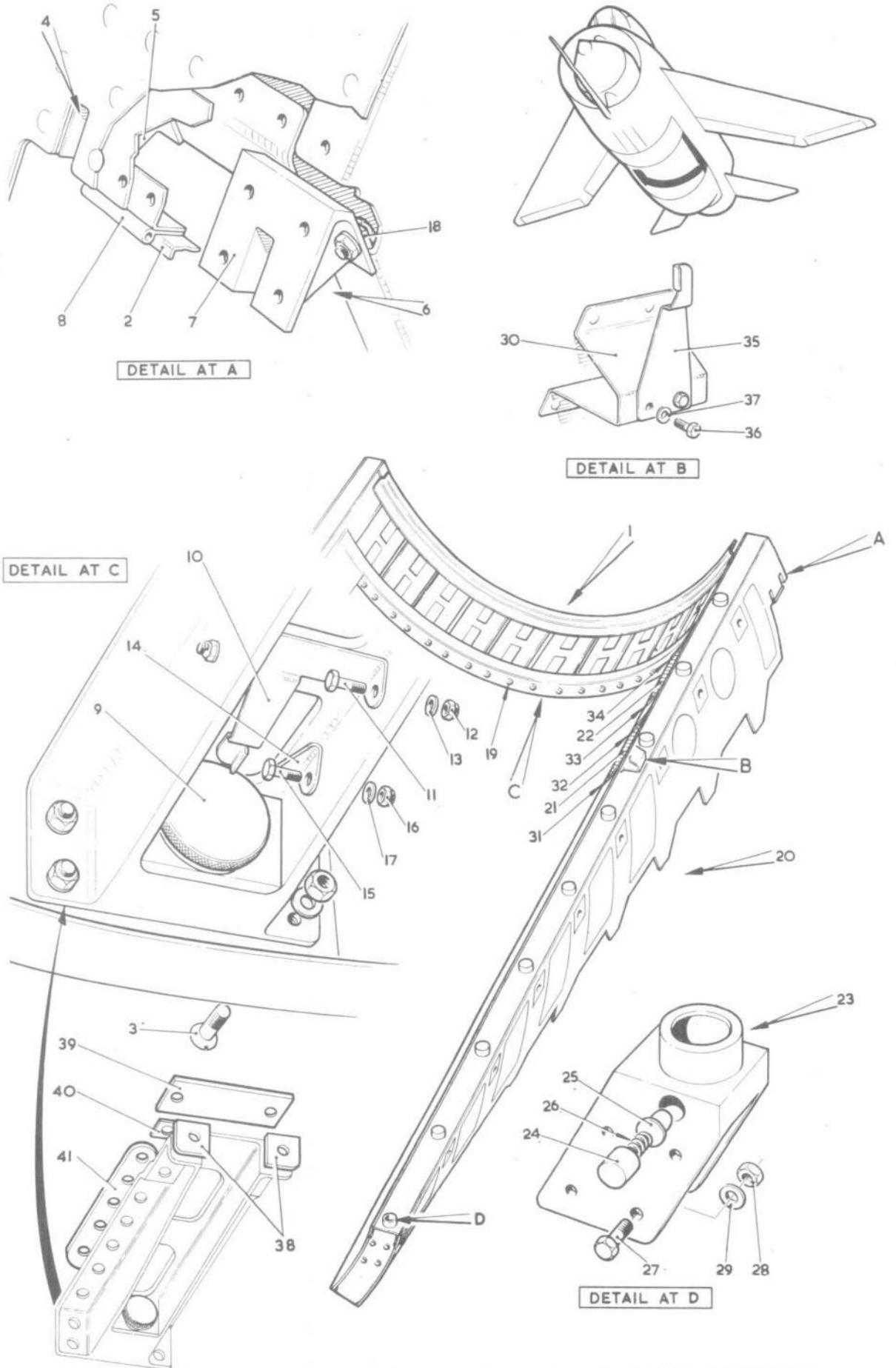


FIG 18. TANKS- ASSEMBLY OF TANKS AND FAIRINGS TO AIRCRAFT.

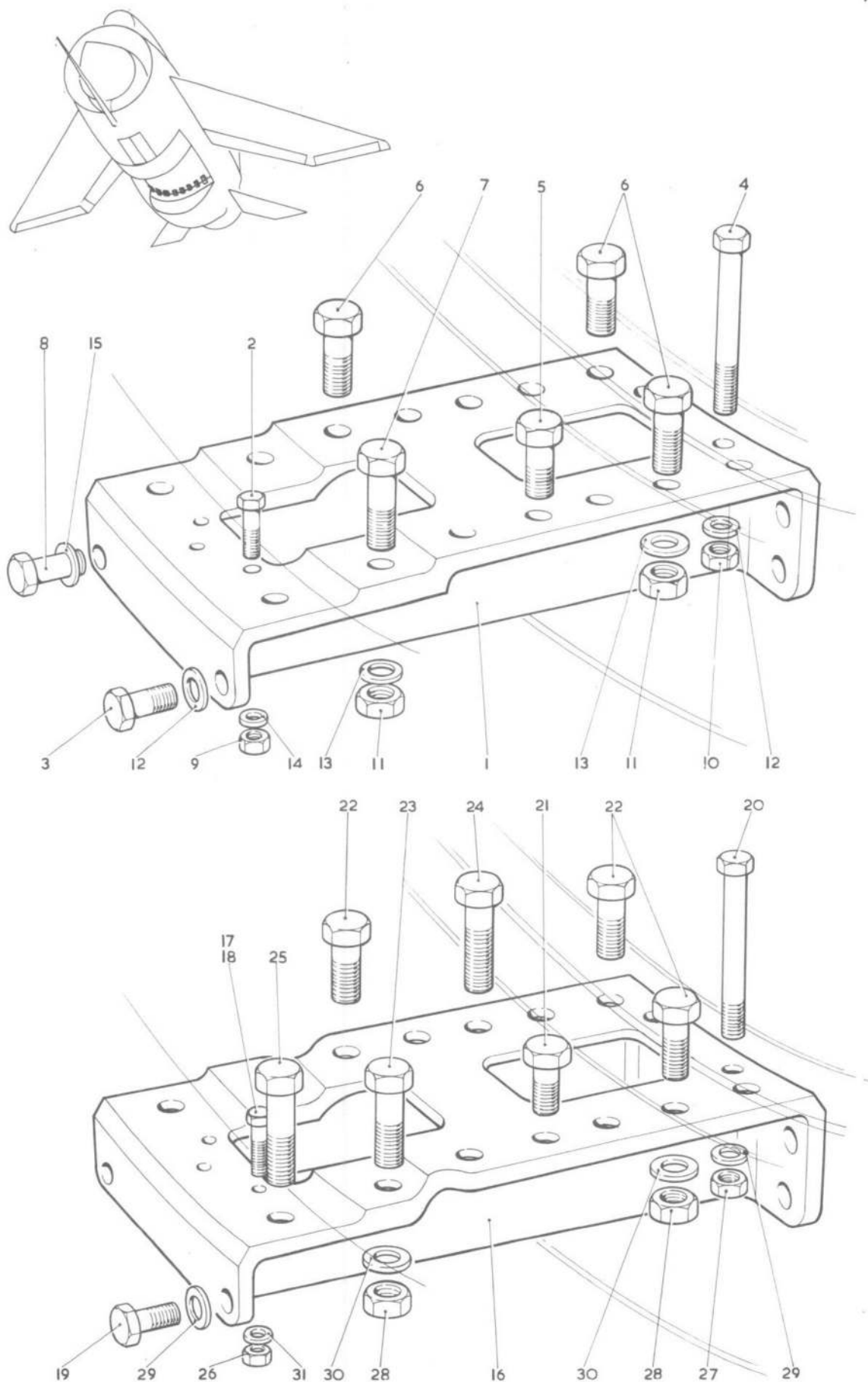


FIG.19 TANKS-ASSEMBLY OF TANKS AND FAIRINGS TO AIRCRAFT

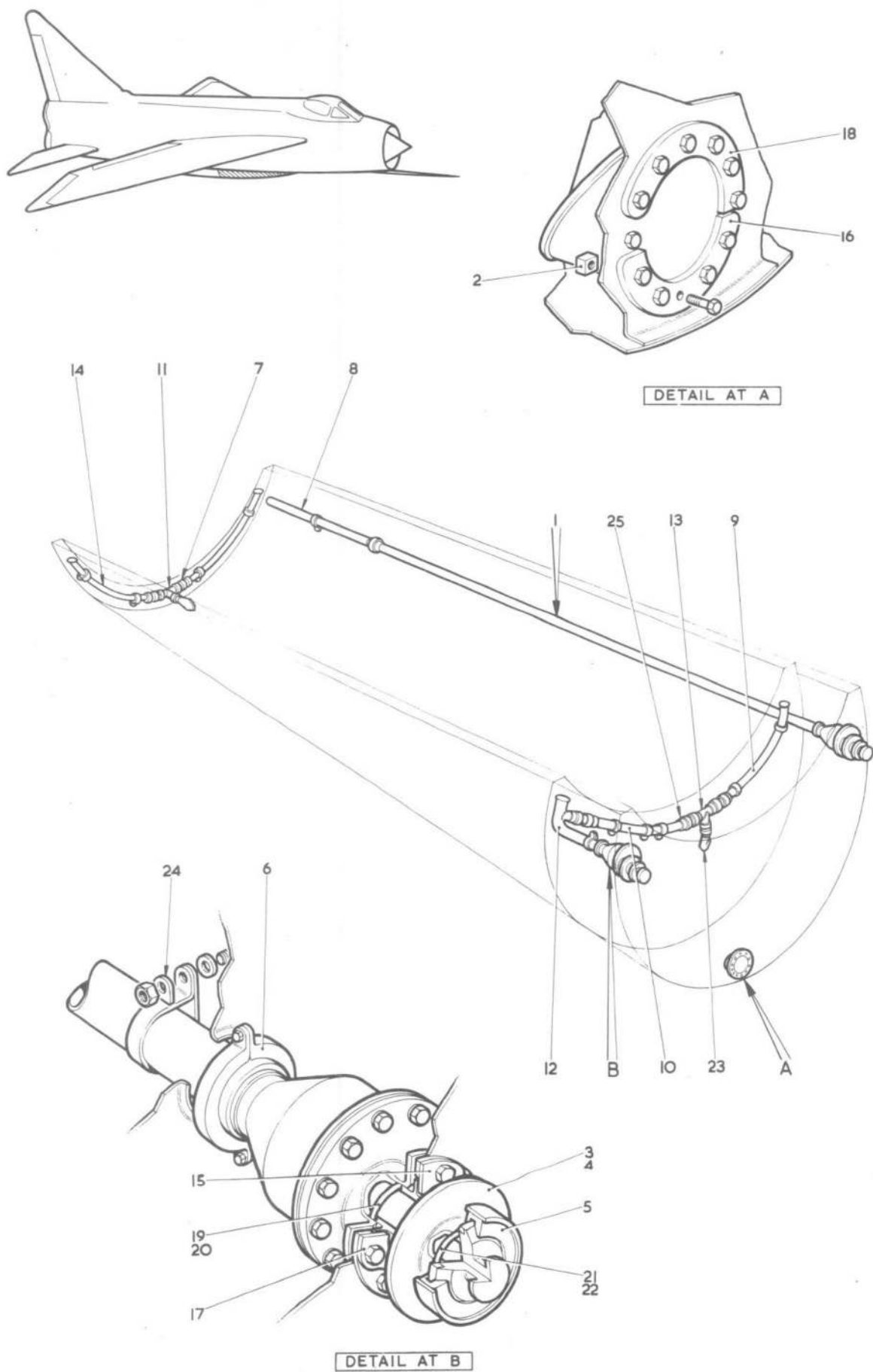


FIG.20 TANKS,ASSEMBLY OF TANKS AND FAIRINGS TO AIRCRAFT  
Restricted

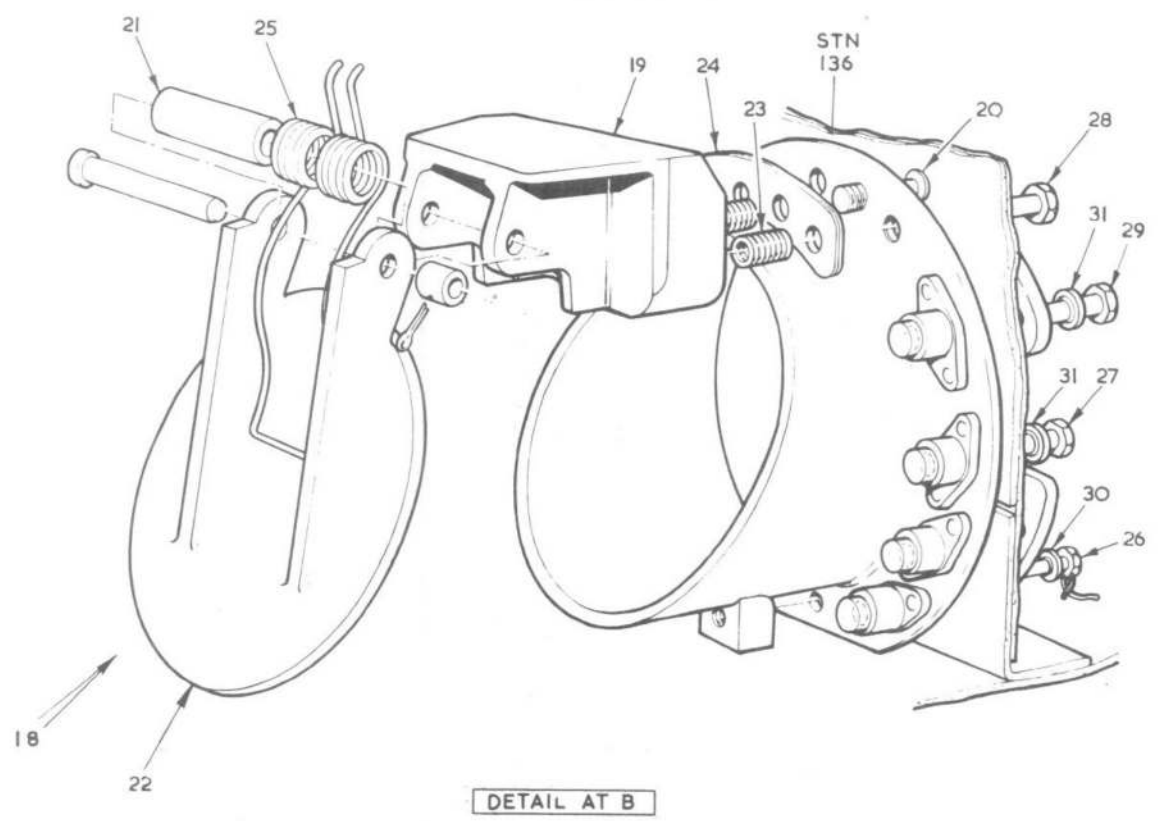
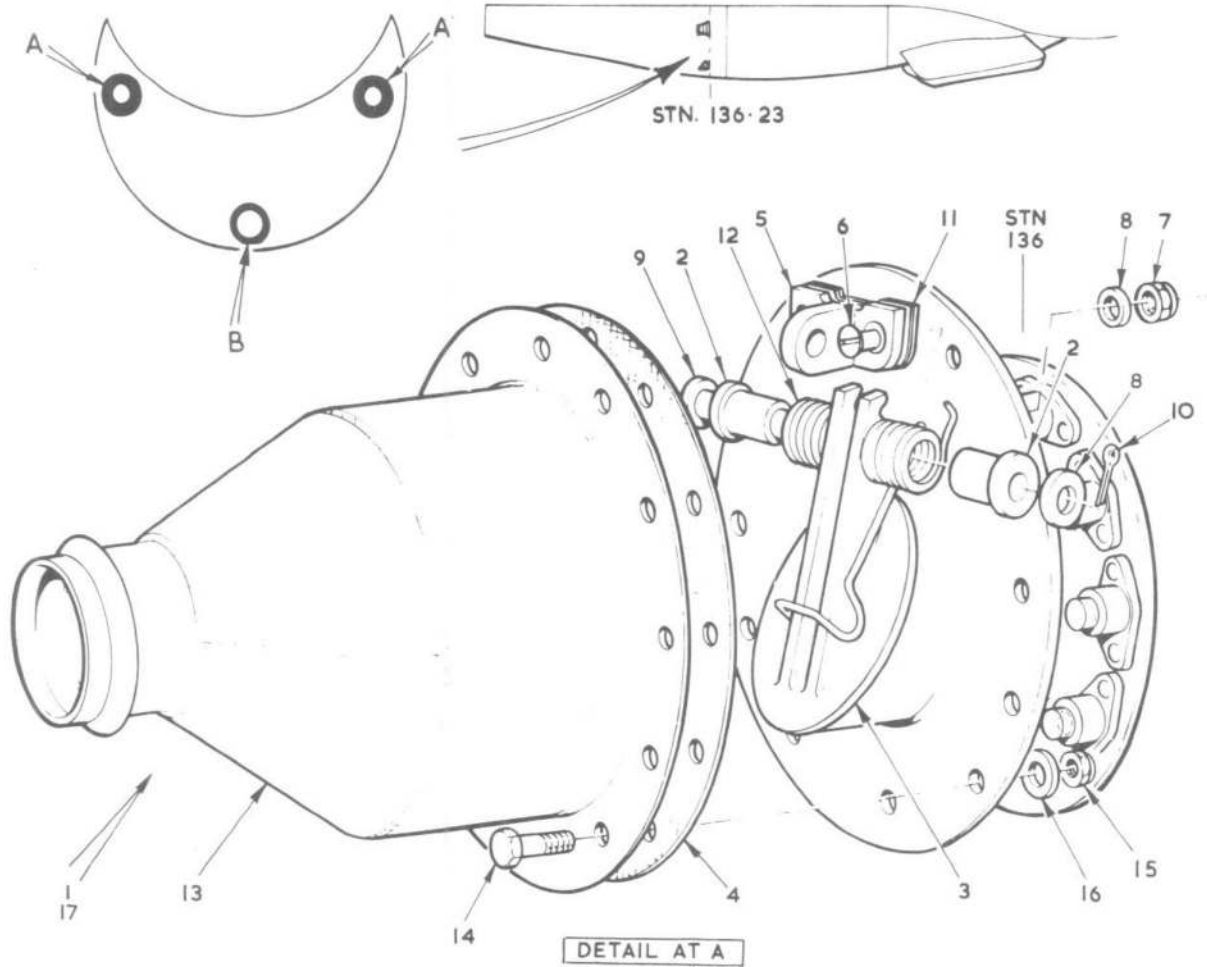


FIG 21. ASSEMBLY OF TANKS AND FAIRINGS TO AIRCRAFT

Restricted

AL.48

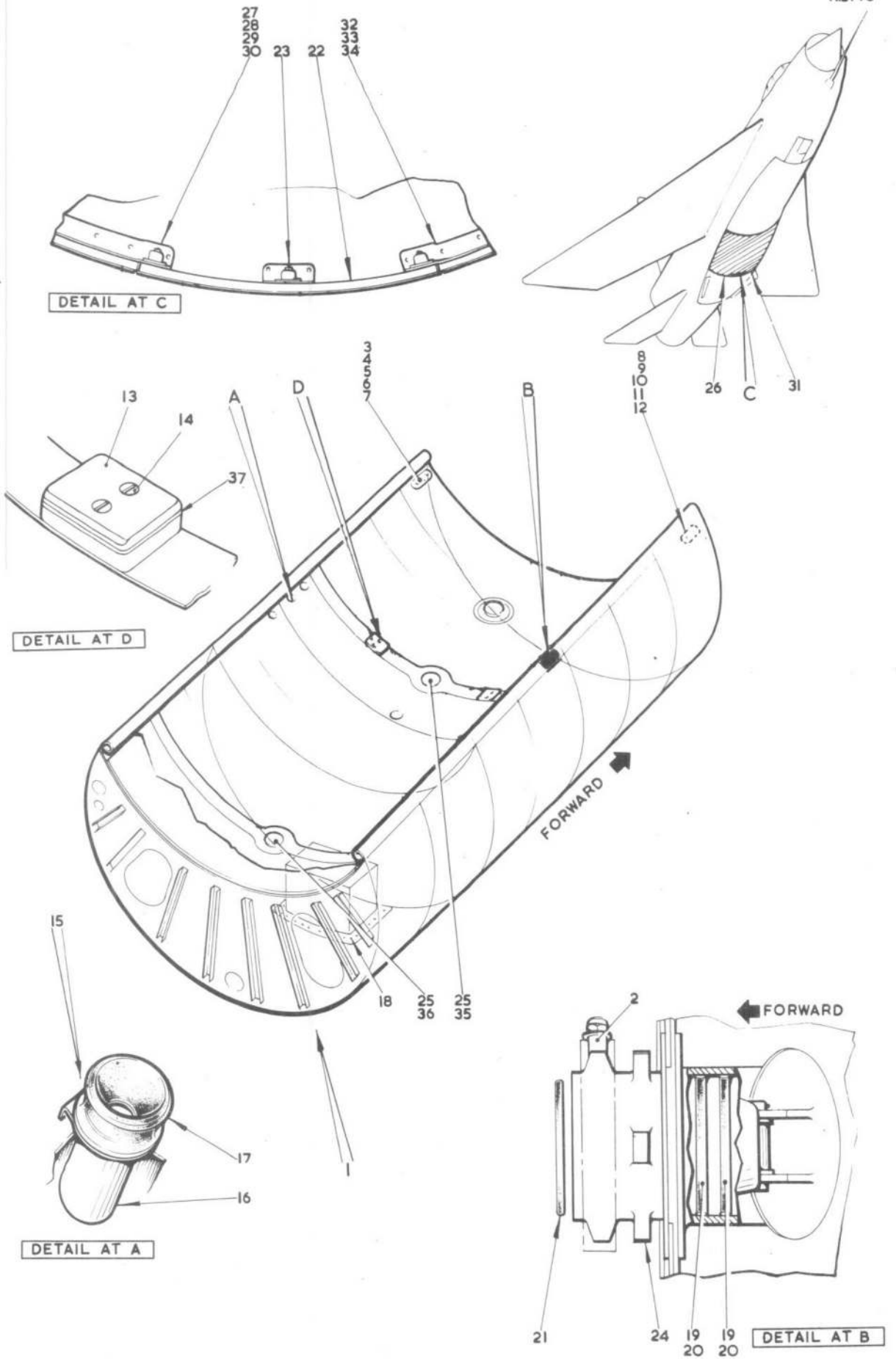


FIG.22 TANKS, ASSEMBLY OF TANKS AND FAIRINGS TO AIRCRAFT

Restricted

F. MK2/2A SECT. P

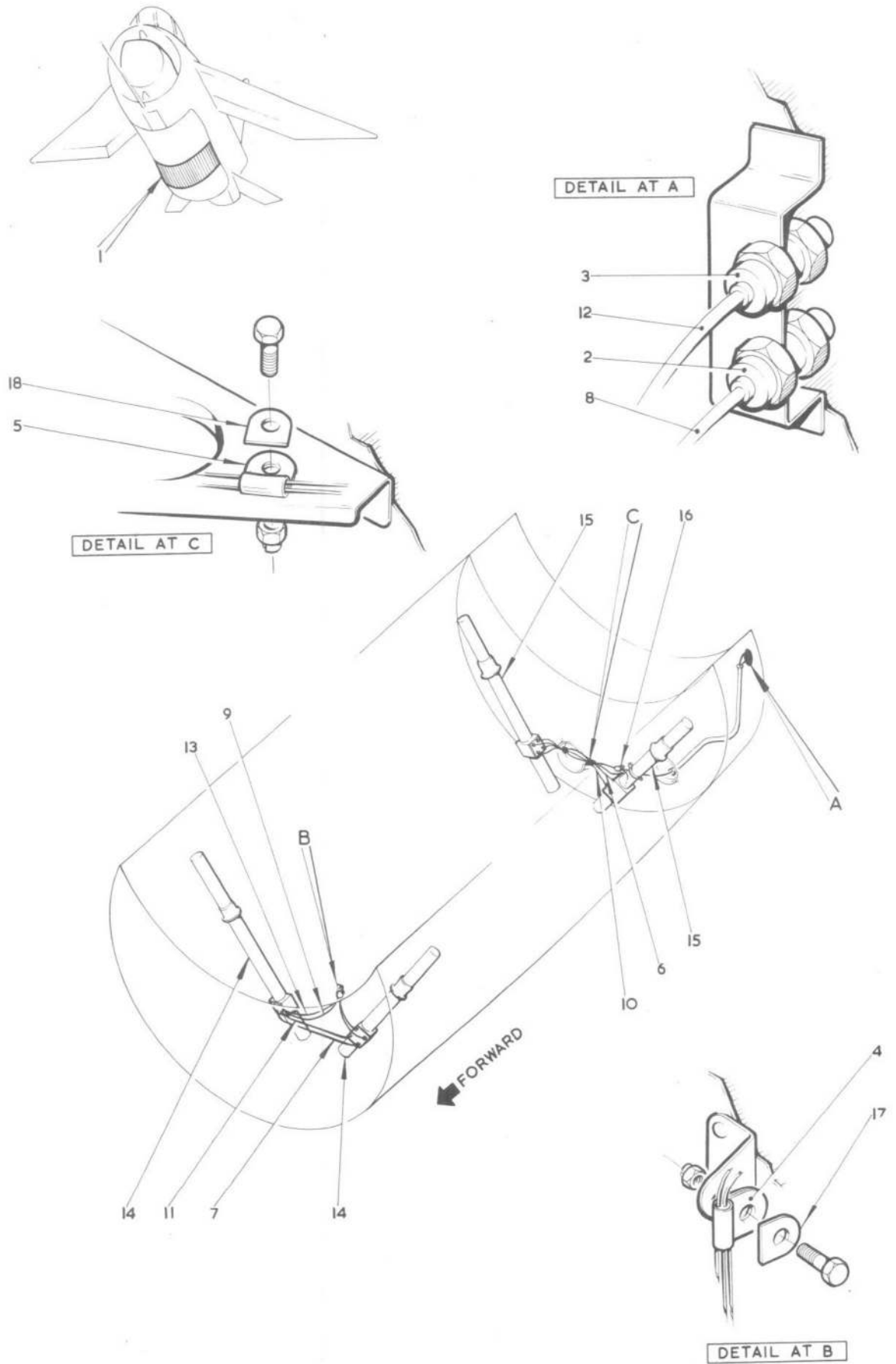


FIG.23 TANKS, ASSEMBLY OF TANKS AND FAIRINGS TO AIRCRAFT  
Restricted

F.MK 2/2A SECT. P

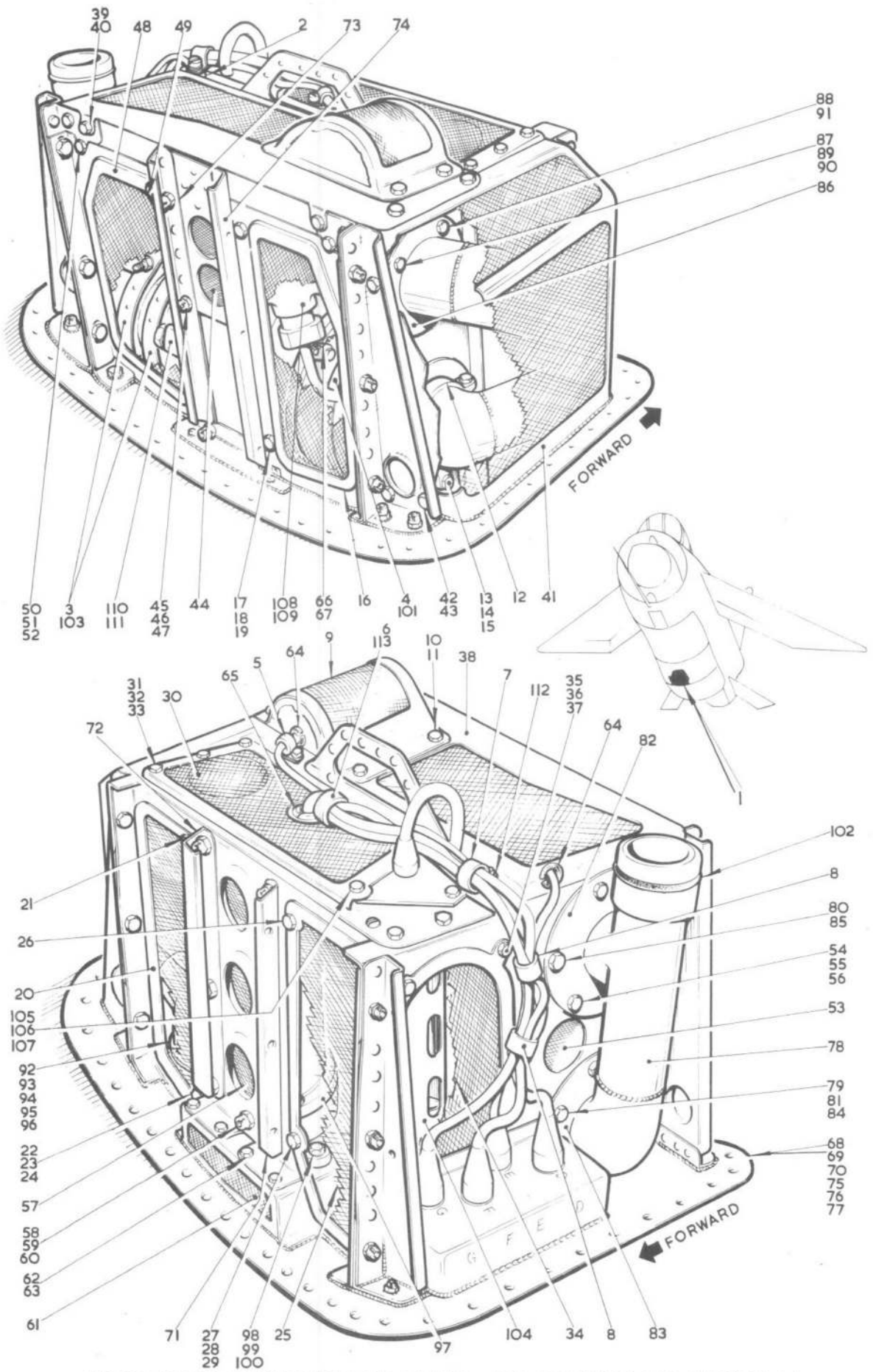


FIG.24 TANKS, ASSEMBLY OF TANKS AND FAIRINGS TO AIRCRAFT

F.MK2/2A SECT. P

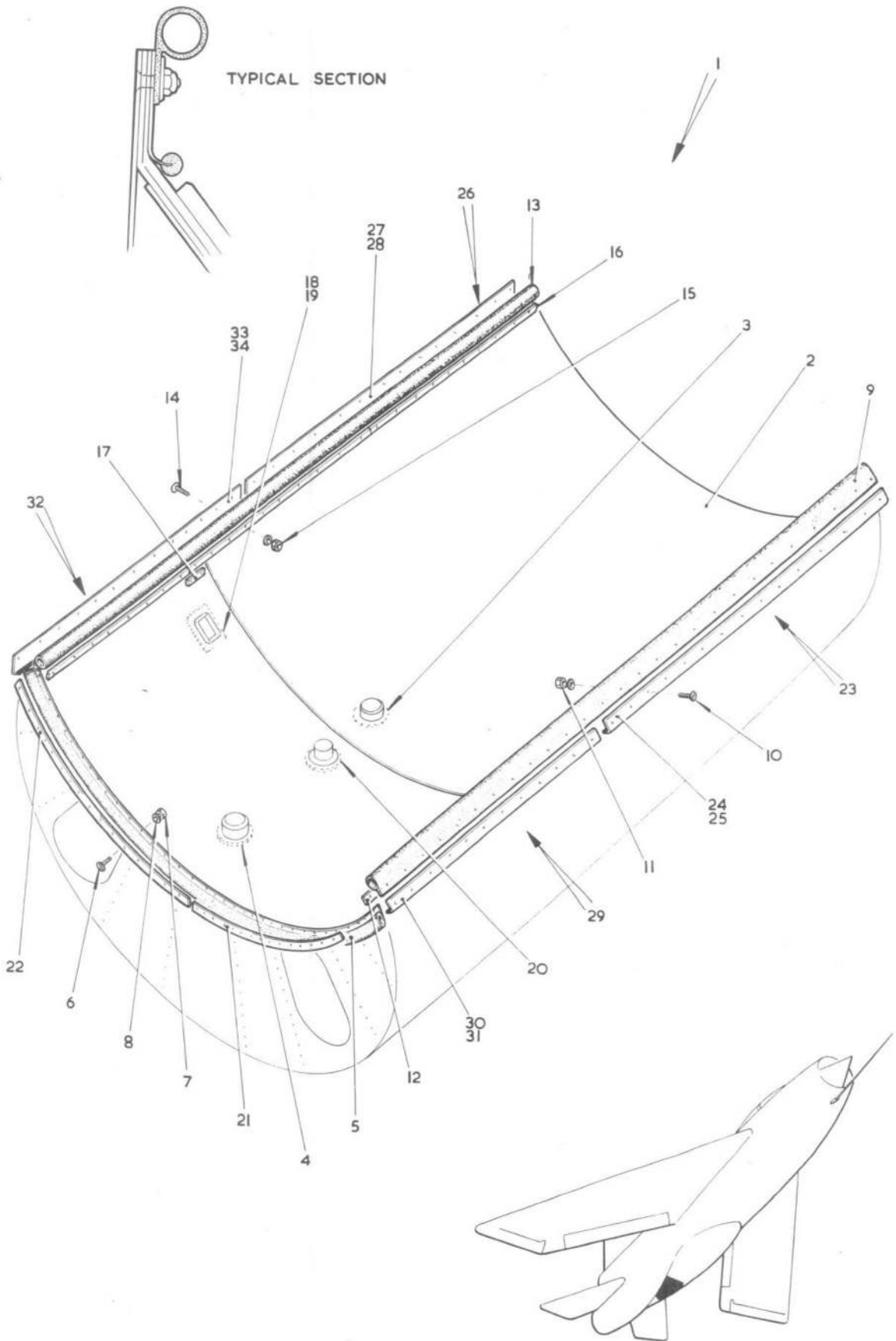


FIG. 25 TANKS, ASSEMBLY OF TANKS AND FAIRINGS TO AIRCRAFT  
Restricted F. MK. 2 & 2A SECT. P.

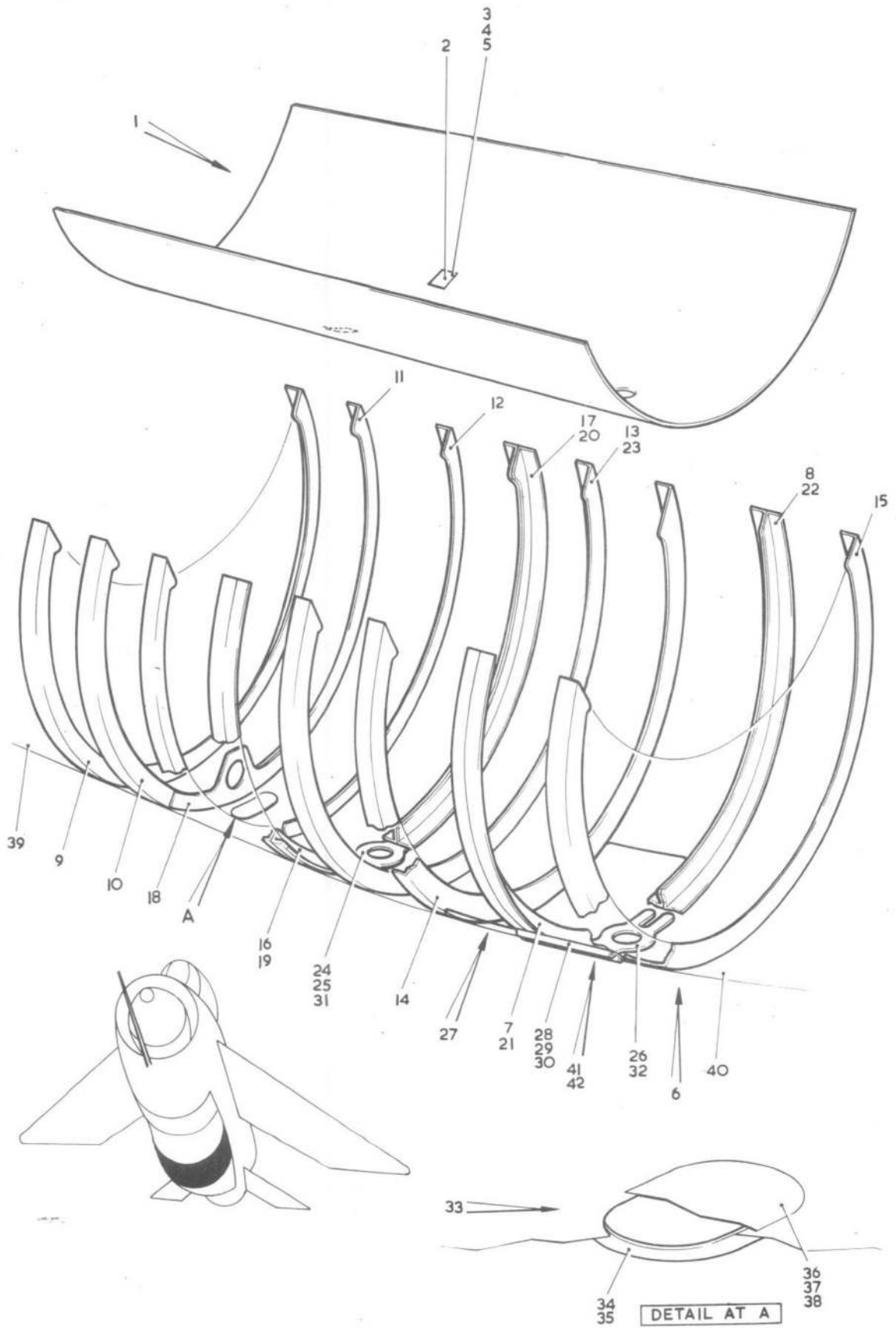


FIG.26 TANKS, ASSEMBLY OF TANKS AND FAIRINGS TO AIRCRAFT

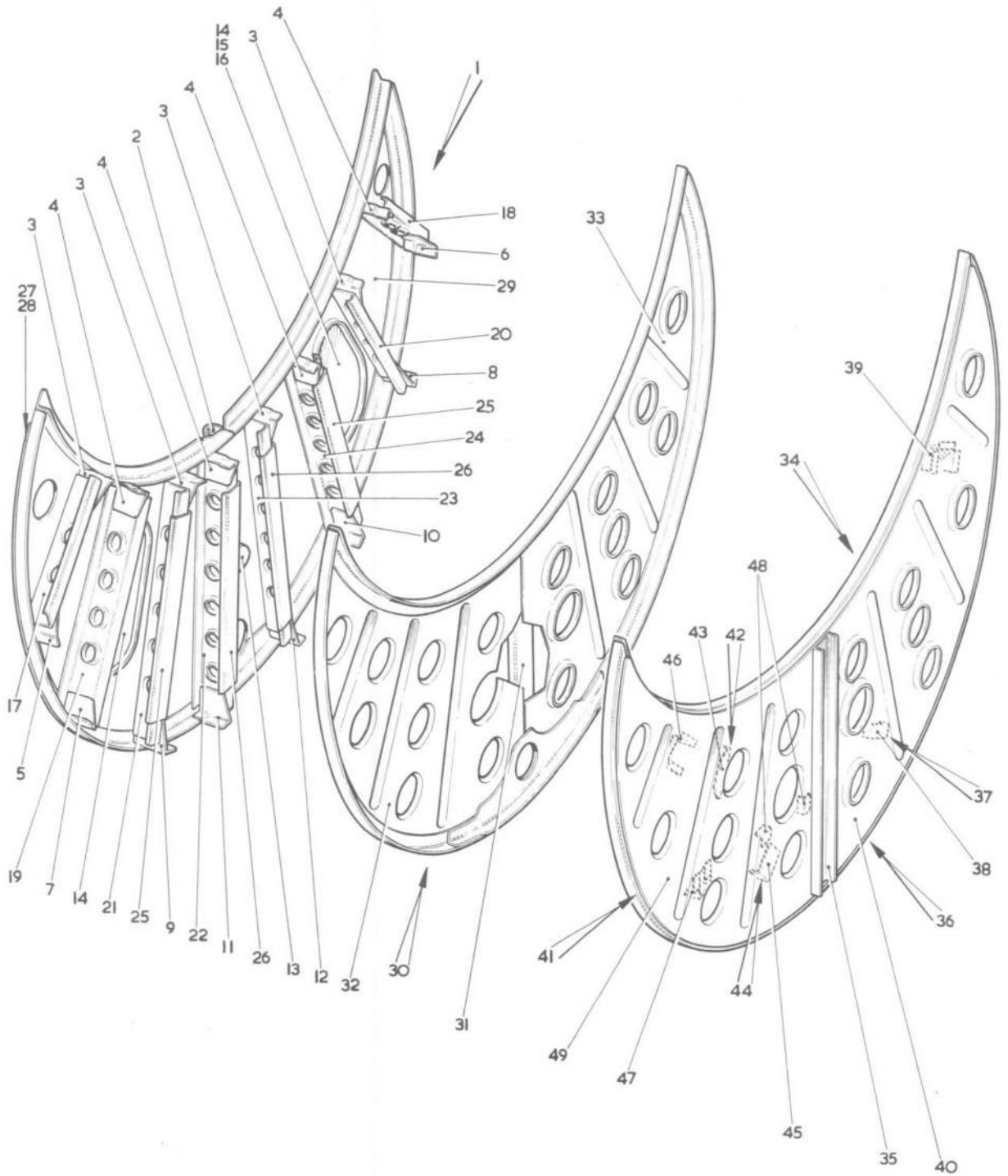
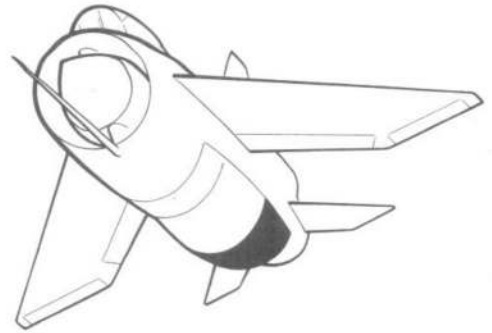
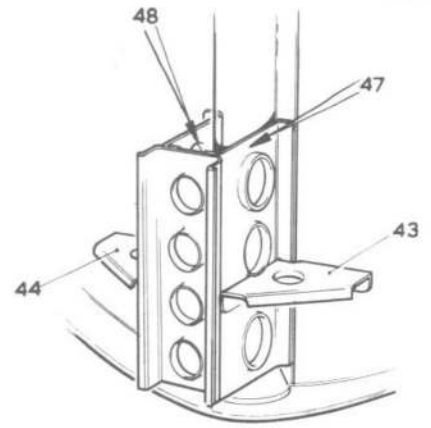
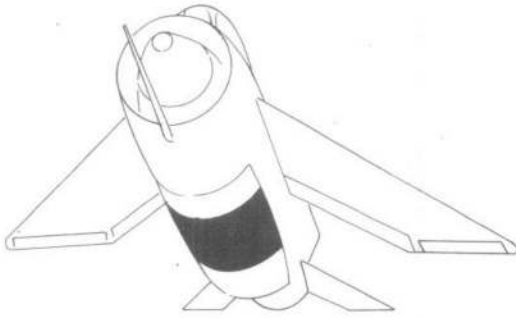
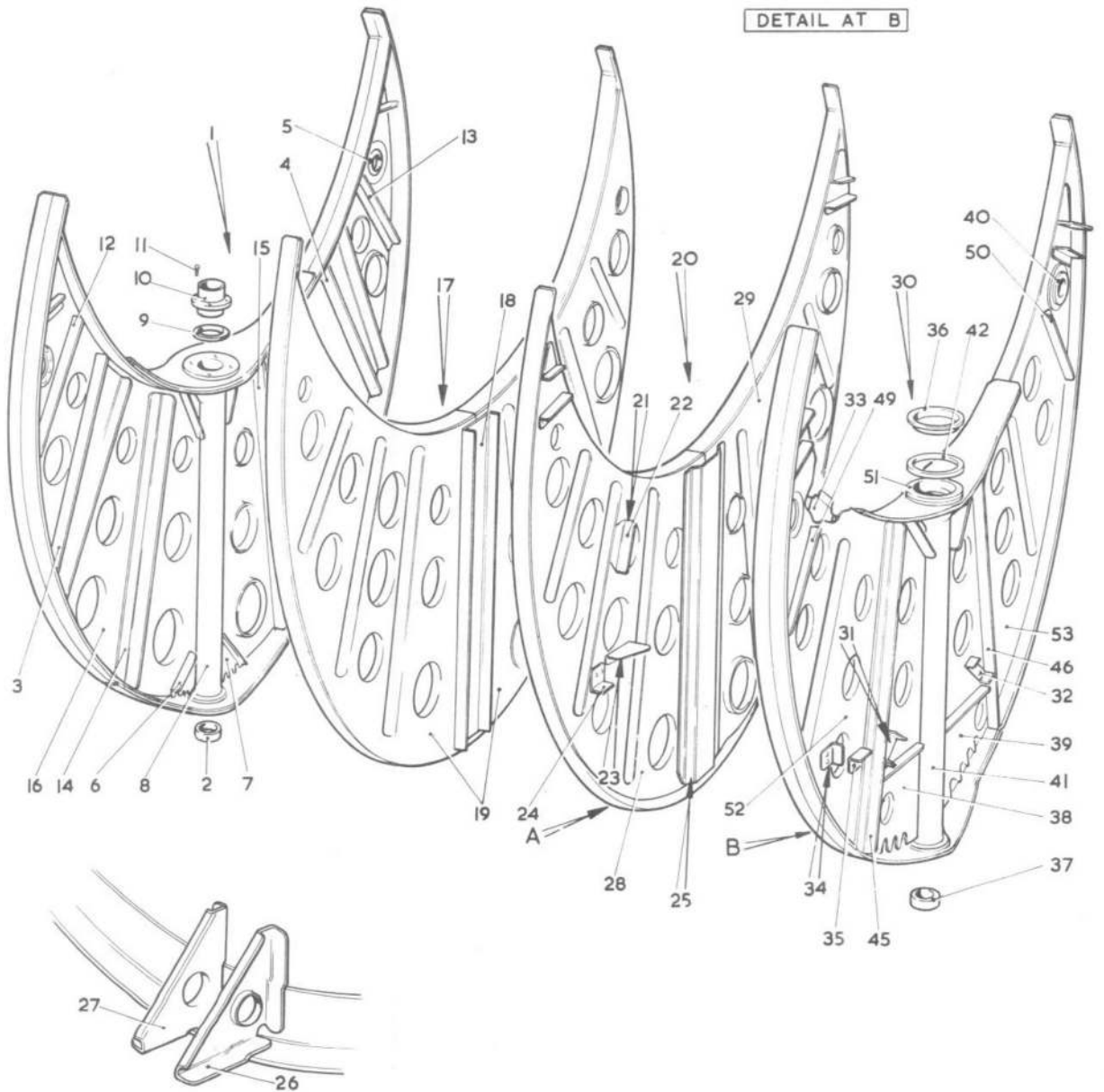


FIG. 27. TANKS - ASSEMBLY OF TANKS AND FAIRINGS TO AIRCRAFT



DETAIL AT B



DETAIL AT A

FIG.28 TANKS-ASSEMBLY OF TANKS AND FAIRINGS TO AIRCRAFT

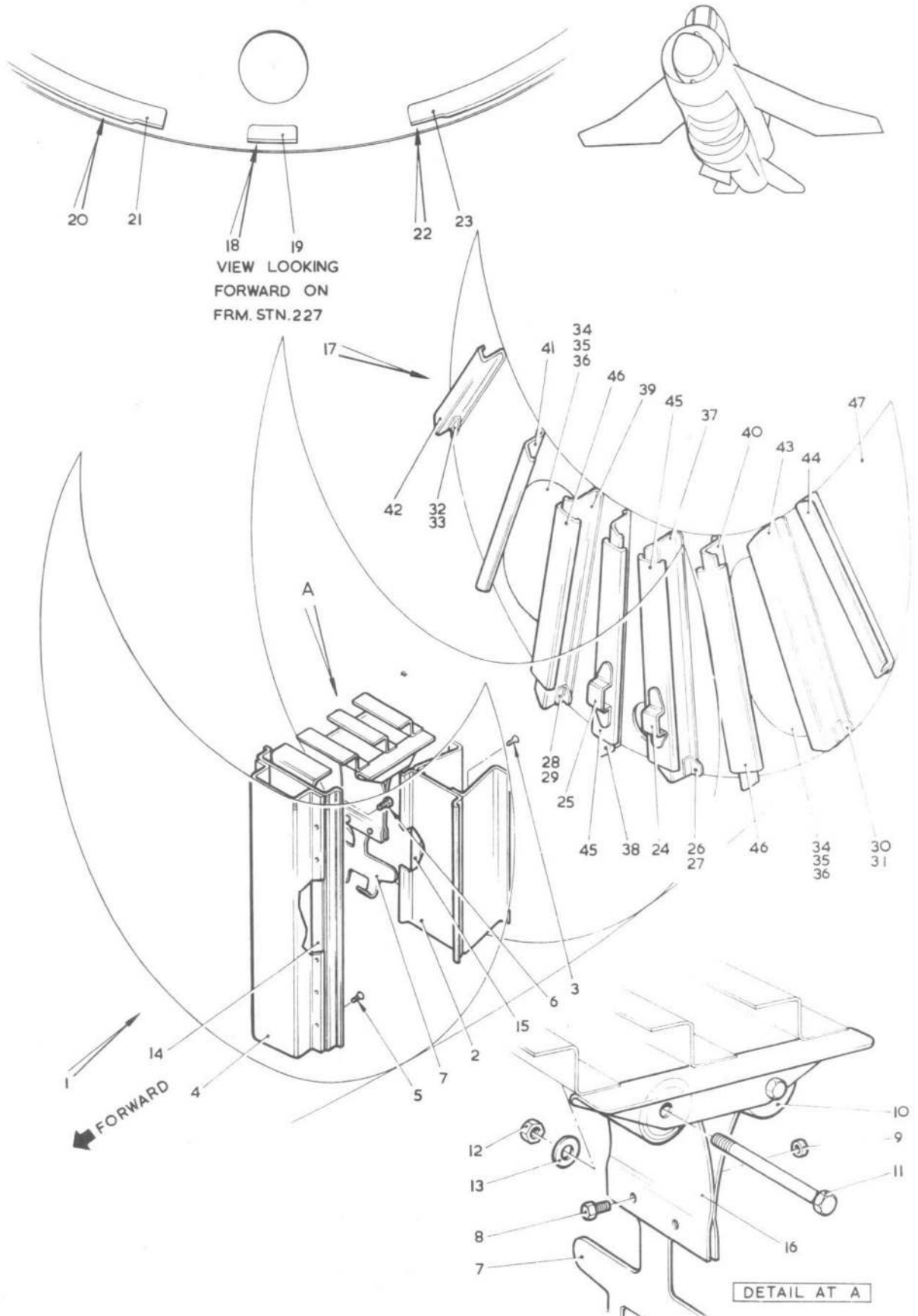


FIG. 29 TANKS, ASSEMBLY OF TANKS AND FAIRINGS TO AIRCRAFT

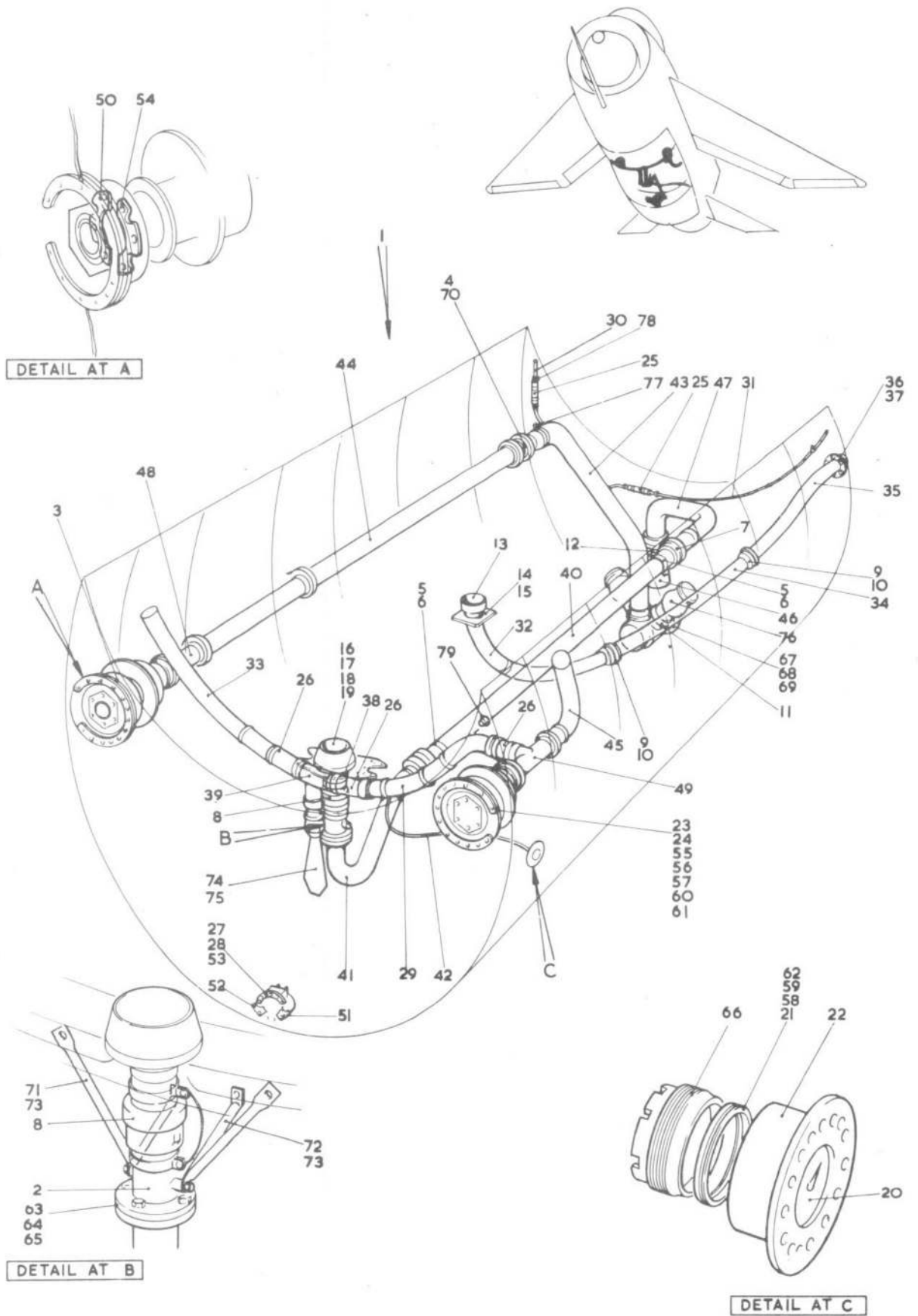


FIG. 30 TANKS - ASSEMBLY OF TANKS AND FAIRINGS TO AIRCRAFT

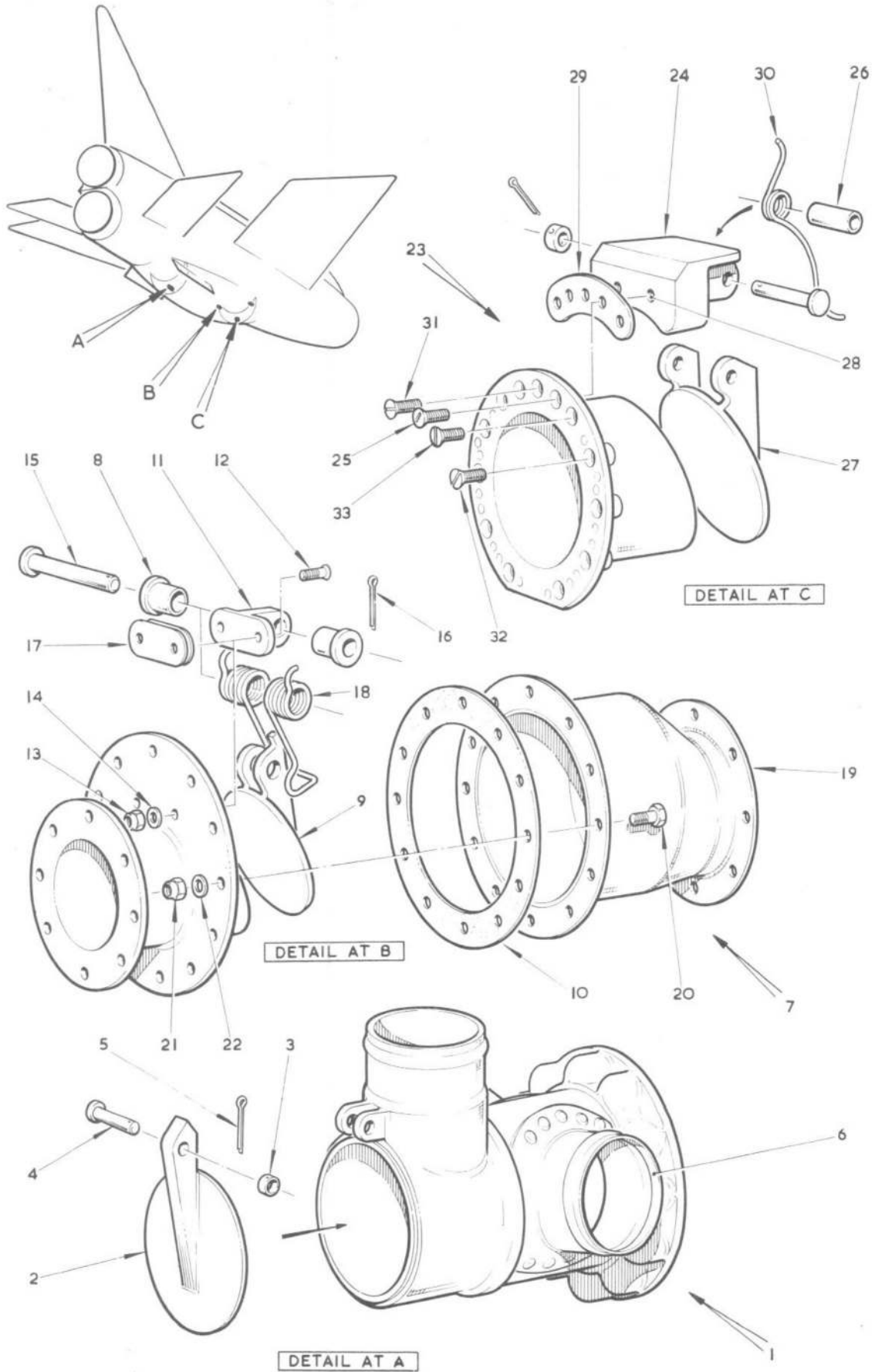


FIG. 31 ASSEMBLY OF TANKS AND FAIRINGS TO AIRCRAFT  
Restricted

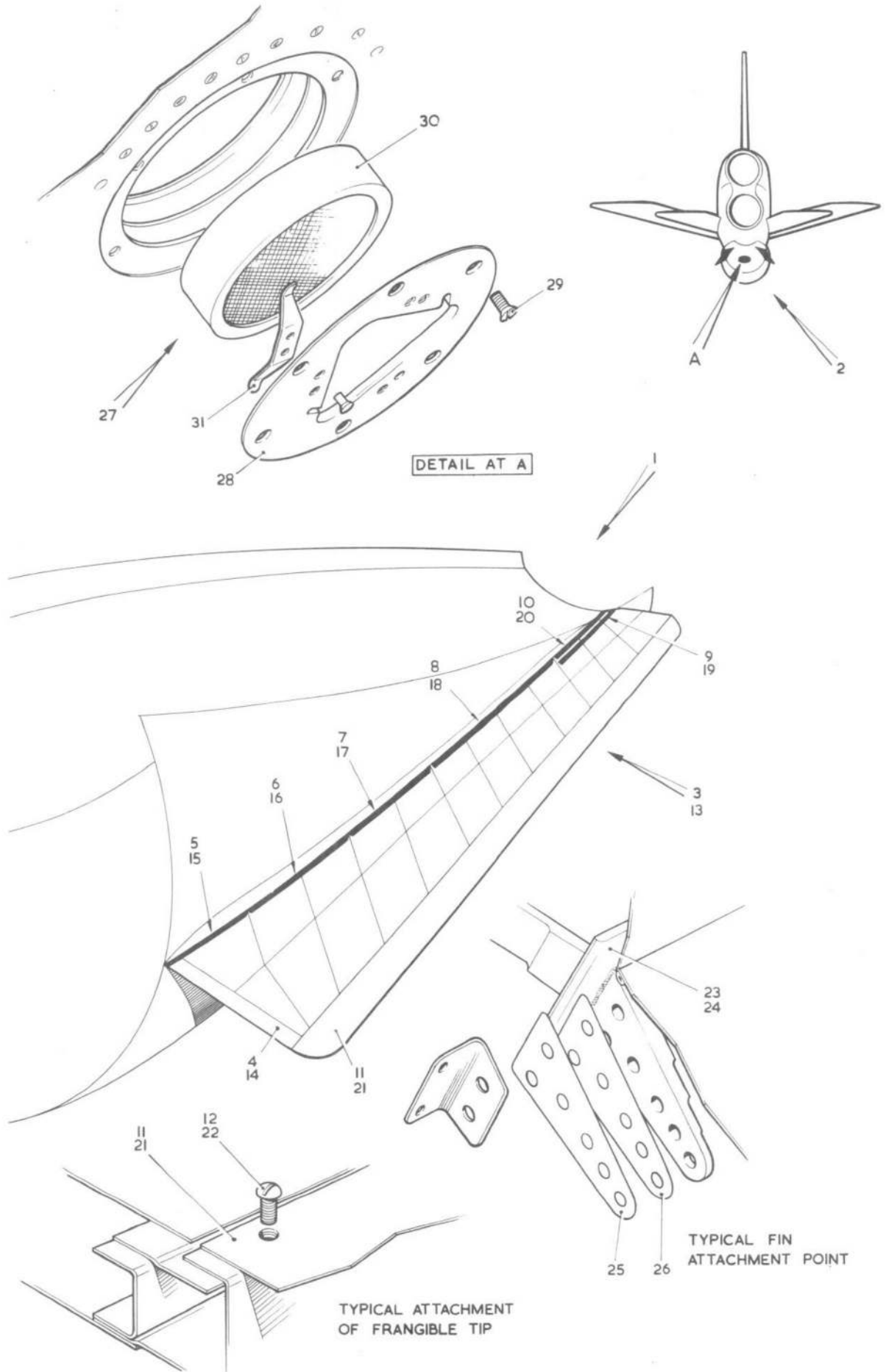


FIG.32 .ASSEMBLY OF TANKS AND FAIRINGS TO AIRCRAFT  
Restricted

Restricted

AL. 46

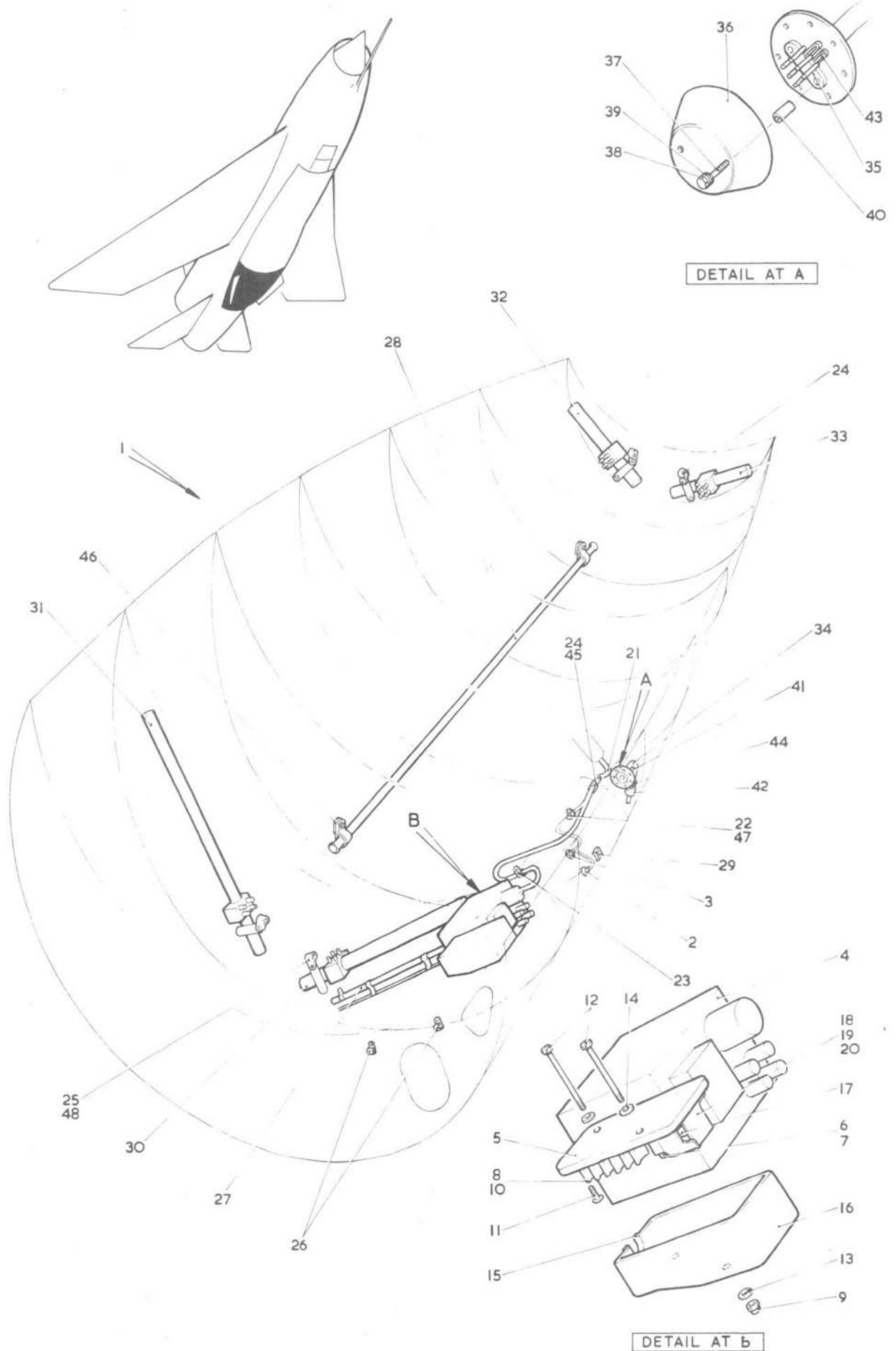


FIG. 33 TANKS, ASSEMBLY OF TANKS AND FAIRINGS TO AIRCRAFT

Restricted

F MK 2/2A SECT P

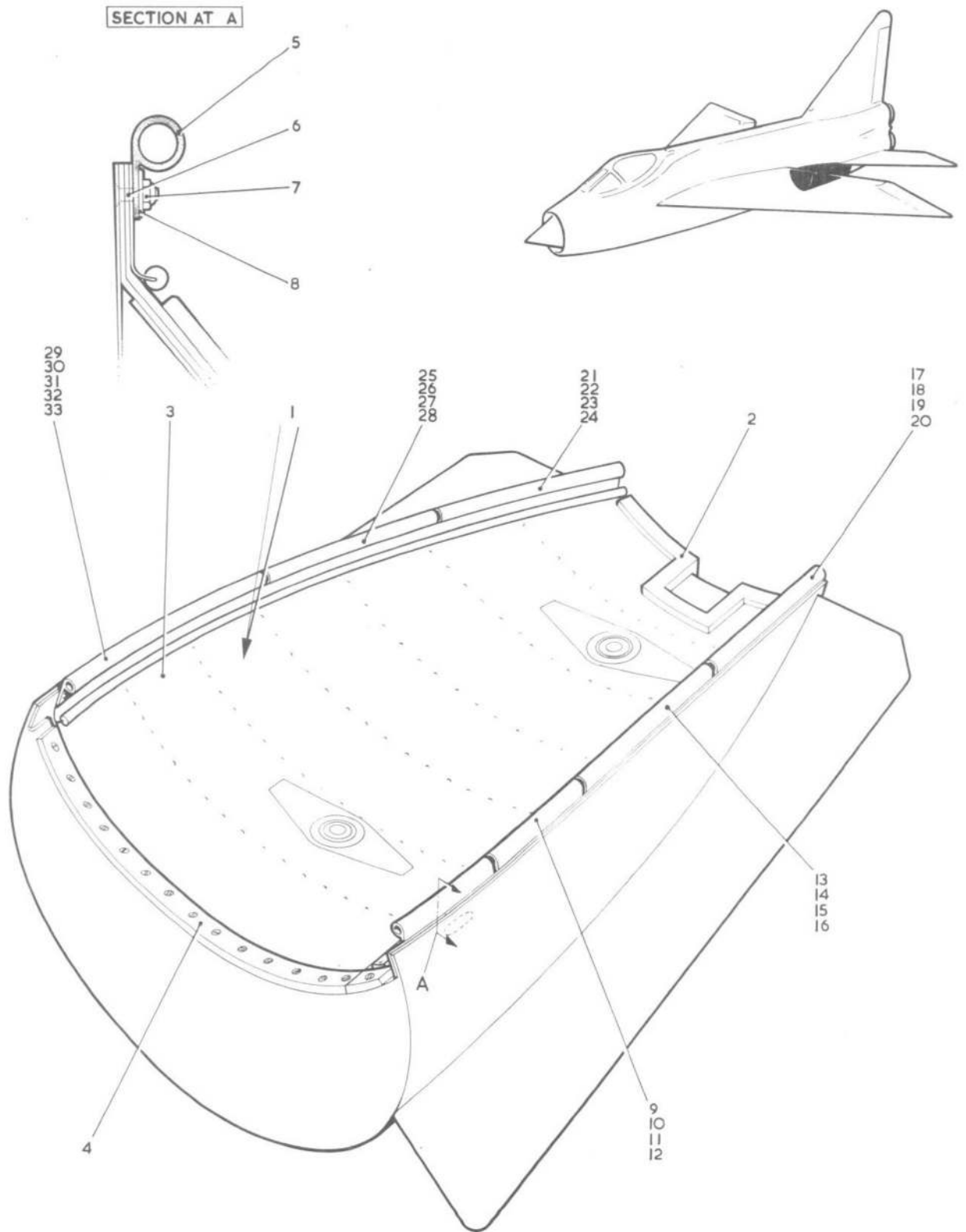


FIG. 34 TANKS, ASSEMBLY OF TANKS AND FAIRINGS TO AIRCRAFT

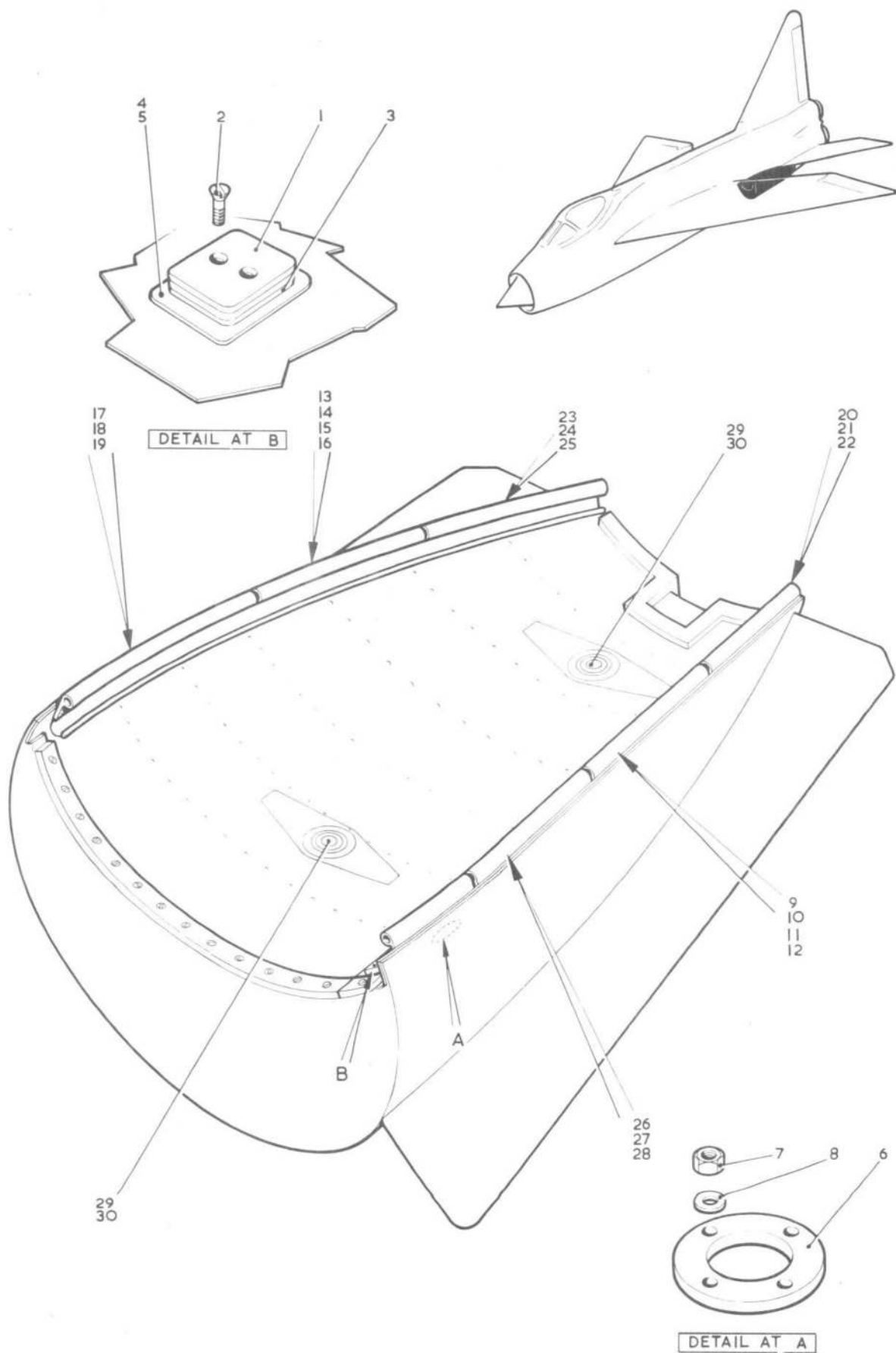


FIG. 35 TANKS, ASSEMBLY OF TANKS AND FAIRINGS TO AIRCRAFT

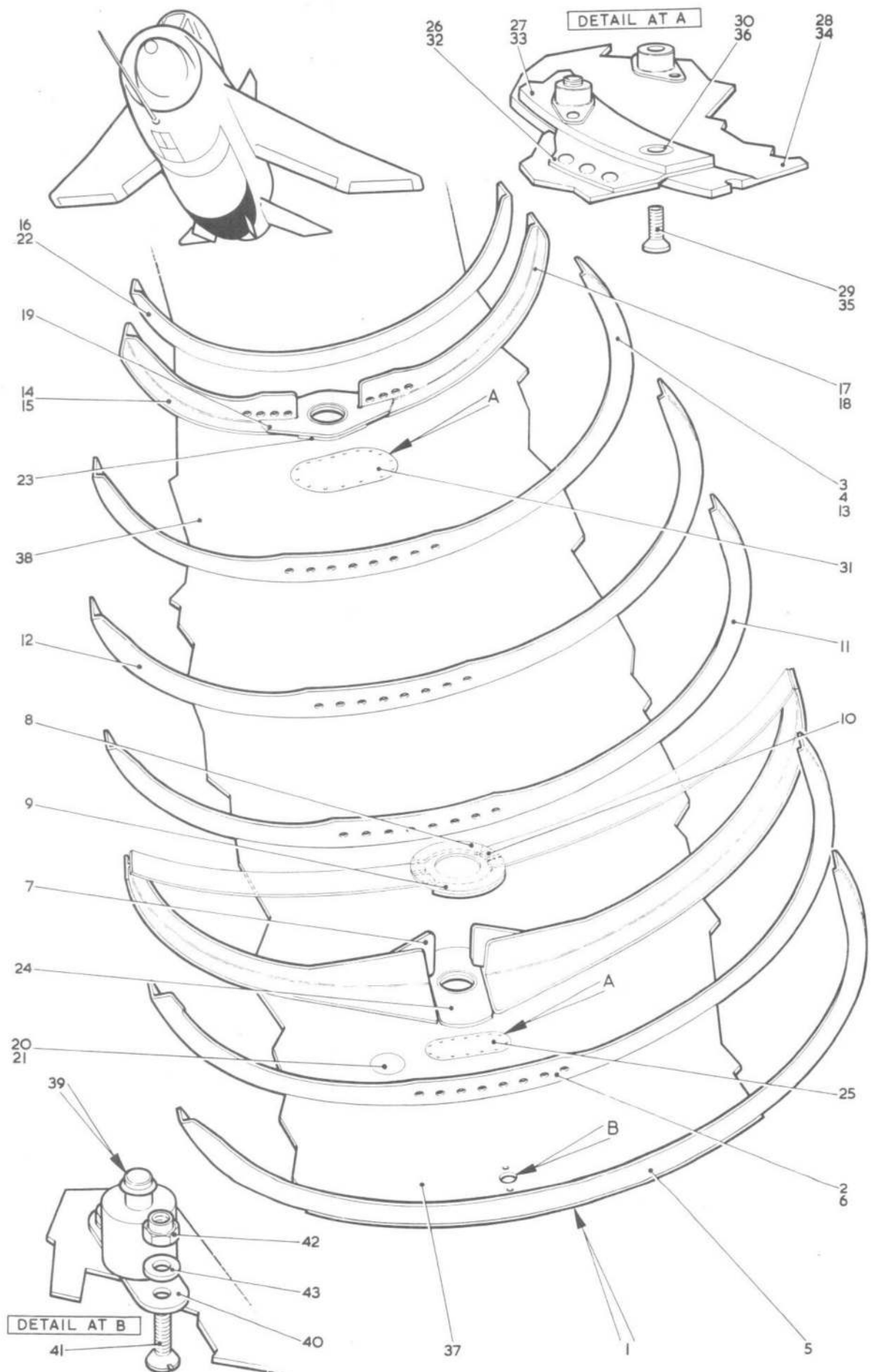


FIG.36 TANKS, ASSEMBLY OF TANKS AND FAIRINGS TO AIRCRAFT

Restricted

A.L. 46

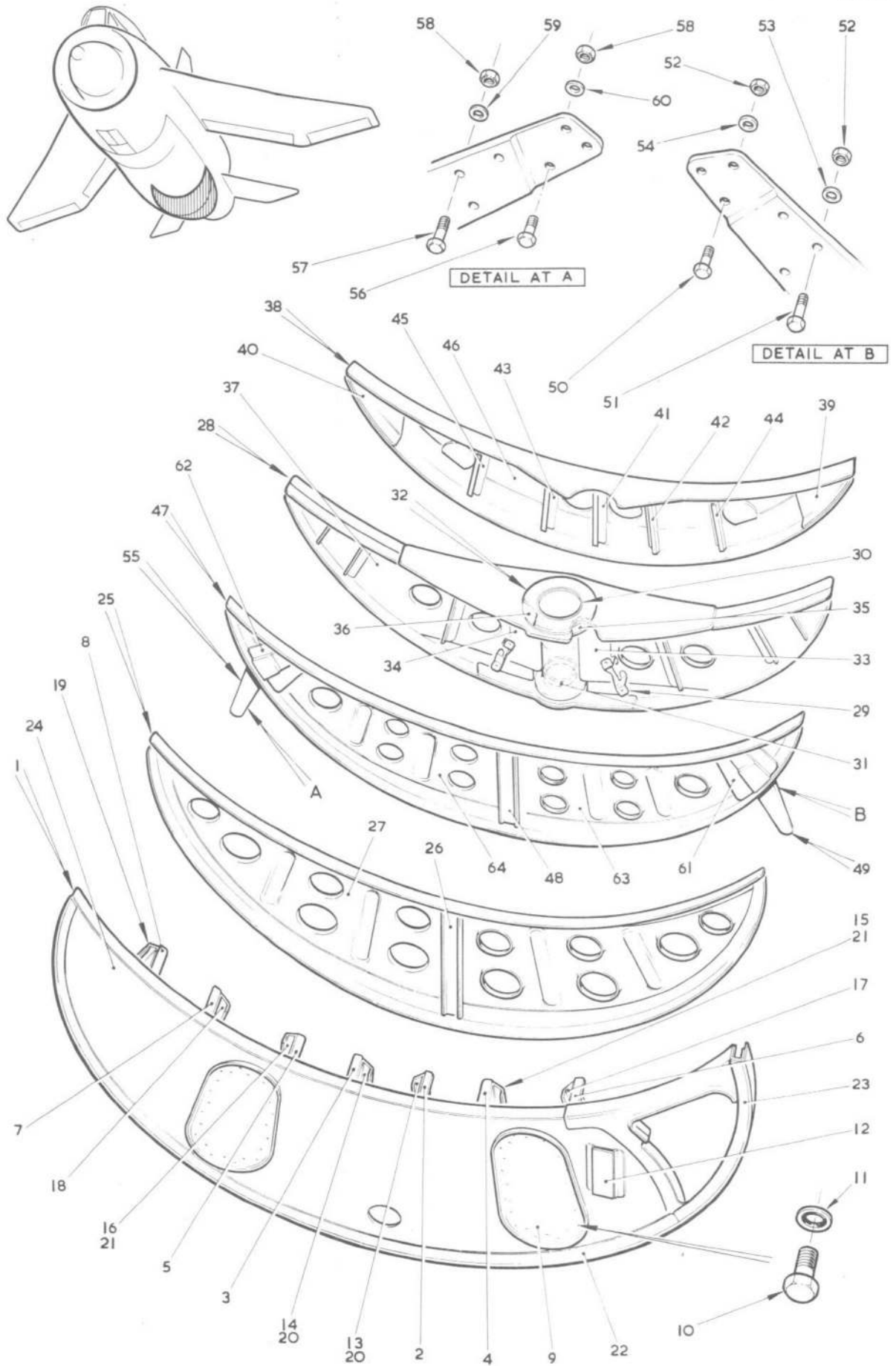


FIG. 37 ASSEMBLY OF TANKS AND FAIRINGS TO AIRCRAFT  
Restricted

F MK. 2/2A SECT. P

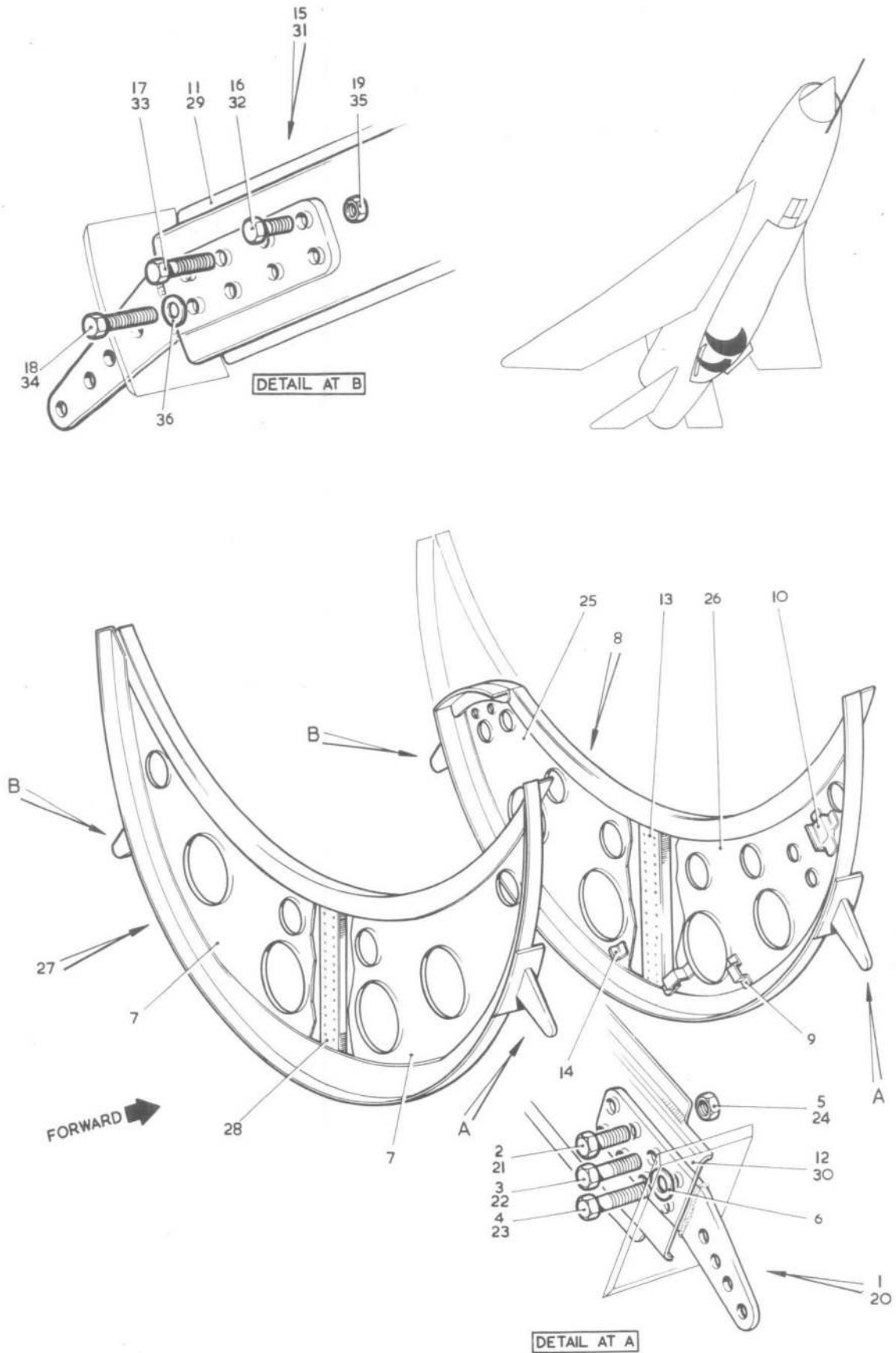


FIG.38 ASSEMBLY OF TANKS AND FAIRINGS TO AIRCRAFT

Restricted

F.MK.2/2A SECT. P

Restricted

A.L.46

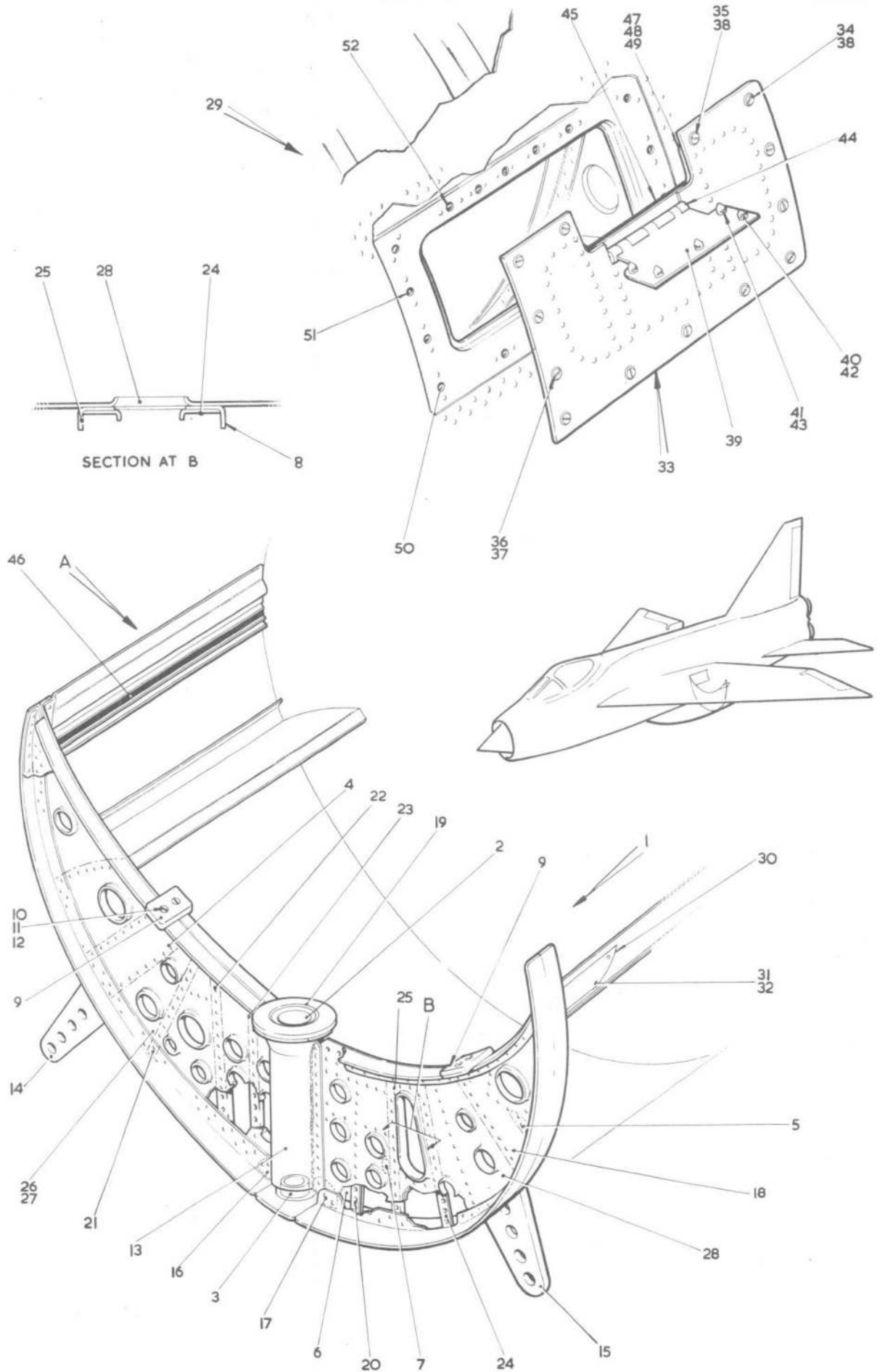


FIG.39 ASSEMBLY OF TANKS AND FAIRINGS TO AIRCRAFT  
Restricted

F. MK. 2/2ASECT. P

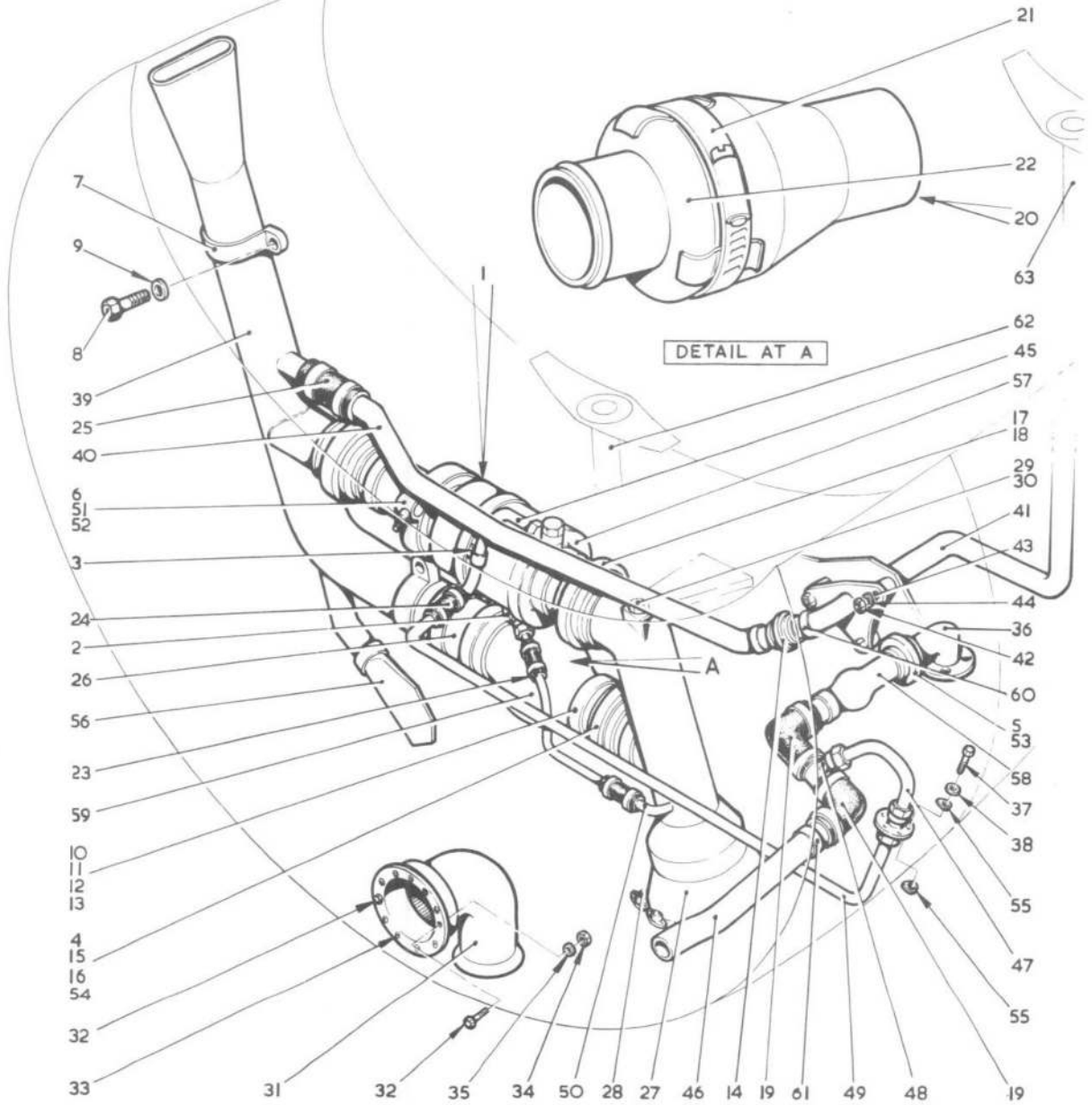
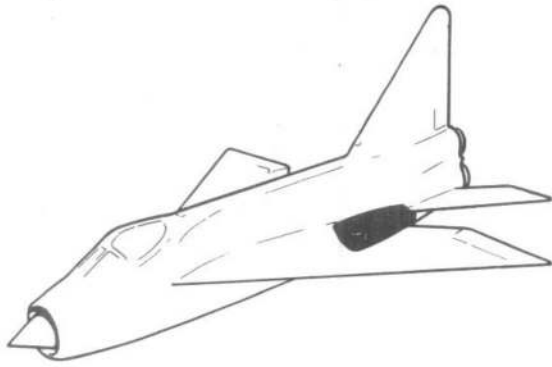


FIG. 40 TANKS, ASSEMBLY OF TANKS AND FAIRINGS TO AIRCRAFT

This file was downloaded  
from the RTFM Library.

Link: [www.scottbouch.com/rtfm](http://www.scottbouch.com/rtfm)

Please see site for usage terms,  
and more aircraft documents.

