

SHACKLETON Mk. 2

ARMAMENT

BOMB GEAR

Ref. No.	Part No.	Description				No. off	Matl. Spec.	Cl. of St.	Plate and Illust'n No.
		1	2	3	4			M.R.	
		BOMB GEAR ASSEMBLIES							
		Spares for :—							
		BOMB GEAR, ASSEMBLIES, IN NOSE							
		Spares for :—							
		BOMB SIGHT, LOW LEVEL, MK. 3 (W984)							2/1
		Spares for :—							
13420	10SS3859	Clip, for flexible drive				6	—	C	2/2
13442	3SS3859	Clip, for flexible drive				4	—	C	2/3
9/2652	—	Computer, on bulkhead at former 2, in F.C.S.				1	—	A	2/4
9/4551	—	Drive, flexible Mk. 3 L.L.B.S. type "C", from sighting head, to computer on Former 2 bulkhead				1	—	A	2/5
2615	20SS3529	Grommet, for flexible drive between formers J & K				2	—	C	2/6
9/2651	—	Head, sighting Mk. 3 LL.B.S.				1	—	A	2/7
9/3661	—	Stowage, gyro pipe connection				1	—	A	2/8
9/3562	—	Stowage, flexible drive connection				1	—	A	2/9
4510	5W985	Shackle, link				1	S1 or S2	C	2/23
5CW/936	—	Switch, rotary type B, on pilot's instrument panel, starboard				1	—	B	2/24
5D/656	—	Switchbox, selector, type F on bomb aimer's panel, starboard				2	—	A	2/25
		CONTROL, REMOTE, BOMB JETTISON (W985)							2/10
		Spares for :—							
	1W986	BRACKET, PULLEY, GROUP				1	—		2/11
		Consisting of :—							
	2W986	BRACKET, GROUP				1	—		2/12
28P/863	SP4Y/D5	Pin				1	—	C	
28P/9429619	SP9/C5	Pin, split				1	—	C	
	AS111	Pulley				1	—	C	
28Q/1012743	AS2227/308	Rivet, snap hd. $\frac{3}{32}$ " dia. x $\frac{1}{2}$ " long				1	—	C	
	3W986	Stop				1	DTD363A		
	9W985	CABLE, CONTROL, GROUP				1	—		2/13
	Bowden	Consisting of :—							
29H/1859	19/1	Cable, 12' $1\frac{1}{2}$ " long (3W985)				1	—	C	
29H/1870	Bowden B/1	Cover, cable, 11' 5" long (2W985)				1	—	C	
29H/919	Bowden PN979B	Ferrule				2	—	C	
5D/657	—	Handle, pull, bomb jettison				1	—	A	2/14
	Bowden PN1399	Nipple, cable				1	—		
	Bowden PN484	Stop, adjusting				1	—	C	2/15
26DD/12194	14SS706	Clip, cable				5	—	C	
1684	1SS3405	Clip, cable				2	—	C	2/16
4513	8W985	Connection, link				1	S1 or S2	C	2/17
1687	4W960	Guide, link, $\frac{3}{16}$ " o/d x $\frac{7}{8}$ " long				2	T4	C	2/18
4511	6W985	Link				1	S1	C	2/19
4512	7W985	Link				1	S1	C	2/20
28FP/1	Aviation Development A403	Pin, quick release				1	—	C	2/21
4591	10W985	Shackle				1	S1 or S2	C	2/22

ARMAMENT

BOMB GEAR

Ref. No.	Part No.	Description				No. off	Matl. Spec.	Cl. of St.	Plate and Illust'n No.
		1	2	3	4			M.R.	
		MOUNTING, FOR L.L. BOMBSIGHT (1W983)							
	2W983	Spares for :—							
9/3350	—	Bracket, mounting				1	DTD721		2/26
		Bracket, mounting L.L.B.S.				1	—		2/27
		BOMB, GEAR, ASSEMBLIES, IN FRONT CENTRE PORTION, FUSELAGE							
		Spares for :—							
	1W945	SLIP, BOMB HOUSING, GROUP ...				5	—		3/28
	1W990	SLIP, BOMB HOUSING, GROUP ...				1	—		
	Hoffman N/D	Consisting of :—							
13804	AT31348	Ball, 6 m/m dia. for clamp				1	—	C	3/29
28D/9140636	A25/12A	Block, 6 m/m dia. for clamp				2	L40	C	
28D/9133011	A25/2C	Bolt, hex.hd, 6 BA				1	—	C	
6364	AT30387	Bolt, hex.hd, 2 BA x .65" long				2	—	C	
	AT39924	Bolt, shouldered (for 1W945 only)				1	S2		3/30
		Bolt, shouldered (for 1W990) (may be made from AT30387)				1	S2		
7279	AT30388	Bolt				6	S1		3/31
	AT31087	Bolt, pivot				4	S1	C	3/32
	AT32325	Bolt				4	—		3/33
	AT30485	Bolt (for 1W945 only)				1	S2		3/34
	AT39923	Bolt (for 1W990 only)(may be made from AT30485)				1	S2		
28D/9562	AS1882/2B	Bolt, csk.hd, 4 BA x .55" long				2	—	C	
	9W945	Bracket, rear				1	L40		3/35
	AT60173	Bracket, trip catch				1	L40		3/36
13443	AT30395	Catch, trip				1	—	C	3/37
	2W990	CHANNEL, SIDE, GROUP (for 1W990)				1	—		
	2W945	CHANNEL, SIDE, GROUP (for 1W945)				1	—		3/38
	3W990	CHANNEL, SIDE, GROUP (for 1W990)				1	—		
	3W945	CHANNEL, SIDE, GROUP (for 1W945)				1	—		3/39
13929	AT60393	Clamp				1	—	C	3/40
	Rotherham ND	Cup, oil (spring well $\frac{5}{16}$ ")				1	—	C	3/41
1575	AT31171	Collar, for trip catch				1	S80	C	3/42
4623	AGS899/G	Collar, trip catch				1	—	C	3/43
28N/5553	7W990	COVER, BOMB SLIP HOUSING, GROUP (For 1W990)				1	—	C	
6861	7W945	COVER, BOMB SLIP HOUSING, GROUP (For 1W945)				1	—		3/44
		Consisting of :—							
5605	AT80175	Cover				1	DTD136	C	
	AT30414	Grip, finger				2	—		
13449	AT30416	Knob, cover				2	S1	C	3/45
	131AT80172	Moulding, rubber				1	—		
13448	AT30415	Plunger				2	S80	C	
13447	AT30413	Spring, compression for cover catch...				1	—	C	

SHACKLETON Mk 2

ARMAMENT

BOMB GEAR

Ref. No.	Part No.	Description				No. off	Matl. Spec.	Cl. of St.	Plate and Illust'n No.
		1	2	3	4			M.R.	
SLIP, BOMB HOUSING, GROUP (1W945) (Cont'd)									
	AT31088					1	S1		3/46
	AT30397					2	—		3/47
	AT30389					1	L40		3/48
	AT31085					1	S6		3/49
	AT30402					2	—		3/50
26EA/15614	AT30384					2	—	C	3/51
28L/753	A16Y/CT					31	—	C	
28M/6975	A16Z/LS					1	—	C	
28M/7155	A16Z/GP					1	—	C	
28M/7157	A16Z/LP					1	—	C	
28M/10327	AGS2002/B/1					1	—	C	
28M/10286	AGS2001/A/1					1	—	C	
13446	AT31169					1	—	C	3/52
	AT31170					1	S80		3/53
	AT31155					1	S1		3/54
13807	AT30398					1	S80	C	3/55
	AT30417					1	—	C	3/56
28P/1071	SP4Y/F19					1	—	C	
28P/5037	AGS784/10					1	—	C	
28P/5039	AGS784/12					1	—	C	
	3SS2308					4	—		3/57
	AT31234					1	DTD610		
	AT31086					2	DTD610		3/58
	AT30394					1	DTD610		3/59
26EA/13656	AT30399					1	S80	C	3/60
26EA/13655	AT30385					1	S80	C	3/61
26EA/13651	AT30393/A					1	—	C	3/62
26EA/13652	AT30393/B					1	—	C	3/63
26EA/13653	AT30393/C					1	—	C	3/64
13445	AT31154					2	—	C	3/65
26EA/13654	AT30383					1	—	C	3/66
13450	AT31095					1	—	C	3/67
13444	AT30396					1	—	C	3/68
26EA/19356	AT31347					2	L40	C	3/69
	AT30392					1	T4		3/70
	AT30400					1	T4		3/71
	AT30386					1	—		3/72
28W/3071	AGS160/C					1	—	C	
	AT33821					4	L3		3/73
28W/6219	AGS970/C					26	—	C	
28L/702	AGS194/2					6	—	C	

ARMAMENT

BOMB GEAR

Ref. No.	Part No.	Description				No. off	Matl. Spec.	Cl. of St.	Plate and Illust'n No.
		1	2	3	4			M.R.	
		BOMB, GEAR ASSEMBLIES IN CENTRE PORTION, FUSELAGE							
		Spares for :—							
13319	1W819	Adaptor, winch re-action socket				2	L1 or L40	C	3/74
	4D2964	ADJUSTMENT, FRONT, FOR BOMBS							3/75
		Consisting of :—							
	10D1797	Bearing, ball, 6 m/m dia.				1	—		
	9D1940	Bracket, front adjustment				1	DTD298		
26EA/15614	AT30384	Nut, clamp				1	BSS369	C	3/51
28M/5200	AGS864/G	Nut, slotted, $\frac{7}{16}$" BSF				1	—	C	
28P/5039	AGS784/12	Pin, split				1	—	C	
	10D1940	Screw, adjusting				1	S80		3/76
26EA/13655	AT30385	Screw, grub				1	S80	C	3/61
13293	AT30383	Spring				1	—	C	3/66
	AT30386	Washer				1	DTD146		
13917	1W808	BRACKET, TIE, ON SPAR CENTRE SECTION, GROUP				4	—	C	3/77
		Consisting of :—							
	2W808	Bracket				1	DTD304		
13239	3W808	Fork, end fitting				1	S1	C	3/212
28M/12930	A27/ES	Nut, slotted, $\frac{1}{4}$" BSF				1	—	C	
28P/12431	SP9/C6	Pin, split				1	—	C	
28W/8518	AS470/E	Washer				1	—	C	
	AT60169	CLAMP, FOR BOMB, GROUP ...				1	—		2/78
13237	1W824	COVER, FRONT LIFTING POINT, GROUP				1	—	C	2/79
		Consisting of :—							
	9W824	Body, cover				1	—		
	6W824	Grip, finger				2	—		
	5W824	Plunger				2	—		
28Q/5886	AS156/210	Rivet, snap hd, $\frac{1}{16}$" dia. x $\frac{3}{8}$" long				2	—	C	
	7W824	Spring				2	—		
13923	2W824	COVER, REAR, LIFTING POINT, GROUP				1	—	C	2/80
		Consisting of :—							
	11W824	Body, cover				1	—		
	6W824	Grip, finger				2	—		
	5W824	Plunger				2	—		
28Q/5886	AS156/210	Rivet, snap hd, $\frac{1}{16}$" dia. x $\frac{3}{8}$" long				2	—	C	
3341	1D6472	COVER, CENTRE BOMB HOUSING, GROUP				1	—	C	2/81
		Consisting of :—							
	7D6472	Body, cover (rubber covered)				1	—		
	5D1910	Grip, finger				2	DTD166A		
	4D1910	Knob				2	S80		
	3D1910	Plunger				2	S80		
	6D1910	Spring				1	DTD215		

SHACKLETON Mk. 2

**ARMAMENT
BOMB GEAR**

Ref. No.	Part No.	Description				No. off	Matl. Spec.	Cl. of St.	Plate and Illust'n No.
		1	2	3	4			M.R.	
BOMB GEAR, ASSEMBLIES, IN CENTRE PORTION FUSELAGE (cont'd)									
13136	AT60176	COVER, BOMB, HOUSING, SIDE, GROUP				2	—	B	2/44
Consisting of:—									
5605	AT80175	Cover				1	DTD136		
	AT30414	Grip, finger				2	DTD166A		
13449	AT30416	Knob				2	S1	C	
	131AT80172	Moulding, rubber				1	—		
13448	AT30415	Plunger				2	S80	C	
13447	AT30413	Spring, compression, catch				1	—	C	
7500	1D6490	CRUTCH, STRUCTURE, FOR HEAVY BOMB GEAR, GROUP				2	—	A	3/82
13705	3W839	Fork-end, attaching tie member to crutching unit				2	—	C	3/83
13410	1W782	HANDLE, CRUTCHING, GROUP (Stowed in pouch on aileron control cover at rear spar)				1	—	C	3/84
13358	AT31532	HANDLE, CRUTCHING, GROUP (Stowed in pouch on aileron control cover at rear spar)				2	—	C	3/85
	252D6300	LEVER, AND BLOCK, GROUP ...				2	—		2/86
Consisting of:—									
	3D1854	Bracket, fulcrum				1	L40		
	AT30402	Lever, clamping				1	—		
	AT30417	Pin				1	S80		
	3SS2308	Pin, taper				2	—		
	253D6300	LEVER, AND BLOCK, GROUP ...				2	—		2/87
Consisting of:—									
	3D1854	Bracket, fulcrum				1	L40		
	AT30402	Lever, clamping				1	—		
	AT30417	Pin				1	S80		
	3SS2308	Pin, taper				2	—		
13707	7W839	Packing				2	—	C	
13320	1W836	PAWL, LOCKING, MECHANICAL RELEASE FOR HEAVY BOMB, GROUP				1	—	C	3/88
13807	AT30398	Pin, locating				1	S80	C	2/55
	20D2964	SLIP, HOUSING, FOR 500 lb. BOMB, GROUP				2	—		2/89
	250D6300	SLIP, HOUSING, FOR HEAVY BOMB, GROUP				1	—		2/90
13322	1W823	Socket, rear winch reaction				1	DTD424	C	3/91
13321	1W817	Socket, front winch reaction				1	DTD424	C	3/92

ARMAMENT

BOMB GEAR

Ref. No.	Part No.	Description	No. off	Matl. Spec.	Cl. of	Plate and Illust'n No.
					St.	
		1	2	3	4	M.R.
BOMB GEAR, ASSEMBLIES, IN CENTRE PORTION FUSELAGE (cont'd)						
13706	1W841	TIE-MEMBER UNIT, TO CRUTCHING GROUP	2	—	C	3/93
	4W839	Tube, distance, for fork end	2	—		
11A/3616	1W970	UNIT, CRUTCHING, FOR HEAVY BOMB, PORT, GROUP (S.O.O.)	1	—	A	3/94
11A/3617	2W970	UNIT, CRUTCHING, FOR HEAVY BOMB, STARBOARD, GROUP (S.O.O.)	1	—	A	3/95
		Consisting of:—				
13682	13W803	Bolt	1	—	C	3/96
13238	14W803	Fork, end fitting	1	—	C	3/97
11A/3621	3W970	LEVER, CRUTCHING, GROUP ...	1	—	B	3/98
		Consisting of:—				
	3bW970	Bush	2	S1		
	3aW970	Lever	1	DTD300A		
13683	1W804	MEMBER, TIE, GROUP	1	—	C	3/99
		Consisting of:—				
28Q/1990	3W804	Eye-end	2	S1		
	AS455/412	Rivet, snap hd, $\frac{1}{8}$ " dia. x $\frac{3}{4}$ " long ...	4	—	C	
	2W804	Tube, 20G x $\frac{1}{2}$ " o/d x $11\frac{1}{2}$ " long ...	1	T45		
28M/10288	AGS2001/C1	Nut, stiff, 2 BA	1	—	C	
28M/756	A16Y/EP	Nut, plain, $\frac{1}{4}$ " BSF	1	—	C	
	Aviation Development A405	Pin, pip release, $\frac{1}{4}$ " dia.	1	—	C	3/100
28FP/2	Aviation Development A714	Pin, pip release, $\frac{7}{16}$ " dia.	1	—	C	3/101
28FP/37	Aviation Development A716	Pin, pip release, $\frac{7}{16}$ "	2	—	C	3/102
28FP/38	12W803	Tube, distance, $\frac{3}{8}$ " o/d x 17G	1	T4		
		TURNBUCKLE (W970)				
		Consisting of:—				
13787	7W803	Ball-end	2	L1 or L40	C	3/103
11A/3624	5W970	Eye end	1	S99	C	3/104
11A/3625	6W970	Eye end	1	S99	C	3/105
28M/793	A16Y/NTL	Lock nut, $\frac{1}{2}$ BSF L.H.	1	—	C	
28Q/6875	AS2229/416	Rivet, csk.hd, 90° $\frac{1}{8}$ " dia. x 1" long ...	2	—	C	
13788	8W803	Tommy-bar	1	S93	C	3/106
	4W970	Turnbuckle	1	S93		
28W/9419402	SP13/C	Washer	2	—	C	
28W/9419403	SP13/E	Washer	1	—	C	

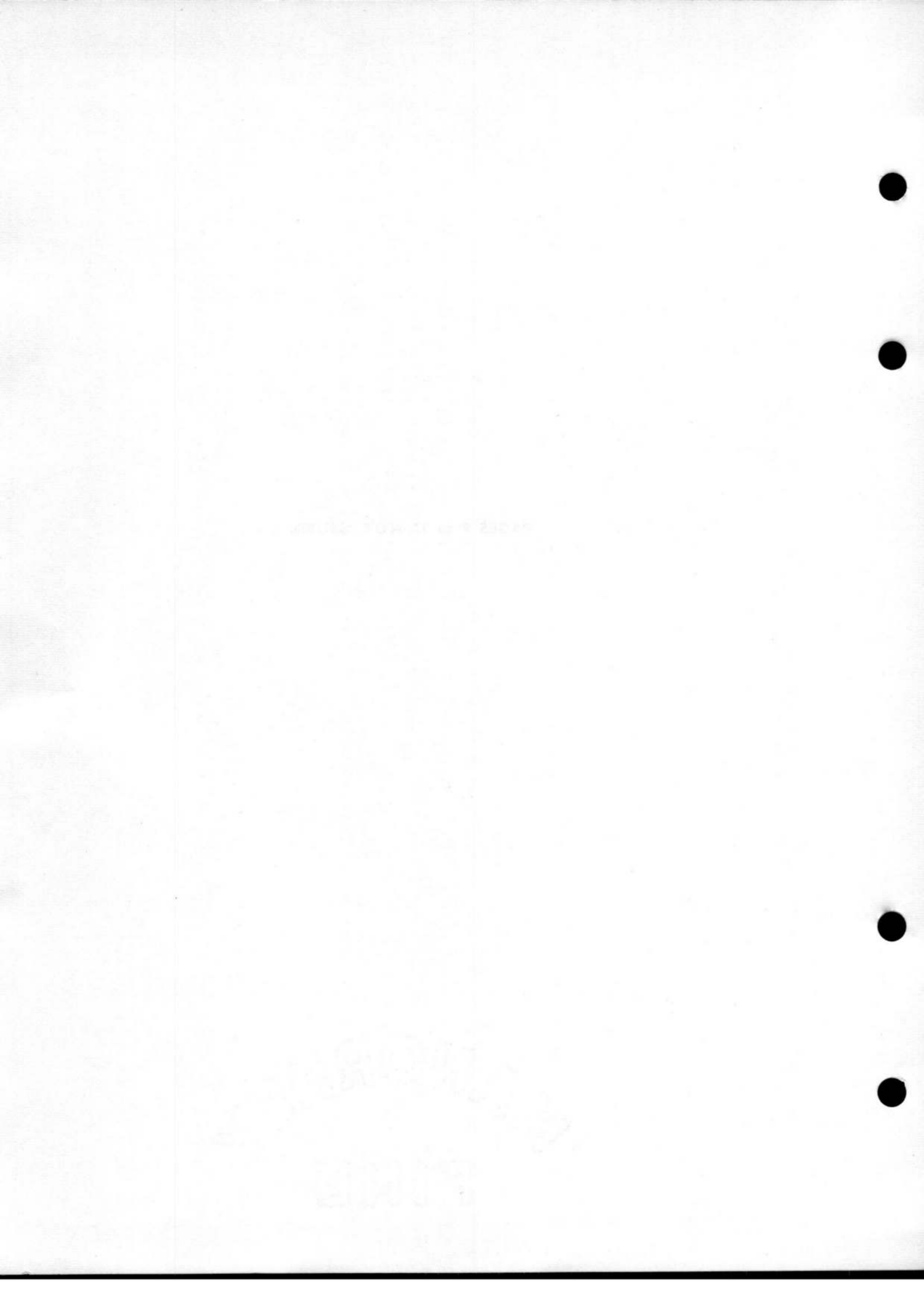
SHACKLETON Mk. 2

ARMAMENT

BOMB GEAR

Ref. No.	Part No.	Description				No. off	Matl. Spec.	Cl. of St.	Plate and Illust'n No.
		1	2	3	4			M.R.	
		BOMB, GEAR, ASSEMBLIES, IN REAR CENTRE PORTION FUSELAGE							
	13W763	Spares for :— POUCH, FOR BOMB WINCH AND CRUTCH HANDLE, ON COVER OVER AILERON CONTROLS AT REAR SPAR, GROUP				1	—	C	2/107
		Consisting of :—							
28N/265	AGS191/AA	Burr	$\frac{1}{16}$ "	i/d	...	2	—	C	
28N/254	AGS191/B	Burr	$\frac{1}{8}$ "	i/d	...	22	—	C	
	2W763	Casing	1	—		
	—	Cover,	$\frac{1}{32}$ "	thick (green)	...	1	Leather		
	10W763	Flap	1	—		
	157Z1196	Label	(Bomb Gear Winch and crutch handles)			1	—		
28Q/5981	AS161/403	Rivet,	csk.hd,	$\frac{1}{8}$ " dia. x $\frac{3}{16}$ " long	...	2	—	C	
28Q/6506	AS156/203	Rivet,	rd.hd,	$\frac{1}{16}$ " dia. x $\frac{3}{16}$ " long	...	2	—	C	
28Q/1640	AS156/403	Rivet,	rd.hd,	$\frac{1}{8}$ " dia. x $\frac{3}{16}$ " long	...	4	—	C	
28Q/9275	AGS2050/424/BS	Rivet,	pop,	$\frac{1}{8}$ " dia.	...	30	—	C	
	No. 924S/802	Turnbutton	1	—		
	1W945	SLIP, BOMB, HOUSING ...				6	—		3/28
		(For details of this group see Page 2)							
		BOMB GEAR ASSEMBLIES (Air Ministry Fitment)							
		Consisting of :—							
11A/2784	—	Adaptor,	Mk. 3 light series bomb carriers			6	—	A	
11A/2761	—	Adaptor,	type AV. 122 centre station 1,000 lbs.			1	—	A	
11A/3078	—	Adaptor,	type AV. 141 centre station 2,000 lbs.			2	—	A	
11A	AT81255	Adaptor,	depth charge			1	—	A	
5D/611	—	Box,	adaptor, type "B"			6	—	A	
11A/572	—	Carrier,	bomb, light series type E.M. with brass plug Mk. 3 and A.S. switch			6	—	A	
11A/3457	—	Carrier,	bomb 100-1,000 lbs. 24V Mk. 1B A.N.			15	—	A	
11A/3525	—	Carrier,	bomb quintuple type AV. 144			5	—	A	
11A	—	Carrier,	bomb 2,000 lbs.			2	—	A	
11A/3786	AT81495	Carrier,	depth charge, type AV. 169			1	—	A	
11A/2839	—	Unit,	release type F Mk. 2			1	—	A	

PAGES 9 to 12 NOT ISSUED.



SHACKLETON Mk 2

ARMAMENT

GUN AND AMMUNITION INSTALLATION

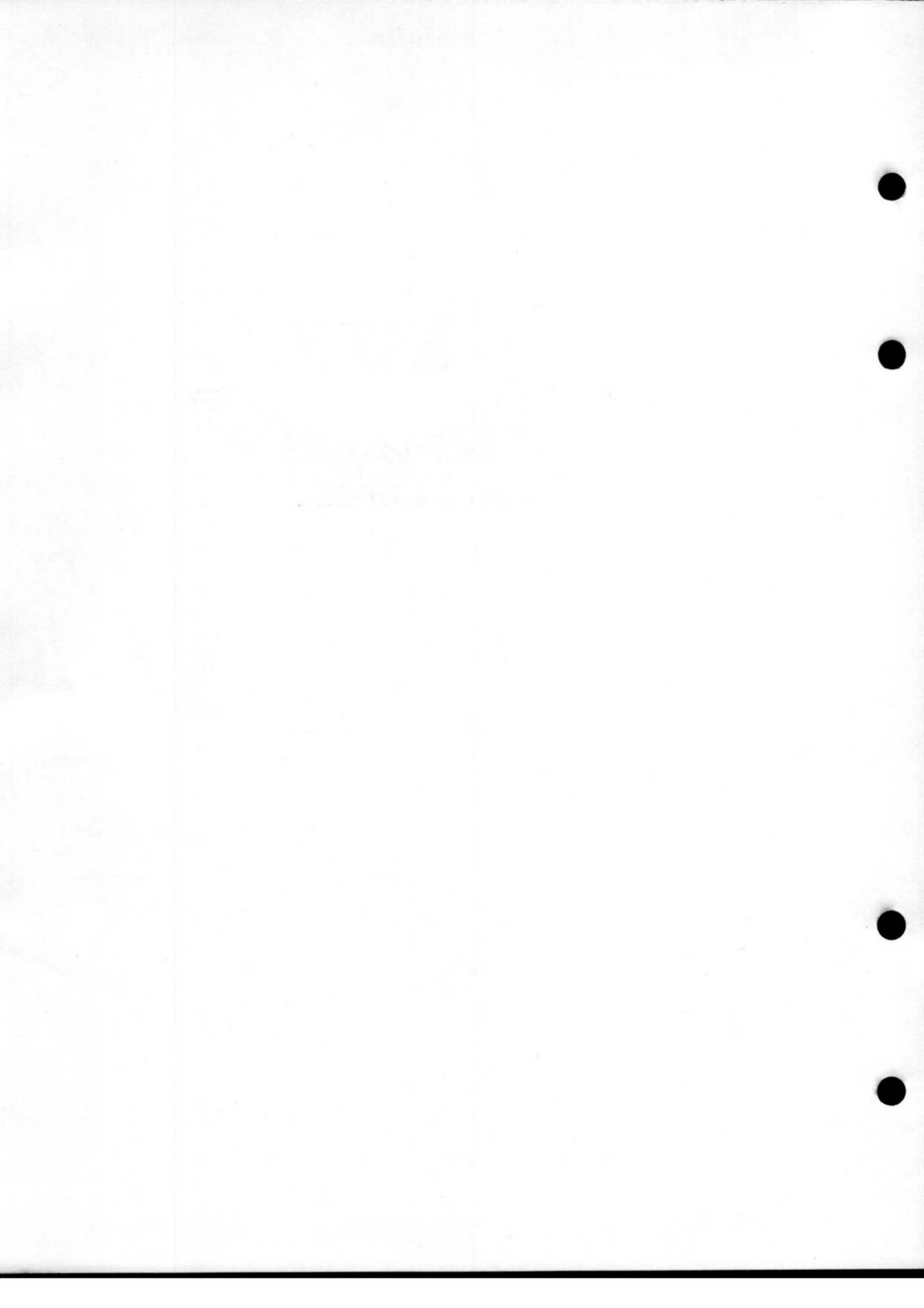
Ref. No.	Part No.	Description				No. off	Matl. Spec.	Cl. of St.	Plate and Illust'n No.
		1	2	3	4			M.R.	
GUN AND AMMUNITION ASSEMBLIES									
Spares for :—									
AMMUNITION INSTALLATION IN NOSE, PORT (1X2011)									
AMMUNITION INSTALLATION IN NOSE, STARBOARD (1X2010)									
Spares for :—									
50C/12695	D1382/N	Assister , feed, Port				1	—	A	2/109
50C/12659	D1381/N	Assister , feed, Starboard				1	—	A	2/110
50C/12648	D1384/N	Box , ammunition, Port				1	—	A	2/111
50C/12646	D1383/N	Box , ammunition, Starboard				1	—	A	2/112
4735	5X2011	Bracket , support for assister, between Formers K & J, Port				1	DTD610	C	2/113
4736	6X2011	Bracket , support for assister, between Formers K & J, Port				1	DTD610	C	2/114
4737	7X2011	Bracket , support for assister, at Former, K, Port				1	DTD610	C	2/115
4730	4X2010	Bracket , support for assister, between Formers K & L, Stbd.				1	DTD610	C	2/116
4731	5X2010	Bracket , support for assister, at Former, L, Starboard				1	DTD610	C	2/117
4732	6X2010	Bracket , support for assister, between Formers K & L, Stbd.				1	DTD610	C	2/118
4733	7X2010	Bracket , support for assister, at Former L, Starboard				1	DTD610	C	2/119
4734	10X2010	ROD, SCREWED FOR ASSISTER $\frac{3}{16}$ " dia. x 8.35" long, GROUP				2	—	C	2/120
50C/12658	C1388/N4	Track , ammo Former " L " to feed assister, Port				1	—	A	2/121
50C/12651	C1388/N1	Track , ammo-box to feed assister between Formers " H " & " J " Port				1	—	A	2/122
50C/12657	C1387/N	Track , ammo-box to feed assister between Formers " K " & " H " Starboard				1	—	A	2/123

ARMAMENT

GUN AND AMMUNITION INSTALLATION

Ref. No.	Part No.	Description				No. off	Matl. Spec.	Cl. of St.	Plate and Illust'n No.
		1	2	3	4			M.R.	
GUN INSTALLATION IN NOSE (X2016)									
Spares for :—									
50C/12470	D1351/N	Assembly, main	1	—	A	
50C/12537	C1358/N1	Base, control	4	—	A	
4740	6X2016	Bolt, hex.hd. $\frac{3}{8}$ " BSF, main assembly	2	—	A	
50C/12615	B1370/N3	Cable, assembly	1	—	A	
50C/12616	B1370/N4	Cable, assembly	1	—	A	
50C/12712	B1378/N	Column, control	1	—	A	
50C/12524	D1356/N1	Column, sight	1	—	A	
50C/12549	D1359/N	Drum, sealing, R.H.	1	—	A	
50C/12558	D1360/N	Drum, sealing, L.H.	1	—	A	
50C/12642	D1375/N17	Duct, ammo, L.H.	1	—	A	
50C/12643	D1375/N18	Duct, ammo, R.H.	1	—	A	
50C/12650	C1385/N	Duct, ammo, Flexible, R.H.	1	—	A	
50C/12655	C1386/N	Duct, ammo, Flexible, L.H.	1	—	A	
50C/12592	C1364/N	Gear, disengaging	1	—	A	
50C/12704	D1355/N	Generator, hydraulic	1	—	A	
4739	4X2016	Guard, for hydraulic ram	1	S3	C	
4741	1Z7170	Guard, for elbow	1	DTD610	C	
50C/12532	D1357/N	Head, sighting	1	—	A	
50C/12713	1377/N	Mounting, gun camera	1	—	A	
50C/4843	D446/E	Motor, electric	1	—	A	
50C/12604	D1367/N1	Panel, electrical	1	—	A	
4738	3X2016	Pin, taper, main assembly	2	—	C	
50C/12578	D1363/N	Piping, hydraulic	1	—	A	
50C/12560	C1361/N	Ram, azimuth	1	—	A	
50C/12568	C1362/N	Ram, hydraulic, gun elevation	1	—	A	
50C/12601	D1366/N1	Table, control	1	—	A	
50C/12599	B1365/N	Valve, pressure regulator and by pass	1	—	A	

PAGES 15 to 18 NOT ISSUED.



SHACKLETON Mk. 2

ARMAMENT
PYROTECHNIC INSTALLATION

Ref. No.	Part No.	Description				No. off	Matl. Spec.	Cl. of St.	Plate and Illust'n No.
		1	2	3	4			M.R.	
		PYROTECHNIC ASSEMBLIES Consisting of :— CHUTE, FLARE INSTALLATION IN NOSE, PORT (1Z6826) Spares for :—							2/124
5W/311	Plessey CZ53681/11/Q	Actuator	1	—	A	2/125
5093	1Z7212	BAG, CANVAS, FLARE CHUTE, FLOOR COVER, PORT, GROUP Spares for :—				1	—	C	2/126
29G/4135	Carrs Ltd. No. 670	Button, dot Fastener	13	—	C	
29G/4136	Carrs Ltd. No. 548 29Z6689	Socket, dot Fastener	13	—	C	
		BEARING, SPINDLE LEVER, GROUP Consisting of :—				1	—		2/128
	No. 101208 29aZ6689	Bush (C.T.174)	1	Oilite DTD683		
		Housing	1	—		
	13Z6826	BEARING, SPINDLE, BUSH, GROUP Consisting of :—				1	—		2/129
	No. 101208 13aZ6826	Bush, (C.T.174)	1	Oilite DTD683		
		Housing	1	—		
	15Z6826	Bush, for spindle $\frac{5}{8}$ " i/d x $\frac{3}{4}$ " o/d x $\frac{1}{2}$ "				1	L1/L40		2/130
11A/3819	—	Chute, flare				1	—		
5557	1Z6833	DOOR, FLARE, CHUTE, PORT, GROUP				1	—	B	2/131
4800	14Z6826	Lever, spindle				1	DTD364/L40	C	2/133
	16Z6826	Tube, $\frac{5}{8}$ " o/d x 17G x 10.3" long				1	T45		2/134
		CHUTE, FLAME FLOAT, IN REAR CENTRE PORTION (Z8540) (Mod. 552) Spares for :—							
	1Z9918	COVER, FRAME FLOAT CHUTE, GROUP				1	—		
11A/	AT81344	EJECTOR, FLAME FLOAT, GROUP				1	—	A	
14295	6Z8540	Fairing, for chute				1	L59	C	
	2Z8540	Tube, support				2	S3, T35		

ARMAMENT
PYROTECHNIC INSTALLATION

Ref. No.	Part No.	Description				No. off	Matl. Spec.	Cl. of St.	Plate and Illust'n No.
		1	2	3	4			M.R.	
		CHUTE, FLARE, SINGLE CELL, BETWEEN FORMERS 26-27 IN REAR CENTRE PORTION (Z8060)							2/135
5W/311	CZ5378/11Q	Spares for :— Actuator				1	—	A	2/125
	29Z6689	BEARING, SPINDLE LEVER, OUTBOARD, GROUP				1	—		2/137
	31Z6689	BEARING, SPINDLE LEVER, INBOARD, GROUP				1	—		2/138
	No. 101208	Consisting of :—							
	29aZ6689	Bush, CT. 174				1	—		
	31aZ6689	Housing, bush, outboard				1	DTD363		
		Housing, bush, inboard				1	DTD363		
9191	10Z8060	Bracket, actuator attachment, rear... ...				1	—	C	2/139
	14Z8060	BRACKET, MOUNTING, I/B, GROUP				1	—		2/141
	13Z8060	BRACKET, MOUNTING, O/B, GROUP				1	—		2/140
	24Z8060	COVER, FLARE CHUTE SEALING, GROUP				1	—		2/136
	24cZ8060	Spares for :— Cover, rubberised canvas				1	DTD921		
11A/3819	—	Chute, flare, Mk. 9				1	—	A	
9192	1Z8059	DOOR, FLARE CHUTE, GROUP ...				1	—	B	2/142
4800	14Z6826	Lever, to actuator				1	L46	C	2/143
6562	1Z7059	PANEL, ADJACENT TO FLARE CHUTE, GROUP				1	—	C	2/144
29G/4201	757	Spares for :— Stud, fastener				3	—	C	
	7Z8575	PANEL, DETACHABLE, AT FORMER 27, GROUP				1	—		
	4Z8060	PLATE, GUIDE, AFT, GROUP ...				1	—		2/146
	5Z8060	PLATE, GUIDE, FORWARD, GROUP				1	—		2/145
	27Z8060	Shaft, $\frac{5}{8}$" dia. x 10.5" long				1	L65		

SHACKLETON Mk. 2

**ARMAMENT
PYROTECHNIC INSTALLATION**

Ref. No.	Part No.	Description				No. off	Matl. Spec.	Cl. of St. M.R.	Plate and Illust'n No.
		1	2	3	4				
		CHUTE, FLAME FLOAT IN LAUNCHING INSTALLATION IN REAR CENTRE PORTION BETWEEN FORMERS 27-29 (Z6801)							2/147
2863	4Z4974	Spares for :— Arm, support for top door L.H.				1	—	C	2/148
2864	5Z4974	Arm, support for top door R.H.				1	—	C	2/149
4300	1Z6802	DOOR, TOP, GROUP				1	—	C	2/150
2865	5Z4977	Spares for :— Block				1	L1	C	2/213
	10Z4977	Plate, bearing				2	S1		
	3Z6802	Seal, door 6¼" x 4" x 1/16"				1	Linatex		
2867	6Z4977	Seal, flanged, tube forward				1	L1	C	2/214
2866	7Z4977	Seal, flanged, tube aft				1	L1	C	2/215
5267	12Z4977	Sleeve, flanged				2	L1	C	
1409	13Z4977	Spring, handle				1	—		2/216
2868	3Z4977	TUBE, HANDLE, GROUP				1	—	C	2/217
	4Z4977	Spares for :— Catch, end piece				1	S1		
	3bZ4977	Collar, tube				1	L40		
4301	1Z6803	DOOR, BOTTOM, GROUP				1	—	C	2/151
	7Z4979	Spares for :— Plate, bearing				1	S3		
	8Z4979	Plate, bearing				1	S3		
1411	1Z4978	DOOR, SEALING, CHUTE TUBE, TOP GROUP				1	—	C	2/152
	14Z6801	Gasket				2	L72		2/153
5481	5Z6801	INTERCOSTAL L.H. GROUP				1	—	C	
5480	6Z6801	INTERCOSTAL R.H. GROUP				1	—	C	
	3Z6801	Plate, base, top door				1	L72		
5055	9Z6801	PLATE, TOP, BOTTOM DOOR, GROUP				1	—	C	
4891	18Z6801	ROD, CONNECTING, DOOR OPERATING, GROUP				2	—	C	2/154
	15Z6801	Seal, gasket 3" x 2" x 1/16"				2	Linatex		2/155
4892	19Z6801	Stud, bottom door				2	S1	C	2/156
5054	11Z4974	Stud, top door arm				2	S1	C	2/157
	2Z6801	TUBE, FLARE, CHUTE GROUP				1	—		2/158

ARMAMENT
PYROTECHNIC INSTALLATION

Ref. No.	Part No.	Description	No. off	Matl. Spec.	Cl. of St.	Plate and Illust'n No.
					M.R.	
		DISCHARGER SIGNAL, IN REAR CENTRE PORTION, BETWEEN FORMERS 20-22 STARBOARD SIDE (Z4256)				2/159
	2Z4256	Spares for :— BRACKET, MOUNTING DISCHARGER TOP GROUP	2	—		
	19Z4256	BRACKET MOUNTING DISCHARGER BOTTOM GROUP	2	—		
6251	21Z4256	COVER, SEAL DISCHARGER GROUP Consisting of :—	4	—	C	
1371	21bZ4256	Pad sealing	1	Rubber		2/160
1531	21aZ4256	Plate sealing	2	L72		2/161
7B/1402	—	Discharger signal	4	—	A	2/162
		DISCHARGER, PHOTOFLASH IN REAR CENTRE PORTION BETWEEN FORMERS 22-23 PORT (D7622)				2/163
		Spares for :—				
5327	2D7622	Bracket, Mounting discharger	1	S3 & T35	C	
13062	1SS3264	Clip, pipe	2	—	C	2/164
3699	7D2325	Cover, drain outlet	1	L16	C	
7B/1369	—	Discharger, photoflash (Pre-Mod. 610)	1	—	A	
7B/1402	—	Discharger, photoflash (Mod. 610)	1	—	A	
2374	13D7622	Plate, cover	1	L72	C	2/165
	11D7622	Pipe, drain	1	—	C	2/166
2373	12D7622	Seal, rubber	2	Rubber	C	2/167
7B/982	—	Pistol, signal at former 2 (floor, starboard) ...	1	—	A	2/168
		STOWAGE, ILLUMINATING CARTRIDGES, BETWEEN FORMERS 18-20, STARBOARD (Z6823)				2/172
		Spares for :—				
4492	5Z6823	COVER, FRONT, BETWEEN FORMERS 19-20 GROUP	1	—	A	2/173
4493	6Z6823	COVER, FRONT, BETWEEN FORMERS 18-19 GROUP	1	—	A	2/174
	21Z6823	COVER, SIDE, AT FORMER 18 GROUP	1	—		2/175
	22Z6823	COVER, SIDE, AT FORMER 20 GROUP	1	—		2/176
	23Z6823	COVER, TOP, GROUP	1	—		2/177
	29Z6823	PLATE, CLAMP FOR CARTRIDGES GROUP	1	—		2/178
4491	4Z6823	PLATE, CLAMP GROUP	1	—	C	2/179

SHACKLETON Mk. 2

ARMAMENT
PYROTECHNIC INSTALLATION

Ref. No.	Part No.	Description				No. off	Matl. Spec.	Cl. of St.	Plate and Illust'n No.
		1	2	3	4			M.R.	
14286	1Z9532	STOWAGE, 32 FLAME FLOATS ON BULKHEAD AT FORMER 22, IN REAR CENTRE PORTION, GROUP				1	—	B	2/180
	2Z9532	Spares for :— STOWAGE, GROUP				2	—		2/181
7861	7Z9532	Stud				9	S1	C	2/182
14672	1Z9531	STOWAGE, PHOTOFLASH CARTRIDGE BETWEEN FORMERS 22 & 23, IN REAR CENTRE PORTION, GROUP				1	—	C	2/183
	3Z7819	Spares for :— HOLDER, CARTRIDGE, GROUP ...				1	—		2/185
	4Z9173	Stud				4	S1		2/187
		STOWAGE, EMPTY SIGNAL CARTRIDGES BETWEEN FORMERS 20 & 22 (Z6884)							2/194
4830	1Z6883	Spares for :— BAG, STOWAGE, GROUP				1	—	C	2/195
28FP/	AW6/45	Spares for :— Fastener, wing type				3	—		
	6Z6883	STRAP, SECURING, GROUP ...				2	—		
	5Z6883	STRAP, SECURING, GROUP ...				2	—		
		STOWAGE, PYROTECHNIC, FOR SONO-BUOY INSTALLATION, BETWEEN FORMERS G & K (X2179) (See Sono-Buoy Installation)							

ARMAMENT
PYROTECHNIC INSTALLATION

Ref. No.	Part No.	Description				No. off	Matl. Spec.	Cl. of St.	Plate and Illust'n No.
		1	2	3	4			M.R.	
		STOWAGE, AMMO. BOX AND PYROTECHNICS AT FORMER F & G IN NOSE, STARBOARD (X2178)							
	13X2178	Spares for :— Guard, between formers (Mod. 771) ...				1	L54, L59		
	76X2009	STOWAGE, ACCUMULATOR, GRP.				1	—		
		STOWAGE, AMMO. BOX, IN NOSE, PORT, GROUP (X2176)							
	2X2176	Spares for :— PRESSING, BOTTOM, FORMER "G", GROUP				1	—		
	3X2176	PRESSING, BOTTOM, FORMER "F", GROUP				1	—		
	8X2176	PRESSING, TOP, FORMER "G", GROUP (Mod. 771)				1	—		
	5X2176	PRESSING, TOP, FORMER "F", GROUP				1	—		
	9X2176	Tray, stowage				1	L72		
		STOWAGE, PYROTECHNIC, BETWEEN FORMERS F & G, STARBOARD (5Z9754) (Mod. 771)							
	2X2179	Spares for :— BLOCK, STRAP, GROUP				2	—		2/197
	5X2179	Spares for :— Buckle				2	BSS265		2/201
	6X2179	Plate, strap				4	L72		2/218
	7X2179	STRAP, C/W BUCKLE, GROUP ...				2	—		2/199
4483	36X2009	STRAP, C/W BUCKLE, GROUP ...				2	—	C	2/198
4821	50X2009	STRAP, C/W BUCKLE, GROUP ...				2	—	C	2/202
	8X2179	STRAP, C/W BUCKLE, GROUP ...				2	—		2/200

SHACKLETON Mk 2

**ARMAMENT
PYROTECHNIC INSTALLATION**

Ref. No.	Part No.	Description				No. off	Matl. Spec.	Cl. of St.	Plate and Illust'n No.
		1	2	3	4			M.R.	
		STOWAGE, PYROTECHNIC, BETWEEN FORMERS F & G, STARBOARD (5Z9754) (Mod. 771) (Cont'd)							
	3X2179	BLOCK, STRAP, GROUP				2	—		
		Spares for :—							
	5X2179	Buckle				2	—		2/201
	6X2179	Plate, strap				4	—		2/218
	7X2179	STRAP, C/W BUCKLE, GROUP ...				2	—		2/199
4483	36X2009	STRAP, C/W BUCKLE, GROUP ...				2	—	C	2/198
	8X2179	STRAP, C/W BUCKLE, GROUP ...				2	—		2/200
	4X2179	BLOCK, STRAP, GROUP				2	—		
		Spares for :—							
	5X2179	Buckle				2	—		2/201
	6X2179	Plate, strap				4	—		2/218
	8X2179	STRAP, C/W BUCKLE, GROUP ...				2	—		2/200
4821	50X2009	STRAP, C/W BUCKLE, GROUP ...				2	—		2/202
4483	36X2009	STRAP, C/W BUCKLE, GROUP ...				2	—		2/198
	1cSS3423	Loop, for single straps				2	—		
	5Z7121	STRAP, SINGLE, TOP, GROUP ...				2	—		
	6Z7121	STRAP, SINGLE, BOTTOM, GROUP				2	—		
	6Z4720	Tube, distance, for single straps				8	L56		
	5bZ9754	Washer, special, for single straps				8	S3		
		STOWAGE, SIGNAL CARTRIDGE & MOUNTING OF CONTROL UNIT IN FRONT CENTRE PORTION (Z9921) (Mod. 771)							2/169
		Spares for :—							
28D/8341	AS1248/1C	Bolt, mush hd.				4	—	C	2/170
	1SS4039	Fastener				1	—		
10AM/124	—	Label				1	—	C	
	30T4602	Label				1	—		
	2Z9921	STOWAGE, CARTRIDGE, GROUP ...				1	—		2/171
10L/16320	—	Unit, control, type 7681 (See Radio & Radar—Intercomm. Installation)				1	—	A	

PAGES 27 to 30 NOT ISSUED.

1945
C. J. ...

FOR THE ...

SHACKLETON Mk 2

ARMAMENT

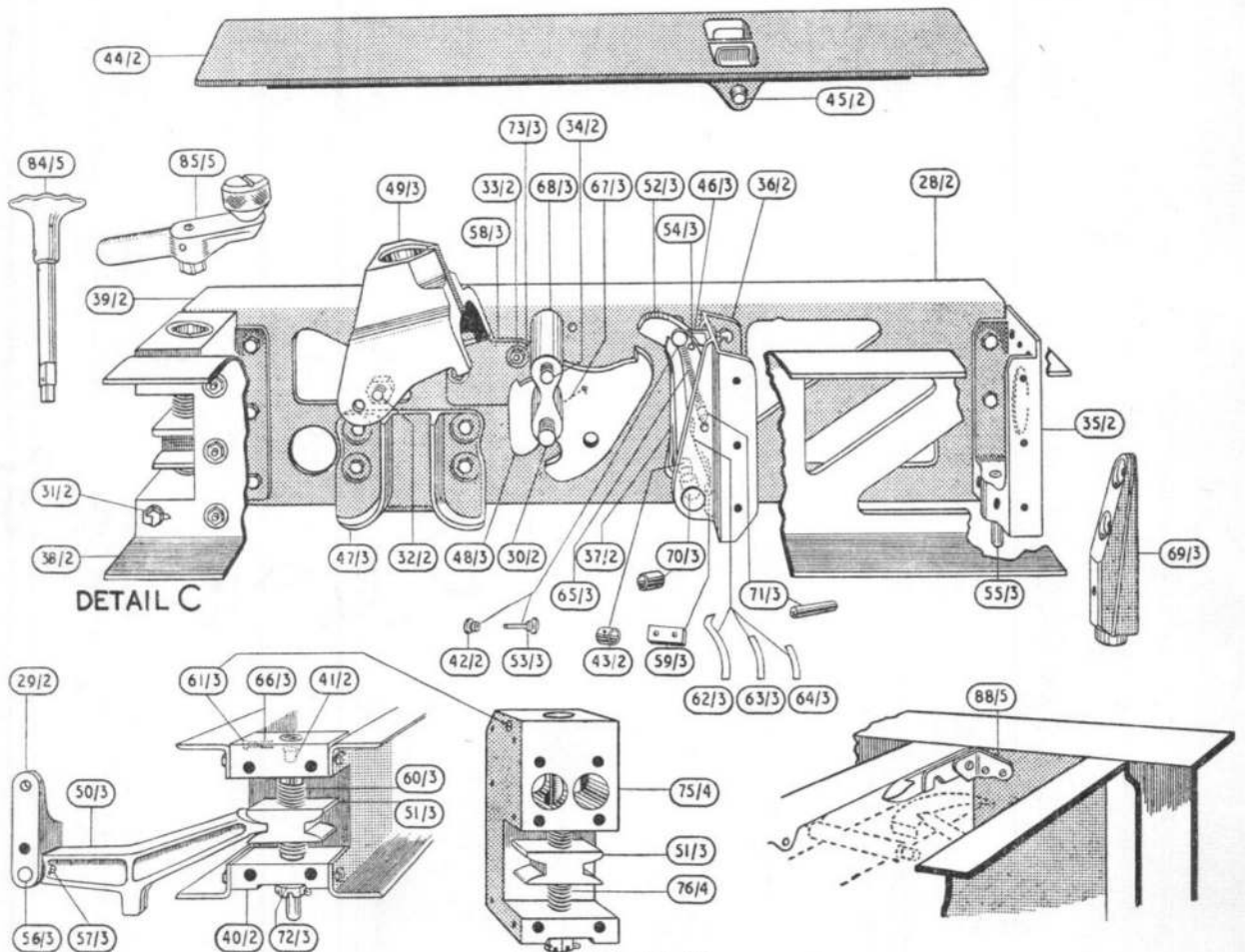
TURRET

Ref. No.	Part No.	Description				No. off	Matl. Spec.	Cl. of St.	Plate and Illust'n No.
		1	2	3	4			M.R.	
		TURRET ASSEMBLY							
		Spares for :—							
		PEDESTAL, FOR LOCATING DOWEL, MID UPPER TURRET (40D 8096)							2/205
		Spares for :—							
	1V5688	PANEL, HINGED, SWITCH CONTROL GROUP				1	—		2/206
		(See Equipment Aircraft :— Instrument Panels)							
1167	23D/8096	Pin, dowel	1	S21 & S3	C	2/207
		TURRET, MID-UPPER, MOUNTING (D 7249)							
		Consisting of :—							
28D/8341	AS1248/1C	Bolt, Mush. hd. 2BA x .50" long attachment of Fairing				34	—	C	
964	1C2160	Fairing, for turret				1	DTD213	C	2/208
50A/180	—	TURRET, BRISTOL TYPE 17 MK6 GROUP				1	—	A	2/209
2877	6D7249	Washer, for bolts, turret attachment ...				12	DTD610	C	2/210
2878	7D7249	Washer, laminated, for turret bolts (if required)				12	—	C	2/211

MEMORANDUM

MEMORANDUM

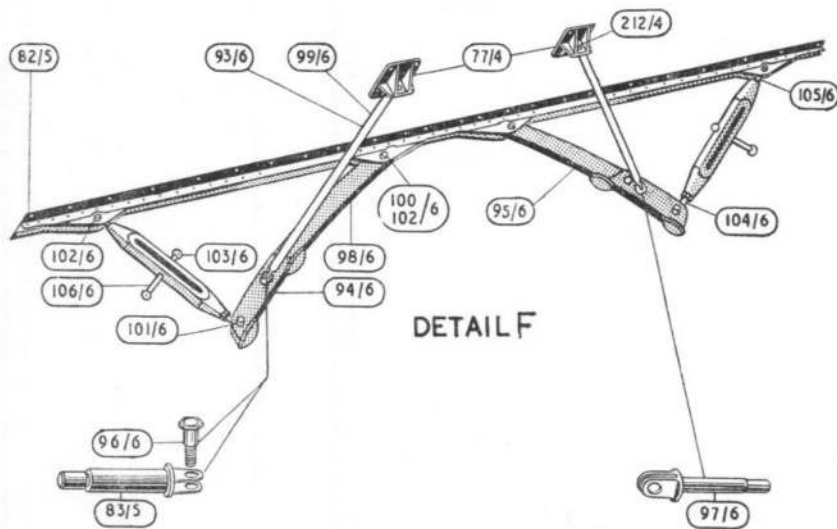
MEMORANDUM



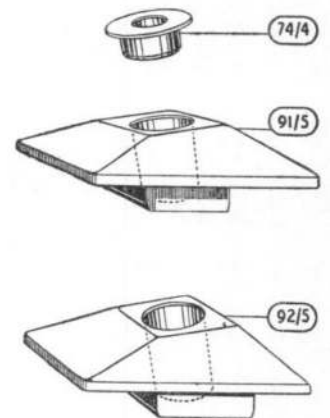
DETAIL C

DETAIL D

DETAIL E



DETAIL F



ARMAMENT
BOMB GEAR

PLATE NO. 1
REV. NO. 1

DETAIL





This file was downloaded from the RTFM Library.

Link: www.scottbouch.com/rtfm

Please see site for usage terms, and more aircraft documents.

