

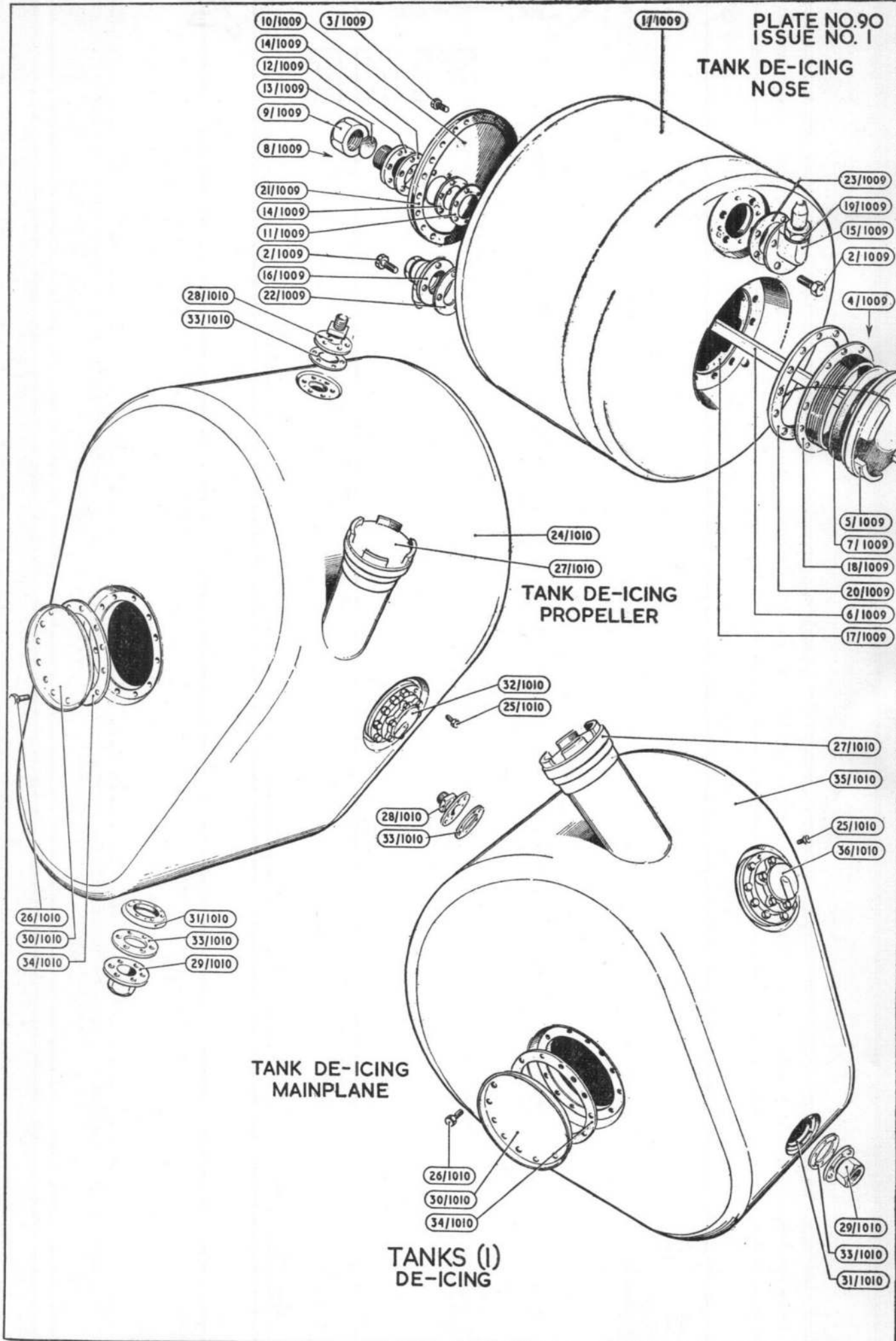
TANKS
DE-ICING

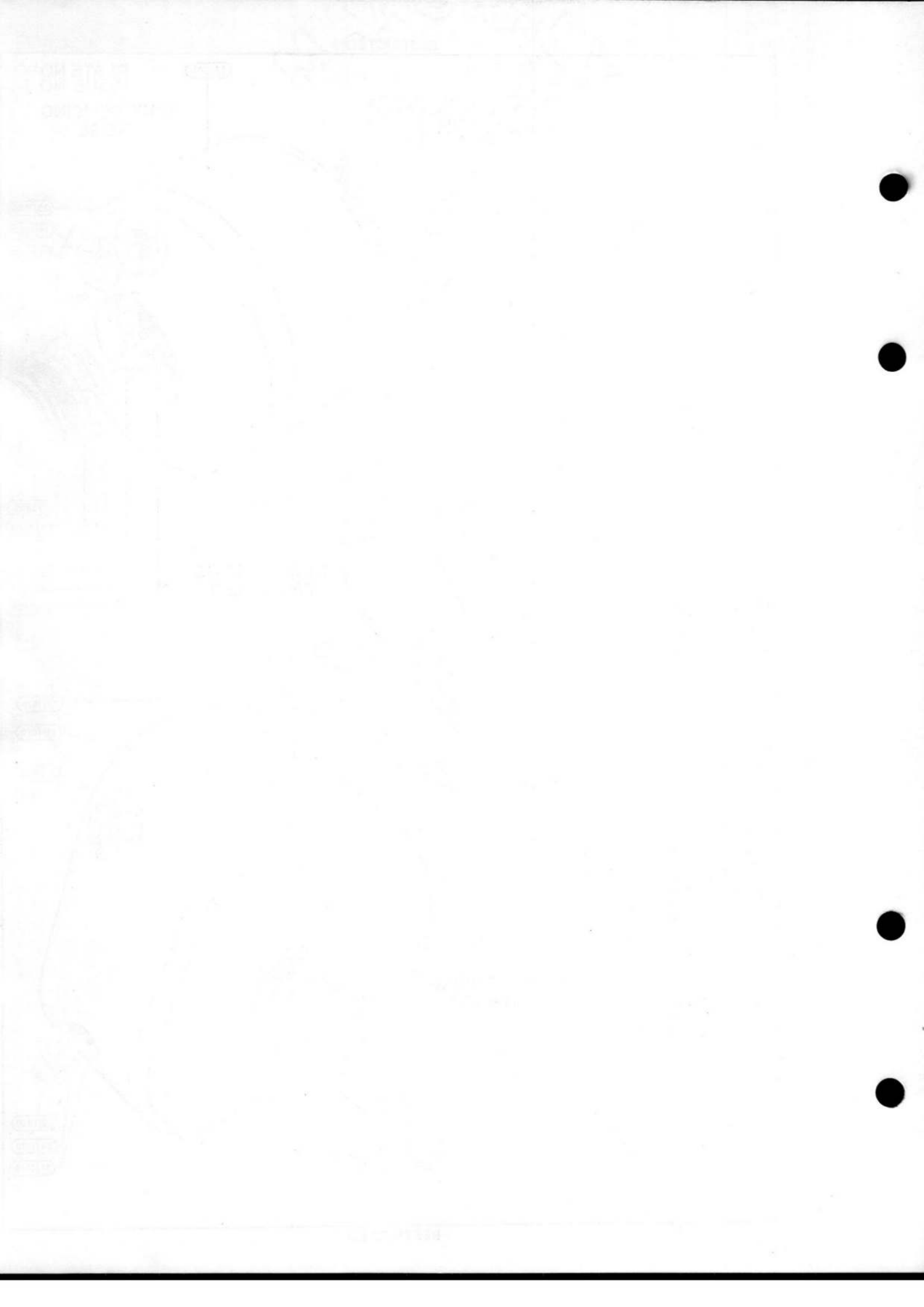
Ref. No.	Part No.	Description				No. off	Matl. Spec.	Cl. of St.	Plate and Illust'n No.
		1	2	3	4			M.R.	
		TANK ASSEMBLIES, DE-ICING							
		Consisting of:—							
4416	1Q1717	TANK, DE-ICING IN NOSE FUSELAGE, GROUP				1	—	A	90/1
		Spares for:—							
3794	20P2499	Bolt , hex. hd, 2 BA attachment of ring ...				20	—	C	90/2
2160	26P1699	Bolt , hex. hd, 2 BA attachment of cover plate				20	S2 or S11	C	90/3
4417	22Q1717	CAP, FILLER, GROUP				1	—	C	90/4
		Consisting of:—							
	10Q1717	Cap , filler				1	—		90/5
	15Q1717	Dipstick				1	—		90/6
	18Q1717	Packing , dipstick				1	—		
28Q/12342	AS2227/309	Rivet , snap hd, $\frac{3}{32}$ " dia. x $\frac{9}{16}$ " long ...				1	—	C	
4876	23Q1717	Washer , cap				1	Leather	C	90/7
	5Q1717	COVER, DOOR INSPECTION, GROUP				1	—		90/8
		Consisting of:—							
28D/1200119	A25/4C	Bolt , hex. hd				6	—	C	
28M/10288	AGS2001/C1	Nut , stiff, 2 BA x .4" plain				6	—	C	
4747	F/SS2356	Nut , cap				1	B6 or B13	C	90/9
	5aQ1717	Plate , cover... ..				1	L72		90/10
	5eQ1717	Plate , retaining				1	L72		90/11
	5bQ1717	Union , drain				1	L1		90/12
5042	25Q1717	Washer				1	Leather	C	90/13
5043	5dQ1717	Washer				2	H10	C	90/14
28W/9419454	SP10/C	Washer , 2 BA				6	—	C	
4419	17Q1717	Elbow , connection air inlet				1	—	C	90/15
	8Q1717	Flange , outlet				1	—		90/16
6541	24Q1717	Ring , bolt				1	L33	C	90/17
4748	29Q1717	Ring , nut for cover plate (Mod. 422) ...				1	L33	C	
	9Q1717	Ring , retaining flange outlet				1	L33		
5040	11Q1717	Sealing , filler				1	DTD364	C	90/18
	4Q1714	Tank , shell c/w overflow pipe				1	DTD313		
4421	12Q1717	Washer , for outlet elbow				1	Langite	C	90/19
4420	19Q1717	Washer , for bolt ring, filler cap				1	Langite	C	90/20
4749	27Q1717	Washer , cover plate				2	H10	C	90/21
5041	28Q1717	Washer , outlet flange				2	H10	C	90/22
	10SS1885	Washer , elbow union				1	—		90/23

TANKS
DE-ICING

Ref. No.	Part No.	Description	No. off	Matl. Spec.	Cl. of St.	Plate and Illust'n No.	
					M.R.		
		1	2	3	4		
911	1Z4075	TANK, DE-ICING, PROPELLER, GROUP	1	—	A	90/24	
		Spares for:—					
3779	7Q1022	Bolt , hex. hd, 2 BA x $\frac{13}{16}$ " long attachment of sealing ring	11	S1	C	90/25	
13561	27P1888	Bolt , hex. hd, 2 BA, attachment of sealing rings	36	S1	C	90/26	
28N/3720	AGS607	Cap , filler	1	—	C	90/27	
	6Z3043	Coupling , flanged, $\frac{1}{4}$ " BSF	1	L1		90/28	
	5Z4074	Coupling , flanged, $\frac{3}{4}$ " BSF	1	L1		90/29	
13272	9P1888	Plate , cover, tank unit	2	L72	C	90/30	
3784	3Z3043	Ring , inner, top and bottom coupling ...	2	L1	C	90/31	
	Smiths						
6A/2840	1385/FG	Unit , tank	1	—	A	90/32	
3778	4Z3043	Washer , jointing, top and bottom coupling	2	Langite	C	90/33	
13130	10P1888	Washer , jointing	2	Langite	C	90/34	
7903	4Z4074	TANK, DE-ICING, MAINPLANE, TAIL-PLANE AND FIN, GROUP (Mod. 768)	1	—	A		
908	1Z4074	TANK, DE-ICING, MAINPLANE, TAIL-PLANE AND FIN, GROUP (Pre Mod. 768)	1	—	A	90/35	
		Spares for:—					
3779	7Q1022	Bolt , hex. hd, 2 BA x $\frac{13}{16}$ " long attachment of sealing ring	11	S1	C	90/25	
13561	27P1888	Bolt , hex. hd, 2 BA, attachment of sealing rings	36	S1	C	90/26	
28N/3720	AGS607	Cap , filler	1	—	C	90/27	
	6Z3043	Coupling , flanged, $\frac{1}{4}$ " BSF	1	L1		90/28	
	5Z4074	Coupling , flanged, $\frac{3}{4}$ " BSF	1	L1		90/29	
13272	9P1888	Plate , cover, tank unit	1	L72	C	90/30	
3784	3Z3043	Ring , inner, top and bottom coupling ...	2	L1	C	90/31	
	SMITHS						
6A/2841	1387/FG	Unit , tank	1	—	A	90/36	
3778	4Z3043	Washer , jointing, top and bottom coupling	2	Langite	C	90/33	
13130	10P1888	Washer , jointing	2	Langite	C	90/34	

TANK DE-ICING
NOSE





SHACKLETON Mk. 2

TANKS

FUEL

Ref. No.	Part No.	Description				No. off	Matl. Spec.	Cl. of St.	Plate and Illust'n No.
		1	2	3	4			M.R.	
TANK ASSEMBLIES FUEL									
Consisting of:—									
4016	GROUP	TANK FUEL No. 1 WITH PROTECTIVE COVERING, PORT (1P2912 less fuel gauge and pump)				1	—	A	91/37
4017	GROUP	TANK FUEL No. 1, WITH PROTECTIVE COVERING STARBOARD (2P2912 less fuel gauge and pump)				1	—	A	91/38
Spares for:—									
4724	3P2932	Cock , drain 1/4" BSF (Rotherham D4) ...				1	—	C	91/39
13170	6P1835	Plate , washer ...				1	L72	C	91/40
13171	8P1835	Plate , washer ...				1	L72	C	91/41
	15P1835	Plate , serial ...				1	—		
13803	20P2110	Plate , washer ...				1	L72	C	91/42
5260	6P2912	Ring , clamping at fuel pump ...				1	L72	C	91/43
4834	119P2683	Ring , clamping, drain cock ...				1	L72	C	91/44
	—	TANK FUEL, LESS COVERING, PORT (1P2915)				1	—		
	—	TANK FUEL, LESS COVERING, STARBOARD (2P2915)				1	—		
Spares for:—									
5062	13P2911	Bolt , hex. hd, 2 BA, fuel pump ...				4	S96		91/45
4839	27P2915	Bolt , hex. hd, 2 BA, fuel pump ...				8	S96	C	91/46
13269	110P2683	Boss , drain on sump ...				1	L1	C	91/47
13802	32P1834	Elbow , vent... ...				1	L33	C	91/48
13330	17P2110	Elbow , transfer 1" BSP ...				1	DTD424	C	91/49
	49P1929	Gasket , access cover ...				2	DTD219	C	91/50
	SMITHS								
6A/2202	1219FG	Gauge , tank unit ...				1	—	A	91/51
13729	1P2145	Guard , vent elbow ...				1	S3 & T26	C	91/52
	30P2147	Plate , blanking ...				1	L72		91/53
13272	9P1888	Plate , cover inspection ...				3	L72	C	91/54
	101P2683	Plate , cover... ...				1	L72		91/55
13430	1SS3837	Plate , locking ...				18	—	C	91/56
13431	2SS3839	Plate , locking ...				23	—	C	91/57
5UE/4986	—	Pump , fuel ...				1	—	A	
26EA/12984	11P1888	Stud , transfer elbow ...				8	S1	C	91/38
5078	32P2447	Stud , 2 BA fuel gauge ...				1	S1	C	91/59
3791	29P2244	Stud , 2 BA fuel gauge ...				11	S1	C	91/60
13867	28P2244	Stud , 2 BA vent elbow ...				8	S1	C	91/61
13130	10P1888	Washer filler and inspection covers ...				8	DTD219	C	91/62
13275	24P1888	Washer , vent elbow ...				3	DTD219	C	91/63
13554	27cF3823	Washer , fuel gauge ...				1	DTD219		91/64
13432	18P2110	Washer , transfer elbow ...				2	DTD219	C	91/65
4837	111P2683	Washer , sump gauge ...				1	DTD219	C	91/66
4576	15P2915	Washer , sealing fuel pump ...				3	DTD219	C	91/67
4847	121P2683	Washer , drain cock ...				1	DTD219	C	91/68
4848	122P2683	Washer , drain cock ...				1	DTD219	C	91/69
3786	8P2245	Washer , for filler inspection door ...				1	Leather	C	91/70

SHACKLETON Mk 2

TANKS

FUEL

Ref. No.	Part No.	Description				No. off	Matl. Spec.	Cl. of St.	Plate and Illust'n No.
		1	2	3	4			M.R.	
4018	GROUP	TANK, FUEL, FLEXELITE No. 2, PORT				1	—	A	91/71
		(1P2930 less fuel gauge)							
4019	GROUP	TANK, FUEL, FLEXELITE No. 2, STARBOARD (2P2930 less fuel gauge)				1	—	A	91/72
		Spares for:—							
		FILLER, NECK, COMPLETE							
		(Marstons Ref. No. BM1748)							
		Consisting of:—							
13428	11P2246	Arm, filler cap (CM2352)	1	L1 or L40	C	91/73	
13535	9P2454	Cap, filler (CM2344)	1	L1 or L40	C	91/74	
13427	8P2246	Eyebolt, (CM2351)	1	S6	C	91/75	
13424	4P2246	Neck, filler (CM2343)	1	DTD231	C	91/76	
13426	7P2246	Nut, hand (CM2350)	1	—	C	91/77	
13271	37P1888	Nut, 2 BA (CM2347)	1	S1	C	91/78	
28P/835	SP4/Y/B9	Pin, $\frac{3}{16}$ " dia. x .65" long	1	—	C		
28P/837	SP4/Y/B11	Pin, $\frac{3}{16}$ " dia. x .75" long	1	—	C		
28P/5033	AGS784/4	Pin, $\frac{1}{16}$ " x $1\frac{1}{4}$ "	1	—	C		
13425	12P2246	Pivot (CM2346)	1	—	C	91/79	
	32P2233	Ring, $\frac{1}{2}$ " dia. (BM179/9)	1	Brass Wire	C	91/80	
13276	30P1888	Washer (CM2345)	1	Rubber	C	91/81	
13277	35P1888	Washer (CM2349)	1	Langite	C	91/82	
13778	36P1888	Washer (CM2348)	1	Langite	C		
6A/1874	Smiths 865/FG	Gauge, fuel, float type	1	—	A	91/83	
4020	GROUP	TANK, FUEL, FLEXELITE No. 3, PORT, (1P2931 less fuel gauge)				1	—	A	91/84
4021	GROUP	TANK, FUEL, FLEXELITE No. 3, STARBOARD (2P2931 less fuel gauge)				1	—	A	91/85
		Spares for:—							
6A/1875	Smiths 866	Gauge, fuel, float type	1	—	A	91/86	
125	1P3006	TANK, FUEL, FLEXELITE No. 4, PORT				1	—	A	91/87
126	2P3006	TANK, FUEL, FLEXELITE No. 4, STARBOARD				1	—	A	91/88
		Spares for:—							
		FILLER, NECK, COMPLETE							
		(Marstons Ref. No. BM1748)							
		Consisting of:—							
13428	11P2246	Arm, filler cap (CM2352)	1	L1 or L40	C	91/73	
13535	9P2454	Cap, filler (CM2344)	1	L1 or L40	C	91/74	
13427	8P2246	Eyebolt (CM2351)	1	S6	C	91/75	
13424	4P2246	Neck, filler (CM2343)	1	DTD231	C	91/76	
13426	7P2246	Nut, hand (CM2350)	1	—	C	91/77	
13271	37P1888	Nut, 2 BA (CM2347)	1	S1	C	91/78	
28P/835	SP4/Y/B9	Pin, $\frac{3}{16}$ " dia. x .65" long	1	—	C		
28P/837	SP4/Y/B11	Pin, $\frac{3}{16}$ " dia. x .75" long	1	—	C		
28P/5033	AGS784/4	Pin, $\frac{1}{16}$ " x $1\frac{1}{4}$ "	1	—	C		
13425	12P2246	Pivot (CM2346)	1	—	C	91/79	
	32P2233	Ring, $\frac{1}{2}$ " dia. (BM179/9)	1	Brass Wire	C	91/80	
13276	30P1888	Washer (CM2345)	1	Rubber	C	91/81	
13277	35P1888	Washer (CM2349)	1	Langite	C	91/82	
13778	36P1888	Washer (CM2348)	1	Langite	C		

SHACKLETON Mk. 2

TANKS

FUEL

Ref. No.	Part No.	Description				No. off	Matl. Spec.	Cl. of St.	Plate and Illust'n No.
		1	2	3	4			M.R.	
4043	1P2908	TANK, DROP FUEL OVERLOAD (400 GALL.) IN CENTRE SECTION BOMB BAY, S.O.O., GROUP (Pre Mod. 679)				1	—	A	92/89
143	4P2908	TANK, DROP FUEL OVERLOAD (400 GALL.) IN CENTRE SECTION BOMB BAY, S.O.O., GROUP (Mod. 679)				1	—	A	92/89
		Spares for :—							
5140	26P2638	Bracket				1	—	C	92/90
	25P2638	Bracket, for suppressor				1	—		92/91
	38V4578	Cable, to fuel pump (metal braided) ...				1	—		92/92
	732V5630	CABLE AND PLUG, GROUP ...				1	—		92/93
27ZA/9	Extractor Co. 5915	Coupling, fuel pump connection, male ¾" BSP				1	—	C	92/94
27ZA/10	Extractor Co. 5918	Coupling, fuel pump connection, male 1" BSP				1	—	C	92/95
7613	45P2638	Diaphragm				2	—		92/96
2663	70P2638	DIPSTICK, FUEL, GROUP (Pre-Mod. 679)				1	—	C	92/96
6810	82P2638	DIPSTICK, FUEL, GROUP (Mod. 679)				1	—	C	
5K/87	—	Nut, gland				2	—	C	92/98
	41P2638	Patch, rib				9	Canvas		
	42P2638	Patch, rib				4	Canvas		
4572	2P2908	PIPE, FUEL, FLYLIGHT No. 4, ½" BORE x 10' 10" LONG (Mod. 679)				1	—	C	
2322	29P2638	PIPE, FUEL, GROUP				1	—	A	92/99
4573	3P2908	PIPE, VENT, FLYLIGHT No. 4, 1" BORE x 8½" LONG (Mod. 679)				1	—	C	
2323	30P2638	PIPE, FUEL VENT, GROUP				1	—	A	92/100
	27P2638	Plate, retaining				2	—		92/101
5K/36	—	Sleeve				1	—	C	92/102
5K/59	—	Sleeve, inner				1	—	C	92/103
5K/62	—	Sleeve, outer				1	—	C	92/104
5CY/2866	—	Suppressor				1	—	A	92/105
4775	51P2638	Tag, locking				8	—	C	92/106

SHACKLETON Mk. 2

Page 1016

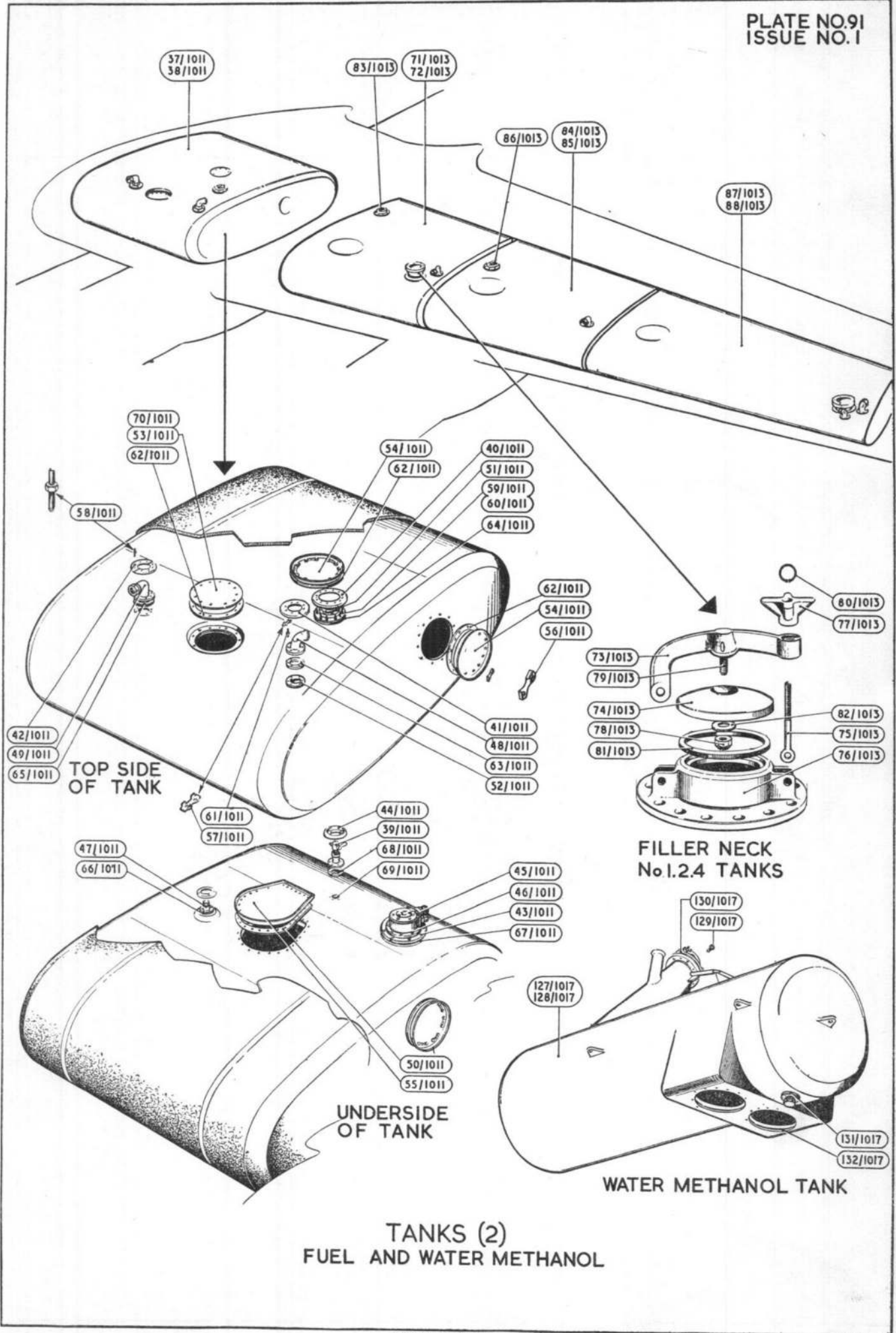
TANKS
FUEL

Ref. No.	Part No.	Description				No. off	Matl. Spec.	Cl. of St.	Plate and Illust'n No.
		1	2	3	4			M.R.	
		TANK, DROP FUEL OVERLOAD (400 GALL.) IN CENTRE SECTION BOMB BAY, S.O.O., GROUP (Mod. 679) (Cont'd)							
		TANK, FUEL, LESS COVERING (3P2638) (Less Gauge and Pump)							
		Spares for :—							
13651	27P1888	Bolt, hex.hd, 2 BA for cover plates	120	—	C	92/107
26EA/16491	86P1949	Boss	1	L1	C	92/108
13802	17P2110	Elbow	1	DTD424	C	92/109
	Smiths								
26EA/2203	1225/FG	Gauge, fuel, type "280" (not supplied, order separate)				1	—	A	99/110
7036	23P2638	NECK, FILLER, GROUP	1	—	B	92/111
		Spares for :—							
1661	AS2510	Cap, filler	1	—	C	92/112
13272	9P1888	Plate, cover, for inspection door	12	L72	C	92/113
5U/3751 or 5UE/4986		Pump, fuel (not supplied, order separate)				1	—	A	92/114
13314	13P2124	Ring, retaining, filler neck	1	L33	C	92/115
13312	21P2124	Ring, sealing end cover	2	Langite	C	92/116
3789	33P2638	Seal, drain plug	1	Langite	C	92/117
13273	21P1888	Socket, bonding	1	L1 or L40	C	92/118
26EA/12984	11P1888	Stud, retaining rings	8	S1	C	92/119
13274	23P1888	Stud, retaining rings	8	S1	C	92/120
3791	29P2244	Stud, retaining rings	35	S1	C	92/121
13131	22P1888	Washer, drain sump	4	Langite	C	92/122
3792	36P2638	Washer, sealing	2	Langite	C	92/123
13313	9P1170	Washer, sealing, filler neck	2	Langite	C	92/124
13432	18P2110	Washer, sealing, vent elbow	2	Langite	C	92/125
4569	10P1888	Washer, sealing	20	—	C	
28F/10503	AGS1109/D	Union, reducing $\frac{3}{4}$ " x 1" BSP	1	—	C	
28F/9707	AGS1103/4	Union, 1" BSP	1	—	C	
3793	7SS1885	Washer, joint	2	—	C	92/124

SHACKLETON Mk. 2

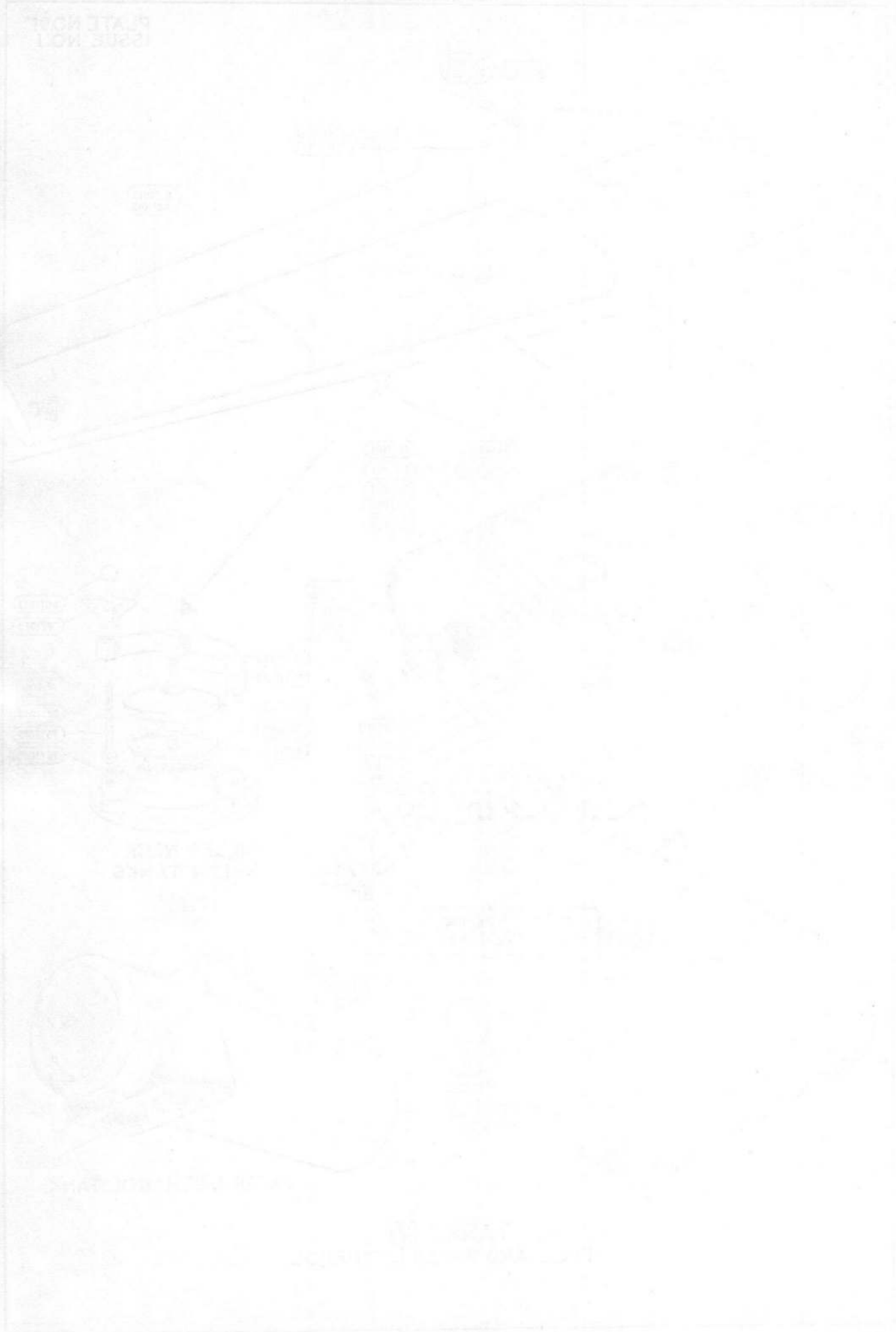
TANKS
WATER METHANOL

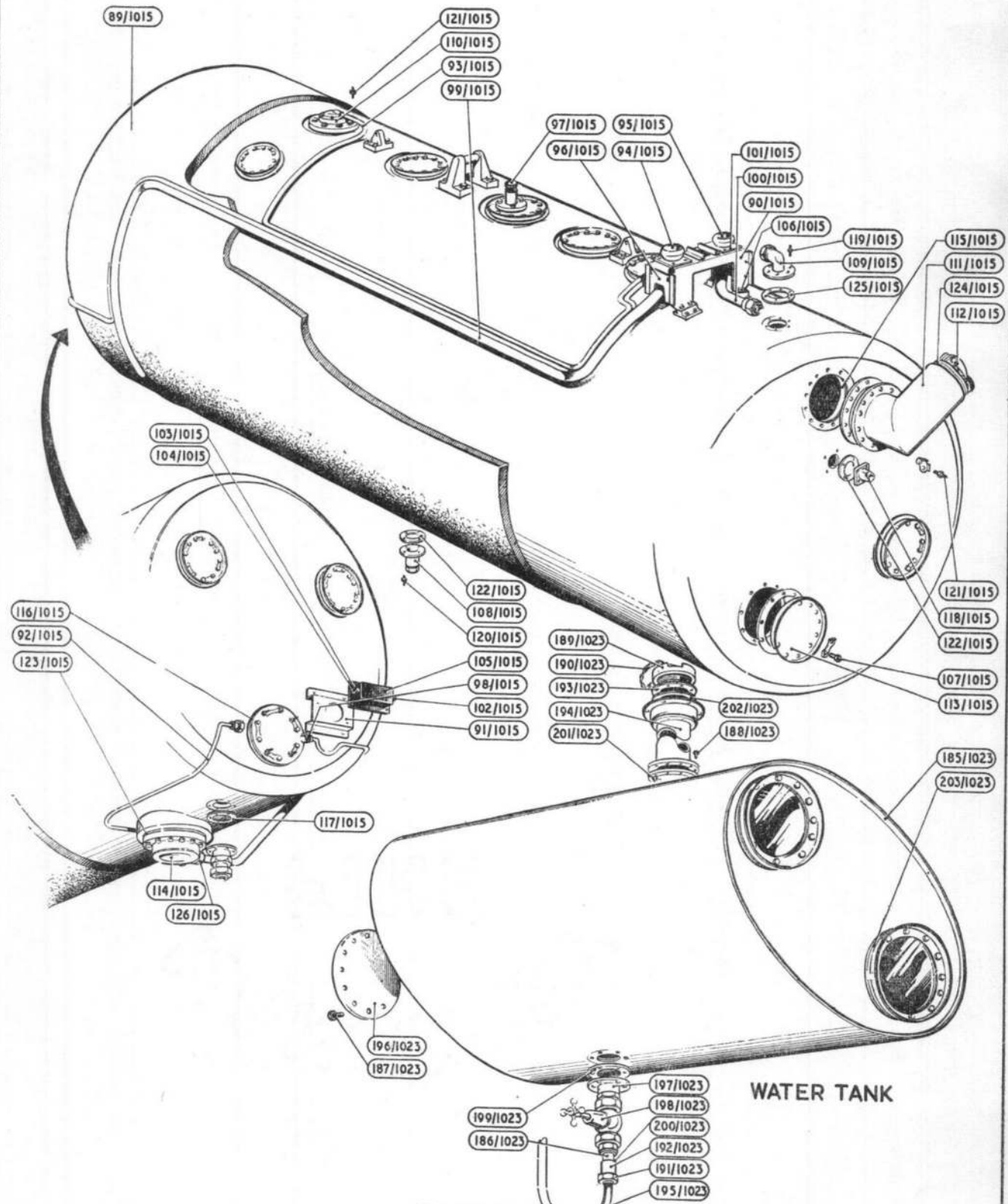
Ref. No.	Part No.	Description				No. off	Matl. Spec.	Cl. of St.	Plate and Illust'n No.
		1	2	3	4			M.R.	
2421	13P2822	TANK, WATER METHANOL, PORT, GROUP				1	—	A	91/127
2422	14P2822	TANK, WATER METHANOL, STARBOARD, GROUP				1	—	A	91/128
		Spares for:—							
3794	20P2499	Bolt , hex. hd, 2 BA, nut ring	16	S1	C	91/129
3795	5P2751	Cap , filler	1	—	C	91/130
3796	23P2666	Washer , joint at filler cap	1	Neoprene	C	91/131
2778	29P2822	Washer , sealing sump	2	DTD560	C	91/132



TANKS (2)
FUEL AND WATER METHANOL

PLATE NO. 1
ISSUE NO. 1





TANKS (3)
FUEL DROP TANK AND WATER TANK

FROM STAFF
1.04 30221

SECRET
SECRET

SECRET
SECRET

SECRET
SECRET

SECRET
SECRET



TANKS
OIL

Ref. No.	Part No.	Description				No. off	Matl. Spec.	Cl. of St.	Plate and Illust'n No.
		1	2	3	4			M.R.	
		TANK ASSEMBLIES, OIL							
		Consisting of:—							
4012	13P2718	TANK, OIL, INBOARD ENGINE WITH PROTECTIVE COVERING, PORT, GROUP				1	—	A	93/133
4013	14P2718	TANK, OIL, INBOARD ENGINE WITH PROTECTIVE COVERING, STARBOARD, GROUP				1	—	A	93/134
		Spares for:—							
2671	20P2658	Dipstick, oil tanks				1	—	A	93/135
	—	TANK, OIL LESS COVERING, PORT (1P2863)					—		
	—	TANK, OIL LESS COVERING, STARBOARD (2P2863)					—		
		Spares for:—							
2857	4P2663	Gasket, sealing hot pot and feathering well				1	Langite	C	93/136
	—	HOT-POT AND FEATHERING WELL, PORT (1P2874)					—		
		HOT-POT AND FEATHERING WELL, STARBOARD (2P2874)							
		Spares for:—							
849	Vickers A494	Cock, drain 1"				1	—	A	93/137
3798	7P2657	Elbow, oil return				1	DTD424	C	93/138
3797	12P2657	Elbow, oil feathering				1	L33	C	93/139
5037	1P3080	FILTER, OIL, GROUP				1	—	A	93/140
		Consisting of:—							
2928	5P2418	Bar, locking				1	Bronze	C	93/141
2785	8P2418	Bush, top				1	L1	C	93/142
	5P3507	CASE, FILTER, GROUP				1	—		
3897	42P2418	Chain				1	Brass	C	93/143
3303	14P2418	Nut, locking				2	L1	C	93/144
13440	4P2418	Nut, sliding				1	L1	C	93/145
28N/5679	AGS607/C	Plate, swivel				1	—	C	93/146
2786	9P2418	Plug, drain				1	L1	C	93/147
3799	20P2418	Plug, top				1	L1	C	93/148
2784	12P2418	Ring, locking				1	L1	C	93/149
3896	41P2418	Ring				1	Brass	C	93/150
13441	7P2418	Sleeve, valve				1	L1	C	93/151
13333	4F3949	Spring				1	Spring Steel	C	93/152
13459	3P2418	SPINDLE, GROUP				1	—	C	93/153
3292	11P2418	Stop, spindle				1	L1	C	93/154

TANKS

OIL

Ref. No.	Part No.	Description				No. off	Matl. Spec.	Cl. of	Plate and Illust'n No.
		1	2	3	4			St. M.R.	
		FILTER, OIL, GROUP (1P3080) (Cont'd)							
13567	1P3081	STRAINER, OIL, GROUP ...				1	—	C	93/155
3901	3P3508	TUBE, DRAIN AND VENT, GROUP				1	—	C	93/156
26EA/19797	19P2418	Valve, cut-out				1	L1 or L40	C	93/157
2926	10P2418	Washer, locking				1	S3	C	93/158
13185	8P1926	Washer, packing				1	—	C	93/159
2735	15P2418	Washer				1	Half-prene	C	93/160
13442	16P2418	Washer				1	Hallite	C	93/161
2927	17P2418	Washer				1	Hallite	C	93/162
	8P3508	Wire, locking				QR	—		
2788	8P3502	Plate, locking elbow				3	S3	C	93/163
13113	A/SS3348	Ring, resilient				2	—	C	
2850	11P2657	Ring, retaining drain cock				2	L1 or L40	C	93/164
3293	8P2657	Ring, retaining elbow				1	L1 or L40	C	93/165
3800	9P1890	Screw, set, for hot-pot				6	—	C	
	3P2874	Strut, support for hot-pot				1	T9		93/166
	AS2560	Valve, drain				1	—		93/167
13289	9P1933	Washer, sealing filter				1	Langite	C	93/168
2787	4P3502	Washer, sealing elbow				1	Langite	C	93/169
4014	1P2882	TANK, OIL WITH PROTECTIVE COVERING OUTBOARD ENGINE, PORT, GROUP				1	—	A	93/170
4015	2P2882	TANK, OIL WITH PROTECTIVE COVERING OUTBOARD ENGINE, STARBOARD, GROUP				1	—	A	93/171
	—	Spares for:— TANK, OIL LESS COVERING, PORT, (1P2876)					—		
	—	TANK, OIL LESS COVERING, STARBOARD (2P2876)					—		
		Spares for:—							
3794	20P2499	Bolt, hex. hd, 2 BA for flanges				6	S1	C	93/172
3802	11P3502	Bolt, hex. hd, 2 BA for elbow				6	—	C	93/173
	Vickers D739	Cock, drain, feathering well				1	—		93/174
	AS2560	Cock, drain, sump				1	—		93/167
	27P2499	Elbow, feathering pump connection				1	—		93/175
5037	1P3080	FILTER, OIL, GROUP... .. (Vent and drain tube to be cut to required length)				1	—	A	93/140
		Consisting of:—							
2928	5P2418	Bar, locking				1	—	C	93/141
2785	8P2418	Bush, top				1	L1	C	93/142

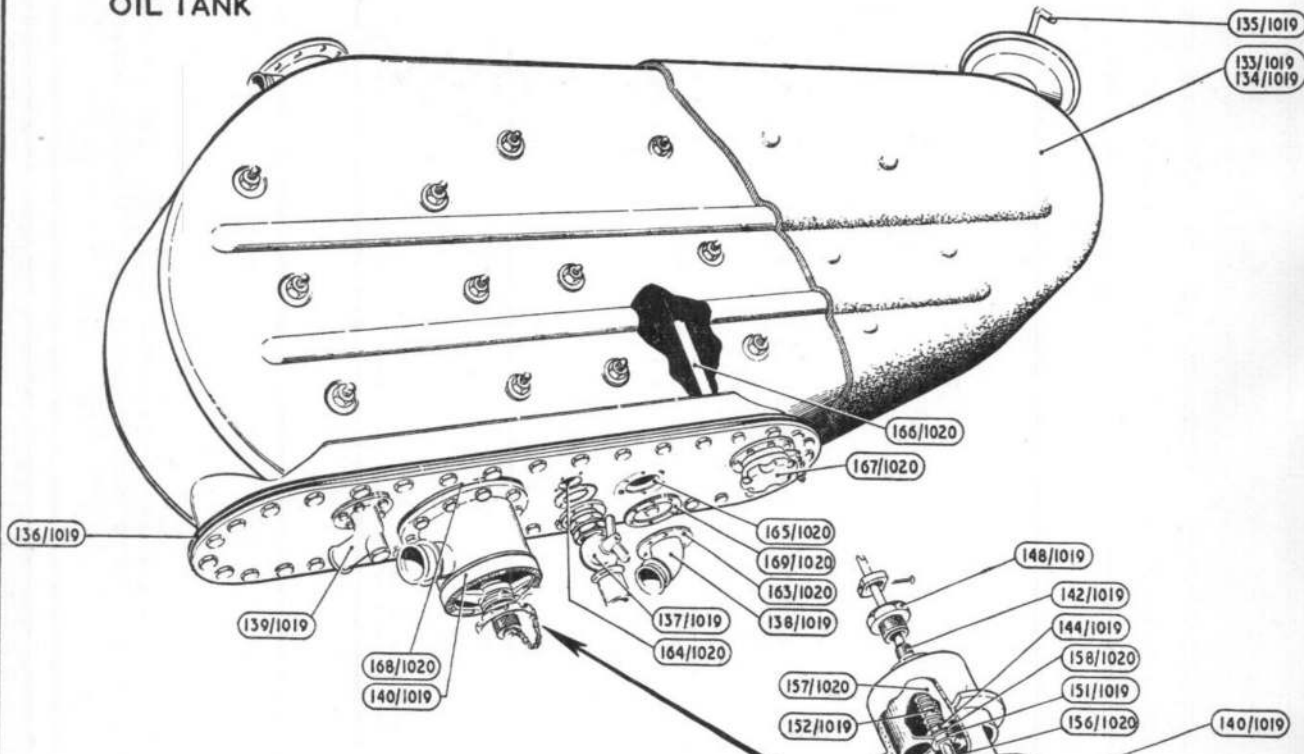
SHACKLETON Mk. 2

TANKS

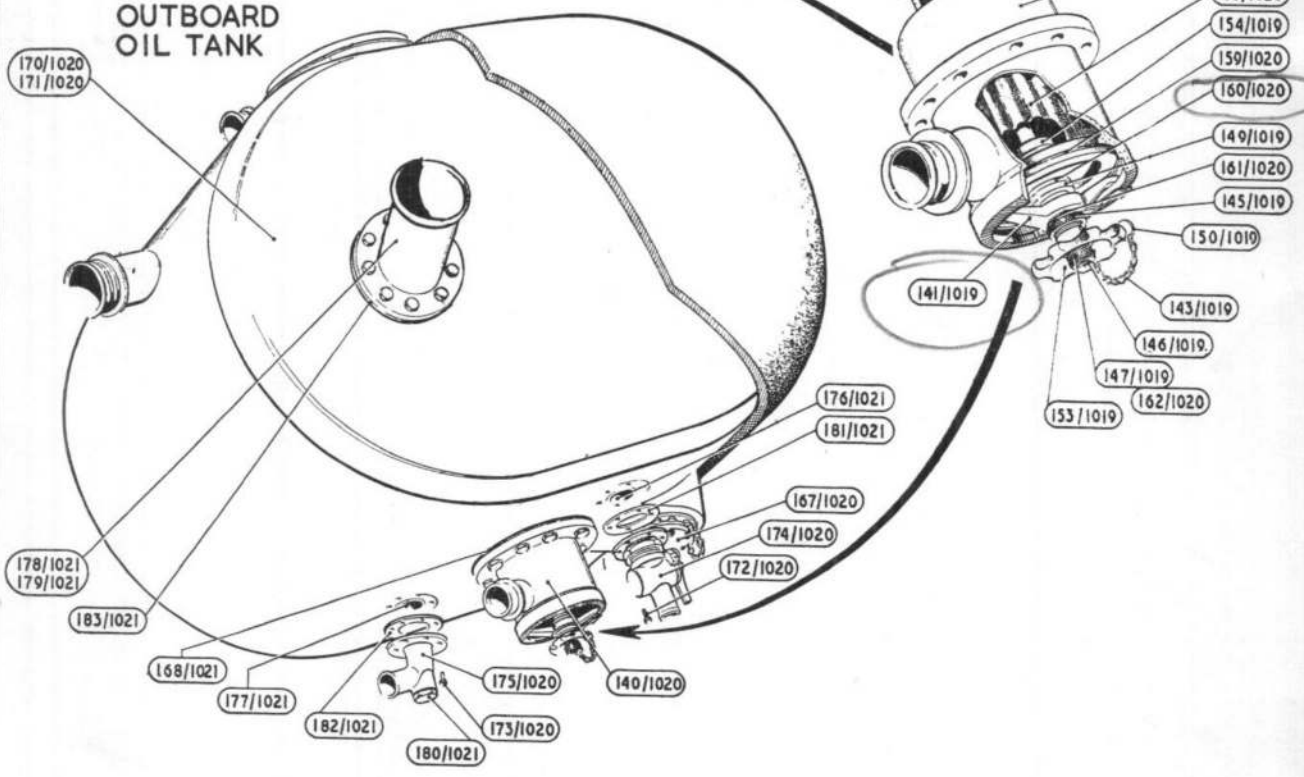
OIL

Ref. No.	Part No.	Description				No. off	Matl. Spec.	Cl. of St.	Plate and Illust'n No.
		1	2	3	4			M.R.	
		FILTER, OIL, GROUP (1P3080) (Cont'd)							
4725	5P3507	CASE, FILTER, GROUP				1	—	C	
3897	42P2418	Chain				1	Brass	C	93/143
13440	4P2418	Nut, sliding				1	L1	C	93/145
3303	14P2418	Nut, locking				2	L1	C	93/144
28N/5679	AGS607/C	Plate, swivel				1	—	C	93/146
2786	9P2418	Plug, drain				1	L1	C	93/147
3799	20P2418	Plug, top				1	L1	C	93/148
2784	12P2418	Ring, locking				1	L1	C	93/149
3896	41P2418	Ring, $\frac{3}{8}$ " dia.				1	Brass	C	93/150
13441	7P2418	Sleeve, valve				1	L1	C	93/151
13333	4F3949	Spring				1	—	C	93/152
13439	3P2418	SPINDLE, GROUP				1	—	C	93/153
3292	11P2418	Stop, spindle				1	L1	C	93/154
13567	1P3081	STRAINER, OIL, GROUP ...				1	—	C	93/155
3901	3P3508	TUBE, DRAIN AND VENT, GROUP				1	—	C	93/156
26EA/19797	19P2418	Valve, cut-out				1	—	C	93/157
2926	10P2418	Washer, locking				1	S3	C	93/158
2735	15P2418	Washer				1	Halfprene	C	93/160
13442	16P2418	Washer				1	Hallite	C	93/161
2927	17P2418	Washer				1	Hallite	C	93/162
13185	8P1926	Washer				1	—	C	93/159
	5P3508	Wire, locking				QR	—		
7819	18P2499	Flange, female, for drain cock feathering well				1	L34	C	93/176
7926	22P2499	Flange, elbow				1	L34	C	93/177
5602	31P2499	Neck, filler, port				1	T9 & L16	C	93/178
	32P2499	Neck, filler, starboard				1	T9 & L16	C	93/179
28Q/10847	AGS566/D	Plug, elbow				1	—	C	93/180
2860	SS1805/H	Washer, drain cock				1	Langite	C	93/181
13289	9P1933	Washer, filter to tank				1	Langite	C	93/168
2858	10P3502	Washer, elbow to tank				1	Langite	C	93/182
13130	10P1888	Washer, filler neck				1	Langite	C	93/183

INBOARD
OIL TANK



OUTBOARD
OIL TANK



TANKS (4)
OIL TANKS



ORANGE
PLATE NO. 1

SHACKLETON Mk. 2

TANKS

WATER

Ref. No.	Part No.	Description				No. off	Matl. Spec.	Cl. of	Plate and Illust'n No.
		1	2	3	4			St. M.R.	
679	3Z5476	TANK, WATER (10 GALL.) IN CENTRE PORTION, FUSELAGE, GROUP (Pre Mod. 638)				1	—	A	92/185
		Spares for:—							
3803	51Q1271	Adaptor, swivel pipe				1	B11	C	92/186
3804	3pZ5476	Bolt, hex. hd, 2 BA for cover plate				12	S1	C	92/187
2160	26P1699	Bolt, hex. hd, spigot to tank... ..				12	S2 or S11	C	92/188
13223	19Z1205	Cap, filler				1	L1	C	92/189
13224	27Z1205	Chain, retaining cap				1	—	C	92/190
3805	53Q1271	Collar, swivel pipe				1	B11	C	92/191
3806	52Q1271	Nut, swivel pipe				1	B11	C	92/192
3807	10Z2256	Neck, filler, short				1	L1	C	92/193
3808	3qZ5476	Neck, filler, long				1	L33	C	92/194
3809	3nZ5476	Pipe, swivel				1	—	C	92/195
13272	9P1888	Plate, cover tank end				1	L72	C	92/196
3810	36Z5476	Spigot				1	BSS249	C	95/197
3294	3mZ5476	Tap, valve, cold water				1	—	C	92/198
3811	3kZ5476	Washer, sealing spigot				2	Langite	C	92/199
3812	55Q1271	Washer, sealing collar				1	—	C	92/200
13571	11Z2256	Washer, sealing filler cap				2	Langite	C	92/201
13574	16Q1023	Washer, sealing				1	Langite	C	92/202
3813	8Q1256	Washer, jointing, coverplate				2	Langite	C	92/203
7947	12Z9299	TANK, WATER (10 GALL.) IN CENTRE PORTION, FUSELAGE, GROUP (Mod. 771)				1	—	A	
		Spares for:—							
3803	51Q1271	Adaptor, swivel pipe				1	B11	C	
	10Z9299	Bolt, hex. hd, spigot, for tank, .65" long				6	L65		
	11Z9299	Bolt, hex. hd, 2 BA, spigot, for tank, .75" long				6	L65		
3804	3pZ5476	Bolt, hex. hd, 2 BA, for cover plate				12	S1	C	
3442	3tZ5476	Bolt, hex. hd, 2 BA, for cover plate				24	S1	C	
13223	19Z1205	Cap, filler				1	L1	C	
13224	27Z1205	Chain, retaining cap				1	—	C	
3805	53Q1271	Collar, swivel pipe				1	B11	C	
3441	3wZ5476	Disc, reflector, for window				2	L72	C	
3806	52Q1271	Nut, swivel pipe				1	B11	C	
3807	10Z2256	Neck, filler, short				1	L1	C	
3808	3qZ5476	Neck, filler, long				1	L33	C	
3809	3nZ5476	Pipe, swivel				1	—	C	
13272	9P1888	Plate, cover, track				1	L72	C	
3443	3uZ5476	Plate, cover				2	L33-DTD275	C	
3444	6Q1256	Ring, inner				3	L33	C	
	7Z9299	Ring, inner				1	L65-L61		
	8Z9299	Ring, inner				1	L65-L61		
3810	31Z5476	Spigot				1	BSS249	C	
3294	3mZ5476	Tap, valve, cold water				1	—	C	
3811	3kZ5476	Washer, sealing, spigot				2	Langite	C	
3812	55Q1271	Washer, sealing, collar				1	—	C	
13571	11Z2256	Washer, sealing, filler cap				2	Langite	C	
13574	16Q1023	Washer, sealing				1	Langite	C	
3813	8Q1256	Washer, jointing, coverplate				5	Langite	C	
3440	3vZ5476	Window, inspection				2	BSS339	C	

This file was downloaded
from the RTFM Library.

Link: www.scottbouch.com/rtfm

Please see site for usage terms,
and more aircraft documents.

