

EQUIPMENT (AIRCRAFT)
BLACKOUT CURTAINS AND SUNBLINDS

Ref. No.	Part No.	Description				No. off	Matl. Spec.	Cl. of St.	Plate and Illust'n No.
		1	2	3	4			M.R.	
		CURTAINS, BLACKOUT AND SUNBLINDS ASSEMBLIES							
		Consisting of :—							
		BLACKOUT FOR ASTRO-DOME IN FUSELAGE FRONT CENTRE PORTION (1Z6188 Pre. Mod. 528) (Z8283 Mod. 528)							
		Consisting of :—							
3373	4Z6188	Bracket, for curtain wire				4	L40 or DTD363A	C	18/1
2658	3Z6188	CURTAIN, BLACKOUT, GROUP (Pre-Mod. 528)				1	—	C	18/2
5217	2Z8283	CURTAIN, BLACKOUT, GROUP (Mod. 528)				1	—	C	18/2
		Consisting of :—							
29G/4135	CARRS LTD. No. 670 3aZ6188	Button				8	—	C	
		Curtain, (Colour 1006, grain 232 I.C.I. Vynide 39" x 27") (Pre. Mod. 528)				1	V8	C	
	2aZ8283	Curtain, 39" x 27" (PVC Glass coated fabric (Y119A) (Mod. 528)				1	—	C	
29G/4174	CARRS LTD. No. 550A 3cZ6188	Eyelet				2	—	C	
		Ring, $\frac{5}{16}$ " i/d approx.				18	Brass	C	
29G/4138 3762	CARRS LTD. No. 548 3dZ6188	Socket				8	—	C	
		Strap, $\frac{1}{16}$ " x 1" x $6\frac{1}{2}$ "				2	Leather	C	18/119
29G/4173	CARRS LTD. No. 550 3bZ6188	Stud				2	—	C	
		Tape, $\frac{1}{2}$ " x 3' 0" long				1	—	C	
372	2Z6188	WIRE, CURTAIN, GROUP				2	—	C	18/3
	1Z8290	CURTAIN, BLACKOUT, F/E SIDE WINDOW, GROUP				1	—	C	
		CURTAIN, BLACKOUT, BETWEEN FLIGHT ENGINEER'S AND WIRELESS OPERATOR'S STATION, FRONT CENTRE PORTION (5Z8289)							
		Spares for :—							
1564	T. FRENCH & SONS BL2X	Bracket, fixing curtain				2	—	C	18/4
7875	6Z8289	CURTAIN, BLACKOUT, GROUP ...				1	—	C	18/5
		Consisting of :—							
	6aZ8289 T. FRENCH & SONS	Curtain (PVC coated black fabric) ...				1	—	C	
1567	GR3 CARRS LTD.	Hook				8	—	C	18/6
29G/2096	No. 708A	Plate, clinch				10	—	C	18/7

EQUIPMENT (AIRCRAFT)
BLACKOUT CURTAINS AND SUNBLINDS

Ref. No.	Part No.	Description	No. off	Matl. Spec.	Cl. of	Plate and Illust'n No.	
					St. M.R.		
		1	2	3	4		
		CURTAIN, BLACKOUT, BETWEEN FLIGHT ENGINEER'S AND WIRELESS OPERATOR'S STATION (Z8289) (Cont'd)					
29G/4211	CARRS LTD. No. 609	Socket	2	—	C	18/8	
29G/2098 3368	CARRS LTD. No. 608	Socket	8	—	C	18/9	
	13Z5650	Strap, 1" x $\frac{1}{16}$ " x 8 $\frac{3}{4}$ " long (khaki webbing)	2	—	C	18/120	
	T. FRENCH & SONS	Tape, Rufflette, " Giraffe " 25" approx. ...	1	—			
3377	8Z5650	PLATE, BLACKOUT, TOP, PORT, GROUP	1	—	C	18/10	
	T. FRENCH & SONS B.L.R.	Rail, curtain 22.75" long (To be obtained by Casual Purchase)	1	—			
10346	T. FRENCH & SONS BL4	Runners	8	—	C		
	T. FRENCH & SONS BL5	Stop, end	2	—			
29G/2172	CARRS LTD. No. 248	Stud	10	—	C	18/12	
	1Z8295	CURTAIN, BLACKOUT, W/T. OPS SIDE WINDOW, GROUP	1	—			
		CURTAIN, BLACKOUT AT FORMER No. 2 IN FUSELAGE ON FRONT CENTRE PORTION (Z6431 Pre.Mod. 528) (Z8291 Mod. 528) Spares for :—					
1564	T. FRENCH & SONS BL/2X	Bracket, fixing curtain	4	—	C	18/4	
2541	2Z6431	CURTAIN, BLACKOUT, STATIONARY PORTION, GROUP (Pre.Mod. 528)	1	—	C	18/13	
5226	2Z8291	CURTAIN, BLACKOUT, STATIONARY PORTION, GROUP (Mod. 528) Consisting of :—	1	—	C	18/13	
	2aZ6431	Cloth, 24" x 80" (fireproof material) ...	1	D1776			
	2a28291	Cloth, PVC coated black fabric (Mod. 528)	1	—			
	CARRS LTD. B7050	Fastener, complete	3	—			
29G/4135	CARRS LTD. No. 670	Fastener, durable	6	—	C		
29G/2164	CARRS LTD. No. 295A	Plate, clinch	1	—	C		
29G2096	CARRS LTD. No. 708A	Plate, clinch	1	—	C		
	9Z6431	Protector (black chrome leather 5 $\frac{1}{2}$ " x 4 $\frac{1}{2}$ ")	2	—			

EQUIPMENT (AIRCRAFT)
BLACKOUT CURTAINS AND SUNBLINDS

Ref. No.	Part No.	Description				No. off	Matl. Spec.	Cl. of St.	Plate and Illust'n No.
		1	2	3	4			M.R.	
		CURTAIN, BLACKOUT AT WIRELESS OPERATOR'S SIDE WINDOW IN FUSELAGE FRONT CENTRE PORTION (1Z5895 PRE-MOD. 528) (Z8295 MOD. 528)							
2659	2Z5895	Spares for :— CURTAIN, BLACKOUT, GROUP, (PRE-Mod. 528)				1	—	C	18/16
5231	2Z8295	CURTAIN, BLACKOUT, GROUP (Mod. 528)				1	—	C	18/16
	5Z5895	Consisting of :— Curtain (Colour 1006, Grain 232 Vynide ICI 28" x 28") (Pre-Mod. 528)				1	V8		
	7Z5895	Gusset (Colour 1006, Grain 232 Vynide ICI 12" x 6") (Pre-Mod. 528)				1	—		
	2aZ8295	Curtain, PVC glass coated fabric (Mod. 528)				1	—		
29G/2096	Carrs Ltd. No. 708A	Plate, clinch				6	—	C	
29G/2098	Carrs Ltd. No. 608	Socket				3	—	C	
	Carrs Ltd. No. 609	Socket				3	—		
	6Z5895	Strap (Black leather $\frac{3}{32}$ " x 20" x $1\frac{1}{2}$ ") ...				3	—		
29G/4074	Carrs Ltd. No. 680	Stud				3	—	C	18/17
		CURTAIN AND FITTINGS, RADAR OPERATOR'S STATION IN FUSELAGE CENTRE PORTION (Z6212 PRE-MOD. 528) (Z8293 Mod. 528)							
2545	10Z6212	Spares CURTAIN BETWEEN FORMERS 9-10 GROUP (PRE-Mod. 528)				1	—	C	18/18
5229	2Z8293	CURTAIN, BETWEEN FORMERS 9-10 GROUP (Mod. 528)				1	—	C	18/18
		Consisting of :—							
29G/4171	Carrs Ltd. No. 671 11Z6212	Button				1	—		
		Cloth, blackout 6' x 4' 6" approx. (Pre-Mod. 528)				1	D1776	C	
	2aZ8293	Cloth, PVC glass coated fabric (Mod. 528)				1	—		
	T. French & Sons Art No. R7	Hook, (To be obtained by Casual Purchase)				15	—		
29G/2096	Carrs Ltd. No. 708A	Plate, clinch				7	—	C	
29G/2098	Carrs Ltd. No. 608	Socket				7	—	C	
	Carrs Ltd. No. 548	Socket				1	—		
	14Z6212	Strip, leather $\frac{1}{8}$" x $1\frac{1}{4}$" x 4"				1	—		
	12cZ6212	Tab, leather $\frac{1}{8}$" x 1" x 3"				7	—		
	13Z6212	Tape, rufflette				QR	—		

EQUIPMENT (AIRCRAFT)

BLACKOUT CURTAINS AND SUNBLINDS

Ref. No.	Part No.	Description				No. off	Matl. Spec.	Cl. of St.	Plate and Illust'n No.
		1	2	3	4			M.R.	
		CURTAINS AND FITTINGS, RADAR OPERATORS STATION IN FUSELAGE CENTRE PORTION (Z6212 & Z8293) (Cont'd)							
		CURTAIN, BETWEEN FORMERS 8-9, (Z6349 Pre-Mod. 528) (Z8286 Mod. 528) Spares for :—							
4884	11Z6349	CURTAIN, BLACKOUT, GROUP (Pre-Mod. 528)				1	—	C	18/19
5220	2Z8286	CURTAIN, BLACKOUT, GROUP (Mod. 528)				1	—	C	18/19
4885	12Z6349	CURTAIN, BLACKOUT, GROUP, (Pre-Mod. 528)				1	—	C	18/19
5221	3Z8286	CURTAIN, BLACKOUT, GROUP (Mod. 528)				1	—	C	18/19
3380	5Z6212	PELMET, GROUP				1	—	C	18/20
	T. French & Sons Code ALR	Rail, curtain, 3' 8½" long approx. (To be obtained by Casual Purchase)				1	—		
	T. French & Sons ART. No. BL4	Runner (To be obtained by Casual Purchase)				15	—		
	T. French & Sons A.R.T. No. SL5	Stop, end (To be obtained by Casual Purchase)				3	—		
		CURTAIN, BLACKOUT, AT FORMER No. 8 IN FUSELAGE CENTRE PORTION (Z6436 Pre-Mod. 58) (Z8287 Mod. 528) Spares for :—							
1564	T. French & Sons BL/2X	Bracket, fixing curtains				3	—	C	18/4
2543	2Z6436	CURTAIN, BLACKOUT, GROUP (Pre-Mod. 528)				1	—	C	
5222	2Z8287	CURTAIN, BLACKOUT, GROUP (Mod. 528)				1	—	C	
		Consisting of :—							
29G/4135	Carrs Ltd. No. 670	Button "Dot" fastener				10	—	C	
	2aZ6436	Cloth, blackout 3' 8" x 6' 4" (Pre-Mod. 528)				1	D1776		
	2aZ8287	Cloth, PVC Class coated fabric				1	—		
1567	T. French & Sons G.R.3	Hook				8	—	C	18/6
29G/2096	Carrs Ltd. No. 708A	Plate, clinch				3	—	C	18/7
29G/4211	Carrs Ltd. No. 609	Socket				3	—	C	18/8
29G/4136	Carrs Ltd. No. 548	Socket				10	—	C	
	2cZ6436	Strap, 1" x 1/8" black leather 3-75" long				1	—		
	3bZ6436	Strap, 1" x 1/8" black leather 8-75" long				2	—		
	T. French & Sons 2bZ6436	Tape "Rufflette" Giraffe 24" long ...				1	—		
	T. French & Sons B.L.R.	Rail, 24" long				1	—		
	T. French & Sons B.L.4	Runner				8	—		
	T. French & Sons B.L.5	Stop, end				2	—		

EQUIPMENT (AIRCRAFT)
BLACKOUT CURTAINS AND SUNBLINDS

Ref. No.	Part No.	Description				No. off	Matl. Spec.	Cl. of St.	Plate and Illust'n No.
		1	2	3	4			M.R.	
4949	1Z7226	CURTAIN, BLACKOUT, EMERGENCY EXIT IN FUSELAGE CENTRE PORTION, PORT & STARBOARD (Pre-Mod. 528)				1	—	C	18/21
5233	1Z8406	CURTAIN, BLACKOUT, EMERGENCY EXIT IN FUSELAGE CENTRE PORTION, PORT & STARBOARD (Mod. 528)				1	—	C	18/21
		Spares for :—							
29G/4171	Carr Fastener Co. No. 671 2aZ7226	Button	3	—	C	
		Curtain, colour 1006, grain 232 (I.C.I. Vynide 21½" x 14¼") (Pre-Mod. 528)	1	V8	C	
5188	2aZ8406 2bZ7226 Carr Fastener Co.	Curtain, PVC glass coated fabric (Mod. 528)	1	—	C	
		Fastener, zip, 19" long	2	—	C	
29G/4136	No. 548	Socket	3	—	C	
	5Z7226	STRAP, GROUP	1	—	C	17/22
5230	1Z8294	CURTAIN, BLACKOUT FOR WINDOW BETWEEN FORMERS 18 & 19 & FORMERS 4 & 5 STARBOARD GROUP (Mod. 528)				2	—	C	18/22
2390	Z6144	CURTAIN, BLACKOUT FOR WINDOW BETWEEN FORMERS 18 & 19 & FORMERS 4 & 5 STARBOARD, GRP. (Pre-Mod. 528)				2	—		
		Consisting of :—							
29G14135	Carrs Ltd. No. 670 2Z6144	Button	1	—	C	
		Curtain, colour 1006, grain 232 (ICI Vynide 16" x 14") (Pre-Mod. 528)	1	V8	C	
	2aZ8294 Carrs Ltd.	Curtain, PVC coated glass fabric (Mod. 528)	1	—	C	
29G/4174	No. 550A Carrs Ltd.	Eyelet	2	—	C	
29G/4136	No. 548	Socket	6	—	C	
	5Z6144	Strap, stowage...	2	—		
	3Z5681 Carrs Ltd. No. 550	Strip, 14½" x 5/8" x 16G	2	DTD610		
		Stud	2	—		
1521	1Z6254	CURTAIN, BLACKOUT FOR WINDOW BETWEEN FORMERS 39 & 40 IN FUSELAGE REAR PORTION (Pre-Mod. 528)				1	—	C	18/23
5219	1Z8285	CURTAIN, BLACKOUT FOR WINDOW BETWEEN FORMERS 39 & 40 IN FUSELAGE REAR PORTION (Mod. 528)				1	—	C	18/23
		Consisting of :—							
28D/11540 2394	AS1246/2B 2Z6254	Bolt, rd.hd, 4 BA x 55" long	2	—	C	
		Curtain, colour 1006, grain 232 (ICI Vynide 12½" x 10") (Pre-Mod. 528)	1	V8	C	18/23
	2aZ8285	Curtain, PVC coated glass fabric	1	—	C	
28M/10287	AGS2001/B/1	Nut, stiff, 4 BA	2	—	C	
	5Z6254	STRAP, STOWAGE, GROUP	2	—		18/24
3382	3Z6254	TAB, LIFTING, GROUP	2	—	C	18/25
28W/9419465	SP13/B	Washer, 4 BA	2	—	C	

EQUIPMENT (AIRCRAFT)

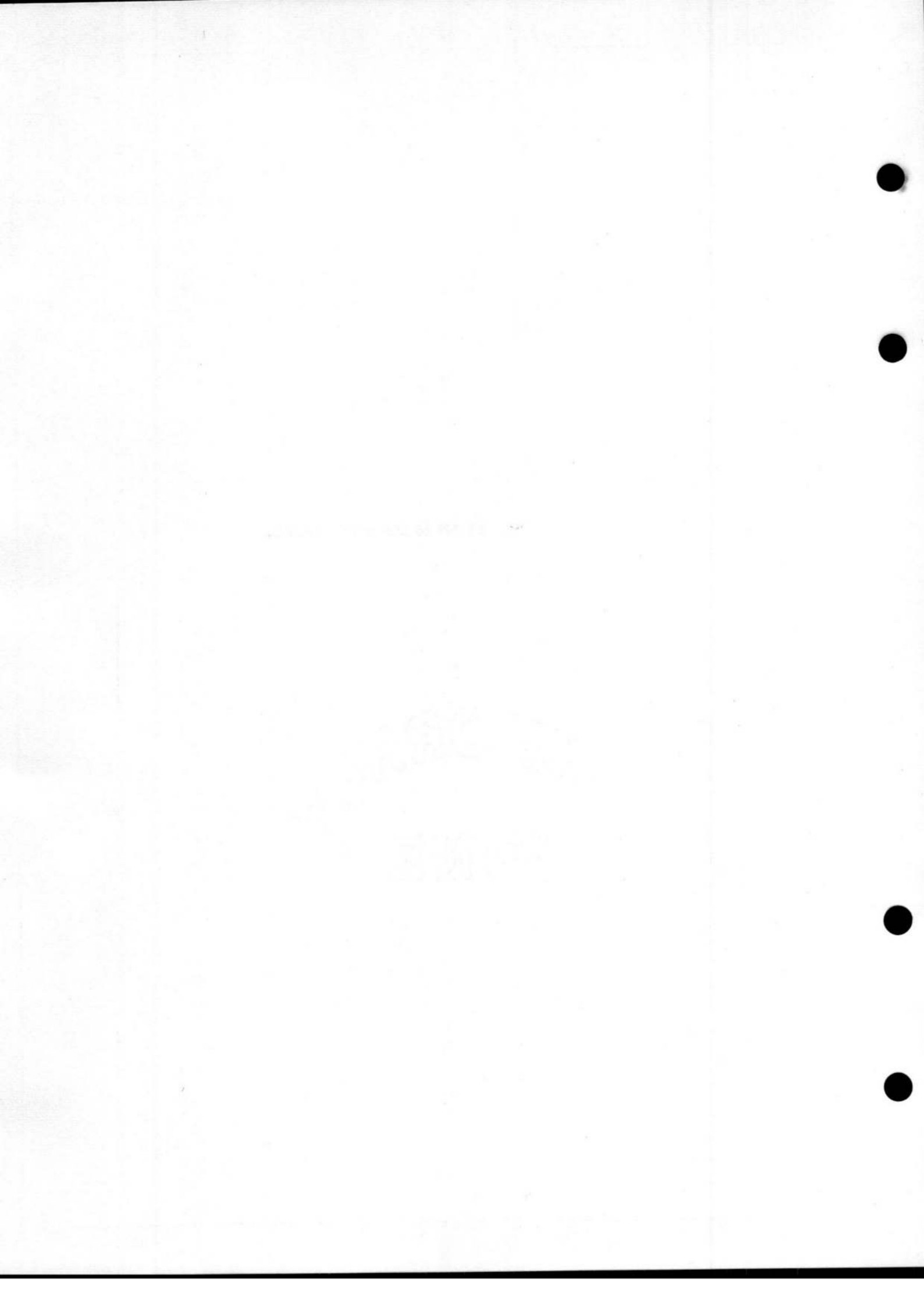
BLACKOUT CURTAINS AND SUNBLINDS

Ref. No.	Part No.	Description				No. off	Matl. Spec.	Cl. of St.	Plate and Illust'n No.
		1	2	3	4			M.R.	
4962	1Z6859	CURTAIN, BLACKOUT AT REAR OBSERVERS STATION AT FORMER 48 IN FUSELAGE REAR PORTION, GROUP (Pre.Mod. 528)				1	—	C	18/26
5223	1Z8288	CURTAIN, BLACKOUT AT REAR OBSERVERS STATION AT FORMER 48 IN FUSELAGE REAR PORTION, GROUP (Mod. 528)				1	—	C	18/26
		SUNBLIND, CENTRE, IN FUSELAGE FRONT CENTRE PORTION (Z9768)				1	—		
7943	2Z9768	Spares for :— RUNNER, SUNBLIND, GROUP ...				2	—	C	18/27
	2aZ9768	Consisting of :— Wire, " taut " spiral $\frac{1}{8}$ " dia x 18" approx.				4	—		18/28
	2bZ5653	Hook, for wire				8	—		
14220	1Z9767	SUNBLIND, PORT, GROUP				1	—	B	18/30
14221	2Z9767	SUNBLIND, STARBOARD, GROUP				1	—	B	18/31
	3Z9767	Consisting of :— Blind, glass fabric, port				1	DTD5519		
	4Z9767	Blind, glass fabric, starboard				1	DTD5519		
29G/2096	CARRS LTD. No. 708A	Plate, clinch				5	—	C	
	4Z5654	Ring, split				12	Brass		
29G/2098	CARRS LTD. No. 608	Socket				5	—	C	
3369	3Z5654	STRAP, GROUP				1	—	C	18/122
	3Z6870	TAB, SECURING, GROUP				1	—		
	5Z9767	Tape, white $\frac{1}{2}$ " wide 19 $\frac{1}{2}$ " long				2	—		

EQUIPMENT (AIRCRAFT)
BLACKOUT CURTAINS AND SUNBLINDS

Ref. No.	Part No.	Description				No. off	Matl. Spec.	Cl. of St.	Plate and Illust'n No.
		1	2	3	4			M.R.	
		SUNBLIND, PILOT'S ESCAPE HATCH IN FUSELAGE FRONT CENTRE PORTION, PORT & STARBOARD GROUP (1Z5655) (Pre.Mod. 663) (4Z5655) (Mod. 663)							
	2Z5655	Spares for :— RUNNER, SUNBLIND, GROUP ...				4	—		18/27
	2aZ5655	Consisting of :— Wire, "taut" spiral $\frac{1}{8}$" dia x 18" approx.				4	—		
	2bZ5655	Hook, for wire				8	—		
2661	1Z5656	SUNBLIND, GROUP (Pre.Mod. 663)				2	—	C	18/90
6801	6Z5656	SUNBLIND, GROUP (Mod. 633) ...				2	—	C	18/90
	2Z5656	Consisting of :— Blind, green poplin (Pre.Mod. 663) ...				1	—		
	7Z5656	Blind, glass fabric (Mod. 663) ...				1	DTD790/797A		
29G/2096	CARRS LTD. No. 708A BIRTWISTLE CO.	Plate, clinch				8	—	C	
	Ref.D1800	Pocket (green poplin 22" x 1") ...				4	—		
	4Z5654	Ring, split				32	Brass		
29G/2098	CARRS LTD. No. 608	Socket				8	—	C	
3369	3Z5654	STRAP, GROUP				2	—	C	18/122
	5Z5656	Strip, stiffening ($\frac{1}{2}$" x 22" x 22G) ...				4	L72		
	3Z5656	Tape, white ($\frac{1}{2}$" wide x 10" long) ...				4	—		
		SUNBLIND, IN FUSELAGE REAR SECTION TAIL AT PHOTOGRAPHER POSITION, GROUP (1Z6608) (Pre.Mod. 663) (6Z6608) (Mod. 663)							
		Spares for :—							
4518	4Z6608	BRACKET, SADDLE, GROUP				5	—	C	18/33
	5Z6608	Bracket				3	L1 or L40		18/32
4517	3Z6608	Runner, spiral sprints c/u hooks ...				3	—	C	18/34
4516	2Z6608	SUNBLIND, GROUP (Pre.Mod. 663)				1	—	C	18/35
6803	7Z6608	SUNBLIND, GROUP (Mod. 663) ...				1	—	C	18/35
		Consisting of :—							
	2aZ6608	Blind, green poplin				1	—		
	7aZ6608	Blind, glass fabric				1	—		
		Blind				1	—		
29G/2096	CARRS LTD. No. 708A	Plate, clinch "lift the dot"				10	—	C	
	4Z5654	Ring, split (brass $\frac{5}{16}$" i/d)				27	—		
29G/2098	CARRS LTD. No. 608	Socket, "lift the dot"				10	—	C	
3369	3Z5654	STRAP, GROUP				2	—	C	18/122
	2bZ6608	Tape, white $\frac{1}{2}$" wide x 23" long ...				3	—		
5237	2Z7269	SUNBLIND, GUNNERS IN NOSE, GRP. (Pre.Mod. 663)				1	—	C	18/36
6802	4Z7269	SUNBLIND, GUNNERS IN NOSE, GRP. (Mod. 663)				1	—	C	18/36

PAGES 249 to 252 NOT ISSUED.



SHACKLETON Mk. 2

EQUIPMENT (AIRCRAFT)

COMPASS

Ref. No.	Part No.	Description				No. off	Matl. Spec.	Cl. of St.	Plate and Illust'n No.
		1	2	3	4			M.R.	
		COMPASS INSTALLATION ASSEMBLIES, GROUP							
		Spares for :—							
		COMPASS CYRO MAGNETIC MK. 4B							
		Spares for :—							
6B/1994	—	Amplifier unit, type A, at navigator's station				1	—	A	18/37
6B/1992	—	Cyro , unit, type A, at pilot's panel ...				2	—	A	18/38
6B/1996	—	Indicator , master type A, at navigator's station				1	—	A	18/39
6B/408	—	Panel , control, type A, at pilot's canopy ...				1	—	A	18/40
6B/437	—	Tray , mounting, at navigator's station ...				1	—	A	18/41
6B/1993	—	Unit , detector, type A, in port outer main plane				1	—	A	18/42
		MOUNTING OF COMPASS IN FUSELAGE FRONT CENTRE SECTION TYPE P12 (Z4957)							
		Spares for :—							
6B/1673	—	Compass , type P12 ...				1	—	A	18/43
6B/1752	—	Corrector , No. 4 ...				1	—	A	18/44
		MOUNTING, ASTRO COMPASS AND LIGHT SOCKET IN FUSELAGE FRONT CENTRE SECTION (Z4992)							
		Spares for :—							
	2Z4992	BRACKET, AND COMPASS, GROUP				1	—		18/45
		Consisting of :—							
3902	6Z4992	BAR, COMPASS, GROUP ...				1	—	C	18/46
28M/660	AGS1581/A	Nut , OBA ...				6	Brass	C	
28S/2417	AGS244/5	Screw , OBA ...				4	Brass	C	
28S/2241	AGS244/9	Screw , OBA ...				2	Brass	C	
6B/400	—	Standard , compass, type 05 ...				1	—	A	18/47
28W/3534	AGS1583/A	Washer ...				6	—	C	
3384	3Z2310	BRACKET, FOR COMPASS BAR, GROUP				1	—	C	18/48
3385	3Z4992	BRACKET, FOR COMPASS BAR, GROUP				1	—	C	18/49
6B/399	—	Compass , Astra, Mk 2a ...				1	—	A	18/50
5C/587	—	Socket , light ...				1	—	A	
6B/400	—	Standard , compass, type 05 at camera station in rear section				1	—	A	18/47

RESTRICTED

RESTRICTED

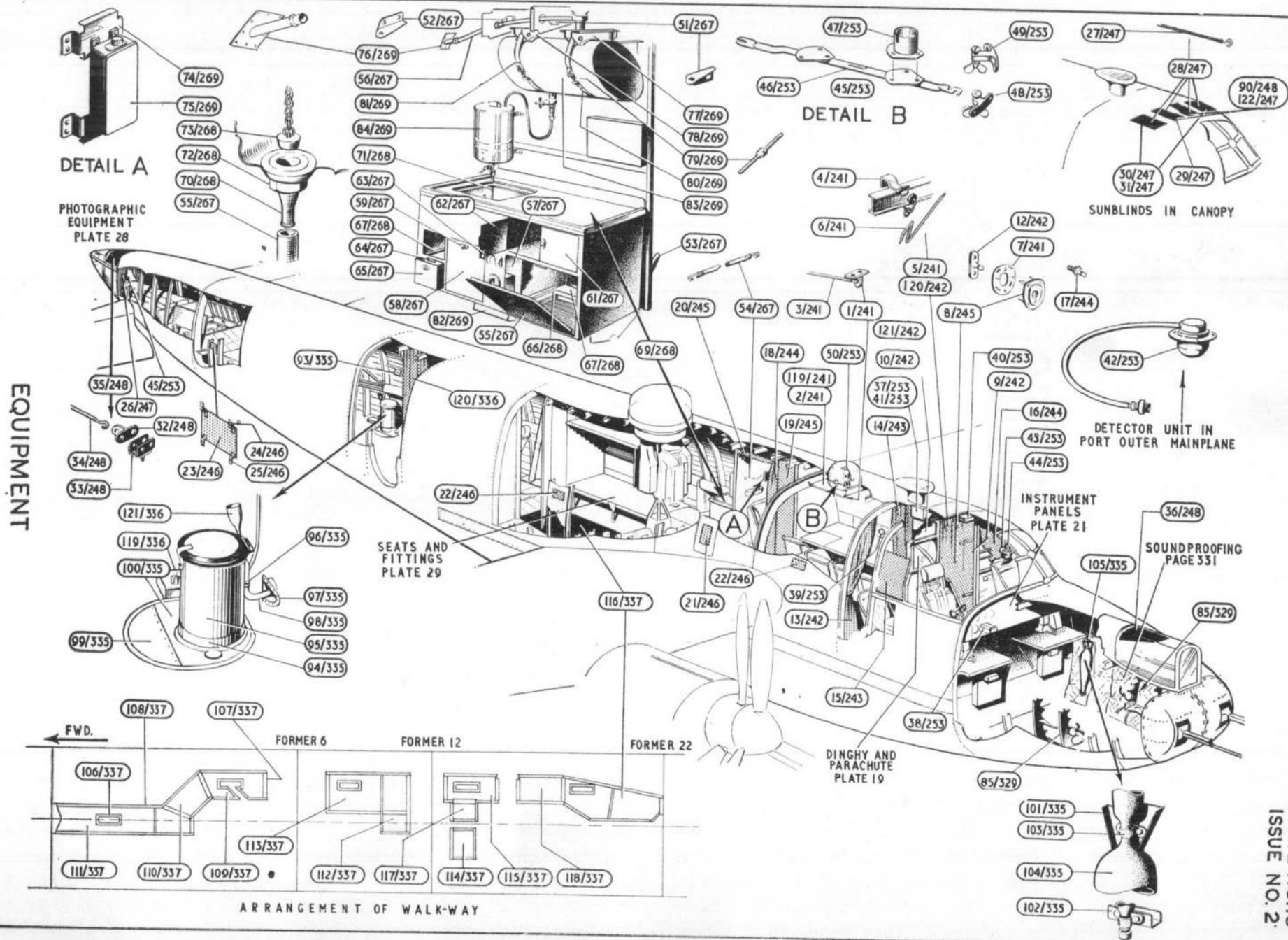


PLATE NO. 18
ISSUE NO. 2

RECYCLED

ECONIBNEM



1288E NO 3
STYLE NO 13

RECYCLED

SHACKLETON Mk 2

**EQUIPMENT (AIRCRAFT)
DINGHY AND PARACHUTE**

Page 255

Ref. No.	Part No.	Description				No. off	Matl. Spec.	Cl. of St.	Plate and Illust'n No.
		1	2	3	4			M.R.	
		DINGHY & PARACHUTE ASSEMBLIES							
		Spares for :—							
		STOWAGE, DINGHY & PARACHUTE IN NOSE, BETWEEN FORMERS F & H (Z6814)							
		Spares for :—							
3328	1Z2654	CORD, TENSION PARACHUTE STOWAGE, GROUP				6	—	C	19/1
	4Z2654	CORD, TENSION DINGHY STOWAGE, GROUP				4	—		19/2
	2Z6814	INTERCOSTAL, BETWEEN FORMERS F & G FOR PARACHUTE STOWAGE, RH, GROUP				1	—		19/3
		Spares for :—							
	2SS4039	Fastener				6	—		19/4
	3Z6814	INTERCOSTAL, BETWEEN FORMERS F & G FOR PARACHUTE STOWAGE, LH, GROUP				1	—		19/5
		Spares for :—							
	2SS4039	Fastener				6	—		19/4
	4Z6814	INTERCOSTAL, BETWEEN FORMERS F & G FOR DINGHY STOWAGE, RH, GROUP				1	—		19/6
		Spares for :—							
	2SS4039	Fastener				3	—		19/4
	5Z6814	INTERCOSTAL, BETWEEN FORMERS F & G FOR DINGHY STOWAGE, LH, GROUP				1	—		19/7
		Spares for :—							
	2SS4039	Fastener				3	—		19/4
	6Z6814	INTERCOSTAL, BETWEEN FORMERS G & H FOR PARACHUTE, STOWAGE RH, GROUP				1	—		19/8
		Spares for :—							
	2SS4039	Fastener				3	—		19/4
	7Z6814	INTERCOSTAL, BETWEEN FORMERS G & H FOR PARACHUTE STOWAGE LH, GROUP				1	—		19/9
		Spares for :—							
	2SS4039	Fastener				3	—		19/4
	8Z6814	INTERCOSTAL, BETWEEN FORMERS G & H FOR PARACHUTE STOWAGE LH, GROUP				1	—		19/10
		Spares for :—							
	2SS4039	Fastener				3	—		19/4
	9Z6814	INTERCOSTAL, BETWEEN FORMERS G & H FOR PARACHUTE STOWAGE LH, GROUP				1	—		19/11
		Spares for :—							
	2SS4039	Fastener				3	—		19/4
2023	17Z4728	STRIP, ANTI-CHAFING, GROUP ...				10	—	C	19/12

**EQUIPMENT (AIRCRAFT)
DINGHY AND PARACHUTE**

Ref. No.	Part No.	Description				No. off	Matl. Spec.	Cl. of St.	Plate and Illust'n No.
		1	2	3	4			M.R.	
		STOWAGE, DINGHY & PARACHUTE IN FRONT CENTRE SECTION, BETWEEN FORMERS 1-5, STARBOARD (Z.6805)							
	6Z6805	Spares for :— ANGLE, ATTACHMENT AT FORMERS GROUP				1	—		19/13
3379	1SS4039	Fastener				1	—	C	19/15
3670	1SS4038	Fastener				1	—	C	19/14
	7Z6805	ANGLE, ATTACHMENT AT FORMERS GROUP				1	—		19/16
		Spares for :—							
3379	1SS4039	Fastener				4	—	C	19/15
3393	6Z2654	CORD, TENSION, GROUP				4	—	C	19/17
	5Z6805	INTERCOSTAL, BETWEEN FORMERS 4-5 GROUP				1	—		19/18
		Spares for :—							
3379	1SS4039	Fastener				6	—	C	19/15
	5Z6169	INTERCOSTAL, BETWEEN FORMERS 1-2, GROUP				1	—		19/19
		Spares for :—							
3379	1SS4039	Fastener				6	—	C	19/15
	6Z6169	INTERCOSTAL, BETWEEN FORMERS 2-3, GROUP				1	—		19/20
		Spares for :							
3379	1SS4039	Fastener				5	—	C	19/15
	7Z6169	INTERCOSTAL, BETWEEN FORMERS 3-4, GROUP				1	—		19/21
		Spares for :—							
3379	1SS4039	Fastener				6	—	C	19/15
2023	17Z4728	STRIP, ANTI-CHAFING, GROUP ...				4	—	C	19/12
4589	2Z6805	TROUGH, BETWEEN FORMERS 1-5, GROUP				1	—		19/22
		Spares for :							
3379	1SS4039	Fastener				14	—	C	19/15
3516	8D7486	STRAP, DINGHY, STOWAGE ON W/O & F/E BULKHEAD IN FRONT, CENTRE SECTION, GROUP				2	—		19/23

SHACKLETON Mk. 2

**EQUIPMENT (AIRCRAFT)
DINGHY AND PARACHUTE**

Page 257

Ref. No.	Part No.	Description				No. off	Matl. Spec.	Cl. of St.	Plate and Illust'n No.
		1	2	3	4			M.R.	
		STOWAGE, PARACHUTE IN CENTRE SECTION BETWEEN FORMERS 8-9 (Z.6820)							
	9Z6820	Spares for :—							
3886	CSS226	Channel, mounting	4	L72		19/24
		Eyebolt, for tension cord	4	—	C	19/25
3328	1Z2654	CORD, TENSION, GROUP				2	—	C	19/1
	4Z6820	INTERCOSTAL, TRIMMING GROUP				1	—		19/26
		Spares for :—							
5278	2SS4039	Fastener	6	—	C	19/4
2023	17Z4728	STRIP, ANTI-CHAFING, GROUP				2	—	C	19/12
4588	2Z6820	TRAY, SUPPORT, FOR PARACHUTE, GROUP				1	—	C	19/28
		Spares for :—							
5278	2SS4039	Fastener	6	—	C	19/4
	3Z6820	TRAY, SUPPORT, FOR PARACHUTE, GROUP				1	—		19/29
		STOWAGE DINGHY ON GALLEY BULKHEAD IN CENTRE SECTION (See Drg. Z6909)							
		Spares for :—							
3393	6Z2654	CORD TENSION, FOR DINGHY PACK, GROUP				1	—	C	19/17
2029	15D6929	STOWAGE, DINGHY, GROUP				1	—	C	19/30

EQUIPMENT (AIRCRAFT)
DINGHY AND PARACHUTE

Ref. No.	Part No.	Description				No. off	Matl. Spec.	Cl. of St.	Plate and Illust'n No.
		1	2	3	4			M.R.	
		STOWAGE, DINGHY IN REAR CENTRE SECTION, BETWEEN FORMERS 18 & 19 STARBOARD (Z6816)							
		Spares for :—							
5172	6Z6816	Bracket, tension cord attachment	1	L72	C	19/31	
	7Z6816	Bracket, angle, intercostal	1	L72		19/32	
	8Z6816	Bracket, angle, tray	1	L72		19/33	
3328	1Z2654	CORD, TENSION, GROUP	1	—	C	19/1	
	5Z6816	INTERCOSTAL, TRIMMING, GROUP			1	—		19/34	
		Spares for :—							
5278	2SS4039	Fastener	6	—	C	19/4	
2023	17Z4728	STRIP, ANTI-CHAFING, GROUP	1	—	C	19/12	
4590	2Z6816	TRAY, SUPPORT FOR DINGHY, GROUP			1	—	C	19/35	
		Spares for :—							
5278	2SS4039	Fastener	3	—	C	19/4	
		STOWAGE, PARACHUTE IN REAR CENTRE SECTION, BETWEEN FORMERS 19 & 20, STARBOARD (Z6817)							
		Spares for :—							
	8Z6817	Bracket, tension cord attachment	2	L72		19/36	
3394	3Z2654	CORD, TENSION, GROUP	1	—	C	19/37	
	5Z6817	INTERCOSTAL, TRIMMING, GROUP			1	—		19/38	
		Spares for :—							
5278	2SS4039	Fastener	6	—	C	19/4	
	10Z6817	Piece, distance at former 19	1	S3 & T35		19/39	
	11Z6817	Piece, distance at former 20	1	S3 & T35		19/40	
2023	17Z4728	STRIP, ANTI-CHAFING, GROUP	1	—	C	19/12	
4599	7Z6817	TRAY, PARACHUTE, GROUP	1	—	C	19/41	
		Spares for :—							
5278	2SS4039	Fastener	3	—	C	19/4	

SHACKLETON Mk. 2

**EQUIPMENT (AIRCRAFT)
DINGHY AND PARACHUTE**

Ref. No.	Part No.	Description				No. off	Matl. Spec.	Cl. of St.	Plate and Illust'n No.
		1	2	3	4			M.R.	
		STOWAGE, DINGHY & PARACHUTE IN REAR CENTRE SECTION, BETWEEN FORMERS 29-31, STARBOARD (Z6815)							141/259
		Spares for :—							
	3Z6923	Bracket, mounting dinghy tray				2	L72		19/42
	5Z6923	BRACKET, ATTACHMENT, DINGHY & PARACHUTE TRAY, GROUP ...				2	—		19/43
	6Z6923	BRACKET, ATTACHMENT PARACHUTE TRAY, GROUP				1	—		19/44
	11Z6815	Bracket, mounting dinghy and parachute tray				1	L72		19/45
	12Z6815	Bracket, mounting dinghy and parachute tray				1	L72		19/46
	13Z6815	BRACKET, ATTACHMENT DINGHY TRAY, GROUP				1	—		19/47
5171	3Z6816	Bracket, for cord on former 30				3	L72	C	19/48
3393	6Z2654	CORD, TENSION, GROUP				4	—	C	19/17
2023	17Z4728	STRIP, ANTI-CHAFING, GROUP ...				4	—	C	19/12
5173	2Z6815	Tray, dinghy				2	L72		19/49
	3Z6815	Tray, parachute, between formers 30-31 ...				1	L72	C	19/50
	4Z6815	Tray, parachute, between formers 29-30 ...				1	L72		19/51

**EQUIPMENT (AIRCRAFT)
DINGHY AND PARACHUTE**

Ref. No.	Part No.	Description				No. off	Matl. Spec.	Cl. of St.	Plate and Illust'n No.
		1	2	3	4			M.R.	
		DINGHY MANUAL RELEASE IN REAR CENTRE SECTION (Z6275)							
		Spares for :—							
	13Z6275	Bracket, clip at former 15	1	L72		20/52
	30Z6275	Bracket, clip at former 15	2	L72		20/53
	3Z6275	BRACKET, PULLEY AT FORMER 15, GROUP				1	—		20/54
		Consisting of :—							
	3aZ6275	Angle, bracket centre	1	L72		20/55
	3bZ6275	Angle, bracket, outer	1	L72		20/56
	3cZ6275	Angle, bracket, outer	1	L72		20/57
28D/12544	A25/8E	Bolt, hex.hd, 1/4" BSF x .8" plain	2	—	C	20/58
28M/10290	AGS2001/E/1 Vickers	Nut, stiff 1/4" BSF	2	—	C	20/59
28R/6189	VGS342/22	Pulley	2	—	A	20/60
28W/12253	SP13/E	Washer, 1/4" BSF	2	—	C	20/61
	8Z6275	BRACKET, PULLEY FRONT PULL OFF POINT, GROUP				2	—		20/62
		Consisting of :—							
	8aZ6275	Angle, bracket	1	L72		
	8bZ6275	Angle, bracket	1	L72		
28D/12542	A25/5E	Bolt, hex.hd, 1/4" BSF x .5" plain	1	—	C	
28M/10290	AGS2001/E/1 Vickers	Nut, stiff, 1/4" BSF	1	—	C	20/59
28R/6189	VGS342/21	Pulley	1	—	A	
28W/12253	SP13/E	Washer, 1/4" BSF	1	—	C	20/61
	24Z6275	BRACKET, PULLEY AT FORMER 15 GROUP (Between stringers 18-19)				1	—		20/63
		Consisting of :—							
	24aZ6275	Angle, bracket	1	L72		
	24cZ6275	Angle, bracket	1	L72		
28D/12542	A25/5E	Bolt, hex.hd, 1/4" BSF x .5" plain	2	—	C	
28M/10290	24bZ6275 AGS2001/E/1 Vickers	Channel	1	L72	C	20/59
28R/6189	VGS342/21	Nut, stiff, 1/4" BSF	1	—	C	
28W/12253	SP13/E	Pulley	1	—	A	
		Washer, 1/4" BSF	1	—	C	20/61
	1Z6438	BRACKET, PULLEY AT FORMER 14, GROUP				1	—		20/64
		Consisting of :—							
	3Z6438	Angle, bracket	1	L72		
	4Z6438	Angle, bracket	1	L72		
28D/12542	Z25/5E	Bolt, hex.hd, 1/4" BSF x .5" plain	1	—	C	
28M/10290	2Z6438 AGS2001/E/1 Vickers	Channel	1	L72	C	20/59
28R/6189	VGS342/21	Nut, stiff, 1/4" BSF	2	—	C	
28Q/10413	AS2230/405	Plate	2	L72	C	
28W/12253	SP13/E	Pulley	2	—	A	
		Rivet, csk.hd, 1/8" dia. x 1/8" long	9	—	C	
		Washer, 1/4" BSF	2	—	C	20/61

EQUIPMENT (AIRCRAFT)
DINGHY AND PARACHUTE

Ref. No.	Part No.	Description				No. off	Matl. Spec.	Cl. of St.	Plate and Illust'n No.
		1	2	3	4			M.R.	
DINGHY, MANUAL, RELEASE IN REAR CENTRE SECTION (Z6275) (Cont'd)									
3416	18Z6275	CABLE, DINGHY RELEASE 3' 5.7" LONG GROUP				1	—	C	20/65
3417	20Z6275	CABLE, DINGHY RELEASE 15' 0" LONG GROUP				1	—	C	20/66
3418	21Z6275	CABLE, DINGHY RELEASE 15' 2" LONG GROUP				1	—	C	20/67
3419	22Z6275	CABLE, DINGHY RELEASE 9' 9" LONG GROUP				1	—	C	20/68
3420	33Z6275	CABLE, DINGHY RELEASE 19' 7" LONG GROUP				1	—	C	20/69
3421	34Z6275	CABLE, DINGHY, RELEASE 4' 0" LONG, GROUP				1	—	C	20/70
2248	30Z5601	CASE, REAR, PULL OFF POINT, GROUP				1	—	C	20/71
	18Z5601	Spares for :— BRACKET, PULLEY, GROUP ...				2	—		20/72
28D/12542	A25/5E	Consisting of :—							
	18aZ5601	Bolt, hex.hd, 1/4" BSF x .5" plain				1	—	C	
28M/10290	AGS2001/E/1	Bracket				2	DTD610		
	Vickers	Nut, stiff, 1/4" BSF				1	—	C	20/59
	VGS342/21	Pulley				1	—		
28W/12253	SP13/E	Washer, 1/4" BSF				1	—	C	29/61
27H/2026	—	Label, luminised " D "				1	—	C	20/73
2245	475SS6000	Label, " PORT "				1	—	C	20/74
2246	476SS6000	Label, " STARBOARD "				1	—	C	20/75
13092	4SS3264	Clip, tube				6	DTD610	C	20/76
13311	2SS3266	Clip, tube				1	DTD610	C	20/77
13264	2SS3512	Clip, tube				3	DTD610	C	20/78
2249	4SS3863	Clip, tube				2	DTD610	C	20/79
2243	1SS1826	Clip, spring for handle				4	—	C	20/80
	5Z6275	COVER, FRONT PULL OFF, GROUP				1	—		20/81
		Spares for :—							
2243	1SS1826	Clip, spring				4	—	C	20/80
27H/2026	—	Label, luminised " D "				1	—	C	20/73
2245	475SS6000	Label, "PORT"				1	—	C	20/74
2246	476SS6000	Label, "STARBOARD"				1	—	C	20/75
	7Z6275	Fairlead, from pulley bracket				1	—	C	20/82
	16Z6275	Fairlead, front pull off point				2	BSS972		20/83
	17Z6275	Fairlead, at former 16				2	BSS972		20/84
2252	21Z5601	Fairlead at former 15				1	BSS972	C	20/85
2253	23Z5601	Fairlead at former 17, 19, 21, 23, 24				10	BSS972	C	20/86
2254	14Z5601	HANDLE, DINGHY RELEASE, GROUP				4	—	C	20/87
	25Z5601	Tube, cable 1/2" o/d x 20g x 31"				1	T4 or T9		
	26Z6275	Tube, cable 1/2" o/d x 20g x 31"				1	T4 or T9		
	27S6275	Tube, cable 1/2" o/d x 20g x 31"				1	DTD310		
	28Z6275	Tube, cable 1/2" o/d x 20g x 156"				1	DTD310		
	29Z6275	Tube, cable 1/2" o/d x 20g x 156"				1	T4 or T9		

**EQUIPMENT (AIRCRAFT)
DINGHY AND PARACHUTE**

Ref. No.	Part No.	Description				No. off	Matl. Spec.	Cl. of St.	Plate and Illust'n No.
		1	2	3	4			M.R.	
2255	5Z3731	DINGHY, STOWAGE EQUIPMENT IN CENTRE SECTION TRAILING EDGE, PORT AND STARBOARD (1 & 2Z4403)							
		Spares for :—							
		Bracket, pulley				1	DTD610	C	20/88 20/89
		PAN, PRE-PACKING, PORT & STARBOARD (8 & 9 Z4403)							
		Consisting of :—							
27C/2035	—	Apron, weather type J				1	—	C	
27C/1880	—	Bellows, breast				1	—	A	
12D/527	—	Case, cartridge No. 381 Mk. 1				15	—	A	
6E/374	—	Compass, Mk. 1				1	—	A	
6D/87	—	Cylinder, C.O.2 Mk. 3				1	—	A	
27C/1882	—	DINGHY, TYPE, MK. 3				1	—	A	
		Complete with :—							
27C/1890	—	Drouge				1	—	A	
27C/2113	—	Kit, fishing				1	—	C	
27C/2125	—	Knife, sheath, small				1	—	C	
27H/2733	—	Label, ground emergency code				1	—	C	
27C/2213	—	Line, hauling in				1	—	C	
27C/2114	—	Outfit, repair				1	—	A	
27C/1894	—	Paddles, glove				2	—	C	
27C/2018	—	Rope, ladder				1	—	C	
27C/2176	—	Stopper, leak (set of six)				1	—	C	
		HEAD, OPERATING, TYPE "H" MK. 2, & PISTON UNIT, GROUP (9Z3376)							
		Consisting of :—							
2256	2Z3803	HEAD, OPERATING, TYPE "H" GROUP				1	—	A	20/90
		Consisting of :—							
28D/12513	A25/2C	Bolt, hex.hd, 2 BA				1	—	C	
3403	4Z3803	Disc, sealing				1	DTD213	C	20/137
6D/911	—	Head, operating type H11				1	—	C	
28M/10288	AGS2001/C/1	Nut, stiff, 2 BA				1	BSS251	C	20/138
3404	3Z3803	Plug, blanking				1	DTD610	C	20/139
3405	4Z3376	Pointer				1	L1	C	20/140
3406	5Z3376	Washer				1	—	C	
2257	7Z3376	Plug, banjo joint				1	S61	C	20/91
2258	6Z3376	Ring, banjo joint				2	L40	C	20/92
2259	—	UNIT, PISTON, GROUP (1Z3375)				1	—	A	20/93
		Spares for :—							
3407	22Z3375	Collar, distance				1	S1	C	20/94
3408	24Z3375	Cover, cylinder end				1	S61	C	20/95
3409	12Z3375	Disc, sealing				1	—	C	20/96
3410	26Z3375	Nut, sealing				1	S61	C	20/97
3411	23Z3375	Plate, clamping				1	S61	C	20/98
3412	30Z3375	Ring, piston				2	S1	C	20/99
3413	28Z3375	Ring, joint, end cover				1	L34	C	20/100
3414	20Z3375	Rod, piston				1	S61	C	20/101
3415	14Z3375	Screw, clamping				2	S1	C	20/102
3395	16Z3375	Stud, locating				2	S1	C	20/103
3396	29Z3375	Washer, piston rod... ..				1	Gaco	C	20/104

SHACKLETON Mk 2

**EQUIPMENT (AIRCRAFT)
DINGHY AND PARACHUTE**

Ref. No.	Part No.	Description				No. off	Matl. Spec.	Cl. of	Plate and Illust'n No.
		1	2	3	4			St. M.R.	
PAN, PRE-PACKING PORT AND STARBOARD (8 & 9 Z4403) (Cont'd)									
10D/16957	—	Kit, No. 1 Dinghy radio port				1	—	A	20/105
27C/1930	—	PACK, EMERGENCY, TYPE 4 GROUP				1	—	A	20/106
		Consisting of :—							
12D/514	—	Cartridge, signal				45	—	C	
22B/29	—	Lanyard, clasp knife				1	—	A	
9C/22	—	Outfit, first aid				1	—	A	
7B/971	—	Pistol, signal				1	—	A	
10DB/975	—	Transmitter, type 3180				1	—	A	
2260	1Z3480	PAN, PRE-PACKING, GROUP (Pre. Mod. 335)				1	—	C	
4715	1Z7239	PAN, PRE-PACKING, GROUP (Mod. 335)				1	—	C	20/107
	1Z6899	VALISE, GROUP				1	—		
		Consisting of :—							
51/161	—	Kite, aerial				2	—	A	
33C/634	—	Block, fluorescine				1	—	C	
27C/2033	—	Cup, drinking & baler				1	—	C	
27H/2107	—	Heliograph				1	—	A	
22B/29	—	Lanyard, Clasp Knife				1	—	A	
12D/461	—	Matches, water-proof				1	—	C	
27P/19	—	Rations, emergency Mk. 3 +				5	—	C	
27P/24	—	Rations, emergency Mk. 4 + (alternatives +)				5	—	C	
27B/726	—	Sponge				1	—	C	
	6Z6899	Thread, linen 18 S, 3 cord				OR	—	C	
27C/2119	—	Unit, de-salting				10	—	C	
2522	2Z6899	VALISE, GROUP				1	—	C	20/108
		Consisting of :—							
	16Z1670	Disc, fibre				1	—		
	AGS232/D	Eyelet				3	—		
	11Z1670	Fastener				7	—		
	5Z6899	Fastener, zip 4' 10" long approx.				1	—		
	9Z1670	Label				1	DTD336A		
	7Z1670	Lanyard 12' 0" long				1	F32		
	4Z6899	Lid $\frac{3}{16}$ " thick				1	Plywood		
	3Z6899	Valise, fabric				1	DTD790		
27P/8	—	Water, canned				5	—	C	
28R/6189	Vickers VGS342/21	Pulley				1	—	A	

**EQUIPMENT (AIRCRAFT)
DINGHY AND PARACHUTE**

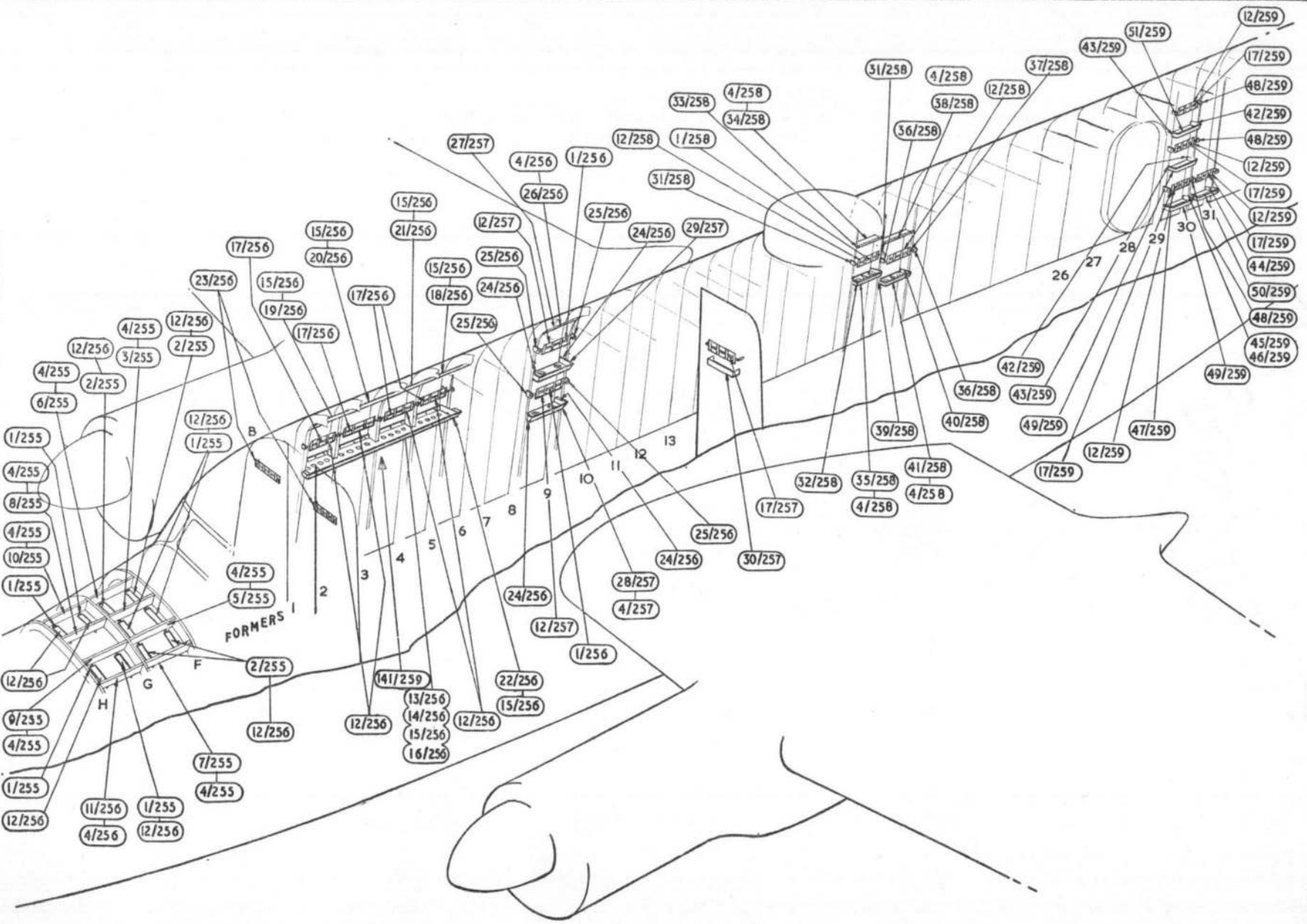
Ref. No.	Part No.	Description				No. off	Matl. Spec.	Cl. of St.	Plate and Illust'n No.
		1	2	3	4			M.R.	
		RELEASE, MECHANICAL, GAS OPERATED DINGHY STOWAGE, IN CENTRE SECTION TRAILING EDGE, PORT & STARBOARD (F7613)							20/109
		Spares for :—							
2261	13F6112	Arm, operating lever	1	L40	C	20/110
2262	18F6112	Block, guide	1	L40	C	20/111
3397	34F6112	Block, guide	1	L40	C	20/112
	27F6112	Block, distance	1	—		
	35F6112	Block, distance	1	BSS972		
2264	5F6112	Lever, bell crank	2	S80	C	20/114
1375	2F7613	Lever, operating	1	DTD610	C	20/115
2265	7F6112	Lever, release	2	S80	C	20/116
3398	5F7613	Mounting, bell crank	2	S80	C	20/117
3399	6F7613	Mounting, release lever	2	S80	C	20/118
3400	7F7613	Mounting, operating lever	1	S80	C	20/119
	1F6164	PANEL, GROUP	1	—		
2269	15F6112	Pin	1	S80		20/120
28P/5497	3P4/Z/B5	Pin, shackle $\frac{3}{16}$ " dia.	2	—	C	
28P/9960	SP4/Z/B12	Pin, shackle $\frac{3}{16}$ " dia.	1	—	C	
28P/12594	3P4/Z/D4	Pin, shackle $\frac{1}{4}$ " dia.	2	—	C	20/121
3401	3F7613	Plate, guide	1	DTD610	C	20/122
3402	37F6112	Plate, guide	1	DTD610	C	20/123
2270	8F6112	Plate, base	1	DTD610	C	20/124
	38F6112	Plate, base	1	DTD610		20/125
2411	26F6112	ROD, CONTROL, (SHORT), GROUP	1	—	C	20/126
		Consisting of :—							
	26aF6112	Fork, end fitting	1	S80		
	24aF6112	Fork, end fitting	1	S80		
28Q/1969	AS455/308	Rivet, snap.hd, $\frac{3}{32}$ " dia. x $\frac{1}{2}$ " long	4	—	C	
	26bF6112	Tube, control	1	T35		
2271	39F6112	ROD, CONTROL (LONG), GROUP	1	—	C	20/127
		Consisting of :—							
	24aF6112	Fork, end fitting	1	S80		
	25aF6112	Fork, end fitting	1	S80		
28Q/1969	AS455/308	Rivet, snap.hd, $\frac{3}{32}$ " dia. x $\frac{1}{2}$ " long	2	—	C	
	39aF6112	Tube, control	1	T35		
3386	6F6112	Roller	2	S80	C	20/128
3387	29F6112	Roller	2	S80	C	20/129
1376	4F7613	Spigot	1	S80	C	20/130
3388	8F7613	Spigot	1	S80	C	20/131
2469	11F6112	Spring	2	—	C	20/132
3389	31F6112	Spring	1	—	C	20/133
3390	9F6112	Stop	2	S80	C	20/134
3391	10F6112	Stop	2	S80	C	20/135
3392	43F6112	Stud	1	S80	C	20/136

SHACKLETON Mk 2

EQUIPMENT (AIRCRAFT)
DINGHY AND PARACHUTE

Ref. No.	Part No.	Description				No. off	Matl. Spec.	Cl. of St.	Plate and Illust'n No.
		1	2	3	4			M.R.	
SUMMARY OF STOCK ITEMS USED ON DINGHY MANUAL RELEASE INSTALLATION									
28D/12528	A25/1B	Bolt, hex,hd, 4 BA x .5" long	30	—	C	
28D/12511	A25/2B	Bolt, hex,hd, 4 BA x .6" long	10	—	C	
28D/12622	A25/3B	Bolt, hex,hd, 4 BA x .7" long	16	—	C	
28D/12512	A25/1C	Bolt, hex,hd, 2 BA x .55" long	20	—	C	
28D/12566	A25/6C	Bolt, hex,hd, 2 BA x 1.05" long...	2	—	C	
28D/12516	A25/11C	Bolt, hex,hd, 2 BA x 1.55" long...	4	—	C	
28D/12542	A25/5E	Bolt, hex,hd, 1/4" BSF x 1.0" long...	8	—	C	
28M/10287	AGS2001/B/1	Nut, stiff, 4 BA	70	—	C	
28M/10288	AGS2001/C/1	Nut, stiff, 2 BA	35	—	C	
28M/10290	AGS2001/E/1	Nut, stiff, 1/4" BSF	8	—	C	
28M/12153	AGS2007/B/1	Nut, anchor, 4 BA	16	—	C	
28W/12305	SP13/B	Washer, 4 BA	72	—	C	
28W/12252	SP13/C	Washer, 2 BA	22	—	C	
28W/12253	SP13/E	Washer, 1/4" BSF	8	—	C	

DINGHY AND PARACHUTE EQUIPMENT



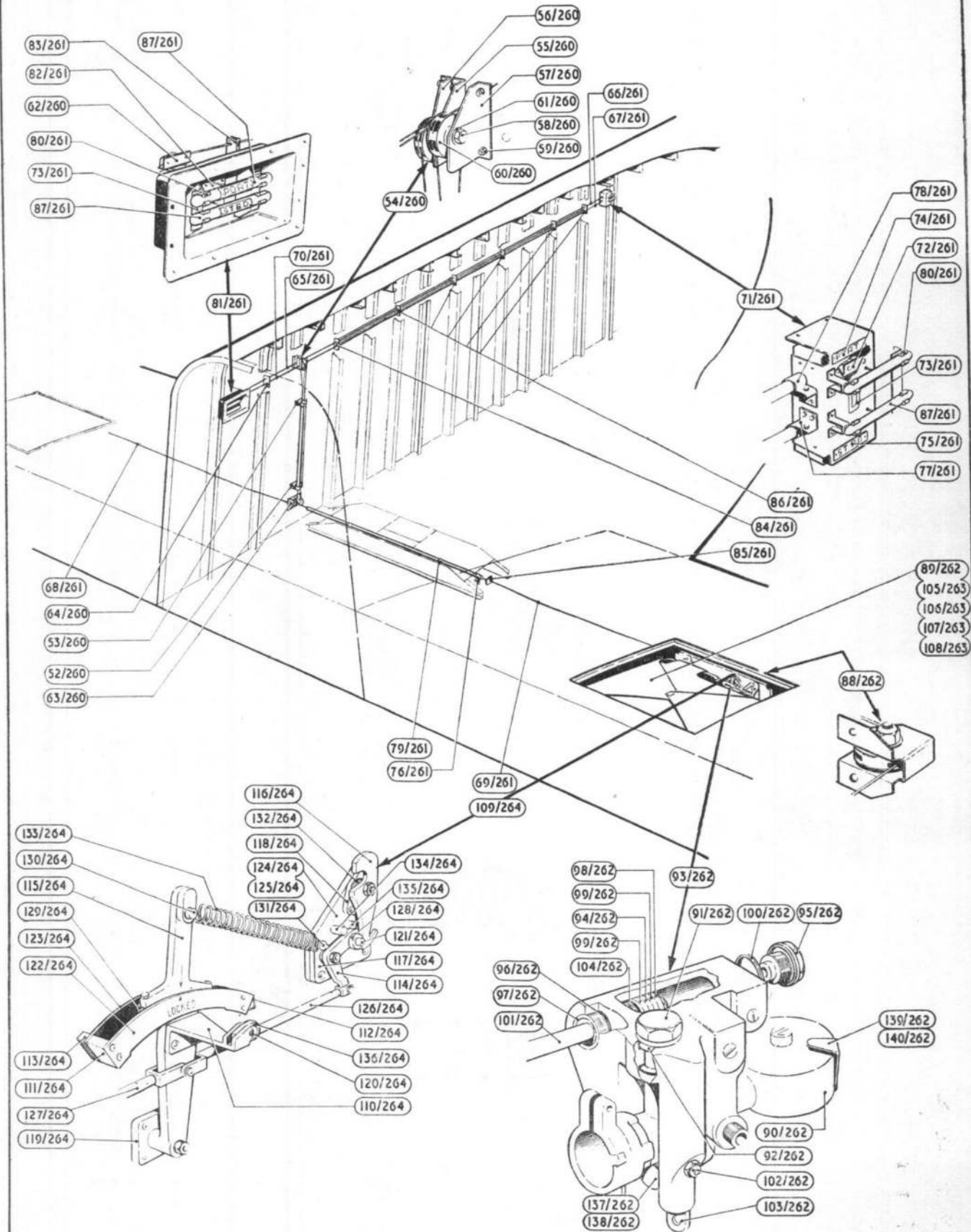
RESTRICTED

RESTRICTED

TABLE NO. 1
LEVEL METER

DATE





DINGHY AND PARACHUTE EQUIPMENT
DINGHY MANUAL RELEASE

PLATE NO. 20
ISSUE NO. 1

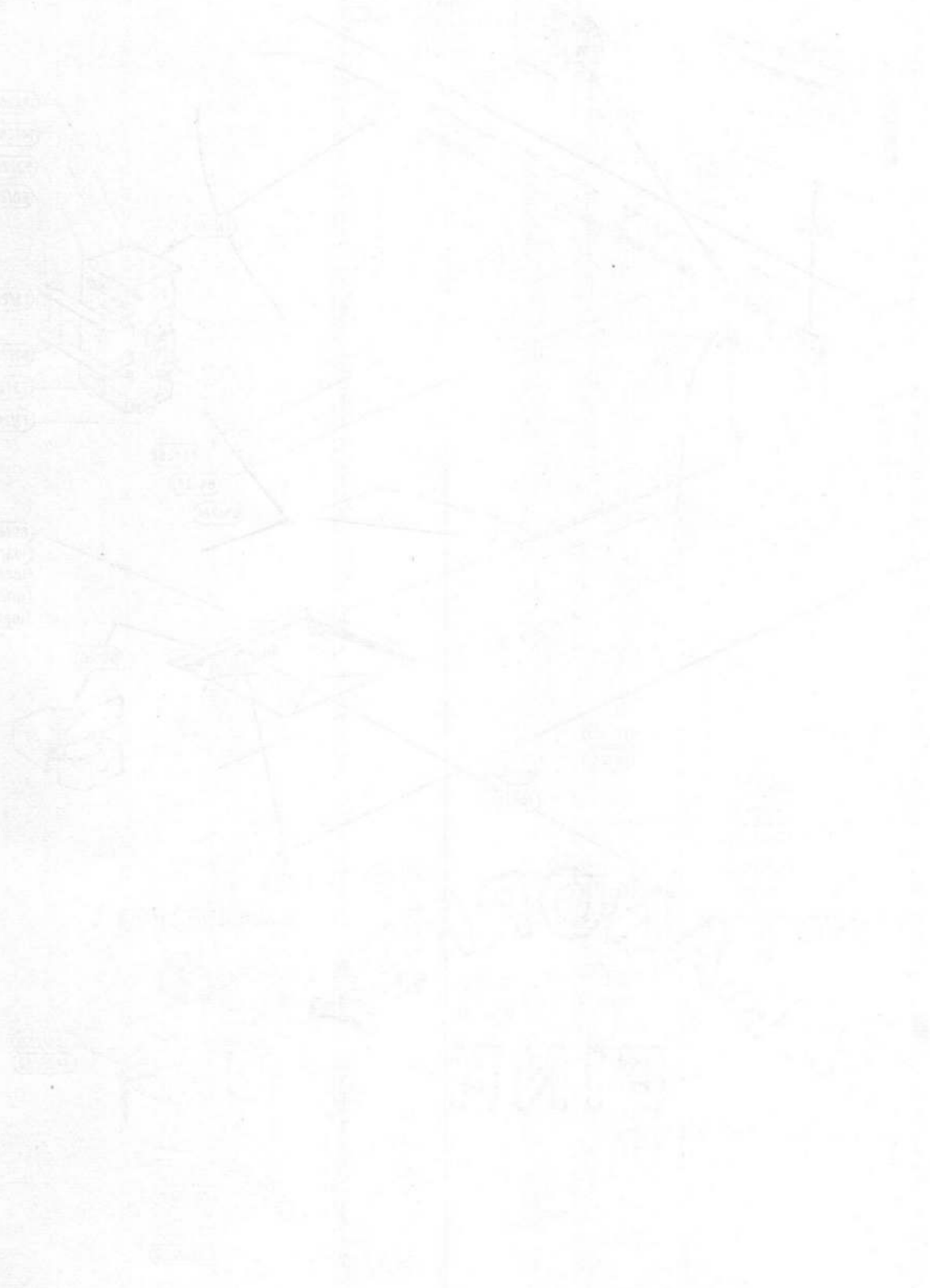


PLATE NO. 20
ISSUE NO. 1

SHACKLETON Mk. 2

EQUIPMENT (AIRCRAFT)

GALLEY

Ref. No.	Part No.	Description				No. off	Matl. Spec.	Cl. of St.	Plate and Illust'n No.
		1	2	3	4			M.R.	
		GALLEY, EQUIPMENT & BULKHEAD BETWEEN FORMERS 11-12, GROUP (Z6909)							
	23F5332	Spares for :— Bracket, clip RH over flow pipe				1	DTD610		18/51
	24F5332	Bracket, clip LH over flow pipe				1	DTD610		18/52
	1Z5609	BULKHEAD, GROUP				1	—		
	18Z5609	Spares for :— Handgrip				1	S3 & T45		18/53
	425V4577	CABLE, GROUP (Pre-Mod. 457)				1	—		
7901	950V5630	CABLE, GROUP (Mod. 457)				1	—	B	
3393	6Z2654	CORD, TENSION DINGHY, GROUP				1	—	C	18/54
	3Z4866	Hose, drain pipe from sink ½" i/d x ¾" o/d x 36" long				1	Impervex B.S.B.		18/55
	6Z4866	Hose, over flow pipe from tank ½" i/d x ¾" o/d x 28" long				1	Impervex B.S.B.		18/56
		HOT CUPBOARD, GALLEY (55Z4315)							
	54Z4315	Spares for :— COVER, REMOVABLE, TOP, GROUP				1	—		18/57
1406	5Z4315	DOOR, BOTTOM, LH, GROUP				1	—	C	18/58
	Wilmot Breedon PD/EXP/7402/A	Spares for :— Catch, door...				1	—	C	18/59
1407	6Z4315	DOOR, BOTTOM, RH, GROUP				1	—	C	18/60
	Wilmot Breedon PD/EXP/7402/A	Spares for :— Catch, door...				1	—	C	18/59
1404	7Z4315	DOOR, TOP, RH, GROUP				1	—	C	18/61
	Wilmot Breedon PD/EXP/7402/A	Spares for :— Catch, door...				1	—	C	18/59
1405	8Z4315	DOOR, TOP, LH, GROUP				1	—	C	18/62
2164	18Z4315	Spares for :— Catch, door...				1	—	C	18/63
2235	15Z4315	PLATE, STRIKING, GROUP				1	—	C	18/64
	1Z4405	DRAWER, GROUP				2	—		18/65
	Wilmot Breedon PD/EXP/7402/A	Spares for :— Catch, drawer				1	—	C	18/59

EQUIPMENT (AIRCRAFT)

GALLEY

Ref. No.	Part No.	Description				No. off	Matl. Spec.	Cl. of St.	Plate and Illust'n No.
		1	2	3	4			M.R.	
		HOT CUPBOARD, GALLEY (55Z4315) (Cont'd)							
		ELECTRICAL EQUIPMENT (57 & 60Z4315) (See Electrical Installation)							
		LINING, HEAT, INSTALLATION (22Z4315)							
		Consisting of :—							
28D/10382	AS1249/5B	Bolt, mush.hd, 4 BA x .5" plain	24	—	C C C	
28D/10124	AS1243/5B	Bolt, csk.hd, 4 BA x .5" plain	21	—		
28M/10287	AGS2001/B/1	Nut, stiff, 4 BA	45	—		
	39Z4315	Plate, lining top side (5 $\frac{3}{4}$ " x 14 $\frac{1}{8}$ " x 26G)				2	DTD610		
	40Z4315	Plate, lining bottom side (8 $\frac{1}{16}$ " x 14 $\frac{1}{8}$ " x 26G)				2	DTD610		
	41Z4315	Plate, lining top (14 $\frac{1}{8}$ " x 14 $\frac{5}{16}$ " x 26G)				1	DTD610		
	42Z4315	Plate, lining top back (5 $\frac{3}{4}$ " x 14 $\frac{5}{16}$ " x 26G)				1	DTD610		
	43Z4315	Plate, lining bottom back (9 $\frac{1}{16}$ " x 14 $\frac{5}{16}$ " x 26G)				1	DTD610		
	44Z4315	Sheet, asbestos, Bells "Viceroy" ($\frac{1}{2}$ " x 5 $\frac{3}{4}$ " x 13 $\frac{1}{16}$ ")				2	L130A		
	45Z4315	Sheet, asbestos, Bells "Viceroy" ($\frac{1}{2}$ " x 9 $\frac{9}{16}$ " x 13 $\frac{1}{16}$ ")				2	L130A		
	46Z4315	Sheet, asbestos, Bells "Viceroy" ($\frac{1}{2}$ " x 14.3" x 14.8")				1	L130A		
	47Z4315	Sheet, asbestos, Bells "Viceroy" ($\frac{1}{2}$ " x 5 $\frac{3}{4}$ " x 14.8")				1	L130A		
	48Z4315	Sheet, asbestos, Bells "Viceroy" ($\frac{1}{2}$ " x 9 $\frac{9}{16}$ " x 14.8")				1	L130A		
	49Z4315	Tube, distance $\frac{5}{16}$ " dia. x $\frac{3}{8}$ " long	45	Tufnol		
	AS470/B	Washer	45	—		
	50Z4315	MOUNTING, HOTPLATE, GROUP				1	—		17/66
	4Z4315	PLATE, BASE, GROUP				1	—		17/67
	15Z4315	PLATE, STRIKING, GROUP				1	—		17/64
	1Z4398	RUNNER, FOR DRAWER, GROUP				1	—		17/68
	1Z4316	SINK, COMPLETE WITH TOP, GROUP				1	—		17/69
		Spares for :—							
2236	8Z5226	Adaptor, drain outlet	1	L1 or L40	C	17/70
	4Z4316	Chain, plug	1	—	C	17/71
2237	78Z2405	Nut, adaptor	1	S1	C	17/72
2238	64Z2405	Plug, sink	1	—	C	17/73
	Carrs & Co. No. 8	Washer, cup	12	—		

EQUIPMENT (AIRCRAFT)
GALLEY

Ref. No.	Part No.	Description				No. off	Matl. Spec.	Cl. of St.	Plate and Illust'n No.
		1	2	3	4			M.R.	
5CY/2967	2V5737	MOUNTING, SUPPRESSOR, TYPE 20, ON BULKHEAD (V5737)							
		Spares for :— BRACKET, MOUNTING, GROUP ...				1	—		18/74
		Suppressor, type 02				1	—	A	18/75
		PANEL, FUSE, ON BULKHEAD (1V5783) (See Equipment Aircraft: Instrument Panels)							
2239	7Z5476 7Z4866	Piece, packing taper, at bulkhead handgrip ...				1	BSS972		
		Pipe, stub, overflow pipe				1	DTD213 & DTD310	C	18/76
2240	5Z5476	SADDLE, WATER TANK INBOARD, GROUP				1	—	C	18/77
2241	6Z5476	SADDLE, WATER TANK OUTBOARD, GROUP				1	—	C	18/78
13153	2SS1945	Spares for :— Screw, adjusting tank strap				1	—	C	18/79
680	1Z5493	STRAP, TANK, INBOARD, GROUP ...				1	—	C	18/80
681	2Z5493	STRAP, TANK, OUTBOARD, GROUP				1	—	C	18/81
		SATCHEL, INSPECTION LAMP, ON BASE OF HOT CUPBOARD (Z6862)							
	2Z6862	Spares for :— BRACKET, MOUNTING SATCHEL, GROUP				1	—		
5A/1699	—	Filament, lamp				1	—	A	
5CX/369	—	Lamp, inspection				1	—	A	
13580	2V1575	Satchel, inspection lamp				1	—	C	18/82
2029	15D6929	STOWAGE, DINGHY, GROUP ... (See Equipment: Dinghy Installation)				1	—	C	19/30
2034	1Z5732	STRIP, ANTI-CHAFING, FOR DINGHY PACK, GROUP				1	—	C	
679	3Z5476	TANK, WATER (10 galls), GROUP ... (See Tanks)				1	—	A	18/83
5V/54	1Z2403	URN, WATER, ELECTRICALLY HEATED, GROUP (Pre Mod. 457)				1	—	A	18/84
	1Z8064	URN, WATER, ELECTRICALLY HEATED, GROUP (Mod. 457)				1	—		

SHACKLETON Mk. 2

**EQUIPMENT (AIRCRAFT)
INSTRUMENT PANELS**

Ref. No.	Part No.	Description				No. off	Matl. Spec.	Cl. of	Plate and Illust'n No.
		1	2	3	4			St. M.R.	
		PANELS, INSTRUMENT, ASSEMBLIES							
		Spares for :—							
		PANEL, INSTRUMENT AND MOUNTING, FRONT GUNNERS IN NOSE PORTION, GROUP (S1843)				1	—		
		Consisting of :—							
	D4367N	Panel, instrument	1	—		21/1
	D1366N	Panel, control	1	—		21/2
	1S1807	PANEL, INSTRUMENT AND FRAME, BOMB AIMERS, IN NOSE, PORT, GROUP				1	—		
		Spares for :—							
	14V5620	CABLE, GROUP	1	—		
	15V5620	CABLE, GROUP	1	—		
	1S1805	FRAME, GROUP	1	—		
	1S1803	PANEL, INSTRUMENT, BOMB AIMER'S GROUP (Pre-Mod. 645)				1	—		22/3
	6S1803	PANEL, INSTRUMENT, BOMB AIMER'S, GROUP (Mod. 645)				1	—		
		Spares for :—							
	AS1345/12	Cable, check	1	—		
	—	Clock, Mk. 2, Fluorescent	1	—	A	22/4
	—	Control, camera	1	—	A	22/5
	—	Filament	1	—	A	22/6
	—	Filament	1	—	A	22/7
6A/1275	Smiths	Indicator, flag type				2	—	A	22/8
14A/3094	EBA/C457/15	Label (Flame Float Release)				1	—		
5L/1699	902SS4000	Label (Open)				1	—		
5L/1928	134SS6000	Label (On)				5	—		
	752SS6000	Label (Day)				1	—		
	119SS6001	Label (Night)				1	—		
	120SS6001	Lamp				1	—	B	22/9
5CX/1553	—	Lamp, inspection				1	—	A	22/10
5CX/369	—	PANEL, BOMB AIMER'S, LESS INSTRUMENTS, PORT, GROUP (S1803) (Pre-Mod. 645)				1	—	A	22/11
4225	—	PANEL, BOMB AIMER'S, LESS INSTRUMENTS, PORT, GROUP (6S1803) (Mod. 645)				1	—		
		Consisting of :—							
	10S1803	Bracket (Mod. 771)	1	—		22/12
	14SS3529	Grommet	1	—		22/14
	11SS3529	Grommet	1	—	C	22/13
	571SS6000	Label (Stowage for WAF)	1	—		
	600SS6000	Label (Special IC System)	1	—		
	121SS6001	Label (Inspection Socket)	1	—		
	123SS6001	Label (Flare Release)	1	—		
	124SS6001	Label (Cameras)	1	—		
		PANEL (2S1803) (Pre-Mod. 645) ...				1	—		
		PANEL (7S1803) (Mod. 645) ...				1	—		
		Spares for :—							
	AJ6/40	Fastener	2	—	C	
28FP/875	GA6/350	Grommet	2	—	C	
28FP/914588	2cS1804	Hinge (AS1885/165)	1	—		

EQUIPMENT (AIRCRAFT)
INSTRUMENT PANELS

Ref. No.	Part No.	Description				No. off	Matl. Spec.	Cl. of St.	Plate and Illust'n No.
		1	2	3	4			M.R.	
		PANEL, BOMB AIMER'S, GROUP (S1803) (Cont'd)							
28Q/6639	AS2227/405				Rivet, snap hd, $\frac{1}{8}$ " x $\frac{5}{16}$ " long ...	16	—	C	
28Q/6663	AS2227/303				Rivet, snap hd, $\frac{3}{32}$ " x $\frac{3}{16}$ " lg. ...	9	—	C	
28Q/10413	AS2230/405				Rivet, csk.hd, $\frac{1}{16}$ " x $\frac{3}{16}$ " lg. ...	4	—	C	
14A/540	—				Plate, wedge	1	—	C	22/15
10H/2691	—				Plug, "W" small	1	—	A	22/16
10F/2	—				Switch, type 171	1	—	A	22/17
10F/1786	—				Switch, push	1	—	A	22/18
5CZ/724	—				Switch, dimmer	1	—	A	22/19
5CW/455	—				Switch, plug	1	—	A	22/20
5CW/4199	—				Switch, required in conjunction with label 119SS & 120SS6001	1	—	B	22/21
5CW/4184	—				Switch, required in conjunction with label 134SS & 752SS6001	1	—	B	22/22
5CW/4221	—				Switch, required in conjunction with label 752SS6001	3	—	B	22/23
5CW/898	—				Switch, push button	1	—	A	
	1S1808				PANEL, INSTRUMENT AND FRAME, BOMB AIMER'S, IN FUSELAGE NOSE PORTION, STARBOARD, GROUP Spares for :—	1	—		22/24
	27V5621				CABLE, GROUP	1	—		
	28V5621				CABLE, GROUP	1	—		
	2S1805				FRAME, GROUP	1	—		
	1S1804				PANEL, INSTRUMENT BOMB AIMER'S, GROUP Spares for :—	1	—		22/25
	AS1345/12				Cable, check	1	—		
	1V5621				CABLE, LOOM, GROUP	1	—		
5L/1428	—				Filament	3	—	A	22/26
	752SS6000				Label (On)	1	—		
4226	—				PANEL, LESS INSTRUMENTS, BOMB AIMER'S STARBOARD, GROUP (S1804) Consisting of :—	1	—	A	22/27
13233	11S3529				Grommet	3	—	C	
13766	14SS3529				Grommet	1	—	C	
	196SS4000				Label (Lifeboat)	1	—		
	547SS6002				Label (Bomb Fusing Tail)	1	—		
	82SS6001				Label (Nose & Tail)	1	—		
	83SS6001				Label (Lifeboat Master Bomb & Lifeboat Slip Heater)	1	—		
	339SS6001				Label (Warning Remove Jettison Cable Pin before Opening Panel)	1	—		
	2S1804				Panel	1	L72		
28Q/6692	AS2227/204				Rivet, snap.hd, $\frac{1}{18}$ " dia. x $\frac{1}{2}$ " long) ...	13	—	C	

SHACKLETON Mk 2

**EQUIPMENT (AIRCRAFT)
INSTRUMENT PANELS**

Ref. No.	Part No.	Description				No. off	Matl. Spec.	Cl. of St.	Plate and Illust'n No.
		1	2	3	4			M.R.	
		PANEL, BOMB AIMER'S, STARBOARD (S1804) (Cont'd)				1	—		
5D/656	—	Switch-box, selector				1	—	A	22/29
5D/1062	—	Switch, interlock firing				1	—	A	22/30
5CW/844	—	Switch, firing				1	—	B	22/31
5CW/724	—	Switch, dimmer				1	—	B	22/19
5D/534	—	Switch, firing				1	—	A	22/32
5CW/4199	—	Switch				3	—	B	22/21
5CW/4184	—	Switch, required in conjunction with label 752SS6000				1	—	B	22/22
	1V9511	PANEL, No. 1 HEATER CONTROL BETWEEN FORMERS F & G, GROUP (Mod. 771)				1	—		22/33
		Spares for :—							
5H/2	—	Block, terminal				1	—	C	
5CZ/882	—	Block, fuse, type " E "				1	—	B	22/36
	1E1022	BRACKET, BOOSTER COIL SUPPORT, GROUP				1	—		
13106	1SS2877	Bush, for cables to T.B. and suppressor ...				1	—	C	
	1272V5630	Cable, F.379 to lamp				1	—		
13070	1SS3315	Clip, cable				1	DTD275	C	
37A/1813	—	Coil, booster				1	—	A	22/34
5H/8	—	Cover, terminal block				1	—	C	
	4V5346	Disc, blanking booster coil				1	LT2		
5H/24	—	Ferrule, for terminal block				1	—	C	
5L/601	—	Filament				1	—	B	22/35
5CZ/881	—	Fuse, 10 amp. type " S "				2	—	B	22/37
13337	17SS3529	Grommet, for cable to suppressor				1	—	C	
13233	11SS3529	Grommet, for cable to lamp				1	—	C	
5CZ/	C457/EBA/2	Indicator				1	—	A	22/38
	690SS6000	Label, " Half Heat "				1	—		
	252V4424	Label, " T.B.252 "				1	—		
	254SS6005	Label, " No. 1 Heater " etc.				1	—		
	125SS6001	Label, " Fuse—10 amp."				1	—		
5CX/4058	—	Lamp				1	—	A	
5H/19	—	Link, commoning				1	—	C	
	V5631	LOOM, CABLE, GROUP				1	—		
	4V5457	MEMBER, END SUPPORT, GROUP				1	—		
	2V9511	PANEL, LESS EQUIPMENT, GROUP				1	—		22/39
	27V5348	Pin, stop, for heat switch				2	—		
5CW/4102	—	Relay, type Q.3				1	—	A	22/40
5CX/3430	—	Screen, for lamp				1	—	B	
5H/125	—	Socket, double, for T.B.				2	—	C	
5H/124	—	Socket, single, for T.B.				1	—	C	
5CY/1002	—	Suppressor, type P				1	—	A	
	4S1748	SWITCH, GROUP				1	—		
		Consisting of :—							
	750SS6000	Label, " On "				1	—		
5CW/4225	—	Switch				1	—	B	22/41

EQUIPMENT (AIRCRAFT)
INSTRUMENT PANELS

Ref. No.	Part No.	Description				No. off	Matl. Spec.	Cl. of St.	Plate and Illust'n No.
		1	2	3	4			M.R.	
		PANEL, No. 1 HEATER CONTROL BETWEEN FORMERS F & G (V9511) (Cont'd)							
	8S1748	SWITCH, GROUP				2	—		
	752SS6000	Consisting of:—							
5CW/4184	—	Label, "On"				1	—	B	22/22
	—	Switch				1	—		
	9S1748	SWITCH, GROUP				1	—		
	752SS6000	Consisting of:—							
5CW/4221	—	Label, "On"				1	—	B	22/23
	—	Switch				1	—		
	25V5348	Switch, 10-20 amp, 1 pole-4 position (5CW/4306 modified)				1	—		22/42
	1S1901	PANEL, CONTROL, IN NOSE PORTION, GROUP				1	—		22/43
		Spares for:—							
5L/439	—	Filament				4	—	B	22/44
5CX/2783	—	Lampholder				4	—	B	22/45
4501	2S1901	PANEL, LESS EQUIPMENT, GROUP				1	—	C	
5CZ/2486	—	Panel, control, type "E"				1	—	A	22/46
5CY/2866	—	Suppressor, type "B4"				1	—	A	22/47
	1V8866	PANEL, BELOW FLOOR AT FORMERS F & G, GROUP				1	—		22/48
		Spares for:—							
5H/9402803	—	Block, terminal				2	—	C	22/49
	349V5630	Cable, at inverter				1	—		22/53
28E/8185	AGS605/3	Clip, hose, at inverter				2	—	C	
28E/9429610	AGS605/2	Clip, hose, at intake				2	—	C	
	17V8866	Connector, coolant intake				1	L54/L59		
5H/9	—	Cover, terminal blocks				2	—	C	22/51
	14V8866	Hose, 1.5" i/d x 2½" long, at intake				1	—		
	16V8866	Hose, 2.375" i/d x 2.375" long, at inverter				1	—		
5UB/5758	—	Inverter, type 103 (Pre.Mod. 825)				1	—	A	
5UB/6731	—	Inverter, type 103A (Mod. 825)				1	—	A	22/50
5UB/4938	—	Inverter, type 100A.				1	—	A	22/52
	268V4424	Label, T.B.268				1	—		
	269V4424	Label, T.B.269				1	—		
	2V8866	PANEL, MOUNTING, GROUP				1	—		
		Spares for:—							
	47SS6000	Label, No. 1 Engine				1	—		
	48SS6000	Label, No. 2 Engine				1	—		
	49SS6000	Label, No. 3 Engine				1	—		
	50SS6000	Label, No. 4 Engine				1	—		
5H/124	—	Socket, single				7	—	C	22/57
5H/9402799	—	Socket, double				3	—	C	22/56
5CW/4261	—	Switch, methanol coolant pressure				4	—	A	22/54
5UC/4939	—	Unit, control				1	—	A	22/59

EQUIPMENT (AIRCRAFT)
INSTRUMENT PANELS

Ref. No.	Part No.	Description				No. off	Matl. Spec.	Cl. of St.	Plate and Illust'n No.
		1	2	3	4			M.R.	
		PANEL, INSTRUMENTS AND FRAMES PILOTS IN FUSELAGE FRONT CENTRE PORTION, GROUP (S1824)				1	—		
	1S2391	Spares for :—							
		PANEL, SIDE, PILOT'S INSTRUMENT, PORT, GROUP (Mod. 771)				1	—		23/60
	82V5505	Spares for :—							
		CABLE, LOOM, GROUP				1	—		
6A/2197	—	Clock				1	—	A	23/61
6A/2689	—	Gauge, brake pressure				2	—	A	23/62
	752SS6000	Label (On)				1	—		
		PANEL, SIDE LESS INSTRUMENTS, GROUP (S2391)				1	—		
		Consisting of :—							
	4S2390	Angle				1	L72		
	3S2391	Channel, stiffener				1	DTD213		
	13S1811	Channel, stiffener				1	& L54 DTD213		
	76SS6001	Label, (Parking Brakes)				1	L54		
	77SS6001	Label (Taxying Landing Lamps Port Lamps off Normal High)				1	—		
	78SS6001	Label (U/V Lighting)				1	—		
	79SS6001	Label (Red Lighting)				1	—		
	115SS6001	Label (Port)				1	—		
	116SS6001	Label (Starboard)				1	—		
	146SS6001	Label (Brake Pressure)				1	—		
	2S2391	Plate				1	L72		
	3aSS3500	Rivet, BIF				12	—		
28Q/10407	AS2228/404	Rivet				4	—	C	
28Q/6640	AS2229/404	Rivet, snap hd.				11	—	C	
	AT31154	Spring				1	—		23/63
5CW/936	—	Switch, lighting				1	—	B	23/64
5CW/2530	—	Switch, dimmer				1	—	A	23/65
5CW/2525	—	Switch, dimmer				1	—	A	23/66
5CW/4179	—	Switch, required in conjunction with label 752SS6000				1	—	B	23/67
	Dunlop AC11216	Univalve				1	—	A	23/68
27VA/3905	—	Unit, control				1	—	A	
10L/208		PANEL, SIDE, PILOT'S INSTRUMENT, STARBOARD, GROUP (Mod. 771)				1	—		23/70
	1S2390	Spares for :—							
	9W985	CABLE, GROUP				1	—		23/71
	BOWDEN 19/1	Consisting of :—							
29H/1859		Cable, 145.3" long				1	—	C	

**EQUIPMENT (AIRCRAFT)
INSTRUMENT PANELS**

Ref. No.	Part No.	Description				No. off	Matl. Spec.	Cl. of St.	Plate and Illust'n No.
		1	2	3	4			M.R.	
		PANEL, SIDE PILOT'S INSTRUMENT STARBOARD, GROUP (1S2390) (Con'td)							
29H/1870	Bowden B/1				Cover, for cable, 11'-5" long ...	1	—	C	
29H/919	Bowden PN979B				Ferrule	2	—	C	
5D/657	—				Handle, jettison pull	1	—	A	
	Bowden PN1399				Nipple	1	—		
29H/1903	Bowden PN484				Stop, adjusting	1	—	C	
	705SS6001				Label (Morse)	1	—		
	706SS6001				Label (Steady)	1	—		
	750SS6000				Label (On)	3	—		
	752SS6000				Label (On)	1	—		
	—				PANEL, LESS INSTRUMENTS, PILOT'S SIDE, GROUP (S2390)	1	—		
					Consisting of :—				
	4S2390				Angle	1	L72		
	5S2390				Channel, stiffener	1	DTD213 & L54		
	9S1815				Channel, stiffener	1	DTD213 & L54		
	78SS6001				Label (U/V Lighting)	1	—		
	79SS6001				Label (Red Lighting)	1	—		
	99SS6001				Label (Pitot Head)	1	—		
	100S6001				Label (Pitot Head Test)	1	—		
	101SS6001				Label (Bomb Jettison Pull)	1	—		
	561SS6004				Label (Navigation and Taxying Lamps)	1	—		
	103SS6001				Label (Low-Off-High)	1	—		
	105SS6001				Label (Landing Lamps)	1	—		
	106SS6001				Label (Ext-Morse Ident.)	1	—		
	2S2390				Panel	1	L72		23/80
	3aSS3500				Rivet, bifurcated	20	—		
28Q/10407	AS2228/404				Rivet, mush.hd, $\frac{1}{8}$ " x $\frac{1}{4}$ " long ...	4	—	A	
28Q/6640	AS2229/404				Rivet, 90° csk.hd, $\frac{1}{8}$ " dia. x $\frac{1}{4}$ " long	11	—	A	
5CY/959	—				Plug	1	—	A	23/72
5CY/587	—				Socket	1	—	A	23/74
5CW/4179	—				Switch	1	—	B	23/67
5CW/4199	—				Switch	1	—	B	23/75
5CW/4198	—				Switch, required in conjunction with Label 750SS6000	1	—	B	23/76
5CW/4220	—				Switch, required in conjunction with Labels 705 & 706SS6001	1	—	B	23/77
5CW/936	—				Switch	1	—	B	23/64
5CW/4223	—				Switch, required in conjunction with Label 750 & 759SS6000	2	—	B	23/78
5CW/2525	—				Switch, dimmer	1	—	A	23/66
5CW/2531	—				Switch, dimmer	1	—	A	23/79

SHACKLETON Mk. 2

**EQUIPMENT (AIRCRAFT)
INSTRUMENT PANELS**

Ref. No.	Part No.	Description				No. off	Matl. Spec.	Cl. of	Plate and Illust'n No.
		1	2	3	4			St. M.R.	
		PANEL, INSTRUMENT, PILOT'S (S1824) (Cont'd)							
	1S2626	PANEL, CENTRE PILOT'S INSTRUMENT FIXED, GROUP (Mod. 953)				1	—		23/81
	85V5505	Spares for :— CABLE, LOOM, GROUP				1	—		
14687	7S1800	Chain (chandelier), at switch cover				1	—		
	12S1800	Cover , switch				1	—	B	
		Spares for :—							
	12aS1800	Cover				1	—		
	420SS6002	Label				1	—		
5L/107	421SS6002	Label				1	—		
	—	Filament				1	—	B	23/82
	1S1800	Guide , cover				1	—		
5CW/4227	—	Guard				1	—	C	23/83
6A/2136	—	Indicator , position				1	—	A	23/84
5CZ/5074	C457/EBA/5	Indicator , magnetic "up" (Smiths)				1	—	A	23/85
5CZ/	C457/EBA/15	Indicator , magnetic "open" (Smiths)				1	—	A	23/8
5CX/4204	—	Indicator , undercarriage				1	—	B	23/86
5CW/4214	C1223Y/MK5	Lever , switch (Flaps) (Dowty)				1	—	A	23/87
5CW/4309	C1223Y/MK6	Lever , switch (Bomb Doors) (Dowty)				1	—	A	23/88
5CW/4222	—	Lock , switch				1	—		
		PANEL, CENTRE, LESS INSTRUMENTS FIXED, GROUP (S2626)							
		Consisting of :—							
	926SS6000	Label (Bomb Door Indicator)				1	—		
	927SS6000	Label (A.S.V. Retracted)				1	—		
	604SS6001	Label (Undercarriage)				1	—		
	692SS6001	Label (Jettison, Photoflash, etc.)				1	—		
	2S2626	Plate				1	L72		
	12S2574	Piece , distance				2	BSS668		
5CW/6986	C7601/Y	Switch , solenoid operated				1	—	B	23/89
5CW/4225	—	Switch (photoflash)				1	—	B	23/41
5CW/4221	—	Switch , used with label 692SS6001				1	—	B	23/23
5CW/4184	—	Switch , used with labels 420 and 421SS6002				1	—	B	
	1S1799	PANEL, CENTRE, PILOT'S INSTRUMENT, FLEXIBLE, GROUP				1	—		23/91
		Spares for :—							
4911	4S1799	Adaptor				4	—	C	
	CZ61568	Elbow , "B" size				1	—		
6A/2683	—	Gauge , boost				4	—		23/92
6A/1299	—	Indicator , engine				4	—	A	23/93
		PANEL, CENTRE, LESS INSTRUMENTS FLEXIBLE, GROUP (S1799)							
		Consisting of :—							
28N/254	AGS191/B	Burr				16	—	C	
28FP/204	A16 $\frac{1}{2}$ /40	Fastener				4	—	C	
28FP/316	GA6 $\frac{1}{2}$ /375	Grommet				4	—	C	
	885SS6000	Label (No. 1 Engine)				1	—		
	886SS6000	Label (No. 4 Engine)				1	—		
	907SS6000	Label (No. 2 Engine)				1	—		
	908SS6000	Label (No. 3 Engine)				1	—		
	3S1799	Plate				1	L72		
4767	31P2190	Pipe , flexible				4	Flylite No. 4	A	23/307
6A/3117	—	Synchroscope (K301-02)				1	—	A	23/94

EQUIPMENT (AIRCRAFT)
INSTRUMENT PANELS

Ref. No.	Part No.	Description				No. off	Matl. Spec.	Cl. of St.	Plate and Illust'n No.
		1	2	3	4			M.R.	
		PANEL, INSTRUMENT, PILOTS (S1824) (Cont'd)							
	1S2288	PANEL, BLIND FLYING, PORT, GRP. Spares for :—				1	—		23/95
6A/3155	—	Altimeter				1	—	A	23/96
110QB/6	—	Altimeter, radio (See Radio & Radar—A.Y.F. Installation)				1	—	A	23/105
5CZ/430	—	Block, terminal				1	—	B	
6A/1680	—	Box, connector				1	—	A	23/97
	24V5505	CABLE, GROUP				1	—		
	23V5505	CABLE, GROUP				1	—		
	80V5505	CABLE, GROUP (Mod. 771) ...				1	—		
	72V5505	CABLE, GROUP				1	—		
6A/1992	—	Compass, gyro				1	—	A	23/99
6A/2905	—	Connector, suction				1	—	B	
	THORN	Filament, panel, midget, 28 V. ...				1	—	B	23/125
5L/9959118	—	Filament				5	—	B	23/98
5L/1928	—	Guard, abandon A/C switch				2	L72	C	
4809	10S2568	Holder, card				1	—		23/127
	1SS2081	Horizon, artificial				1	—	A	23/100
6A/3827	—	Indicator, zero reader flight				1	—	A	23/111
6A/3119	—	Indicator, magnetic flag				1	—	B	23/8
5CZ/5075	—	Indicator, air speed				1	—	A	23/101
6A/4720	—	Indicator, electric, type 7				2	—	A	23/109
10Q/61	—	(See Radio & Radar—A.R.I. 18157) ...							
6A/3371	—	Indicator, turn and slip				1	—	A	23/103
10Q/16314	—	Indicator, D.F. bearing, type 1630 (Mod. 988) (See Radio & Radar—Radio Compass Installation)				1	—	A	23/104
6A/7677	—	Indicator, rate of climb Mk. 3Q ...				1	—	A	23/102
	THORN	Lamp, pillar				1	—	B	23/124
5CX/5364	180/10/0328	Lamp, warning, green				1	—	B	23/108
5CX/1552	—	Lamp, warning, red				3	—	B	23/106
5CX/1553	—	Lamp, warning, clear				1	—	B	23/107
5CX/1645	—	Lock, master firing switch				1	—	B	
5CW/4222	—	Panel, zero reader control				1	—	A	23/123
oA/4417	—								
		PANEL, LESS INSTRUMENTS, GROUP (S2288) Spares for :—							
	60S1594	Bracket, terminal block				1	—		
28FP/204	AJ6½/40	Fastener				4	—	C	
28FP/316	GA6½/375	Grommet				4	—	C	
	691SS6004	Label (Compass Light etc.)				1	—		
	540V4424	Label (T.B.540)				1	—		
	692SS6004	Label (Flare Head—Master Firing) ...				1	—		

**EQUIPMENT (AIRCRAFT)
INSTRUMENT PANELS**

Ref. No.	Part No.	Description				No. off	Matl. Spec.	Cl. of St.	Plate and Illust'n No.
		1	2	3	4			M.R.	
	1S2335	PANEL, BLIND FLYING, STBD. ...				1	—		23/112
		Spares for :—							
	12S1452	Adaptor				1	—		23/113
6A/3155	—	Altimeter				1	—	A	23/96
5CZ/430	—	Block, terminal				1	—	B	
6A/1680	—	Box, connector				1	—	A	23/97
	73V5505	CABLE, GROUP				1	—		
6A/1992	—	Compass, gyro				1	—	A	23/99
	THORN	Filament, panel, midget				1	—	B	23/125
5L/9959118	—	Holder, card				1	—		23/127
	1SS2081	Indicator, air speed				1	—	A	23/101
6A/4720	—	Indicator, turn and slip				1	—	A	23/102
6A/3371	—	Indicator, rate of climb, Mk. 3Q				1	—	A	23/103
6A/7677	—	Indicator, zero reader				1	—	A	23/111
6A/3119	—	(See Radio & Radar—Zero Reader Installation)							
5CX/5364	THORN 180/10/0328	Lamp, pillar				1	—	B	23/124
		PANEL, LESS INSTRUMENTS GROUP (S2335)							
		Spares for :—							
	60S1594	Bracket, terminal block				1	—		
28FP/204	AJ6 $\frac{1}{2}$ /40	Fastener				4	—	C	
28FP/9415888	GA6 $\frac{1}{2}$ /375	Grommet				4	—	C	
	541V4424	Label (T.B.541)				1	—		
	10S2335	Panel, plate				1	L72		
	8S1818	Plate, background				1	L72		
32C/472	7S2335	Pipe, flexible, 24" long				2	DTD251D		
32C/142	8S2335	Pipe, braided, flexible, 20" long				1	DTD373A		
	11S2335	Pipe, A.S.I. to rate of climb indicator				1	L54		
	12S2335	Pipe, A.S.I.				1	L54		
	13S2335	Pipe, A.S.I. to altimeter				1	L54		
	14S2335	Pipe, static, to altimeter				1	L54		
5496	14S1816	PIPE, SUCTION, GROUP				1	T.7	C	
	8S1748	SWITCH, GROUP				1	—		
		Consisting of :—							
26DC/2841	752SS6000	Label, "On"				1	—	C	
5CW/4184	—	Switch				1	—	B	23/22
6A/5035	—	Unit, horizon gyro				1	—	A	23/100

SHACKLETON Mk. 2

**EQUIPMENT (AIRCRAFT)
INSTRUMENT PANELS**

Page 279b

Ref. No.	Part No.	Description				No. off	Matl. Spec.	Cl. of St.	Plate and Illust'n No.
		1	2	3	4			M.R.	
	1S2321	PANEL, SWITCH, ON PILOT'S COAMING, IN FUSELAGE FRONT CENTRE PORTION, STARBOARD, GROUP				1	—		
		Spares for :—							
5K/2724	—	Cover, push switch	6	—	C	23/114
5L/9951130	—	Filament, lamp below panel	1	—	B	23/35
5L/9951283	—	Filament, lamp below panel	1	—	B	23/130
5L/9952261	—	Filament, for side lamps	2	—	B	
5L/107	—	Filament, for feathering switches	4	—	B	23/132
5CX/2680	—	Lamp, holder, side	2	—	B	
5CX/4058	—	Lamp, below panel	2	—	B	23/115
		PANEL, LESS SWITCHES, GROUP (S2321)							
		Spares for :—							
	3S2321	BRACKET, GROUP	1	—		
	4S2321	Bracket, lamp, port (Mod. 771)	1	BS265		
	5S2321	Bracket, lamp, starboard (Mod. 771)	1	BS265		
	888SS6000	Label (Starboard)	1	—		
	887SS6000	Label (Port)	1	—		
	526SS6004	Label (ON)	4	—		
	293SS6002	Label (Master Fuel Cock No. 1 & 2)	1	—		
	294SS6002	Label (Master Fuel Cock No. 3 & 4)	1	—		
	2S2321	Panel, bare	1	L72		
5CX/2678	—	Reflector, side lamp	2	—	B	
5CX/3430	—	Screen	1	—	C	23/116
5CW/4360	—	Switch, feathering	4	—	A	23/118
5CW/540	—	Switch, push	6	—	B	23/117
5CW/715	—	Switch, multiple master control	2	—	A	23/131
	7S1747	SWITCH, GROUP	4	—		
		Consisting of :—							
26DC/2841	752SS6000	Label (ON)	1	—		
5CW/4179	—	Switch	1	—	B	23/67

SHACKLETON Mk. 2

Page 280

EQUIPMENT (AIRCRAFT)
INSTRUMENT PANELS

Ref. No.	Part No.	Description				No. off	Matl. Spec.	Cl. of St.	Plate and Illust'n No.
		1	2	3	4			M.R.	
	1V5782	PANEL, INSTRUMENT INTERCOMM. AND LIGHTING AT PILOT'S FLOOR, STARBOARD, IN CENTRE PORTION, GROUP				1	—		23/119
5L/9952254	—	Spares for :—							
5CX/366	—	Filament	1	—	A	23/120
	—	Lamp, cockpit	1	—	B	23/121
	2V5782	PANEL, LESS INSTRUMENTS, GROUP				1	—		
5CW/724	—	Switch, dimmer	1	—	A	23/19
10L/209	—	Unit, control	1	—	A	23/122
	1S1747	PANEL, INSTRUMENT, FLIGHT ENGINEERS, FUSELAGE FRONT CENTRE PORTION, GROUP				1	—		24/123
		Spares for :—							
5CY/2561	—	Breaker, circuit	4	—	A	24/124
	1V5605	CABLE, LOOM, GROUP				1	—		
6A/2239	—	Gauge, temperature, charge	4	—	A	24/125
6A/1565	—	Gauge, temperature, radiator	4	—	A	24/126
6A/1479	—	Gauge, temperature, oil	4	—	A	24/127
6A/2201	Smiths 1226FG	Gauge, fuel	1	—	A	24/128
6A/2198	Smiths 1220FG	Gauge, fuel	2	—	A	24/129
6A/2119	Smiths 1117FG	Gauge, fuel	2	—	A	24/130
6A/2206	Smiths 1118FG	Gauge, fuel	2	—	A	24/131
5C/	Smiths C457/EBA	Indicator, magnetic	9	—	A	24/132
5C/	Smiths C457/EBA/1	Indicator, magnetic	13	—	A	24/133
5C/	Smiths C457/EBA/2	Indicator, magnetic	9	—	A	24/28
		PANEL, LESS INSTRUMENTS, FLIGHT ENGINEER'S, GROUP (S1747)				1	—		
		Consisting of :—							
28FP/159	Dzus A5/40	Fastener	1	—	C	
28FP/156	Dzus A5/35	Fastener	2	—	C	
28FP/9425771	Dzus GA5/312	Grommet	3	—	C	
	961SS6000	Label (Generator Failure Indicator)	1	—		
	981SS6000	Label (Normal Clean)	1	—		
	967SS6000	Label (Supercharger)	1	—		
	968SS6000	Label (Water Methanol)	1	—		
	589SS6001	Label (Pump Test Socket)	1	—		
	969SS6000	Label (Galley Isolation Switch)	1	—		
	972SS6000	Label (Drop Tank Contents)	1	—		
	971SS6000	Label (Cabin Heater Fuel Supply)	1	—		
	970SS6000	Label (Air Cleaner)	1	—		
	973SS6000	Label (Drop Tank Pump Switch)	1	—		

SHACKLETON Mk. 2

EQUIPMENT (AIRCRAFT)

INSTRUMENT PANELS

Ref. No.	Part No.	Description				No. off	Matl. Spec.	Cl. of St. M.R.	Plate and Illust'n No.
		1	2	3	4				
		PANEL, LESS INSTRUMENTS, FLIGHT ENGINEER'S, GROUP (S1747) (Cont'd)							
	976SS6000	Label	(Pump Switches and Selector Cocks, Starboard)			1	—		
	974SS6000	Label	(Fuel Tank Contents)			1	—		
	977S6000	Label	(Cross Feed)... ..			3	—		
	978SS6000	Label	(Centre)			1	—		
	975SS6000	Label	(Pump Switches and Selector Cock, Port)			1	—		
	964SS6000	Label	(Master Engine Cock Indicators) ...			1	—		
	963SS6000	Label	(Supercharger Indicators)			1	—		
	962SS6000	Label	(Generator Field Circuit Breakers)			1	—		
	208SS6001	Label	(Supply Electrically Driven Instruments)			1	—		
	2S1747	Panel			1	DTD610		
	2bSS3500	Rivet, bifurcated			44	—		
5H/125	—	Socket, terminal			14	—	A	24/56
5CY/587	—	Socket			1	—	A	24/74
5CW/479	—	Switch			2	—	B	24/67
	4S1747	Switch (Using TD.2 switch)			4	—	A	24/134
5CW/4184	—	Switch, required in conjunction with Labels 979 & 980SS6000				5	—	B	24/22
5CW/4223	—	Switch, required in conjunction with Label 750SS6000				7	—	B	24/78
5CW/4179	—	Switch, required in conjunction with Label 752SS6000				9	—	B	24/67
	8S1384	Switch (Using TD. 2 switch)			4	—	A	24/135
5CW/4198	—	Switch, required in conjunction with Label 750SS6000				1	—	B	24/76
5CW/4323	—	Switch, required in conjunction with Label 359SS6000				1	—	B	24/90
5CW/3753	—	Switch, relay			1	—	A	24/136
5U/1693	—	Voltmeter			1	—	A	24/137
	1S1797	PANEL, INSTRUMENT FIXED, FLIGHT ENGINEER'S, IN FUSELAGE FRONT CENTRE PORTION, GROUP				1	—		24/138
	Saunders 2670Q	Spares for :—							
27F/1985	—	Cock, vacuum			1	—	A	24/139
6A/2235	—	Gauge, oil pressure			4	—	A	24/140
6A/2696	—	Gauge, suction...			1	—	A	24/141
6A/2689	—	Gauge, pressure emergency			1	—	A	24/142
6D/820	—	Indicator, Oxygen Air Flow...			1	—	A	24/143
6B/293	—	Indicator, air mileage			1	—	A	24/144
6A/1548	—	Meter, fuel			2	—	A	24/145
	—	PANEL, LESS INSTRUMENT, FLIGHT ENGINEER'S, FIXED, GROUP (S1797)				1	—		
	—	Consisting of :—							
27FP/156	A5/35	Fastener			4	—	C	
27FP/310	GA/312	Grommet			4	—	C	
	902SS6000	Label (Vacuum Gauge)			1	—		
	903SS6000	Label (Vacuum Change Over)			1	—		
	904SS6000	Label (Emergency Air U/C and Flaps)			1	—		
	394SS3675	Label (Emergency-Normal)			1	—		
	2S1797	Panel			1	DTD610		
	2bSS3500	Rivet, bifurcated			9	—		

EQUIPMENT (AIRCRAFT)
INSTRUMENT PANELS

Ref. No.	Part No.	Description				No. off	Matl. Spec.	Cl. of St.	Plate and Illust'n No.
		1	2	3	4			M.R.	
								24/146	
								24/147	
	1S1748				1	—		24/148	
	1V5513				1	—			
5LX/951114	—				2	—	A	24/149	
6A/2838	Smiths 1386FG				1	—	A	24/150	
6A/2839	Smiths 1388FG				1	—	A	24/151	
4809	14S1748 10S2568				6	—	C		
5C	Smiths C457/EBA/1				4	—	A	24/152	
	—				1	—			
27FP/191	AJ4/30				4	—	C		
27FP/309	GA4/250				4	—	C		
13106	1SS2877				1	—	C		
	6S2568				1	—			
	871SS6000				1	—			
	872SS6000				1	—			
	873SS6000				1	—			
	874SS6000				1	—			
	875SS6000				1	—			
	876SS6000				1	—			
	878SS6000				1	—			
	879SS6000				1	—			
	276SS6001				1	—			
	881SS6000				1	—			
	588SS6001				1	—			
	2S1748				1	DTD610			
28Q/10566	AS2230/303				11	—	C		
	2bSS3500				26	—			
5CY/587	—				1	—	A	24/74	
5CW/4182	—				4	—	B	24/153	
5CW/4225	—				8	—	B	24/41	
5CW/4198	—				2	—	B	24/76	
5CW/4221	—				5	—	B	24/23	
5CW/4184	—				8	—	B	24/22	
5CW/4178	—				4	—	B	24/154	
5C/4207	—				1	—	A	24/155	

SHACKLETON Mk. 2

**EQUIPMENT (AIRCRAFT)
INSTRUMENT PANELS**

Ref. No.	Part No.	Description				No. off	Matl. Spec.	Cl. of St.	Plate and Illust'n No.
		1	2	3	4			M.R.	
	1S2664	PANEL, FORWARD, NAVIGATOR'S IN FUSELAGE, FRONT, CENTRE PORTION, GROUP (Mod. 988)							
	1T5454	Spares for :— BACKPLATE, FOR CONTROLLER, GROUP				1	—		
		Spares for :—							
	0400052000	Cup, index (Cannon Elect.)	4	—			
	2170691000	Nut, index (Cannon Elect.)	4	—			
	9900000588	Nut, dome (Cannon Elect.)	4	—			
28M/10326	AGS2002/A1	Nut, stiff	2	—		C	
	2270656000	Plate, face (Cannon Elect.)	1	—			
	2310005000	Post, mounting	4	—			
28S/1200058	A33/A12	Screw	2	—		C	
	2590320000	Spring (Cannon Elect.)	4	—			
28W/9419464	SP13/A	Washer	2	—		C	
10L/16814	—	Controller, type 3026	1	—		A	
	8bS2118	Fairlead, for W.F.A. lead	1	—		B	
5L/9951273	—	Filament, for warning lamp	1	—		A	
10Q/16249	—	Indicator, impulse counter	1	—		A	
		(See Radio and Radar Blue Silk Installation)							
10Q/16355	—	Indicator, type 9547	1	—		A	
10Q/16739	—	Indicator, bearing, type No. M19	1	—		B	
5CX/1069	—	Lamp, warning	1	—			
		PANEL, LESS EQUIPMENT, GROUP (2SS2664)							
		Spares for :—							
28FP/156	A5/35	Fastener (Dzus)	6	—		C	
28FP/9425771	GA5/312	Grommet (Dzus)	6	—		C	
	44SS6005	Label (W.F.A. Stowage)	1	—			
	474SS6002	Label (Call)	1	—			
	S4/560	Spring (Dzus)	4	—		C	
10L/16324	—	Unit, control, type 9273	1	—		A	
	1S2665	PANEL, AFT, NAVIGATOR'S IN FUSELAGE, FRONT, CENTRE PORTION, GROUP (Mod. 988)				1	—		
		Spares for :—							
6A/3155	—	Altimeter	1	—		A	
6B/556	—	Holder, card	1	—		B	
10Q/61	—	Indicator, electric, type 7	1	—		A	
6A/1294	—	Indicator, air speed	1	—		A	
6B/1996	—	Indicator, master compass, type G4B	1	—		A	
	160S1823	Pipe, between A.S.1 and altimeter	1	—			
		PANEL, LESS EQUIPMENT, GROUP (2S2665)							
		Spares for :—							
	193SS6005	Label (Hamer RT/SB)	1	—			
	208SS6005	Label (Blue Silk)	1	—			
28FP/156	A5/35	Fastener (Dzus)	7	—		C	
28FP/9425771	GA5/312	Grommet (Dzus)	7	—		C	
	X11141	Unit, control	1	—			
5Q/25708	—	Voltmeter	1	—		A	

**EQUIPMENT (AIRCRAFT)
INSTRUMENT PANELS**

Ref. No.	Part No.	Description				No. off	Matl. Spec.	Cl. of St.	Plate and Illust'n No.
		1	2	3	4			M.R.	
	1S2290	PANEL, BOMB AIMER'S AT NAVIGATOR'S STATION, GROUP (Pre-Mod. 922)				1	—		25/161
		Spares for :—							
5CZ/868	—	Block, terminal	1	—	B	
5D/1066	—	Case, distributor	1	—	B	
5D/1067	—	Cover, distributor	1	—	B	
5D/1065	—	Distributor, auto bomb	1	—	A	25/162
	13S1545	FAIRLEAD, GROUP				2	—		
5CW/4222	—	Guard, muff door switch	1	—	C	
5CW/5765	—	Guard, bomb fusing switch	1	—	C	
5CZ/5073	—	Indicator, magnetic	1	—	A	25/8
		PANEL, LESS INSTRUMENTS, GROUP (S2290)							
		Spares for :—							
	210V4424	Label (T.B.210)	1	—		
	549SS6002	Label (Bomb Fusing, etc.)	1	—		
	550SS6002	Label (Muff Heating)	1	—		
	506SS6000	Label (Sono-Buoy Heating, etc.)	1	—		
	658SS6000	Label (Bomb Aimer)	1	—		
	82SS6001	Label (Nose and tail)	1	—		
	3S2290	PANEL, GROUP (Mod. 771)				1	—		
5D/1715	—	Plate, masking switch box	2	—	C	
5D/1328	—	Plate, locking firing switch	1	—	C	
5CW/2531	—	Switch, V.H.F.	1	—	A	25/163
5CW/2497	—	Switch, "Bomb Release"	1	—	A	25/317
5CW/2091	—	Switch, "S.B. Heating—off"	1	—	B	25/315
5CW/898	—	Switch, "S.B. Heating—Fl.Flt. Release"	2	—	B	25/316
5D/1062	—	Switch, "Firing"	1	—	A	25/30
5CW/4199	—	Switch, "Bomb Fusing"	1	—	B	25/21
5D/656	—	Switch, box, selector	2	—	A	25/29
5CW/844	—	Switch, P.B. for firing switch	1	—	B	25/31
	10S1818	SWITCH, GROUP				1	—		
		Consisting of :—							
	138SS6001	Label (open)	1	L59		
5CW/4184	—	Switch	1	—	B	25/22
	5S1748	SWITCH, GROUP (Pre-Mod. 690)				1	—		
		Consisting of :—							
	750SS6000	Label, "ON"	1	L59		
5CW/4198	—	Switch, D.P.	1	—	B	
	8S1731	SWITCH, GROUP (Mod. 690)				1	—		
		Consisting of :—							
	752SS6000	Label, "ON"	1	L59		
5CW/4184	—	Switch, S.P.	1	—	B	25/22
5CW/4331	—	Transfer, "OPEN"	1	—	C	

SHACKLETON Mk. 2

**EQUIPMENT (AIRCRAFT)
INSTRUMENT PANELS**

Ref. No.	Part No.	Description				No. off	Matl. Spec.	Cl. of St.	Plate and Illust'n No.
		1	2	3	4			M.R.	
	5S2290	PANEL, BOMB AIMER'S AT NAVIGATOR'S STATION, GROUP (Mod. 922)				1			
		Spares for :—							
5CZ/868	—	Block, terminal				1	—	B	
5X/9402802	—	Block, terminal				1	—	B	
5D/656	—	Box, selector switch				1	—	B	
		Attachments, Box, Ref. No. 5D/656							
28M/10274	AGS2001/B4	Nut, stiff				4	—	C	
28S/2413	A44/B16	Screw				4	—	C	
5D/1066	—	Case, distributor				1	—	C	
13094	4SS3315	Clip, at panel back for bomb firing cable ...				1	—	C	
5X/9402796	—	Cover, terminal block				1	—	C	
5D/1067	—	Cover, distributor				1	—	B	
5D/1065	—	Distributor, auto bomb				1	—	A	
	13S1545	FAIRLEAD, GROUP				2	—	C	
5CW/4222	—	Guard, muff door switch				1	—	C	
5CW/5765	—	Guard, bomb fusing switch				1	—	C	
13930	13SS3529	Grommet				1	—	C	
26EA/17871	14SS3529	Grommet				9	—	C	
5CZ/5073	—	Indicator, magnetic				1	—	A	
		Spares for :—							
5CW/4331	—	"Transfer"				1	—	C	
		PANEL, LESS EQUIPMENT, GROUP (4S2290)							
		Spares for :—							
	549SS6002	Label (Bomb Fusing, etc.)... ..				1	—	C	
	658SS6000	Label (Bomb Aimer)				1	—	C	
	82SS6001	Label (Nose and Tail)				1	—	C	
	684SS6002	Label (Nose Flare Release) (Mod. 558) ...				1	—	C	
	902SS4000	Label (Flame Float Release)				1	—	C	
	798SS6005	Label (Sono-buoy and Lifeboat) (Mod. 674)				1	—	C	
	562V6424	Label, at terminal block				1	—	C	
	265SS6006	Label (Muff Doors, etc.)				1	—	C	
	266SS6006	Label (Torpedo Warning)				1	—	C	
	210V4424	Label, at terminal block				1	—	C	
28DC/2841	752SS6000	Label (On)				1	—	C	
5D/1715	—	Plate, masking switch box				2	—	C	
5D/1328	—	Plate, locking firing switch				1	—	C	
5X/9994577	—	Socket, terminal				1	—	C	
5X/9402799	—	Socket, terminal				1	—	C	
5CW/6433	—	Switch, "Isolating Switches"				3	—	B	
5CW/2497	—	Switch, "Bomb Release"				1	—	A	
5CW/2091	—	Switch, "S.B. Heating-Off"				1	—	B	
5CW/898	—	Switch, "S.B. Heating-Fl. Ft. Release" ...				1	—	B	
5D/1062	—	Switch, "Firing"				1	—	A	
5CW/4199	—	Switch, "Bomb Fusing"				1	—	A	
5CW/844	—	Switch, "P.B. for Firing Switch"				1	—	B	
	10S1818	SWITCH, GROUP				1	—		
		Consisting of :—							
	138SS6001	Label (Open)				1	L59		
5CW/4184	—	Switch, "S.P."				1	—	B	

EQUIPMENT (AIRCRAFT)

INSTRUMENT PANELS

Ref. No.	Part No.	Description				No. off	Matl. Spec.	Cl. of St.	Plate and Illust'n No.
		1	2	3	4			M.R.	
		PANEL, INTERCOMM. BELOW NAVIGATOR'S TABLE (T4702) (Cont'd)							
	8S1731	SWITCH, GROUP (Mod. 690) ...				1	—		
		Consisting of :—							
26DC/2841	752SS6000	Label (On) ...				1	L59	C	
5CW/4184	—	Switch, "S.P." ...				1	—	B	
5CW/4331	—	Transfer, for magnetic indicator ...				1	—	C	
5X/9402795	—	Cover, T.B.592...				1	—	C	
14304	7T4814	Fairlead ...				1	—	C	25/319
2043	19SS3529	Grommet ...				1	—	C	25/320
	511SS6000	Label, "No. 1 V.H.F. Test Point" ...				1	—		25/187
	512SS6000	Label, "No. 2 V.H.F. Test Point" ...				1	—		25/188
	16T3113	Lead, bonding ...				3	—		
	2T4702	PANEL, HINGED, LESS EQUIPMENT, GROUP				1	—		
		Spares for :—							
14305	9T4702	CABLE, CHECK, GROUP ...				3	—	C	
28FP/688	A6½/40	Fastener ...				5	—	C	
28FP/316	GA6½/375	Grommet ...				5	—	C	
10H2206	—	Socket, mic-tel, type 359 ...				2	—	B	
10F/17287	—	Unit, relay, type 102A ...				1	—	A	25/325
5CW/3943	—	Unit, relay, type S.2 ...				1	—	A	25/326
	1T5239	PANEL, WIRELESS OPERATOR'S, IN FUSELAGE FRONT CENTRE PORTION, GROUP (Mod. 978)				1	—		
		Spares for :—							
5X/9402147	—	Block, terminal, T.B.548 ...				1	—	C	
5X/9402792	—	Block, terminal, T.B.551 ...				1	—	C	
5X/9045	—	Busbar, for 5H/75 ...				1	—	C	25/197
5X/9039	—	Busbar, for 5H/74 ...				1	—	C	25/198
6A/839	—	Clock, Mk. 3B ...				1	—	A	25/191
5X/9402795	—	Cover, T.B.548...				1	—	C	
5X/9435997	—	Cover, T.B.551...				1	—	C	
5L/9951273	—	Filament, for warning lamp ...				1	—	B	25/202
5X/9026	—	Fusebox, 12-way ...				1	—	C	25/196
5X/9025	—	Fusebox, 6-way ...				1	—	C	25/199
10H/21799	—	Fuse, 10 amp. (Mod. 988) ...				1	—	C	
5CZ/5218	—	Fuse, 20 amp. H.R.C. ...				1	—	B	
5CZ/880	—	Fuse, 5 amp ...				10	—	C	
5CX/1069	—	Lamp, warning ...				1	—	B	25/200
5X/9402800	—	Link, commoning ...				2	—	C	
	2T5239	PANEL, C/W LABELS, LESS EQUIPMENT, GROUP				1	—		25/190
5X/9402798	—	Socket, for T.B.551 ...				2	—	C	
5X/9402799	—	Socket, for T.B.548 ...				3	—	C	
5CY/587	—	Socket, below switches ...				1	—	B	
5CW/4184	—	Switch, I.F.F. master and intercomm. amplifiers (conf.)				2	—	B	25/194
5CW/4182	—	Switch (H.F. supply) ...				1	—	B	25/203
5CW/4179	—	Switch, transmitter output ...				1	—	B	25/204
5CW/4199	—	Switch, intercomm. amplifiers (Normal) ...				1	—	B	
5CW/4221	—	Switch, emergency call, pilot ...				2	—	B	25/201
10L/16204	—	Unit, control ...				1	—	A	25/192
10L/16192	—	Unit, control, type 927 ...				1	—	A	25/205
	—	Unit, control, type C-1128/APx25 ...				1	—		25/206

SHACKLETON Mk. 2

**EQUIPMENT (AIRCRAFT)
INSTRUMENT PANELS**

Ref. No.	Part No.	Description				No. off	Matl. Spec.	Cl. of St.	Plate and Illust'n No.
		1	2	3	4			M.R.	
	5T2120	PANEL, WIRELESS OPERATOR'S SIDE IN FUSELAGE FRONT CENTRE PORTION, GROUP				1	—		25/207
10HA/593	—	Spares for :—							
10HA/8580	—	Cable, switch to earth				1	—	B	25/208
26DC/2841	752SS6000	Connector				1	—	B	25/209
		Label, " On "				1	—	C	
1304	—	PANEL, LESS INSTRUMENTS, GROUP (T2120)						A	25/309
		Consisting of :—							
13901	14SS3529	Grommet				1	—	C	25/14
2043	19SS3529	Grommet				1	—	C	25/210
	4T2120	Panel, bare				1	L72		
5CY/587	—	Socket				1	—	B	25/74
10H/2206	—	Socket, type 359				1	—	B	25/211
10F/126	—	Switch, type J				1	—	A	25/212
5CW/4221	—	Switch				1	—	B	25/23
10L/208	—	Unit, control, type 349				1	—	A	25/69
	1S2286	PANEL, SONO-BUOY, GROUP (Pre-Mod. 771)				1	—		26/218
		Spares for :—							
5CZ/868	—	Block, terminal				1	—	B	
5CZ/430	—	Block, terminal				4	—	B	
6A/2197	—	Clock, dashboard				1	—	A	26/332
6D/820	—	Indicator, flow, Mk. 3				1	—	A	26/331
	549SS3965	Label (Spare Lamp)				1	—		26/335
	3S2286	PANEL, LESS EQUIPMENT, GROUP				1	—		
		Spares for :—							
28FP/156	A5/35	Fastener				6	—	C	
28FP/9425771	GA5/312	Grommet				6	—	C	
5A/939	—	Socket, lamp				2	—	B	26/334
5CW/2452	—	Switch, dimmer				1	—	A	26/333
		PANEL, TACTICAL NAVIGATOR'S CONTROL, GROUP (T4696)							
		Spares for :—							
5K/2877	SP40/A8	Grommet				1	—	C	
	15T4696	PANEL, LESS EQUIPMENT, GROUP				1	—		
		Spares for :—							
	549SS3675	Label, " Spare Lamp for G.P.1."				1	—		
	474SS6002	Label, " Call "				1	—		
5A/936	—	Socket, lamp				2	—	B	

EQUIPMENT (AIRCRAFT)

INSTRUMENT PANELS

Ref. No.	Part No.	Description				No. off	Matl. Spec.	Cl. of St.	Plate and Illust'n No.
		1	2	3	4			M.R.	
	1V5468	PANEL, POWER "A", IN FUSELAGE FRONT CENTRE PORTION' GROUP				1	—		26/222
		Spares for :—							
5X/9402147	—	Block, terminal	1	—	C	26/223
6953	48SS1375	Bolt, $\frac{1}{4}$ " BSF	2	Brass	C	
5079	16S1616	Bolt, $\frac{5}{16}$ " BSF	1	Brass	C	
	T.K.S.								
5UE/4948	18110	Box, controller	1	—	A	26/224
	T.K.S.								
5UE/4949	15152	Box, controller	1	—	A	26/225
5CY/2559	—	Circuit-breaker, 5 amp.	1	—	A	26/226
5CY/2560	—	Circuit-breaker, 10 amp.	6	—	A	26/227
5CY/2561	—	Circuit-breaker, 15 amp.	2	—	A	26/228
5CY/2562	—	Circuit-breaker, 25 amp.	2	—	A	26/229
5CY/2563	—	Circuit-breaker, 35 amp.	1	—	A	26/230
5CY/2564	—	Circuit-breaker, 45 amp.	6	—	A	26/231
5CY/2566	—	Circuit-breaker, 80 amp.	2	—	A	26/232
5X/9402795	—	Cover, terminal block	1	—	C	26/233
	171V4424	Label, " TB 171 "	1	—		
	9V5468	Link, commoning	1	—		26/234
	14V5468	PANEL, LESS EQUIPMENT, GROUP				1	—		
		Spares for :—							
	526SS6000	Label (Resistance Unit-Sono Buoy)	1	DTD213		
	488SS6000	Label (Sono-Buoy Heating)	1	DTD213		
	692SS6000	Label (Propellers)	1	DTD213		
	693SS6000	Label (Mainplain-Tailplane Fins)	1	DTD213		
	828SS6000	Label (Forward Guns)	1	DTD213		
	829SS6000	Label (Resistance Unit-Forward Guns)	1	DTD213		
	43SS6005	Label (service)	1	L59		
5X/9402799	—	Socket, double tier	3	—	C	26/56
5CZ/2742	—	Unit, resistance	2	—	A	26/235
	1V5469	PANEL, POWER "B," STARBOARD, IN FRONT CENTRE PORTION, GROUP				1	—		26/236
	2V5469	PANEL, POWER "C," STARBOARD, IN FRONT CENTRE PORTION, GROUP				1	—		26/237
		Spares for :—							
5UB/4341	—	Ammeter, shunt	2	—	A	26/238
5079	16S1616	Bolt, $\frac{5}{16}$ " BSF	2	Brass	C	
5CY/2853	—	Circuit-breaker, Type "D"	2	—	A	26/239
5CY/4211	—	Cut-out, differential, type "A," Mk. 2	2	—	A	26/240
	16V5469	PANEL, POWER "B," LESS EQUIPMENT, GROUP				1	—		
	17V5469	PANEL, POWER "C," LESS EQUIPMENT, GROUP				1	—		
		Spares for :—							
	713aSS4000	Label (No. 1 Engine) (Panel "B")	1	DTD213		
	713bSS4000	Label (No. 2 Engine) (Panel "B")	1	DTD213		
	713cSS4000	Label (No. 1 Engine) (Panel "C")	1	DTD213		
	713dSS4000	Label (No. 2 Engine) (Panel "C")	1	DTD213		
	898SS6000	Label (Voltmeter Test—No. 1 Engine)	1	DTD213		
	899SS6000	Label (Voltmeter Test—No. 2 Engine)	1	DTD213		
5UC/2844	—	Regulator, voltage, type 23	2	—	A	26/241
5CY/3002	—	Socket	4	—	B	26/242

SHACKLETON Mk. 2

**EQUIPMENT (AIRCRAFT)
INSTRUMENT PANELS**

Ref. No.	Part No.	Description				No. off	Matl. Spec.	Cl. of St. M.R.	Plate and Illust'n No.
		1	2	3	4				
	1V8945	PANEL, POWER "D," STARBOARD, IN FRONT CENTRE PORTION, GROUP				1	—		26/243
5X/9000	—	Spares for :—				1	—	C	26/245
6953	7SS3642	Block, terminal				4	Brass	C	
5079	48SS1375	Bolt, 1/4" BSF				2	Brass	C	
5CY/2853	16S1616	Bolt, 5/16" BSF				1	Brass	C	
5CY/2568	—	Circuit-breaker, type "D"				2	—	A	26/246
5X/9001	—	Circuit-breaker, type "B"				1	—	A	26/249
	—	Cover, terminal block				1	—	C	26/244
	7V8945	PANEL, LESS EQUIPMENT, GROUP				1	—		
	703SS4000	Spares for :—				1	DTD213		
	724SS4000	Label (Mid Turret)				1	DTD213		
	914SS6000	Label (Master Relay switch)				1	DTD213		
	316SS6004	Label (Master Voltage Regulator)				1	L59		
	317SS6004	Label (201 Inverter No. 1)				1	L59		
5UC/2899	—	Label (201 Inverter No. 2)				1	L59		
5CW/4621	—	Regulator, master voltage, type 32... ..				1	—	A	26/247
5CZ/2742	—	Switch, master relay, type T.2				1	—	A	26/248
	—	Unit, resistance				1	—	A	26/340
	1V8863	PANEL, POWER "E," STARBOARD, IN FRONT CENTRE PORTION, GROUP				1	—		26/250
	5V8863	Spares for :—				1	—		
	8V8863	BLOCK, BUSBAR SUPPORT, AFT, GROUP				1	—		
	—	BLOCK, BUSBAR SUPPORT, FORWARD, GROUP				1	—		
5CZ/868	—	Block, terminal				1	—	B	26/251
5079	16S1616	Bolt, 5/16" BSF				2	Brass	C	
6953	48SS1375	Bolt, 5/16" BSF				3	Brass		
	7SS3642	Bolt, 1/4" BSF				1	Brass		
5CZ/549	—	Box, fuse				1	—	B	26/199
	3V8863	Carrier, fuse				1	BSS972		
5CY/2565	—	Circuit-breaker				1	—	A	26/252
	4aSS4205	Clip, cable				2	P.V.C.		
5CZ/550	—	Fuse				2	—	B	26/254
	150V4424	Label (T.B.150)				1	DTD213		
	13V8863	PANEL, LESS EQUIPMENT, GROUP (Mod. 771)				1	—		
	600SS6004	Spares for :—				1	L59		
	601SS6004	Label (A.S.V.21)				1	L59		
	602SS6004	Label (Blue Silk)				1	L59		
	704SS4000	Label (Flt. Insts.)				1	L59		
	825SS6001	Label (Galley)				1	DTD213		
	934SS6000	Label (Flash Back Relay)				1	L59		
	935SS6000	Label (Essential Services Main Fuse)				1	DTD213		
	—	Label (Accumulator Isolation Relay)				1	DTD213		
5CW/3940	4V8863	Stud, for fuse carrier				4	BSS249		
5CZ/2742	—	Switch, relay				2	—	A	26/255
	—	Unit, resistor				1	—	A	26/235

EQUIPMENT (AIRCRAFT)
INSTRUMENT PANELS

Ref. No.	Part No.	Description				No. off	Matl. Spec.	Cl. of St.	Plate and Illust'n No.
		1	2	3	4			M.R.	
	1V5722	PANEL, PRE-SELECTOR IN FRONT CENTRE PORTION, GROUP				1	—		26/256
		Spares for :—							
5X/9402803	—	Block, terminal, 5-way	7	—	C	26/49
5CZ/868	—	Block, terminal, 5-way	3	—	B	26/257
5CZ/432	—	Block, terminal, 3-way	1	—	B	26/258
5CZ/430	—	Block, terminal, 2-way	1	—	B	26/156
5CZ/886	—	Box, fuse, 8-way	4	—	B	26/177
5CZ/549	—	Box, fuse, type B, 40 amp.	1	—	B	26/199
5CZ/2559	—	Circuit-breaker, type "A"	1	—	A	
5X/9402794	—	Cover, T.B.	7	—	C	26/51
5D/1567	—	Distributor, bomb	1	—	A	26/259
5X/9400051	—	Ferrule	87	—	C	
5X/9400053	—	Ferrule	2	—	C	
5X/9400055	—	Ferrule	3	—	C	
5CZ/4057	—	Fuse, 20 amp., H.R.C....	2	—	B	
5X/1878	—	Grommet	2	—	C	
10A/17598	—	Mounting, A.V., type 35	1	—	B	26/260
		PANEL, LESS INSTRUMENTS, GROUP (V5722)							
		Spares for :—							
	15V5722	BRACKET, MOUNTING DISTRIBUTOR, GROUP				1	—		
	AS1345/14	Cord, restraining	1	—		
	10V5722	Label (1" to 29" in odd numbers)	1	DTD213		
	11V5722	Label (1:2:3:4)	1	DTD213		
	12V5722	Label (1)	1	DTD213		
	174SS6001	Label (Plug Idents.)	1	DTD213		
	937SS6000	Label (T.T. Fuse Block)	1	DTD213		
	938SS6000	Label (A.G. Fuse Block)	1	DTD213		
	942SS6000	Label (Bomb Gear—Main Fuse)	1	DTD213		
	826SS6001	Label (Fuse U—U)	1	DTD213		
	894SS4000	Label (Camera)	1	DTD213		
	72V5629	Label (Fuse U—U—Cam C/B)	1	DTD213		
	678SS6002	Label (Fuse Block—AH)	1	DTD213		
	2V5722	PANEL, GROUP				1	—		
5CW/2007	—	Relay, type Q No. 1	2	—	A	26/180
5CW/3943	—	Relay, type S2	1	—	A	
5CY/287	—	Socket	1	—	B	26/74
5D/632	—	Switch, auto selector	2	—	A	
5D/1064	—	Unit, pre-selector	1	—	A	26/261
	1V8733	PANEL, SUPPRESSOR AND RELAY, AT NAVIGATOR'S STATION, GROUP				1	—		26/341
		Spares for :—							
	1V7221	BOX, JUNCTION, GROUP				1	—		26/342
	2V8733	PANEL, LESS EQUIPMENT, GROUP				1	—		
5CW/5014	—	Relay	1	—	A	26/343

SHACKLETON Mk. 2

**EQUIPMENT (AIRCRAFT)
INSTRUMENT PANELS**

Ref. No.	Part No.	Description				No. off	Matl. Spec.	Cl. of St.	Plate and Illust'n No.
		1	2	3	4			M.R.	
7125	3V5716	PANEL, RELAY, IN CENTRE PORTION, PORT, GROUP				1	—		27/262
	1V5716	PANEL, RELAY, IN CENTRE PORTION, STARBOARD, GROUP				1	—		27/266
	10V2788	Spares for :— BOX, STRUCTURE, PORT, GROUP				1	—		27/263
	11V2788	BOX, STRUCTURE, STARBOARD, GROUP				1	—		27/267
	5V2787	Bus-bar				1	BSS899	C	
	18V5716	CABLE, STARTER RELAY TO T.B.12, PORT, GROUP				1	—		
	5V5716	CABLE, STARTER RELAY TO T.B.61, STARBOARD, GROUP				1	—		
	20V5716	CABLE, T.B.34 TO T.B.27, PORT, GROUP				1	—		
	7V5716	CABLE, T.B.83 TO T.B.77, STARBOARD, GROUP				1	—		
	22V5716	CABLE, FEATHERING RELAY TO T.B.12, PORT, GROUP				1	—		
	9V5716	CABLE, FEATHERING RELAY TO T.B.61, STARBOARD, GROUP				1	—		
	13930 13315	10V2787	Gasket				1	Velvex	
13SS3529		Grommet				1	—	C	
21SS3529		Grommet				1	—	C	
5CW/4621	12V2786	LID, PORT, GROUP				1	—		27/264
	13V2786	LID, STARBOARD, GROUP				1	—		27/268
	6V2787	PLATFORM, INSULATING, GROUP				1	—		27/265
	—	Relay, magnetic, type "J"				1	—	A	27/247
	4V5716	PANEL, RELAY, AT ENGINE SUB-FRAME OUTER, PORT, GROUP				1	—		27/271
	2V5716	PANEL, RELAY, AT ENGINE SUB-FRAME OUTER, STARBOARD, GROUP				1	—		27/269
7125	10V2788	Spares for :— BOX, STRUCTURE, PORT, GROUP				1	—		27/263
	11V2788	BOX, STRUCTURE, STARBOARD, GROUP				1	—		27/267
	5V2787	Bus-bar				1	BSS899	C	
	25V5716	CABLE, STARTER RELAY TO T.B.11, PORT, GROUP				1	—		
	12V5716	CABLE, STARTER RELAY TO T.B.62, STARBOARD, GROUP				1	—		
	26V5716	CABLE, T.B.28 TO T.B.11, PORT, GROUP				1	—		
	14V5716	CABLE, T.B.78 TO T.B.62, STARBOARD, GROUP				1	—		
	28V5716	CABLE, FEATHERING RELAY TO T.B.11, PORT, GROUP				1	—		
	16V5716	CABLE, FEATHERING RELAY TO T.B.62, GROUP				1	—		

EQUIPMENT (AIRCRAFT)
INSTRUMENT PANELS

Ref. No.	Part No.	Description				No. off	Matl. Spec.	Cl. of St.	Plate and Illust'n No.
		1	2	3	4			M.R.	
		PANEL, RELAY, AT ENGINE SUB-FRAME, PORT & STARBOARD (4 & 2V5716) (Cont'd)							
	10V2787	Gasket	1	Velvex		
13930	13SS3529	Grommet	1	—	C	
13315	21SS3529	Grommet	1	—	C	
14283	11V2786	LID, PORT, GROUP	1	—	C	27/272
14294	14V2786	LID, STARBOARD, GROUP	1	—	C	27/270
	6V2787	PLATFORM, INSULATING, GROUP	1	—		27/265
5CW/4621	—	Relay, magnetic, type "J"	1	—	A	27/247
	1T4482	PANEL, RADAR POWER, IN CENTRE PORTION, GROUP	1	—		27/273
		Spares for :—							
5L/9953273	—	Filament (Mod. 771)	1	—	B	
	2Z4764	HANDLE, CRASH, GROUP	1	—		27/274
5CX5136	1Z8314	Lamp, chartboard, RH (Mod. 771)	1	—	B	
	1T4330	PANEL, POWER, GROUP	1	—		27/275
		Spares for :—							
5H/9402803	—	Block, terminal, 5-way	1	—	C	27/49
	1T4332	BOX, PANEL, LESS EQUIPMENT, GROUP	1	—		
		Spares for :—							
	559SS6004	Label, instruction	1	L59		
	150SS6001	Label (No. 1-Start-Stop)	1	—		
	151SS6001	Label (No. 2-Start-Stop)	1	—		
	557SS6004	Label (Sono-buoy-Loran-ASV-GEE)	1	L59		
	278SS6030	Label (Tacan Inverter) (Mod. 988)	1	L59		
	558SS6004	Label (Loran-Gee)	1	L59		
	207SS6002	Label (SARAH)	1	L59		
	549SS6000	Label (1-2-3)	1	—		
	983SS6000	Label (I.F.F. Sono-buoy) (Mod. 988)	1	L59		
	488SS6005	Label (START OR STOP) (Mod. 771)	1	L59		
	1T4808	PANEL, FRONT, GROUP (Mod. 771)	1	—		
	4T3341	Pin, stop	2	S1		
5CW/3945	—	Relay, type S.4	1	—	A	27/276
5X/9402798	—	Socket, double	2	—	C	27/279
5X/9402799	—	Socket, double	7	—	C	27/56
	8S1748	SWITCH, GROUP	3	—		27/346
		Consisting of :—							
	752SS6000	Label, "On"	1	—		
5CW/4148	—	Switch	1	—	B	
	5S1748	SWITCH, GROUP	1	—		
		Consisting of :—							
	750SS6000	Label, "On"	1	—		
5CW/4198	—	Switch	1	—	B	27/76

SHACKLETON Mk. 2

**EQUIPMENT (AIRCRAFT)
INSTRUMENT PANELS**

Ref. No.	Part No.	Description				No. off	Matl. Spec.	Cl. of St.	Plate and Illust'n No.
		1	2	3	4			M.R.	
PANEL, POWER (T4330) (Cont'd)									
5CW/4182	3T4330	SWITCH, GROUP				1	—		27/347
	109T4330	Consisting of :—							
	110T4330	Label, " Sono-Buoy "				1	—		
	—	Label, " SARAH "				1	—		
		Switch				1	—	B	
5CW/4182	2T4330	SWITCH, GROUP				1	—		27/348
	184SS6002	Consisting of :—							
	984SS6004	Label (Normal)				1	—		
	—	Label (Stand-by)				1	—		
		Switch				1	—	B	
5CW/6436	—	Switch, on, O.Harvest (Mod. 771)				1	—	B	27/349
5CW/6434	—	Switch, stop, Tacan Inverter (Mod. 771)				1	—	B	27/350
5CW/4323	—	Switch, stop				2	—	B	27/90
5CW/4221	—	Switch, start				2	—	B	27/23
5CW/6441	—	Switch, start, Tacan Inverter (Mod. 771)				1	—	B	27/351
5CW/4263	SR349Y26	Switch, slow break				1	—	B	27/280
PANEL, EXTENSION, TO RADAR POWER PANEL, GROUP									
Spares for :—									
5X/9402802	—	Block, terminal (Mod. 771)				1	—	C	
5X/9402803	—	Block, terminal, 2-way				2	—	C	
5X/9026	—	Box, fuse				2	—	C	
5X/9025	—	Box, fuse				1	—	C	
5X/9402794	—	Cover, T.B.				2	—	C	
5X/9402798	—	Cover, T.B. (Mod. 771)				1	—	C	
DOOR, ACCESS TO FUSES, GROUP									
3379	1SS4039	Fastener				1	—	C	
28FP/237	AW4/30	Fastener, wing				2	—	C	
5CZ/880	—	Fuse, 5 amp., type " S "				8	—	C	
5CZ/5216	—	Fuse, 10 amp., type HRC (Mod. 771)				3	—	B	
5CZ/879	—	Fuse, 25 amp., HRC				1	—	B	
5CZ/5218	—	Fuse, HRC, 20 amp.				1	—	B	
5CZ/5217	—	Fuse, HRC, 15 amp.				3	—	B	
28FP/9430915	GA4/250	Grommet				2	—	C	
5X/9036	—	Link, commoning				1	—	C	
5X/9039	—	Link, commoning (Mod. 771)				1	—	C	
PANEL, GROUP (Mod. 771)									
5X/9402799	—	Socket, double tier				10	—	C	
5X/9028	—	Socket, type " S "				2	—	C	
5CW/6452	—	Switch, relay, type 93 No. 1 (Mod. 771)				1	—	A	

EQUIPMENT (AIRCRAFT)
INSTRUMENT PANELS

Ref. No.	Part. No.	Description				No. off	Matl. Spec.	Cl. of St.	Plate and Illust'n No.
		1	2	3	4			M.R.	
	1V5783	PANEL, FUSE, ON BULKHEAD AT FORMER 12, GROUP				1	—		27/281
		Spares for :—							
5CZ/886	—	Box, fuse	2	—	B	27/177
5CZ/549	—	Box, fuse, type "B"	1	—	B	27/199
5CZ/883	—	Box, fuse, type "F", 4-way	1	—	B	27/282
5L/9952254	—	Filament (Pre-Mod. 771)	1	—	B	27/283
5CZ/4057	—	Fuse, 20 amp.	1	—	C	
5CZ/880	—	Fuse, 5 amp.	16	—	C	27/196
5CZ/881	—	Fuse, 10 amp.	1	—	C	27/37
5CZ/550	—	Fuse, 40 amp.	2	—	C	27/253
5CX/366	—	Lamp, Mk. 2 (Pre-Mod. 771)	1	—	B	27/121
5CZ/884	—	Link, end (Pre-Mod. 771)	1	—	C	
5CZ/885	—	Link, middle (Pre-Mod. 771)	1	—	C	
	13V5783	PANEL, LESS EQUIPMENT, GROUP				1	—		27/284
		Spares for :—							
	14V3843	CABLE, CHECK, GROUP				1	—		
	5SS3545	Fastener, dzus, type "A30"	3	—		
	121SS6001	Label (Inspection Socket)	1	DTD213		
	546SS6000	Label (RADAR)	1	DTD213		
	373SS6001	Label (Fusebox Z-Z)	1	DTD213		
	39SS6005	Label (Fusebox AR)	1	L59		
10H/2206	—	Socket	1	—	B	27/211
5CY/587	—	Socket	1	—	B	27/74
5CW/724	—	Switch, dimmer, type "E" (Pre-Mod. 771)	1	—	A	27/19
10L/209	—	Unit, control	1	—	A	27/122
	1V5717	PANEL, CONTROL, No. 2 HEATER IN REAR CENTRE PORTION, GROUP				1	—		27/285
		Spares for :—							
5X/9402803	—	Block, terminal, 5-way, 19 amp.	1	—	C	27/49
5CZ/882	—	Box, fuse, type "E"	1	—	B	27/36
	4V5717	CABLE, LOOM, GROUP				1	—		
37A/1813	—	Coil, booster	1	—	A	27/34
5X/9402794	—	Cover, T.B.	1	—	C	27/51
5CZ/881	—	Fuse, 10 amp., type "S"	2	—	C	27/37
	SMITHS C457/EBA/2	Indicator	1	—	A	27/38
5X/9402800	—	Link, commoning	1	—	C	
	2V5717	PANEL, LESS EQUIPMENT, GROUP				1	—		27/287
5X/9994577	—	Socket, single	1	—	C	27/57
5X/9402799	—	Socket, double	4	—	C	27/56
5CY/1002	—	Suppressor, type "P"	1	—	A	27/179
5CW/4102	—	Switch, magnetic relay, type "Q3"	1	—	A	27/40
	25V5348	Switch, 10-20 amp., 1 pole, 4 position (Santon SR 114 E modified)	1	—		27/42
	9S1748	SWITCH, GROUP				1	—		
		Spares for :—							
	752SS6000	Label, "On"	1	—		
5CW/4221	—	Switch	1	—	B	27/23

**EQUIPMENT (AIRCRAFT)
INSTRUMENT PANELS**

Ref. No.	Part No.	Description				No. off	Matl. Spec.	Cl. of St.	Plate and Illust'n No.	
		1	2	3	4			M.R.		
PANEL, CONTROL, No. 2 HEATER, IN REAR CENTRE PORTION (V5717) (Cont'd)										
26DC/2841 5CW/4184	8S1748	SWITCH, GROUP				1	—		27/22	
	752SS6000	Consisting of :— Label, " On "				1	—	C		
	—	Switch				1	—	B		
5CW/4225	4S1748	SWITCH, GROUP				1	—		27/41	
	750SS6000	Consisting of :— Label, " On "				1	—			
	—	Switch				1	—	B		
5X/9402803 5CZ/430 5CZ/882	4V5715	PANEL, No. 3 HEATER AND INTER-COMM. IN REAR CENTRE PORTION, GROUP				1	—		27/288	
	—	Spares for :— Block, terminal, 5-way				1	—	C	27/36	
	—	Block, terminal, 2-way				2	—	B		
	—	Box, fuse				1	—	B		
	37A/1813 10HA/8580 5X/9402794 5CZ/881	6V5715	CABLE, LOOM, GROUP				1	—		27/37
		—	Coil, booster				1	—	A	
—		Connector				1	—	B		
—		Cover, T.B.				1	—	C		
—		Fuse, 10 amp.				2	—	C		
5CZ/ 5CX/366	SMITHS C457/EBA/2	Indicator, magnetic				1	—	B	27/38	
	—	Lamp				1	—	B	27/121	
10H/2206 5X/9402799 5X/9994577 5CY/1002 5CW/2449 5CW/4102	8V5715	PANEL, LESS EQUIPMENT, GROUP				1	—		27/289	
	26V5348	Pin, stop, for switch				2	S1		27/19 27/40 27/42	
	—	Socket				1	—	B		
	—	Socket, double				4	—	C		
	—	Socket, single				1	—	C		
	—	Suppressor, type " P "				1	—	A		
	—	Switch, dimmer				1	—	A		
	—	Switch, magnetic, relay, type " Q3 "				1	—	A		
	—	Switch, rotary, 4 position (SR114E modified)				1	—			
	5CW/4225	4S1748	SWITCH, GROUP				1	—		
750SS6000		Consisting of :— Label, " On "				1	—			
—		Switch				1	—	B		
26DC/2841 5CW/4184	8S1748	SWITCH, GROUP				2	—		27/22	
	752SS6000	Consisting of :— Label, " On "				1	—	C		
	—	Switch				1	—	B		
26DC/2841 5CW/4221	9S1748	SWITCH, GROUP				1	—		27/23	
	752SS6000	Consisting of :— Label, " On "				1	—	C		
	—	Switch				1	—	B		
10L/208	—	Unit, control (Pre-Mod. 771)				1	—	A	27/69	

EQUIPMENT (AIRCRAFT)
INSTRUMENT PANELS

Ref. No.	Part No.	Description				No. off	Matl. Spec.	Cl. of St.	Plate and Illust'n No.
		1	2	3	4			M.R.	
		PANEL, CONTROL VALVE AND RELAY FOR SCANNER JACKS, IN FUSELAGE CENTRE PORTION (V5872)					—		27/290
	5V5872	PANEL, LESS EQUIPMENT, GROUP				1	—		
5CW/3943	—	Relay, type "S2"				2	—	A	27/181
27Q/	DOWTY C1126Y.MK.L	Valve, control				1	—	A	
	1V5799	PANEL, DISCHARGE SIGNAL IN FUSELAGE REAR CENTRE PORTION, GROUP				1	—		27/292
		Spares for :—							
5D/1555	—	Distributor, cartridge flare, Mk.1				1	—	A	27/293
5D/1741	—	Distributor, comb, type "IX," Mk.2				1	—	A	27/294
	1V5800	PANEL, DISCHARGER, GROUP				1	—		27/295
		Spares for :—							
5X/9402802	—	Block, terminal, 2-way				2	—	C	27/296
5X/9402147	—	Block, terminal, 3-way				1	—	C	27/223
5X/9402803	—	Block, terminal, 5-way				2	—	C	27/49
5D/1397	—	Box, resistance relay, type "C"				1	—	A	27/297
5D/1556	—	Distributor, cartridge flare control				1	—	A	27/298
5L/9952254	—	Filament				1	—	B	27/299
5X/9400055	—	Ferrule				3	—	C	
5CX/366	—	Lamp, cockpit, Mk.2				1	—	B	27/121
	1V5801	PANEL, DISCHARGER SIGNAL, GROUP				1	—		27/300
5X/6016	—	Plug				1	—	A	27/301
5X/6036	—	Plug				1	—	A	27/302
5X/6091	—	Plug				1	—	A	27/303
10H/395	—	Plug				1	—	B	27/304
5X/9994577	—	Socket, single tier				13	—	C	27/57
5X/9402799	—	Socket, double tier				3	—	C	27/56
5CY/1002	—	Suppressor, type "P"				3	—	A	27/179
5CY/4221	—	Switch, single pole				2	—	B	27/23
5CW/724	—	Switch, dimmer, type "E"				1	—	A	27/19
5CW/2007	—	Switch, magnetic relay, "Q1"				3	—	A	27/180
5CW/4102	—	Switch, magnetic relay, "Q3"				2	—	A	27/40
	1S1840	PANEL, INSTRUMENT FOR CAMERAS IN FUSELAGE REAR PORTION, GROUP				1	—		27/305
		Spares for :—							
5CW/2007	—	Relay, magnetic, type "Q1"				1	—	A	27/180
27VA/3901	Dunlop AC1010	Valve, electro-pneumatic				2	—	A	27/306
	1V8865	PANEL, POWER CONTROL, AFT OF FORMER 22, GROUP				1	—		

SHACKLETON Mk. 2

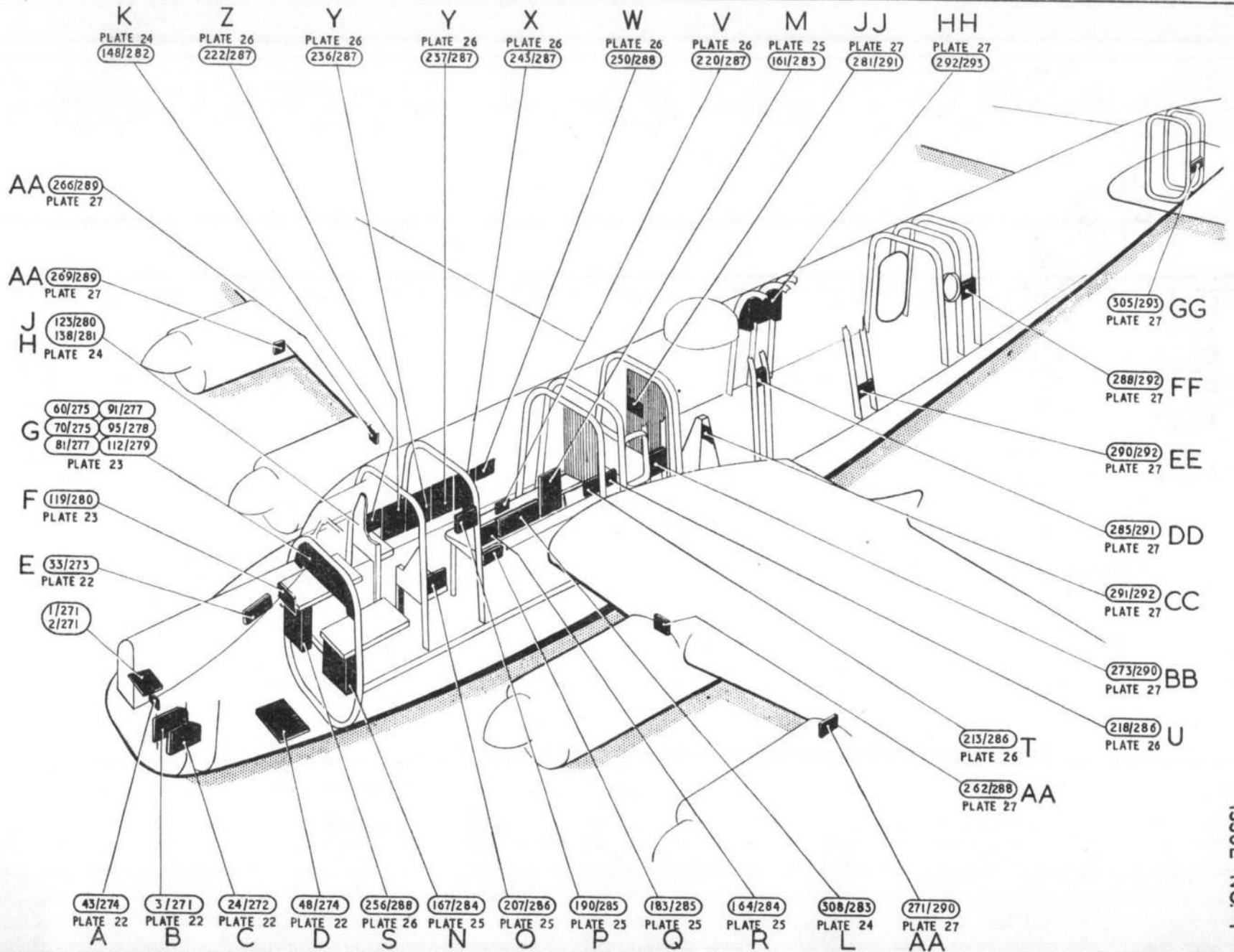
**EQUIPMENT (AIRCRAFT)
INSTRUMENT PANELS**

Ref. No.	Part No.	Description				No. off	Matl. Spec.	Cl. of St.	Plate and Illust'n No.
		1	2	3	4			M.R.	
	1V8865	PANEL, POWER CONTROL, AFT OF FORMER 22, GROUP				1	—		
		Spares for :—							
5X/9402802	—	Board, terminal	1	—	C	
5X/9402803	—	Board, terminal	1	—	C	
5X/9025	—	Box, fuse, 3-way	3	—	C	
5X/9026	—	Box, fuse, 6-way	1	—	C	
5X/9402795	—	Cover, terminal board	1	—	C	
5X/9402794	—	Cover, terminal board	1	—	C	
	16V6354	Cover, resistor	1	—	C	
5X/9400051	—	Ferrule	2	—	C	
10H/23865	—	Fuse, 2.5 amp.	2	—	C	
10H/23864	—	Fuse, 5 amp.	5	—	C	
10H/23863	—	Fuse, 7.5 amp.	3	—	C	
10H/23862	—	Fuse, 10 amp.	2	—	C	
	1V8864	PANEL, LESS INSTRUMENT, GROUP				1	—		
5UC/5760	—	Panel, control, type 24	1	—	A	
5CW/5016	—	Panel, control, type 1A No. 5	3	—	A	
5UC/5759	—	Panel, control, type 15	2	—	A	
5UC/6009	—	Regulator, voltage, type 69	1	—	A	
5CW/3945	—	Regulator, type S.4	1	—	A	
5CW/6720	—	Relay, type S.10	3	—	A	
	BERCO	Resistor, 12 ohms.	2	—	B	
	RAH/KO/12	Socket, simple...	10	—	C	
5CZ/5397	—	Socket, double	2	—	C	
5X/9994577	—	Suppressor, type "P"	2	—	A	
5X/9402996	—	Switch, magnetic relay, type T.1	3	—	A	
5CY/1002	—								
5CW/4620	—								

Ref. No.	Part No.	Description				No. off	Matl. Spec.	Cl. of St.	Plate and Illust'n No.
		1	2	3	4			M.R.	

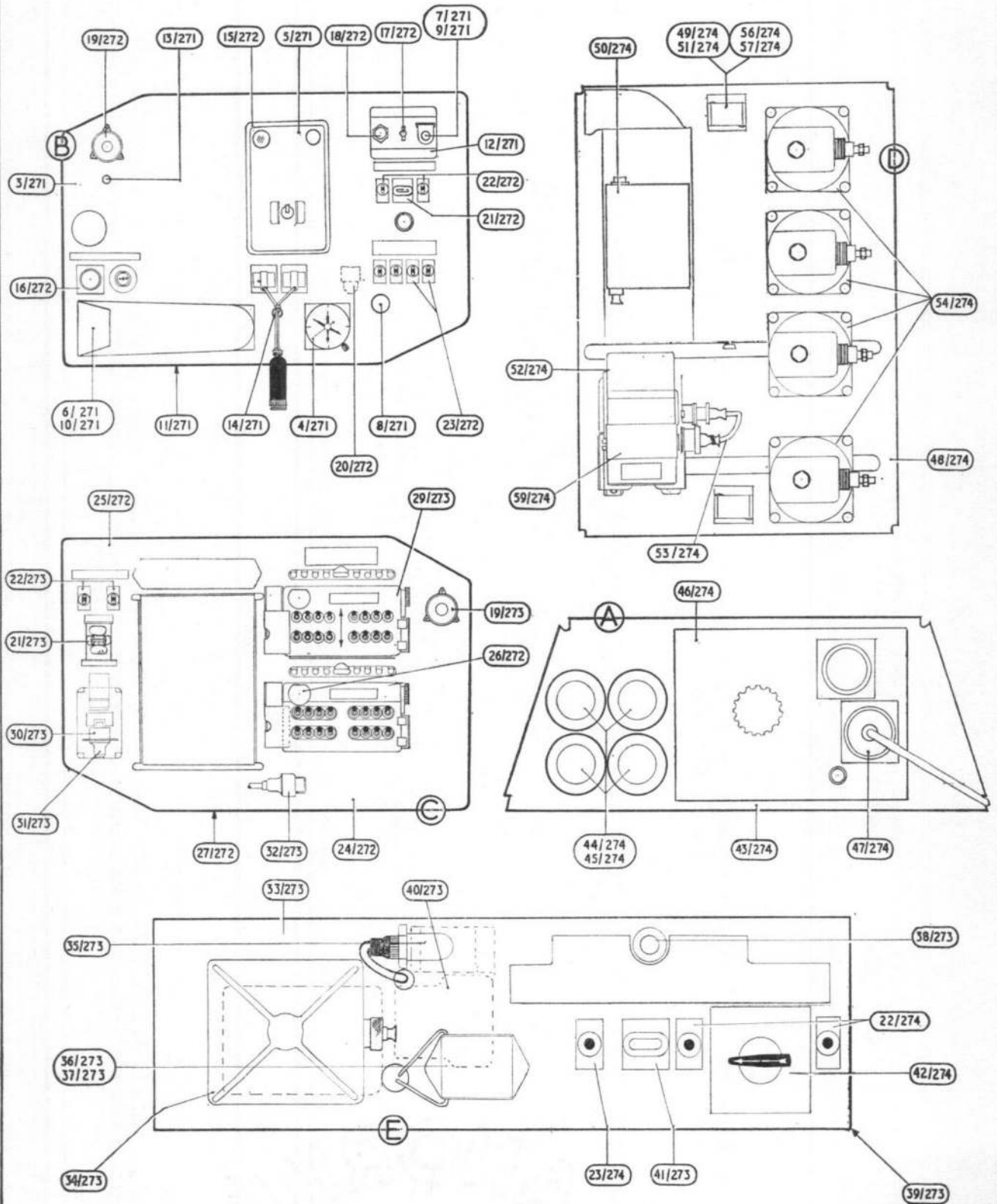
RESTRICTED

INSTRUMENT PANELS (1)

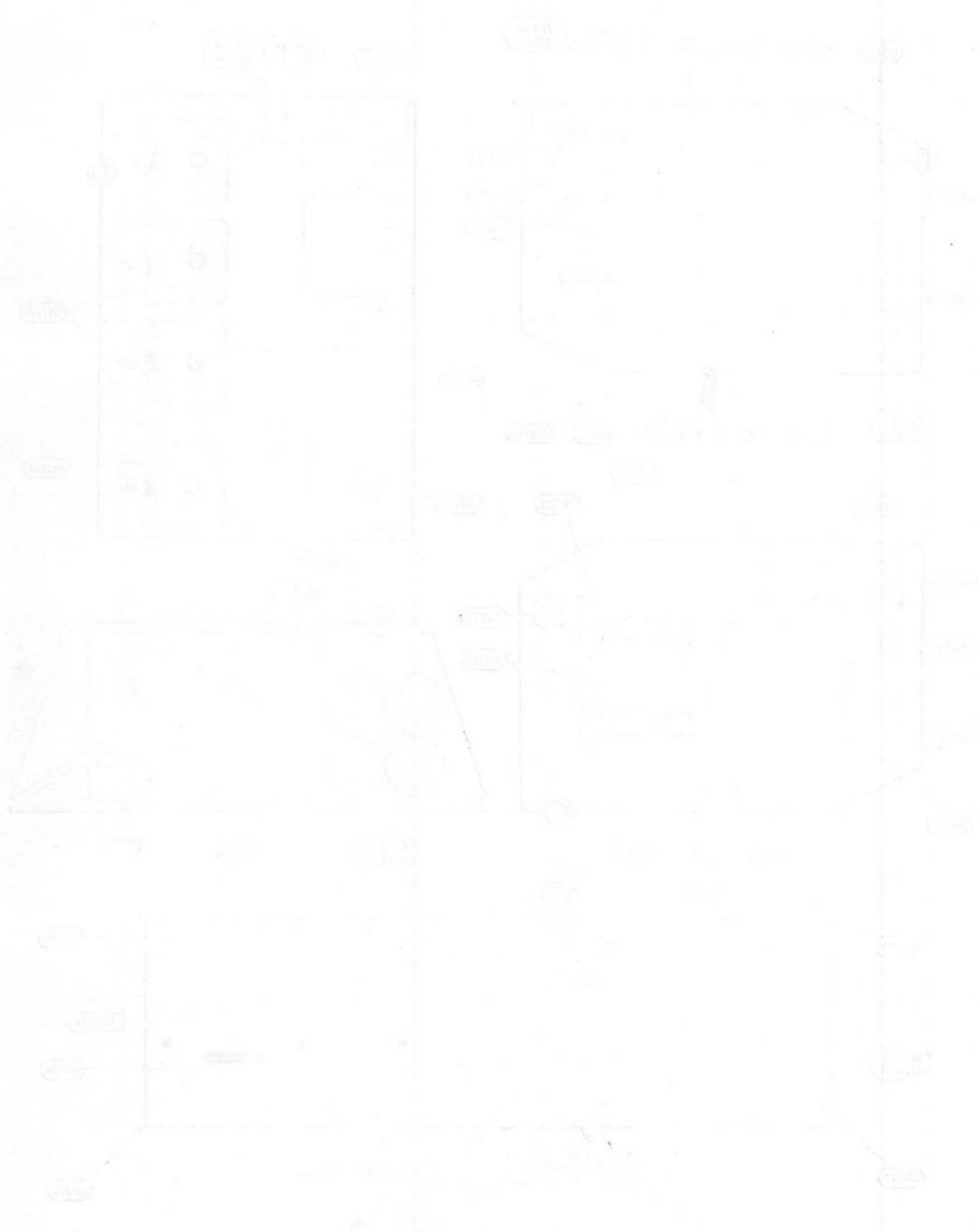


RESTRICTED





INSTRUMENT PANELS (2)



WIRING DIAGRAM (A)

SECRET

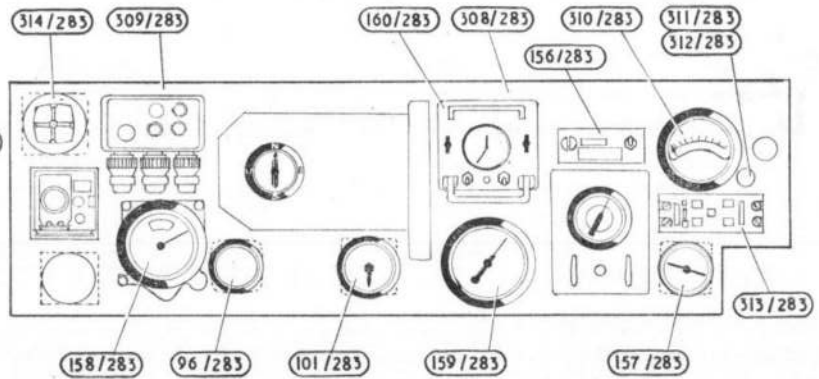
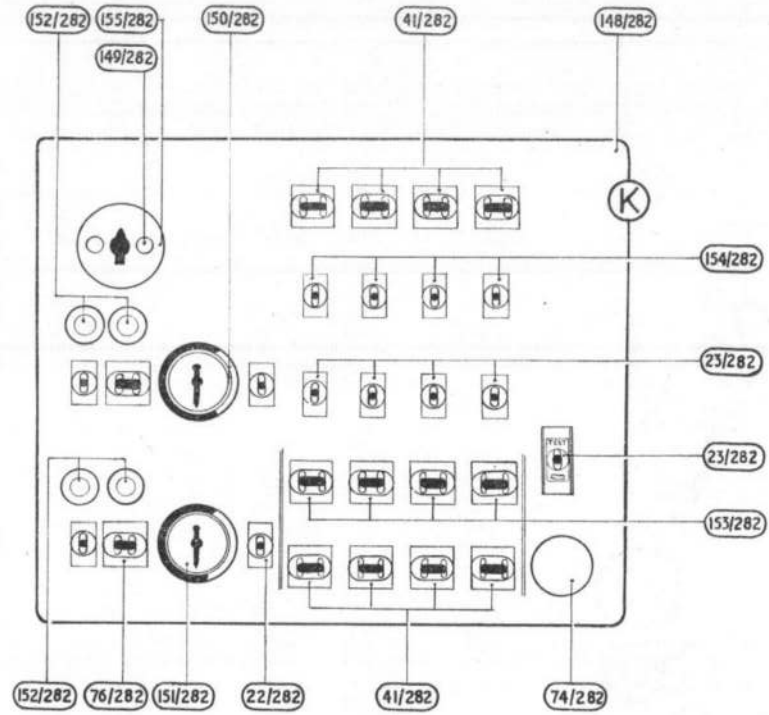
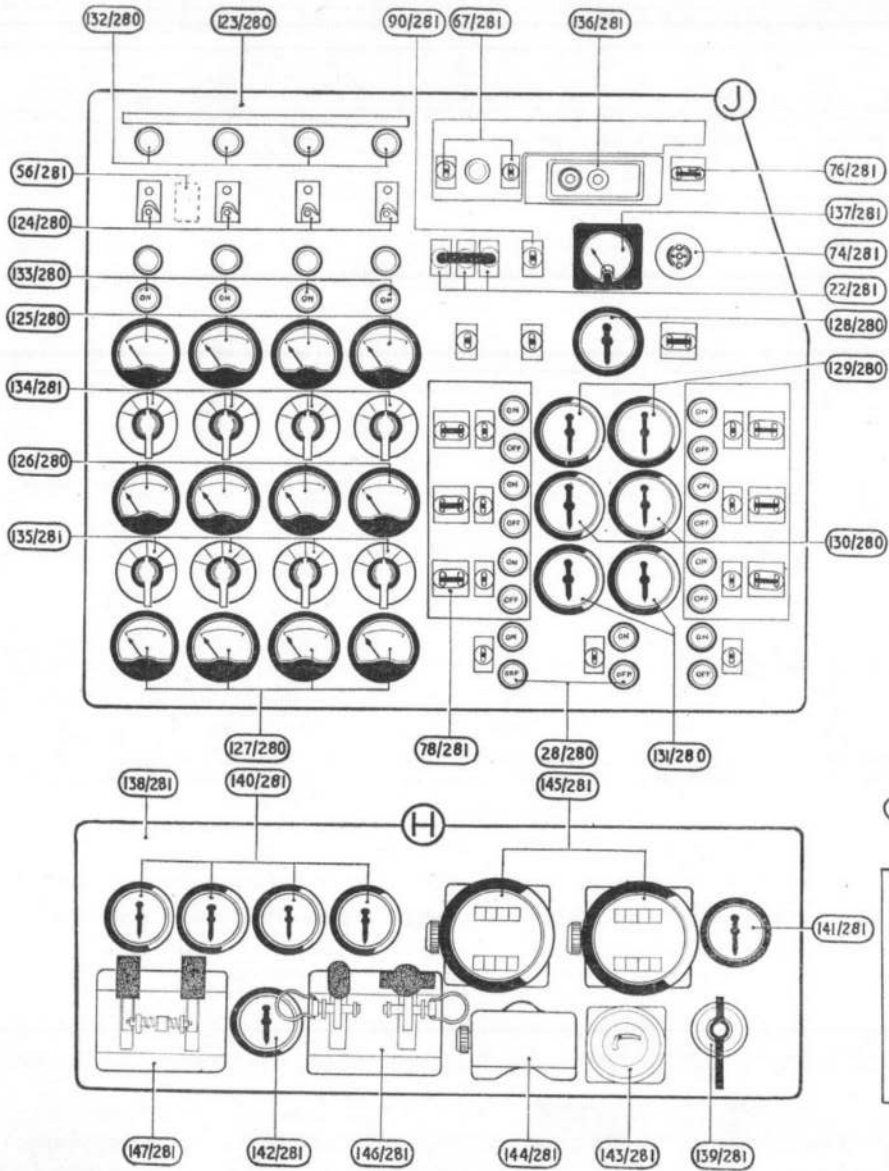
CONFIDENTIAL

SECRET

SECRET



INSTRUMENT PANELS (4)



RESTRICTED

RESTRICTED

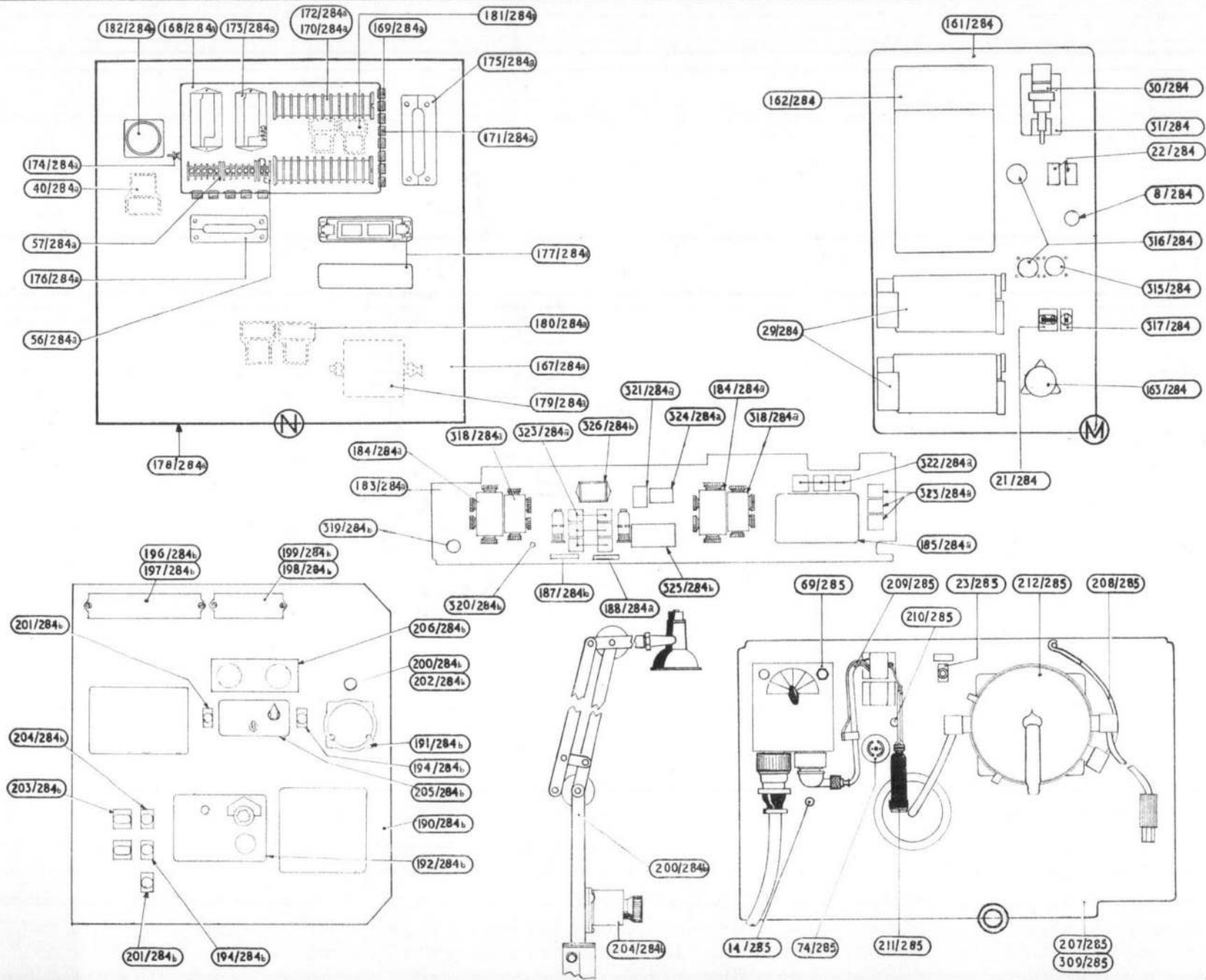
INSTRUMENT PANEL'S (C)

1 2 3 4 5 6 7 8 9 10 11 12 13 14 15 16 17 18 19 20 21 22 23 24 25 26 27 28 29 30 31 32 33 34 35 36 37 38 39 40 41 42 43 44 45 46 47 48 49 50 51 52 53 54 55 56 57 58 59 60 61 62 63 64 65 66 67 68 69 70 71 72 73 74 75 76 77 78 79 80 81 82 83 84 85 86 87 88 89 90 91 92 93 94 95 96 97 98 99 100



RESTRICTED

INSTRUMENT PANELS (5)



RESTRICTED

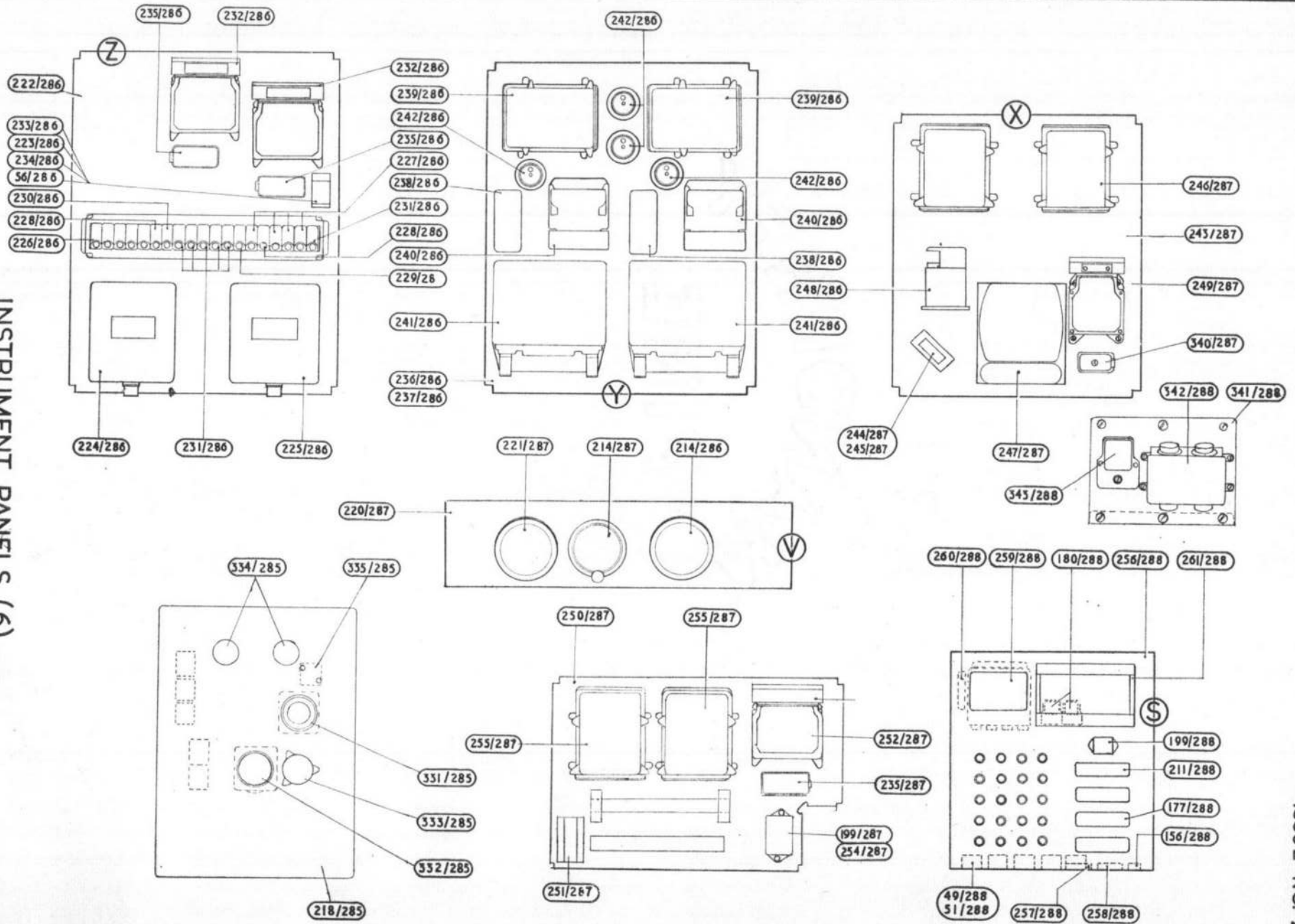
REPLACES

REPLACES (1)

REPLACES (1)

RESTRICTED

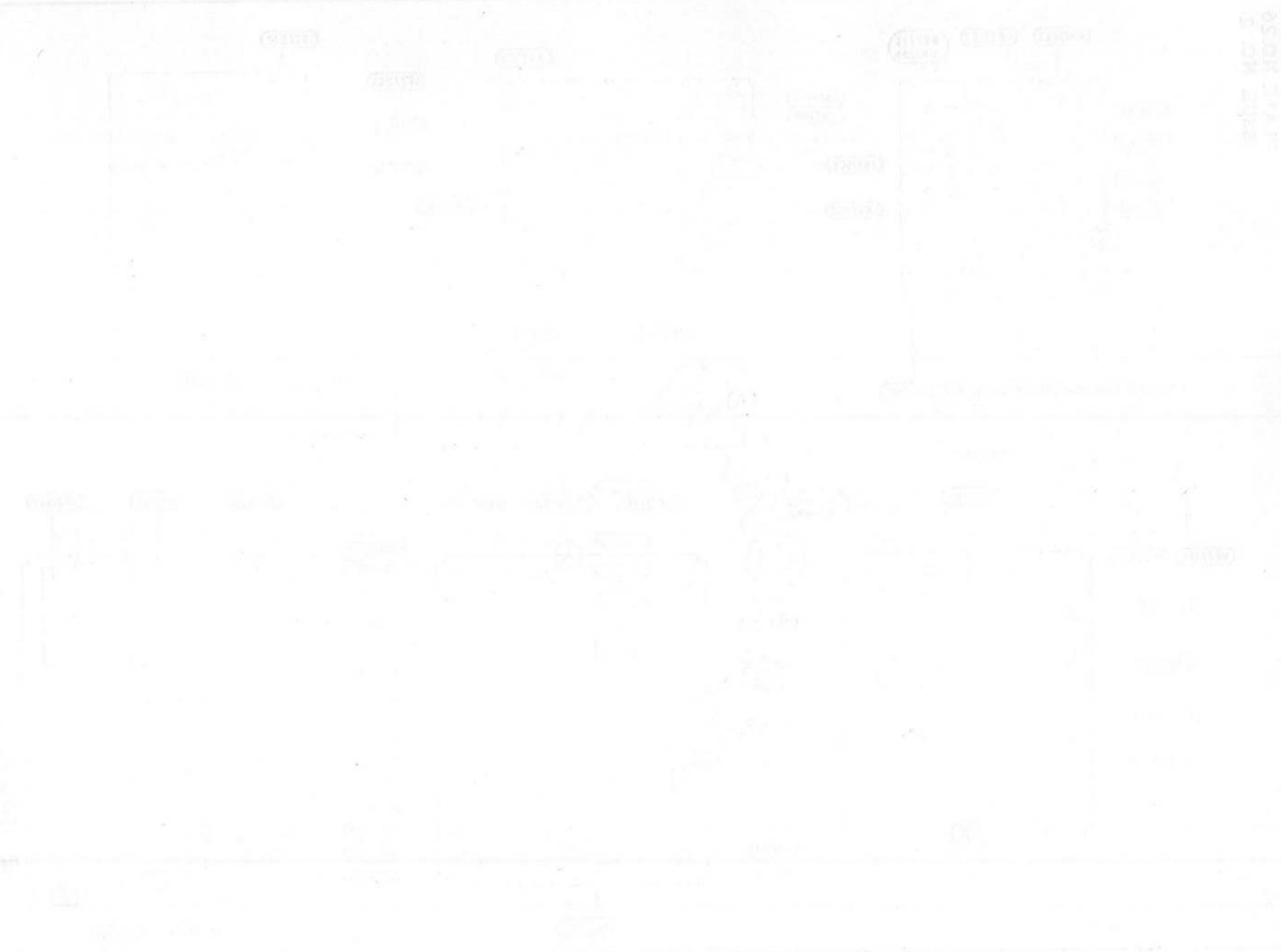
INSTRUMENT PANELS (6)



RESTRICTED

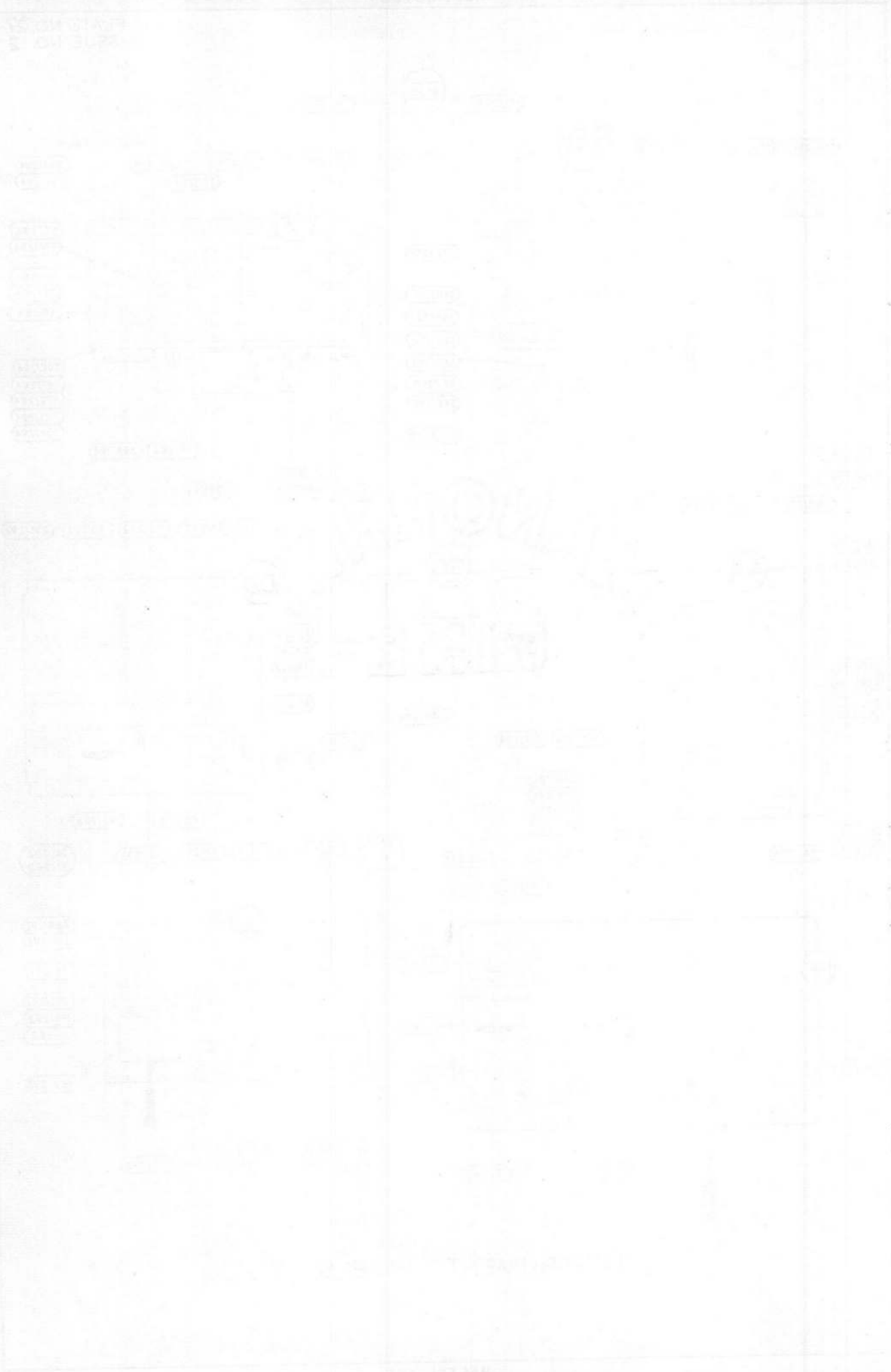
REPLICATED

ATTACHMENT OF 4/15/80 (2)



DATE: 4/15/80
DRAWN: J. H. H. H.

REPLICATED



PAGES 295 to 298 NOT ISSUED.



SHACKLETON Mk. 2

**EQUIPMENT (AIRCRAFT)
PHOTOGRAPHIC**

Ref. No.	Part No.	Description				No. off	Matl. Spec.	Cl. of St.	Plate and Illust'n No.
		1	2	3	4			M.R.	
		PHOTOGRAPHIC ASSEMBLIES							
		Spares for :—							
		MOUNTING, HAND HELD CAMERA, BETWEEN FORMER 26-27 (Z4946)							
	2Z4946	BRACKET, MOUNTING, CAMERA, GROUP				1	—		28/1
114A/829	—	Bracket... ..				1	—	C	28/2
	—	Camera (Service Fit)				1	—		28/3
		STATION, CAMERA, IN REAR SECTION (Z6822)							
		Spares for :—							
6415	4Z6822	Bracket, support, astro compass, port ...				1	L72	C	28/4
6416	5Z6822	Bracket, support, astro compass, starboard				1	L72	C	28/5
6398	15Z6822	Bracket, stop, camera housing, rear starboard				1	DTD124A	C	
6399	16Z6822	Bracket, stop, camera housing, rear port ...				1	DTD124A	C	
6400	17Z6822	Bracket, stop, camera housing, forward port				1	DTD124A	C	
5067	18Z6822	Bracket, stop, camera housing, forward starboard				1	DTD124A	C	
6352	10Z6822	Bracket, ram, mounting				2	T45 & DTD124A	C	28/6
6353	11Z6822	Bracket, ram, mounting				2	T45 & DTD124A	C	28/7
4306	7Z6822	CUSHION, BODY, OBSERVER, GROUP				1	—	A	28/8
		Spares for :—							
14288	1SS3441	Clip, lift the dot				10	—	C	
4307	8Z6822	CUSHION, RIGHT LEG, OBSERVER, GROUP				1	—	A	28/9
		Spares for :—							
14288	1SS3441	Clip, lift the dot				11	—	C	
4308	9Z6822	CUSHION, LEFT LEG, OBSERVER, GROUP				1	—	A	28/10
		Spares for :—							
14288	1SS3441	Clip, lift the dot				12	—	C	
4309	1Z6828	DOOR, CAMERA, REAR PORT, GROUP				1	—	A	28/11
4310	2Z6828	DOOR, CAMERA, REAR STARBOARD, GROUP				1	—	A	28/12
		Spares for :—							
	29Z6828	Bracket, door, pick up				1	DTD124A		28/13
	19Z6828	BRACKET, HINGE, FRONT, GROUP (Pre-Mod 814)				1	—		28/14
		Consisting of :—							
	19dZ6828	Bracket, hinge				1	—		
	20dZ6828	Bush				1	Oilite		
	20Z6828	BRACKET, HINGE, REAR, GROUP (Pre-Mod 814)				1	—		28/15
		Consisting of :—							
	20fZ6828	Bracket, hinge				1	—		
	20dZ6828	Bush				1	Oilite		

SHACKLETON Mk. 2

Page 300

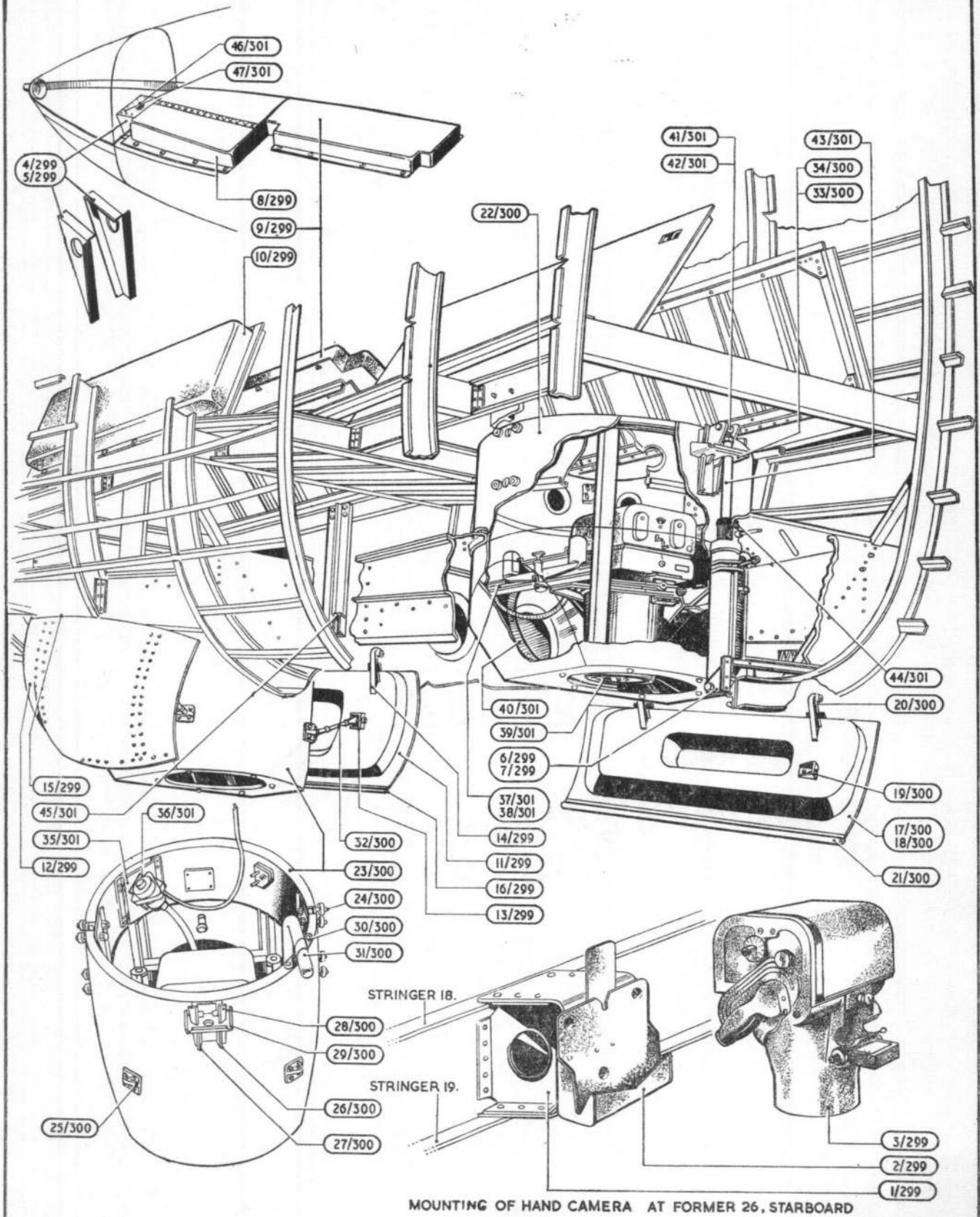
**EQUIPMENT (AIRCRAFT)
PHOTOGRAPHIC**

Ref. No.	Part No.	Description				No. off	Matl. Spec.	Cl. of St.	Plate and Illust'n No.
		1	2	3	4			M.R.	
		DOOR, CAMERA, REAR, PORT AND STARBOARD (1 & 2Z6828) (Cont'd)							
	31Z6828	BRACKET, HINGE, FRONT PORT, GROUP (Mod. 814)				1	—		
	32Z6828	BRACKET, HINGE, FRONT STARBOARD, GROUP (Mod. 814)				1	—		
		Consisting of:—							
	31dZ6828	Bracket, hinge, port				1	—		
	32dZ6828	Bracket, hinge, starboard				1	—		
11946	20gZ6828	Bush				1	Oilite	C	
	33Z6828	BRACKET, HINGE, REAR PORT, GROUP (Mod. 814)				1	—		
	34Z6828	BRACKET, HINGE, REAR STARBOARD, GROUP (Mod. 814)				1	—		
		Consisting of:—							
	33dZ6828	Bracket, hinge, port				1	—		
	34dZ6828	Bracket, hinge, starboard				1	—		
11947	17Z6828	Seal, door (10SS3853 x 33")				1	—	C	28/16
4314	1Z6829	DOOR, CAMERA, FORWARD PORT, GROUP				1	—	A	28/17
4315	2Z6829	DOOR, CAMERA, FORWARD, STARBOARD, GROUP				1	—	A	28/18
		Spares for:—							
	18Z6828	Bracket, door pick-up				1	DTD124A		28/19
4899	17Z6829	BRACKET, HINGE, GROUP (Pre-Mod. 814)				2	—	C	
		Consisting of:—							
	17dZ6829	Bracket, hinge				1	—		
5068	20dZ6828	Bush				1	Oilite	C	
	19Z6829	BRACKET, HINGE, GROUP (Mod. 814)				2	—		28/20
		Consisting of:—							
	19dZ6829	Bracket, hinge				1	—		
11946	20gZ6829	Bush				1	Oilite	C	
	15Z6829	Seal, door (10SS3853 x 33")				1	—		28/21
5483	2Z6841	HOUSING, RETRACTABLE CAMERA, FORWARD, GROUP				1	—	A	28/22
5121	1Z6841	HOUSING, RETRACTABLE CAMERA, REAR, GROUP				1	—	A	28/23
		Spares for:—							
2A/9501177	B.R.E. $\frac{1}{2}$	Bearing, ball				8	—	B	28/24
2A/9500441	B.A.L. $\frac{1}{2}$	Bearing, ball				4	—	B	
	31Z6841	Block, base				1	BSS668		
5390	42Z6841	Bolt, special, $\frac{3}{8}$ " BSF x 3-7" long				4	S1	C	
5216	43Z6841	Bolt, eccentric, $\frac{3}{8}$ " BSF x 3-7" long				4	S1	C	
	57Z6841	Bolt, special, small, $\frac{3}{8}$ " BSF				1	S1		
	56Z6841	Bolt, eccentric, small, $\frac{3}{8}$ " BSF				3	S1		
6417	25Z6841	Bracket, main pull off, port				1	L72	C	28/26
6418	26Z6841	Bracket, main pull off, starboard				1	L72	C	28/27

EQUIPMENT (AIRCRAFT)

PHOTOGRAPHIC

Ref. No.	Part No.	Description				No. off	Matl. Spec.	Cl. of	Plate and Illust'n No.
		1	2	3	4			St. M.R.	
HOUSING, RETRACTABLE CAMERA, FORWARD AND REAR, GROUP (2 & 1Z6841) (Cont'd)									
6419	27Z6841					1	L72	C	28/28
6420	28Z6841					1	L72	C	28/29
5262	51Z6841					2	S1	C	28/25
	66Z6841					1	L72		28/30
	AS2294/8					2	—		
6421	22Z6841					1	L72	C	
	Oddie Ltd.								
28FP/465	Art 324					12	—	C	
	Z7233					1	DTD213A		28/31
	500SS6001					1	—		
4323	50Z6841					2	—	C	28/32
14864	101Z6841					2	—	C	
	Z7150					2	—		
	29Z6841					1	DTD590		28/33
	30Z6841					1	DTD590		28/34
6422	60Z6841					1	L72	C	
1388	30S1545					2	B.11	C	
1389	31S1545					2	B.11	C	
5263	29S1545					1	BSS668	C	
6423	23Z6841					1	—	C	28/35
14A/540	—					1	—	C	28/36
6424	34Z6841					1	—	C	28/37
6425	35Z6841					1	—	C	28/38
	17Z6841					1	L72		
5455	58Z6841					8	S3 or S84	C	
4321	1Z6891					1	—	C	28/39
4322	2Z6891					1	—	C	28/40
MOUNTING, RAM TO HOUSING AND FUSELAGE (Z6890)									
Spares for :—									
4934	12Z6822					1	—	C	28/41
5050	6Z6890					1	—	C	28/42
	Dunlop								
27VA/3907	AC.11108					2	—	A	28/43
5051	13Z6822					2	L1	C	28/44
5378	14Z6822					4	Rubber	C	28/45
5387	6Z6822					1	L72	C	
6B/400	—					1	—	A	28/46
5620	19Z6822					2	L72	C	28/47

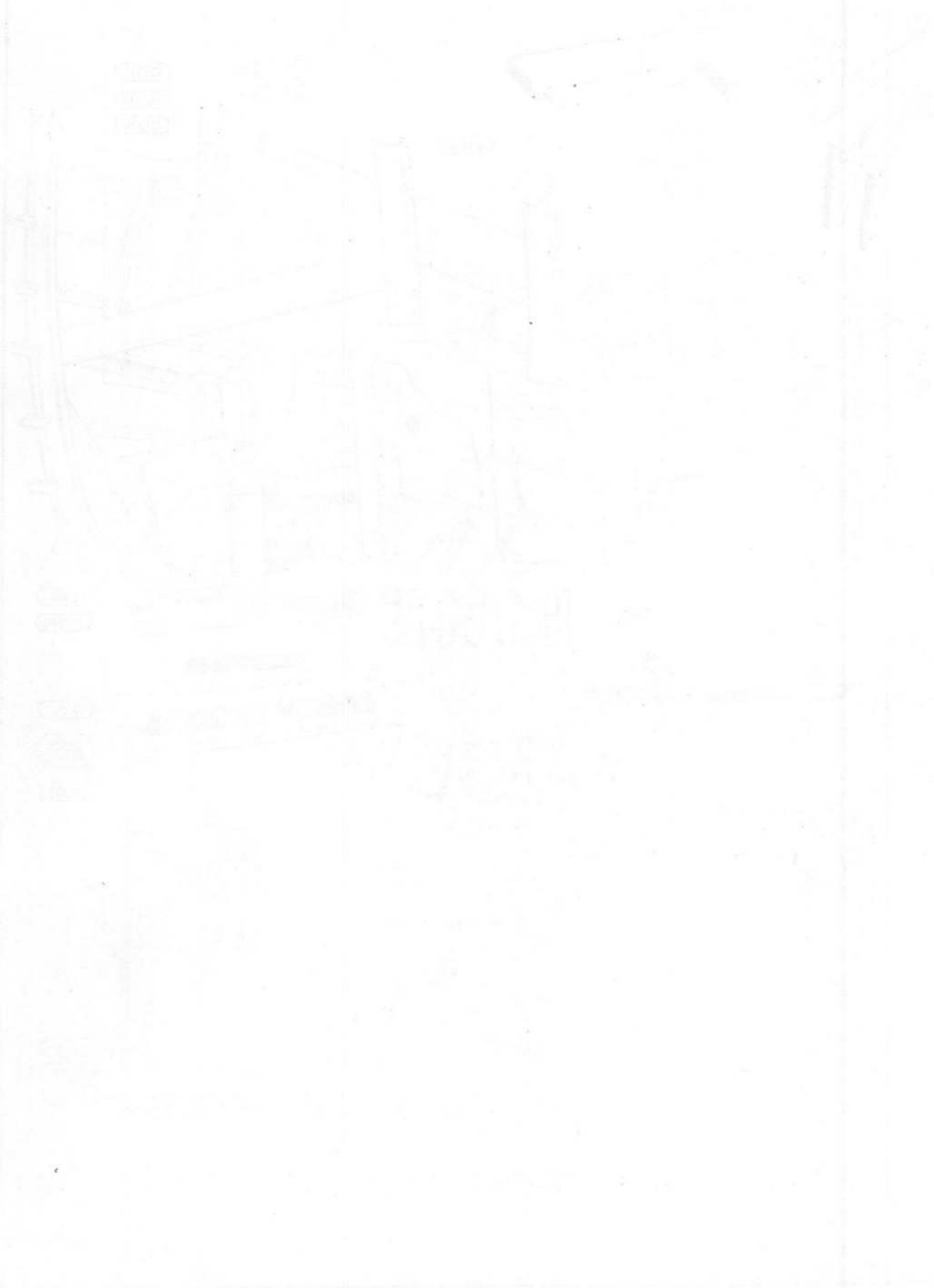


PHOTOGRAPHIC EQUIPMENT

RESTRICTED

LEAVE NO. 1
DATE 10/28

10/28/58



**EQUIPMENT (AIRCRAFT)
SEATS AND FITTINGS**

Ref. No.	Part No.	Description				No. off	Matl. Spec.	Cl. of St.	Plate and Illust'n No.
		1	2	3	4			M.R.	
		SEATS AND FITTINGS ASSEMBLIES							
	10D7435	Spares for :— Bracket, hinge, for lower bunk (See Fuselage Rear Centre Portion)				2	L72		29/1
		BUNKS, REST, FOR CREW, IN REAR CENTRE SECTION (Z4696)							
		Spares for :—							
2333	21Z4696	Bolt, catch, for strut, $\frac{5}{16}$" BSF x $3\frac{1}{4}$" long ...				2	S11	C	29/2
2334	6Z4696	Bolt, eye, attaching strut to bunk top ...				2	S1	C	29/3
2335	17Z4696	BRACKET, FLOOR ATTACHMENT, BOTTOM, GROUP				2	—	C	29/4
2336	18Z4696	BRACKET, FLOOR ATTACHMENT, BOTTOM, GROUP				1	—	C	29/5
2337	14Z4696	Bracket, hinge, top				1	L72	C	29/6
2338	15Z4696	Bracket, hinge, top				1	L72	C	29/7
2339	12Z4696	Bracket, strap				2	B16	C	29/8
2340	16Z4696	Bracket, strut hinge, top				1	L72	C	29/9
2341	20Z4696	BRACKET, STRUT HINGE, TOP, GROUP				1	—	C	29/10
5382	1Z4697	BUNK, REST, TOP, FOR CREW, GROUP				1	—	A	29/11
5616	9Z4697	BUNK, REST, BOTTOM, FOR CREW, GROUP				1	—	A	29/12
		Spares for :—							
2342	5Z4697	STRAP, FOR STOWING, GROUP				5	—	C	29/13
2343	22Z3016	Knob, quick release, attachment, bottom ...				3	—	C	29/14
2344	2Z4696	LEG, FOR BUNK, BOTTOM, GROUP				1	—	C	29/15
2345	3Z4696	LEG, FOR BUNK, BOTTOM, GROUP				1	—	C	29/16
		Spares for :—							
	2cZ4696	Block				1	BSS668		
2346	10Z5334	Pin, attaching strut to eyebolt, top				4	—	C	29/17
2347	26Z3016	Pin, plunger, bottom				3	—	C	29/18
2348	19Z4696	Plate, base, floor attachment, bottom ...				3	—	C	29/19
2349	13Z4696	Ring, strap retaining				2	—	C	29/20
2350	1SK13542	Spring, for plunger pin, bottom				3	—	C	29/21
1590	Siebe Gorman No. 12381	STRAP, SAFETY BUNK, GROUP (N1041)				2	—	C	29/22

SHACKLETON Mk. 2

Page 304

**EQUIPMENT (AIRCRAFT)
SEATS AND FITTINGS**

Ref. No.	Part No.	Description	No. off	Matl. Spec.	Cl. of	Plate and Illust'n No.	
					St. M.R.		
		1	2	3	4		
BUNKS, REST, FOR CREW, IN REAR CENTRE SECTION, GROUP (Z4696) (Cont'd)							
1069	1Z4870	STRUT, BUNKTOP, GROUP ...	2	—	C	29/23	
		Consisting of:—					
1070	5Z4870	Pin, hinge ...	1	S11	C	29/24	
28P/5031	AGS784/2	Pin, split ...	1	—	C		
1071	7Z4870	PIN, REMOVABLE, GROUP ...	1	—	C	29/25	
28Q/6669	AS2227/410	Rivet, snap hd, $\frac{1}{8}$ " dia. x $\frac{5}{16}$ " long ...	6	—	C		
28Q/11810	AS2227/413	Rivet, snap hd, $\frac{1}{8}$ " dia. x $\frac{13}{16}$ " long ...	3	—	C		
28Q/6681	AS2229/410	Rivet, csk. hd, $\frac{1}{8}$ " dia. x $\frac{5}{8}$ " long ...	3	—	C		
2276	4Z5334	Socket, hinge, female ...	1	—	C	29/26	
2277	5Z5334	Socket, hinge, male ...	1	—	C	29/27	
2278	4Z4870	SOCKET, HINGE, GROUP ...	1	—	C	29/28	
		Spares for:—					
1072	28bZ3989	Bush ...	1	T35		29/29	
2279	6Z4870	Stiffener ...	1	L72	C	29/30	
2280	8Z4870	Tube, $\frac{1}{2}$ " o/d x 16g x 11.87" long ...	1	DTD440/450	C	29/31	
2281	3Z4870	Tube, $\frac{1}{2}$ " o/d x 16g x 11" long ...	1	DTD440/450	C	29/32	
28W/9419402	SP13/C	Washer, 4 BA ...	4	—	C		
28W/8517	AS470/D	Washer ...	1	—	C		

SHACKLETON Mk. 2

EQUIPMENT (AIRCRAFT)

SEATS AND FITTINGS

Ref. No.	Part No.	Description				No. off	Matl. Spec.	Cl. of St.	Plate and Illust'n No.
		1	2	3	4			M.R.	
SEAT, GUNNER'S, AND MOUNTING IN NOSE SECTION (1N1184)									
Spares for :—									
4433	2N1184	Bracket, front LH leg attachment ...				1	DTD124	C	29/33
		(See Nose Structure Gun Beam D9005)							
4434	3N1184	Bracket, front RH leg attachment ...				1	DTD124	C	29/34
		(See Nose Structure Gun Beam D9005)							
	9N1184	Bracket, rear, leg attachment ...				2	DTD364B	C	29/35
1288	13D8441	CUSHION, SEAT, GROUP ...				1	—	B	29/36
3591	1N1210	CUSHION, SEAT, BACKREST, GROUP				1	—	B	29/37
4431	1N1208	FRAME, SEAT, PORT, GROUP ...				1	—	C	29/38
		Consisting of :—							
	11N1208	Fork-end ...				2	S1		
28Q/9417278	AGS2050/630/BS	Rivet, pop ...				11	—	C	
	3N1208	Strut, 1" o/d x 20G x 23" ...				1	T45		
	5N1208	Strut, 1" o/d x 20G x 25.75" ...				1	T45		
	7N1208	Strut, 1" o/d x 20G x 15.75" ...				1	T45		
	9N1208	Tube, 1 1/8" o/d x 17G x 2.6" ...				1	T45		
	10N1208	Tube, 1 1/8" o/d x 17G x 2.6" ...				1	T45		
4432	2N1208	FRAME, SEAT, STARBOARD, GROUP				1	—	C	29/39
		Consisting of :—							
	11N1208	Fork, end ...				2	S1		
28Q/9417278	AGS2050/630/BS	Rivet, " pop " ...				11	—	C	
	4N1208	Strut, 1" o/d x 20G x 23" ...				1	T45		
	6N1208	Strut, 1" o/d x 20G x 25.75" ...				1	T45		
	8N1208	Strut, 1" o/d x 20G x 15.75" ...				1	T45		
	9N1208	Tube, 1 1/8" o/d x 17G x 2.6" ...				1	T45		
	10N1208	Tube, 1 1/8" o/d x 17G x 2.6" ...				1	T45		
HARNESS, SAFETY, GROUP (8N1184)									
Consisting of :—									
6F/246	AS1728/15	Cable ...				1	—		
28P/863	—	Harness, type " ZC " ...				1	—	A	
28P/865	SP4Y/D5	Pin, 1/4" dia. ...				2	Steel	C	
28P/1006943	SP4Y/D7	Pin, 1/4" dia. ...				2	Steel	C	
28Y/2900	SP9/C6	Pin, split, 1/16" dia. x 3/4" ...				3	—	C	
28W/9418921	SP1/690/C	Shackle ...				2	—	C	
	SP13/E	Washer ...				2	—	C	
PLATFORM, SEAT, SUPPORT, GROUP (1N1207)									
Spares for :—									
	8N1207	Block, pivot ...				1	DTD683		
	3N1207	Bracket ...				4	DTD634A		
	2N1207	CHANNEL, GROUP ...				1	—		29/41
5298	SS3052	Nipple, grease ...				1	—		
5297	6N1207	Plate, cover... ...				1	AL7	C	
5296	5N1207	Plate, rubbing ...				1	S3	C	
	7N1207	Shim, 1/32" thick ...				1	Laminum	C	

**EQUIPMENT (AIRCRAFT)
SEATS AND FITTINGS**

Ref. No.	Part No.	Description				No. off	Matl. Spec.	Cl. of St.	Plate and Illust'n No.
		1	2	3	4			M.R.	
		PLATFORM, SEAT, SUPPORT, GROUP (1N1207) (Cont'd)							
	1N1204	SLIDE, FOR SEAT, GROUP ...				1	—		29/42
	2N1204	Spares for :— Casting, slide				1	DTD721		29/43
4426	3N1204	LEVER, GROUP				1	—	B	29/44
	11N1204	Consisting of :— ARM, LEVER, GROUP				1	—		
	Hoffman	Ball, 6 m/m dia. (3eN1204) ...				1	—		
28D/8312	AS1242/8C	Bolt, 2 BA, csk.hd.				1	—	C	
	AS1909/A	Knob				1	Plastic		
28M/12983	A27/CT	Locknut,				1	S3	C	
	3cN1204	Plate, packing				2	—		
28Q/9140375	AS2230/304	Rivet, csk.hd, 120°, $\frac{3}{32}$" dia. x $\frac{1}{4}$" ...				1	—	C	
13293	AT30383	Spring				1	—	C	
4427	4N1204	LINK, CONNECTING, GROUP				1	—	C	29/45
	8N1204	Plate, slide				2	S3		29/46
	9N1204	Plate, slide				2	S3		29/47
	10N1204	Plate, slide				2	S3		29/48
4428	5N1204	Spindle, forked				1	S1	C	29/49
4429	6N1204	Spindle, forked				1	S1	C	29/50
7491	12N1204	Spindle, forked				1	S1	C	29/51
26DD/9693	4C1510	Spring, for connecting link				1	—	C	29/52
	1N1185	SEAT, GUNNER'S, GROUP				1	—		29/53
	7N1185	Spares for :— BRACKET, SAFETY BELT, LH, GROUP				1	—		29/54
	8N1185	BRACKET, SAFETY BELT, RH, GROUP				1	—		29/55
5386	6N1184	Stop, seat, slide				4	DTD363A	C	
	7N1184	Tube, mounting, 1" o/d x 20g x 9.90" long ...				2	T45		29/56

SHACKLETON Mk. 2

EQUIPMENT (AIRCRAFT)

SEATS AND FITTINGS

Ref. No.	Part No.	Description				No. off	Matl. Spec.	Cl. of St.	Plate and Illust'n No.
		1	2	3	4			M.R.	
		SEAT AND UNDERFRAME, 1st PILOT (1N1198)							
		SEAT AND UNDERFRAME, 2nd PILOT (2N1198)							
1150	5N999	Spares for :— CUSHION, SEAT, GROUP				1	—	A	30/57
6F/246	—	Harness, type "ZC"				1	—	A	30/58
2304	4N999	ROD, CONNECTING, SEAT TO UNDERFRAME, GROUP				2	—	C	30/59
		Consisting of :—							
2305	4bN999	End, socket				1	DTD176A	C	30/60
2306	4cN999	End, socket				1	DTD176A	C	30/61
28Q/2000	AS455/414	Rivet, snap hd, 1/8" dia. x 7/8" long				4	—	C	
2307	4aN999	Tube				1	DTD207	C	30/62
	1N1193	SEAT, 1st PILOT'S LH, GROUP				1	—		30/63
	2N1193	SEAT, 2nd PILOT'S RH, GROUP				1	—		30/64
		Spares for :—							
		ARMREST, 1st AND 2nd PILOT'S (1 & 2N1187)							
		Spares for :—							
4279	1N1188	ARMREST, 1st PILOT'S LH, GROUP				1	—	A	30/65
4280	1N1189	ARMREST, 2nd PILOT'S LH, GROUP				1	—	A	30/66
		Spares for :—							
4275	30N947	Button, push				1	DTD364	C	30/67
	8N1188	Guide				1	BSS668		
4989	28N947	Housing, push button				1	S21	C	
4276	31N947	Nut, leather trimming				1	DTD364	C	30/68
4988	12N953	Pin, locking				1	S21	C	
4277	32N947	Spring, push button				1	—	C	30/69
4281	1N1190	ARMREST, 1st PILOT'S RH, GROUP				1	—	A	30/70
4282	1N1191	ARMREST, 2nd PILOT'S RH, GROUP				1	—	A	30/71
7265	6N1187	Bearing, arm tube, LH				1	DTD364	C	
7266	7N1187	Bearing, arm tube, RH				1	DTD364	C	
7267	8N1187	Block, distance				1	BSS668	C	
7263	11N1187	Plate, bearing				1	L72	C	
7264	5N1187	Plate, support				1	L72	C	
4376	4N1187	Quadrant				1	L72	C	
		BACK, SEAT, ADJUSTABLE (N1196)							
		Spares for :—							
4283	1N1195	BACK, SEAT, GROUP				1	—	A	30/72
		Spares for :—							
4286	7N1195	CABLE, CONTROL, GROUP				1	—	C	30/73
	1N1200	FRAME, SEAT BACK, GROUP				1	—		
	5N1195	GUARD, HEAD REST LH, GROUP				1	—		
	6N1195	GUARD, HEAD REST RH, GROUP				1	—		

SHACKLETON Mk. 2

EQUIPMENT (AIRCRAFT)

SEATS AND FITTINGS

Ref. No.	Part No.	Description				No. off	Matl. Spec.	Cl. of St.	Plate and Illust'n No.
		1	2	3	4			M.R.	
MECHANISM, 1st & 2nd PILOT'S HARNESS RELEASE (38 & 39N985) (Cont'd)									
2296	32N985					1	DTD176A	C	30/101
2297	9N985					2	DTD171A	C	30/102
	Bowden								
29H/1170	PN84					2	—	C	
2298	35N985					1	—	C	30/103
2299	22N985					1	S2 or S11	C	30/104
2617	43N985					1	K.Monel	C	30/105
13385	6N794					1	L1	C	30/106
7568	12N985					1	DTD176	C	
1005	15N985					1	Spring Steel	C	30/107
2616	44N985					1	Spring Steel	C	30/108
2300	24N985					2	L1 or L40	C	30/109
2301	25N985					2	L1 or L40	C	30/110
2302	26N985					2	L1 or L40	C	30/111
2303	27N985					2	L1 or L40	C	30/112
	25N1011					1	—		
	27N1011					2	L72		
	12N1000					2	L72		
10H/2206	—					2	—		
1942	24N1011					1	—	C	30/113
	1N986					1	—		30/114
	2N986					1	—		30/115
13110	19N770					1	—	C	30/116
	3N986					1	—		
	4N986					1	—		
	5N986					1	—		
	6N986					1	—		
1944	1N987					1	—	C	30/117
1945	2N987					1	—	C	30/118
	9N987					1	L34		
4796	10N772					1	Spring Steel	C	
	7N986					4	—		30/119
5066	17bN770					1	DTD176A	C	
1946	48SS3168					17	—	C	30/120
1947	49SS3168					4	—	C	30/121
	33N770					1	DTD171A		
	34N770					1	DTD171A		
							—		

EQUIPMENT (AIRCRAFT)

SEATS AND FITTINGS

Ref. No.	Part No.	Description				No. off	Matl. Spec.	Cl. of St.	Plate and Illust'n No.
		1	2	3	4			M.R.	
		SEAT, ADJUSTABLE, AND UNDER-FRAME FOR NAVIGATOR, IN FRONT CENTRE SECTION, GROUP (N1152)							
		Spares for :—							
3768	9N1148	CUSHION, SEAT, GROUP	1	—	A	30/123	
3588	1N1214	CUSHION, BACKREST, GROUP	1	—	B	30/124	
1278	1N1153	SEAT, NAVIGATOR, GROUP	1	—	A	30/125	
		Spares for :—							
1957	29N1151	Bracket, safety belt	1	S2	C	30/126	
1958	30N1151	Bracket, safety belt	1	S3	C	30/127	
1959	7N1153	LEG, SEAT, FRONT, LH, GROUP	1	—	C	30/128	
1960	8N1153	LEG, SEAT, FRONT, RH, GROUP	1	—	C	30/129	
1961	21N1151	LEG, SEAT, REAR, LH, GROUP	1	—	C	30/130	
1962	22N1151	LEG, SEAT, REAR, RH, GROUP	1	—	C	30/131	
6F244	—	Strap, lap, safety, type "Z"	1	—	A	30/132	
	1N1146	UNDERFRAME, SEAT, GROUP	1	—			
		Spares for :—							
13110	19N770	CORD, ELASTIC, TENSION, GROUP	1	—	C	30/133	
1963	13N772	LEVER, HAND, SEAT ADJUSTING, RH, GROUP	1	—	C	30/134	
1964	8N1146	Quadrant	1	S3	C	30/135	
		SEAT, ROUTINE, NAVIGATOR'S, IN FRONT CENTRE PORTION (N1322)							
		Spares for :—							
	5N1322	BASE, SEAT, GROUP	1	—		30/148	
		Spares for :—							
7168	6N1322	BEARING, SEAT SUPPORT, GROUP	1	—	C		
7877	28N1314	Bolt, csk.hd, 1/4" BSF, for top plate	4	—	C		
28D/1011030	A25/2E	Bolt, hex.hd, 1/4" BSF, for A.V. mounting plate attachment	4	—	C		
28D/9133208	A25/20E	Bolt, hex.hd, 1/4" BSF, for locking mechanism attachment	1	—	C		
	5cN1322	Boit, 1/4" W. for spigot attachment	4	S1			
15190	5eN1322	Casting, seat base	1	L33	C		
15188	1N1313	Casting, seat support	1	DTD721	C		
15082	31N1314	Knob, plunger	2	L65	C		
9752	11N1314	MECHANISM, SEAT LOCKING, GROUP	1	—	C		
9754	SILENT BLOC PE10646	Mounting, anti-vibration, 50 LB	2	—	C		
9755	SILENT BLOC PE10616	Mounting, anti-vibration, 80 LB	2	—	C		
	22N1314	Plate, anti-vibration mounting	4	L65			
7878	26N1314	Plate, top	1	—	C		
7876	21N1314	Plug, plunger	2	L65	C		

SHACKLETON Mk 2

EQUIPMENT (AIRCRAFT)

SEATS AND FITTINGS

Ref. No.	Part No.	Description				No. off	Matl. Spec.	Cl. of St.	Plate and Illust'n No.
		1	2	3	4			M.R.	
		BASE, SEAT (5N1322) (Cont'd)							
9751	19N1314					2	S1	C	
	5dN1322					1	S94		
9749	23N1314					1	—	C	
9750	20N1314					2	—	C	
	7N1322					4	DTD363A		30/149
	1N1317					1	—	C	30/150
		CARRIER, OXYGEN BOTTLE, GROUP							
		Spares for :—							
	7N1317					1	—		
	4N1288					4	S1	C	30/156
9740	1N1307					1	—	A	30/151
		SEAT, ROUTINE NAVIGATOR, GROUP							
		Spares for :—							
	27N1307					1	—		30/300
	28N1307					1	—		30/167
7163	3N1322					1	S1	C	30/152
7164	4N1322					3	S1	C	30/153
7169	8N1322					2	—	C	30/154
	3N1288					2	—		30/155
6F/244	—					1	—		
9859	5N1288					4	S1		30/143
		UPHOLSTERY, SEAT (25N1315)							
		Spares for :—							
	23N1315					1	—		30/136
	24N1315					1	—		30/137
	21N1315					1	—		30/138
	22N1315					1	—		30/142
9760	6N1288					4	S1		30/144
		SEAT, FLIGHT ENGINEER'S, IN FRONT CENTRE SECTION (1N1013) (Pre.Mod. 370)							
		Spares for :—							
2093	15N1008					2	S6	C	
3597	11N1013					1	—	C	
1163	14N1013					1	—	A	
3589	1N1209					1	—	B	
6F/246	—					1	—	A	
	25N1013					1	—		
2328	2N1013					1	—	C	
		ARM CONTROL, FOR LOCKING LEVER, GROUP							
		Consisting of :—							
2325	2aN1013					2	L72	C	
28D/8463	AS1882/9C					1	—	C	
2109	AS1909					1	—	C	
28L/753	A16Y/CT					1	—	C	
28Q/6639	AS2227/405					1	—	C	
2327	9N1013					1	DTD59A	C	
2092	8N1013					1	T45	C	
3955	3N923					1	DTD59A	B	

EQUIPMENT (AIRCRAFT)

SEATS AND FITTINGS

Ref. No.	Part No.	Description				No. off	Matl. Spec.	Cl. of St.	Plate and Illust'n No.
		1	2	3	4			M.R.	
		SEAT, FLIGHT ENGINEER'S, IN FRONT CENTRE PORTION (N1013) (Cont'd)							
2329	3N1013	LEVER, LOCKING, GROUP ...				1	—	C	
		Consisting of:—							
2324	3aN1013	Lever				1	DTD59A	C	
28M/10290	AGS2001/E/1	Nut, stiff, $\frac{1}{4}$ " BSF				1	—	C	
802	3bN1013	Pin				1	S1	C	
28Q/10776	AS2227/409	Rivet, snap hd, $\frac{1}{8}$ " dia. x $\frac{9}{16}$ " long ...				2	—	C	
3598	3eN1013	Stop				1	DTD364A	C	
28W/3073	AGS160/E	Washer				1	—	C	
3263	1N1008	SEAT, FLIGHT ENGINEER'S, GROUP				1	—	B	
803	4N1013	Spring, arm control				1	Spring Steel	C	
	22N1013	Stop, seat base				2	—	C	
2330	7N1013	Tube, swivel				1	T45	C	
2331	7N943	Washer, swivel tube				1	S1	C	
	23N1013	Washer, bolt, seat stop				2	—	C	
	21N1013	STRAP, SECURING, GROUP				1	—	C	
		SEAT, FLIGHT ENGINEER'S, IN FRONT CENTRE PORTION (1N1265) (Mod. 370)							31/168
		Spares for:—							
2328	2N1013	ARM CONTROL, FOR LOCKING LEVER, GROUP				1	—	C	31/169
		Consisting of:—							
2325	2aN1013	Arm, bar				2	L72	C	31/170
28D/8313	AS1242/9C	Bolt, 2 BA				1	—	C	
2109	AS1909	Knob... ..				1	—	C	31/171
28L/753	A16Y/CT	Locknut, 2 BA				1	—	C	
28Q/6639	AS2227/405	Rivet, snap hd, $\frac{1}{8}$ " dia. x $\frac{15}{16}$ " long ...				1	—	C	
	6N1265	Base, seat casting				1	DTD59A	C	31/172
804	5N1013	Bolt, special, for spring				1	—	C	31/173
2092	8N1013	Collar, seat base				1	DTD59A	C	31/174
3591	1N1210	CUSHION, BACKREST, GROUP ...				1	DTD121	C	29/37
		Spares for:—							
	7N1210	Strap				4	—	C	
1288	13D8441	CUSHION, SEAT, GROUP				1	—	C	29/36
6F/246	—	Harness, safety, type "ZC"				1	—	A	
2329	3N1013	LEVER, LOCKING, GROUP				1	—	C	31/175
		Consisting of:—							
2324	3aN1013	Lever				1	DTD59A	C	31/176
28M/10290	AGS2001/E1	Nut, stiff, $\frac{1}{4}$ " BSF				1	—	C	
802	3bN1013	Pin				1	S1	C	31/177
28Q/10776	AS2277/409	Rivet, snap hd, $\frac{1}{8}$ " dia. x $\frac{9}{16}$ "				2	—	C	
3589	3eN1013	Strap				1	DTD364A	C	
28W/12253	SP13E	Washer, $\frac{1}{4}$ " BSF				1	—	C	
	3N923	Pedestal, seat base				1	DTD59A	C	31/178
3263	4N1265	SEAT, FLIGHT ENGINEER'S, GROUP				1	—	C	31/179
		Spares for:—							
1957	29N1151	Bracket, safety strap, LH				1	—	C	31/180
1958	30N1151	Bracket, safety strap, RH... ..				1	—	C	31/181
803	4N1013	Spring, arm control				1	Spring Steel	C	31/182
	26N1013	Stop, seat base				2	—	C	31/183
2330	7N1013	Tube, swivel				1	T45	C	31/184
	23N1013	Washer, bolt seat stop				2	—	C	
2331	7N943	Washer, swivel tube				1	S1	C	31/185

SHACKLETON Mk. 2

EQUIPMENT (AIRCRAFT)
SEATS AND FITTINGS

Page 313

Ref. No.	Part No.	Description				No. off	Matl. Spec.	Cl. of	Plate and Illust'n No.
		1	2	3	4			St. M.R.	
		SEAT, WIRELESS OPERATOR, IN FRONT CENTRE SECTION (N1197)				1	—		
		Spares for :—							
6D/916	—	Bottle, oxygen... ..				1	—	A	
1161	4N1037	CUSHION, SEAT, GROUP				1	—	A	31/186
3592	1N1213	CUSHION, BACKREST, GROUP				1	—	B	31/187
6F/246	—	Harness, type "Z"				1	—	A	
1951	7N1037	ROD, TIE, GROUP				1	—	C	31/227
		Consisting of :—							
28D/1008151	A25/4E	Bolt, hex.hd, 5" BSF				2	—	C	
1952	8N1037	Bracket				1	DTD278	C	31/228
28K/6137	SP7/G	Fork, joint				2	—	C	
28M/10290	AGS2001/E/1	Nut, stiff, 1/4" BSF				2	—	C	
28M/12091	AGS2001/G/1	Nut, stiff, 5/16" BSF				2	—	C	
28P/913	SP4Y/G7	Pin, steel, 11/32" dia. x .55" long				2	—	C	
28P/12262	SP9/E6	Pin, split, 3/32" dia. x 3/4" long				2	—	C	
1953	9N1037	Rod, tie, 5/16" dia.				1	—	C	31/229
28W/9418921	SP13/E	Washer				2	—	C	
	10N1197	SEAT AND MOUNTING, GROUP ...				1	—		31/188
		Spares for :—							
	2N1037	CHANNEL, MOUNTING, GROUP MECHANISM, HARNESS RELEASE (38N985)				2	—		31/189 31/81
		Spares for :—							
13629	7N794	Bolt, rd.hd, 2 BA for pulley				1	DTD176	C	30/82
4802	47N985	Box, release				1	DTD304	C	30/83
	16N985	Bracket, pulley, LH				1	L72		30/84
	17N985	Bracket, pulley, RH				1	L72		30/85
1949	36N985	Bush, connecting rod to cable				1	L1 or L40	C	30/86
	21N985	Cable, return, 3 cwt., 2' 0" long				1	DTD181		
6864	48N985	CABLE, CONTROL, GROUP				1	—	B	
		Consisting of :—							
	49N985	CABLE, GROUP							
		Consisting of :—							
29H/4073	Bowdenite P19/1	Cable, inner, 3' 6" long (49a N794)				1	—	C	
29H/1870	Bowdenite B1	Cable, outer, 3' 0" long (49b N794)				1	—	C	
29H/919	Bowden PN979B	Ferrule				2	—	C	
29H/1170	Bowden PN84	Nipple, special				1	—	C	
	Bowden AU384	Stop, with locknut				1	—	C	
13228	21N794	Housing, for Bowden cable				1	DTD176	C	30/88
1057	11N985	Housing, spring				1	L1 or L40	C	30/89
2291	37N985	Nipple, special 11/4" dia. x 3/16" long				1	BSS249	C	30/90
1058	14N985	Nipple, special 3/8" dia. x 1/4" long ...				1	3B11	C	30/91
1059	23N985	Spring				1	—	C	30/92
3438	45N985	Claw, bottom				1	DTD171B	C	30/93
3439	46N985	Claw, top				1	DTD171B	C	30/94
	40N985	Clip, release lever				1	—		30/95
13226	24N794	Collar, nipple at lever				1	DTD176A	C	30/97

**EQUIPMENT (AIRCRAFT)
SEATS AND FITTINGS**

Ref. No.	Part No.					Description	No. off	Matl. Spec.	Cl. of	Plate and Illust'n No.
		1	2	3	4				St. M.R.	
MECHANISM, HARNESS RELEASE (38N985) (Cont'd)										
2293	18N985					Guard, pulley, LH	1	L72	C	30/98
2294	19N985					Guard, pulley, RH	1	L72	C	30/99
2295	31N985					Lever, control, LH	1	DTD176A	C	30/100
2297	9N985					Link	1	DTD171A	C	30/102
	Bowden									
29H/1170	PN84					Nipple, return cable	2	—	C	30/103
2298	35N985					Piston	1	—	C	30/104
2299	22N985					Plunger	1	S2 or S11	C	30/105
2617	43N985					Pivot	1	K.Monel	C	30/106
13385	6N794					Pulley	1	L1	C	30/107
7568	12N985					Rod, connecting at cable end	1	DTD176A		
1005	15N985					Spring	1	Spring Steel	C	30/108
2616	44N985					Spring, return	1	Spring Steel	C	30/109
2300	24N985					Washer	2	L1 or L40	C	30/110
2301	25N985					Washer	2	L1 or L40	C	30/111
2302	26N985					Washer	2	L1 or L40	C	30/112
2303	27N985					Washer	2	L1 or L40	C	30/113
	2N1194					SEAT, WIRELESS OPERATOR'S, GROUP	1	—		30/190
						Spares for :—				
						ARMRESTS (15N1187)				
						Spares for :—				
5510	1N1264					ARMREST, RH, GROUP ...	1	—	B	31/191
						Spares for :—				
4275	30N947					Button, push	1	DTD364	C	30/67
	8N1188					Guide	1	BSS668		
4989	28N947					Housing, push button	1	S21	C	
4276	31N947					Nut, leather trimming	1	DTD364	C	30/68
	12N953					Pin, locking	1	S1		
4277	32N947					Spring, push button	1	—	C	30/69
4278	1N1192					ARMREST, LH, GROUP ...	1	—	B	31/192
7265	6N1187					Bearing, arm, tube, LH	1	DTD364	C	
7266	7N1187					Bearing, arm, tube, RH	1	DTD364	C	
7615	9N1187					Block, distance	1	BSS668	C	
7263	11N1187					Plate, bearing	1	L72	C	
7264	5N1187					Plate, support	1	L72	C	
5376	4N1187					Quadrant	1	L72	C	
1956	34N1011					Eyebolt	1	S11	C	31/193
	35N1011					LEG, SEAT, FORWARD, GROUP	2	—		
	36N1011					LEG, SEAT, REAR, GROUP ...	2	—		
	27N1011					Plate, doubling	2	L72		
	12N1000					Plate, link	2	L72		
	21N1011					PLATE, FRONT, GROUP ...	1	—		
	22N1011					PLATE, REAR, GROUP ...	1	—		
1942	24N1011					Tube, spring, return	1	DTD211 & 171B	C	
5103	1Z6901					STOWAGE, LOG, BOOK, GROUP ...	1	—	C	31/194
	2N1199					Washer, spacing, log book stowage ...	1	L72		

SHACKLETON Mk. 2

EQUIPMENT (AIRCRAFT)

Page 315

SEATS AND FITTINGS

Ref. No.	Part No.	Description				No. off	Matl. Spec.	Cl. of St.	Plate and Illust'n No.
		1	2	3	4			M.R.	
		SEAT, RADAR OPERATOR, IN CENTRE SECTION (N1199)							
		Spares for :—							
6D/916	—	Bottle, oxygen...	1	—	A	
1161	4N1037	CUSHION, SEAT, GROUP	1	—	A	31/186
3592	1N1213	CUSHION, BACKREST, GROUP	1	—	B	31/187
6F/246	—	Harness, type "Z"	1	—	A	
	3N1199	SEAT AND MOUNTING, GROUP ...				1	—		31/195
		Spares for :—							
	2N1044	CHANNEL, MOUNTING, GROUP				1	—		31/196
		MECHANISM, HARNESS RELEASE (38N985)							
		Spares for :—							
13629	7N794	Bolt, rd.hd, 2 BA for pulley	1	DTD176		30/82
4802	47N985	Box, release	1	DTD304	C	30/83
	16N985	Bracket, pulley, LH	1	L72		30/84
	17N985	Bracket, pulley, RH	1	L72		30/85
1949	36N985	Bush, connecting rod to cable	1	L1 or L40		30/86
	21N985	Cable, return, 3 cwt., 2' 0" long	1	DTD181		
6864	48N985	CABLE, CONTROL, GROUP ...				1	—	B	
		Consisting of :—							
	49N985	CABLE, GROUP							
		Consisting of :—							
29H/4073	Bowdenite P19/1	Cable, inner, 3' 6" long (49aN794)				1	—	C	
29H/1870	Bowdenite B1	Cable, outer, 3' 0" long (49bN794)				1	—	C	
29H/919	Bowden PN979B	Ferrule ...				2	—	C	
29H/1170	Bowden PN84	Nipple, special ...				1	—	C	
	Bowden AU384	Stop, with locknut ...				1	—		
13228	21N794	Housing, for Bowden cable ...				1	DTD176	C	30/88
1057	11N985	Housing, spring ...				1	L1 or L40	C	30/89
2291	37N985	Nipple, special $\frac{1}{8}$" dia. x $\frac{3}{8}$" long ...				1	BSS249	C	30/90
1058	14N985	Nipple, special $\frac{3}{8}$" dia. x $\frac{1}{4}$" long ...				1	3B11	C	30/91
1059	23N985	Spring ...				1	—	C	30/92
3438	45N985	Claw, bottom ...				1	DTD171B	C	30/93
3439	46N985	Claw, top ...				1	DTD171B	C	30/94
	40N985	Clip, release lever ...				1	—		30/95
13226	24N794	Collar, nipple at lever ...				1	DTD176A	C	30/97
2293	18N985	Guard, pulley, LH ...				1	L72	C	30/98
2294	19N985	Guard, pulley, RH ...				1	L72	C	30/99
2295	31N985	Lever, control ...				1	DTD176A	C	30/100
2297	9N985	Link ...				1	DTD171A	C	30/102
29H/1170	Bowden PN84	Nipple, return cable ...				2	—	C	

EQUIPMENT (AIRCRAFT)
SEATS AND FITTINGS

Ref. No.	Part No.					Description	No. off	Matl. Spec.	Cl. of	Plate and Illust'n No.
		1	2	3	4				St. M.R.	
MECHANISM, HARNESS RELEASE (38N985) (Cont'd)										
2298	35N985					Piston	1	—	C	30/104
2299	22N985					Plunger	1	S2 or S11	C	30/105
2617	43N985					Pivot	1	K.Monel	C	30/106
13385	6N794					Pulley	1	L1	C	30/107
7568	12N985					Rod, connecting at cable end	1	DTD176A	C	
1005	15N985					Spring	1	Spring Steel	C	30/108
2616	44N985					Spring, return	1	Spring Steel	C	30/109
2300	24N985					Washer	2	L1 or L40	C	30/110
2301	25N985					Washer	2	L1 or L40	C	30/111
2302	26N985					Washer	2	L1 or L40	C	30/112
2303	27N985					Washer	2	L1 or L40	C	30/113
5511	1N1194					SEAT, RADAR OPERATOR, GROUP	1	—	A	31/197
Spares for :—										
ARMRESTS (3N1167)										
Spares for :—										
4274	2N1189					ARMREST, RH, GROUP ...	1	—	C	31/198
Spares for :—										
4275	30N947					Button, push	1	DTD364	C	30/67
	8N1188					Guide	1	BSS668	C	
4989	28N947					Housing, push button	1	S21	C	30/68
4276	31N947					Nut, leather trimming	1	DTD364	C	
4988	12N953					Pin, locking	1	S1	C	
4277	32N947					Spring, push button	1	—	C	30/69
4278	1N1192					ARMREST, LH, GROUP ...	1	—	C	31/192
7265	6N1187					Bearing, arm tube, LH	1	DTD364	C	
7266	7N1187					Bearing, arm tube, RH	1	DTD364	C	
7615	9N1187					Block, distance	1	BSS668	C	
7263	11N1187					Plate, bearing	1	L72	C	
7264	5N1187					Plate, support	1	L72	C	
5376	4N1187					Quadrant	1	—	C	
1956	34N1011					Eyebolt	1	S11	C	31/193
	35N1011					LEG, SEAT, FORWARD, GROUP	2	—		
	36N1011					LEG, SEAT, REAR, GROUP ...	2	—		
	27N1011					Plate, doubling	2	L72		
	12N1000					Plate, link	2	L72		
	21N1011					PLATE, FRONT, GROUP ...	1	—		
	22N1011					PLATE, REAR, GROUP ...	1	—		
1942	24N1011					Tube, spring return	1	DTD211	C	
6D/1432	—					Stowage, portable oxygen, Mk. 2 ...	1	—	A	31/199
3749	5Z6901					STOWAGE, LOG BOOK, GROUP ...	1	—		31/194
	2N1199					Washer, spacing, log book stowage ...	1	L72		

SHACKLETON Mk. 2

EQUIPMENT (AIRCRAFT)

Page 317

SEATS AND FITTINGS

Ref. No.	Part No.	Description				No. off	Matl. Spec.	Cl. of St.	Plate and Illust'n No.
		1	2	3	4			M.R.	
		SEAT, FOOTSTEP & CRASH STATION, FOR S.B. OPERATOR, AFT OF FRONT SPAR, IN CENTRE SECTION (D8441)							
	1D8442	Spares for :— BACK AND HEADREST, AT CRASH STATION, GROUP				1	—		31/200
7616	27D8442	Spares for :— FRAME, SUPPORT, FOR HEADREST, GROUP				1	—	C	
3599	2D8442	REST, BACK, GROUP				1	—	B	31/201
1289	3D8442	REST, HEAD, GROUP				1	—	C	31/202
2096	32D8442	STRAP, LEATHER, GROUP				1	—	C	31/203
6D/732	—	Bottle, emergency air (See Services—Emergency Air)				4	—	A	31/204
1288	13D8441	CUSHION, SEAT, GROUP				1	—	C	29/36
3591	1N1210	CUSHION, BACKREST, GROUP				1	—	B	29/37
	1D8454	FOOTREST AND GUARD, GROUP				1	—		
	2D8454	Spares for :— FOOTREST, GROUP				1	—		
	3D8454	GUARD, GROUP				1	—		31/205
		Spares for :—							
28FP/9993392	Oddie No. 212	Stud, fastener				2	—	C	
28FP/1004893	Oddie No. 214	Washer				2	—	C	
2097	2D8441	LEG, FOR SEAT, GROUP				1	—	C	31/206
2098	1D8465	ROD, EXTENSION, CRUTCHING, GROUP							31/207
		Spares for :—							
2099	5D8465	Collar				1	S1	C	31/208
2100	4D8465	Socket, extension				1	S80	C	31/209
2101	6D8465	Spring				1	DTD215	C	31/210
	1N1154	SEAT, S.B. OPERATOR, GROUP				1	—		31/211
		Spares for :—							
1957	29N1151	Bracket, safety belt				1	S3	C	31/126
1958	30N1151	Bracket, safety belt				1	S3	C	31/127
1290	7N1149	RUNNER, FOR SEAT, GROUP				2	—	C	31/212
2104	15N1149	STOP, SEAT, GROUP				1	—	C	31/213
		Spares for :—							
2105	15eN1149	Bolt, locating				1	S1	C	31/214
2106	15fN1149	Housing, spring				1	DTD364A	C	31/215
2289	28bN1053	Knob, for bolt				1	L40		31/216
1052	4SS1237	Spring				1	—	C	31/217
2108	1D8443	STEP AND SEAT PLATFORM, GROUP				1	—	C	31/218
13419	24Z2537	STRAP, FOR AIR BOTTLE, GROUP (See Services—Emergency Air)				8	—	C	
6F/244	—	Strap, lap, safety, type " Z "				1	—	A	31/132

EQUIPMENT (AIRCRAFT)

SEATS AND FITTINGS

Ref. No.	Part No.	Description				No. off	Matl. Spec.	Cl. of St.	Plate and Illust'n No.
		1	2	3	4			M.R.	
3945	1N1009	SEAT, OBSERVER, IN REAR CENTRE SECTION, PORT (Pre Mod. 370)				1	—	B	
		Spares for :—							
2093	15N1008	Adaptor, for safety strap				2	S6	C	
1163	14N1013	CUSHION, SEAT, GROUP				1	—	A	
3589	1N1209	CUSHION, BACKREST, GROUP				1	—	B	
	22N1009	SEAT, C/W BASE, GROUP				1	—		
		Spares for :—							
2328	2N1013	ARM, CONTROL, FOR LOCKING LEVER, GROUP				1	—	C	
		Consisting of :—							
2325	2aN1013	Arm, bar				2	DTD610	C	
28D/8463	AS1882/9C	Bolt, 2 BA x 1.30" long				1	—	C	
2109	AS1909	Knob				1	—	C	
28M/753	A16Y/CT	Locknut, 2 BA				1	—	C	
28Q/6639	AS2227/405	Rivet, snap hd, $\frac{1}{8}$ " dia. x $\frac{5}{16}$ " long				1	—	C	
2327	9N1013	Base, seat (casting)... ..				1	DTD59A	C	
804	5N1013	Bolt, special for spring				1	S1		
2092	8N1013	Collar, seat base				1	T45	C	
2324	3aN1013	Lever				1	DTD59A	C	
2332	6N1013	PEDESTAL, SEAT BASE, GROUP				1	—	C	
802	3bN1013	Pin				1	S1	C	
	3cN1013	Pin, offset				1	—		
	2N1008	SEAT, OBSERVER, GROUP...				1	—		
803	4N1013	Spring, arm, control				1	—	C	
2330	7N1013	Tube, swivel				1	T45	C	
2331	7N943	Washer, swivel tube				1	S1	C	
6F/244	—	Strap, lap, safety, type "Z"				1	—	A	
		SEAT, OBSERVER IN REAR CENTRE PORTION, PORT (3N1265) (Mod. 370)							31/219
		Spares for :—							
2328	2N1013	ARM, CONTROL FOR LOCKING LEVER, GROUP				1	—	C	31/169
		Consisting of :—							
2325	2aN1013	Arm, bar				2	DTD610	C	31/170
28D/8313	AS1242/9C	Bolt, 2 BA				1	—	C	
2109	AS1909	Knob... ..				1	—	C	31/171
28M/753	A16Y/CT	Locknut, 2 BA				1	—	C	
28Q/6639	AS2227/405	Rivet, snap hd, $\frac{1}{8}$ " dia. x $\frac{1}{2}$ " long				1	—	C	
4684	6N1265	Base, seat casting				1	DTD59A	C	31/172
804	5N1013	Bolt, special for spring				1	—	C	31/173
2092	8N1013	Collar, seat base				1	DTD59A		31/174
26FP/3591	1N1210	CUSHION, BACKREST, GROUP				1	—		29/37
		Spares for :—							
	7N1210	Strap				4	—		
26FP/1288	13D8441	CUSHION, SEAT, GROUP				1	—	C	29/36
2324	3aN1013	Lever				1	DTD59A	C	31/176
2332	6N1013	PEDESTAL, SEAT BASE, GROUP				1	—	C	31/220
802	3bN1013	Pin				1	S1	C	31/177
4685	11N1265	SEAT, OBSERVER, GROUP				1	—	B	31/221
		Spares for :—							
1957	29N1151	Bracket, safety strap, L.H.				1	—		31/180
1958	30N1151	Bracket, safety strap, R.H.				1	—		31/181
803	4N1013	Spring, arm control				1	—	C	31/182
6F/244	—	Strap, lap safety type "Z"				1	—	A	
2330	7N1013	Tube, swivel				1	T45	C	31/184
2331	7N943	Washer, swivel tube				1	S1	C	31/185

SHACKLETON Mk 2

EQUIPMENT (AIRCRAFT)
SEATS AND FITTINGS

Ref. No.	Part No.	Description				No. off	Matl. Spec.	Cl. of St.	Plate and Illust'n No.
		1	2	3	4			M.R.	
		SEAT, OBSERVER, IN REAR CENTRE SECTION, STARBOARD (1N1205) (Pre Mod. 370)							
		Spares for :—							
2093	15N1008	Adaptor, for safety strap	2	S6	C		
1163	14N1013	CUSHION, SEAT, GROUP	1	—	A		
3589	1N1209	CUSHION, BACKREST, GROUP	1	—	B		
	3N1205	SEAT, C/W BASE, GROUP	1	—			
		Spares for :—							
2328	2N1013	ARM, CONTROL FOR LOCKING LEVER, GROUP			1	—	C		
		Consisting of :—							
2325	2aN1013	Arm, bar	2	DTD610	C		
28D/8463	AS1882/9C	Bolt, 2 BA x 1.30" long	1	—	C		
2109	AS1909	Knob	1	—	C		
28L/753	A16Y/CT	Locknut, 2 BA	1	—	C		
28Q/6639	AS2227/405	Rivet, snap hd, 1/8" dia.	1	—	C		
2327	9N1013	Base, seat (casting)...	1	DTD59A	C		
804	5N1013	Bolt, special for spring	1	S1	C		
2092	8N1013	Collar, seal base	1	T45	C		
2324	3aN1013	Lever	1	DTD59A	C		
	2N1205	PEDESTAL, SEAT, BASE, GROUP			1	—			
802	3bN1013	Pin	1	S1	C		
803	4N1013	Spring, arm, control	1	—	C		
2330	7N1013	Tube, swivel	1	T45	C		
2331	7N943	Washer, swivel tube	1	S1	C		
6F/244	—	Strap, lap, safety, type "Z"	1	—	A		
		SEAT, OBSERVER IN REAR CENTRE PORTION, STARBOARD (2N1265) (Mod. 370)							31/222
		Spares for :—							
2328	2N1013	ARM, CONTROL FOR LOCKING LEVER, GROUP			1	—	C	31/169	
		Consisting of :—							
2325	2aN1013	Arm, bar	2	DTD610	C	31/170	
28D/8313	AS1242/9C	Bolt, 2 BA	1	—			
2109	AS1909	Knob	1	—	C	31/171	
28L/753	A16Y/CT	Locknut, 2 BA	1	—	C		
28Q/6639	AS2227/405	Rivet, snap hd, 1/8" dia. x 1 1/8" long.	1	—	C		
	6N1265	Base, seat casting	1	DTD59A	C	31/172	
804	5N1013	Bolt, special for spring	1	—	C	31/173	
2092	8N1013	Collar, seat base	1	DTD59A	C	31/174	
26FP/3591	1N1210	CUSHION, BACKREST, GROUP	1	—	C	29/37	
		Spares for :—							
26FP/1288	7N1210	Strap	4	—			
	13D8441	CUSHION, SEAT, GROUP	1	—	C	29/36	
2324	3aN1013	Lever	1	DTD59A	C	31/176	
	2N1205	PEDESTAL, SEAT BASE, GROUP	1	—		31/223	
802	3bN1013	Pin	1	S1	C	31/177	
	11N1265	SEAT, OBSERVER, GROUP	1	—		31/221	
		Spares for :—							
1957	29N1151	Bracket, safety strap, L.H.	1	—		31/180	
1958	30N1151	Bracket, safety strap, R.H.	1	—		31/181	
803	4N1013	Spring, arm control	1	—	C	31/182	
6F/244	—	Strap, lap safety type "Z"	1	—	A		
2330	7N1013	Tube, swivel	1	T45	C	31/184	
2331	7N943	Washer, swivel tube	1	S1	C	31/185	

PAGES 321 to 326 NOT ISSUED.

PLEASE SEE RE THE FRONT INSIDE.

NAME

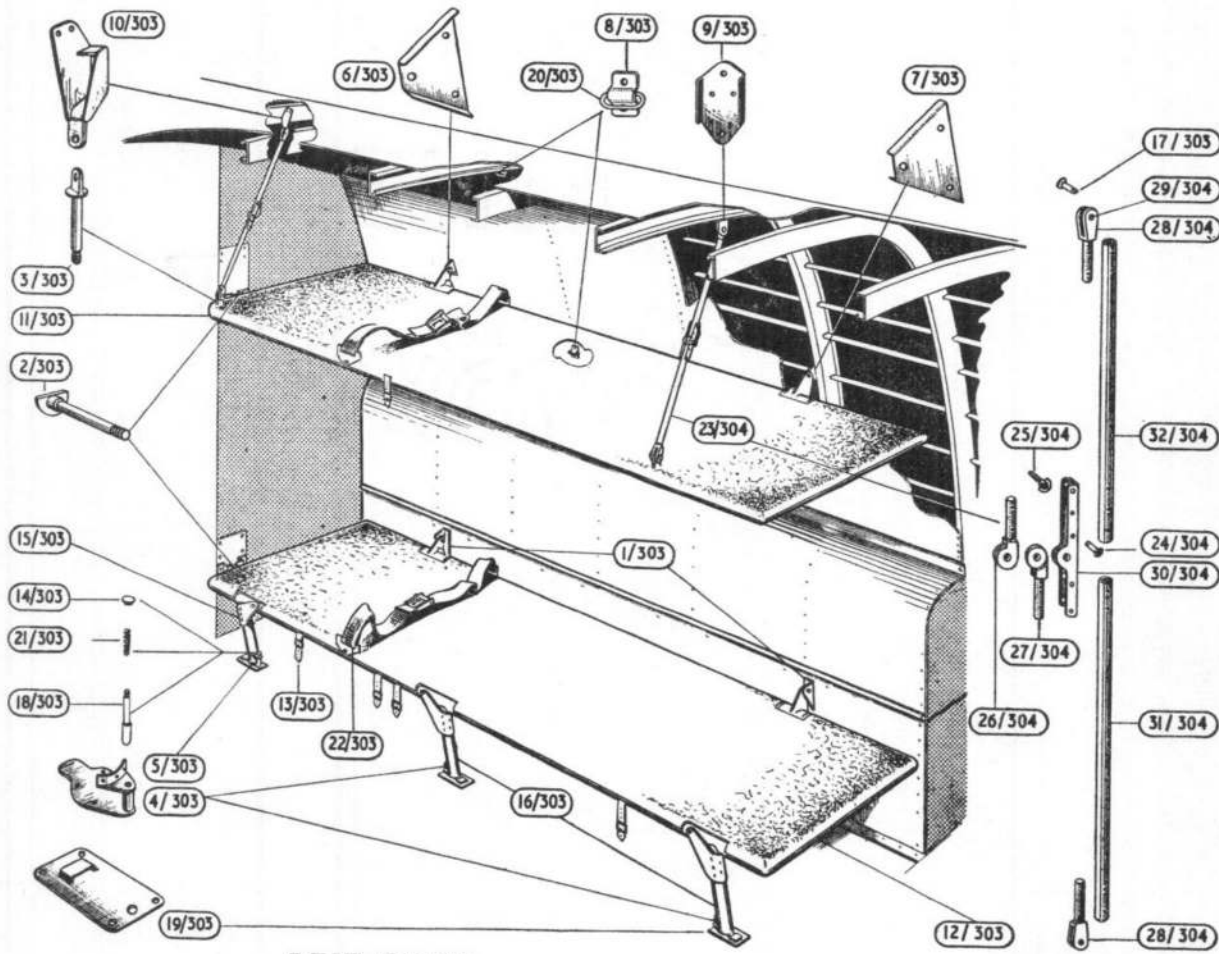
ADDRESS

CITY

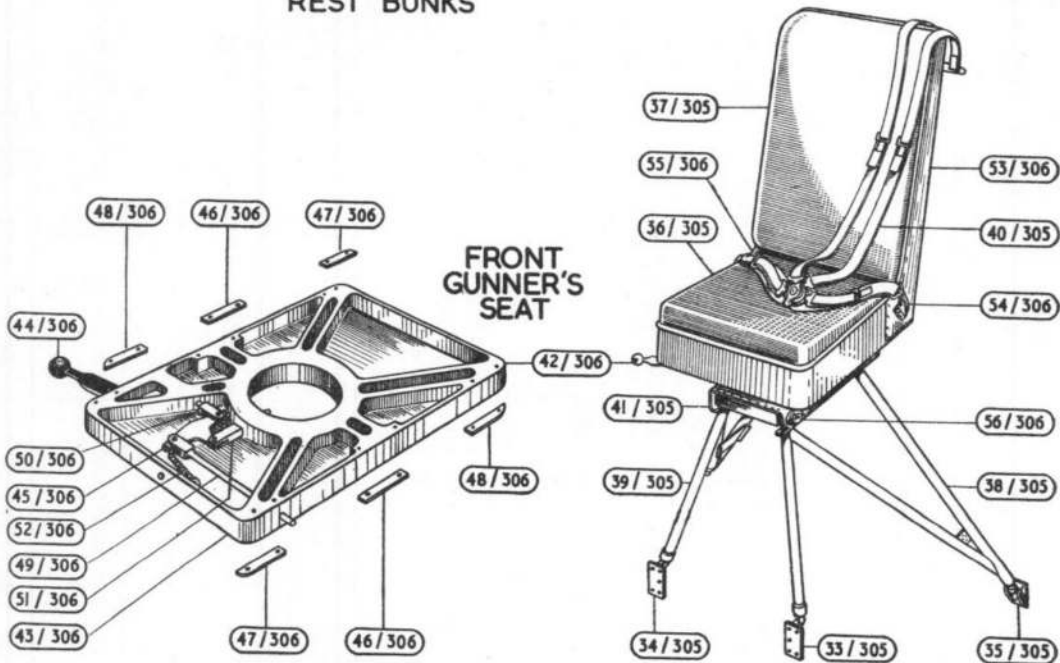
EQUIPMENT (AIRCRAFT)

SEATS AND FITTINGS

Ref. No.	Part No.	Description				No. off	Matl. Spec.	Cl. of St.	Plate and Illust'n No.
		1	2	3	4			M.R.	
SUMMARY OF STOCK ITEMS USED ON SEATS AND FITTINGS									
28D/12528	A25/1B	Bolt , hex.hd, 4 BA x .1" plain	14	—	C C C C C C C C C	
28D/12546	A25/14E	Bolt , hex.hd, 1/4" BSF x 1.4" plain	8	—		
28D/12531	A25/3C	Bolt , hex.hd, 2 BA x .3" plain	42	—		
28D/12532	A25/4C	Bolt , hex.hd, 2 BA x .4" plain	4	—		
28D/12532	AS1882/10C	Bolt , csk.hd, 2 BA x 1.4" long	54	—		
28D/8484	AS1885/1C	Bolt , mush.hd, 2 BA x .50" long	12	—		
28M/10290	AGS2001/E/1	Nut , double anchor, 1/4" BSF	8	—		
28Y/2900	SP1/690C	Shackle	10	—		
28S/2295	AGS252/20	Woodscrew , No. 4 rd.hd. x 1/2" long	48	—		



REST BUNKS



FRONT
GUNNER'S
SEAT

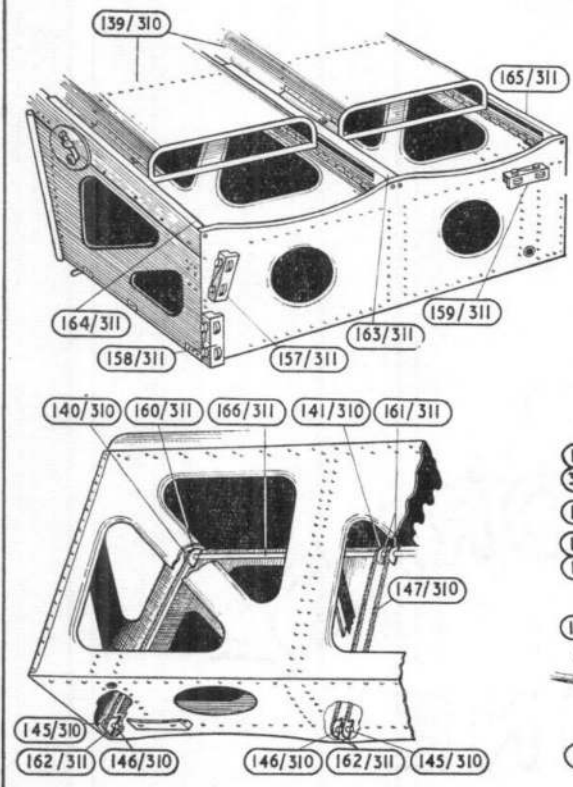
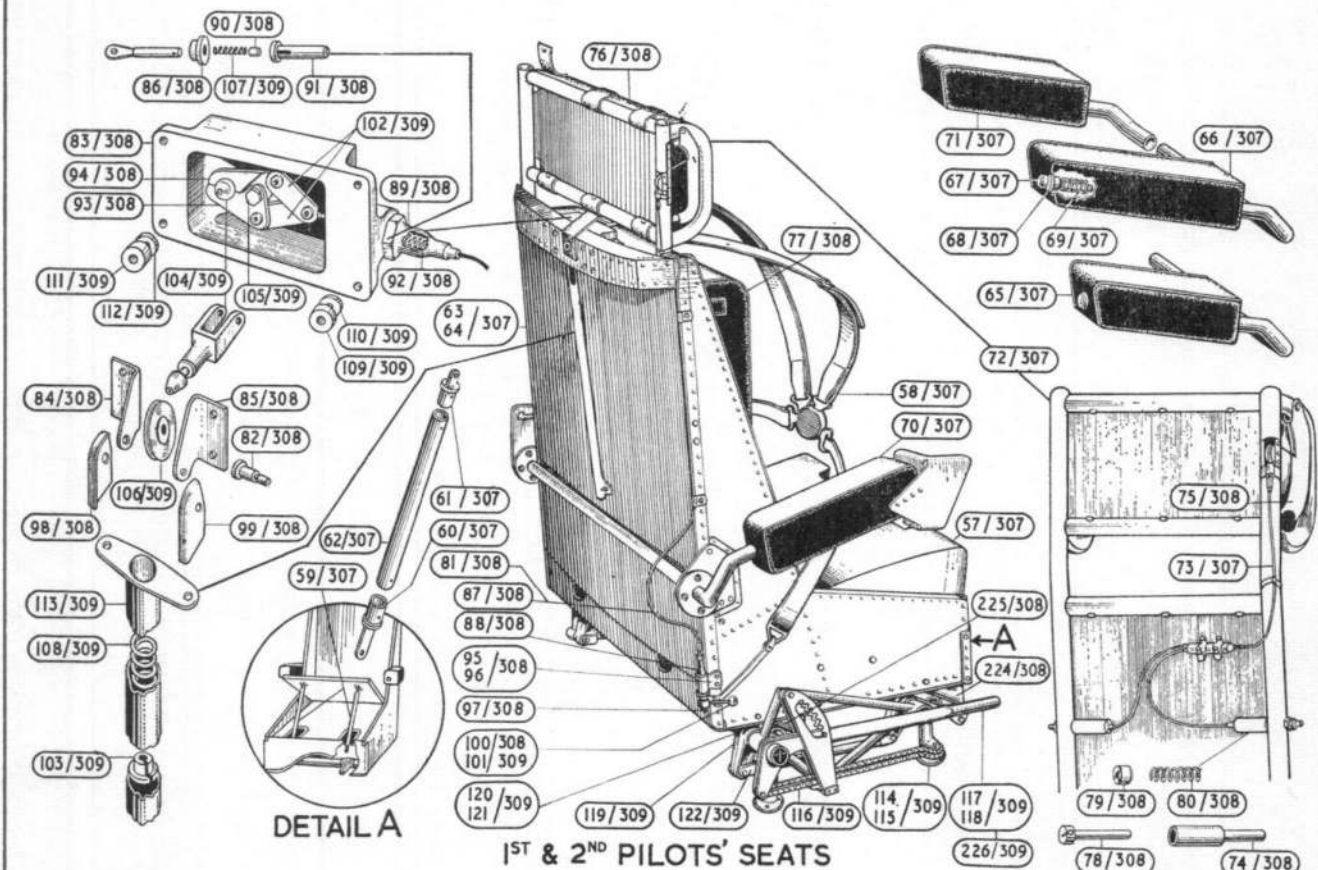
SEATS & FITTINGS (I)

RESTRICTED

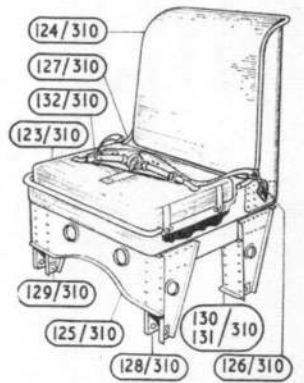
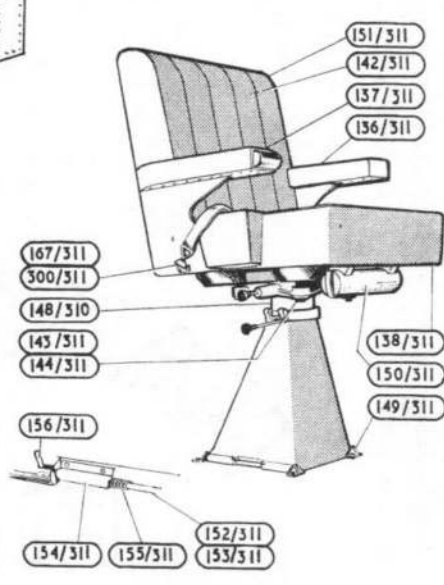


SEATS & FITTINGS

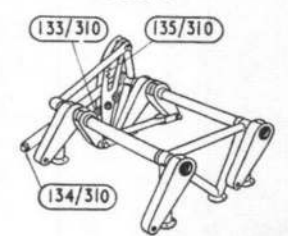
RESTRICTED



**NAVIGATOR'S
ROUTINE SEAT**



**NAVIGATOR'S
ADJUSTABLE SEAT**



SEATS & FITTINGS (2)

RESTRICTED

DATE: 10/20/50
PAGE: 42

RESTRICTED

SEATS & PARTS

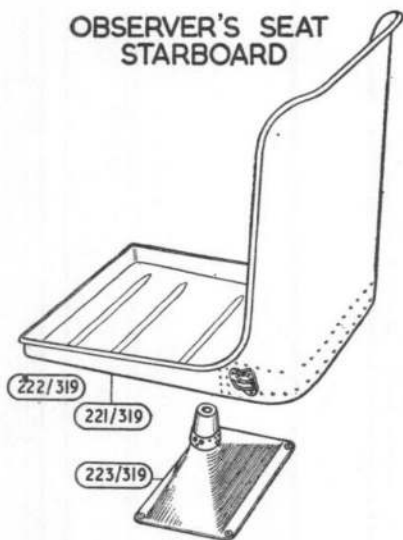
UNITED STATES

RESTRICTED

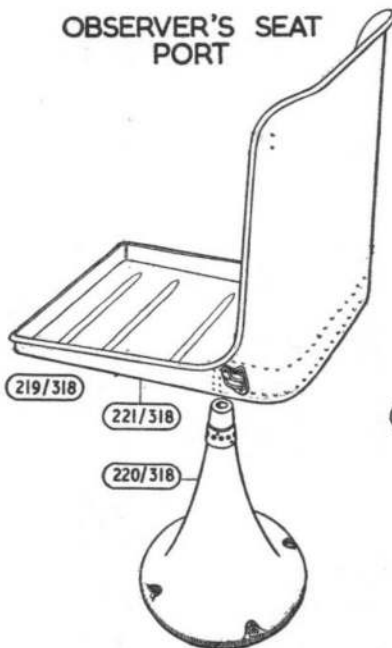
UNITED STATES
NAVY
OFFICE OF THE CHIEF OF BUREAU
NAVY DEPARTMENT
WASHINGTON, D. C.

UNITED STATES
NAVY
OFFICE OF THE CHIEF OF BUREAU
NAVY DEPARTMENT
WASHINGTON, D. C.

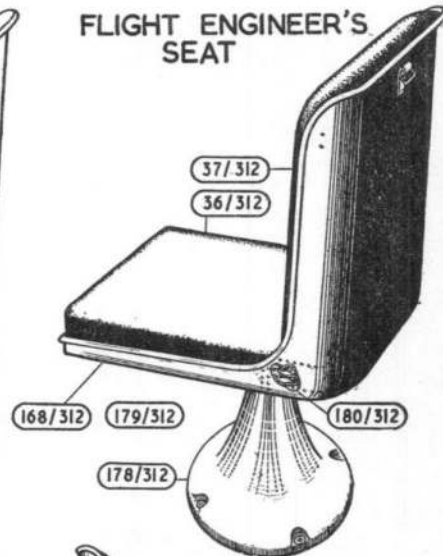
OBSERVER'S SEAT
STARBOARD



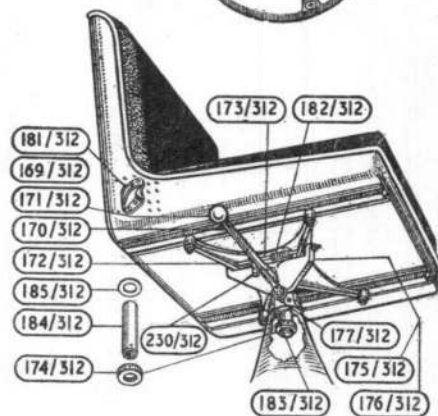
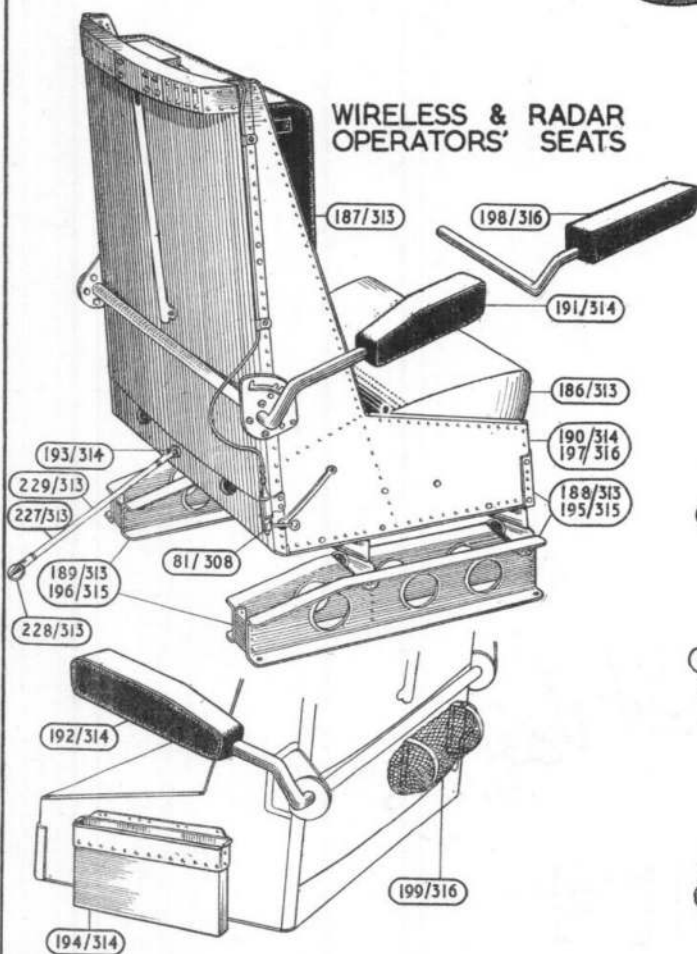
OBSERVER'S SEAT
PORT



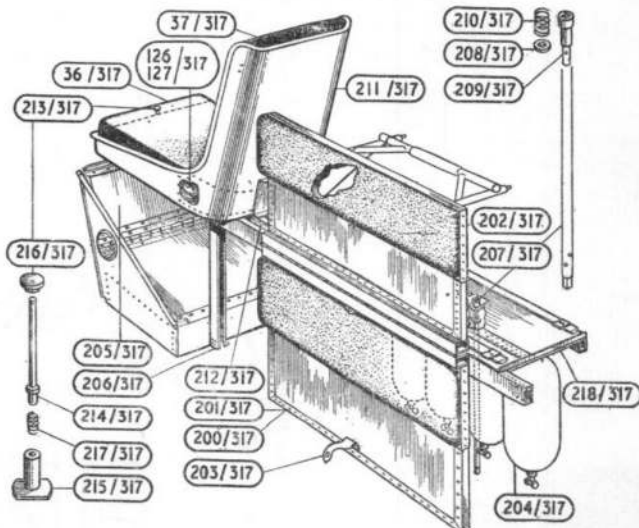
FLIGHT ENGINEER'S
SEAT



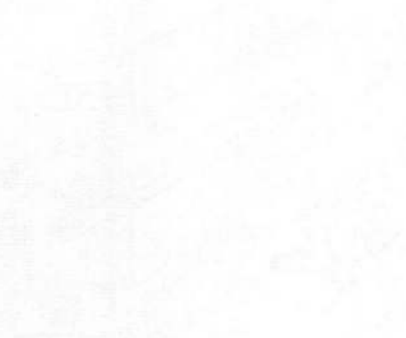
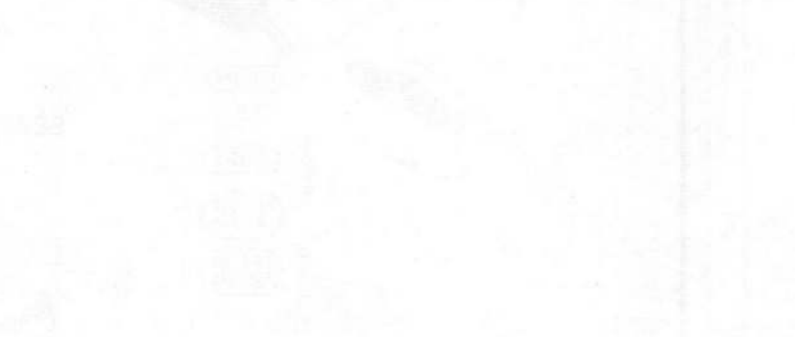
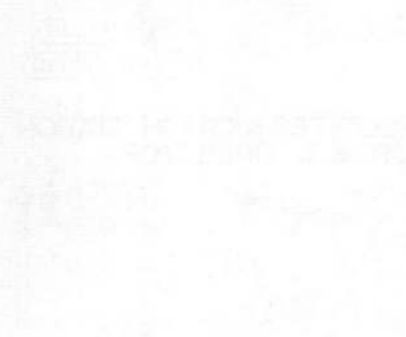
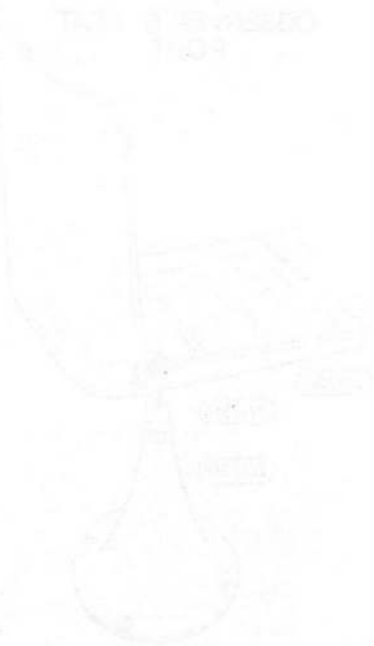
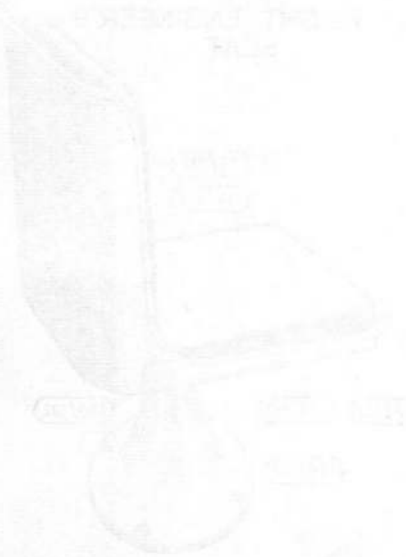
WIRELESS & RADAR
OPERATORS' SEATS



SEAT, FOOTSTEP & CRASH STATION
FOR S. B. OPERATOR



SEATS & FITTINGS (3)



SHACKLETON Mk. 2

EQUIPMENT (AIRCRAFT)

SONO-BUOY

Ref. No.	Part No.	Description				No. off	Matl. Spec.	Cl. of St.	Plate and Illust'n No.
		1	2	3	4			M.R.	
		STOWAGE, SONO-BUOY, IN NOSE, PORT & STARBOARD (X2177 & X2179)							18/85
	2X2179	BLOCK, STRAP, CENTRE, GROUP ...				4	—		2/197
		Spares for :—							
7882	5X2179	Buckle, strap				1	BSS265	C	2/201
7879	6X2179	Plate, strap				2	L72	C	2/218
7880	7X2179	STRAP, C/W BUCKLE, TOP OUTER, GROUP				1	—	C	2/199
4483	36X2009	STRAP, C/W BUCKLE, BOTTOM INNER, GROUP				1	—	C	2/198
4821	50X2009	STRAP, C/W BUCKLE, BOTTOM OUTER, GROUP				1	—	C	2/202
7881	8X2179	STRAP, C/W BUCKLE, TOP INNER, GROUP				1	—	C	2/200
	3X2179	BLOCK, STRAP, BOTTOM, GROUP				2			
		Spares for :—							
7882	5X2179	Buckle, strap				1	BSS265	C	2/201
7879	6X2179	Plate, strap				2	L72	C	2/218
7880	7X2179	STRAP, C/W BUCKLE, TOP OUTER, GROUP				1	—	C	2/199
4483	36X2009	STRAP, C/W BUCKLE, BOTTOM INNER, GROUP				1	—	C	2/198
7881	8X2179	STRAP, C/W BUCKLE, TOP INNER, GROUP				1	—	C	2/200
	4X2179	BLOCK, STRAP, TOP, GROUP ...				2	—		
		Spares for :—							
7882	5X2179	Buckle, strap				1	BSS265	C	2/201
7879	6X2179	Plate, strap				2	L72	C	2/218
7881	8X2179	STRAP, C/W BUCKLE, TOP INNER, GROUP				1	—	C	2/200
4821	50X2009	STRAP, C/W BUCKLE, BOTTOM OUTER, GROUP				1	—	C	2/202
4483	36X2009	STRAP, C/W BUCKLE, BOTTOM INNER, GROUP				1	—	C	2/198

SHACKLETON Mk. 2

EQUIPMENT (AIRCRAFT)

Page 331

SOUNDPROOFING

Ref. No.	Part No.	Description				No. off	Matl. Spec.	Cl. of St.	Plate and Illust'n No.
		1	2	3	4			M.R.	
3754	1Z6979	SOUND PROOFING ASSEMBLIES				1	—	C	
		Spares for :—							
		BLANKET, IN CANOPY ROOF BETWEEN FORMERS B & 1, GROUP							
		SOUND PROOFING IN NOSE PORTION (Z6983)							
		Spares for :—							
7460	22Z6983	BLANKET, FORMERS L & K, PORT, GROUP				1	—	C	
	3Z6983	BLANKET, FORMERS L & K, STARBOARD, GROUP				1	—		
	21Z6983	BLANKET, FORMERS K & J, PORT, GROUP				1	—		
	20Z6983	BLANKET, FORMERS J & H, PORT, GROUP				1	—		
	5Z6983	BLANKET, FORMERS J & H, STARBOARD, GROUP				1	—		
	44Z6983	BLANKET, FORMERS G & H, STARBOARD, GROUP				1	—		
	18Z6983	BLANKET, FORMERS F & G, PORT, GROUP				1	—		
	7Z6983	BLANKET, FORMERS F & G, STARBOARD, GROUP				1	—		
	24Z6983	BLANKET, FORMERS F & G, PORT, GROUP				1	—		
	42Z6983	BLANKET, FORMERS E & F, PORT, GROUP				1	—		
	8Z6983	BLANKET, FORMERS E & F, STARBOARD, GROUP				1	—		
	10Z6983	BLANKET, FORMERS F & G, STARBOARD, GROUP				1	—		
	25Z6983	BLANKET, FORMERS H & J, STARBOARD, GROUP				1	—		
	26Z6983	BLANKET, FORMERS H & J, STARBOARD, GROUP				1	—		
	27Z6983	BLANKET, FORMERS H & J, STARBOARD, GROUP				1	—		
29Z6983	BLANKET, FORMERS F & G, STARBOARD, GROUP				1	—			
30Z6983	BLANKET, FORMERS E & F, STARBOARD, GROUP				1	—			

SHACKLETON Mk. 2

EQUIPMENT (AIRCRAFT)

SOUNDPROOFING

Ref. No.	Part No.	Description				No. off	Matl. Spec.	Cl. of St.	Plate and Illust'n No.
		1	2	3	4			M.R.	
		SOUNDPROOFING, BETWEEN FORMERS "E & 22," PORT (Z5612) (Cont'd)							
	54Z5612	BLANKET, FORMERS B & G, GROUP				1	—		
	9Z5612	BLANKET, BETWEEN FORMERS 12 & 15, GROUP				1	—		
14392	83Z5612	BLANKET, BETWEEN FORMERS 12 & 15, BOTTOM, GROUP				1	—	C	
14383	73Z5612	BLANKET, BETWEEN FORMERS 13 & 16A, TOP, GROUP				1	—	C	
14390	81Z5612	BLANKET, BETWEEN FORMERS 16 & 17, BOTTOM, GROUP				1	—	C	
	66Z5612	BLANKET, BETWEEN FORMERS 16A & 19, TOP, GROUP				1	—		
	15Z5612	BLANKET, BETWEEN FORMERS 19 & 22, TOP, GROUP				1	—		
	25Z5612	BLANKET, BETWEEN FORMERS 17 & 22, MIDDLE, GROUP				1	—		
	26Z5612	BLANKET, BETWEEN FORMERS 17 & 22, BOTTOM, GROUP				1	—		
	55Z5612	BLANKET, FORMERS E & D, GROUP				1	—		
29G/4135	CARRS 670	Button				55	—	C	
29G/4174	CARRS 550A	Eyelet, (clinch type)				30	—	C	
29G/4216	CARRS 82B	Eyelet, (clinch type)				30	—	C	
3670	SS4038	Fastener, double				86	—	C	
3379	1SS4039	Fastener, single				595	—	C	19/15
28G/4136	CARRS 548	Socket				108	—	C	
29G/4173	CARRS 550	Stud				14	—	C	
		SOUNDPROOFING, BETWEEN FORMERS "E & 22" STARBOARD (Z6978)							
		Spares for :—							
	12Z6978	BLANKET, BETWEEN FORMERS "E & C," GROUP				1	—		
5288	17Z6978	BLANKET, BETWEEN FORMERS "C & B," GROUP				1	—	C	
	23Z4825	BLANKET, BETWEEN FORMERS "A & 1," GROUP				1	—		
	34Z6978	BLANKET, BETWEEN FORMERS 1 & 2, GROUP				1	—		
	35Z6978	BLANKET, BETWEEN FORMERS 2 & 4, TOP, GROUP				1	—	C	
	16Z6978	BLANKET, BETWEEN FORMERS 1 & 5, MIDDLE, GROUP				1	—		
	32Z6978	BLANKET, BETWEEN FORMERS 1 & 5, BOTTOM, GROUP				1	—	C	

EQUIPMENT (AIRCRAFT)
SOUNDPROOFING

Ref. No.	Part No.	Description				No. off	Matl. Spec.	Cl. of St.	Plate and Illust'n No.
		1	2	3	4			M.R.	
	3Z6978	BLANKET, BETWEEN FORMERS 4 & 6, GROUP				1	—		
14215	4Z6978	BLANKET, BETWEEN FORMERS 6 & 9, GROUP				1	—	C	
5265	15Z6978	BLANKET, BETWEEN FORMERS 8 & 9, GROUP				1	—	C	
	5Z6978	BLANKET, BETWEEN FORMERS 9 & 10, TOP, GROUP				1	—		
6846	28Z4825	BLANKET, BETWEEN FORMERS 9 & 10, BOTTOM, GROUP				1	—	C	
	6Z6978	BLANKET, BETWEEN FORMERS 10 & 12, GROUP				1	—		
	31Z6978	BLANKET, BETWEEN FORMERS 12 & 15, GROUP				1	—		
	8Z6978	BLANKET, BETWEEN FORMERS 15 & 17, GROUP				1	—		
	9Z6978	BLANKET, BETWEEN FORMERS 17 & 19, GROUP				1	—		
5275	13Z6978	BLANKET, BETWEEN FORMERS 18 & 19, MIDDLE, GROUP				1	—	C	
	10Z6978	BLANKET, BETWEEN FORMERS 19 & 22, TOP, GROUP				1	—		
	11Z6978	BLANKET, BETWEEN FORMERS 19 & 22, BOTTOM, GROUP				1	—		
	14Z6978	BLANKET, BETWEEN FORMERS 19 & 20, MIDDLE, GROUP				1	—		
29G/4135	CARRS 670	Button				32	—	C	
29G/4174	CARRS 550A	Eyelet, (clinch type)				5	—	C	
29G/3670	CARRS 28b	Eyelet, (clinch type)				21	—	C	
3379	SS4038	Fastener, (double)				84	—	C	
	1SS4039	Fastener, (single)				400	—	C	19/15
	S970	Screw, self tapping, $\frac{3}{8}$ " x No. 4				65	—		
29G/4136	CARRS 548	Socket				66	—	C	
29G/4173	CARRS 550	Stud, (clinch type)				14	—	C	

EQUIPMENT (AIRCRAFT)

TOILET

Ref. No.	Part No.	Description				No. off	Matl. Spec.	Cl. of St.	Plate and Illust'n No.
		1	2	3	4			M.R.	
		TOILET, ASSEMBLIES							
		Spares for :—							
		LAVATORY AND VENT PIPE INSTALLATION (11Z4712)							
		Spares for :—							
	10Z4712	HANDRAIL AND TOILET ROLL HOLDER, GROUP				1	—		18/93
		Consisting of :—							
	10bZ4712	Clip, spring				1	—		
	10eZ4712	Holder, clip				1	L72		
	10dZ4712	Plug				2	Hardwood		
28Q/9417224	AGS2050/419	Rivet, tucker, domed head				4	—	C	
	10aZ4712	Tube, 1" o/d x 20g x 17 $\frac{1}{4}$ " long				1	DTD464A		
	10cZ4712	Tube, 1" o/d x 22g x 4 $\frac{1}{2}$ " long				1	DTD464A		
		LAVATORY (9Z4712)							
		Spares for :—							
5384	8Z4712	BASE, MOUNTING LAVATORY, GROUP				1	—	C	18/94
	4Z1325	LAVATORY, GROUP				1	—		
	ELSAN	Consisting of :—							
27H/2487	Type S.A./RAE/5	Lavatory, chemical, Ser. No. 731				1	—	A	18/95
13932	3Z1325	Strip, rubber, $\frac{1}{8}$ " x 1" x 6" long				1	—	C	18/96
6427	14Z4712	Louvre, vent pipe				1	L17	C	18/97
5377	13Z4712	PIPE, VENT, GROUP				1	—	C	18/98
5375	5Z4721	Socket, for handrail				2	T45 and S3	C	
7175	19Z4712	Tray, anti-spillage, for detachable panel				1	L72	C	18/99
7847	20Z4712	Tray, anti-spillage, for base				1	—	C	18/100
		MOUNTING, URINARY CONTAINER BETWEEN FORMERS "E & F," PORT (Z7179)							
		Spares for :—							
	3Z7179	Bracket, at stringer 15				1	L72		18/101
	2Z7179	Bracket, at stringer 19				1	L72		18/102
27H/2315	—	Clip, container				2	—	C	18/103
27H/2255	—	Container, urine				1	—	A	18/104
27H/2316	—	Funnel				1	—	C	18/105

EQUIPMENT (AIRCRAFT)

TOILET

Ref. No.	Part No.	Description				No. off	Matl. Spec.	Cl. of St.	Plate and Illust'n No.
		1	2	3	4			M.R.	
		TUBE, RELIEF & CURTAIN ARRANGEMENT AT ELSAN STATION (24Z7601)							
		Spares for :—							
29G/2172	CARRS No. 248	Base, lift the dot fastener	2	—	C	
1564	T. FRENCH & SON BL2X	Bracket, for fixing curtain (2Z7601)	5	—	C	18/4
27H/2315	—	Clip, hose	1	—	C	
13112	12SS3264	Clip, pipe	1	—	C	
7513	18Z7271	CONTAINER, GROUP				1	—	C	18/119
		Spares for :—							
9954	15Z7271	NUT, KNURLED FOR COVER PLATE, GROUP				4	—	C	
		Consisting of :—							
	15dZ7271	Cord, flexible	1	—		
	4eZ7273	Link, spring	1	DTD627		
	15aZ7271	Nut, knurled, 2 BA	1	S1		
	15cZ7271	Ring, split 1/2" dia. (Terry's Cat. No. 169)	1	—		
	20Z7271	PLATE, COVER, GROUP				1	—		
	25Z7601	Cord, restraining for container	2	—	C	
5218	1Z8284	CURTAIN TOILET INSTALLATION AT FORMER 32, GROUP				1	—	C	18/120
		Consisting of :—							
3761	CARRS No. 670	Button	8	—	C	
	2Z8284	Curtain, fireproof, 6' 0" x 6' 4"	1	D1776		
	4Z7272	Leather, black chrome 1" x 1/8"	1	—		
3762	CARRS No. 548	Socket	8	—	C	
	5Z7272	Strap, leather c/w Socket and Clinch plate	1	—		
	T. FRENCH & SON	Tape, pocket " Rufflette " 62" approx.	1	—		
3379	1SS4039	Fastener, for curtain	8	—	C	19/15
27H/2316	—	Funnel	1	—	C	18/124
6958	T. French & SON R.6	Hook, curtain (6Z7601)	18	—		
	9Z7601	Hose, armoured 7/8" o/d x 5/8" x 30" approx.	2	—	C	
	19Z7601	Pipe, vent	1	T9	C	
29G2096	CARRS No. 708A	Plate, clinch	1	—		
	T. FRENCH & SON B.L.R.	Rail, curtain (3Z7601)...	1	—		
	T. FRENCH & SON B.L. 4	Runner, for curtain (13Z7601)	18	—		
29G/2098	CARRS No. 608	Socket, " lift the dot fastener "	1	—	C	
	T. FRENCH & SON B.L. 5	Stop end, for curtain (5Z7601)	2	—		

SHACKLETON Mk. 2

EQUIPMENT (AIRCRAFT)

WALK-WAY

Ref. No.	Part No.	Description				No. off	Matl. Spec.	Cl. of St.	Plate and Illust'n No.
		1	2	3	4			M.R.	
		WALK-WAY, NON-SLIP, IN FUSELAGE (FORMERS E-22) STARBOARD							
		Consisting of :							
2578	18Z6481					5	DTD610	C	18/106
	85Z6660					1	DTD610		
28Q/9275	AGS2050/424/BS					700	—	C	
28Q/13398	AGS2050/650/BS					150	—	C	
2577	SS4120					20ft	DTD610	C	18/107
		Section, rolled, for joints and ends for retaining "Flexide" floor covering. (Z6481) supplied (in 6' 6" lengths)							
2576	SS4119					67-6"	DTD610	C	18/108
		Section, rolled, for retaining "Flexide" floor covering (Z6481) supplied (in 6' 6" lengths)							
2585	52Z6481					1	—	C	18/109
		Walk-way, "Flexide" rear portion of front centre section							
2586	53Z6481					1	—	C	18/110
		Walk-way, "Flexide" centre portion of front centre section.							
4502	84Z6660					1	—	C	18/111
		Walk-way, "Flexide" front portion of front centre section							
2583	50Z6481					1	—	C	18/112
		Walk-way, "Flexide" rear portion of centre section							
2584	51Z6481					1	—	C	18/113
		Walk-way, "Flexide" front portion of centre section							
2588	71Z6481					1	—	C	18/114
		Walk-way, "Flexide" rear centre section alcove							
2579	36Z6481					1	—	C	18/115
		Walk-way, "Flexide" front at spar cover centre section							
2580	42Z6481					1	—	C	18/116
		Walk-way, "Flexide" rear portion or rear centre section							
2581	47Z6481					1	—	C	18/117
2582	48Z6481					1	—	C	18/118
		Walk-way, "Flexide" front cover plate, centre section							
		Walk-way, "Flexide" centre portion of rear centre section							

PAGE 339 to PAGE 350 NOT ISSUED.

ASBESTOS REMEDIATION REPORT

This file was downloaded
from the RTFM Library.

Link: www.scottbouch.com/rtfm

Please see site for usage terms,
and more aircraft documents.

