

EQUIPMENT, SPECIAL OPERATION (S.O.O.)

DESERT EQUIPMENT

Ref. No.	Part No.	Description				No. off	Matl. Spec.	Cl. of St.	Plate and Illust'n No.
		1	2	3	4			M.R.	
		DESERT EQUIPMENT AND PICKETING GEAR R.C.S. (1Z5700)							
		Consisting of :—							
		GEAR, PICKETING, No. 3 (4Z5700)							
		Consisting of :—							
		EQUIPMENT (7Z5700)							
		Consisting of :—							
4G/520	—	Chocks				2	—	A	
32A/50	—	Cordage (Sisal) (1½" dia.)				100ft	—	C	
1B/4346	—	Kit, tool type "C"				1	—	A	
4G/1309	—	Pickets, spike				12	—	A	
4G/1495	—	Pieces, cross-double				3	—	A	
4755	1Z5703	TRUNK, No. 3, GROUP				1	—	C	32/1
		Spares for :—							
1581	Wilmot Breedon 7/1285	Body, throw-over catch				3	—	C	33/2
	Butlers No. 4	Handle, lifting (12bZ2000)				2	—		33/3
	Wassal & Sons	Hinge, 4" x 2" (59Z5703)				4	—		33/4

EQUIPMENT, SPECIAL OPERATION (S.O.O.)

DESERT EQUIPMENT

Ref. No.	Part No.	Description				No. off	Matl. Spec.	Cl. of St.	Plate and Illust'n No.
		1	2	3	4			M.R.	
		TRUNK, No. 1, DESERT EQUIPMENT ... (2Z5700)				1	—		
		Consisting of :—							
4759	1Z4247	BEARER, TANK, GROUP ...				1	—	C	
		Spares for :—							
	6Z4247	Packing, langite, 1½" x ⅛" x 16" ...				1	—		
13801	1SS1945	Screw adjusting ...				1	S2	C	33/5
	4Z4247	STRAP, TANK, RH, GROUP ...				1	—		33/6
	3Z4247	STRAP, TANK, LH, GROUP ...				1	—		33/7
	27Z4234	Stirrup, throw-over catch ...				2	—		33/8
		EQUIPMENT (5Z5700)							
		Consisting of :—							
23/113	—	Bottle, water ...				5	—	A	
23/80	—	Carrier, water bottle ...				5	—	A	
6E/374	—	Compass, magnetic marching ...				1	—	A	
23/106	—	Container, emergency flying ration ...				5	—	A	
21C/1364	—	Container, ordinary flying ration ...				5	—	A	
27H/2102	—	Heliograph ...				1	—	A	
27P/19	—	Ration, emergency flying ...				10	—	C	
4B/597	—	Strip, ground signalling ...				1	—	A	
27P/10	—	Tin, condensed milk ...				10	—	C	
4758	1Z4233	TANK, WATER, GROUP ...				1	—	A	32/9
4757	1Z5701	TRUNK, No. 1, GROUP... Spares for :—				1	—	A	32/10
1581	Willmot Breedon 7/1285	Body, throw-over catch ...				11	—	C	33/2
	Butlers No. 4	Handle, lifting (12bZ2000) ...				2	—		33/3
	W. Wassall & Sons	Hinge, 4" x 2" (59Z5703)...				2	—		33/11

SHACKLETON Mk 2

EQUIPMENT, SPECIAL OPERATION (S.O.O.)

Page 353

DESERT EQUIPMENT

Ref. No.	Part No.	Description				No. off	Matl. Spec.	Cl. of St.	Plate and Illust'n No.
		1	2	3	4			M.R.	
		TRUNK, No. 2, DESERT EQUIPMENT (3Z5700)				1	—		
		Consisting of :—							
4759	1Z4247	BEARER, TANK				1	—	C	
		Spares for :—							
	6Z4247	Packing, langite, 1½" x ½" x 16"				1	—		
13801	1SS1945	Screw, adjusting				1	S2	C	33/5
	4Z4247	STRAP, TANK, RH, GROUP				1	—		33/6
	3Z4247	STRAP, TANK, LH, GROUP				1	—		33/7
	27Z4234	Stirrup, throw-over catch				2	—		33/8
		EQUIPMENT (6Z5700)							
		Consisting of :—							
	—	Book, AP3031A (Combined Signal Panel Code)				1	—		
23/113	—	Bottle, water				5	—	A	
23/80	—	Carrier, water bottle				5	—	A	
23/106	—	Container, emergency flying ration				5	—	A	
21C/1364	—	Container, ordinary flying ration				5	—	A	
27P/19	—	Ration, emergency flying				10	—	C	
27/10	—	Tin, condensed milk				10	—	C	
4758	1Z4233	TANK, WATER, GROUP				1	—	A	33/9
4756	1Z5702	TRUNK, No. 2, GROUP...				1	—	A	33/12
		Spares for :—							
	Wilmot Breedon	Body, throw over catch				11	—	C	33/2
1581	7/1285	Handle, lifting (12bZ2000)				2	—		33/3
	Butlers No. 4	Hinge, 4" 2" (59Z5703)				2	—		33/11
	W. Wassall & Sons								

SHACKLETON Mk. 2

Page 354

EQUIPMENT SPECIAL OPERATION
DITCHING POSITIONS FOR ELEVEN PASSENGERS

Ref. No.	Part No.	Description				No. off	Matl. Spec.	Cl. of St.	Plate and Illust'n No.
		1	2	3	4			M.R.	
		DITCHING POSITIONS, FOR ELEVEN PASSENGERS (1Z7273)							
		Spares for:—							
26FK/2606	Handley Page Ltd. 672107L/1	Belt, crash, single	5	—	A	
26FK/3159 27C/2165	Handley Page Ltd. 671313L/1	Belt, crash, twin	3	—	A	
	—	Dinghy, type "J" Mk. 4	1	—	A	
4862	2Z7273	STRAP, FOR EMERGENCY PACK, GROUP				2	—	C	
4863	3Z7273	STRAP, FOR EMERGENCY PACK, GROUP				2	—	C	
4864	4Z7273	STRAP, FOR DINGHY STOWAGE, GROUP				1	—	C	
		Spares for:—							
4866	4CZ7273	Bolt, wing	2	—	C	
4865	5Z7273	STRAP, FOR DINGHY STOWAGE, GROUP				1	—	C	

SHACKLETON Mk 2

EQUIPMENT, SPECIAL OPERATION (S.O.O.)

FREIGHT CARRIER AND CONTAINER

Ref. No.	Part No.	Description				No. off	Matl. Spec.	Cl. of St.	Plate and Illust'n No.
		1	2	3	4			M.R.	
120	AT81506	CARRIER, FREIGHT, IN BOMB BAY, GROUP				5	—	A	32/13
		Spares for :—							
2590	AT31270	Adaptor , crutching				2	S11	C	32/14
2591	AT35090	Bolt , through hoisting plates, top				2	S80	C	32/15
2592	AT32915	Bolt , roller				2	S80	C	32/16
	AT32913	Bush , roller				2	S1		32/17
	AT32914	Collar , roller				4	S1		32/18
2593	AT81504	DOOR, ACCESS, IN CARRIER, GROUP				1	—	A	32/19
2594	AT81505	DOOR, ACCESS, IN CARRIER, GROUP				1	—	A	32/20
		Spares for :—							
27FP/148	Dzus A4-35	Fastener				13	—	C	
27FP/309	Dzus GA4-250	Grommet				13	—	C	
	AT36897	Hinge				4	—		
	Aviation Developments								
1555	A413/HTS	Pin , pip release 1/4" dia.				8	—	C	32/21
	AT32912	Pin , through hoisting plate				2	S11		32/22
	AT32911	Pin , holding adaptor				2	S80		32/23
2596	AT61957	Plate , hoisting				4	DTD166	C	32/24
2595	AT30461	Roller				4	S80	C	32/25
	AT35091	Tube , distance				2	S80		32/26
	AT35032	Tube , distance				6	T4		32/27
	AT35094	Washer				2	DTD166		32/28
	AT32909	Washer				4	S1		32/29
119	AT81501	CONTAINER, FREIGHT IN BOMB BAY, GROUP				5	—	A	32/30

SHACKLETON Mk. 2

EQUIPMENT, SPECIAL OPERATION (S.O.O.)

LIFEBOAT MOUNTING AND CARRIER

Ref. No.	Part No.	Description				No. off	Matl. Spec.	Cl. of	Plate and Illust'n No.
		1	2	3	4			St. M.R.	
MOUNTING AND CARRIER FOR LIFE-BOAT (1 AT 81535) (Mod. 177)									
Spares for :—									
3562	AT62027	Block, connecting	1	S96	C	32/31
3563	AT36977	Bolt, special $\frac{7}{16}$ " BSF	1	S96	C	33/32
3564	AT37169	Bolt, special $\frac{3}{8}$ " BSF	2	S96	C	33/33
3565	AT37324	Bolt, special	1	S96	C	33/34
13718	2D3218	Bolt, for connecting block	1	S2 or S11	C	33/35
3566	AT36976	Bolt, special $\frac{7}{16}$ " BSF	1	S96	C	33/36
3567	AT62028	BRACKET, TOP, GROUP	1	—	C	33/37
3568	AS1332/58	Cable, assembly 58" long	1	—	C	33/38
	AT37044	Clip, for winch tube	1	S3		
3569	11D6690	CLIP BRACKET, TOP, GROUP	1	—	C	33/39
3570	5D6693	Eyebolt, fork end	2	—	C	33/40
3571	AT37285	Eyebolt	1	S21 or S1	C	33/41
3572	AT37323	Ferrule	1	S96	C	33/42
3573	AT62024	Fork-end	1	DTD364B	C	33/43
3574	AT62025	Fork-end	1	DTD364B	C	33/44
3575	AT62026	Fork-end	2	DTD364B	C	33/45
3576	AT81536	FRAME, SUSPENSION PORT, GROUP	1	—	C	33/46
3577	AT81537	FRAME, SUSPENSION STARBOARD, GROUP	1	—	C	33/47
11A/3684	—	Housing, dust cover	1	—	C	33/48
11A/3674	—	Housing, release	1	—	A	
3578	AT37159	LEVER, MANUAL RELEASE, GROUP	1	—	C	33/49
3579	AT37158	Link, static line	1	—	C	33/50
3580	AT37340	Nut, lock LH $\frac{3}{4}$ " BSF	1	—	C	33/51
3581	AT37339	Nut, lock 1" BSF	1	S1	C	33/52
3582	AT37336	Pin, front stay	1	—	C	33/53
3583	7D6694	Plug, mechanical release	1	L40	C	33/54
3593	AT37040	STAY, FRONT, GROUP	1	—	C	33/55
STRUCTURE, CRUTCHING, GROUP (AT81560)									
Spares for :—									
2592	AT32915	Bolt, special for hoisting plate	1	—	C	33/56
2591	AT35090	Bolt, special for hoisting plate	1	—	C	33/57
3584	AT37078	Rod, adjusting	1	S1	C	33/58
3585	AT37077	Wheel, hand	1	DTD364B	C	33/59
3586	AT37046	Tie-rod	1	S96	C	33/60
3587	AT37047	Turnbuckle	1	S96	C	33/61
11A/3673	—	Unit, E.M. release No. 3	1	—	A	33/62

SHACKLETON Mk 2

EQUIPMENT, SPECIAL OPERATION (S.O.O.)

MID-TURRET COVER

Ref. No.	Part No.	Description				No. off	Matl. Spec.	Cl. of St.	Plate and Illust'n No.
		1	2	3	4			M.R.	
128	1D7487	COVER AND EMERGENCY EXIT MID-TURRET POSITION, GROUP (Pre.Mod. 344)				1	—	A	
	31D7487	COVER AND EMERGENCY EXIT MID-TURRET POSITION, GROUP (Mod. 344) (Pre.Mod. 674)				1	—	A	32/98
3647	13D7487	Spares for :— Bar, operating, sliding pin				2	S1	C	32/99
2395	1D7507	DOOR, EMERGENCY EXIT, GROUP (Pre.Mod. 344) (This component is interchangeable with Ref. 693)				1	—	C	
693	1D6864	DOOR, EMERGENCY EXIT, GROUP (Mod. 344)				1	—	C	32/100
	29D7487	Lock, double handle (Pre.Mod. 42) (Pre.Mod. 344)				1	—	C	
1426	567D6480	Lock, double handle (Mod. 42) (Pre.Mod. 344)				1	—	C	
4746	AT62196	Lock, double handle (Mod. 344) (For breakdown see page 433)				1	—	C	32/101
3649	10D7487	Pin, sliding				1	S1	C	32/102
3650	267D6480	Pin, sliding				2	S1	C	32/103
3651	13D6766	Plate, lock doubling (Pre.Mod. 344)				1	DTD610	C	32/104
	35D7487	Plate, lock doubling (Mod. 344)				1	DTD610		
3652	264D6480	Plate, catch				2	S3	C	32/105
3653	14D7487	Rod, operating (Pre.Mod. 344)				1	S1	C	
3654	15D7487	Rod, operating, aft				1	S1	C	32/106
	33D7487	Rod, operating, fwd.				1	—	C	32/107
694	410D6480	Seal, rubber				1	—	C	32/108
		COVER, MID. UPPER TURRET AND EMERGENCY EXIT (39D7487) (Mod. 674) Spares for :—							
3647	13D7487	BAR, OPERATING, FORWARD AND REAR, INBOARD, GROUP				2	—	C	32/99
	AT36848	Eye-end, for operating rods				3	—		
	40D7487	HANDLE, FOR COVER, FORWARD AND REAR, CENTRE, GROUP				2	—		

EQUIPMENT, SPECIAL OPERATION (S.O.O.)

MID-TURRET COVER

Ref. No.	Part No.	Description				No. off	Matl. Spec.	Cl. of St.	Plate and Illust'n No.
		1	2	3	4			M.R.	
10959	AT62987	LOCK, FLUSH FITTING DOOR, GROUP				1	—	A	
		Consisting of :—							
	AT62200	Body , main lock				1	DTD300A		
28D/8300	AS1242/1B	Bolt , csk.hd, 4 BA x 0.45"				4	—	C	
28D/8309	AS1242/4C	Bolt , csk.hd, 2 BA x 0.8"				1	—	C	
28D/8310	AS1242/6C	Bolt , csk.hd, 2 BA x 1.0"				1	—	C	
28D/8311	AS1242/7C	Bolt , csk.hd, 2 BA x 1.1"				1	—	C	
	AT36856	Bolt , pivot, $\frac{7}{16}$ "				4	S2		
	AT36854	Cover				1	DTD300A		
13565	AT37206	Handle , inner				1	DTD300A	C	
13564	AT62070	Handle , outer				1	DTD300A	C	
13877	AT37205	Lever				1	DTD300A	C	
7262	AT37207	Pin				1	S2	C	
	AT37214	Plug , blanking				4	BSS668		
	AT36841	Plunger				1	S1		
	AT36875	Screw				1	S1		
	AT39575	Spider				1	S1		
13878	AT37209	Spring , main				1	Spring Steel	C	
13879	AT36874	Spring , inner handle				1	Spring Steel	C	
13563	AT37208	Tube				1	S1	C	
	AT36851	Tube , distance				1	T35		
28W/416643	SP47/C	Washer , 2 BA				4	—	C	
693	1D6864	PANEL, EMERGENCY EXIT, GROUP				1	—	C	
		Spares for :—							
	9D6864	Grip , hand				2	BSS668		
4700	7D6864	Pin , locating				2	S1-S3	C	
	5D6864	Plate , catch				1	S3		
	6D6864	Plate , catch				1	S3		
3650	267D6480	Pin , sliding, forward and aft				2	S1	C	32/103
3649	10D7487	PIN, SLIDING, CENTRE, GROUP ...				1	—	C	32/102
	33D7487	ROD, OPERATING, FORWARD, GROUP				1	—		32/107
3654	15D7487	ROD, OPERATING, AFT, GROUP ...				1	—	C	32/106
	AT36847	Rod , connecting, for operating rods and sliding pin, centre				3	—		
694	410D6480	Seal , rubber (made from 13SS3853) ...				1	—	C	32/108

EQUIPMENT, SPECIAL OPERATION (S.O.O.)

OXYGEN CRATE

Ref. No.	Part No.	Description				No. off	Matl. Spec.	Cl. of St.	Plate and Illust'n No.
		1	2	3	4			M.R.	
2574	1Z5347	CRATE, OXYGEN, IN BOMB BAY, FRONT C/SECTION, GROUP				1	—	A	32/63
		Spares for :—							
3422	45Z5347	Adaptor, flanged				2	BSS251	C	32/64
2453	1SS3859	Clip, for pipe				1	—	C	32/65
13570	106Z2165	CAP, BLANKING & CHAIN, GROUP				1	—	C	32/66
2540	2Z5347	CRATE, OXYGEN, GROUP				1	—	C	32/67
		Spares for :—							
		POINT, SUSPENSION (1Z5409)							
		Spares for :—							
2590	AT31270	Adaptor, ball end				1	S11	C	32/14
	AT33153	Bolt, suspension				1	—		32/68
2592	AT32915	Bolt				1	S80	C	32/16
7232	AT32913	Bush				1	S1	C	32/17
7235	AT32914	Collar				2	S1	C	32/18
	3Z5409	Hoisting, intermediate				1	—	C	32/69
11A/2884	AT32911	Pin, holding				1	S80	C	32/23
7229	AT32912	Pin				1	S11	C	32/22
	6Z5409	Plate, hoisting				2	—		32/70
2595	AT30461	Roller				2	S80	C	32/25
	AT32917	Spool				1	—		32/71
	4Z5409	Tube, distance				1	—		32/72
7233	AT32909	Washer, special...				2	S1	C	32/29
7913	12Z3553	Tie-rod				8	Steel	C	32/73
7914	15Z3553	Washer				8	—	C	32/74
6D/1398	—	Cylinder (wirewound) 2.250 litre (c/w 5 way piece)				8	—	A	32/75
6D/574	—	Filter				1	—	A	32/76
6D/641	—	Label, non-return valve				2	—	C	
6D/642	—	Label, filter				1	—	C	
	542SS4000	Label " Charge Oxygen "				1	DTD213		
	525SS4000	Label " Feed Oxygen "				1	DTD213		
7986	489SS6000	Label " Feed Charge Oxygen " etc.				1	DTD213		
6D/603	—	Piece, 3 way				6	—	C	32/77
7595	37Z5347	PIPE, 3 WAY PIECE, TO 3 WAY PIECE, GROUP				1	—	C	
7596	38Z5347	PIPE, 3 WAY PIECE, TO 3 WAY PIECE, GROUP				1	—	C	
7597	39Z5347	PIPE, 3 WAY PIECE, TO 3 WAY PIECE, GROUP				1	—	C	
7598	40Z5347	PIPE, 3 WAY PIECE, TO 3 WAY PIECE, GROUP				1	—	C	

EQUIPMENT, SPECIAL OPERATION (S.O.O.)

OXYGEN CRATE

Ref. No.	Part No.	Description				No. off	Matl. Spec.	Cl. of St.	Plate and Illust'n No.
		1	2	3	4			M.R.	
		CRATE, OXYGEN, IN BOMB BAY, FRONT C/SECTION, GROUP (1Z5347) (Cont'd)				1	—		
7599	41Z5347	PIPE, UNION, TO UNION, GROUP				8	—	C	
7600	42Z5347	PIPE, UNION, TO 3 WAY PIECE, GROUP				8	—	C	
7601	46Z5347	PIPE, OXYGEN FEED, COILED, GROUP				1	—	C	
7602	63Z5347	PIPE, UNION, TO MASTER VALVE, GROUP				1	—	C	
7603	64Z5347	PIPE, MASTER VALVE, TO ADAPTOR, GROUP				1	—	C	
7604	65Z5347	PIPE, FILTER, TO MASTER VALVE, GROUP				1	—	C	
7605	66Z5347	PIPE, MASTER VALVE, TO 3 WAY PIECE, GROUP				1	—	C	
3423	50Z5347	PLUG, BLANKING, AND CHAIN, GROUP				1	—	C	32/78
		Consisting of :—							
28D/9133011	A25/2C	Bolt, 2 BA				1	—	C	
	49bZ5347	Chain, " Chandelier " 6" long				1	—	C	
2453	1SS3859	Clip				1	—	C	32/65
	5AZ2164	Lug				1	L72	C	
28M/10288	AGS2001/C1	Nut				1	—	C	
	49aZ5347	Plug, blanking				1	BSS249	C	
	49cZ5347	Ring, split, 3/8" o/d				1	Brass Wire	C	
	46CZ2537	Ring ' D '				1	Brass Wire	C	
28W/3071	AGS160/C	Washer				1	—	C	
6D/425	—	Union, blanking				8	—	C	32/79
6D/427	—	Valve, non-return				2	—	C	32/80
6D/223	—	Valve, master				2	—	C	32/81

EQUIPMENT SPECIAL OPERATION (S.O.O.)

POWER PLANT OR ENGINE CARRIER ADAPTOR IN BOMB BAY

Ref. No.	Part No.	Description				No. off	Matl. Spec.	Cl. of St.	Plate and Illust'n No.
		1	2	3	4			M.R.	
129	1Z7499	CARRIER, (ADAPTOR) FOR ENGINE OR POWER PLANT IN BOMB BAY				1	—		33/82
14684	117Z7499	BLOCK, STOP, FOR BOMB DOOR JACKS, GROUP				4	—	C	
	41Z7499	CARRIER, POWER PLANTED WELDED 7 STRUCTURE				1	—		
2590	AT31270	Adaptor, ball end				4	S11	C	33/14
	55Z7499	BEARING, TOP, FRONT END, GROUP				1	—		
2320	126Z7499	Bolt, cross head to top bearing attachment ...				1	S96		
	55.O.2531	Bolt, hex.hd, 1/2" BSF diagonal member to attachment lug				2	S2	C	33/83
11A/1038	AT30474	Bolt, for side plate attachment				4	S80	C	33/84
11A/735	AT30494	Bolt, for side plate attachment				4	S80	C	33/85
	105Z7499	Bolt, adjusting at side plate				4	S92		
	106Z7499	Bolt, hoisting plate attachment				6	S92		
		BOLT, ENGINE PICK-UP (O.3671) ...				2	—		
		Consisting of:—							
7283	4.O.3671	Bolt, hex.hd, 3/8" BSF				1	—	C	33/86
7282	3.O.3671	Bush, split				1	S96 or S94	C	33/87
7507	6.O.3671	Bush				2	S96 or S94	C	33/88
28M/13123	A27/JS	Nut, slotted, 3/8" BSF				1	—	C	
28P/12527	SP9/C10	Pin, split, 1/8" dia. x 1 1/4" long				1	—	C	
7281	2.O.3671	Plug, taper				1	S96 or S94	C	33/89
13477	4.O.2877	Washer, cap				1	S2	C	33/90
28W/12255	SP13/J	Washer				1	—	C	
		BOLT, ENGINE PICK-UP (O.2877)				2	—		
		Consisting of:—							
13475	5.O.2877	Bolt, hex.hd, 3/8" BSF				1	—	C	57/87
13474	2.O.2877	Bush, split				1	S2	C	57/88
28M/6463	A16Z/JS	Nut, slotted, 3/8" BSF				1	—	C	57/89
28P/5032	AGS784/3	Pin, split, 1/8" dia. x 1" long				1	—	C	57/90
13476	3.O.2877	Plug, taper				1	S2	C	57/91
13477	4.O.2877	Washer, cap				1	S2	C	57/92
28W/6455	AGS946/F	Washer				1	—	C	
		(See pages 709 and 710)							
2595	AT30461	Roller,				8	S80		33/92
	97Z7499	Screw, adjusting				4	S80		33/93
	AT31271	Spool				8	S80		
	AT30499/1	Tube, distance				4	S80		
	AT30499/2	Tube, distance				4	S80		
	130Z7499	Washer, special				1	S3		

SHACKLETON Mk. 2

EQUIPMENT SPECIAL OPERATION (S.O.O.)
POWER PLANT OR ENGINE CARRIER ADAPTOR IN BOMB BAY

Ref. No.	Part No.	Description				No. off	Matl. Spec.	Cl. of St.	Plate and Illust'n No.
		1	2	3	4			M.R.	
		CRADLE ARRANGEMENT, WELDED STRUCTURE (2Z7499)							
	29Z7499	Spares for:— BRACKET, FRONT SUPPORT, GROUP				1	—		
27FP/622	Aviation Development A621 Flexello Castors & Wheels Std.A.875 AT34890 107Z7499 132Z7499	Pin, quick release (Pip type)				4	—	C	
		Wheel & Castor with spigot (32Z7499) ...				4	—		
		Knob				4	—		
		Label, "Warning"				1	L72		
		Nut, special				1	S96		
11A/736	AT30457	Nut				4	S80	C	33/94
7508	58Z7499	Nut, wing special				1	S92	C	
11A/1034	AT31273	Pin, at ball end adaptor				4	S80	C	
11A/1036	AT31272	Pin, at ball end adaptor				4	S80	C	

SHACKLETON Mk. 2

EQUIPMENT SPECIAL OPERATION (S.O.O.)
UNDERCARRIAGE WHEEL CARRIER IN BOMB BAY

Ref. No.	Part No.	Description				No. off	Matl. Spec.	Cl. of St.	Plate and Illust'n No.
		1	2	3	4			M.R.	
4859	1Z7386	CARRIER, UNDERCARRIAGE WHEELS IN BOMB BAY, GROUP				1	—	A	33/95
4861	20Z7386	Spares for:— Nut, wing for tie bolt				1	S92	C	33/96
		TOP ASSEMBLY (2Z7386)							
		Spares for:—							
2590	AT31270	Adaptor, ball end				1	S11		33/14
11A/737	AT30498	Bolt, through hoisting plate				1	—	C	
11A/735	AT30494	Bolt, suspension				1	—	C	33/85
11A/1038	AT30474	Bolt, roller				1	—	C	33/84
4860	14Z7386	BOLT, TIE, GROUP				1	—	C	33/97
11A/1035	AT31274	Bush, at hoisting plate				1	—	C	
11A/736	AT30457	Nut, for hoisting plate				1	—	C	
11A/1036	AT31272	Pin, through ball end adaptor				1	—	C	
11A/1034	AT31273	Pin, through ball end adaptor				1	—	C	
	16Z7386	Plate, hoisting				2	DTD166		
11A/1033	AT31269	Plate, side				2	DTD166	C	
2595	AT30461	Roller				2	S80	C	33/92
	AT31272	Spool				2	—		
	AT30463	Tube, distance				1	—		
	AT30499/1	Tube, distance				1	—		
	AT30499/2	Tube, distance				1	—		

FORM NO. 1
1-64 21223

3110

5075

7080

9085

11090

13095

15100

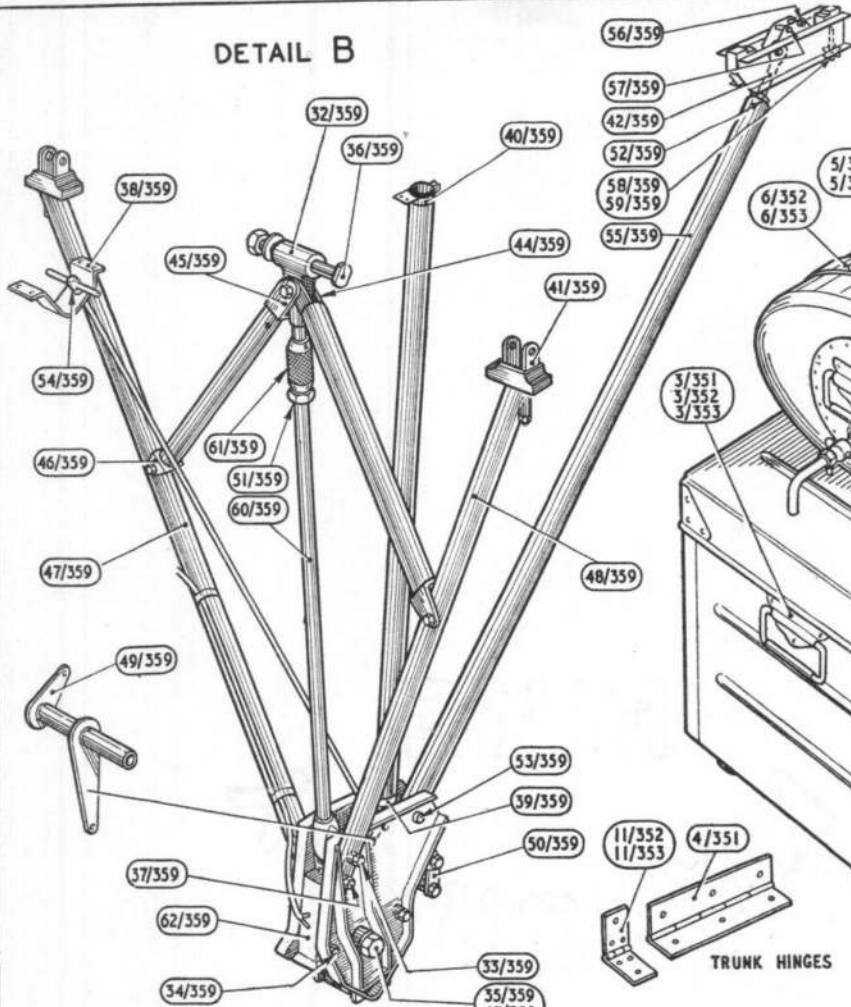
17105

19110

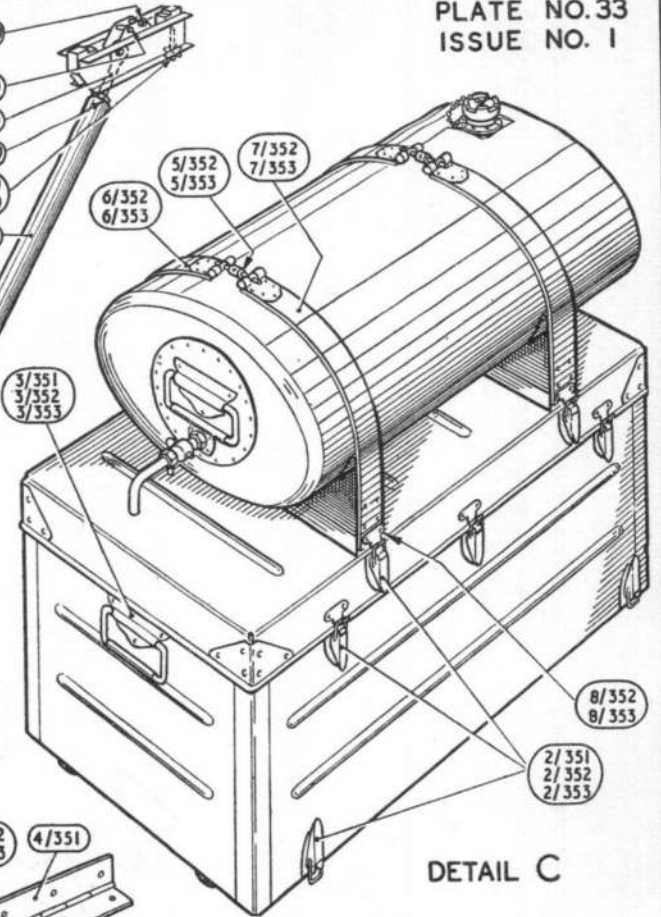
21115



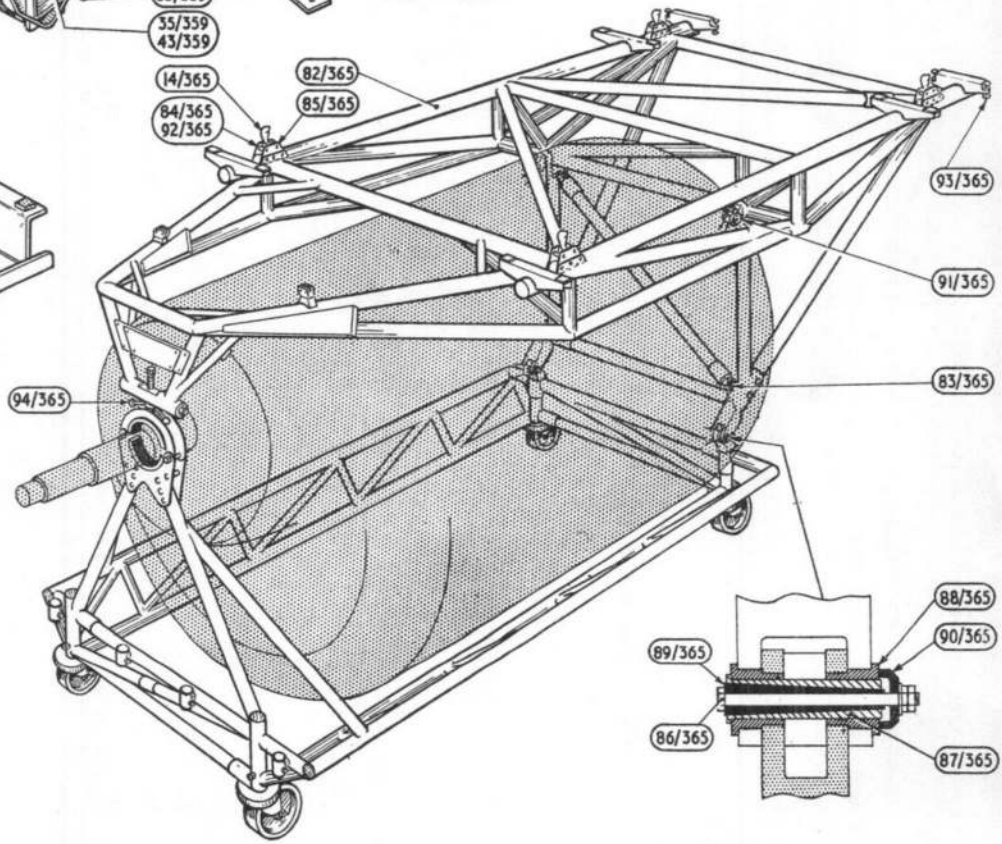
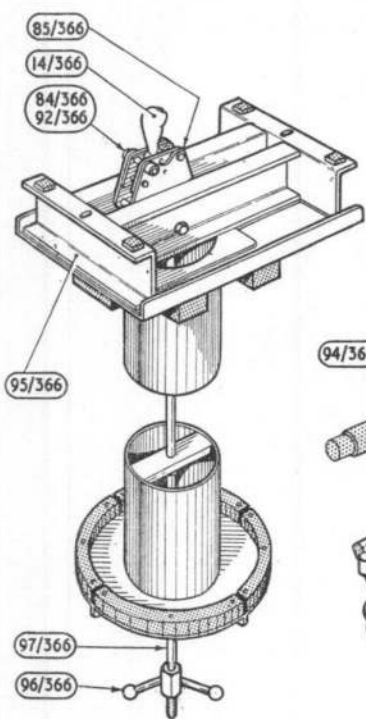
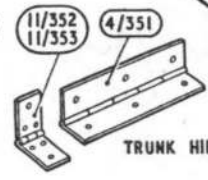
DETAIL B



DETAIL C



TRUNK HINGES

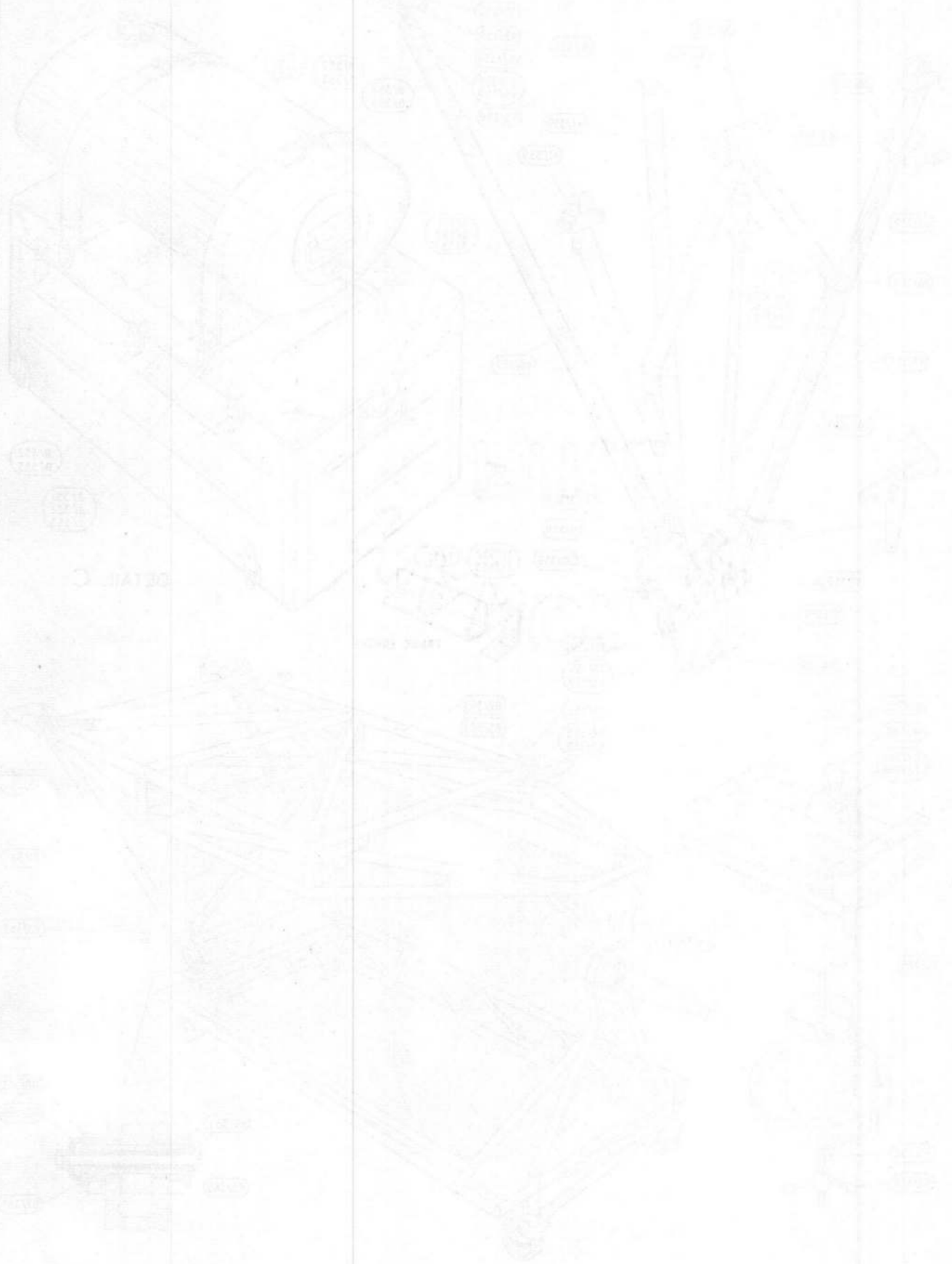


EQUIPMENT, SPECIAL OPERATION (S.O.O.) (2)

RESTRICTED

STATE NO. 33
1963-10-1

STATE NO. 33



DETAIL C

EQUIPMENT, SPECIAL OPERATIONS (S)

RESTRICTED

PAGE 369 TO PAGE 380 NOT ISSUED.

IN THE COURT OF THE COMMON PLEAS

FOR THE COUNTY OF COLUMBIA

FILE

10/1/10

This file was downloaded
from the RTFM Library.

Link: www.scottbouch.com/rtfm

Please see site for usage terms,
and more aircraft documents.

