

**POWER INSTALLATION
FIREPROOF BULKHEADS**

Ref. No.	Part No.	Description				No. off	Matl. Spec.	Cl. of St.	Plate and Illust'n No.
		1	2	3	4			M.R.	
		BULKHEAD, FIREPROOF, ASSEMBLIES (E2339 & E2728)							
		(Complementary items, e.g., attached fittings listed at the end of this assembly will not be supplied with the assembly spare, and must be demanded separately when required)							
		Consisting of:—							
4031	1E2778	BULKHEAD, FIREPROOF, INBOARD, PORT, GROUP (Pre-Mod. 768)				1	—	M/A	58/1
4032	2E2778	BULKHEAD, FIREPROOF, INBOARD, STARBOARD, GROUP (Pre-Mod. 768)				1	—	M/A	58/2
4057	5E2778	BULKHEAD, FIREPROOF, INBOARD, PORT, GROUP (Mod. 768)				1	—	M/A	
4058	6E2778	BULKHEAD, FIREPROOF, INBOARD, STARBOARD, GROUP (Mod. 768)				1	—	M/A	
		Spares for:—							
	442P2437	Adaptor (blank w/m)				1	—		58/3
1484	7E2560	Adaptor (oil return)				1	DTD423	C	58/4
1488	15E2560	Adaptor (fire extinguisher)				1	S1	C	58/5
	69E2341	Box, shroud for ignition plug				1	S3		58/6
	65E2341	Bracket, transmitter				1	L72		58/7
5186	49E1199	Bracket, regulator valve				1	DTD213	C	58/8
1489	8E2560	Bush, fire extinguisher adaptor				1	S1	C	58/9
27H/1991	—	Holder, card				1	—	C	58/10
4952	52E2341	Plate, cover				1	S20	C	58/11
	59E2341	Plate, cover				1	L72		58/12
4954	60E2341	Plate, cover				1	L72	C	58/13
3816	61E2341	Plate, cover				1	S3 or S20	C	58/14
	62E2341	Plate, cover				1	S3 or S20		58/15
6993	16E1199	Plate, sealing bulkhead to sub-frame				4	S3 or S20	C	58/16
13812	18E1199	Plate, sealing bulkhead to sub-frame				2	S3 or S20	C	58/17
13813	19E1199	Plate, sealing bulkhead to sub-frame				2	S3 or S20	C	58/18
5321	14E2560	Plate, packing				1	—	C	58/19
5X/6002	—	Plug, 2 pin type (CZ28180)				1	—	A	58/20
5X/6007	—	Plug, 4 pin type (CZ28181)				2	—	A	58/21
5X/6057	—	Plug, 4 pin type (CZ28191)				1	—	A	58/22
5X/6087	—	Plug, 12 pin type (CZ28197)				4	—	A	58/23
	19E2803	Ring, mounting 18G (Mod. 491)				1	L72		
	DZUS								
28FP/9145889	S6-250	Spring				24	—	C	
27N/72	—	Switch, flame				4	—	A	58/24
6A/2601	—	Transmitter, oil pressure, Mk. 1C				1	—	A	58/25
		(See Service—Oil pressure)							
26EA/33262	107E1199	Tube, breather				1	T9 and L16	C	58/26
1482	3E2560	Union (oil vent pipe)				1	DTD423	C	58/27
1483	4E2560	Union (feathering pipe)				1	L1	C	58/28
13061	ASS3451	Union A.S., anti-icing				1	L1	C	58/29
13244	AASS3451	Union (boost, oil feed and drain)				3	L1	C	58/30
26DD/10094	CSS855	Union (fire extinguisher)				1	B6 or B20	C	58/31
3775	SS3825	Union (air supply)				2	L40	C	58/32

**POWER INSTALLATION
FIREPROOF BULKHEADS**

Ref. No.	Part No.	Description				No. off	Matl. Spec.	Cl. of St.	Plate and Illust'n No.
		1	2	3	4			M.R.	
UNION, OIL SUPPLY (1E2647)									
Consisting of :—									
1486	4E2647	Bearing	1	B8	C	58/33
28D/12512	A25/1C	Bolt, hex.hd, 2 BA x .5" long	2	—	C	
2685	3E2647	Nut	1	S1	C	58/34
2686	5E2647	Plate, backing	1	S3	C	58/35
28Q/1822	AS460-607	Rivet, csk.hd, 90°, $\frac{3}{16}$ " dia. x $\frac{7}{16}$ " long	4	—	C	
28Q/1810	AS460-406	Rivet, csk.hd, 90°, $\frac{1}{8}$ " dia. x $\frac{3}{8}$ " long	3	—	C	
2687	7E2647	Stop	1	DTD423	C	58/36
1485	2E2647	Union	1	DTD423	C	58/37
2684	6E2647	Washer, tab	1	DTD166	C	58/38
28W/3098	AGS162/C	Washer, single spring	1	DTD904	C	
27VB/3002	Hymatic B30562	Valve, regulator (type AR16/1000)	1	—	A	58/39
36DD/45942	KB7107	Washer, tab	2	—	C	58/40
	20E2341	Washer, taper (oil vent)	1	L1		58/41
4030	30E2693	BULKHEAD, FIREPROOF, OUTBOARD, STARBOARD, GROUP (Pre-Mod. 491)				1	—	M/A	58/42
	33E2693	BULKHEAD, FIREPROOF, OUTBOARD STARBOARD, GROUP (Mod. 491) (Pre-Mod. 768)				1	MA		
4029	31E2693	BULKHEAD, FIREPROOF, OUTBOARD, PORT, GROUP (Pre-Mod. 491)				1	—	M/A	58/43
	32E2693	BULKHEAD, FIREPROOF, OUTBOARD PORT, GROUP (Mod. 491) (Pre-Mod. 768)				1	MA		
4056	36E2693	BULKHEAD, FIREPROOF, OUTBOARD, STARBOARD, GROUP (Mod. 768)				1	—	M/A	
4055	35E2693	BULKHEAD, FIREPROOF, OUTBOARD, PORT, GROUP (Mod. 768)				1	—	M/A	
Spares for :—									
1484	7E2560	Adaptor (oil return)	1	DTD423	C	58/4
1488	15E2560	Adaptor (fire extinguisher)	1	S1	C	58/5
	37E2342	Box, terminal	1	S3		58/44
	69E2341	Box, shroud for ignition plug	1	S3		58/6
2536	28E2693	Bracket for Air Intake Drain	1	S3	C	58/76
	65E2341	Bracket, transmitter	1	L72		58/7
1489	8E2560	Bush, fire extinguisher adaptor	1	S1	C	58/9
4957	23E2560	Coupling, pipe ($\frac{3}{8}$ " BSP)	1	S1 or S11	C	58/45
27H/1991	—	Holder, card	1	—	C	58/10
	29E2693	Plate bracket for Air Intake Drain	1	L72		58/77
4952	52E2341	Plate, cover	1	S20	C	58/11
	59E2341	Plate, cover	1	L72		58/12
4954	60E2341	Plate, cover	1	L72	C	58/13
3816	61E2341	Plate, cover	1	S3 or S20	C	58/14
	62E2341	Plate, cover	1	S3 or S20		58/15
5X/6002	—	Plug, 2 pin type (CZ28180)	1	—	A	58/20
5X/6007	—	Plug, 4 pin type (CZ28181)	1	—	A	58/21
5X/6057	—	Plug, 4 pin type (CZ28191)	1	—	A	58/22
5X/6087	—	Plug, 12 pin type (CZ28197)	4	—	A	58/23
	19E2803	Ring, mounting 18G (Mod. 491)	1	L72		
5554	71E2341	Shield	1	S3		
	—	Socket, plug (CZ62272)	1	—		
	DZUS	Spring	19	—	C	
28FP/9145889	S6-250	Switch, flame (Mod. 97)	4	—	A	58/24
27N/72	—								

SHACKLETON Mk. 2

**POWER INSTALLATION
FIREPROOF BULKHEADS**

Page 677

Ref. No.	Part No.	Description				No. off	Matl. Spec.	Cl. of St.	Plate and Illust'n No.
		1	2	3	4			M.R.	
		BULKHEAD, FIREPROOF, OUTBOARD, STARBOARD AND PORT (30&31E2693) (cont'd)							
6A/2601	—	Transmitter (oil pressure, Mk. 1e) ...				1	—	A	58/25
		(See Service—Oil Pressure)							
13061	A/SS3451	Union (A.S., anti-icing)				1	L1	C	58/29
3775	SS3825	Union (air supply)				2	L40	C	58/32
13244	AA/SS3451	Union (boost oil feed, oil drain)				3	L1	C	58/30
26DD/10094	CSS855	Union (fire extinguisher)				1	B6 or B20	C	58/31
1482	3E2560	Union (oil vent pipe)				1	DTD423	C	58/27
6915	414P2437	Union (water methanol feed)				1	L1 or L40	C	58/46
		UNION, OIL SUPPLY, GROUP (8E2647)							
		Consisting of:—							
1486	4E2647	Bearing				1	B8	C	58/33
28D/9436920	A25/1C	Bolt , hex.hd, 2 BA x .5" long				2	—	C	
2685	3E2647	Nut				1	S1	C	58/34
2686	5E2647	Plate , backing				1	S3	C	58/35
28Q/1822	AS460/607	Rivet , csk.hd, 90°, $\frac{3}{16}$ " dia. x $\frac{7}{16}$ " long				4	—	C	
28Q/1810	AS460/406	Rivet , csk.hd, 90°, $\frac{1}{8}$ " dia. x $\frac{3}{8}$ " long				3	—	C	
2687	7E2647	Stop				1	DTD423	C	58/36
	9E2647	Union				1	DTD423	C	58/47
2684	6E2647	Washer , tab				1	DTD166	C	58/38
28W/3098	AGS162/C	Washer , single spring				1	DTD904	C	
5163	42E1200	Washer , sealing				2	Asbestos	C	58/48
5164	43E1200	Washer , sealing				2	Asbestos	C	58/49
5165	44E1200	Washer , sealing				2	Asbestos	C	58/50
5166	45E1200	Washer , sealing				2	Asbestos	C	58/51

SHACKLETON Mk 2

**POWER INSTALLATION
FIREPROOF BULKHEADS**

Ref. No.	Part No.	Description				No. off	Matl. Spec.	Cl. of St.	Plate and Illust'n No.
		1	2	3	4			M.R.	
COMPLEMENTARY ITEMS									
ATTACHMENT FITTINGS									
INBOARD FIREPROOF BULKHEAD, PORT AND STARBOARD (3&4E2339)									
Consisting of :—									
28D/12636	A25/25E	Bolt,	1/4"	BSF	...	14	—	C	1/74
28D/12812	A25/12E	Bolt,	1/4"	BSF	...	1	—	C	
CLIP, DOUBLE (2E1210)									
Consisting of :—									
1634	2cE1210	Clip,	half,	long, complete	...	7	—	C	
1635	2eE1210	Clip,	half,	short, complete	...	7	—	C	
28M/10290	AGS2001/E/1	Nut,	stiff,	1/4" BSF	...	15	—	C	
28W/12253	SP13/E	Washer	16	—	C	
28W/12307	SP18/E	Washer	15	—	C	
OUTBOARD, FIREPROOF BULKHEAD, PORT AND STARBOARD (3&4E2728)									
Consisting of :—									
28D/12813	A25/26E	Bolt,	1/4"	BSF	...	16	—	C	1/75
CLIP, DOUBLE (3E1271)									
Consisting of :—									
2668	3cE1271	Clip,	half,	complete	...	8	—	C	
13485	5.O.2926	Clip,	half,	complete	...	8	—	C	
28M/10290	AGS2001/E/1	Nut,	stiff,	1/4" BSF	...	16	—	C	
28W/12307	SP18/E	Washer	16	—	C	
28W/12352	SP10/E	Washer	16	—	C	

**POWER INSTALLATION
COOLING SYSTEM**

Ref. No.	Part No.	Description				No. off	Matl. Spec.	Cl. of St.	Plate and Illust'n No.
		1	2	3	4			M.R.	
		COOLING SYSTEM FOR HEYWOOD COMPRESSOR AND GENERATOR ASSEMBLIES							
		Spares for :—							
		COOLING SYSTEM FOR HEYWOOD COMPRESSOR AND GENERATOR ON ACCESSORY GEARBOX, INBOARD ENGINES, PORT AND STARBOARD (1&9Q1413)							
		Spares for :—							
5151	16.Q.1413	BRACKET, DUCT SUPPORT, GROUP				1	—	C	59/1
5150	12.Q.1413	Duct, inlet cooling				1	L4	C	59/2
3290	8.Q.1137	Hose, rubber, 2½" i/d x 2¾" o/d x 2¼" ...				2	—	C	59/3
4881	11.Q.1137	Hose, rubber, 2¾" i/d x 3" o/d x 2¼" ...				1	—	C	59/4
860	3.Q.1413	Pipe, compressor, 1½" o/d, starboard ...				1	T9	C	59/5
	8.Q.1413	Pipe, compressor, 1½" o/d, port ...				1	T9	C	59/6
5149	5.Q.1413	Pipe, generator, 2½" o/d, starboard ...				1	T9	C	59/7
3435	14.Q.1413	Pipe, generator, 2½" o/d, port ...				1	T9	C	59/8
5167	6.Q.1413	Pipe, branch generator to inlet duct, port...				1	T9	C	59/9
1267	15.Q.1413	Pipe, branch generator to inlet duct, starboard				1	T9	C	59/10
		COOLING SYSTEM FOR 6KW GENERATOR, OUTBOARD ENGINES, PORT AND STARBOARD (1&2.Q.1651)							
		Spares for :—							
3290	8.Q.1137	Hose, rubber, 2½" i/d x 2¾" o/d x 2¼" ...				2	—	C	59/3
4881	11.Q.1137	Hose, rubber, 2¾" i/d x 3" o/d x 2¼" ...				1	—	C	59/4
914	3.Q.2454	Pipe, generator to joint, 2½" o/d, port ...				1	T9	C	59/11
5152	3.Q.1651	Pipe, joint to inlet duct, 2½" o/d, port ...				1	—	C	59/12
2454	10.Q.2454	Pipe, generator to joint, 2½" o/d, starboard				1	T9	C	59/13
5153	4.Q.1651	Pipe, joint to inlet duct, 2½" o/d, starboard				1	T9	C	59/14

SHACKLETON Mk. 2

**POWER INSTALLATION
FIRE EXTINGUISHER SYSTEM**

Ref. No.	Part No.	Description				No. off	Matl. Spec.	Cl. of St.	Plate and Illust'n No.
		1	2	3	4			M.R.	
		EXTINGUISHER, FIRE, ASSEMBLIES							
		Spares for :—							
		EXTINGUISHERS, FIRE SYSTEM, IN-BOARD ENGINE, PORT AND STARBOARD (Z5579 & Z5451)							
		Spares for :—							
1671	87P2433	Adaptor, pipe to bottle				1	L40	C	60/15
27N/69	—	Bottle, fire extinguisher (12-lb.)				1	—	A	60/16
27N/66	—	Bottle, fire extinguisher (6-lb.)				1	—	A	60/17
27N/87	GRAVINER 262/E	Bracket, for bottle (6-lb.)				1	—	A	60/18
1672	1Z3936	MOUNTING, FOR BOTTLE (12-lb.), GROUP				1	—	C	60/19
		Consisting of :—							
1673	6Z3936	Bolt, special				2	S1	C	60/20
	3Z3936	Channel				1	L72		60/21
	2Z3936	Dish				1	L72		60/22
28Q/10413	AS2230/405	Rivet, csk.hd, $\frac{1}{8}$ " dia. x $\frac{1}{8}$ " long				14	—	C	
28Q/10681	AS2230/406	Rivet, csk.hd, $\frac{1}{8}$ " dia. x $\frac{3}{8}$ " long				8	—	C	
1674	4Z3936	STRAP, HALF, GROUP				4	—	C	60/23
28W/3071	AGS160/C	Washer				2	—	C	
1669	4Z5579	PIPE, BULKHEAD TO JOINT, $\frac{1}{2}$" o/d x 20G, PORT, GROUP				1	T7	C	60/24
1257	5Z5579	PIPE, BOTTLE (12-lb.) TO JOINT, $\frac{3}{4}$" o/d x 20G, PORT, GROUP				1	T7	C	60/25
1258	6Z5579	PIPE, BULKHEAD TO FRONT SPAR, $\frac{3}{4}$" o/d x 20G, PORT, GROUP				1	T7	C	60/26
1256	7Z5579	PIPE, BOTTLE (6-lb.) TO JOINT, $\frac{1}{2}$" o/d x 20G, PORT, GROUP				1	T7	C	60/27
765	4Z5451	PIPE, BOTTLE (12-lb.) TO JOINT, $\frac{3}{4}$" o/d x 20G, STARBOARD, GROUP				1	T7	C	60/28
1666	5Z5451	PIPE, BULKHEAD TO JOINT, $\frac{3}{4}$" o/d x 20G, STARBOARD, GROUP				1	T7	C	60/29
1338	7Z5451	PIPE, BULKHEAD TO BOTTLE (6-lb.) $\frac{1}{2}$" o/d x 20G, STARBOARD, GROUP				1	T7	C	60/30

**POWER INSTALLATION
FIRE EXTINGUISHER SYSTEM**

Ref. No.	Part No.	Description				No. off	Matl. Spec.	Cl. of St.	Plate and Illust'n No.
		1	2	3	4			M.R.	
		EXTINGUISHERS, FIRE SYSTEM, OUTBOARD ENGINE, PORT AND STARBOARD (1Z5468)							
		Spares for :—							
1671 27N/69 27N/66	87P2433 — —	Adaptor , to pipe bottle	1	L40	C	60/15
		Bottle , fire extinguisher (12-lb.)	1	—	A	60/16
		Bottle , fire extinguisher (6 lb.)	1	—	A	60/17
	GRAVINER								
27N/87	262/E	Bracket , for bottle (6-lb.)	1	—	A	60/18
1675	16Z5468	Bracket , half, for bottle	2	S3 & T35	C	60/31
1676	10Z3974	Clip , half, for bottle	2	S3 & T35	C	60/32
13155	6SS1862	Clip , half, for bottle	2	S3 & T35	C	60/33
13327	10SS1862	Clip , half	2	—	C	60/34
1672	1Z3936	MOUNTING, FOR BOTTLE (12-lb.), GROUP				1	—	C	60/19
		Consisting of :—							
1673	6Z3936	Bolt , special	2	S1	C	60/20
	3Z3936	Channel	1	L72	C	60/21
	2Z3936	Dish	1	L72	C	60/22
28Q/10413	AS2230/405	Rivets , csk.hd, $\frac{1}{8}$ " dia. x $\frac{5}{16}$ " long	14	—	C	
28Q/10681	AS2230/406	Rivets , csk.hd, $\frac{1}{8}$ " dia. x $\frac{3}{8}$ " long	8	—	C	
1674	4Z3936	STRAP, HALF, GROUP				4	—	C	60/23
28W/3071	AGS160C	Washer , 2 BA	2	—	C	
1667	3Z5468	PIPE, BULKHEAD TO BOTTLE (12-lb.)				1	T7	C	60/35
		$\frac{3}{4}$ " o/d x 20G, GROUP							
1668	14Z5468	PIPE, BULKHEAD TO BOTTLE (6-lb.)				1	T7	C	60/36
		$\frac{1}{2}$ " o/d x 20G, PORT GROUP							
1670	15Z5468	PIPE, BULKHEAD TO BOTTLE (6-lb.)				1	T7	C	60/37
		$\frac{1}{2}$ " o/d x 20G, STARBOARD, GROUP							
		EXTINGUISHER, FIRE, WATER METHANOL TANK, OUTBOARD NACELLE, PORT AND STARBOARD (1&2P2537)							
		Spares for :—							
1671 27N/66	87P2433 —	Adaptor , pipe to bottle	1	L40	C	60/15
		Bottle , for extinguisher (6-lb.)	1	—	A	60/17
	GRAVINER								
27N/87	262E	Bracket , for bottle	1	—	A	60/18
	97P2433	Bracket , clip	2	S3 & T35	C	60/38
13327	10SS1862	Clip , half, for brackets	2	S3 & T35	C	60/39
3929	33SS1863	Clip , half for flame switch	1	S3 & T35	C	60/40
13091	2SS3264	Clip , pipe spray	6	—	C	60/41
13092	4SS3264	Clip	1	—	C	
1704	15SS1862	Clip , half	1	S3 & T35	C	60/42
	5SS2357	Clip	2	—	C	60/43
28E/10154	AGS605/00	Clip	2	—	C	60/44
	16P2537	PIPE, FEED, $\frac{1}{2}$" o/d x 20G, PORT, GROUP (Mod. 642)				1	L56	C	60/46
	17P2537	PIPE, FEED, $\frac{1}{2}$" o/d x 20G, STARBOARD, GROUP (Mod. 642)				1	L56	C	60/47
	18P2537	PIPE, SPRAY, $\frac{3}{8}$" o/d x 20G, GROUP (Mod. 642)				1	L56	C	60/48
	19P2537	PIPE, SPRAY, $\frac{3}{8}$" o/d x 20G, GROUP (Mod. 642)				1	L56	C	60/49
27N/61	—	Switch , flame	1	—	A	60/45

POWER INSTALLATION
FIRE EXTINGUISHER SYSTEM

Ref. No.	Part No.	Description				No. off	Matl. Spec.	Cl. of St.	Plate and Illust'n No.
		1	2	3	4			M.R.	
SUMMARY OF STOCK ITEMS USED ON FIRE EXTINGUISHER SYSTEM									
28D/12531	A25/3C	Bolt,	hex.hd,	2 BA x .75" long	...	8	—		
28D/12534	A25/9C	Bolt,	hex.hd,	2 BA x 1.35" long	...	4	—		
28D/12515	A25/10C	Bolt,	hex.hd,	2 BA x 1.45" long	...	8	—		
28D/12539	A25/16C	Bolt,	hex.hd,	2 BA x 2.05" long	...	4	—		
28D/12517	A25/17C	Bolt,	hex.hd,	2 BA x 2.15" long	...	14	—		
28D/12707	A25/1E	Bolt,	1/4" BSF hex.hd,	x .06" long	...	4	—		
28M/10287	AGS2001/B/1	Nut,	stiff, hex.hd,	4 BA	...	23	—		
28M/10288	AGS2001/C/1	Nut,	stiff, hex.hd,	4 BA	...	59	—		
28F/9620	AGS1142/D	Nipple,	1/2" BSP	9	—		
28F/8235	AGS1142/F	Nipple,	3/4" BSP	10	—		
28W/3071	AGS160/C	Washer,	2 BA	43	—		
28W/7792	AGS568/F	Washer	4	—		

SHACKLETON Mk. 2

**POWER INSTALLATION
GEARBOX AND ACCESSORIES**

Ref. No.	Part No.	Description				No. off	Matl. Spec.	Cl. of St.	Plate and Illust'n No.
		1	2	3	4			M.R.	
		GEARBOX AND ACCESSORIES ASSEMBLIES							
		Spares for :—							
13545	1Z4248	Cover , waterproof for generator (for Ground Equipment only)				1	—	C	
		GEARBOX, ACCESSORY AND MOUNTING, INBOARD ENGINES, PORT AND STARBOARD (1&2.O.4225)							
		Spares for :—							
2316	13.O.4225	Banjo , for flexible pipe				1	BSS249/251	C	59/50
37G526	—	Circlip (D3723)				1	—	C	
13483	4.O.2926	Clip , half large (long tubes)				2	S3 & T35	C	59/51
13485	5.O.2926	Clip , half large (short tubes)				4	S3 & T35	C	59/52
13484	6.O.2926	Clip , half small (long tubes)				2	S3 & T35	C	59/53
13486	7.O.2926	Clip , half small (short tubes)				2	S3 & T35	C	59/54
37G/508	HYMATIC SH6/10C HYMATIC	Compressor , Heywood (A15192) ...				1	—	A	59/55
5504	CC6	Cowl , Heywood Compressor				1	—	B	
6D/911	—	Drive , cross, Rotol, type CD1/2				1	—	A	59/56
37L/147	GN.16112	Gearbox , accessory, Rotol, type AG2/44 (C/W Oil Feedpipe), port				1	—	A	59/57
37L/5003	—	Gearbox , accessory, Rotol, type AG2/79, starboard (Mod. 286)				1	—	A	59/58
6A/2237	—	Generator , engine, tachometer, Mk. 8 ...				1	—	A	59/59
5UA/4751	—	Generator , type P3-6KW				1	—	A	59/60
2318	8.O.4225	Pipe , flexible to gearbox				1	—	A	59/61
13496	3.O.2925	PLATE, MOUNTING, GEARBOX, GROUP				1	—	A	59/62
37J/1217	—	Pump , hydraulic type 116, Mk. 2A (Starboard only)				1	—	A	59/63
	5.O.2925	Tube , mounting for gearbox				1	DTD563 124A T35	A	59/64

**POWER INSTALLATIONS
GEARBOX AND ACCESSORIES**

Ref. No.	Part No.	Description				No. off	Matl. Spec.	Cl. of St.	Plate and Illust'n No.
		1	2	3	4			M.R.	
		GEARBOX, ACCESSORY AND MOUNTING, OUTBOARD ENGINES, PORT AND STARBOARD (1&2.O.4226)							
		Spares for :—							
2316	13.O.4225					1	BSS249/251	C	59/50
13482	8.O.2905					2	S3 & T35	C	59/66
13483	4.O.2926					2	S3 & T35	C	59/51
13485	5.O.2926					4	S3 & T35	C	59/52
13484	6.O.2926					2	S3 & T35	C	59/53
13486	7.O.2926					2	S3 & T35	C	59/54
6D/911	—					1	—	A	59/56
37L/146	GN.16111					1	—	A	59/67
37L/5004	—					1	—	A	59/68
6A/2237	—					1	—	A	59/59
5U/4751	—					1	—	A	59/60
2317	3.O.4226					1	—	A	59/69
	7.O.3725					1	—	C	59/70
37J/1217	—					1	—		59/63
13487	8.O.2926					1	DTD563	C	59/71
		OIL DRAIN FROM ACCESSORY GEARBOX 1/B STARBOARD (P.2667)							
		Spares for :—							
1066	3.P.2667					1	—	C	59/72
1344	4.P.2667					1	—	C	59/73

SHACKLETON Mk. 2

POWER INSTALLATIONS

Page 689

NACELLE FAIRINGS

Ref. No.	Part No.	Description				No. off	Matl. Spec.	Cl. of St.	Plate and Illust'n No.
		1	2	3	4			M.R.	
		FAIRING, NACELLE ASSEMBLIES (Complementary parts, e.g., inter-component attachments listed at the end of these assemblies will not be supplied with the assembly spares and must be demanded separately when required).							
		Spares for :— FAIRING, NACELLE, AFT OF ENGINE BULKHEAD, INBOARD, PORT AND STARBOARD (9-10.E.2651)							
		Spares for :—							
2846	14E2651	Bolt, central joint (See Controls—Power)...				2	S82	C	16/227
5770	5.E.2525	BRACKET, ATTACHMENT OF U/C DOOR HINGE, BEAM TO BULKHEAD, GROUP				1	—	C	61/1
5771	6.E.2525	BRACKET, ATTACHMENT OF U/C DOOR HINGE, BEAM TO BULKHEAD, GROUP				1	—	C	61/2
	21.E.876	Bracket, attachment of u/c door valance, LH				1	L40 or DTD423		61/3
	22.E.876	Bracket, attachment of u/c door valance, RH				1	L40 or DTD423		61/4
7112	23.E.876	Bracket, attachment of u/c door valance, LH				1	L40 or DTD423	C	61/5
6662	24.E.876	Bracket, attachment of u/c door valance, RH				1	L40 or DTD423	C	61/6
	25.E.876	Bracket, attachment of u/c door valance, LH				1	L40 or DTD423		61/7
7113	26.E.876	Bracket, attachment of u/c door valance, RH				1	L40 or DTD423	C	61/8
	27.E.876	Bracket, attachment of u/c door valance, LH				1	L40 or DTD423		61/9
7256	28.E.876	Bracket, attachment of u/c door valance, RH				1	L40 or DTD423	C	61/10
5754	29.E.876	Bracket, attachment of u/c door valance, LH				1	L40 or DTD423	C	61/11
7257	30.E.876	Bracket, attachment of u/c door valance, RH				1	L40 or DTD423	C	61/12
	25.E.2553	BULKHEAD, REAR CENTRE NACELLE, PORT, GROUP				1	—		61/13
7845	26.E.2553	BULKHEAD, REAR CENTRE NACELLE, STARBOARD, GROUP				1	—	C	61/14

POWER INSTALLATIONS

NACELLE FAIRINGS

Ref. No.	Part No.	Description				No. off	Matl. Spec.	Cl. of St.	Plate and Illust'n No.
		1	2	3	4			M.R.	
		FAIRING, NACELLE, AFT OF ENGINE BULKHEAD, INBOARD, PORT AND STARBOARD (9-10.E.2651) (cont'd)							
118	101.E.1044	DOOR, UNDERCARRIAGE, LH, GROUP				1	—	A	61/15
40	2.E.1044	DOOR, UNDERCARRIAGE, RH, GROUP				1	—	A	61/16
		Spares for :—							
2A/9500417	HOFFMAN C.S.7.	Bearing, ball				1	—	B	
14120	41.E.1044	Block, operating, LH				1	DTD309/298	C	
13462	42.E.1044	Block, operating, RH				1	—	C	
13246	34.E.1044	Eyebolt, rotating				1	S2 or S11	C	61/17
26EA/20508	1.E.838	HINGE, C/W PIN, DOOR, LH, GROUP				1	—	C	61/18
26EA/20505	2.E.838	HINGE, C/W PIN, DOOR, RH, GROUP				1	—	C	61/19
		Consisting of :—							
13247	3.E.838	Hinge, half (undrilled)				3	L72	C	
13248	4.E.838	Hinge, half, LH (undrilled)				1	L72	C	
13251	6.E.838	Hinge, half, RH (undrilled)				1	L72	C	
13252	8.E.838	Hinge, half, LH (undrilled)				1	L72	C	
13253	10.E.838	Hinge, half, RH (undrilled)				1	L72	C	
13249	12.E.838	Hinge, half, LH (undrilled)				1	L72	C	
13254	14.E.838	Hinge, half, RH (undrilled)				1	L72	C	
13250	15.E.838	Pin, hinge, $\frac{3}{8}$" o/d x 17G x 9' 0" long				1	T35	C	61/20
13359	A1578/A	Strip, oil resisting, LH, 9' 3" long (68.E. 1044) (Dunlop)				1	Rubber	C	61/21
	1.E.2773	DRAIN AIR INTAKE GROUP				1	—		61/115
	44.E.2362	FAIRING, REAR NACELLE, GROUP (Mod. 1001)				1	—	A	61/22
5555	40E2362	DOOR ACCESS TO IGNITION ANALYSER, GROUP				1	—	C	
		Spares for :—							
28FP/157	DZUS A.35	Fastener (6.SS.3545)				16	—	C	
28FP/311	DZUS No. 375	Grommet (1.SS.3545)				16	—	C	
3818	15.E.2362	Panel, access				1	L72	C	61/23
28FP/357	No. 100A	Spring				16	—	C	
5769	33E2362	Strip, chafing, 1" x 6' 8"				1	—	C	

SHACKLETON Mk. 2

**POWER INSTALLATION
NACELLE FAIRINGS**

Ref. No.	Part No.	Description				No. off	Matl. Spec.	Cl. of St.	Plate and Illust'n No.
		1	2	3	4			M.R.	
		FAIRING, NACELLE, AFT OF ENGINE BULKHEAD, INBOARD, PORT AND STARBOARD (9-10E2651) (cont'd)							
		Spares for :—							
		FAIRING PANELS AFT OF ENGINE BULKHEAD, PORT AND STARBOARD (1-2E2336)							
		Spares for :—							
5254	5E2336	BRACKET, FAIRING ATTACHMENT, TOP, RH, GROUP				1	—		61/24
5268	6E2336	BRACKET, FAIRING ATTACHMENT, TOP, LH, GROUP				1	—	C	61/25
5027	1E2522	PANEL, FAIRING, TOP FIXED, PORT, GROUP				1	—	C	61/26
		Spares for :—							
	7E2522	BRACKET, FAIRLEAD, GROUP				2	—		61/27
	DZUS								
28FP/9145889	S6-250	Spring, fastener				9	—	C	
6360	2E2522	PANEL, FAIRING, TOP FIXED, STARBOARD, GROUP				1	—	C	61/28
		Spares for :—							
	7E2522	BRACKET, FAIRLEAD, GROUP...				2	—		61/27
	DZUS								
28FP/9145889	S6-250	Spring, fastener				9	—	C	
1323	20E2521	PANEL, FAIRING, TOP PORT, GROUP				1	—	C	61/29
		Spares for :—							
5187	14SS3613	Ejector, swivel, c/w DZUS fastener				4	—	C	
2738	6SS3541	Fastener, complete with blade ...				2	—	C	61/30
	DZUS								
28FP/197	AJ-40	Fastener (9SS3543)				9	—	C	
3433	36E2337	Fastener, c/w blade				9	—	C	
	DZUS								
28FP/317	No. 500	Grommet (1SS3543)				9	—	C	
	DZUS								
28FP/9145889	S6-250	Spring, fastener				2	—	C	
1324	33E2521	PANEL, FAIRING, TOP, STARBOARD, GROUP					—	C	61/31
		Spares for :—							
5187	4SS3613	Ejector, swivel, c/w, DZUS fastener				4	—	C	
2738	6SS3541	Fastener, complete with blade ...				11	—	C	61/30
	DZUS								
28FP/197	AJ-40	Fastener (9SS3543)				9	—	C	
	DZUS								
28FP/317	No. 500	Grommet (1SS3543)				9	—	C	
	DZUS								
28FP/9145889	S6-250	Spring, fastener				2	—	C	

POWER INSTALLATIONS
NACELLE FAIRINGS

Ref. No.	Part No.	Description				No. off	Matl. Spec.	Cl. of St.	Plate and Illust'n No.
		1	2	3	4			M.R.	
		FAIRING PANELS AFT OF ENGINE BULKHEAD, INBOARD, PORT AND STARBOARD (1-2E2336) (cont'd)							
729	1E2337	PANEL, FAIRING, SIDE, OUT-BOARD, PORT, GROUP				1	—	M/A	61/32
		Spares for :—							
1524	1E2668	DOOR, ACCESS, TO FUEL FILTER, GROUP				1	—	C	61/33
		Spares for :—							
3932	5E2441	Chain, chandelier	2	—	C	
2737	11SS3613	Fastener, c/w blade	4	—	C	61/34
5017	2SS4137	Fastener, c/w blade	4	—	C	
	DZUS								
28FP/195	AJ-35	Fastener (8SS3543)	1	—	C	
2738	6SS3541	Fastener, c/w blade	3	—	C	61/30
3278	7SS3541	Fastener, c/w blade	5	—	C	61/35
	DZUS								
28FP/317	No. 500	Grommet (1SS3543)	1	—	C	
730	2E2337	PANEL, FAIRING, SIDE, OUT-BOARD, STARBOARD, GROUP				1	—	M/A	61/36
		Spares for :—							
5017	2SS4137	Fastener, c/w blade	6	—	C	
	DZUS								
28FP/195	AJ-35	Fastener (8SS3543)	1	—	C	
2738	6SS3541	Fastener, c/w blade	3	—	C	61/30
3278	7SS3541	Fastener, c/w blade	5	—	C	61/35
	DZUS								
28FP/317	No. 500	Grommet (1SS3543)	1	—	C	
731	3E2337	PANEL, FAIRING, SIDE, INBOARD, PORT, GROUP				1	—	M/A	61/37
		Spares for :—							
5017	2SS4137	Fastener, c/w blade	6	—	C	
	DZUS								
28FP/195	AJ-35	Fastener (8SS3543)	1	—	C	
2738	6SS3541	Fastener, c/w blade	3	—	C	61/30
3278	7SS3541	Fastener, c/w blade	5	—	C	61/35
	DZUS								
28FP/317	No. 500	Grommet (1SS3543)	1	—	C	
732	4E2337	PANEL, FAIRING, SIDE, INBOARD, STARBOARD, GROUP				1	—	M/A	61/38
		Spares for :—							
1524	1E2668	DOOR, ACCESS, TO FUEL FILTER, GROUP				1	—	C	61/33
		Spares for :—							
3932	5E2441	Chain, chandelier	2	—	C	
2737	11SS3613	Fastener, DZUS c/w blade	4	—	C	61/34
5017	2SS4137	Fastener, c/w blade	4	—	C	
	DZUS								
28FP/195	AJ-35	Fastener (8SS3543)	1	—	C	61/39
2738	6SS3541	Fastener, c/w blade	3	—	C	61/30
3278	7SS3541	Fastener, c/w blade	5	—	C	61/35
	DZUS								
28FP/317	No. 500	Grommet (1SS3543)	1	—	C	

POWER INSTALLATION

NACELLE FAIRINGS

Ref. No.	Part No.	Description				No. off	Matl. Spec.	Cl. of	Plate and Illust'n No.
		1	2	3	4			St. M.R.	
		FAIRING, NACELLE, AFT OF ENGINE BULKHEAD, INBOARD, PORT AND STARBOARD, (9-10E2651) (cont'd)							
		FAIRING PANELS AFT OF ENGINE BULKHEAD, INBOARD, PORT AND STARBOARD (1-2E2336) (cont'd)							
733	1E2338	PANEL, FAIRING, BOTTOM, GROUP				1	—	M/A	61/40
5017	2SS4137	Spares for :— Fastener, c/w blade				10	—	C	
3933	7E1290	LOUVRE, GROUP				1	—	C	61/41
3934	8SS3541	Spares for :— Fastener, c/w blade aft				2	—	C	61/116
3935	9SS3541	Fastener, c/w blade fwd				2	—	C	61/117
13359	Dunlop A1578A	Strip, sealing (oil resisting) (17E1213)				1	Rubber	C	61/42
		FAIRING FOR OIL PIPES ON U/C VALANCE, OUTBOARD, PORT (1E2550)							
		Consisting of :—							
28D/8484	AS1885/1/C	Bolt, mush.hd, 2 BA x .5" long				16	—	C	
3936	3E2550	Fairing				1	L72	C	61/43
28M/1028	AGS2001/C/1	Nut, stiff, 2 BA				8	—	C	
28W/30718	AGS160/C	Washer, 2 BA				8	—	C	
		FAIRING, FOR OIL PIPES ON U/C VALANCE, OUTBOARD, STARBOARD (2E2550)							
		Consisting of :—							
28D/8484	AS1885/1/C	Bolt, mush hd, 2 BA x .5" long				16	—	C	
3937	4E2550	Fairing				1	L72	C	61/44
28M/10288	AGS2001/C/1	Nut, stiff, 2 BA				8	—	C	
28W/3071	AGS160/C	Washer, 2 BA				8	—	C	
1370	1E2742	LINK, U/C DOOR, OPERATING				2	—	A	61/45
		Spares for :—							
13383	17E1060	Bearing (Oilite CTH)				1	—	A	61/46
13256	5E1060	Bolt, arm to sleeve attachment				1	S1	C	61/47
13257	9E1060	Bolt, 2 BA, attachment of sleeve				4	S2 or S11	C	61/48
13258	12E1060	Bolt, link to door				1	S1	C	61/49
13283	11E1060	Bolt, fork				1	S11	C	61/50
13332	13E1060	Bush, fork bolt				1	—	C	61/51
13384	7E1060	Bush...				2	—	C	
	10E2742	Nipple, grease, 1/4" BSF				2	—	—	61/52
13259	8E1060	Packing, sleeve				2	L72	C	61/53
13184	1E1061	Sleeve				1	DTD295	C	61/54
13260	6E1060	Washer				2	S3	C	61/55
2845	13E2651	Piece, distance control joint				2	S82	C	16/246
2847	15E2651	Shroud, control joint				2	R.707	C	16/247
		(See Controls Power Unit)							
4037	80E1311	VALANCE U/C DOOR, OUTBOARD, PORT, GROUP				1	—	M/A	61/56

POWER INSTALLATIONS
NACELLE FAIRINGS

Ref. No.	Part No.	Description				No. off	Matl. Spec.	Cl. of St.	Plate and Illust'n No.
		1	2	3	4			M.R.	
		FAIRING, NACELLE, AFT OF ENGINE BULKHEAD, INBOARD, PORT AND STARBOARD (9-10E2651) (cont'd)							
4040	82E1311	VALANCE U/C DOOR, OUTBOARD, STARBOARD, GROUP				1	—	M/A	61/59
6826	2E921	Spares for :— DOOR, ACCESS TO FUEL COCKS AND ACTUATOR, OUTBOARD, PORT, AND INBOARD, STARBOARD, GROUP				1	—	C	61/118
	101E1311	Panel, access				1	L72		
4039	84E1311	VALANCE U/C DOOR, INBOARD, PORT, GROUP				1	—	M/A	61/58
4038	86E1311	VALANCE U/C DOOR, INBOARD, STARBOARD, GROUP				1	—	M/A	61/57
14046	1E921	Spares for :— DOOR, ACCESS TO FUEL COCKS AND ACTUATOR, INBOARD, PORT, AND OUTBOARD, STARBOARD, GROUP				1	—	C	61/119
		FAIRING, NACELLE, FORWARD OF ENGINE BULKHEAD, INBOARD, PORT AND STARBOARD (E2651)							
9938	1E2791	Spares for :— PANEL, FAIRING, TOP FORWARD OF ENGINE BULKHEAD, GROUP				1	—	C	61/60
11114	2E2791	BOX, TOGGLE ASSEMBLY, REAR LH., GROUP				1	—	C	
11116	4E2791	BOX, TOGGLE ASSEMBLY, FORWARD LH., GROUP				1	—	C	
11115	3E2791	BOX, TOGGLE ASSEMBLY, REAR RH., GROUP				1	—	C	
11117	5E2791	BOX, TOGGLE ASSEMBLY, FORWARD RH., GROUP				1	—	C	
	2bE2791	Spares for :— Bearing				2	S1		
	2cE2791	Pin, special				2	S80		
	PP67642	Toggle assembly (Rolls Royce) ...				1	—	C	
3973	25E2671	DOOR, UPPER "FIRE," GROUP				1	—	C	61/26
4974	17E2671	DOOR, LOWER "PANEL", GROUP				1	S11	C	61/63
4274	26E2671	Dowel				2	—	C	61/64
3942	1E2561	STRIP, MAKE-UP, FOR FAIRING PANELS AT BULKHEAD, TOP HALF PORTION				1	L72	C	61/65
3943	1E2562	STRIP, MAKE UP, FOR FAIRING PANELS AT BULKHEAD, BOTTOM HALF PORTION				1	L72	C	61/66
		Spares for :—							
5774	4E2561	Cord, asbestos				1	—	C	
5773	3E2561	Covering, neoprene				1	—	C	
5775	9E2561	Strip, reinforcing, bottom				1	S3	C	
5776	10E2561	Strip, reinforcing, bottom, RH.				1	S3	C	
5777	11E2561	Strip, reinforcing, top				1	S3	C	

POWER INSTALLATION

NACELLE FAIRINGS

Ref. No.	Part No.	Description				No. off	Matl. Spec.	Cl. of St.	Plate and Illust'n No.
		1	2	3	4			M.R.	
		FAIRING, NACELLE, OUTBOARD ENGINE, PORT AND STARBOARD (3 & 4E2737)							
		Spares for :—							
		FAIRING, NACELLE, AFT OF ENGINE BULKHEAD, OUTBOARD, PORT AND STARBOARD (57 & 58E2675) (Mod. 1000)							
		Spares for :—							
14130	1E2947	BRACKET, ATTACHMENT OF REAR FAIRING TO SUBFRAME, RH, PORT, GROUP				1	—	C	
		Consisting of :—							
	3E2947	Bracket				1	S510	C	61/67
	5E2946	Clip, half... ..				1	T35 & S510	C	61/68
14131	1E2946	BRACKET, ATTACHMENT OF REAR FAIRING TO SUBFRAME, LH, PORT, GROUP				1	—	C	
		Consisting of :—							
	3E2946	Bracket				1	S510	C	61/69
	5E2946	Clip, half... ..				1	T35 & S510	C	61/70
14133	2E2946	BRACKET, ATTACHMENT OF REAR FAIRING TO SUBFRAME, RH, STARBOARD, GROUP				1	—	C	
		Consisting of :—							
	4E2946	Bracket				1	S510	C	61/71
	5E2946	Clip, half... ..				1	T35 & S510	C	61/70
14132	2E2947	BRACKET, ATTACHMENT OF REAR FAIRING TO SUBFRAME, LH, STARBOARD, GROUP				1	—	C	
		Consisting of :—							
	4E2947	Bracket				1	S510	C	61/72
	5E2946	Clip, half... ..				1	T35 & S510	C	61/70
5786	1E2696	BRACKET, ATTACHMENT OF REAR FAIRING TO SUBFRAME, LH, PORT, GROUP				1	—	C	
		Consisting of :—							
5789	5E2696	Bracket				1	S3 & T35	C	61/73
5785	4E2695	Clip, half... ..				1	S3 & T35	C	61/68
5787	2E2696	BRACKET, ATTACHMENT OF REAR FAIRING TO SUBFRAME, RH, STARBOARD, GROUP				1	—	C	
		Consisting of :—							
5788	4E2696	Bracket				1	S3 & T35	C	61/74
5785	4E2695	Clip, half... ..				1	S3 & T35	C	61/68
5790	7E2696	BRACKET, ATTACHMENT OF REAR FAIRING TO SUBFRAME, LH, PORT, GROUP				1	—	C	
		Consisting of :—							
5792	9E2696	Bracket				1	S3	C	61/75
5785	4E2695	Clip, half... ..				1	S3	C	61/68

SHACKLETON Mk. 2

POWER INSTALLATIONS

NACELLE FAIRINGS

Ref. No.	Part No.	Description				No. off	Matl. Spec.	Cl. of St.	Plate and Illust'n No.
		1	2	3	4			M.R.	
		FAIRING, REAR NACELLE, PORT AND STARBOARD, GROUP (1 & 2E3279) (Cont'd)							
		FILLETS, FAIRING, REAR NACELLE (1 & 2E3266)							
		Spares for :—							
28FP/206	AJ6 $\frac{1}{2}$ -50					34	—	C	
	3E3266					1	L72	C	
	4E3266					1	L72	C	
	5E3266					1	L72	C	
	6E3266					1	L72	C	
28FP/316	GA6 $\frac{1}{2}$ -375					34	—	C	
	7E3266					1	Telamite	C	
	8E3266					1	Telamite	C	
	9E3266					1	Telamite	C	
	10E3266					1	Telamite	C	
	45E2976					1	—	C	
		Seal, rubber, $\frac{1}{4}$ " x $\frac{3}{4}$ " x 27" long, at trailing edge fairing, port and starboard (G. O. H. Baines Ltd.)							
2799	31E2672					1	—	M/A	
2800	32E2672					1	—	M/A	
		Spares for :—							
3278	7SS3541					16	—	C	
2737	11SS3613					13	—	C	
2797	1E2683					1	—	M/A	
2798	1E2708					1	—	M/A	
		Spares for :—							
3969	21E2683					1	—	C	
		DOOR, ACCESS TO OIL TANK FILLER, GROUP							
		Spares for :—							
28FP/204	AJ6 $\frac{1}{2}$ -40					5	—	C	
28FP/316	GA6 $\frac{1}{2}$ -375					5	—	C	
3970	1E2684					1	—	C	
		DOOR, ACCESS TO FUEL FILTER, PORT, GROUP							
		Spares for :—							
2737	5E2451					1	—	C	
	11SS3613					6	—	C	
		Chain, chandelier							
		Fastener, c/w blade							
28FP/204	AJ6 $\frac{1}{2}$ -40					4	—	C	
2738	6SS3541					9	—	C	
5017	2SS4137					4	—	C	
28FP/316	GA6 $\frac{1}{2}$ -375					4	—	C	
		Fastener							
		Fastener, c/w blade							
		Fastener, c/w blade							
		Grommet							

POWER INSTALLATIONS
NACELLE FAIRINGS

Ref. No.	Part No.	Description				No. off	Matl. Spec.	Cl. of St.	Plate and Illust'n No.
		1	2	3	4			M.R.	
2416	1E2709	PANEL, FAIRING, REAR SIDE, INNER, PORT, GROUP				1	—	A	
2417	1E2697	PANEL, FAIRING, REAR SIDE, INNER, STARBOARD, GROUP				1	—	A	
3970	1E2684	Spares for :— DOOR, ACCESS TO FUEL FILTER, STARBOARD, GROUP				1	—	C	
2737	5E2451	Spares for :— Chain, chandelier				1	—	C	
	11SS3613	Fastener, c/w blade				6	—	C	
3971	19E2697	DOOR, ACCESS TO OIL TANK FILTER, STARBOARD, GROUP							
28FP/204	AJ6 $\frac{1}{2}$ -40	Spares for :— Fastener				2	—	C	
	28FP/316	GA6 $\frac{1}{2}$ -375	Grommet			2	—	C	
28FP/204	AJ6 $\frac{1}{2}$ -40	Fastener... ..				4	—	C	
2738	6SS3541	Fastener, c/w blade				8	—	C	
5017	2SS4137	Fastener, c/w blade				5P	—	C	
28FP/316	GA6 $\frac{1}{2}$ -375	Grommet				3S 4	—	C	
1626	1E2692	PANEL, FAIRING, REAR BOTTOM PORT, GROUP				1	—	M/A	
2418	2E2692	PANEL, FAIRING, REAR BOTTOM STARBOARD, GROUP				1	—	M/A	
3972	3E2766	Spares for :— DOOR, ACCESS TO OIL TANK FILTER (1E2766)							
		Spares for :— DOOR, ACCESS, GROUP ...				1	—	C	
28FP/204	AJ6 $\frac{1}{2}$ -40	Spares for :— Fastener				4	—	C	
	28FP/316	GA6 $\frac{1}{2}$ -375	Grommet			4	—	C	
2738	6SS3541	Fastener, c/w blade				6	—	C	
5017	2SS4137	Fastener, c/w blade				8P	—	C	
6873	20E1213	Louvre				12S 2	L72	C	
13528	1E1233	PANEL, FAIRING, TOP, REMOVABLE, PORT, GROUP				1	—	M/A	
13529	2E1233	PANEL, FAIRING, TOP, REMOVABLE, STARBOARD, GROUP				1	—	M/A	
28FP/207	AJ6 $\frac{1}{2}$ -60 No. 500	Spares for :— Fastener (10SS3543)				28	—	C	
		Grommet (1SS3543)				28	—	C	

SHACKLETON Mk. 2

POWER INSTALLATIONS

NACELLE FAIRINGS

Ref. No.	Part No.	Description				No. off	Matl. Spec.	Cl. of St.	Plate and Illust'n No.
		1	2	3	4			M.R.	
		FAIRING, NACELLE, OUTBOARD ENGINE, PORT AND STARBOARD (3 & 4E2737) (Cont'd)							
2804	1E2716	MOUNTING, FOR AIR INLET DUCT, AT BOTTOM FAIRING PANEL, PORT, GROUP				1	—	A	
		MOUNTING, FOR AIRSCOOP, AT BOTTOM FAIRING PANEL, STARBOARD (1E2829)							
6808	2E2829	Spares for :— PLATE, DISHED, GROUP				1	—	C	
14242	1E2713	SCOOP, AIR, GROUP				1	—	C	
2845	13E2651	Piece, distance, control joint				2	S82	C	
		PIPE, DRAIN, FEED AND OIL, PORT AND STARBOARD (1P2510)							
		Spares for :—							
	3P2510	Pipe, drain, $\frac{3}{8}$" dia. x 22G				1	DTD323	C	
2847	15E2651	Shroud, control joint... .. (See Control Power Unit)				2	—	C	
		NACELLE, FAIRINGS FORWARD OF ENGINE BULKHEAD, OUTBOARD, PORT AND STARBOARD (E2737)							
		Spares for :—							
9940	2E2792	PANEL, FAIRING TOP, FORWARD OF ENGINE BULKHEAD, PORT, GROUP				1	—	MR/A	
9939	1E2792	PANEL, FAIRING TOP, FORWARD OF ENGINE BULKHEAD, STARBOARD, GROUP				1	—	MR/A	
		Spares for :—							
11120	3E2792	BOX, TOGGLE ASSEMBLY, REAR LH, STARBOARD				1	—	MR/B	
11121	4E2792	BOX, TOGGLE ASSEMBLY, REAR RH, PORT				1	—	MR/B	
11115	3E2791	BOX, TOGGLE ASSEMBLY, REAR RH, STARBOARD				1	—	MR/B	
11114	2E2791	BOX, TOGGLE ASSEMBLY, REAR LH, PORT				1	—	MR/B	
11116	4E2791	BOX, TOGGLE ASSY., FORWARD LH, PORT AND STARBOARD				1	—	MR/B	
11117	5E2791	BOX, TOGGLE ASSY., FORWARD RH, PORT AND STARBOARD				1	—	MR/B	
		Spares for :—							
	PP6742	Toggle, assembly (Rolls Royce) ...				1	—	C	
3973	25E2671	DOOR, UPPER, "FIRE", GROUP				1	—	C	
3974	17E2671	DOOR, LOWER, "PANEL", GROUP				1	—	C	
		Dowel				2	S11	C	
28FP/342	26E2671 S6-250	Spring (Dzus)				11	—	C	
2801	1E2727	STRIP, MAKE UP, FOR FAIRING PANELS AT BULKHEAD TOP HALF, PORT, GROU				1	—	M/A	

POWER INSTALLATION

NACELLE FAIRINGS

Ref. No.	Part No.	Description				No. off	Matl. Spec.	Cl. of St.	Plate and Illust'n No.
		1	2	3	4			M.R.	
		NACELLE, FAIRINGS FORWARD OF ENGINE BULKHEAD, OUTBOARD, PORT AND STARBOARD (E2737) (Cont'd)							
2802	2E2727	STRIP, MAKE UP, FOR FAIRING PANELS AT BULKHEAD TOP HALF, STARBOARD, GROUP				1	—	M/A	
2803	1E2726	Strip, make up, for fairing panel bottom half, port and starboard				1	L72	M/A	

PAGE 701 TO 706 NOT ISSUED

PAGE NOT TO BE REISSUED

SHACKLETON Mk 2

POWER INSTALLATION

NACELLE FAIRINGS

Ref. No.	Part No.	Description				No. off	Matl. Spec.	Cl. of St.	Plate and Illust'n No.	
		1	2	3	4			M.R.		
COMPLEMENTARY ITEMS										
ATTACHMENT FITTINGS INBOARD REAR NACELLE FAIRING TO INBOARD TRAILING, EDGE										
Consisting of :—										
28D/—	AS1885/2C	Bolt, mush.hd. x .2" plain x .5" long ...				18	—	C	1/85	
28D/9570	AS1885/9C	Bolt, mush.hd. x .9" plain x 1.3" long ...				4	—	C		
28D/9428	AS1248/9C	Bolt, mush.hd. 2 BA x .9" plain x 1.3" long				4	—	C		
28D/8347	AS1248/10C	Bolt, mush.hd. 2 BA x 1" plain x 1.4" long				18	—	C		
28M/10288	AGS2001/C/1	Nut, stiff, 2 BA				45	—	C		
26EA/11008	JY.SS157	Washer, taper				4	—	C		
		Washer, taper				4	—	C		
		Washer				18	—	C		
28W/3071	AGS160/C	Bolt, csk.hd. 1/4"BSF, attachment of u/c valance to engine rib				10	—	C		1/76
13012	DSS3149	Bolt, mush.hd. 2 BA, attachment of brackets to u/c valance				18	—	C		1/77
13896	2SS2590	Bolt, hex.hd. 2 BA, attachment of outboard rear nacelle fairings				8	—	C		1/78
28D/12516	A25/11C	Bolt, csk.hd. 2 BA x .5" long, attachment of make up strips				28	—	C		1/79
28D/8306	AS1242/1/C	Bolt, mush.hd. 2 BA x .5" long, attachment of make up strips				28	—	C		1/80
28D/8341	AS1248/1/C	Nut, floating strip, 1" pitch x 2 nuts for u/c valance brackets				10	—	C		1/81
28M/10673	AGS2016/C/11/1	Nut, stiff, 2BA, outboard rear nacelle fairing				40	—	C		1/82
29M/10288	AGS2001/C/1	Screw, csk.hd. 2 BA x 5/8" long, u/c door hinge attachment				49	—	C		1/83
28S/2820	AGS249/14	Washer, 2 BA, for bolts, outboard nacelle fairing				8	—	C		1/84
28W/8516	AS470/C	Washer, 2 BA				32	—	C		
28W/12245	SP/10C									
SUMMARY OF STOCK ITEMS USED ON NACELLE FAIRINGS										
28D/12531	A25/3C	Bolt, hex.hd. 2 BA x .75" long				34	—	C		
28D/8341	AS1248/1C	Bolt, hex.hd. 2 BA x .5" long... ..				36	—	C		
28D/8342	AS1248/2C	Bolt, hex.hd. 2 BA x .6" long... ..				240	—	C		
28M/10288	AGS2001/C/1	Nut, stiff, 2 BA				32	—	C		
28M/10673	AGS2016/C/11/1	Nut, stiff, floating anchor, 2 BA x 1" pitch ...				20	—	C		
28S/2862	AGS245/13	Screw, rd.hd. 2 BA x 1/2" long				20	—	C		
28S/2066	AGS246/2	Screw, cheese hd. 2 BA x 3/8" long				194	—	C		

POWER INSTALLATION
SUBFRAMES, ENGINE

Ref. No.	Part No.	Description				No. off	Matl. Spec.	Cl. of St.	Plate and Illust'n No.
		1	2	3	4			M.R.	
ENGINE SUBFRAME ASSEMBLIES									
Consisting of:—									
MOUNTING, ENGINE SUBFRAME AND UNDERCARRIAGE SUPPORT BEAMS, INBOARD, PORT AND STARBOARD (1&2.O.3150)									
Spares for:—									
2638	13.O.3056	BEAM, U/C SUPPORT, OUTBOARD, PORT, GROUP				1	—	C	57/74
2639	14.O.3056	BEAM, U/C SUPPORT, INBOARD, STARBOARD, GROUP				1	—	C	57/75
2640	15.O.3056	BEAM, U/C SUPPORT, OUTBOARD, STARBOARD, GROUP				1	—	C	57/76
2641	16.O.3056	BEAM, U/C SUPPORT, INBOARD, PORT, GROUP				1	—	C	57/77
Spares for:—									
3467	7.O.2510	Bush	1	S1	C	57/78
3468	8.O.2510	Bush	1	S1	C	57/79
3469	9.O.2510	Bush	2	S1	C	57/80
3361	9.O.3056	Bush	1	S1	C	57/81
3362	10.O.3056	Bush	2	S1	C	57/82
2642	13.O.3150	Bolt, hex.hd. $\frac{3}{4}$" BSF attachment of diagonal bracing strut to u/c beam				2	S11 or S12	C	57/83
13657	10.O.2277	Bolt, hex.hd. $\frac{3}{4}$" BSF attachment of subframe to u/c beam bottom				2	S11 or S12	C	57/84
13473	45.O.2874	Bolt, hex.hd. $\frac{5}{8}$" BSF attachment of rear tube to u/c beam bottom				2	S2	C	57/85
850	2.O.3152	Bolt, hex.hd. $\frac{3}{4}$" BSF attachment of subframe to u/c beam top				2	S11 or S12	C	57/86
BOLT, ENGINE PICK UP (O.2877) ...									
Consisting of:—									
13475	5.O.2877	Bolt, hex.hd. $\frac{3}{4}$" BSF				1	—	C	57/87
13474	2.O.2877	Bush, split				1	S2	C	57/88
28M/6463	A16Z/JS	Nut, slotted, $\frac{3}{8}$" BSF				1	—	C	57/89
28P/5032	AGS784/3	Pin, split, $\frac{1}{16}$" x 1" long				1	—	C	57/90
13476	3.O.2877	Plug, taper				1	S2	C	57/91
13477	4.O.2877	Washer, cap				1	S2	C	57/92
28W/6455	AGS964F	Washer				1	—	C	
13695	58a.O.2312	Shim, $2\frac{2}{3}$" o/d x $1\frac{9}{32}$" x .003" thick, u/c leg attachment point				2	S3	C	

POWER INSTALLATION
SUBFRAMES, ENGINE

Ref. No.	Part No.	Description				No. off	Matl. Spec.	Cl. of St.	Plate and Illust'n No.
		1	2	3	4			M.R.	
		MOUNTING, ENGINE SUBFRAME AND UNDERCARRIAGE SUPPORT BEAMS, INBOARD, PORT AND STARBOARD (1&2.O.3150) (Cont'd)							
13279	58b.O.2312	Shim, 2 ³ / ₃₂ " o/d x 1 ⁹ / ₃₂ " x .005" thick u/c leg attachment point				2	S3	C	57/114
13280	58c.O.2312	Shim, 2 ³ / ₃₂ " o/d x 1 ⁹ / ₃₂ " x .010" thick u/c leg attachment point				2	S3	C	57/115
13281	58d.O.2312	Shim, 2 ³ / ₃₂ " o/d x 1 ⁹ / ₃₂ " x .015" thick u/c leg attachment point				2	S3	C	57/116
3357	50a.O.2874	Shim, ³ / ₃₂ " i/d x 1 ¹ / ₂ " o/d x .003" thick subframe attachment bottom				2	S3	C	57/117
3358	50b.O.2874	Shim, ³ / ₃₂ " i/d x 1 ¹ / ₂ " o/d x .005" thick subframe attachment bottom				2	S3	C	57/118
3359	50c.O.2874	Shim, ³ / ₃₂ " i/d x 1 ¹ / ₂ " o/d x .010" thick subframe attachment bottom				2	S3	C	57/119
3360	50d.O.2874	Shim, ³ / ₃₂ " i/d x 1 ¹ / ₂ " o/d x .015" thick subframe attachment, bottom				2	S3	C	57/120
	1.O.3352	STRUT, DIAGONAL, CROSS BETWEEN U/C BEAMS, GROUP				1	—		57/93
88	3.O.3150	SUBFRAME, ENGINE, GROUP ...				2	—	A	57/94
13079	4.O.2155	Washer, for bolt, diagonal bracing strut ...				2	S3	C	57/95
13199	20.O.2277	Washer, for bolt at u/c attachment ...				4	S3	C	57/96
		SUBFRAME, OUTBOARD ENGINE, PORT AND STARBOARD (1/2.O.4261)							
		Spares for :—							
		BOLT, ENGINE PICK UP (1.O.2877)							
		Consisting of :—							
13475	5.O.2877	Bolt, hex.hd, ³ / ₈ " BSF				1	—	C	57/87
13474	2.O.2877	Bush, split, 1 ³ / ₈ " dia. x 2 ³ / ₄ "				1	S2	C	57/88
26M/6463	A16Z/JS	Nut, slotted, ³ / ₈ " BSF				1	—	C	57/89
28P/5032	AGS784/3	Pin, split, ¹ / ₈ " dia. x 1" long				1	—	C	57/90
13476	3.O.2877	Plug, taper, 1" dia. x 2 ⁷ / ₈ "				1	S2	C	57/91
13477	4.O.2877	Washer, cap, 1 ¹ / ₂ " dia. x ³ / ₄ "				1	S2	C	57/92
28W/6455	AGS2916	Washer				1	—	C	

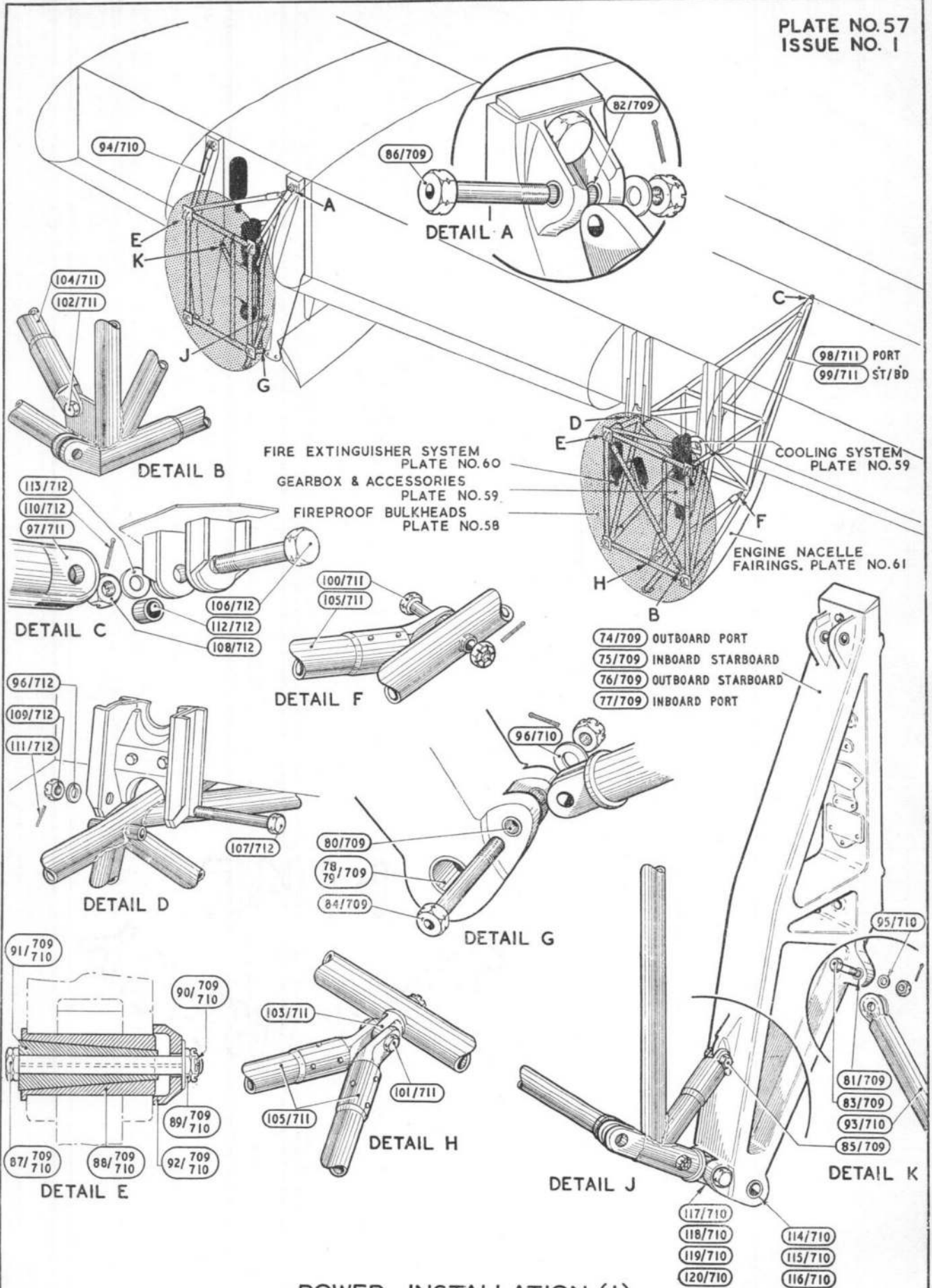
SHACKLETON Mk. 2

**POWER INSTALLATION
SUBFRAME, ENGINES**

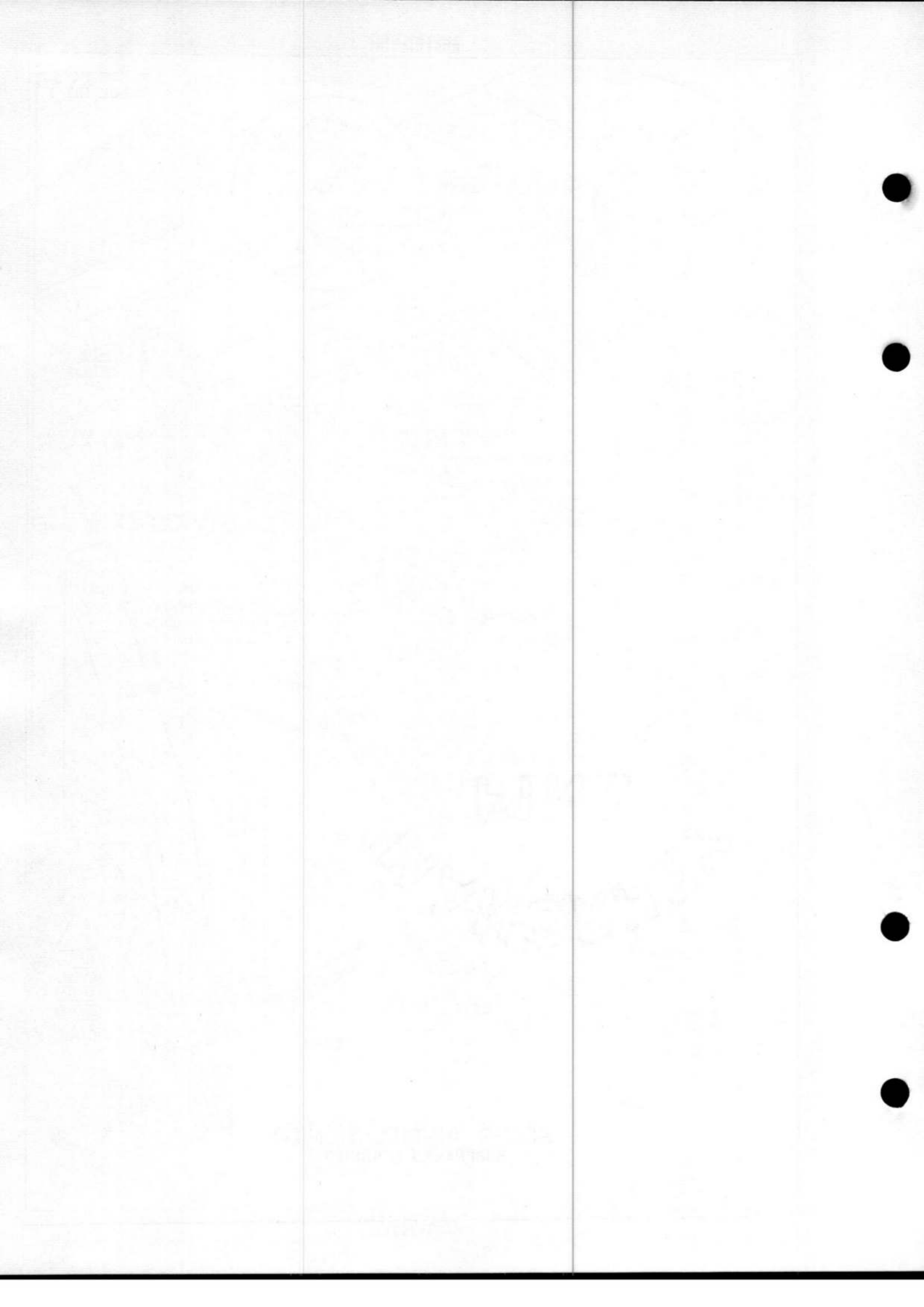
Ref. No.	Part No.	Description				No. off	Matl. Spec.	Cl. of St.	Plate and Illust'n No.
		1	2	3	4			M.R.	
13217	60.O.2336	Bolt , special, $\frac{3}{4}$ " dia. x $\frac{5}{8}$ " screw				1	S2	C	57/106
26EA/32606	91.O.2873	Bolt , special, $\frac{3}{4}$ " BSF				2	S2	C	57/107
26EA/32360	96.O.2561	Shim				QR	S3	C	
13818	71.O.2916	Socket , subframe, rear attachment				1	S1	C	57/97
89	67.O.4261	SUBFRAME, WELDED STRUCTURE, PORT, GROUP				1	—	A	57/98
90	68.O.4261	SUBFRAME, WELDED STRUCTURE, STARBOARD, GROUP				1	—	A	57/99
		Spares for :—							
2319	49.O.2561	Bolt , hex.hd, $\frac{1}{2}$ " BSF bottom bracing strut, rear attachment				2	S2	C	57/100
13853	46.O.2531	Bolt , hex.hd, $\frac{5}{8}$ " BSF bottom bracing strut, front attachment				1	S2	C	57/101
2320	55.O.2531	Bolt , hex.hd, front diag. strut attachment				2	S2	C	57/102
2321	47.O.2531	Eyebolt , bottom bracing strut				1	S2	C	57/103
26EA/32609	1.O.2831	STRUT, DIAGONAL, BRACING, GROUP				1	—	C	57/104
26EA/32610	1.O.2875	STRUT, BOTTOM, BRACING, GROUP				2	—	C	57/105
	72.O.2916	Tube , distance, $\cdot 176$ " x $\frac{7}{8}$ " o/d				1	DTD563	C	
13287	61.O.2456	Washer				1	S3	C	57/113
13199	20.O.2277	Washer				2	S3	C	57/96

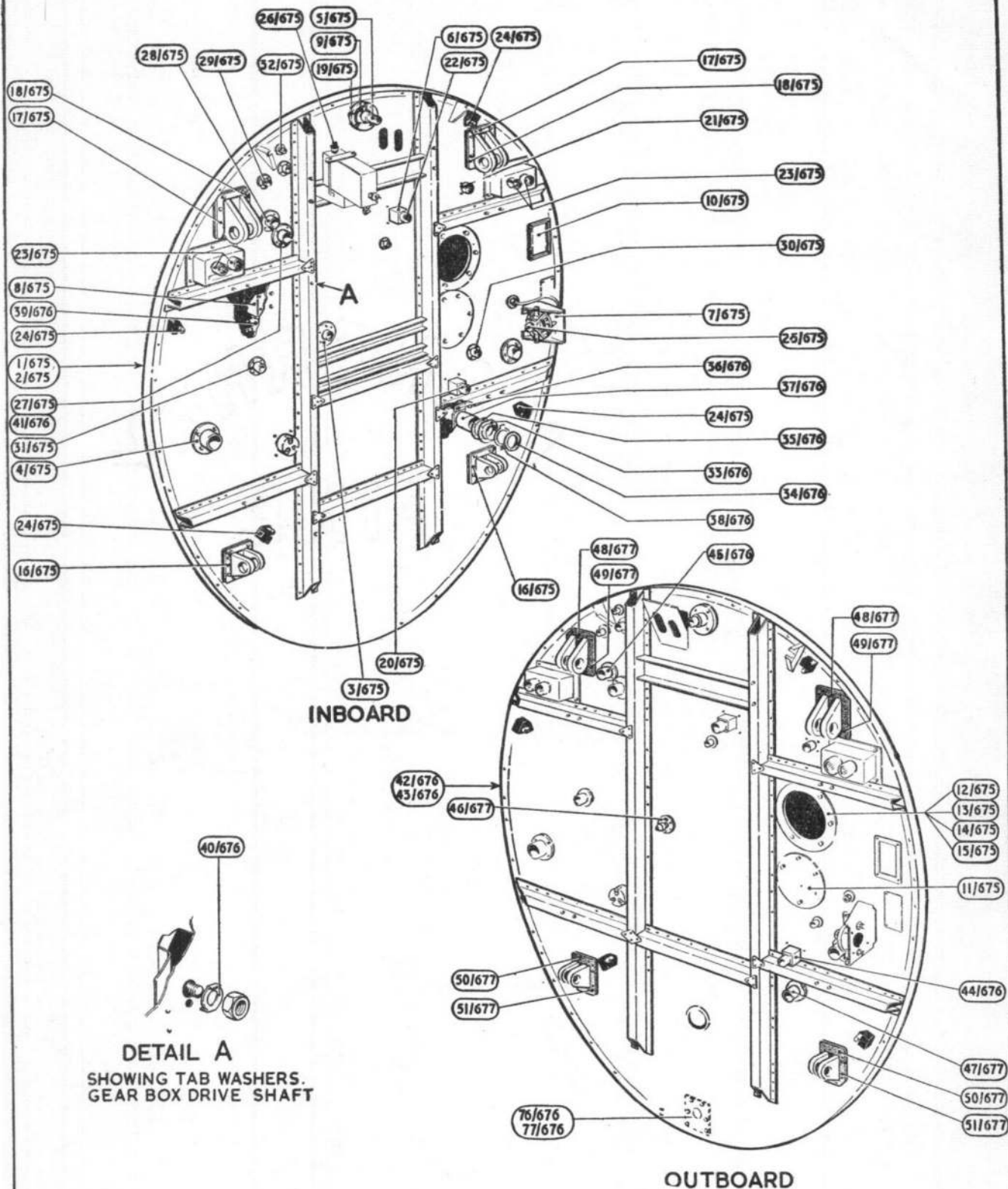
**POWER INSTALLATION
SUBFRAMES, ENGINES**

Ref. No.	Part No.	Description				No. off	Matl. Spec.	Cl. of St.	Plate and Illust'n No.
		1	2	3	4			M.R.	
COMPLEMENTARY ITEMS									
ATTACHMENT FITTINGS FOR OUT-BOARD ENGINE SUBFRAME									
								1/86	
13217	60.O.2336	Bolt , hex.hd, $\frac{3}{4}$ " dia. x $\frac{5}{8}$ " screw, subframe rear attachment				1	S2	C	57/106
26EA/32606	91.O.2873	Bolt , hex.hd. $\frac{3}{4}$ " BSF subframe, front attachment				2	S2	C	57/107
28M/5381	A16Y/QS	Nut , slotted, $\frac{5}{8}$ " subframe, rear attachment				1	—	C	57/108
28M/7161	A16Y/SS	Nut , slotted, $\frac{3}{4}$ " BSF subframe, front attachment				2	—	C	57/109
28P/5045	AGS784/21	Pin , split, $\frac{1}{8}$ " dia. x $1\frac{1}{2}$ " long		1	—	C	57/110
28P/5052	AGS784/30	Pin , split, $\frac{5}{32}$ " dia. x 2" long		2	—	C	57/111
26EA/31128	72.O.2916	Tube , distance, subframe, rear attachment				1	DTD563	C	57/112
13199	20.O.2277	Washer , subframe, front attachment	...			2	S3	C	57/96
13287	61.O.2456	Washer , subframe, rear attachment	...			1	S3	C	57/113

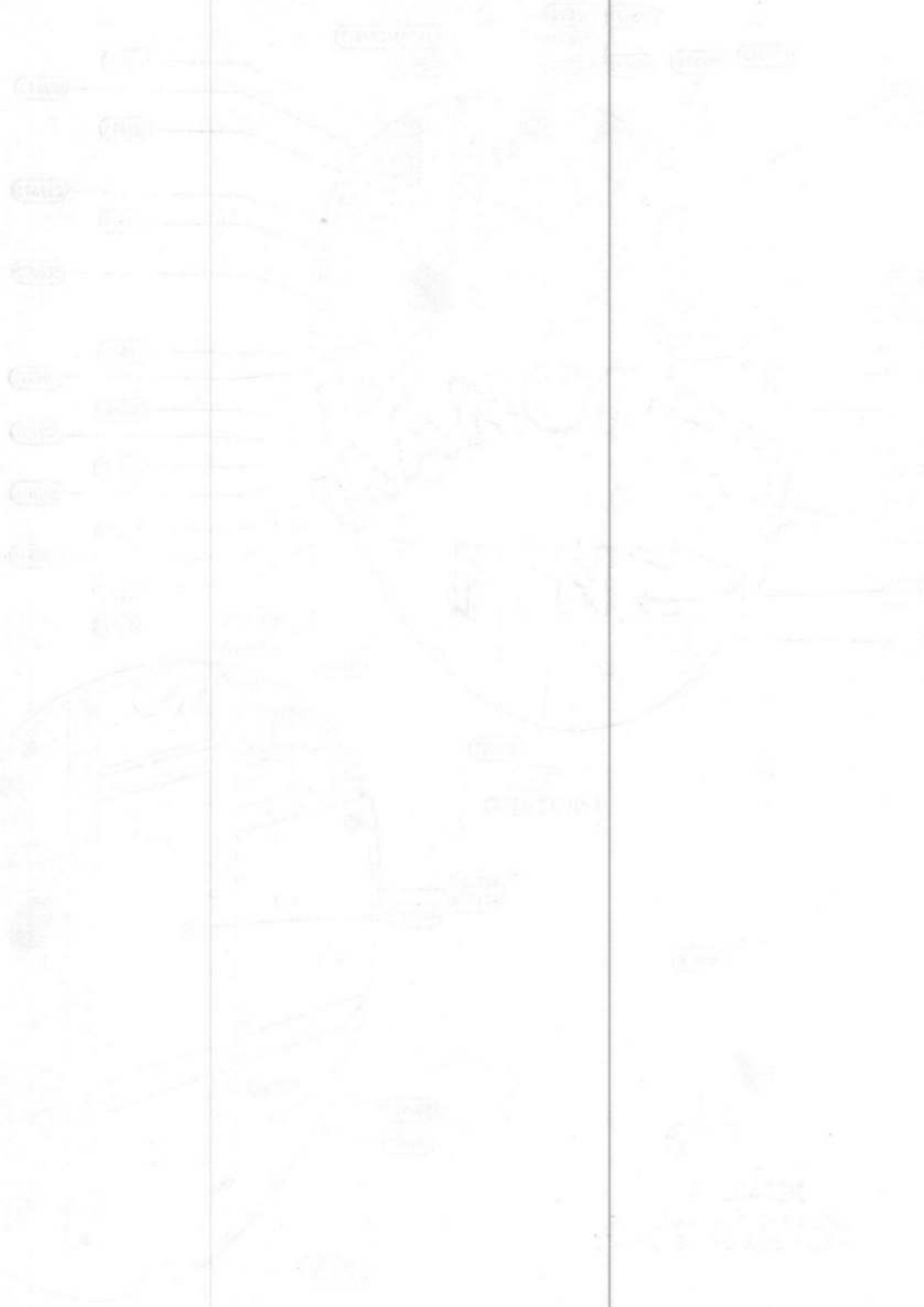


POWER INSTALLATION (I)
SUBFRAMES (ENGINE)

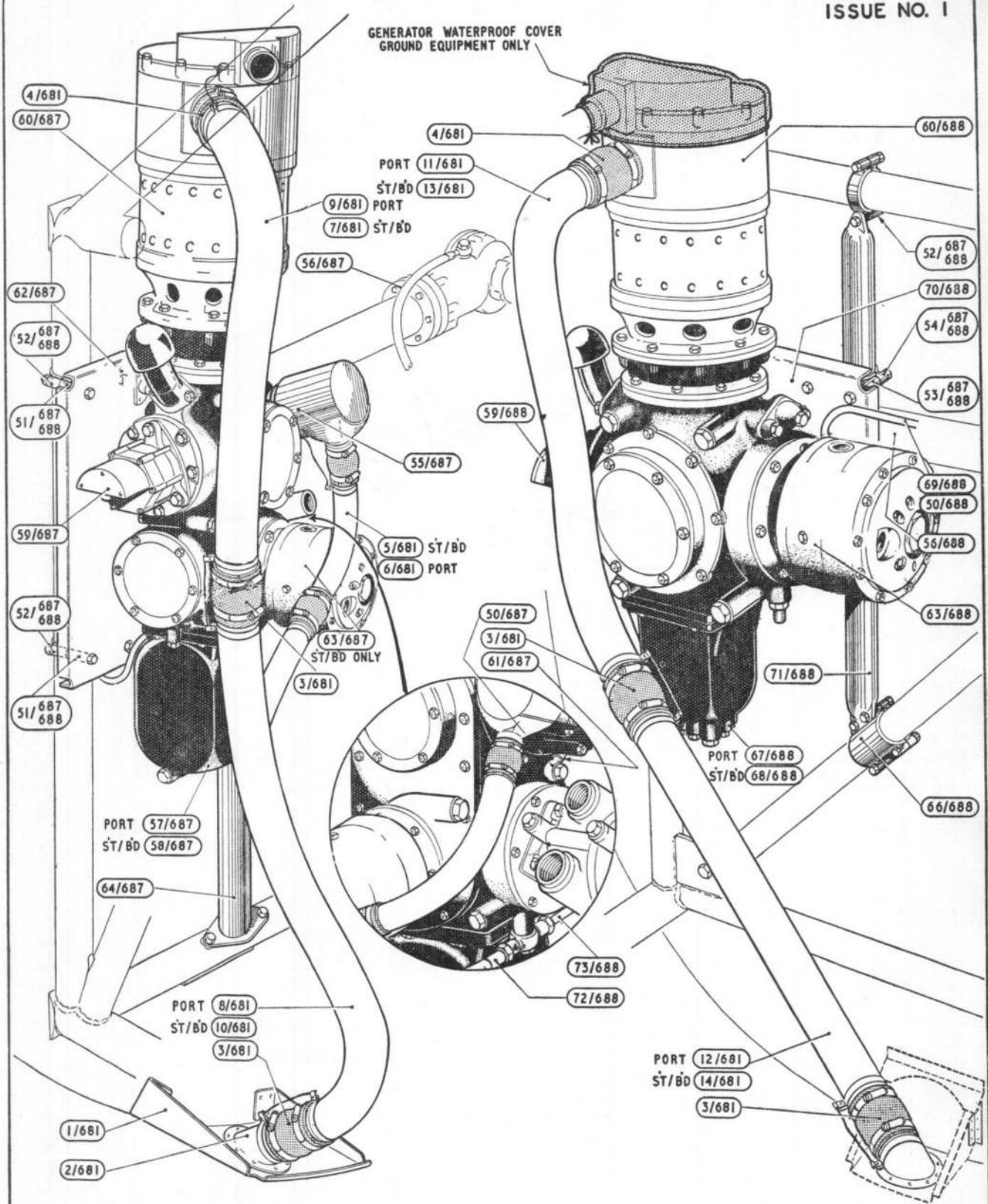




POWER INSTALLATION (2)
FIREPROOF BULKHEADS



POWER TURBINE
ASSEMBLY



POWER INSTALLATION (3)
GEARBOX, ACCESSORIES & COOLING SYSTEM

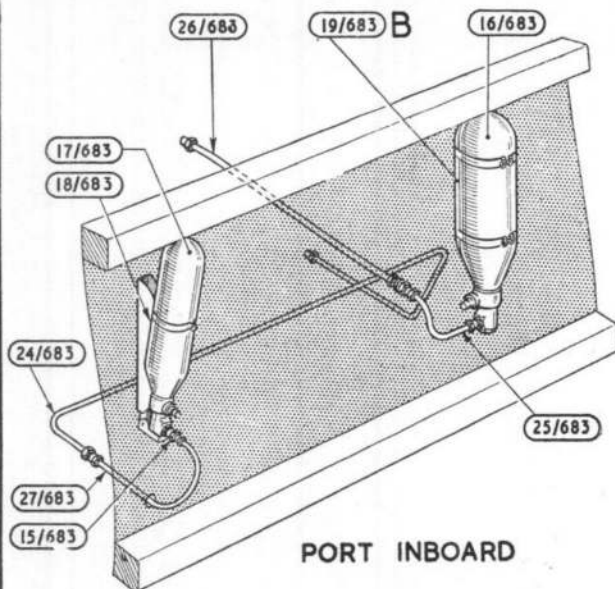
NO. 100-100000
OF SUBJECT

[Faint, illegible text in the left column, possibly bleed-through from the reverse side of the page.]

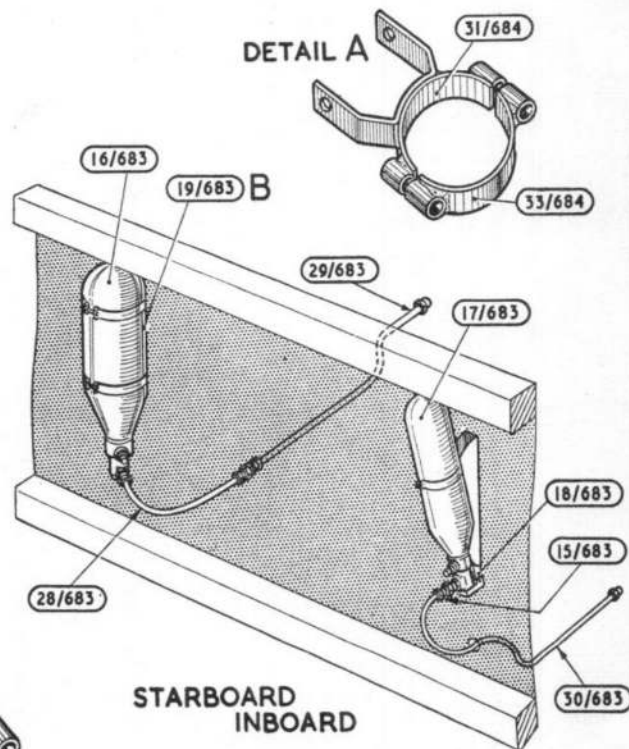
[Faint, illegible text in the middle column, possibly bleed-through from the reverse side of the page.]

[Faint, illegible text in the right column, possibly bleed-through from the reverse side of the page.]

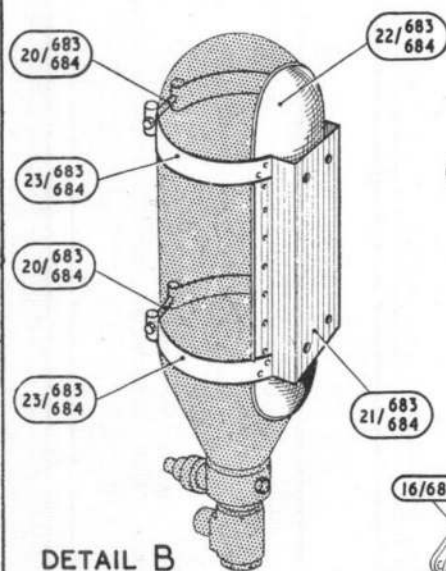




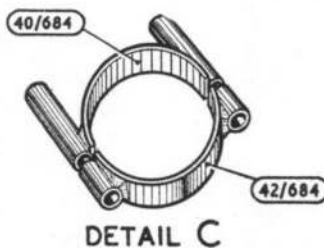
PORT INBOARD



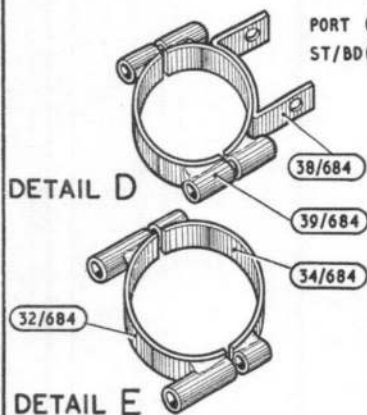
STARBOARD INBOARD



DETAIL B

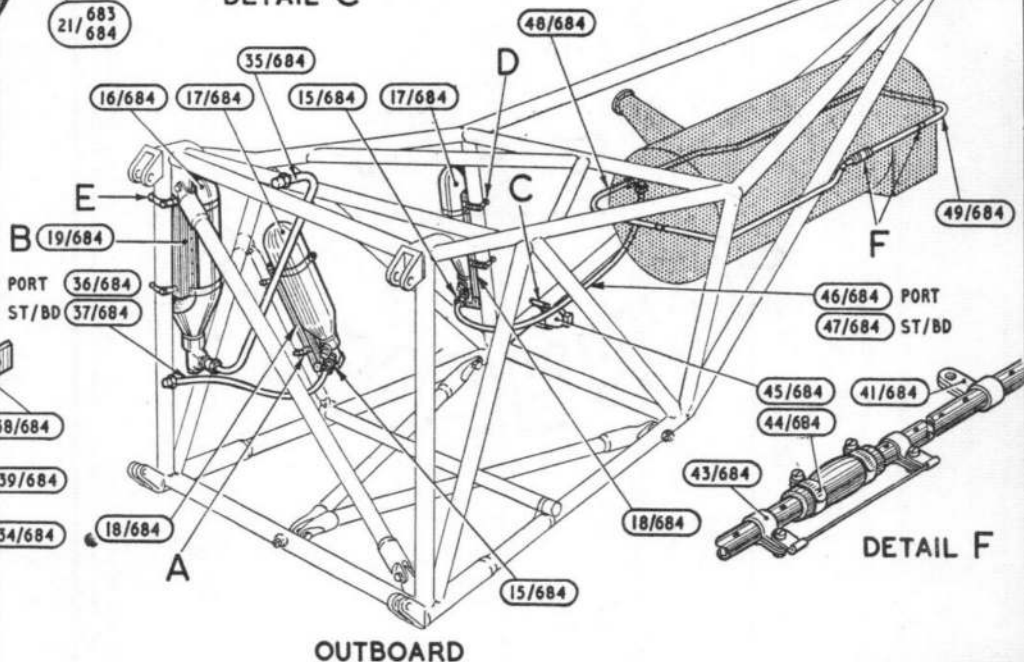


DETAIL C



DETAIL D

DETAIL E



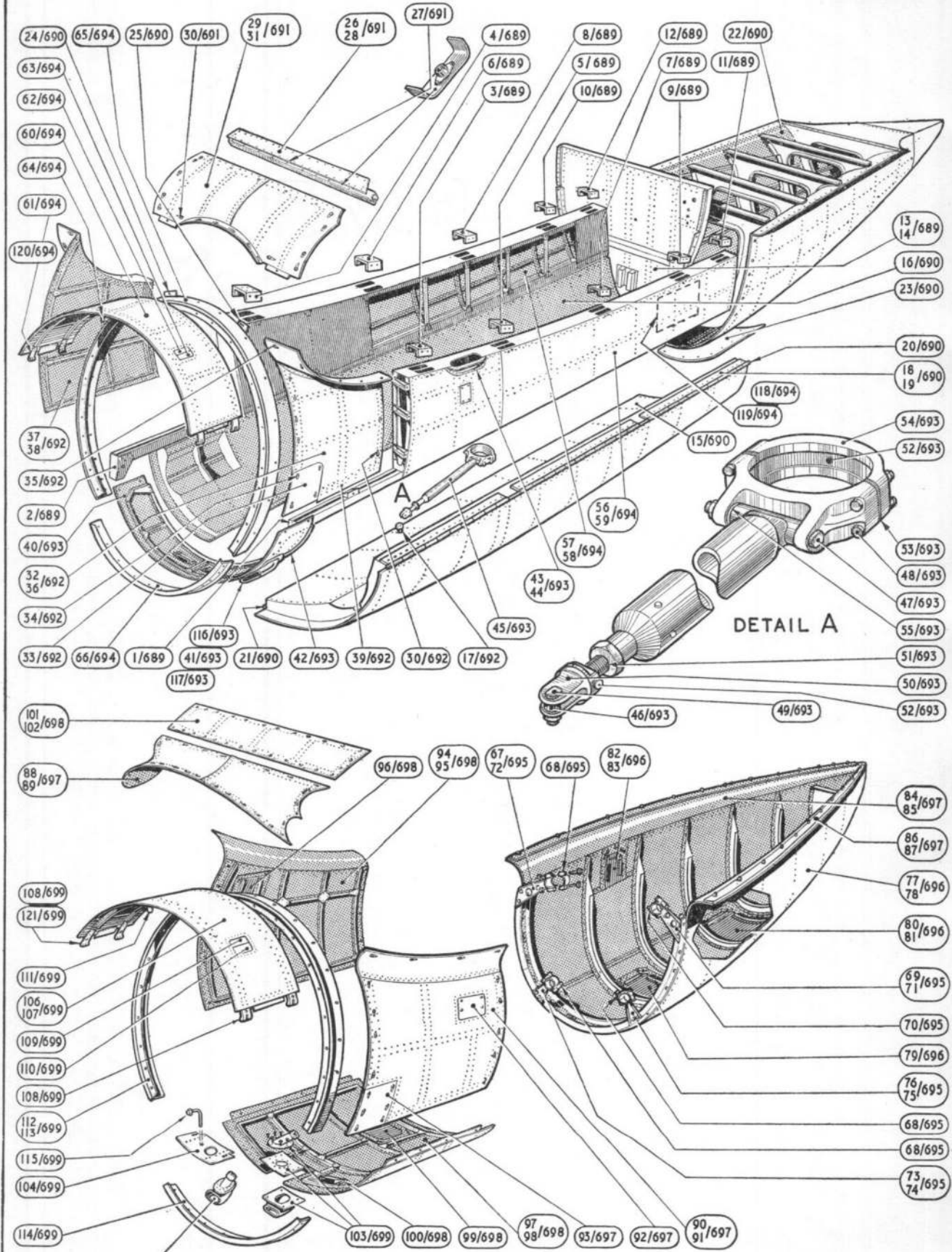
OUTBOARD

POWER INSTALLATION (4)
FIRE EXTINGUISHER SYSTEM

PLANT NO. 1
11-10-54



POWER PLANT SYSTEM
11-10-54



POWER INSTALLATION (5)
NACELLE FAIRINGS

This file was downloaded
from the RTFM Library:

Link: www.scottbouch.com/rtfm

Please see site for usage terms,
and more aircraft documents.

