

RADIO AND RADAR INSTALLATION

Ref. No.	Part No.	Description				No. off	Matl. Spec.	Cl. of St.	Plate and Illust'n No.
		1	2	3	4			M.R.	
A.S.V. MK. 21 INSTALLATION (T4282)									
Spares for :—									
6W/13	—	Box, junction, in scanner housing				1	—	A	63/126
10D/19963	—	Box, junction, type 4832				1	—	A	
	1T4494	BOX, JUNCTION, IN REAR CENTRE PORTION, GROUP				1	—		
Spares for :—									
	3T4494	BOX, GROUP				1	—		
	4T4494	Lid, for box... ..				1	L16		
	2T4494	LOOM, CABLE, GROUP				1	—		
10H/0970055	—	Cap, protective, fitted on waveform generator (44)				1	—	C	
10HB/1512	—	Connector, distribution box to control unit				1	—	B	
10HB/7542	40T4282	Connector, indicator to waveform generator (26) (Pre-Mod. 1071)				1	—	B	
10HB/12014	56T4282	Connector, indicator to waveform generator (26) (Mod. 1071)				1	—	B	
10HB/1516	—	Connector, power panel to plug break (Prior to Mod. 1071)				1	—	B	
10HB/1506	—	Connector, control unit to plug break Prior to Mod. 1071)				1	—	B	
10HB/1504	—	Connector, control unit to plug break ...				1	—	B	
10HB/1489	—	Connector, power panel to plug break (Pre-Mod. 1071)				1	—	B	
10HB/12017	59T4282	Connector, power panel to plug break (Mod. 1071)				1	—	B	
10HB/7157	37T4282	Connector, control unit to power unit (Pre-Mod. 1071)				1	—	B	
10HB/12006	48T4282	Connector, control unit to power unit (Mod. 1071)				1	—	B	
10HB/1513	—	Connector, power panel to waveform generator (Pre-Mod. 1071)				1	—	B	
	46T4282	Connector, power panel to waveform generator (Mod. 1071)				1	—	B	
10HB/1502	—	Connector, indicator to waveform generator (Pre-Mod. 1071)				1	—	B	
	54T4282	Connector, indicator to waveform generator (Mod. 1071)				1	—	B	
10HB/7543	41T4282	Connector, indicator to plug break at scanner				1	—	B	
10HB/1521	—	Connector, JB. 4832 to JB. (T4494) ...				1	—	B	
10HB/1517	—	Connector, JB. (T4494) to waveform generator				1	—	B	
10HB/1498	—	Connector, power unit to waveform generator (Pre-Mod. 1071)				1	—	B	
10HB/12010	52T4282	Connector, power unit to waveform generator (Mod. 1071)				1	—	B	
10HB/1495	—	Connector, power unit to plug break (Pre-Mod. 1071)				1	—	B	
	49T4282	Connector, power unit to plug break (Mod. 1071)				1	—	B	

RADIO AND RADAR INSTALLATION

Ref. No.	Part No.	Description				No. off	Matl. Spec.	Cl. of St.	Plate and Illust'n No.
		1	2	3	4			M.R.	
A.S.V. MK. 21 INSTALLATION (T4282) (Cont'd)									
10HB/1491	—					1	—	B	
	55T4282					1	—	B	
10HB/7545	43T4282					1	—	B	
10HB/1510	—					1	—	B	
10HB/12810	61T4282					1	—	B	
10HB/1493	—					1	—	B	
	47T4282					1	—	B	
10HB/1507	—					1	—	B	
10HB/7540	38T4282					1	—	B	
10HB/7544	42T4282					1	—	B	
10HB/1692	—					1	—	B	
10HB/1499	—					1	—	B	
10HB/1518	—					1	—	B	
10HB/1501	—					1	—	B	
10HB/1508	—					1	—	B	
10HB/1492	—					1	—	B	
	64T4282					1	—	B	
10HB/1505	—					1	—	B	
10HB/1522	—					1	—	B	
10HB/1490	—					1	—	B	
	53T4282					1	—	B	
10HA/12728	—					1	—	B	
10HB/1497	—					1	—	B	
10HB/1496	—					1	—	B	
10HB/12015	57T4282					1	—	B	
10HB/1514	—					1	—	B	
10HB/12018	60T4282					1	—	B	
10HB/1515	—					1	—	B	
10HB/12008	50T4282					1	—	B	
10HB/1511	—					1	—	B	
10HB/12705	62T4282					1	—	B	
10HB/1494	—					1	—	B	
	63T4282					1	—	B	

SHACKLETON Mk. 2

RADIO AND RADAR INSTALLATION

Page 714a

Ref. No.	Part No.	Description				No. off	Matl. Spec.	Cl. of St.	Plate and Illust'n No.
		1	2	3	4			M.R.	
A.S.V. MK. 21 INSTALLATION (T4282)									
(Cont'd)									
10HB/1538	—					1	—	B	
10V/16278	—					1	—	A	63/122
10Q/16266	—					1	—	A	63/134
6B/2649	—					1	—	A	62/45
(See also Blue Silk Installation)									
10D/20213	—					1	—	A	63/135
6W/12	—					1	—	A	
10B/17724	—					1	—	A	63/133
10D/20214	—					1	—	A	63/136
10L/16401	—					1	—	A	
6W/4	—					1	—	A	63/137
10D/21256	—					1	—	A	62/72
10K/18939	—					1	—	A	63/138
10B/18396	—					1	—	A	63/139
10B/18397	—					1	—	B	63/140
(For mounting of power unit, waveform generator and equipment in scanner housing, see Fuselage—Rear Centre Portion)									

SHACKLETON Mk. 2

RADIO AND RADAR INSTALLATION

Ref. No.	Part No.	Description				No. off	Matl. Spec.	Cl. of St.	Plate and Illust'n No.
		1	2	3	4			M.R.	
		A.Y.F. INSTALLATION (T3496)							
		Spares for :—							
110QB/6	—	Altimeter, radio, on port blind flying panel				1	—	A	23/105
	237T3443	CABLE, FR.237, T.R. TO PLUG BREAK, GROUP				1	—		
	403T3443	CABLE, FR.403, PLUG BREAK TO PLUG BREAK, GROUP				1	—		62/2
7477	217T3443	CABLE, FR.217, PLUG BREAK TO PLUG BREAK, GROUP				1	—	B	62/162
	212T3443	CABLE, FR.212, T.B.375 TO FUSE ON FORMER 2 BULKHEAD, GROUP				1	—		
	213T3443	CABLE, FR.213, T.B.375 TO EARTH, GROUP				1	—		
7037	241T3443	CABLE, FR.241, PLUG BREAK TO ALTIMETER AND LIMIT SWITCH, GROUP				1	—	B	62/1
13070	11T2321	Clamp, for cables				8	L1		
13938	1SS3315	Clip, cable				7	L72	C	
13150	19SS3315	Clip, cable				9	L72	C	
13905	14SS706	Clip, cable				7	L72	C	
13621	7SS3264	Clip, cable				2	L72	C	
13095	14SS3315	Clip, cable				2	L72	C	
10HA/4649	5SS3315	Clip, cable				2	L72	C	
10HA/2537	—	Connector, receiving aerial to T.R. ...				1	—	B	
	—	Connector, transmitting aerial to T.R. ...				1	—	B	
		MOUNTING, A.Y.F. AERIALS (T3601)							
		Consisting of :—							
110BB/128	—	Aerial, type 66083				2	—	A	63/94
28D/9140202	AS1246/1C	Bolt, rd.hd, 2 BA				8	—	C	63/95
110H/1875	—	Plug, resistor, at T.R.				1	—	A	
110FB/9	—	Switch, altitude limit, on port blind flying panel				1	—	A	
110DB/25	—	Transmitter-receiver, at navigator's top shelf				1	—	A	62/86
110AB/14	—	Unit, mounting T.R. on navigator's top shelf				1	—	A	

RADIO AND RADAR INSTALLATION

Ref. No.	Part No.	Description				No. off	Matl. Spec.	Cl. of St.	Plate and Illust'n No.
		1	2	3	4			M.R.	
BLUE SILK INSTALLATION (T4533)									
Spares for :—									
6B/633	—	Amplifier, at navigator's station				1	—	A	62/44
10Q/16248	—	Amplifier, tracking unit				1	—	A	63/154
10B/17409	—	Aerial system, type 4359				1	—	A	63/152
10HB/1531	—	Connector, tracking unit amplifier to aerial				1	—	B	
10HB/1621	—	Connector, tracking unit to J.B.				1	—	B	
10HB/1537	—	Connector, aerial to J.B.				1	—	B	
10HB/9521	17T4533	Connector, tracking unit to T.R.				1	—	B	
10HB/1534	16T4533	Connector, shorting plug				1	—	B	
10HB/1622	—	Connector, power unit to T.R.				1	—	B	
10HB/1623	—	Connector, power unit to T.R.				1	—	B	
10HB/1536	—	Connector, tracking unit amplifier to T.B. 524				1	—	B	
10HB/1539	—	Connector, tracking unit amplifier to T.B. 525				1	—	B	
10HB/1532	—	Connector, tracking unit amplifier to impulse counter (Pre-Mod. 988)				1	—	B	
10HB/1542	—	Connector, J.B. to G.P. indicator				1	—	B	
10HB/1541	—	Connector, J.B. to G.P. indicator				1	—	B	
10HB/1540	—	Connector, indicator 4355 to impulse counter and voltmeter				1	—	B	
10HB/1543	—	Connector, amplifier (6B/633) to G.P.1 ...				1	—	B	
10HB/1544	—	Connector, G.P.1 to T.B.490				1	—	B	
10Q/16247	—	Discriminator, tracking unit, type 4357 ...				1	—	A	63/155
6B/2649	—	Indicator, G.P. Mk. 4A				1	—	A	62/45
10Q/16249	—	Indicator, impulse counter type 4355, on navigator's panel				1	—	A	24/156
10Q/16246	—	Indicator, type 4366, on navigator's panel, forward portion				1	—	A	
MOUNTING, JUNCTION BOX, ON FORMER 22 (1T4504)									
Spares for :—									
10D/19963	—	Box, junction				1	—	A	63/153
	2T4504	BRACKET, MOUNTING, GROUP				1	—		63/151
10H/18931	—	Cap, blanking				1	—	C	
10H/0970055	—	Cap, blanking				3	—	C	
10H/20596	—	Plug, shorting, at tracking unit				1	—	B	
10D/19653	—	Transmitter-receiver, type 4364				1	—	A	
10K/18356	—	Unit, power, type 4358, for tracking unit...				1	—	A	63/156
5Q/25708	—	Voltmeter, on navigator's panel				1	—	A	
	GABRIEL WGD/1127/12	Waveguide, flexible, 12"				1	—		
	5T4490	WAVEGUIDE, FIXED, GROUP (For mounting of tracking unit, aerial, T.R. and waveguides, see Fuselage—Rear Centre Portion. For mounting of G.P.1 on navigator's bottom shelf see Fuselage—Front Centre Portion)							

SHACKLETON Mk. 2

RADIO AND RADAR INSTALLATION

Ref. No.	Part No.	Description				No. off	Matl. Spec.	Cl. of St.	Plate and Illust'n No.	
		1	2	3	4			M.R.		
GEE MK. 2 INSTALLATION (T3488)										
(Mod. 988)										
Spares for :—										
10A/15297	—	Adaptor, ring, for indicator				1	—	B	62/101	
10HA/7846	—	Connector, loading unit to receiver				1	—	B		
	6T3488	Connector, receiver to indicator				1	—			
	3T3488	Connector, receiver to indicator				1	—			
10HB/8676	2T3488	Connector, receiver to auto-transformer ...				1	—	B		
10QB/6382	—	Indicator, type 266				1	—	A		
MOUNTING, GEE AERIAL (1T2127)										
Spares for :—										
10B/16026	—	Aerial, type 329				1	—	A		62/21
2205	3T2127	BRACKET, MOUNTING, GROUP				1	—	C		62/22
5X/2786	—	Grommet, No. 2				1	—	C	62/23	
2700	7T1679	Guard, ice				1	S3	C	62/24	
2207	5T2127	Plate, insulating				1	BSS668	C	62/25	
10B/16025	—	Unit, loading, type 51				1	—	A	62/26	
2208	4T2127	Washer, sealing, $\frac{1}{8}$ " thick x $2\frac{1}{2}$ "				1	Rubber	C	62/27	
10A/14481	—	Mounting, receiver, on navigator's top shelf				1	—	A	62/84	
10DB/8477	—	Receiver, R3645, on nav's top shelf ...				1	—	A		
10KB/1449	—	Transformer, auto, type 1562, on navigator's top shelf				1	—	A		
10A/15295	—	Visor, type 21, for indicator				1	—	B		

RADIO AND RADAR INSTALLATION

Ref. No.	Part No.	Description				No. off	Matl. Spec.	Cl. of St.	Plate and Illust'n No.
		1	2	3	4			M.R.	
		I.F.F. INSTALLATION (T4605)							
		Spares for :—							
	475T3443	CABLE, FR.475, CONTROL UNIT TO CODER, GROUP				1	—		
	476T3443	CABLE, FR.476, T.R. TO CONTROL UNIT AND SWITCH, GROUP				1	—		
	466T3443	CABLE, FR.466, T.R. TO T.B.510, GROUP				1	—		
	400T3443	CABLE, FR.400, T.B.510 TO AERIAL POSITION SWITCH, GROUP				1	—		
	397T3443	CABLE, FR.397, AERIAL SWITCH TO AERIAL POSITION SWITCH, GROUP				1	—		
15062	464T3443	CABLE, FR.464 CODER TO T.R. GROUP				1	—	B	
10HB/1620	—	Connector, top aerial to aerial switch ...				1	—	B	
10HA/17493	—	Connector, bottom aerial to aerial switch...				1	—	B	
10HA/17490	—	Connector, aerial switch to T.R. ...				1	—	B	
	1T4024	MOUNTING, AERIAL, TOP, GROUP				1	—		
		Spares for :—							
10B/17241	—	Aerial, type 100 ...				1	—	A	
	2T4024	Plate, mounting ...				1	L72		
	5T4024	PLATE, NUT, GROUP ...				1	—		
15081	4T4024	Ring, packing ...				1	L72	C	
15080	3T4024	Washer, sealing, $\frac{1}{32}$" thick ...				2	Rubber	C	
	1T4025	MOUNTING, AERIAL, BOTTOM, GROUP				1	—		
		Spares for :—							
10B/17241	—	Aerial, type 100 ...				1	—	A	
	8T4025	MOUNTING, DISHED, GROUP ...				1	—		
	3T4025	Ring, packing ...				1	DTD364		
	9T4025	Washer, sealing aerial ...				1	Rubber		
	10T4025	Washer, sealing aerial mounting ...				1	Rubber		

SHACKLETON Mk. 2

RADIO AND RADAR INSTALLATION

Ref. No.	Part No.	Description				No. off	Matl. Spec.	Cl. of St.	Plate and Illust'n No.
		1	2	3	4			M.R.	
		MOUNTING, TRANSMITTER-RECEIVER & AERIAL SWITCH (T4023)							
		Spares for :—							
5X/9402803	UGU212U					1	—		
	—					1	—	C	
	8T4023	BRACKET, MOUNTING, TRANSMITTER-RECEIVER, GROUP (Mod. 771)				1	—		63/127
5X/9402794	—					1	—	C	
10AR/2634	—					1	—	C	
5CW/4860	—					1	—	C	
10AJ/143	—					2	—	B	
10AJ/137	—					2	—	B	
10AS/2229	—					1	—	C	
5X/9994577	—					3	—	C	
5X/9402799	—					2	—	C	
5CW/4197	—					1	—	A	
10D/20334	—					1	—	A	63/200
11161	1T3682	TRAY, MOUNTING T.R., GROUP				1	—	C	63/128
	—					1	—		
10F/17424	—					1	—	A	
10L/209	—					1	—	A	63/60
		(See Intercomm. Installation)							
	16K-1600-086290582					1	—		
10A/17930	—					8	—	C	
10A/19429	—					4	—	C	
		MOUNTING, SUPPRESSOR AND RELAY (9T4022)				1	—		
		Spares for :—							
	3T4022	PLATE, MOUNTING, GROUP ...				1	—		63/201
5CW/3943	—					1	—	A	63/202
5CY/5169	—					1	—	A	63/203
	6T4606	SWITCH, ON W/T OPERATOR'S AUX. PANEL, GROUP				1	—		
		Consisting of :—							
7898	106SS6005					1	—	C	
5CW/4221	—					1	—	B	25/201
10L/16192	—					1	—	A	25/205
		Unit, control, type 927 on W/T operator's aux. panel							
	16K-1600-036290585					1	—		25/206
		Unit, control, type C-1128/APX25, on W/T operator's aux. panel							

RADIO AND RADAR INSTALLATION

Ref. No.	Part No.	Description				No. off	Matl. Spec.	Cl. of St.	Plate and Illust'n No.
		1	2	3	4			M.R.	
		I.L.S. INSTALLATION (T4739) (Mod. 771)							
		Spares for :—							
10B/16706	—	Aerial, suppressed marker, type 237 ...				1	—	A	
10D/17676	—	Box, junction, type 148				1	—	A	
	439T3443	CABLE, FR.439, T.B.489 TO EARTH, GROUP				1	—		
	438T3443	CABLE, FR.438, T.B.489 TO VOLTAGE, REGULATOR, GROUP				1	—		
	477T3443	CABLE, FR.477, J.B.164 TO WARNING LAMP, GROUP				1	—		
	440T3443	CABLE, FR.440, SWITCH ON CANOPY ROOF PANEL TO T.B.489, GROUP				1	—		
	485T3443	CABLE, FR.485, SWITCH ON PILOT'S PANEL TO W/T OPS. PANEL, GROUP				1	—		
	444T3443	CABLE, FR.444, RELAY TO W/T OPS. PANEL, GROUP				1	—		
	602T4142	CABLE, FR.602, J.B.148 TO T.B.328, GROUP				1	—		
	645T4142	CABLE, FR.654, RELAY TO J.B.148, GROUP				1	—		
	656T4142	CABLE, FR.656, RELAY TO J.B.148, GROUP				1	—		
	657T4142	CABLE, FR.657, RELAY TO T.B.102, GROUP				1	—		
10HB/4028	—	Connector, J.B.157 to T.B.489				1	—	B	
10HA/15280	—	Connector, aerial to plug break				1	—	B	
10HA/15502	—	Connector, aerial to plug break				1	—	B	
10HB/4027	—	Connector, J.B.151 to T.B.489				1	—	B	
10HB/8847	1T4739	Connector, J.B.157 to J.B.612 & 614 ...				1	—	B	
10HB/4031	—	Connector, J.B.157 to J.B.148				1	—	B	
10HB/4036	—	Connector, J.B.157 to J.B.148				1	—	B	
10HB/4035	—	Connector, J.B.157 to J.B.148				1	—	B	
10HB/4033	—	Connector, localiser marker receiver to aerial plug break				1	—	B	
10HB/4034	—	Connector, glide path receiver to aerial plug break				1	—	B	
10HB/4037	—	Connector, localiser marker receiver to marker aerial				1	—	B	
10HB/4029	—	Connector, J.B.164 to J.B.157				1	—	B	
10HB/4030	—	Connector, indicator on port blind flying panel to J.B.164				1	—	B	
10Q/61	—	Indicator, type 7 on port blind flying panel				1	—	A	23/109
5CX/1553	—	Lamp, warning, on port blind flying panel				1	—	B	23/106

SHACKLETON Mk. 2

RADIO AND RADAR INSTALLATION

Ref. No.	Part No.	Description				No. off	Matl. Spec.	Cl. of St.	Plate and Illust'n No.
		1	2	3	4			M.R.	
		MOUNTING, LOCALISER AND GLIDE PATH AERIAL (T4463)							
		Spares for :—							
10B/16705	—	Aerial, type 236				1	—	A	
	17T4463	PANEL, ACCESS TO AERIAL,				1	—		
		MOUNTING, RECEIVERS & VOLTAGE REGULATORS BETWEEN FORMERS " F & G " (1T4464)							
		Spares for :—							
5H/9402803	—	Block, terminal				1	—	C	
10D/17815	—	Box, junction, type 157				1	—	A	62/37
10H/Z970055	—	Cap, blanking				1	—	C	
5H/9	—	Cover, T.B.... ..				1	—	C	
5H/24	—	Ferrule				1	—	C	
10AJ/118	—	Mounting, type 933				1	—	A	
10D/17818	—	Receiver, R1964				1	—	A	62/38
10D/17819	—	Receiver, type R1965				1	—	A	62/39
5UC/5418	—	Regulator, voltage, type 60				1	—	A	62/40
	2T4464	SHELF, MOUNTING, GROUP ...				1	—		62/41
5H/125	—	Socket, double				4	—	C	
	4T4464	Stay, for shelf at former " F "				1	T35		62/42
	3T4464	Stay, for shelf at former " G "				1	T35		62/43
10A/17930	—	Washer, check				4	—	C	
		MOUNTING, CONTROL PANEL & I.L.S. J.B. (V8845)							
		Spares for :—							
10D/17921	—	Box, junction, type 164				1	—	A	
5UC/5759	—	Panel, control, type 15				1	—	A	
5CW/4184	—	Switch, on canopy roof panel				1	—	B	
5CW/2007	—	Switch, relay, type Q1				1	—	A	
10L/263	—	Unit, control, type 705 on canopy roof panel				1	—	A	39/67

RADIO AND RADAR INSTALLATION

Ref. No.	Part No.	Description				No. off	Matl. Spec.	Cl. of St.	Plate and Illust'n No.
		1	2	3	4			M.R.	
		INSTALLATION OF A.R.I.18144 (T4750) (Mod. 771)							
		Spares for :—							
10B/17507	—	Aerial, c/w mixer unit, between formers 12 & 16A				1	—	B	
10U/16881	—	Amplifier, type 7450				1	—	A	
	—	Amplifier, type X13049				1	—		
	—	Box, junction, type X1711				1	—		
	1051T3443	CABLE, FR.1051, T.B.'s 613 & 614 TO T.B.631, GROUP				1	—		
	1047T3443	CABLE, FR.1047, N.B. SWITCH TO T.B.631, GROUP				1	—		
	1T4750	Connector, aerial plug housing to control unit X9987				1	—		
	2T4750	Connector, aerial plug housing to control unit X9987				1	—		
	3T4750	Connector, aerial plug housing to control unit X9987				1	—		
	4T4750	Connector, aerial plug housing to control unit X9987				1	—		
	5T4750	Connector, receiver to control unit X9987				1	—		
	6T4750	Connector, receiver to control unit X9987				1	—		
	7T4750	Connector, receiver to control unit X9987				1	—		
	8T4750	Connector, receiver to control unit X9987				1	—		
	9T4750	Connector, J.B. to control unit X9987 ...				1	—		
	10T4750	Connector, aerial plug housing to J.B. ...				1	—		
	11T4750	Connector, J.B. to switch panel				1	—		
	12T4750	Connector, J.B. to T.B.631				1	—		
	13T4750	Connector, J.B. to Blue Silk J.B.				1	—		
	14T4750	Connector, J.B. to plug break				1	—		
	15T4750	Connector, J.B. to power unit X9986 ...				1	—		
	16T4750	Connector, J.B. to indicator X9984 ...				1	—		
	17T4750	Connector, power unit X9986 to indicator X9984				1	—		
	18T4750	Connector, power unit X9986 to indicator X9984				1	—		
	19T4750	Connector, plug break to A.S.V. modulator				1	—		
	20T4750	Connector, aerial plug housing to mixer unit				1	—		
	21T4750	Connector, mixer unit to amplifier ...				1	—		
	22T4750	Connector, mixer unit to oscillator ...				1	—		
	23T4750	Connector, oscillator to mixer unit ...				1	—		
	24T4750	Connector, oscillator to power unit 7495				1	—		
	25T4750	Connector, power unit to switch panel ...				1	—		
	26T4750	Connector, power unit 7824 to switch panel				1	—		
	27T4750	Connector, oscillator to control unit 9103...				1	—		

SHACKLETON Mk 2

RADIO AND RADAR INSTALLATION

Ref. No.	Part No.	Description				No. off	Matl. Spec.	Cl. of St.	Plate and Illust'n No.
		1	2	3	4			M.R.	
INSTALLATION OF A.R.I.18144 (T4750) (Mod. 771) (Cont'd)									
	28T4750	Connector , oscillator to control unit 9103				1	—		
	29T4750	Connector , amplifier 7450 to control unit 7449				1	—		
	30T4750	Connector , amplifier X13049 to amplifier 7450				1	—		
	31T4750	Connector , amplifier X13049 to amplifier 7450				1	—		
	32T4750	Connector , amplifier X13049 to filter ...				1	—		
	33T4750	Connector , power unit 7495 to filter ...				1	—		
	34T4750	Connector , power unit 7495 to switch panel				1	—		
	35T4750	Connector , amplifier X13049 to J.B. ...				1	—		
	36T4750	Connector , aerial plug housing to aerial mixer unit				1	—		
	37T4750	Connector , aerial to oscillator ...				1	—		
	38T4750	Connector , G.4.B. dist. box to indicator ...				1	—		
	39T4750	Connector , control panel to plug housing...				1	—		
	—	Indicator , type X9984 at radar station ...				1	—		
MOUNTING, POWER UNIT IN CENTRE PORTION (T4791)									
	—	Spares for :—							
	—	Mounting , type X11033 ...				1	—		
	—	Unit , power, type X9986 ...				1	—		
	1T4765	PANEL, CONTROL, GROUP ...				1	—		62/108
	—	Spares for :—							
5CX/2279	—	Cover , terminal, for lamp ...				1	—	C	
5L/9951273	—	Filament , for call lamp ...				1	—	B	
5L/1928	—	Filament ...				1	—	B	
	SMITH'S C457/EB4	Indicator , magnetic flag ...				4	—		62/109
5CX/2282	—	Lampholder ...				1	—	B	
5CX/1069	—	Lamp , call ...				1	—	B	
	10T3554	Link , for indicator ...				8	—		
	1T4755	PANEL, LESS EQUIPMENT, GROUP				1	—		
5CW/3945	—	Relay , type S4 ...				1	—	A	62/110
5CX/2283	—	Ring , locking, for lampholder ...				1	—	C	
	9T3594	Screen , reset lamp...				1	—		
5CW/6435	—	Switch , for A.R.I.18144 ...				1	—	A	
	DOWTY C1223Y.Mk.3	Switch , lever ...				1	—		62/111
5CW/4221	—	Switch , i/c call ...				1	—	B	
5CW/4184	—	Switch , A.S.V. ...				1	—	B	
10AJ/1534	—	Tray , mounting, type 7825 for control unit 7449				1	—	A	
10AJ/1542	—	Tray , mounting, type 9214, for control unit 9103				1	—		
	DOWTY C9955.Mk.C	Unit , air release valve ...				1	—		62/112
10L/16140	—	Unit , control, type 7449 ...				1	—	A	
10L/16504	—	Unit , control, type 9103 ...				1	—	A	
	—	Unit , control, type X9987 ...				1	—		

RADIO AND RADAR INSTALLATION

Ref. No.	Part No.	Description				No. off	Matl. Spec.	Cl. of St.	Plate and Illust'n No.
		1	2	3	4			M.R.	
INSTALLATION OF A.R.I.18144 (T4750)									
(Mod. 771) (Cont'd)									
10V/16237	—					1	—	A	
	—					1	—		
	—					1	—		
	—					1	—		
10K/18273	—					1	—	A	
10K/17941	—					1	—	A	
10P/16186	—					1	—	A	
10D/19908	—					1	—	A	
10D/19898	—					1	—	A	

RADIO AND RADAR INSTALLATION

Ref. No.	Part No.	Description				No. off	Matl. Spec.	Cl. of St.	Plate and Illust'n No.
		1	2	3	4			M.R.	
INSTALLATION OF A.R.I.18101/1 (T4668) (Mod. 771)									
		Spares for :—							
	—	Backplate , type X11804, for comparator unit				1	—		
10HB/8765	1T4668	Connector , comparator to equipment on backplate				1	—	B	
10HB/8766	2T4668	Connector , control unit to A.R.I.18108/1 J.B.				1	—	B	
10HB/8767	3T4668	Connector , relay "A" to receiver "A" ...				1	—	B	
10HB/8768	4T4668	Connector , relay "B" to receiver "B" ...				1	—	B	
10HB/8769	5T4668	Connector , relay "A" to amplifier ...				1	—	B	
10HB/8770	6T4668	Connector , relay "B" to amplifier ...				1	—	B	
10HB/8771	7T4668	Connector , comparator to filter, port ...				1	—	B	
10HB/8772	8T4668	Connector , comparator to filter, starboard				1	—	B	
10HB/8773	9T4668	Connector , filter to plug break, port ...				1	—	B	
10HB/8774	10T4668	Connector , filter to plug break, starboard				1	—	B	
10HB/8775	11T4668	Connector , navigator's plug break to inner wing break, port				1	—	B	
10HB/8776	12T4668	Connector , navigator's plug break to inner wing break, starboard				1	—	B	
10HB/8777	13T4668	Connector , inner to outer wing plug breaks, port				1	—	B	
10HB/8778	14T4668	Connector , inner to outer wing plug breaks, starboard				1	—	B	
10HB/8779	15T4668	Connector , outer wing break to aerial, port				1	—	B	
10HB/8780	16T4668	Connector , outer wing break to aerial, starboard				1	—	B	
MOUNTING, AERIALS, PORT & STARBOARD (1 & 11T4846)									
		Spares for :—							
10B/17989	7bT4691	AERIAL, GROUP				1	—	A	
		Spares for :—							
	7hT4691	Aerial				1	—		
	7cT4691	Block , insulating				1	DTD846A		
	7dT4691	LEAD-IN, GROUP				1	—		
14404	9T4846	Block , packing, for reflector				2	DTD410	C	
14403	8T4846	Block , packing, for director				2	DTD410	C	
10B/17992	8cT4691	Director (Pre-Mod. 1031)				1	—	A	
14902	1T5420	Director (Mod. 1031)				1	—	A	
14846	2T4846	Platform , aerial mounting, port				1	S510	B	
	3T4846	Platform , aerial mounting, starboard				1	S510		
10B/17990	10cT4691	Reflector (Pre-Mod. 1031)				1	—	A	
14903	2T5420	Reflector (Mod. 1031)				1	—	A	
	—	Unit , comparator, type X7968 on navigator's top shelf				1	—		
	—	Unit , control, type X11141, at navigator's station				1	—		
	—	Unit , filter, type X1707, on navigator's top shelf				2	—		

RADIO AND RADAR INSTALLATION

Ref. No.	Part No.	Description				No. off	Matl. Spec.	Cl. of St.	Plate and Illust'n No.
		1	2	3	4			M.R.	
		INSTALLATION OF A.R.I.18108/1 & A.R.I. 18103 (T4665) (Mod. 771)							
	13T3884	Spares for :— BOX, DISTRIBUTION, AT SONO-BUOY STATION, GROUP				1	—		
	—	Box , junction, type X9429, at sono-buoy station				1	—		
	207T3443	CABLE, FR.207, DISTRIBUTION BOX TO RADAR SWITCH PANEL, GROUP				1	—		
	2T4665	Connector , indicator unit to J.B.				1	—		
	3T4665	Connector , receiver " B " to J.B.				1	—		
	4T4665	Connector , J.B. to receiver " A "				1	—		
	5T4665	Connector , amplifier unit to J.B.				1	—		
	6T4665	Connector , distribution box to J.B.				1	—		
	7T4665	Connector , control unit (A) to J.B.				1	—		
	8T4665	Connector , control unit (B) to J.B.				1	—		
	9T4665	Connector , amplifier to filter unit				1	—		
	10T4665	Connector , filter unit to aerial				1	—		
	11T4665	Connector , control unit to T.B.613				1	—		
10Q/97	—	Indicator , type 7961, at navigator's station				1	—	A	
		MOUNTING, AERIAL, BETWEEN FORMERS 21 & 22 (T4730)							
		Spares for :—							
10B/17988	1T4690	AERIAL, GROUP				1	—	A	
		Consisting of :—							
10B/16623	—	Aerial				1	—	B	
14518	2T4690	Rod , aerial				1	—	B	
10AS/84	—	Washer , sealing				1	—	C	
10AL/97	—	Grommet				1	—	C	
14362	2T4628	MOUNTING, GROUP				1	—	C	
14363	3T3833	PLATE, STIFFENING, GROUP				1	—	C	
9303	4T3826	Shield , ice				1	S3	C	
	—	Receiver , at sono-buoy station				2	—		
	—	Unit , amplifier, type X11144				1	—		
10P/13292	—	Unit , filter, at sono-buoy station				1	—	A	
	—	Unit , power, type X1929, at navigator's station				1	—		
	—	Unit , indicator, type CRT1928				1	—		
	—	Unit , control, type X9468				1	—		

SHACKLETON Mk. 2

RADIO AND RADAR INSTALLATION

Ref. No.	Part No.	Description				No. off	Matl. Spec.	Cl. of St.	Plate and Illust'n No.
		1	2	3	4			M.R.	
INSTALLATION OF A.R.I.18107/2 (T4673) (Mod. 771)									
		Spares for :—							
10B/18265	—	Aerial , omni, type 100A, between formers "E & F"				1	—	A	
10AR/3026	—	Backplate , for coupling unit				1	—	A	
	1T4673	Connector , coupling unit to T.R.				1	—		
	2T4673	Connector , coupling unit to T.R. and T.B. 547				1	—		
	3T4673	Connector , coupling unit to pilot's indicator				1	—		
	4T4673	Connector , coupling unit to navigator's indicator				1	—		
	5T4673	Connector , T.R. to T.B.547				1	—		
	6T4673	Connector , T.R. to control unit, dimmer switch and T.B.'s 612 & 614				1	—		
	7T4673	Connector , T.R. to aerial				1	—		
10Q/16355	—	Indicator , type 9547, on pilot's and navigator's panels				2	—	A	24/157
MOUNTING, AERIAL, BETWEEN FORMERS "E & F" (T4754)									
		Spares for :—							
	5T4754	Ring , packing				1	L40		
	9T4754	Washer , sealing, $\frac{1}{32}$ " x 7.2" x 2.6"				1	DTD552		
	10T4754	Washer , sealing, $\frac{1}{32}$ " x 8.3" x 4.1"				1	DTD552		
10D/22509	—	Transmitter-receiver , type 9171				1	—	A	
10AJ/251	—	Tray , mounting, T.R. type 9274				1	—	A	
10AJ/258	—	Tray , mounting, type 9545 for coupling unit				1	—	A	
10D/22534	—	Unit , coupling, type 9546, in nose				1	—	A	
10L/16324	—	Unit , control, type 9273, on navigator's panel				1	—	A	24/313

RADIO AND RADAR INSTALLATION

Ref. No.	Part No.	Description				No. off	Matl. Spec.	Cl. of St.	Plate and Illust'n No.
		1	2	3	4			M.R.	
		INSTALLATION OF A.R.I.18120/4 & A.R.I. 18124/1 (T4671) (Mod. 771)							
		Spares for :—							
10B/16907	—	Aerial, type 11421, between formers "H & J"				2	—	A	
	5985-99-932-6863	Aerial, type 140LRU-101B, between formers "F & G" and 17 & 18				2	—		
5CZ/432	—	Block, terminal, on equipment stowage between formers "F & G"				2	—	B	
5CZ/430	—	Block, terminal, on equipment stowage between formers "F & G"				5	—	B	
	—	Box, junction, type X9636				1	—		
	486T3443	CABLE, FR.486, T.B.621 TO AERIAL SWITCH, GROUP				1	—		
	1056T3443	CABLE, FR.1056, T.B.668 TO TONE SWITCH, GROUP				1	—		
	489T3443	CABLE, T.R.489, T.B.620 TO T.B.559, GROUP				1	—		
	485T3443	CABLE, FR.485, T.B.621 TO PLUG BREAK, GROUP				1	—		
	477T3443	CABLE, FR.477, T.B.620 TO SENSITIVITY SWITCH, GROUP				1	—		
	490T3443	CABLE, FR.490, T.B.'s 617, 618 & 619 TO T.B.606				1	—		
	1T4671	Connector, A.F. unit to T.R.				1	—		
	2T4671	Connector, A.F. unit to control unit on canopy panel				1	—		
	3T4671	Connector, T.B.'s 617, 618 & 619 to A.F. unit				1	—		
	4T4671	Connector, A.F. unit to T.B.668				1	—		
	5T4671	Connector, A.F. unit to J.B.... ..				1	—		
	6T4671	Connector, A.F. unit to R.F. unit				1	—		
	7T4671	Connector, A.F. unit to T.B.552				1	—		
	8T4671	Connector, J.B. to T.B.620				1	—		
	9T4671	Connector, T.R. to R.F. unit				1	—		
	10T4671	Connector, R.F. unit to relay				1	—		
	11T4671	Connector, R.F. unit to aerial, starboard ...				1	—		
	12T4671	Connector, R.F. unit to aerial, port				1	—		
	13T4671	Connector, relay to upper aerial				1	—		
	14T4671	Connector, relay to lower aerial				1	—		
	7T4673	Fairlead, half, for aerial between formers 17 & 18				2	BS2572		
	5821-99-942-8544	Mounting, type MT.1477 for T.R.				1	—		
10AJ/279	—	Mounting, type 11502 for A.F. unit				1	—	A	
10AJ/280	—	Mounting, type 11053 for R.F. unit				1	—	A	
10F/18374	—	Relay, magnetic, type 1741				1	—	A	
5CW/6438	—	Switch, S.P. No. 3 on canopy panel... ..				2	—	B	39/71
5CW/2531	—	Switch, dimmer, on canopy panel				1	—	A	39/77
	5821-99-942-8544	Transmitter-receiver, type ARC.52/TR.5				1	—		
10D/20572	—	Unit, A.F. type 9635				1	—	A	
10D/20571	—	Unit, R.F. type 11037				1	—	A	
	5821-99-942-8544	Unit, control, C.1607/ARC.52 in canopy ...				1	—		39/68

RADIO AND RADAR INSTALLATION

Ref. No.	Part No.	Description				No. off	Matl. Spec.	Cl. of St.	Plate and Illust'n No.
		1	2	3	4			M.R.	
		INSTALLATION OF A.R.I.5874 (T4670) (Mod. 771)							
		Spares for :—							
		AERIAL, TRAILING (T2247)							
		Spares for :—							
28E/10027	80/000					1	—	C	
937	1D7481					1	—	C	62/12
10B/9123	—					1	—	A	62/13
938	1T2286					1	—	A	62/14
10B/11038	—					1	—	A	62/15
10B/8913	—					1	—	A	
28S2061	AGS246/20					2	Brass	C	
2204	3T2286					1	T7	C	62/16
1184	4T2286					1	—	C	62/17
10B/7298	—					1	—	A	62/18
10B/9005	—					1	—	A	62/19
10B/8235	—					1	—	C	62/20
10D/19066	—					1	—	A	62/116
	1068T3443					1	—		
		Box, junction, type 4191 at radar station ...							
		CABLE, FR.483, STARBOARD AERIAL TO PLUG BREAK AND SPARKGAP, GROUP (Mod. 967)							
	478T3443					1	—		
		CABLE, FR.478, PLUG BREAK TO T.B.'s 605, 603 & 607, GROUP							
	481T3443					1	—		
		CABLE, FR.481, MAIN AERIAL PLUG BREAK TO AERIAL TUNING UNIT, GROUP							
	484T3443					1	—		
		CABLE, FR.484, EMER. AERIAL PLUG BREAK TO EARTH, GROUP							
	480T3443					1	—		
		CABLE, FR.480, T.B.603 TO EARTH, GROUP							
10HB/8677	1T4670					1	—	B	
		Connector, aerial tuning unit (8S) to control unit 4243							
10HB/8678	2T4670					1	—	B	
		Connector, aerial tuning unit (8R) to control unit 4243							
10HB/8679	3T4670					1	—	B	
		Connector, control unit 4243 to power and radio unit (3A)							
10HB/8680	4T4670					1	—	B	
		Connector, control unit 4243 to receiver (4L)							
10HB/8681	5T4670					1	—	B	
		Connector, control unit 4243 to transmitter (2C)							
10HB/8682	6T4670					1	—	B	
		Connector, control unit 4243 to transmitter (2G)							
10HB/8683	7T4670					1	—	B	
		Connector, control unit 4243 to J.B. (12AE)							

RADIO AND RADAR INSTALLATION

Ref. No.	Part No.	Description				No. off	Matl. Spec.	Cl. of St.	Plate and Illust'n No.
		1	2	3	4			M.R.	
		INSTALLATION OF A.R.I. 5874 (T4670) (Cont'd)							
10HB/8684	8T4670					1	—	B	
10HB/8685	9T4670					1	—	B	
10HB/8686	10T4670					1	—	B	
10HB/8687	11T4670					1	—	B	
10HB/8688	12T4670					1	—	B	
10HB/8689	13T4670					1	—	B	
10HB/8690	14T4670					1	—		
10HB/8691	15T4670					1	—		
10HB/8692	16T4670					1	—		
		INSTALLATION OF FIXED AERIAL SYSTEM, PORT AND STARBOARD (1 & 2T5386) (Mod. 967) Spares for :—							
	3T5385					1	—		
14784	5T5385					1	—	B	
	5aT5385					1	—		
	5bT5385					1	—		
		INSTALLATION OF AERIAL MAST AND SPARK GAP, PORT AND STARBOARD AT STRINGER 18B (1 & 2T5388) Spares for :—							
	CHELTON Z5433					1	—		
14785	3T5427					1	BS265	C	
14786	4T5427					1	BS265	C	
	5T5388					1	DTD551B		
	4T5388					1	DTD551B		
						1	—		
	5T5390					1	BS2572		
28P/13564	SP28/G6					1	—	C	
	CHELTON 4063					1	—		
	4T5385					1	—		

SHACKLETON Mk. 2

RADIO AND RADAR INSTALLATION

Ref. No.	Part No.	Description				No. off	Matl. Spec.	Cl. of St.	Plate and Illust'n No.
		1	2	3	4			M.R.	
INSTALLATION OF A.R.I. 5874 (T4670)									
(Cont'd)									
10D/19640	—					1	—	A	62/117
5UC/6010	—					1	—	A	62/103
5CW/4182	—					1	—	B	25/203
5CW/4179	—					1	—	B	25/209
10D/19065	—					1	—	A	62/114
10L/16204	—					1	—	A	25/192
10K/19067	—					1	—	A	62/120
10L/16207	—					1	—	A	62/107
10D/19238	—					1	—	A	62/106

RADIO AND RADAR INSTALLATION

Ref. No.	Part No.	Description				No. off	Matl. Spec.	Cl. of St.	Plate and Illust'n No.
		1	2	3	4			M.R.	
		INSTALLATION OF A.R.I.18157 (T4666) (Mod. 771)							
		Spares for :—							
10HB/8840	—	Box, junction, homing, type X1143	...		1	—			
10HB/8841	1T4666	Connector, control unit, to homing J.B.	...		1	—	B		
10HB/8842	2T4666	Connector, homing, J.B. to switch unit	...		1	—	B		
10HB/8844	3T4666	Connector, homing, J.B. to J.B. X9636	...		1	—	B		
	4T4666	Connector, homing, J.B. to navigator indicator			1	—	B		
	5T4666	Connector, homing, J.B. to pilot's indicator			1	—			
10Q/61	—	Indicator, type 7, on pilot's and navigator's panels			2	—		24/314	
	—	Unit, switch, type X1145 on canopy panel			1	—			
		INSTALLATION OF A.R.I.18057/1 (T4675) (Mod. 771)							
		Spares for :—							
10AQ/	—	Board, plotting, type 6183	...		1	—	A		
10HB/8846	1T4675	Connector, plotting board to indicator unit			1	—	B		
	—	Unit, indicator, type CRT1928	...		1	—			
		(See A.R.I.18108/1 installation)							
		INSTALLATION OF A.R.I.18089 IN NOSE PORTION (2T4870) (T4492) (T4669)							
		Spares for :—							
	1T3443	CABLE, FR.1, T.B.306 TO T.B.616, GROUP			1	—			
	2T3443	CABLE, FR.2, T.B.307 TO T.B.377, GROUP			1	—			
	3T3443	CABLE, FR.3, T.B.308 TO T.B.378, GROUP			1	—			
	31T3443	CABLE, FR.31, T.B.'s 306, 307 & 308 TO GUNNER'S PLUG BREAK, GROUP			1	—			
	455T3443	CABLE, FR.455, T.B.'s 306, 307 & 308 TO PLUG BREAK AND T.B.'s 399 & 400, GROUP			1	—			
	60T3443	CABLE, FR.60, PLUG BREAK TO CALL LAMP AND J.B., GROUP			1	—			
	176T3443	CABLE, FR.176, CALL LAMP TO J.B., GROUP			1	—			
	181T3443	CABLE, FR.181, J.B. TO P.T.C. BUTTON GROUP			1	—			
	180T3443	CABLE, FR.180, T.B.411 TO J.B., GROUP			1	—			
	179T3443	CABLE, FR.179, T.B.412 TO J.B., GROUP			1	—			

SHACKLETON Mk. 2

RADIO AND RADAR INSTALLATION

Ref. No.	Part No.	Description				No. off	Matl. Spec.	Cl. of St.	Plate and Illust'n No.
		1	2	3	4			M.R.	
		INSTALLATION OF A.R.I.18089 IN NOSE PORTION (2T4870) (T4492) (T4669) (Cont'd)							
	350T3443	CABLE, FR.350, CONTROL UNIT TO T.B.308, GROUP				1	—		
	355T3443	CABLE, FR.355, CONTROL UNIT TO T.B.306, GROUP				1	—		
	356T3443	CABLE, FR.356, CONTROL UNIT TO T.B.307, GROUP				1	—		
13905	7SS3264	Clip, cable				7	—	C	
14114	11SS3315	Clip, cable				3	—	C	
13099	5SS3264	Clip, cable				4	—	C	
13075	1SS3329	Clip, cable				5	—	C	
10HA/16857	—	Connector, gunner's mic-tel				1	—	B	
10AR/2634	—	Fairlead, for connector				1	—	C	
10AS/16857	—	Peg, stowage				1	—	B	
		A.R.I.18089 INSTALLATION IN FRONT CENTRE PORTION (3T4870) (T4669)							
		Spares for :—							
	261T3443	CABLE, FR.261, T.B.312 TO T.B.315, GROUP				1	—		
	262T3443	CABLE, FR.262, T.B.313 TO T.B.316, GROUP				1	—		
	266T3443	CABLE, FR.266, T.B.314 TO T.B.317, GROUP				1	—		
	270T3443	CABLE, FR.270, T.B.312 TO T.B.376, GROUP				1	—		
	271T3443	CABLE, FR.271, T.B.313 TO T.B.377, GROUP				1	—		
	272T3443	CABLE, FR.272, T.B.314 TO T.B.378, GROUP				1	—		
	267T3443	CABLE, FR.267, ASTRODOME C.U. TO T.B.312, GROUP				1	—		
	268T3443	CABLE, FR.268, ASTRODOME C.U. TO T.B.313, GROUP				1	—		
	269T3443	CABLE, FR.269, ASTRODOME C.U. TO T.B.314, GROUP				1	—		
	1012T3443	CABLE, FR.1012, T.B.627 TO T.B.628, GROUP				1	—		
	1013T3443	CABLE, FR.1013, T.B.627 TO T.B.616, GROUP				1	—		
	1015T3443	CABLE, FR.1015, T.B.609 TO ROUTINE NAVIGATOR'S P. TO T. SWITCH, GROUP				1	—		
	1016T3443	CABLE, FR.1016, T.B.611 TO TACTICAL NAVIGATOR'S P. TO T. SWITCH, GROUP				1	—		
	1017T3443	CABLE, FR.1017, T.B.635 TO CAPTAIN'S P. TO T. SWITCH, GROUP				1	—		

RADIO AND RADAR INSTALLATION

Ref. No.	Part No.	Description				No. off	Matl. Spec.	Cl. of St.	Plate and Illust'n No.
		1	2	3	4			M.R.	
		INSTALLATION OF A.R.I.18089 IN FRONT CENTRE PORTION (3T4870) (T4669) (Cont'd)							
	1024T3443	CABLE, FR.1024, T.B.376, TO T.B.624, GROUP				1	—		
	1025T3443	CABLE, FR.1025, T.B.377 TO T.B.625, GROUP				1	—		
	1031T3443	CABLE, FR.1031, T.B.608 TO T.B.610, GROUP				1	—		
	1033T3443	CABLE, FR.1033, T.B.559 TO T.B.629, GROUP				1	—		
	1034T3443	CABLE, FR.1034, T.B.629 TO FLIGHT ENG'S CALL LAMP, GROUP				1	—		
	1035T3443	CABLE, FR.1035, T.B.629 TO T.B.378, GROUP				1	—		
	1036T3443	CABLE, FR.1036, ROUTINE TO TACTICAL NAVIGATOR'S CALL LAMPS, GROUP				1	—		
	1037T3443	CABLE, FR.1037, ROUTINE NAV'S. CALL LAMP TO T.B.378, GROUP				1	—		
	1038T3443	CABLE, FR.1038, TACTICAL NAV'S. CALL LAMP TO CAPTAIN'S CALL LAMP, GROUP				1	—		
	1042T3443	CABLE, FR.1042, T.B.616 TO EARTH, GROUP				1	—		
	1043T3443	CABLE, FR.1043, T.B.608 TO EARTH, GROUP				1	—		
	1044T3443	CABLE, FR.1044, T.B.638 TO EARTH, GROUP				1	—		
	1045T3443	CABLE, FR.1045, T.B.615 TO MORSE KEY, GROUP				1	—		
	1053T3443	CABLE, FR.1053, T.B.666 TO P. TO T. SWITCH, GROUP				1	—		
	1054T3443	CABLE, FR.1054, T.B.608 TO T.B.665, GROUP				1	—		
13070	1SS3315	Clip, cable				10	—	C	
13071	2SS3315	Clip, cable				18	—		
13579	9SS3315	Clip, cable				4	—		
13621	14SS3315	Clip, cable				3	—		
13938	19SS3315	Clip, cable				4	—		
13108	9SS3264	Clip, cable				3	—		
13109	10SS3264	Clip, cable				3	—		
10HB/8701	5T4669	Connector, tact, nav's. control unit to J.B.7682				1	—	B	
10HB/8702	6T4669	Connector, tact, nav's. control unit to J.B.7683				1	—	B	
10HB/8703	7T4669	Connector, rout, nav's. control unit to J.B.7683				1	—	B	
10HB/8704	8T4669	Connector, rout, nav's. control unit to J.B.7682				1	—	B	

SHACKLETON Mk. 2

RADIO AND RADAR INSTALLATION

Ref. No.	Part No.	Description				No. off	Matl. Spec.	Cl. of St.	Plate and Illust'n No.
		1	2	3	4			M.R.	
INSTALLATION OF A.R.I.18089 IN FRONT CENTRE PORTION (3T4870) (T4669) (Cont'd)									
10HB/8706	10T4669	Connector, tact, nav's. J.B.7683 to T.B.'s 384, 610 and 611				1	—	B	
10HB/8707	11T4669	Connector, rout, nav's. J.B.7683 to T.B.'s 336, 608 and 609				1	—	B	
10HB/8708	12T4669	Connector, W/T ops. panel, plug 7 to J.B.7684				1	—	B	
10HB/8709	13T4669	Connector, rout, nav's. J.B.7682 to T.B.335				1	—	B	
10HB/8710	14T4669	Connector, tact, nav's. J.B.7682 to T.B.383				1	—	B	
10HB/8711	15T4669	Connector, W/O panel socket 8 to J.B.7684				1	—	B	
10HB/8712	16T4669	Connector, W/O J.B.7683 to T.B.'s 332, 615 and 616				1	—	B	
10HB/8713	17T4669	Connector, W/O J.B.7682 to C.U. ...				1	—	B	
10HB/8714	18T4669	Connector, W/O J.B.7683 to C.U. ...				1	—	B	
10HB/8716	20T4669	Connector, W/O J.B.7682 to T.B.331				1	—	B	
10HB/8717	21T4669	Connector, W/O to 1st pilot's J.B.7682				1	—	B	
10HB/8718	22T4669	Connector, W/O to 1st pilot's J.B.7683				1	—	B	
10HB/8719	23T4669	Connector, J.B. 7684 to T.B.'s 617, 618 & 619				1	—	B	
10HB/8722	26T4669	Connector, 1st to 2nd pilot's J.B.7682				1	—	B	
10HB/8723	27T4669	Connector, 1st to 2nd pilot's J.B.7683				1	—	B	
10HB/8724	28T4669	Connector, 1st pilot's J.B.7683 to C.U. ...				1	—	B	
10HB/8725	29T4669	Connector, 1st pilot's J.B.7682 to C.U. ...				1	—	B	
10HB/8726	30T4669	Connector, 2nd pilot's J.B.7683 to C.U. ...				1	—	B	
10HB/8727	31T4669	Connector, 2nd pilot's J.B.7682 to C.U. ...				1	—	B	
10HB/8728	32T4669	Connector, 1st pilot's J.B.7683 to T.B.'s 327, 627 and 102				1	—	B	
10HB/8729	33T4669	Connector, 1st pilot's J.B.7682 to T.B.328...				1	—	B	
10HB/8730	34T4669	Connector, 2nd pilot's J.B.7683 to T.B.'s 131, 329 and 628				1	—	B	
10HB/8731	35T4669	Connector, 2nd pilot's J.B.7682 to T.B.330...				1	—	B	
10HB/8737	41T4669	Connector, captain's J.B.7683 to T.B.'s 635, 636 and 638				1	—	B	
10HB/8740	44T4669	Connector, captain's J.B.7683 to C.U. ...				1	—	B	
10HB/8741	45T4669	Connector, captain's J.B.7682 to T.B.637				1	—	B	
10HB/8742	46T4669	Connector, captain's J.B.7682 to C.U. ...				1	—	B	
10HB/8744	48T4669	Connector, rad.ops. to ft.eng. J.B.7683				1	—	B	
10HB/8745	49T4669	Connector, rad.ops. J.B.7682 to ft.eng. J.B.7682				1	—	B	
10HB/8753	57T4669	Connector, J.B.7684 to amplifier at W/O station				1	—	B	
10HB/8755	59T4669	Connector, amplifier to W/O panel socket 6				1	—	B	
10HB/8756	60T4669	Connector, amplifier to W/O panel, socket 10				1	—	B	
10HB/8757	61T4669	Connector, J.B.7684 to T.B.'s 398, 399 & 400				1	—	B	
10HB/8758	62T4669	Connector, amplifier to T.B.'s 399, 400 & 426				1	—	B	
10HB/8759	63T4669	Connector, eng. J.B.7682 to C.U. ...				1	—	B	
10HB/8760	64T4669	Connector, eng. J.B.7683 to C.U. ...				1	—	B	
10HB/8761	65T4669	Connector, eng. J.B.7683 to T.B.'s 345, 665 and 666				1	—	B	
10HB/8762	66T4669	Connector, eng. J.B.7682 to T.B.346				1	—	B	
10HB/8763	67T4669	Connector, W/O's to engineer's J.B.7682...				1	—	B	
10HB/8764	68T4669	Connector, W/O's to engineer's J.B.7682...				1	—	B	
10L/16320	—	Control unit, at sono-buoy station ...				2	—	A	62/118
	—	Indicator, type X1928 at sono-buoy station				1	—		

RADIO AND RADAR INSTALLATION

Ref. No.	Part No.	Description				No. off	Matl. Spec.	Cl. of St. M.R.	Plate and Illust'n No.
		1	2	3	4				
		MOUNTING, CONTROL UNIT IN ASTRODOME (T3303)							
		Spares for :—							
5CZ/430	—					3	—	B	62/54
10H/2206	—					1	—	B	62/59
10L/209	—					1	—	A	62/60
		MOUNTING, JUNCTION BOXES AT WIRELESS OPERATOR'S STATION (1T4830)							
		Spares for :—							
	4T4830					1	—		
		BOX, JUNCTION, GROUP ...							
		Consisting of :—							
10D/19821	—					1	—	A	
5E/9100167	—					Q/R	—	C	
	3T4830					1	—		
		BOX, JUNCTION, GROUP ...							
		Consisting of :—							
10D/19820	—					1	—	A	
5E/9100167	—					Q/R	—	C	
	2T4830					1	—		
		PLATE, MOUNTING, GROUP ...							
		MOUNTING, JUNCTION BOXES AT FLIGHT ENGINEER'S STATION (5T4830)							
		Spares for :—							
5CZ/430	—					1	—	B	62/54
	7T4830					1	—		62/55
		BOX, JUNCTION, GROUP ...							
		Consisting of :—							
10D/19820	—					1	—	A	
5E/9100167	—					Q/R	—	C	
	8T4830					1	—		62/56
		BOX, JUNCTION, GROUP ...							
		Consisting of :—							
10D/19821	—					1	—	A	
5E/9100167	—					Q/R	—	C	
	6T4830					1	—		62/57
		PLATE, MOUNTING, GROUP ...							
		MOUNTING, AMPLIFIERS BETWEEN FORMERS 1 AND 2 (T4829)							
		Spares for :—							
10U/16596	—					2	—	A	
10H/0970055	—					2	—	C	
14313	4T4829					2	S94	C	
14314	2T4829					1	—	B	
14315	3T4829					2	T45	C	
		Stay, for shelf ...							
		PANEL, TERMINAL BLOCK AT FORMER 3 (T4534)							
		Spares for :—							
5CZ/430	—					6	—	B	
	2T4534					1	—		62/58
		PANEL, GROUP ...							
5CW/1722	—					2	—	A	
	1T4696					1	—		
		PANEL, TACTICAL NAVIGATOR'S CONTROL, GROUP							
		(See Instrument Panels)							
	1T4702					1	—		
		PANEL, BELOW NAVIGATOR'S TABLE, GROUP							
		(See Instrument panels)							
10L/16320	—					1	—	A	
		Unit, control, below signal stowage ...							

RADIO AND RADAR INSTALLATION

Ref. No.	Part No.	Description				No. off	Matl. Spec.	Cl. of St.	Plate and Illust'n No.
		1	2	3	4			M.R.	
		A.R.I. 18089 INSTALLATION IN FUSE-LAGE CENTRE PORTION (4T4870) (T4669)							
		Spares for :—							
	1018T3443	CABLE, FR.1018, T.B.639 TO SONO-BUOY P. TO T. SWITCH, GROUP				1	—		
	1029T3443	CABLE, FR.1029, T.B.638 TO T.B.640, GROUP				1	—		
	1030T3443	CABLE, FR.1030, T.B.640 TO T.B.641, GROUP				1	—		
	1039T3443	CABLE, FR.1039, CAPTAIN'S TO SONO-BUOY CALL LAMPS, GROUP				1	—		
	1040T3443	CABLE, FR.1040, SONO-BUOY, TO RAD.OPS, CALL LAMPS, GROUP				1	—		
	1055T3443	CABLE, FR.1055, RAD.OPS. P. TO T. SWITCH TO T.B.337, GROUP				1	—		
13095	5SS3315	Clip, cable				3	—	C	
13075	1SS3329	Clip, cable				5	—	C	
13569	26SS3264	Clip, cable				1	—	C	
10HB/8715	19T4669	Connector, J.B.7684 to T.R. unit				1	—	B	
10HB/8720	24T4669	Connector, J.B.7684 to T.B.604				1	—	B	
10HB/8732	36T4669	Connector, rad.ops. J.B.7682 to C.U.				1	—	B	
10HB/8733	37T4669	Connector, sono-buoy, J.B.7683 to T.B.'s 382, 639 & 640				1	—	B	
10HB/8734	38T4669	Connector, rad.ops. J.B.7683 to T.B.'s337, 339 and 641				1	—	B	
10HB/8735	39T4669	Connector, rad.ops. J.B.7683 to C.U.				1	—	B	
10HB/8736	40T4669	Connector, rad.ops. J.B.7682 to T.B.338				1	—	B	
10HB/8738	42T4669	Connector, sono-buoy, J.B.7683 to C.U.				1	—	B	
10HB/8739	43T4669	Connector, sono-buoy, J.B.7682 to T.B.381				1	—	B	
10HB/8743	47T4669	Connector, sono-buoy, J.B.7682 to C.U.				1	—	B	
10HB/8746	50T4669	Connector, rad.ops. to sono-buoy, J.B.7682				1	—	B	
10HB/8747	51T4669	Connector, rad.ops. to sono-buoy, J.B.7683				1	—	B	
10HB/8748	52T4669	Connector, sono-buoy, to captain's J.B.7683				1	—	B	
10HB/8749	53T4669	Connector, sono-buoy, to captain's J.B.7682				1	—	B	
		MOUNTING, SONO-BUOY JUNCTION BOXES BETWEEN FORMERS 8 & 9 (T4748)							
		Spares for :—							
	4T4748	BOX, JUNCTION, GROUP				1	—		
		Consisting of :—							
		Box, junction, type 7682				1	—	A	
		Wire, equipment				Q/R	—	C	
	5T4748	BOX, JUNCTION, GROUP				1	—		
		Spares for :—							
		Box, junction, type 7683				1	—	A	
		Wire, equipment				Q/R	—	C	
10D/319820 5E/9100167	—								
10D/19821 5E/9100167	—								

RADIO AND RADAR INSTALLATION

Ref. No.	Part No.	Description				No. off	Matl. Spec.	Cl. of St.	Plate and Illust'n No.
		1	2	3	4			M.R.	
		MOUNTING, A.S.V. JUNCTION BOXES BETWEEN FORMERS 7 & 8 (T4749)							
	4T4749	Spares for :— BOX, JUNCTION, GROUP ...				1	—		
	—	Consisting of :— Box, junction, type 7683 ...				1	—	A	
10D/19821 5E/9100167	—	Wire, equipment ...				Q/R	—	C	
	5T4749	BOX, JUNCTION, GROUP ...				1	—		
	—	Consisting of :— Box, junction, type 7682 ...				1	—	A	
10D/19820 5E/9100167	—	Wire, equipment ...				Q/R	—	C	
		MOUNTING, A.S.V. CONTROL UNIT (T4693)							
	2T4693	Spares for :— BRACKET, MOUNTING, GROUP				1	—		62/91
10L/16320	—	Unit, control ...				1	—	A	62/121
		A.R.I.18089 INSTALLATION IN REAR CENTRE PORTION (5T4870) (T4669) (T4491)							
		Spares for :—							
	—	Block, terminal ...				6	—	B	
5CZ/430 5CZ/431	—	Block, terminal ...				3	—	B	
	10T3443	CABLE, FR.10, T.B.315 TO GALLEY C.U., GROUP				1	—		
	11T3443	CABLE, FR.11, T.B.316 TO GALLEY C.U., GROUP				1	—		
	12T3443	CABLE, FR.12, T.B.317 TO GALLEY C.U., GROUP				1	—		
	13T3443	CABLE, FR.13, T.B.315 TO T.B.318, GROUP				1	—		
	14T3443	CABLE, FR.14, T.B.316 TO T.B.319, GROUP				1	—		
	15T3443	CABLE, FR.15, T.B.317 TO T.B.320, GROUP				1	—		
	16T3443	CABLE, FR.16, T.B.318, TO UPPER BUNK C.U., GROUP				1	—		
	17T3443	CABLE, FR.17, T.B.319 TO UPPER BUNK C.U., GROUP				1	—		
	18T3443	CABLE, FR.18, T.B.320 TO UPPER BUNK C.U., GROUP				1	—		
	19T3443	CABLE, FR.19, T.B.318 TO AFT LOWER BUNK C.U., GROUP				1	—		
	20T3443	CABLE, FR.20, T.B.319 TO AFT LOWER BUNK C.U., GROUP				1	—		
	21T3443	CABLE, FR.21, T.B.320 TO AFT LOWER BUNK C.U., GROUP				1	—		
	22T3443	CABLE, FR.22, T.B.318 TO FORWARD LOWER BUNK C.U., GROUP				1	—		

SHACKLETON Mk. 2

RADIO AND RADAR INSTALLATION

Page 739

Ref. No.	Part No.	Description				No. off	Matl. Spec.	Cl. of St. M.R.	Plate and Illust'n No.
		1	2	3	4				
		A.R.I.18089 INSTALLATION IN REAR CENTRE PORTION (5T4870) (T4669) (T4491) (Cont'd)							
	23T3443	CABLE, FR.23, T.B.319 TO FORWARD LOWER BUNK C.U., GROUP				1	—		
	24T3443	CABLE, FR.24, T.B.320 TO FORWARD LOWER BUNK C.U., GROUP ...				1	—		
	25T3443	CABLE, FR.25, T.B.318 TO T.B.321, GROUP				1	—		
	26T3443	CABLE, FR.26, T.B.319 TO T.B.322, GROUP				1	—		
	27T3443	CABLE, FR.27, T.B.320 TO T.B.323, GROUP				1	—		
	30T3443	CABLE, FR.30, T.B.323 TO STARBOARD BEAM OUTLOOK C.U., GROUP				1	—		
	51T3443	CABLE, FR.51, T.B.321 TO ELSAN, C.U., GROUP				1	—		
	52T3443	CABLE, FR.52, T.B.323 TO ELSAN, C.U., GROUP				1	—		
	53T3443	CABLE, FR.53, T.B.322 TO ELSAN, C.U., GROUP				1	—		
	372T3443	CABLE, FR.372, T.B.449 TO T.B.451, GROUP				1	—		
	373T3443	CABLE, FR.373, T.B.448 TO T.B.450, GROUP				1	—		
	374T3443	CABLE, FR.374, T.B.321 TO T.B.451, GROUP				1	—		
	375T3443	CABLE, FR.375, T.B.322 TO T.B.450, GROUP				1	—		
	252T3443	CABLE, FR.252, T.B.321 TO TAIL C.U., GROUP				1	—		
	253T3443	CABLE, FR.253, T.B.322 TO TAIL C.U., GROUP				1	—		
	254T3443	CABLE, FR.254, T.B.323 TO TAIL C.U., GROUP				1	—		
	1058T3443	CABLE, FR.1058, T.B.451 TO STARBOARD BEAM OUTLOOK C.U., GROUP				1	—		
	1059T3443	CABLE, FR.1059, T.B.450 TO STARBOARD BEAM OUTLOOK C.U., GROUP				1	—		
	1026T3443	CABLE, FR.1026, T.B.322 TO T.B.342, GROUP				1	—		

RADIO AND RADAR INSTALLATION

Ref. No.	Part No.	Description				No. off	Matl. Spec.	Cl. of	Plate and Illust'n No.
		1	2	3	4			St. M.R.	
		A.R.I.18089 INSTALLATION IN REAR CENTRE PORTION (5T4870) (T4669) (T4491) (Cont'd)							
	1046T3443	CABLE, FR.1046, T.B.321 TO T.B.343, GROUP				1	—		
	1048T3443	CABLE, FR.1048, AT No. 3 HEATER AND CONTROL PANEL, GROUP				1	—		
	1049T3443	CABLE, FR.1049, T.B.323 TO PORT BEAM OUTLOOK CALL CAMP, GROUP				1	—		
13070	1SS3315	Clip, cable				37	—	C	
13071	2SS3315	Clip, cable				5	—	C	
13641	1SS3315	Clip, cable				21	—	C	
13075	1SS3329	Clip, cable				35	—	C	
13900	2SS3329	Clip, cable				4	—	C	
13606	5SS3329	Clip, cable				7	—	C	
13076	8SS3329	Clip, cable				4	—	C	
10HA/16857	—	Connector, mic-tel				1	—	B	
10AR/2634	—	Fairlead				1	—	C	
		MOUNTING, CONTROL UNIT AT STARBOARD OBSERVER'S STATION (T2138)							
		Spares for :—							
2217	2T2138	BRACKET, GROUP				1	—	C	63/125
10H/2206	—	Socket, mic-tel				1	—	B	63/59
10L/209	—	Unit, control				1	—	A	63/60
		MOUNTING, TERMINAL BLOCKS 430 & 431 (T3667)							
		Spares for :—							
5CZ/430	—	Block, terminal				2	—	B	63/204
4703	2T3667	Bracket, mounting				1	L72	C	63/205
10HA/9326	—	Plug, external				1	—	B	
10AS/2229	—	Peg, stowage, at starboard observer's station				1	—	B	
		A.R.I. 18089 INSTALLATION IN REAR PORTION (6T4870) (T4669) (T4484) (T4485)							
		Spares for :—							
13070	1SS3315	Clip, cable				33	—	C	
10HA/16857	—	Connector, mic-tel, at port and rear observer's stations				2	—	C	
10AR/2634	—	Fairlead, for connector				2	—	C	
		MOUNTING, CONTROL UNIT AT ELSAN POSITION (T2140)							
		Spares for :—							
2222	2T2140	BRACKET, GROUP				1	—		63/143
10H/2206	—	Socket				1	—	B	63/59
10L/209	—	Unit, control				1	—	A	63/60
10AS/2229	—	Peg, stowage, at port and rear observer's stations				2	—	B	
10H/2206	—	Socket, type 359, at port and rear observer's stations				2	—	B	63/59
10L/209	—	Unit, control, rear observers				1	—	A	63/142

SHACKLETON Mk. 2

RADIO AND RADAR INSTALLATION

Ref. No.	Part No.	Description				No. off	Matl. Spec.	Cl. of St.	Plate and Illust'n No.
		1	2	3	4			M.R.	
		LORAN INSTALLATION (T.4561)							
		Spares for:—							
		AERIAL, FIXED, STARBOARD (17T3296)							
		(For breakdown see A.R.I.5874)							
	258T3443	CABLE, FR. 258, AERIAL, TO PLUG BOARD, GROUP				1	—		
	259T3443	CABLE, FR. 259, AERIAL, TO LOADING UNIT, GROUP				1	—		
10H/7850	—	Connector, indicator-receiver to loading unit				1	—	B	
110QB/71	—	Indicator, -receiver at former 4				1	—	A	62/52
110AB/474	—	Visor, for indicator-receiver				1	—	A	
10BB/6840	—	Unit, loading, at former 2 bulkhead ...				1	—	A	

RADIO AND RADAR INSTALLATION

Ref. No.	Part No.	Description				No. off	Matl. Spec.	Cl. of St.	Plate and Illust'n No.
		1	2	3	4			M.R.	
		INSTALLATION OF A.R.I. 23084 (T5377) (Mod. 988)							
		Spares for :—							
	2T5377	Connector , bearing and tuning indicator to T.B. 496				1	—		
	3T5377	Connector , bearing indicator to T.B. 496 ...				1	—		
	4T5377	Connector , T.B. 496 to A.D.F. receiver ...				1	—		
	5T5377	Connector , c/o switch to control unit ...				1	—		
	6T5377	Connector , c/o switch to A.D.F. receiver ...				1	—		
	7T5377	Connector , c/o switch to control unit ...				1	—		
	17T5377	Connector , A.D.F. receiver to T.B.,s 612 and 614				1	—		
	8T5377	Connector , A.D.F. receiver to T.B. 517 and A.C. supply				1	—		
	9T5377	Connector , A.D.F. receiver to condenser, T.B. 670 and socket at wireless operator's panel				1	—		
	10T5377	Connector , A.D.F. receiver to socket at plug break				1	—		
	16T5377	Connector , from socket at plug break to sense aerial				1	—		
	13T5377	Connector , A.D.F. receiver to Q.E. connector				1	—		
	14T5377	Connector , loop aerial to Q.E. connector				1	—		
10Q/16314	—	Indicator , bearing, aid tuning, type 1630 ...				1	—	A	
10Q/16739	—	Indicator , bearing, type M.19 ...				1	—	A	
		MOUNTING, SENSE AERIAL (1T5373)							
		Spares for :—							
		AERIAL, SENSE, TYPE 402/T8/90 ...				1	—	A	
		Spares for :—							
	F402-A8	Mast , lead in (Chelton Elect.)... ..				1	—		
	F402-B8	Mast , dead end (Chelton Elect.)				1	—		
	402-R120	Rod , aerial (Chelton Elect.)				1	—		
		MOUNTING, LOOP AERIAL (1T5290)							
		Spares for :—							
10B/19995	—	Aerial , loop, type M.6				1	—	A	
	2T5290	Adaptor , fibreglass				1	DTD5518 S2/225/E	C	
10D/23300	—	Corrector , Q.E. unit, type 4368... ..				1	—	A	
	3T5290	Seal , neoprene, $\frac{1}{32}$ " thick				1	BSS2752-C2	C	
	4T5290	Seal , neoprene, $\frac{1}{8}$ " thick				1	BSS2752-C2	C	
	5T5290	Washer , rubber, $\frac{1}{4}$ " thick				1	BSS2752-C2	C	
		MOUNTING, FLIGHT COMPUTER, WIRELESS OPERATOR'S SEAT POSITION (T5409) (Mod. 988)							
		Spares for :—							
6A/3122	—	Computer , flight				1	—	A	
6A/3395	—	Backplate				1	—	B	
6A/3124	—	Racking				1	—	B	

SHACKLETON Mk. 2

RADIO AND RADAR INSTALLATION

Ref. No.	Part No.	Description				No. off	Matl. Spec.	Cl. of St.	Plate and Illust'n No.
		1	2	3	4			M.R.	
		INSTALLATION OF A.R.I. 23084 (T5377) (Mod. 988) (Cont'd)							
	4T5373					2	AL, LAMM	C	
	6T5373					1	L83	C	
	7T5373					1	L72 or L83	C	
10D/23299	—					1	—	A	
	MARCONI LTD.					1	—	B	
10F/21092	—					1	—	B	
	2T5373					2	BSS2752-C2	C	
	3T5373					1	BSS2752-C2	C	
10L/16814	—					2	—	A	
	—					1	—	A	
		SARAH INSTALLATION (T4467)							
		Spares for :—							
	20T4838					2	—		
10HB/3032	—					1	—	B	
10HB/3033	—					1	—	B	
10HA/7886	—					1	—	B	
10HA/7891	—					1	—	B	
10HA/7885	—					1	—	B	
10HA/7890	—					1	—	B	
10HB/3269	—					1	—	B	
10HB/3270	—					1	—	B	
10HB/3271	—					1	—	B	
10HB/3273	—					1	—	B	
10HB/3276	—					1	—	B	
10HB/3275	—					1	—	B	
10HB/3272	—					1	—	B	
10HB/3274	—					1	—	B	
	1T4218					1	—		
		MOUNTING, AFT AERIAL, GROUP							
		Spares for :—							
10B/17670	—					1	—	A	63/141

RADIO AND RADAR INSTALLATION

Ref. No.	Part No.	Description				No. off	Matl. Spec.	Cl. of St.	Plate and Illust'n No.
		1	2	3	4			M.R.	
		V.H.F. INSTALLATION (T4672) (Mod. 771)							
		Spares for:—							
	494T3443	CABLE, FR494, RELAY TO FUSES ON NAV'S PANEL, GROUP				1	—		
	485T3443	CABLE, FR485, C.O. SWITCH ON CANOPY PANEL TO FUSE, GROUP				1	—		
	1007T3443	CABLE, FR100T, C.O. SWITCH TO RELAY AT NAV'S STATION, GROUP				1	—		
	1008T3443	CABLE, FR1008, T.B. 389 TO RELAY, GROUP				1	—		
	1009T3443	CABLE, FR1009, T.B. 388 TO RELAY, GROUP				1	—		
	1010T3443	CABLE, FR1010, T.B. 388 TO RELAY, GROUP				1	—		
	1005T3443	CABLE, FR1005, RELAY TO T.B. 626, GROUP				1	—		
	1004T3443	CABLE, FR1004, RELAY TO T.B. 626, GROUP				1	—		
	1052T3443	CABLE, FR1052, RELAY 52 TO RELAY 102, GROUP				1	—		
	1001T3443	CABLE, FR1001, T.B. 391 TO T.B. 626, GROUP				1	—		
	1002T3443	CABLE, FR1002, T.B. 391 TO RELAY, GROUP				1	—		
	1003T3443	CABLE, FR1003, T.B. 392 TO RELAY, GROUP				1	—		
	1011T3443	CABLE, FR1011, T.B. 387 TO RELAY, GROUP				1	—		
	1000T3443	CABLE, FR1000, T.B. 390 TO RELAY, GROUP				1	—		
	495T3443	CABLE, FR495, SUPPRESSOR TO T.B. 492, GROUP				1	—		
	496T3443	CABLE, FR496, T.B. 492 TO RELAY 52, GROUP				1	—		
	493T3443	CABLE, FR493, SUPPRESSOR TO T.B. 492, GROUP				1	—		
	497T3443	CABLE, FR497, T.B. 492 TO EARTH, GROUP				1	—		
13107	3SS3264	Clip, cable				26	—	C	
10HA/11434	—	Connector, control panel to T.R. No. 1 ...				1	—	B	
10HA/11433	—	Connector, control panel to T.R. No. 2 ...				1	—	B	
10HA/8699	—	Connector, suppressors to T.R's ...				2	—	B	
10HA/6390	—	Connector, No. 1 T.R. to T.B's 387, 388, 389				1	—	B	
10HB/8695	1T4672	Connector, No. 1 aerial to No. 1 T.R. ...				1	—	B	
10HA/8582	—	Connector, No. 2 T.R. to T.B's 390, 391 and 392				1	—	B	
10HB/8696	2T4672	Connector, No. 2 aerial to No. 2 T.R. ...				1	—	B	

SHACKLETON Mk. 2

RADIO AND RADAR INSTALLATION

Ref. No.	Part No.	Description				No. off	Matl. Spec.	Cl. of St.	Plate and Illust'n No.
		1	2	3	4			M.R.	
V.H.F. INSTALLATION (T4672) (Mod. 771) (Cont'd)									
MOUNTING, V.H.F. AERIAL (2T2127)									
Spares for:—									
10B/16621	—	Aerial, type 229				1	—	A	62/28
2205	—	BRACKET, AERIAL, GROUP ...				1	—	C	62/22
5X/2786	—	Grommet, No. 3				1	—	C	62/23
2700	7T1679	Guard, ice				1	S3	C	62/24
2707	5T2127	Plate, insulating				1	BSS 668	C	62/25
2208	4T2127	Washer, sealing				1	Rubber	C	62/27
MOUNTING, V.H.F. AERIAL (1T3559)									
Spares for:—									
10B/16574	—	Aerial, type 228				1	—	A	62/3
	3T3559	BRACKET, MOUNTING, GROUP				1	—		62/36
5X/2786	—	Grommet				1	—	C	
2209	5T2208	Plate, insulating				1	BSS 668	C	62/32
2210	6T2208	Shield, ice				1	—	C	62/33
10AS/84	—	Washer, sealing				1	—	C	62/34
MOUNTING, V.H.F. TRANSMITTER RECEIVERS (T3268)									
Spares for:—									
10AJ/52	—	Mounting, A.V.				2	—	A	62/76
5CY/1005	—	Suppressor, type H, No. 2				2	—	A	62/77
10A/17930	—	Washer, check				8	—	C	62/78
10F/1728	—	Relay, type 102, at navigator's station ...				1	—	A	62/87
10D/17693	—	Transmitter-receiver, T.R. 1934				1	—	A	62/87
10D/17694	—	Transmitter-receiver, T.R. 1935				1	—	A	62/88
10L/246	—	Unit, control, type 705, on hinged panel in canopy roof				2	—	A	39/65

RADIO AND RADAR INSTALLATION

Ref. No.	Part No.	Description				No. off	Matl. Spec.	Cl. of St.	Plate and Illust'n No.
		1	2	3	4			M.R.	
CLIPPING, CABLES, RADIO AND RADAR IN BOMB BAY, PORT AND STARBOARD (T4596)									
Spares for:—									
13137	12SS3315	Clip, cable "P" (for Sextomet and Quadra-				11	L72	C	
		met 4 cable)							
26EA/2641	13SS3329	Clip, cable "P" (for Sextomet 7 cable) ...				10	L72	C	
	15cSS4211	Clip, cable "P" 1, $\frac{3}{32}$ " dia.				4	PVC	C	
28E/14069	AS3181/7B	Clip, cable				11	—	C	
28E/15081	AS5418/15	Clip, cable				8	—	C	
28E/16216	AS418/20	Clip, cable				6	—	C	
28E/14634	AS5418/24	Clip, cable				2	—	C	
28E/15766	AS5418/26	Clip, cable				2	—	C	
28E/17215	AS5418/27	Clip, cable				1	—	C	
	2T4596	Fairlead, cable, forward of former 7, port				1	BSS668	C	
		Attachments, Fairlead 2T4596							
	3T4596	Stud				1	S11	C	
28M/10288	AGS2001/C1	Nut, stiff, 2 BA				1	—	C	
28W/9419402	SP13/C	Washer, 2 BA				1	—	C	
	4T4596	Fairlead, cable, forward of former 6, port				1	BSS668	C	
		Attachments, Fairlead 4T4596							
28D/12536	A25/13C	Bolt, hex. head, 2 BA				1	—	C	
28M/10288	AGS2001/C1	Nut, stiff, 2 BA				1	—	C	
28W/9419402	SP13/C	Washer, 2 BA				1	—	C	
	5T4596	Fairlead, cable, forward of former "B" to				3	BSS668	C	
		forward of former "D", port							
		Attachments, Fairlead 5T4596							
28D/9435710	A25/11C	Bolt, hex. head, 2 BA				1	—	C	
28M/10288	AGS2001/C1	Nut, stiff, 2 BA				1	—	C	
28W/9419402	SP13/C	Washer, 2 BA				1	—	C	
	8T1990	Fairlead, cable, between formers 16a and				2	BSS1137	C	
		17, port							
		Attachments, Fairlead 8T1990							
28D/12531	A25/3C	Bolt, hex. head, 2 BA				1	—	C	
28M/10288	AGS2001/C1	Nut, stiff, 2 BA				1	—	C	
28W/9419402	SP13/C	Washer, 2 BA				1	—	C	
	8T4596	Fairlead, cable, between formers 1 and 2,				2	BSS1137	C	
		port							
		Attachments, Fairlead 8T4596							
28D/12531	A25/3C	Bolt, hex. head, 2 BA				1	—	C	
28M/10288	AGS2001/C1	Nut, stiff, 2 BA				1	—	C	
28W/9419402	SP13/C	Washer, 2 BA				1	—	C	
14237	6T4596	Fairlead, cable, forward of former 15 to for-				9	BS2572	C	
		ward of former 16, and forward							
		of former 18 to aft of former 21							
		Attachments, Fairlead 6T4596							
	17T3440	Bolt, hex. head				1	—	C	
28M/13124	A27/CT	Nut, plain, 2 BA				1	—	C	
28M/10288	AGS2001/C1	Nut, stiff, 2 BA				1	—	C	
28W/9419402	SP13/C	Washer, 2 BA				1	—	C	

SHACKLETON Mk. 2

RADIO AND RADAR INSTALLATION

Page 746a

Ref. No.	Part No.	Description				No. off	Matl. Spec.	Cl. of St.	Plate and Illust'n No.
		1	2	3	4			M.R.	
CLIPPING, CABLE, RADIO AND RADAR IN BOMB BAY, PORT AND STARBOARD (T4596) (Cont'd)									
14269	7T4596	Fairlead, cable, aft of formers 10 and 11, and aft and forward of former 9				4	BS2572	C	
		Attachments, Fairlead 7T4596							
	10T3440	Stud				1	S96	C	
28M/13124	A27/CT	Nut, plain, 2 BA				1	—	C	
28M/10288	AGS2001/C1	Nut, stiff, 2 BA				1	—	C	
28W/9419402	SP13/C	Washer, 2 BA				1	—	C	
	9T4596	Fairlead, cable, forward of former 2 to aft of former "A", port				5	BS2572	C	
		Attachments, Fairlead 9T4596							
28D/1011022	A25/18C	Bolt, hex. head, 2 BA				1	—	C	
28M/10288	AGS2001/C1	Nut, stiff, 2 BA				1	—	C	
28W/9419402	SP13/C	Washer, 2 BA				1	—	C	
	10T4596	Fairlead, cable, aft of former 5, port				1	BS2572	C	
		Attachments, Fairlead 10T4596							
28D/1011022	A25/18C	Bolt, hex. head, 2 BA				1	—	C	
28M/10288	AGS2001/C1	Nut, stiff, 2 BA				1	—	C	
28W/9419402	SP13/C	Washer, 2 BA				1	—	C	
CLIPPING, CABLES AND CONNECTORS, RADIO AND RADAR, IN FRONT, CENTRE SECTION (T4557)									
Spares for :—									
13091	3T3495	Clamp, cable (fairlead)				10	DTD363A	C	
13107	2SS3264	Clip, cable, $\frac{3}{16}$ " dia., 20 swg.				2	L72	C	
13092	3SS3264	Clip, cable, $\frac{7}{16}$ " dia., 20 swg.				2	L72	C	
13108	4SS3264	Clip, cable, $\frac{1}{2}$ " dia., swg.				2	L72	C	
13112	9SS3264	Clip, cable, $\frac{3}{4}$ " dia., 20 swg.				1	L72	C	
13266	12SS3264	Clip, cable, 1" dia., 20 swg.				1	L72	C	
13083	18SS3264	Clip, cable, $1\frac{3}{8}$ " dia., 20 swg.				1	L72	C	
26EA/17307	20SS3264	Clip, cable, 1 $\frac{1}{2}$ " dia., 20 swg.				6	L72	C	
7548	22SS3264	Clip, cable, 1 $\frac{5}{8}$ " dia., 20 swg.				1	L72	C	
26EA/1150	25SS3264	Clip, cable, 1 $\frac{7}{8}$ " dia., 20 swg.				2	L72	C	
26EA/11002	2SS3315	Clip, cable "P" (for Dumet 19 cable), 22 swg.				1	L72	C	
	10SS3315	Clip, cable "P" (for Dumet and trimet cable), 22 swg.				1	L72	C	
26EA/2130	14SS3315	Clip, cable "P" (for Dumet 7 cable), 22 swg.				2	L72	C	
13938	19SS3315	Clip, cable "P" (for Unisheath cable), 22 swg.				4	L72	C	
13927	2SS3638	Clip, cable, $\frac{17}{32}$ " dia., 18 swg.				2	L4	C	
	3SS3638	Clip, cable, $\frac{19}{32}$ " dia., 18 swg.				1	L4	C	
26EA/2916	1SS3639	Clip, cable, $\frac{17}{32}$ " dia., 18 swg.				4	L4	C	
28E/9936947	AS3180/4B	Clip, cable, $\frac{1}{4}$ " dia.				1	—	C	
28E/14043	AS3180/10B	Clip, cable, $\frac{1}{4}$ " dia.				2	—	C	
28E/14045	AS3180/12B	Clip, cable, $\frac{1}{4}$ " dia.				1	—	C	
28E/14046	AS3180/13B	Clip, cable, $\frac{1}{4}$ " dia.				1	—	C	
28E/14207	AS5418/4	Clip, cable, $\frac{1}{4}$ " dia.				2	—	C	
28E/14241	AS5418/6	Clip, cable, $\frac{5}{16}$ " dia.				18	—	C	
28E/-	AGS1617/7	Clip, cable				1	—	C	

RADIO AND RADAR INSTALLATION

Ref. No.	Part No.	Description				No. off	Matl. Spec.	Cl. of St.	Plate and Illust'n No.
		1	2	3	4			M.R.	
		CLIPPING, CABLES, RADIO AND RADAR IN FUSELAGE NOSE, STARBOARD, AND BULKHEAD "E" T4597)							
		Spares for :—							
13266	2T4597	Clip, elliptical, 18 swg.	8	L72	C	
	18SS3264	Clip, $1\frac{3}{8}$ " dia., 18 swg....	2	L72	C	
	4SS3865	Clip, $1\frac{1}{2}$ " dia., 18 swg....	5	L72	C	
	10SS3865	Clip, $\cdot 875$ " dia., 18 swg.	10	L72	C	
28E/14041	AS3180/8B	Clip, $\frac{1}{2}$ " dia.	1	—	C	
28E/14242	AS54118/7	Clip, $\frac{7}{16}$ " dia.	5	—	C	
28E/9996125	AS5418/8	Clip, $\frac{1}{8}$ " dia.	1	—	C	
28E/14209	AS5418/10	Clip, $\frac{1}{8}$ " dia.	1	—	C	
28E/14211	AS5418/12	Clip, $\frac{1}{8}$ " dia.	3	—	C	
28E/15185	AS5418/14	Clip, $\frac{1}{8}$ " dia.	1	—	C	
28E/16582	AS5418/18	Clip, $1\frac{1}{8}$ " dia.	1	—	C	
28E/16216	AS5418/20	Clip, $1\frac{1}{8}$ " dia.	1	—	C	
28E/-	AGS1617/6	Clip	1	—	C	
	3T4597	Fairlead, at floor skin, between formers F and G	1	BS2572/F3	C	
		Attachments, Fairlead 3T4597				
28D/12948	AS1246/3B	Bolt, mush. head, 4 BA	2	—	C	
28W/9419465	SP13/B	Washer, 4 BA	2	—	C	
		CLIPPING, CABLES AND CONNECTORS AT NAVIGATOR'S TOP SHELF (T4875)							
		Spares for :—							
13134	1SS706	Clip, cable, $\frac{1}{8}$ " dia., 22 swg.	2	L4	C	
13620	6SS3264	Clip, cable, $\frac{1}{8}$ " dia., 20 swg.	1	L72	C	
13905	7SS3264	Clip, cable, $\frac{1}{8}$ " dia., 20 swg.	2	L72	C	
13569	26SS3264	Clip, cable, $1\frac{7}{8}$ " dia., 20 swg.	1	L72	C	
13899	28SS3264	Clip, cable, 2" dia., 20 swg.	2	L72	C	
	30SS3264	Clip, cable, $2\frac{1}{8}$ " dia., 20 swg.	1	L72	C	
13070	1SS3315	Clip, cable, "P" (for Dumet 4 cable), 22 swg.	2	L72	C	
13072	2SS3315	Clip, cable, "P" (for Dumet 19 cable), 22 swg.	1	L72	C	
14114	11SS3315	Clip, cable, "P" (for Dumet 3 and 4 cables), 22 swg.	1	L72	C	
26EA/1156	13SS3315	Clip, cable, "P" (for Dumet 19 cable), 22 swg.	3	L72	C	
13641	15SS3315	Clip, cable, "P" (for Unisheath 4 and Dumet 4 cables)	1	L72	C	
13938	19SS3315	Clip, cable, "P" (for Unisheath cable), 22 swg.	1	L72	C	
28E/-	AS1900/A	Clip, cable	6	—	C	
28E/14080	AS3181/7C	Clip, cable, $\frac{7}{16}$ " dia.	4	—	C	
28E/-	AS4525/7	Clip, cable	2	—	C	
28E/-	AS4525/10	Clip, cable	1	—	C	
28E/-	AS4525/12	Clip, cable	1	—	C	
28E/14241	AS5418/6	Clip, cable, $\frac{1}{8}$ " dia.	3	—	C	
28E/14242	AS5418/7	Clip, cable, $\frac{7}{16}$ " dia.	1	—	C	
28E/9996125	AS5418/8	Clip, cable, $\frac{1}{8}$ " dia.	1	—	C	
28E/14211	AS5418/12	Clip, cable, $\frac{1}{8}$ " dia.	1	—	C	
28E/15185	AS5418/14	Clip, cable, $\frac{7}{8}$ " dia.	2	—	C	
28E/15844	AS5418/22	Clip, cable, $1\frac{1}{8}$ " dia.	1	—	C	
28E/17215	AS5418/27	Clip, cable, $1\frac{1}{16}$ " dia.	1	—	C	
28E/17564	AS5418/31	Clip, cable, $1\frac{1}{16}$ " dia.	1	1	C	
28E/-	AGS1617/5	Clip, cable	1	—	C	
28E/-	AGS1617/6	Clip, cable	1	—	C	

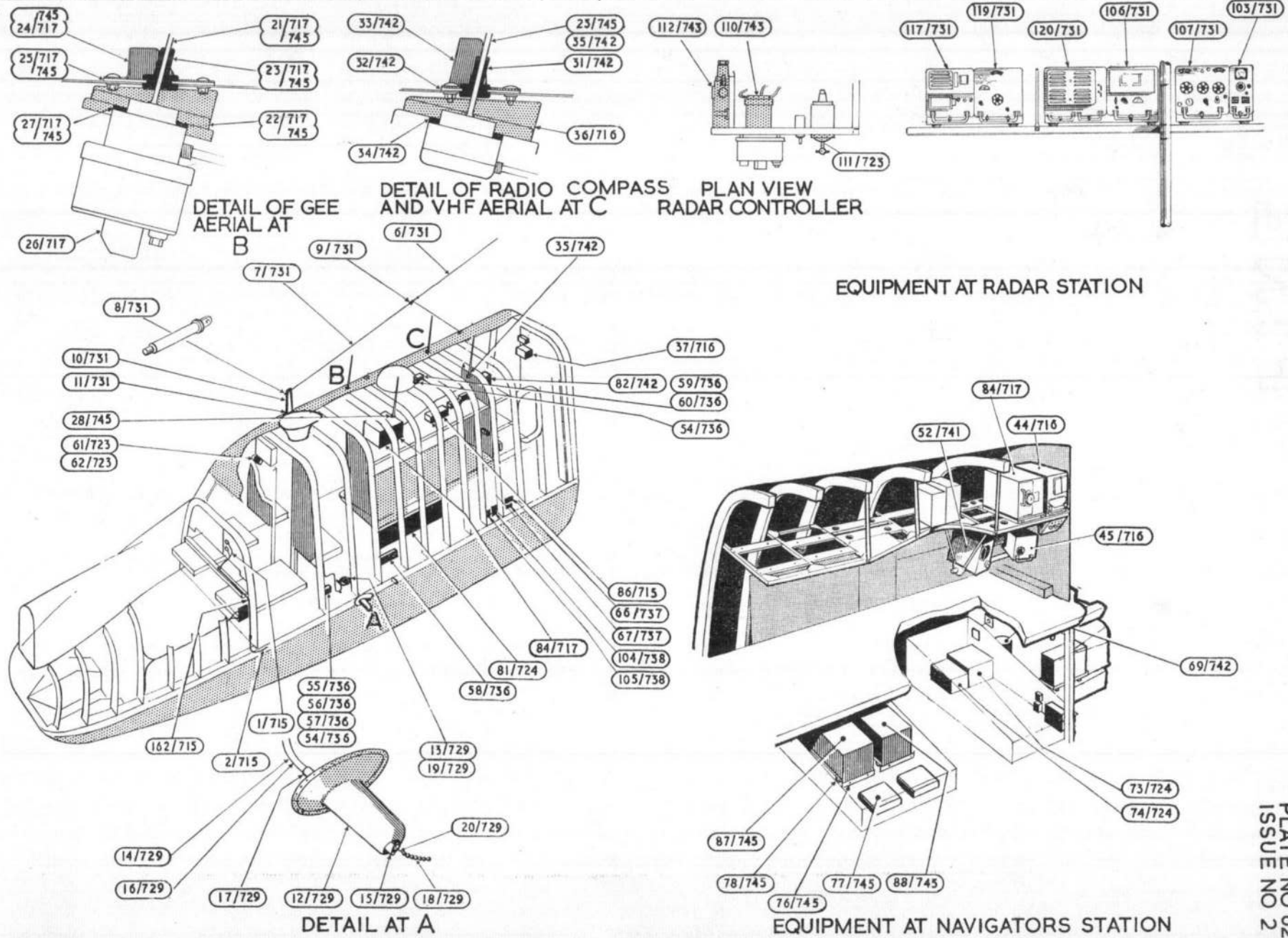
SHACKLETON Mk.

RADIO AND RADAR INSTALLATION

Page 746c

Ref. No.	Part No.	Description				No. off	Matl. Spec.	Cl. of St.	Plate and Illust'n No.
		1	2	3	4			M.R.	
CLIPPING, CABLES AND CONNECTORS IN CENTRE SECTION (T4558)									
Spares for :—									
13109	10SS3264					1	L72	C	
13924	14SS3264					1	L72	C	
13898	15SS3264					1	L72	C	
13266	18SS3264					1	L72	C	
13297	19SS3264					1	L72	C	
13461	21SS3264					1	L72	C	
13928	23SS3264					1	L72	C	
13569	26SS3264					1	L72	C	
	30SS3264					1	L72	C	
26DC/6234	31SS3264					2	L72	C	
	32SS3264					2	L72	C	
13073	8SS3315					1	L72	C	
13938	19SS3315					1	L72	C	
26EA/2641	13SS3329					10	L72	C	
13704	7SS3512					6	L72	C	
	5SS3638					4	L72	C	
	6SS3865					3	L72	C	
	10SS3865					1	L72	C	
26DC/4308	36SS4205					3	PVC	C	
26DC/4308	36SS4205					3	PVC	C	
28E/14240	AS5418/3					3	—	C	
28E/14207	AS5418/4					1	—	C	
28E/16077	AS5418/5					1	—	C	
28E/14242	AS5418/7					1	—	C	
28E/14210	AS5418/11					1	—	C	
28E/14211	AS5418/12					1	—	C	
28E/15185	AS5418/14					2	—	C	
28E/14212	AS5418/15					1	—	C	
28E/14213	AS5418/19					1	—	C	
28E/15766	AS5418/26					2	—	C	

RADIO AND RADAR INSTALLATION (I)



RESTRICTED

RESTRICTED

1958 10 10

UNITED STATES DEPARTMENT OF AGRICULTURE

WASHINGTON, D.C.

1958

DEPT. OF AGRICULTURE

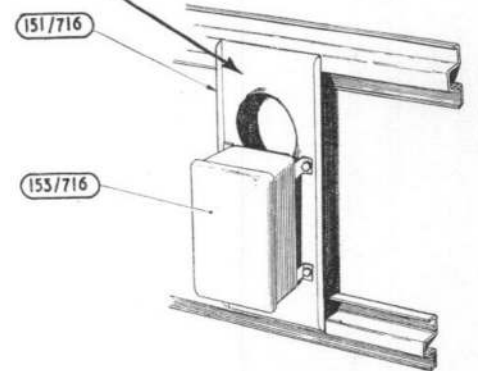
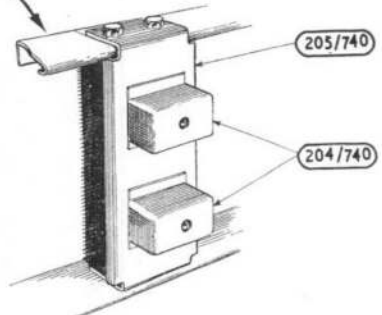
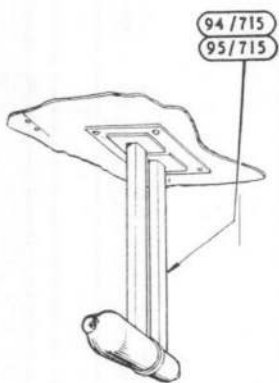
OFFICE OF THE SECRETARY

1958 10 10

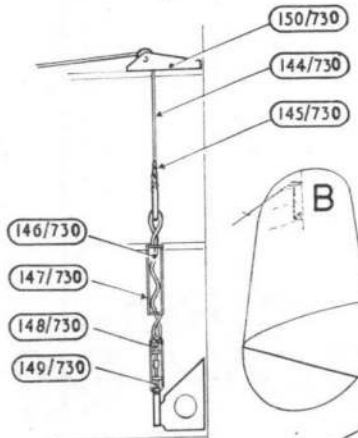


TERMINAL BLOCKS
430 AND 431 AT FORMERS 25

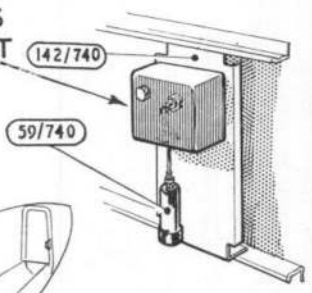
JUNCTION BOX AT
FORMER 22



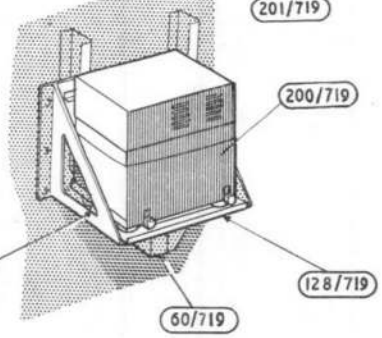
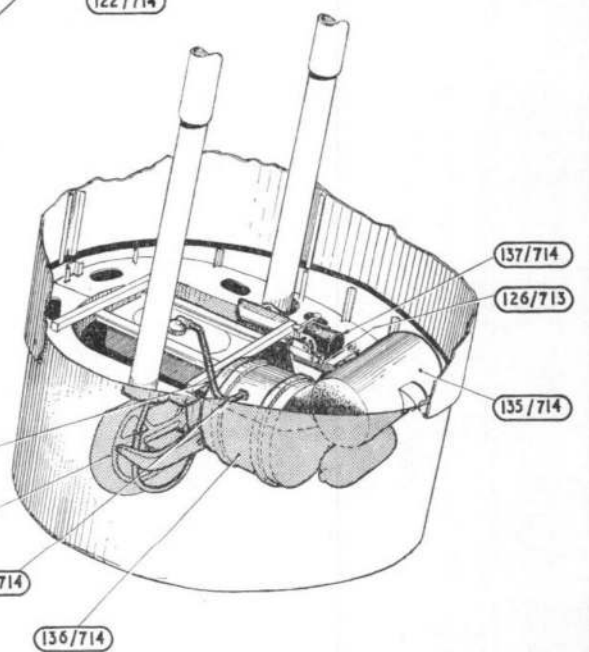
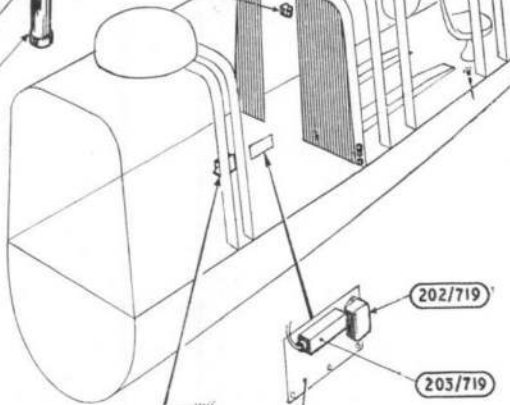
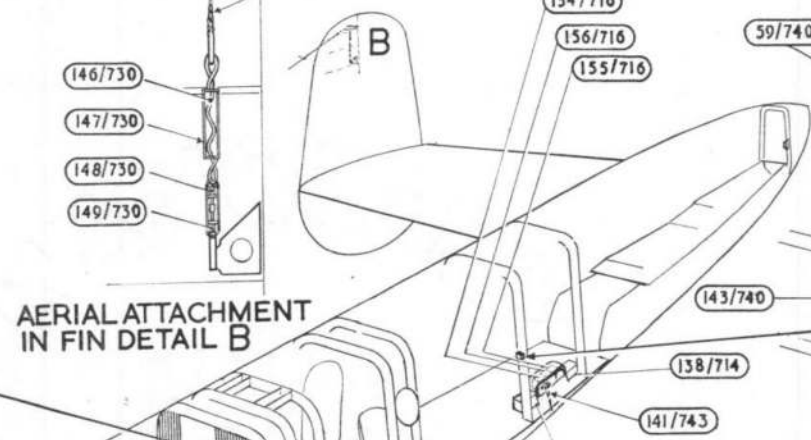
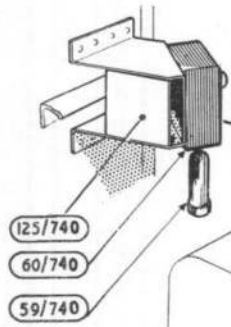
A.Y.F. AERIALS
IN MAINPLANE



STBD OBSERVERS
I.C. CONTROL UNIT



AERIAL ATTACHMENT
IN FIN DETAIL B



RADIO AND RADAR INSTALLATION (2)

CLASSIFIED
EXCEPT WHERE SHOWN
OTHERWISE

ALL INFORMATION CONTAINED
HEREIN IS UNCLASSIFIED

DATE 12/15/2001 BY 60322/UC/STP



FIG. 1

FIG. 2

FIG. 3

This file was downloaded
from the RTFM Library.

Link: www.scottbouch.com/rtfm

Please see site for usage terms,
and more aircraft documents.

