

CONTROLS,
PORT INSTALLED ENGINE ONLY AL.I.O.

AVON 109

A. L. 25

REF. No.	PART No.						DESCRIPTION	No. OFF	MATL. SPEC.	M.R. C.L. of ST.	PL. & ILL. No.
		1	2	3	4	5					
							CONTROLS - FORT INSTALLED ENGINE ONLY				
-	BA36626*						CONTROLS - ASSEMBLY (PRE MOD 5011)	1	-		
-	GP4860A						CONTROLS - ASSEMBLY (MOD 5011)	1	-		
36HH/11674	D47142						Ball, control joint,	-	NS	C	68/14
							Aircraft pick-up	2			
							Throttle and shut-off cock levers	2			
							Throttle and shut-off cock relay	2			
36VV/3820	BA36617						Bolt, 2 BA x 800" long,	-	NS	C	68/13
							Aircraft pick-up ball joints	2			
							Throttle and shut-off cock relay ball joints	2			
36VV/3822	BA36619						Bolt, 2 BA x .875" long, throttle and shut-off cock lever ball joints	2	NS	C	68/11
36VV/3866	BA38390						BRACKET AND RELAY LEVERS - ASSEMBLY	1	-	B	-
36VV/3867	BA36606						BRACKET, RELAY SPINDLE - ASSEMBLY	1	-	B	-
-	BA36607						Bracket	1	Alum	-	68/8
36VV/4628	BA36608						Bush	2	PB	-	68/7
36VV/3872	BA36614						Lever, relay, shut-off cock input	1	NS	C	68/3
36VV/3874	BA36615						Lever, relay, shut-off cock output	1	NS	C	68/15
36VV/3870	BA36616						Lever, throttle relay	1	NS	C	68/1
36VV/3869	BA38384						LUBRICATOR - ASSEMBLY	1	-	MC	68/5
-	BA39474						Ball	1			
-	BA38385						Nipple	1	Alum		
-	BA38386						Seating, spring	1	Alum		
-	BA38387						Spring	1	Sp Stl		
	or						(Pre-Mod 5447)		St Stl		
36VV/17756	BA47157* KJ4304						Nut, lock, 3 BA, shut-off cock input and output relay lever cotter pins	2	MS	C	1/3
56DD/202	KJ4006						Nut, plain, 2 BA, throttle relay lever cotter pin	1	MS	C	1/2

Continued

S.O.S.P. 104A

CONTROLS - PORT INSTALLED
ENGINE ONLY - CONTINUED

		Cont'd.			
17795	KL.7704	Pin, cotter, 3 B.A. x .950in. long, shut-off cock input and output relay levers	2	N.S.	C 1/23
17717	KL.7705	Pin, cotter, 2 B.A. x 1.100in. long, throttle relay lever	1	N.S.	C 1/23
3868	BA.36609	SLEEVE, RELAY SPINDLE - ASSEMBLY	1	-	A 68/2
4629	BA.36611	Bush, inner	2	P.B.	
-	BA.36610	Sleeve	1	N.S.	
3871	BA.38391	Spindle, relay	1	N.S.	C 68/4
17798	KJ.4446	Washer, plain, .350in. o/dia. x .170in. i/dia. x .028in. thick, shut-off cock input and output relay levers cotter pin nuts	2	M.S.	C 1/5
56DD/204	KJ.4404	Washer, plain, .450in. o/dia. x .200in. i/dia. x .048in. thick, throttle relay lever cotter pin nut	1	M.S.	C 1/5
17767	KJ.4505	Washer, spring, Grover, .300in. o/dia. x .170in. i/dia. x .065in. thick, shut-off cock input and output relay levers cotter pin nuts	2	Spg.Stl.	C 1/7
56DD/1386	KJ.4506	Washer, spring, Grover, .343in. o/dia. x .197in. i/dia. x .070in. thick, throttle relay lever cotter pin nut	1	Spg.Stl.	C 1/7
3873	BA.38553	Washer, tab, .317in. i/dia. x .032in. thick, lubricator	1	St.Stl.	C 68/6
3821	BA.36618	Housing, balls control joints, Aircraft pick-up	-	N.S.	C 68/16
		Throttle and shut-off cock levers	2		
		Throttle and shut-off cock relay	2		

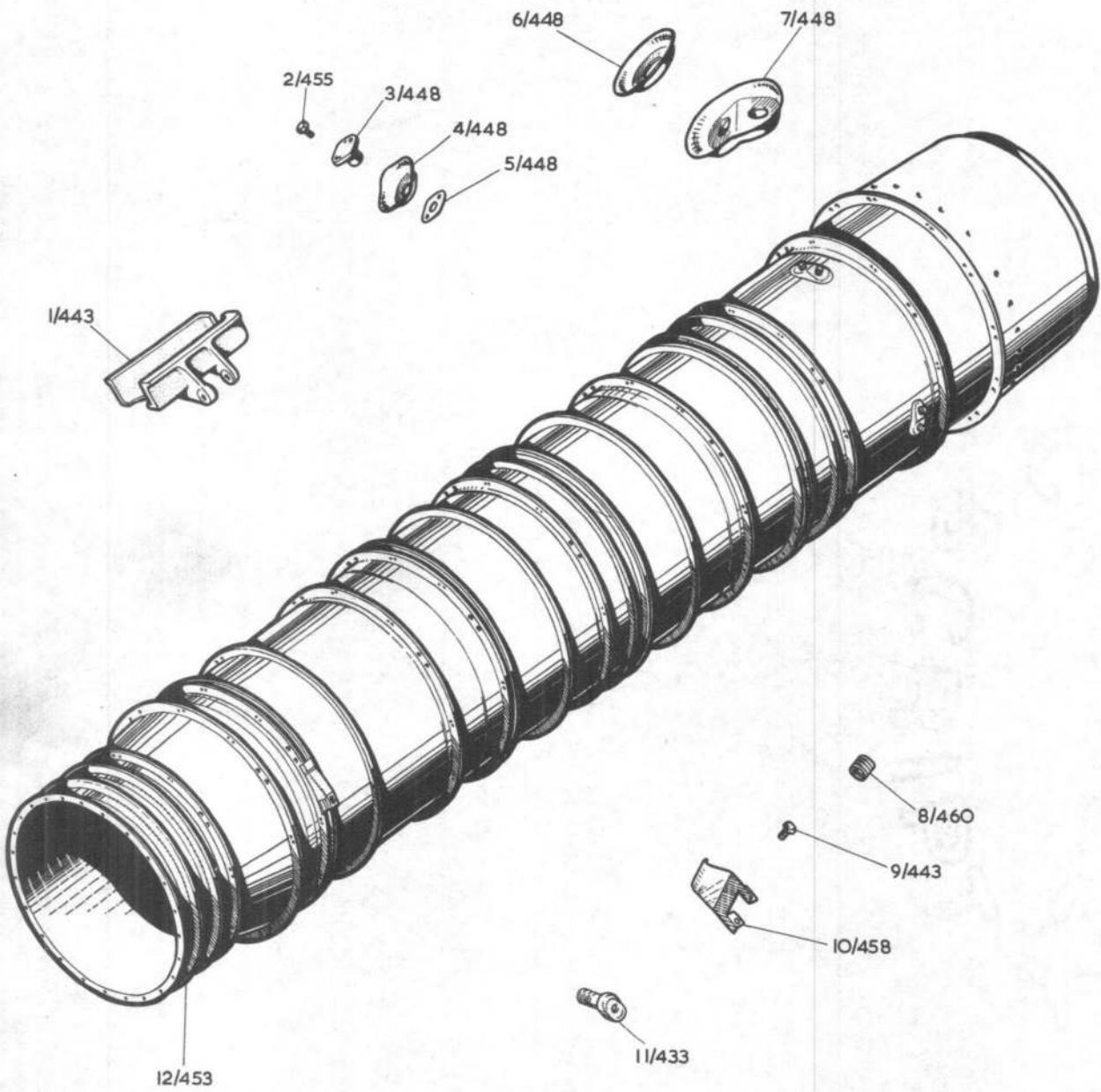
A, L, 25

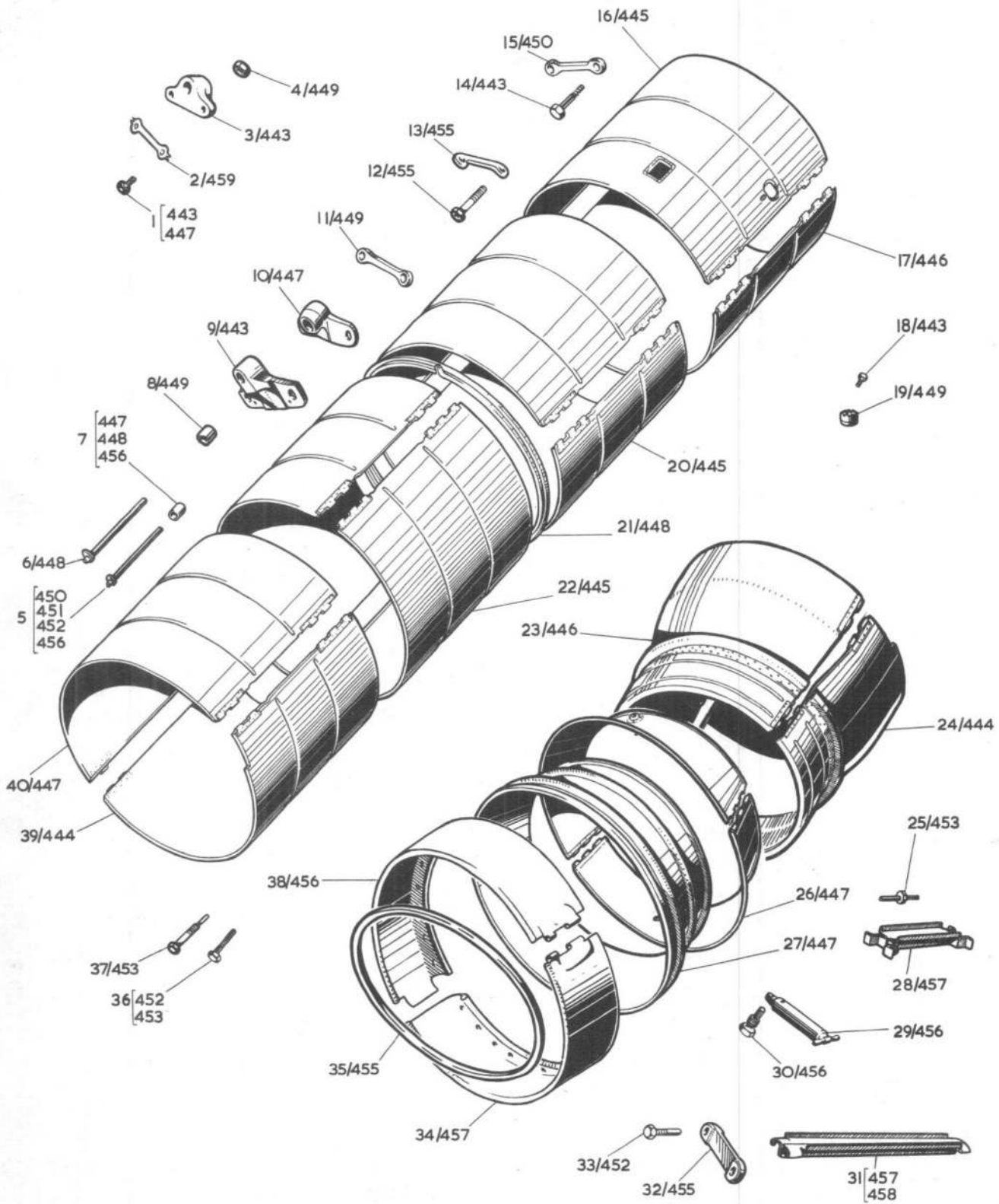
REF. No.	PART No.						DESCRIPTION	No. OFF	MATL. SPEC.	M.R. C.L. of ST.	PL. & ILL. N.
		1	2	3	4	5					
							CONTROLS - PORT INSTALLED ENGINE ONLY - CONTINUED				
36VV/17662	KB3631					Nut, castellated, 2 BA control joints balls securing Aircraft pick-up Throttle and shut-off cock levers Throttle and shut-off cock relay	- 2 2 2	MS	C	1/1	
36JJ/2123	KJ4310					Nut, lock, .250" relay control tubes Shut-off cock Throttle	- 2 2	MS	C	1/3	
-	-					Pin, split, .062" x .500" long control joints balls nuts (Pre-Mod 5440) (Mod 5440) Aircraft pick-up Throttle and shut-off cock levers Throttle and shut-off cock relay	- 2 2 2	St Stl	C	1/16	
28P/12587 28P/102110	KB6851* SP90/C3										
36VV/17745	KM209					Screw, .250" x 1.200" long, relay spindle bracket to compressor casing	4	NS	C	1/22	
36VV/3875	BA36621*					TUBE, CONTROL, SHUT-OFF COCK RELAY ASSEMBLY (PRE MOD 5011)	1	-	B	-	
36VV/21726	GP2613A					TUBE, CONTROL, SHUT-OFF COCK RELAY ASSEMBLY (MOD 5011)	1	-	B	68/12	
-	GP2612					Adaptor	2	NS			
36VV/17853	KB3856					Pin, taper, adapter retaining	4	St Stl	C	-	
-	GP2614					Tube	1	MS			
36VV/3876	BA36623*					TUBE, CONTROL, THROTTLE RELAY - ASSEMBLY (PRE MOD 5011)	1	-	B	-	
36VV/21727	GP2615A					TUBE, CONTROL, THROTTLE RELAY - ASSEMBLY (MOD 5011)	1	-	B	68/9	
-	GP2612					Adaptor	2	NS			
36VV/17853	KB3856					Pin, taper, adapter retaining	4	St Stl	C	-	
-	GP2616					Tube	1	MS			
56DD/204	KJ4404					Washer, plain, .450" o/dia x .200" i/dia x .048" thick control joints balls nuts Aircraft pick-up Throttle and shut-off cock relay	- 2 2	MS	C	1/5	

S.O.S.P. 104A

REF. No.	PART No.						DESCRIPTION	No. OFF	MATL. SPEC.	M.R. CL of ST.	PL. & ILL. No.
		1	2	3	4	5					
							<u>CONTROLS - PORT INSTALLED</u> <u>ENGINE ONLY - CONTINUED</u>				
36JJ/2307	KJ.8806						Washer, plain, .525" o/dia. x .260" i/dia. x .018" thick, relay spindle bracket to compressor casing securing screws	4	M.S.	C	1/5
36JJ/2129	KJ.4508						Washer, spring, Grover, .440" o/dia. x .275" i/dia. x .100" thick, relay spindle bracket to compressor casing securing screws	4	Spg.Stl.	C	1/7
3823	BA.36620						Washer, stop, .750" o/dia. x .1875" i/dia. x .125" thick, throttle and shut-off cock levers control joints	2	N.S.	C	68/10

S.O.S.P.104





REF. No.	PART No.						DESCRIPTION	No. OFF	MATL. SPEC.	M.R. CL of ST	PL. & ILL. No
		1	2	3	4	5					
						<u>JET PIPE</u>					
1827	BA.33792					PIPE, JET, COMPLETE WITH INSTALLATION FITTINGS - ASSEMBLY	1	-	A		
1408	BA.18864					Bolt, 2 B.A. x .325" long, No.2 insulation casing rear support brackets retaining	- 4	N.S.	M/C	70/1	
						No.3 insulation casing front support brackets retaining	4				
						No.4 insulation casing rear support brackets retaining	4				
						Rear insulation casing front support brackets retaining	4				
1404	RJ.8686					Bolt, 2 B.A. x .350" long, Front insulation casing front support brackets retaining	- 8	N.S.	M/C	70/1	
						Rear insulation casing front intermediate support brackets retaining	4				
903	BA.10616					Bolt, 2 B.A. x .400" long, slinging channel retaining	1	St.Stl.	M/C	70/18	
1417	BA.18865					Bolt, 2 B.A. x .950" long, rear insulation casing rear support brackets retaining	4	N.S.	M/C	70/14	
887	BA.21627					Bolt, .250" x .350" long, 'Alfol' foil traps retaining	8	N.S.	M/C	69/9	
884	BA.1252					Bolt, .250" x .546" long, jet pipe support brackets retaining	8	N.S.	M/C	69/9	
1419	BA.22591					Bolt, .250" x .600" long, jet pipe retaining	28	St.Stl.	C	69/11	
1403	BA.18467					Bracket, supporting, front insulation casing, front	4	M.S.	M/C	70/3	
1397	BA.20611					Bracket, supporting, front insulation casing, rear	2	M.S.	M/C	70/3	
883	BA.21624					Bracket, supporting, jet pipe	2	Al.B.	M/C	69/1	
1399	BA.21056					Bracket, supporting, No.2 insulation casing	- 6	M.S.	M/C	70/9	
						No.3 insulation casing, Front	- 2				
						Intermediate	4				
						No.4 insulation casing Intermediate	- 4				
						Rear	4				
						Rear insulation casing	2				
1410	BA.21622					Bracket, supporting, No.3 insulation casing, rear	- 2	M.S.	M/C	70/9	
						No.4 insulation casing, front	2				

S.O.S.P.104

REF. No.	PART No.						DESCRIPTION	No. OFF	MATL. SPEC.	M.R. CL. of ST.	PL. & ILL. No
		1	2	3	4	5					
<u>JET PIPE - CONTINUED</u>											
1922	BA.31717						CASING, INSULATION, BOTTOM, FRONT - ASSEMBLY	1	-	M/A	70/24
-	BA.14301						Casing	1	Dural		
-	BA.10388						Wire, beading	2	Dural		
-	BA.10389						Wire, beading	1	Dural		
-	BA.25281						Wire, beading	2	Dural		
-	BA.24772						Hinge insulation casing	2	St.Stl.		
-	BA.30456						Hinge, insulation casing	1	St.Stl.		
-	BA.30457						Hinge, insulation casing	1	St.Stl.		
-	BA.565						Rivet	106	Alum		
-	BA.17937						PIECE, STIFFENING - ASSEMBLY (ALTERNATIVE TO ASSEMBLY BA.32168)	1	-		
-	BA.17936						Piece, stiffening	1	St.Stl.		
-	BA.24774						Piece, stiffening	1	St.Stl.		
-	BA.24791						Piece, stiffening	1	St.Stl.		
-	BA.32168						PIECE, STIFFENING - ASSEMBLY (ALTERNATIVE TO ASSEMBLY BA.17937)	1	-		
-	BA.14294						Piece, stiffening	1	St.Stl.		
-	BA.17936						Piece, stiffening	1	St.Stl.		
-	BA.24773						Stiffener, hinges	2	St.Stl.		
-	BA.25780)						Stiffener, hinges	2	St.Stl.		
-	or)										
-	BA.31724)										
1924	BA.31719						CASING, INSULATION, BOTTOM, NO.2 - ASSEMBLY	1	-	M/A	70/39
-	BA.10319						Casing	1	Dural		
-	BA.10388						Wire, beading	2	Dural		
-	BA.10389						Wire, beading	1	Dural		
-	BA.10391						Wire, beading	1	Dural		
-	BA.25282						Wire, beading	2	Dural		
-	BA.24772						Hinge, insulation casing	2	St.Stl.		
-	BA.30418						Hinge, insulation casing	1	St.Stl.		
-	BA.30419						Hinge, insulation casing	1	St.Stl.		
-	BA.565						Rivet	52	Alum		
-	BA.24773						Stiffener, hinges	2	St.Stl.		
-	BA.30420						Stiffener, hinges	2	St.Stl.		

S.O.S.P.104

REF. No.	PART No.						DESCRIPTION	No. OFF	MATL. SPEC.	M.R. CL of ST.	PL. & ILL. No.
		1	2	3	4	5					
<u>JET PIPE - CONTINUED</u>											
1929	BA.38875						CASING, INSULATION, L.H., REAR - ASSEMBLY	1	-	M/A	70/16
-	BA.31073						Casing	1	Dural		
-	BA.10391						Wire, beading	2	Dural		
-	BA.25285						Wire, beading	2	Dural		
-	BA.30418						Hinge, insulation casing	1	St.Stl.		
-	BA.30419						Hinge, insulation casing	1	St.Stl.		
-	BA.30460						Hinge, insulation casing	1	St.Stl.		
-	BA.30461						Hinge, insulation casing	1	St.Stl.		
-	BK.3352						Lug, locking wire	2	St.Stl.		
-	BK.12390						Plate, stiffening, lugs	2	St.Stl.		
-	BA.565						Rivet;	-	Alum		
							Hinges securing	70			
							Lugs securing (Mod,1062)	4			
-	KB.2407						Rivet, stiffening strip securing	16	Alum		
-	BA.30420						Stiffener, hinges	2	St.Stl.		
-	BA.30462						Stiffener, hinges	2	St.Stl.		
-	BA.10267						Strip, stiffening	1	Alclad		
1925	BA.31720						CASING, INSULATION, NO.3 - ASSEMBLY	2	-	M/A	70/22
-	BA.10320						Casing	2	Dural		
-	BA.10391						Wire, beading	4	Dural		
-	BA.25283						Wire, beading	4	Dural		
-	BA.30418						Hinge, insulation casings	4	St.Stl.		
-	BA.30419						Hinge, insulation casings	4	St.Stl.		
-	BA.565						Rivet	128	Alum		
-	BA.30420						Stiffener, hinges	8	St.Stl.		
1926	BA.31721						CASING, INSULATION, NO.4 - ASSEMBLY	2	-	M/A	70/20
-	BA.10321						Casing	2	Dural		
-	BA.10391						Wire, beading	4	Dural		
-	BA.25284						Wire, beading	4	Dural		
-	BA.30418						Hinge, insulation casings	4	St.Stl.		
-	BA.30419						Hinge, insulation casings	4	St.Stl.		
-	BA.565						Rivet	128	Alum		
-	BA.30420						Stiffener, hinges	8	St.Stl.		

REF. No.	PART No.						DESCRIPTION	No. OFF	MATL. SPEC.	M.R. CL of ST.	PL. & ILL. No
		1	2	3	4	5					
<u>JET PIPE - CONTINUED</u>											
1930	BA.38876						CASING, INSULATION, R.H., REAR - ASSEMBLY	1	-	M/A	70/17
-	BA.31072						Casing	1	Dural		
-	BA.10391						Wire, beading	2	Dural		
-	BA.25285						Wire, beading	2	Dural		
-	BA.30418						Hinge, insulation casing	1	St.Stl.		
-	BA.30419						Hinge, insulation casing	1	St.Stl.		
-	BA.30460						Hinge, insulation casing	1	St.Stl.		
-	BA.30461						Hinge, insulation casing	1	St.Stl.		
-	BK.3352						Lug, locking wire	4	St.Stl.		
-	BK.12390						Plate, stiffening, lugs	4	St.Stl.		
-	BA.565						Rivet,	-	Alum		
							Hinges securing	70			
							Lugs securing (Mod.1062)	8			
-	KB.2407						Rivet, stiffening, strip securing	16	Alum		
-	BA.30420						Stiffener, hinges	2	St.Stl.		
-	BA.30462						Stiffener, hinges	2	St.Stl.		
-	BA.10267						Strip, stiffening	1	Alclad		
1921	BA.31716						CASING, INSULATION, TOP, FRONT ASSEMBLY	1	-	M/A	70/23
-	BA.14300						Casing	1	Dural		
-	BA.10391						Wire, beading	1	Dural		
-	BA.25281						Wire, beading	2	Dural		
-	BA.11469						Hinge, insulation casing	1	St.Stl.		
-	BA.11471						Hinge, insulation casing	1	St.Stl.		
-	BA.30456						Hinge, insulation casing	1	St.Stl.		
-	BA.30457						Hinge, insulation casing	1	St.Stl.		
-	BA.565						Rivet	108	Alum		
-	BA.17937						PIECE, STIFFENING - ASSEMBLY (ALTERNATIVE TO ASSEMBLY BA.32168)	1	-		
-	BA.17936						Piece, stiffening	1	St.Stl.		
-	BA.24774						Piece, stiffening	1	St.Stl.		
-	BA.24791						Piece, stiffening	1	St.Stl.		
-	BA.32168						PIECE, STIFFENING - ASSEMBLY (ALTERNATIVE TO ASSEMBLY BA.17937)	1	-		
-	BA.14294						Piece, stiffening	1	St.Stl.		
-	BA.17936						Piece, stiffening	1	St.Stl.		
-	BA.11531						Stiffener, hinges	2	St.Stl.		
-	BA.25780)						Stiffener, hinges	2	St.Stl.		
-	or)										
-	BA.31724)										

S.O.S.P.104

REF. No.	PART No.						DESCRIPTION	No. OFF	MATL. SPEC.	M.R. CL of ST.	PL. & ILL. No
		1	2	3	4	5					
<u>JET PIPE - CONTINUED</u>											
1923	BA.31718						CASING, INSULATION, TOP, NO.2 - ASSEMBLY	1	-	M/A	70/40
-	BA.10318						Casing	1	Dural		
-	BA.10391						Wire, beading	2	Dural		
-	BA.25282						Wire, beading	2	Dural		
-	BA.11469						Hinge, insulation casing	1	St.Stl.		
-	BA.11471						Hinge, insulation casing	1	St.Stl.		
-	BA.30418						Hinge, insulation casing	1	St.Stl.		
-	BA.30419						Hinge, insulation casing	1	St.Stl.		
-	BA.565						Rivet	54	Alum		
-	BA.11531						Stiffener, hinges	2	St.Stl.		
-	BA.30420						Stiffener, hinges	2	St.Stl.		
3783	BA.40966						CASINGS, TRANSITION, ELLIPTICAL - ASSEMBLY	1	-	A	
2281	BA.12625						Bolt, 3 B.A. x .225" long, insulation casings support brackets retaining	8	St.Stl.	M/C	70/1
2280	BA.17215						Bracket, supporting, insulation casings	4	M.S.	M/C	70/10
4061	BA.34995						CASING, TRANSITION, ELLIPTICAL INNER - ASSEMBLY	1	-	M/A	70/27
-	BA.17211						Casing	1	St.Stl.		
-	BA.34994)						Flange, front	1	St.Stl.		
-	or)										
-	BA.49225)										
-	BA.22582)						Flange, rear	1	St.Stl.		
-	or)										
-	BA.49226)										
-	BA.17080						Plate, saddle	4	St.Stl.		
-	BA.17212						Ring, stiffening, front	2	St.Stl.		
-	BA.17313						Ring, stiffening, rear	2	St.Stl.		
-	BA.1229						SOLEPLATE - ASSEMBLY	2	-		
-	BA.1231						Pin, support, casing locating	2	St.Stl.		
-	BA.1230						Soleplate	2	St.Stl.		
888	BA.17216						CASING, TRANSITION, ELLIPTICAL, INSULATION - ASSEMBLY	2	-	M/A	70/26
-	BA.17217						Casing	2	Alum		
-	BA.17220						Wire, beading	2	Dural		
-	BA.17221						Wire, beading	2	Dural		
-	BA.29010						Hinge, insulation casings	2	St.Stl.		
-	BA.29011						Hinge, insulation casings	2	St.Stl.		
-	BA.565						Rivet	56	Alum		
-	BA.1217						Socket	2	St.Stl.		
890	BA.1221						Collar, insulation casings hinge pins	2	St.Stl.	M/C	70/7
Cont'd.											

RESTRICTED

A.L.24

REF. No.	PART No.						DESCRIPTION	No. OFF	MATL. SPEC.	M.R. C.L. of ST.	PL. & ILL. No.
		1	2	3	4	5					
						JET PIPE - CONTINUED					
36VV/18032	-					Foil, 'Alfol', .007mm thick, insulation (Mod 793)	AR				
36VV/18033	-					Foil 'Alfol', .015mm thick, insulation (Mod 793)	AR				
36VV/17756	KJ4304					Nut, lock, 3 BA insulation casings support brackets	8	MS	MC	1/3	
36VV/889	BA17222					PIN, HINGE INSULATION CASINGS - ASSEMBLY (ALTERNATIVE TO ASSEMBLY BA46618)	2	-	MA	70/6	
-	BA1220					Collar	2	St St1			
-	BA17223					Pin, hinge	2	St St1			
36VV/889	BA46618					PIN, HINGE, INSULATION CASING - ASSEMBLY (ALTERNATIVE TO ASSEMBLY BA17222)	2	-	MC	70/6	
-	BA46624					Collar	2	St St1			
-	BA46619					Pin, hinge	2	St St1			
-	-					Pin, split, .062" x .625" long insulation casings hinge pins collars (Pre-Mod 5440)	2	St St1	C	1/16	
28P/12349	KB6852*					(Mod 5440)					
28P/9710567	SP90/C4					Wire, coil, 'Nichrome' .250" dia x 5 TPI wrapped with 'Alfol' foil, .750" wide x .015mm thick, insulation (Mod 793)	AR				
36VV/902	BA21662					CHANNEL, SLINGING - ASSEMBLY	1	-	MC	70/21	
-	BA10270					Bracket	2	St St1			
-	BA21619					Channel	1	St St1			
36VV/890	BA1221					Collar, insulation casings hinge pins	18	St St1	MC	70/7	
36JJ/2389	BT4520					Cup, sealing, pitot connection	1	Alum	MC	69/4	
36JJ/2387	BT2644					Cup, sealing, pressure measurement adaptor	1	Alum	MC	69/6	
36JJ/2388	BT2645					Cup, sealing, thermocouple connection	1	Alum	MC	69/6	
36VV/885	BA12037					Cup, sealing, thermocouple connection	4	Alum	MC	69/7	
36VV/18000	BK3346					Flange, blanking, pitot connection	1	St St1	MC	69/3	
36VV/18032	-					Foil, 'Alfol' .007mm thick, insulation	AR				
36VV/18033	-					Foil 'Alfol' .015 mm thick, insulation	AR				
36JJ/3107	BK3345					Jointing, pitot connection blanking flange	1	Copper	MC	69/5	

RESTRICTED

S.O.S.P. 104A

REF. No.	PART No.						DESCRIPTION	No. OFF	MATL. SPEC.	M.C. CL. #	PL. & I.L. No.
		1	2	3	4	5					
<u>JET PIPE - CONTINUED</u>											
904	BK.5790						Nut, castellated, 2 B.A., slinging channel	1	St.Stl.	M/C	70/19
493	BK.5172*						Nut, lock, 2 B.A. (Pre-Mod.5313)	-	St.Stl.	M/C	
19095	KB.18354						Nut, lock, (Mod.5313)	-	St.Stl.	M/C	70/4
							Front insulation casing front support brackets	8			
							No.2. insulation casing intermediate support brackets retaining pins	4			
							No.2. insulation casing rear support brackets	4			
							No.3. insulation casing front support brackets	4			
							No.3. insulation casing intermediate support brackets retaining pins	8			
							No.4. insulation casing intermediate support brackets retaining pins	8			
							No.4. insulation casing rear support brackets	4			
							Rear insulation casing front intermediate support brackets	4			
							Rear insulation casing front support brackets	4			
							Rear insulation casing longitudinal stiffeners retaining pins	4			
							Rear insulation casing rear intermediate support brackets retaining pins	4			
							Rear insulation casing rear support brackets	4			
188	RJ.7548*						Nut, lock, .250" (Pre-Mod.5313)	-	St.Stl.	M/C	
15019	KB.18307						Nut, lock, (Mod.5313)	-	St.Stl.	M/C	70/4
							'Alfol' foil traps	8			
							Jet pipe	28			
							Jet pipe supporting brackets	8			
897	BA.11671						Piece, distance, No.2 insulation casing front hinge pins	2	St.Stl.	M/C	70/8
1400	BA 18860						Piece, distance, No.2 insulation casing front support brackets retaining pins	2	St.Stl.	M/C	70/11

REF. No.	PART No.						DESCRIPTION	No. OFF	MATL. SPEC.	M.R. CL of ST.	PL. & ILL. No.
		1	2	3	4	5					
<u>JET PIPE - CONTINUED</u>											
1411	BA.18859						Piece, distance, No.3 insulation casing rear support brackets securing screws No.4 insulation casing front support brackets securing screws Rear insulation casing rear support brackets retaining bolts	- 2 2 2	St.Stl.	M/C	70/15
893	BA.11368						PIN, HINGE, FRONT, FRONT INSULATION CASING - ASSEMBLY (ALTERNATIVE TO ASSEMBLY BA.46604)	2	-	M/C	70/5
-	BA.1220						Collar	2	St.Stl.		
-	BA.11361						Pin, hinge	2	St.Stl.		
893	BA.46604						PIN, HINGE, FRONT, FRONT INSULATION CASING - ASSEMBLY (ALTERNATIVE TO ASSEMBLY BA.11368)	2	-	M/C	70/5
-	BA.46624						Collar	2	St.Stl.		
-	BA.46611						Pin, hinge	2	St.Stl.		
896	BA.11369						PIN, HINGE, FRONT NO.2, AND REAR FRONT, INSULATION CASINGS - ASSEMBLY (ALTERNATIVE TO ASSEMBLY BA.46605)	2	-	M/C	70/5
-	BA.1220						Collar	2	St.Stl.		
-	BA.11362						Pin, hinge	2	St.Stl.		
896	BA.46605						PIN, HINGE, FRONT NO.2, AND REAR FRONT, INSULATION CASINGS - ASSEMBLY (ALTERNATIVE TO ASSEMBLY BA.11369)	2	-	M/C	70/5
-	BA.46624						Collar	2	St.Stl.		
-	BA.46612						Pin, hinge	2	St.Stl.		
900	BA.11372						PIN, HINGE, FRONT, NO.3 INSULATION CASING - ASSEMBLY (ALTERNATIVE TO ASSEMBLY BA.46608)	2	-	M/C	70/5
-	BA.1220						Collar	2	St.Stl.		
-	BA.11365						Pin, hinge	2	St.Stl.		

S.O.S.P.104

REF. No.	PART No.						DESCRIPTION	No. OFF	MATL. SPEC.	M.R. CL of ST	PL. & ILL. No
		1	2	3	4	5					
<u>JET PIPE - CONTINUED</u>											
900	BA.46608						PIN, HINGE, FRONT, No.3 INSULATION CASING - ASSEMBLY (ALTERNATIVE TO ASSEMBLY BA.11372)	2	-	M/C	70/5
-	BA.46624						Collar	2	St.Stl.		
-	BA.46615						Pin, hinge	2	St.Stl.		
1977	BA.30417						PIN, HINGE (ALTERNATIVE TO ASSEMBLY BA.46609) FRONT, No.4 INSULATION CASING - ASSEMBLY REAR, No.3 INSULATION CASING - ASSEMBLY	-	-	M/C	70/5
								2	-		
								2	-		
-	BA.1220						Collar	4	St.Stl.		
-	BA.30416						Pin, hinge	4	St.Stl.		
1977	BA.46609						PIN, HINGE (ALTERNATIVE TO ASSEMBLY BA.30417) FRONT, No.4 INSULATION CASING - ASSEMBLY REAR, No.3 INSULATION CASING - ASSEMBLY	-	-	M/C	70/5
								2	-		
								2	-		
-	BA.46624						Collar	4	St.Stl.		
-	BA.46616						Pin, hinge	4	St.Stl.		
906	BA.11374						PIN, HINGE (ALTERNATIVE TO ASSEMBLY BA.46610) FRONT, REAR INSULATION CASING - ASSEMBLY REAR, No.4 INSULATION CASING - ASSEMBLY	-	-	M/C	70/5
								2	-		
								2	-		
-	BA.1220						Collar	4	St.Stl.		
-	BA.11367						Pin, hinge	4	St.Stl.		
906	BA.46610						PIN, HINGE (ALTERNATIVE TO ASSEMBLY BA.11374) FRONT, REAR INSULATION CASING - ASSEMBLY REAR, No.4 INSULATION CASING - ASSEMBLY	-	-	M/C	70/5
								2	-		
								2	-		
-	BA.46624						Collar	4	St.Stl.		
-	BA.46617						Pin, hinge	4	St.Stl.		

S.O.S.P.104

REF. No.	PART No.						DESCRIPTION	No. OFF	MATL. SPEC.	M.R. CL of ST.	PL. & ILL. No
		1	2	3	4	5					
<u>JET PIPE - CONTINUED</u>											
898	BA.11371						PIN, HINGE, REAR, NO.2 INSULATION CASING - ASSEMBLY (ALTERNATIVE TO ASSEMBLY BA.46607)	2	-	M/C	70/5
	BA.1220						Collar	2	St.Stl.		
	BA.11364						Pin, hinge	2	St.Stl.		
898	BA.46607						PIN, HINGE, REAR, NO.2 INSULATION CASING - ASSEMBLY (ALTERNATIVE TO ASSEMBLY BA.11371)	2	-	M/C	70/5
-	BA.46624						Collar	2	St.Stl.		
-	BA.46614						Pin, hinge	2	St.Stl.		
909	BA.11370						PIN, HINGE, REAR, REAR INSULATION CASING - ASSEMBLY (ALTERNATIVE TO ASSEMBLY BA.46606)	2	-	M/C	70/5
-	BA.1220						Collar	2	St.Stl.		
-	BA.11363						Pin, hinge	2	St.Stl.		
909	BA.46606						PIN, HINGE, REAR, REAR INSULATION CASING - ASSEMBLY (ALTERNATIVE TO ASSEMBLY BA.11370)	2	-	M/C	70/5
-	BA.46624						Collar	2	St.Stl.		
-	BA.46613						Pin, hinge	2	St.Stl.		
1407	BA.20605						Pin, retaining, 2 B.A. x .825" long, front insulation casing longitudinal stiffeners, front	4	N.S.	M/C	70/33
1402	BA.21617*						Pin, retaining, 2 B.A. x .900" long, (Pre-Mod.586)	-	N.S.	M/C	
1395	BA.20606						Pin, retaining, 2 B.A. x .925" long, (Mod.586)	-	N.S.	M/C	70/36
							No.2 insulation casing intermediate support brackets	4			
							No.3 insulation casing intermediate support brackets	8			
							No.4 insulation casing intermediate support brackets	8			
							Rear insulation casing rear intermediate support brackets	4			

S.O.S.P.104

RESTRICTED

Avon 109

INSTALLATION FITTINGS AND ACCESSORIES

Page 453

A. L. 24

REF. No.	PART No.						DESCRIPTION	No. OFF	MATL. SPEC.	M.R. C.L. of ST.	PL. & ILL. No.
		1	2	3	4	5					
36VV/1395	BA20606						JET PIPE - CONTINUED	4	NS	MC	70/36
							Pin, retaining, 2 BA x .925" long, front insulation casing rear support brackets				
36VV/1416	BA18861						Pin, retaining, with 2 BA stud extension, 1.025" long, rear insulation casing longitudinal stiffeners	4	NS	MC	70/25
36VV/1401	BA21054						Pin, retaining, 2 BA x 1.375" long, No 2 insulation casing front support brackets	4	NS	MC	70/37
-	-						Pin, split, .062" x .500" long slinging channel securing nut (Pre-Mod 5440) (Mod 5440)	1	St St1	MC	1/16
28P/12587	KB6851*										
28P/102110	SP90/C3						Pin, split, .062" x .625" long insulation casings hinge pins collars (Pre-Mod 5440) (Mod 5440)	18	ST St1	MC	1/16
28P/12349	KB6852*										
28P/9710567	SP90/C4						PIPE, JET - ASSEMBLY	1	-	-	69/12
-	BA43348						CASING, FRONT - ASSEMBLY	1	-	-	
-	BA35180						SECTION, FRONT - ASSEMBLY	1	-	-	
-	BA24069						Casing	1	St St1		
-	BA20603						Channel, stiffening	2	St St1		
-	BA20615						Flange, stiffening	1	St St1		
-	BA22590						Stiffener	1	St St1		
-	BA49222						SECTION, REAR - ASSEMBLY	1	-		
-	BA20604						Casing	1	St St1		
-	BA24070						Flange, stiffening	1	St St1		
-	BA21610						CASING, No 1 - ASSEMBLY	1	-		
-	BA20616						Casing	1	St St1		
-	BA24071						Flange, stiffening	2	St St1		
-	BA22748						FLANGE, STIFFENING - ASSEMBLY	1	-		
-	BA23610						Bracket, support	2	St St1		
-	BA21637						Flange	2	St St1		
-	BA21613						Plate, support brackets	2	St St1		
-	BA23604						Plate, trap, 'Alfol'	4	St St1		
-	BA10263						Slide, support brackets	2	St St1		
-	BA18867						Support, trap plates	8	St St1		
-	BA21614						CASING, No 2 - ASSEMBLY	1	-		
-	BA21612						Casing	1	St St1		
-	BA24072						Flange, stiffening	2	St St1		
-	BA22749						Flange, stiffening	1	St St1		
-	BA23610										
-	BA23611										

RESTRICTED

S.O.S.P. 104A

REF. No.	PART No.						DESCRIPTION	No. OFF	MATL. SPEC.	M.R. CL of ST.	PL. & ILL. No
		1	2	3	4	5					
						<u>JET PIPE - CONTINUED</u>					
						Cont'd.					
-	BA.24073					CASING, No.3 - ASSEMBLY	1	-			
-	BA.22749					Casing	1	St.Stl.			
-	BA.23610					Flange, stiffening	1	St.Stl.			
-	BA.21618					Ring, support, slinging channel	1	St.Stl.			
-	BA.24074					CASING, No.4 - ASSEMBLY	1	-			
-	BA.22750					Casing	1	St.Stl.			
-	BA.23610					Flange, stiffening	1	St.Stl.			
-	BA.23611					Flange, stiffening	1	St.Stl.			
-	BA.21638					FLANGE, STIFFENING - ASSEMBLY	2	-			
-	BA.21623					Flange	2	St.Stl.			
-	BA.10268					Strip, strengthening	4	St.Stl.			
-	BA.10293					Trap, 'Alfol'	4	St.Stl.			
-	BA.43349					CASING, No.5 - ASSEMBLY	1	-			
-	BA.31068					Casing	1	St.Stl.			
-	BT.1004					Connection, thermocouple	1	St.Stl.			
-	BA.43351					Fairing, front	1	St.Stl.			
-	BA.23902					Fairing, rear	1	St.Stl.			
-	BA.23610					Flange, stiffening	2	St.Stl.			
-	BA.43350					Nozzle, propelling	1	St.Stl.			
-	K.10578					Wire, beading (Mod.446)	1	St.Stl.			
-	BA.24077					SOLEPLATE, DISTANCE FLANGE - ASSEMBLY	1	-			
-	BK.3347					Flange, distance	1	St.Stl.			
-	BA.1203					Soleplate	1	St.Stl.			
-	BA.24076					SOLEPLATE, PRESSURE MEASUREMENT ADAPTOR - ASSEMBLY	1	-			
-	BA.21448					Adaptor	1	St.Stl.			
-	BA.21447					Soleplate	1	St.Stl.			
-	BA.12038					SOLEPLATE, THERMOCOUPLE CONNECTIONS - ASSEMBLY	4	-			
-	BT.1004					Connection	8	St.Stl.			
-	BA.12036					Soleplate	4	St.Stl.			

S.O.S.P.104

RESTRICTED

Avon 109

INSTALLATION FITTINGS AND ACCESSORIES

Page 455

A. L. 24

REF. No.	PART No.						DESCRIPTION	No. OFF	MATL. SPEC.	M.R. C.L. of ST.	PL. & ILL. No.
		1	2	3	4	5					
36VV/1396	BA20612*						JET PIPE - CONTINUED				
36VV/9078	BA78182						Plate, retaining (Pre-Mod 842)	-	St Stl	MC	-
							Plate, retaining (Mod 842)	-	St Stl	MC	70/32
							Front insulation casing longitudinal stiffeners front pins	2			
							Front insulation casing rear support brackets	2			
							No 2 insulation casing front support brackets	2			
36VV/1413	BA21620						Plate, retaining	-	St Stl	MC	70/13
							No 3 insulation casing rear support brackets	2			
							No 4 insulation casing front support brackets	2			
36JJ/3007	KB5826						PLUG, BLANKING, PRESSURE MEASUREMENT ADAPTOR - ASSEMBLY	1	-	MC	1/31
37L/1725	KB5226						Nut, sleeve, blanking plug	1	St Stl	MC	-
-	-						Pin, split .62" x .500" long, nut (Pre-Mod 5440)	1	St Stl	MC	1/16
28P/12587	KB6851*						(Mod 5440)				
28P/102110	SP90/C3						Plug, blanking	1	St Stl	MC	-
37L/1724	KB5801						PLUG, BLANKING, THERMOCOUPLE CONNECTIONS - ASSEMBLY	5	-	MC	1/31
36JJ/3009	KB5829						Nut, sleeve, blanking plugs	5	St Stl	MC	-
36HH/11152	KB5229						Pin, split .062" x .750" long nuts (Pre-Mod 5440)	5	St Stl	MC	1/16
-	-						(Mod 5440)				
28P/12431	KB6853*						Plug, blanking	5	St Stl	MC	-
28P/9710567	SP90/C5						Ring, sealing, front flange	1	St Stl	C	70/35
37C/66015	KB5804						or				
36VV/3784	BA34996						Screw, 2 BA x .900" long	-	NS	MC	70/12
36VV/3784	BA42087						No 3 insulation casing rear support brackets	4			
36VV/1412	BA21621						No 4 insulation casing front support brackets	4			
36VV/18116	RK2670						Screw, .250" x .350" long, pitot connection blanking flange	2	St Stl	MC	69/2

RESTRICTED

S.O.S.P. 104A

RESTRICTED

Avon 109

INSTALLATION FITTINGS AND ACCESSORIES

Page 456

A. L. 24

REF. No.	PART No.						DESCRIPTION	No. OFF	MATL. SPEC.	M.R. C.L. of ST.	PL. & ILL. No.
		1	2	3	4	5					
36VV/1917	BA36366						JET PIPE - CONTINUED SHIELD, HEAT, EXHAUST UNIT TO JET PIPE - ASSEMBLY	1	-	A	-
36VV/890	BA1221						Collar, hinge pin	1	St Stl	C	70/7
36VV/1523	BA25948						FASTENER, SPRING - ASSEMBLY	1	-	A	70/29
-	BA24756						Handle	1	St Stl		
-	BA25949						Hinge pivto	1	St Stl		
-	BA25950						Housing, plunger and spring	1	St Stl		
-	KB3852						Pin, taper, handle retaining	1	St Stl		
-	KB3856						Pin, taper, pivot hinge retaining	1	St Stl		
-	BA24754						Plunger	1	St Stl		
-	BA24755						Spring, plunger	1	Sp Stl		
36VV/1524	BA24093						PIN, HINGE, HEAT SHIELD-ASSEMBLY (ALTERNATIVE TO ASSEMBLY BA46622)	1	-	C	70/5
-	BA1220						Collar	1	St Stl		
-	BA24092						Pin, hinge	1	St Stl		
36VV/1524	BA46622						PIN, HINGE, HEAT SHIELD-ASSEMBLY (ALTERNATIVE TO ASSEMBLY BA24093)	1	-	C	70/5
-	BA46624						Collar	1	St Stl		
-	BA46623						Pin, hinge	1	St Stl		
-	-						Pin, split, .062" x .625" long hinge pin collar (Pre-Mod 5440) (Mod 5440)	1	St Stl	C	1/16
28P/12349	KB6852*						Screw, .250" x .775" long spring fastener securing	1	St Stl	C	70/30
28P/9710567	SP90/C4						SHIELD, HEAT, LH - ASSEMBLY	1	-	MA	70/38
36VV/1525	BA25951						Block, spring fastener	1	St Stl		
36VV/1521	BA25945						Bracket, spring fastener	1	St Stl		
-	BA24750						Hinge, heat shield	1	St Stl		
-	BA25947						Rivet	7	St Stl		
-	BA24101						Shield, heat, LH	1	St Stl		
-	BL8308						Wire, beading (Mod 446)	1	St Stl		
-	BA25945						Wire, beading (Mod 446)	1	St Stl		
-	K10556										
-	K10559										

RESTRICTED

S.O.S.P. 104A

JET PIPE - CONTINUED

1522	BA.28379	SHIELD, HEAT, R.H. - ASSEMBLY	1	-	M/A	70/34
-	BA.25942	Bracket, spring fastener	1	St.Stl.		
-	BA.25944	Bush, plain, spring fastener screw	1	St.Stl.		
-	BA.25943	Bush, screwed, spring fastener screw	1	St.Stl.		
-	BA.24101	Hinge, heat shield	1	St.Stl.		
-	BL.8308	Rivet	7	St.Stl.		
-	BA.28380	Shield, heat, R.H.	1	St.Stl.		
-	K.10556	Wire, beading (Mod.446)	1	St.Stl.		
-	K.10559	Wire, beading (Mod.446)	1	St.Stl.		
17672	KB.7106	Washer, tab, .255in. i/dia. x .032in. thick, spring fastener screw	1	St.Stl.	C	1/10
1406	BA.20608	STIFFENER, LONGITUDINAL, FRONT INSULATION CASING - ASSEMBLY	2	-	M/B	70/31
-	BA.20607	Stiffener	2	St.Stl.		
-	BA.20625	Stiffener	2	St.Stl.		
1415	BA.18873	STIFFENER, LONGITUDINAL, FRONT, REAR INSULATION CASING - ASSEMBLY	2	-	M/B	70/28
-	BA.18838	Stiffener	4	St.Stl.		
1398	BA.18869	STIFFENER, LONGITUDINAL, NO.2 INSULATION CASING - ASSEMBLY	2	-	M/B	70/31
-	BA.18855	Stiffener	4	St.Stl.		
1409	BA.18870	STIFFENER, LONGITUDINAL, NO.3 INSULATION CASING - ASSEMBLY	2	-	M/B	70/31
-	BA.18856	Stiffener	4	St.Stl.		
1414	BA.18871	STIFFENER, LONGITUDINAL, NO.4 INSULATION CASING - ASSEMBLY	2	-	M/B	70/31
-	BA.18857	Stiffener	2	St.Stl.		
-	BA.23766	Stiffener	2	St.Stl.		

JET PIPE - CONTINUED

1418	BA.18872	STIFFENER, LONGITUDINAL, REAR, REAR INSULATION CASING - ASSEMBLY	2	-	M/C	70/31
-	BA.18858	Stiffener	2	St.Stl.		
-	BA.23767	Stiffener	2	St.Stl.		
886	BA.21625	Trap, 'Alfol' foil	4	St.Stl.	M/C	69/10
56DD/30357	KJ.8804	Washer, plain, .400in. o/dia. x .195in. i/dia. x .018in. thick, slinging channel bolt and nut	2	M.S.	M/C	1/5
17659	KB.7104	Washer, tab, .190in. i/dia. x .022in. thick, Front insulation casing rear support bracket pins No.2 insulation casing front support bracket pins No.2 insulation casing intermediate support brackets retaining pin nuts No.2 insulation casing rear support bracket nuts No.3 insulation casing front support bracket nuts No.3 insulation casing intermediate support brackets retaining pin nuts No.3 insulation casing rear support bracket screws No.4 insulation casing front support bracket screws No.4 insulation casing intermediate support bracket retaining pin nuts No.4 insulation casing rear support bracket nuts	-	St.Stl.	M/C	1/10

Cont'd.

JET PIPE - CONTINUED

17659	KB.7104	Washer, tab, - Cont'd.		
		Rear insulation casing front support bracket nuts	4	
		Rear insulation casing rear intermediate support bracket retaining pin nuts	4	
		Rear insulation casing rear support bracket nuts	4	
1405	BA.20610	Washer, tab, double, .190in. x 1.100in. - between centres x .022in. thick,	-	St.Stl. M/C 70/2
		Front insulation casing longitudinal stiffeners front pins	2	
		No.2 insulation casing intermediate support bracket pins	2	
		No.2 insulation casing rear support bracket bolts	2	
		No.3 insulation casing front support bracket bolts	2	
		No.3 insulation casing intermediate support bracket pins	4	
		No.4 insulation casing intermediate support bracket pins	4	
		No.4 insulation casing rear support bracket bolts	2	
		Rear insulation casing front support bracket bolts	2	
		Rear insulation casing rear intermediate support bracket pins	2	
		Rear insulation casing rear support bracket bolts	2	

RESTRICTED

AVON 109
A, L, 22

INSTALLATION FITTINGS AND ACCESSORIES

REF. No.	PART No.						DESCRIPTION	No. OFF	MATL. SPEC.	M.R. C.L. of ST.	PL. & ILL. No.
		1	2	3	4	5					
36VV/17672	KB7106					Washer,	JET PIPE - CONTINUED tab, .255" i/dia. x .032" thick, 'Alfol' foil trap nuts Jet pipe nuts Jet pipe supporting bracket nuts Pitot connection blanking flange screws	- 8 28 8 2	St St1	MC	1/10
36VV/25754	BA25114					Wire, coil, 'Nichrome', .250" dia. x 5 T.P.I., wrapped with 'Alfol' foil, .750" wide x .015 mm. thick, insulation		AR	-	-	-
30A/3055	-					Wire, locking, 22 S.W.G.		AR	-	C	-
							TRANSPORTATION PARTS FOR A COMPLETE JET PIPE				
36JJ/1165	BT2918					CAP, dust, thermocouple connections		4	-	C	69/8
36VV/7997	PPCO/A/28654					CASE, packing, jet pipe (This item is shown for accounting purposes only and is not to be demanded by Units without Air Ministry Authority)		1	-	A	-

RESTRICTED

S.O.S.P. 104A

Avon 109
A.L. 10

REF. No.	PART No.						DESCRIPTION	No. OFF	MATL. SPEC.	M.R. CL. of ST.	PL. & ILL. No
		1	2	3	4	5					

Pages 461, 462, 463, 464,
465, 466, 467 and 468
not issued.

S.O.S.P.104



This file was downloaded from the RTFM Library.

Link: www.scottbouch.com/rtfm

Please see site for usage terms, and more aircraft documents.

