

## SCHEDULE 4

## AUXILIARY GEARBOX DRIVE (PORT)

AVON Mk. 10900 SERIES

Fig. Ref. No.	Part and Description	Dimension New	Permissible Worn Dimension	Clearance New	Permissible Worn Clearance	Remarks
1	BALL BEARING ON COUPLING SHAFT Bearing—bore	$\frac{0.9997}{1.0002}$	—	Tight 0.00030 0.00045	—	
	Shaft—dia.	$\frac{0.99975}{1.00000}$	—	Clear		
2	BALL BEARING End float	—	—	0.008	0.012	Hoffmann and Fischer bearing
		—	—	$\frac{0.0045}{0.0110}$	0.015	Mod. 514. Ransome and Marles bearing
3	BALL BEARING IN HOUSING Housing—bore	$\frac{2.24920}{2.24945}$	—	Tight 0.00030 0.00045	—	
	Bearing—dia.	$\frac{2.2490}{2.2495}$	—	Clear		
4	HOUSING IN ADAPTER Adapter—bore	$\frac{2.437}{2.438}$	—	$\frac{0.001}{0.003}$	—	
	Housing—dia.	$\frac{2.435}{2.436}$	—			
5	HOUSING IN SUPPORT BRACKET Bracket—bore	$\frac{2.4375}{2.4380}$	—	$\frac{0.0003}{0.0013}$	—	
	Housing—dia.	$\frac{2.4367}{2.4372}$	—			
6	OIL SEAL IN SUPPORT BRACKET Bracket—bore	$\frac{2.250}{2.251}$	—	Tight 0.004 0.001	—	
	Seal—dia.	$\frac{2.252}{2.254}$	—	Tight		

RESTRICTED

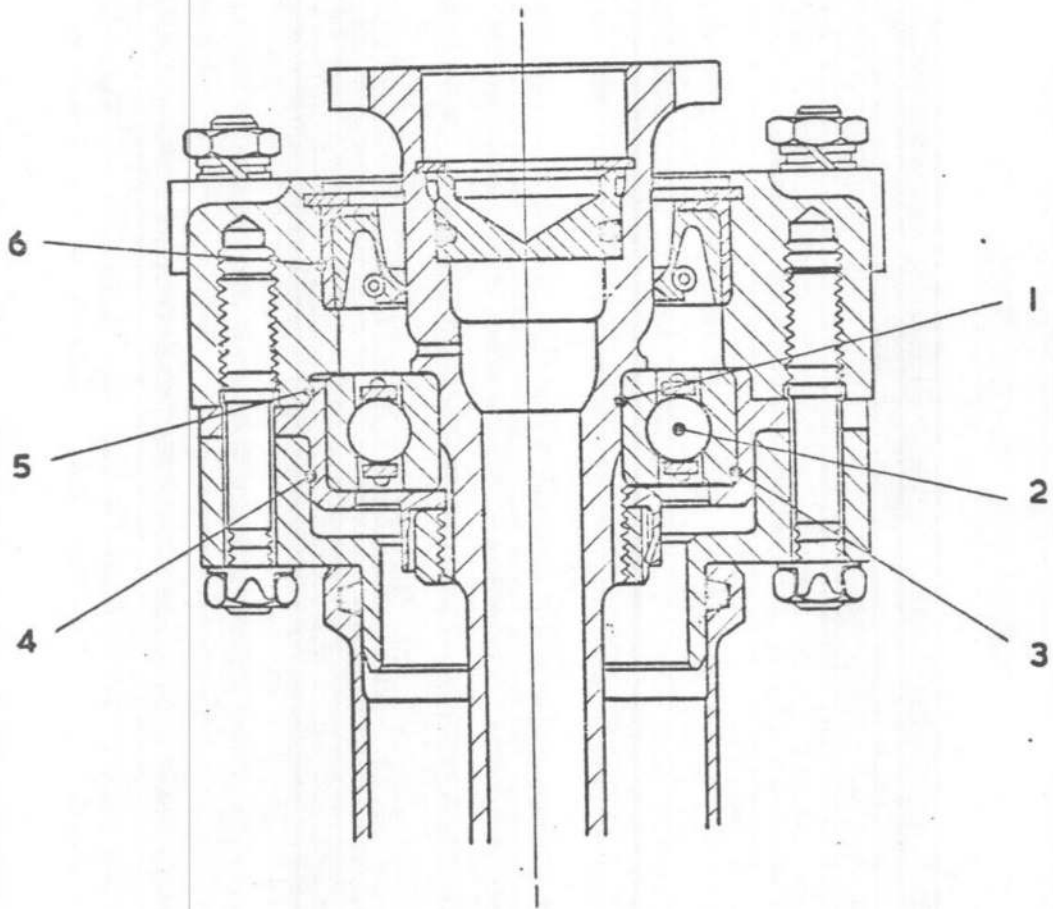


FIG. 1. AUXILIARY GEARBOX DRIVE - PORT

RESTRICTED

## SCHEDULE 5

## AVON Mk. 10900 SERIES

## AUXILIARY GEARBOX DRIVE (STARBOARD)

Fig. Ref. No.	Part and Description	Dimension New	Permissible Worn Dimension	Clearance New	Permissible Worn Clearance	Remarks
1	BALL BEARING ON COUPLING SHAFT	0.9997	—	0.00030	—	
	Bearing—bore	<u>1.0002</u>				
	Shaft—dia.	0.99975	—	0.00045	—	
		<u>1.00000</u>				
2	BALL BEARING IN LINER	2.24920	—	Tight 0.00030	—	
	Liner—bore	<u>2.24945</u>				
	Bearing—dia.	2.2490	—	Clear 0.00045	—	
		<u>2.2495</u>				
3	LINER IN HOUSING	2.4375	—	Tight 0.00260	—	
	Housing—bore	<u>2.4380</u>				
	Liner—dia.	2.43985	—	Tight 0.00185	—	
		<u>2.44010</u>				
4	OIL SEAL HOUSING IN BALL BEARING LINER HOUSING	2.4375	—	0.0005	—	
	Housing—bore	<u>2.4380</u>				
	Housing—dia.	2.4365	—	0.0015	—	
		<u>2.4370</u>				
5	OIL SEAL IN HOUSING	2.2500	—	Tight 0.0055	—	Pre Mod. 529
	Housing—bore	<u>2.2515</u>				
	Seal—dia.	2.2525	—	Tight 0.0010	—	
		<u>2.2555</u>				
	Housing—bore	2.250	—	Tight 0.004	—	Mod. 529
		<u>2.251</u>				
	Seal—dia.	2.252	—	Tight 0.001	—	
		<u>2.254</u>				

RESTRICTED

AUXILIARY GEARBOX DRIVE (STARBOARD)

Fig. Ref. No.	Part and Description	Dimension New	Permissible Worn Dimension	Clearance New	Permissible Worn Clearance	Remarks
6	OIL TRANSFER FERRULE IN HOUSING Housing—bore	$\frac{0.1875}{0.1880}$	—	Tight $\frac{0.00100}{0.00025}$	—	Mod. 529
	Ferrule—dia.	$\frac{0.18825}{0.18850}$	—	Tight		
7	LOCATING PEG IN HOUSING Housing—bore	$\frac{0.1562}{0.1567}$	—	Tight $\frac{0.00100}{0.00025}$	—	Mod. 529
	Peg—dia.	$\frac{0.15695}{0.15720}$	—	Tight		
8	BALL BEARING End float	—	—	0.008	0.012	Hoffmann and Fischer bearing
		—	—	$\frac{0.0045}{0.0110}$	0.015	Mod. 514. Ransome and Marles bearing
9	COUPLING SHAFT IN EXTERNAL WHEELCASE DRIVING BEVEL GEARSHAFT Backlash between serrations	—	—	$\frac{0.0016}{0.0054}$	0.008	

RESTRICTED

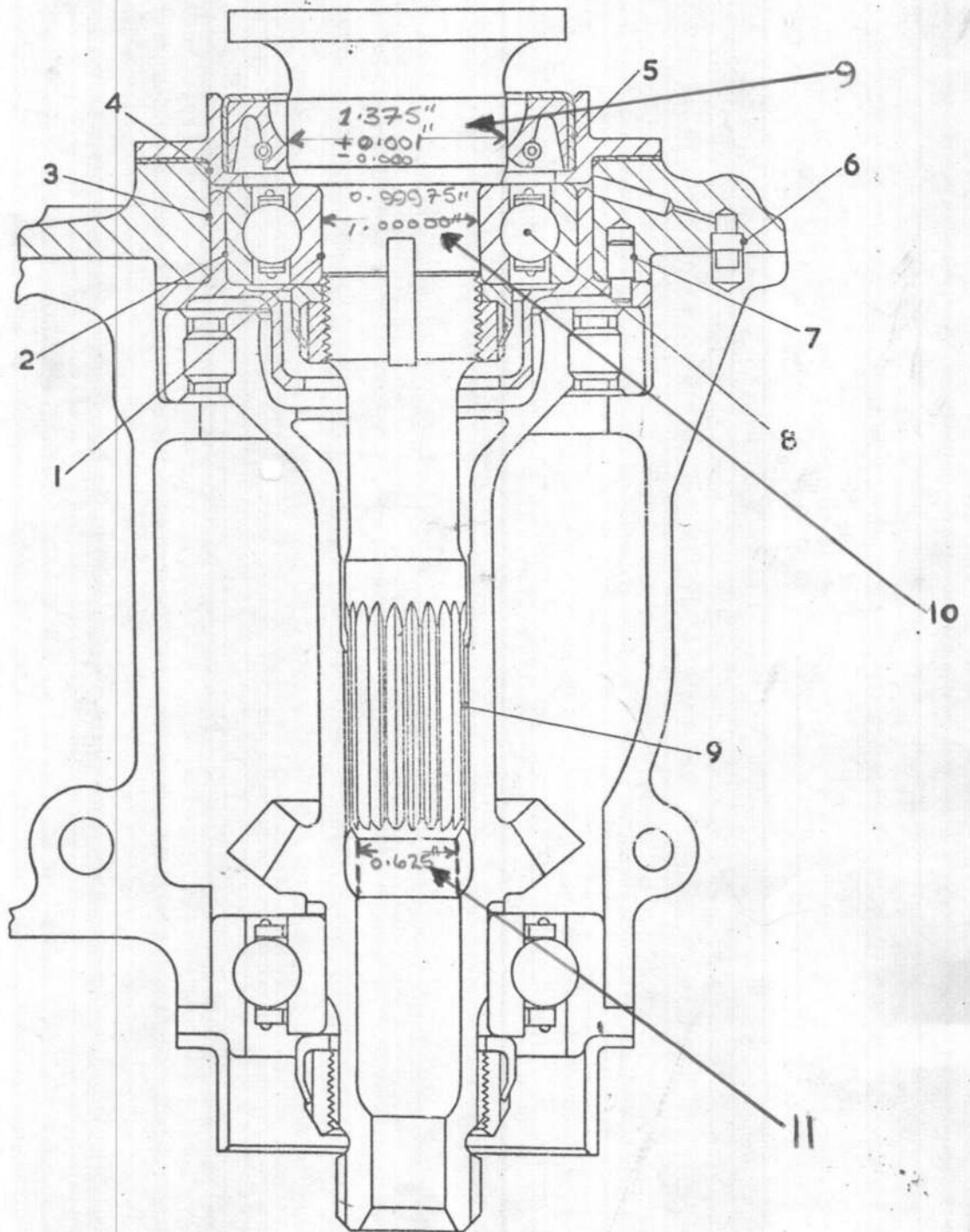


FIG. I. AUXILIARY GEARBOX DRIVE - STARBOARD

RESTRICTED

This file was downloaded  
from the RTFM Library.

Link: [www.scottbouch.com/rtfm](http://www.scottbouch.com/rtfm)

Please see site for usage terms,  
and more aircraft documents.

