

**EQUIPMENT, AIRCRAFT
PRESSURE CABIN EQUIPMENT**

Ref. No	Part No.	Description						No. off	Matl. Spec.	Cl. of Equip.		Plate No.
		1	2	3	4	5	6			M.R.	L.M.	
	E.A2.80.443	EQUIPMENT IN PRESSURE CABIN, ASSEMBLY (MOD. 610)						—	—	—		
	E.A3.80.6473	ACCELEROMETER, INSTALLATION (MOD. 4158) ...						—	—	—		
6A/3451		Spares for:—										
		Accelerometer, Mk. 2						1	—		A	
28S/1012358	A43/B32	Attaching parts for Ref. 6A/3451:—										
		Screw, 4 BA						3	—		C	
	E.A3.80.6465	Bracket, mounting, accelerometer						1	L.59		—	
		Attaching parts for E.A3.80.6465:—										
28M/10274	AGS.2001/B/4	Nut, 4 BA						6	—		C	
28S/9150582	A.43/B.16	Screw, 4 BA						6	—		C	
28W/1010006	SP.22/B	Washer						6	—		C	
	E.A3.80.6469	Bracket, L.H. coaming tube						1	BS.267		—	
	E.A3.80.6471	Bracket, R.H. coaming tube						1	BS.267		—	
	E.A3.83.179	BAGS, STOWAGE, FLAP SWITCH AND UNDER-CARRIAGE LOCK SWITCH, INSTALLATION						—	—	—		
		Spares for:—										
8969	E.A3.83.173	Bag, stowage, for flap switch locking pin						1	—		B	AE.1
22167	E.A3.83.295	Bag, stowage, for undercarriage switch locking pin						1	—		B	AE.1
		Attaching parts for E.A3.83.173 and E.A3.83.295:—										
28M/10287	AGS.2001/B/1	Nut, 4 BA						1	—		C	
4202	E.A3.81.1165	Stud, assembly						1	—		C	AE.1
28W/9419474	SP.15/B	Washer, 4 BA						1	—		C	
5CW/4751	E.A3.83.175	LOCK, FLAP SWITCH, ASSEMBLY						1	—		B	AE.1
		Spares for:—										
28FP/1200982	AVDEL A.415	Pin, "pip", quick release						1	—		C	
22168	E.A3.83.299	Lock, undercarriage switch						1	—		C	AE.1
	E.A3.83.95	BALLAST, UNDER BOMB AIMER'S RAMP, ASSEMBLY						7	—	—		
		Spares for:—										
13044	E.A3.83.97	Box, ballast, assembly						1	—		B	AE.1
		Attaching parts for E.A3.83.97:—										
28D/1011238	A25/3E	Bolt, 1/2" BSF						1	—		C	
28D/1008151	A.25/4E	Bolt, 1/2" BSF						1	—		C	
28D/1011240	A25/5E	Bolt, 1/2" BSF						1	—		C	
28D/1011245	A25/10E	Bolt, 1/2" BSF						4	—		C	
28M/10290	AGS.2001/E/1	Nut, 1/2" BSF						7	—		C	
	E.A3.83.105	Packing, block						1	—		—	
	E.A3.83.107	Packing, block						2	—		—	
32204	E.A3.83.99	Strap, ballast box						1	—		B	AE.1
	E.A3.83.101	Strap, supporting						2	—		—	
28W/9418921	SP.13/E	Washer, 1/2" BSF						2	—		C	
26761	E.A3.83.109	Washer, special						1	—		C	AE.1
24855	E.A3.83.111	Washer, special						2	—		C	AE.1
32202	E.A3.84.21	Block, ballast S.O.O.						1	—		B	AE.1
		Attaching parts for E.A3.84.21:—										
28D/1013176	AS.1242/10E	Bolt, 1/2" BSF						1	—		C	
28D/1212828	AS.1242/11E	Bolt, 1/2" BSF						1	—		C	
28D/1212831	AS.1242/14E	Bolt, 1/2" BSF						7	—		C	
28M/1011475	A27/EP	Nut, 1/2" BSF						9	—		C	
28W/9418921	SP.13/E	Washer						9	—		C	

**EQUIPMENT, AIRCRAFT
PRESSURE CABIN EQUIPMENT**

Ref. No	Part No.	Description						No. off	Matl. Spec.	Cl. of Equip. M.R. L.M.	Plate No.
		1	2	3	4	5	6				
32203	E.A3.84.23	Block, ballast S.O.O.						1	—	B	AE.1
12997	E.A3.84.25	Block, ballast S.O.O.						3	—	B	AE.1
	E.A3.84.29	Block, ballast S.O.O.						3	—	—	
	E.A3.80.873	BRACKET, JUNCTION BOX MOUNTING, INSTALLATION						—	—	—	
		Spares for:—									
8519	E.A3.80.1337	Bracket, assembly						1	L72	C	AE.5
8518	E.A3.80.1339	Bracket, assembly						1	L72	C	AE.5
	E.A3.80.2619	COMPASS, E.2A, ASSEMBLY						1	—	—	
		Spares for:—									
	E.A3.80.2623	Bracket, mounting, assembly						1	—	—	AE.2
		Attaching parts for E.A3.80.2623:—									
28M/10274	AGS.2001/B/4	Nut, 4 BA						2	—	C	
28S/9148118	A43/B10	Screw, 4 BA						2	—	C	
6B/405	†	Compass, type E.2A						1	—	A	AE.2
		Attaching parts for Ref. 6B/405:—									
28M/10274	AGS.2001/B/4	Nut, 4 BA						2	—	C	
28S/1012356	A43/B12	Screw, 4 BA						2	—	C	
8631	E.A3.80.2621	Flap, assembly						1	—	C	AE.2
		Attaching parts for E.A3.80.2621:—									
28M/10279	AGS.2001/A/3	Nut, 6 BA						2	—	C	
8633	E.A3.80.1949	Pin, hinge						1	—	C	AE.2
8630	E.A3.80.2633	Tube, distance						2	—	C	AE.2
28W/3537	AGS.1583/D	Washer, spring						2	—	C	
8632	E.A3.80.2627	Spring						1	—	C	
	E.A2.80.9	CONSOLE, PILOT'S, ASSEMBLY						—	—	—	
		Spares for:—									
	E.A2.80.557	PANEL, CONSOLE, REMOVABLE (MOD. 2601)						1	—	—	
		Spares for:—									
5X/2863	CZ.24285	Block, terminal—10-way						1	—	C	AE.3
		Attaching parts for CZ.24285:—									
28D/1214867	AS.1246/5B	Bolt, 4 BA						2	—	C	
5X/3271	CZ.52815	Block, fuse, assembly, 4-way						2	—	C	AE.3
		Attaching parts for CZ.52815:—									
28S/1200080	A32/B8	Screw, 4 BA						3	—	C	
28W/9416642	SP.47/B	Washer						3	—	C	
8485	E.A2.81.359	Bracket, plug						1	—	C	
		Attaching parts for E.A2.81.359:—									
28M/10287	AGS.2001/B/1	Nut, 4 BA						6	—	C	
28S/9992525	A32/B12	Screw, 4 BA						6	—	C	
	E.A2.81.5907	CABLE, ASSEMBLY (EARTH) FROM RUDDER TRIM SWITCH TO CONSOLE EARTH (MOD. 4229)						1	—	—	
		Spares for:—									
5E/4183	†	Cable, Uninyvin 20						QR	—	C	
5K/9107066	EEAS.146/A1	Sleeve, 1/2" long						2	—	C	
5X/7316	HC.1187	Tag						1	—	C	
5X/9709513	HC.294D	Tag						1	—	C	

**EQUIPMENT, AIRCRAFT
PRESSURE CABIN EQUIPMENT**

Ref. No.	Part No.	Description						No. off	Matl. Spec.	Cl. of Equip. M.R. L.M.	Plate No.
		1	2	3	4	5	6				
	E.A3.81.2629	CABLE, ASSEMBLY, N49D, FROM SNATCH UNIT TOGGLE SWITCH, TO JETTISON SWITCH UNIT (MOD. 4046)						1	—	—	
		Spares for:—									
	5E/3894 †	Cable, Unitercil 20						QR	—	C	
5K/9107065	EEAS.146/20	Sleeve, ¾" long						4	—	C	
5K/9107066	EEAS.146/10	Sleeve, 1" long						4	—	C	
5X/1010324	HC.296	Tag						2	—	C	
5F/9143294		Tube, P.V.C						QR	—	C	
5K/9436636	AGS.1600/A	Cable-end, eye, 4 BA						6	—	C	
5K/1494	AGS.1600/B	Cable-end, eye, 2 BA						1	—	C	
5E/3894 †		Cable, Unitercil, 20						QR	—	C	
5E/3896 †		Cable, Unitercil, 16						QR	—	C	
5E/3898 †		Cable, Unitercil, 12						QR	—	C	
15336	E.A1.81.542	Carrier, spare fuse, assembly, 8-way						1	LFS.21	B	AE.3
		Attaching parts for E.A1.81.542:—									
28M/10286	AGS.2001/A/1	Nut, 6 BA						2	—	C	
28S/9995324	A32/A16	Screw, 6 BA						2	—	C	
	E.A2.80.93	Cover, fuse, compartment						1	—	—	
		Attaching parts for E.A2.80.93:—									
28S/9992525	A32/B12	Screw, 4 BA						2	—	C	
3525	E.A2.81.753	Cover, relay, photoflash						1	—	C	AE.3
		Attaching parts for E.A2.81.753:—									
28S/9992525	A32/B12	Screw, 4 BA						4	—	C	
5K/2724	SIS.2427	Cover, spring, assembly						1	—	C	AE.3
10H/23864 †		Fuse, type AS, 5 amp.						8	—	C	
10H/23862 †		Fuse, type AS, 10 amp						6	—	C	
10H/23860 †		Fuse, type AS, 20 amp						2	—	C	
5X/1877	Z.1719	Grommet, Helsyn						4	—	C	AE.3
5X/1872	Z.1878	Grommet, Helsyn						1	—	C	AE.3
	E.A2.81.5933	Guard, switch, photoflash jettison (Mod. 4307)						1	—	—	
5CZ/5073 †		Indicator, magnetic flag, type A						4	—	C	
5CW/4509	E.A3.81.787	Knob, switch, aileron trim						1	DTD.683	B	AE.3
		Attaching parts for E.A3.81.787:—									
3222	E.A3.81.1089	Screw, grub, 6 BA						1	—	C	AE.3
	or										
28S/1008070	A55/A4	Screw, grub, 6 BA						1	—	C	
5X/6238	EEAS.71/3	Link, connecting, 4-way						2	—	C	
	E.A2.80.91	Panel, top, assembly (aft)						1	—	—	
5CW/8815	AS.10512-11	Plate, adapter, photoflash switches (Mod. 4307)						4	—	C	
8492	E.A3.90.189	Plate, blanking						1	—	—	
		Attaching parts for E.A3.90.189:—									
28S/9992525	A32/B12	Screw, 4 BA						2	—	C	
		Plate, blanking						1	—	—	
	E.B7.81.2971	Attaching parts for E.B7.81.2971:—									
28S/9133016	A32/C12	Screw, 2 BA						2	—	C	
5X/7140	2CZ.111399	Plug, size A, 4-way						2	—	C	
5X/5805562	2CZ.111224	Plug, size B, 9-way						1	—	C	
5X/7159	2CZ.111229	Plug, size D, 26-way						2	—	C	

**EQUIPMENT, AIRCRAFT
PRESSURE CABIN EQUIPMENT**

Ref. No	Part No.	Description						No. off	Matl. Spec.	Cl. of Equip.		Plate No.
		1	2	3	4	5	6			M.R.	L.M.	
5K/9107065	EEAS.146/A							167	—	C		
5X/1005131	Z.49428							35	—	C		
42076	E.A3.81.6375							1	—	B		
	E.A4.81.6801							2	—	—		
	C.W.C. EQUIP- MENT HADDON & STOKES DP.1003							1	—	—		
								6	—	—		
285/1200080	A32/B8							4	—	C		
28W/1206041	AGS.2035/B							4	—	C		
5CW/898	E1.7251							2	—	B	AE.3	
28M/10286	AGS.2001/A/1							4	—	C		
28S/9995324	A32/A16							4	—	C		
5CW/9729122	†							1	—	B	AE.3	
28M/10286	AGS.2001/A/1							4	—	C		
5CW/7541	ROTAX, XD.779							8	—	C		
5CW/5252	HV.3711							1	—	C		
28S/9992525	A32/B12							2	—	C		
28W/9416642	SP.47/B							2	—	C		
15493	EEAS.28/2/GP							2	—	C		
5CW/7540	ROTAX, XD.778							1	—	C		
5CW/5252	HV.3711							1	—	C		
28S/9992525	A.32/B12							2	—	C		
28W/9416642	SP.47/B							2	—	C		
15493	EEAS.28/2/GP							2	—	C		
5CW/9235	DOWTY A-2							1	—	B		
5CW/9236	DOWTY A-3							1	—	B		
28S/9992525	A32/B12							2	—	C		
5CW/6428								1	—	B		
5CW/7539								1	—	C		
5CW/936	E. & I. 7857							1	—	B	AE.3	
28M/10286	AGS.2001/A/1							4	—	C		
28S/9995324	A32/A16							4	—	C		
5X/9709513	HC.249D							5	—	C		
5X/7316	HC.1187							1	—	C		
5X/7298	HC.490							22	—	C		
5X/7016	HC.500							3	—	C		
5X/7017	HC.510							5	—	C		
5K/2747	†							1	—	C		
5CW/4331	†							2	—	C		
5CW/4332	†							2	—	C		

**EQUIPMENT, AIRCRAFT
PRESSURE CABIN EQUIPMENT**

Ref. No	Part No.	Description						No. off	Mati. Spec.	Cl. of Equip.		Plate No.
		1	2	3	4	5	6			M.R.	L.M.	
28D/9436920	A25/1C	Attaching parts for E.A2.80.557:—						6	—	C		
28D/9140202	AS.1246/1C	Bolt, 2 BA						2	—	C		
28D/1007982	AS.1248/1C	Bolt, 2 BA						18	—	C		
28W/9419402	SP.13/C	Washer						6	—	C		
	E.A2.80.57	STRUCTURE, PILOT'S CONSOLE, ASSEMBLY						—	—	—		
		Spares for:—										
	E.A2.80.81	Panel, aft, removable						1	—	—		
5628	E.B7.80.365	Panel, forward, removable battery access ...						1	L.72	C		AE.3
	E.A2.80.323	Panel, rear, detachable						1	—	—		
		Attaching parts for E.A2.80.81, E.A2.80.323 and E.B7.80.365:—										
28D/1007982	AS.1248/1C	Bolt, 2 BA						8	—	C		
	E.A3.80.2057	CONTAINER, URINE, ASSEMBLY						1	—	—		
		Spares for:—										
27H/3224	†	Container, Mk. 2						1	—	B		AE.6
27H/2316	†	Funnel						1	—	C		AE.6
	E.B7.80.327	CURTAINS, BLACKOUT, ASSEMBLY						—	—	—		
		Spares for:—										
12993	E.B7.80.331	CURTAIN, MAIN, ASSEMBLY						1	—	B		AE.7
		Consisting of:—										
	E.B7.80.333	Curtains, main						1	—	—		
		Attaching parts for E.B7.80.333:—										
	CARR FASTENER CO.											
29G/4171	671	Button						3	—	C		
29G/1034156	N.608	Fastener, socket						12	—	C		
29G/1034153	708A	Plate, clinch						12	—	C		
29G/4136	C.548	Socket						3	—	C		
		Attaching parts for E.B7.80.331:—										
29G/4137	CARR 759	Fastener, "durable dot"						3	—	C		
28M/10288	AGS.2001/C/1	Nut, 2 BA						4	—	C		
29G/2180	CARR 882	Stud						4	—	C		
6332	E.A3.80.1753	CURTAIN, BLACKOUT, NAVIGATOR'S WINDOW, ASSEMBLY						1	—	B		AE.7
		Spares for:—										
	E.A3.80.1951	Curtain, navigator's window						1	—	—		
		Attaching parts for E.A3.80.1951:—										
28D/1007979	AS.1246/1B	Bolt, 4 BA						1	—	C		
28M/10287	AGS.2001/B/1	Nut, 4 BA						1	—	C		
28M/10288	AGS.2001/C/1	Nut, 2 BA						4	—	C		
29G/4074	CARR 680	Stud, 2 BA						4	—	C		
28W/9419415	SP.13/B	Washer						1	—	C		
28W/9419402	SP.13/C	Washer						4	—	C		
	E.A3.80.1761	Strap						2	—	—		
18721	E.B6.80.139	Plate, blackout, starboard						1	—	C		AE.7
	E.A2.80.5125	Plate, blackout, port (Mod. 4046)						1	—	—		
3418	EEAS.132/12	Strap, securing						2	—	C		
		Attaching parts for EEAS.132/12:—										
28M/10328	AGS.2002/C/1	Nut, 2 BA						2	—	C		
29G/2180	CARR 882	Stud, hex. base						2	—	C		
18854	EEAS.27/16/ER	Washer						2	L.72	C		

**EQUIPMENT, AIRCRAFT
PRESSURE CABIN EQUIPMENT**

Ref. No	Part No.	Description						No. off	Matl. Spec.	Cl. of Equip. M.R. L.M.	Plate No.
		1	2	3	4	5	6				
	—	EQUIPMENT FORWARD OF FRAME 1, INSTALLATION (DRG. NO. E.B7.80.3)						—	—	—	
		Spares for:—									
9/4552 or 9/4566 9/3350	†	Bombsight, T3 (Night role only) (S.O.O.) (Mod. 3301)						1	—	A	AE.4
	†	Bombsight, T4 (Night role only) (S.O.O.) ...						1	—	A	AE.4
	†	Bracket, bombsight mounting (Night role) (S.O.O.)						1	—	A	AE.4
		Attaching parts for Ref. 9/3350:—									
28D/1011302	A25/10J	Bolt, 3/8" BSF ...						3	—	C	
28M/1011473	A27/JJ	Nut, 3/8" BSF ...						3	—	C	
28W/9416646	SP.47/J	Washer, spring ...						3	—	C	
5L/9952438	†	Lamp, filament, 28 v, 40 watt (Day role only) ...						2	—	C	
	E.B7.80.603	MOUNTING, CAMERA, CONTROLLER'S, ASSEMBLY						1	—	—	
		Spares for:—									
33686	E.B7.80.605	Bracket, mounting, assembly ...						1	—	C	AE.4
33685	E.B7.80.607	Bracket, mounting, assembly ...						1	—	C	AE.4
		Consisting of:—									
	E.B7.80.619	Bolt, special ...						2	—	—	
	E.B7.80.615	Hinge ...						1	—	—	
6346	EEAS.98/1	Lug, 18 SWG ...						2	L.72	C	
6347	EEAS.98/2	Lug, 18 SWG ...						2	L.72	C	
	E.B7.80.651	Nut, lock, instrument ...						2	—	—	
14A/540	†	Plate, wedge ...						1	—	B	AE.4
	E.B7.80.635	MOUNTING, ASSEMBLY, FORE AND AFT LEVEL						1	—	—	
		Spares for:—									
	E.B7.80.637	Bracket, assembly ...						1	—	—	
		Attaching parts for E.B7.80.637:—									
28D/9419452	A25/3B	Bolt, 4 BA ...						4	—	C	
34714	EEAS.31/5HO	Washer, corner ...						4	—	C	
6A/389	†	Level, fore and aft, Type B ...						1	—	B	AE.4
		Attaching parts for Ref. 6A/389:—									
28D/9710453	AS.1246/4C	Bolt, 2 BA ...						2	—	C	
28M/10288	AGS.2001/C/1	Nut, 2 BA ...						2	—	C	
	E.B7.80.315	Washer, felt ...						2	—	—	
	E.B7.83.5001	MOUNTING, ASSEMBLY, F89, CAMERA CONTROL						1	—	—	AE.4
		Spares for:—									
33278	E.B7.83.5005	Guide ...						1	—	C	AE.4
		Attaching parts for E.B7.83.5005:—									
28D/1214091	AS.1242/2C	Bolt, 2 BA ...						3	—	C	
28M/10288	AGS.2001/C/1	Nut, 2 BA ...						3	—	C	
28W/9419475	SP.15/C	Washer ...						3	—	C	
33279	E.B7.83.5007	Guide ...						1	—	C	AE.4
14A/540	†	Plate, wedge ...						2	—	B	AE.4
		Attaching parts for Ref. 14A/540:—									
28S/9131095	A31/C14	Screw, 2 BA ...						4	—	C	
28S/997545	A31/C16	Screw, 2 BA ...						4	—	C	

**EQUIPMENT, AIRCRAFT
PRESSURE CABIN EQUIPMENT**

Ref. No.	Part No	Description						No. off	Matl. Spec.	Cl. of Equip.	Place No.
		1	2	3	4	5	6			M.R. L.M.	
	E.B7.97.5001	PANEL CONTROL, BOMBSIGHT						1	—	—	
		Spares for:—									
109/82 or 9/4578	†	Panel, control, Type T.3						1	—	A	AE.4
	†	Panel, control, Type T.4						1	—	A	AE.4
28S/9435713	A31/C20	Attaching parts for 109/82 or 9/4578:—									
		Screw, 2 BA						3	—	C	
	E.B7.80.5001	PANEL, CONTROL AND SUPPRESSOR, IN- STALLATION (S.O.O. MOD. 3301)						—	—	—	
		Spares for:—									
9/4554 or 9/4816	†	Bracket, compass repeater, mounting						1	—	—	
	†	Control-Unit, Gyro (T.3 Bombsight)						1	—	A	AE.4
	†	Control-Unit, Gyro (T.4 Bombsight)						1	—	A	AE.4
28S/9419453	A31/B14	Attaching parts for Ref. 9/4554 or 9/4816:—									
		Screw, 4 BA						4	—	C	
	E.B7.80.5003	Plate, control panel, mounting, assembly						1	—	—	
5CY/7001363	†	Suppressor, Type B4						1	—	B	AE.4
	†	Attaching parts for Ref. 5CY/ 7001363:—									
28D/9131782	AS.1242/2B	Bolt, 4 BA						2	—	C	
28M/10287	AGS.2001/B/1	Nut, 4 BA						2	—	C	
28W/9419474	SP.15/B	Washer						2	—	C	
9/4533	†	Panel, collimator, control						1	—	A	AE.4
	†	Attaching parts for Ref. 9/4533:—									
28D/9436920	A25/1C	Bolt, 2 BA						3	—	C	
28M/10288	AGS.2001/C/1	Nut, 2 BA						3	—	C	
6B/742	†	Repeater-compass No. 1						1	—	A	AE.4
	†	Attaching parts for Ref. 6B/742:—									
28D/1200119	A25/4C	Bolt, 2 BA						4	—	C	
9/4532	†	Sight, photographic (Day role only)						1	—	A	AE.4
	E.A3.80.2009	EQUIPMENT, NAVIGATOR'S, COMPARTMENT						—	—	—	
		Spares for:—									
	E.A3.80.2067	Bracket						1	—	—	
	E.A3.80.2069	Bracket						1	—	—	
		Attaching parts for E.A3.80.2067 and E.A3.80.2069:—									
28D/9436920	A25/1C	Bolt, 2 BA						4	—	C	
28M/10288	AGS.2001/C/1	Nut, 2 BA						4	—	C	
28W/9419475	SP.15/C	Washer						4	—	C	
	E.B7.80.815	BRACKET, FILTER MOUNTING, ASSEMBLY						1	—	—	
		Spares for:—									
	E.B7.80.817	Bracket, mounting, assembly						1	—	—	
		Attaching parts for E.B7.80.817:—									
28D/1010658	A25/1B	Bolt, 4 BA						10	—	C	
28M/10287	AGS.2001/B/1	Nut, 4 BA						2	—	C	
28W/9419474	SP.15/B	Washer						2	—	C	

**EQUIPMENT, AIRCRAFT
PRESSURE CABIN EQUIPMENT**

Ref. No.	Part No.	Description	No. off	Matl. Spec.	Cl. of Equip.	Plate No.
					M.R. L.M.	
	E.A3.80.2025	EQUIPMENT, FORWARD OF NAVIGATOR'S TABLE	—	—	—	
		Spares for:—				
8708	E.A3.81.2273	Bracket, angle	2	—	C	AE.5
		Attaching parts for E.A3.81.2273:—				
28D/1011011	A25/8B	Bolt, 4 BA	4	—	C	
28M/10287	AGS.2001/B/1	Nut, 4 BA	4	—	C	
8707	E.A3.81.2271	Tube, distance	4	—	C	AE.5
28W/9419474	SP.15/B	Washer	4	—	C	
6B/291	Z.10129	Drive, flexible	1	—	B	AE.5
		Attaching parts for Z.10129:—				
28D/1010658	A25/1B	Bolt, 4 BA	1	—	C	
20461	EEAS.143/8	Clip, pipe	1	L.72	C	
28M/10287	AGS.2001/B/1	Nut, 4 BA	1	—	C	
28W/9419474	SP.15/B	Washer	1	—	C	
8709	E.A3.81.2269	Plate, mounting	1	—	C	AE.5
		Attaching parts for E.A3.81.2269:—				
28D/8337	AS.1248/1B	Bolt, 4 BA	4	—	C	
28M/10287	AGS.2001/B/1	Nut, 4 BA	4	—	C	
28W/9419474	SP.15/B	Washer	4	—	C	
3416	EEAS.132/7	Strap, cable	2	Comm. Webbing	C	
		Attaching parts for EEAS.132/7:—				
28D/9744	AS.1248/2B	Bolt, 4 BA	2	—	C	
28M/10287	AGS.2001/B/1	Nut, 4 BA	2	—	C	
3420	EEAS.73	Plate, clamp	2	—	C	
28W/9419474	SP.15/B	Washer	2	—	C	
6B/314	IN.8501	Unit, repeater, for A.P.I.	1	—	A	AE.5
		Attaching parts for IN.8501:—				
28D/9436920	A25/1C	Bolt, 2 BA	3	—	C	
28M/10288	AGS.2001/C/1	Nut, 2 BA	3	—	C	
3567	E.A3.80.49	Frame, Gee-H-receiver, assembly	1	—	B	AE.6
		Attaching parts for E.A3.80.49:—				
28M/10290	AGS.2001/E/1	Nut, 1/2" BSF	4	—	C	
6408	E.A3.80.133	Washer, special	4	—	C	AE.6
	E.A3.80.2023	MOUNTING, A.M.U. CONTROLLER	1	—	—	
		Spares for:—				
6B/471	†	Control, A.M.U. Mk. 4	1	—	A	AE.6
		Attaching parts for Ref. 6B/471:—				
28D/9128739	AS.1248/1B	Bolt, 4 BA	4	—	C	
10AB/2506	†	Mounting, assembly, Type 159/3	1	—	B	AE.6
		Attaching parts for 10AB/2506:—				
28D/9436920	A25/1C	Bolt, 2 BA	16	—	C	
28D/1011245	A25/10E	Bolt, 1/2" BSF	4	—	C	
28M/10281	AGS.2001/C/3	Nut, 2 BA	16	—	C	
28M/10299	AGS.2001/E/2	Nut, 1/2" BSF	4	—	C	
28W/9419475	SP.15/C	Washer	16	—	C	
8575	E.A3.80.1323	Washer	4	—	C	AE.6

**EQUIPMENT, AIRCRAFT
PRESSURE CABIN EQUIPMENT**

Ref. No.	Part No.	Description						No. off	Matl. Spec.	Cl. of Equip.	Plate No.
		1	2	3	4	5	6			M.R. L.M.	
13030	E.A3.80.2017	MOUNTING FOR GEE-H INDICATOR AND CONTROLLER						1	—	B	AE.6
8744	E.A3.80.2461	Spares for:— Bolt, special						2	—	C	AE.6
28D/12515	A25/10C	Attaching parts for E.A3.80.2461:— Bolt, 2 BA						1	—	C	
28M/10288	AGS.2001/C/1	Nut, 2 BA						1	—	C	
28W/9419475	SP.15/C	Washer						1	—	C	
10AJ/	A. WELLS & CO. LTD. HDFM.35	Mounting, Equiflex						4	—	—	AE.6
28M/10292	AGS.2001/J/J/1	Attaching parts for HDFM.35:— Nut, 3/8" BSF						2	—	C	
28W/9419477	SP.15/J	Washer						2	—	C	
8746	E.A3.80.2463	Toggle, clamp, assembly						2	—	C	AE.6
	E.A3.80.2685	MOUNTING, R.F. UNIT, INSTALLATION						1	—	—	
8714	E.A3.80.2709	Spares for:— Bracket, assembly						4	—	C	AE.6
28D/9436920	A25/1C	Attaching parts for E.A3.80.2709:— Bolt, 2 BA						4	—	C	
28M/10288	AGS.2001/C/1	Nut, 2 BA						4	—	C	
28W/9419402	SP.13/C	Washer, 2 BA						4	—	C	
8713	E.A3.80.2687	MOUNTING, ASSEMBLY						1	—	B	AE.6
10A/17616	†	Spares for:— Mounting, anti-vibration, Type 682						4	—	B	AE.6
28D/1011011	A25/8B	Attaching parts for E.A3.80.2687:— Bolt, 4 BA						4	—	C	
28W/9419465	SP.13/B	Washer, 4 BA						4	—	C	
8715	E.A3.80.2699	Washer, special						4	—	C	AE.6
8716	E.A3.80.2725	Support, assembly						1	—	C	AE.6
8717	E.A3.80.2726	Support, assembly						1	—	C	AE.6
28D/1010658	A25/1B	Attaching parts for E.A3.80.2725 and E.A3.80.2726:— Bolt, 4 BA						4	—	C	
28W/9419465	SP.13/B	Washer, 4 BA						4	—	C	
	E.A3.80.2015	PANEL NAVIGATOR'S INSTRUMENT, ASSEMBLY (PRE-MOD. 3258)						1	—	—	
6A/5040	†	Spares for:— Altimeter, Mk. 19B						1	—	A	AE.6
	E.B7.80.487	Attaching parts for Ref. 6A/5040:— Plate, adaptor. (Make from 30B/904)						1	—	LM	
	or	Plate, adaptor						1	—	—	
28S/2431	E.B7.80.737	Screw, 4 BA						4	—	C	
28W/9419448	A44/B28	Washer, shakeproof						4	—	C	
8731	E.A3.80.551	Bracket, L.H. instrument, panel attachment						1	—	C	AE.6
8735	E.A3.80.2329	Bracket, R.H. instrument, panel attachment						1	—	C	AE.6

**EQUIPMENT, AIRCRAFT
PRESSURE CABIN EQUIPMENT**

Ref. No.	Part No.	Description	No. off	Matl. Spec.	Cl. of Equip.		Plate No
					M.R.	L.M.	
		1 2 3 4 5 6					
8732	E.A3.80.2325	Clip, L.H. assembly, panel attachment, on coming tube	1	—	C		AE.6
8733	E.A3.80.2327	Clip, R.H. assembly, panel attachment, on coming tube	1	—	C		AE.6
		Attaching parts for E.A3.80.2327:—					
28D/12515	A25/10C	Bolt, 2 BA	2	—	C		
28M/10288	AGS.2001/C/1	Nut, 2 BA	2	—	C		
28W/9419402	SP.13/C	Washer	2	—	C		
6B/634	†	Compass, G4B	1	—	A		AE.6
		Attaching parts for Ref. 6B/634:—					
28M/10281	AGS.2001/C/3	Nut, 2 BA	3	—	C		
28S/8729	A40/C32	Screw, 2 BA	3	—	C		
6B/556	†	Holder, Deviation Card	1	—	B		AE.6
6B/458	†	Indicator, air position	1	—	A		AE.6
		Attaching parts for Ref. 6B/458:—					
28D/16855	AS.4565/9E	Bolt, 1/4" BSF	2	—	C		
28D/16857	AS.4565/31E	Bolt, 1/4" BSF	1	—	C		
28M/10282	AGS.2001/E/3	Nut, 1/4" BSF	3	—	C		
28W/9419405	SP.15/E	Washer	3	—	C		
6A/3147	†	Indicator, airspeed, Mk.9 H.P.	1	—	A		AE.6
		Attaching parts for Ref. 6A/3147:—					
28D/10570	AS.1247/1C	Bolt, 2 BA	3	—	C		
28M/10281	AGS.2001/C/3	Nut, 2 BA	3	—	C		
10QB/6130	†	Indicator, Unit Type 208	1	—	A		AE.6
		Attaching parts for Ref. 10QB/6130:—					
28S/6350	A40/B12	Screw, 4 BA	4	—	C		
	E.A3.80.2301	PANEL, INSTRUMENT, NAVIGATOR'S, SUB-ASSEMBLY	1	—	—		AE.6
		Spares for:—					
	E.A3.80.535	Bracket, attachment	1	—	—		
	E.A3.80.2305	Bracket, mounting, A.P.I.	1	—	—		
	E.A3.80.2309	Bracket, mounting, Indicator Type 208	1	—	—		
	E.A3.80.2313	Bracket, mounting for compass, G4B	1	—	—		
	E.A3.80.2333	Bracket, mounting for altimeter	1	—	—		
	A. WELLS & CO. LTD.						
10AJ/	MDSM.10	Mounting, equiflex	4	—	—		AE.6
		Attaching parts for E.A3.80.2015:—					
28D/1011242	A25/7E	Bolt, 1/4" BSF	1	—	C		
28D/1011244	A25/9E	Bolt, 1/4" BSF	1	—	C		
28D/1011245	A25/10E	Bolt, 1/4" BSF	1	—	C		
28D/1011246	A25/11E	Bolt, 1/4" BSF	1	—	C		
28M/7002430	AGS.2002/E/1	Nut, 1/4" BSF	3	—	C		
28M/10282	AGS.2001/E/3	Nut, 1/4" BSF	1	—	C		
	E.A3.80.2331	Piece, distance	4	—	—		
28W/9419487	SP.16/E	Washer	2	—	C		

**EQUIPMENT, AIRCRAFT
PRESSURE CABIN EQUIPMENT**

Ref. No.	Part No.	Description						No. off	Matl. Spec.	Cl. of Equip. M.R. L.M.	Plate No.
		1	2	3	4	5	6				
	E.B6.80.5495	PANEL, NAVIGATOR'S INSTRUMENT, ASSEMBLY (MOD. 3258)						1	—	—	
		Spares for this assembly are identical to assembly Part No. E.A3.80.2015 on Page 319, except for the following addition:—									
		Add:—									
5CZ/5003	†	Indicator, Electro-Magnetic						1	—	C	AE.6
	E.A3.80.2043	Pedestal, Transmitter, support						1	—	—	
		Attaching parts for E.A3.80.2043:—									
28D/9436920	A25/1C	Bolt, 2 BA						1	—	C	
28D/9140203	AS.1246/3C	Bolt, 2 BA						4	—	C	
28W/9419475	SP.15/C	Washer						1	—	C	
	E.A3.80.2011	Platform, transmitter support, assembly						1	—	—	
		Attaching parts for E.A3.80.2011:—									
28D/9436920	A25/1C	Bolt, 2 BA						3	—	C	
28D/9133012	A25/3C	Bolt, 2 BA						4	—	C	
28D/1011029	A25/1E	Bolt, 3/8" BSF						1	—	C	
28M/10281	AGS.2001/C/3	Nut, 2 BA						4	—	C	
28W/9418921	SP.13/E	Washer						1	—	C	
28W/9419475	SP.15/C	Washer						4	—	C	
	E.A3.80.647	Washer, special						1	—	—	
	E.A3.80.651	Washer, special						1	—	—	
	E.A3.80.2013	TABLE, NAVIGATOR'S, ASSEMBLY						1	—	—	
		Spares for:—									
8722	E.A3.80.2119	Eyebolt, 2 BA						1	—	C	AE.5
8815	E.A3.80.2171	Pedestal, table						1	—	C	AE.5
		Attaching parts for E.A3.80.2171:—									
28D/9133011	A25/2C	Bolt, 2 BA						10	—	C	
28M/9403520	A27/CP	Nut, 2 BA						10	—	C	
28W/1007983	AGS.162/C	Washer, spring						10	—	C	
28W/9419475	SP.15/C	Washer, 2 BA						10	—	C	
8814	E.A3.80.2091	Slide, table, assembly						1	—	C	AE.5
		Attaching parts for E.A3.80.2091:—									
28D/9133011	A25/2C	Bolt, 2 BA						4	—	C	
28D/1214044	AS.1242/23C	Bolt, 2 BA						3	—	C	
28M/9403520	A27/CP	Nut, 2 BA						7	—	C	
8726	E.A3.80.2097	Saddle piece						1	—	C	AE.5
	AS.2808/5/142	Tube, distance						3	T.35	LM	
8729	EEAS.27/16/DR	Washer						3	—	C	
28W/1007983	AGS.162/C	Washer, spring						7	—	C	
8813	E.A3.80.2169	Slide, table, assembly						1	—	C	AE.5
		Attaching parts for E.A3.80.2169:—									
28D/9133011	A25/2C	Bolt, 2 BA						4	—	C	
28D/1214031	AS.1242/8C	Bolt, 2 BA						3	—	C	
28M/9403520	A27/CP	Nut, 2 BA						7	—	C	
8726	E.A3.80.2097	Saddle, piece						1	—	C	AE.5
28W/1007983	AGS.162/C	Washer, spring						7	—	C	
8811	E.A3.80.2173	Table, folding						1	—	B	AE.5
		Attaching parts for E.A3.80.2173:—									
8725	E.A3.80.2133	Bolt, pivot						2	—	C	AE.5
28M/10288	AGS.2001/C/1	Nut, 2 BA						2	—	C	
	AS.2808/5/012	Piece, distance						2	T.35	LM	
8728	EEAS.28/36/CU	Washer						2	—	C	

**EQUIPMENT, AIRCRAFT
PRESSURE CABIN EQUIPMENT**

Ref. No	Part No	Description	No. off	Matl. Spec.	Cl. of Equip.	Plate No.
					M.R. L.M.	
8812	E.A3.80.2175	Table, fixed	1	—	B	AE.5
		Attaching parts for E.A3.80.2175:—				
28D/9133011	A25/2C	Bolt, 2 BA	1	—	C	
28D/8337	AS.1248/1B	Bolt, 4 BA	6	—	C	
28M/9403520	A27/CP	Nut, 2 BA	1	—	C	
28W/1007983	AGS.162/C	Washer, spring	1	—	C	
	E.B7.80.685	TRAY, GEE-H, TRANSMITTER MOUNTING, ASSEMBLY	1	—	—	
		Spares for:—				
10AJ/	WELLS & CO. HDPM.15	Mounting, equiflex	4	—	—	AE.6
		Attaching parts for H.D.P.M.15:—				
28D/1212752	A25/12J	Bolt, 1/2" BSF	4	—	C	
28M/1011473	A27/JP	Nut, 1/2" BSF	4	—	C	
28W/9419466	SP.13/J	Washer	4	—	C	
	E.B7.80.705	Nut, knurled	2	—	—	
		Attaching parts for E.B7.80.685:—				
28D/1011029	A25/1E	Bolt, 1/2" BSF	16	—	C	
28M/10290	AGS.2001/E/1	Nut, 1/2" BSF	16	—	C	
652	E.A3.80.411	Washer, special	4	L.40	C	AE.6
	E.A3.80.899	EXTINGUISHER, FIRE, ASSEMBLY	—	—	—	
		Spares for:—				
8625	E.A3.80.1211	Bracket, assembly	1	—	C	AE.10
8626	E.A3.80.1213	Bracket, assembly	1	—	C	AE.10
27N/85	†	Bracket, fire extinguisher	1	—	B	AE.10
		Attaching parts for Ref. 27N/85:—				
28D/1212888	AS.1244/7C	Bolt, 2 BA	4	—	C	
28M/10288	AGS.2001/C/1	Nut, 2 BA	4	—	C	
	AS.2810/8/05	Tube, distance	4	T.4	LM	
28W/9419475	SP.15/C	Washer	4	—	C	
27N/70	†	Extinguisher, fire	1	—	A	AE.10
3501	E.A3.80.1989	HANDLE, EMERGENCY, HYDRAULIC PUMP	1	—	B	AE.10
		Spares for:—				
6369	ROMAC B.80	Grip	1	—	C	AE.10
or						
13048	ROMAC B.79	Grip	1	—	C	AE.10
	E.A3.80.1933	HOLDER, COMPASS, CARD, INSTALLATION	—	—	—	
		Spares for:—				
6B/556	†	Holder, compass card	1	—	C	AE.9
or						
6A/1715	†	Holder, compass card	1	—	C	AE.9
	E.A6.80.487	Plate, backing	1	—	—	
	E.A2.80.5141	MOUNTING, CONTROL UNIT, TYPE 522 (MOD. 4046)	1	—	—	
		Spares for:—				
	E.A2.80.5139	Bracket, support (Mod. 4046)	1	—	—	
16768	E.B7.80.312	Bracket, support	1	—	C	
	E.B7.80.313	Plate, attachment	1	—	—	
		Attaching parts for E.B7.80.313:—				
28D/1011029	A25/1E	Bolt, 1/2" BSF	4	—	C	

**EQUIPMENT, AIRCRAFT
PRESSURE CABIN EQUIPMENT**

Ref. No.	Part No.	Description	No. off	Mtl. Spec.	Cl. of Equip.			Plate No.
					1	2	3	
	E.A2.80.283	MOUNTING, CONTROL UNIT, TYPE 526	1	—	—	—	—	
		Spares for:—						
	E.A2.80.281	Plate, mounting	1	—	—	—	—	AE.6
14A/540	†	Wedge, mounting	1	—	—	—	B	
		Attaching parts for Ref. 14A/540:—						
28M/10288	AGS.2001/C/1	Nut, 2 BA	4	—	—	—	C	
28S/9133016	A32/C12	Screw, 2 BA	4	—	—	—	C	
	E.A3.85.15	MOUNTING, DESTRUCTOR, ASSEMBLY	—	—	—	—	—	
		Spares for:—						
8952	E.A3.85.17	BRACKET, MOUNTING, ASSEMBLY	1	—	—	—	C	
		Spares for:—						
	E.A3.85.25	Band, wire	1	—	—	—	—	
	E.A3.85.27	Band, wire	1	—	—	—	—	
	E.A3.80.901	MOUNTING, FIRE AXE, ASSEMBLY	1	—	—	—	—	
		Spares for:—						
27N/1	†	Axe, fire	1	—	—	—	A	AE.10
28E/9513854	AS.3294/8	Clip, spring	1	—	—	—	C	
	NEWWEY 7/7	Fastener	1	—	—	—	—	
8595	E.A3.80.1829	Plate, doubling	1	L.72	—	—	C/MR	AE.10
8596	E.A3.80.1831	Strap, 1" thick	1	Leather	—	—	C/MR	AE.10
	E.B7.80.901	MOUNTING, PERISCOPE, ASSEMBLY	—	—	—	—	—	
		Spares for:—						
6B/2586	†	Mounting, periscope, Mk. 1A	1	—	—	—	A	AE.7
		Attaching parts for 6B/2586:—						
28D/1214510	AS.2920/5E	Bolt, 1/2" BSF	8	—	—	—	C	
	E.B7.80.481	NAVIGATOR'S COMPARTMENT, STARBOARD ARRANGEMENT	—	—	—	—	—	
		Spares for:—						
6B/562	†	Amplifier, for G4B compass	1	—	—	—	A	AE.4
13062	E.B7.81.1655	Bag, stowage, Frame 6	1	—	—	—	B	AE.4
		Attaching parts for E.B7.81.1655:—						
28D/1213045	AS.4566/3B	Bolt, 4 BA	4	—	—	—	C	
28M/10318	AGS.2002/B/3	Nut, 4 BA	4	—	—	—	C	
	AS.2809/4/035	Tube, distance	4	L.62	—	—	LM	
28W/9419474	SP.15/B	Washer	4	—	—	—	C	
		Spares for:—						
13062	E.B7.81.1655	Bag, stowage, Frame 8	1	—	—	—	B	AE.4
		Attaching parts for E.B7.81.1655:—						
28D/1213473	AS.1249/1/3	Bolt, 4 BA	4	—	—	—	C	
28M/10318	AGS.2002/B/3	Nut, 4 BA	4	—	—	—	C	
28W/9419474	SP.15/B	Washer	4	—	—	—	C	
	E.A3.80.1327	CONTROL-UNIT, G4B, INSTALLATION	1	—	—	—	—	
		Spares for:—						
6B/408	†	Panel, control, Type A	1	—	—	—	A	
		Attaching parts for Ref. 6B/408:—						
28S/1011490	A.32/C16	Screw, 2 BA	4	—	—	—	C	
		Spares for:—						
14A/540	†	Plate, wedge	3	—	—	—	B	
		Attaching parts for Ref. 14A/540:—						
28M/10288	AGS.2001/C/1	Nut, 2 BA	4	—	—	—	C	
28S/9133016	A32/C12	Screw, 2 BA	4	—	—	—	C	

Restricted

Ref. No.	Part No.	Description						No. off	Matl. Spec.	Cl. of Equip.	Plate No.
		1	2	3	4	5	6			M.R.	

Restricted

**EQUIPMENT, AIRCRAFT
PRESSURE CABIN EQUIPMENT**

Ref. No.	Part No.	Description	No. off	Matl. Spec.	Cl. of Equip.		Plate No
					M.R.	L.M.	
		1 2 3 4 5 6					
	E.B7.80.821	STOWAGE, PERISCOPE, ASSEMBLY	1	—	—		
		Spares for:—					
26618	E.B7.80.833	Bracket	1	—	C		
28K/6184	SP.7/Y/B	Fork	1	—	C		
		Attaching parts for SP.7/Y/B:—					
28M/9403519	A27/BP	Nut, 4 BA	1	—	C		
26623	E.B7.80.843	Knob	1	—	C		AE.7
26622	E.B7.80.841	Lever	1	—	C		AE.7
		Attaching parts for E.B7.80.841:—					
28P/5488	SP.4/Z/A/1	Pin	1	—	C		
28P/5489	SP.4/Z/A/2	Pin	1	—	C		
15496	EEAS.28/7ER	Washer, special	2	L.72	C		
26619	E.B7.80.835	Lock	1	—	C		AE.7
26617	E.B7.80.831	Plate	2	—	C		AE.7
26620	E.B7.80.837	Rod	1	—	C		AE.7
26621	E.B7.80.839	Spring	1	—	C		AE.7
	E.B7.80.823	Tube, assembly	1	—	—		
		Attaching parts for E.B7.80.823:—					
28D/12811	A25/16B	Bolt, 4 BA	2	—	C		
28M/10287	AGS.2001/B/1	Nut, 4 BA	2	—	C		
28W/9419474	SP.15/B	Washer	2	—	C		
	E.B7.80.483	STRUCTURE, GREEN SATIN AND ELECTRICAL EQUIPMENT, INSTALLATION	—	—	—		
		Spares for:—					
	E.B7.80.533	Floor, bottom, assembly	1	—	—		
	E.B7.80.501	MOUNTING, TOP, ASSEMBLY	1	—	—		
		Spares for:—					
	E.B7.80.505	Door, aft, assembly	1	—	—		
	E.B7.80.503	Door, forward, assembly	1	—	—		
	E.B7.80.529	Hinge	1	—	—		
	E.B7.80.531	Hinge	1	—	—		
28FP/1	A.403	Pin, "pip" Type A	2	—	C		
29H/4100	TERRY No. 169-1"	Ring, split	4	—	C		
	MARCONI						
	ED9/9689	Tray, mounting	1	—	—		
		Attaching parts for ED9/9689:—					
28D/12718	A25/12J	Bolt, 3/8" BSF	4	—	C		
28M/10292	AGS.2001/J/1	Nut, 3/8" BSF	4	—	C		
28W/9419466	SP.13/J	Washer	4	—	C		
10AC/140	†	Washer, check	4	—	C		
6B/437	†	Tray, mounting	1	—	B		AE.4
		Attaching parts for 6B/437:—					
28D/9745	AS.1246/1E	Bolt, 1/4" BSF	4	—	C		
28M/10290	AGS.2001/E/1	Nut, 1/4" BSF	4	—	C		
28W/9418921	SP.13/E	Washer	4	—	C		
	E.A2.80.501	PANELS, INSTRUMENT, PILOT'S, ASSEMBLY (MOD. 1411)	—	—	—		
		Spares for:—					
27H/2952	100P/4	Mounting, anti-vibration, rubber, 4 lbs. light duty	6	—	B		AE.4
		Attaching parts for 100.P/4:—					
28D/1010658	A25/1B	Bolt, 4 BA	4	—	C		
28M/10287	AGS.2001/B/1	Nut, 4 BA	4	—	C		

**EQUIPMENT, AIRCRAFT
PRESSURE CABIN EQUIPMENT**

Ref. No.	Part No.	Description	No. off	Matl. Spec.	Cl. of Equip.		Plate No.
					M.R.	L.M.	
		1 2 3 4 5 6					
27H/2784	150P/8	Mounting, anti-vibration, rubber, 8 lbs. medium duty	4	—	B		AE.2
27H/2786	150P/12	Mounting, anti-vibration, rubber, 12 lbs. medium duty	4	—	B		AE.2
		Attaching parts for 150P/8 and 150P/12:—					
28D/16063	A61/2B	Bolt, 4 BA	4	—	C		
28M/10280	AGS.2001/B/3	Nut, 4 BA	4	—	C		
		E.B7.80.457					
		Panel, control, V.H.F. assembly	1	—	—		
		Attaching parts for E.B7.80.457:—					
28D/9436920	A25/1C	Bolt, 2 BA	4	—	C		
28M/10288	AGS.2001/C/1	Nut, 2 BA	4	—	C		
		E.A2.80.5021					
		PANEL, ENGINE, INSTRUMENT AND WIRING, ASSEMBLY (MOD. 2713)	1	—	—		
		Spares for:—					
5E/4183	†	Cable, Uninyvin 20	QR	—	C		
5E/4185	†	Cable, Uninyvin 16	QR	—	C		
5L/9951110	†	Filament, 6 v. 24 w.	2	—	C		
6A/3868	AG/29	Gauge, fuel, contents	1	—	A		AE.9
6A/3856	AG/30	Gauge, fuel, contents	1	—	A		AE.9
6A/7516	AG/144	Gauge, fuel, contents	1	—	A		AE.9
		Attaching parts for AG/29, AG/30 and AG/144:—					
28S/2425	A44/B24	Screw, 4 BA	4	—	C		
6A/2714	I.ACR	Gauge, oil, pressure	2	—	A		AE.9
		Attaching parts for I.ACR:—					
28S/2425	A44/B24	Screw, 4 BA	4	—	C		
33393	E.A3.81.5787	Guard, assembly	4	—	C		
6A/2801	SIS.3596	Indicator, engine, speed	2	—	A		AE.9
		Attaching parts for S.I.S. 3596:—					
5K/87	AGS.1558/0	Nut, gland	1	—	C		
28S/2425	A44/B24	Screw, 4 BA	4	—	C		
6A/1674	SIS.3652	Indicator, jet temperature	1	—	A		AE.9
		Attaching parts for Ref. 6A/1674:—					
28M/10275	AGS.2001/C/4	Nut, 2 BA	4	—	C		
28S/15341	A44/C14	Screw, 2 BA	4	—	C		
5CX/1553	†	Lamp, warning, Type B	2	—	B		AE.9
		E.A2.80.5027					
		PANEL, ENGINE INSTRUMENT, ASSEMBLY OF MOUNTING BRACKETS	1	—	—		
		Spares for:—					
		Panel, engine instrument	1	—	—		
16683	E.A2.80.5023	Plate	2	—	C		
		E.A3.80.1893					
		Attaching parts for E.A3.80.1893:—					
28M/10273	AGS.2001/A/4	Nut, 6 BA	4	—	C		
28S/2432	A44/A28	Screw, 6 BA	4	—	C		
5X/7145	2CZ 111224	Plug, assembly, B size, 9-way	2	—	B		AE.2
5X/7151	2CZ.111226	Plug, assembly, C size, 12-way	2	—	B		AE.2

**EQUIPMENT, AIRCRAFT
PRESSURE CABIN EQUIPMENT**

Ref. No.	Part No.	Description	No. off	Matl. Spec.	Cl. of Equip.	Plate No.
					M.R. L.M.	
4753	E.A3.81.2311	Reflector	1	DTD.339	C	AE.2
4624	E.A3.81.2399	Reflector	1	DTD.339	C	AE.2
	E.A2.81.879	Screen	1	—	—	
		Attaching parts for E.A2.81.879:—				
28S/2437	A44/B32	Screw, 4 BA	2	—	C	
5K/26	AGS.1651/3	Sleeve	2	—	C	
5K/9107065	EEAS.146/A	Sleeve, 1/2" long	66	—	C	AE.2
5K/9107415	Z.49428	Sleeve, cable	35	—	C	
5CW/4179	ROTAX D.5406	Switch, toggle	1	—	A	AE.9
5CW/6431	†	Switch, toggle	4	—	B	AE.9
		Attaching parts for Refs. 5CW/4179 and 5CW/6431:—				
5CW/5252	HV.3711	Cap, Helvin dolly	1	—	C	
28S/2419	A44/B20	Screw, 4 BA	2	—	C	
15493	EEAS.28/2GP	Washer	2	—	C	
28W/9419448	AGS.2035/B	Washer	2	—	C	
		Attaching parts for E.A2.80.5021:—				
28D/1011011	A25/8B	Bolt, 4 BA	2	—	C	
28D/9140639	A25/11B	Bolt, 4 BA	1	—	C	
28M/10287	AGS.2001/B/1	Nut, 4 BA	1	—	C	
28M/10280	AGS.2001/B/3	Nut, 4 BA	2	—	C	
	E.A3.80.1769	Washer, special	10	—	—	
28W/9419474	SP.15/B	Washer	2	—	C	
	E.A2.80.503	PANEL, FLYING, ASSEMBLY	1	—	—	
		Spares for:—				
6A/7018	†	Altimeter, Mk. 19C (Mod. 3750)	1	—	A	AE.9
33H/56	†	Cement, Bostik	QR	—	C	
6A/2197	†	Clock, fluorescent, Mk. 4	1	—	A	AE.9
or						
6A/2958	†	Clock, fluorescent, Mk. 4B	1	—	A	AE.9
or						
6A/2089	CHX.2104	Clock, fluorescent, Mk. 4B	1	—	A	AE.9
5X/2790	Z.22634	Grommet, Helsyn, dummy	2	—	C	
5CW/4222	ZA.2401	Guard, locking, switch	1	—	B	AE.9
6A/3160	430FL	Indicator, aileron, trim	1	—	A	AE.9
		Attaching parts for 430FL:—				
28S/2425	A44/B24	Screw, 4 BA	4	—	C	
6A/4722	†	Indicator, airspeed, Mk. 9M	1	—	A	AE.9
or						
6A/3147	†	Indicator, airspeed, Mk. 9H *P	1	—	A	AE.9
		Attaching parts for Refs. 6A/3147 and 6A/4722:—				
28M/10275	AGS.2001/C/4	Nut, 2 BA	4	—	C	
28S/2436	A44/C32	Screw, 2 BA	4	—	C	
	AS.2807-5-070	Tube, distance	4	—	LM	
5CZ/5073	EL.1810	Indicator, electro-magnetic, Type A2	2	—	B	AE.9
5CZ/5003	C.5165/Y	Indicator, electro-magnetic, Type C1	1	—	B	AE.9
6A/2924	218FL	Indicator, flap, position	1	—	A	AE.9
		Attaching parts for 218FL:—				
28S/2431	A44/B28	Screw, 4 BA	4	—	C	

**EQUIPMENT, AIRCRAFT
PRESSURE CABIN EQUIPMENT**

Ref. No.	Part No.	Description	No. off	Matl. Spec.	Cl. of Equip.		Plate No.
					M.R.	L.M.	
		1 2 3 4 5 6					
5180	E.A3.90.26/1	Indicator, pilot's special, (GEE-H)	1	—	A		AE.9
28S/2127	A45/B16	Attaching parts for E.A3.90.26/1:— Screw, 4 BA	2	—	C		
6A/5845	†	Indicator, rate of climb Mk. 3 (P)	1	—	A		AE.9
28S/2431	A44/B28	Attaching parts for Ref. 6A/5845:— Screw, 4 BA	4	—	C		
6A/3161	431FL	Indicator, rudder, trim	1	—	A		AE.9
28S/2425	A44/B24	Attaching parts for 431FL:— Screw, 4 BA	4	—	C		
6A/5621	813FL	Indicator, tail trim (Mod. 2301)	1	—	A		AE.9
28S/2425	A44/B24	Attaching parts for 813FL:— Screw, 4 BA	4	—	C		
6A/2945	†	Indicator, turn and slip Mk.2	1	—	A		AE.9
28S/2431	A44/B28	Attaching parts for 6A/2945:— Screw, 4 BA	4	—	C		
28W/1200328	AGS.2037/B	Washer, shakeproof	4	—	C		
6A/3384	SIS.6146	Machmeter, Mk.2	1	—	A		AE.9
28S/2431	A44/B28	Attaching parts for S.I.S. 6146:— Screw, 4 BA	4	—	C		
	E.A2.80.505	Panel, flying	1	—	—		AE.9
	E.A2.80.507	Plate, adaptor, instrument	1	—	—		
28M/10274	AGS.2001/B/4	Attaching parts for E.A2.80.507:— Nut, 4 BA	4	—	C		
28S/2413	A44/B16	Screw, 4 BA	4	—	C		
5CW/4179	SIS.5495	Switch, S.P.C.O.	1	—	A		AE.9
		Attaching parts for S.I.S. 5495:—					
5CW/5252	HV.3711	Cap, Helvin	1	—	C		
28S/9145185	A44/B12	Screw, 4 BA	2	—	C		
28W/1200328	AGS.2037/B	Washer, shakeproof	2	—	C		
32B/498	†	Thread, waxed linen, No. 18	QR	—	C		
5CW/4327	†	Transfer, "on"	1	—	C		
5CW/5000	†	Transfer, "oxy"	1	—	C		
6B/561	†	Unit, gyro, Type B	1	—	A		AE.9
		Attaching parts for 6B/561:—					
28S/2430	A44/C28	Screw, 2 BA	4	—	C		
6A/3385	†	Unit, gyro horizon, Type 3B	1	—	A		AE.9
		Attaching parts for 6A/3385:—					
28S/2430	A44/C28	Screw, 2 BA	4	—	C		
7724	EEAS.28/2EPH	Washer, special	2	L.16	C		
		Attaching parts for E.A2.80.503:—					
28D/12128	A61/15E	Bolt, 1/4" BSF	4	—	C		
28M/10282	AGS.2001/E/3	Nut, 1/4" BSF	4	—	C		
6918	EEAS.28/51FR	Washer, special	10	L.72	C		
	EEAS.28/51JR	Washer, special	2	L.72	—		

**EQUIPMENT, AIRCRAFT
PRESSURE CABIN EQUIPMENT**

Ref. No.	Part No	Description	No. off	Matl. Spec.	Cl. of Equip.	Plate No.
					M.R. L.M.	
	E.A2.80.60I	PANEL, FIXED, STARBOARD, ASSEMBLY	1	—	—	
		Spares for:—				
6A/2709	SIS.6104	Altimeter, cabin, Mk. 18	1	—	A	AE.9
		Attaching parts for S.I.S. 6104:—				
28S/1013430	A44/B20	Screw, 4 BA	4	—	C	
28W/9419448	AGS.2035/B	Washer, shakeproof	4	—	C	
	5CZ/430	Block, terminal, Type B, 2-way	2	—	B	AE.2
		Attaching parts for 5CZ/430:—				
28M/10308	AGS.2002/A/4	Nut, 6 BA	2	—	C	
28S/2152	A45/A32	Screw, 6 BA	2	—	C	
	5E/4183	Cable, Uninyvin, 20	QR	—	C	
	5E/4185	Cable, Uninyvin, 16	QR	—	C	
5L/9951284	†	Filament, lamp, 28 v. 3.5 w	2	—	B	
6A/2693	SIS.3592	Gauge, hydraulic, pressure Mk. 14LL	2	—	B	AE.9
		Attaching parts for S.I.S. 3592:—				
28S/2419	A44/B20	Screw, 4 BA	4	—	C	
28W/9419448	AGS.2035/B	Washer, shakeproof	4	—	C	
	5K/	Grommet, Helsyn, (Mod. 3703)	1	—	—	
5CW/4222	ZA.2401	Guard, locking	1	—	B	AE.9
6A/3942	SMITH 505FL	Indicator, cabin air.	1	—	B	AE.9
		Attaching parts for 505FL:—				
28S/1013430	A44/B20	Screw, 4 BA	4	—	C	
	E.A2.80.603	Panel, instrument, starboard	1	—	—	
		(Can be made from E.B7.80.437)				
5X/6091	CZ.28108	Plug, free, size C 14-way (Pre-Mod. 3378)	2	—	B	
5X/7152	2CZ.111227	Plug, free, size C 14-way (Mod. 3378)	2	—	B	AE.2
5X/1005131	Z.49428	Sleeve, 4-7 amp.	23	—	C	AE.2
5X/3146	Z.49397	Sleeve, 7-19 amp.	3	—	C	AE.2
5K/9107065	†	Sleeve, 3/4" long	62	—	C	AE.2
5F/2279	HV.3254	Strapping	QR	—	C	
5F/2307	NY.3255	Stud	24	—	C	
5CW/5057	C.51627	Switch, push, Type B Mk. 3	1	—	B	AE.9
		Attaching parts for C51627:—				
28M/1006962	A53/Z	Nut, 8 BA	2	—	C	
28S/1006977	A43/Z8	Screw, 8 BA	2	—	C	
28W/11121	AGS.2037/AA	Washer, shakeproof	2	—	C	
	5CW/4179	Switch, S.P.	3	—	A	AE.9
		Attaching parts for D.5406:—				
5CW/5252	HV.3711	Cap, dolly, Helvin	1	—	C	
28S/9145185	A44/B12	Screw, 4 BA	2	—	C	
8479	EEAS.28/2HR	Washer, packing	2	—	C	
28W/9419448	AGS.2035/B	Washer, shakeproof	2	—	C	
	5CW/5763	Switch, pushbutton, fire extinguisher	2	—	B	AE.2
		Attaching parts for 5CW/5763:—				
28S/9145185	A44/B12	Screw, 4 BA	4	—	C	
28W/9419448	AGS.2035/ B	Washer, shakeproof	4	—	C	

**EQUIPMENT, AIRCRAFT
PRESSURE CABIN EQUIPMENT**

Ref. No.	Part No.	Description	No. off	Matl. Spec.	Cl. of Equip.		Plate No.
					M.R.	L.M.	
		1 2 3 4 5 6					
5CW/4178	SIS.5492	Switch, toggle	1	—	B		AE.9
		Attaching parts for 5CW/4178:—					
5CW/5252	HV.3711	Cap, dolly, Helvin	1	—	C		
28S/9145185	A44/B12	Screw, 4 BA	2	—	C		
8479	EEAS.28/2HR	Washer, packing	2	—	C		
28W/9419448	AGS.2035/B	Washer, shakeproof	2	—	C		
5CW/4528	†	Window, F1	1	—	C		AE.2
5CW/4529	†	Window, F2	1	—	C		AE.2
		Attaching parts for E.A.2.80.601:—					
28D/9140202	AS.1246/1C	Bolt, 2 BA	5	—	C		
28D/9436920	A25/1C	Bolt, 2 BA	3	—	C		
19968	E.A.4.80.377	Plate, blanking	3	—	C		AE.2
		Attaching parts for E.A.4.80.377:—					
28M/10280	AGS.2001/B/3	Nut, 4 BA	4	—	C		
28S/14318	A41/B16	Screw, 4 BA	3	—	C		
28S/6577	A40/B16	Screw, 4 BA	1	—	C		
12611	E.B.70.497	Snub, pilot's, instrument panel, buffer	4	—	C		AE.2
	E.A.2.80.17	PANEL, UNDERCARRIAGE INSTRUMENT, ASSEMBLY	1	—	—		
		Spares for:—					
5CW/4831	E.A.3.81.2081	Bracket, switch, assembly (flaps)	1	—	C		
		Attaching parts for E.A.3.81.2081:—					
28S/9419435	A31/B12	Screw, 4 BA	4	—	C		
28W/9419448	AGS.2035/B	Washer, shakeproof	4	—	C		
8498	E.A.2.80.271	Bracket, flap, switch mounting	1	—	C		
5E/4183	†	Cable, Uninyvin, 20	QR	—	C		
5E/4185	†	Cable, Uninyvin, 16	QR	—	C		
5L/9951284	†	Filament, lamp, 28v. 35w.	9	—	B		
5CX/5164	†	Indicator, undercarriage position, Type D1	1	—	B		
		Attaching parts for 5CX/5164:—					
28S/15094	A40/B14	Screw, 4 BA	4	—	C		
5CW/4833	E.A.3.81.2075	Knob, switch	3	—	C		
		Attaching parts for E.A.3.81.2075:—					
28S/1005022	A31/B28	Screw, 4 BA	1	—	C		
28W/1007776	AGS.2034/B	Washer, shakeproof	1	—	C		
		THERMOTANKS					
5042	DAR.2	Louvre, punkah	1	—	B		
		Attaching parts for DAR.2:—					
28D/14885	AS.2922/4B	Bolt, 4 BA	3	—	C		
28M/10287	AGS.2001/B/1	Nut, 4 BA	3	—	C		
28W/12664	SP.14/B	Washer	3	—	C		
8601	E.A.1.80.321	Panel, removable	1	—	C		
5X/6091	CZ.28108	Plug, free, size C, 14-way (Pre-Mod. 3378)	1	—	B		
5X/7152	2CZ.111227	Plug, free, size C, 14-way (Mod. 3378)	1	—	B		
5K/9107065	†	Sleeve, 1/2" long	42	—	C		
5X/1005131	Z.49428	Sleeve, cable	9	—	C		

**EQUIPMENT, AIRCRAFT
PRESSURE CABIN EQUIPMENT**

Ref. No.	Part No.	Description						No. off	Matl. Spec.	Cl. of Equip.		Plate No.
		1	2	3	4	5	6			M.R.	L.M.	
5X/3146	Z.49397	Sleeve, cable						2	—	C		
	DOWTY											
5CW/4506	C.2524Y	Switch, undercarriage						1	—	A		
		Attaching parts for C.2524Y:—										
28S/1212707	A40/B14	Screw, 4 BA						2	—	C		
	E.A3.81.2071	Switch, assembly						1	—	—		
		Consisting of:—										
28S/1200055	A33/A6	Screw, 6 BA						2	—	C		
5CW/6435	†	Switch, D.P.						1	—	B		
5CW/4835	E.A3.81.2073	Toggle						1	—	B		
	E.A3.80.2853	SWITCH, MASTER, UNDERCARRIAGE AND REARRANGEMENT OF FLAP SWITCH INSTALLATION (MOD. 2392)						1	—	—		
		Spares for:—										
8498	E.A2.80.271	Bracket, switch mounting, assembly						1	—	C		
		Attaching parts for E.A2.80.271:—										
28D/1010658	A25/1B	Bolt, 4 BA						3	—	C		
28M/10287	AGS.2001/B/1	Nut, 4 BA						3	—	C		
5E/4185	†	Cable, Uninyvin 16						QR	—	C		
5CW/5480	†	Guard, switch						1	—	B		
		Attaching parts for 5CW/5480:—										
28S/1009986	A32/B6	Screw, 4 BA						4	—	C		
5K/9107065	EEAS.146/A	Sleeve, 3/4" long						2	—	C		
5CW/6435	†	Switch, D.P.						1	—	B		
	E.A2.10.707	RAMP, BOMB AIMER'S, ASSEMBLY						1	—	—		
		Spares for:—										
6749	E.A2.10.709	Spigot, assembly						2	—	C		AE.1
		Attaching parts for E.A2.10.707:—										
28D/9140202	AS.1246/1C	Bolt, 2 BA						4	—	C		
	E.A2.80.5145	SEATING IN PRESSURE CABIN, ASSEMBLY (MOD. 4046)						—	—	—		
		Spares for:—										
8583	E.A1.80.867	Bracket, top attachment, pilots' seat rail						2	—	C		
		Attaching parts for E.A1.80.867:—										
28D/9133013	A25/5C	Bolt, 2 BA						2	—	C		
28M/10328	AGS.2002/C/1	Nut, 2 BA						2	—	C		
16680	E.A3.80.1569	Packing, fillet						2	—	C		
28W/9419475	SP.15/C	Washer						2	—	C		
	E.A2.80.5135	Bracket, pipe clamp support						1	L72	—		
		Attaching parts for E.A2.80.5135:—										
28D/9436920	A25/1C	Bolt, 2 BA						2	—	C		
28W/9419475	SP.15/C	Washer						2	—	C		
12K/1277	†	Cartridge, set, No. 3, Mk. 1						1	—	C		
27L/1396		Cartridge set, No. 3, Mk. 4 (Pre M.B. Mod. ES/A3)						2	—	C		
27L/1425		Cartridge set, No. 10, Mk. 1 (Post M.B. Mod. ES/A3)						2	—	C		
41866	E.G5.80.177	Clamp, pipe, assembly						1	—	C		
		Attaching parts for E.G5.80.177										
28D/9435711	A25/10B	Bolt, 4 BA						2	—	C		
28M/10287	AGS.2001/B/1	Nut, 4 BA						2	—	C		
28W/9419465	SP.13/B	Washer						2	—	C		
5K/3397	AS.3360/C3C	Lead, bonding						1	—	C		

**EQUIPMENT, AIRCRAFT
PRESSURE CABIN EQUIPMENT**

Ref. No.	Part No.	Description	No. off	Matl. Spec.	Cl. of Equip.	Plate No.
					M.R. L.M.	
		1 2 3 4 5 6				
	E.B7.80.5707	MECHANISM, SINGLE LEVER EJECTION, INSTALLATION (MOD. 3951)	—	—	—	
		Spares for:—				
34835	E.A3.80.6409	Box, sealing, cocking link, pressure bulkhead ...	1	—	—	
	E.A3.80.6423	Cable, assembly, secondary firing ...	1	—	C	
		Attaching parts for E.A3.80.6423:—				
28P/9140979	SP.4/Z/B4	Pin, shackle ...	2	—	C	
28P/1021104	SP.90C3	Pin, split ...	2	—	C	
28W/9419402	SP.13/C	Washer ...	2	—	C	
	42532	E.B7.80.5711				
		Conduit, convoluted, assembly ...	1	—	C	
		Attaching parts for E.B7.80.5711:—				
28D/1008149	A25/2B	Bolt, 4 BA ...	8	—	C	
28M/10287	AGS.2001/B/1	Nut, 4 BA ...	8	—	C	
34849	E.A3.80.6429	Seal x 1/8" thick ...	1	Neoprene	C	
28W/9419474	SP.15/B	Washer ...	8	—	C	
	E.A3.80.6431	Washer, packing x 16 SWG ...	1	L.72	—	
	E.A3.80.6407	Cover, mechanism, assembly ...	1	—	—	
		Attaching parts for E.A3.80.6407:—				
28M/1006473	A27/CT	Nut, 2 BA ...	4	—	C	
1468	EEAS.1/2C	Screw, 2 BA ...	4	S.96	C	
28W/9419454	SP.10/C	Washer ...	4	—	C	
	34838	E.A3.80.6417				
	42531	E.A3.80.6413				
		Lever, cocking, assembly ...	1	—	C	
		LINK, COCKING, ASSEMBLY ...	1	—	C	
		Spares for:—				
	E.A3.80.6461	Socket ...	1	S.1	—	
		Attaching parts for E.A3.80.6413:—				
	E.A3.80.6411	Bolt, special ...	3	S.95	—	
28M/10288	AGS.2001/C/1	Nut, 2 BA ...	3	—	C	
28P/19599	SP.90/E3	Pin, split ...	3	—	C	
28W/9419404	SP.16/C	Washer ...	2	—	C	
28W/9418920	SP.10E	Washer ...	3	—	C	
	E.A3.81.6037	Mechanism, assembly ...	1	—	—	
		Consisting of:—				
	42534	E.A3.81.6047				
	E.A3.81.6061	Arm, cam-follower, assembly ...	1	—	C	
	E.A3.81.6063	Block, guide ...	1	—	—	
	E.A3.81.6043	Block, guide ...	1	—	—	
		Body ...	1	—	—	
28D/9435711	A25/10B	Bolt, 4 BA ...	2	—	C	
28D/1011026	A25/26C	Bolt, 2 BA ...	3	—	C	
28D/12282	AS.1242/10B	Bolt, 4 BA ...	1	—	C	
28D/1214046	AS.1242/26C	Bolt, 2 BA ...	2	—	C	
34840	E.A3.81.6083	Mask, assembly ...	1	—	C	
28M/1006504	A27/BT	Nut, 4 BA ...	3	—	C	
28M/10328	AGS.2002/C/1	Nut, 2 BA ...	5	—	C	
34842	E.A3.81.6069	Pin, cocking ...	1	—	C	
34841	E.A3.81.6067	Pin, locating ...	2	—	C	
28P/5489	SP.4/Z/A2	Pin, shackle ...	1	—	C	
28P/9710567	SP.90/C4	Pin, split ...	2	—	C	
28P/9451803	SP.28/E6	Pin, taper ...	1	—	C	
	E.A3.81.6039	Plate, back ...	1	—	—	

**EQUIPMENT, AIRCRAFT
PRESSURE CABIN EQUIPMENT**

Ref. No.	Part No.	1 2 3 4 5 6	Description	No. off	Matl. Spec.	Cl. of Equip.	Plate No.
						M.R. L.M.	
4885	E.A3.80.477		Packing, fillet	2	—	C	AE.8
4886	E.A3.80.479		Packing, fillet	6	—	C	AE.8
3897	E.A3.80.481		Packing, fillet	20	—	C	AE.8
3935	E.A3.10.571		Shim, laminated	1	—	C	AE.8
28W/9419405	SP.15/E		Washer, 1/4"	16	—	C	
28W/9419476	SP.15/G		Washer, 7/16"	6	—	C	
28W/9419478	SP.15/L		Washer, 7/16"	5	—	C	
28W/9419487	SP.16/E		Washer, 1/4"	8	—	C	
27L/50129	E/MBEU/1902EE		Rail, guide, pilots	1	—	B	
			Attaching parts for E/MBEU/1902EE:—				
28D/1011256	A25/5G		Bolt, 1/8" BSF	2	—	C	
28D/1006583	A25/5J		Bolt, 3/8" BSF	2	—	C	
28M/10291	AGS.2001/G/1		Nut, 3/8" BSF	2	—	C	
28M/10292	AGS.2001/J/1		Nut, 3/8" BSF	2	—	C	
28W/9419477	SP.15/J		Washer	2	—	C	
	E.A2.10.1885		Rail, seat, dummy, assembly	1	—	—	
			Attaching parts for E.A2.10.1885:—				
28D/1011030	A25/2E		Bolt, 1/4" BSF	9	—	C	
28D/1011238	A25/3E		Bolt, 1/4" BSF	8	—	C	
28D/1008151	A25/4E		Bolt, 1/4" BSF	5	—	C	
28D/1011240	A25/5E		Bolt, 1/4" BSF	1	—	C	
28D/7002427	A25/6G		Bolt, 5/16" BSF	2	—	C	
28D/1213582	A25/5L		Bolt, 1/8" BSF	5	—	C	
28M/10290	AGS.2001/E/1		Nut, 1/4" BSF	3	—	C	
28M/10293	AGS.2001/L/1		Nut, 7/16" BSF	5	—	C	
3935	E.A3.10.571		Shim, laminated	1	—	C	AE.8
28W/9419405	SP.15/E		Washer	12	—	C	
28W/9419476	SP.15/G		Washer	2	—	C	
28W/9419478	SP.15/L		Washer	5	—	C	
28W/9419487	SP.16/E		Washer	8	—	C	
28W/6317	AGS.585/D		Washer, spring	2	—	C	
	E.B7.80.913		RESTRAINT, LEG, EQUIPMENT, NAVIGATOR'S (MOD. 2584 FOR AIRCRAFT EMBODY- ING MOD. 1422 AND MOD. 610)	—	—	—	
			Spares for:—				
27L/510	A/MBEU/3666		Bracket, floor	2	—	C	AE.8
			Attaching parts for A/MBEU/3666:—				
28D/1010030	A25/7C		Bolt, 2 BA	4	—	C	
27L/2729	B/MBEU/17353		Line, leg (Mod. 3949)	2	—	C	
27L/80	C/MBEU/1434		Pin	2	—	C	AE.8
	E.A2.80.559		RESTRAINT, LEG, EQUIPMENT, NAVIGATORS (MOD. 2702 FOR AIRCRAFT EMBODY- ING MOD. 1422, NOT EMBODYING MOD. 610)	—	—	—	
			Spares for:—				
27L/510	A/MBEU/3666		Bracket, floor	2	—	C	AE.8
			Attaching parts for A/MBEU/3666:—				
28D/1010030	A25/7C		Bolt, 2 BA	3	—	C	
28D/1011019	A25/8C		Bolt, 1 BA	1	—	C	
27L/2729	B/MBEU/17353		Line, leg (Mod. 3949)	2	—	C	
27L/80	C/MBEU/1434		Pin	2	—	C	AE.8

**EQUIPMENT, AIRCRAFT
PRESSURE CABIN EQUIPMENT**

Ref. No.	Part No.	Description						No. off	Mati. Spec.	Cl. of Equip. M.R. L.M.	Plate No.
		1	2	3	4	5	6				
	E.A2.80.5143	RESTRAINT, LEG, EQUIPMENT, PILOT'S ...						—	—	—	
	E.G5.80.157	Spares for:— BRACKET, LEG RESTRAINT, INSTALLATION						—	—	—	
	MARTIN BAKER A/MBEU/3666	Spares for:— Bracket, floor						2	—	C	AE.8
27L/510		Attaching parts for A/MBEU/3666:—									
28D/9150644	A25/9C	Bolt, 2 BA						4	—	C	
	MARTIN BAKER B/MBEU/17353	Line, leg						2	—	C	
27L/2729		Pin						2	—	C	AE.8
27L/80	C/MBEU/1434										
27L/50157	†	Seat, ejection, type 2CA2, Mk. 2, navigator's (Mod. 3951)						1	—	A	
27L/50123	†	Seat, ejection, Mk. 2, CA1, pilot's						1	—	A	
27L/1445196	MARTIN BAKER C76HC-MB	Union, Emerto, 1/2"						2	—	C	
	MARTIN BAKER MBCJ.159	Unit, combined time release and breech						1	—	A	
27L/5021		Attaching parts for MBCJ.159:—									
28D/1212830	AS.1242/13E	Bolt, 1/2" BSF						2	—	C	
28D/1212834	AS.1242/17E	Bolt, 1/2" BSF						1	—	C	
28M/10290	AGS.2001/E/1	Nut, 1/2" BSF						3	—	C	
28W/9418921	SP.13/E	Washer						3	—	C	
26DK/11172	EEAS.239/1A	Washer, "D" for pipe clips						3	—	C	
28508	E.A3.80.1231	SEAT, MAP READER'S, ASSEMBLY						1	—	A	AE.11
		Spares for:—									
4537	E.A3.80.1289	CABLE, BOWDEN, ASSEMBLY						1	—	B	AE.11
		Consisting of:—									
	E.A3.80.1293	Bracket						1	L.72	—	AE.11
29H/2184	P.19/52A	Cable, "Bowdenite" non-fray, inner						QR	—	C	
29H/1878	B.52	Conduit, outer						QR	—	C	
29H/1893	PN.980	Ferrule, plain						2	—	C	
29H/2154	PN.3341A	Nipple, spherical						2	—	C	
29H/1900	PN.1159	Stop, plain adjusting						1	—	C	AE.11
	E.A3.80.1291	Washer, tapped radiused						1	S.11	—	AE.11
		Attaching parts for E.A3.80.1289:—									
28D/1010658	A25/1B	Bolt, 4 BA						2	—	C	
5542	EEAS.143/6	Clip						4	L.16	C	
28M/9403519	A27/BP	Nut, 4 BA						2	—	C	
28S/1214062	4101/6	Screw, self topping x 3/8"						2	—	C	
28W/1010155	AGS.162/B	Washer						2	—	C	
2165	EEAS.112/6	Clip, pipe 1/2" single						4	L.16	C	
4538	E.A3.80.1237	LOCK, BOTTOM, ASSEMBLY						1	—	C	AE.11
		Spares for:—									
	E.A3.80.1249	Bracket, half bottom, aft						1	L.40	—	
	E.A3.80.1250	Bracket, half bottom, forward						1	L.40	—	
		Attaching parts for E.A3.80.1249 and E.A3.80.1250 (per pair)									
	E.A3.80.1255	Bolt, special						2	S.11	—	
28M/9403520	A27/CP	Nut, 2 BA						2	—	C	
28W/1007983	AGS.162/C	Washer						2	—	C	

**EQUIPMENT, AIRCRAFT
PRESSURE CABIN EQUIPMENT**

Ref. No.	Part No.	1	2	3	4	5	6	No. off	Matl. Spec.	Cl. of Equip.	Plate No.
										M.R.	
6178	E.A3.80.1251							1	DTD.124	C	AE.11
28D/9133011	A25/2C							1	—	C	
28M/5808573	A27/C5							1	—	C	
6179	E.A3.80.1285							1	DTD.124	C	AE.11
28D/9140638	A25/4B							1	—	C	
28M/10287	AGS.2001/B/1							1	—	C	
18859	EEAS.28/6GR							1	—	C	
5066	E.A3.80.1253							1	Spring Steel	C	AE.11
28D/9133011	A25/2C							6	—	C	
28M/10288	AGS.2001/C/1							6	—	C	
28W/9419475	SP.15/C							6	—	C	
8520	E.A3.80.1233							1	—	A	AE.11
33324	E.A3.80.1275							1	—	C	AE.11
	A25/4½B							1	—	LM	
28D/1009984	A25/7B							1	—	C	
28M/10287	AGS.2001/B/1							2	—	C	
6179	E.A3.80.1285							1	DTD.124	C	AE.11
	E.A3.80.1287							1	—	—	
	E.A3.80.1283							1	—	—	
	E.A3.80.1277							1	—	—	
	E.A3.80.1957							1	—	—	
5197	E.A3.80.1959							1	—	C	AE.11
28D/1007976	AS.1242/4C							1	—	C	
28M/10288	AGS.2001/C/1							1	—	C	
	E.A3.80.1961							1	L.72	LM	
	E.A3.80.1963							1	L.72	LM	
8521	E.A3.80.1235							1	—	B	AE.11
31533	E.A3.80.1261							1	—	C	AE.11
	E.A3.80.1259							1	S.11	—	
	E.A3.80.1257							1	L.40	—	
	AS.2811/6/020							1	T.4	LM	
28M/1011475	A27/EP							1	—	C	
	AS.2811/6/025							1	T.4	LM	
28W/3099	AGS.162/D							1	—	C	
	E.A1.80.939							1	—	—	
28P/9446312	SP.4Y/B3							2	—	C	
28P/19223	SP.90/B5							2	—	C	
28W/9419475	SP.15/C							2	—	C	

**EQUIPMENT, AIRCRAFT
PRESSURE CABIN EQUIPMENT**

Ref. No.	Part No.	Description						No. off	Matl. Spec.	Cl. of Equip. M.R. L.M.	Plate No.
		1	2	3	4	5	6				
	E.A3.80.941							1	—	—	
28D/1011019	A25/8C							4	—	C	
28M/10288	AGS.2001/C/1							4	—	C	
28W/9419475	SP.15/C							4	—	C	
	E.A3.80.1217							1	—	—	
	E.A3.80.1219							1	—	—	
	E.A3.80.1221							1	—	—	
2167	E.A1.80.881							1	—	B	AE.10
28D/1213473	AS.1249/1/8							8	—	C	
28M/10280	AGS.2001/B/3							8	—	C	
28W/9419474	SP.15/B							8	—	C	
	E.B7.80.1201							—	—	—	
	NORMALAIR 504120							3	—	C	AE.10
28D/1007285	AS.1242/1B							4	—	C	
28M/10327	AGS.2002/B/1							4	—	C	
27KD/375	†							3	—	C	AE.10
	E.B7.80.1203							—	—	—	
	NORMALAIR 504120							2	—	C	AE.10
28D/1007285	AS.1242/1B							4	—	C	
28M/10327	AGS.2002/B/1							4	—	C	
27KD/375	†							2	—	C	AE.4
	E.A2.80.111							1	—	—	
15254	E.A2.80.113							1	—	C	
15255	E.A2.80.115							1	—	C	
	E.A3.80.1731							1	—	—	
27H/2768	†							1	—	C	AE.9
25159	AS.432							1	—	C	
28D/9142406	AS.1248/3C							4	—	C	
28M/10328	AGS.2002/C/1							4	—	C	
	AS.2807/5/02							4	T.45	LM	
28W/9419475	SP.15/C							8	—	C	
15243	E.A2.80.51							1	—	C	

**EQUIPMENT, AIRCRAFT
PRESSURE CABIN EQUIPMENT**

Ref. No.	Part No.	Description	No. off	Matl. Spec.	Cl. of Equip.		Plate No.
					M.R.	L.M.	
		1 2 3 4 5 6					
	E.A3.80.2727	STOWAGE, VISOR, ON NAVIGATOR'S TABLE, INSTALLATION	—	—	—		
		Spares for:—					
8718	E.A3.80.2729	Bracket	2	—	C		AE.5
	E.A3.80.2733	Cord, retaining	1	—	—		
8968	E.A3.80.2783	Spring	2	—	C		AE.5
	E.A1.80.967	STRAP, BACK, OCCASIONAL SEAT, ASSEMBLY	—	—	—		
		Spares for:—					
	E.A1.80.987	Lug	1	—	—		
		Attaching parts for E.A1.80.987:—					
28D/9133012	A25/3C	Bolt, 2 BA	4	—	C		
28M/10288	AGS.2001/C/1	Nut, 2 BA	4	—	C		
	E.A1.80.985	Washer, radiused	2	—	—		
6407	E.A3.80.2665	STRAP, BACK, ASSEMBLY	1	—	C/MR		AE.11
		Spares for:—					
	AS.2394	Collar	1	—	—		
8809	E.A1.80.971	Eye Bolt	1	L.72	C		AE.11
	E.A1.80.973	Plate, strap	1	L.72	—		
6180	E.A1.80.975	Plate, strap	1	L.72	C		AE.11
28U/13992	AS.2385	Trunnion	1	—	C		
32B/498	†	Thread, waxed linen, No. 18	QR	—	C		
8810	E.A3.80.2681	Webbing, 40" long x 6½" wide (Proof load)	1	—	C		AE.11
		Attaching parts for E.A3.80.2665:—					
28FP/1048015	AVDELS. A.405	Pin, "pip"	1	H.T.S.	C		
	E.A2.83.6081	SUNBLIND, PILOTS, INSTALLATION (MOD. 4046)	1	—	—		
		Spares for:—					
8798	E.A3.83.195	Bearing, support, bottom	2	LFS.26	C		AE.12
8799	E.A3.83.197	Bearing, support, top	2	LFS.26	C		AE.12
		Attaching parts for E.A3.83.195 and E.A3.83.197:—					
28D/1214035	AS.1242/13C	Bolt, 2 BA	2	—	C		
28M/10328	AGS.2002/C/1	Nut, 2 BA	2	—	C		
28W/9419402	SP.13/C	Washer	2	—	C		
	E.B7.83.5359	Plate, stop, assembly	1	—	—		
		Attaching parts for E.B7.83.5359:—					
28D/1200119	A25/4C	Bolt, 2 BA	6	—	C		
28M/10328	AGS.2002/C/1	Nut, 2 BA	6	—	C		
28W/9419402	SP.13/C	Washer	6	—	C		
5631	E.A3.83.205	Spring, compression	1	DTD.215	C		AE.12
42022	E.A2.83.6067	SUNBLIND, PILOT'S, ASSEMBLY (MOD. 4046)	1	—	A		
		Spares for:—					
	E.G5.83.51	Bracket, stop, port	1	—	—		
	E.G5.83.53	Bracket, stop, starboard	1	—	—		
	E.B7.83.7375	Cover, sunblind	1	—	—		
	E.A2.83.6079	Frame, flexible	1	—	—		
	E.A2.83.6075	FRAME, INNER, ASSEMBLY	1	—	—		
		Spares for:—					
	E.A2.83.6071	Frame, inner, member	1	L.65	—		
	E.A2.83.6073	Frame, wire	1	DTD.215	—		
	E.G5.83.33	Socket, frame, port	1	—	—		
	E.G5.83.35	Socket, frame, starboard	1	—	—		

**EQUIPMENT, AIRCRAFT
PRESSURE CABIN EQUIPMENT**

Ref. No	Part No.	Description						No. off	Mati. Spec.	Cl. of Equip. M.R. L.M.	Plate No.	
		1	2	3	4	5	6					
34436	E.G5.83.63	Handle, control						1	DTD.339	C		
	E.G5.83.45	Lever, assembly, compression spring						1	—	—		
	E.G5.83.41	Shaft, inner						1	L.65	—		
	E.A2.83.6077	Socket, outer frame, port						1	—	—		
	E.G5.83.39	Socket, outer frame, starboard						1	—	—		
	E.A2.83.6069	Stay, outer, port						1	L.65	—		
	E.B7.83.5357	Stay, outer, starboard						1	L.65	—		
	8804	E.A3.83.211	Stiffener, 3"7 x 7/8" x 1/8" thick						2	Novellon	C	AE.12
	8805	E.A3.83.213	Stiffener, 2"8 x 7/8" x 1/8" thick						2	Novellon	C	AE.12
	8806	E.A3.83.215	Stiffener, 2"6 x 7/8" x 1/8" thick						2	Novellon	C	AE.12
8800	E.G5.83.43	Tube, bearing						1	T.45	—		
	E.A3.83.201	Tube, spring, housing						1	—	C	AE.12	
8601	E.A3.83.203	Tube, spring, housing						1	—	C	AE.12	
		Attaching parts for E.A3.83.201 and E.A3.83.203:—										
28N/5548	AG5.889/1	Collar						1	—	C		
28P/814	SP/4/Y/A4	Pin, shackle						1	—	C		
28P/9710567	SP.90/C4	Pin, split						1	—	C		
		TRAY MOUNTING, STROBE UNIT, ASSEMBLY ...						1	—	—		
		Spares for:—										
10AJ/	A. WELLS & CO. LTD.	Mounting, anti-vibration "Equiflex"						4	—	—	AE.4	
	M.D.S.M.12	Attaching parts for MDSM.12:—										
28M/1006504	AS.1242/61B	Bolt, 4 BA (Make from AS.1242/7B)						4	—	—		
	A27/BT	Nut, 4 BA						4	—	C		
	E.A2.80.109	Spacer, assembly						1	—	—		
		Tray, mounting, modified						1	—	—		
28D/1217376	E.A2.80.103A	Attaching parts for E.A2.80.103A:—										
	AS.1248/7E	Bolt, 1" BSF						4	—	C		

Restricted

Ref. No.	Part No.	Description						No. off	Matl Spec.	Cl. of Equip.	Plate No.
		1	2	3	4	5	6			M.R. L.M.	

Restricted

**EQUIPMENT, AIRCRAFT
PRESSURE CABIN EQUIPMENT**

Ref. No.	Part No	Description	No. off	Matl. Spec.	Cl. of Equip.		Plate No.
					M.R.	L.M.	
	E.A2.80.21	EQUIPMENT IN PRESSURE CABIN, ASSEMBLY ... (PRE-MOD. 610) Spares for this assembly are identical with those for assembly Part No. E.A2.80.443 on Page 311, except for the following deletions and additions:— Delete:—	—	—	—	—	
	E.A3.80.2057	CONTAINER, URINE, ASSEMBLY ...	1	—	—	—	
	E.B7.80.327	CURTAINS, BLACKOUT, ASSEMBLY ...	—	—	—	—	
	—	EQUIPMENT, FORWARD OF FRAME 1, INSTALLATION (DRG. NO. E.B7.80.3)	—	—	—	—	
	E.A3.80.2009	EQUIPMENT, NAVIGATOR'S COMPARTMENT ...	—	—	—	—	
	E.B7.80.913	EQUIPMENT, NAVIGATOR'S LEG RESTRAINT (MOD. 2584 FOR AIRCRAFT EMBODYING MODS. 1422 AND 610)	—	—	—	—	
	E.B6.80.3141	EQUIPMENT, PILOT'S, LEG RESTRAINT (MOD. 3278)	—	—	—	—	
	E.B7.80.303	LEVEL, FORE AND AFT, INSTALLATION ...	—	—	—	—	
	E.B7.80.309	MOUNTING CONTROL UNIT, TYPE 522 ...	1	—	—	—	
	E.B7.80.901	MOUNTING, PERISCOPE, ASSEMBLY ...	—	—	—	—	
	E.B7.80.481	NAVIGATOR'S COMPARTMENT, STARBOARD ARRANGEMENT	—	—	—	—	
	E.A2.80.501	PANEL'S, INSTRUMENT, PILOT'S ASSEMBLY ...	—	—	—	—	
	E.B7.80.1201	STOWAGE LEAK STOPPER, BETWEEN FRAME A AND FRAME 1, INSTALLATION (MOD. 2502)	—	—	—	—	
	E.B7.80.1203	STOWAGE, LEAK STOPPER, BETWEEN FRAMES 6 AND 7, INSTALLATION (MOD. 2502)	—	—	—	—	
	E.A3.80.2707	STOWAGE, VISOR, ON NAVIGATOR'S TABLE INSTALLATION	—	—	—	—	
	E.B6.83.363	SUNBLIND, PILOT'S, ASSEMBLY (MOD. 3278) ... Add:—	1	—	—	—	
	E.A3.80.1727	CONTAINER, URINE, ASSEMBLY ... Spares for:—	1	—	—	—	
27H/2315	AGS.584	Clip, spring ...	1	—	—	C	
27H/3224	†	Container, Urine, Mk. 2 ...	1	—	—	B	
27H/2316	†	Funnel ...	1	—	—	C	
	E.A3.80.1721	CURTAINS, BLACKOUT, ASSEMBLY ... Spares for:—	—	—	—	—	
4844	E.A3.80.2647	CURTAIN, MAIN, ASSEMBLY ... Spares for:—	1	—	—	B	
	E.A3.80.2649	Curtain, main ...	1	—	—	—	
		Attaching parts for E.A3.80.2647:—					
28M/10288	AGS.2001/C/1	Nut, 2 BA ...	8	—	—	C	
28M/10328	AGS.2002/C/1	Nut, 2 BA ...	2	—	—	C	
3418	EEAS.132/12	Strap, securing, c/w buckle ...	2	—	—	C	
29G/4074	CARR No. 680	Stud, 2 BA ...	10	—	—	C	
28W/9419402	SP.13/C	Washer ...	2	—	—	C	

**EQUIPMENT, AIRCRAFT
PRESSURE CABIN EQUIPMENT**

Ref. No.	Part No.	Description	No. off	Matl. Spec.	Cl. of Equip.		Plate No.
					M.R.	L.M.	
		1 2 3 4 5 6					
6332	E.A3.80.1753	CURTAIN, BLACKOUT, NAVIGATOR'S WINDOW ASSEMBLY	1	—		B	
	E.A3.80.1951	Spares for:— Curtain, navigator's window	1	—		—	
		Attaching parts for E.A3.80.1951:—					
28D/11937	AS.1246/1B	Bolt, 4 BA	1	—		C	
28M/10287	AGS.2001/B/1	Nut, 4 BA	1	—		C	
28M/10288	AGS.2001/C/1	Nut, 2 BA	4	—		C	
29G/4074	CARR No. 680	Stud, "Lift the Dot" 2 BA	4	—		C	
28W/9419465	SP.13/B	Washer	1	—		C	
28W/9419402	SP.13/C	Washer	4	—		C	
	E.A3.80.1761	Strap	2	—		—	
6333	E.A3.80.1755	Fairing	1	—		C	
	E.A2.80.15	EQUIPMENT, NAVIGATOR'S COMPARTMENT, ASSEMBLY	—	—		—	
		Spares for:—					
10AB/1066	212/2	Mounting, assembly, for control unit 426	1	—		A	
10AB/2506	159/3	Mounting, assembly, for drive unit 114	1	—		A	
		Attaching parts for 212/2 and 159/3:—					
28D/7565	A17/1C	Bolt, 2 BA	16	—		C	
28M/10281	AGS.2001/C/3	Nut, 2 BA	16	—		C	
28W/9419475	SP.15/C	Washer	16	—		C	
10A/19500	375/B2	Mounting, assembly for Gee-H Transmitter T.1629	1	—		B	
		Attaching parts for 375/B2:—					
652	E.A3.80.411	Washer, special	4	L.40		C	
	E.A3.80.467	MOUNTING, "GEE-H" RECEIVER AND INDICATOR UNIT, ASSEMBLY	1	—		—	
		Spares for:—					
3566	E.A3.80.463	Frame, indicator unit, "Gee-H"	1	—		B	
3567	E.A3.80.49	Frame, receiver, "Gee-H"	1	—		B	
	E.A3.80.783	MOUNTING, REPEATER UNIT, FOR A.P.I.	1	—		—	
		Spares for:—					
6B/291	Z.10129	Drive, flexible	1	—		B	
6B/314	IN.8501	Unit, repeater, A.P.I.	1	—		A	
		Attaching parts for IN.8501:—					
28D/15988	AS.4506/4C	Bolt, 2 BA	3	—		C	
28M/10281	AGS.2001/C/3	Nut, 2 BA	3	—		C	
28W/9419475	SP.15/C	Washer	3	—		C	
	E.A3.80.475	PANEL, NAVIGATOR'S INSTRUMENT, ASSEMBLY	1	—		—	
		Spares for:—					
6A/3156	†	Altimeter, Mk.20 C(P)	1	—		A	
		Attaching parts for Ref. 6A/3156:—					
28M/10288	AGS.2001/C/1	Nut, 2 BA	2	—		C	
28S/2892	A32/C40	Screw, 2 BA	2	—		C	

**EQUIPMENT, AIRCRAFT
PRESSURE CABIN EQUIPMENT**

Ref. No.	Part No	Description						No. off	Matl. Spec.	Cl. of Equip.		Plate No.
		1	2	3	4	5	6			M.R.	L.M.	
5CZ/996	†							2	—		B	
28S/9992522	A32/B16							4	—		C	
8731	E.A3.80.551							1	—		C	
28D/16033	A61/7E							1	—		C	
28M/10282	AGS.2001/E/3							1	—		C	
20898	E.A3.80.549							2	—		C	
28D/16033	A61/7E							1	—		C	
28M/10282	AGS.2001/E/3							1	—		C	
6B/1996	†							1	—		A	
28M/10288	AGS.2001/C/1							3	—		C	
28S/2892	A32/C40							3	—		C	
6A/2769	†							1	—		B	
28S/2413	A44/B16							4	—		C	
6B/556	†							1	—		B	
28M/10286	AGS.2001/A/1							2	—		C	
28S/9992531	A33/A24							2	—		C	
6B/458	†							1	—		A	
28D/16856	AS.4565/10E							2	—		C	
28D/16857	AS.4565/31E							1	—		C	
28M/10282	AGS.2001/E/3							3	—		C	
6A/3147	†							1	—		A	
or												
6A/4722	†							1	—		A	
28D/10570	AS.1247/1C							4	—		C	
28M/10288	AGS.2001/C/1							4	—		C	
10QB/6130	†							1	—		A	
28S/6350	A40/B12							4	—		C	
	E.A3.80.523							1	—		—	
	E.A3.80.531							1	—		—	
28M/10280	AGS.2001/B/3							16	—		C	
28S/9451792	AGS.56/B4							16	—		C	

**EQUIPMENT, AIRCRAFT
PRESSURE CABIN EQUIPMENT**

Ref. No.	Part No.	Description	No. off	Matl. Spec.	Cl. of Equip.		Plate No.
					M.R.	L.M.	
		1 2 3 4 5 6					
10A//	M.D.S.M.10 E.A3.10.3443	Mounting, equiflex Plate, blanking Attaching parts for E.A3.10.3443:—	3 1	— —	— —		
28M/10288 28S/6250	AGS.2001/C/1 A40/C12	Nut, 2 BA Screw, 2 BA	2 2	— —	C C		
5CY/7001363	EL.26326	Suppressor, R.I. Type B. No. 4 Attaching parts for EL.26326:—	1	—	B		
28D/8371 28M/10280	AS.1243/1B AGS.2001/B/3	Bolt, 4 BA Nut, 4 BA	2 2	— —	C C		
6B/471	†	Unit, control, air mileage, Mk. 4 B Attaching parts for Ref. 6B/471:—	1	—	—		
28M/10280 28S/9992522	AGS.2001/B/3 A32/B16	Nut, 4 BA Screw, 4 BA	4 4	— —	C C		
28D/16033 28M/10282	A61/7E AGS.2001/E/3	Attaching parts for E.A3.80.475:— Bolt, 1/4" BSF Nut, 1/4" BSF	2 2	— —	C C		
E.A3.80.819		STOWAGE, R.F. SPARE UNITS, CONTAINER	1	—	—		
6076	E.A3.80.547	Spares for:— Container, R.F. Unit Attaching parts for E.A3.80.547:—	1	—	B		
28D/1010658 28D/9133011 28M/10288	A25/1B A25/2C AGS.2001/C/1	Bolt, 4 BA Bolt, pivot, 2 BA Nut, 2 BA	2 2 2	— — —	C C C		
E.A3.80.575		TABLE, NAVIGATOR'S, ASSEMBLY	1	—	—		
12083	E.A3.80.183 E.A3.80.187 E.A3.80.181 E.A3.80.629	Spares for:— Link, connecting Plate, spring, connection Spring Tray, Gee-H Transmitter mounting, assembly	1 2 1 1	— — — —	C — — —		
28D/7565 28M/10281 28W/9419475	A17/1C AGS.2001/C/3 SP.15/C	Attaching parts for E.A3.80.629:— Bolt, 2 BA Nut, 2 BA Washer	5 2 3	— — —	C C C		
E.A2.80.289		LEVEL, FORE AND AFT, INSTALLATION	—	—	—		
E.A2.80.313 E.A2.80.315		Spares for:— Bracket Channel, curved	1 2	— —	— —		
6A/389	†	Level, fore and aft, Type B Attaching parts for Ref. 6A/389:—	1	—	B		
20759	E.A2.80.291 E.A2.80.289C	Screw Washer, felt	2 2	— —	C —		
E.A2.80.23		NAVIGATOR'S COMPARTMENT, STARBOARD SIDE, ASSEMBLY	—	—	—		
6B/562	†	Spares for:— Amplifier, Type B, for G4B Compass	1	—	A		

**EQUIPMENT, AIRCRAFT
PRESSURE CABIN EQUIPMENT**

Ref. No.	Part No	Description	No. off	Matl. Spec.	Cl. of Equip.	Plate No.
					M.R. L.M.	
	E.A1.82.77	AMPLIFIER, INTER-COMM, AND PANEL, ASSEMBLY	1	—	—	
		Spares for:—				
10U/90	†	Amplifier, Type A, 1134A	1	—	A	
SJ/9101167	†	Battery, primary, grid bias No.7	1	—	B	
5CZ/430	†	Block, terminal, 2-way, Type B	2	—	B	
5CZ/868	†	Block, terminal, 5-way, Type B	4	—	B	
		Attaching parts for Ref. 5CZ/430 and 5CZ/868:—				
28M/10286	AGS.2001/A/1	Nut, 6 BA	2	—	C	
28S/1200062	A33/A20	Screw, 6 BA	2	—	C	
5E/4199	†	Cable, Uninyvinmetsh Heath 20	QR	—	C	
5E/4183	†	Cable, Uninyvin 20	QR	—	C	
18825	E.A1.82.49	Connectors, assembly, RT.15	1	—	C/MR	
18826	E.A1.82.79	Crate, inter-comm.	1	—	C/MR	
18827	E.A1.82.151	Label, TEL + TEL + etc.	1	DTD.610	C/MR	
18828	E.A1.82.153	Label, HT + HT + etc.	1	DTD.610	C/MR	
18829	E.A1.82.155	Label, NEG.R31 etc.	1	DTD.610	C/MR	
18830	E.A1.82.157	Label, WI.WS. etc.	1	DTD.610	C/MR	
10D/13336	†	Panel, Type 192	1	—	A	
		Attaching parts for Ref. 10D/13336				
28D/12481	AS.1246/14B	Bolt, 4 BA	2	—	C	
5K/9107065	EEAS.146/A	Sleeve, 1/2" long	24	—	C	
5K/9107066	EEAS.146/B	Sleeve, 1" long	2	—	C	
5F/1793	†	Sleeving, systoflex, 2 m/m	QR	—	C	
5F/2024	†	Sleeving, systoflex, 6 m/m	QR	—	C	
5CW/1722	†	Switch, magnetic relay, Type P	1	—	B	
		Attaching parts for Ref. 5CW/1722:—				
28D/9294	AS.1242/5B	Bolt, 4 BA	2	—	C	
28M/10287	AGS.2001/B/1	Nut, 4 BA	2	—	C	
10A/13157	†	Unit, Matching, impedance, Type 111	1	—	A	
		Attaching parts for Ref. 10A/13157:—				
28M/10286	AGS.2001/A/1	Nut, 6 BA	4	—	C	
28S/9992524	A32/A8	Screw, 6 BA	4	—	C	
10W/13128	†	Unit, Resistance	1	—	C	
		Attaching parts for E.A1.82.77:—				
28D/12137	AS.1246/4B	Bolt, 4 BA	4	—	C	
SJ/1387	†	Battery, Acid, Type B, 20 amp.	2	—	B	
	E.A2.80.279	Box, accumulator, assembly	1	—	—	
		Attaching parts for E.A2.80.279:—				
28D/9436920	A25/1C	Bolt, 2 BA	4	—	C	
28W/9419475	SP.15/C	Washer	4	—	C	
10A/17355	†	Mounting, Type 646	1	—	B	
		Attaching parts for Ref. 10A/17355:—				
28D/9130080	AS.1242/9B	Bolt, 4 BA	4	—	C	

**EQUIPMENT, AIRCRAFT
PRESSURE CABIN EQUIPMENT**

Ref. No.	Part No.	Description	No. off	Mati. Spec.	Cl. of Equip.		Plate No.
					M.R.	L.M.	
		1 2 3 4 5 6					
	E.A2.80.293	Mounting, assembly for camera distribution ...	1	—	—		
		Attaching parts for E.A2.80.293:—					
28D/1010658	A25/1B	Bolt, 4 BA ...	4	—	C		
28M/10287	AGS.2001/B/1	Nut, 4 BA ...	4	—	C		
	6B/408	Panel, control, compass ...	1	—	A		
		Attaching parts for SK.8584:—					
28M/10287	AGS.2001/B/1	Nut, 4 BA ...	4	—	C		
28S/9992525	A32/B12	Screw, 4 BA ...	4	—	C		
	14A/540	† Plate, wedge ...	3	—	B		
		Attaching parts for Ref. 14A/540:—					
28M/10288	AGS.2001/C/1	Nut, 2 BA ...	4	—	C		
28S/2856	A32/C12	Screw, 2 BA ...	4	—	C		
	6B/437	† Tray, mounting, Type A ...	1	—	B		
		Attaching parts for Ref. 6B/437:—					
28D/9745	AS.1246/1E	Bolt, 3/4" BSF ...	4	—	C		
	10D/17387	† Unit, power, Type 173 ...	1	—	A		
	E.A2.80.5	PANEL, INSTRUMENT, ASSEMBLY ...	1	—	—		
		Spares for:—					
27H/2952	LORD 100/P4	Mounting, anti-vibration ...	6	—	B		
27H/2786	LORD 150/P12	Mounting, anti-vibration ...	6	—	B		
		Attaching parts for LORD. 100/P4 and LORD. 150/P12:—					
28M/10287	AGS.2001/B/1	Nut, 4 BA ...	4	—	C		
28S/9992525	A32/B12	Screw, 4 BA ...	4	—	C		
	E.A2.80.97	PANEL, ENGINE INSTRUMENT AND WIRING, ASSEMBLY (PRE-MOD. 2713) ...	1	—	—		
		Spares for:—					
	5E/4183	† Cable, Uninyvin 20 ...	QR	—	C		
	5E/4185	† Cable, Uninyvin 16 ...	QR	—	C		
	32A/94	† Cord, braided, waxed ...	QR	4F/35	C		
5L/9951110	† Filament, 6 v. 0.24 w. ...		2	—	B		
6A/3855	AG.25	Gauge, fuel contents ...	1	—	A		
6A/3868	AG.29	Gauge, fuel contents ...	1	—	A		
6A/3856	AG.30	Gauge, fuel contents ...	1	—	A		
		Attaching parts for AG.25, AG.29 and AG.30:—					
28S/2425	A44/B24	Screw, 4 BA ...	4	—	C		
	6A/2714	1ACR Gauge, oil, pressure ...	2	—	A		
		Attaching parts for 1ACR:—					
28S/2425	A.44/B24	Screw, 4 BA ...	4	—	C		
	6A/2801	SIS.3596 Indicator, engine speed, Mk. 10A ...	2	—	A		
		Attaching parts for S.I.S. 3596:—					
	5K/87	AGS.1658/0 Nut, gland ...	1	—	C		
28S/2425	A44/B24	Screw, 4 BA ...	4	—	C		

**EQUIPMENT, AIRCRAFT
PRESSURE CABIN EQUIPMENT**

Ref. No.	Part No	Description						No. off	Matl. Spec.	Cl. of Equip. M.R. L.M.	Place No.
		1	2	3	4	5	6				
6A/1674	SIS.3652	Indicator, jet temperature, Type B						1	—	A	
28M/10310	AGS.2002/C/4	Attaching parts for S.I.S. 3652:—									
28S/2418	A44/C20	Nut, 2 BA						4	—	C	
		Screw, 2 BA						4	—	C	
5CX/1553	†	Lamp, warning, Type B						2	—	B	
	E.A2.80.99	PANEL, ENGINE INSTRUMENT, ASSEMBLY OF MOUNTING BRACKETS						1	—	—	
		Spares for:—									
	E.A2.80.101	Panel, engine instrument						1	—	—	
16683	E.A3.80.1893	Plate						2	—	C	
		Attaching parts for E.A3.80.1893:—									
28M/10326	AGS.2002/A/1	Nut, 6 BA						4	—	C	
28S/9992524	A32/A8	Screw, 6 BA						4	—	C	
5X/6182	CZ.50357	Plug, assembly, "B" size, 9-way (Pre-Mod. 3378)						2	—	B	
5X/7145	2CZ.111224	Plug, assembly, "B" size, 9-way. (Mod. 3378) ...						2	—	B	
5X/6184	CZ.50360	Plug, assembly, "C" size, 12-way. (Pre-Mod. 3378)						2	—	B	
5X/7151	2CZ.111226	Plug, assembly, "C" size, 12-way. (Mod. 3378)						2	—	B	
4753	E.A3.81.2311	Reflector, fuel tank gauge						1	DTD.339	C	
4624	E.A3.81.2399	Reflector, fuel tank gauge						1	DTD.339	C	
	E.A2.81.879	Screen, fuel tank gauge reflector						1	—	—	
		Attaching parts for E.A2.81.879 :—									
28S/2437	A44/B32	Screw, 4 BA						2	—	C	
5K/26	AGS.1651/3	Sleeve, cable						2	—	C	
5K/9107065	EEAS.146/A	Sleeve, 1/2" long						82	—	C	
5X/3148	Z.49428	Sleeve, cable						35	—	C	
5CW/4179	D.5406	Switch, toggle						5	—	A	
		Attaching parts for D.5406:—									
5CW/5252	HV.3711	Cap, Helvin, dolly						1	—	C	
28S/9145185	A44/B12	Screw, 4 BA						2	—	C	
15493	EEAS.28/2GP	Washer						2	L.16	C	
28W/9419448	AGS.2035/B	Washer						2	—	C	
		Attaching parts for E.A2.80.97:—									
28D/1010142	A25/9B	Bolt, 4 BA						3	—	C	
28M/10287	AGS.2001/B/1	Nut, 4 BA						3	—	C	
2033	E.A3.80.1789	Washer, special						12	DTD.610	C	
28W/9419474	SP.15/B	Washer						2	—	C	
	E.A2.80.25	PANEL, FLYING, ASSEMBLY						1	—	—	
		Spares for:—									
6A/2944	†	Altimeter, Mk. 19A						1	—	A	
		Attaching parts for 6A/2944:—									
28S/2425	A44/B24	Screw, 4 BA						4	—	C	
28W/9419448	AGS.2035/B	Washer						4	—	C	
16668	E.A3.80.357	Bracket, shock absorber						1	DTD.610	C/MR	
16669	E.A3.80.359	Bracket, shock absorber						1	DTD.610	C/MR	
		Attaching parts for E.A3.80.357 and E.A3.80.359:—									
28D/1010658	A25/1B	Bolt, 4 BA						6	—	C	
28M/10327	AGS.2002/B/1	Nut, 4 BA						6	—	C	
28W/9419474	SP.15/B	Washer						6	—	C	

**EQUIPMENT, AIRCRAFT
PRESSURE CABIN EQUIPMENT**

Ref. No.	Part No.	Description						No. off	Matl. Spec.	Cl. of Equip.	Plate No.
		1	2	3	4	5	6			M.R. L.M.	
16670	E.A3.80.361							1	DTD.610	C/MR	
28D/1010658	A25/1B							4	—	C	
28M/10327	AGS.2002/B/1							4	—	C	
6A/2089	CHX.2104							1	—	A	
28S/2425	A44/B24							2	—	C	
5CW/4222	ZA.2401							1	—	B	
6A/3385	†							1	—	A	
6A/3147	†							1	—	A	
28M/10328	AGS.2002/C/1							4	—	C	
28S/2430	A44/C28							4	—	C	
6A/2966	SIS.6101							1	—	A	
28S/2431	A44/B28							4	—	C	
5CZ/5073	EL.1810							2	—	B	
5CZ/5003	C.5165/7							1	—	B	
6A/2924	SMITH 218FL							1	—	A	
28S/2425	A44/B24							4	—	C	
5180	E.A3.90.26/1							1	—	A	
28S/9145185	A44/B12							2	—	C	
6A/3160	430FL							1	—	A	
28S/2425	A44/B24							4	—	C	
6A/3161	431FL							1	—	A	
28S/2425	A44/B24							4	—	C	
6A/3205	432FL							1	—	A	
28S/2425	A44/B24							4	—	C	
6A/2945	†							1	—	A	
28S/1010430	A44/B20							4	—	C	
6A/3154	†							1	—	A	
28M/10328	AGS.2002/C/1							4	—	C	
28S/2418	A44/C20							4	—	C	
28W/9416643	SP.47/C							4	—	C	
5CW/4179	E.A2.80.499							1	—	—	
	E.B7.80.737							1	—	—	
	D.5406							1	—	A	
28S/9419453	A31/B14							2	—	C	
15493	EEAS.28/2GP							2	L.16	C	
28W/9419448	AGS.2035/B							2	—	C	

**EQUIPMENT, AIRCRAFT
PRESSURE CABIN EQUIPMENT**

Ref. No.	Part No.	Description						No. off	Matl. Spec.	Cl. of Equip.		Plate No.
		1	2	3	4	5	6			M.R.	L.M.	
5CW/4327	†											
5CW/5000	†											
6B/1992	15632-0											
28S/2430	A44/C28											
28D/12546	A25/14E											
28M/10290	AGS.2001/E/1											
6918	EEAS.28/51/FR											
	E.A3.90.329/1											
6A/1608	†											
28M/10310	AGS.2002/C/4											
28S/2442	A44/C40											
6A/2709	SIS.6104											
28S/2425	A44/B24											
28W/1007776	AGS.2034/B											
5CZ/430	†											
28M/10308	AGS.2002/A/4											
28S/2152	A45/A32											
5E/4183	†											
5K/2724	AGS.1765											
5L/9951273	†											
5K/	HV.3033											
5CW/4222	ZA.2401											
6A/2713	289FL											
28S/1013430	A44/B20											
28W/1007776	AGS.2034/B											
16693	E.A3.81.437											
5CX/1069	†											
	E.A3.80.323											
	E.A3.80.1919											
5X/6182	CZ.50357											
5X/6091	CZ.28108											
5X/7145	2CZ.111224											
5X/7152	2CZ.111227											
5X/1005131	Z.49428											
5K/9107065	EEAS.146/A											
16674	E.A3.80.381											
5CW/898	†											
28M/10308	AGS.2002/A/4											

**EQUIPMENT, AIRCRAFT
PRESSURE CABIN EQUIPMENT**

Ref. No.	Part No.	1	2	3	4	5	6	Description	No. off	Matl. Spec.	Cl. of Equip.		Place No.
											M.R.	L.M.	
5CW/5825	†							Switch, S.P.	1	—		B	
5CW/5252	HV.3711							Attaching parts for Ref. 5CW/5825:—					
	EEAS.28/2HP							Cap, dolly, Helvin	1	—		C	
								Washer, special	2	L.16		—	
5CW/7539	†							Switch, toggle	1	—		A	
5CW/5252	HV.3711							Attaching parts for Ref. 5CW/7539:—					
28S/9992525	A32/B12							Cap, dolly Helvin	1	—		C	
28W/9419448	AGS.2035/B							Screw, 4 BA	4	—		C	
								Washer	4	—		C	
5K/2727	†							Transfer, "fire extinguisher"	2	—		C	
28D/9436920	A25/1C							Attaching parts for E.A3.80.329/1:—					
28D/9140202	AS.1246/1C							Bolt, 2 BA	3	—		C	
								Bolt, 2 BA	5	—		C	
	E.A2.97.25							SIGHT, NAVIGATING HEAD AND EQUIPMENT, ASSEMBLY	—	—		—	
								Spares for:—					
9/3350	†							Bracket, sight mounting (alternative 9/4905)	1	—		B	
6A/409	†							Holder, deviation card	1	—		C	
	E.A2.97.15							Mounting, sight navigating head	1	—		—	
								Attaching parts for E.A2.97.15:—					
28D/1011303	A25/13J							Bolt, 3/8" BSF	3	—		C	
28M/1011473	A27/JJ							Nut, 3/8" BSF	3	—		C	
28W/9419466	SP.13/J							Washer	3	—		C	
6B/468	†							Vanes, drift sight, Mk. 1	1	—		A	
	E.A3.83.1							STOWAGE, PILOT'S PERSONAL EQUIPMENT, ASSEMBLY	—	—		—	
								Spares for:—					
	E.A3.83.3							Stowage, (Pre-Mod. 510)	1	—		—	
8507	E.A3.83.133							Stowage, (Mod. 510)	1	—		B	
								Attaching parts for E.A3.83.3 and E.A3.83.133:—					
28D/1010658	A25/1B							Bolt, 4 BA	2	—		C	
28M/10287	AGS.2001/B/1							Nut, 4 BA	2	—		C	
	E.A3.80.497							UNIT, CONTROL, TYPE 522, INSTALLATION	—	—		—	
								Consisting of:—					
8503	E.A3.80.1501							Angle, assembly	1	—		C	
28D/15909	A61/1E							Bolt, 1/2" BSF	4	—		C	
8504	E.A3.80.1697							Bracket	1	—		C	
8505	E.A3.80.1503							Bracket, assembly	2	—		C	
28M/10281	AGS.2001/C/3							Nut, 2 BA	2	—		C	
28S/6250	A40/C12							Screw, 2 BA	2	—		C	
28W/9419487	SP.16/E							Washer	4	—		C	
	E.A3.90.37							UNIT, CONTROL, ASSEMBLY TYPE 1	1	—		—	
								Spares for:—					
8508	E.A3.80.1171							Bracket, mounting, assembly	1	—		C	

**EQUIPMENT, AIRCRAFT
PRESSURE CABIN EQUIPMENT**

Ref. No.	Part No	Description	No. off	Matl. Spec.	Cl. of Equip.	Plate No.
					M.R. L.M.	
SUMMARY OF STOCK ITEMS USED ON PRESSURE CABIN EQUIPMENT, ASSEMBLY						
28D/7565	A17/1C	Bolt, 2 BA hex. head, "53 long ...			C	
28D/1010658	A25/1B	Bolt, 4 BA hex. head, "50 long ...			C	
28D/9419452	A25/3B	Bolt, 4 BA hex. head "70 long ...			C	
28D/9140638	A25/4B	Bolt, 4 BA hex. head, "80 long ...			C	
28D/1009984	A25/7B	Bolt, 4 BA hex. head, 1"10 long ...			C	
28D/1011011	A25/8B	Bolt, 4 BA hex. head, 1"20 long ...			C	
28D/1010142	A25/9B	Bolt, 4 BA hex. head, 1"30 long ...			C	
28D/9140639	A25/11B	Bolt, 4 BA hex. head, 1"50 long ...			C	
28D/12811	A25/16B	Bolt, 4 BA hex. head, 2"00 long ...			C	
28D/9436920	A25/1C	Bolt, 2 BA hex. head, "55 long ...			C	
28D/9133011	A25/2C	Bolt, 2 BA hex. head, "65 long ...			C	
28D/9133012	A25/3C	Bolt, 2 BA hex. head, "75 long ...			C	
28D/1200119	A25/4C	Bolt, 2 BA hex. head, "85 long ...			C	
28D/12533	A25/5C	Bolt, 2 BA hex. head, "95 long ...			C	
28D/7002428	A25/6C	Bolt, 2 BA hex. head, 1"05 long ...			C	
28D/1010030	A25/7C	Bolt, 2 BA hex. head, 1"15 long ...			C	
28D/1011019	A25/8C	Bolt, 2 BA hex. head, 1"25 long ...			C	
28D/12515	A25/10C	Bolt, 2 BA hex. head, 1"45 long ...			C	
28D/9419397	A25/12C	Bolt, 2 BA hex. head, 1"65 long ...			C	
28D/12537	A25/14C	Bolt, 2 BA hex. head, 1"85 long ...			C	
28D/1011029	A25/1E	Bolt, 1/4" BSF hex. head, "60 long ...			C	
28D/1011030	A25/2E	Bolt, 1/4" BSF hex. head, "70 long ...			C	
28D/1011238	A25/3E	Bolt, 1/4" BSF hex. head, "80 long ...			C	
28D/1008151	A25/4E	Bolt, 1/4" BSF hex. head, "90 long ...			C	
28D/1011240	A25/5E	Bolt, 1/4" BSF hex. head, 1"00 long ...			C	
28D/1008145	A25/6E	Bolt, 1/4" BSF hex. head, 1"10 long ...			C	
28D/1011242	A25/7E	Bolt, 1/4" BSF hex. head, 1"20 long ...			C	
28D/1010031	A25/8E	Bolt, 1/4" BSF hex. head, 1"30 long ...			C	
28D/1011244	A25/9E	Bolt, 1/4" BSF hex. head, 1"40 long ...			C	
28D/1011245	A25/10E	Bolt, 1/4" BSF hex. head, 1"50 long ...			C	
28D/1011246	A25/11E	Bolt, 1/4" BSF hex. head, 1"60 long ...			C	
28D/12546	A25/14E	Bolt, 1/4" BSF hex. head, 1"90 long ...			C	
28D/1011256	A25/5G	Bolt, 5/16" BSF hex. head, 1"05 long ...			C	
28D/7002427	A25/6G	Bolt, 5/16" BSF hex. head, 1"15 long ...			C	
28D/1011257	A25/7G	Bolt, 5/16" BSF hex. head, 1"25 long ...			C	
28D/12818	A25/9G	Bolt, 5/16" BSF hex. head, 1"45 long ...			C	
28D/13582	A25/11G	Bolt, 5/16" BSF hex. head, 1"65 long ...			C	
28D/1006583	A25/5J	Bolt, 3/8" BSF hex. head, 1"15 long ...			C	
28D/1011302	A25/10J	Bolt, 3/8" BSF hex. head, 1"65 long ...			C	
28D/12718	A25/12J	Bolt, 3/8" BSF hex. head, 1"85 long ...			C	
28D/1011303	A25/13J	Bolt, 3/8" BSF hex. head, 1"95 long ...			C	
28D/14231	A25/5L	Bolt, 7/16" BSF hex. head, 1"20 long ...			C	
28D/12838	A28/1E	Bolt, 1/4" BSF hex. head, "60 long ...			C	
28D/16063	A61/2B	Bolt, 4 BA hex. head, "60 long ...			C	
28D/15909	A61/1E	Bolt, 1/4" BSF hex. head, "60 long ...			C	
28D/16033	A61/7E	Bolt, 1/4" BSF hex. head, 1"20 long ...			C	
28D/16128	A61/15E	Bolt, 1/4" BSF hex. head, 2"00 long ...			C	
28D/8300	AS.1242/1B	Bolt, 4 BA c'sk. head, "50 long ...			C	
28D/9131782	AS.1242/2B	Bolt, 4 BA c'sk. head, "60 long ...			C	
28D/1007468	AS.1242/3B	Bolt, 4 BA c'sk. head, "70 long ...			C	
28D/9294	AS.1242/5B	Bolt, 4 BA c'sk. head, "90 long ...			C	
28D/9130080	AS.1242/9B	Bolt, 4 BA c'sk. head, 1"30 long ...			C	

**EQUIPMENT, AIRCRAFT
PRESSURE CABIN EQUIPMENT**

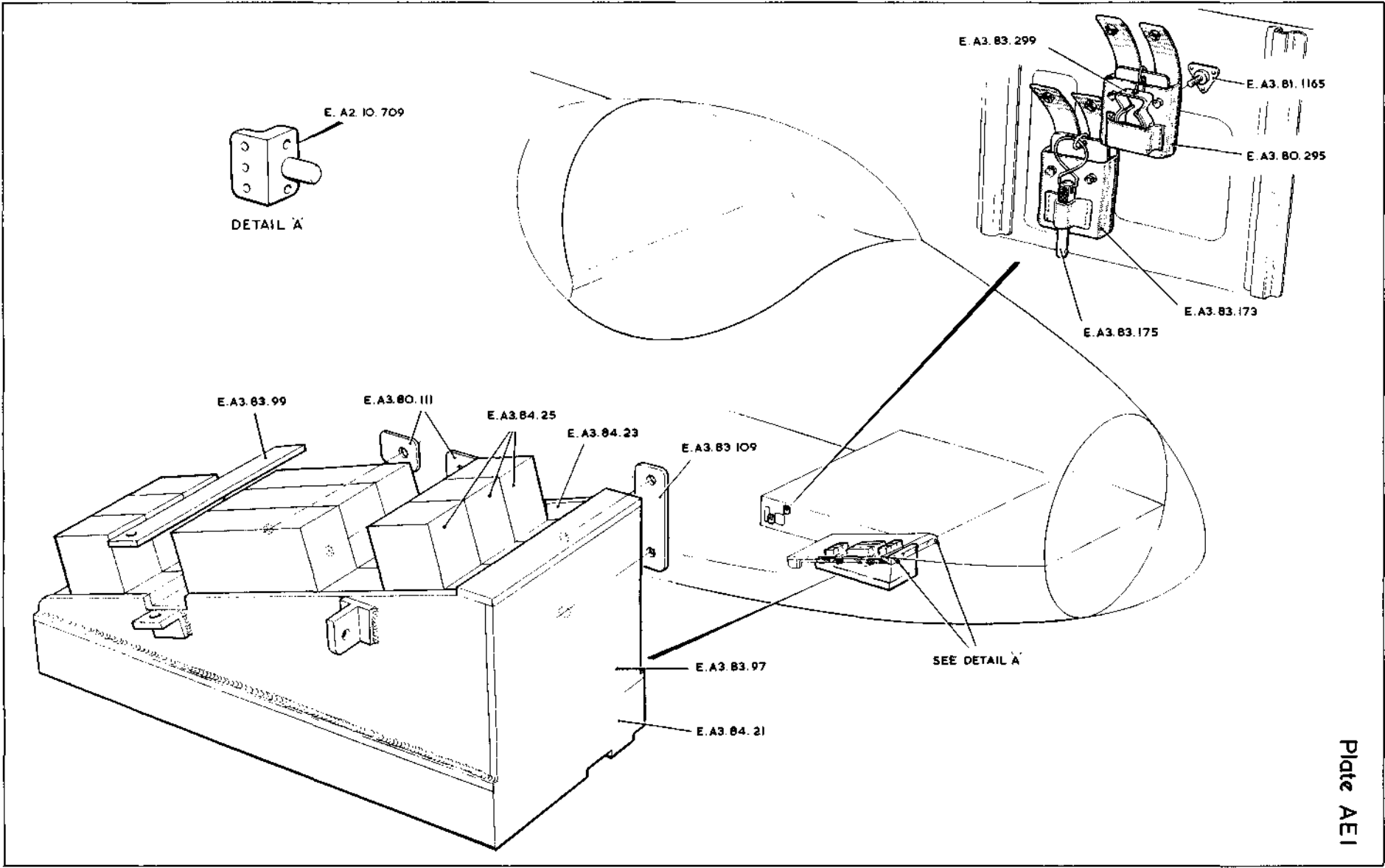
Ref. No.	Part No.	Description	No. off	Matl. Spec.	Cl. of Equip.		Plate No.
					M.R.	L.M.	
		1 2 3 4 5 6					
28D/8307	AS.1242/2C	Bolt, 2 BA c'sk. head, "65 long ...					C
28D/8309	AS.1242/4C	Bolt, 2 BA c'sk. head, "85 long ...					C
28D/8312	AS.1242/8C	Bolt, 2 BA c'sk. head, 1"25 long ...					C
28D/8316	AS.1242/13C	Bolt, 2 BA c'sk. head, 1"75 long ...					C
28D/8509	AS.1242/14C	Bolt, 2 BA c'sk. head, 1"85 long ...					C
28D/8320	AS.1242/23C	Bolt, 2 BA c'sk. head, 2"75 long ...					C
28D/1013179	AS.1242/6E	Bolt, 1/4" BSF c'sk. head, 1"10 long					C
28D/1013176	AS.1242/10E	Bolt, 1/4" BSF c'sk. head, 1"50 long					C
28D/8330	AS.1242/11E	Bolt, 1/4" BSF c'sk. head, 1"60 long					C
28D/11997	AS.1242/14E	Bolt, 1/4" BSF c'sk. head, 1"90 long					C
28D/8371	AS.1243/1B	Bolt, 4 BA c'sk. head, "50 long ...					C
28D/13662	AS.1244/7C	Bolt, 2 BA Raised head 1"15 long					C
28D/11937	AS.1246/1B	Bolt, 4 BA round head "50 long					C
28D/12137	AS.1246/4B	Bolt, 4 BA round head, "80 long					C
28D/12690	AS.1246/5B	Bolt, 4 BA round head, "90 long					C
28D/12481	AS.1246/14B	Bolt, 4 BA round head, 1"80 long					C
28D/9140202	AS.1246/1C	Bolt, 2 BA round head, "55 long					C
28D/9140203	AS.1246/3C	Bolt, 2 BA round head, "75 long					C
28D/11971	AS.1246/4C	Bolt, 2 BA round head, "85 long					C
28D/9745	AS.1246/1E	Bolt, 1/4" BSF round head, "60 long					C
28D/10570	AS.1247/1C	Bolt, 2 BA round head, "55 long					C
28D/9128739	AS.1246/1B	Bolt, 4 BA mushroom head, "45 long					C
28D/8337	AS.1248/1B	Bolt, 4 BA mushroom head, "50 long					C
28D/9744	AS.1248/2B	Bolt, 4 BA mushroom head, "60 long					C
28D/1007982	AS.1248/1C	Bolt, 2 BA mushroom head, "55 long					C
28D/9554	AS.1248/7E	Bolt, 1/4" BSF mushroom head, 1"20 long					C
28D/10114	AS.1249/1B	Bolt, 4 BA mushroom head, "45 long					C
28D/12761	AS.2920/5E	Bolt, 1/4" BSF c'sk. head, 1"00 long					C
28D/9294	AS.2922/4B	Bolt, 4 BA mushroom head, "80 long					C
28D/15988	AS.4565/4C	Bolt, 2 BA round head, "85 long					C
28D/16855	AS.4565/9E	Bolt, 1/4" BSF round head, 1"40 long					C
28D/16856	AS.4565/10E	Bolt, 1/4" BSF round head, 1"50 long					C
28D/16857	AS.4565/31E	Bolt, 1/4" BSF round head, 3"60 long					C
28D/14973	AS.4566/3B	Bolt, 4 BA mushroom head, "70 long					C
28E/10045	AS.2294/8	Clip, spring ...					C
28K/6184	SP.7/Y/B	Fork, joint, 4 BA ...					C
28M/9403519	A27/BP	Nut, 4 BA, plain L.H. ...					C
28M/9403520	A27/CP	Nut, 2 BA, plain L.H. ...					C
28M/12928	A27/EP	Nut, 1/4" BSF, plain R.H. ...					C
28M/1011473	A27/JP	Nut, 3/8" BSF, plain ...					C
28M/13121	A27/CS	Nut, 2 BA slotted, R.H. ...					C
28M/1011467	A27/ES	Nut, 1/4" BSF slotted, R.H. ...					C
28M/1006962	A53/Z	Nut, 8 BA plain ...					C
28M/10286	AGS.2001/A/1	Nut, stiff, 6 BA ...					C
28M/10279	AGS.2001/A/3	Nut, stiff, 6 BA ...					C
28M/10273	AGS.2001/A/4	Nut, stiff, 6 BA ...					C
28M/10287	AGS.2001/B/1	Nut, stiff, 4 BA ...					C
28M/10280	AGS.2001/B/3	Nut, stiff, 4 BA ...					C
28M/10274	AGS.2001/B/4	Nut, stiff, 4 BA ...					C
28M/10288	AGS.2001/C/1	Nut, stiff, 2 BA ...					C
28M/10281	AGS.2001/C/3	Nut, stiff, 2 BA ...					C
28M/10275	AGS.2001/C/4	Nut, stiff, 2 BA ...					C
28M/10290	AGS.2001/E/1	Nut, stiff, 1/4" BSF ...					C
28M/10299	AGS.2001/E/2	Nut, stiff, 1/4" BSF ...					C

**EQUIPMENT, AIRCRAFT
PRESSURE CABIN EQUIPMENT**

Ref. No.	Part No.	Description	No. off	Matl. Spec.	Cl. of Equip.		Plate No.
					M.R.	L.M.	
		1 2 3 4 5 6					
28M/10282	AGS.2001/E/3	Nut, stiff, 1/4" BSF	...			C	
28M/10291	AGS.2001/G/1	Nut, stiff, 1/4" BSF	...			C	
28M/10292	AGS.2001/J/1	Nut, stiff, 3/8" BSF	...			C	
28M/10293	AGS.2001/L/1	Nut, stiff, 1/2" BSF	...			C	
28M/10326	AGS.2002/A/1	Nut, stiff, 6:BA	...			C	
28M/10308	AGS.2002/A/4	Nut, stiff, 6:BA	...			C	
28M/10327	AGS.2002/B/1	Nut, stiff, 4:BA	...			C	
28M/10318	AGS.2002/B/3	Nut, stiff, 4:BA	...			C	
28M/10328	AGS.2002/C/1	Nut, stiff, 2 BA	...			C	
28M/10310	AGS.2002/C/4	Nut, stiff, 2 BA	...			C	
28M/7002430	AGS.2002/E/1	Nut, stiff, 1/4" BSF	...			C	
28N/5548	AGS.899/1	Collar, 3/8"	...			C	
28P/814	SP/4/Y/A4	Pin, shackle, 3/8"	...			C	
28P/819	SP/4/Y/B3	Pin, shackle, 3/8"	...			C	
28P/5488	SP/4/Z/A1	Pin, shackle, 3/8"	...			C	
28P/5489	SP/4/Z/A2	Pin, shackle, 3/8"	...			C	
28P/13823	SP/9/B6	Pin, split, 3/64"	...			C	
28P/9429619	SP/9/C5	Pin, split, 1/8"	...			C	
28S/9419435	A31/B12	Screw, 4 BA, cheese head, 3/8" long	...			C	
28S/9419453	A31/B14	Screw, 4 BA, cheese head, 7/8" long	...			C	
28S/1005622	A31/B28	Screw, 4 BA, cheese head, 7/8" long	...			C	
28S/9131095	A31/C14	Screw, 2 BA, cheese head, 7/8" long	...			C	
28S/9997545	A31/C16	Screw, 2 BA, cheese head, 1/2" long	...			C	
28S/9435713	A31/C20	Screw, 2 BA, cheese head, 5/8" long	...			C	
28S/9992524	A32/A8	Screw, 6 BA, round head, 1/2" long	...			C	
28S/9995324	A32/A16	Screw, 6 BA, round head, 1/2" long	...			C	
28S/6287	A32/B6	Screw, 4 BA, round head, 7/8" long	...			C	
28S/9992525	A32/B12	Screw, 4 BA, round head, 3/8" long	...			C	
28S/9992522	A32/B16	Screw, 4 BA, round head, 1/2" long	...			C	
28S/2856	A32/C12	Screw, 2 BA, round head, 3/8" long	...			C	
28S/1011490	A32/C16	Screw, 2 BA, round head, 1/2" long	...			C	
28S/2892	A32/C40	Screw, 2 BA, round head, 1 1/4" long	...			C	
28S/1200055	A33/A6	Screw, 6 BA, c'sk. head, 7/8" long	...			C	
28S/1200062	A33/A20	Screw, 6 BA, c'sk. head, 5/8" long	...			C	
28S/9992531	A33/A24	Screw, 6 BA, c'sk. head, 3/4" long	...			C	
28S/6350	A40/B12	Screw, 4 BA, round head, 3/8" long	...			C	
28S/15094	A40/B14	Screw, 4 BA, c'sk. head, 7/8" long	...			C	
28S/6577	A40/B16	Screw, 4 BA, c'sk. head, 1/2" long	...			C	
28S/6250	A40/C12	Screw, 2 BA, c'sk. head, 3/8" long	...			C	
28S/8729	A40/C32	Screw, 2 BA, c'sk. head, 1" long	...			C	
28S/14318	A41/B16	Screw, 4 BA, c'sk. head, 1/2" long	...			C	
28S/9148118	A43/B10	Screw, 4 BA, cheese head, 1/4" long	...			C	
28S/1012356	A43/B12	Screw, 4 BA, cheese head, 3/8" long	...			C	
28S/1006977	A43/Z8	Screw, 8 BA, cheese head, 1/4" long	...			C	
28S/2432	A44/A28	Screw, 6 BA, round head, 7/8" long	...			C	
28S/9145185	A44/B12	Screw, 4 BA, round head, 3/8" long	...			C	
28S/2413	A44/B16	Screw, 4 BA, round head, 1/2" long	...			C	
28S/1013430	A44/B20	Screw, 4 BA, round head, 5/8" long	...			C	
28S/2425	A44/B24	Screw, 4 BA, round head, 3/4" long	...			C	
28S/2431	A44/B28	Screw, 4 BA, round head, 7/8" long	...			C	
28S/2437	A44/B32	Screw, 4 BA, round head, 1" long	...			C	
28S/15341	A44/C14	Screw, 2 BA, round head, 7/8" long	...			C	
28S/2418	A44/C20	Screw, 2 BA, round head, 5/8" long	...			C	
28S/2430	A44/C28	Screw, 2 BA, round head, 7/8" long	...			C	

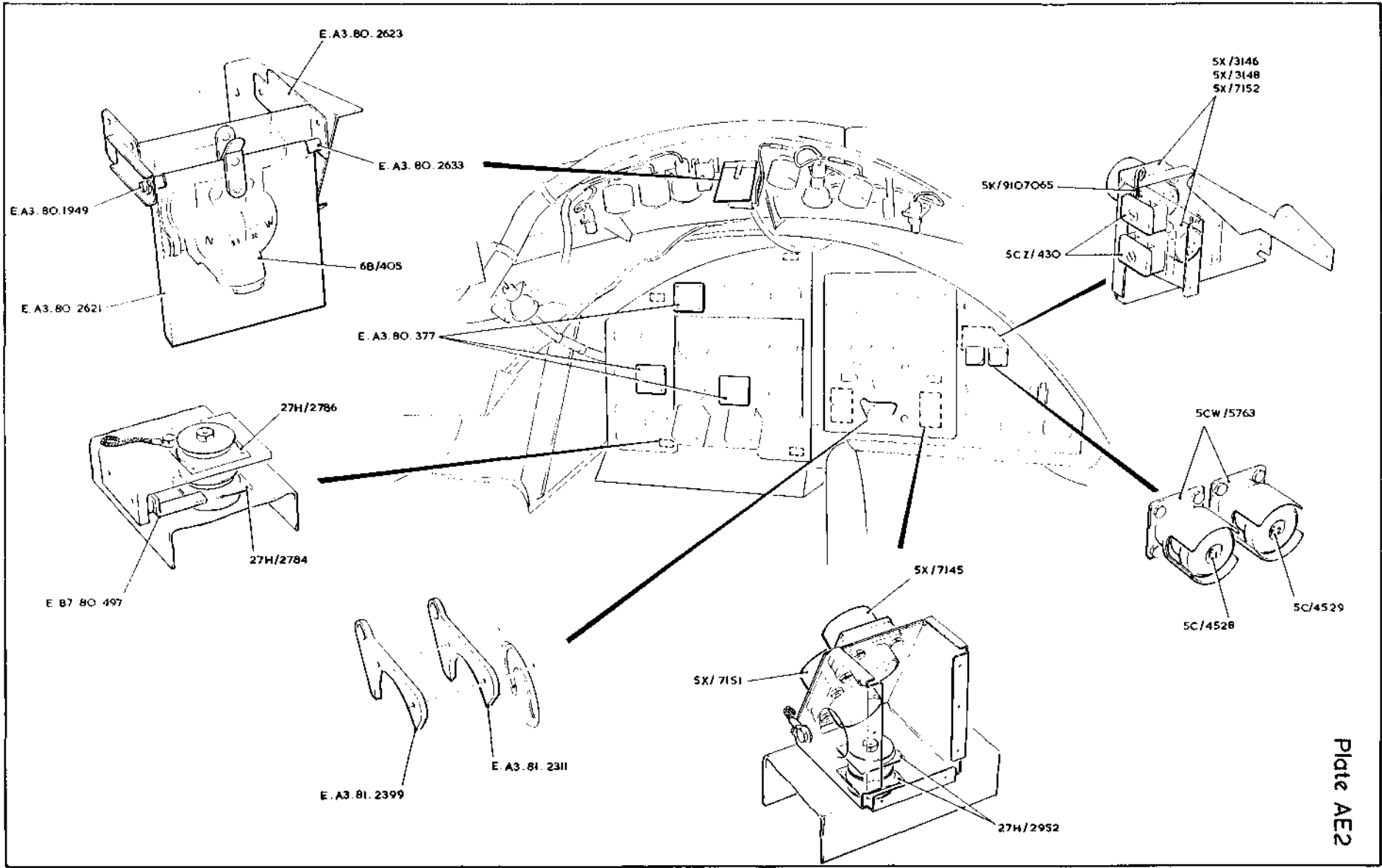
**EQUIPMENT, AIRCRAFT
PRESSURE CABIN EQUIPMENT**

Ref. No.	Part No.	Description	No. off	Matl. Spec.	Cl. of Equip.		Plate No
					M.R.	L.M.	
		1 2 3 4 5 6					
28S/2436	A44/C32	Screw, 2 BA round head, 1" long ...					C
28S/2442	A44/C40	Screw, 2 BA, round head, 1 1/4" long ...					C
28S/2152	A45/A32	Screw, 6 BA, c'sk. head, 1" long ...					C
28S/2127	A45/B16	Screw, c'sk. head, 1/2" long ...					C
28S/14705	A55/A4	Screw, grub, 1/4"					C
28S/9451792	AGS.56/B4	Screw, grub, 1/4"					C
28U/13992	AS.2385	Trunnion, 3/8"					C
28W/9419465	SP.13/B	Washer, 4 BA, plain ...					C
28W/9419402	SP.13/C	Washer, 2 BA, plain ...					C
28W/9418921	SP.13/E	Washer, 1/2" BSF, plain ...					C
28W/9419466	SP.13/J	Washer, 3/4" BSF, plain ...					C
28W/12664	SP.14/B	Washer, 4 BA, plain ...					C
28W/9419474	SP.15/B	Washer, 4 BA, plain ...					C
28W/9419475	SP.15/C	Washer, 2 BA, plain ...					C
28W/9419405	SP.15/E	Washer, 1/2" BSF, plain ...					C
28W/9419476	SP.15/G	Washer, 3/8" BSF, plain ...					C
28W/9419477	SP.15/J	Washer, 7/8" BSF, plain ...					C
28W/9419478	SP.15/L	Washer, 1 1/8" BSF, plain ...					C
28W/9419487	SP.16/E	Washer, 1" BSF, plain ...					C
28W/9416642	SP.47/B	Washer, 4 BA, spring ...					C
28W/9416643	SP.47/C	Washer, 2 BA, spring ...					C
28W/9416646	SP.47/J	Washer, 3/8" spring ...					C
28W/3097	AGS.162/B	Washer, spring ...					C
28W/3098	AGS.162/C	Washer, spring ...					C
28W/3099	AGS.162/D	Washer, spring ...					C
28W/6317	AGS.585/D	Washer, spring ...					C
28W/3537	AGS.1583/D	Washer, 6 BA, spring ...					C
28W/1007776	AGS.2034/B	Washer, shakeproof, 6 BA ...					C
28W/9419448	AGS.2035/B	Washer, 4 BA, shakeproof ...					C
28W/11121	AGS.2037/AA	Washer, 8 BA, shakeproof ...					C
28W/1200328	AGS.2037/B	Washer, 4 BA, shakeproof ...					C



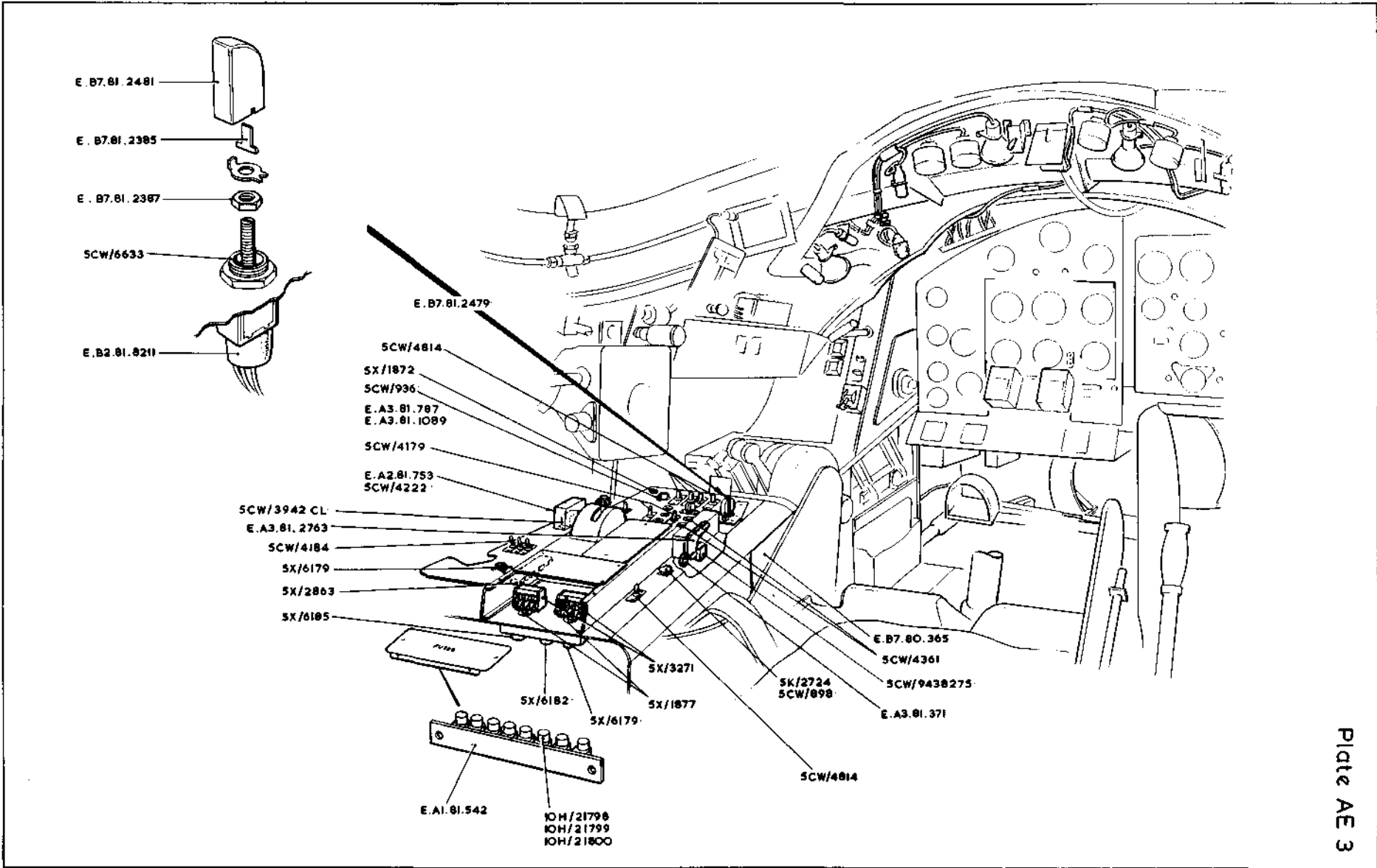
RESTRICTED
PRESSURE CABIN — EQUIPMENT





RESTRICTED
PRESSURE CABIN—EQUIPMENT
RESTRICTED

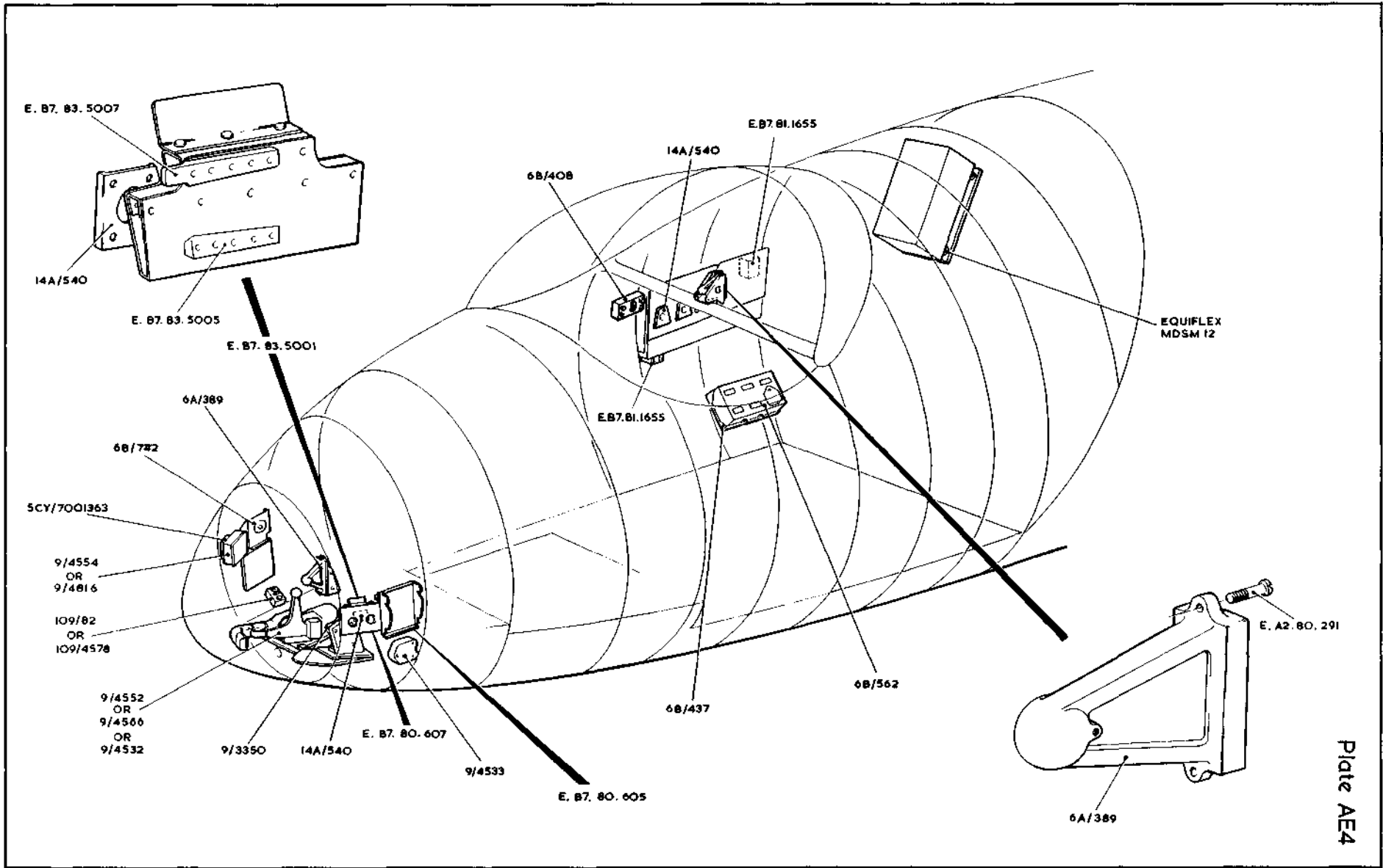




RESTRICTED
PRESSURE CABIN - EQUIPMENT
RESTRICTED



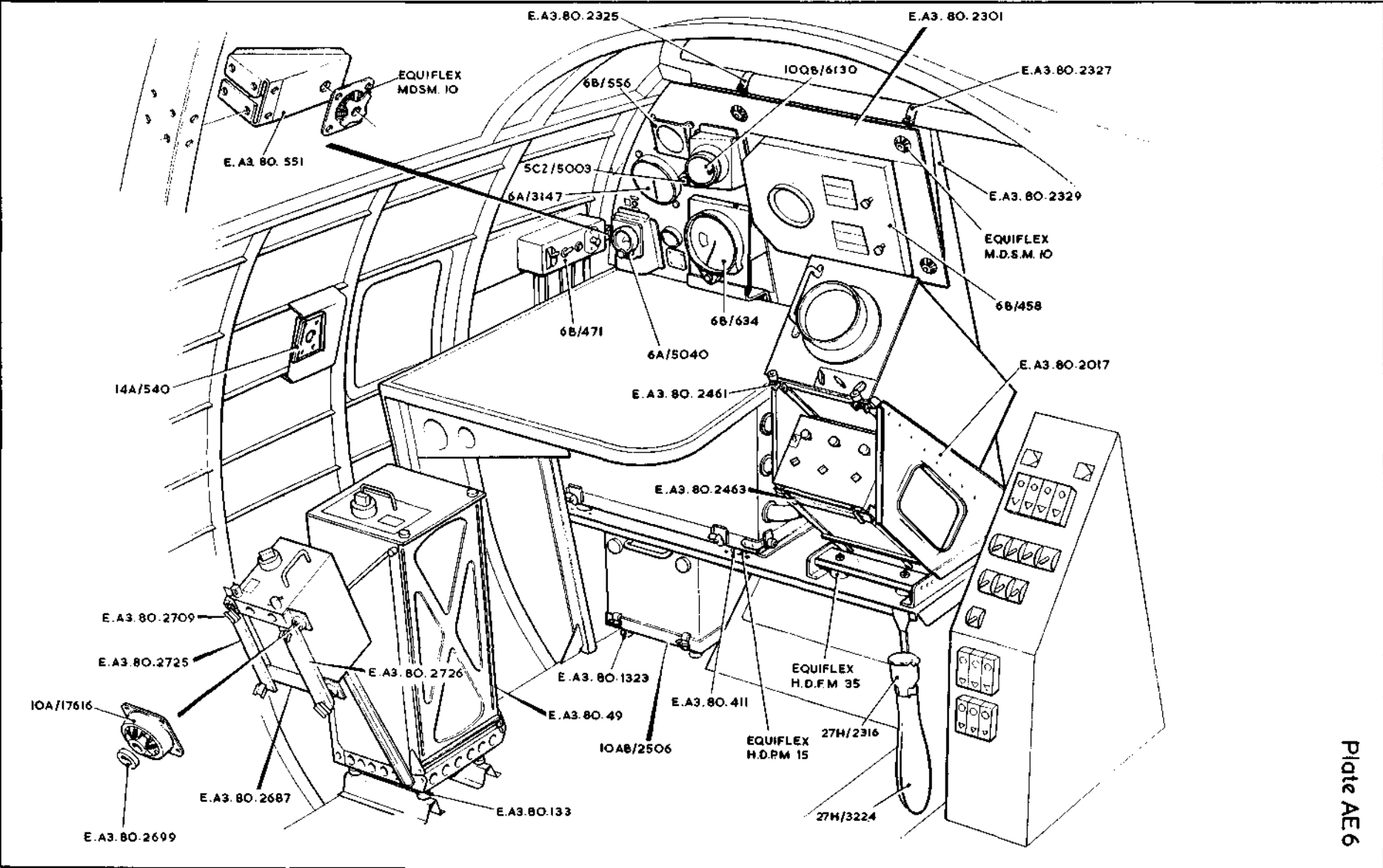
Plate AE4



RESTRICTED
PRESSURE CABIN - EQUIPMENT







RESTRICTED
PRESSURE CABIN—EQUIPMENT



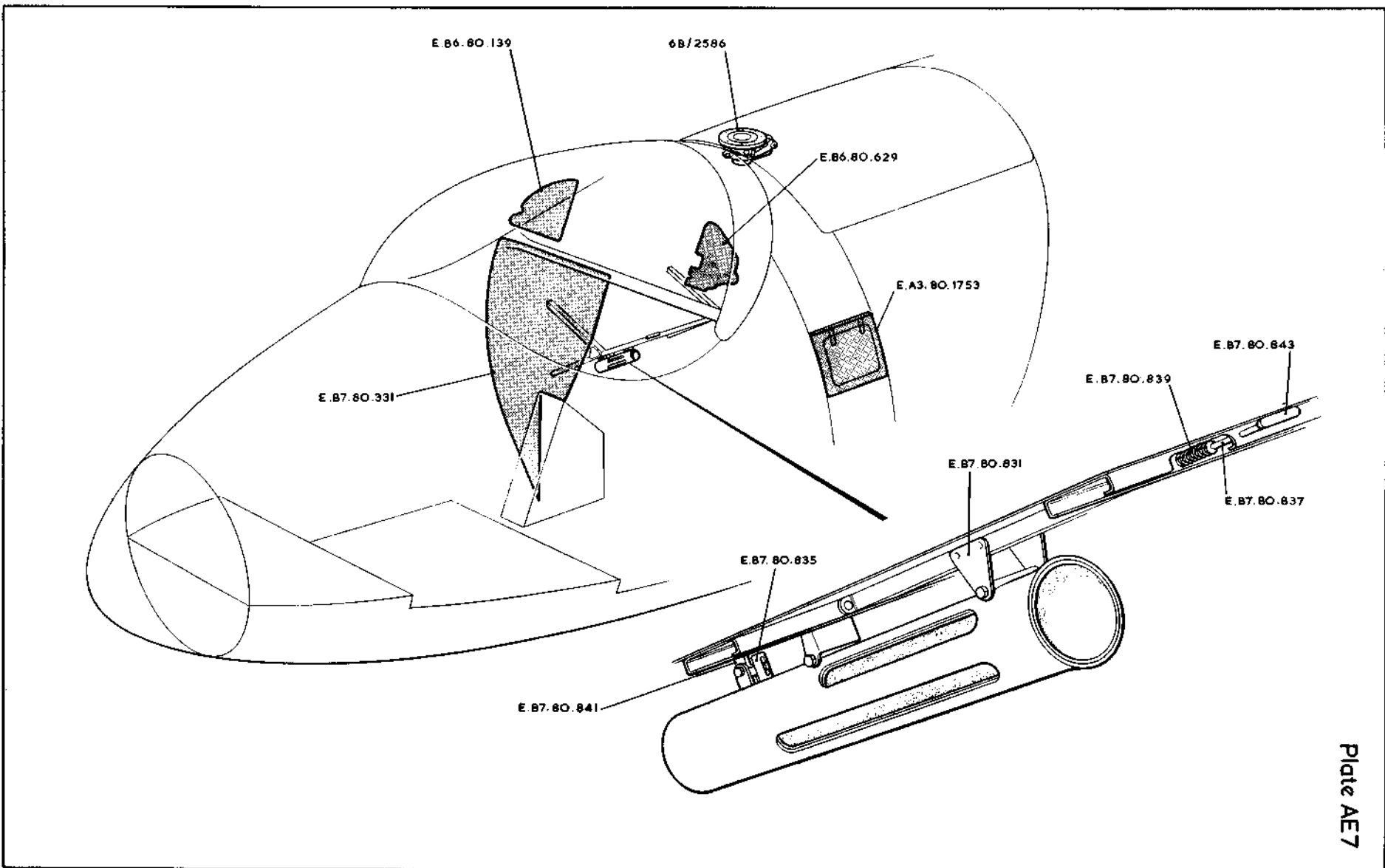
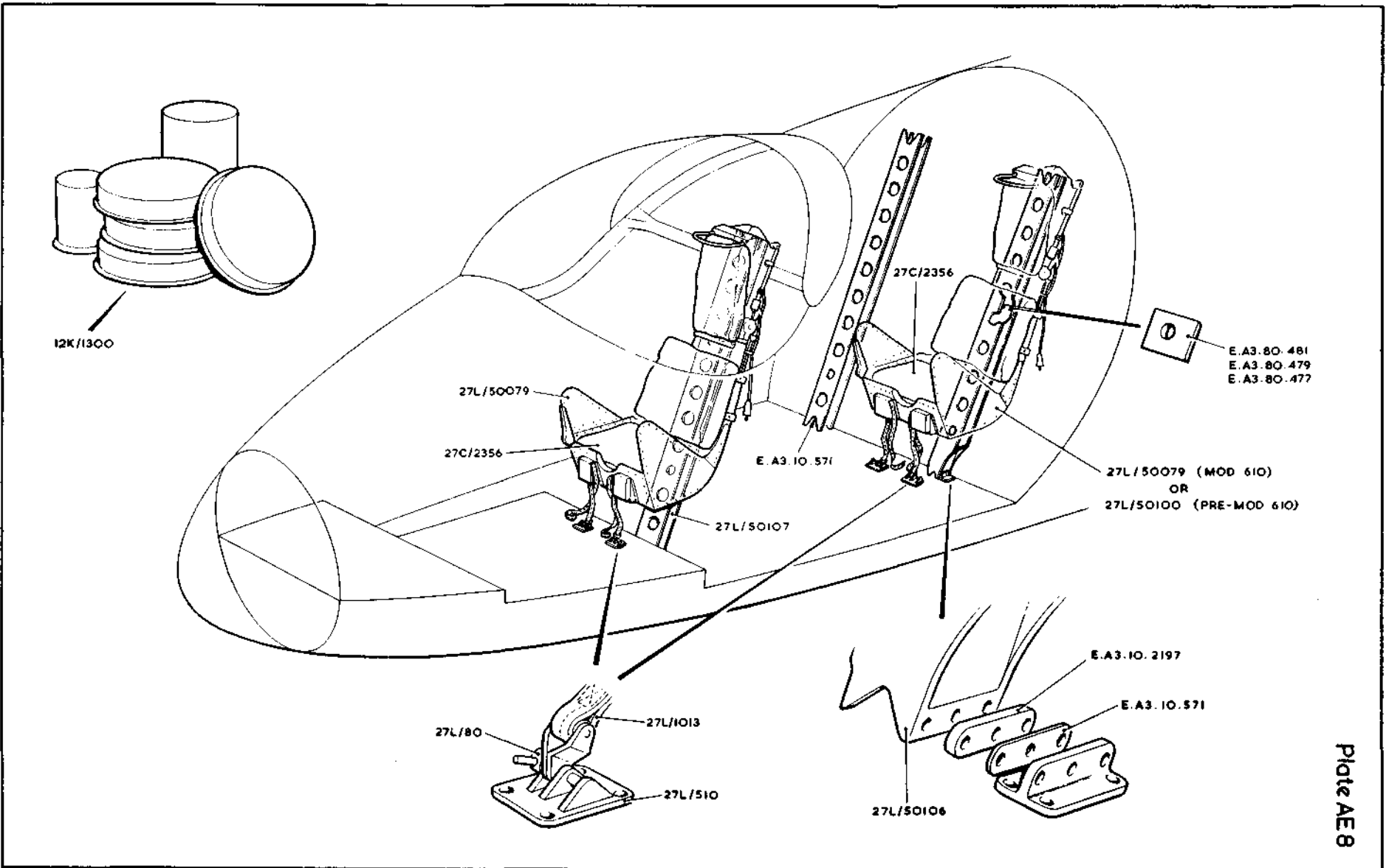


Plate AE7

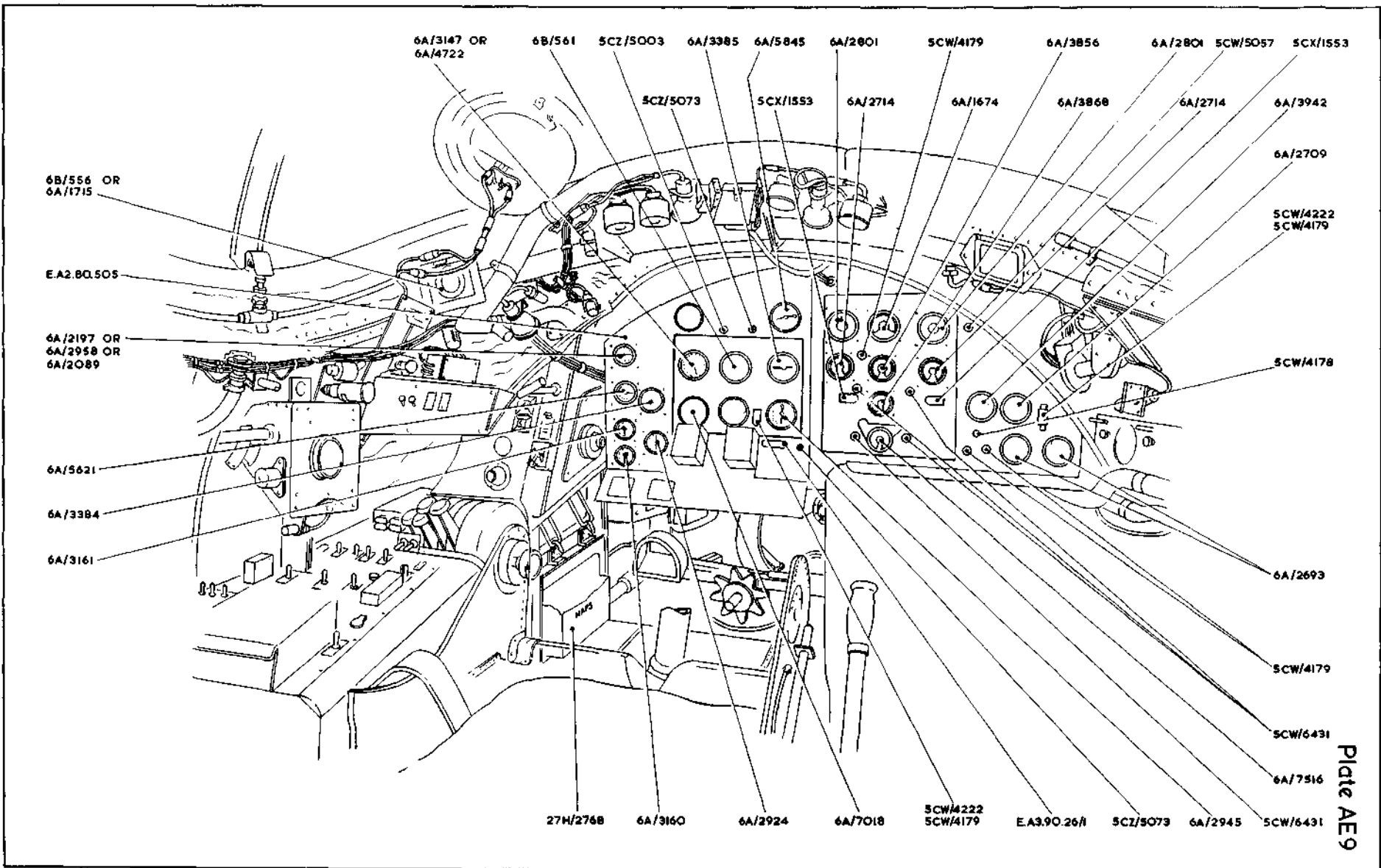
RESTRICTED
PRESSURE CABIN—EQUIPMENT





RESTRICTED
PRESSURE CABIN - EQUIPMENT



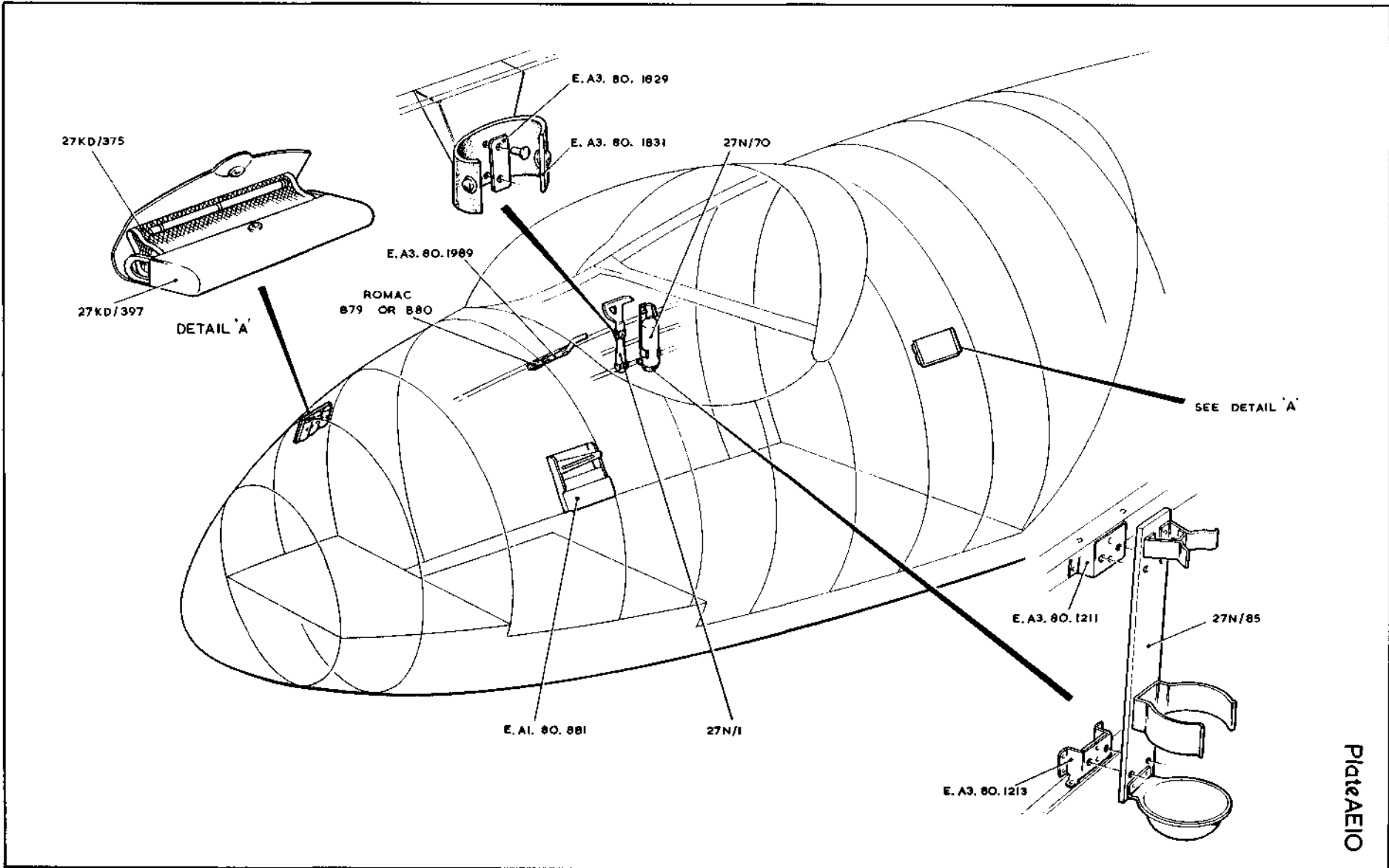


PRESSURE CABIN - EQUIPMENT

RESTRICTED



PIATAEIO

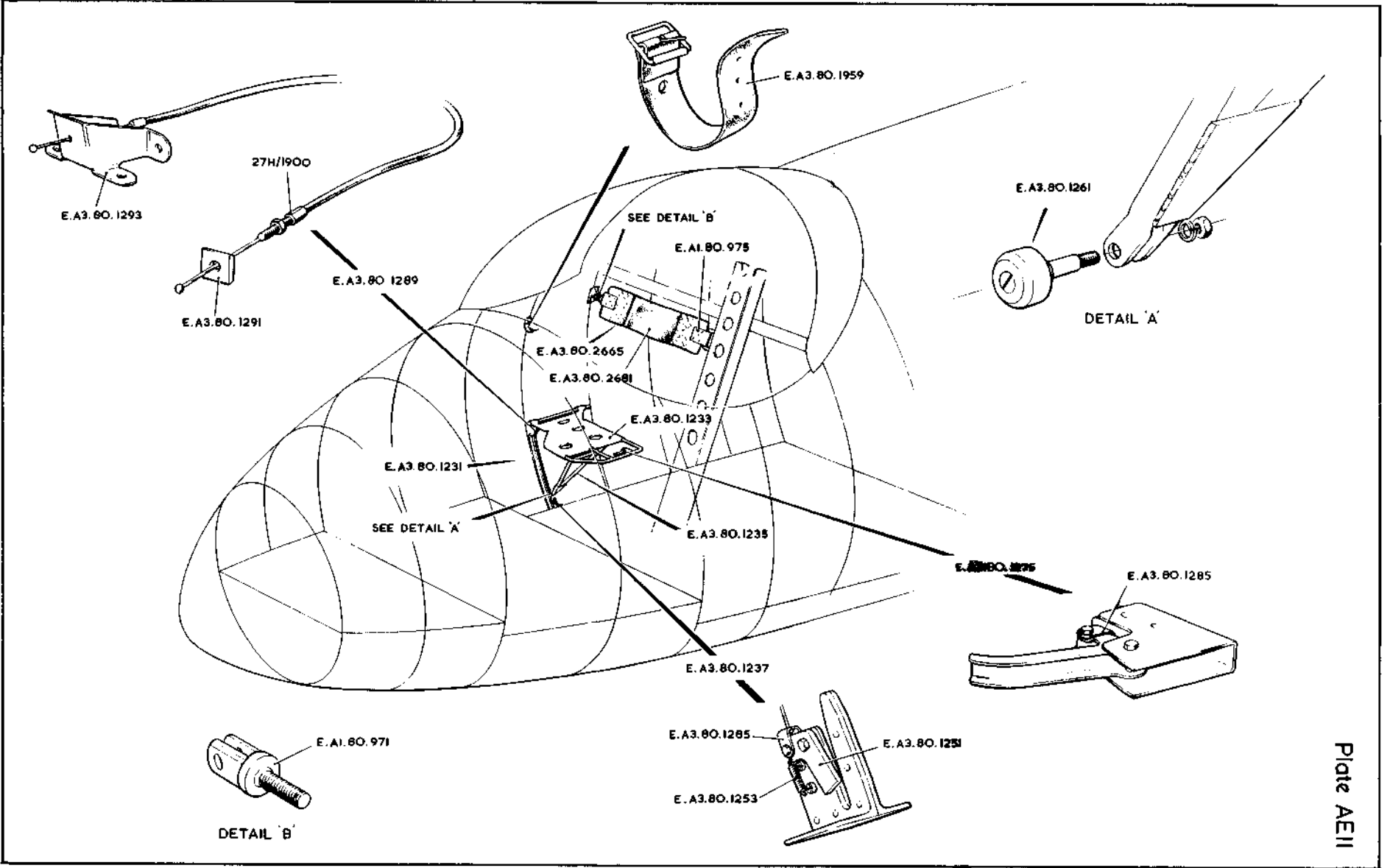


PRESSURE CABIN - EQUIPMENT

RESTRICTED

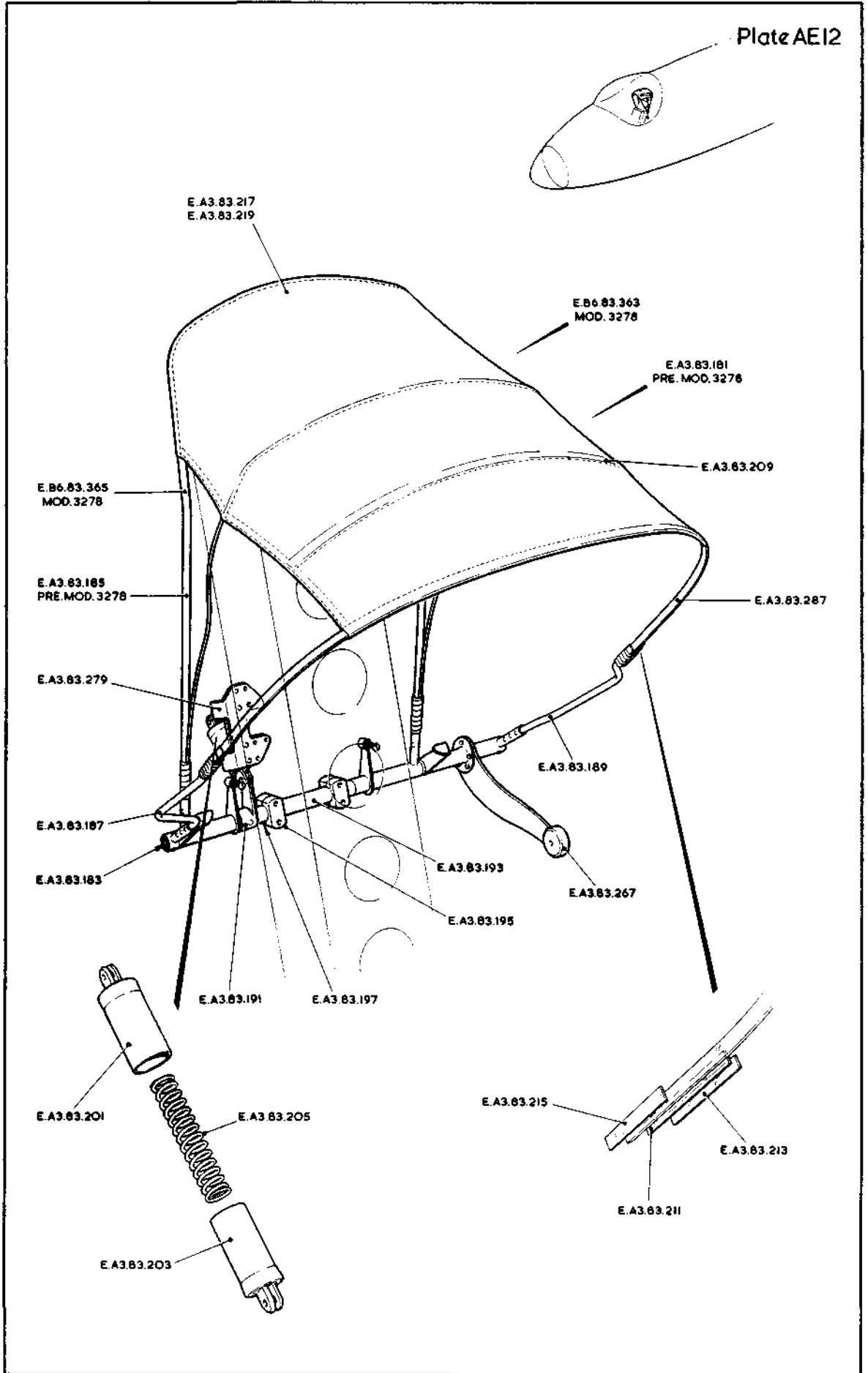


Plate AE11



RESTRICTED
PRESSURE CABIN - EQUIPMENT





PRESSURE CABIN - EQUIPMENT

RESTRICTED



This file was downloaded
from the RTFM Library.

Link: www.scottbouch.com/rtfm

Please see site for usage terms,
and more aircraft documents.

