

**MISCELLANEOUS
ATTACHMENT DETAILS**

Ref. No	Part No.	Description	No. off	Matl. Spec.	Cl. of Equip.		Plate No.
					M.R.	L.M.	
	E.A1.00.21	WING TO FUSELAGE, ATTACHMENT DETAILS, PORT	—	—	—	—	
		Spares for:—					
2089	E.A3.20.135	Block, sealing, wing to fuselage joint	1	Linatex Rubber	C		MA.1
2090	E.A1.20.2897	Block, sealing, wing to fuselage joint	1	Linatex Rubber	C		MA.1
384	E.A1.20.2899	Block, sealing, wing to fuselage joint	1	Linatex Rubber	C		MA.1
387	E.A1.20.1101	Bolt, main pick up, wing to fuselage attachment ...	2	DTD.473	C		MA.1
385	E.A1.20.2277	Bolt, special, wing to fuselage attachment	2	DTD.473	C		MA.1
28D/12515	A25/10C	Bolt, 2 BA, hex. head, 1"45 long	1	—	C		MA.1
28D/13586	A25/10N	Bolt, 1" BSF, hex. head, 1"8 long	1	—	C		MA.1
28D/12292	AGS.571/906	Bolt, shear, attachment, main spar to fuselage at frame 21	7	—	C		MA.1
4983	E.A1.11.129	Collar, special, rear spar to fuselage	1	DTD.126A	M/C		
2091	E.A3.20.573	Gusset, top, main spar, closing panel	1	—	C		MA.1
2092	E.A3.20.574	Gusset, top, main spar, closing panel	1	—	C		MA.1
2093	E.A3.20.575	Gusset, bottom, main spar, closing panel	1	—	C		MA.1
2094	E.A3.20.576	Gusset, bottom, main spar, closing panel	1	—	C		MA.1
28M/13123	A27/JS	Nut, 1/2" BSF, slotted	2	—	C		
28M/13259	A27/NS	Nut, 1/2" BSF, slotted	1	—	C		MA.1
28M/13276	A27/VS	Nut, 1" BSF, slotted	2	—	C		MA.1
28M/7748	AGS.572/J	Nut, 3/8" BSF, thin, slotted	7	—	C		MA.1
28M/10288	AGS.2001/C/1	Nut, stiff, 2 BA	72	—	C		MA.1
386	E.A1.20.2275	Pad, special, wing attachment bolt	2	S.11	C		MA.1
4984	E.A1.11.127	Pin, special, rear spar to fuselage	1	S.11	M/C		
28P/12351	SP.9/E8	Pin, split	7	—	C		MA.1
28P/9429652	SP.9/E10	Pin, split	1	—	C		MA.1
28P/12721	SP.9/H16	Pin, split	2	—	C		MA.1
28P/12366	SP.9/K20	Pin, split	2	—	C		MA.1
1025	EEAS.1/1C	Screw, 2 BA, c'sk. head, 120°	28	—	C		MA.1
1026	EEAS.1/1 1/2 C	Screw, 2 BA, c'sk. head, 120°	430	—	C		MA.1
1027	EEAS.1/2 1/2 C	Screw, 2 BA, c'sk. head, 120°	24	—	C		MA.1
1029	EEAS.1/4C	Screw, 2 BA, c'sk. head, 120°	44	—	C		
1425	E.A3.20.689	Strip, closing, upper, aft of spar	1	—	C		
1427	E.A3.20.691	Strip, closing, lower, aft of spar	1	—	C		
4985	E.A1.11.131	Washer, distance, rear spar to fuselage	1	L.40	M/C		
2095	E.A1.20.1335	Washer, special, main pick-up bolt	2	L.72	C		MA.1
15491	EEAS.27/16EU	Washer, 18 SWG	24	DTD.124	C		
2096	EEAS.27/16GU	Washer, 14 SWG	72	DTD.124	C		MA.1
28W/3089	AGS.163/C	Washer, 2 BA, spring	36	—	C		MA.1
28W/9419491	SP.16/N	Washer, 1" BSF, plain	1	—	C		MA.1
28W/9419480	SP.15/P	Washer, 3/8" BSF, plain	7	—	C		MA.1
	E.A1.00.22	WING TO FUSELAGE, ATTACHMENT DETAILS, STARBOARD	—	—	—	—	
		Spares for this assembly are identical with those for assembly Part No. E.A1.00.21, except for the following deletions and additions					
		Delete:—					
1425	E.A3.20.689	Strip, closing, upper, aft of spar	1	—	C		
1427	E.A3.20.691	Strip, closing, lower, aft of spar	1	—	C		
		Add:—					
1426	E.A3.20.690	Strip, closing, upper, aft of spar	1	—	C		
1428	E.A3.20.692	Strip, closing, lower, aft of spar	1	—	C		

MISCELLANEOUS ATTACHMENT DETAILS

Ref. No.	Part No.	Description	No. off	Matl. Spec.	Cl. of Equip.	Plate No.
					M.R. L.M.	
	E.A2.00.23	FRONT FUSELAGE TO CENTRE FUSELAGE, ATTACHMENT DETAILS Consisting of:—	—	—	—	
28D/12513	A25/2C	Bolt, 2 BA, hex. head, "65 long	4	—	C	
28D/12542	A25/5E	Bolt, 1/4" BSF, hex. head, 1"0 long	12	—	C	
28D/12543	A25/6E	Bolt, 1/4" BSF, hex. head, 1"1 long	16	—	C	
28D/12633	A25/7E	Bolt, 1/4" BSF, hex. head, 1"2 long	12	—	C	
28D/12674	A25/9E	Bolt, 1/4" BSF, hex. head, 1"4 long	4	—	C	
28D/12569	A25/10E	Bolt, 1/4" BSF, hex. head, 1"5 long	4	—	C	
28D/12546	A25/14E	Bolt, 1/4" BSF, hex. head, 1"9 long	4	—	C	
28D/12787	A25/5G	Bolt, 7/8" BSF, hex. head, 1"05 long	1	—	C	
	E.A2.10.387	Cleat	2	—	—	
4680	E.A2.83.1391	Cleat	1	—	C	
	E.A2.10.388	Cleat	2	—	—	
	E.A2.83.1392	Cleat	1	—	—	
15849	E.A2.11.711	Lug, attachment	4	—	C/MR	
28M/12931	A27/ET	Nut, 1/4" BSF, thin	56	—	C	
28M/13375	A27/GP	Nut, 1/8" BSF, plain	1	—	C	
28M/10288	AGS.2001/C/1	Nut, stiff, 2 BA	4	—	C	
	E.A2.10.635	Packing	2	—	—	
	E.A2.10.385	Plate, joint	4	—	—	
15848	E.A2.11.707	Plate, joint	4	—	C/MR	
	E.A2.11.2853	Shim, laminated	4	—	—	
28W/9419405	SP.15/E	Washer, 1/4" BSF, plain	64	—	C	
28W/9419402	SP.13/C	Washer, 2 BA, plain	4	—	C	
28W/9419476	SP.15/G	Washer, 1/8" BSF, plain	1	—	C	
	E.B7.00.25	CENTRE FUSELAGE TO REAR FUSELAGE, ATTACHMENT DETAILS Consisting of:—	—	—	—	
28D/12543	A25/6E	Bolt, 1/4" BSF, hex. head, 1"1 long	54	—	C	
28D/12633	A25/7E	Bolt, 1/4" BSF, hex. head, 1"2 long	8	—	C	
28D/12674	A25/9E	Bolt, 1/4" BSF, hex. head, 1"4 long	2	—	C	
28D/12569	A25/10E	Bolt, 1/4" BSF, hex. head, 1"5 long	10	—	C	
28D/12545	A25/13E	Bolt, 1/4" BSF, hex. head, 1"8 long	12	—	C	
28D/12639	A25/6G	Bolt, 1/8" BSF, hex. head, 1"15 long	16	—	C	
28D/12816	A25/7G	Bolt, 1/8" BSF, hex. head, 1"25 long	8	—	C	
28D/12820	A25/13G	Bolt, 1/8" BSF, hex. head, 1"85 long	30	—	C	
28D/12552	A25/15G	Bolt, 1/8" BSF, hex. head, 2"05 long	12	—	C	
28D/13472	A25/16N	Bolt, 1/4" BSF, hex. head, 2"4 long	2	—	C	
28D/12834	A25/18N	Bolt, 1/4" BSF, hex. head, 2"6 long	2	—	C	
33C/1173	CS.2558	Cement	QR	—	C	
28M/10290	AGS.2001/E/1	Nut, 1/4" BSF	86	—	C	
28M/10291	AGS.2001/G/1	Nut, stiff, 1/8" BSF	66	—	C	
28M/10294	AGS.2001/N/1	Nut, stiff, 1/4" BSF	4	—	C	
28W/9419405	SP.15/E	Washer, 1/4" BSF, plain	64	—	C	
28W/9419476	SP.15/G	Washer, 1/8" BSF, plain	16	—	C	
5484	E.A1.10.2713	Washer, special	4	—	C/MR	

**MISCELLANEOUS
ATTACHMENT DETAILS**

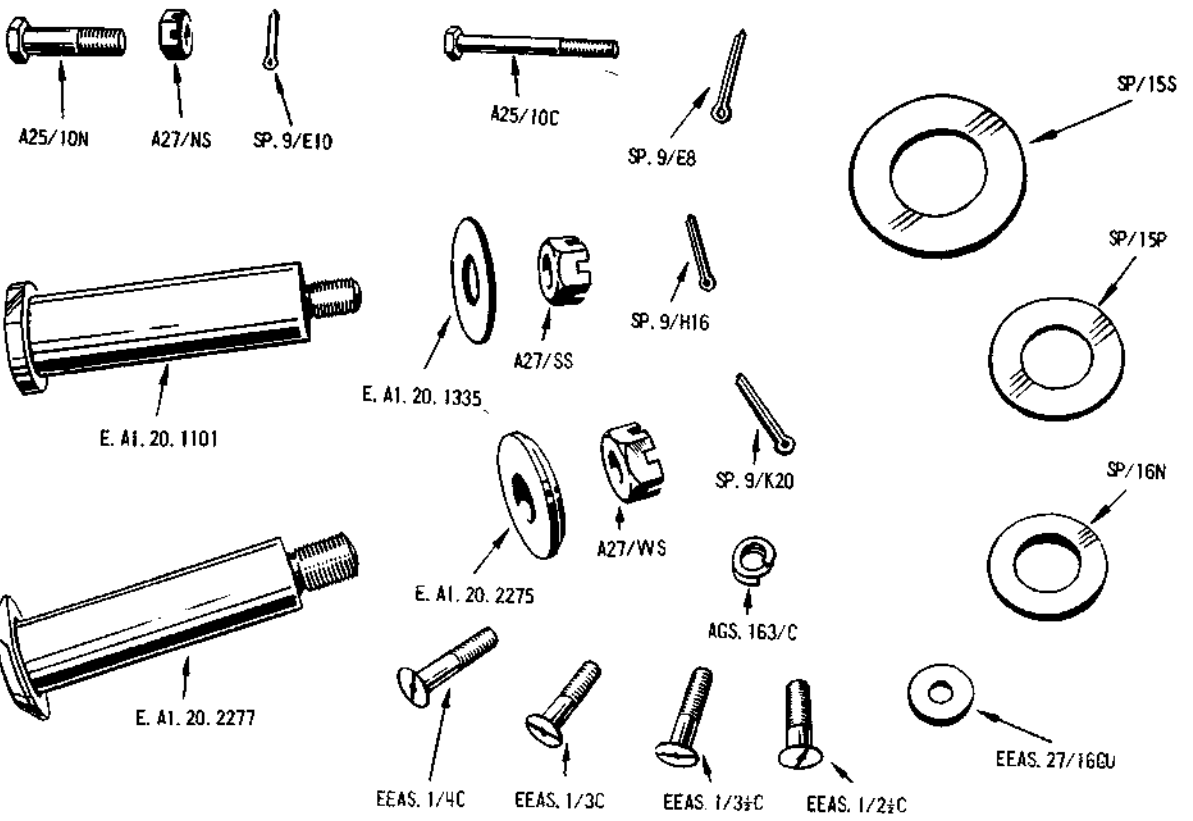
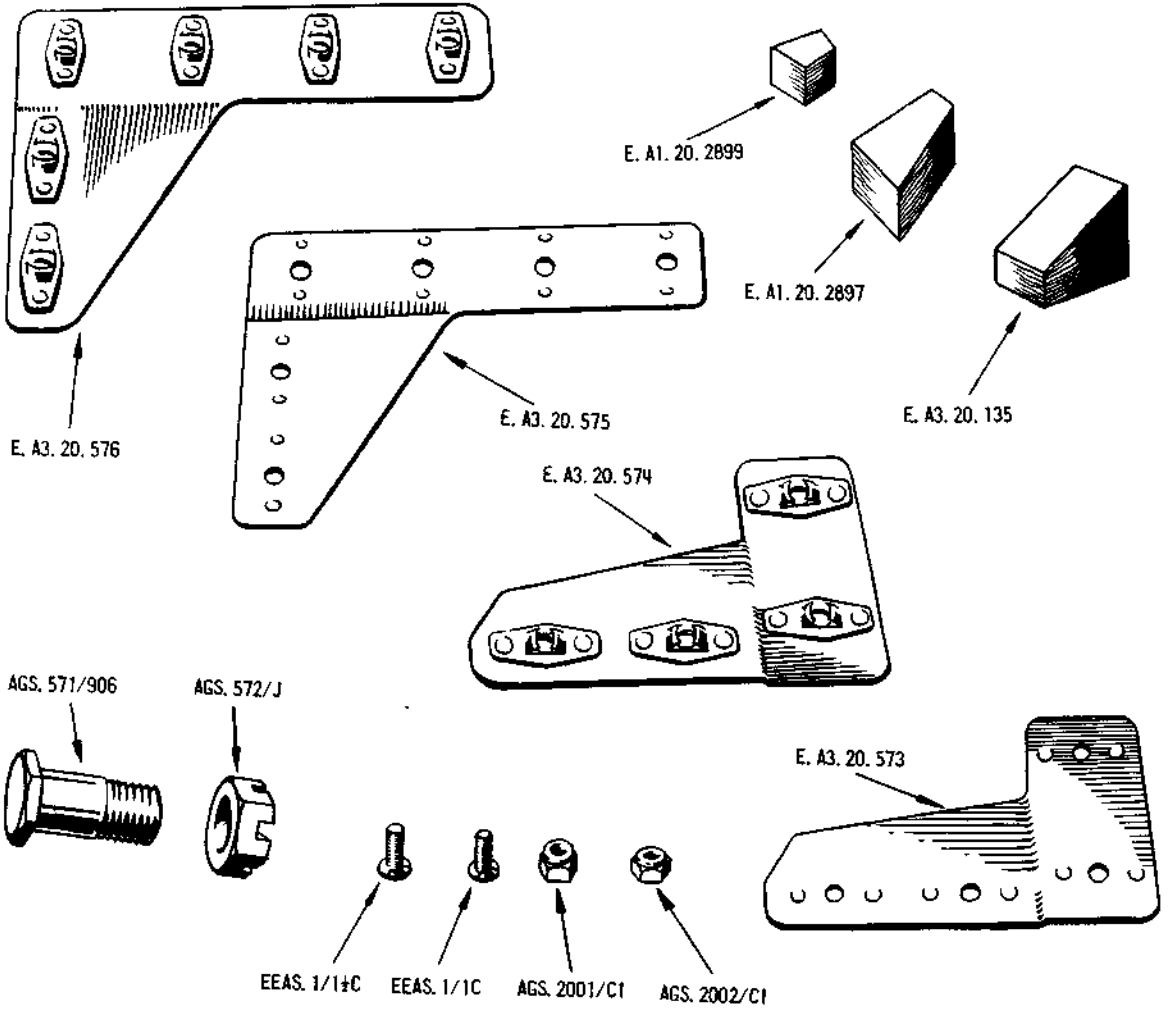
Ref. No	Part No.	Description	No. off	Matl. Spec.	Cl. of Equip.	Plate No.
					M.R. L.M.	
	E.A1.00.53	TAIL PLANE TO REAR FUSELAGE, ATTACHMENT DETAILS	—	—	—	
		Consisting of:—				
2751	E.A3.30.75	Bolt, special pivot, at tail plane actuator forward hinge point	2	S.97	C	
309	E.A1.12.451	Bolt, special, tail plane actuator anchor	1	S.65	C	
28N/9796	SP.21	Nipple, lubricating	2	—	C	
310	E.A1.20.341	Nut, special, pivot, at tail plane actuator forward hinge point	2	L.40	C	
311	E.A1.12.453	Nut, special, slotted, tail plane actuator anchor	1	MS	C	
28P/1214	AGS.166/12	Pin, split, 3/8" x 1 1/4"	3	—	C	
312	E.A1.12.455	Washer, special, tail plane, actuator anchor	2	L.72	C	
	E.A1.00.55	FIN TO FUSELAGE, ATTACHMENT DETAILS	—	—	—	
		Consisting of:—				
313	E.A1.32.75	Bolt, special, fin attachment, port	1	DTD.473	C	MA.3
314	E.A1.32.77	Bolt, special, fin attachment, starboard	1	DTD.473	C	MA.3
28D/9436920	A25/1C	Bolt, 2 BA, hex. head, "55 long	10	—	C	MA.3
28D/12534	A25/9C	Bolt, 2 BA, hex. head, 1"35 long	6	—	C	MA.3
28D/8306	AS.1242/1C	Bolt, 2 BA, c'sk. head, "5 long	18	—	C	MA.3
28D/8307	AS.1242/2C	Bolt, 2 BA, c'sk. head, "6 long	32	—	C	MA.3
1029	EEAS.1/4C	Screw, 2 BA, c'sk. head	58	—	C	MA.3
1030	EEAS.1/5C	Screw, 2 BA, c'sk. head	20	—	C	MA.3
	E.A1.00.57	RUDDER TO FIN AND FUSELAGE, ATTACHMENT DETAILS	—	—	—	
		Consisting of:—				
4730	E.A1.32.203	Bolt, special, attachment, rudder to fin top hinge (make from A25/6G)	2	S.11	C	MA.3
4731	E.A1.32.205	Bolt, special, attachment, rudder to fin top hinge (make from A25/5E)	2	S.11	C	MA.3
28M/13590	A27/5S	Nut, 1/4" BSF, slotted	1	—	C	MA.3
28P/9429528	SP.9/C8	Pin, split, 1/8" x 1"	1	—	C	
3667	E.A3.33.219	Washer, sealing	1	L.40	C	MA.3
	E.A1.00.59	REAR FAIRING TO FUSELAGE, ATTACHMENT DETAILS	—	—	—	
		Consisting of:—				
28D/12520	A25/4E	Bolt, 1/4" BSF, hex. head, "85 long	2	—	C	MA.3
28M/12930	A27/E5	Nut, 1/4" BSF, slotted	2	—	C	MA.3
28M/10290	AGS.2001/E/1	Nut, 1/4" BSF, stiff	4	—	C	MA.3
28P/9429528	SP.9/C8	Pin, split, 1/8" x 1"	2	—	C	MA.3
1028	EEAS.1/3C	Screw, 2 BA, c'sk. head	4	—	C	MA.3
28W/9419487	SP.16/E	Washer, 1/4" BSF, plain	2	—	C	MA.3

**MISCELLANEOUS
ATTACHMENT DETAILS**

Ref. No.	Part No.	Description	No. off	Matl. Spec.	Cl. of Equip.		Plate No.
					M.R.	L.M.	
	E.A1.00.63	CONTROLS TO RUDDER AND ELEVATOR, ATTACHMENT DETAILS Consisting of:—	—	—	—	—	
67	EEAS.13/1	Bolt, special, connecting, control rod to rudder ...	2	—	C		MA.3
68	EEAS.14	Bush, bearing, connecting rod	2	—	C		MA.3
3569	EEAS.63/E	Nut, slotted, control tube connecting bolt	2	S.96	C		MA.3
3570	EEAS.127	Piece, distance, control tube connection	2	S.96	C		MA.3
28P/9429528	SP.9/C8	Pin, split, $\frac{1}{16}$ " x 1"	2	—	C		MA.3
	E.A1.00.81	DROP TANK TO WING, ATTACHMENT DETAILS, PORT (see Page 447)	—	—	—		
	E.A1.00.82	DROP TANK TO WING, ATTACHMENT DETAILS, STARBOARD (see Page 449)	—	—	—		

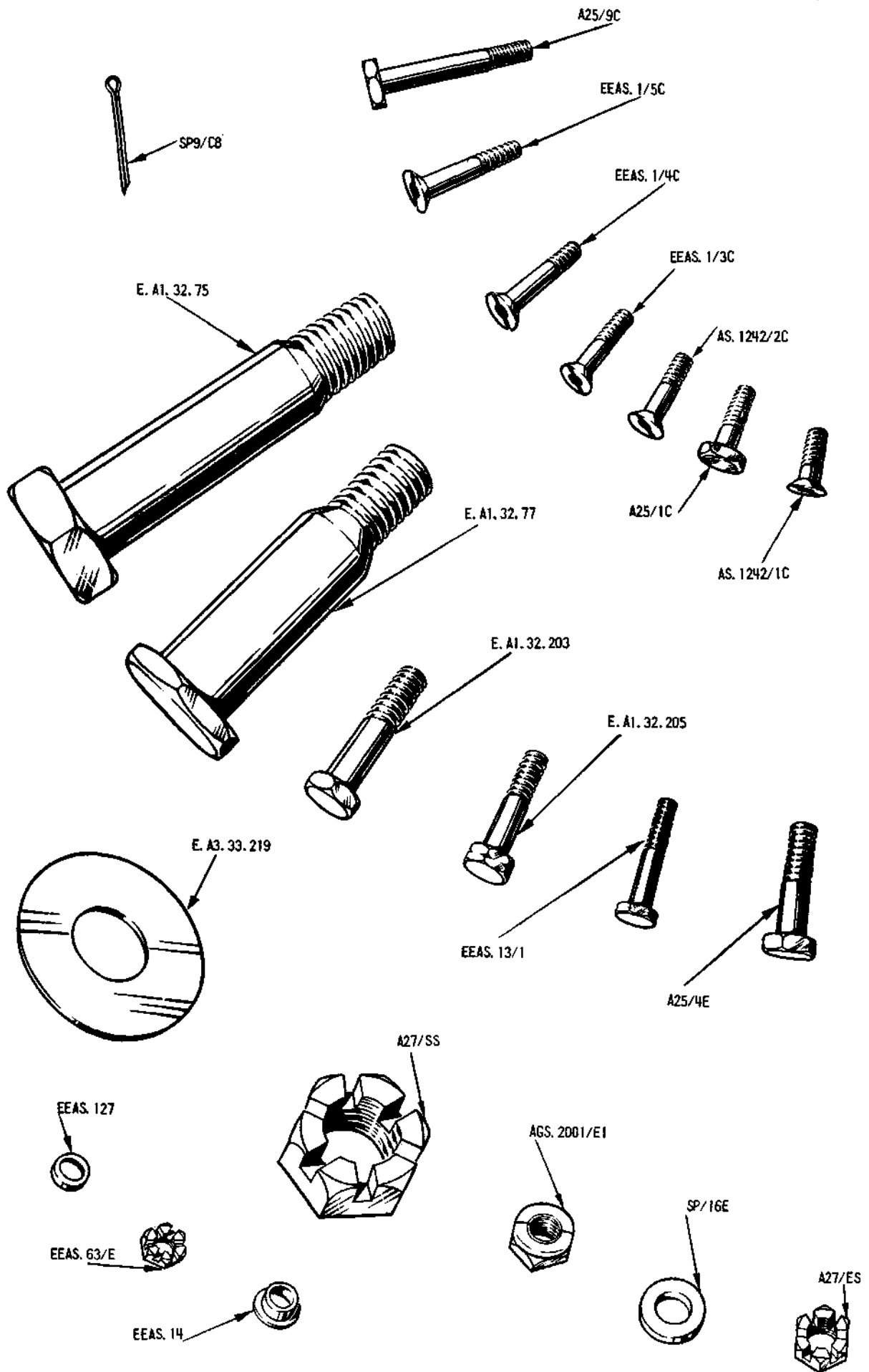
587
Pages-~~587~~ to 598 not issued





MISCELLANEOUS ATTACHMENTS







This file was downloaded
from the RTFM Library.

Link: www.scottbouch.com/rtfm

Please see site for usage terms,
and more aircraft documents.

