

**TAIL UNIT
RUDDER C/W TAB**

| Ref. No. | Part No. | Description | No. off | Matl. Spec. | Cl. of Equip. | | Plate No. |
|-------------|-------------------------|---|---------|-------------|---------------|------|-----------|
| | | | | | M.R.L.M. | L.M. | |
| | | 1 2 3 4 5 6 | | | | | |
| 5173 | E.A3.33.1 | RUDDER, C/W TAB, ASSEMBLY | 1 | — | | A | |
| | | Spares for:— | | | | | |
| 5876 | E.A1.33.283 | BRACKET, HINGE, TOP MOUNTING, ASSEMBLY | 1 | — | | B | |
| | | Consisting of:— | | | | | |
| | E.A1.33.71 | BRACKET, HINGE, RUDDER, ASSEMBLY ... | 1 | — | | — | |
| | | Spares for:— | | | | | |
| | HOFFMANN | | | | | | |
| 2A/9500467 | CA.3 | BALLRACE, self-aligning | 1 | — | | B | |
| | 1041 | HOUSING, ballrace | 1 | — | | C | |
| | 20452 | WASHER, packing | 2 | — | | C | |
| | 2100 | BRACKET, hinge, top mounting | 1 | DTD.683 | | C | |
| | 3668 | CUP, sealing | 2 | Rubber | | C | |
| 28M/5808571 | A27/GS | NUT, slotted, 3/8" BSF | 1 | — | | C | |
| | 28P/1207 | PIN, split | 1 | — | | C | |
| | 3669 | PLATE, locking | 1 | DTD.124A | | C | |
| | 28S/7187 | SCREW, self-tapping, type Z | 1 | — | | C | |
| 28W/9419477 | SP.15/J | WASHER | 1 | — | | C | |
| | | Attaching parts for E.A1.33.283:— | | | | | |
| | 28D/1011240 | Bolt, 1/2" BSF | 2 | — | | C | |
| | 9994 | HINGE, TAB, BOTTOM, AT RIB 1, ASSEMBLY ... | 1 | — | | A | |
| | | Consisting of:— | | | | | |
| | SKEFCO | | | | | | |
| 2A/9500463 | CB.A2 | BALLRACE, self-aligning | 1 | — | | B | |
| 28N/2001688 | AGS.2030/22 | CIRCLIP, internal, 3/8" dia. | 1 | — | | C | |
| | E.A1.33.189A | HOUSING, ballrace | 1 | L.40 | | — | |
| | | Attaching parts for E.A1.33.189:— | | | | | |
| | 28D/9133012 | Bolt, 2 BA | 3 | — | | C | |
| 28W/9419475 | SP.15/C | Washer | 3 | — | | C | |
| | E.A3.33.7 | NOSE, RUDDER, AND PIVOT POINT, ASSEMBLY | 1 | — | | — | |
| | | Spares for:— | | | | | |
| | E.A3.33.247 | ARM, mass balance | 1 | — | | — | |
| | RANSOME & MARLES CA.118 | | | | | | |
| 2A/9500423 | 9949 | BALLRACE, main lower, tab operating gear ... | 1 | — | | B | |
| | E.A1.33.125 | BRACKET, BOTTOM, RUDDER HINGE, ASSEMBLY | 1 | — | | B | |
| | | Spares for:— | | | | | |
| | 18220 | SHROUD, sealing | 1 | — | | C | |
| | 2733 | SPIGOT, rudder bottom bearing | 1 | S.11 | | C | |
| | | Attaching parts for E.A1.33.125:— | | | | | |
| | 28D/9133011 | Bolt, 2 BA | 10 | H.T.S. | | C | |
| | 28D/9133012 | Bolt, 2 BA | 2 | H.T.S. | | C | |
| | 28M/10328 | Nut, "Aerotight" | 12 | — | | C | |
| 28W/9419404 | SP.16/C | Washer | 12 | L.A. | | C | |
| | 13097 | GEAR, TAB OPERATING, ASSEMBLY (E.A1.33.215) | 1 | — | | A | |
| | | Spares for:— | | | | | |
| | 19742 | BRACKET, stop | 1 | — | | C | |
| | | Attaching parts for E.A1.33.231:— | | | | | |
| | 28D/9133012 | Bolt, 2 BA | 2 | H.T.S. | | C | |
| | 28M/10328 | Nut, "Aerotight" | 1 | — | | C | |
| | 19739 | LEVER, assembly | 1 | — | | C | |
| | | Attaching parts for E.A1.33.161:— | | | | | |
| | 19745 | Bolt, special | 3 | — | | C | |
| 28M/7002430 | AGS.2002/E/1 | Nut, thin, 1/4" BSF | 3 | — | | C | |

**TAIL UNIT
RUDDER C/W TAB**

| Ref. No. | Part No. | Description | No. off | Matl. Spec. | Cl. of Equip. | Plate No. |
|-------------|-------------------------|--|---------|-------------|---------------|-----------|
| | | | | | M.R. L.M. | |
| | | 1 2 3 4 5 6 | | | | |
| 19731 | E.A1.33.211 | STOP , limit | 1 | — | C | |
| | | Attaching parts for E.A1.33.211:— | | | | |
| 28D/1011242 | A25/7E | Bolt, ¼" BSF | 1 | H.T.S. | C | |
| 28M/10290 | AGS.2001/E/1 | Nuc. stiff, ¼" BSF | 1 | — | C | |
| 28W/9418921 | SP.13/E | Washer | 1 | — | C | |
| | E.A1.33.803 | TUBE, TORQUE, OUTER, ASSEMBLY | 1 | — | C | |
| | | Spares for:— | | | | |
| 19751 | E.A1.33.721 | LEVER , assembly | 1 | — | B | |
| | | Attaching parts for E.A1.33.721:— | | | | |
| 19745 | E.A1.33.241 | Bolt, special | 3 | — | C | |
| 28M/7002430 | AGS.2002/E/1 | Nuc. thin, ¼" BSF | 3 | — | C | |
| 28W/9419405 | SP.15/E | Washer | 3 | — | C | |
| 2103 | E.A1.33.177 | HOUSING, BEARING, FOR RUDDER OPERATING GEAR, AT RIB 6, ASSEMBLY | 1 | — | B | |
| | | Spares for:— | | | | |
| 2A/9500420 | RANSOME & MARLES CA.1 ½ | BALLRACE | 1 | — | B | |
| 28N/12456 | AGS.2031/24 | CIRCLIP , external, 1 ½" dia. | 1 | — | C | |
| 28N/2001693 | AGS.2030/48 | CIRCLIP , internal, 1 ½" dia. | 1 | — | C | |
| | E.A1.33.123 | HOUSING , bearing | 1 | L.40 | — | |
| 19741 | E.A1.33.179 | LEVER , tab control | 1 | — | C/MR | |
| 5495 | E.A1.33.205 | PLATE , stop | 1 | L.40 | C | |
| | | Attaching parts for E.A1.33.205:— | | | | |
| 28D/9140203 | AS.1246/3C | Bolt, 2 BA | 1 | H.T.S. | C | |
| 19743 | E.A1.33.201 | RING , ballrace retaining | 1 | L.64 | C | |
| 19730 | E.A1.33.203 | TUBE , distance | 1 | T.4 | C | |
| | | Attaching parts for E.A1.33.177:— | | | | |
| 28D/1011238 | A25/3E | Bolt ¼" BSF | 4 | H.T.S. | C | |
| 6360 | E.A1.33.383 | HOUSING , bearing, tab operating gear at rib 2 | 1 | L.40 | C | |
| | | Attaching parts for E.A1.33.383:— | | | | |
| 28D/1011238 | A25/3E | Bolt, ¼" BSF | 6 | H.T.S. | C | |
| 9715 | E.A1.33.445 | PANEL , access, L.H., lower hinge, bracket ... | 1 | — | C | |
| 9716 | E.A1.33.447 | PANEL , access, R.H., lower hinge bracket ... | 1 | — | C | |
| | | Attaching parts for E.A1.33.445 and E.A1.33.447:— | | | | |
| 1025 | EEAS.1/1C | Screw, 2 BA | 8 | S.11 | C | |
| 5402 | E.A1.33.791 | PANEL , access, upper hinge bracket | 1 | — | C | |
| | | Attaching parts for E.A1.33.791:— | | | | |
| 1025 | EEAS.1/1C | Screw, 2 BA | 10 | S.11 | C | |
| 9717 | E.A1.33.425 | PLUG , sealing, rudder lifting point, assembly ... | 2 | — | C | |
| 1523 | E.A1.33.779 | NUT , special, balance weight clamping | 1 | M.S. | C | |
| | E.A1.33.93 | RIB, TRAILING, No. 6, ASSEMBLY | 1 | — | — | |
| | | Spares for:— | | | | |
| 18216 | E.A1.33.187 | HINGE , tab, centre | 1 | — | C | |
| | | Attaching parts for E.A1.33.187:— | | | | |
| 28D/9133011 | A25/2C | Bolt, 2 BA | 1 | — | C | |
| 28D/9133012 | A25/3C | Bolt, 2 BA | 2 | — | C | |
| 28M/9403520 | A27/CP | Nut, 2 BA | 3 | — | C | |
| 28W/9419475 | SP.15/C | Washer | 2 | — | C | |

**TAIL UNIT
RUDDER C/W TAB**

| Ref. No. | Part No. | Description | No. off | Matl. Spec. | Cl. of Equip. | | Plate No. |
|-------------|--------------|--|---------|-------------|---------------|------|-----------|
| | | | | | M.R. | L.M. | |
| | | 1 2 3 4 5 6 | | | | | |
| 10007 | E.A3.33.271 | ROD , tab control, assembly (Mod. 1171) | 1 | — | | B | |
| 12026 | E.A3.33.269 | BOLT , special, adjusting | 1 | S.95 | | C | |
| 3225 | EEAS.131/1 | FORK-END , for control tube | 1 | DTD.683 | | C | |
| | HOFFMAN | | | | | | |
| 28R/13507 | CF.2A | ROD-END | 1 | — | | B | |
| 1573 | EEAS.37/13A | NIPPLE , 3/8" dia. | 0 | — | | C | |
| | E.A1.33.275 | SOCKET , screwed | 1 | L.40 | | — | |
| | EEAS.38/1A | SPOKE , 6 BA (Make from Ref. 28R/6123) | 1 | H.T.S. | | LM | |
| | | Attaching parts for E.A3.33.271:— | | | | | |
| 1051 | EEAS.13 | Bolt, special, 1/4" BSF | 1 | S.11 | | C | |
| 328 | E.A1.31.65 | Bolt, special | 1 | — | | C | |
| 68 | EEAS.14 | Bush, bearing | 2 | S.11 | | C | |
| 28M/1011467 | A27/ES | Nut, 1/4" BSF | 1 | — | | C | |
| 28M/5800573 | A27/CS | Nut, 2 BA | 1 | — | | C | |
| 2104 | EEAS.28/8/GR | Washer | 2 | L.72 | | C | |
| 28W/9419404 | SP.16/C | Washer | 1 | — | | C | |
| 3368 | E.A3.33.21 | TAB, RUDDER TRIM, ASSEMBLY | 1 | — | | A | |
| | | Spares for:— | | | | | |
| 4679 | E.A3.31.53 | ARM , balance, support | 6 | L.40 | | C | |
| | | Attaching parts for E.A3.31.53:— | | | | | |
| 28M/1011475 | A29/EP | Nut, 1/4" BSF | 6 | — | | C | |
| 28W/9419487 | SP.16/E | Washer | 2 | — | | C | |
| 28W/9419405 | SP.15/E | Washer | 4 | — | | C | |
| 4160 | E.A1.45.49 | BOLT , special, balance weight retaining | 6 | S.1 | | C | |
| | E.A3.33.23 | BRACKET , rudder tab actuator | 1 | — | | — | |
| 334 | E.A1.31.61 | PIN , hinge bearing | 2 | S.11 | | C | |
| | | Attaching parts for E.A1.31.61:— | | | | | |
| 28M/1007400 | A27/ET | Nut, 3/4" BSF | 2 | — | | C | |
| 335 | E.A1.33.249 | WASHER , special thrust, at trim tab actuator connecting bolt | 2 | L.40 | | C | |

Pages 937 to 944 not issued



**TAIL UNIT
RUDDER C/W TAB**

| Ref. No. | Part No. | Description | No. off | Matl. Spec. | Cl. of Equip. | | Plate No. |
|--|--------------|---------------------------------------|---------|-------------|---------------|------|-----------|
| | | | | | M.R. | L.M. | |
| | | 1 2 3 4 5 6 | | | | | |
| SUMMARY OF STOCK ITEMS USED ON RUDDER C/W TAB, ASSEMBLY | | | | | | | |
| 28D/12513 | A25/2C | Bolt, 2 BA, hex. head, 0"65 long | ... | ... | ... | | C |
| 28D/12531 | A25/3C | Bolt, 2 BA, hex. head, 0"75 long | ... | ... | ... | | C |
| 28D/1200119 | A25/4C | Bolt, 2 BA, hex. head, 0"85 long | ... | ... | ... | | C |
| 28D/12518 | A25/2E | Bolt, 1/4" BSF, hex. head, 0"7 long | ... | ... | ... | | C |
| 28D/12519 | A25/3E | Bolt, 1/4" BSF, hex. head, 0"8 long | ... | ... | ... | | C |
| 28D/12542 | A25/5E | Bolt, 1/4" BSF, hex. head, 1" long | ... | ... | ... | | C |
| 28D/12546 | A25/14E | Bolt, 1/4" BSF, hex. head, 1"9 long | ... | ... | ... | | C |
| 28D/12635 | A25/24E | Bolt, 1/4" BSF, hex. head, 2"9 long | ... | ... | ... | | C |
| 28D/11210 | AS.1246/3C | Bolt, 2 BA, hex. head, 0"7 long | ... | ... | ... | | C |
| 28D/12680 | AS.1246/46E | Bolt, 1/4" BSF, round head, 5"05 long | ... | ... | ... | | C |
| 28D/12803 | AS.1246/56E | Bolt, 1/4" BSF, round head, 1"01 long | ... | ... | ... | | C |
| 28D/8342 | AS.1248/2C | Bolt, 2 BA, hex. head, 0"6 long | ... | ... | ... | | C |
| 28M/9403520 | A27/CP | Nut, 2 BA, plain | ... | ... | ... | | C |
| 28M/13121 | A27/CS | Nut, 2 BA, slotted | ... | ... | ... | | C |
| 28M/12930 | A27/ES | Nut, 1/4" BSF, slotted | ... | ... | ... | | C |
| 28M/12931 | A27/ET | Nut, 1/4" BSF, thin | ... | ... | ... | | C |
| 28M/13375 | A27/GP | Nut, 5/8" BSF, plain | ... | ... | ... | | C |
| 28M/13376 | A29/EP | Nut, 1/4" BSF, plain | ... | ... | ... | | C |
| 28M/13717 | A29/GP | Nut, 5/8" BSF, plain | ... | ... | ... | | C |
| 28M/13718 | A29/GPL | Nut, 5/8" BSF, plain, L.H. thread | ... | ... | ... | | C |
| 28M/10288 | AGS.2001/C/1 | Nut, stiff, 2 BA | ... | ... | ... | | C |
| 28M/10281 | AGS.2001/C/3 | Nut, stiff, 2 BA | ... | ... | ... | | C |
| 28M/10328 | AGS.2002/C/1 | Nut, stiff, 2 BA | ... | ... | ... | | C |
| 28M/8932 | CD.1 | Nut, stiff, 2 BA | ... | ... | ... | | C |
| 28P/9429528 | SP.9/C8 | Pin, split, 5/16" x 1" | ... | ... | ... | | C |
| 28W/9419475 | SP.15/C | Washer, 2 BA, plain | ... | ... | ... | | C |
| 28W/9419405 | SP.15/E | Washer, 1/4" BSF, plain | ... | ... | ... | | C |
| 28W/9419476 | SP.15/G | Washer, 5/8" BSF, plain | ... | ... | ... | | C |
| 28W/9419404 | SP.16/C | Washer, 2 BA, plain | ... | ... | ... | | C |
| 28W/9419487 | SP.16/E | Washer, 1/4" BSF, plain | ... | ... | ... | | C |

| Ref. No. | Part No. | 1 2 3 4 5 6 | | | | | | No. off | Matl. Spec. | Cl. of Equip. | Plate No. |
|----------|----------|-------------|--|--|--|--|--|---------|-------------|---------------|-----------|
| | | | | | | | | | | M.R. | |
| | | | | | | | | | | | |

**TAIL UNIT
TAIL PLANE AND ELEVATORS**

| Ref. No | Part No. | Description | No. off | Mtl. Spec. | Cl. of Equip. | Plate No. |
|-------------|----------------|---|---------|--------------------|---------------|-----------|
| | | | | | M.R. L.M. | |
| | E.A1.00.19 | TAILPLANE AND ELEVATORS, ASSEMBLY ... | — | — | — | |
| | | Spares for:— | | | | |
| 67 | EEAS.13/1 | Bolt, special, 1/4" BSF, hex. head ... | 1 | S.11 | C | |
| 3385 | E.A3.31.45 | Bolt, special, in port elevator operating lever ... | 1 | S.95 | C | |
| 3386 | E.A3.31.47 | Bush, serrated, for special bolt, port elevator operating lever | 1 | S.95 | C | |
| 1590 | E.A1.30.335 | Buffer, rubber stop elevator control ... | 2 | Shore No. 45 | C | |
| 2991 | E.A1.31.1 | ELEVATOR, C/W TAB, PORT, GROUP ... | 1 | — | A | |
| | | Spares for:— | | | | |
| | E.A1.31.709 | BALANCE, MASS ELEVATOR, PORT, GROUP | 1 | — | — | |
| | | Consisting of:— | | | | |
| | E.A1.31.711 | Arm, weight balance ... | 1 | G.E.C. Heavy Metal | — | |
| | E.A1.31.713 | Arm, weight balance ... | 1 | S.95 | — | |
| | E.A1.31.133 | Bolt, special, make up balance weight ... | 2 | M.S. | MR | |
| | E.A1.31.705 | Pin, special, locking balance weight to arm ... | 1 | S.95 | — | |
| 19724 | E.A1.31.707 | Plug, screwed end fitting ... | 1 | S.95 | C/MR | |
| | E.A1.31.129 | Weight, balance make up ... | 1 | G.E.C. Heavy Metal | — | |
| 30A/9140209 | + | Wire, locking, 20 SWG ... | QR | — | C | |
| | SKEFKO | | | | | |
| 2A/9500463 | CBA.2 | Bearing, ballrace, elevator tab ... | 1 | — | B | |
| | SKEFKO | | | | | |
| 2A/9500419 | T.T.S.8 1/2 | Bearing, ballrace tab control lever at tab torque mounting | 1 | — | B | |
| 333 | E.A1.31.63 | Bolt, special, bearing tab hinge ... | 1 | S.11 | C | |
| 328 | E.A1.31.65 | Bolt, special, bearing connecting rod at joint ... | 1 | S.45 | C | |
| 10076 | E.A1.31.157 | Bracket, link mounting ... | 1 | L.40 | C/MR | |
| 28N/12455 | AGS.2031/22 | Circlip, external, 1 1/8" dia. ... | 1 | — | C | |
| 28N/2001688 | AGS.2030/22 | Circlip, internal, 25 m/m ... | 1 | — | C | |
| | E.A1.31.11 | ELEVATOR, PORT, GROUP ... | 1 | — | — | |
| | | Spares for:— | | | | |
| 336 | E.A1.31.79 | Bracket, hinge ... | 3 | — | C | |
| 337 | E.A1.31.485 | Cover, hand hole between elevator rib and hinge rib | 1 | L.72 | C | |
| | E.A1.31.7 | HORN ELEVATOR, PORT, GROUP ... | 1 | — | MR | |
| | | Spares for:— | | | | |
| | E.A1.31.51 | Bracket, horn ... | 1 | DTD.300 | — | |
| 1468 | EEAS.1/2C | Screw, 2 BA, c'sk. head ... | 3 | S.11 | C | |
| 1029 | EEAS.1/4C | Screw, 2 BA, c'sk. head ... | 8 | S.11 | C | |
| 10035 | EEAS.1/4 1/2 E | Screw, 1/2" BSF, c'sk. head ... | 16 | S.11 | C | |
| 338 | E.A1.31.91 | Spigot, hinge ... | 1 | S.11 | C | |
| | E.A3.31.25 | WEIGHT, ELEVATOR HORN BALANCE, GROUP | 1 | — | MR | |
| | | Consisting of:— | | | | |
| 19726 | E.A3.31.29 | Bolt, special ... | 1 | M.S. | C/MR | |
| 19725 | E.A3.31.27 | Disc, balance weight ... | QR | DTD.126A | C/MR | |
| 19715 | E.A1.31.333 | Disc, balance weight ... | QR | L.64 | C/MR | |
| | E.A1.31.339 | Housing, balance weight ... | 1 | — | — | |
| 28W/9416198 | SP.42/J | Washer, tab ... | 1 | — | C | |
| 28W/9419477 | SP.15/J | Washer, 1/2" BSF, plain ... | QR | — | C | |

**TAIL UNIT
TAIL PLANE AND ELEVATORS**

| Ref. No | Part No. | Description | | | | | | No. off | Matl. Spec. | Cl. of Equip. | | Plate No. |
|-------------|--------------|-------------|---|---|---|---|---|---------|--------------------|---------------|------|-----------|
| | | 1 | 2 | 3 | 4 | 5 | 6 | | | M.R. | L.M. | |
| 19727 | E.A3.31.39 | | | | | | | 1 | S.92 | C/MR | | |
| 19728 | E.A3.31.41 | | | | | | | QR | S.92 | C/MR | | |
| 10050 | E.A1.31.83 | | | | | | | 1 | L.40 | C/MR | | |
| 1531 | E.A1.31.679 | | | | | | | 1 | L.72 | C/MR | | |
| 10061 | E.A1.31.325 | | | | | | | 8 | Balsa Wood | C | | |
| 1468 | EEAS.1/2C | | | | | | | 4 | S.11 | C | | |
| 1033 | EEAS.1/2½E | | | | | | | 8 | S.11 | C | | |
| | E.A1.31.15 | | | | | | | 1 | — | MR | | |
| | | | | | | | | | | | | |
| | | | | | | | | | | | | |
| 19707 | E.A1.31.53 | | | | | | | 1 | DTD.300 | C/MR | | |
| | | | | | | | | | | | | |
| | | | | | | | | | | | | |
| 28D/1200119 | A25/4C | | | | | | | 2 | — | C | | |
| 28D/1013172 | AS.1242/5C | | | | | | | 4 | — | C | | |
| 28M/9403520 | A.27/CP | | | | | | | 6 | — | C | | |
| | EEAS.41/8 | | | | | | | 2 | — | — | | |
| | AGS.2045/619 | | | | | | | 2 | — | — | | |
| | E.A9.31.89 | | | | | | | 2 | — | — | | |
| | E.A9.31.91 | | | | | | | 2 | — | — | | |
| | | | | | | | | | | | | |
| | | | | | | | | | | | | |
| 28D/1008151 | A25/4E | | | | | | | 4 | — | C | | |
| 28D/1204937 | AS.1242/6C | | | | | | | 4 | — | C | | |
| 28M/10288 | AGS.2001/C/1 | | | | | | | 4 | — | C | | |
| | E.A9.31.89 | | | | | | | 2 | — | — | | |
| | E.A9.31.91 | | | | | | | 2 | — | — | | |
| 28W/1009699 | SP.55/C | | | | | | | 4 | — | C | | |
| | | | | | | | | | | | | |
| 5206 | E.A1.31.169 | | | | | | | 1 | — | C | | |
| | | | | | | | | | | | | |
| | | | | | | | | | | | | |
| 1042 | EEAS.3/K | | | | | | | 1 | — | C | | |
| 19717 | E.A1.31.421 | | | | | | | 1 | S.95 | C/MR | | |
| | E.A1.31.149 | | | | | | | 1 | L.45 | — | | |
| | | | | | | | | | | | | |
| 6940 | E.A1.31.317 | | | | | | | 1 | — | C | | |
| | | | | | | | | | | | | |
| | | | | | | | | | | | | |
| 13245 | E.A1.31.215 | | | | | | | 1 | S.11 | C | | |
| 1091 | EEAS.37/8A | | | | | | | 8 | S.11 | C | | |
| 5032 | E.A1.31.303 | | | | | | | 1 | Alumn. | C | | |
| 338 | E.A1.31.91 | | | | | | | 2 | S.11 | C | | |
| | EEAS.38/2A | | | | | | | 4 | S.11 | LM | | |
| | HOFFMANN | | | | | | | | | | | |
| 28R/13507 | CF.2 | | | | | | | 1 | — | B | | |
| 5982 | E.A1.31.159 | | | | | | | 1 | — | C | | |
| | | | | | | | | | | | | |
| 2115 | E.A1.31.691 | | | | | | | 1 | L.40 or DTD.683 | C | | |
| | | | | | | | | | | | | |
| 10077 | E.A1.31.155 | | | | | | | 2 | L.72 | C | | |
| 2106 | E.A1.31.211 | | | | | | | 1 | S.1 | C | | |
| 340 | E.A1.31.363 | | | | | | | 2 | — | C | | |

**TAIL UNIT
TAIL PLANE AND ELEVATORS**

| Ref. No | Part No. | Description | | | | | | No. off | Matl. Spec. | Cl. of Equip. | Plate No. |
|-------------|-------------|---|---|---|---|---|---|---------|-----------------------|---------------|-----------|
| | | 1 | 2 | 3 | 4 | 5 | 6 | | | M.R. | |
| 25608 | E.A3.30.273 | ROD, CONNECTING, BETWEEN ELEVATOR TAB AND OPERATING LEVER, GROUP (MOD. 2107) | | | | | | 1 | — | C | |
| | | Spares for:— | | | | | | | | | |
| 395 | E.A1.31.99 | End-piece | | | | | | 1 | DTD.683 | C | |
| 342 | E.A1.31.101 | End-piece, ball bearing rod connecting (made from Hoffman CF.2) | | | | | | 1 | — | C | |
| 343* | E.A1.31.277 | Shim, tab hinge bracket | | | | | | 1 | Alumn. | C | |
| | or | | | | | | | | | | |
| 22976 | EEAS.27/8/4 | | | | | | | | | | |
| 3369 | E.A1.31.5 | TAB, ELEVATOR, PORT, GROUP (MOD. 523) (PRE-MOD. 4077) | | | | | | 1 | — | A | |
| 34718 | E.A3.31.125 | TAB, ELEVATOR, PORT, GROUP (MOD. 4077) | | | | | | 1 | — | A | |
| | | Spares for:— | | | | | | | | | |
| 4679 | E.A3.31.53 | Arm, support balance weight | | | | | | 8 | L.40 | C | |
| 4160 | E.A1.45.49 | Bolt, special, balance weight fixing | | | | | | 8 | S.1 | C/MR | |
| 4162 | E.A1.31.49 | Fitting, tab hinge inter, inboard | | | | | | 1 | L.40 | C/MR | |
| 4155 | E.A1.31.55 | Fitting, tab hinge, inter, outboard | | | | | | 1 | L.40 | C/MR | |
| 4163 | E.A1.31.57 | Fitting, tab hinge inboard end | | | | | | 1 | — | C/MR | |
| | E.A3.31.23 | Fitting, tab hinge, outboard end | | | | | | 1 | L.40 | — | |
| 334 | E.A1.31.61 | Pin, special, tab bearing | | | | | | 3 | S.11 | C | |
| 343* | E.A1.31.277 | Shim, balance weight packing | | | | | | 4 | Alumn. | C | |
| | or | | | | | | | | | | |
| 22976 | EEAS.27/8/4 | | | | | | | | | | |
| 12945 | E.A3.31.117 | TUBE, TORQUE, AND BLOW-BACK ROD, ASSEMBLY | | | | | | 1 | — | A | |
| | | Consisting of:— | | | | | | | | | |
| 5983 | E.A1.31.167 | Bracket, bearing | | | | | | 1 | — | C/MR | |
| 5984 | E.A1.31.443 | Lever, operating | | | | | | 1 | — | C/MR | |
| 28M/5808573 | A27/CS | Nut, 2 BA, slotted | | | | | | 4 | — | C | |
| 28M/13451 | A29/JS | Nut, 1/2" BSF, slotted | | | | | | 1 | — | C | |
| 28P/9527619 | SP.90/C7 | Pin, split, 1/8" dia. x 1" long | | | | | | 5 | — | C | |
| 2107 | E.A1.31.193 | Rod, blow back | | | | | | 1 | — | B/MR | |
| 1030 | EEAS.1/5C | Screw, 2 BA, c'sk. head, 120° | | | | | | 4 | S.11 | C | |
| 2108 | E.A1.31.199 | Tube, torsion | | | | | | 1 | — | B/MR | |
| 28W/9419404 | SP.16/C | Washer, 2 BA, plain | | | | | | 4 | — | C | |
| 30A/9140209 | † | Wire, locking, 20 SWG | | | | | | QR | — | C | |
| 2992 | E.A1.31.3 | ELEVATOR, C/W TAB, STARBOARD, GROUP | | | | | | 1 | — | A | |
| | | Spares for:— | | | | | | | | | |
| | E.A1.31.710 | BALANCE, MASS, ELEVATOR, STARBOARD, GROUP | | | | | | 1 | — | — | |
| | | Consisting of:— | | | | | | | | | |
| | E.A1.31.712 | Arm, weight balance | | | | | | 1 | G.E.C. Heavy Metal | — | |
| | E.A1.31.713 | Arm, weight balance | | | | | | 1 | S.95 | — | |
| | E.A1.31.133 | Bolt, special, make-up balance weight | | | | | | 2 | M.S. | MR | |
| | E.A1.31.705 | Pin, special locking balance weight to arm | | | | | | 1 | S.95 | — | |
| 19724 | E.A1.31.707 | Plug, screwed end fitting | | | | | | 1 | S.95 | C/MR | |
| | E.A1.31.129 | Weight, balance, make-up | | | | | | 1 | G.E.C. Heavy Metal | — | |
| 30A/9140209 | † | Wire, locking, 20 SWG | | | | | | QR | — | C | |

**TAIL UNIT
TAIL PLANE AND ELEVATORS**

| Ref. No | Part No. | Description | No. off | Matl. Spec. | Cl. of Equip. | | Plate No. |
|-------------|-----------------|---|---------|-------------|---------------|------|-----------|
| | | | | | M.R. | L.M. | |
| | | 1 2 3 4 5 6 | | | | | |
| 2A/9500463 | SKEFKO CBA.2 | Bearing, ballrace elevator tab | 1 | — | | B | |
| 333 | E.A1.31.63 | Bolt, special bearing, tab hinge | 1 | S.11 | | C | |
| 328 | E.A1.31.65 | Bolt, special bearing connecting rod at joint | 1 | — | | C | |
| 346 | E.A1.31.275 | Bolt, special stop | 1 | L.40 | | C | |
| 28N/2001688 | AGS.2030/22 | Circlip, internal, 25 m/m | 1 | — | | C | |
| | E.A.31.13 | ELEVATOR, STARBOARD, GROUP | 1 | — | | MR | |
| | | Spares for:— | | | | | |
| 336 | E.A1.31.79 | Bracket, hinge | 3 | — | | MR | |
| 337 | E.A1.31.485 | Cover, hand hole, between elevator rib and hinge rib | 1 | L.72 | | C | |
| | E.A1.31.8 | HORN, ELEVATOR, GROUP | 1 | — | | MR | |
| | | Spares for:— | | | | | |
| | E.A1.31.52 | Bracket, horn | 1 | DTD.300 | | — | |
| 1468 | EEAS.1/2C | Screw, 2 BA, c'sk. head | 3 | S.11 | | C | |
| 1029 | EEAS.1/4C | Screw, 2 BA, c'sk. head | 8 | S.11 | | C | |
| 10035 | EEAS.1/4½E | Screw, ½" BSF, c'sk. head | 16 | S.11 | | C | |
| 338 | E.A1.31.91 | Spigot, hinge | 1 | S.11 | | C | |
| | E.A3.31.25 | WEIGHT, ELEVATOR HORN BALANCE, GROUP | 1 | — | | MR | |
| | | Consisting of:— | | | | | |
| 19726 | E.A3.31.29 | Bolt, special | 1 | M.S. | | C/MR | |
| 19725 | E.A3.31.27 | Disc, balance weight | 1 | DTD.126A | | C/MR | |
| 19715 | E.A1.31.333 | Disc, balance weight | QR | L.64 | | C/MR | |
| | E.A1.31.339 | Housing, balance weight | 1 | — | | — | |
| 28W/9419477 | SP.15/J | Washer, ½" BSF, plain | QR | — | | C | |
| 28W/9416198 | SP.42/J | Washer, tab | 1 | — | | C | |
| | E.A3.31.39 | Weight, mass balance | 1 | S.92 | | C/MR | |
| 19728 | E.A3.31.41 | Weight, mass balance | QR | S.92 | | C/MR | |
| 10050 | E.A1.31.83 | Housing, bearing, tab spar | 1 | L.40 | | C/MR | |
| 1531 | E.A1.31.679 | Member, trailing edge | 1 | L.72 | | C/MR | |
| 10061 | E.A1.31.325 | Packing, trailing edge | 8 | Balsa Wood | | C | |
| 1468 | EEAS.1/2C | Screw, 2 BA, c'sk. head | 4 | S.11 | | C | |
| 1033 | EEAS.1/2½E | Screw, ¼" BSF, c'sk. head | 6 | S.11 | | C | |
| | E.A1.31.17 | SPAR, ELEVATOR, MAIN STARBOARD, GROUP | 1 | — | | MR | |
| | | Spares for:— | | | | | |
| 19707 | E.A1.31.53 | Bracket, hinge, elevator, centre | 1 | DTD.300 | | C/MR | |
| | | Attaching parts for E.A1.31.53:— (New elevators, Mod. 4160) | | | | | |
| 28D/1200119 | A25/4C | Bolt, 2 BA | 2 | — | | C | |
| 28D/1013172 | AS.1242/5C | Bolt, 2 BA | 4 | — | | C | |
| 28M/9403520 | A.27/CP | Nut, 2 BA | 6 | — | | C | |
| | EEAS.41/8 | Pin, sealing | 2 | — | | — | |
| | AGS.2045/619 | Rivet, chobert | 2 | — | | — | |
| | E.A9.31.89 | Shim (Mod. 4160) | 2 | — | | — | |
| | E.A9.31.91 | Shim (Mod. 4160) | 2 | — | | — | |
| | | Attaching parts for E.A1.31.53:— (Modified elevators, Mod. 4160) | | | | | |
| 28D/1008151 | A25/4E | Bolt, ¼" BSF (Mod. 4160) | 4 | — | | C | |
| 28D/1204937 | AS.1242/6C | Bolt, 2 BA | 4 | — | | C | |
| 28M/10288 | AGS.2001/C/1 | Nut, 2 BA | 4 | — | | C | |
| | E.A9.31.89 | Shim (Mod. 4160) | 2 | — | | — | |
| | E.A9.31.91 | Shim (Mod. 4160) | 2 | — | | — | |
| 28W/1009699 | SP.55/C | Washer (Mod. 4160) | 4 | — | | C | |

**TAIL UNIT
TAIL PLANE AND ELEVATORS**

| Ref. No. | Part No. | Description | | | | | | No. off | Mtl. Spec. | Cl. of Equip. | Plate No. |
|-------------|--------------|-------------|---|---|---|---|---|---------|------------|---------------|-----------|
| | | 1 | 2 | 3 | 4 | 5 | 6 | | | M.R. L.M. | |
| 19717 | E.A1.31.421 | | | | | | | 1 | S.95 | C/MR | |
| 5207 | E.A1.31.151 | | | | | | | 1 | L.45 | C | |
| 1091 | EEAS.37./8A | | | | | | | 8 | S.11 | C | |
| 338 | E.A1.31.91 | | | | | | | 1 | S.11 | C | |
| | EEAS.38/2A | | | | | | | 4 | S.11 | LM | |
| | E.A1.31.351 | | | | | | | 1 | DTD.683 | — | |
| 10091 | E.A1.31.271 | | | | | | | 1 | — | C | |
| | | | | | | | | | | | |
| | | | | | | | | | | | |
| 346 | E.A1.31.275 | | | | | | | 1 | L.40 | C | |
| 5982 | E.A1.31.159 | | | | | | | 1 | — | C | |
| 28M/1007404 | A27/JT | | | | | | | 1 | — | C | |
| 340 | E.A1.31.363 | | | | | | | 2 | — | C | |
| 2922 | E.A1.31.105 | | | | | | | 1 | — | C | |
| 343 | E.A1.31.277 | | | | | | | 1 | Alumn. | C | |
| | or | | | | | | | | | | |
| 22976 | EEAS.27/8/4 | | | | | | | | | | |
| 3370 | E.A1.31.6 | | | | | | | 1 | — | A | |
| 34719 | E.A3.31.127 | | | | | | | 1 | — | A | |
| | | | | | | | | | | | |
| | | | | | | | | | | | |
| 4679 | E.A3.31.53 | | | | | | | 12 | L.40 | C | |
| 4160 | E.A1.45.49 | | | | | | | 12 | — | C/MR | |
| 4161 | E.A1.31.50 | | | | | | | 1 | L.40 | C/MR | |
| 4155 | E.A1.31.55 | | | | | | | 1 | L.40 | C/MR | |
| | E.A3.31.23 | | | | | | | 1 | — | — | |
| 4165 | E.A1.31.449 | | | | | | | 1 | — | C | |
| 334 | E.A1.31.61 | | | | | | | 3 | S.11 | C | |
| 343* | E.A1.31.277 | | | | | | | 6 | Alumn. | C | |
| | or | | | | | | | | | | |
| 22976 | EEAS.27/8/4 | | | | | | | | | | |
| 1077 | EEAS.28/34JR | | | | | | | 1 | — | C | |
| 3075 | E.A1.30.1147 | | | | | | | 1 | — | C | |
| 3076 | E.A1.30.1148 | | | | | | | 1 | — | C | |
| 13125 | E.A9.00.377 | | | | | | | 1 | — | B | |
| 13126 | E.A9.00.378 | | | | | | | 1 | — | B | |
| | | | | | | | | | | | |
| | | | | | | | | | | | |
| 3085 | E.A1.30.1107 | | | | | | | 1 | L.72 | C | |
| 3383 | E.A3.31.43 | | | | | | | 1 | DTD.683 | C | |
| 3384 | E.A3.31.49 | | | | | | | 1 | S.95 | C | |
| 10990 | E.A1.31.279 | | | | | | | 1 | — | C | |
| 351 | E.A1.31.281 | | | | | | | 1 | L.40 | C | |
| 31468 | E.B8.31.31 | | | | | | | 1 | — | C | |
| 2993 | E.A1.30.1 | | | | | | | 1 | — | A | |
| 4175 | E.A1.30.297 | | | | | | | 4 | S.65 | C/MR | |

**TAIL UNIT
TAIL PLANE AND ELEVATORS**

| Ref. No | Part No. | Description | No. off | Matl. Spec. | Cl. of Equip. | | Plate No. |
|------------|-----------------|---|---------|-------------|---------------|------|-----------|
| | | | | | M.R. | L.M. | |
| | | 1 2 3 4 5 6 | | | | | |
| 4176 | E.A1.30.299 | Bolt, special mounting, between main spar and tailplane structure top, port and starboard | 4 | S.65 | C/MR | | |
| 4177 | E.A1.30.321 | Bolt, special jointing, at rib 1 to main spar bracket | 8 | DTD.473 | C/MR | | |
| 4386 | E.A1.30.323 | Bolt, special jointing, at rib 1 to main spar bracket | 4 | S.11 | C | | |
| | E.A1.30.413 | BRACKET, TAILPLANE ACTUATOR CHANNEL, GROUP Spares for:— | 1 | — | — | | |
| | E.A1.30.379 | Bolt, special | 4 | S.65 | — | | |
| 352 | E.A1.30.279 | Bush, bearing | 2 | S.1 | C | | |
| 353 | E.A1.30.277 | Pin, attachment | 1 | S.11 | C | | |
| 13170 | E.A1.30.5 | Edge, leading tailplane, port | 1 | — | C | | |
| 12061 | E.A1.30.6 | Edge, leading tailplane, starboard | 1 | — | C | | |
| | E.A1.30.7 | EDGE, TRAILING, TAILPLANE, PORT, GROUP Spares for:— | 1 | — | MR | | |
| 10962 | E.A1.30.121 | Bolt, special mounting, centre hinge bracket | 2 | S.11 | C | | |
| 354 | E.A1.30.49 | BRACKET, HINGE, ELEVATOR Spares for:— | 1 | — | B | | |
| 2A/9500441 | SKEFKO BAL ½ | Ballrace | 1 | — | B | | |
| 355 | E.A1.30.401 | Housing, ballrace | 1 | DTD.683 | C | | |
| 1774 | EEAS.4/20G | Washer, packing, 20 SWG | 1 | L.72 | C | | |
| 356 | E.A1.30.117 | BRACKET, HINGE ELEVATOR CENTRE, PORT, GROUP Spares for:— | 1 | — | B | | |
| 2A/9500441 | SKEFKO BAL ½ | Ballrace | 1 | — | B | | |
| 357 | E.A1.30.399 | Housing, ballrace | 1 | DTD.683 | C | | |
| 12920 | E.A1.30.383 | Cup, sealing, elevator lock recess | 2 | L.40 | C | | |
| | E.A1.30.8 | EDGE, TRAILING, TAILPLANE, STARBOARD, GROUP Spares for:— | 1 | — | — | | |
| 10962 | E.A1.30.121 | Bolt, special mounting, centre hinge bracket ... | 2 | S.11 | C | | |
| | E.A1.30.313 | Bolt, special mounting | 2 | S.11 | — | | |
| 354 | E.A1.30.49 | BRACKET, HINGE, ELEVATOR, OUTBOARD, GROUP Spares for:— | 1 | — | B | | |
| 2A/9500441 | SKEFKO BAL ½ | Ballrace | 1 | — | B | | |
| 355 | E.A1.30.401 | Housing, ballrace | 1 | — | C | | |
| 1774 | EEAS.4/20G | Washer, packing, 20 SWG | 1 | L.72 | C | | |
| 356 | E.A1.30.117 | BRACKET, HINGE, ELEVATOR CENTRE, STARBOARD, GROUP Spares for:— | 1 | — | B | | |
| 2A/9500441 | SKEFKO BAL ½ | Ballrace | 1 | — | B | | |
| 357 | E.A1.30.399 | Housing, ballrace | 1 | DTD.683 | C | | |

**TAIL UNIT
TAIL PLANE AND ELEVATORS**

| Ref. No | Part No. | Description | | | | | No. off | Matl. Spec. | Cl. of Equip. M.R. L.M. | Plate No. | |
|------------|-----------------|--|---|---|---|---|---------|--------------|-------------------------------|-----------|---|
| | | 1 | 2 | 3 | 4 | 5 | | | | | 6 |
| 5178 | E.A1.30.291 | | | | | | 1 | — | C | | |
| 5177 | E.A1.30.293 | | | | | | 1 | — | C | | |
| 12920 | E.A1.30.383 | | | | | | 2 | L.40 | C | | |
| 6735 | E.A1.31.307 | | | | | | 1 | — | B/MR | | |
| | | HOUSING, BEARING, CENTRE CONTROL, PORT, ASSEMBLY | | | | | | | | | |
| | | Consisting of:— | | | | | | | | | |
| 2A/9500470 | SKEFKO CBA.5 | | | | | | 1 | — | B | | |
| 28N/12452 | AGS.2030/57 | | | | | | 1 | — | C | | |
| | E.A1.31.45 | | | | | | 1 | DTD.683 | — | | |
| 6736 | E.A1.31.308 | | | | | | 1 | — | B/MR | | |
| | | HOUSING, BEARING, CENTRE CONTROL, STARBOARD, ASSEMBLY | | | | | | | | | |
| | | Consisting of:— | | | | | | | | | |
| 2A/9500470 | SKEFKO CBA.5 | | | | | | 1 | — | B | | |
| 28N/12452 | AGS.2030/57 | | | | | | 1 | — | C | | |
| | E.A1.31.46 | | | | | | 1 | DTD.683 | — | | |
| 5073 | EEAS.65 | | | | | | 1 | — | C | | |
| | E.A1.30.389 | | | | | | 1 | — | MR | | |
| | E.A1.30.390 | | | | | | 1 | — | MR | | |
| | E.A1.30.33 | | | | | | 1 | — | — | | |
| | | SPAR, MAIN, TAILPLANE CENTRE SECTION, GROUP | | | | | | | | | |
| | | Spares for:— | | | | | | | | | |
| 5869 | E.A3.30.145 | | | | | | 4 | S.99 | C | | |
| | E.A1.30.263 | | | | | | 2 | S.65 | — | | |
| | E.A1.30.265 | | | | | | 2 | S.65 | — | | |
| 5020 | E.A1.30.267 | | | | | | 4 | Alumn. | C | | |
| 1073 | EEAS.28/15JR | | | | | | 8 | L.72 | C | | |
| 13130 | E.A3.00.515 | | | | | | 1 | — | C | | |
| | | TAILPLANE, GROUP (MOD. 1277) | | | | | | | | | |
| | | Spares for this group are identical with those for group Ref. No. 2993 on page 951 | | | | | | | | | |
| 31026 | E.A3.00.1003 | | | | | | 1 | — | C | | |
| | | TAILPLANE, GROUP (MOD. 2148) | | | | | | | | | |
| | | Spares for this group are identical with those for group Ref. No. 2993 on page 951 | | | | | | | | | |
| 25607 | E.A3.30.269 | | | | | | 1 | — | C | | |
| | | TAPPET, MICRO SWITCH, TAILPLANE TRAVEL LIMIT, ASSEMBLY (MOD. 2107) | | | | | | | | | |
| | | Spares for:— | | | | | | | | | |
| | E.A1.30.367 | | | | | | 1 | L.40 | — | | |
| | E.A1.30.371 | | | | | | 1 | L.56 | — | | |
| | E.A3.30.277 | | | | | | 1 | L.64 or L.65 | — | | |
| 359 | E.A1.30.369 | | | | | | 1 | DTD.215 | C | | |
| 394 | E.A1.30.373 | | | | | | 1 | — | C | | |
| | | TAPPET, MICRO SWITCH, TAILPLANE TRAVEL LIMIT, GROUP | | | | | | | | | |
| | | Consisting of:— | | | | | | | | | |
| | E.A1.30.367 | | | | | | 1 | L.40 | — | | |
| | E.A1.30.371 | | | | | | 1 | L.56 | — | | |
| | E.A1.30.365 | | | | | | 1 | L.40 | — | | |
| 28P/10389 | AGS.502/1 | | | | | | 1 | LA | C | | |
| | E.A1.30.369 | | | | | | 1 | DTD.215 | C | | |
| | E.A1.31.165 | | | | | | 2 | L.64 | C | | |
| 345 | E.A1.31.361 | | | | | | 2 | L.72 | C | | |

Restricted

| Ref. No. | Part No. | 1 | 2 | 3 | 4 | 5 | 6 | Description | No. off | Matl. Spec. | Cl. of Equip. | Plate No. |
|----------|----------|---|---|---|---|---|---|-------------|---------|-------------|---------------|-----------|
| | | | | | | | | | | | M.R. | |
| | | | | | | | | | | | | |

⁹⁵⁵
Pages ~~957~~ to 966 not issued



**TAIL UNIT
TAIL PLANE AND ELEVATORS**

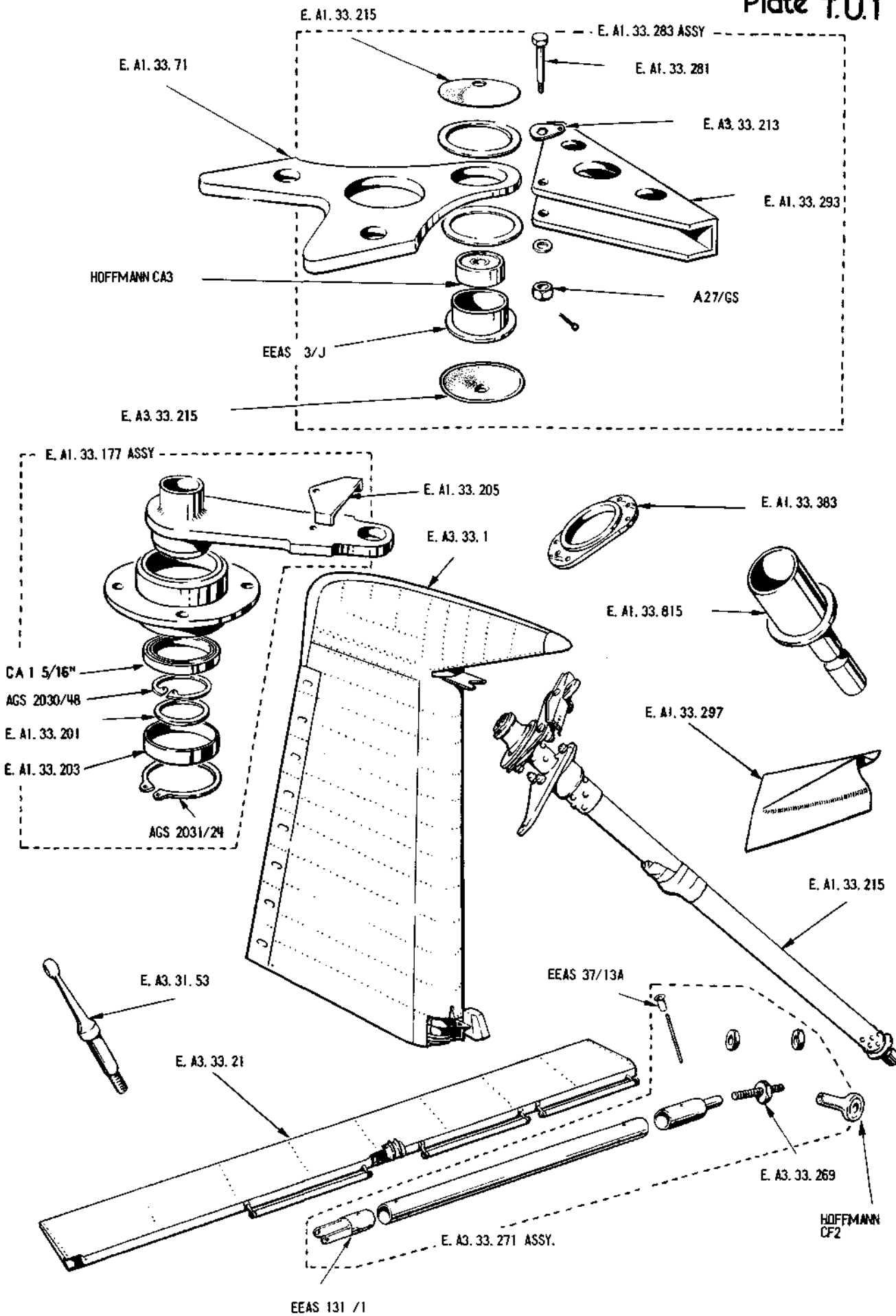
| Ref. No. | Part No. | Description | | | | | No. off | Matl. Spec. | Cl. of St. | Plate and Illust'n No. |
|---|------------|--|---|---|---|---|---------|-------------|------------|------------------------|
| | | 1 | 2 | 3 | 4 | 5 | | | M.R. | |
| SUMMARY OF STOCK ITEMS USED ON TAILPLANE AND ELEVATORS, ASSEMBLY | | | | | | | | | | |
| 28D/12629 | A.25/8C | Bolt, 2 BA, hex. head, 1."25 long | | | | | ... | ... | C | |
| 28D/12515 | A.25/10C | Bolt, 2 BA, hex. head, 1."45 long | | | | | ... | ... | C | |
| 28D/12520 | A.25/4E | Bolt, 1/4" BSF, hex. head, .9 long | | | | | ... | ... | C | |
| 28D/12542 | A.25/5E | Bolt, 1/4" BSF, hex. head, 1."0 long | | | | | ... | ... | C | |
| 28D/12513 | A.25/2C | Bolt, 2 BA, hex. head, .65 long | | | | | ... | ... | C | |
| 28D/12531 | A.25/3C | Bolt, 2 BA, hex. head, .75 long | | | | | ... | ... | C | |
| 28D/12532 | A.25/4C | Bolt, 2 BA, hex. head, .85 long | | | | | ... | ... | C | |
| 28D/12533 | A.25/5C | Bolt, 2 BA, hex. head, .95 | | | | | ... | ... | C | |
| 28D/12633 | A.25/7E | Bolt, 1/4" BSF, hex. head, 1."2 long | | | | | ... | ... | C | |
| 28D/12544 | A.25/8E | Bolt, 1/4" BSF, hex. head, 1."3 long | | | | | ... | ... | C | |
| 28D/12774 | A.25/4G | Bolt, 5/16" BSF, hex. head, .95 long | | | | | ... | ... | C | |
| 28D/12787 | A.25/5G | Bolt, 5/16" BSF, hex. head, 1."05 long | | | | | ... | ... | C | |
| 28D/12816 | A.25/7G | Bolt, 5/16" BSF, hex. head, 1."25 long | | | | | ... | ... | C | |
| 28D/12554 | A.25/15J | Bolt, 3/8" BSF, hex. head, 2."15 long | | | | | ... | ... | C | |
| 28D/12522 | A.25/14J | Bolt, 3/8" BSF, hex. head, 2."5 long | | | | | ... | ... | C | |
| 28D/13714 | A.25/10L | Bolt, 7/16" BSF, hex. head, 1."7 long | | | | | ... | ... | C | |
| 28D/12515 | A.28/10C | Bolt, 2 BA, hex. head, 1."45 long | | | | | ... | ... | C | |
| 28D/8307 | AS.1242/2C | Bolt, 2 BA, c'sk head, .6 long | | | | | ... | ... | C | |
| 28D/8309 | AS.1242/4C | Bolt, 2 BA, c'sk head, .8 long | | | | | ... | ... | C | |
| 28D/8326 | AS.1242/5E | Bolt, 1/4" BSF, c'sk head, .95 long | | | | | ... | ... | C | |
| 28D/8308 | AS.1242/3C | Bolt, 2 BA, c'sk head, .7 long | | | | | ... | ... | C | |
| 28D/8325 | AS.1242/4E | Bolt, 1/4" BSF, c'sk head, .85 long | | | | | ... | ... | C | |
| 28N/5553 | AGS.899/6 | Collar, 5/16" dia. | | | | | ... | ... | C | |
| 28M/12929 | A.27/CP | Nut, 2 BA, plain | | | | | ... | ... | C | |
| 28M/13121 | A.27/CS | Nut, 2 BA, slotted | | | | | ... | ... | C | |
| 28L/13124 | A.27/CT | Nut, 2 BA, thin | | | | | ... | ... | C | |

**TAIL UNIT
TAIL PLANE AND ELEVATORS**

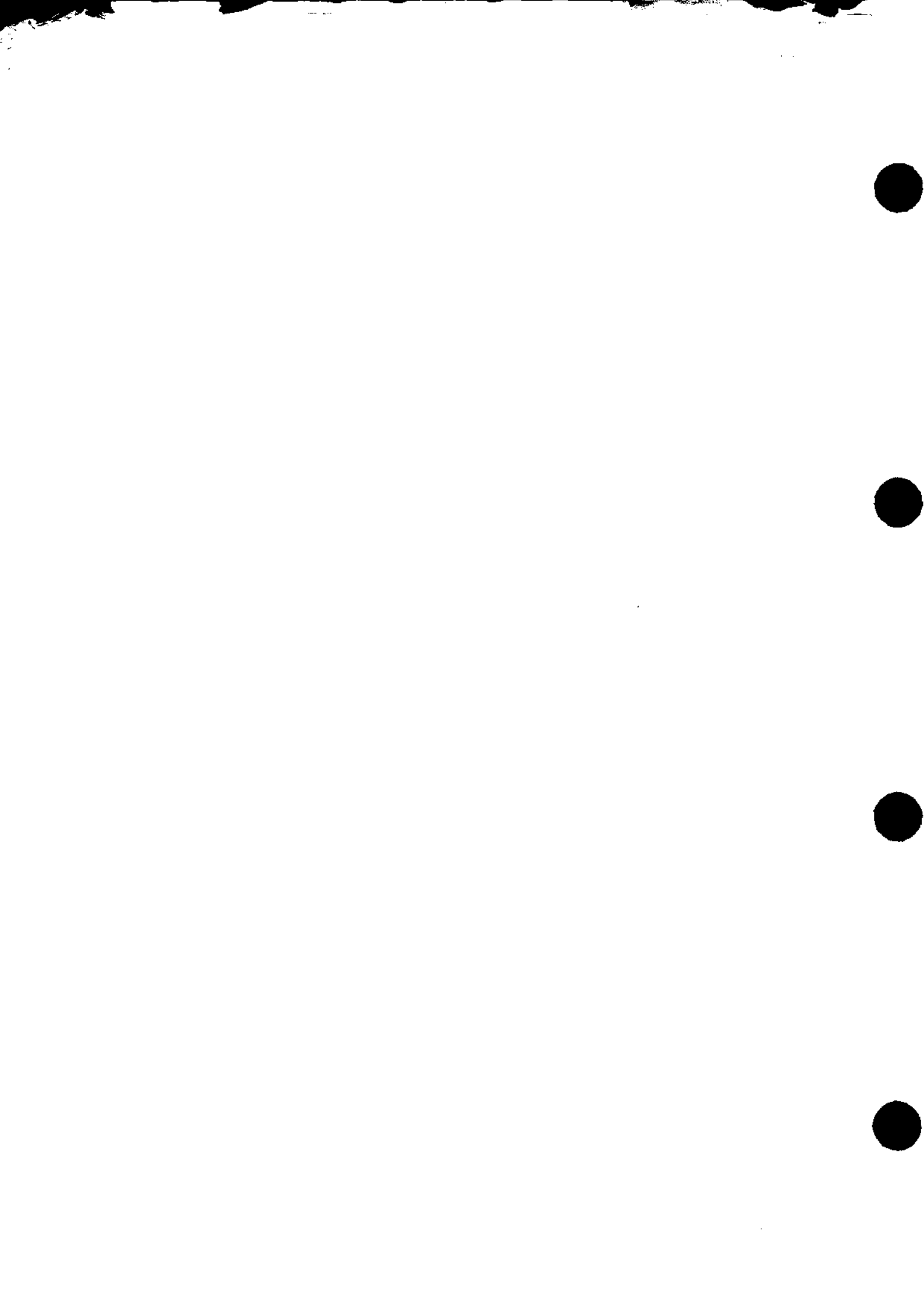
| Ref. No. | Part No. | Description | | | | | No. off | Matl. Spec. | Cl. of St. | Plate and Illust'n No. |
|-----------|--------------|-------------|-------------------------|---------------------------|-------------------|-----|---------|-------------|------------|------------------------|
| | | 1 | 2 | 3 | 4 | 5 | | | M.R. | |
| 28M/12928 | A.27/EP | Nut, | $\frac{1}{4}$ " | BSF, | plain | ... | ... | ... | C | |
| 28M/12930 | A.27/ES | Nut, | $\frac{1}{4}$ " | BSF, | slotted | ... | ... | ... | C | |
| 28L/12931 | A.27/ET | Nut, | $\frac{1}{4}$ " | BSF, | thin | ... | ... | ... | C | |
| 28M/13375 | A.27/GP | Nut, | $\frac{5}{16}$ " | BSF, | plain | ... | ... | ... | C | |
| 28M/13122 | A.27/GS | Nut, | $\frac{5}{16}$ " | BSF, | slotted | ... | ... | ... | C | |
| 28L/13326 | A.27/GT | Nut, | $\frac{5}{16}$ " | BSF, | thin | ... | ... | ... | C | |
| 28M/13123 | A.27/JS | Nut, | $\frac{3}{8}$ " | BSF, | slotted | ... | ... | ... | C | |
| 28L/13028 | A.27/JT | Nut, | $\frac{3}{8}$ " | BSF, | thin | ... | ... | ... | C | |
| 28L/13811 | A.27/JTL | Nut, | $\frac{1}{8}$ " | BSF, | thin, L.H. thread | ... | ... | ... | C | |
| 28M/13324 | A.29/CP | Nut, | 2 BA, | plain | ... | ... | ... | ... | C | |
| 28M/13376 | A.29/EP | Nut, | $\frac{1}{4}$ " | BSF, | plain | ... | ... | ... | C | |
| 28M/13719 | A.29/ES | Nut, | $\frac{1}{4}$ " | BSF, | slotted | ... | ... | ... | C | |
| 28M/13451 | A.29/JS | Nut, | $\frac{3}{8}$ " | BSF, | slotted | ... | ... | ... | C | |
| 28M/7683 | AGS.572/A | Nut, | $\frac{1}{4}$ " | BSF, | thin, slotted | ... | ... | ... | C | |
| 28M/10623 | AGS.759/G | Nut, | $\frac{7}{16}$ " | BSF | ... | ... | ... | ... | C | |
| 28M/6036 | AGS.759/H | Nut, | $\frac{1}{2}$ " | BSF | ... | ... | ... | ... | C | |
| 28M/6851 | AGS.760/H | Nut, | $\frac{1}{2}$ " | BSF | ... | ... | ... | ... | C | |
| 28M/10288 | AGS.2001/C/1 | Nut, | stiff, 2 BA | ... | ... | ... | ... | ... | C | |
| 28M/10328 | AGS.2002/C/1 | Nut, | stiff, 2 BA | ... | ... | ... | ... | ... | C | |
| 28M/8932 | CD.1 | Nut, | stiff, 2 BA | ... | ... | ... | ... | ... | C | |
| 28M/8958 | EE.1 | Nut, | plate, $\frac{1}{4}$ " | BSF, | "Oddie" | ... | ... | ... | C | |
| 28P/12587 | SP.9/C4 | Pin, | split, $\frac{1}{16}$ " | \times $\frac{1}{2}$ " | ... | ... | ... | ... | C | |
| 28P/12527 | SP.9/C10 | Pin, | split, $\frac{1}{16}$ " | \times $1\frac{1}{4}$ " | ... | ... | ... | ... | C | |
| 28P/12726 | SP.9/C12 | Pin, | split, $\frac{1}{16}$ " | \times $1\frac{1}{2}$ " | ... | ... | ... | ... | C | |
| 28P/12462 | SP.9/C8 | Pin, | split, $\frac{1}{16}$ " | \times 1" | ... | ... | ... | ... | C | |
| 28P/12465 | SP9/G12 | Pin, | split, $\frac{1}{8}$ " | \times $1\frac{1}{2}$ " | ... | ... | ... | ... | C | |

**TAIL UNIT
TAIL PLANE AND ELEVATORS**

| Ref. No. | Part No. | Description | | | | | No. off | Mati. Spec. | Cl. of St. | Plate and Illustr'n No. |
|-----------|----------|-------------|---|-----|------------|-----|---------|-------------|------------|-------------------------|
| | | 1 | 2 | 3 | 4 | 5 | | | M.R. | |
| 28S/2809 | A33/B12 | Screw, | 4 | BA, | c'sk head | ... | ... | ... | C | |
| 28W/12296 | SP.15/C | Washer, | 2 | BA, | plain | ... | ... | ... | C | |
| 28W/12496 | SP.15/E | Washer, | 1 | " | BSF, plain | ... | ... | ... | C | |
| 28W/12324 | SP.15/G | Washer, | 1 | " | BSF, plain | ... | ... | ... | C | |
| 28W/12355 | SP.16/C | Washer, | 2 | BA, | plain | ... | ... | ... | C | |
| 28W/12297 | SP.16/E | Washer, | 1 | " | BSF, plain | ... | ... | ... | C | |
| 28W/12322 | SP.16/J | Washer, | 1 | " | BSF, plain | ... | ... | ... | C | |



RUDDER AND TAB OPERATING GEAR



This file was downloaded
from the RTFM Library.

Link: www.scottbouch.com/rtfm

Please see site for usage terms,
and more aircraft documents.

