

**ARMAMENT
BOMB GEAR**

Ref. No.	Part No.	Description	No. off	Matl. Spec.	Cl. of Equip.	Plate No.
					M.R. L.M.	
	E.A1.97.9	BOMB GEAR, ASSEMBLY	—	—	—	
		Spares for:—				
11A/3690	E.A3.97.111	ADAPTOR , auxiliary beam, rear, in light series bomb carrier	2	—	A	
11A/3691	E.A3.97.113	ADAPTOR , auxiliary beam, rear, in light series bomb carrier	2	—	A	
11A/3688	E.A3.97.115	ADAPTOR , auxiliary beam, forward, in light series bomb carrier	4	—	A	
11A/3689	E.A3.97.117	ADAPTOR , auxiliary beam, forward, in light series bomb carrier	4	—	A	
11A/3680	E.A3.97.343	BEAM, FORWARD, SECONDARY BOMB, GROUP	1	—	A	BG.1
		Spares for:—				
	E.A1.97.11	BEAM, BOMB, ASSEMBLY	—	—	—	
		Spares for:—				
11A/3824	E.A1.97.253	BUSH , eccentric $\frac{3}{8}$ " bore	4	DTD.683	C	BG.1
11A/3825	E.A1.97.251	BUSH , eccentric $\frac{5}{8}$ " bore	4	DTD.683	C	BG.1
11A/3701	E.A1.97.363	CRUTCH BOLT , c/w pad	4	—	C	BG.1
11A/5465	E.A3.97.579	CRUTCH BOLT, ASSEMBLY (Arm. Mod. 23) ...	10	—	C	BG.1
11A/3838	E.A2.97.87	PEG , triple carrier locating	5	—	C	BG.1
11A/3840	E.A3.97.413	PEG , triple carrier locating	1	—	C	BG.1
11A/3841	E.A1.97.133	PIN , beam attachment	2	—	C	BG.1
11A/3827	E.A3.97.461	BOLT , special eye, at frame 17	2	DTD.683	C	BG.1
11A/3828	E.A3.97.463	BOLT , special eye, at frame 21	2	DTD.683	C	BG.1
11A/3796	E.A3.97.313	BOLT , special bearing, bomb release unit ...	2	S.97	C	BG.1
11A/3837	E.A3.81.1821	PIN , retaining, connector block	6	DTD.683	C	
	AVIAT'N DEVS.					
28FP/30	A.618	PIN , pip, quick release, $\frac{3}{8}$ " dia.	2	H.T.S.	C	BG.1
	AVIAT'N DEVS.					
28FP/52	A.1018	PIN , pip, quick release, $\frac{3}{8}$ " dia.	2	H.T.S.	C	BG.1
11A/4715	†	UNIT , emergency release, No. 3 (Arm. Mod. 29)	2	—	A	
11A/3797	E.A3.97.315	WASHER , special	3	DTD.683	C	
11A/3681	E.A3.97.345	BEAM, REAR, SECONDARY BOMB, GROUP (PRE-ARM. MOD. 14)	1	—	A	BG.1
		Spares for:—				
	E.A1.97.17	BEAM, BOMB, ASSEMBLY	—	—	—	
		Spares for:—				
11A/4122	E.A1.97.173	ANGLE , cleat	2	DTD.683	C	
11A/4121	E.A1.97.171	BRACKET , forward pin, support	1	DTD.683	C	
	E.A1.97.172	BRACKET , forward pin, support	1	DTD.683	C	
11A/3701	E.A1.97.363	CRUTCH BOLT , c/w pad	4	—	C	BG.1
11A/5465	E.A3.97.579	CRUTCH BOLT, ASSEMBLY (Arm. Mod. 23) ...	8	—	C	BG.1
11A/3838	E.A2.97.87	PEG , triple carriers locating	5	—	C	BG.1
11A/3842	E.A1.97.175	PIN , attachment	2	—	C	BG.1
11A/3796	E.A3.97.313	BOLT , special bearing, bomb release unit ...	2	S.65	C	BG.1
	E.A3.97.421	EMERGENCY RELEASE, 4,000lb. BOMB	—	—	—	
		Spares for:—				
11A/3840	E.A3.97.413	PEG	1	—	C	
11A/3837	E.A3.81.1821	PIN , retaining connector block	6	DTD.683	C	
11A/3797	E.A3.97.315	WASHER , special	3	DTD.683	C	BG.1

**ARMAMENT
BOMB GEAR**

Ref. No.	Part No.	Description	No. off	Mati. Spec.	Cl. of Equip.		Plate No.
					M.R.	L.M.	
		1 2 3 4 5 6					
11A/4221	E.A3.97.559	BEAM, REAR, SECONDARY BOMB, GROUP (MOD. 432 AND ARM MOD. 14) Spares for this group are identical with those for Group Ref. No. 11A/3861 except for the following deletion and addition:— Delete:—	1	—		A	
	E.A1.97.17	BEAM, BOMB, ASSEMBLY Add:—	—	—		—	
	E.A3.97.565	BEAM, BOMB, ASSEMBLY Spares for this assembly are identical with those for assembly Part No. E.A1.97.17, except for the following additions:— Add:—	—	—		—	
	E.A3.97.545	BRACKET , for 300 gallon tank strap at frame 24 c/w bushes	2	—		—	
	E.A3.97.547	BRACKET , for 300 gallon tank strap at frame 27, port, c/w bushes	1	—		—	
	E.A3.97.548	BRACKET , for 300 gallon tank strap at frame 27, starboard, c/w bushes	1	—		—	
	E.A3.97.81	BOMB SIGHT, Mk. T.2 AND EQUIPMENT, GROUP Spares for:—	—	—		—	
9/4829	—	HOSE , connection, pitot and static line	2	—		B	
9/4855	—	HOSE , connection, supply line	1	—		B	
	E.A3.97.9	MOUNTING, BOMB SIGHT, GROUP Spares for:—	—	—		—	
973	E.A3.97.35	BOLT , special pivot, tie bar anchor	1	S.11		C	
974	E.A3.97.33	GATE , bomb sight mounting	1	DTD.304		C	
975	E.A3.97.43	PIN , special pivot	1	S.11		C	
	AVIAT'N DEVS.						
28FP/21	A.522	PIN , pip, tie bar locking	1	—		C	
2154	E.A3.97.247	PLATE , bomb sight base	1	DTD.683		C	
2155	E.A3.97.251	ROD, TIE, BOMB SIGHT MOUNTING BRACKET, GROUP Spares for:—	1	—		C	
	E.A3.97.249	BAR , tie, bomb sight mounting to air frame	1	DTD.683		—	
	E.A3.97.37	LUG , tie bar, L.H.	1	DTD.683		—	
	E.A3.97.39	LUG , tie bar, R.H.	1	DTD.683		—	
981	EEAS.20/2DR	TAB , locking, 20 SWG	1	L.72		C	
	EEAS.31/1HR	WASHER , packing, 12 SWG	2	L.72		—	

**ARMAMENT
BOMB GEAR**

Ref. No.	Part No.	Description	No. off	Matl. Spec.	Cl. of Equip.		Plate No.
					M.R.	L.M.	
	E.A3.97.49	MOUNTING, BOMB SIGHT COMPUTOR, GROUP	1	—	—		
		Spares for:—					
978	E.A3.97.77	BOLT , special pivot, computer latch securing (Make from A25/1E)	1	M.S.	C		
9/4471	†	COMPUTOR	1	—	A		
2049	E.A3.97.185	LATCH , computer securing	1	L.72	C		
18845	E.A3.97.83	PEG , locating	2	—	C		
6818	E.A3.97.71	PLATE , computer attachment	2	—	C		
18844	E.A3.97.79	PLATFORM , mounting	1	—	B/MR		
	AVIAT'N DEVS.						
28FP/7002000	A.403	PIN , quick release, computer latch, locating ...	1	—	C		
	TERRY						
28H/4100	No. 169-1"	RING , split	1	—	C		
	E.A3.97.335	STOWAGE , hand computer	1	Canvas	—		
11A/4228	†	CARRIER , triple bomb, Mk. 2	3	—	A		
11A/3682	E.A1.97.313	CRUTCH, FRONT, GROUP	2	—	B	BG.1	
		Spares for:—					
11A/3836	E.A1.97.311	BOLT , special, front crutch	1	DTD.683	C	BG.1	
11A/3834	E.A1.97.303	NUT , special, lock	1	DTD.683	C		
11A/3835	E.A3.97.511	PAD, CRUTCH, FRONT ASSEMBLY	—	—	B	BG.1	
		Spares for:—					
	E.A1.97.305	LINING , front crutch pad	1	Ferodo	—		
	E.A1.97.309	PAD , crutch, front	1	DTD.683	—		
11A/	E.A1.97.307	PLATE , bolt retaining	1	DTD.683	—		
11A/3683	E.A1.97.321	CRUTCH, REAR, GROUP	2	—	B	BG.1	
		Spares for:—					
11A/	E.A1.97.319	BOLT , crutch, rear, special	1	DTD.683	—	BG.1	
11A/3834	E.A1.97.303	NUT , special, lock	1	DTD.683	C	BG.1	
11A/3833	E.A3.97.509	PAD, CRUTCH, REAR, ASSEMBLY	—	—	B	BG.1	
		Spares for:—					
11A/	E.A1.97.315	LINING , rear crutch pad	1	Ferodo	—	BG.1	
11A/	E.A1.97.317	PAD , crutch, rear	1	DTD.683	—	BG.1	
	E.A1.97.291	HOUSING, BOMB RELEASE UNIT, GROUP ...	1	—	MR		
		Spares for:—					
11A/3686	E.A1.97.275	BOLT , special, bearing	1	S.96	C		
	E.A3.81.2495	PIN , connector, retaining	2	DTD.683	—		
3206	EEAS.28/54JS	WASHER , bearing bolt, special	1	DTD.687	C		
11A/3702	E.A1.97.285	WASHER , special	1	DTD.683	C		

**ARMAMENT
AIR DEFLECTOR IN BOMB BAY**

Ref. No.	Part No.	Description	No. off	Mati. Spec.	Cl. of Equip.		Plate No.
					M.R.	L.M.	
	E.B6.97.301	DEFLECTOR AND FRAME GROUP (MOD. 3154) (S.O.O.)	1	—	—	—	
		Spares for:—					
33059	E.B6.97.305	Deflector, assembly, lower	1	—	C		
33060	E.B6.97.307	Deflector, assembly, upper	1	—	C		
		Attaching parts for E.B6.97.305 and E.B6.97.307:—					
28D/1212750	A25/9J	Bolt, 3/8" BSF	4	—	C		
28M/10292	AGS.2001/J1	Nut, stiff, 3/8" BSF	4	—	C		
28W/9419477	SP.15/J	Washer	4	—	C		
	E.B6.97.303	FRAME ASSEMBLY	1	—	—		
		Spares for:—					
	E.B6.97.327 or E.B6.97.365	Bracket, lower, port	1	L.77	—		
	E.B6.97.329 or E.B6.97.367	Bracket, lower, starboard	1	L.77	—		
		Attaching parts for E.B6.97.327 and E.B6.97.329 or E.B6.97.365 and E.B6.97.367:—					
28D/1215333	AS.1246/7E	Bolt, 1/2" BSF	3	—	C		
28M/10290	AGS.2001/E1	Nut, stiff, 1/2" BSF	3	—	C		
	E.B6.97.377	Packing, radius	3	L.72	—		
	or BROWN BROS. BBH.104/8	Collar	3	—	—		
	BROWN BROS. BBH/FN/08/10 AND BROWN BROS. BBH/104/8	Pin, 1/4" hi-shear	3	—	—		
	BROWN BROS. BBH/101/FN/08/18	Collar	8	—	—		
		Pin, 1/4" hi-shear	8	—	—		
	E.B6.97.333 or E.B6.97.369	Bracket, upper, port	1	L.77	—		
	E.B6.97.335 or E.B6.97.371	Bracket, upper, starboard	1	L.77	—		
		Attaching parts for E.B6.97.333 and E.B6.97.335 or E.B6.97.369 and E.B6.97.371:—					
	E.B6.97.341	Collar, 2 3/4" o/d x 18 SWG	1	T.45 or S.93	—		
	E.B6.97.345 or E.B6.97.373	Link, connecting, for upper bracket at frame 27	2	L.77	—		
		Attaching parts for E.B6.97.345 or E.B6.97.373:—					
28M/9129449	E.B6.97.347	Bolt, shouldered	1	S.114 or S.96	—		
28W/9419466	A27/J5	Nut, 3/8" BSF	1	—	C		
	SP.13/J	Washer	1	—	C		
		Attaching parts for E.B6.97.301:—					
12653	E.A9.97.665	Bolt, 3/8" BSF	2	—	C		
	E.B6.97.347	Bolt, shouldered	2	S.114 or S.96	—		
28M/9129449	A27/J5	Nut, 3/8" BSF	2	—	C		
28M/13145	A27/Q5	Nut, 3/8" BSF	2	—	C		
28W/9419466	SP.13J	Washer	2	—	C		
28W/9419470	SP.13/Q	Washer	2	—	C		

**ARMAMENT
BOMB GEAR**

Ref. No.	Part No.	Description						No. off	Mati. Spec.	Cl. of Equip.		Plate No.
		1	2	3	4	5	6			M.R.	L.M.	
SUMMARY OF STOCK ITEMS USED ON BOMB GEAR, ASSEMBLY												
28D/1010658	A25/1B	Bolt, 4	BA	C		
28D/9436920	A25/1C	Bolt, 2	BA	C		
28D/9133012	A25/3C	Bolt, 2	BA	C		
28D/1011019	A25/8C	Bolt, 2	BA	C		
28D/1011238	A25/3E	Bolt, 1/4"	BSF	C		
28D/1008151	A25/4E	Bolt, 1/4"	BSF	C		
28D/1011244	A25/9E	Bolt, 1/4"	BSF	C		
28D/1011268	A25/33G	Bolt, 5/16"	BSF	C		
28D/1011299	A25/6J	Bolt, 3/8"	BSF	C		
28D/1212754	A25/17J	Bolt, 3/8"	BSF	C		
28D/1212755	A25/18J	Bolt, 3/8"	BSF	C		
28D/1011305	A25/20J	Bolt, 3/8"	BSF	C		
28D/1212757	A25/21J	Bolt, 3/8"	BSF	C		
28D/1212758	A25/22J	Bolt, 3/8"	BSF	C		
28D/1213135	A2517Q	Bolt, 3/8"	BSF	C		
28D/9446981	A26/21J	Bolt, 3/8"	BSF	C		
28D/1215011	A28/3E	Bolt, 1/2"	BSF	C		
28D/1214871	AS.1246/9B	Bolt, 4	BA	C		
28D/9140202	AS.1246/1C	Bolt, 2	BA	C		
28D/9128739	AS.1248/1/2B	Bolt, 4	BA	C		
28D/1007982	AS.1248/1C	Bolt, 2	BA	C		
28M/9403520	A27/CP	Nut, 2	BA	C		
28M/1011475	A27/EP	Nut, 1/2"	BSF	C		
28M/1007403	A27/ET	Nut, 1/2"	BSF	C		
28M/1006939	A27/GP	Nut, 1/2"	BSF	C		
28M/1011473	A27/JP	Nut, 3/8"	BSF	C		
28M/1011476	A27/JS	Nut, 3/8"	BSF	C		
28M/13376	A29/EP	Nut, 1/2"	BSF	C		
28M/15236	A29/EPL	Nut, 1/2"	BSF	C		
28M/10287	AGS.2001/B/1	Nut, stiff, 4	BA	C		
28M/10288	AGS.2001/C/1	Nut, stiff, 4	BA	C		
28M/10290	AGS.2001/E/1	Nut, 1/2"	BSF	C		
28M/10292	AGS.2001/J/1	Nut, stiff, 3/8"	BSF	C		
28M/10295	AGS.2001/Q/1	Nut, stiff, 3/8"	BSF	C		
28M/10332	AGS.2001/J/1	Nut, stiff, 3/8"	BSF	C		
28M/10335	AGS.2002/Q/1	Nut, stiff, 3/8"	BSF	C		
28P/1207	AGS.166/3	Pin, split, 3/16"	dia. x 1" long	C		
28P/19234	SP.90/E8	Pin, split, 3/16"	dia. x 1" long	C		
28S/1009986	A32/B6	Screw, 4	BA	C		
28W/9419402	SP.13/C	Washer	C		
28W/9418921	SP.13/E	Washer	C		
28W/9419403	SP.13/G	Washer	C		
28W/9419475	SP.15/C	Washer	C		
28W/9419405	SP.15/E	Washer	C		
28W/9419476	SP.15/G	Washer	C		
28W/9419489	SP.16/J	Washer	C		
28W/3099	AGS.162/D	Washer	C		
28W/6315	AGS.585/B	Washer	C		
28W/6317	AGS.585/D	Washer	C		

**ARMAMENT
BOMBSIGHT COMPUTOR AIR SUPPLY**

Ref. No.	Part No.	1	2	3	4	5	Description	No. off	Matl. Spec.	Cl. of St.	Plate and Illust'n No.
										M.R.	
	E.B6.70.1						BOMBSIGHT COMPUTOR AIR SUPPLY, ASSEMBLY	—	—	—	
							Consisting of :—				
	E.B6.70.3						PIPES, AIR SUPPLY, FRAME 12 TO FRAME 17, ASSEMBLY	—	—	—	
							Spares for :—				
	5542	EEAS.143/6					Clip, pipe, single, $\frac{1}{2}$ " o/d	5	DTD.610	C	
	1774	EEAS.143/17					Clip, pipe, single, $\frac{1}{2}$ " o/d	1	DTD.610	C	
	6347	EEAS.98/2					Lug, 18 SWG	1	DTD.610	C	
	5882	E.B6.70.5					Pipe, assembly, from coupling forward of frame 14 to engine air supply pipe aft of frame 16	1	L56	C	
	5883	E.A3.70.61					Pipe, assembly, from coupling forward of frame 14 to engine air supply pipe aft of frame 15	1	L56	C	
		E.A3.70.43					PIPES, AIR SUPPLY, FORWARD OF FRAME 1, ASSEMBLY	—	—	—	
							Spares for :—				
	17733	E.A3.70.73					Bracket, Vickers shut-off cock mounting attachment	1	—	C	
	1880	EEAS.91/1					Clip, pipe, double, $\frac{1}{4}$ " BSF	1	DTD.610	C	
	27F/2119	VICKERS D.253					Cock, shut-off, type D, $\frac{1}{4}$ " BSP	1	—	A	
	17732	E.A3.70.71					Mounting, Vickers shut-off cock	1	—	C	
	5884	E.A3.70.65					Pipe, assembly, between coupling forward of frame 1 and Vickers shut-off cock	1	L56	C	
	5885	E.A3.70.67					Pipe, assembly, from Vickers shut-off cock aft of frame B to $\frac{3}{8}$ " x $\frac{1}{4}$ " BSP reducing union forward of frame 1	1	L56	C	
	5871	E.A3.70.69					Pipe, assembly, from $\frac{3}{8}$ " x $\frac{1}{4}$ " BSP reducing union forward of frame 1 to computor connection	1	L56	C	
	5872	E.A3.70.77					Union, reducing, $\frac{3}{8}$ " x $\frac{1}{4}$ " BSP	1	DTD.683	C	
	16852	EEAS.21/2DR					Washer, 20 SWG	2	DTD.610	C	

**ARMAMENT
BOMBSIGHT COMPUTOR AIR SUPPLY**

Ref. No.	Part No.	Description					No. off	Matl. Spec.	Cl. of St. M.R.	Plate and Illust'n No.
		1	2	3	4	5				
	E.A3.70.45	PIPES, AIR SUPPLY, BETWEEN FRAME 1 AND PRESSURE BULKHEAD, ASSEMBLY					—	—	—	
		Spares for :—								
5542	EEAS.143/6	Clip , pipe, single, $\frac{1}{4}$ " o/d					4	DTD.610	C	
<i>1774</i>	EEAS.143/17	Clip , pipe, single, $\frac{1}{4}$ " o/d					3	DTD.610	C	
5886	E.A3.70.51	Pipe , assembly, from coupling forward of frame 1 to coupling aft of frame 2					1	L56	C	
5887	E.A3.70.53	Pipe , assembly, from coupling forward of frame 3 to coupling forward of frame 5					1	L56	C	
4918	E.A3.70.55	Pipe , assembly, from coupling forward of frame 6 to coupling at pressure bulkhead					1	L56	C	
12030	EEAS.21/2ER	Washer , special					4	DTD.610	C	
	E.A3.70.47	PIPES, AIR SUPPLY, FROM PRESSURE BULKHEAD TO FRAME 12A, ASSEMBLY					—	—	—	
		Spares for :—								
3757	E.A1.70.69	Block , air filter mounting at frame 12 ...					1	DTD.36B	C	
3756	E.A1.70.33	Clip , air filter mounting					1	DTD.390	C	
27G/2091	DUNLOP ACO.1268	Filter , air					1	DTD.390	B	
1128	EEAS.69/2	Gasket , pressure bulkhead adaptor					1	Neo-K-Tex	C	
5888	E.A3.70.57	Pipe , assembly, from coupling at pressure bulkhead to air filter coupling at frame 12					1	L56	C	
3879	E.A3.70.59	Pipe , assembly, from air filter coupling at frame 12 to air filter connection.					1	L56	C	
981	EEAS.20/2DR	Tab , locking, 20 SWG					2	DTD.610	C	

Pages 13 to 16 not issued

**ARMAMENT
BOMBSIGHT COMPUTOR AIR SUPPLY**

Ref. No.	Part No.						Description	No. off	Matl. Spec.	Cl. of St.	Plate and Illust'n No.
		1	2	3	4	5				M.R.	
SUMMARY OF STOCK ITEMS USED ON BOMBSIGHT COMPUTOR AIR SUPPLY											
28F/9501	AGS.1142/B						Adaptor, nipple				C
28F/9704	AGS.1102/B						Body, cone, union, 1/4" BSP			C	
28F/11268	AGS.1111/B						Body, union, bulkhead, 1/4" BSP			C	
28D/12528	A25/1B						Bolt, 4 BA, hex. head, .43 long... ..			C	
28D/12512	A25/1C						Bolt, 2 BA hex. head, 1.57 long			C	
28D/12539	A25/16C						Bolt, 2 BA hex. head, 1.97 long			C	
28M/10287	AGS.2001/B/1						Nut, stiff, 4 BA			C	
28M/10288	AGS.2001/C/1						Nut, stiff, 2 BA			C	
28M/12153	AGS.2007/B/1						Nut, 4 BA "Aerotight"			C	
28M/6931	AGS.957/B						Locknut			C	
28F/11274	AGS.1115/2						Plate, Washer			C	
28S/2057	A32/B12						Screw, 4 BA, round head, 3/8" long			C	
28W/2296	SP15/C						Washer, 2 BA, thin			C	

CANBERRA B Mk. 6

Page 18A

**ARMAMENT
CARRIER GUNSIGHT ASSEMBLY**

Ref. No.	Part No.	Description	No. off	Matl. Spec.	Cl. of Equip.		Plate No.
					M.R.	L.M.	
	E.B6.97.475	CARRIER, GUNSIGHT ASSEMBLY (MOD. 2692) ...	—	—	—		
		Spares for:—					
12852	E.B6.97.443	Bolt, special, 2 BA, 1"8 long, gunsight mounting ...	2	DTD.683	C		BG.2
12853	E.B6.97.433	Bush, plunger, spring retaining ...	2	Brass	C		BG.2
12854	E.B6.97.417	Bush, insulating, outer, 1/8" i/d x 1/4" o/d ...	2	LFS.21	C		BG.2
12855	E.B6.97.431	Bush, insulating, inner, 0"47 i/d ...	4	LFS.21	C		BG.2
32934	E.B6.97.477	Carrier, assembly, casting ...	1	—	B		BG.2
12857	E.B6.97.429	Cover, terminal ...	1	—	C		BG.2
5L/X952234	†	Lamp, filament, 24 V. ...	1	—	B		
12858	E.B6.97.419	Pin, pip, special ...	1	—	C		BG.2
12859	E.B6.97.441	Pin, stop ...	1	DTD.683	C		BG.2
12860	E.B6.97.435	Plunger ...	2	Brass	C		BG.2
8B/2465	†	Reflector, for gunsight, Mk. 3N ...	1	—	A		BG.2
12861	E.B6.97.437	Spring ...	2	—	C		BG.2
12862	E.B6.97.439	Washer, special ...	2	—	C		BG.2

Plate B.G.1

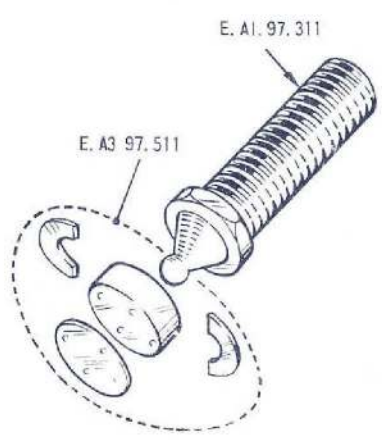
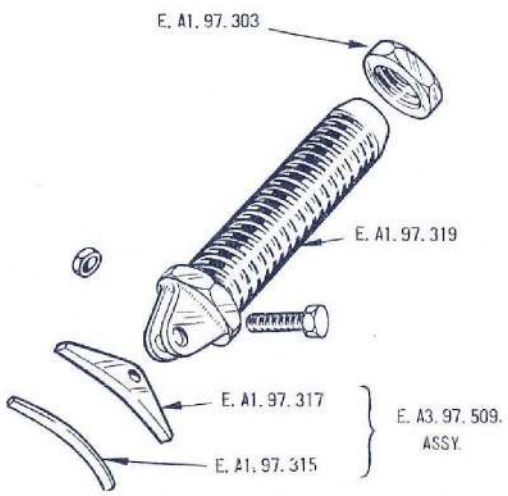
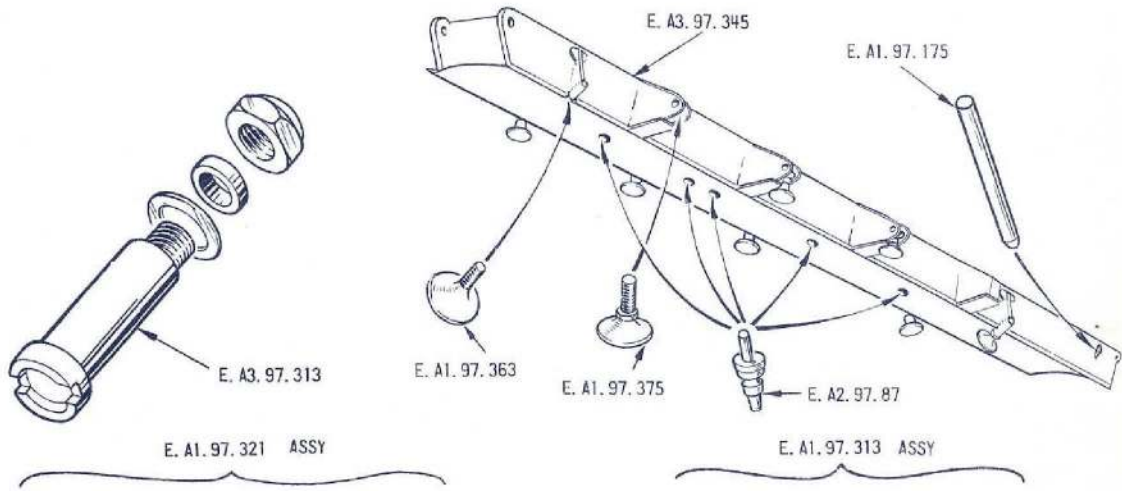
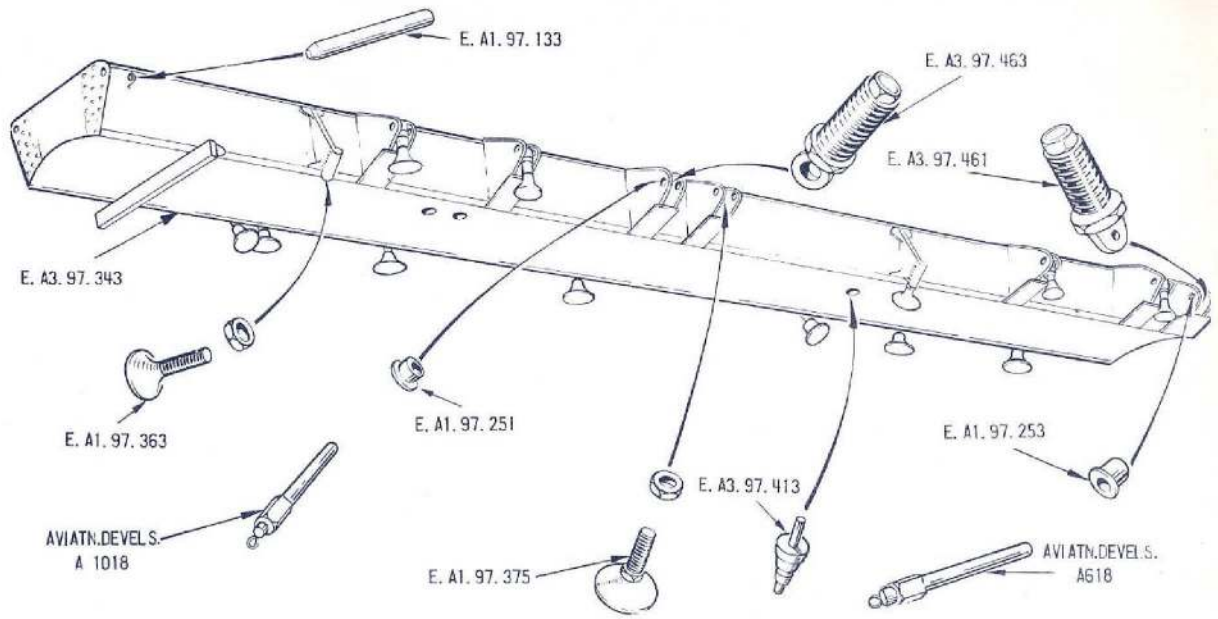
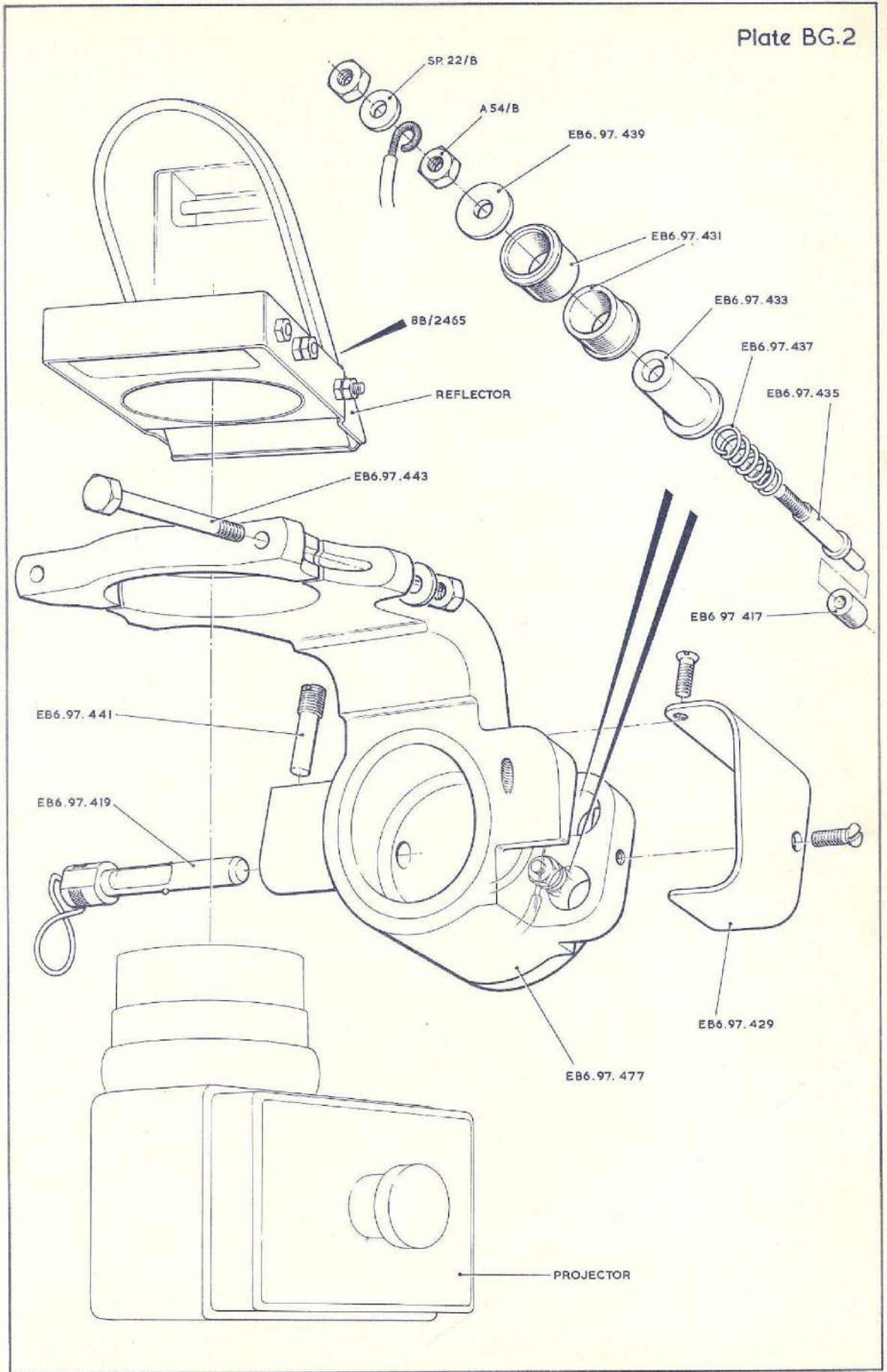


Plate BG.2



CARRIER GUNSIGHT ASSEMBLY

This file was downloaded
from the RTFM Library.

Link: www.scottbouch.com/rtfm

Please see site for usage terms,
and more aircraft documents.

