

**ARMAMENT
ANCILLARY EQUIPMENT**

Ref. No.	Part No.	Description	No. off	Matl. Spec.	Cl. of Equip.			Plate No.
					M.R.	L.M.		
	E.A9.71.1	ARMAMENT, GENERAL ARRANGEMENT	—	—	—	—	—	—
	E.B6.97.599	Spares for:— CLAMP, SWITCH, BOMB DOOR, INSTALLATION (MOD. 3917-S.O.O.)	—	—	—	—	—	—
	E.B6.97.597	Spares for:— CLAMP, ASSEMBLY, PORT	1	—	—	—	—	—
	E.B6.97.587	Spares for:— BRACKET	1	S.510	—	—	—	—
29H/4290	E.B6.97.593	FLAG , warning, red	1	DTD.407/A	—	—	—	—
	TERRY-169	RING , split	1	—	—	C	—	—
	E.B6.97.598	CLAMP, ASSEMBLY, STARBOARD	1	—	—	—	—	—
	E.B6.97.588	Spares for:— BRACKET	1	S.510	—	—	—	—
29H/4290	E.B6.97.593	FLAG , warning red	1	DTD.407/A	—	—	—	—
	TERRY-169	RING , split	1	—	—	C	—	—
	E.A9.88.77	GROUND, EQUIPMENT	—	—	—	—	—	—
	95412 GM/C/1776	Spares for:— COVER , waterproof, Avro triple carrier	1	—	—	A	—	—
	1970 E.A1.40.169	EYE-BOLT	1	—	—	C	—	—
	4G/8668 E.G5.88.7	FORESIGHT, ASSEMBLY (MOD. 3999-S.O.O.)	1	—	—	A	—	—
	E.G5.88.13	Consisting of:— DRUM , alignment	1	L.85	—	—	—	—
28M/1006939	A27/GP	NUT , 3/8" BSF	1	—	—	C	—	—
	E.G5.88.11	SPIGOT , drum	1	S.124	—	—	—	—
28W/9419403	SP.13/G	WASHER	1	—	—	C	—	—
	95452 DL.617.44C	HANDLE , crutching, tool	1	—	—	B	—	—
	95416 ALVIS AS.19322	JIG , alignment	3	—	—	A	—	—
	95415 ALVIS AS.19327	SETS , adaptor	Set of 3	—	—	A	—	—
	95451 E.A9.88.35	SHAFT , crutching tool	1	—	—	B	—	—
	95450 E.A9.88.33	SPANNER , bomb and rocket pylon spigots	1	M.S.	—	B	—	—
4G/8669	E.G5.88.9	SPIGOT, INSTRUMENT, ALIGNING (MOD. 3990-S.O.O.)	1	—	—	A	—	—
	E.G5.88.15	Consisting of:— NUT , conical	1	S.124	—	—	—	—
	E.G5.88.17	NUT , lock	1	S.124	—	—	—	—
	E.G5.88.1	SPIGOT	1	S.124	—	—	—	—
	95453 E.A9.88.75	TOOL , cocking	1	—	—	B	—	—
	95623 ST8/5677	TOOL , special, alignment spigots (Mod. 3990-S.O.O.)	1	—	—	B	—	—
	E.A9.88.101	TOOLS, SPECIAL, FOR GUNPACK, ASSEMBLY	—	—	—	—	—	—
	—	Spares for:— BOX , transit, B.F.M. (Mk. 5, Stores Ref. 7G/1295, modified)	1	—	—	—	—	—
	95419 E.A9.88.113	BAR , levelling	1	M.S.	—	B	—	—
27D/3071	E.A9.88.123	COVER , gunpack	1	—	—	A	—	—
	E.A9.88.157	DISPENSER, AMMO.	1	—	—	—	—	—
	95481 E.A9.88.127	Consisting of:— COVER , ammo trolley	2	—	—	A	—	—
	95482 E.A9.88.159	TROLLEY , ammo, loading	2	—	—	A	—	—
	95420 E.A9.88.111	GAUGE , gap, rack roller	1	S.3	—	B	—	—
	1L/3 BRITTOOL E.98	HANDLE , extension	1	—	—	B	—	—
	1L/50 BRITTOOL E.74	HANDLE , ratchet, 1/2" sq. drive	1	—	—	B	—	—
	95429 E.A9.88.115	PLATFORM , gunpack, loading trolley	1	Boiler plate	—	A	—	—

**ARMAMENT
ANCILLARY EQUIPMENT**

Ref. No.	Part No.	1	2	3	4	5	6	Description	No. off	Matl. Spec.	Cl. of Equip.	Plate No.
											M.R.	
												L.M.
95438	E.A9.88.255							STAND , storage	1	—	B	
95439	E.A9.88.257							STAND, SERVICING	1	—	B	
								Spares for:—				
95575	REVO 1008Q							CASTOR , wheel	2	—	B	
95576	REVO 972Q							CASTOR , wheel	2	—	B	
1L/43	BRITTOOL EB.1010							SOCKET , 3/4" BSF	1	—	B	
1L/45	BRITTOOL EB.1200							SOCKET , 5/8" BSF	1	—	B	
95423	E.A9.88.105							SPANNER , special, ring nut, cradle, attachment	1	—	B	
95422	E.A9.88.107							SPANNER , special, lock nut, vertical harmoni- sing screw	1	S.14	B	
95421	E.A9.88.109							SPANNER , special, hot air pipe	1	M.S.	B	
95424	E.A9.88.311							SPANNER , O.J., 2 3/4" A/F, rear bomb beam sus- pension point, eye-bolt at frame 21	1	S.3	B	
95463	E.A9.88.309							SPANNER , O.J., 2" A/F, gun pack and hot air pipe adjustment	1	S.3	B	
95425	E.A9.88.307							SPANNER , O.J., 1 1/8", gun pack, forward lateral adjustment	1	S.3	B	
7G/	E.A9.88.443							SPANNER , special, recoil unit (Mod. GE.2397) ...	1	—	—	
95426	E.A9.88.117							STRAP , loading	1	—	B	
95427	E.A9.88.103							TOOL , belt coupling	1	S.3	B	
7G/1456								TOOL , breech stoppage	1	—	A	
4G/5561	ARM.92751							TROLLEY , Lansing Bagnall	1	—	A	
4G/2668								TROLLEY , bomb, Type F	1	—	A	
95111	ALVIS 18101							TROLLEY , bomb, low loading (See page 640) ...	1	—	A	
7G/1164								UNIT , cocking, hand operated	1	—	A	
95502	E.A9.88.69							TRUNNION , winch	2	—	C	
1L/171								WRENCH , crutching tool torque	1	—	B	

Pages 5 to 14 not issued

1900

**ARMAMENT
ARMAMENT INTERDICTOR ROLE**

Ref. No.	Part No.	Description	No. off	Matl. Spec.	Cl. of Equip.	Plate No.
					M.R. L.M.	
		1 2 3 4 5 6				
	E.A9.97.1	ARMAMENT, GENERAL ARRANGEMENT	—	—	—	
	E.A9.97.7	Spares for:— ARRANGEMENT OF PYLON TO WING	—	—	—	
		Consisting of:—				
11A/5898	E.A9.97.1363	PLATE , cover, pylon (Arm. Mod. 33)	2	—	B	
11A/1991484	E.A9.97.1601	PLATE, COVER, PYLON SOLEPLATE, ASSEMBLY (ARM. MOD. 63—S.O.O.)	2	—	B	
		Spares for:—				
	E.A9.97.1607	PAD , sealing	1	DTD.5531	—	
	E.A9.97.1605	PLATE , cover	1	—	—	
11A/4217	E.A9.97.457	PYLON, BOMB AND ROCKET, PORT, ASSEMBLY	1	—	A	A.3/8
		Spares for:—				
	E.A9.97.613	BRACKET , for plug, SIS.1657	1	L.65	C	A.3/8
	E.A9.97.615	BUSH , for blanking screw emergency release access	2	S.1	—	
11A/	E.A9.81.6351	CABLE, ASSEMBLY, PL1, FROM JB.17 TO COCKING TEST, NOSE AND TAIL FUSING AND S.S.D., AND MICRO-SWITCH (ARM. MOD. 62)	1	—	—	
		Consisting of:—				
5E/4183	† PLESSEY	CABLE , Uninyvin 20	QR	—	C	
10H/	508/1/07779/001	CLAMP , cable	1	—	—	
	5D/1935	CONNECTOR	2	—	C	
	5D/2038	CONNECTOR , fusing, Mk. 3	2	—	C	
	PLESSEY					
10H/	508/2/07706/300	GASKET , outlet	1	—	—	
	PLESSEY					
10H/	508/2/07722/300	GASKET , union	1	—	—	
	PLESSEY					
10H/	508/2/07643/001	OUTLET , straight	1	—	—	
5CY/9330749	†	PLUG , 2-pin, flat, type R	1	—	C	
	PLESSEY					
10H/	508/1/07029/220	PLUG , free, 12-way	1	—	—	
	PLESSEY					
10H/1051296	508/2/07709/300	RING , sealing	1	—	C	
	PLESSEY					
10H/0970097	508/2/07757/007	RING , thrust	1	—	C	
5K/9107068	EEAS.146/2	SLEEVE , 1" long	QR	—	C	
	5K/3367	SLEEVE , 2" long	QR	—	C	
5K/9107066	EEAS.146/12	SLEEVE , 1" long	QR	—	C	
5K/9107065	EEAS.146/20	SLEEVE , ¾" long	QR	—	C	
	5D/102607	SPRING-PLATE	1	—	C	
	5F/9454141	STRAP	QR	—	C	
	5F/9138822	STUD	QR	—	C	
5X/1010324	HC.296	TAG	2	—	C	
	E.G4.81.2445	CABLE, ASSEMBLY, PL2, FROM JB.17 AND JB.18 TO BOMB SLIP HOUSING, GROUP (ARM. MOD. 62)	1	—	—	
		Consisting of:—				
11A/1991482	E.G4.97.821	BOLT , special, 6 BA	3	S.11	C	
	5E/4183	CABLE , Uninyvin 20	QR	—	C	
10H/0970293	CZ.59316	CLAMP , cable	1	—	C	
10H/0970296	CZ.59319	CLAMP , cable	1	—	C	
	5D/1811	CONNECTOR , butt, SKT-12-way	1	—	C	
10H/0970107	Z.62234	GASKET , union	1	—	C	
10H/0970060	Z.60669	GASKET , outlet	1	—	C	
10H/0970110	Z.62239	GASKET , union	1	—	C	

**ARMAMENT
ARMAMENT INTERDICTOR ROLE**

Ref. No.	Part No.	Description	No. off	Matl. Spec.	Cl. of Equip.	Plate No.
					M.R. L.M.	
11A/1991483	E.G4.97.843	HOUSING, CONNECTOR, ASSEMBLY ...	1	—	B	
5X/6757	EEAS.68/6	Consisting of:— ADAPTOR , reducing ...	1	—	C	
	E.A9.97.599	HOUSING , connector ...	1	DTD.683	—	
	E.G4.97.845	SLIDE , housing connector ...	1	DTD.239	C	
	E.A9.97.603	SPRING ...	1	—	C	
28M/10286	AGS.2001/A/1	NUT , 6 BA ...	3	—	C	
10H/0970067	CZ.49186	OUTLET , straight ...	1	—	C	
11A/1991481	E.G4.97.829	PIECE , distance ...	1	—	C	
10H/0560400	CZ.49228	PLUG , free, 25-way ...	1	—	C	
10H/0970098	Z.49084	RING , thrust ...	1	—	C	
10H/0970095	Z.49051	RING , thrust ...	1	—	C	
10H/0970087	Z.62228	RING , sealing ...	1	—	C	
10H/0970090	Z.62233	RING , sealing ...	1	—	C	
5K/	EEAS.118/1/PL2	SLEEVE , identification ...	1	—	—	
5K/	EEAS.118/1	SLEEVE , identification ...	1	—	—	
5K/9107065	EEAS.146/20	SLEEVE , 3/4" long ...	QR	—	C	
5K/9107068	EEAS.146/2	SLEEVE , 1" long ...	QR	—	C	
5K/3368	EEAS.146/00	SLEEVE , 1 1/2" long ...	QR	—	C	
5F/9434858	HV.3254	STRAP ...	QR	—	C	
5F/9138823	NT.3255	STUD ...	3	—	C	
	E.G4.97.775	CONDUIT , assembly, forward (Arm. Mod. 62)	1	—	—	
	E.G4.97.777	CONDUIT , assembly, aft (Arm. Mod. 62) ...	1	—	—	
28D/1214091	AS.1242/2C	Attaching parts for E.G4.97.775 and E.G4.97.777 Bolt, 2 BA ...	1	—	C	
11A/	E.A9.97.1585	GUN, EJECTOR RELEASE, ROCKETS, ASSEMBLY (ARM. MOD. 26) Consisting of:—	1	—	—	
11A/	M.L. AVIATION DC.617-301C	CABLE , assembly, in conduit ...	1	—	—	
11A/6163	E.A9.81.5103	CLAMP, CONDUIT, SECURING ...	1	—	C	
	E.A9.81.4875	Spares for:— PIN , locating ...	1	—	—	
28D/9132448	A25/12B	Attaching parts for E.A9.81.5103:— Bolt, 4 BA ...	1	—	C	
28M/1278189	AGS.2001/B/1	Nut, 4 BA ...	1	—	C	
28W/9419465	SP.13/B	Washer ...	1	—	C	
11A/6164	E.A9.81.5105	CLAMP, CONDUIT, SECURING ...	1	—	C	
	E.A9.81.4875	Spares for:— PIN , locating ...	1	—	—	
28D/9140639	A25/11B	Attaching parts for E.A9.81.5105:— Bolt, 4 BA ...	1	—	C	
28M/1278189	AGS.2001/B/1	Nut, 4 BA ...	1	—	C	
28W/9419465	SP.13/B	Washer ...	1	—	C	
11A/4621	†	GUN , ejector release, No. 1, Mk. 1 ...	1	—	A	
11A/4990	E.A9.97.551	Attaching parts for E.A9.97.1585:— Spigot ...	2	S.96	C	
	E.A9.97.549	HOUSING , spigot ...	2	S.96	—	

**ARMAMENT
ARMAMENT INTERDICTOR ROLE**

Ref. No.	Part No.	1	2	3	4	5	6	Description	No. off	Matl. Spec.	Cl. of Equip.	Plate No.
											M.R. L.M.	
11A/	E.A9.97.611							JACK, BOMB PYLON SCREW, ASSEMBLY ... Spares for:—	1	—	—	
	M.L. AVIATION											
11A/4880	DO.2008-1B							JACK, bomb pylon screw	1	—	A	
11A/4396	ARM.35291							HOUSING, release (Mod. 27)	1	—	B	
11A/4881	E.A9.97.583							LEVER, trip mechanism	1	—	C	
11A/4882	E.A9.97.584							LEVER, trip mechanism	1	—	C	
11A/4886	E.A9.97.1361							PIN, special, release unit mounting (Arm. Mod. 17)	1	—	C	
11A/4889	E.A9.97.1381							SLIP, attachment	1	—	C	
11A/3669	†							UNIT, release, No. 1, Mk. 1	1	—	A	
11A/4883	E.A9.97.565							PANEL, access, aft, fusing unit	1	—	B	A.3/8
11A/4884	E.A9.97.567							PANEL, access, forward, fusing unit and cocking test plug	1	—	B	A.3/8
	E.G.4.97.835							PLATE, guide (Arm. Mod. 62)	1	S.520	—	
	E.G.4.97.837							PLATE, guide (Arm. Mod. 62) Attaching parts for E.G.4.97.835 and E.G.4.97.837:—	1	S.520	—	
28M/10326	AGS.2002/A/1							Nut, 6 BA	3	—	C	
28S/1011484	A32/A20							Screw, 6 BA	3	—	C	
28W/9419446	SP.10/A							Washer	3	—	C	
11A/1991478	E.G.4.97.825							PLATE, SOLE, ASSEMBLY (ARM. MOD. 62) ... Spares for:—	1	—	B	
	E.G.4.97.789							BLOCK, guide Attaching parts for E.G.4.97.789:—	2	DTD.5543	—	
28M/9403518	A27/AP							Nut, 6 BA	4	—	C	
28S/1200051	A31/A28							Screw, 6 BA	4	—	C	
28W/9419446	SP.10/A							Washer	4	—	C	
	E.G.4.97.827							BRACKET, plocket mounting, aft, assembly Attaching parts for E.G.4.97.827:—	1	—	—	
28D/1007974	AS.1242/1/3C							Bolt, 2 BA	2	—	C	
	E.G.4.97.847							BRACKET, plocket mounting, forward, assembly Attaching parts for E.G.4.97.847:—	1	S.521	—	
28D/1204937	AS.1242/6C							Bolt, 2 BA	3	—	C	
28M/9418396	AGS.2001/C/1							Nut, 2 BA	2	—	C	
	E.G.4.97.831							BUSH, special	1	S.97	—	
	E.G.4.97.817							BUSH, threaded	8	S.97	—	
	E.G.4.97.833							BUSH	1	S.97	—	
	CT.538							BUSH, oilite, 5/8" long	1	—	—	
	E.G.4.97.769							CLIP, spring	1	S.513	—	
11A/1991479	E.G.4.97.751							FORK-END Attaching parts for E.G.4.97.751:—	1	S.130	C	
28W/9416643	E.G.4.97.859							Washer, laminated	1	—	—	
	SP.47/C							Washer	1	—	C	
	AS.4921/50							INSERT, wire thread	1	—	—	
	E.G.4.97.41							MOUNTING, MICRO-SWITCH, ASSEMBLY Spares for:—	1	—	—	
	E.G.4.97.43							BRACKET, assembly	1	L.72	—	
	E.G.4.97.45							LEVER, ASSEMBLY Spares for:—	1	—	—	
	BS.1131-0305							BUSH, oilite, 3/4" long Attaching parts for BS.1131-0305:—	1	—	—	
28N/1046382	SP.121/C							Collar	1	—	C	
28P/1013110	SP.4Y/B.18							Pin	1	—	C	
28P/19750	SP.90/B4							Pin, split	1	—	C	

**ARMAMENT
ARMAMENT INTERDICTOR ROLE**

Ref. No.	Part No.	Description	No. off	Matl. Spec.	Cl. of Equip.	Plate No.
					M.R. L.M.	
		1 2 3 4 5 6				
5CW/11939	E.G4.97.47	PIN , plunger	1	S.80	—	
	E.G4.97.757	RETAINER , spring	1	—	—	
	E.G4.97.758	RETAINER , spring	1	—	—	
	E.G4.97.753	SPRING	2	DTD.5A	—	
	EHY-1-MK.3	SWITCH-MICRO	1	—	B	
28D/9140639	A25/11B	Attaching parts for 1HY-1-Mk. 3:—				
28M/1086618	AGS.2002/B/1	Bolt, 4 BA	2	—	C	
28W/9419401	SP.10/B	Nut, 4 BA	2	—	C	
		Washer	2	—	C	
28D/1212806	AS.1248/6C	Attaching parts for E.G4.97.41:—				
		Bolt, 2 BA	2	—	C	
28FP/	AVDEL					
	3161-0405	PIN , "pip"	1	—	—	
	E.G4.97.763	PIN , plocket spring retaining	2	S.92	—	
	E.G4.97.823	PLATE , sole	1	L.65	—	
	E.G4.97.49	SPRING , plocket, retaining	1	DTD.215	—	
		Attaching parts for E.G4.97.825:—				
28W/9416644	E.G4.97.841	Bolt, special	8	S.95/96	—	A.3/8
	SP.47/E	Washer	8	—	C	
11A/4888	E.A9.97.617	SCREW , special emergency release cocking plunger	2	—	C	
11A/4890	E.A9.97.551	SPIGOT	2	S.96	C	
5D/102607	†	SPRING , plate	1	—	C	
5D/1823	†	UNIT , fusing, No. 3, Mk. 1 (Pre-Arm. Mod. 53)	2	—	A	
5D/2051	†	UNIT , fusing, No. 3, Mk. 2 (Arm. Mod. 53)	2	—	A	
		Attaching parts for E.A9.97.457:—				
12145	E.A9.97.623	Bolt, special, 3/8" BSF	16	S.96	C	A.3/8
12146	E.A9.97.627	Bolt, 1/4" BSF	4	S.96	C	A.3/8
11A/4218	E.A9.97.459	PYLON, BOMB AND ROCKET, STARBOARD, ASSEMBLY	1	—	A	A.3/8
		Spares for this assembly are identical with those for assembly Part No. E.A9.97.457 on page 15, except for the following deletion and addition:—				
		Delete:—				
	E.A9.81.6351	CABLE, ASSEMBLY, PL1	1	—	—	
		Add:—				
11A/	E.A9.81.6352	CABLE, ASSEMBLY, PL1, FROM JB.18 TO COCKING TEST, NOSE AND TAIL FUSING AND S.S.D., AND MICRO-SWITCH (MOD. 62)	1	—	—	
		Spares for this assembly are identical to assembly Part No. E.A9.81.6351 on page 15				
11A/4295	E.A9.97.1079	BEAM, FORWARD, SECONDARY BOMB, GROUP (ARM. MOD. 21)	1	—	A	
		Spares for:—				
	E.A9.97.1061	BEAM, BOMB, ASSEMBLY	—	—	—	
		Spares for:—				
11A/3825	E.A1.97.251	BUSH , eccentric, 3/8" bore	4	DTD.683	C	
11A/3701	E.A1.97.363	CRUTCH-BOLT , c/w pad (Pre-Arm. Mod. 30)	4	—	C	
11A/5465	E.A3.97.579	CRUTCH-BOLT , c/w pad (Arm. Mod. 30)	4	—	C	
11A/3838	E.A2.97.87	PEG , triple carrier locating	2	—	C	
11A/4894	E.A9.97.1063	PIN , beam, attachment	2	—	C	
11A/3796	E.A3.97.313	BOLT , special, bearing, bomb release unit	2	S.97	C	

ARMAMENT
ARMAMENT INTERDICTOR ROLE

Ref. No.	Part No.	Description	No. off	Matl. Spec.	Cl. of Equip.	Plate No.
					M.R. L.M.	
	E.A9.97.1089	CABLE, MANUAL RELEASE, ASSEMBLY ...	—	—	—	
		Spares for:—				
	E.A3.97.539	BRACKET, CABLE GUIDE PULLEY, ASSEMBLY	1	—	—	
		Spares for:—				
	E.A3.97.531	GUARD, pulley ...	1	L.72	—	
11A/4895	E.A3.97.535	PULLEY ...	1	LFS.26	C	
11A/4892	E.A3.97.541	BRACKET, operating cable mounting ...	1	L.72	C	
11A/4186	E.A3.97.445	CABLE, "Bowden", assembly ...	1	—	C	
11A/4893	E.A3.97.297	COVER, manual release, No. 1 slip ...	1	—	C	
28E/9153406	TERRY 169-1"	RING, split ...	1	—	C	
11A/4896	TERRY COM.2	SPRING, 1"75 long ...	1	—	C	
11A/4891	E.A9.97.1075	EYE-BOLT, special, at frame 17 ...	2	—	C	
11A/3837	E.A3.81.1821	PIN, connector block, retaining ...	2	DTD.683	C	
28FP/52	A.1018	PIN, "pip" quick release, 5/8" dia. ...	2	—	C	
11A/3797	E.A3.97.315	WASHER, special ...	1	DTD.683	C	
	E.A9.97.15	BOMBSIGHT, TYPE T.2, ASSEMBLY ...	—	—	—	
		Spares for:—				
28D/9133011	A25/2C	BOLT, 2 BA, mounting bracket, steady ...	1	—	C	
28D/1200119	A25/4C	BOLT, 2 BA, bracket mounting ...	4	—	C	
28D/9140644	A25/9C	BOLT, 2 BA, bracket mounting ...	4	—	C	
28D/1011301	A25/8J	BOLT, 3/8" BSF, bracket mounting ...	1	—	C	
28D/1011302	A25/10J	BOLT, 3/8" BSF, bracket mounting ...	1	—	C	
28D/1212752	A25/12J	BOLT, 3/8" BSF, bracket mounting ...	1	—	C	
	E.A9.97.1101	BRACKET, bombsight mounting ...	1	—	—	A.3/8
28M/1011473	A27/JP	NUT, 3/8" BSF, bracket bolt, mounting ...	3	—	C	
28M/1278190	AGS.2001/C/1	NUT, 2 BA ...	1	—	C	
28M/1278189	AGS.2001/B/1	NUT, 4 BA ...	8	—	C	
28S/1008327	A32/B14	SCREW, 4 BA ...	8	—	C	
28W/9416646	SP.47/J	WASHER ...	3	—	C	
28W/9416643	SP.47/C	WASHER ...	4	—	C	
12135	E.A9.11.87	DOOR, CUT-AWAY, BOMB-FLARE, PORT, GROUP	1	—	A	A.3/8
		Spares for:—				
235	E.A1.11.1231	BOLT, eye, connection for hinge support stay ...	2	L.40	C	A.2/8
15825	E.A1.11.1573	BOLT, special, door hinge at frames 15, 17 and 19	6	S.11	C/MR	
4151	E.A1.11.1601	BOLT, special, door hinge, attachment ...	2	S.11 or S.2	C	A.2/8
	E.A1.11.823	BRACKET, DOOR ROLLER GUIDE, GROUP ...	1	—	—	
		Spares for:—				
236	E.A1.11.1615	BOLT, special, c/w lubricating nipple ...	1	—	C	A.2/8
237	E.A1.11.837	ROLLER ...	1	L.40	C	A.2/8
	E.A1.11.1617	TUBE, 1/2" o/d. x 1"04 x 20 SWG ...	1	T.45	—	
	E.A1.11.825	BRACKET, DOOR ROLLER GUIDE, GROUP ...	1	—	—	
		Spares for:—				
236	E.A1.11.1615	BOLT, special, c/w lubricating nipple ...	1	—	C	A.2/8
237	E.A1.11.837	ROLLER ...	1	L.40	C	A.2/8
	E.A1.11.1617	TUBE, 1/2" o/d. x 1"04 x 20 SWG ...	1	T.45	—	
	E.A1.11.827	BRACKET, DOOR ROLLER GUIDE, GROUP ...	1	—	—	
		Spares for:—				
236	E.A1.11.1615	BOLT, special, c/w lubricating nipple ...	1	—	C	A.2/8
237	E.A1.11.837	ROLLER ...	1	L.40	C	A.2/8
	E.A1.11.1617	TUBE, 1/2" o/d. x 1"04 x 20 SWG ...	1	T.45	—	
	E.A1.11.829	BRACKET, DOOR ROLLER GUIDE, GROUP ...	1	—	—	
		Spares for:—				
236	E.A1.11.1615	BOLT, special, c/w lubricating nipple ...	1	—	C	A.2/8
237	E.A1.11.837	ROLLER ...	1	L.40	C	A.2/8
	E.A1.11.1617	TUBE, 1/2" o/d. x 1"04 x 20 SWG ...	1	T.45	—	
	E.A1.11.831	BRACKET, DOOR ROLLER GUIDE, GROUP ...	1	—	—	
		Spares for:—				
236	E.A1.11.1615	BOLT, special, c/w lubricating nipple ...	1	—	C	A.2/8
237	E.A1.11.837	ROLLER ...	1	L.40	C	A.2/8
	E.A1.11.1617	TUBE, 1/2" o/d. x 1"04 x 20 SWG ...	1	T.45	—	

Ref. No.	Part No.							No. off	Matl. Spec.	Cl. of Equip.	Plate No.
		1	2	3	4	5	6			M.R. L.M.	

**ARMAMENT
ARMAMENT INTERDICTOR ROLE**

Ref. No.	Part No.	Description	No. off	Matl. Spec.	Cl. of Equip.		Plate No.
					M.R.	L.M.	
	E.A1.11.833	BRACKET, DOOR ROLLER GUIDE, GROUP ...	1	—	—		
		Spares for:—					
236	E.A1.11.1615	BOLT , special, c/w lubricating nipple ...	1	—	C		A.2/8
237	E.A1.11.837	ROLLER ...	1	L.40	C		A.2/8
	E.A1.11.1617	TUBE , 1/2" o/d. x 1-1/4" x 20 SWG ...	1	T.45	—		
13022	E.A9.11.1365	BRACKET, ROLLER MOUNTING, DOOR CENTRE TRACK, GROUP	1	—	B		
		Spares for:—					
238	E.A1.11.851	PIN , locating, special, outboard roller ...	1	S.11	C		A.2/8
239	E.A1.11.853	PIN , special, main roller ...	1	S.11	C		A.2/8
240	E.A1.11.855	PIN , locating, special, inboard roller ...	1	S.11	C		A.2/8
241	E.A1.11.847	ROLLER , locating ...	1	BSS.369	C		A.2/8
242	E.A1.11.849	ROLLER , main ...	1	BSS.369	C		A.2/8
243	E.A1.11.1365	ROLLER , main ...	1	BSS.369	C		A.2/8
244	E.A1.11.857	WASHER , thrust, special, main roller ...	1	DTD.124	C		A.2/8
245	E.A1.11.1367	WASHER , special ...	1	S.1	C		A.2/8
15798	E.A1.11.1177	CONNECTION , main hinge stay ...	1	L.40	C/MR		
25413	E.A9.11.1437	CONNECTION , main hinge stay ...	1	S.3	C/MR		
25469	E.A9.11.1941	FLAP , roller, spring hinge clearance ...	1	—	C		A.2/8
	E.A1.11.933	HINGE, DOOR, MAIN BRACKET, REAR END, GROUP	1	—	—		
		Spares for:—					
248	E.A1.11.927	BEARING , journal ...	1	DTD.197	C		A.2/8
249	E.A1.11.929	BEARING , journal ...	1	DTD.197	C		A.2/8
20520	E.A1.11.1467	BRACKET ...	1	L.40	C		
13224	E.A1.11.935	HINGE, DOOR, MAIN BRACKET, FORWARD END, GROUP (Supplied to Drg. E.A3.00.1001 for spares purposes)	1	—	B		
249	E.A1.11.929	BEARING , journal ...	1	DTD.197	C		A.2/8
250	E.A1.11.931	BEARING , journal ...	1	DTD.197	C		A.2/8
20520	E.A1.11.1467	BRACKET ...	1	L.40	C		
25371	E.A9.11.1291	HINGE, BOMB DOOR, CENTRE, ASSEMBLY	1	—	C/MR		
		Spares for:—					
	E.A9.11.1947	ROLLER, ASSEMBLY ...	1	—	—		
		Spares for:—					
13039	E.A9.11.1943	BRACKET , L.H., attachment ...	1	S.95	C		
13040	E.A9.11.1944	BRACKET , R.H., attachment ...	1	S.95	C		
13094	E.A9.11.1923	COLLAR (Made from AGS.899/12) ...	1	—	C		
13095	E.A9.11.1921	PIN , special ...	1	S.94 or S.96	C		
13038	E.A9.11.1945	ROLLER ...	1	—	C		
	E.A1.11.1607	HINGE , flap roller clearance (Make from AS.1878, Ref. No. 28N/10786)	1	—	LM		
	E.A3.11.117	SEAL , 6 1/8" long (Make from Ref. 4431) ...	1	Synthetic Rubber	LM		
	E.A3.11.119	SEAL , 5 3/8" long (Make from Ref. 4431) ...	1	Synthetic Rubber	LM		
	E.A9.11.1439	SEAL (Make from Ref. 4431) ...	1	Synthetic Rubber	LM		

**ARMAMENT
ARMAMENT INTERDICTOR ROLE**

Ref. No.	Part No.	Description 1 2 3 4 5 6	No. off	Matl. Spec.	Cl. of Equip.	Plate No.
					M.R. L.M.	
	E.A9.11.1441	SEAL (Make from Novatex CP.50, Stores Ref. 2060)	1	—	LM	
252	E.A1.11.1311	SPRING , leaf, inboard clearance flap	1	Spring Steel	C	A.2/8
	E.A9.11.1363	SPRING , leaf, outboard clearance flap (Identical to Ref. 251)	1	Spring Steel	—	
253	E.A1.11.1205	STAY , main hinge support	1	—	C	A.2/8
254	E.A1.11.1207	STAY , main hinge support	1	—	C	A.2/8
15807	E.A1.11.1327	STUD , securing roller bracket	1	S.11	C/MR	
12136	E.A9.11.88	DOOR, CUT-AWAY, BOMB-FLARE, STARBOARD, GROUP Spares for this group are identical with those for group Part No. E.A9.11.87 on page 18, except for the following deletions and additions:— Delete:—	1	—	A	A.3/8
13022	E.A9.11.1365	BRACKET, ROLLER MOUNTING, DOOR, CENTRE TRACK, GROUP	1	—	B	A.2/8
25413	E.A9.11.1437	CONNECTION , main hinge stay	1	S.3	C/MR	
15798	E.A1.11.1177	CONNECTION , main hinge stay	1	L.40	C/MR	
	E.A1.11.933	HINGE, DOOR, MAIN BRACKET, REAR END, GROUP	1	—	—	
13224	E.A1.11.935	HINGE, DOOR, MAIN BRACKET, FORWARD END, GROUP	1	—	B	
25371	E.A9.11.1291	HINGE, BOMB DOOR, CENTRE, ASSEMBLY ... Add:—	1	—	C/MR	
13023	E.A9.11.1366	BRACKET, ROLLER MOUNTING, DOOR, CENTRE TRACK, GROUP Spares for this group are identical with those for group Part No. E.A9.11.1365 on page 19	1	—	B	
15799	E.A1.11.1178	CONNECTION , main hinge stay	1	L.40	C/MR	
15414	E.A9.11.1438	CONNECTION , main hinge stay	1	S.3	C/MR	
11500	E.A1.11.934	HINGE, DOOR, MAIN BRACKET, REAR END, GROUP Spares for this group are identical with those for group Part No. E.A1.11.933 on page 19, except for the following deletion and addition Delete:—	1	—	B/MR	
20520	E.A1.11.1467	BRACKET Add:—	1	L.40	C	
18212	E.A1.11.1468	BRACKET	1	L.40	C/MR	
13225	E.A1.11.936	HINGE, DOOR, MAIN BRACKET, FORWARD END, GROUP Spares for this group are identical with those for group Part No. E.A1.11.935 on page 19 (Supplied to Drg. E.A3.00.1002 for spares purposes)	1	—	B	

**ARMAMENT
ARMAMENT INTERDICTOR ROLE**

Ref. No.	Part No.	Description	No. off	Matl. Spec.	Cl. of Equip.		Plate No.
					M.R.	L.M.	
		1 2 3 4 5 6					
25372	E.A9.11.1292	HINGE, BOMB DOOR, CENTRE, ASSEMBLY ... Spares for this assembly are identical with those for assembly Part No. E.A9.11.1291 on page 19	1	—			B/MR
32169	E.A9.97.201	FLARE CARRIER FOR 4"5 FLARES, ASSEMBLY ... Consisting of:—	1	—			A
	E.A9.97.202	BEAM, 4"5 FLARE CARRIER, ASSEMBLY ... Spares for:—	1	—			A3/8
	E.A9.97.1105	BLOCK, distance	4	—			A3/8
	E.A9.97.1106	BLOCK, distance	4	—			
	EEAS.198/25B	BOLT, 4 BA, for block, distance	16	—			
	E.A9.97.205	FORK, fitting Attaching parts for E.A9.97.205:—	2	—			
28D/13046	A25/19E	Bolt, 1/4" BSF	2	—			C
28M/1011475	A27/EP	Nut, 1/4" BSF	2	—			C
28W/9418921	SP.13/E	Washer	2	—			C
		Attaching parts for E.A9.97.202:—					
28FP/51	A.1015	Pin, "pip"	2	—			C
12642	E.A9.97.199	Pin, special	2	S.94			C
28P/19157	SP.90/G10	Pin, split	2	—			C
12643	E.A9.97.1050	BEAM, FUSING UNIT MOUNTING, ASSEMBLY (Supplied less fusing units) Spares for:—	2	—			B
5D/1476	†	UNIT, fusing, No. 1, Mk. 1 Attaching parts for Ref. 5D/1476:—	8	—			C
28D/9133011	A25/2C	Bolt, 2 BA	3	—			C
28M/10288	AGS.2001/C/1	Nut, 2 BA	3	—			C
28W/9419475	SP.15/C	Washer	3	—			C
		Attaching parts for E.A9.97.1050:—					
28D/1215680	A59/24C	Bolt, 2 BA	4	—			C
28M/10288	AGS.2001/C/1	Nut, 2 BA	4	—			C
	AS.2806/4/22	Tube, distance	4	T 35orT.45			LM
28W/9419402	SP.13/C	Washer	4	—			C
11A/3825	E.A1.97.251	BUSH, eccentric, flare carrier attachment to eye-bolt Attaching parts for E.A1.97.251 (Per Pair):—	4	—			C
28D/9419397	A25/12C	Bolt, 2 BA	3	—			C
28M/9403520	A27/CP	Nut, 2 BA	3	—			C
	E.A1.97.369	Platekeeper	2	—			C
28W/9419475	SP.15/C	Washer	3	—			C
11A/3828	E.A3.97.463	EYEBOLT, flare carrier mounting at frame 17 ...	2	—			C
12639	E.A9.97.203	SUPPORT, 4"5 FLARE CARRIER STRUCTURE, ASSEMBLY Spares for:—	2	—			A
	E.A9.97.203Q	BRACKET, plug	4	L.72			—
	E.A9.97.203T	BRACKET, plug	4	L.72			—
12637	E.A9.97.1039	BRACKET, side support, L.H.	8	—			B
12638	E.A9.97.1040	BRACKET, side support, R.H.	8	—			B

**ARMAMENT
ARMAMENT INTERDICTOR ROLE**

Ref. No.	Part No.	Description	off	Matl. Spec.	Cl. of Equip.	Plate No.
					M.R. L.M.	
	E.A9.97.204	FITTING, SUPPORT ATTACHMENT	4	—	—	
		Spares for:—				
	SILENTBLOC E.2173	BEARING	1	—	—	
		Attaching parts for E.A9.97.203:—				
26690	E.A9.97.1130	Bolt, special	4	—	C	
28M/13590	A27/SS	Nut, 3/4" BSF	4	—	C	
28W/9419482	SP.15/S	Washer	4	—	C	
	E.A9.97.220	WIRING, ELECTRICAL, FLARE CARRIER	—	—	—	
		Spares for:—				
13239	E.A9.97.1709	BOLT , special, for relay box (Mod. 2331)	4	S.94	C	
26691	E.A9.97.1479	BOX, JUNCTION "A", FOR FLARE CARRIER GROUP (MOD. 2331)	1	—	A	
		Spares for:—				
12640	E.A9.97.212	LID , 18 SWG	1	L.72	B	
5D/1981	E.A9.97.1477	RESISTANCE , card	2	—	C	
14738	E.A9.97.1717	BOX, RELAY "BB", FOR 16 FLARE CARRIER, GROUP (MOD. 2331)	1	—	A	
		Spares for:—				
5X/3181	CZ.23212/1	BLOCK , terminal, 20-way	5	—	C	
		Attaching parts for CZ.23212/1:—				
28D/1214880	AS.1246/18B	Bolt, 4 BA	2	—	C	
28W/9419465	SP.13/B	Washer	2	—	C	
	E.A9.97.1719	BOX , sub assembly	1	—	—	
5E/4182	†	CABLE , Uninyvin 22	QR	—	C	
13238	E.A9.97.1721	COVER	1	—	C	
5K/3403	AS.3360.C.6.C.	LEAD , bonding	2	—	C	
5X/6173	Z.50212	LINK , 4-way	6	—	C	
5X/1004085	Z.50213	LINK , 5-way	2	—	C	
10AJ/157	†	MOUNTING , anti-vibration, Type 966	4	—	B	
		Attaching parts for Ref. 10AJ/157:—				
28D/9436920	A25/1C	Bolt, 2 BA	4	—	C	
28M/10288	AGS.2001/C/1	Nut, 2 BA	4	—	C	
28W/9419475	SP.15/C	Washer	4	—	C	
10H/0560202	†	PLUG , 25-way	1	—	C	
5D/1937	†	RELAY , type B, Mk. 2 (Pre-Mod. 3800)	16	—	C	
5D/2242	†	RELAY , type B, Mk. 3 (Mod. 3800)	16	—	C	
		Attaching parts for Ref. 5D/1937 or 5D/2242:—				
28M/10327	AGS.2002/B/1	Nut, 2 BA	2	—	C	
28W/9419465	SP.13/B	Washer	2	—	C	
5K/9107066	EEAS.146/12	SLEEVE	QR	—	C	
5K/9107065	EEAS.146/16	SLEEVE	QR	—	C	
10H/0560380	†	SOCKET , 25-way	1	—	C	
10H/0560381	†	SOCKET , 25-way	1	—	C	
5F/9434858	HV.3254	STRAP	QR	—	C	
5F/9138823	NT.3255	STUD	60	—	C	
5X/9450396	HC.490	TAG	208	—	C	
10A/17930	†	WASHER , check	4	—	C	

**ARMAMENT
ARMAMENT INTERDICTOR ROLE**

Ref. No.	Part No.	1	2	3	4	5	6	Description	No. off	Matl. Spec.	Cl. of Equip.		Plate No.
											M.R.	L.M.	
	E.A9.97.1271							CABLE, ASSEMBLY, JUNCTION BOX "A" ENTRY TO PLUG POINT "AJ" ON CARRIER, GROUP (MOD. 1963) Consisting of:—	1	—	—		
5E/9100032	†							CABLE , miniature, 12C	QR	—	—	C	
10H/0970059	Z.60668							GASKET , outlet	2	—	—	C	
10H/0970111	Z.66237							GASKET , union	2	—	—	C	
10H/0970065	CZ.49182							OUTLET , straight	2	—	—	C	
10H/0560362	CZ.49458/2							PLUG , 12-pin, Mk. 4	1	—	—	B	
10H/0970105	Z.49147							RING , compression	2	—	—	C	
10H/0970099	Z.54092							RING , thrust	2	—	—	C	
10H/0970115	Z.62241							SLEEVE , cable	2	—	—	C	
5K/9107068	EEAS.146/D1							SLEEVE , 1" long	5	—	—	C	
5K/9107065	†							SLEEVE , insulating, No. 1	24	—	—	C	
10H/18500	CZ.56745							SOCKET , 12-pin panel coupler	1	—	—	B	
	E.A9.97.1273							CABLE, ASSEMBLY, JUNCTION BOX "A" ENTRY 2, TO PLUG POINT "AK" ON CARRIER, GROUP (MOD. 1963) Spares for this group are identical with those for group Part. No. E.A9.97.1271, except for the following deletion and addition Delete:—	1	—	—		
10H/0560362	CZ.49458/2							PLUG , 12-pin, Mk. 4	1	—	—	B	
								Add:—					
10H/0560364	CZ.49458/4							PLUG , 12-pin, Mk. 4	1	—	—	B	
	E.A9.97.1275							CABLE, ASSEMBLY, JUNCTION BOX "A" ENTRY 3, TO PLUG POINT "AL" ON CARRIER, GROUP (MOD. 1963) Spares for this group are identical with those for group Part. No. E.A9.97.1271, except for the following deletion and addition: Delete:—	1	—	—		
10H/0560362	CZ.49458/2							PLUG , 12-pin, Mk. 4	1	—	—	B	
								Add:—					
10H/0560363	CZ.49458/3							PLUG , 12-pin, Mk. 4	1	—	—	B	
	E.A9.97.1277							CABLE, ASSEMBLY, JUNCTION BOX "A" ENTRY 4, TO PLUG POINT "AM" ON CARRIER, GROUP (MOD. 1963) Spares for this group are identical with those for group Part. No. E.A9.97.1271, except for the following deletion and addition Delete:—	1	—	—		
10H/0560362	CZ.49458/2							PLUG , 12-pin, Mk. 4	1	—	—	B	
								Add:—					
10H/0560365	CZ.49458/5							PLUG , 12-pin, Mk. 4	1	—	—	B	
	E.A9.97.1279							CABLE, ASSEMBLY, JUNCTION BOX "A" ENTRY 5, TO PLUG POINT "AN" ON CARRIER, GROUP (MOD. 1963) Spares for this group are identical with those for group Part. No. E.A9.97.1271					

**ARMAMENT
ARMAMENT INTERDICTOR ROLE**

Ref. No.	Part No.	Description						off	Matl. Spec.	Cl. of Equip. M.R. L.M.	Plate No.
		1	2	3	4	5	6				
	E.A9.97.1281	CABLE, ASSEMBLY, JUNCTION BOX "A" ENTRY 6, TO PLUG POINT "AO" ON CARRIER, GROUP (MOD. 1963) Spares for this group are identical with those for group Part No. E.A9.97.1271 on page 23, except for the following deletion and addition Delete:—						1	—	—	
10H/0560362	CZ.49458/2	PLUG, 12-pin, Mk. 4 Add:—						1	—	B	
10H/0560360	CZ.49458 E.A9.97.1283	PLUG, 12-pin, Mk. 4 CABLE, ASSEMBLY, JUNCTION BOX "A" ENTRY 7, TO PLUG POINT "AD" ON CARRIER, GROUP (MOD. 1963) Spares for this group are identical with those for group Part No. E.A9.97.1277 on page 23						1 1	— —	C —	
	E.A9.97.1285	CABLE, ASSEMBLY, JUNCTION BOX "A" ENTRY 8, TO PLUG POINT "AQ" ON CARRIER, GROUP (MOD. 1963) Spares for this group are identical with those for group Part No. E.A9.97.1271 on page 23, except for the following deletion and addition Delete:—						1	—	—	
10H/0560362	CZ.49458/2	PLUG, 12-pin, Mk. 4 Add:—						1	—	B	
10H/0560361	CZ.49458/1 E.A9.97.1287	PLUG, 12-pin, Mk. 4 CABLE, ASSEMBLY, JUNCTION BOX "A" ENTRY 9, TO PLUG POINT "AR" ON CARRIER, GROUP (MOD. 1963) Spares for this group are identical with those for group Part No. E.A9.97.1281						1 1	— —	B —	
	E.A9.97.1289	CABLE, ASSEMBLY, JUNCTION BOX "A" ENTRY 10, TO PLUG POINT "AS" ON CARRIER, GROUP (MOD. 1963) Spares for this group are identical with those for group Part No. E.A9.97.1275 on page 23						1	—	—	
	E.A9.97.1291	CABLE, ASSEMBLY, JUNCTION BOX "A" ENTRY 11, TO PLUG POINT "AT" ON CARRIER, GROUP (MOD. 1963) Spares for this group are identical with those for group Part No. E.A9.97.1285						1	—	—	
	E.A9.97.1293	CABLE, ASSEMBLY, JUNCTION BOX "A" ENTRY 12, TO PLUG POINT "AU" ON CARRIER, GROUP (MOD. 1963) Spares for this group are identical with those for group Part No. E.A9.97.1271 on page 23						1	—	—	

**ARMAMENT
ARMAMENT INTERDICTOR ROLE**

Ref. No.	Part No.	Description	off	Matl. Spec.	Cl. of Equip.	Plate No.
					M.R. L.M.	
	E.A9.97.348	CABLE, ASSEMBLY, JUNCTION BOX "A" ENTRY 20, TO PLUG POINT "AZ" GROUP	1	—	—	
		Consisting of:—				
5E/9100008	†	CABLE, miniature, 2R	QR	—	C	
5X/2193	†	FERRULE, cut	1	—	C	
10H/0970058	Z.60667	GASKET, outlet	1	—	C	
10H/0970107	Z.62234	GASKET, union	1	—	C	
10H/0970061	CZ.49178	OUTLET, straight	1	—	C	
5X/6181	†	PLUG, 5-pin	1	—	C	
10H/0970101	Z.49053	RING, compression	1	—	C	
10H/0970095	Z.49051	RING, thrust	1	—	C	
10H/0970114	Z.62240	SLEEVE, cable	1	—	C	
5K/9107068	EEAS.146/D	SLEEVE, identification	5	—	C	
5K/9107066	†	SLEEVE, insulating, No. 2	4	—	C	
10H/0560090	CZ.49014	SOCKET, 2-pin, Mk. 4	1	—	B	
	E.A9.97.1711	CABLE, ASSEMBLY, RELAY BOX "BB" ENTRY 22, TO A/C SUPPLY, GROUP (MOD. 2331)	1	—	—	
		Consisting of:—				
10H/0970074	CZ.49187	ANGLE, outlet	2	—	C	
5E/9100038	†	CABLE, miniature, 18C	QR	—	C	
10H/0970296	†	CLAMP, cable	2	—	C	
10H/0970060	Z.60669	GASKET, outlet	2	—	C	
10H/0970110	Z.62239	GASKET, union	2	—	C	
10H/0970067	CZ.49186	OUTLET, straight	2	—	C	
10H/0560400	CZ.49228	PLUG, 25-pin, Mk. 4	1	—	C	
10H/0970104	Z.49086	RING, compression	2	—	C	
10H/0970098	Z.49084	RING, thrust	2	—	C	
5K/9107065	EEAS.146/A	SLEEVE	36	—	C	
10H/0970116	Z.62243	SLEEVE, cable	2	—	C	
5K/9107069	EEAS.146/G	SLEEVE, identification	5	—	C	
10H/0560222	CZ.49070/2	SOCKET, 25-pin, Mk. 4	1	—	C	
	E.A9.97.1713	CABLE, ASSEMBLY, JUNCTION BOX "A" ENTRY 19, TO RELAY BOX "BB" ENTRY 23, GROUP (MOD. 2331)	1	—	—	
		Spares for this group are identical with those for group Part No. E.A9.97.1711, except for the following deletions and additions				
		Delete:—				
10H/0970067	CZ.49186	OUTLET, straight	2	—	C	
10H/0560400	CZ.49228	PLUG, 25-pin, Mk. 4	1	—	C	
10H/0560222	CZ.49070/2	SOCKET, 25-pin, Mk. 4	1	—	C	
		Add:—				
10H/0560401	†	PLUG, 25-pin, Mk. 4	1	—	C	
10H/0560220	†	SOCKET, 25-pin, Mk. 4	1	—	C	

**ARMAMENT
ARMAMENT INTERDICTOR ROLE**

Ref. No.	Part No.	1	2	3	4	5	6	Description	No. off	Matl. Spec.	Cl. of Equip.	Plate No.
											M.R. L.M.	
	E.A9.97.1715							CABLE, ASSEMBLY, JUNCTION BOX "A" ENTRY 21, TO RELAY BOX "BB" ENTRY 24, GROUP (MOD. 2331) Spares for this group are identical with those for group Part No. E.A9.97.1711 on page 26, except for the following deletions and addition Delete:—	1	—	—	
10H/0970067	CZ.49186							OUTLET , straight	2	—	C	
10H/0560222	CZ.49070/2							SOCKET , 25-pin, Mk. 4 Add:—	1	—	C	
10H/0560221	†							SOCKET , 25-pin, Mk. 4	1	—	C	
12641	E.A9.97.224							CLIP	10	—	C	
13240	E.A9.97.1707							WASHER , saddle, for relay box (Mod. 2331) ...	8	L.64	C	
	E.A9.97.51							GUN PACK AND SUPERSTRUCTURE, ASSEMBLY Spares for:—	—	—	—	
12644	E.A9.97.696							BOLT , gun pack stay to airframe attachment ...	1	S.97	C	
12788	E.A9.97.310							DIAPHRAGM, FORWARD GUN PACK MOUNTING, GROUP Spares for:—	1	—	A	
12645	E.A9.97.429							ADJUSTER, DIAPHRAGM ATTACHMENT TO GUN PACK, GROUP Consisting of:—	2	—	B	
	E.A9.97.307							ADJUSTER	1	S.95	—	
12646	E.A9.97.309							EYE-BOLT, ASSEMBLY Spares for:—	1	—	B	
28N/13513	HOFFMANN CJ.5							JOINT , aligning	1	—	C	
12647	E.A9.97.430							NUT , special	1	—	B	
12648	E.A9.97.438							BOLT , special, eye-bolt attachment to gun pack diaphragm	2	S.94	C	
12917	E.A9.97.1231							EYE-BOLT, GUN PACK ATTACHMENT AT FRAME 21, GROUP (MOD. 1765) Consisting of:—	2	—	B	
12650	E.A9.97.435							EYE-BOLT, INNER, GROUP Spares for:—	1	—	B	
28N/15373	HOFFMANN CJ.7							JOINT , aligning	1	—	C	
24818	E.A9.97.1108							NUT , lock	1	—	—	
12651	E.A9.97.437							NUT , special	1	S.94	C	
24817	E.A9.97.1107							SCREW , special, adjusting	1	S.93	—	
12652	E.A9.97.936							NUT , lock, diaphragm attachment to gun pack	2	S.95	C	
12789	E.A9.97.318							DIAPHRAGM, REAR, GUN PACK MOUNTING, GROUP Spares for:—	1	—	A	
12645	E.A9.97.429							ADJUSTER, DIAPHRAGM ATTACHMENT TO GUN PACK, GROUP Consisting of:—	2	—	B	
	E.A9.97.307							ADJUSTER	1	S.95	—	
12646	E.A9.97.309							EYE-BOLT, ASSEMBLY Spares for:—	1	—	B	
28N/13513	HOFFMANN CJ.5							JOINT	1	—	C	

**ARMAMENT
ARMAMENT INTERDICTOR ROLE**

Ref. No.	Part No.							off	Matl. Spec.	Cl. of Equip.		Plate No.
		1	2	3	4	5	6			M.R.	L.M.	
12647	E.A9.97.430							1	—		B	
12653	E.A9.97.665							2	S.97		C	
12654	E.A9.97.666							2	S.97		C	
12655	E.A9.97.320							2	S.95		C	
12652	E.A9.97.936							2	S.95		C	
12656	E.A9.97.663							2	S.94 or T.45		C	
12657	E.A9.97.664							2	S.94 or T.45		C	
12790	E.A9.97.864							1	—		A	
12658	E.A9.97.687							8	S.1		C	
12659	E.A9.97.1193							2	—		B	
12660	E.A9.97.1194							2	—		B	
12661	E.A9.97.277							2	—		B	
12662	E.A9.97.135							2	—		C	
12663	E.A9.97.136							2	—		C	
12664	E.A9.97.137							2	—		C	
12665	E.A9.97.138							2	—		C	
12666	E.A9.97.1120							4	—		B	
12667	E.A9.97.1205							2	—		B	
12668	E.A9.97.1206							2	—		B	
12669	E.A9.97.123							1	—		B	
	AS.2809/6/135							2	—		LM	
	AS.2809/6/300							1	—		LM	
	AS.2809/5/740							1	—		LM	
12670	E.A9.97.1219							1	S.94		C	
12671	E.A9.97.118							1	TUFNOL		C	
12672	E.A9.97.119							1	TUFNOL		C	
12673	E.A9.97.124							1	—		B	
12674	E.A9.97.131							1	—		B	
12675	E.A9.97.132							1	—		B	
	E.A9.97.361							—	—		—	
	E.A9.97.82							1	DTD.684			
12678	E.A9.97.1131							1	—		B	
12679	E.A9.97.1132							1	—		B	

**ARMAMENT
ARMAMENT INTERDICTOR ROLE**

Ref. No.	Part No.	Description						No. off	Matl. Spec.	Cl. of Equip.		Plate No.
		1	2	3	4	5	6			M.R.	L.M.	
12680	E.A9.97.1133							1	—		B	
13069	E.A9.97.1255							1	—		B	
34531	E.A9.97.1009							1	—		C	
12676	E.A9.97.77							4	—		B	
28N/9486785	AS.1880											
	E.A9.97.401							1	—		C	
	E.A9.97.297							1	—		—	
	E.A9.97.1237							1	—		—	
13065	E.A9.97.1243							1	—		C	
13066	E.A9.97.1244							1	—		C	
13067	TERRY EX.3417							2	—		C	
12682	E.A9.97.1217							1	—		B	
12681	E.A9.97.767							1	S.1		C	
	E.A9.97.86							1	LFB82		—	
12683	E.A9.97.89							1	S.94		C	
12684	E.A9.97.1054							1	S.1		C	
12689	E.A9.97.1033							1	S.94		C	
12691	E.A9.97.1034							1	DTD.187		C	
13029	E.A9.97.1218							1	—		B	
24762	E.A9.97.104							8	L.65		C/MR	
24784	E.A9.97.418							4	S.94		C	
12685	E.A9.97.105							4	L.64		C	
12686	E.A9.97.106							4	L.64		C	
12687	E.A9.97.298							2	—		C	
12688	E.A9.97.299							2	—		C	
24763	E.A9.97.107							2	S.94		C/MR	
24785	E.A9.97.423							2	S.94		C/MR	
12690	E.A9.97.115							4	DTD.187		C	
12692	E.A9.97.71							1	S.1		C	
12693	E.A9.97.72							1	S.1		C	
12694	E.A9.97.669							1	S.1		C	
12695	E.A9.97.670							1	S.1		C	
	E.A9.97.770							1	—		—	
	E.A9.97.775							2	L.72		—	
	E.A9.97.782							1	—		—	
	E.A9.97.1237							1	—		—	
13065	E.A9.97.1243							1	—		C	
13066	E.A9.97.1244							1	—		C	
13067	TERRY EX.3417							2	—		C	

ARMAMENT
ARMAMENT INTERDICTOR ROLE

Ref. No.	Part No.	Description						No. off	Matl. Spec.	Cl. of Equip.		Plate No.
		1	2	3	4	5	6			M.R.	L.M.	
12705	E.A9.97.74							2	—		B	
12703	E.A9.97.68							7	—		B	
12706	E.A9.97.1028							1	—		B	
	E.A9.97.1224							1	—		—	
12707	E.A9.97.859							1	—		B	
12708	E.A9.97.860							1	—		B	
12709	E.A9.97.857							1	—		B	
	EEAS.141							QR	—		—	
12710	E.A9.97.858							1	—		B	
	EEAS.141							QR	—		—	
12677	E.A9.97.1167							2	L.72		B	
12711	E.A9.97.1016							1	—		C	
12712	E.A9.97.1017							1	—		C	
	E.A9.97.241							1	—		—	
12715	E.A9.97.761							4	S.92 or S.94		C	
12716	E.A9.97.1031							16	S.93		C	
12717	E.A9.97.268							1	—		B	
12718	E.A9.97.269							1	—		B	
12719	E.A9.97.270							1	—		B	
12720	E.A9.97.271							1	—		B	
12721	E.A9.97.272							1	—		B	
12722	E.A9.97.265							1	S.93		B	
12723	E.A9.97.266							1	S.93		B	
12724	E.A9.97.267							4	S.96		B	
12725	E.A9.97.899							1	S.93		B	
12726	E.A9.97.900							1	S.93		B	
12727	E.A9.97.66							4	S.14		B	
12728	E.A9.97.1013							8	S.93		C	
12729	E.A9.97.953							QR	Shim Steel		C	
12730	E.A9.97.954							QR	Shim Steel		C	
12731	E.A9.97.955							QR	Shim Steel		C	
12732	E.A9.97.957							QR	Shim Steel		C	
12733	E.A9.97.958							QR	Shim Steel		C	
12734	E.A9.97.959							QR	Shim Steel		C	
12735	E.A9.97.960							QR	Shim Steel		C	

**ARMAMENT
ARMAMENT INTERDICTOR ROLE**

Ref. No.	Part No.	1	2	3	4	5	6	Description	off	Matl. Spec.	Cl. of Equip.	Plate No.
											M.R.	
12736	E.A9.97.961							PLATE, top shim, 0"010 thick, pivot fitting, outer gun	QR	Shim Steel	C	
12737	E.A9.97.962							PLATE, top shim, 0"020 thick, pivot fitting, outer gun	QR	Shim Steel	C	
12738	E.A9.97.963							PLATE, side shim, 0"005 thick, pivot fitting, outer gun	QR	Shim Steel	C	
12739	E.A9.97.964							PLATE, side shim, 0"010 thick, pivot fitting, outer gun	QR	Shim Steel	C	
12740	E.A9.97.965							PLATE, side shim, 0"020 thick, pivot fitting, outer gun	QR	Shim Steel	C	
	E.A9.97.60							UNIT, HARMONIZING, ASSEMBLY (PRE-MOD. 1948)	4	—	—	
	E.A9.97.64							Consisting of:—				
	7G/905	†						BRACKET, harmonizing	1	S.93	—	
	12727	E.A9.97.66						CROSS-PIECE	1	—	C	
	7G/906	†						NUT, ring	1	S.14	C	
	7G/912	†						NUT	2	—	C	
	7G/910	†						NUT, ring	1	—	C	
	7G/1513	P3/14011/308						SCREW, lateral harmonizing	2	—	C	
								SCREW, vertical harmonizing	1	—	C	
12741	E.A9.97.762							WASHER, special, gun mounting fitting, attachment bolt	4	S.2 or S.94	C	
24819	E.A9.97.1145							SEAL, BLAST, L.H., GROUP	2	—	B	
								Consisting of:—				
28D/1214031	AS.1242/8C							BOLT, 2 BA	4	—	C	
12804	E.A9.97.1147							HOUSING, BLAST TUBE, GROUP	1	—	B	
								Spares for:—				
12805	E.A9.97.1151							PLATE, serrated, locking	2	S.14	C	
	E.A9.97.1153							HOUSING, bearing, aft	1	S.93	—	
12806	E.A9.97.1161							HOUSING, BUSH, GROUP	1	—	B	
								Spares for:—				
12807	E.A9.97.1215							BUSH	1	Forobestos LA.4	C	
12808	E.A9.97.799							CAP, assembly	1	—	C	
12809	E.A9.97.1159							HOUSING, bush	1	S.93	C	
12810	E.A9.97.1183							SPRING, 16 SWG	1	STA.4	C	
12811	E.A9.97.809							WASHER, spring, 26 SWG	1	DTD.187	C	
12812	E.A9.97.1128							WASHER, sealing	1	Shim Steel	C	
28M/10288	AGS.2001/C/1							NUT, 2 BA	4	—	C	
28M/10290	AGS.2001/E/1							NUT, 1/4" BSF	2	—	C	
12813	E.A9.97.1155							PLATE, stud, assembly	1	—	C	
12814	E.A9.97.1160							PLATE, locking, movable	1	S.14	C	
13246	E.A9.97.1233							PLATE, shim, 24 SWG	2	S.3	C	
28W/9419402	SP.13/C							WASHER, 2 BA	4	—	C	
28W/9418921	SP.13/E							WASHER, 1/4" BSF	2	—	C	
24820	E.A9.97.1146							SEAL, BLAST, R.H., GROUP	2	—	B	
								Consisting of:—				
28D/1214031	AS.1242/8C							BOLT, 2 BA	4	—	C	
12815	E.A9.97.1148							HOUSING, BLAST TUBE, GROUP	1	—	B	
								Spares for:—				
17816	E.A9.97.1152							PLATE, serrated, locking	2	S.14	C	

**ARMAMENT
ARMAMENT INTERDICTOR ROLE**

Ref. No.	Part No.	1	2	3	4	5	6	Description	off	Matl. Spec.	Cl. of Equip.	Plate No.
											M.R.	
13157	E.A9.97.1473							VALVE, SCHRADER, ASSEMBLY	1	—	B	
								Consisting of:—				
13068	E.A9.97.1253							ADAPTOR , charging valve	1	L.64	C	
	—							HERMATITE	QR	—	—	
	SCHRADER											
13072	No. 645							VALVE , charging	1	—	A	
	E.A9.97.1383							VALVE, BUTTERFLY, ASSEMBLY	—	—	—	
								Spares for:—				
2A/9500410	RANSOME & MARLES. CK $\frac{1}{4}$ A							BEARING	1	—	B	
13073	E.A9.97.1389							BODY , valve	1	L.65	C	
	E.A9.97.1303							BRACKET	1	L.72	—	
13074	E.A9.97.1385							GUIDE	1	L.64	C	
13075	E.A9.97.1391							LINK	1	S.94	C	
13076	E.A9.97.1397							SCREW , special, shouldered	1	S.94	C	
13077	E.A9.97.1395							SPINDLE , valve	1	S.94	C	
13078	E.A9.97.1387							SPRING	1	STA.4	C	
13079	P.105.45.227							SWITCH	1	—	A	
13080	E.A9.97.1393							VALVE	1	L.65	C	
	E.A9.97.842							PIPE , special, longitudinal, air supply to electric pneumatic valve	1	—	—	
	E.A9.97.843							PIPE , special, heating	1	—	—	
	E.A9.97.813							SCAVENGE SYSTEM IN NOSE OF GUN PACK	—	—	—	
								Spares for:—				
	E.A9.97.804							BRACKET , jack attachment	1	—	—	
								Attaching parts for E.A9.97.804:—				
28D/7002428	A25/6C							Bolt, 2 BA	2	—	C	
28D/1013172	AS.1242/5C							Bolt, 2 BA	2	—	C	
28M/10288	AGS.2001/C/1							Nut, 2 BA	4	—	C	
28W/9419402	SP.13/C							Washer	4	—	C	
	E.A9.97.1007							BRACKET , pneumatic valve	1	—	—	
	E.A9.97.1008							BRACKET , pneumatic valve	1	—	—	
								Attaching parts for E.A9.97.1007 and E.A9.97.1008				
28D/1200119	A25/4C							Bolt, 2 BA (As required)	2	—	C	
28D/9133013	A25/5C							Bolt, 2 BA (As required)	2	—	C	
28M/10288	AGS.2001/C/1							Nut, 2 BA	2	—	C	
28W/9419402	SP.13/C							Washer	2	—	C	
13051	E.A9.97.1441							JACK, SCAVENGE PIPE, BUTTERFLY VALVE, OPERATING, GROUP (MOD. 1961)	1	—	A	
								Spares for:—				
	E.A9.97.869							FILTER , gauze, 40 mesh	1	Cadmium Coated	—	
12756	E.A9.97.868							PAD , felt, jack body end plate	1	DTD.590	B	
12757	E.A9.97.684							PISTON	1	S.92 or S.6	C	
	E.A9.97.867							PLATE , jack body end	1	L.72	—	
25832	E.A9.97.1443							ROD , piston	1	S.80	C	
12758	E.A9.97.693							SCREW , special, leak rate adjustment	1	S.1	C	
12759	E.A9.97.675							SPRING , compression	1	STA.3	C	
12760	E.A9.97.707							WASHER , special, piston rod connecting bolt	2	L.17	C	

ARMAMENT
ARMAMENT INTERDICTOR ROLE

Ref. No.	Part No.	Description						No. off	Matl. Spec.	Cl. of Equip.	Plate No.
		1	2	3	4	5	6			M.R. L.M.	
		Attaching parts for E.A9.97.1441:—									
39885	E.A9.97.1030	Pin, special						1	—	C/MR	
28P/9710567	SP.90/C4	Pin, split						1	—	C	
28W/9418921	SP.13/E	Washer						1	—	C	
12755	E.A9.97.798	LEVER , butterfly valve connecting (Pre-Mod. 3188)						1	S.3	B	
34311	E.A9.97.1749	LEVER , butterfly valve connecting (Mod. 3188)						1	S.21	C	
		Attaching parts for E.A9.97.798 or E.A9.97.1749									
28P/9710567	SP.90/C4	Pin, split						1	—	C	
28P/9706727	SP.4/Z/D7	Pin, shackle						1	—	C	
28P/1008610	SP.28/H6	Pin, taper						1	—	C	
28W/9418921	SP.13/E	Washer						1	—	C	
	E.A9.97.803	PIPE , assembly, between butterfly valve stub pipe						1	—	—	
	E.A9.97.805	PIPE , stub						2	—	—	
12761	E.A9.97.813A	PIPE , from butterfly valve operating jack to electro pneumatic valve, 1/4" o/d x 22 SWG						1	L.56 or L.72	LM	
	E.A9.97.813B	PIPE , from electro pneumatic valve to air supply connection, 1/4" o/d x 22 SWG						1	L.56 or L.72	LM	
37667	E.A9.97.1757	VALVE, BUTTERFLY, ASSEMBLY (MOD. 3188)						1	—	B	
	E.A9.97.1755	Spares for:— HOUSING, VALVE						1	S.21	—	
	MANGANES BRONZE CO.										
39943	F.C.T. 27	BEARING , oilite, 3/8" long						1	—	C/MR	
40080	F.C.T. 28	BEARING , oilite, 3/8" long						1	—	C/MR	
	BOULTON PAUL										
12762	MS.51-1	VALVE , electro pneumatic						1	—	B	
5259	EEAS.21/2ERH	WASHER , special						38	L.72	C	
7G/1534	†	MOUNTING , gun (Mod. 2181)						4	—	A	
12795	E.A9.97.76	NUT , special						4	S.1	C	
12763	E.A9.97.257	PANEL, HARMONIZATION ACCESS, GROUP Spares for:—						1	—	B	
	KING A/C CO. LTD.										
12791	C.5331	FASTENER						21	—	C	
12764	E.A9.97.293	PANEL, ACCESS, ARMAMENT, PORT, GROUP Spares for:—						1	—	A	
12765	E.A9.97.290	LINK , locking peg, operating						1	S.3	C	
12766	E.A9.97.291	LINK , locking peg, operating						1	S.3	C	
12767	E.A9.97.292	LINK , locking peg, operating						1	S.3	C	
	MIDLAND AEROQ'T LTD.										
12768	AS.2858	LOCK , door						1	—	B	
12769	E.A9.97.293X	PANEL , detachable, 18 SWG						1	L.72	C	
12770	E.A9.97.284	PEG , locking						2	S.93	C	
12771	E.A9.97.285	PEG , locking						1	S.93	C	
	E.A9.97.293W	SEAL , rubber (Make from EEAS.141/1)						QR	NOVATEX	LM	

**ARMAMENT
ARMAMENT INTERDICTOR ROLE**

Ref. No	Part No.	Description	off	Matl. Spec.	Cl. of Equip.	Plate No.
					M.R. L.M.	
		1 2 3 4 5 6				
12772	E.A9.97.294	PANEL, ACCESS, ARMAMENT, STARBOARD, GROUP Spares for this group are identical with those for group Part No. E.A9.97.293 on page 35, except for the following deletions and additions Delete:—	1	—	A	
12768	AS.2858	LOCK, door	1	—	B	
12769	E.A9.97.293X	PANEL, detachable Add:—	1	L.72	C	
	MIDLAND AEROQ'T LTD.					
12773	AS.2859	LOCK, door	1	—	B	
12774	E.A9.97.294X	PANEL, detachable	1	L.72	C	
13153	E.A9.97.1459	TUBE, blast, port inner (Mod. 2309)	1	S.3	A	
13154	E.A9.97.1460	TUBE, blast, starboard inner (Mod. 2309)	1	S.3	A	
13155	E.A9.97.1461	TUBE, blast, port outer (Mod. 2309)	1	S.3	A	
13156	E.A9.97.1462	TUBE, blast, starboard outer (Mod. 2309)	1	S.3	A	
12779	E.A9.97.1119	TUBE, blast, aft	4	T.45	B	
	E.A9.97.52	WIRING, FOR FOUR 20 M/M GUN PACK Spares for:—	—	—	—	
	BOULTON-PAUL					
13087	P.B1/73/90	BOX, resistance	1	—	B	
	E.A9.97.1045	CABLE, ASSEMBLY, FROM SUPPLY SOCKETS TO FIRING UNITS, GROUP Consisting of:—	4	—	—	
5E/3113	†	CABLE, Duprensheath 6	QR	—	C	
5D/1810	†	PLUG, 2-pin	1	—	C	
5CY/5000	†	PLUG, 2-pin	1	—	C	
5K/9107068	EEAS.146/D	SLEEVE, 3/4" long	1	—	C	
5K/	E.A9.97.1045A	SLEEVE, identification	1	—	LM	
	E.A9.97.1046	CABLE, ASSEMBLY, FROM GUN PACK 9 POLE SOCKET TO MAXI FLUX FIRING UNIT, CABLE PLUGS, GROUP Consisting of:—	1	—	—	
5E/4183	†	CABLE, Uninyvin 20	QR	—	C	
5E/3113	†	CABLE, Duprensheath 6	QR	—	C	
5X/6283	†	CABLE, end	1	—	C	
5X/1357	†	FERRULE, cut	1	—	C	
5X/3148	Z.49428	SLEEVE, cable	9	—	C	
5K/9107065	†	SLEEVE	9	—	C	
	E.A9.97.1046A	SLEEVE, identification	1	—	—	
	E.A9.97.1046B	SLEEVE, identification, starboard outer	1	—	—	
	E.A9.97.1046C	SLEEVE, identification, starboard inner	1	—	—	
	E.A9.97.1046D	SLEEVE, identification, port inner	1	—	—	
	E.A9.97.1046E	SLEEVE, identification, port outer	1	—	—	
	E.A9.97.1046F	SLEEVE, identification, air vent solenoid	1	—	—	
	E.A9.97.1046G	SLEEVE, identification, earth	1	—	—	
5X/6191	†	SOCKET, single, 9-pin	1	—	B	
5CY/2118	†	SOCKET	1	—	C	
5CY/5001	†	SOCKET	4	—	C	
32B/498	†	THREAD, waxed linen	QR	—	C	

**ARMAMENT
ARMAMENT INTERDICTOR ROLE**

Ref. No.	Part No.	Description	off	Matl. Spec.	Cl. of Equip.	Plate No.
					M.R. L.M.	
13088	E.A9.97.1399	COVER, thermostat	2	—	C	
	E.A9.97.431	FAIRLEAD (Make from Ref. 5F/2132) ...	1	LFS.21	LM	
	E.A9.97.432	PAD, felt, fairlead mounting (Make from Ref. 32B/1011)	1	DTD.590	LM	
13112	†	THERMOSTAT, "otter" type T, Mk. 13 ...	2	—	B	
12780	E.A9.97.827	PLATE, BAFFLE, GROUP Spares for:—	1	—	B	
24799	E.A9.97.828	FITTING, baffle plate attachment, lower, R.H.	1	DTD.423	C	
24800	E.A9.97.829	FITTING, baffle plate attachment, lower, R.H.	1	DTD.423	C	
12781	E.A9.97.830	FORK, fitting	2	S.94	C	
28FP/5	A.409	PIN, "pip", 1/4" dia., baffle plate strut attachment	2	—	C	
28FP/25	A.611	PIN, "pip", 3/8" dia., lower, fitted baffle plate attachment	2	—	C	
12782	E.A9.97.305	STAY, GUN PACK, GROUP Spares for:—	1	—	B	
12783	E.A9.97.694	EYE-BOLT	1	S.92	C	
12784	E.A9.97.300	EYE-BOLT	1	S.95	C	
12785	E.A9.97.742	STRUT, BAFFLE PLATE, PORT, GROUP ... Spares for:—	1	—	B	
12786	E.A9.97.744	EYE-BOLT	1	S.94	C	
12787	E.A9.97.695	TUBE, distance, for gun pack stay attachment bolt	1	S.94	C	
	E.A9.97.535	GUNSIGHT, 3N, INSTALLATION Consisting of:—	1	—	—	
28D/1212958	A.61/26C	BOLT, 2 BA	4	—	C	
28D/1212951	A.61/19C	BOLT, 2 BA	2	—	C	
12852	E.B6.97.443	BOLT, 2 BA	2	—	C	
34785	E.B6.97.403	BRACKET, assembly, gunsight mounting ...	1	—	B	
	E.B6.81.2335	CLIP, mounting, spare bulb	1	—	—	
5L/9952234	†	LAMP, filament, 24 volt	2	—	C	
28M/10281	AGS.2001/C/3	MOUNTING, casting, gunsight	1	—	—	
8B/2465	†	NUT, 2 BA	8	—	C	
28S/9019735	4101/4R/10	REFLECTOR, gunsight, Mk. 3N	1	—	A	
	E.A9.81.2643	SCREW, self-tapping	6	—	C	
5X/9450396	HC.490	SHIELD, bulb	2	—	—	
28W/9419475	SP.15/C	TAG	2	—	C	
5D/1482	†	WASHER	8	—	C	
	E.A9.81.4793	PANEL, bomb aimer, 24-way	1	—	A	
		PANEL, ARMAMENT ASSEMBLY (MOD. 2383) Spares for:—	1	—	—	
5E/4183	†	CABLE, Uninyvin 20	QR	—	C	
5D/1977	†	COUNTER, subtractive, E.M. Mk. 1 Attaching parts for Ref. 5D/1977:—	1	—	A	
28S/1200056	A33/A10	Screw, 6 BA	2	—	C	
18864	EEAS.111/3	FERRULE	1	—	C	
5X/1548	Z.18764/B	FERRULE, size B	1	—	C	
10H/0970059	Z.60668	GASKET, outlet	1	—	C	
10H/0970060	Z.60669	GASKET, outlet	1	—	C	
5CZ/5070	†	INDICATOR, electro magnetic, 24v	1	—	C	
10H/0970065	CZ.49182	OUTLET, straight	1	—	C	
10H/20436	C.64133	OUTLET, straight	1	—	C	

Ref. No.	Part No.							off	Matl. Spec.	Cl. of Equip.	Plate No.
		1	2	3	4	5	6			M.R. L.M.	

3 AL/9
Pages 47 to 56 not issued

1950

ARMAMENT
ARMAMENT INTERDICTOR ROLE

Ref. No.	Part No.	Description	No. off	Matl. Spec.	Cl. of Equip.	Plate No.
					M.R. L.M.	
SUMMARY OF STOCK ITEMS USED ON ARMA- MENT-INTERDICTOR ROLE, ASSEMBLY						
28F/9129089	AGS.1103/B	Body, union				C
28F/9440880	AGS.1106/A	Body, union				C
28D/1008148	A25/5A	Bolt, 6 BA, hex. head, "85 long				C
28D/1007971	A25/1B	Bolt, 4 BA, hex. head, "45 long				C
28D/1010658	A25/1B	Bolt, 4 BA, hex. head, "5 long				C
28D/1008149	A25/2B	Bolt, 4 BA, hex. head, "6 long				C
28D/9419452	A25/3B	Bolt, 4 BA, hex. head, "7 long				C
28D/1011006	A25/5B	Bolt, 4 BA, hex. head, "9 long				C
28D/1010029	A25/6B	Bolt, 4 BA, hex. head, 1" long				C
28D/9436920	A25/1C	Bolt, 2 BA, hex. head, "55 long				C
28D/9133011	A25/2C	Bolt, 2 BA, hex. head, "65 long				C
28D/9133012	A25/3C	Bolt, 2 BA, hex. head, "75 long				C
28D/1200129	A25/4C	Bolt, 2 BA, hex. head, "85 long				C
23D/9133013	A25/5C	Bolt, 2 BA, hex. head, "95 long				C
28D/7002428	A25/6C	Bolt, 2 BA, hex. head, 1"05 long				C
28D/1010030	A25/7C	Bolt, 2 BA, hex. head, 1"15 long				C
28D/1011019	A25/8C	Bolt, 2 BA, hex. head, 1"25 long				C
28D/9140644	A25/9C	Bolt, 2 BA, hex. head, 1"35 long				C
28D/9140645	A25/10C	Bolt, 2 BA, hex. head, 1"45 long				C
28D/9435710	A25/11C	Bolt, 2 BA, hex. head, 1"55 long				C
28D/9419397	A25/12C	Bolt, 2 BA, hex. head, 1"65 long				C
28D/9133014	A25/13C	Bolt, 2 BA, hex. head, 1"75 long				C
28D/9140647	A25/14C	Bolt, 2 BA, hex. head, 1"85 long				C
28D/9453970	A25/15C	Bolt, 2 BA, hex. head, 1"95 long				C
28D/1011021	A25/16C	Bolt, 2 BA, hex. head, 2"05 long				C
28D/9140648	A25/19C	Bolt, 2 BA, hex. head, 2"35 long				C
28D/1011019	A25/28C	Bolt, 2 BA, hex. head, 3"25 long				C
28D/1011030	A25/2E	Bolt, 1/4" BSF, hex. head, "7 long				C
28D/1011238	A25/3E	Bolt, 1/4" BSF, hex. head, "8 long				C
28D/1008151	A25/4E	Bolt, 1/4" BSF, hex. head, "9 long				C
28D/1011240	A25/5E	Bolt, 1/4" BSF, hex. head, 1" long				C
28D/1008145	A25/6E	Bolt, 1/4" BSF, hex. head, 1"1 long				C
28D/1010031	A25/8E	Bolt, 1/4" BSF, hex. head, 1"3 long				C
28D/1011245	A25/10E	Bolt, 1/4" BSF, hex. head, 1"5 long				C
28D/1011247	A25/13E	Bolt, 1/4" BSF, hex. head, 1"8 long				C
28D/1011254	A25/2G	Bolt, 5/16" BSF, hex. head, "75 long				C
28D/1202771	A25/4G	Bolt, 5/16" BSF, hex. head, "95 long				C
28D/1011256	A25/5G	Bolt, 5/16" BSF, hex. head, 1"05 long				C
28D/7002427	A25/6G	Bolt, 5/16" BSF, hex. head, 1"15 long				C
28D/1011268	A25/33G	Bolt, 5/16" BSF, hex. head, 3"85 long				C
28D/1011300	A25/7J	Bolt, 3/8" BSF, hex. head, 1"35 long				C
28D/1011302	A25/10J	Bolt, 3/8" BSF, hex. head, 1"65 long				C
28D/1011305	A25/20J	Bolt, 3/8" BSF, hex. head, 2"65 long				C
28D/1212758	A25/22J	Bolt, 3/8" BSF, hex. head, 2"85 long				C
28D/1212810	A25/41J	Bolt, 3/8" BSF, hex. head, 4"75 long				C
28D/1212812	A25/43J	Bolt, 3/8" BSF, hex. head, 4"95 long				C

**ARMAMENT
ARMAMENT INTERDICTOR ROLE**

Ref. No.	Part No.	Description	off	Mati. Spec.	Cl. of Equip.	Plate No.	
					M.R. L.M.		
		1	2	3	4	5	6
28D/1215672	A59/16C	Bolt, shear, 2 BA, hex. head, 2"05 long		C	
28D/1215675	A59/19C	Bolt, shear, 2 BA, hex. head, 2"35 long		C	
28D/1215678	A59/22C	Bolt, shear, 2 BA, hex. head, 2"65 long		C	
28D/1215679	A59/23C	Bolt, shear, 2 BA, hex. head, 2"75 long		C	
28D/	A59/28C	Bolt, shear, 2 BA, hex. head, 3"25 long		C	
28D/1213440	A59/23G	Bolt, shear, 3/8" BSF, hex. head, 2"85 long		C	
28D/	A59/41J	Bolt, shear, 3/8" BSF, hex. head, 4"75 long		C	
28D/	A59/43J	Bolt, shear, 3/8" BSF, hex. head, 4"95 long		C	
28D/14826	AS.1242/1/2B	Bolt, 4 BA, c'sk. head		C	
28D/1007285	AS.1242/1B	Bolt, 4 BA, c'sk. head, "45 long		C	
28D/1007973	AS.1242/2B	Bolt, 4 BA, c'sk. head, "55 long		C	
28D/1007319	AS.1242/3B	Bolt, 4 BA, c'sk. head, "65 long		C	
28D/1007319	AS.1242/4B	Bolt, 4 BA, c'sk. head, "75 long		C	
28D/1214299	AS.1242/5B	Bolt, 4 BA, c'sk. head, "85 long		C	
28D/9133031	AS.1242/6B	Bolt, 4 BA, c'sk. head, "95 long		C	
28D/1214302	AS.1242/8B	Bolt, 4 BA, c'sk. head, 1"15 long		C	
28D/1214091	AS.1242/2C	Bolt, 2 BA, c'sk. head, "6 long		C	
28D/9709461	AS.1242/3C	Bolt, 2 BA, c'sk. head, "7 long		C	
28D/1007976	AS.1242/4C	Bolt, 2 BA, c'sk. head, "8 long		C	
28D/1013172	AS.1242/5C	Bolt, 2 BA, c'sk. head, "9 long		C	
28D/1204937	AS.1242/6C	Bolt, 2 BA, c'sk. head, 1" long		C	
28D/1214031	AS.1242/8C	Bolt, 2 BA, c'sk. head, 1"2 long		C	
28D/1013177	AS.1242/2E	Bolt, 1/4" BSF, c'sk. head, "65 long		C	
28D/1202334	AS.1242/3E	Bolt, 1/4" BSF, c'sk. head, "75 long		C	
28D/1212825	AS.1242/4E	Bolt, 1/4" BSF, c'sk. head, "85 long		C	
28D/9140202	AS.1246/1C	Bolt, 2 BA, round head, "5 long		C	
28D/9128739	AS.1248/1/2B	Bolt, 4 BA, mushroom head, "4 long		C	
28D/1007982	AS.1248/1C	Bolt, 2 BA, mushroom head, "5 long		C	
28D/1013284	AS.1248/2C	Bolt, 2 BA, mushroom head, "6 long		C	
28D/1212369	A.1248/1/2E	Bolt, 1/4" BSF, mushroom head		C	
28N/5549	AGS.899/2	Collar		C	
28N/5555	AGS.899/8	Collar		C	
28F/8011890	AGS.952/A	Collar		C	
28F/9439531	AGS.952/B	Collar		C	
28F/6355	AGS.952/E	Collar		C	
28F/8011885	AGS.1142/B	Nipple		C	
28F/9439897	AGS.1142/E	Nipple		C	
28F/10772	AGS.1170/E	Nipple		C	
28F/12071	AGS.1170/K	Nipple		C	
28M/9403519	A27/BP	Nut, 4 BA, plain		C	
28M/1006504	A27/BT	Nut, 4 BA, thin		C	
28M/9403520	A27/CP	Nut, 2 BA, plain		C	
28M/1006473	A27/CT	Nut, 2 BA, thin		C	
28M/1011475	A27/EP	Nut, 1/4" BSF, plain		C	
28M/1011467	A27/ES	Nut, 1/4" BSF, slotted		C	
28M/1007403	A27/ET	Nut, 1/4" BSF, thin		C	
28M/1006939	A27/GP	Nut, 1/8" BSF, plain		C	
28M/1011470	A27/GT	Nut, 1/8" BSF, thin		C	
28M/1011473	A27/JP	Nut, 1/8" BSF, plain		C	
28M/9129449	A27/LS	Nut, 1/8" BSF, slotted		C	
28M/9452621	A27/NT	Nut, 1/8" BSF, thin		C	
28M/9446651	A27/SP	Nut, 1/8" BSF, plain		C	
28M/13705	A27/ST	Nut, 1/8" BSF, thin		C	
28M/13145	A27/QS	Nut, 1/8" BSF, slotted		C	

ARMAMENT
ARMAMENT INTERDICTOR ROLE

Ref. No.	Part No.	Description						No. off	Matl. Spec.	Cl. of Equip.	Plate No.
		1	2	3	4	5	6			M.R. L.M.	
28M/10286	AGS.2001/A/1	Nut	stiff	6	BA	C	
28M/10287	AGS.2001/B/1	Nut	stiff	4	BA	C	
28M/10288	AGS.2001/C/1	Nut	stiff	2	BA	C	
28M/10290	AGS.2001/E/1	Nut	stiff	1/4"	BSF	C	
28M/10292	AGS.2001/J/1	Nut	stiff	3/8"	BSF	C	
28M/10295	AGS.2001/Q/1	Nut	stiff	3/8"	BSF	C	
28M/10327	AGS.2002/B/1	Nut	stiff	4	BA	C	
28M/10328	AGS.2002/C/1	Nut	stiff	2	BA	C	
28M/7002431	AGS.2002/G/1	Nut	stiff	5/16"	BSF	C	
28M/10332	AGS.2002/J/1	Nut	stiff	3/8"	BSF	C	
28M/9434253	AGS.2007/B/1	Nut	stiff	4	BA	C	
28M/11957	AGS.2007/C/1	Nut	stiff	2	BA	C	
28M/9435561	AGS.2007/G/1	Nut	stiff	1/8"	C	
28M/12421	AGS.2018/C/1	Nut	stiff	2	BA	C	
28P/9446312	SP.4Y/B3	Pin	shackle	C	
28P/833	SP.4Y/B7	Pin	shackle	C	
28P/865	SP.4Y/D7	Pin	shackle	C	
28P/1052	SP.4Y/D30	Pin	shackle	C	
28P/1021104	SP.90/C3	Pin	split	1/2"	long x 1/8" dia.	C	
28P/9710567	SP.90/C4	Pin	split	5/8"	long x 1/8" dia.	C	
28P/9486478	SP.90/C5	Pin	split	3/4"	long x 1/8" dia.	C	
28P/19234	SP.90/E8	Pin	split	1 1/4"	long x 3/8" dia.	C	
28P/19176	SP.90/G6	Pin	split	1"	long x 1/8" dia.	C	
28P/19239	SP.90/G7	Pin	split	1 1/8"	long x 1/8" dia.	C	
28P/19157	SP.90/G10	Pin	split	1 1/2"	long x 1/8" dia.	C	
28P/9534222	SP.90/H7	Pin	split	1 1/4"	long x 3/32" dia.	C	
28P/1011098	SP.28/G4	Pin	taper	1 1/2"	long x 3/32" dia.	C	
28P/1008610	SP.28/H6	Pin	taper	3/4"	long x 1/8" dia.	C	
28P/9703196	SP.28/H10	Pin	taper	1 1/4"	long x 1/8" dia.	C	
28P/15478	SP.28/H16	Pin	taper	C	
28S/1200034	A31/B16	Screw	4 BA	cheese head	1 1/2" long	C	
28S/1200040	A31/B20	Screw	4 BA	cheese head	1" long	C	
28S/1200033	A31/B24	Screw	4 BA	cheese head	1" long	C	
28S/9435713	A31/C20	Screw	2 BA	cheese head	7/8" long	C	
28S/1200047	A31/C24	Screw	2 BA	cheese head	7/8" long	C	
28S/9992525	A32/B12	Screw	4 BA	round head	x 1" long	C	
28S/2875	A32/B24	Screw	4 BA	round head	x 3/4" long	C	
28S/1200059	A33/A14	Screw	6 BA	c'sk. head	1 1/8" long	C	
28S/1200060	A33/A16	Screw	6 BA	c'sk. head	1 1/2" long	C	
28S/1200062	A33/A20	Screw	6 BA	c'sk. head	x 1" long	C	
28S/9435716	A33/B12	Screw	4 BA	c'sk. head	x 7/8" long	C	
28S/1200066	A33/B20	Screw	4 BA	c'sk. head	1" long	C	
28S/15479	A55/C8	Screw	grub	C	
28F/9128936	AGS.904/A	Sleeve	C	
28F/8011819	AGS.904/B	Sleeve	C	
28F/14595	AGS.955/E	Sleeve	C	
28F/9440881	AGS.1118/A	Tee	C	
28F/8011811	AGS.1118/B	Tee	C	

**ARMAMENT
ARMAMENT INTERDICTOR ROLE**

Ref. No.	Part No.	1	2	3	4	5	6	Description	off	Matl. Spec.	Cl. of Equip.	Plate No.
											M.R.	
												L.M.
28W/9419465	SP.13/B							Washer, 4 BA, plain				C
28W/9419402	SP.13/C							Washer, 2 BA, plain				C
28W/9418921	SP.13/E							Washer, 1/4" BSF, plain				C
28W/9419403	SP.13/G							Washer, 5/16" BSF, plain				C
28W/9419466	SP.13/J							Washer, 3/8" BSF, plain				C
28W/9419468	SP.13/N							Washer, 1/2" BSF, plain				C
28W/9419469	SP.13/P							Washer, 5/16" BSF, plain				C
28W/9419470	SP.13/Q							Washer, 3/8" BSF, plain				C
28W/9419473	SP.15/A							Washer, 6 BA, plain				C
28W/9419474	SP.15/B							Washer, 4 BA, plain				C
28W/9419475	SP.15/C							Washer, 2 BA, plain				C
28W/9419405	SP.15/E							Washer, 1/4" BSF, plain				C
28W/9419476	SP.15/G							Washer, 5/16" BSF, plain				C
28W/9419477	SP.15/J							Washer, 3/8" BSF, plain				C
28W/9419478	SP.15/L							Washer, 1/8" BSF, plain				C
28W/9419479	SP.15/N							Washer, 1/2" BSF, plain				C
28W/9419485	SP.16/A							Washer, 6 BA, plain				C
28W/9419404	SP.16/C							Washer, 2 BA, plain				C
28W/9416316	SP.41/E							Washer, tab, 1/4" BSF				C
28W/9416642	SP.47/B							Washer, 4 BA, spring				C
28W/9416643	SP.47/C							Washer, 2 BA, spring				C
28W/9416644	SP.47/E							Washer, 1/4" BSF, spring				C
28W/9416646	SP.47/J							Washer, 3/8" BSF, spring				C
28W/9128181	SP.55/A							Washer, 6 BA, spring				C

**ARMAMENT
ARMAMENT BOMBER ROLE**

Ref. No.	Part No.	Description	No. off	Matl. Spec.	Cl. of Equip.	Plate No.
					M.R. L.M.	
	E.A.9.97.1	ARMAMENT, GENERAL ARRANGEMENT	—	—	—	
		Spares for:—				
	E.A.9.97.3	BOMB GEAR, ASSEMBLY	—	—	—	
		Spares for:—				
11A/3690	E.A.3.97.111	ADAPTOR , auxiliary beam, rear, in light series bomb carrier	2	—	A	
11A/3691	E.A.3.97.113	ADAPTOR , auxiliary beam, rear, in light series bomb carrier	2	—	A	
11A/3688	E.A.3.97.115	ADAPTOR , auxiliary beam, forward, in light series bomb carrier	4	—	A	
11A/3689	E.A.3.97.117	ADAPTOR , auxiliary beam, forward, in light series bomb carrier	4	—	A	
11A/3680	E.A.3.97.343	BEAM, FORWARD, SECONDARY, BOMB, GROUP	1	—	A	A.1/8
		Spares for:—				
	E.A.1.97.11	BEAM, BOMB, ASSEMBLY	—	—	—	
		Spares for:—				
11A/3824	E.A.1.97.253	BUSH , eccentric, ³ / ₈ " bore	4	DTD.683	C	A.1/8
11A/3825	E.A.1.97.251	BUSH , eccentric, ⁵ / ₈ " bore	4	DTD.683	C	A.1/8
11A/3701	E.A.1.97.363	CRUTCH-BOLT , c/w pad	4	—	C	A.1/8
11A/5465	E.A.3.97.579	CRUTCH-BOLT , assembled (Arm. Mod. 23)	10	—	C	A.1/8
11A/3838	E.A.2.97.87	PEG , triple carrier, locating	5	—	C	
11A/3840	E.A.3.97.413	PEG , triple carrier, locating	1	—	C	A.1/8
11A/3841	E.A.1.97.133	PIN , beam, attachment	2	—	C	A.1/8
11A/3827	E.A.3.97.461	BOLT , special, eye, at frame 17	2	DTD.683	C	A.1/8
11A/3828	E.A.3.97.463	BOLT , special, eye, at frame 21	2	DTD.683	C	A.1/8
11A/3796	E.A.3.97.313	BOLT , special, bearing, bomb release unit ...	2	S.97	C	A.1/8
11A/3837	E.A.3.91.1821	PIN , retaining, connector block	6	DTD.683	C	
28FP/30	A.618	PIN , pip, ³ / ₈ " dia.	2	—	C	A.1/8
28FP/52	A.1018	PIN , pip, ⁵ / ₈ " dia.	2	—	C	A.1/8
	E.A.3.97.415	UNIT , lanyard retraction, assembly	1	—	—	
	E.B6.97.463	UNIT , lanyard retraction, assembly	1	—	—	
11A/4715		UNIT , emergency release, No. 3 (Arm. Mod. 29)	2	—	A	
	E.A.3.97.427	UNIT , manual release, assembly	1	—	—	
11A/3797	E.A.3.97.315	WASHER , special	3	DTD.683	C	
11A/4221	E.A.3.97.559	BEAM, REAR, SECONDARY, BOMB, GROUP ...	1	—	A	A.1/8
		Spares for:—				
	E.A.3.97.565	BEAM, BOMB, ASSEMBLY	—	—	—	
		Spares for:—				
11A/4121	E.A.1.97.171	BRACKET , forward, pin support	1	DTD.683	C	
	E.A.1.97.172	BRACKET , forward, pin support	1	DTD.683	—	
	E.A.3.97.545	BRACKET , for 300 gallon tank, frame 24, c/w bushes	2	—	—	
	E.A.3.97.547	BRACKET , for 300 gallon tank, frame 27, c/w bushes, port	1	—	—	
	E.A.3.97.548	BRACKET , for 300 gallon tank, frame 27, c/w bushes, starboard	1	—	—	
11A/3701	E.A.1.97.363	CRUTCH-BOLT , c/w pad	4	—	C	A.1/8
11A/5465	E.A.3.97.579	CRUTCH-BOLT , assembly (Arm. Mod. 23) ...	8	—	C	A.1/8
11A/3838	E.A.2.97.87	PEG , triple carrier, locating	5	—	C	A.1/8
11A/	E.A.3.97.517	PEG	1	—	—	
11A/3842	E.A.1.97.175	PIN , attachment	2	—	C	A.1/8

**ARMAMENT
ARMAMENT BOMBER ROLE**

Ref. No.	Part No.	Description	off	Mati. Spec.	Cl. of Equip.		Plate No.
					M.R.	L.M.	
		1 2 3 4 5 6					
11A/3796	E.A3.97.313	BOLT , special bearing, bomb release unit ...	2	S.65	C		
11A/3837	E.A3.81.1821	PIN , retaining, connector block ...	6	DTD.683	C		
5X/6240	E.A1.81.429	TERMINAL , earth ...	1	DTD.683	C		
11A/3797	E.A3.97.315	WASHER , special ...	3	DTD.683	C		
11A/4228		CARRIER , triple bomb, Mk. 2 ...	3	—	A		
11A/3682	E.A1.97.313	CRUTCH, FRONT, GROUP ... Spares for:—	2	—	B		A.1/8
11A/3836	E.A1.97.311	BOLT , special, front crutch ...	1	DTD.683	C		A.1/8
11A/3834	E.A1.97.303	NUT , special, lock ...	1	DTD.683	C		A.1/8
11A/3835	E.A3.97.511	PAD, CRUTCH, ASSEMBLY ... Spares for:—	1	—	C		A.1/8
	E.A1.97.305	LINING ...	1	Ferodo	—		
	E.A1.97.309	PAD ...	1	DTD.683	—		
11A/	E.A1.97.307	PLATE , bolt, retaining ...	1	DTD.683	—		
11A/3683	E.A1.97.321	CRUTCH, REAR, GROUP ... Spares for:—	2	—	B		A.1/8
11A/	E.A1.97.319	BOLT , special ...	1	DTD.683	—		A.1/8
11A/3834	E.A1.97.303	NUT , special, lock ...	1	DTD.683	C		A.1/8
11A/3833	E.A3.97.509	PAD, CRUTCH, ASSEMBLY ... Spares for:—	1	—	C		A.1/8
11A/	E.A1.97.315	LINING ...	1	Ferodo	—		A.1/8
11A/	E.A1.97.317	PAD ...	1	DTD.683	—		A.1/8
	E.A1.97.291	HOUSING, BOMB RELEASE UNIT, GROUP ... Spares for:—	1	—	MR		
11A/3686	E.A1.97.275	BOLT , special, bearing ...	1	S.96	C		
22429	E.A3.81.2495	PIN , connector, retaining ...	2	DTD.683	C		
3206	EEAS.20/54JS	WASHER , special, bearing bolt ...	1	DTD.683	C		
11A/3702	E.A1.97.285	WASHER , special ...	1	DTD.683	C		
	E.A9.97.15	BOMBSIGHT, TYPE T2, ASSEMBLY ... Spares for:—	—	—	—		
28D/9133011	A25/2C	BOLT , 2 BA, mounting bracket, steady ...	1	—	C		
28D/1200119	A25/4C	BOLT , 2 BA, bracket, mounting ...	4	—	C		
28D/9140644	A25/9C	BOLT , 2 BA, bracket, mounting ...	4	—	C		
28D/1011301	A25/8J	BOLT , 3/8" BSF, bracket, mounting ...	1	—	C		
28D/1011302	A25/10J	BOLT , 3/8" BSF, bracket, mounting ...	1	—	C		
28D/1212752	A25/12J	BOLT , 3/8" BSF, bracket, mounting ...	1	—	C		
	E.A9.97.1101	BRACKET , bombsight, mounting ...	1	—	—		A.3/8
28M/1011473	A27/JP	NUT , 3/8" BSF, bracket, bolt, mounting ...	3	—	C		
28M/10287	AGS.2001/B/1	NUT , 4 BA ...	18	—	C		
28M/10288	AGS.2001/C/1	NUT , 2 BA ...	1	—	C		
28S/1008327	A32/B14	SCREW , 4 BA ...	18	—	C		
28W/9416632	SP.47/C	WASHER , 2 BA ...	4	—	C		
28W/9416646	SP.47/J	WASHER , 3/8" BSF ...	3	—	C		
13122	E.A9.11.2051	DOOR, BOMB, PORT, GROUP (MOD. 2142) ... Spares for:—	1	—	A		
235	E.A1.11.1231	BOLT , eye, connection for hinge support stay ...	2	L.40	C		A.2/8
15825	E.A1.11.1573	BOLT , special, bomb door hinge at frames 15, 17 and 19	6	S.11	C/MR		
4151	E.A1.11.1601	BOLT , special, bomb door hinge, attachment ...	2	S.11	C		A.2/8

**ARMAMENT
ARMAMENT BOMBER ROLE**

Ref. No.	Part No.	Description	No. off	Matl. Spec.	Cl. of Equip.		Plate No.
					M.R.	L.M.	
		1 2 3 4 5 6					
	E.A1.11.823	BRACKET, DOOR, ROLLER GUIDE, GROUP ...	1	—	—		
		Spares for:—					
236	E.A1.11.1615	BOLT , special, c/w lubricating nipple ...	1	—	C		A.2/8
237	E.A1.11.837	ROLLER ...	1	L.40	C		A.2/8
	E.A1.11.1617	TUBE , ½" o/d. x 1"04 x 20 SWG ...	1	T.45	—		
	E.A1.11.825	BRACKET, DOOR, ROLLER GUIDE, GROUP ...	1	—	—		
		Spares for:—					
236	E.A1.11.1615	BOLT , special, c/w lubricating nipple ...	1	—	C		A.2/8
237	E.A1.11.837	ROLLER ...	1	L.40	C		A.2/8
	E.A1.11.1617	TUBE , ½" o/d. x 1"04 x 20 SWG ...	1	T.45	—		
	E.A1.11.827	BRACKET, DOOR, ROLLER GUIDE, GROUP ...	1	—	—		
		Spares for:—					
236	E.A1.11.1615	BOLT , special, c/w, lubricating nipple ...	1	—	C		A.2/8
237	E.A1.11.837	ROLLER ...	1	L.40	C		A.2/8
	E.A1.11.1617	TUBE , ½" o/d. x 1"04 x 20 SWG ...	1	T.45	—		
	E.A1.11.829	BRACKET, DOOR, ROLLER GUIDE, GROUP ...	1	—	—		
		Spares for:—					
236	E.A1.11.1615	BOLT , special, c/w. lubricating nipple ...	1	—	C		A.2/8
237	E.A1.11.837	ROLLER ...	1	L.40	C		A.2/8
	E.A1.11.1617	TUBE , ½" o/d. x 1"04 x 20 SWG ...	1	T.45	—		
	E.A1.11.831	BRACKET, DOOR, ROLLER GUIDE, GROUP ...	1	—	—		
		Spares for:—					
236	E.A1.11.1615	BOLT , special, c/w. lubricating nipple ...	1	—	C		A.2/8
237	E.A1.11.837	ROLLER ...	1	L.40	C		A.2/8
	E.A1.11.1617	TUBE , ½" o/d. x 1"04 x 20 SWG ...	1	T.45	—		
	E.A1.11.833	BRACKET, DOOR, ROLLER GUIDE, GROUP ...	1	—	—		
		Spares for:—					
236	E.A1.11.1615	BOLT , special, c/w. lubricating nipple ...	1	—	C		A.2/8
237	E.A1.11.837	ROLLER ...	1	L.40	C		A.2/8
	E.A1.11.1617	TUBE , ½" o/d. x 1"04 x 20 SWG ...	1	T.45	—		
11497	E.A1.11.845	BRACKET, DOOR, ROLLER MOUNTING, CENTRE TRACK, GROUP	1	—	B/MR		
		Spares for:—					
238	E.A1.11.851	PIN , special, locating, outboard roller ...	1	S.11	C		A.2/8
239	E.A1.11.853	PIN , special, main roller ...	1	S.11	C		A.2/8
240	E.A1.11.855	PIN , special, inboard roller ...	1	S.11	C		A.2/8
241	E.A1.11.847	ROLLER , locating ...	1	BSS.369	C		A.2/8
242	E.A1.11.849	ROLLER , main ...	1	BSS.369	C		A.2/8
243	E.A1.11.1365	ROLLER , main ...	1	BSS.369	C		A.2/8
244	E.A1.11.857	WASHER , special, thrust, main roller ...	1	DTD.124	C		A.2/8
245	E.A1.11.1367	WASHER , special ...	1	S.1	C		A.2/8
15798	E.A1.11.1177	CONNECTION , main hinge stay ...	1	L.40	B		
15800	E.A1.11.1179	CONNECTION , main hinge stay ...	1	DTD.683	C/MR		
247	E.A1.11.1441	FLAP , roller, spring hinged clearance ...	1	—	C		A.2/8

**ARMAMENT
ARMAMENT BOMBER ROLE**

Ref. No.	Part No.	Description	No. off	Matl. Spec.	Cl. of Equip.		Plate No.
					M.R.	L.M.	
		1 2 3 4 5 6					
	E.A1.11.933	HINGE, BOMB DOOR, MAIN BRACKET, REAR END, GROUP	1	—	—		
		Spares for:—					
248	E.A1.11.927	BEARING, journal	1	DTD.197	C	A.2/8	
249	E.A1.11.929	BEARING, journal	1	DTD.197	C	A.2/8	
20520	E.A1.11.1467	BRACKET	1	L.40	C		
13224	E.A1.11.935	HINGE, BOMB DOOR, MAIN BRACKET, FORWARD, GROUP (Supplied to Drg. Part. No. E.A3.00.1001, for spares purposes)	1	—	B		
		Spares for:—					
249	E.A1.11.929	BEARING, journal	1	DTD.197	C	A.2/8	
250	E.A1.11.931	BEARING, journal	1	DTD.197	C	A.2/8	
20520	E.A1.11.1467	BRACKET	1	L.40	C		
	E.A1.11.1607	HINGE, flap roller clearance (Make from AS.1878 Ref. No. 28N/10786)	1	—	LM		
	E.A3.11.121	SEAL, 22' 3" long (Make from Ref. 4431)	2	Syn. Rubber	LM		
	E.A3.11.117	SEAL, 6$\frac{5}{8}$" long (Make from Ref. 4431)	2	Syn. Rubber	LM		
	E.A3.11.119	SEAL, 5$\frac{3}{8}$" long (Make from Ref. 4431)	2	Syn. Rubber	LM		
251	E.A1.11.1309	SPRING, leaf, outboard clearance flap	1	Spring Steel	C	A.2/8	
252	E.A1.11.1311	SPRING, leaf, inboard clearance flap	1	Spring Steel	C	A.2/8	
253	E.A1.11.1205	STAY, main hinge support	1	—	C	A.2/8	
254	E.A1.11.1207	STAY, main hinge support	1	—	C	A.2/8	
15807	E.A1.11.1327	STUD, securing, roller bracket	1	S.11	C/MR		
13123	E.A9.11.2052	DOOR, BOMB, STARBOARD (MOD. 2142) ...	1	—	A		
		Spares for:—					
235	E.A1.11.1231	BOLT, eye, connection for hinge stay, support ...	2	L.40	C	A.2/8	
15825	E.A1.11.1573	BOLT, special, bomb door hinge at frames 15, 17 and 19	6	S.11	C/MR		
4151	E.A1.11.1601	BOLT, special, bomb door hinge attachment ...	2	S.11 or S.2	C	A.2/8	
	E.A1.11.823	BRACKET, DOOR, ROLLER GUIDE, GROUP ...	1	—	—		
		Spares for:—					
236	E.A1.11.1615	BOLT, special, c/w, lubricating nipple	1	—	C	A.2/8	
237	E.A1.11.837	ROLLER	1	L.40	C	A.2/8	
	E.A1.11.1617	TUBE, $\frac{1}{2}$" o/d. x 1"04 x 20 SWG	1	T.45	—		
	E.A1.11.825	BRACKET, DOOR, ROLLER GUIDE, GROUP ...	1	—	—		
		Spares for:—					
236	E.A1.11.1615	BOLT, special, c/w, lubricating nipple	1	—	C	A.2/8	
237	E.A1.11.837	ROLLER	1	L.40	C	A.2/8	
	E.A1.11.1617	TUBE, $\frac{1}{2}$" o/d. x 1"04 x 20 SWG	1	T.45	—		
	E.A1.11.827	BRACKET, DOOR, ROLLER GUIDE, GROUP ...	1	—	—		
		Spares for:—					
236	E.A1.11.1615	BOLT, special, c/w, lubricating nipple	1	—	C	A.2/8	
237	E.A1.11.837	ROLLER	1	L.40	C	A.2/8	
	E.A1.11.1617	TUBE, $\frac{1}{2}$" o/d. x 1"04 x 20 SWG	1	T.45	—		

**ARMAMENT
ARMAMENT BOMBER ROLE**

Ref. No.	Part No.	Description	No. Off	Matl. Spec.	Cl. of Equip.	Plate No.
					M.R. L.M.	
11494	E.A1.11.829	BRACKET, DOOR, ROLLER GUIDE, GROUP	1	—	C	
		Spares for:—				
236	E.A1.11.1615	BOLT , special, c/w lubricating nipple	1	—	C	A.2/8
237	E.A1.11.837	ROLLER	1	L.40	C	A.2/8
	E.A1.11.1617	TUBE , 1/2" o/d. x 1"04 x 20 SWG	1	T.45	—	
	E.A1.11.831	BRACKET, DOOR, ROLLER GUIDE, GROUP	1	—	—	
		Spares for:—				
236	E.A1.11.1615	BOLT , special, c/w lubricating nipple	1	—	C	A.2/8
237	E.A1.11.837	ROLLER	1	L.40	C	A.2/8
	E.A1.11.1617	TUBE , 1/2" o/d. x 1"04 x 20 SWG	1	T.45	—	
	E.A1.11.833	BRACKET, DOOR, ROLLER GUIDE, GROUP	1	—	—	
		Spares for:—				
236	E.A1.11.1615	BOLT , special, c/w lubricating nipple	1	—	C	A.2/8
237	E.A1.11.837	ROLLER	1	L.40	C	A.2/8
	E.A1.11.1617	TUBE , 1/2" o/d. x 1"04 x 20 SWG	1	T.45	—	
11498	E.A1.11.846	BRACKET, DOOR, ROLLER MOUNTING CENTRE TRACK, GROUP	1	—	B/MR	
		Spares for:—				
238	E.A1.11.851	PIN , special, locating, outboard roller	1	S.11	C	A.2/8
239	E.A1.11.853	PIN , special, main roller	1	S.11	C	A.2/8
240	E.A1.11.855	PIN , special, locating inboard roller	1	S.11	C	A.2/8
241	E.A1.11.847	ROLLER , locating	1	BSS.369	C	A.2/8
242	E.A1.11.849	ROLLER , main	1	BSS.369	C	A.2/8
243	E.A1.11.1365	ROLLER , main	1	BSS.369	C	A.2/8
244	E.A1.11.857	WASHER , special thrust, main roller	1	DTD.124	C	A.2/8
245	E.A1.11.1367	WASHER , special	1	S.1	C	A.2/8
15799	E.A1.11.1178	CONNECTION , main hinge stay	1	L.40	C/MR	
15801	E.A1.11.1180	CONNECTION , main hinge stay	1	DTD.683	C/MR	
247	E.A1.11.1441	FLAP , roller, spring hinged clearance	1	—	C	A.2/8
11500	E.A1.11.934	HINGE, BOMB DOOR, MAIN BRACKET, REAR END, GROUP	1	—	B/MR	
		Spares for:—				
248	E.A1.11.927	BEARING , journal	1	DTD.197	C	A.2/8
249	E.A1.11.929	BEARING , journal	1	DTD.197	C	A.2/8
18212	E.A1.11.1468	BRACKET	1	L.40	C/MR	
13225	E.A1.11.936	HINGE, BOMB DOOR, MAIN BRACKET, FORWARD END, GROUP	1	—	B	
		(Supplied to Drg. Part No. E.A3.00.1002 for spares purposes)				
		Spares for:—				
249	E.A1.11.929	BEARING , journal	1	DTD.197	C	A.2/8
250	E.A1.11.931	BEARING , journal	1	DTD.197	C	A.2/8
18212	E.A1.11.1468	BRACKET	1	L.40	C/MR	
	E.A1.11.1607	HINGE , flap roller clearance (Make from AS.1878, Ref. 28N/10786)	1	—	LM	
	E.A3.11.121	SEAL , 22'-3" long (Make from Ref. 4431)	2	Syn. Rubber	LM	
	E.A3.11.117	SEAL , 6 1/2" long (Make from Ref. 4431)	2	Syn. Rubber	LM	
	E.A3.11.119	SEAL , 5 3/8" long (Make from Ref. 4431)	2	Syn. Rubber	LM	
251	E.A1.11.1309	SPRING , leaf, outboard clearance flap	1	Spring Steel	C	A.2/8
252	E.A1.11.1311	SPRING , leaf, inboard clearance flap	1	Spring Steel	C	A.2/8
253	E.A1.11.1205	STAY , main hinge support	1	—	C	A.2/8
254	E.A1.11.1207	STAY , main hinge support	1	—	C	A.2/8
15807	E.A1.11.1327	STUD , securing, roller bracket	1	S.11	C/MR	

**ARMAMENT
ARMAMENT BOMBER ROLE**

Ref. No.	Part No.	Description	No. Off	Matl. Spec.	Cl. of Equip.	Plate No.
					M.R. L.M.	
		1 2 3 4 5 6				
	E.A9.81.6345	PANEL, ARMAMENT, ASSEMBLY (MOD. 4430) (For A/C incorporating Mod. 2195)	1	—	—	
	E.A9.81.6239	Spares for:— BRACKET, ASSEMBLY	1	—	—	
	Ward Brooke	Consisting of:—				
5CZ/	WB/UN/1146/S/3/W	BLOCK, terminal	1	—	—	
	E.A9.81.6237	BRACKET, mounting	1	—	—	
5CZ/7557	Ward Brooke WB/NY/1110/B/3	COVER, block	1	—	C	
28M/1278189	AGS.2001/B/1	NUT, 4 BA	2	—	C	
	Ward Brooke					
5CZ/6424	WB.1114/28	PILLAR, fixing	2	—	C	
26DK/34479	EEAS.550/3	PLATE, ident	1	—	C	
28W/9419465	SP.13/B	WASHER	2	—	C	
		Attaching parts for E.A9.81.6239:—				
28M/1278189	AGS.2001/B/1	Nut, 4 BA	2	—	C	
28S/9992525	A32/B12	Screw, 4 BA	2	—	C	
28W/9419401	SP.10/B	Washer	2	—	C	
5E/4183		CABLE, Uninyvin 20	QR	—	C	
34307	E.A9.81.4015	COVER, tag board, assembly	1	—	C	
		Attaching parts for E.A9.81.4015:—				
28D/1213732	AS.1248/5B	Bolt, 4 BA	2	—	C	
28M/1278189	AGS.2001/B/1	Nut, 4 BA	2	—	C	
28W/9419474	SP.15/B	Washer	2	—	C	
5L/9959118		FILAMENT	1	—	C	
10H/0970060	Z.60669	GASKET, outlet	1	—	C	
10H/0970110	Z.62239	GASKET, union	1	—	C	
	E.G4.81.311	GUARD, switch (Make from Ref. 5CW/5765)	1	—	—	
5D/1541		INDICATOR, magnetic	4	—	C	
	Page Engineering					
5CX/5382	C.500/A/7	LAMP, warning, red	1	—	C	
	Ward Brooke					
5CZ/6894	WB.1146/72	LINK, connecting,	1	—	C	
10H/0970292	CZ.69733	NUT, cable clamp	1	—	C	
10H/0119121	Z.49081	OUTLET, straight	1	—	C	
	E.A9.81.6199	PANEL, armament, engraved	1	—	—	
	E.A9.81.6339	PLATE, backing	1	—	—	
	E.B6.81.11033	PLATE, cover, indicator	1	—	—	
26DK/10547	EEAS.200/1	RING, locking	2	—	C	
10H/0970090	Z.62233	RING, sealing	1	—	C	
10H/0970098	Z.49084	RING, thrust	1	—	C	
	28433	SEAL, rubber, tag board, window	1	—	C	
5K/9107068	EEAS.146/2	SLEEVE, 1" long	QR	—	C	
5K/9107067	EEAS.146/6	SLEEVE, 1" long	QR	—	C	
5K/9107066	EEAS.146/12	SLEEVE, 1" long	QR	—	C	
5K/9107065	EEAS.146/20	SLEEVE, 3/4" long	QR	—	C	
	Page Engineering					
5CW/6634	A.257	SLEEVE, cable	1	—	C	
10H/0560220	CZ.49070	SOCKET, 25-way	1	—	C	
	Ward Brooke					
5CZ/6587	WB.1114/23	SPACER	1	—	C	
5F/9454141	NY.18007A	STRAP	QR	—	C	
5F/9138822	NY.3342	STUD	QR	—	C	
28FP/1004892	Oddie-213	STUD	5	—	C	

**ARMAMENT
ARMAMENT BOMBER ROLE**

Ref. No.	Part No.	Description						No. Off	Matl. Spec.	Cl. of Equip. M.R. L.M.	Plate No.
		1	2	3	4	5	6				
28FP/1004892	Oddie-213							5	—	C	
5CW/7547								1	—	C	
5CW/7540								2	—	C	
		Attaching parts for Ref. 5CW/7547 and 5CW/7540:—									
28S/1012450	A32/B10							7	—	C	
11A/5670								1	—	C	
28W/1206041	AGS.2035/B							8	—	C	
	5D/1566							1	—	C	
		Attaching parts for 5D/1566:—									
28M/10286	AGS.2001/A/1							4	—	C	
28S/9995324	A32/A16							4	—	C	
								1	—	C	
		Attaching parts for 5D/1566:—									
5CW/5839	8810-B104							2	—	B	
28434	E.A9.81.3917							1	—	C	
		Attaching parts for E.A9.81.3917:—									
28D/1214876	AS.1246/14B							4	—	C	
28M/1086618	AGS.2002/B/1							4	—	C	
	AS.2807-4-12							4	T.35 or T.45	LM	
28W/9419474	SP.15/B							4	—	C	
								16	—	C	
5X/9462951	HC.294							7	—	C	
5X/1010324	HC.296							4	—	C	
5X/7316	HC.1187							1	—	C	
5CW/4328								1	—	C	
5CW/4327								1	—	C	
28FP/1004893	Oddie-214							5	—	C	
28432.	E.A9.81.3921							1	—	—	
								1	—	—	
	E.A9.81.6395	PANEL, ARMAMENT, ASSEMBLY (MOD. 4430)						1	—	—	
		(For A/C not incorporating Mod. 2195)									
		Spares for this assembly are identical to assembly Part No. E.A9.81.6345 on page 66, except for the following deletion and addition									
		Delete:—									
10H/0970292	CZ.69733							1	—	C	
		Add:—									
10H/0970296	CZ.69738							1	—	C	
5D/1742	†							1	—	A	
		UNIT, bomb control, Mk. 2 (Pre-Mod. 2143)						1	—	—	

Ref. No.	Part No.							Description	No. Off	Matl. Spec.	Cl. of Equip. M.R. L.M.	Plate No.
		1	2	3	4	5	6					

**ARMAMENT
REMOVABLE EQUIPMENT**

Ref. No.	Part No.	Description	No. off	Matl. Spec.	Cl. of Equip.	Plate No.
					M.R. L.M.	
	E.A9.81.4183	REMOVABLE EQUIPMENT, INSTALLATION (MOD. 2196 S.O.O.) (For A/C not incorporating Mod. 2143) Spares for:—	—	—	—	
9/4612	†	ACCELEROMETER	1	—	A	
28D/9419452	A25/3B	Attaching parts for Ref. 9/4612:— Bolt, 4 BA	2	—	C	
30870	E.A9.81.4185	CRATE, MOUNTING, ASSEMBLY, FRAMES 10-11 Spares for:—	1	—	B	
	E.B6.81.1407	BOX, JUNCTION, ASSEMBLY	1	—	—	
5X/3181	CZ.23212/1	Spares for:— BLOCK , terminal	2	—	C	
28S/1200039	A31/B32	Attaching parts for CZ.23212/1:— Screw, 4 BA	2	—	C	
28W/9419448	AGS.2035/B	Washer	2	—	C	
33420	E.B7.81.347	BLOCK , terminal support	3	—	C	
28M/10287	AGS.2001/B/1	Attaching parts for E.B7.81.347:— Nut, 4 BA	2	—	C	
28S/1005622	A31/B28	Screw, 4 BA	2	—	C	
28W/9419474	SP.15/B	Washer	2	—	C	
	Cannon					
5X/8256	2209-10	CAP , dust	1	—	C	
5X/8520	2209-12	CAP , dust	1	—	C	
5E/4187	†	CABLE , Uninyvin 12	QR	—	C	
5E/4183	†	CABLE , Uninyvin 20	QR	—	C	
	E.B6.81.1409	LID, ASSEMBLY	1	—	—	
		Spares for:—				
32C/614		RUBBER , synthetic, 0"14 dia.	QR	DTD.552	C	
32368	E.A9.81.4357	SCREW	6	—	C	
1066	EEAS.28/2CU	WASHER	12	DTD.124	C	
1108	EEAS.42	WASHER , leather	6	—	C	
5X/1004083	Z.50211	LINK , commoning	1	—	C	
	Cannon					
5X/8357	AN.3102A-28-20P	PLUG	1	—	C	
		Attaching parts for AN.3102A-28-20P:—				
28M/10287	AGS.2001/B/1	Nut, 4 BA	4	—	C	
28S/9992522	A32/B16	Screw, 4 BA	4	—	C	
28W/9419474	SP.15/B	Washer	4	—	C	
	Cannon					
5X/8359	AN.3102A-36-9P	PLUG	1	—	C	
		Attaching parts for AN.3102A-36-9P:—				
28M/10288	AGS.2001/C/1	Nut, 2 BA	4	—	C	
28S/1011491	A32/C24	Screw, 2 BA	4	—	C	
28W/9419475	SP.15/C	Washer	4	—	C	
5K/9107067	EEAS.146/6	SLEEVE , 1" long	40	—	C	
5K/9107066	EEAS.146/12	SLEEVE , 1" long	34	—	C	
5K/9107065	EEAS.146/16	SLEEVE , 3/4" long	26	—	C	
5X/9450396	HC.490	TAG	29	—	C	
5X/9450224	HC.510	TAG	1	—	C	
		Attaching parts for E.B6.81.1407:—				
28D/9436920	A25/1C	Bolt, 2 BA	4	—	C	
28M/10288	AGS.2001/C/1	Nut, 2 BA	4	—	C	
28W/9419475	SP.13/C	Washer	4	—	C	

**ARMAMENT
REMOVABLE EQUIPMENT**

Ref. No.	Part No.	1	2	3	4	5	6	Description	off	Matl. Spec.	Cl. of Equip.	Plate No.
											M.R. L.M.	
	E.A9.81.4317							CABLE, ASSEMBLY, FA.61, FROM L.A.B.S. JUNCTION BOX TO PROTECTIVE RELAY UNIT	1	—	—	
								Consisting of:—				
5E/4183	†							CABLE, Uninyvin 20	QR	—	C	
5F/9013643	†							CONDUIT, flexible	QR	—	C	
26DK/6014	EEAS.111/2							FERRULE	1	—	C	
10H/0119877	CZ.60667							GASKET, outlet	1	—	C	
5X/9491421	Z.22431							GROMMET, No. 3	1	—	C	
10H/0970062	CZ.49180							OUTLET, straight	1	—	C	
5X/1529	CZ.18501/A							RING, clamp	1	—	C	
10H/0970088	CZ.62229							RING, sealing	1	—	C	
5K/9107067	EEAS.146/6							SLEEVE, 1" long	4	—	C	
5K/9107065	EEAS.146/16							SLEEVE, 3/4" long	4	—	C	
10H/0560110	CZ.49016							SOCKET, 4-way	1	—	B	
5X/9450396	HC.490							TAG	2	—	C	
	E.A9.81.4319							CABLE, ASSEMBLY, FA.62, FROM L.A.B.S. JUNCTION BOX TO PROTECTIVE RELAY UNIT	1	—	—	
								Consisting of:—				
5E/4183	†							CABLE, Uninyvin 20	QR	—	C	
5F/9013643	†							CONDUIT, flexible	QR	—	C	
26DK/6014	EEAS.111/2							FERRULE	1	—	C	
10H/0119877	CZ.60667							GASKET, outlet	1	—	C	
5X/9491421	Z.22431							GROMMET, No. 3	1	—	C	
10H/0970062	CZ.49180							OUTLET, straight	1	—	C	
5X/1529	CZ.18501/A							RING, clamp	1	—	C	
10H/0970088	CZ.62229							RING, sealing	1	—	C	
5K/9107067	EEAS.146/6							SLEEVE, 1" long	4	—	C	
5K/9107065	EEAS.146/16							SLEEVE, 3/4" long	4	—	C	
10H/0560511	CZ.49016/1							SOCKET, 4-way	1	—	B	
5X/9450396	HC.490							TAG	2	—	C	
	E.A9.81.4321							CABLE, ASSEMBLY, FA.63, FROM L.A.B.S. JUNCTION BOX "A" TO PROTECTIVE RELAY UNIT	1	—	—	
								Consisting of:—				
5E/4183	†							CABLE, Uninyvin 20	QR	—	C	
5F/9013643	†							CONDUIT, flexible	QR	—	C	
26DK/6014	EEAS.111/2							FERRULE	1	—	C	
10H/0119877	CZ.60667							GASKET, outlet	1	—	C	
5X/9491421	Z.22431							GROMMET, No. 3	1	—	C	
10H/0970062	CZ.49180							OUTLET, straight	1	—	C	
5X/1529	CZ.18501/A							RING, clamp	1	—	C	
10H/0970088	CZ.62229							RING, sealing	1	—	C	
5K/9107067	EEAS.146/6							SLEEVE, 1" long	4	—	C	
5K/9107065	EEAS.146/16							SLEEVE, 3/4" long	2	—	C	
10H/0560120	CZ.49017							SOCKET, 6-way	1	—	B	
5X/9450396	HC.490							TAG	1	—	C	
	E.A9.81.4323							CABLE, ASSEMBLY, FA.64, FROM L.A.B.S. JUNCTION BOX TO PROTECTIVE RELAY UNIT	1	—	—	
								Consisting of:—				
5E/4183	†							CABLE, Uninyvin 20	QR	—	C	
5F/2035	†							CONDUIT, flexible	QR	—	C	
18864	EEAS.111/3							FERRULE	1	—	C	

**ARMAMENT
REMOVABLE EQUIPMENT**

Ref. No.	Part No.	Description	No. off	Matl. Spec.	Cl. of Equip.	Plate No.
					M.R. L.M.	
		1 2 3 4 5 6				
	E.A9.81.4187	FRAME, ASSEMBLY	1	—	—	
		Spares for:—				
33419	E.A9.81.4193	SPIGOT	2	—	C	
		Attaching parts for E.A9.81.4193:—				
28M/9480017	AGS.2001/E/1	Nut, 1/4" BSF	1	—	C	
39586	E.A9.81.4195	Piece, distance	1	—	C	
28W/16250	AS.1905/C6	Washer, saddle	2	—	C	
		Attaching parts for E.A9.81.4187:—				
28FP/10	A.417	Pin, "pip"	2	—	C	
5D/1963	†	FUSE , charge unit (generator)	Ref.	—	—	
		Attaching parts for Ref. 5D/1963:—				
28D/1010031	A25/8E	Bolt, 1/4" BSF	4	—	C	
28W/9419405	SP.15/E	Washer	4	—	C	
5D/1964	†	RELAY , protective unit	Ref.	—	—	
		Attaching parts for Ref. 5D/1964:—				
28D/9436920	A25/1C	Bolt, 2 BA	4	—	C	
28M/1278190	AGS.2001/C/1	Nut, 2 BA	4	—	C	
28W/9419402	SP.13/C	Washer	4	—	C	
5F/9434857	HV.3341	STRAP	QR	—	C	
5F/9138822	NY.3342	STUD	QR	—	C	
	E.A9.81.5971	PANEL, CONTROL, ASSEMBLY (MOD. 4331-S.O.O.) (PRE-MOD. 4458) Spares for:—	1	—	—	
5CZ/7120	WARD BROOKE WB/UN/1146/S/ 2/W	BLOCK , terminal	1	—	C	
		Attaching parts for WB/UN/1146/S/2/W:—				
28S/1016732	E.A9.81.6147	Pillar, fixing	2	—	—	
28W/1206041	A32/B18	Screw, 4 BA	2	—	C	
	AGS.2035/B	Washer	2	—	C	
5E/3898	†	CABLE , unitersil 12	QR	—	C	
	E.A9.81.5987	CABLE, ASSEMBLY, N.110A, FROM BOMB SELECTOR SWITCH, BOMB ON STATION AND SECONDARY RELEASE TO CABLE ASSEMBLY N.110 Consisting of:—	1	—	—	
33H/	RAYCHEM LTD. S.1005	ADHESIVE	QR	—	—	
5K/5920	RAYCHEM LTD. 222A-074-3	BOOT	1	—	C	
5X/7747	HELLERMANN DEUTSCH PS.22044	PIN , contact	24	—	C	
5X/	HELLERMANN DEUTSCH HAN 3106E-24- 28P-040 Type 2	PLUG , free	1	—	—	
5K/9107067	EEAS.146/6	SLEEVE , 1" long	QR	—	C	
5K/3366	EEAS.146/6	SLEEVE , 2" long	QR	—	C	
5K/4449	EEAS.146/16	SLEEVE , 1" long	QR	—	C	
5K/9107065	EEAS.146/20	SLEEVE , 3/4" long	QR	—	C	
5X/9709513	HC.294D	TAG	4	—	C	
5X/1010324	HC.296	TAG	3	—	C	
5X/7316	HC.1187	TAG	2	—	C	
5F/	RAYCHEM LTD. NT.9	TUBING	QR	—	—	
5E/9516201	†	WIRE , equipment, type B, 19/0076, black ...	QR	—	C	

**ARMAMENT
REMOVABLE EQUIPMENT**

Ref. No.	Part No.	Description						No. off	Matl. Spec.	Cl. of Equip. M.R. L.M.	Plate No.
		1	2	3	4	5	6				
	E.A9.81.5985	CABLE, ASSEMBLY, N.111, FROM CONTROL UNIT DCU.9A, RECEPTACLE, RELAY AND BLOCK CONNECTOR TO CABLE ASSEMBLIES NA.47, N.140 AND EARTH Consisting of:—						1	—	—	
	Raychem Ltd. S1005	ADHESIVE						QR	—	—	
	Raychem Ltd. 208A-064-P(M)	BOOT						1	—	—	
	208A-075-P(M)	BOOT						2	—	—	
	208A-098-P(M)	BOOT						1	—	—	
5E/3898	†	CABLE, unifersil 12						QR	—	C	
5E/3894	†	CABLE, unifersil 20						QR	—	C	
5X/7543	HC.1350	FERRULE						1	—	C	
5X/7544	HC.1351	FERRULE						1	—	C	
5X/7545	HC.1352	FERRULE						4	—	C	
	Hellermann Deutsch	PIN, contact						3	—	C	
5X/7749	PS.22040	PIN, contact						3	—	—	
	PS.22136	PIN, contact						3	—	—	
	PS.22140	PIN, contact						3	—	—	
	Hellermann Deutsch	PLUG, free						1	—	—	
	HAN 310E-24- 11P-040 Type 2	PLUG, free						1	—	—	
	Hellermann Deutsch	SLEEVE						47	—	—	
	CD107-122	SLEEVE						1	—	—	
	CD107-162	SLEEVE						12	—	—	
	CD122-162	SLEEVE						4	—	—	
	CD191-245	SLEEVE						4	—	—	
	Raychem Ltd. 461A-016-3-02	SLEEVE, 3-finger						2	—	—	
5K/ 5K/9107070	EEAS.146/0000	SLEEVE, 1" long						QR	—	C	
5K/3368	EEAS.146/00	SLEEVE, 2" long						QR	—	C	
5K/9107068	EEAS.146/2	SLEEVE, 1" long						QR	—	C	
5K/9107067	EEAS.146/6	SLEEVE, 1" long						QR	—	C	
5K/9107065	EEAS.146/16	SLEEVE, 3/4" long						QR	—	C	
5K/9107065	EEAS.146/20	SLEEVE, 3/4" long						QR	—	C	
	Hellermann Deutsch	SOCKET, free						1	—	—	
	HAN310E-20- 275-040 Type 2	SOCKET, free						1	—	—	
	HAN3106E-28- 115-040 Type 2	SOCKET, free						1	—	—	
	HAN3101E-40- 95-040 Type 2	SOCKET, coupler, free						1	—	—	
	Hellermann Deutoch	SOCKET, contact						47	—	—	
	PS.22033	SOCKET, contact						12	—	—	
	PS.22042	SOCKET, contact						1	—	—	
	PS.22162	SOCKET, contact						1	—	—	
	PS.22164	SOCKET, contact						9	—	—	
	PS.22166	SOCKET, contact						9	—	—	
5X/1010324	HC.296	TAG						2	—	—	
5X/7880	HC.304A	TAG						2	—	—	
5X/7220	HC.314A	TAG						4	—	—	
5X/9462957	HC.316A	TAG						5	—	—	

**ARMAMENT
REMOVABLE EQUIPMENT**

Ref. No.	Part No.	Description						off	Matl. Spec.	Cl. of Equip.	Plate No.
		1	2	3	4	5	6			M.R. L.M.	
	Reychem Ltd.										
	NT. 16							QR	—	—	
	NT. 22							QR	—	—	
	NT. 32							QR	—	—	
5E/9424124	†							QR	—	C	
32A/0119481	†							QR	—	C	
	Ward Brooke										
	WB/NY/1110/ B/2							1	—	—	
5L/9959118	†							1	—	C	
41137	E.A9.81.5551							1	—	C	
	E.G.481.311							1	—	—	
5K/1011139	SP.40/A12							1	—	C	
	Page Engineering										
5CX/5384	C.500/C/7							1	—	C	
	E.A9.81.5973							1	—	—	
	E.A9.81.5975							1	—	—	
	E.A9.81.5983							1	—	—	
28D/1010658	A25/1B							3	—	C	
28D/1008149	A25/2B							3	—	C	
28W/9419474	SP.15/B							6	—	C	
28FP/	Dzus-PRG 3½							4	—	—	
	Hellermann										
	Deutsch										
	PC.14021							11	—	—	
	Hellermann										
	Deutsch										
	HAN3100E-20- 27P-014 Type 2							1	—	—	
	Attaching parts for HAN.3100E-20-27P-014 Type 2:—										
28M/10287	AGS.2001/B/1							4	—	C	
28S/1200034	A31/B16							4	—	C	
28W/1206041	AGS.2035/B							4	—	C	
	Hendrey										
5CW/10678	D.5900							1	—	B	
	Attaching parts for D.5900:—										
28D/1009984	A25/7B							3	—	C	
28M/10287	AGS.2001/B/1							3	—	C	
28W/9419474	SP.15/B							3	—	C	
	Page Engineering										
5CW/6634	A.257							1	—	C	
5K/9107066	EEAS.146/12							QR	—	C	
5K/9107065	EEAS.146/20							QR	—	C	
	Ward Brooke										
	WCD 1114/23							3	—	—	
5CW/7540	†							1	—	C	
5CW/7544	†							1	—	C	
5CW/7748	†							1	—	C	
	Attaching parts for switches:—										
28S/1012450	A32/B10							3	—	C	
28S/9992522	A32/B16							3	—	C	

**ARMAMENT
REMOVABLE EQUIPMENT**

Ref. No.	Part No.	Description						No. off	Matl. Spec.	Cl. of Equip. M.R. L.M.	Plate No.
		1	2	3	4	5	6				
11A/5670 28W/1206041 3526	† AGS.2035/B EEAS.28/2HP	Screw, fillister head (As required)	2	—	C		
		Washer (As required)	8	—	C		
		Washer, spacing (As required)	2	—	C		
5X/9462745	HC.304	TAG	2	—	C		
5X/9462957	HC.316A	TAG	2	—	C		
5X/7316	HC.1187	TAG	2	—	C		
5X/7214	HC.1189	TAG	1	—	C		
5E/9516201	†	WIRE , equipment, type B, 19/0076, black	QR	—	C		
5E/9424124	†	WIRE , equipment, type 3, 40/0076, black	QR	—	C		
	E.A9.81.6353	PANEL, CONTROL, ASSEMBLY (MOD. 4458)	1	—	—		
		Spares for this assembly are identical to assembly Part No. E.A9.81.5971 on page 72, except for the following deletions and additions									
		Delete:—									
	E.A9.81.5987	CABLE, ASSEMBLY, N.110A	1	—	—		
	E.A9.81.5973	PANEL, SUB-ASSEMBLY	1	—	—		
		Add:—									
	E.B6.81.11259	CABLE, ASSEMBLY, N.110A, FROM BOMB SELECTOR SWITCH, BOMB ON STATION, SECONDARY RELEASE AND LIGHTING RHEOSTAT DIMMER TO CABLE ASSEMBLY N.110	1	—	—		
		Spares for this assembly are identical to assembly Part No. E.A9.81.5987 on page 72, except for the following deletion and additions									
		Delete:—									
5E/9516201	†	WIRE , equipment, type B, 19/0076, black	QR	—	C		
		Add:—									
5E/1934440	†	CABLE , Minyvin 20	QR	—	C		
5X/1010324	HC.296	TAG	2	—	C		
5CW/12349	THORN K114/6 E.B6.81.11291 E.A9.81.6399	KNOB , dimer switch	1	—	C		
		LABEL , engraved, F.C.U. lights	1	—	—		
		PANEL, SUB-ASSEMBLY	1	—	—		
		Spares for this assembly are identical to assembly Part No. E.A9.81.5973 on page 74, except for the following deletion and addition									
		Delete:—									
	E.A9.81.5975	PANEL , engraved	1	—	—		
		Add:—									
	E.A9.81.6401	PANEL , engraved	1	—	—		
5CW/6809	THORN 80/10/0946	SWITCH , dimmer	1	—	C		
		Attaching parts for E.A9.81.5971 or E.A9.81.6353:—									
28S/1011490	A32/C16	Screw, 2 BA	6	—	C		
28W/9419475	SP.13/C	Washer	6	—	C		

Ref. No.	Part No.							No. off	Matl. Spec.	Cl. of Equip.	Plate No.
		1	2	3	4	5	6			M.R. L.M.	

**ARMAMENT
REMOVABLE EQUIPMENT**

Ref. No.	Part No.	Description	No. off	Matl. Spec.	Cl. of Equip.	Plate No.
					M.R. L.M.	
		1 2 3 4 5 6				
	E.A9.81.3377	REMOVABLE EQUIPMENT, INSTALLATION (MOD. 2143-S.O.O.) (For A/C not incorporating Mod. 2196) Spares for:—	—	—	—	
9/4612	†	ACCELEROMETER	1	—	A	
28D/9419452	A25/3B	Attaching parts for Ref. 9/4612:— Bolt, 4 BA	2	—	C	
	E.A9.81.6289	BOX, DISTRIBUTION, ASSEMBLY (MOD. 4344) ... (PRE-MOD. 4459) Spares for:—	1	—	—	
	E.A9.81.3369	BAR, mounting, miniature relay	2	L.72	LM	
28M/10286	AGS.2001/A/1	Attaching parts for E.A9.81.3369:— Nut, 6 BA	2	—	C	
28S/9995324	A32/A16	Screw, 6 BA	2	—	C	
26678	E.A1.81.410	BAR, TERMINAL, ASSEMBLY	1	—	B	
5077	BULGIN T.5	Spares for:— HEAD, terminal, moulded, 4 BA	2	—	C	
28M/1278189	AGS.2001/B/1	Attaching parts for E.A1.81.410:— Nut, 4 BA	2	—	C	
28S/1200066	A33/B20	Screw, 4 BA	2	—	C	
5X/6395	CZ.62879	BLOCK, fuse, 4-way	2	—	C	
28S/1200080	A32/B8	Attaching parts for CZ.62879:— Screw, 4 BA	2	—	C	
28W/9129100	SP.56/B	Washer	2	—	C	
5X/3181	CZ.23212/1	BLOCK, terminal, 20-way	1	—	C	
28M/1278189	AGS.2001/B/1	Attaching parts for CZ.23212/1:— Nut, 4 BA	2	—	C	
28S/1009187	AS.2360/050	Piece, distance	2	L.72	LM	
	A32/B36	Screw, 4 BA	2	—	C	
	E.A9.81.6305	BOX, DISTRIBUTION, SUB-ASSEMBLY	1	—	—	
27403	E.A9.81.3431	Spares for:— ANGLE	1	—	C	
	E.A9.81.3361	ANGLE, ASSEMBLY	1	—	—	
	E.A9.81.3362	ANGLE, ASSEMBLY	1	—	—	
	E.A9.81.3359	ANGLE, ASSEMBLY	1	—	—	
28FP/9110452	ODDIE 324	Spares for:— CLIP	2	—	C	
	E.A9.81.3353	CASE, SHELL, ASSEMBLY	1	—	—	
28FP/9993392	ODDIE 212	Spares for:— CLIP	4	—	C	
	E.A9.81.5687	COVER, fuse, assembly (Mod. 3735)	1	—	—	
28FP/1004892	ODDIE 213	Attaching parts for E.A9.81.5687:— Stud	2	—	C	
28FP/1004893	ODDIE 214	Washer	2	—	C	
34359	E.A9.81.5779	DOOR, FRONT, ASSEMBLY (MOD. 3875)	1	—	C	
28FP/9993392	ODDIE 212	Spares for:— CLIP	2	—	C	
28N/9511950	AS.1878	HINGE	QR	—	C	
28FP/1004892	ODDIE 213	Attaching parts for E.A9.81.5779:— Stud	2	—	C	
28FP/1004893	ODDIE 214	Washer	2	—	C	

**ARMAMENT
REMOVABLE EQUIPMENT**

Ref. No.	Part No.	Description						No. off	Matl. Spec.	Cl. of Equip. M.R. L.M.	Plate No.
		1	2	3	4	5	6				
33415	E.A9.81.3355	DOOR, REAR, ASSEMBLY						1	—	C	
		Spares for:—									
3823	EEAS.142	TERMINAL , earth						1	—	C	
		Attaching parts for E.A9.81.3355:—									
28FP/1004892	ODDIE 213	Stud:						2	—	C	
28FP/1004893	ODDIE 214	Washer						2	—	C	
28N/9511950	AS.1878	HINGE						QR	—	C	
	E.A9.81.6137	PANEL , relay						1	L.72	—	
		Attaching parts for E.A9.81.6137:—									
28FP/1200135	ODDIE 325	Stud:						6	—	C	
28FP/9403521	ODDIE 326	Washer						6	—	C	
	E.A9.81.3365	PLATE, BOTTOM, ASSEMBLY						1	—	—	
		Spares for:—									
33417	E.A9.81.3947	STUD , assembly						4	—	C	
		Attaching parts for E.A9.81.3365:—									
28M/1278189	AGS.2001/B/1	Nut, 4 BA						10	—	C	
28S/9992525	A32/B12	Screw, 4 BA						10	—	C	
28W/9419474	SP.15/B	Washer						10	—	C	
	5E/4189	† CABLE , Uninyvin 8						QR	—	C	
	5E/4187	† CABLE , Uninyvin 12						QR	—	C	
	5CY/4520	† CAP , protecting, circuit breakers						3	—	C	
	10H/23998	† CARRIER , fuse						1	—	C	
5CY/9992777	†	CIRCUIT-BREAKER , type A4						2	—	C	
5CY/2563	†	CIRCUIT-BREAKER , type A5						1	—	C	
		Attaching parts for Ref. 5CY/9992777 and 5CY/2563:—									
28S/9992524	A32/A8	Screw, 6 BA						2	—	C	
	E.A9.81.6143	CONNECTOR , cable (Mod. 4348)						1	BSS.899	—	
	E.A9.81.6145	CONNECTOR , cable (Mod. 4348)						1	BSS.899	—	
32A/0119481	†	CORD , nylon, PVC covered						QR	—	C	
10H/21791	†	FUSE , dummy						5	—	C	
10H/21797	†	FUSE , 2.5 amp, type S						3	—	C	
10H/23801	†	FUSE , 20 amp, type S						1	—	C	
5X/6237	EEAS.71/1	LINK , commoning, 2-way						2	—	C	
5X/6238	EEAS.71/3	LINK , commoning, 4-way						1	—	C	
5X/1004082	Z.50210	LINK , 2-way						1	—	C	
5X/1004083	Z.50211	LINK , 3-way						1	—	C	
5X/6172	Z.50212	LINK , 4-way						1	—	C	
5X/9400083	†	LUG , 50 amp.						5	—	C	
5X/	ERMA 12110	LUG , 24 amp.						4	—	—	
5X/9400384	ERMA 12104	LUG , 12 amp.						1	—	C	
	HELLERMANN DEUTSCH	PIN , contact						33	—	C	
5X/7755	PS.22033	PIN , contact						10	—	C	
5X/7756	PS.22042	PIN , contact						8	—	C	
5X/7753	PS.22048	PIN , contact						8	—	C	
	HELLERMANN DEUTSCH	PLUG , filler						28	—	C	
5X/7886	PC.14021	PLUG , filler						6	—	C	
5X/10497	PC.14031	PLUG , filler						6	—	C	
	CANNON	PLUG , fixed						1	—	C	
5X/7997	MS.3102E-10SL-4P	PLUG , fixed						1	—	—	
5X/	MS.3102E-20-5P	PLUG , fixed						1	—	—	

**ARMAMENT
REMOVABLE EQUIPMENT**

Ref. No.	Part No.	Description	No. off	Matl. Spec.	Cl. of Equip.	Plate No.
					M.R. L.M.	
		1 2 3 4 5 6				
	CANNON					
5X/7771	MS.3102E-22-14P	PLUG , fixed	1	—	C	
5X/	MS.3102-28-6P	PLUG , fixed	1	—	—	
		Attaching parts for plugs:—				
28M/10286	AGS.2001/A/1	Nut, 6 BA (As required)	4	—	C	
28M/1278189	AGS.2001/B/1	Nut, 4 BA (As required)	4	—	C	
28S/9995324	A32/A16	Screw, 6 BA (As required)	4	—	C	
28S/9992522	A32/B16	Screw, 4 BA (As required)	4	—	C	
10F/0530473	4190 HD	RELAY , miniature, sealed	2	—	C	
43088	E.A9.81.6139	RESISTOR, ASSEMBLY (Mod. 4348)	1	—	C	
		Spares for:—				
	OXLEY LTD.					
10H/22535	156/SO/LP	BARB , insulator, type 156	2	—	C	
10W/0113470	†	RESISTOR , 200 ohms, type RWV4-K	1	—	C	
	RAYCHEM LTD.					
5F/	CRN. Size 1	SLEEVE , thermofit, 0"4 long	2	—	—	
		Attaching parts for E.A9.81.6139:—				
28M/1278189	AGS.2001/B/1	Nut, 4 BA	2	—	C	
28S/9995376	A32/B20	Screw, 4 BA	2	—	C	
28W/9419486	SP.16/B	Washer	2	—	C	
	HELLERMANN DEUTSCH					
5X/	CD.065.122	SLEEVE , cable	8	—	—	
5K/9107069	EEAS.146/00	SLEEVE , 1" long	QR	—	C	
5K/9107066	EEAS.146/12	SLEEVE , 1" long	QR	—	C	
5K/9107065	EEAS.146/16	SLEEVE , 3/4" long	QR	—	C	
5K/4446	EEAS.146/20	SLEEVE , 1" long	QR	—	C	
	HELLERMANN DEUTSCH					
5X/	HAN-3102E-28-20S-038	SOCKET , fixed	1	—	—	
5X/	HAN-3102E-28-21S-038	SOCKET , fixed	1	—	—	
	CANNON					
5X/11497	MS.3102E-12S-3S	SOCKET , fixed	1	—	C	
5X/11498	MS.3102E-18-4S	SOCKET , fixed	1	—	C	
5X/11499	MS.3102E-18-19S	SOCKET , fixed	1	—	C	
5X/11500	MS.3102E-20-27S	SOCKET , fixed	1	—	C	
5X/11501	MS.3102E-22-27S	SOCKET , fixed	1	—	C	
		Attaching parts for sockets:—				
28M/10286	AGS.2001/A/1	Nut, 6 BA (As required)	4	—	C	
28M/1278189	AGS.2001/B/1	Nut, 4 BA (As required)	4	—	C	
28S/9995324	A32/A16	Screw, 6 BA (As required)	4	—	C	
28S/9992522	A32/B16	Screw, 6 BA (As required)	4	—	C	
28W/9419465	SP.13/B	Washer (As required)	4	—	C	
5CW/6717	†	SWITCH , magnetic relay, type S.7	2	—	B	
5CW/6719	†	SWITCH , magnetic relay, type S.9	1	—	B	
		Attaching parts for Ref. 5CW/6717 and 5CW/6719:—				
28M/1200096	A27/AT	Nut, 6 BA	4	—	C	
5X/7009	HC.300	TAG	1	—	C	
5X/9462745	HC.304	TAG	2	—	C	

**ARMAMENT
REMOVABLE EQUIPMENT**

Ref. No.	Part No.	Description						No. off	Matl. Spec.	Cl. of Equip. M.R. L.M.	Plate No.
		1	2	3	4	5	6				
5K/9107070	EEAS.146/0000							QR	—	C	
5K/3369	EEAS.146/0000							QR	—	C	
5K/9107069	EEAS.146/00							QR	—	C	
5K/3368	EEAS.146/00							QR	—	C	
5K/9107068	EEAS.146/2							QR	—	C	
5K/9107067	EEAS.146/6							QR	—	C	
5K/9107066	EEAS.146/12							QR	—	C	
5K/9107065	EEAS.146/16							QR	—	C	
5K/9107065	EEAS.146/20							QR	—	C	
	HELLERMANN DEUTSCH										
5X/	HAN-3106E-20- 27S-040							1	—	—	
5X/	HAN-3106E-28- 11S-040							1	—	—	
5X/	HAN-3101E-40- 9S-040							1	—	—	
	HELLERMANN DEUTSCH										
5X/7755	PS.22033							56	—	—	
5X/7756	PS.22042							16	—	—	
5X/10558	PS.22162							1	—	—	
5X/8468	PS.22164							1	—	—	
5X/9916	PS.22166							9	—	—	
5F/9434858	HV.3254							QR	—	C	
5F/9138823	NT.3255							QR	—	C	
5X/9709513	HC.294D							3	—	C	
5X/1010324	HC.296							5	—	C	
5X/7221	HC.316A							5	—	C	
5X/7316	HC.1187							2	—	C	
	RAYCHEM LTD.										
5F/	NT.16							QR	—	—	
5F/	NT.22							QR	—	—	
5F/	NT.32							QR	—	—	
5E/4187	†							QR	—	C	
32A/0119481	†							QR	—	C	
5L/9959118	†							1	—	C	
41137	E.A9.81.5551							1	—	C	
	E.G4.81.311							1	—	—	
	PAGE ENG.										
5CX/5384	C500/C/7							1	—	C	
	E.A9.81.5973							1	—	—	
	E.A9.81.5975							1	—	—	
	E.A9.81.5983							1	—	—	
	Attaching parts for E.A9.81.5983:—										
28D/1010658	A25/1B							3	—	C	
28D/1008149	A25/2B							3	—	C	
28W/9419474	SP.15/B							6	—	C	
28FP/	DZUS PRG 3½							4	—	—	
	HELLERMANN DEUTSCH										
5X/7748	PS.22025							14	—	C	
	HELLERMANN DEUTSCH										
5X/7886	PC.14021							11	—	C	

**ARMAMENT
REMOVABLE EQUIPMENT**

Ref. No.	Part No.	Description	No. off	Matl. Spec.	Cl. of Equip.	Plate No.
					M.R. L.M.	
		1 2 3 4 5 6				
5X/	HELLERMANN DEUTSCH HAN-3100E-20- 27P-014 Type 2	PLUG , fixed	1	—	—	
		Attaching parts for HAN-3100E-20-27P-014:—				
28M/10286	AGS.2001/A/1	Nut, 6 BA	4	—	C	
28S/9419437	A31/A16	Screw, 6 BA	4	—	C	
28W/9419437	SP.15/A	Washer	4	—	C	
5CW/10678	HENDREY D.5900	RELAY , type 20B, No. 3	1	—	B	
		Attaching parts for D5900:—				
28D/1009984	A25/7B	Bolt, 4 BA	3	—	C	
28M/1278189	AGS.2001/B/1	Nut, 4 BA	3	—	C	
28W/9419474	SP.15/B	Washer	3	—	C	
	PAGE ENG. A.257	SLEEVE	1	—	C	
5CW/6634	†	SWITCH , S.P.	1	—	C	
5CW/7544	†	SWITCH , S.P.	1	—	C	
5CW/7540	†	SWITCH , S.P.	1	—	C	
5CW/7748	†	SWITCH , D.P.	1	—	C	
		Attaching parts for switches:—				
28S/1012450	A32/B10	Screw, 4 BA (As required)	3	—	C	
28S/9992522	A32/B16	Screw, 4 BA (As required)	3	—	C	
11A/5670	†	Screw, fillister head (As required)	2	—	C	
28W/1206041	AGS.2035/B	Washer (As required)	2	—	C	
3526	EEAS.28/2HP	Washer, spacing (As required)	2	—	C	
5X/9462745	HC.304	TAG	2	—	C	
5X/7221	HC.316A	TAG	2	—	C	
5X/7316	HC.1187	TAG	2	—	C	
5X/7214	HC.1189	TAG	1	—	C	
5E/9516201	†	WIRE , equipment, type B, 19/0076, black ...	QR	—	C	
5E/9424124	†	WIRE , equipment, type 3, 40/0076, black ...	QR	—	C	
5E/9102378	†	WIRE , tinned copper, 26 SWG	QR	—	C	
	E.A9.81.6355	PANEL, CONTROL, ASSEMBLY (MOD. 4459) ...	1	—	—	
		Spares for this assembly are identical to assembly Part No. E.A9.81.6127 on page 80, except for the following deletions and additions				
		Delete:—				
	E.A9.81.6129	CABLE, ASSEMBLY, N.111	1	—	—	
	E.A9.81.5973	PANEL, CONTROL, SUB-ASSEMBLY	1	—	—	
		Add:—				
	E.A9.81.6363	CABLE, ASSEMBLY, N.111, FROM CONTROL UNIT DCU.9A, RECEPTACLE, RELAY AND SWITCHES TO A.M.A.C. DISTRIBUTION BOX, CABLE, ASSEMBLY, NA.49 AND EARTH	1	—	—	
		Spares for this assembly are identical to assembly Part No. E.A9.81.6129 on page 80, except for the following additions				
		Add:—				
5K/	RAYCHEM LTD. 202A-174-3-G11	BOOT , straight	2	—	—	
5X/1010324	HC.296	TAG	2	—	C	

**ARMAMENT
REMOVABLE EQUIPMENT**

Ref. No.	Part No.	Description						No. off	Matl. Spec.	Cl. of Equip. M.R. L.M.	Plate No.
		1	2	3	4	5	6				
5CW/12349	THORN K114/6	KNOB , dimmer switch						1	—	C	
	E.B6.81.11291	LABEL , engraved, F.C.U. lights						1	—	—	
	E.A9.81.6399	PANEL, SUB-ASSEMBLY						1	—	—	
		Spares for this assembly are identical to assembly Part No. E.A9.81.5973 on page 81, except for the following deletion and addition									
	E.A9.81.5975	Delete:— PANEL , engraved						1	—	—	
	E.A9.81.6401	Add:— PANEL , engraved						1	—	—	
5CW/6809	THORN 80/10/0946	SWITCH , dimmer						1	—	C	
28S/1011490	A32/C16	Attaching parts for E.A9.81.6127 or E.A9.81.6355 Screw, 2 BA						6	—	C	
	E.A9.81.5641	PANEL, CONTROL, T145, ASSEMBLY (MOD. 3735) Spares for:—						1	—	—	
32A/0119481	M.L. AVIATION YT.3740-10C †	CABLE , assembly						1	—	—	
	PAGE ENG. A259	CORD , P.V.C., nylon covered						QR	—	C	
5L/9959118 41137	E.A9.81.5551	FILAMENT						1	—	C	
	E.G4.81.311	FLAP , spring, assembly, secondary release switch						1	—	C	
5CZ/6114 5D/1541	DOWTY C.5175Y Mk.66 †	GUARD , bomb selector switch (Make from 5CW/5765)						1	—	—	
		INDICATOR , magnetic, 3-way						1	—	C	
28M/1086618	AGS.2002/B/1	INDICATOR , magnetic						1	—	C	
	28S/9992522	Attaching parts for Ref. 5D/1541:— Nut, 4 BA						2	—	C	
28W/9419465	A32/B16	Screw, 4 BA						2	—	C	
	SP.13/B	Washer						2	—	C	
5CZ/5027	E.A9.81.5643 Berco	PANEL , control, engraved						1	—	—	
	L25/CB	RHEOSTAT , 200 ohms						1	—	B	
28S/1011490	A32/C16	Attaching parts for L25/CB:— Screw, 2 BA						2	—	C	
	28W/1006946	Washer						2	—	C	
5CW/6634 5CW/7540 5CW/7541 5CW/7544 5CW/7748	PAGE ENG. A257	SLEEVE , cable						1	—	C	
	†	SWITCH , S.P.						1	—	C	
	†	SWITCH , S.P.						1	—	C	
	†	SWITCH , S.P.						1	—	C	
	†	SWITCH , D.P.						1	—	C	
28S/9992522 11A/5670 28W/1206041 3526	A32/B16	Attaching parts for switches:— Screw, 4 BA (As required)						8	—	C	
	†	Screw, fillister head (As required)						2	—	C	
	AGS.2035/B	Washer (As required)						10	—	C	
	EEAS.28/2HP	Washer, spacing (As required)						4	—	C	
10F/1786	†	SWITCH , type 1290						1	—	B	
5CW/6462	PAGE ENG. C180/C/7	SWITCH , push						1	—	B	

**ARMAMENT
REMOVABLE EQUIPMENT**

Ref. No.	Part No.	Description	No. off	Matl. Spec.	Cl. of Equip.		Plate No.
					M.R.	L.M.	
		1 2 3 4 5 6					
34306	E.A9.81.5531	TAG, BOARD, ASSEMBLY Spares for:—	1	—		B	
	B.T.H. GJ 4M	RECTIFIER Attaching parts for GJ4M:—	1	—		—	
28M/9136152	A54/B	Nut, 4 BA	2	—		C	
28W/9437455	SP.25/B	Washer	1	—		C	
	Z.113384 TUCKER EYELET CO. S.76	RESISTOR TAG Attaching parts for E.A9.81.5531:—	1	—		—	
28M/10327	AGS.2002/B/1	Nut, 4 BA	3	—		C	
28S/9992525	A32/B12	Screw, 4 BA	3	—		C	
28W/9419465	SP.13/B	Washer	3	—		C	
5X/7593	HC.294D	TAG	2	—		C	
5X/7297	HC.296	TAG	1	—		C	
5X/7316	HC.1187	TAG	4	—		C	
5E/9424113	†	WIRE , equipment, type 3, 23/0076, black ...	QR	—		C	
5E/9102376	†	WIRE , tinned copper, 22 SWG	QR	—		C	
5E/9102380	†	WIRE , tinned copper, 30 SWG	QR	—		C	
28S/1011490	A32/C16	Attaching parts for E.A9.81.5641:— Screw, 2 BA	6	—		C	

**ARMAMENT
ARMAMENT BOMBER ROLE**

Ref. No.	Part No.	Description	No. off	Matl. Spec.	Cl. of Equip.	Plate No.
					M.R. L.M.	
SUMMARY OF STOCK ITEMS USED ON ARMAMENT BOMBER ROLE, ASSEMBLY						
28D/1008147	A25/1A	Bolt, 6 BA, hex. head, "45 long			C
28D/9128783	A25/4A	Bolt, 6 BA, hex. head, "75 long			C
28D/1008148	A25/5A	Bolt, 6 BA, hex. head, "85 long			C
28D/1010658	A25/1B	Bolt, 4 BA, hex. head, "5 long			C
28D/1008149	A25/2B	Bolt, 4 BA, hex. head, "6 long			C
28D/9140638	A25/4B	Bolt, 4 BA, hex. head, "8 long			C
28D/9436920	A25/1C	Bolt, 2 BA, hex. head, "55 long			C
28D/9133011	A25/2C	Bolt, 2 BA, hex. head, "65 long			C
28D/9133012	A25/3C	Bolt, 2 BA, hex. head, "75 long			C
28D/1200119	A25/4C	Bolt, 2 BA, hex. head, "85 long			C
28D/9133013	A25/5C	Bolt, 2 BA, hex. head, "95 long			C
28D/7002428	A25/6C	Bolt, 2 BA, hex. head, 1"05 long			C
28D/1010030	A25/7C	Bolt, 2 BA, hex. head, 1"15 long			C
28D/1011019	A25/8C	Bolt, 2 BA, hex. head, 1"25 long			C
28D/9140644	A25/9C	Bolt, 2 BA, hex. head, 1"35 long			C
28D/9435710	A25/11C	Bolt, 2 BA, hex. head, 1"55 long			C
28D/9140647	A25/14C	Bolt, 2 BA, hex. head, 1"85 long			C
28D/9453970	A25/15C	Bolt, 2 BA, hex. head, 1"95 long			C
28D/1008151	A25/4E	Bolt, 1/4" BSF, hex. head, "9 long			C
28D/1011240	A25/5E	Bolt, 1/4" BSF, hex. head, 1" long			C
28D/1008145	A25/6E	Bolt, 1/4" BSF, hex. head, 1"1 long			C
28D/1011242	A25/7E	Bolt, 1/4" BSF, hex. head, 1"2 long			C
28D/1011246	A25/11E	Bolt, 1/4" BSF, hex. head, 1"6 long			C
28D/1011254	A25/2G	Bolt, 5/16" BSF, hex. head, "75 long			C
28D/1202771	A25/4G	Bolt, 5/16" BSF, hex. head, "95 long			C
28D/7002427	A25/6G	Bolt, 5/16" BSF, hex. head, 1"15 long			C
28D/1011258	A25/8G	Bolt, 5/16" BSF, hex. head, 1"35 long			C
28D/1011268	A25/33G	Bolt, 5/16" BSF, hex. head, 3"85 long			C
28D/1011300	A25/7J	Bolt, " BSF, hex. head, 1"35 long			C
28D/1011301	A25/8J	Bolt, " BSF, hex. head, 1"45 long			C
28D/1011302	A25/10J	Bolt, " BSF, hex. head, 1"65 long			C
28D/1212751	A25/11J	Bolt, " BSF, hex. head, 1"75 long			C
28D/1212755	A25/18J	Bolt, " BSF, hex. head, 2"45 long			C
28D/1011305	A25/20J	Bolt, " BSF, hex. head, 2"65 long			C
28D/1212757	A25/21J	Bolt, " BSF, hex. head, 2"75 long			C
28D/1212758	A25/22J	Bolt, " BSF, hex. head, 2"85 long			C
28D/1213588	A25/7L	Bolt, 7/16" BSF, hex. head, 1"4 long			C
28D/1213123	A25/7Q	Bolt, " BSF, hex. head, 1"65 long			C
28D/1219751	A61/2E	Bolt, 1/2" BSF, hex. head, "7 long			C
28D/1007285	AS.1242/1B	Bolt, 4 BA, c'sk. head "45 long			C
28D/1007973	AS.1242/2B	Bolt, 4 BA, c'sk. head, "55 long			C
28D/1214091	AS.1242/2C	Bolt, 2 BA, c'sk. head, "6 long			C
28D/1013172	AS.1242/5C	Bolt, 2 BA, c'sk. head, "9 long			C
28D/1013178	AS.1242/5E	Bolt, 1/4" BSF, c'sk. head, "95 long			C
28D/1212730	AS.1242/30E	Bolt, 1/4" BSF, c'sk. head, 3"45 long			C
28D/1213732	AS.1248/5B	Bolt, 4 BA, mushroom head, "9 long			C
28D/1013301	AS.1248/4C	Bolt, 2 BA, mushroom head, "8 long			C

**ARMAMENT
ARMAMENT BOMBER ROLE**

Ref. No.	Part No.	Description						off	Matl. Spec.	Cl. of Equip.	Plate No.
		1	2	3	4	5	6			M.R. L.M.	
28M/9403519	A27/BP	Nut,	4	BA,	plain	C	
28M/1006504	A27/BT	Nut,	4	BA,	thin	C	
28M/9403520	A27/CP	Nut,	2	BA,	plain	C	
28M/1006473	A27/CT	Nut,	2	BA,	thin	C	
28M/1011475	A27/EP	Nut,	1/4"	BSF,	plain	C	
28M/1007403	A27/ET	Nut,	1/4"	BSF,	thin	C	
28M/1006939	A27/GP	Nut,	3/16"	BSF,	plain	C	
28M/1011470	A27/GT	Nut,	1/8"	BSF,	thin	C	
28M/1011473	A27/JP	Nut,	3/16"	BSF,	plain	C	
28M/1011476	A27/JS	Nut,	3/16"	BSF,	slotted	C	
28M/9452621	A27/NT	Nut,	1/2"	BSF,	thin	C	
28M/10286	AGS.2001/A/1	Nut,	stiff,	6	BA	C	
28M/10287	AGS.2001/B/1	Nut,	stiff,	4	BA	C	
28M/10288	AGS.2001/C/1	Nut,	stiff,	2	BA	C	
28M/10291	AGS.2001/G/1	Nut,	stiff,	5/16"	BSF	C	
28M/10295	AGS.2001/Q/1	Nut,	stiff,	5/8"	BSF	C	
28M/10326	AGS.2002/A/1	Nut,	stiff,	6	BA	C	
28M/10327	AGS.2002/B/1	Nut,	stiff,	4	BA	C	
28M/10328	AGS.2002/C/1	Nut,	stiff,	2	BA	C	
28M/10331	AGS.2002/G/1	Nut,	stiff,	5/16"	BSF	C	
28M/10332	AGS.2002/J/1	Nut,	stiff,	3/8"	BSF	C	
28P/19233	SP.90/E6	Pin,	split,	1"	long x 3/8" dia.	C	
28P/19176	SP.90/G6	Pin,	split,	1"	long x 1/8" dia.	C	
28S/9435713	A31/C20	Screw,	2	BA,	cheese head, 5/8" long	C	
28S/1006979	A32/A10	Screw,	6	BA,	round head, 7/16" long	C	
28S/1017747	A32/A14	Screw,	6	BA,	round head, 7/16" long	C	
28S/9995324	A32/A16	Screw,	6	BA,	round head 1/2" long	C	
28S/1200080	A32/B8	Screw,	4	BA,	round head, 1/4" long	C	
28S/9992525	A32/B12	Screw,	4	BA	round head, 3/8" long	C	
28S/9992522	A32/B16	Screw,	4	BA,	round head, 1/2" long	C	
28S/1007817	A32/B24	Screw,	4	BA,	round head, 3/4" long	C	
28S/1200060	A33/A16	Screw,	6	BA,	c'sk. head, 1/2" long	C	
28S/9992531	A33/A24	Screw,	6	BA,	c'sk. head, 3/4" long	C	
28S/9133018	A33/A28	Screw,	6	BA,	c'sk. head, 7/8" long	C	
28W/9419465	SP.13/B	Washer,	4	BA,	plain	C	
28W/9419402	SP.13/C	Washer,	2	BA,	plain	C	
28W/9419403	SP.13/G	Washer,	5/16"	BSF,	plain	C	
28W/9419466	SP.13/J	Washer,	3/8"	BSF,	plain	C	
28W/9419468	SP.13/N	Washer,	1/2"	BSF,	plain	C	
28W/9419470	SP.13/Q	Washer,	3/8"	BSF,	plain	C	
28W/9419473	SP.15/A	Washer,	6	BA,	plain	C	
28W/9419474	SP.15/B	Washer,	4	BA,	plain	C	
28W/9419475	SP.15/C	Washer,	2	BA,	plain	C	
28W/9419476	SP.15/G	Washer,	5/16"	BSF,	plain	C	
28W/9419479	SP.15/N	Washer,	1/2"	BSF,	plain	C	
28W/9419489	SP.16/J	Washer,	3/8"	BSF,	plain	C	
28W/9416642	SP.47/B	Washer,	4	BA,	spring	C	
28W/9416643	SP.47/C	Washer,	2	BA,	spring	C	
28W/9416644	SP.47/E	Washer,	1/4"	BSF,	spring	C	
28W/9416646	SP.47/J	Washer,	3/8"	BSF,	spring	C	
28W/9416650	SP.47/Q	Washer,	3/8"	BSF,	spring	C	

NOTE: Page 85 not issued

**ARMAMENT
BOMBSIGHT COMPUTER AIR SUPPLY**

Ref. No.	Part No.	Description	No. off	Matl. Spec.	Cl. of Equip.		Plate No.
					M.R.	L.M.	
	E.A9.70.1	BOMBSIGHT COMPUTER AIR SUPPLY PIPES, PRESSURE BULKHEAD TO COMPUTER, ASSEMBLY Spares for:—	—	—	—		
5542	EEAS.143/6 VICKERS	CLIP , pipe, single, 1/4" o/d	9	L.72		C	
27F/2119	D.253	COCK , air control	1	—		C	
28F/8011811	AGS.1118/B	CONE , tee	1	—		C	
28F/8011883	AGS.1102/B	CONE , union body	1	—		C	
28F/1013402	AGS.1111/B	CONE , union body, flanged	1	—		C	
		Attaching parts for AGS.1111/B:—					
28D/1010658	A25/1B	Bolt, 4 BA	4	—		C	
28M/10287	AGS.2001/B/1	Nut, 4 BA	4	—		C	
28F/9128928	AGS.1115/2	Washer	1	—		C	
17732	E.A3.70.71	MOUNTING , air control cock at frame 2	1	—		C/MR	
		Attaching parts for E.A3.70.71:—					
28D/9419397	A25/12C	Bolt, 2 BA	2	—		C	
28M/10328	AGS.2002/C/1	Nut, 2 BA	2	—		C	
28W/9419404	SP.16/C	Washer	2	—		C	
	E.A9.70.5	PIPE , assembly, from bombsight computer air control cock to coupling between frames 2 and 3	1	L.54		—	
	E.A9.70.7	PIPE , assembly, continuation from coupling between frames 2 and 3 to coupling at frame 5	1	L.56		—	
	E.A9.70.9	PIPE , assembly, from coupling at frame 5 to canopy seal and pressure bulkhead connection tee	1	L.56		—	
	E.A9.70.241	PIPE , assembly, from bombsight computer air control cock to reducing union (Mod. 4129)	1	L.54		—	
37999	E.C3.70.103	PIPE , assembly, from reducing union at frame 2 to bombsight computer flexible connection (Mod. 2563)	1	L.56		C	
	E.A9.70.231	PIPE , assembly, from cone tee to pressure bulkhead	1	L.56		—	
26DK/5039	EEAS.20/2CR	TAB , locking	1	—		C	
5872	E.A3.70.77	UNION , reducing, 3/8" x 1/4" BSP	1	DTD.683		C	

Ref. No.	Part No.	1	2	3	4	5	6	Description	off	Matl. Spec.	Cl. of Equip.	Plate No.
											M.R. L.M.	

**ARMAMENT
BOMBSIGHT COMPUTOR AIR SUPPLY**

Ref. No.	Part No.	Description					No. off	Matl. Spec.	Cl. of St.	Plate No.
		1	2	3	4	5			M.R. L.M.	
	E.A9.70.3	BOMBSIGHT COMPUTOR AIR SUPPLY, PRESSURE BULKHEAD TO FRAME 12A, ASSEMBLY					—	—	—	
		Spares for:—								
3757	E.A1.70.69	Block , air filter mounting	1	DTD.36B	C		
5542	EEAS.143/6	Clip , pipe, single, $\frac{1}{4}$ " o/d	8	DTD.610	C		
3756	E.A1.70.33	Clip , pipe, special, air filter	1	DTD.610	C		
27G/2091	DUNLOP A.C.O.1268	Filter , air	1	—	C		
1128	EEAS.69/2	Gasket	1	Neo-K-Tex	C		
	E.A9.70.23	Pipe , assembly, from pressure bulkhead to air filter pipe connection at frame 12A				1	L56	—		
	E.A9.70.17	Pipe , assembly, from air filter pipe connection to air filter at frame 12A				1	L56	—		
981	EEAS.20/2DR	Tab , locking	2	L72	—		
12030	EEAS.21/2ER	Washer , special	5	L72	C		

**ARMAMENT
BOMBSIGHT COMPUTOR AIR SUPPLY**

Ref. No.	Part No.	Description					No. off	Matl. Spec.	Cl. of St.	Plate No.
		1	2	3	4	5			M.R. L.M.	
	E.B6.70.3	BOMBSIGHT COMPUTOR, AIR SUPPLY PIPE, FRAME 12 TO FRAME 17, ASSEMBLY					—	—	—	
		Spares for:—								
5542	EEAS.143/6	Clip , pipe, single, $\frac{1}{4}$ " o/d					5	DTD.610	C	
17744	EEAS.143/17	Clip , pipe, single, $\frac{1}{4}$ " o/d					1	DTD.610	C	
6347	EEAS.98/2	Lug , 18 SWG					1	DTD.610	C	
5882	E.B6.70.5	Pipe , assembly, from coupling forward of frame 14 to engine air supply pipe aft of frame 16					1	L56	C	
5883	E.A3.70.61	Pipe , assembly, from coupling forward of frame 14 to engine air supply pipe aft of frame 15					1	L56	C	

**ARMAMENT
BOMBSIGHT COMPUTOR AIR SUPPLY**

Ref. No.	Part No.	1	2	3	4	5	Description	No. off	Matl. Spec.	Cl. of St.	Plate No.
										M.R. L.M.	

**ARMAMENT
AIR DEFLECTOR IN BOMB BAY**

Ref. No.	Part No.	Description	No. off	Matl. Spec.	Cl. of Equip.		Plate No.
					M.R.	L.M.	
	E.B6.97.301	DEFLECTOR AND FRAME, GROUP (MOD. 3154-S.O.O.)	1	—	—		
		Spares for:—					
	33059 ✓ E.B6.97.305 ✓	DEFLECTOR , assembly, lower	1	—	—	B	
	33060 ✓ E.B6.97.307 ✓	DEFLECTOR , assembly, upper	1	—	—	B	
		Attaching parts for E.B6.97.305 and E.B6.97.307:—					
28D/12643	A25/9J	Bolt, $\frac{3}{8}$ " BSF	4	—	—	C	
28M/10292	AGS.2001/J/1	Nut, $\frac{3}{8}$ " BSF	4	—	—	C	
28W/9419477	SP.15/J	Washer	4	—	—	C	
	33645 E.B6.97.303 ✓	FRAME, ASSEMBLY	1	—	—	B	
		Spares for:—					
	E.B6.97.327	BRACKET , lower, port	1	L.77	—	—	
	or						
33637	E.B6.97.365	BRACKET , lower, port	1	L.65	—	C	
	E.B6.97.329	BRACKET , lower, starboard	1	L.77	—	—	
	or						
33638	E.B6.97.367	BRACKET , lower, starboard	1	L.65	—	C	
		Attaching parts for E.B6.97.327 and E.B6.97.329 or E.B6.97.365 and E.B6.97.367:—					
28D/12081	AS.1246/7E	Bolt, $\frac{1}{4}$ " BSF	3	—	—	C	
28M/10290	AGS.2001/E/1	Nut, $\frac{1}{4}$ " BSF	3	—	—	C	
33644	E.B6.97.377	Packing, radius	3	L.72	—	C	
	or						
	BROWN BROS. BBH.104/8	Collar	3	—	—	—	
	BBH.101/FN/08/10 and BBH.104/8	Pin, $\frac{1}{4}$ " hi-shear	3	—	—	—	
	BBH.101/FN/08/18	Collar	8	—	—	—	
		Pin, $\frac{1}{4}$ " hi-shear	8	—	—	—	
	E.B6.97.333 ✓	BRACKET , upper, port	1	L.77	—	—	
	or						
33639	E.B6.97.369	BRACKET , upper, port	1	L.65	—	C	
	E.B6.97.335 ✓	BRACKET , upper, starboard	1	L.77	—	—	
	or						
33640	E.B6.97.371	BRACKET , upper, starboard	1	L.65	—	C	
		Attaching parts for E.B6.97.333 and E.B6.97.335 or E.B6.97.369 and E.B6.97.371:—					
33641	E.B6.97.341	Collar, $2\frac{1}{4}$ " o/d. x 8 SWG	2	T.45 or S.93	—	C	
	E.B6.97.345 ✓	LINK , connecting, upper brackets, at frame 27 ...	2	L.77	—	—	
	or						
33642	E.B6.97.373	LINK , connecting, upper brackets, at frame 27 ...	2	L.65	—	C	
		Attaching parts for E.B6.97.345 or E.B6.97.373:—					
33643	E.B6.97.347	Bolt, shouldered	1	S.114 or S.96	—	C	
28M/1011476	A27/JS	Nut, $\frac{3}{8}$ " BSF	1	—	—	C	
28W/9419466	SP.13/J	Washer	1	—	—	C	
		Attaching parts for E.B6.97.301:—					
12653	E.A9.97.665	Bolt, $\frac{5}{8}$ " BSF	2	—	—	C	
33643	E.B6.97.347	Bolt, shouldered	2	S.114 or S.96	—	C	
28M/1011476	A27/JS	Nut, $\frac{3}{8}$ " BSF	2	—	—	C	
28M/13145	A27/QS	Nut, $\frac{5}{8}$ " BSF	2	—	—	C	
28W/9419466	SP.13/J	Washer	2	—	—	C	
28W/9419470	SP.13/Q	Washer	2	—	—	C	

Restricted

Ref. No.	Part No.							Description	No. off	Matl. Spec.	Cl. of Equip.			Plate No.
		1	2	3	4	5	6				M.R.	L.M.		

**ARMAMENT
REMOVABLE FITTINGS, PYLON DUCTS**

Ref. No.	Part No.	Description	No. off	Matl. Spec.	Cl. of Equip.	Plate No.
					M.R. L.M.	
		1 2 3 4 5 6				
	E.A9.00.143	FITTINGS, REMOVABLE, PYLON DUCTS, INSTALLATION (MOD. 3525-S.O.O.)	—	—	—	
		Spares for:—				
33716	E.A9.81.5333	BOX, JUNCTION NO. 4, ASSEMBLY	1	—	A	
		Spares for:—				
5X/2863	CZ.24285	BLOCK , terminal, 10-way	1	—	C	
		Attaching parts for CZ.24285:—				
28S/1200039	A31/B32	Screw, 4 BA	2	—	C	
28W/1206041	AGS.2035/B	Washer	2	—	C	
	E.A9.81.5335	BOX , shell	1	—	—	
32A/0119481		CORD , nylon, PVC covered	QR	—	C	
5X/2790		GROMMET , dummy	1	—	C	
12845	E.A9.81.1735	LID , assembly	1	—	B	
5X/1004082	Z.50210	LINK , 2-way	2	—	C	
10H/0560070	CZ.48994	PLUG , 4-way	1	—	C	
10H/0560581	CZ.48995/1	PLUG , 6-way	1	—	C	
10H/0560582	CZ.48995/2	PLUG , 6-way	1	—	C	
10H/0560583	CZ.48995/3	PLUG , 6-way	1	—	C	
10H/0560200	CZ.49061	PLUG , 25-way	1	—	C	
5K/9107066	EEAS.146/12	SLEEVE , 1" long	10	—	C	
5K/9107065	EEAS.146/22	SLEEVE , 1/4" long	28	—	C	
10H/0560240	CZ.49219	SOCKET , 3-way	1	—	C	
10H/0560250	CZ.49221	SOCKET , 4-way	1	—	C	
10H/0560380	CZ.49229	SOCKET , 25-way	1	—	C	
10H/0560381	CZ.49229/1	SOCKET , 25-way	1	—	C	
10H/0560382	CZ.49229/2	SOCKET , 25-way	1	—	C	
33420	E.B7.81.347	SUPPORT , terminal block	2	—	C	
		Attaching parts for E.B7.81.347:—				
28M/10287	AGS.2001/B/1	Nut, 4 BA	2	—	C	
28S/1005622	A31/B28	Screw, 4 BA	2	—	C	
28W/9419474	SP.15/B	Washer	2	—	C	
	5X/9482491	TAG	2	—	C	
	1109	WASHER , plug/socket	6	—	C	
	17542	WASHER , plug/socket	4	—	C	
	5E/9424113	WIRE , equipment, type 3. 23/0076, black	QR	—	C	
		Attaching parts for E.A9.81.5333:—				
28D/9436920	A25/1C	Bolt, 2 BA	4	—	C	
28M/10288	AGS.2001/C/1	Nut, 2 BA, for lower attachment	2	—	C	
	E.A9.81.5343	CABLE, ASSEMBLY, FROM SAMPLER DUCT COUPLER BREAK TO JB.17 OR JB.18	2	—	—	
		Consisting of:—				
5E/3894		CABLE , uniersil 20	QR	—	C	
10H/0970292	CZ.69733	CLAMP , cable	2	—	C	
10H/0970296	CZ.69738	CLAMP , cable	1	—	C	
10H/0970058	Z.60667	GASKET , outlet	2	—	C	
10H/0970060	Z.60669	GASKET , outlet	1	—	C	
10H/0119116	Z.49032	OUTLET , straight	2	—	C	
10H/0119121	Z.49081	OUTLET , straight	1	—	C	
10H/0560300		PLUG , 6-way	1	—	C	
10H/0560400		PLUG , 25-way	1	—	C	
10H/0970088	Z.62229	RING , sealing	2	—	C	
10H/0970239	Z.67407	RING , sealing	1	—	C	

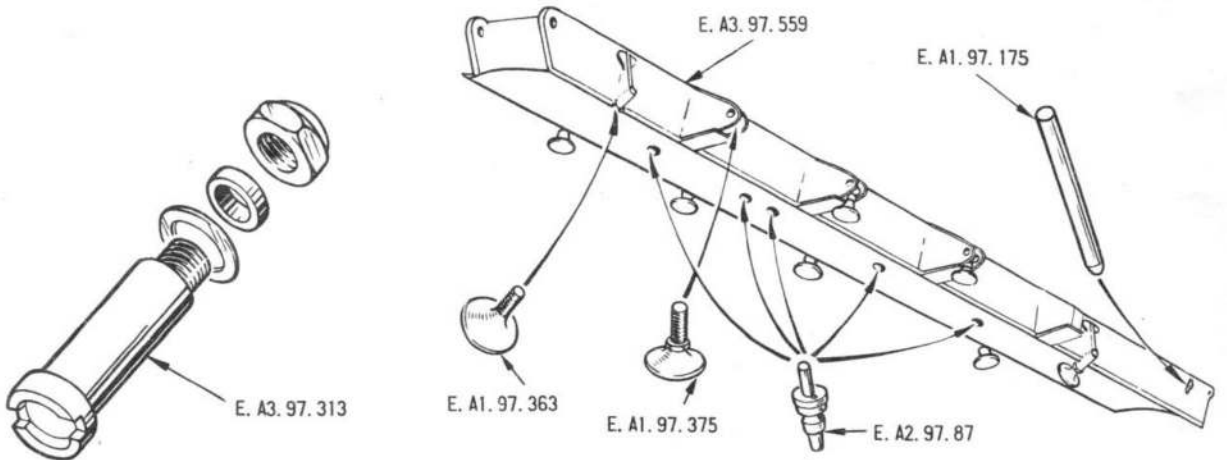
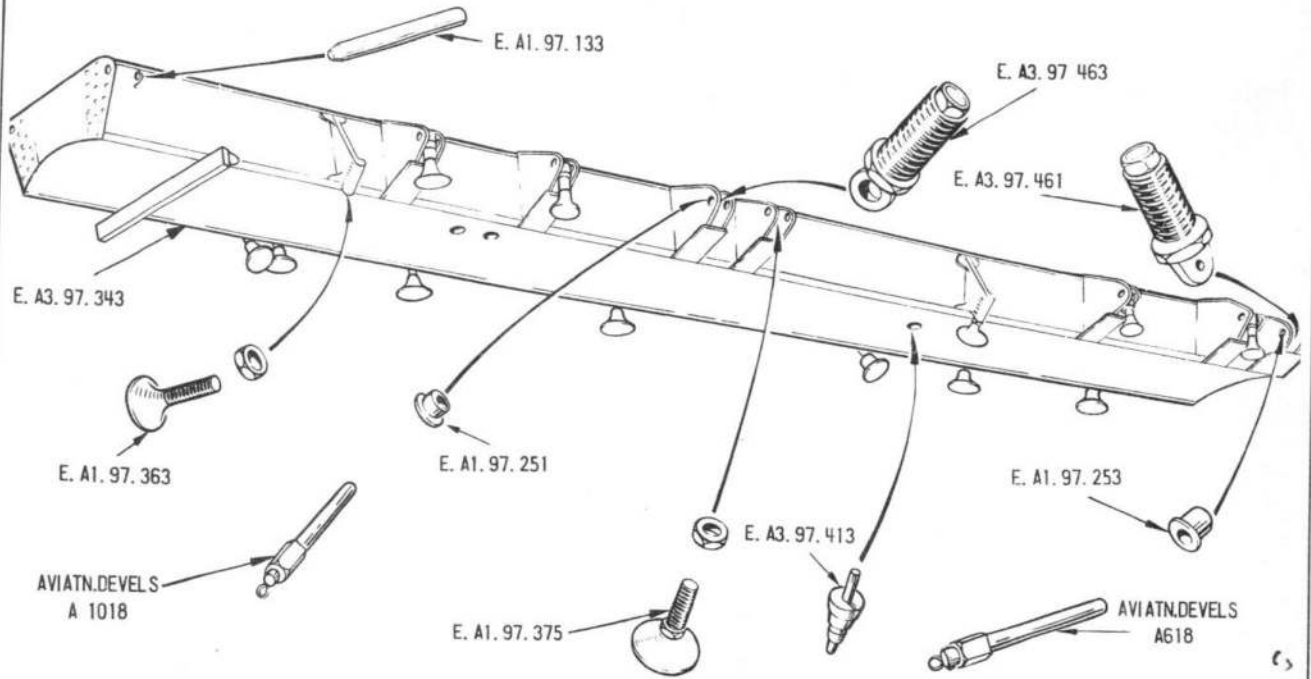
**ARMAMENT
REMOVABLE FITTINGS, PYLON DUCTS**

Ref. No.	Part No.	Description	off	Matl. Spec.	Cl. of Equip.	Plate No.
					M.R. L.M.	
		1 2 3 4 5 6				
10H/0970096	Z.49037	RING, thrust	2	—	C	
10H/0970098	Z.49084	RING, thrust	1	—	C	
5K/9107067	EEAS.146/6	SLEEVE, 1" long	1	—	C	
5K/3366	EEAS.146/6	SLEEVE, 2" long	2	—	C	
5K/9107066	EEAS.146/12	SLEEVE, 1" long	1	—	C	
5K/9107065	EEAS.146/20	SLEEVE, 3/4" long	12	—	C	
10H/0560630	CZ.56259	SOCKET, coupler, 6-way	1	—	C	
32B/1073		TAPE, glass fibre	QR	—	C	
10H/0970052	CZ.51541	CAP, protective, small	2	—	C	
10H/0970054	CZ.51543	CAP, protective, large	2	—	C	
	E.A9.81.5323	DUCT, PYLON AND SOLE PLATE ASSEMBLY, INSTALLATION	2	—	—	
		Spares for:—				
27B/3106		DUCT, pylon, Mk. 9	1	—	B	
		Attaching parts for Ref. 27B/3106:—				
28M/10291	AGS.2001/G/1	Nut, 3/8" BSF (G.K.N. type only)	4	—	C	
28W/9419403	SP.13/G	Washer	4	—	C	
	33711	PLATE, SOLE, ASSEMBLY	1	—	B	
		Spares for:—				
	33712	STUD, plate	4	S.96	C	
		Attaching parts for E.A9.81.5325:—				
	33713	Bolt, special	6	S.96	C	
	33714	Bolt, special	2	S.96	C	
28M/10292	AGS.2001/J/1	Nut, 3/8" BSF (G.K.N. type only)	8	—	C	
28W/9419466	SP.13/J	Washer	14	—	C	
	33715	PANEL, BOMBING, ASSEMBLY	1	—	B	
		Spares for:—				
5CZ/432		BLOCK, terminal, 3-way	2	—	C	
		Attaching parts for Ref. 5CZ/432:—				
28M/10326	AGS.2002/A/1	Nut, 6 BA	2	—	C	
28S/1200062	A33/A20	Screw, 6 BA	2	—	C	
28W/9419464	SP.13/A	Washer	2	—	C	
5X/1002694	CZ.50207	BLOCK, terminal, 5-way	1	—	C	
		Attaching parts for CZ.50207:—				
28M/10327	AGS.2002/B/1	Nut, 4 BA	2	—	C	
28S/1011488	A32/B28	Screw, 4 BA	2	—	C	
28W/9419465	SP.13/B	Washer	2	—	C	
5E/4183		CABLE, Uninyvin 20	QR	—	C	
10H/23998		CARRIER, fuse	4	—	C	
10H/0970292	CZ.69733	CLAMP, cable	2	—	C	
10H/0970296	CZ.69738	CLAMP, cable	2	—	C	
10H/23864		FUSE, type AS, 5 amp	4	—	C	
10H/0970059	Z.60668	GASKET, outlet	2	—	C	
10H/0970060	Z.60669	GASKET, outlet	2	—	C	
5CZ/5085	CZ.97636/2	INDICATOR, magnetic, Mk. 5	2	—	C	
		Attaching parts for CZ.97636/2:—				
28M/10326	AGS.2002/A/1	Nut, 6 BA	2	—	C	
28S/1006948	A32/A12	Screw, 6 BA	2	—	C	
28W/9419464	SP.13/A	Washer	2	—	C	

**ARMAMENT
REMOVABLE FITTINGS, PYLON DUCTS**

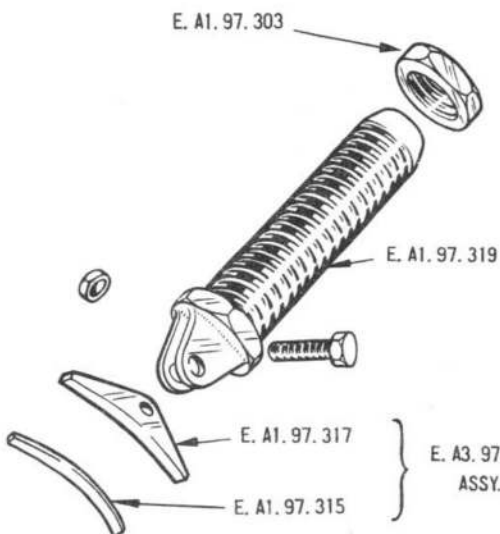
Ref. No.	Part No.	Description						No. off	Matl. Spec.	Cl. of Equip.	Plate No.
		1	2	3	4	5	6			M.R. L.M.	
5X/1004083	Z.50211							1	—	C	
10H/0119121	Z.49081							2	—	C	
10H/	Z.49153							2	—	—	
	E.A.9.81.5315							1	—	—	
10H/0970088	Z.62229							2	—	C	
10H/0970239	Z.67407							2	—	C	
10H/0970096	Z.49037							2	—	C	
10H/0970098	Z.49084							2	—	C	
5K/9107068	EEAS.146/2							9	—	C	
5K/9107067	EEAS.146/6							16	—	C	
5K/9107066	EEAS.146/12							12	—	C	
5K/9107065	EEAS.146/20							56	—	C	
10H/0560180	CZ.49126							1	—	C	
10H/0560181	CZ.49126/1							1	—	C	
10H/0560220	CZ.49070							1	—	C	
10H/0560680	CZ.56262							1	—	C	
28FP/1004892	Oddie - 213/2							5	—	C	
5CW/6579	NSF. 8824-B107							2	—	B	
5D/1566								1	—	C	
28M/10326	AGS.2002/A/1							4	—	C	
28S/9995324	A32/A16							4	—	C	
28W/9419464	SP.13/A							4	—	C	
5CW/7540								1	—	C	
28S/9992525	A32/B12							2	—	C	
28W/1206041	AGS.2035/B							2	—	C	
5X/9462951	HC.294							1	—	C	
5X/1010324	HC.296							12	—	C	
5X/9450396	HC.490							9	—	C	
5X/7316	HC.1187							1	—	C	
32B/1073								QR	—	C	
28FP/1004893	Oddie - 214							5	—	C	
5F/9454141	NY.18007A							QR	—	C	
5F/9138822	NY.3342							12	—	C	

Ref. No.	Part No.	1	2	3	4	5	6	Description	off	Matl. Spec.	Cl. of Equip. M.R. L.M.	Plate No.

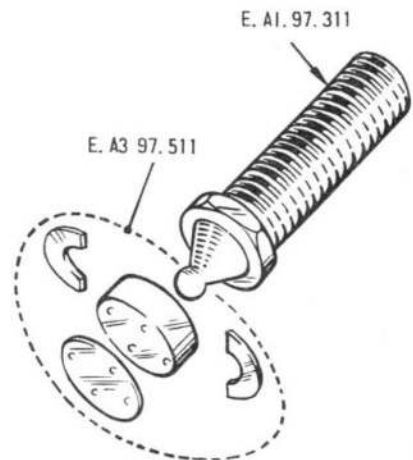


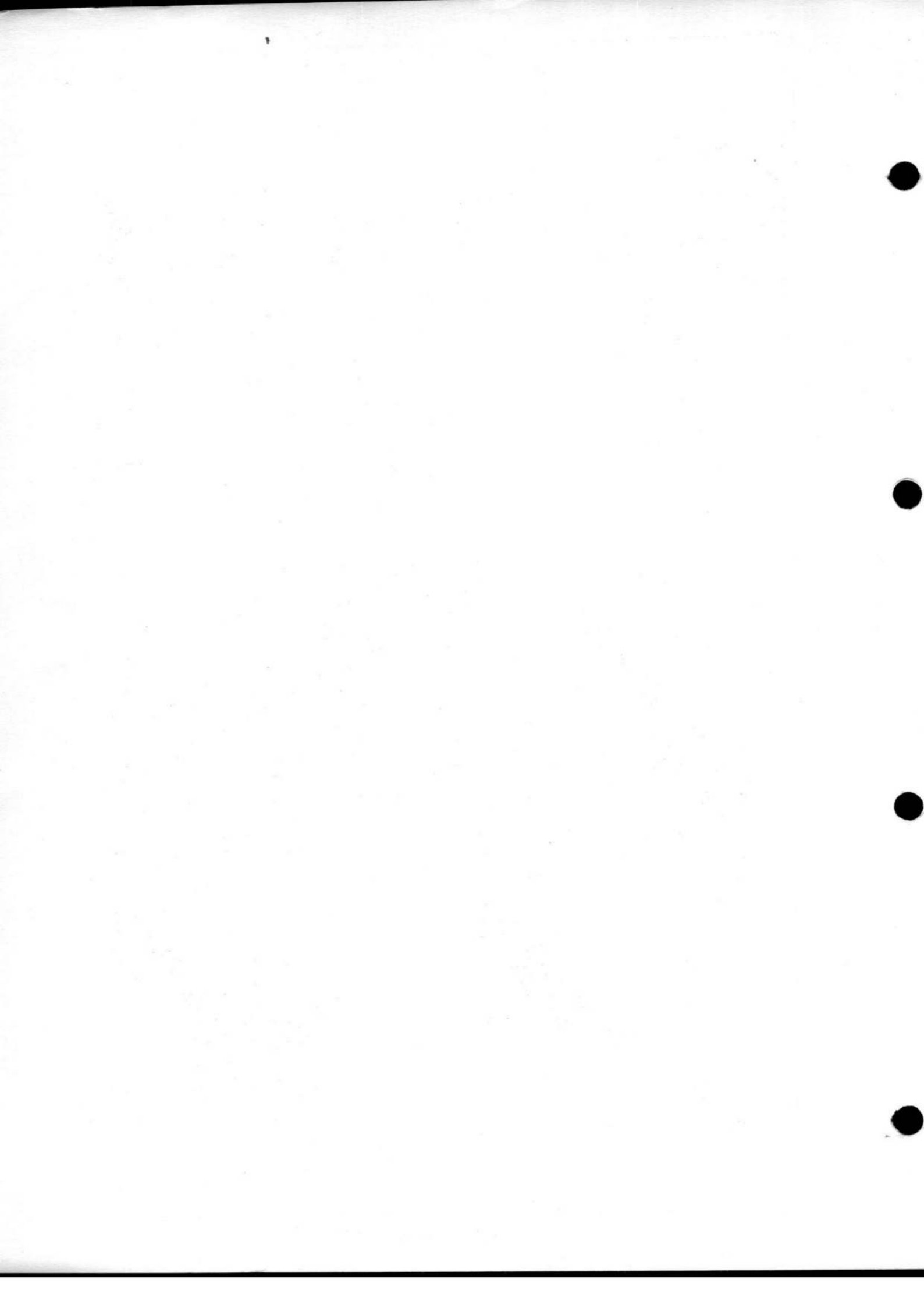
E. A1. 97. 321 ASSY

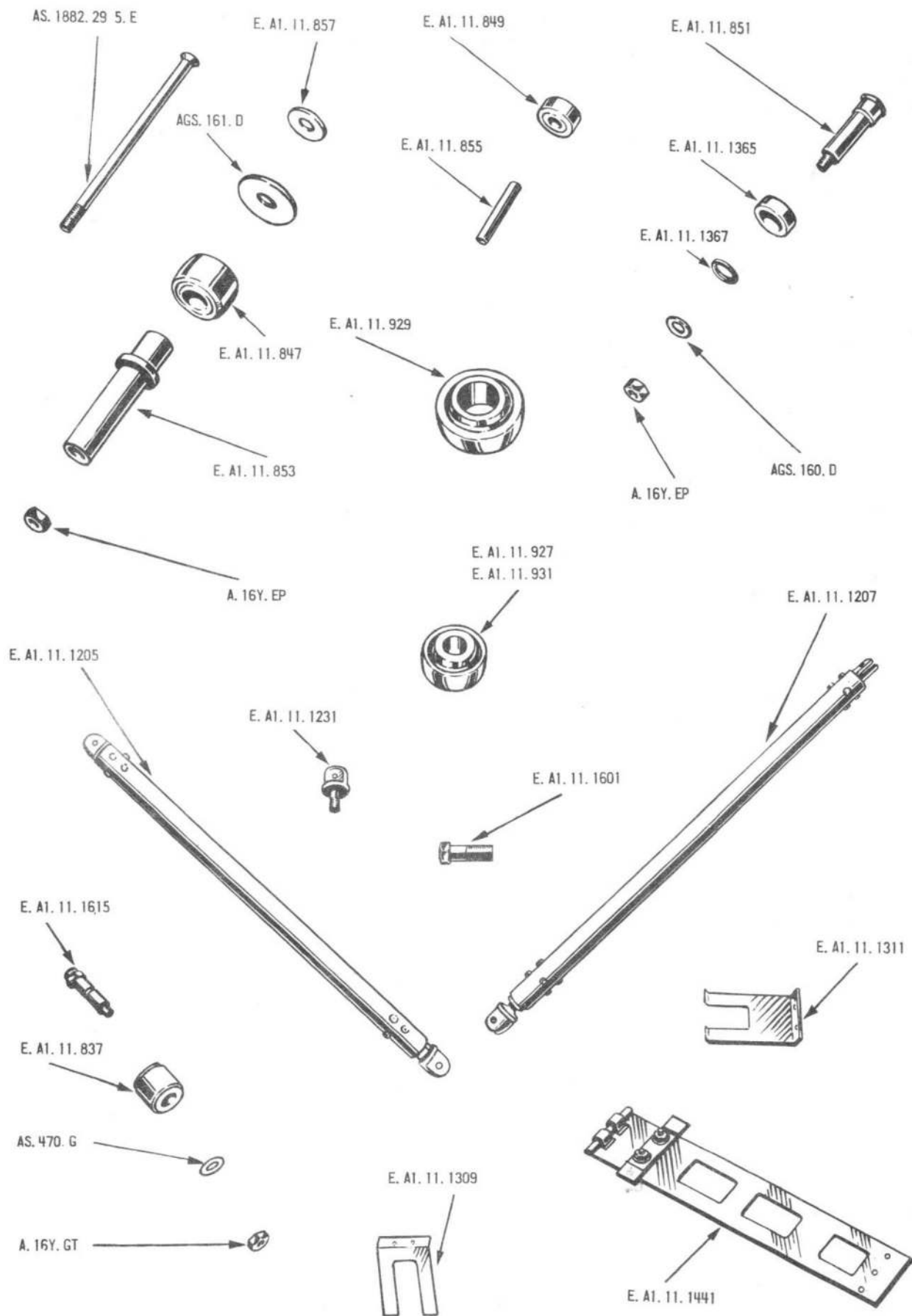
E. A1. 97. 313 ASSY

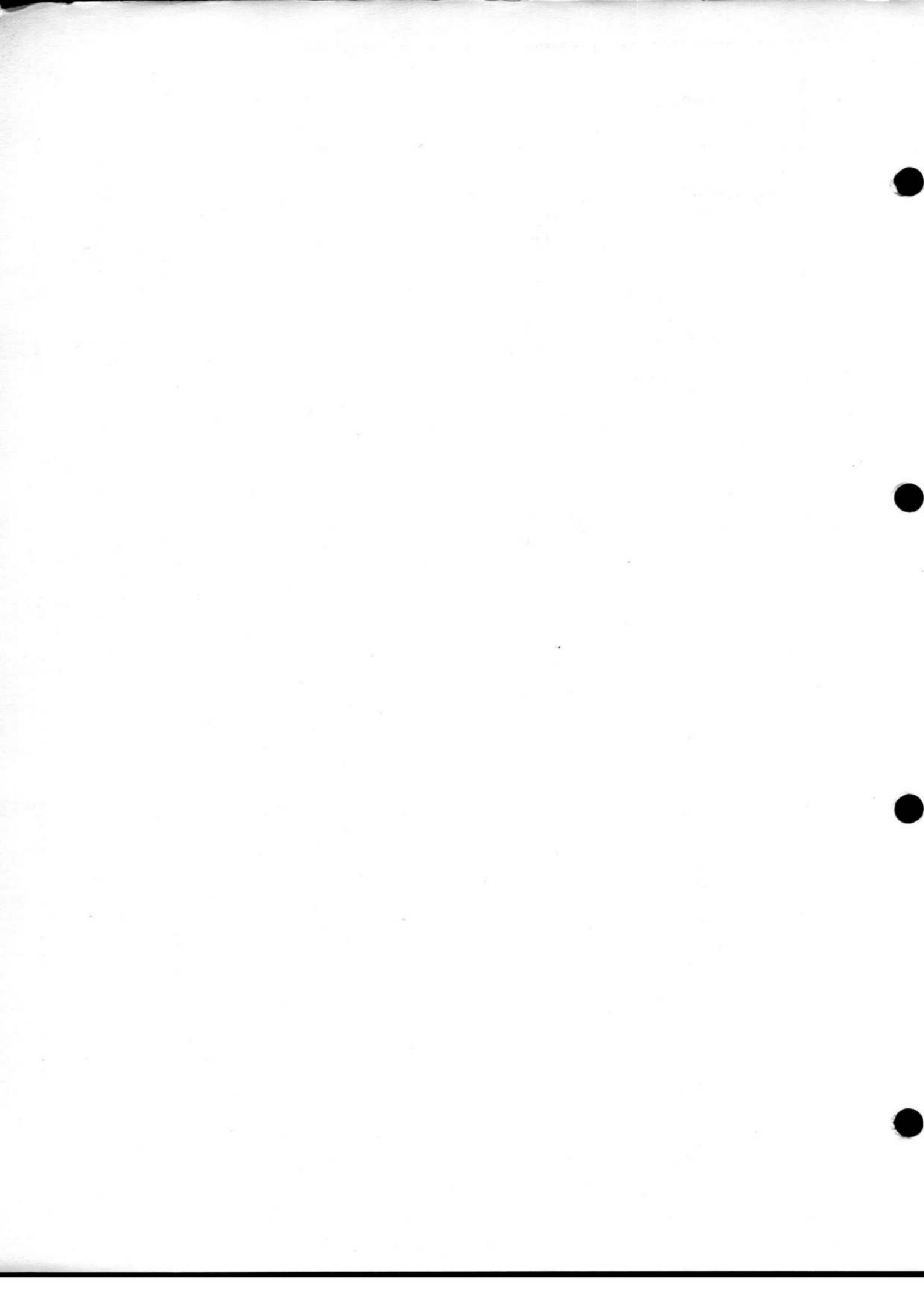


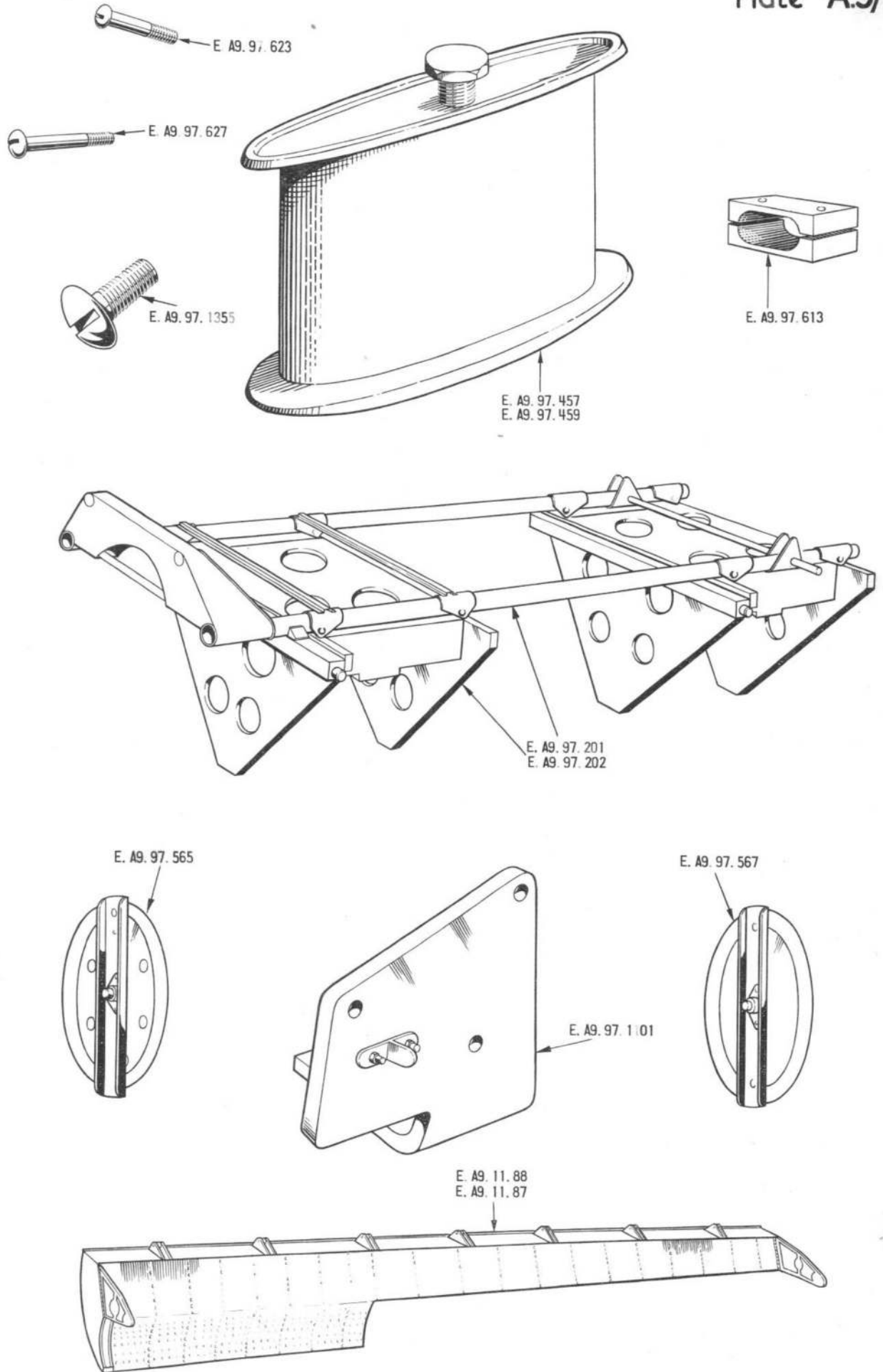
E. A3. 97. 509. ASSY.











This file was downloaded
from the RTFM Library.

Link: www.scottbouch.com/rtfm

Please see site for usage terms,
and more aircraft documents.

