

Chapter 79

PUSH-SWITCH, SOLENOID OPERATED, TYPE C7601Y

LIST OF CONTENTS

	<i>Para.</i>		<i>Para.</i>
<i>Introduction</i>	1	Installation	5
Description	2	Servicing	6

LIST OF ILLUSTRATIONS

	<i>Fig.</i>		<i>Fig.</i>
<i>Push-switch, solenoid operated, Type C7601Y</i>	1	<i>Terminal arrangement</i>	2
		<i>Circuit diagram</i>	3

LEADING PARTICULARS

<i>Push-switch, solenoid operated, Type C7601Y</i> ...	<i>Ref. No.</i> 5CW/6370
<i>Overall dimensions (in.)</i>	7.0 × 2.5 × 4.98

Introduction

1. The solenoid operated push-switch, Type C7601Y is designed for alighting gear operation.

DESCRIPTION

2. A side elevation of the switch is shown in fig. 1 and the terminal arrangement is shown in fig. 2. The two switch buttons are interlocked so that only one button may be in at a time. As one button is depressed, it forcibly ejects the button already in.

3. The UP button incorporates a locking device which prevents it being depressed until a 28-volt d.c. supply is

F.S./1

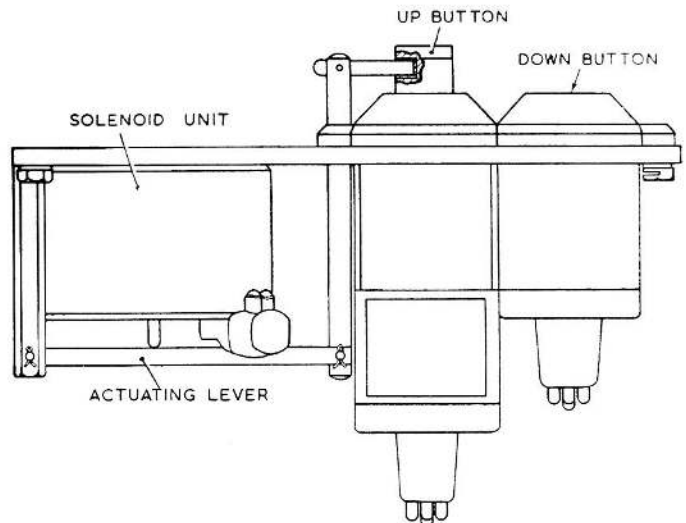


Fig. 1. Push-switch, solenoid operated, Type C7601Y

RESTRICTED

connected across terminals 5 and 6. The lock can be overridden manually by a pressure of approximately 40 lb. but the over-ride is for emergency use only, and to avoid wear it should not be operated frequently.

4. The UP button can be automatically depressed from a remote control by connecting a supply to the solenoid unit.

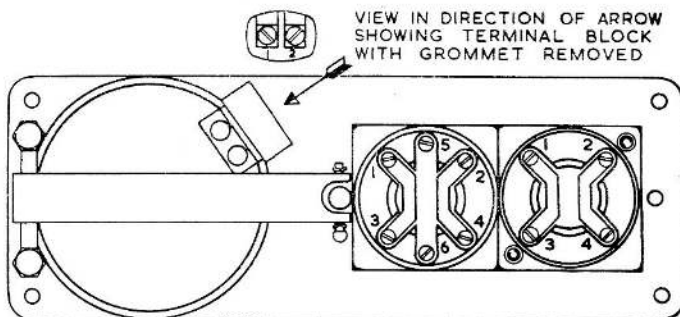


Fig. 2. Terminal arrangement

INSTALLATION

5. To fit a new switch, remove the back covers, nip the extreme tip off the sleeves required, and feed the conductors through, causing the sleeves to invert. Finally pull the conductors back to re-invert the sleeves.

SERVICING

6. No servicing is possible on these switches, which are sealed; a faulty switch unit must be renewed.

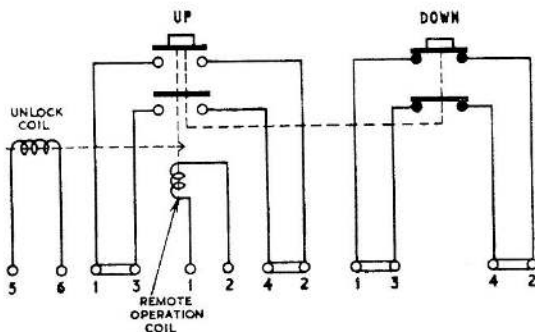


Fig. 3. Circuit diagram

This file was downloaded
from the RTFM Library.

Link: www.scottbouch.com/rtfm

Please see site for usage terms,
and more aircraft documents.

