

Chapter 87

DIMMER SWITCHES, BERCO TYPE L/DT SERIES

LIST OF CONTENTS

	Para.		Para.
<i>Introduction</i>	1	<i>Double ganged assemblies</i>	5
Description	2	Servicing	6
<i>Off position</i>	3		

LIST OF ILLUSTRATIONS

	Fig.
<i>Sectioned view of L/DT dimmer switch</i> ...	1

LIST OF TABLES

	Table
<i>Dimmer switch, Type L/DT ratings</i> ...	1

LEADING PARTICULARS

Dimmer switches, Type L/DT various Ref. No. see Table 1 and 4

<i>Technical data</i>	L25	L50	L75
<i>Ohmic value of winding in ohms</i> ...	12	23	34
<i>Temperature rise at normal power dissipation in degrees C.</i>	240	259	284
<i>Rating in 70°C ambient temperature (watts)</i>	20	40	60
<i>Weight (oz.)</i>	2 $\frac{3}{4}$	6	10
<i>Control knob</i> Type	MOV228	MOV228	MOV229
<i>in inches dia.</i>	1.75	1.75	2.25

Fixing By $\frac{3}{8}$ in. dia., $\frac{3}{8}$ in. long 32 T.P.I. threaded bush, nut and locating pin with $\frac{1}{2}$ in. centres suitable for panels up to $\frac{1}{4}$ in. thick

Introduction

1. These dimmer switches are similar to the rheostats Berco, Type L series which are described and illustrated in 4343E, Vol. 1, Book 4, Sect. 22, Chap. 3 except that they are fitted with off positions and are primarily used with the Thorn "Plasteck" lighting system.

DESCRIPTION

2. To distinguish between these dimmer switches from the Berco "L" series, the L is suffixed with the letters DT e.g. L/DT.

Off position

3. The terminal band is set in from one end of the ring so that the brush runs off it on to

RESTRICTED

a vitreous enamelled surface. The standard "off" position for this type of switch is at the left-hand terminal, but switches are made to meet special requirements with the "off" position at the right-hand terminal.

4. A list of the different types of dimmer switches and their ratings, each with their dimming control of a number of lamps equivalent to their respective rating is detailed in Table 1.

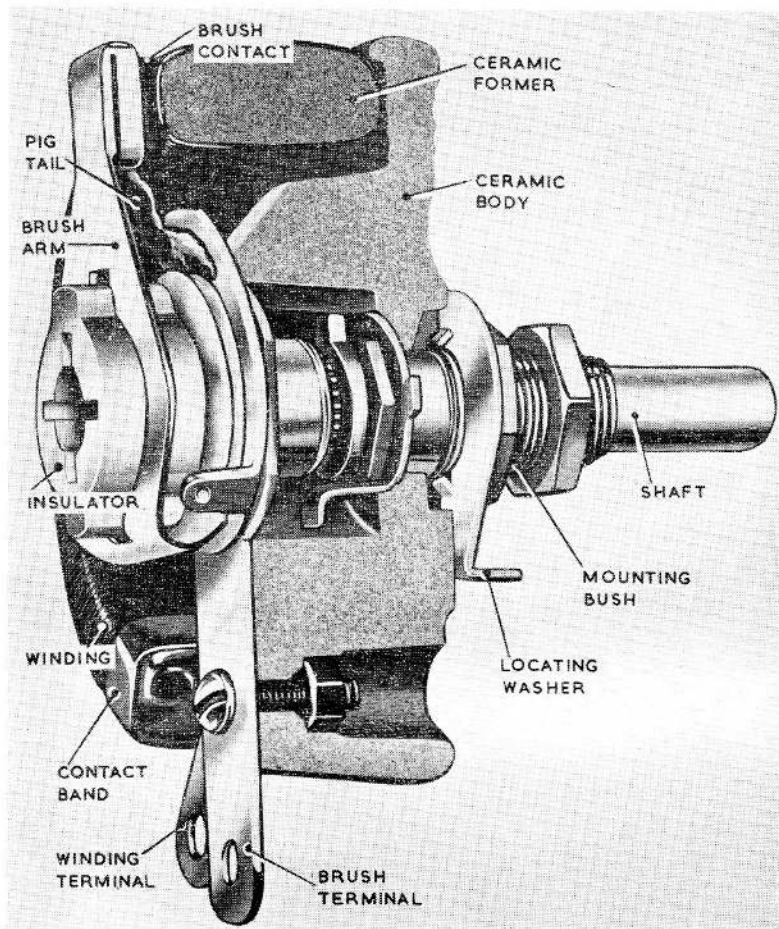


Fig. 1. Sectioned view of L/DT dimmer switch

TABLE 1
Dimmer switch, Type L/DT ratings

No. of lamps to be dimmed or Watts	Pattern No. of Dimmer	Unit Type	Ohmic Value of Dimmer	Max. Current (amp.)	Ref. No. 5CW/
2-3	DT.1	R.5	400	0.08	
4-6	DT.3	L.25	200	0.24	8014
7-14	DT.7	L.25	114	0.56	6605
15-29	DT.15	L.50	53	0.16	6606
30-40	DT.30	L.50	26.9	1.6	8013
41-50	DT.41	L.50	19.5	2.0	8567
51-70	DT.70	L.75	17.0	2.5	

RESTRICTED

Double-ganged assemblies

5. Double ganged assemblies are possible within this range of dimmer switches, those available are listed below.

Unit Type and Pattern No.	Ref. No. 5CW/
L25-DT3	6604
L25-DT7	6607
L50-DT15	6608
L50-DT30	6609

SERVICING

6. Servicing procedure for these dimmer switches is described in A.P.4343E, Vol. 1, Book 4, Sect. 22, Chap. 3.

RESTRICTED

This file was downloaded
from the RTFM Library.

Link: www.scottbouch.com/rtfm

Please see site for usage terms,
and more aircraft documents.

