

## Chapter 95

# RELAY, PLESSEY, TYPE 7CZ/103739/1

### LIST OF CONTENTS

	Para.		Para.
Introduction...	1	Description	2

### LIST OF ILLUSTRATIONS

	Fig.
Circuit diagram	1

### LEADING PARTICULARS

Relay, Type 7CZ/103739/1	...	...	...	Stores Ref. 5CW/
Operating voltage	...	...	...	16 to 29 volts d.c.
Contact rating...	...	...	...	10 amp. at 28 volts d.c.
Coil resistance...	...	...	...	300 ohms $\pm$ 5 per cent
Overall dimensions	...	...	...	2.5 in. $\times$ 1.8 in. $\times$ 3.2 in.
Weight...	...	...	...	16 oz.

#### Introduction

1. The relay, Type 7CZ/103739/1, is a double-pole change-over sealed relay for use on circuits where the current does not exceed 10 amp.

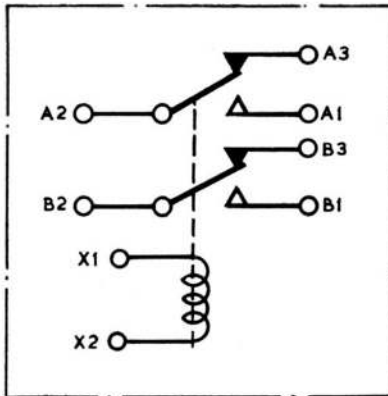


Fig. 1. Circuit diagram

#### DESCRIPTION

2. A circuit diagram of the relay is given in fig. 1. The mechanism incorporates an electro-magnet which operates a set of leaf-spring contacts, the electro-magnet assembly and the spring contact assembly being held together by three nuts. When the coil is energized, the armature is attracted to the core and operates the moving contacts via glass board operating strips.

3. Electrical connection to the coil and the contacts is made to 6 B.A. screw type terminals. Four mounting flanges are provided, on adjacent faces of the unit, each with one fixing hole; the relay may therefore be mounted in one of two possible positions.

This file was downloaded  
from the RTFM Library.

Link: [www.scottbouch.com/rtfm](http://www.scottbouch.com/rtfm)

Please see site for usage terms,  
and more aircraft documents.



LIGHTNING MK. 1  
COVER PITOT HEAD  
EB2-88-511