

Chapter 13

SWITCH, MAGNETIC, TYPE IA, No. 2 (ROTAX D8611)

LIST OF CONTENTS

	Para.		Para.
Introduction	1	Description	2

LIST OF ILLUSTRATIONS

	Fig.		Fig.
Type IA, No. 2 switch, with cover removed ...	1	Diagram of internal connections	2

LEADING PARTICULARS

Switch, magnetic, Type IA, No. 2	Stores Ref. 5CW/4600
Normal operating voltage (coil)	112V d.c.
Maximum operating voltage (coil)	116V d.c.
Minimum closing voltage (20 deg. C)	40 to 50V d.c.
Closing coil resistance (20 deg. C)	42 ohm \pm 10 per cent
Hold-in coil resistance (20 deg. C)	1000 ohm \pm 10 per cent
Maximum main contact current	200 amp.
Contact drop (at 200 amp.)	25 millivolt
Weight	8 lb. 12 oz.
Fixing hole centres	6.156 in. by 4.187 in.

Introduction

1. This switch, in common with others in the D8600 Series, has been designed to function as a single pole contactor in 112-volt circuits in aircraft.

DESCRIPTION

2. The Type D8611 contactor (fig. 1) is similar to others in the D8600 Series, and general information will be found in A.P.4343, Vol. 1, Sect. 11, Chap. 8. As shown in fig. 2, a capacitor of 0.1 microfarad is connected across the economy switch. The inclusion of this capacitor reduces the effect of arcing across the economy switch contacts.

3. For details of operation, installation and servicing, reference should be made to the general chapter for the D8600 Series (A.P.4343, Vol. 1, Sect. 11, Chap. 8).

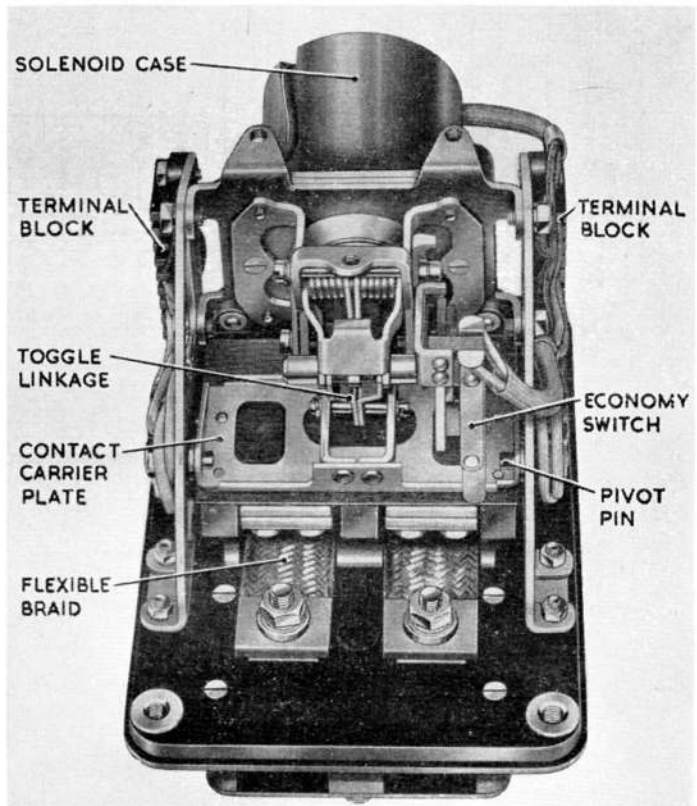


Fig. 1. Type IA, No. 2 switch, with cover removed

(A.L.11, Mar. 55)

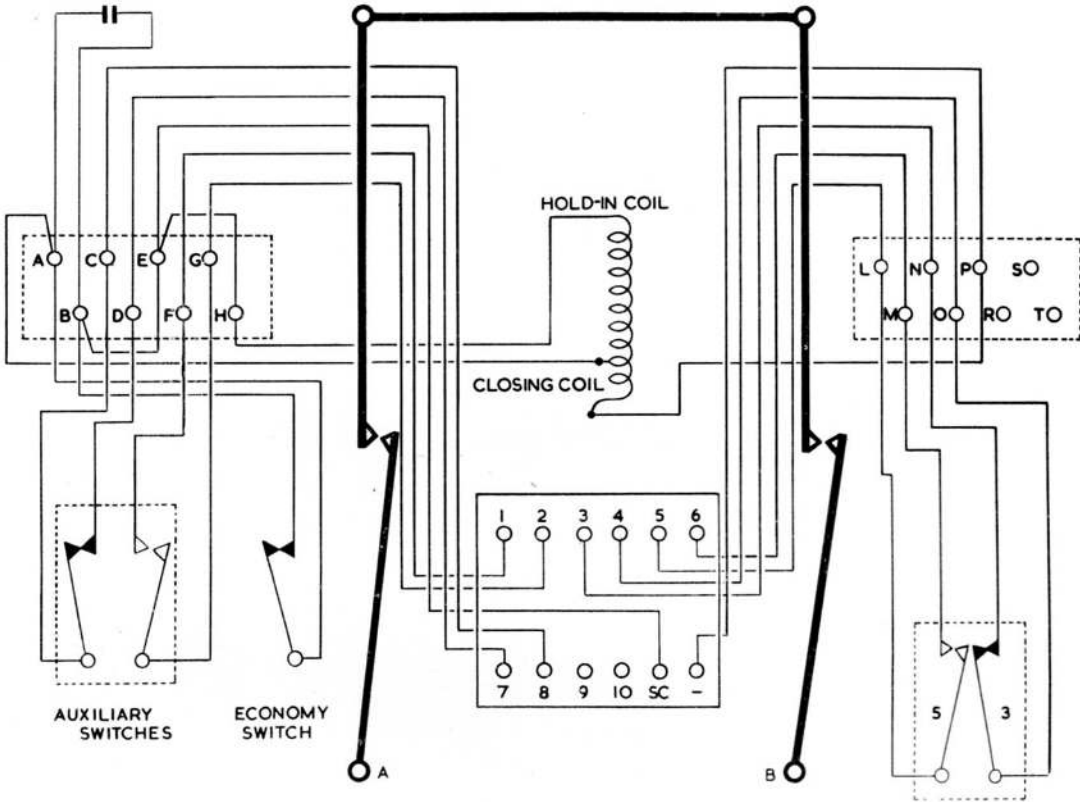


Fig. 2. Diagram of internal connections

RESTRICTED

This file was downloaded
from the RTFM Library.
Link: www.scottbouch.com/rtfm

Please see site for usage terms,
and more aircraft documents.

