

Chapter 18

ACTUATOR, PLESSEY, TYPE CZ54043

LIST OF CONTENTS

	Para.		Para.
Introduction	1	Installation	5
Description	2	Servicing	6
Limit switches	3		

LIST OF ILLUSTRATIONS

	Fig.		Fig.
General view of actuator	1	Circuit diagram	3
Gearbox	2		

LEADING PARTICULARS

Actuator, Type CZ54043	Stores Ref. 5W/23
Voltage	24V d.c.
Current consumption (on normal load)	2 amp.
Maximum load	200 lb.
Normal load	160 lb.
Brush spring pressure	3.5 to 4.5 oz.
Weight	2 lb. 4 oz.
Travel of plunger	3 in.
Time for full travel (normal load)	16 to 18 sec.
Distance between centres	
Plunger extended	12.28 in.
Plunger retracted	9.28 in.

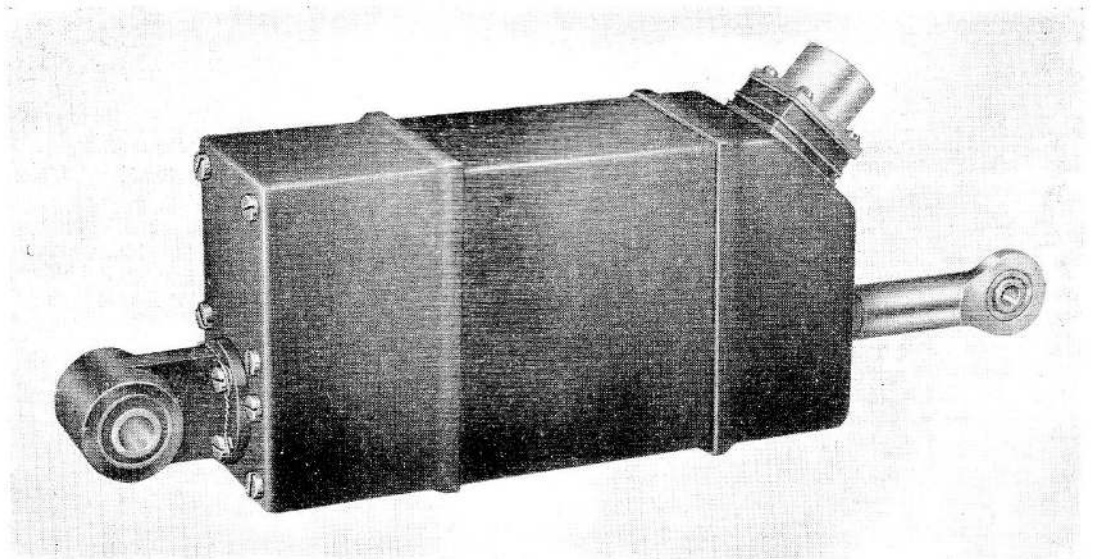


Fig. 1. General view of actuator

Introduction

1. The actuator, Type CZ54043, belongs to the Jaguar series of actuators as described in A.P.4343, Vol. 1, Sect. 17, Chap. 2, App. 9. It is used with loads, such as air intakes or fuel cocks, which in their operation require a direct thrust or pull not normally exceeding 160 lb.

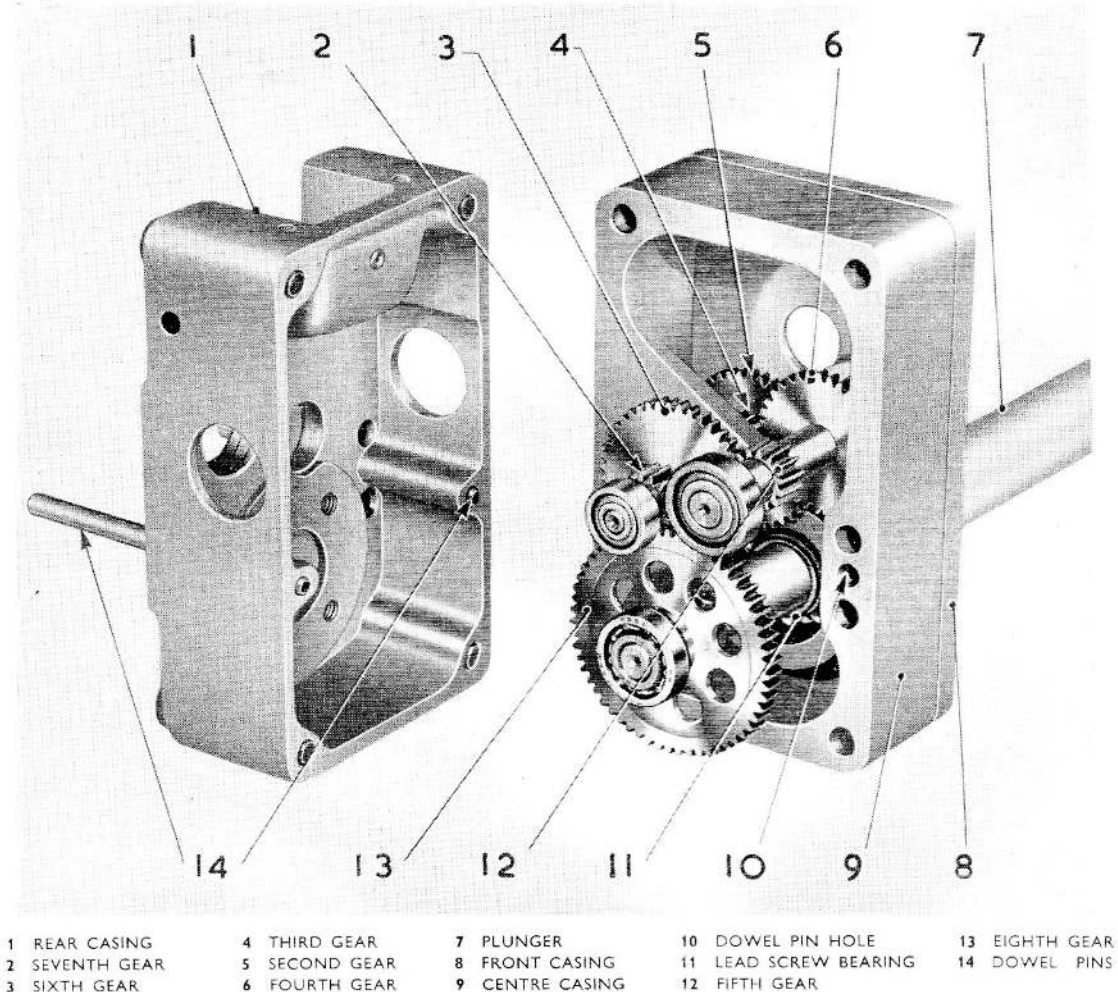
DESCRIPTION

2. The general construction is as described in the Appendix on Jaguar actuators, to which reference should be made for further information. It has, however, a lower powered motor, and a lower ratio gearbox, as illustrated in fig. 2, with no slip clutch fitted. The rear fitting is a Silentbloc bush type.

Limit switches

3. Two snap-action type limit switches are fitted on opposite sides, and near each end, of the plunger housing to control the extended and retracted positions of the plunger. A single-pole change-over arrangement is provided for a remote indicator lamp, if required.

4. The stroke of the plunger is set to its required length by altering the position of the limit switches. Such action should never be taken, however, without the permission of a competent authority, as a special setting rig is required for the purpose in order to obtain the accurate adjustment necessary for the correct functioning of the actuator.



- | | | | | |
|----------------|---------------|-----------------|-----------------------|----------------|
| 1 REAR CASING | 4 THIRD GEAR | 7 PLUNGER | 10 DOWEL PIN HOLE | 13 EIGHTH GEAR |
| 2 SEVENTH GEAR | 5 SECOND GEAR | 8 FRONT CASING | 11 LEAD SCREW BEARING | 14 DOWEL PINS |
| 3 SIXTH GEAR | 6 FOURTH GEAR | 9 CENTRE CASING | 12 FIFTH GEAR | |

Fig. 2. Gearbox

RESTRICTED

INSTALLATION

5. The instructions given in A.P.4343, Vol. 1, for Jaguar actuators, are applicable to this actuator.

SERVICING

6. The servicing of this actuator is as given for other Jaguar actuators.

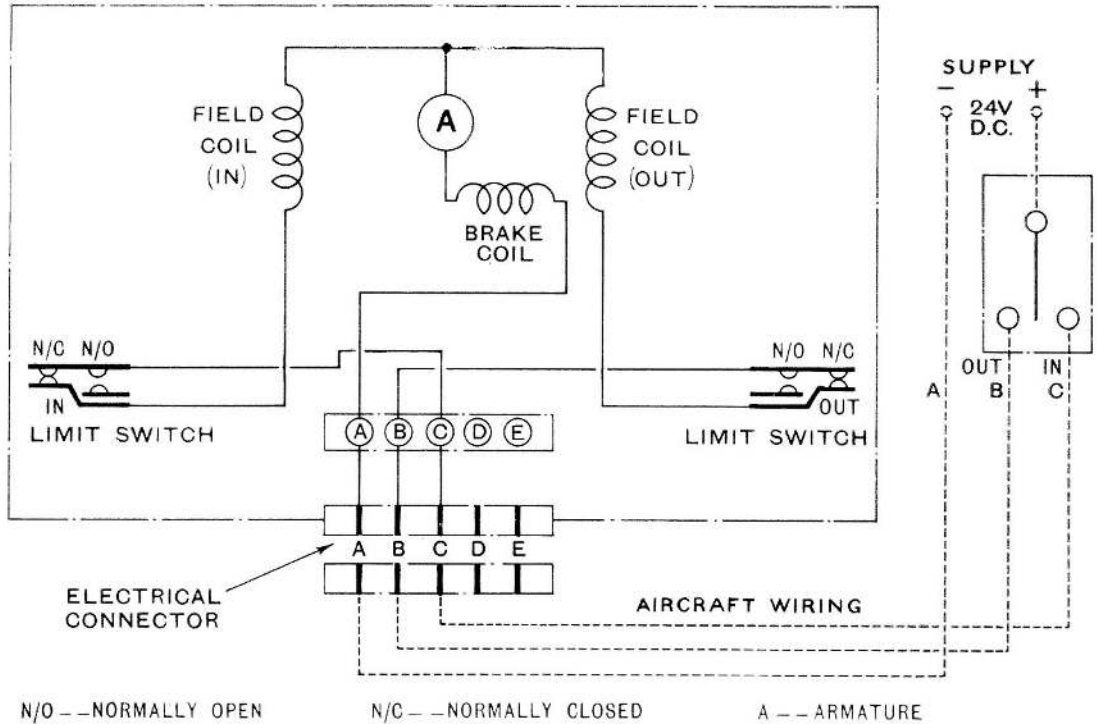


Fig. 3. Circuit diagram

This file was downloaded
from the RTFM Library.
Link: www.scottbouch.com/rtfm

Please see site for usage terms,
and more aircraft documents.

