

## Chapter 33

# ACTUATOR, PLESSEY, TYPE CZ63626/2

### LIST OF CONTENTS

	Para.		Para.
Introduction.....	1	End fittings.....	6
Description.....	3	Installation.....	7
Limit switches.....	4	Servicing.....	8

### TABLE

	Table
Measurements and type references.....	1

### LIST OF ILLUSTRATIONS

	Fig.		Fig.
General view of actuator, Type CZ63626/2.....	1	Circuit diagram.....	3
Sectional view of actuator.....	2	Installation drawing.....	4

### LEADING PARTICULARS

Operating voltage range (nominal 24 d.c.).....	18-29 d.c.
Output of motor (CZ55457).....	0.06 h.p. at 12,000 r.p.m.
Current consumption (normal load).....	1.5 amp.
<b>Working load</b>	
Normal.....	50 lb.
Maximum.....	75 lb.
Rating of motor (normal working load).....	1.5 min.
Operating time (normal working load).....	28 sec.
Weight of unit.....	2 lb. 6 oz.
Travel of plunger.....	Refer to Table I
Fixing centres retracted.....	Refer to Table I
Fixing centres extended.....	Refer to Table I

**TABLE I**

Measurements and type references

Type No. CZ	Stores Ref.	Travel of plunger			Position of rear end fitting
		Extended centres (in.)*	Retracted centres (in.)**	Stroke (in.)	
63626 /2/C	5W /322	10.42	7.42	3	↔
63626 /2/F	5W /321	8.875	6.875	2	↔
63626 /2/G	5W /318	11.88	8.88	3	↔

\*Limits  $\pm 0.03$  in.  
 $- 0.00$  in.

\*\*Limits  $\pm 0.00$  in.  
 $- 0.03$  in.

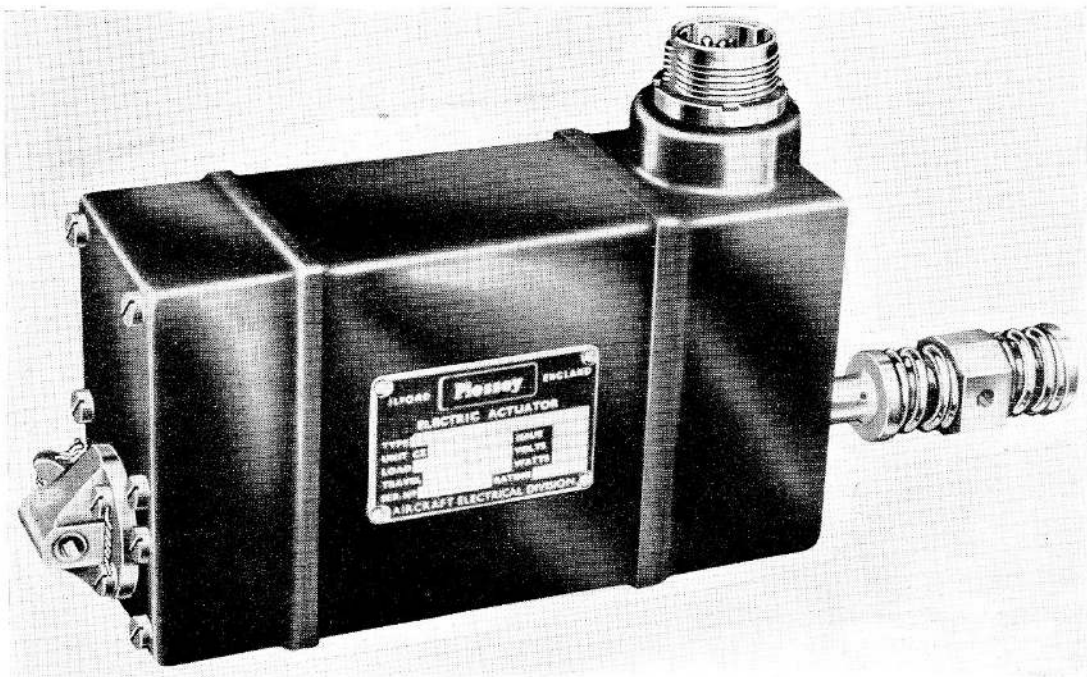


Fig. 1. General view of actuator, Type CZ63626 2

#### Introduction

1. The actuators covered in this Chapter belong to the Jaguar series as described in A.P.4343, Vol. 1, Sect. 17, Chap. 2, App. 9. Through basically similar in construction to the actuator described there, they are characterized by the fact that they provide a much slower speed of travel of the plunger due to a modified gearbox.

2. Three actuators of the range CZ63626/2 are included in this chapter, the variants being identified by a distinguishing suffix letter. The difference between each variant is solely a dimensional feature relating to the plunger travel, and full details are given in Table 1.

#### DESCRIPTION

3. Fig. 2 shows a sectional view of the actuator. The general construction is as described in the Appendix on Jaguar actuators, except that the gearbox is modified and no slip clutch is fitted; reference should be made to that Appendix for further information. The front cover casing carries a multi-pole plug for the electrical connections. The end fittings vary according to the function performed by the actuator.

#### Limit switches

4. Two snap-action limit switches are mounted one on each side near the ends of the plunger housing to control the extended and retracted positions of the plunger.

5. The stroke of the plunger is set to its required length by altering the position of the limit switches. Such action should never be taken, however, without the permission of a competent authority, as a special setting rig is required for the purpose in order to obtain the accurate adjustment necessary for the correct functioning of the actuator.

#### End fittings

6. The end fittings vary according to the function performed by the actuator; for these actuators they are as shown in fig. 2 and Table 1.

#### INSTALLATION

7. The instructions given in A.P.4343, Vol. 1 for Jaguar actuators are applicable to these actuators.

#### SERVICING

8. The servicing of these actuators is as given for other Jaguar actuators.

**RESTRICTED**

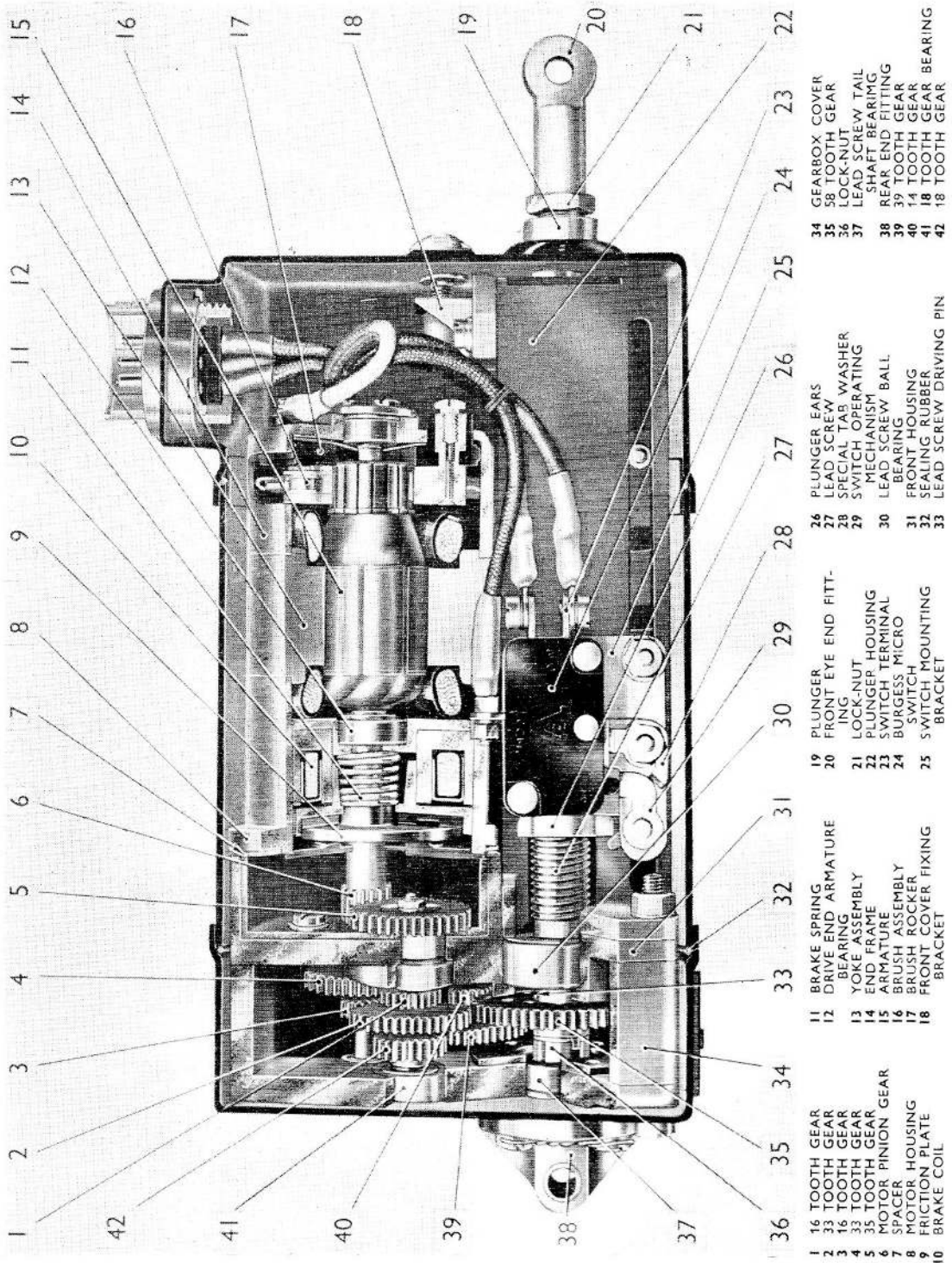


Fig. 2. Sectional view of actuator

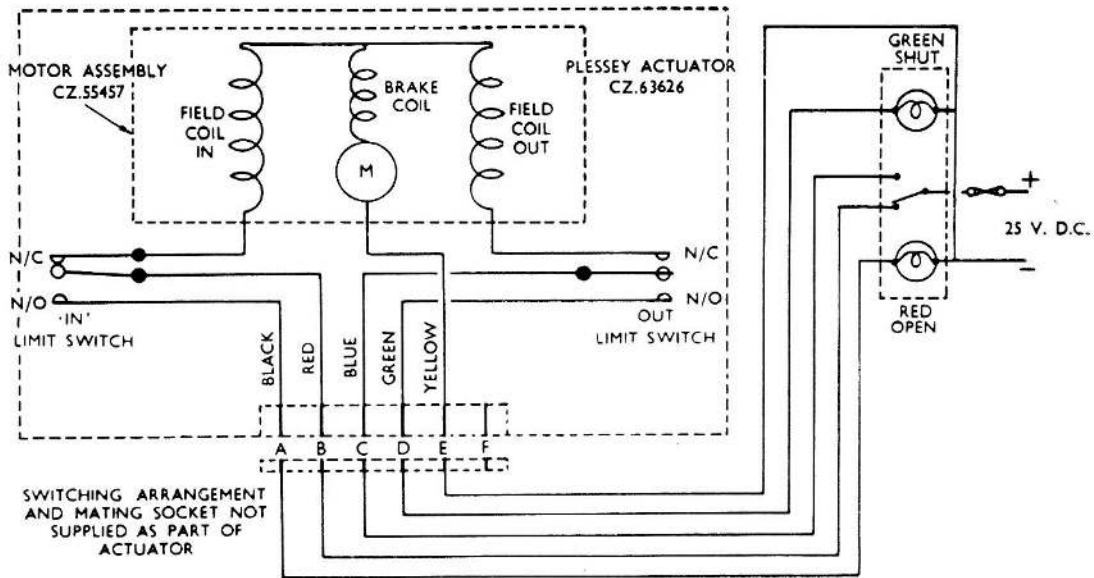


Fig. 3. Circuit diagram

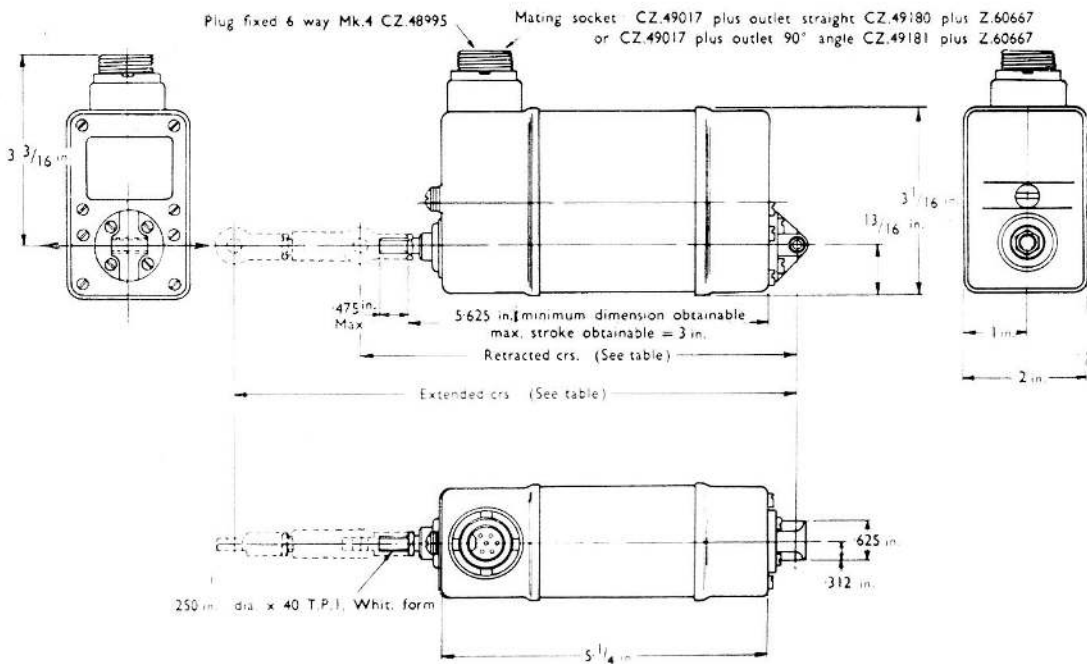


Fig. 4. Installation drawing

RESTRICTED

This file was downloaded  
from the RTFM Library.

Link: [www.scottbouch.com/rtfm](http://www.scottbouch.com/rtfm)

Please see site for usage terms,  
and more aircraft documents.

