

Chapter 55

LAMPS, READING, G.E.C., TYPES FM3749 AND FM3774

LIST OF CONTENTS

	<i>Para.</i>
<i>Introduction</i>	1
Description	2
Servicing	5

LIST OF ILLUSTRATIONS

	<i>Fig.</i>
<i>Lamp, reading, G.E.C., Type 3749</i> ...	1
<i>Lamp, reading, G.E.C., Type 3774</i> ...	2
<i>Sectional view</i>	3

LEADING PARTICULARS

Lamp, reading, G.E.C., Type FM3749	<i>Ref. No.</i>
Lamp, reading, G.E.C., Type FM3774	<i>Ref. No.</i>
<i>Lamp, filament</i>	<i>Ref. No. 5L/9952253</i>

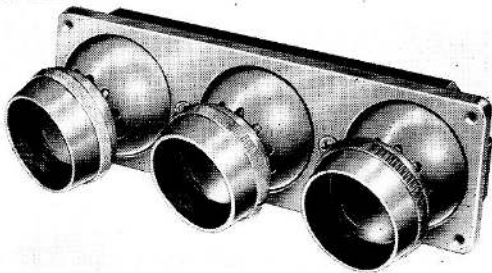


Fig. 1. Lamp, reading, G.E.C., Type 3749

Introduction

1. These lamp units shown in Fig. 1 and 2 provide individual reading lights for passengers in certain types of military transport aircraft. The units are mounted in convenient positions above the passenger seats and each lamp can be independently operated by a push ON/OFF switch.

DESCRIPTION

2. The lamps on these units are identical and consist of a die cast aluminium body to which

is attached the lens assembly. The body (fig. 3) contains a single centre contact bakelite lamp-holder which engages in two grooves cut in the lamp body. This groove allows the lamp-holders to be moved laterally thereby allowing the lamp filament to be adjusted to its correct focus position. A set screw in the lamp body retains the lampholder in position and prevents it from moving. The metal connections to the lamp filament are moulded into the bakelite lampholder and connections to the supply cable are provided by two terminal screws set into the flanged portion of the holder.

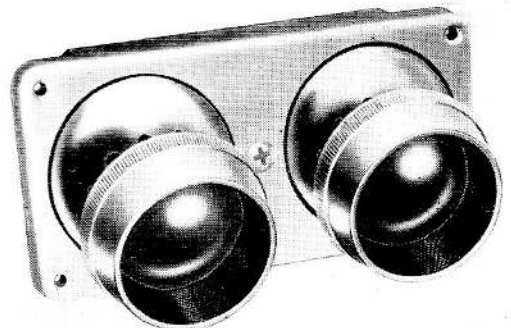


Fig. 2. Lamp, reading, G.E.C., Type 3774

3. The lens assembly consists of the lens mount, glass lens, fibre washer and lens mounting ring. The lens mount and the lens mounting ring are of die cast aluminium. The assembly is screwed into the body and secured by a Boscolin lacquer.

4. The bottom and top plate of these units are radiused to suit the spherical shape of the lamp body, the top plate being secured to the bottom plate by a Phillips recess screw. A groove cut in the external section of the body, and engaged by a retaining pin located in the bottom of the top plate, allows the lamp to be moved vertically up or down. A limited diagonal movement is also possible and the lamp is fixed in position by tightening the two clamping plates together.

SERVICING

5. Servicing is limited and periodic inspection should be carried out. Access to the filament is gained by unscrewing the lens mounting ring and removing the glass lens.

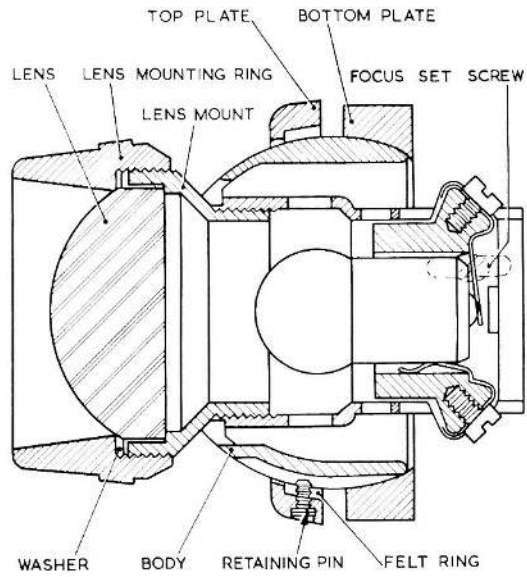


Fig. 3. Sectional view

RESTRICTED

This file was downloaded
from the RTFM Library.

Link: www.scottbouch.com/rtfm

Please see site for usage terms,
and more aircraft documents.

