

RADIO - RADAR RANGING INSTALLATION

Issued on A.L. No.1

REF. NO.	PART NO.						DESCRIPTION.	NO OFF	MATL. SPEC.	MR. CL. of ST.	PLATE NO.
		1	2	3	4	5					
	D.185239	<u>RADAR RANGING INSTALLATION, ASSEMBLY.</u>									
4122	F.198513					Block, distance, at attachment of adaptor plate to equiflex mounting.	4	DTD.364	C	M.1	
10D/18553	-					Box, junction.	1	-	A		
-	A.198088					Cable, E.12/A, group (see cable chart).	1	-	-		
1587	F.191915					Clamp, cable, at frame 3.	2	LFS.21	C	M.1	
10H/19445	-					Connector, bulkhead, 3 way.	1	-	B		
10H/19439	-					Connector, bulkhead, 2 way.	1	-	B		
10H/19451	-					Connector, bulkhead, 4 way.	1	-	B		
10H/19457	-					Connector, bulkhead, 6 way.	1	-	B		
10HA/12719	-					Connector, type B6/20B/2.	1	-	B		
10HA/12720	-					Connector, type B12/40F/2.	1	-	B		
10HA/12709	-					Connector, type B18/20C/3.	1	-	B		
10HA/12716	-					Connector, type B18/40F/1.	1	-	B		
10HA/12710	-					Connector, type B18/20C/2.	1	-	B		
10HA/12711	-					Connector, type B8/10C/1.	1	-	B		
10HA/12712	-					Connector, type B4/11C/1.	1	-	B		
10HA/12714	-					Connector, type B22/10C/1.	1	-	B		
10HA/12718	-					Connector, type B6/21C/1.	1	-	B		
10HA/12717	-					Connector, type B22/20C/1.	1	-	B		
10HA/12715	-					Connector, type B22/50E/12.	1	-	B		
10HA/12713	-					Connector, type B4/50F/7.	1	-	B		
	G.196025					Cooling system, assembly.	-	-	-		
3410	A.192388					Bracket, duct support.	1	DTD.610	MR/C	M.1	
924	Std.1682/12					Clip, pipe coupling.	4	S.3	C	5	
1680	Std.1166/4					Clip, half, attachment of cooling pipe at air intake.	1	S.3	C	4	
5699	Std.1188/10					Clip, pipe coupling.	1	DTD.610	MR/C	4	
	G.196025/1					Connection, at cooling pipes, 1.0" i/d x 1.1/8" o/d x 3.80 long.	1	Petrol & Oil Resisting Rubber.			
4736	Std.1285/6/BB					Connector, earthing.	1	-	MR/C		
1538	Std.1285/3/BB					Connector, earthing.	3	-	C	4	
4134	Std.1285/4/BB					Connector, earthing.	1	-	C		
4137	Std.1285/4/BC					Connector, earthing.	1	-	C		
27KD/12	Normalair 504300					Coupling, ground cooling.	1	-	C		
10H/16395	-					Coupling, R.H., at flexible pipe connection.	2	-	B		
3772	Std.1306/G25					Hose, pipe connection to ground cooling coupling.	1	DTD.625	MR/C	4	
676	A.187146					Pipe, 4 way piece to flexible connection.	1	T.9	C	M.1	
678	A.185957					Pipe, 4 way piece to ground cooling coupling.	1	T.9	C	M.1	

RADIO RADAR RANGING INSTALLATION

Page M2

Issued on A.L. No. 1

REF. No.	PART No.						DESCRIPTION.	NO OFF	MATL. SPEC.	MR. CL of ST.	PLATE No.
		1	2	3	4	5					
1592	A.191858					Pipe, cooling rubber connection to air intake.	1	-	C	M.1	
5696	B.205329					Pipe, junction, 4 way piece.	1	-	MR/C	M.1	
4123	A.198927					Pipe, cooling, rubber connection to inverter.	1	-	C	M.1	
1715	Std.1744/2					Sleeve, at pipe coupling.	2	Silicone Rubber	C	5	
680	F.185654					Support, for pipe at frame 3.	2	LFS.21	C	M.1	
5697	B.205318					Valve, non-return, group.	1	-	MR/B	M.1	
	F.194239					Packing.	1	DTD610			
5698	F.205322					Plate, valve.	1	-	MR/C	M.1	
669	F.185406					Pin, pivot.	1	DTD364	C	M.1	
	A.205319					Shroud.	1	-		M.1	
671	F.185336					Spring.	1	Bronze Wire	C	M.1	
672	F.185335					Washer, joint.	2	DTD378	C	M.1	
3731	Std.821/14					Washer, at attachment of cooling pipe to inverter.	1	L4 or L.34	MR/C	4	
5L/X951230						Filament, lamp.	1	-	B		
4121	F.200057					Handle, target rejector switch.	1	Rubber	C	M.1	
5UB/5083	-					Inverter, type 200.	1	-	A		
5CX/1644	-					Light, indicating.	1	-	A		
	C.196024					Mounting, radar units, assembly.	-	-			
1588	F.181900					Angle, bracing strut attachment to side beam.	2	DTD610	C	M.1	
	F.200945					Angle, for cross member.	1	L.72			
	F.200946					Angle, for cross member.	1	L.72			
	F.200947					Angle, for cross member.	1	L.72			
	F.200948					Angle, for cross member.	1	L.72			
	C.181894					Beam, mounting, port.	1	DTD610			
	C.181895					Beam, mounting, starboard.	1	DTD610			
660	F.183841					Bolt, pivot, for mounting tray.	2	S.61.B	C	M.1	
661	A.183664					Bracket, stop, port.	1	S.3	C	M.1	
658	A.183665					Bracket, stop, starboard.	1	S.3	C	M.1	
1589	A.181898					Bracket, channel, bracing strut attachment to side beam, port.	1	DTD610	C	M.1	
1590	A.181899					Bracket, channel, bracing strut attachment to side beam, starboard.	1	DTD610	C	M.1	
659	RID.1004/A					Catch, radar head unit attachment group.	2	-	B	M.1	
	B.183311					Channel, mounting of camera gun.	1	DTD610			
752	Std.1166/8					Clip, half for support clip at 4 way piece.	1	S.3	C	4	

RADIO - RADAR RANGING INSTALLATION

Issued on A.L. No.1

Page M3

REF. NO.	PART NO.						DESCRIPTION	NO OFF.	MATL. SPEC.	MR. CL. of ST.	PLATE NO.
		1	2	3	4	5					
656	A.185955					Clip, support, at 4 way piece.	1	S.3	C	M.1	
	B.200943					Cross member.	1	L.72			
	B.200944					Cross member.	1	L.72			
	B.181896					Cross member.	1	DTD.610			
2703	F.183512					Packing, bracing strut attachment to side beam, port.	1	DTD.610	MR/C	M.1	
2704	F.183513					Packing, bracing strut attachment to side beam, stbd.	1	DTD.610	MR/C	M.1	
2705	F.181902					Shim, at attachment of channel, frame 3.	2	DTD.610	MR/C	M.1	
1591	A.181897					Strut, bracing.	2	T.4	C	M.1	
2706	B.183654					Tray, mounting, group.	1	-	MR/B	M.1	
	A.183662					Bracket, latch, port.	1	DTD.610			
	A.183663					Bracket, latch, stbd.	1	DTD.610			
659	RD.1004/A					Catch, mounting, group.	2	-	B	M.1	
663	F.183670					Collar, catch pin retaining.	2	S.1	C	M.1	
664	F.183668					Pin, catch.	2	S.62.B	C	M.1	
2707	F.186519					Plate, spigot.	2	-	MR/C	M.1	
1327	Std.1547/ 24/12					Packing, at spigot plate attachment (Referenced 26AQ/620 for Admiralty).	4	DTD.610	C	4	
665	F.186750					Spring, catch pin.	2	Sp.St.	C	M.1	
	Std.1509/ 2/092					Tube, distance, 1/4" o/d x 22 s.w.g. x .92" long.	4	T.4			
3804	Std.1509/ 2/068					Tube, distance, 1/4" o/d x 22 s.w.g. x .68" long.	4	T.4	MR/C	4	
1327	Std.1547/ 24/12					Washer, packing (Referenced 26AQ/620 for Admiralty).	4	DTD.610	C	4	
673	Std.1547/ 28/10					Washer, profile (Referenced 26AQ/1998 for Admiralty).	8	DTD.610	C	4	
675	F.186124					Washer, at attachment of support clip to side beam.	2	DTD.610	C		
2789	Std.914/G/20					Washer, at attachment of channel, frame 3.	2	DTD.610	C	4	
5244	F.206012					Plate, mounting, for "locked on" light.	1	L.72	C		
3411	A.188919					Plate, adaptor, at inverter.	1	-	MR/C	M.1	
10H/18893	-					Plug, shorting, Mk.4, 18 way.	1	-	B		
10H/18892	-					Plug, shorting, Mk.4, 12 way.	1	-	B		
10D/18554	-					Radar-Head, type 2.	1	-	A		
3413	F.192842					Spacer, at inverter.	4	DTD.610	MR/C	M.1	
5F/2282	Hellerman H.V.3342					Stud, at cable strapping.	11	-	C		
5F/2280	Hellerman H.V.3255					Stud, at cable strapping.	5	-	C		
5F/2281	Hellerman H.V.3341					Strapping, cable.	60"	-	C		

RESTRICTED

RADIO - RADAR RANGING INSTALLATION

Page M4

Issued on A.L. No.1

REF. NO	PART NO	DESCRIPTION					NO OFF	MATL. SPEC	MR CL of ST	PLATE NO
		1	2	3	4	5				
5F/2279	Hellerman H.V.3254					Strapping, cable.	18"	-	C	
5CW/4178	-					Switch, target rejection.	1	-	B	
5C/4346	-					Transfer, "IN"	1	-	C	
5C/4347	-					Transfer, "OUT".	1	-	C	
10Q/16076	-					Unit, radar ranging.	1	-	A	
3764	Std.915/C/10					Washer, at indicator light mounting bracket.	2	DTD.610	C	4
10A/17930	-					Washer, check, at invertor	1	-	C	
10H/ Z970050	-					Washer, for panel mounting at frame 3.	1	-	C	
10H/ Z970051	-					Washer, for panel mounting at frame 3.	1	-	C	

RADIO -- RADAR RANGING INSTALLATION

Issued on A.L. No.1

Page M5

REF. NO.	PART NO.						DESCRIPTION	NO OFF	MATE. SPEC.	MR. CL of ST.	PLATE NO.
		1	2	3	4	5					
<u>SUMMARY OF STOCK ITEMS</u>											
28D/12511	A25.2B	Bolt,	4	B.A.							
28D/12512	A25.1C	Bolt,	2	B.A.							
28D/12513	A25.2C	Bolt,	2	B.A.							
28D/12531	A25.3C	Bolt,	2	B.A.							
28D/12532	A25.4C	Bolt,	2	B.A.							
28D/12533	A25.5C	Bolt,	2	B.A.							
28D/12566	A25.6C	Bolt,	2	B.A.							
28D/12629	A25.8C	Bolt,	2	B.A.							
28D/12516	A25.11C	Bolt,	2	B.A.							
28D/8306	AS.1242/1C	Bolt,	2	B.A.							
28D/8307	AS.1242/2C	Bolt,	2	B.A.							
28D/8309	AS.1242/4C	Bolt,	2	B.A.							
28D/12707	A25.1E	Bolt,	1/4"	B.S.F.							
28D/12518	A25.2E	Bolt,	1/4"	B.S.F.							
28D/12519	A25.3E	Bolt,	1/4"	B.S.F.							
28D/12570	A25.11E	Bolt,	1/4"	B.S.F.							
28E/8185	AGS.605/Mk.3	Clip,		jubilee							
28E/8183	AGS.1000/1	Clip,		hose							
5K/119	AGS.1661/H	Clip,		bonding							
5K/121	AGS.1661/K	Clip,		bonding							
28M/12929	A.27.C.P.	Nut,	2	B.A.							
28M/10328	AGS.2002/C1	Nut,	2	B.A.							
28M/12928	A.27.E.P.	Nut,	1/4"	B.S.F.							
28M/12930	A.27.E.S.	Nut,	1/4"	B.S.F.							
28M/10390	AGS.2001/E1	Nut,	1/4"	B.S.F.							
28M/10288	AGS.2001/C1	Nut,	2	B.A.							
28P/12431	SP.9.C6	Pin,		split.							
28P/12462	SP.9.C8	Pin,		split							
28W/12306	SP.15B	Washer,	4	B.A.							
28W/12296	SP.15C	Washer,	2	B.A.							
28W/12355	SP.16C	Washer,	2	B.A.							
28W/12496	SP.15E	Washer,	1/4"	B.S.F.							
28W/12297	SP.16E	Washer,	1/4"	B.S.F.							
28W/3097	AGS.162B	Washer,		spring.							
28P/12086	AGS.1886/J	Seal,		bonded.							
28W/13887	A32/B10	Screw,									

RADIO - D.M.E. INSTALLATION

REF. NO.	PART NO.						DESCRIPTION.	NO OFF	MATL. SPEC.	MR. CL of ST.	PLATE NO.
		1	2	3	4	5					
	D.191139	<u>D.M.E. INSTALLATION ASSEMBLY.</u>						-	-		
10D/18875	-	Box, junction, type 396.						1	-	A	
10HA/13511	-	Connector, control unit to frame 14.						1	-	A	
10HA/12455	-	Connector, frame 14 to junction box (control).						1	-	A	
10HA/12460	-	Connector, ranging unit to frame 14.						1	-	A	
10HA/12459	-	Connector, frame 14 to junction box.						1	-	A	
10HA/12458	-	Connector, power supply to junction box.						1	-	A	
10HA/12457	-	Connector, tele-mic circuit to junction box.						1	-	A	
10HA/12465	-	Connector, T.R. set to transmitter aerial.						1	-	A	
10H/12730	-	Connector, bulkhead port, at frame 14.						1	-	A	
10HA/12461	-	Connector, junction box to socket.						1	-	A	
4445	B.199075	Plate, mounting, for control unit.						1	S.84	MR/C	M.2
10H/19493	-	Plug-socket, 25 pin, type 59.						1	-	A	
10H/19457	-	Plug-socket, 6 pin, type 23.						1	-	A	
3837	Std.1606/44/B10	Screw, windhead 4 B.A.						4	Brass		5
10H/	-	Socket, assembly J/service.						1	-	A	
Z560042											
10D/18676	-	Transmitter-receiver, type T.R.3708.						1	-	A	
10L/16166	-	Unit, control, type 909.						1	-	A	
5X/	Plessey	Washer, panel mounting.						1	-	C	
	Z.970049										
5X/	Plessey	Washer, panel mounting.						1	-	C	
	Z.970051										

REF. NO.	PART NO.						DESCRIPTION.	NO OFF	MATL. SPEC.	MR. CL. of ST.	PLATE NO.
		1	2	3	4	5					
<u>SUMMARY OF STOCK ITEMS</u>											
28S/2761	A31.B.12						Screw, 4 B.A.				
28S/2760	A31.C.12						Screw, 2 B.A.				
28W/3096	AGS.162.A						Spring washer.				

RADIO EQUIPMENT - I.F.F. INSTALLATION

REF. NO.	PART NO.						DESCRIPTION.	NO OFF	MATL. SPEC.	M.R. CL. of ST.	PLATE NO.
		1	2	3	4	5					
	D.198546						<u>RADIO, I.F.F. INSTALLATION, ASSEMBLY.</u>	-	-	-	
	C.193160						Aerial, I.F.F. Mk.5 assembly.	-	-		
10AD/153	-						Adaptor, type 145.	1	-	A	
4142	A.197535						Aerial, stub.	1	-	C	M.2
4048	A.193159						Blade, aerial.	1	L.59	MR/C	M.2
3894	F.193158						Bracket.	1	Bakelite	C	M.2
3750	Std.842/10						Clip, cable, 7/16" wide x 22 s.w.g. x 1" long (Make from 30A/549).	2	S.3	MR/C	4
3971	Std.840/19						Clip, cable, 7/16" wide x 22 s.w.g. x 1.9" long (Make from 30B/1433).	2	DTD610	MR/C	4
3968	A.193134						Bracket, frame 16, mounting of control unit.	1	DTD610	MR/C	M.2
3969	F.193135						Bracket, frame 16, mounting of control unit.	1	DTD610	MR/C	M.2
	F.198443						Bracket, mounting of aerial, frame 51.	1	DTD610		
10HA/12449	-						Cable, receiver to frame 40.	1	-	B	
10HA/12450	-						Cable, frame 40 to connection.	1	-	B	
10HA/12451	-						Cable, connection to fin aerial.	1	-	B	
	A.192107						Cable, I.F.1. control unit to supply, group. (See cable chart).	1	-		
	A.192108						Cable, I.F.2. control unit to fuse panel, group (See cable chart).	1	-		
	A.192109						Cable, I.F.3. control unit to receiver, group. (See cable chart).	1	-		
	A.192110						Cable, I.F.4. control unit to receiver, group. (See cable chart).	1	-		
	A.192111						Cable, I.F.5. receiver to fuse panel, group. (See cable chart).	1	-		
3971	Std.840/19						Clip, cable, 7/16" wide x 22 s.w.g. x 1.9" long (Make from 30B/144).	16	DTD610	MR/C	4
4159	Std.841/20						Clip, cable.	1	DTD610	C	4
	F.199302						Clip, cable attachment at fin former.	1			
4143	F.170058						Cover, aerial cables, top skin (Referenced 26AQ/3567 for Admiralty).	1	-	C	M.2

RADIO EQUIPMENT - I.F.F. INSTALLATION

REF. No	PART No						DESCRIPTION	No OFF	MATL. SPEC.	MR. CL of ST.	PLATE No
		1	2	3	4	5					
10AL/	Helsyn 212						Grommet.	1	-	C	
10DB/570							Receiver, type R.3121.	1	-	A	
5F/2281	Hellerman HV.3341						Strapping, cable, 1/2" wide.	3"	-	C	
10H/	-						Socket, J/Service.	2	-	A	
Z560042											
5F/2282	Hellerman HV.3342						Stud, cable.	1	-	C	
10LB/90	-						Unit, control, type 89.	1	-	A	
10LB/91	-						Unit, control, type 90.	1	-	A	

RADIO EQUIPMENT - I.F.F. INSTALLATION

REF. NO.	PART NO.						DESCRIPTION.	NO OFF	MATL. SPEC.	MR. CL. of ST.	PLATE NO.
		1	2	3	4	5					
<u>SUMMARY OF STOCK ITEMS</u>											
28D/12620	A25.1A						Bolt, 6 B.A.				
28D/12621	A25.2A						Bolt, 6 B.A.				
28D/12528	A25.1B						Bolt, 4 B.A.				
28D/8300	AS.1242/1B						Bolt, 4 B.A.				
28M/10286	AGS.2001/A1						Bolt, 6 B.A.				
28M/10287	AGS.2001/B1						Bolt, 4 B.A.				
28M/10327	AGS.2002/B1						Bolt, 4 B.A.				
28S/2857	A32.B12						Screw, 4 B.A.				
28S/14005	A32.B14						Screw, 4 B.A.				
28S/2773	A31.B20						Screw, 4 B.A.				
28S/3510	A44.B8						Screw, 4 B.A.				
28W/12441	SP.15A						Washer, 6 B.A.				
28W/12306	SP.15B						Washer, 4 B.A.				
28W/3097	AGS.162B						Washer, spring, 4 B.A.				

RADIO EQUIPMENT - V.H.F. INSTALLATION

REF. NO.	PART NO.	DESCRIPTION					NO OFF	MATL. SPEC.	MR. CL of ST.	PLATE NO.
		1	2	3	4	5				
	D.198681	<u>RADIO V.H.F. INSTALLATION, ASSEMBLY.</u>					-	-		
10B/16728	-	Aerial, type 457.					1	-	A	
	A.196758	Block, terminal, 53 & 54, assembly.					-	-		
5X/3268	Plessey CZ. 50207	Block, terminal, 5 way.					1	-	A	
5X/3276	Plessey CZ. 50205	Block, terminal, 2 way.					1	-	A	
50/430	-	Block, terminal.					4	-	A	
2721	F.193239	Block, mounting, tel-mic plug.					1	LFS.21	MR/C	M.2
3967	B.197890	Bracket, aerial mounting.					1	LFB.89	MR/C	M.2
	F.197401	Bracket, at cable plug.					1	DTD610		
	B.199076	Bracket, mounting for controller.					1	DTD610		
	B.201461	Cable, TS5, group (See cable chart).					1	-		
	B.202145	Cable, TS4, group (See cable chart).					1	-		
	B.196598	Cable, RT1, group (See cable chart).					1	-		
	C.197044	Cable, TS3, group (See cable chart).					1	-		
10H/ Z970056	Plessey CZ. 51539	Cap, protective.					2	-	C	
	Std.840/36	Clip, at attachment of tel-mic plug mounting block.					1	DTD610	-	
3741	Std.840/20	Clip, cable attachment, frame 54.					2	DTD610	C	4
	Std.842/14	Clip, cable attachment, at terminal block.					1	S.3		
1680	Std.1166/4	Clip, half, attachment of tel-mic plug mounting block.					1	S.3	C	4
10HA/ 13675	-	Connector, frame 14 to controller.					1	-	A	
10HA/ 13674	-	Connector, frame 14 to controller.					1	-	A	
10HA/ 12586	-	Connector, TR set to frame 14.					1	-	A	
10HA/ 12587	-	Connector, TR set to frame 14.					1	-	A	
10HA/ 12591	-	Connector, aerial.					1	-		
10HA/ 12592	-	Connector, aerial.					1	-	A	
10HA/ 12589	-	Connector, control panel to frame 14.					1	-	A	
10HA/ 12588	-	Connector, frame 14 to terminal block T.M.					1	-	A	
10HA/ 12594	-	Connector, aerial to wing break.					1	-	A	
10HA/ 12593	-	Connector, wing break to relay.					1	-	A	
10HA/ 12590	-	Connector, TR set No.2 to control panel.					1	-	A	

RESTRICTED

RADIO EQUIPMENT - V.H.F. INSTALLATION

Page M. 14

REF. NO.	PART NO.	DESCRIPTION.					NO OFF	MATL. SPEC.	MR. CL of ST.	PLATE NO.
		1	2	3	4	5				
10HA/ 12599	-					Connector, TR set No.1 to control panel.	1	-	A	
10HA/ 12596	-					Connector, TR set No.2 to control panel.	1	-	A	
10HA/ 12595	-					Connector, TR set No.1 to control panel.	1	-	A	
414.1	Std.1285/2AB					Connector, earthing, at terminal block.	1	-	C	4
5L/ X951230	-					Filament, lamp, type 'A'.	1	-	A	
10AL/97	-					Grommet, type 97.	1	-	C	
	F.196149					Lamp, warning and cable group.	1	-		
	B.195965					Cable, TS2, group (See cable chart).	1	-		
5C/4191	-					Lamp, warning.	1	-	A	
4446	F.198338					Link, chain.	1	-		
2720	A.199077					Panel, access to controller.	1	DTD610	-	M.2
5X/6480	C.193238					Plate, relay mounting, group.	1	-	MR/A	-
	Plessey Z.60218					Bar, commoning.	2	-	C	-
5X/3271	Plessey CZ.52815					Block, fuse, with cover.	2	-	A	-
5X/2863	Plessey CZ.24285					Block, terminal.	2	-	A	
	C.199412					Cables, (See cable chart).				
5X/3275	Plessey CZ.26808					Cover, transparent.	2	-	C	
	F.196794/1					Label, fuse box.	1	-	-	
	F.196794/2					Label, fuse box.	1	-	-	
5X/6172	Plessey Z.50212					Link, commoning.	1	-	C	
5X/6163	Plessey Z.50210					Link, commoning.	4	-	C	
	B.193238/1					Markers, terminal.	1 set	-	-	
	B.193237					Plate, relay mounting.	1	DTD610		
5X/3278	Plessey Z.28426					Pillar, fixing.	4	-	C	
5C/3942	-					Relay, type 'S', No.1.	1	-	A	
5C/3944	-					Relay, type 'S', No.3.	3	-	A	
5X/	Plessey Z.221123					Resistor, 20 ohms.	1	-	A	
	C.191818					Plug, tele-scramble, assembly.	-	-		
1681	F.191829					Spring.	2	DTD215	C	M.2
1682	F.191957					Stop.	1	L.53	C	M.2

RADIO EQUIPMENT - V.H.F. INSTALLATION

REF. NO.	PART NO.						DESCRIPTION.	NO OFF	MATL. SPEC.	M.R. CL. of ST.	PLATE NO.
		1	2	3	4	5					
-	A.191832						Plug, tele-scramble, group. Consisting of:-	1	-		
10HA/ 93266	-						Connector, type 3570.	1	-	A	
5X/6501	-						Lug, cable.	1	-	C	
5K/2576	D.191832/1 Hellerman						Marker, cable. Sleeve, 3/4" long.	1 7	- -	C C	
5K/2580	A.P. Hellerman						Sleeve, 1.00" long.	1	-	C	
5X/2267	E.P. Flessey						Tag, quick release.	7	-	C	
5X/2276	Z.19925 Flessey						Thimble, quick release.	7	-	C	
5F/ -	Z.19980 -						Tube, dura 1/2" i/d x 1.5 m/m, S22.	1	-	C	
10H/18037	-						Plug, adaptor.	3	-	A	
10F/2312	-						Relay, type 102.	1	-	A	
3856	Std.1606/44/ G20						Screw, roundhead 2 B.A.	4	Brass	C	5
10H/2206	-						Socket, tel-mic, type 359.	2	-	A	
10H/19481	-						Socket, bulkhead, 12 way.	3	-	A	
10H/19482	-						Socket, bulkhead, 12 way, type 48.	1	-	A	
10H/19397	-						Socket, type 684.	1	-	A	
5F/2282	Hellerman HV.3342						Stud, cable.	5	-	C	
5F/2281	Hellerman HV.3341						Strapping, cable.	15"	-	C	
	F.196150						Switch and cable, group.	1	-		
	B.195966						Cable, TS1 group (See cable chart).	1	-		
10F/1786	-						Switch, push type 1290.	1	-	A	
10D/17693	-						Transmitter-receiver, type TR.1934.	1	-	A	
10D/17694	-						Transmitter-receiver, type TR.1935.	1	-	A	
10F/16827	-						Unit, relay, type 125.	1	-	A	
10H/ Z970056	-						Washer, panel mounting.	4	-	C	
	Std.1335/A18						Washer, at earth leads, frame 54.	2	-		4

RADIO EQUIPMENT - V.H.F. INSTALLATION

REF. NO.	PART NO.						DESCRIPTION.	NO OFF	MATL. SPEC.	MR. CL. of ST.	PLATE NO.
		1	2	3	4	5					
<u>SUMMARY OF STOCK ITEMS</u>											
28D/8309	AS. 1242.4C						Bolt.				
28D/12902	AS. 1248.20C						Bolt.				
28D/12532	AS. 25.4C						Bolt.				
28D/12566	A. 25.6C						Bolt.				
28D/12515	A. 25.10C						Bolt.				
28D/12630	A. 25.19C						Bolt.				
28D/12516	A. 25.11C						Bolt, 2 B.A.				
28D/13065	A. 25.5A						Bolt, 6 B.A.				
28D/12620	A. 25.1A						Bolt, 6 B.A.				
28D/12528	A. 25.1B						Bolt, 4 B.A.				
28M/10286	AGS. 2001.A1						Nut.				
28M/10287	AGS. 2001.B1						Nut.				
28M/10288	AGS. 2001.C1						Nut.				
28M/10328	AGS. 2002.C1						Nut.				
28S/2857	A. 32.B12						Screw.				
28S/13742	A. 32.C14						Screw.				
28S/2822	A. 33.A20						Screw.				
28S/2857	A. 32.B12						Screw.				
28W/12306	SP. 15.B						Washer.				
28W/12296	SP. 15.C						Washer.				
28W/12355	SP. 16.C						Washer.				
28W/12441	SP. 15.A						Washer.				

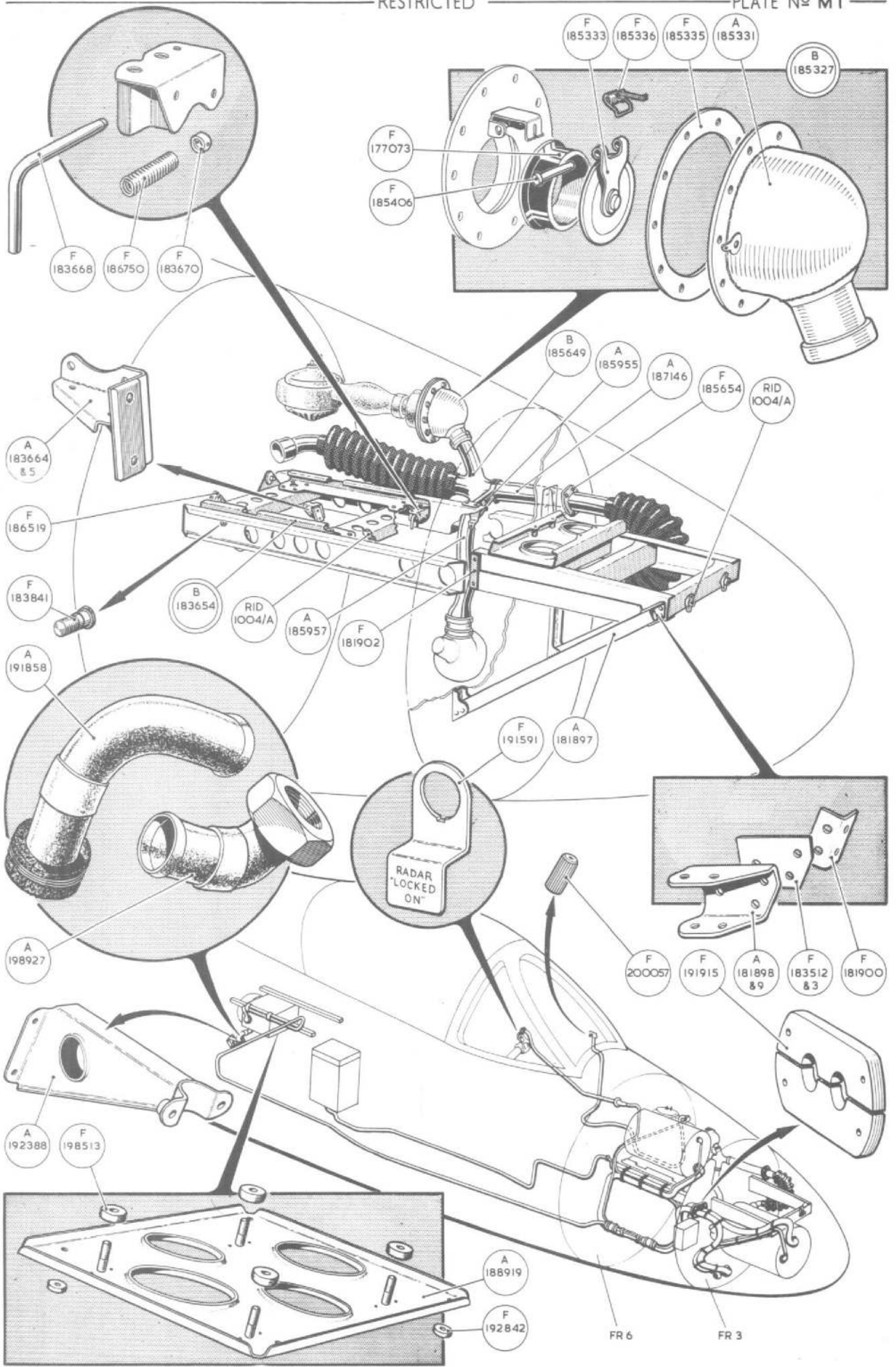
RADIO - EQUIPMENT MOUNTINGS

Issued on A.L. No.1

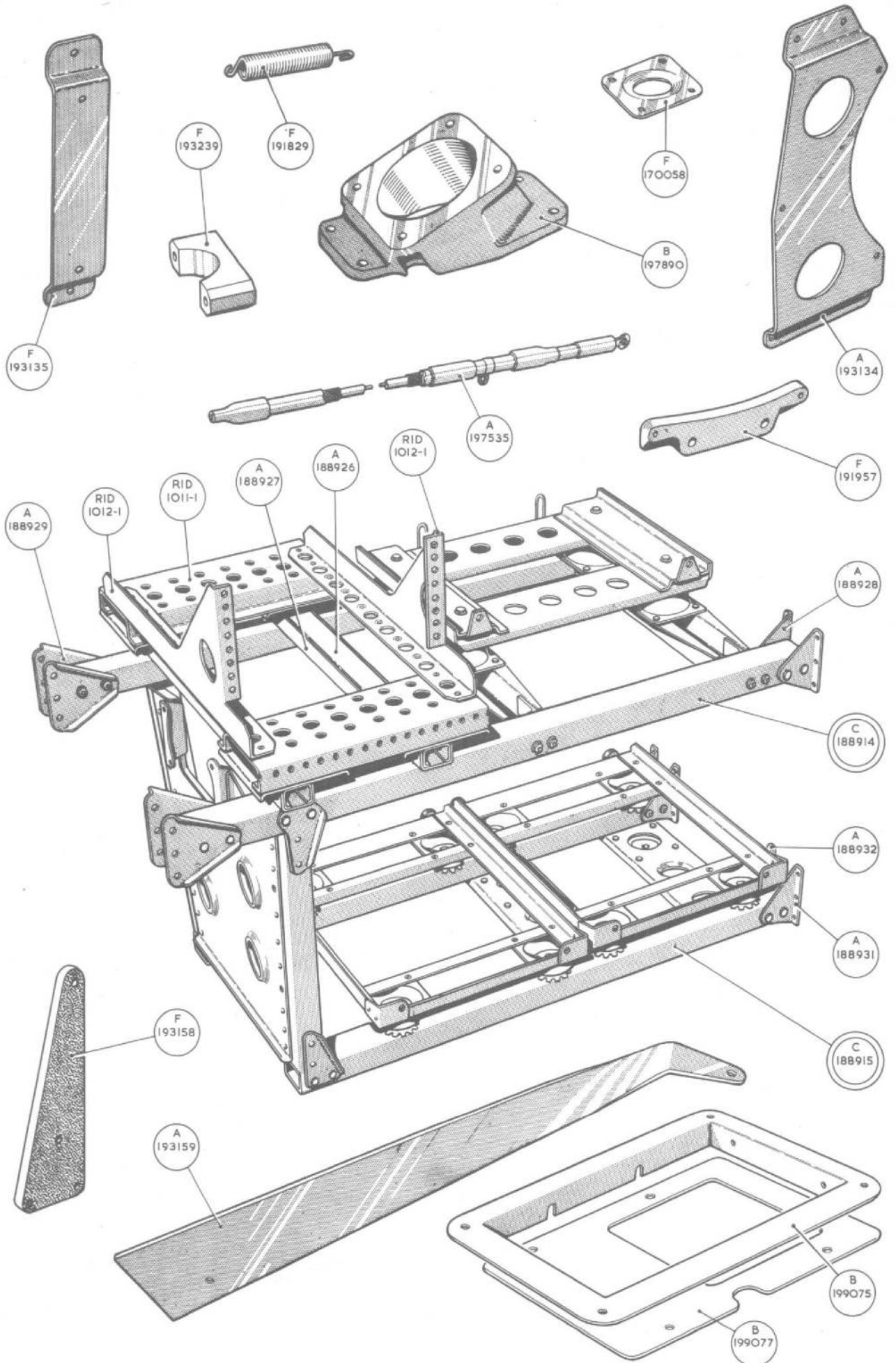
Page M19

REF. NO	PART NO						DESCRIPTION	NO OFF	MATL. SPEC	MR. CL of ST.	PLATE NO
		1	2	3	4	5					
	C.188913						<u>EQUIPMENT MOUNTINGS FOR RADIO,</u> <u>ASSEMBLY.</u>	-	-		
2713	A.188928						Bracket.	4	DTD.364	MR/C	M.2
2714	A.188929						Bracket.	4	DTD.610	MR/C	M.2
2715	A.188931						Bracket.	2	DTD.364	MR/C	M.2
2716	A.188932						Bracket.	2	DTD.364	MR/C	M.2
2717	B.188916						Diagram, end, assembly.	1	-	MR/C	-
	A.188934						Bracket	2	DTD.610		
2718	C.188915						Support, bottom fittings, assembly.	1	-	MR/C	M.2
	B.188920						Channel, support.	2	DTD.610		
10AJ/82	-						Mounting, assembly, type 873/2.	2	-	B	
10AJ/157	-						Mounting, equiflex, type 966.	3	-	B	
10AJ/162	-						Mounting, equiflex, type 971.	1	-	B	
	B.188918						Tube, support.	2	T.4		
10AJ/17930	-						Washer, check.	4	-	C	
2719	C.188914						Support, top fitting assembly.	1	-	MR/B	M.2
659	R.I.D.1004A						Catch, retaining.	2	-	C	-
4098	R.I.D.1011/1						Member, horizontal.	2	-	MR/A	M.2
10AJ/534	-						Mounting, type 1110.	1	-	B	
10AJ/140	-						Mounting, equiflex, type 951.	4	-	B	
27FP/6	Avia. Dev. A.411						Pin, "pip".	2	-	C	
	A.188944						Plate, adaptor.	4	DTD.610		
4096	R.I.D.1012/1						Rack, R.H.	1	-	MR/C	M.2
4097	R.I.D.1012/2						Rack, L.H.	1	-	MR/C	M.2
1188	A.188926						Support, fixed.	2	DTD.610	C	M.2
1189	A.188927						Support, sliding.	2	DTD.610	C	M.2
	F.186523						Washer.	8	DTD.610		

REF. NO.	PART NO.						DESCRIPTION.	NO OFF	MATL. SPEC.	MR. CL of ST.	PLATE NO.
		1	2	3	4	5					
<u>SUMMARY OF STOCK ITEMS</u>											
28D/12528	A25.1B					Bolt, 4 B.A.					
28D/12512	A25.1C					Bolt, 2 B.A.					
28D/12513	A25.2C					Bolt, 2 B.A.					
28D/12515	A25.10C					Bolt, 2 B.A.					
28D/12537	A25.14C					Bolt, 2 B.A.					
28D/12538	A25.15C					Bolt, 2 B.A.					
28D/12674	A25.9E					Bolt, 1/4" B S F					
28D/12634	A25.18E					Bolt, 1/4" B S F					
28D/8306	AS.1242.1C					Bolt, 2 B.A.					
28D/8307	AS.1242.2C					Bolt, 2 B.A.					
28M/12929	A27.C.P.					Nut, 2 B.A.					
28M/10287	AGS.2001.B1					Nut, 4 B.A.					
28M/10288	AGS.2001.C1					Nut, 2 B.A.					
28M/10290	AGS.2001.E1					Nut, 1/4" B.S.F.					
28W/12306	SP.15B					Washer, 4 B.A.					
28W/12296	SP.15C					Washer, 2 B.A.					
28W/12496	SP.15E					Washer, 1/4" i/d.					
28W/14206	SP.23C					Washer, 2 B.A.					









This file was downloaded
from the RTFM Library.

Link: www.scottbouch.com/rtfm

Please see site for usage terms,
and more aircraft documents.

