

UNDERCARRIAGE - MAIN

Issued on A.L. No. 1

REF. No.	PART No.						DESCRIPTION.	No OFF.	MATL. SPEC.	MR. CL of ST.	PLATE No.
		1	2	3	4	5					
	D. 187474-5	<u>UNDERCARRIAGE MAIN ASSEMBLY.</u>						-	-		
479	A. 187624						Bolt, attachment of jack shackle to fuselage.	2	S. 95. B	C	R. 1
480	A. 187625						Bolt, jack attachment to shackle.	2	-	C	R. 1
27A/2977	Dunlop						Cover, wheel.	2	-	B	
	D. R. 1821										
27Q/1208	Dowty						Leg, port. (Pre mod. AC/3185).	1	-	A	
	E. 7800Y/A										
27Q/1209	Dowty						Leg, starboard. (Pre mod. AC/3185).	1	-	A	
	E. 7800Y/B										
27Q/1294	Dowty						Leg, port.	1	-	A	
	E. 7900Y/A										
27Q/1295	Dowty						Leg, starboard.	1	-	A	
	E. 7900Y/B										
1568	F. 192323						Nut, jack attachment to shackle.	2	S. 95. B	C	R. 1
482	A. 187623						Shackle, jack attachment.	2	Stmpg.	C	R. 1
27A/3234	Dunlop						Tube.	2	-	B	
	D. T. 1808										
27A/3371	Dunlop						Wheel.	2	-	A	
	A. H. 50207										
3953	Std. 915/ E22						Washer, for greaser.	2	DTD. 610	C	4

UNDERCARRIAGE -- MAIN

REF. NO.	PART NO.						DESCRIPTION	NO OFF	MATL. SPEC.	MR CL of ST.	PLATE NO.
		1	2	3	4	5					
<u>SUMMARY OF STOCK ITEMS</u>											
28N/9796	S.P.21.						Nipple, greaser.				
28M/7161	A.27Y,S.S.						Nut, 3/4" B.S.F.				
28P/12721	S.P.9,H.16						Pin, split.				
28W/12499	S.P.16.S						Washer, 3/4" dia.				

UNDERCARRIAGE -- MAIN FAIRING

Issued on A.L. No. 1

Page R3

REF. NO.	PART NO.						DESCRIPTION	NO OFF	MATL. SPEC.	MR. CL. of ST.	PLATE NO.
		1	2	3	4	5					
	D.187500-1	<u>FAIRING, MAIN UNDERCARRIAGE, ASSEMBLY.</u>						-	-		
4219	F.191499	Bolt, banjo, for greaser pipe.						2	-	C	R.2
		(Referenced 26AQ/3317 for Admiralty).									
5188	E.204906	Door, wheel, port group, (with trimming allowance).						1	-	A	R.2
5189	E.204907	Door, wheel, stbd group, (with trimming allowance).						1	-	A	R.2
484	F.187537	Bolt, attachment of jack anchorage shackle.						2	S.95.B	C	R.2
4669	F.201476	Bolt, front and aft lock pin fittings.						16	S.99.B	C	R.2
487	A.173809	Fitting, pin, aft lock, port.						1	DTD.473	C	R.2
488	A.173810	Fitting, pin, aft lock, stbd.						1	DTD.473	C	R.2
489	A.173807	Fitting, pin, front lock, port.						1	DTD.473	C	R.2
490	A.173808	Fitting, pin, front lock, stbd.						1	DTD.473	C	R.2
491	C.178792	Hinge, door, port.						1	-	C	R.2
492	C.178793	Hinge, door, stbd.						1	-	C	R.2
5194	A.202797	Lever, assembly.						1	-	B	R.2
5772	F.202798	Bush,						2	BSS.250	MR/C	R.2
5773	F.201688	Roller.						2	DTD.504	MR/C	R.2
5774	F.204197	Roller,						2	L.65.C	MR/C	R.2
493	F.187533	Shackle, jack anchorage, port.						1	-	C	R.2
494	F.187534	Shackle, jack anchorage, stbd.						1	-	C	R.2
495	F.187535	Shim, at aft lock pin fitting.						4	DTD.610	C	R.2
496	F.187536	Shim, at front lock pin fitting.						4	DTD.610	C	R.2
	F.206293	Shim, at aft, lock pin fitting.						1	L.72		
	F.206294	Shim, at aft lock pin fitting.						1	L.72		
5775	F.201687	Tube, distance, at lever attachment.						2	S.95.B	MR/C	R.2
343	E.187463	Fairing, leg, port, group, (with trimming allowance).						1	-	A	R.1
344	E.187464	Fairing, leg, stbd, group (with trimming allowance).						1	-	A	R.1
497	A.187467	Panel, access to locking pin attachment bolts.						2	DTD 610	C	R.1
498	A.170012	Pin, attachment of fairing links.						2	S.1	C	R.1
499	A.187497	Pin, locking, port.						1	-	C	R.1
500	A.187498	Pin, locking, stbd.						1	-	C	R.1
3927	Std.1208/ 75/32/70	Shim, at attachment of fairing.						8	St.Steel	C	4
1534	F.187496	Washer, serrated, for lock pin.						2	S.3	C	R.1
345	D.187153	Fairing, wheel, port, group, (with trimming allowance).						1	-	A	R.2
346	D.187154	Fairing, wheel, stbd, group, (with trimming allowance).						1	-	A	R.2

UNDERCARRIAGE - MAIN FAIRING

Page R4

Issued on A.L. No.1

REF. NO.	PART NO.						DESCRIPTION.	NO OFF	MATL. SPEC.	MR CL of ST.	PLATE NO.
		1	2	3	4	5					
503	F.151366					Bolt, fairing attachment to u/c leg bracket. (Referenced 26AQ/1759 for Admiralty).	8	S.1	C	R.2	
504	Palmer 74					Cover, access for brake adjustment. (Referenced 26AQ/839 for Admiralty).	2	-	C		
505	F.187218					Nut, clamp, fairing attachment to u/c leg bracket.	8	S.92.B	C	R.2	
506	A.187178					Panel, access to bleeder screw.	2	DTD.610	C	R.2	
507	A.187180					Panel, access to jacking plug, port.	1	DTD.610	C	R.2	
508	A.187181					Panel, access to jacking plug, stbd.	1	DTD.610	C	R.2	
4671	B.203598					Panel, access to brakes.	2	L.72	C	R.2	
509	F.151365					Plate, clamp, fairing attachment to u/c leg bracket. (Referenced 26AQ/1761 for Admiralty).	8	S.1	C	R.2	
510	A.173027					Plate, fixing, fairing attachment to u/c leg bracket.	8	S.92.B	C	R.2	
511	F.151368					Sleeve, adjusting, fairing attachment to u/c leg bracket. (Referenced 26AQ/1763 for Admiralty).	8	S.2	C	R.2	
512	F.151367					Washer, fairing attachment to u/c leg bracket.	8	L.16	C	R.2	
341	D.186870					Flap, fairing, port, group.	1	-	A	R.1	
342	D.186871					Flap, fairing, stbd, group.	1	-	A	R.1	
513	F.187237					Bolt, attachment of link to bracket.	2	S.95.B	C	R.1	
514	A.186873					Bracket, link.	2	DTD.166	C	R.1	
515	‡ A.187118					Hinge, front port, rear stbd.	2	-	C	R.1	
516	‡ A.187119					Hinge, front stbd, rear port.	2	-	C	R.1	
	B.182128					Hinge, flap and leg fairing, port, group.	1	-			
	B.182129					Hinge, flap and leg fairing, stbd, group.	1	-			
3985	A.197874					Hinge, front, leg fairing, port.	1	Stmpg.	C	R.1	
3986	A.197875					Hinge, front, leg fairing, stbd.	1	Stmpg.	C	R.1	
3987	A.197876					Hinge, rear, leg fairing, port.	1	Stmpg.	C	R.1	
3988	A.197877					Hinge, rear, leg fairing, stbd.	1	Stmpg.	C	R.1	
	B.182107					Hinge, flap, port.	1	-			
	B.182108					Hinge, flap, stbd.	1	-			
549	F.182111					Link, flap, hinge.	4	S.2	C	R.1	
550	F.182112					Link, flap, hinge.	4	S.2	C	R.1	
551	F.189654					Pin, flap hinge, front, 3/16" dia. x 3.80" long.	2	St.St.	C	R.1	

UNDERCARRIAGE - MAIN FAIRING

Issued on A.L. No.1

Page R5

REF. NO.	PART NO.						DESCRIPTION.	NO OFF	MATL. SPEC.	MR. CL of ST.	PLATE NO.
		1	2	3	4	5					
552	F.189655						Pin, flap hinge, rear, 3/16" dia. x 3.35" long.	2	St.St.	C	R.1
517	A.187321						Link, u/c fairing flap, group.	2	-	B	R.1
518	F.151348						Bolt, lubricating. (Referenced 26AQ/1731 for Admiralty).	1	S.94.B	C	R.1
519	F.187323						Shackle.	1	S.1	C	R.1
520	B.187328						Link, leg fairing, group.	4	-	C	R.1
	A.187325						Bearing, rod end.	1	-		
	A.187326						Bearing, rod end.	1	-		
	A.187327						Rod, connecting.	1	-		
521	F.187324						Pin, hinge, fairing flap.	2	S.3	C	R.1
522	F.171532						Pin, hinge, leg fairing.	8	S.95.B	C	R.1
4220	A.200194						Pipe, greaser, port.	1	-	C	R.1
4221	A.200195						Pipe, greaser, stbd.	1	-	C	R.1
3983	F.197954						Plate, fairing flap hinge pin retaining.	2	DTD.610	C	R.1
3984	F.197955						Plate, fairing flap hinge pin retaining.	2	DTD.610	C	R.1
27Q/12001	Dowty S.P.815/3						Seal, for greaser pipe banjo.	4	-	C	
4222	Std.915/U/18						Washer, for greaser pipe.	2	DTD.610	C	4

UNDERCARRIAGE - MAIN FAIRING

Issued on A.L. No.1

Page R.

REF NO.	PART NO.						DESCRIPTION	NR OFF	MATL SPEC	MR CL of ST.	PLATE NO.
		1	2	3	4	5					
<u>SUMMARY OF STOCK ITEMS</u>											
28N/	AGS.636/2					Ball.					
28D/12629	A.25.8C					Bolt, 2 B.A.					
28D/8307	AS.1242/2C					Bolt, 2 B.A.					
28D/8308	AS.1242/3C					Bolt, 2 B.A.					
28D/8309	AS.1242/4C					Bolt, 2 B.A.					
28D/8310	AS.1242/6C					Bolt, 2 B.A.					
28D/11439	AS.1242/16G					Bolt, 5/16" B.S.F.					
28M/8101	AGS.572.C					Nut.					
28L/13124	A.27.CT					Nut, 2 B.A.					
28M/12930	A.27.ES					Nut, 1/4" B.S.F.					
28M/13122	A.27.GS					Nut, 5/16" B.S.F.					
28M/10288	AGS.2001/C1					Nut, 2 B.A.					
28M/10328	AGS.2002/C1					Nut, 2 B.A.					
28N/9796	S.P.21					Nipple, lubricating.					
28P/12462	SP.9.C8					Pin, split.					
28P/12465	SP.9G.12					Pin, split.					
28S/6545	A33-B6					Screw, 4 B.A.					
28W/12296	SP.15C					Washer, 2 B.A.					
28W/12496	SP.15E					Washer, 1/4" dia.					
28W/12324	SP.41G					Washer, tab.					

UNDERCARRIAGE - NOSE

Issued on A.L. No. 1

Page R9

REF. NO.	PART NO.						DESCRIPTION.	NO OFF	MATL. SPEC.	MR. CL. of ST.	PLATE NO.
		1	2	3	4	5					
	D.186306										
525	B.186301										
526	F.186302										
527	F.186304										
96	F.174080										
529	Std.323/142										
27A/2927	Dunlop D.R.2266										
27Q/954	Dowty A.4532.Y										
27Q/960	Dowty A.4503.Y										
27Q/1297	Dowty A.7878.Y										
530	A.186305										
531	F.186321										
1535	F.190431										
50W/4639	-										
27A/2928	Dunlop D.T.2200										
27Q/1122	Dowty C.3942.Y Mk.J										
27A/2981	Dunlop AH.9336										

RESTRICTED
UNDERCARRIAGE -- NOSE

Page R10

Issued on A.L. No.1

REF. NO.	PART NO.	DESCRIPTION					NO OFF	MATL. SPEC.	MR CL of ST.	PLATE NO.
		1	2	3	4	5				
<u>SUMMARY OF STOCK ITEMS</u>										
28D/12625	A.25.9B	Bolt, 4 B.A.								
28N/9796	AGS.554	Nipple, lubricating.								
28M/13121	A.27.CS.	Nut, 2 B.A.								
28L/13124	A.27.CT.	Nut, 2 B.A.								
28M/10286	AGS.2001.B1	Nut, 4 B.A.								
28M/10294	AGS.2001.N1	Nut, 1/2" B.S.F.								
28P/12462	SP.9.C.8	Pin, split.								
28W/12306	SP.15B	Washer, 4 B.A.								
28W/12245	SP.10C	Washer, 2 B.A.								

UNDERCARRIAGE - NOSE WHEEL DOORS

Issued on A.L. No.1

Page R1

REF. No.	PART No.						DESCRIPTION.	No OFF	MATL. SPEC.	MR. CL. of ST.	PLATE No.
		1	2	3	4	5					
	D.188115	<u>DOORS, NOSEWHEEL, ASSEMBLY.</u>						-	-		
681	Std.323/64N					Bolt, attachment of operating rod to rear nose wheel door (Pre mod.318).	2	S.95.B	C	4	
5387	Std.323/68N					Bolt, attachment of operating rod to rear nose wheel door (Mod.318).	2	S.95.B	C	4	
682	F.188114					Bolt, rear door attachment to keel member.	2	S.94.B	C	R.3	
56	E.177085					Door, forward, group.	1	-	A	R.3	
683	Std.323/110					Bolt, attachment of operating lever to hinge.	2	S.95.B	C	R.3	
684	F.170586					Bolt, hinge.	2	S.95.B	C	R.3	
685	Std.323/48					Bolt, attachment of door lock micro switch lever.	2	S.95.B	C	4	
4669	F.201476					Bolt, special, for front and rear lock pin.	16	S.99.B	C	R.3	
3928	F.196848					Bolt, lock attachment.	8	-	C	R.3	
686	‡ A.187661					Bracket, door lock cover support, port.	1	S.3	C	R.3	
687	‡ A.187662					Bracket, door lock cover support, starboard.	1	S.3	C	R.3	
-	B.191744					Cable, F.35 group (See cable chart).	-	-	-		
688	F.187734					Cover, spring, emergency access to door controls.	1	-	C	R.3	
689	B.187683					Cover, door lock, port.	1	DTD.213	C	R.3	
690	B.187684					Cover, door lock, starboard.	1	DTD.213	C	R.3	
691	B.188320					Hinge, port.	1	Stmpg.	C	R.3	
692	B.188321					Hinge, starboard.	1	Stmpg.	C	R.3	
693	B.187672					Lever, hinge, port.	1	Stmpg.	C	R.3	
694	B.187673					Lever, hinge, starboard.	1	Stmpg.	C	R.3	
695	F.187675					Lever, door lock micro switch.	2	Casting.	C	R.3	
4472	B.201562					Lock, door, group.	2	-	C	R.3	
697	F.187678					Piece, filling, hinge, port.	1	LFS.21	C	R.3	
698	F.187679					Piece, filling, hinge, starboard.	1	LFS.21	C	R.3	
699	F.187671					Pin, attachment of door lock lever to operating rod.	2	S.2	C	R.3	
700	B.187667					Rod, operating, door locks.	2	-	C	R.3	
5F/2282	Hellerman HV.3342					Stud, cable attachment to saddle.	1	-	C		
701	F.152686					Spring, operating rod.	2	Sp.St	C	R.3	
5CW/4639	-					Switch, micro.	2	-	B		
3785	Std.1507/24/078					Tube, distance, hinge lever stop, 3/8" o/d x 17 s.w.g. x .78" long (Make up from 30B/557).	2	T.4	MR/C	R.3	
5C/2281	Hellerman HV.3341					Strapping, cable attachment to saddle.	Q.R	-	C		

RESTRICTED

UNDERCARRIAGE - NOSE WHEEL DCORS

REF. No.	PART No.						DESCRIPTION	No OFF	MATL. SPEC.	MR. CL of ST.	PLATE No.
		1	2	3	4	5					
702	Std.1208/75/24/10						2	Shim St.	C	R.3	
57	D.177086					Door, rear, group.	1	-	A	R.3	
703	F.183256					Block, hinge.	2	-	C	R.3	
704	F.187373					Block, pivot, port.	1	Casting	C	R.3	
705	F.187374					Block, pivot, starboard.	1	Casting	C	R.3	
706	A.179926					Panel, access to hinge block attachment bolts.	1	DTD.610	C	R.3	
707	F.170584					Pin, hinge, forward nose wheel door.	2	S.94.B	C	R.3	
708	A.187814					Rod, rear nose wheel door operating group.	2	-	B	R.3	
709	F.187818					Spring.	1	DTD.239	C	R.3	
710	Std.1208/62/20/5					Shim, at attachment of rear door to keel member.	Q.R.	Shim St.	C	4	

UNDERCARRIAGE - NOSE WHEEL DOORS

Issued on A.L. No. 1

Page R13

REF. NO.	PART NO.						DESCRIPTION	NO OFF	MATL. SPEC	MR. CL of ST.	PLATE NO.
		1	2	3	4	5					
<u>SUMMARY OF STOCK ITEMS</u>											
28D/12513	A25.20					Bolt, 2 B.A.					
28D/12531	A25.30					Bolt, 2 B.A.					
28D/12533	A25.50					Bolt, 2 B.A.					
28D/12536	A25.130					Bolt, 2 B.A.					
28D/12570	A25.11E					Bolt, 1/4" B.S.F.					
28D/8316	AS.1242/130					Bolt, 2 B.A.					
28N/9796	SP.21					Nipple, lubricating.					
28M/12929	A27.OP.					Nut, 2 B.A.					
28M/13121	A27.OS.					Nut, 2 B.A.					
28M/13124	A27.OT.					Nut, 2 B.A.					
28M/12930	A27.ES.					Nut, 1/4" B.S.F.					
28M/13123	A27.JS.					Nut, 3/8" B.S.F.					
28P/12587	SP.9.C4					Pin, split.					
28P/12462	SP.9.C8					Pin, split.					
28P/12527	SP.9.C10					Pin, split.					
28P/12262	SP.9.E6					Pin, split.					
28S/14005	A32.B14					Screw, 4 B.A.					
28S/1856	A32.C12					Screw, 2 B.A.					
28W/12305	SP.13B					Washer, 4 B.A.					
28W/12252	SP.13C					Washer, 2 B.A.					
28W/12253	SP.13E					Washer, 1/4" dia.					
28W/12254	SP.13G					Washer, 5/16" dia.					
28W/12255	SP.13J					Washer, 3/8" dia.					
28W/12306	SP.15B					Washer, 4 B.A.					
28W/12296	SP.15C					Washer, 2 B.A.					
28W/704	AGS.194/4					Washer, tab.					

UNDERCARRIAGE - NOSE WHEEL DOOR OPERATING GEAR

Issued on A.L. No.1

Page R.15

REF. NO.	PART NO.						DESCRIPTION.	NO OFF	MATL. SPEC.	MR. CL. of ST.	PLATE NO.
		1	2	3	4	5					
	B.179108						<u>NOSE WHEEL DOOR OPERATING GEAR,</u> <u>ASSEMBLY.</u>	-	-		
1531	F.152672						Bolt, jack attachment to frame 3.	1	S.2	C	R.3
1533	F.156330						Bolt, jack attachment to lever.	1	S.2	C	R.3
3115	A.178904						Bracket, mounting, for cross shaft, port, group.	1	-	MR/B	R.3
117	F.178906						Bush.	1	BSS.369	C	R.3
3116	A.178905						Bracket, mounting, for cross shaft, stbd, group.	1	-	MR/B	R.3
117	F.178906						Bush.	1	BSS.369	C	R.3
27Q/955	Dowty C.4544Y						Jack, door.	1	-	A	
5857	A.208201						Rod, connecting, group.	2	-	B	R.3
28R/	AGS.589/3						Ball.	2	-	C	
5859	F.208205						Lock-nut, L.H.	1	S.1	C	R.3
5860	F.208206						Lock-nut, R.H.	1	S.1	C	R.3
5862	F.204656						Pin.	1	S.96.B or S.95.B	C	R.3
5863	F.204657						Pin.	1	S.96.B or S.95.B	C	R.3
28P/12349	S.P.9C5.						Pin, split.	2	-	C	
5861	A.208202						Rod end, complete.	1	-	C	R.3
5858	F.208203						Turnbuckle.	1	S.1	C	R.3
28L/12248	S.P.42.C						Washer, tab.	2	S.3	C	4
123	B.178910						Shaft and lever, group.	1	-	B	R.3
124	Std.532/15						Ferrule.	8	S.95.B or S.96.B	C	4
125	A.178907						Lever, for door interconnection.	1	Stpg.1699	C	R.3
126	A.178908						Lever, for door and jack.	1	Stpg.1700	C	R.3
	A.178909						Shaft.	1	T.50		
	F.168113						Spigot.	2	S.2		

UNDERCARRIAGE - NOSE WHEEL DOOR OPERATING GEAR

Issued on A.L. No.1

Page R.16

REF. NO.	PART NO.						DESCRIPTION.	NO OFF	MATL. SPEC.	M.R. CL of ST.	PLATE NO.
		1	2	3	4	5					
<u>SUMMARY OF STOCK ITEMS</u>											
28D/12515	A.25.10.C					Bolt, 2 B.A.					
28D/12536	A.15.13.C					Bolt, 2 B.A.					
28D/12539	A.25.16.C					Bolt, 2 B.A.					
28N/9796	S.P.21					Nipple, lubricating					
28N/9796	AGS.554					Nipple, lubricating					
28M/12929	A.27.CP					Nut, plain 2 B.A.					
28M/12930	A.27.E.S.					Nut, 1/4" B.S.F.					
28L/13326	A.27.GT					Nut, lock, 5/16" B.S.F.					
28L/787	A.27.G.T.L.					Nut, lock, 5/16" B.S.F.					
28P/12349	S.P.9.C5					Pin, split					
28P/12462	S.P.9.C8					Pin, split					
28W/12296	S.P.15.C					Washer, 2 B.A.					
28W/12355	S.P.16.C					Washer, 2 B.A.					
28W/12496	S.P.15.E					Washer, 1/4" dia.					

UNDERCARRIAGE - MAIN

REF. NO.	PART NO.						DESCRIPTION	NO OFF	MATL SPEC	MR. CL. of ST.	PLATE NO.
		1	2	3	4	5					
	D. 187474-5	<u>UNDERCARRIAGE MAIN, ASSEMBLY.</u>									
479	A. 187624					Bolt, attachment of jack shackle to fuselage.	2	S.95.B	C		
480	A. 187625					Bolt, jack attachment to shackle.	2	-	C		
27A/2977	Dunlop D.R. 1821					Cover, wheel.	2	-	B		
27Q/958	Dowty E.4501Y/A					Leg, port.	1	-	A		
27Q/959	Dowty E.4501Y/B					Leg, starboard.	1	-	A		
1568	F. 192323					Nut, jack attachment to shackle.	2	S.95.B	C		
482	A. 187623					Shackle, jack attachment.	2	Stamping	C		
27A/	Dunlop D.T. 1807					Tube.	2	-	B		
27A/	Dunlop A.H. 50188					Wheel.	2	-	A		
3953	Std. 915/ E22					Washer, for greaser.	2	DTD610	C		

UNDERCARRIAGE - MAIN

REF. NO.	PART NO.						DESCRIPTION.	NO OFF	MATL. SPEC.	MR. CL. of ST.	PLATE NO.
		1	2	3	4	5					
<u>SUMMARY OF STOCK ITEMS</u>											
28N/9796	S.P. 21.						Nipple, greaser.				
28M/7161	A. 27Y.S.S.						Nut, 3/4" B.S.F.				
28P/12721	S.P. 9.H. 16						Pin, split.				
28W/12499	S.P. 16S.						Washer, 3/4" dia.				

UNDERCARRIAGE -- MAIN FAIRING

REF. No.	PART No.	DESCRIPTION.					No OFF	MATL. SPEC.	MR. CL of ST.	PLATE No.
		1	2	3	4	5				
	D.187500-1	<u>FAIRING, MAIN UNDERCARRIAGE, ASSEMBLY.</u>					1	-		
339	D.186905	Door, wheel, port, group.					1	-	A	
340	D.186906	Door, wheel, starboard, group.					1	-	A	
484	F.187537	Bolt, attachment of jack anchorage shackle.					2	S.95.B	C	
485	Std.1575/ C25	Bolt, front and aft lock pin fittings.					12	S.95.B	C	
486	Std.1575/ C35	Bolt, front lock pin fitting.					4	S.95.B	C	
487	A.173809	Fitting, pin, aft lock, port.					1	DTD473	C	
488	A.173810	Fitting, pin, aft lock, starboard.					1	DTD473	C	
489	A.173807	Fitting, pin, front lock, port.					1	DTD473	C	
490	A.173808	Fitting, pin, front lock, starboard.					1	DTD473	C	
491	C.178792	Hinge, door, port.					1	-	C	
492	C.178793	Hinge, door, starboard.					1	-	C	
493	F.187533	Shackle, jack anchorage, port.					1	-	C	
494	F.187534	Shackle, jack anchorage, starboard.					1	-	C	
495	F.187535	Shim, at aft lock pin fitting.					4	DTD610	C	
496	F.187536	Shim, at front lock pin fitting.					4	DTD610	C	
343	E.187463	Fairing, leg, port, group.					1	-	A	
344	E.187464	Fairing, leg, starboard, group.					1	-	A	
497	A.187467	Panel, access to locking pin attachment bolts.					2	DTD610	C	
498	A.170012	Pin, attachment of fairing links.					2	S.1	C	
499	A.187497	Pin, locking, port.					1	-	C	
500	F.187498	Pin, locking, starboard.					1	-	C	
3927	Std.1208/ 75/32/70	Shim, at attachment of fairing.					8	St.Steel	C	
1534	F.187496	Washer, serrated for lock pin.					2	S.3	C	
345	D.187153	Fairing, wheel, port, group.					1	-	A	
346	D.187154	Fairing, wheel, starboard, group.					1	-	A	
503	F.151366	Bolt, fairing attachment to u/c leg bracket. (Referenced 26AQ/1759 for Admiralty).					8	S.1	C	
504	Palmer 74	Cover, access, for brake adjustment. (Referenced 26AQ/839 for Admiralty).					2	-	C	
505	F.187218	Nut, clamp, fairing attachment to u/c leg bracket.					8	S.92.B	C	
506	A.187178	Panel, access to bleeder screw.					2	DTD610	C	
507	A.187180	Panel, access to jacking plug, port.					1	DTD610	C	
508	A.187181	Panel, access to jacking plug, starboard.					1	DTD610	C	
509	F.151365	Plate, clamp, fairing attachment to u/c leg bracket. (Referenced 26AQ/1761 for Admiralty).					8	S.1	C	

UNDERCARRIAGE - MAIN FAIRING

Page R.4

REF. NO.	PART NO.						DESCRIPTION	NO OFF	MATL. SPEC.	MR. CL. of ST.	PLATE NO.
		1	2	3	4	5					
510	A.173027						Plate, fixing, fairing attachment to u/c leg bracket.	8	S.92.B	C	
511	F.151368						Sleeve, adjusting, fairing attachment to u/c leg bracket. (Referenced 26AQ/1763 for Admiralty).	8	S.2	C	
512	F.151367						Washer, fairing attachment to u/c leg bracket.	8	L.16	C	
341	D.186870						Flap, fairing, port, group.	1	-	A	
342	D.186871						Flap, fairing, starboard, group.	1	-	A	
513	F.187237						Bolt, attachment of link to bracket.	2	S.95.B	C	
514	A.186873						Bracket, link.	2	DTD166	C	
515	A.187118						Hinge, front port, rear starboard.	2	-	C	
516	A.187119						Hinge, front starboard, rear port.	2	-	C	
	B.182128						Hinge, flap and leg fairing, port, group.	1	-		
	B.182129						Hinge, flap and leg fairing, starboard, group.	1	-		
	A.197874						Hinge, front, leg fairing, port.	1	Stamping		
	A.197875						Hinge, front, leg fairing.	1	Stamping		
	A.197876						Hinge, rear, leg fairing, port.	1	Stamping		
	A.197877						Hinge, rear, leg fairing, starboard.	1	Stamping		
	B.182107						Hinge, flap, port.	1	-		
	B.182108						Hinge, flap, starboard.	1	-		
549	F.182111						Link, flap, hinge.	4	S.2	C	
550	F.182112						Link, flap, hinge.	4	S.2	C	
551	F.189654						Pin, flap hinge, front, 3/16" dia. x 3.80" long.	2	St.St.		
552	F.189655						Pin, flap hinge, rear, 3/16" dia. x 3.35" long.	2	St.St.		
517	A.187321						Link, u/c fairing flap, group.	2	-	C	
518	F.151348						Bolt, lubricating. (Referenced 26AQ/1731 for Admiralty).	1	S.94.B	C	
519	F.187323						Shackle.	1	S.1	C	
520	B.187328						Link, leg fairing group.	4	-	C	
	A.187325						Bearing, rod end.	1	-		
	A.187326						Bearing, rod end.	1	-		
	A.187327						Rod, connecting.	1	-		
521	F.187324						Pin, hinge, fairing flap.	2	S.3	C	
522	F.171532						Pin, hinge, leg fairing.	8	S.95.B	C	
	F.197954						Plate, fairing flap hinge pin retaining.	2	DTD610		
	F.197955						Plate, fairing flap hinge pin retaining.	2	DTD610		

UNDERCARRIAGE - MAIN FAIRING

REF. NO	PART NO						DESCRIPTION	NO OFF	MATL. SPEC	MR. CL of ST	PLATE NO
		1	2	3	4	5					
<u>SUMMARY OF STOCK ITEMS</u>											
28N/	AGS. 636/2						Ball.				
28D/12629	A. 25.8C						Bolt, 2 B.A.				
28D/8307	AS. 1242/2C						Bolt, 2 B.A.				
28D/8308	AS. 1242/3C						Bolt, 2 B.A.				
28D/8309	AS. 1242/4C						Bolt, 2 B.A.				
28D/8310	AS. 1242/6C						Bolt, 2 B.A.				
28D/11439	AS. 1242/16G						Bolt, 5/16" B.S.F.				
28M/8101	AGS. 572.C						Nut.				
28L/13124	A. 27.CT						Nut, 2 B.A.				
28M/12930	A. 27.ES						Nut, 1/4" B.S.F.				
28M/13122	A. 27.GS						Nut, 5/16" B.S.F.				
28M/10288	AGS. 2001/C1						Nut, 2 B.A.				
28M/10328	AGS. 2002/C1						Nut, 2 B.A.				
28N/9796	S.P. 21						Nipple, lubricating.				
28P/12462	SP. 9.C8						Pin, split.				
28P/12465	SP. 9G. 12						Pin, split.				
28S/6545	A33-B6						Screw, 4 B.A.				
28W/12296	SP. 15C						Washer, 2 B.A.				
28W/12496	SP. 15E						Washer, 1/4" dia.				
28W/12324	SP. 15G						Washer, 5/16" dia.				
28L/13772	SP. 41G						Washer, tab.				

UNDERCARRIAGE - NOSE

REF. NO.	PART NO.	DESCRIPTION					NO OFF	MATL. SPEC.	NR. CL. OF ST.	PLATE NO.
		1	2	3	4	5				
		<u>NOSE, UNDERCARRIAGE, ASSEMBLY.</u>					-	-	-	
525	D. 186306	Axle, nosewheel leg, group.					1	-	B	
526	B. 186301	Spigot.					1	S.98.B	C	
527	F. 186304	Bolt, attachment of jack to anchorage bracket.					1	S.95.B	C	
96	F. 174080	Bolt, contact, hydraulic sequence valve operating lever.					1	S.96.B	C	
529	Std. 323/142	Bolt, attachment of sequence valve operating lever.					1	S.2	C	
27A/2927	Dunlop D.R. 2266	Cover, outer.					1	-	B	
27Q/954	Dowty A.4532Y	Jack, retracting.					1	-	A	
27Q/960	Dowty A.4503Y	Leg.					1	-	A	
530	A. 186305	Lever, hydraulic sequence valve operating.					1	-	C	
531	F. 186321	Plate, attachment of micro switches to frames 7.					1	DTD610	C	
1535	F. 190431	Plate, attachment of micro switches to frame 8.					1	DTD610	C	
5C/4098	-	Switch, micro, type 1A.					1	-	A	
5C/4099	-	Switch, micro, type 4A.					1	-	A	
27A/2928	Dunlop D.T. 2200	Tube, inner.					1	-	B	
27Q/1122	Dowty C. 3942Y	Valve, hydraulic sequence.					1	-	A	
27A/2981	Mk. J Dunlop AH. 9336	Wheel.					1	-	A	

RESTRICTED

UNDERCARRIAGE - NOSE

Page R.10

REF. NO.	PART NO.	DESCRIPTION					NO OFF	MATL. SPEC.	MR. CL. of ST.	PLATE NO.
		1	2	3	4	5				
<u>SUMMARY OF STOCK ITEMS</u>										
28D/12625	A.25.9B	Bolt, 4 B.A.								
28N/9796	AGS.554	Nipple, lubricating.								
28M/13121	A.27.CS.	Nut, 2 B.A.								
28L/13124	A.27.CT.	Nut, 2 B.A.								
28M/10286	AGS.2001.B1	Nut, 4 B.A.								
28M/10294	AGS.2001.N1	Nut, 1/2" B.S.F.								
28P/12462	SP.9.C.8	Pin, split.								
28W/12306	SP.15B	Washer, 4 B.A.								
28W/12245	SP.10C	Washer, 2 B.A.								

RESTRICTED

UNDERCARRIAGE - NOSE WHEEL DOORS

REF. NO.	PART NO.	DESCRIPTION					NO. OFF	MATL. SPEC.	MR. CL. OF ST.	PLATE NO.
		1	2	3	4	5				
	D.188115	<u>DOORS, NOSE WHEEL ASSEMBLY.</u>					1	-		
681	Std.323/64	Bolt, attachment of operating rod to rear nose wheel door.					2	S.95.B	C	
682	F.188114	Bolt, rear door attachment to keel member.					2	S.94.B	C	
56	E.177085	Door, forward, group.					1	-	A	
683	Std.323/110	Bolt, attachment of operating lever to hinge.					2	S.95.B S.94.B	C	
684	F.170586	Bolt, hinge.					2	S.95.B	C	
685	Std.323/48	Bolt, attachment of door lock micro switch lever.					2	S.95.B	C	
3928	F.196848	Bolt, lock attachment.					8	-	C	
686	A.187661	Bracket, door lock cover support, port.					1	S.3	C	
687	A.187662	Bracket, door lock cover support, starboard.					1	S.3	C	
-	B.191744	Cable, F.35 group (see cable chart).					-	-	-	
688	F.187734	Cover, spring, emergency access to door controls.					1	-	C	
689	B.187683	Cover, door lock, port.					1	DTD213	C	
690	B.187684	Cover, door lock, starboard.					1	DTD213	C	
691	B.188320	Hinge, port.					1	Stamping	C	
692	B.188321	Hinge, starboard.					1	Stamping	C	
693	B.187672	Lever, hinge, port.					1	Stamping	C	
694	B.187673	Lever, hinge, starboard.					1	Stamping	C	
695	F.187675	Lever, door lock micro switch.					2	Casting	C	
696	B.182021	Lock, door, group.					2	-	C	
697	F.187678	Piece, filling, hinge, port.					1	LFS.21	C	
698	F.187679	Piece, filling, hinge, starboard.					1	LFS.21	C	
699	F.187671	Pin, attachment of door lock lever, to operating rod.					2	S.1	C	
700	B.187667	Rod, operating, door locks.					2	-	C	
5K/	Hellerman HV.3342	Stud, cable attachment to saddle.					1	-	C	
701	F.152686	Spring, operating rod.					2	Sp.St.	C	
5C/4098	-	Switch, micro.					2	-	A	
3785	Std.1507/24/078	Tube, distance, hinge lever stop, 3/8" o/d x 17 s.w.g. x .78" long (Make up from 30B/557).					2	T.4	MR/C	
5K/	Hellerman HV.3341	Strapping, cable attachment to saddle.					Q.R.	-	C	
702	Std.1208/75/24/10	Washer, shim, at attachment of hinge bolt.					2	Shim St.	C	
57	D.177086	Door, rear, group.					1	-	A	
703	F.183256	Block, hinge.					2	-	C	
704	F.187373	Block, pivot, port.					1	Casting	C	
705	F.187374	Block, pivot, starboard.					1	Casting	C	
706	A.179926	Panel, access to hinge block attachment bolts.					1	DTD610	C	

UNDERCARRIAGE - NOSE WHEEL DOORS

REF. NO.	PART NO.						DESCRIPTION.	NO OFF	MATL. SPEC.	MR. CL. of ST.	PLATE NO.
		1	2	3	4	5					
707	F.170584						Pin, hinge, forward nose wheel door.	2	S.94.B	C	
708	A.187814						Rod, rear nose wheel door operating group.	2	-	B	
709	F.187818						Spring.	1	DTD239	C	
710	Std.1208/62/20/5						Shim, at attachment of rear door to keel member.	Q.R.	Shim Steel	C	

UNDERCARRIAGE - NOSE WHEEL DOORS

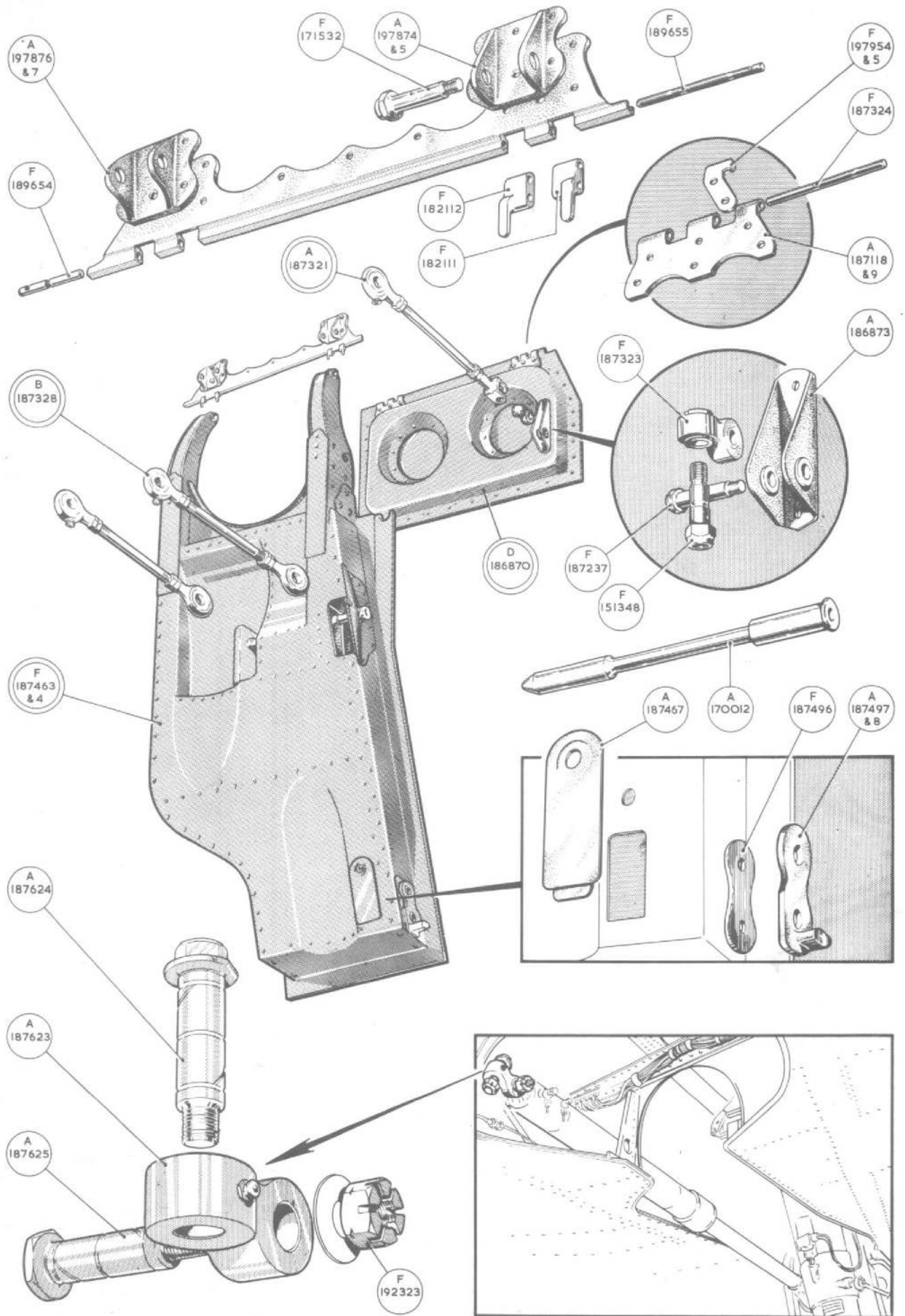
REF. NO.	PART NO.						DESCRIPTION	NO OFF	MATL. SPEC.	MR. CL. of ST.	PLATE NO.
		1	2	3	4	5					
<u>SUMMARY OF STOCK ITEMS</u>											
28D/12513	A25.2C						Bolt, 2 B.A.				
28D/12531	A25.3C						Bolt, 2 B.A.				
28D/12533	A25.5C						Bolt, 2 B.A.				
28D/12536	A25.13C						Bolt, 2 B.A.				
28D/12570	A25.11E						Bolt, 1/4" B.S.F.				
28D/8316	AS.1242/13C						Bolt, 2 B.A.				
28N/9796	SP.21						Nipple, lubricating.				
28M/12929	A27.CP.						Nut, 2 B.A.				
28M/13121	A27.CS.						Nut, 2 B.A.				
28M/13124	A27.CT						Nut, 2 B.A.				
28M/12930	A27.ES.						Nut, 1/4" B.S.F.				
28M/13123	A27.J.S.						Nut, 3/8" B.S.F.				
28P/12587	SP.9.C4						Pin, split.				
28P/12462	SP.9.C8						Pin, split.				
28P/12527	SP.9.C10						Pin, split.				
28P/12262	SP.9.E6						Pin, split.				
28S/14005	A32.B14						Screw, 4 B.A.				
28S/2856	A32.C12						Screw, 2 B.A.				
28S/-	A32.C26						Screw, 2 B.A.				
28W/12305	SP.13B						Washer, 4 B.A.				
28W/12252	SP.13C						Washer, 2 B.A.				
28W/12253	SP.13E						Washer, 1/4" dia.				
28W/12254	SP.13G						Washer, 5/16" dia.				
28W/12255	SP.13J						Washer, 3/8" dia.				
28W/12306	SP.15B						Washer, 4 B.A.				
28W/12296	SP.15C						Washer, 2 B.A.				
28W/704	AGS.194/4						Washer, tab.				

UNDERCARRIAGE - NOSEWHEEL DOOR OPERATING GEAR

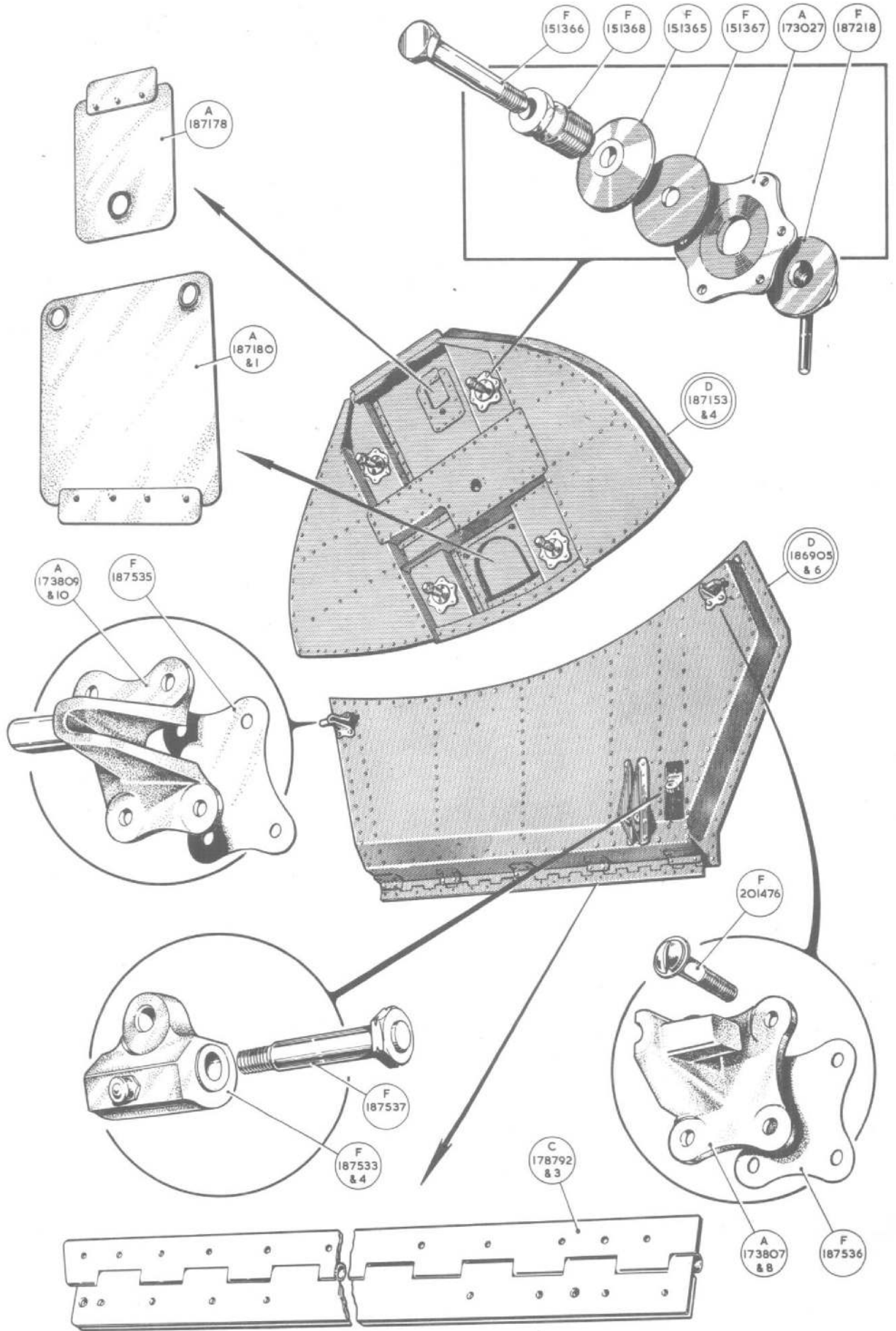
REF. NO	PART NR	DESCRIPTION					NO OFF	MATL SPEC	MR CL of ST	PLATE NO
		1	2	3	4	5				
	B. 179108	<u>GA OF NOSE WHEEL DOOR OPERATING GEAR ASSEMBLY.</u>					-	-	-	
1531	F. 152672	Bolt, jack attachment to frame 3.					1	S. 2	C	
1533	F. 156330	Bolt, jack attachment to lever.					1	S. 2	C	
3115	A. 178904	Bracket, mounting, for cross shaft, port, group.					1	-	MR/B	
117	F. 178906	Bush.					1	BSS369	O	
3116	A. 178905	Bracket, mounting, for cross shaft, starboard, group.					1	-	MR/B	
117	F. 178906	Bush.					1	BSS369	C	
27Q/955	Dowty C. 4544Y	Jack, door.					1	-	A	
118	A. 179107	Rod, connecting, group.					2	-	B	
28R/1575	AGS. 589/3	Ball.					1	-	C	
	F. 192174	Pin.					1	S. 96. B, or S. 95. B	C	
120	F. 156572	Pin. (Referenced 26AQ/2040 for Admiralty).					1	S. 96. B, or S. 95. B	C	
28P/12349	S. P. 9C5	Pin, split.					1	-	C	
28R/10911	AGS. 593/L	Rod end, complete.					1	-	C	
121	F. 179105	Tie rod.					1	S. 94. B	C	
122	Std. 1310/2	Washer, tab. (Referenced 26AQ/2050 for Admiralty).					2	S. 3	C	
123	B. 178910	Shaft and lever, group.					1	-	B	
124	Std. 532/15	Ferrule.					8	S. 95. B, or S. 96. B	C	
125	A. 178907	Lever, for door interconnection.					1	Stpg. 1699	C	
126	A. 178908	Lever, for door and jack.					1	Stpg. 1700	C	
	A. 178909	Shaft.					1	T. 50		
	F. 168113	Spigot.					2	S. 1		

UNDERCARRIAGE - NOSEWHEEL DOOR OPERATING GEAR

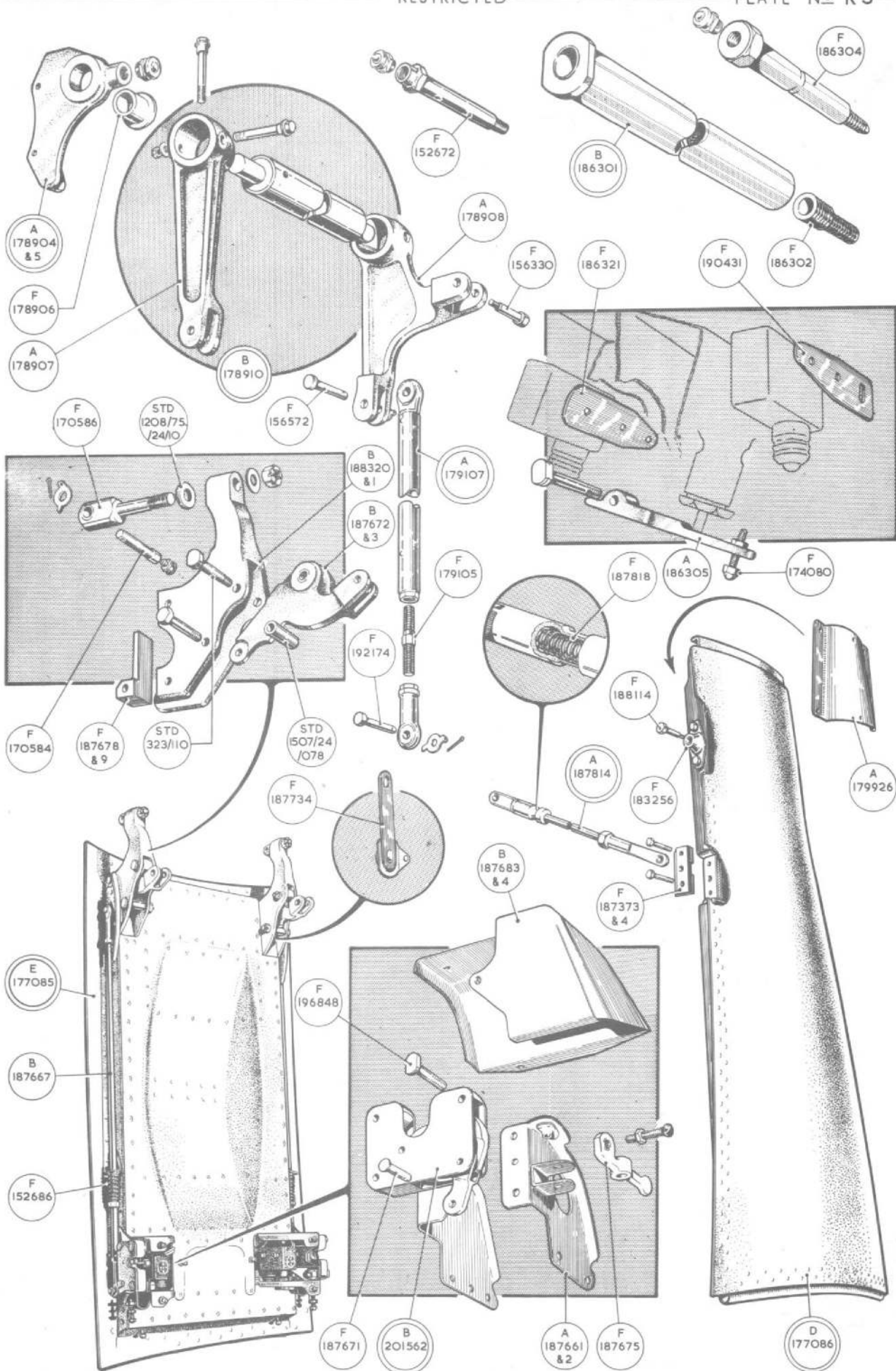
REF. NO.	PART NO.	DESCRIPTION					NO OFF	MATL SPEC	MR. CL of ST	PLATE NO.
		1	2	3	4	5				
<u>SUMMARY OF STOCK ITEMS</u>										
28D/12515	A.25.10.C	Bolt, 2 B.A.								
28D/12536	A.25.13.C	Bolt, 2 B.A.								
28D/12539	A.25.16.C	Bolt, 2 B.A.								
28N/9796	S.P.21	Nipple, lubricating.								
28N/9796	AGS.554	Nipple, lubricating.								
28M/12929	A.27.CP	Nut, plain, 2 B.A.								
28M/12930	A.27.E.S.	Nut, 1/4" B.S.F.								
28L/13326	A.27.GT	Nut, lock, 5/16" B.S.F.								
28L/787	A.27.G.T.L.	Nut, lock, 5/16" B.S.F.								
28P/12349	S.P.9.C5	Pin, split.								
28P/12462	S.P.9.C8	Pin, split.								
28W/12296	S.P.15.C	Washer, 2 B.A.								
28W/12355	S.P.16.C	Washer, 2 B.A.								
28W/12496	S.P.15.E	Washer, 1/4" dia.								













This file was downloaded
from the RTFM Library.

Link: www.scottbouch.com/rtfm

Please see site for usage terms,
and more aircraft documents.

