

GROUP A3**LOCATION OF EQUIPMENT****LIST OF CONTENTS**

	<i>Para.</i>		<i>Para.</i>
<i>Introduction</i>	1	<i>Location of electrical equipment</i>	4
<i>Master index of electrical equipment</i>	2	<i>Access to electrical equipment</i>	5
<i>Cable assembly layout</i>	3		

LIST OF ILLUSTRATIONS

	<i>Fig.</i>		<i>Fig.</i>
<i>Cable assembly layout</i>	1	<i>Rear fuselage</i>	5
<i>Location</i>		<i>Main planes</i>	6
<i>Cockpit</i>	2	<i>Access panels (top surfaces)</i>	7
<i>Front fuselage</i>	3	<i>Access panels (bottom surfaces)</i>	8
<i>Centre fuselage</i>	4		

Introduction

1. Reference should be made to this group to locate and find the means of access to the various electrical components. The group contains a master index of all the equipment and the panels used to gain access to the components. This index also forms the key to the illustrations showing the location of the equipment. A layout of the cable

assemblies, for use in conjunction with the routing diagrams, is also included.

MASTER INDEX OF ELECTRICAL EQUIPMENT

2. The master index (*Table 1*) should be used in conjunction with the location and access panel illustrations in finding the location of, and access to, the electrical com-

ponents. The components are listed under the title of the circuit in which they are employed, each item being referenced by a number corresponding to that given in the location and access panel illustrations. The illustrations on which the components and access panels are shown are also indicated in the index.

TABLE 1
Master index of electrical equipment

Item number	Equipment	Figure number for		Item number	Equipment	Figure number for	
		Location	Access			Location	Access
MAJOR COMPONENTS				GENERATORS AND BATTERIES—<i>contd.</i>			
1	J.B.1	4	8	22	Battery relay	3	8
2	J.B.2	2	—	23	Hold off relays	3	8
3	A.C. J.B.	2	—	24	Regulator relays	3	8
4	Supply panel	3	8	25	Reset switches	3	8
5	Generator control panel	3	8	26	Voltage regulators	3	8
6	Leg panel	2	—	27	Crash relays	3	8
7	Gun-firing panel	3	8	28	Field circuit breakers	3	8
8	Cockpit port shelf	2	—	29	Differential cut-outs	3	8
9	Cockpit starboard shelf	2	—	30	Remote voltage trimmers	3	8
10	ARM J.B.1	3	8	ENGINE STARTING			
11	ARM J.B.2	2	—	31	Starter selector switch	2	—
GENERATORS AND BATTERIES				32	Ignition switch	2	—
12	Generators	4	8	33	Limiting resistance	2	—
13	Suppressors	4	8	34	Master switch	2	—
14	Batteries	3	8	35	Igniter relay	3	8
15	External supply plug	3	8	36	Time switch	2	—
16	Battery master switch	2	—	37	Relight switch	2	—
17	Power failure warning lamps	2	—	38	Circuit breaker	2	—
18	Power failure indicators	3	8	39	Starter	4	8
19	Main circuit breakers	3	8	40	High-energy igniter units	4	8
20	Test sockets	3	8	41	Igniter plugs	4	8
21	Ammeter shunts	3	8	42			

RESTRICTED

TABLE 1—Master index of electrical equipment—*contd.*

Item number	Equipment	Figure number for		Item number	Equipment	Figure number for	
		Location	Access			Location	Access
FIRE WARNING AND EXTINGUISHER*				ENGINE ANTI-ICING—<i>contd.</i>			
43	Switch and warning lamp	2	—	61	Magnetic indicator	2	—
44	Relay X	3	8	62	Gate valve actuator	4	7
45	Inertia switches	3	8	63			
46	Extinguisher bottle	4	8	RUDDER AND AILERON TRIM CONTROLS AND INDICATORS			
47	Flame switches	4 and 5	8	64	Trim switch	2	—
TANK PUMPS				65	Indicators	2	—
48	Pumps... ..	4	8	66	Rudder tab actuator	5	7
49	Suppressor	4	8	67	Aileron tab actuator... ..	6	7
50	Circuit breakers	2	—	68	Rudder tab Desynn transmitter ...	5	7
51	Control switches	2	—	69	Aileron tab Desynn transmitter ...	6	7
52	Ammeter test socket	2	—	70			
53	Test switch	2	—	ELEVATOR AND AILERON POWER CONTROLS			
54				71	Control switches	2	—
55				72	Magnetic indicators	2	—
PRESSURE RE-FUELLING				73	Elevator solenoid valve	5	8
56	Time switch	6	8	74	Aileron solenoid valve	6	8
57	Solenoid valves	4	8	75	Elevator indicator micro switch ...	5	8
58	Fluid level switches	4 and 6	7	76	Aileron indicator micro switches ...	6	7
59				77			
ENGINE ANTI-ICING							
60	Switch	2	—				

TABLE 1—Master index of electrical equipment—contd.

Item number	Equipment	Figure number for		Item number	Equipment	Figure number for	
		Location	Access			Location	Access
HYDRAULIC PRESSURE INDICATOR				FLAP POSITION INDICATOR			
78	Pressure switch	3	8	95	Desynn transmitter	6	8
79	Indicator lamp	2	—	96	Indicator	2	—
80				97			
TAIL PLANE CONTROL				HOOD CONTROL			
81	Actuator	5	7	98	Motor	2	—
82	Normal control switch	2	—	99	Relay unit	2	—
83	Stand-by control switch	2	—	100	Hood seal valve	3	7
84	Interference switch	2	—	101	Control switch	2	—
85	Main contactor	5	8	102	Forward limit switch	2	—
86	Standby contactor	5	8	103	Circuit breaker	2	—
87	Circuit breaker	2	—	104	External control switch	3	7
TAIL PLANE POSITION INDICATOR				CABIN PRESSURIZATION AND TEMPERATURE CONTROL			
88	Desynn transmitter	5	7	105	Selector plugs	2	—
89	Indicator	2	—	106	Rear limit switch	3	8
90							
FLAP CONTROL				107	Pressurization control switch	2	—
91	Selector switch	2	—	108	Temperature control switch	2	—
92	Drum follow-up switch	6	8	109	Temperature selector	2	—
93	Solenoid valve	6	8	110	Hood interlock relay	2	—
94				111	Flood control relay	2	—
				112	Audio warning relay... ..	2	—

RESTRICTED

TABLE 1—Master index of electrical equipment—contd.

Item number	Equipment	Figure number for		Item number	Equipment	Figure number for	
		Location	Access			Location	Access
CABIN PRESSURIZATION AND TEMPERATURE CONTROL—contd.				ALIGHTING GEAR INDICATOR			
113	Altitude switch	2	—	131	Indicator	2	—
114	Pressure warning test switch ...	2	—	132	Warning lamp	2	—
115	Temperature control valve actuator	3	7	133	Throttle micro switch	2	—
116	Suppressor	3	7	134	Leg and door micro switches ...	3 and 6	8
117	Follow-up resistor	3	7	135			
118	Cabin element	2	—	136			
119	Cabin pressure control valve ...	2	—	137			
120	Magnetic amplifier	2	—	138			
121	Extractor solenoid	2	—	139			
122	Air supply valve actuator	4	7	WINDSCREEN DE-ICING PUMP			
123	Pressure warning lamp	2	—	140	Control switch	2	—
124	Audio warning cut-out switch ...	2	—	141	Pump	3	8
125	Flood switch	2	—	142			
126				A.C. SUPPLIES			
ALIGHTING GEAR CONTROL				143	Inverters	2	—
127	Control push-buttons	2	—	144	Torque switches	2	—
128	Solenoid valve	6	8	145	Suppressors	2	—
129				146	Auto-transformer	2	—
130				147	Stand-by test switch	2	—
				148	Normal supply failed indicator ...	2	—

TABLE 1—Master index of electrical equipment—contd.

Item number	Equipment	Figure number for		Item number	Equipment	Figure number for	
		Location	Access			Location	Access
A.C. SUPPLIES— <i>contd.</i>				NAVIGATION LAMPS— <i>contd.</i>			
149	Normal circuit breaker	2	—	168			
150	Stand-by circuit breaker	2	—	169			
151	Relay A	2	—	PRESSURE HEAD HEATER			
152	Relay B	2	—	170	Control switch	2	—
153	Relay C	2	—	171	Heater element	6	—
154	Relay D	2	—	SERVICE LAMPS			
155	Relay E	2	—	172	Nose bay lamp	3	8
156	Relay F	2	—	173	Radio bay lamp	3	8
157				174	Starter bay lamp	4	8
CABIN LIGHTING				175			
158	Dimmer switches	2	—	GUN-FIRING			
159	U/V lamps	2	—	176	Firing trigger	2	—
160	Red lamps	2	—	177	Alighting gear compression micro switches	6	8
161	Stand-by lamps	2	—	178	Butt switch	2	—
162	Stand-by battery	2	—	179	Inverter	3	8
163	Stand-by lamp switch	2	—	180	Safety relay	3	8
NAVIGATION LAMPS				181	Firing relay	3	8
164	Control switch	2	—	182	Circuit breaker	3	8
165	Wing tip lamps	6	7	183	Box electrics	3	8
166	Tail lamp	5	7	184			
167							

RESTRICTED

TABLE 1—Master index of electrical equipment—contd.

Item number	Equipment	Figure number for		Item number	Equipment	Figure number for	
		Location	Access			Location	Access
GUN VENTILATION				RADIO SUPPLIES—contd.			
185	Ventilation relay	3	8	203	Circuit breaker	3	8
186	Actuator	3	8	204			
187				205			
GUN HEATING				206			
188	Thermostat	3	8	TERMINAL BLOCKS			
189	Hot air valve actuator	3	8	207	T.B.1	3	8
190				208	T.B.2	3	8
G.45 CAMERA				209	T.B.3	2	—
191	Camera	3	7	210	T.B.4	2	—
192	Gyro caging and camera relay ...	2	—	211	T.B.5	3	8
193	Master switch	2	—	212	T.B.6	2	—
194	Sunny/cloudy switch	2	—	213	T.B.7	2	—
195	Camera push-switch	2	—	214			
196				215	T.B.9	2	—
RADIO SUPPLIES				216	T.B.10... ..	2	—
197	V.H.F. set selector switch	2	—	217	T.B.11... ..	4	8
198	V.H.F. press-to-transmit switch ...	2	—	218	T.B.12... ..	4	8
199	Radar ranging switch	2	—	219			
200	Radar test switch	2	—	220			
201	Radar supply indicator	2	—	221	T.B.21... ..	6	8
202	Inverter, Type 200	3	8	222	T.B.22... ..	6	7

TABLE 1—Master index of electrical equipment—contd.

Item number	Equipment	Figure number for		Item number	Equipment	Figure number for	
		Location	Access			Location	Access
TERMINAL BLOCKS—contd.				TERMINAL BLOCKS—contd.			
223	T.B.23... ..	6	8	244	T.B.47... ..	5	8
224	T.B.24... ..	6	8	245	T.B.48... ..	5	8
225	T.B.25... ..	6	8	246	T.B.49... ..	5	7 and 8
226	T.B.26... ..	6	8	247	T.B.50... ..	5	7 and 8
227	T.B.27... ..	6	8	248	T.B.51... ..	5	7 and 8
228	T.B.28... ..	6	8	249	T.B.52... ..	5	7 and 8
229	T.B.29... ..	6	8	250	T.B.53... ..	5	8
230				251	T.B.54... ..	5	8
231				252	T.B.55... ..	5	7
232	T.B.32... ..	6	8	253	T.B.56... ..	5	—
233	T.B.33... ..	6	8	254			
234	T.B.34... ..	6	8	255	T.B.63... ..	3	8
235	T.B.35... ..	6	8	256	T.B.64... ..	3	—
236				257			
237				258			
238				259			
239	T.B.42... ..	5	8	AIR BRAKE CONTROL			
240	T.B.43... ..	5	8	260	Control switch	2	—
241	T.B.44... ..	5	8	261	Undercarriage emergency micro switch	2	—
242	T.B.45... ..	5	7	262	Air brake relay box	2	—
243	T.B.46... ..	5	7				

RESTRICTED

TABLE 1—Master index of electrical equipment—contd.

Item number	Equipment	Figure number for		Item number	Equipment	Figure number for	
		Location	Access			Location	Access
AIR BRAKE CONTROL—contd.				ARMAMENT SERVICES—contd.			
263	Pressure switch	5	—	277	Circuit breaker	3	8
264	Solenoid valves	5	—	278	Re-set switch	3	8
265	Magnetic indicator	2	—	279	Re-set indicator	3	8
266	Forward micro switch	5	—	280	Practice/normal switch	6	8
267	Aft micro switch	5	—	281	Nose fuzing unit	6	8
268				282	Tail fuzing unit	6	8
269				283	Cock test socket	6	8
ARMAMENT SERVICES				284	Jettison solenoid	6	8
270	Bomb/R.P. switch	2	—	285	Release unit	6	8
271	Fuzing selector	2	—	286			
272	Jettison switch	2	—	287	Type B series relay	6	8
273	Bomb/R.P. relay	2	—	288	Practice lamp socket	6	8
274	Fuzing relay	2	—	289	V.T. fuze socket	6	8
275	Jettison relay... ..	2	—	290	Pylon T.B.1	6	8
276	R.P. assessment relay	2	—	291	Pylon T.B.2	6	8

CABLE ASSEMBLY LAYOUT (fig. 1)

3. This illustrates diagrammatically the run of the cable assemblies between the various junction boxes, panels, shelves and the equipment. It also gives the cable assembly, terminal block and earth point references and should be used in conjunction with the routing diagrams when it is required to trace the run of the cable assemblies throughout the aircraft.

LOCATION OF ELECTRICAL EQUIPMENT

4. The location in the aircraft of all the electrical equipment is illustrated in fig. 2 to 6 inclusive. These illustrations should be used in conjunction with the master index of electrical equipment, given in Table 1, when it is required to locate any items of equipment.

ACCESS TO ELECTRICAL EQUIPMENT

(fig. 7 and 8)

5. The position on the aircraft of all the access panels which require opening or removing to gain access to the electrical equipment is given on the illustrations. The illustrations should be used in conjunction with Table 1 when it is required to obtain access to a particular component.

EARTH POINTS-STUD TYPE

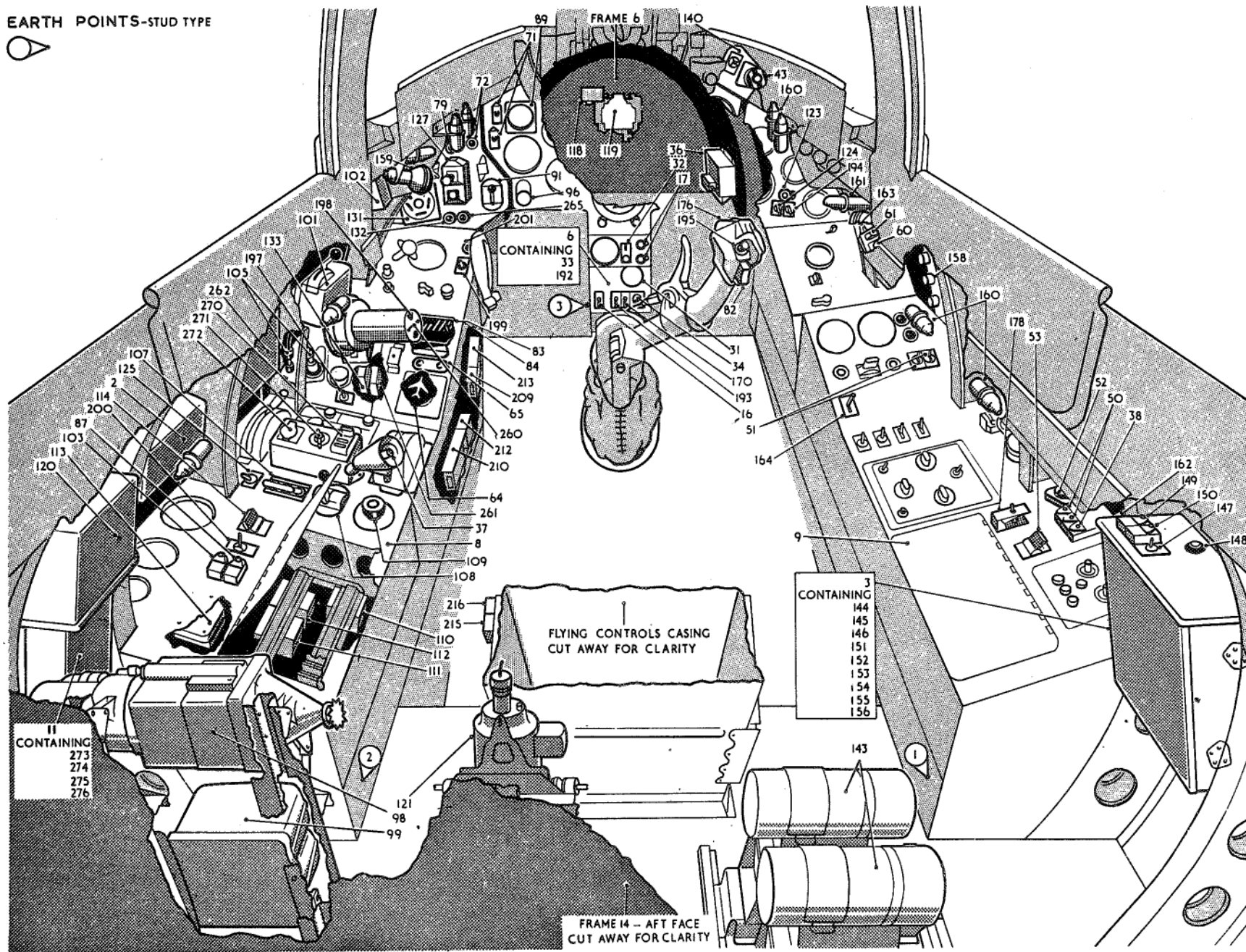


FIG. 2 LOCATION-COCKPIT

RESTRICTED

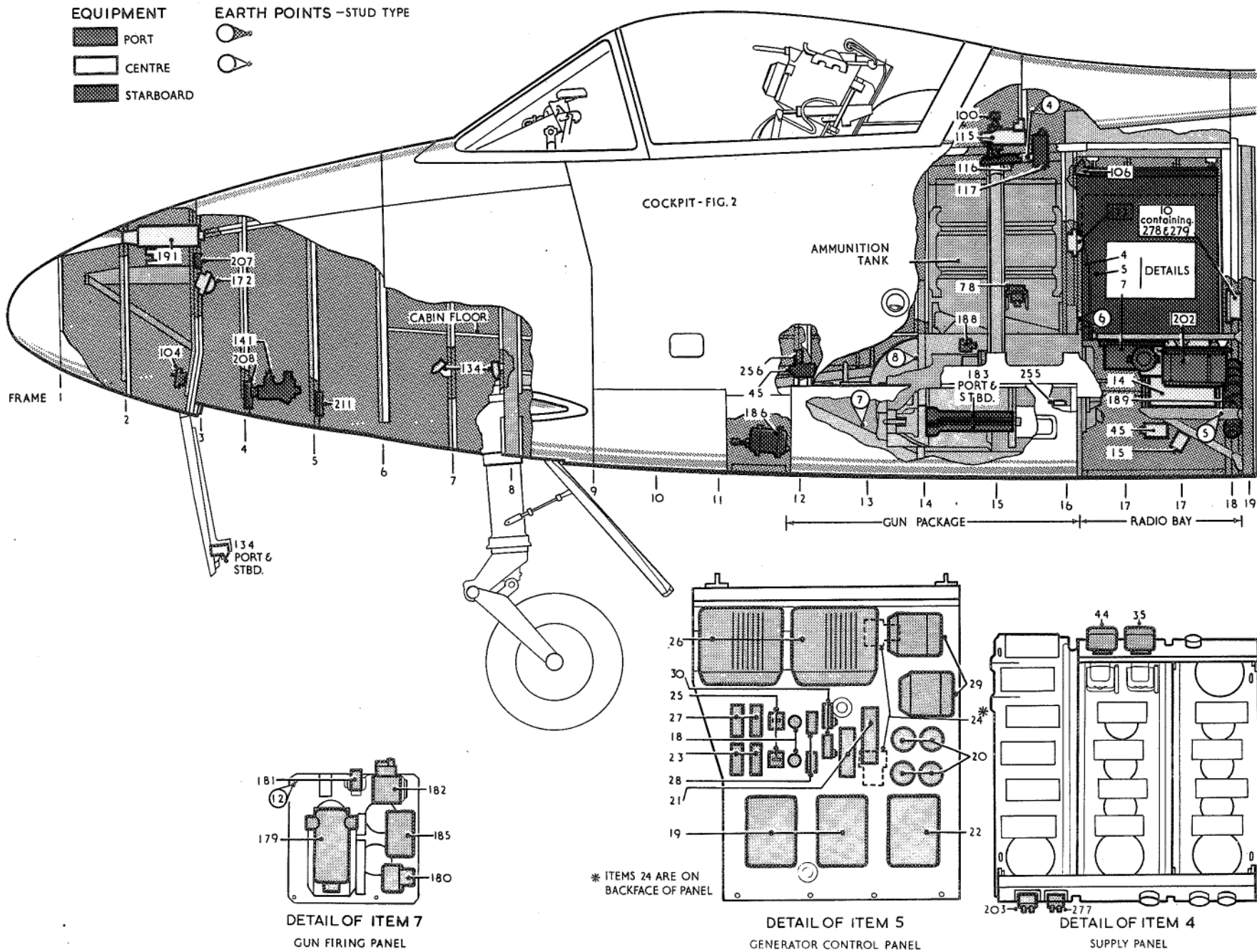


FIG. 3 LOCATION - FRONT FUSELAGE

RESTRICTED

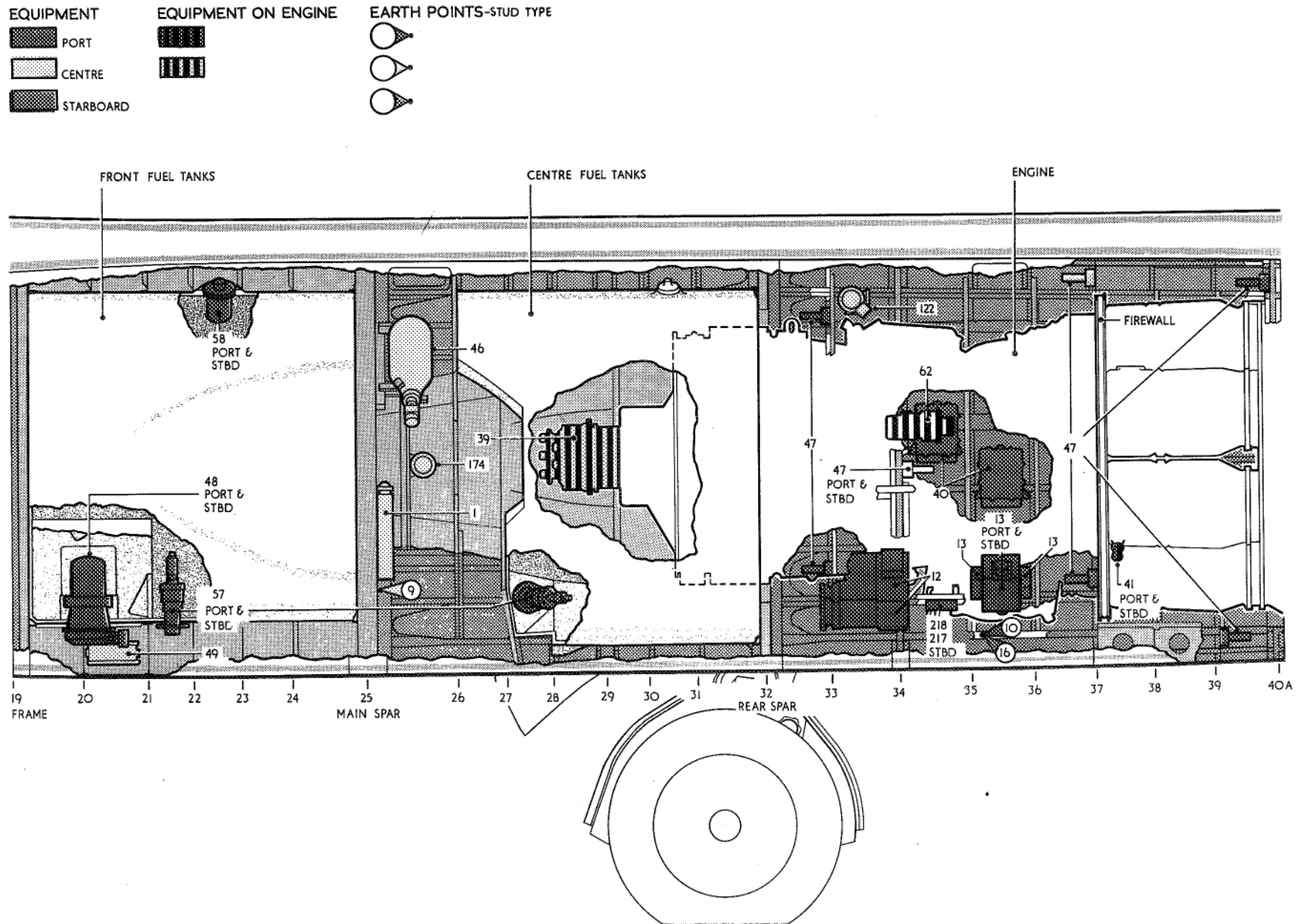
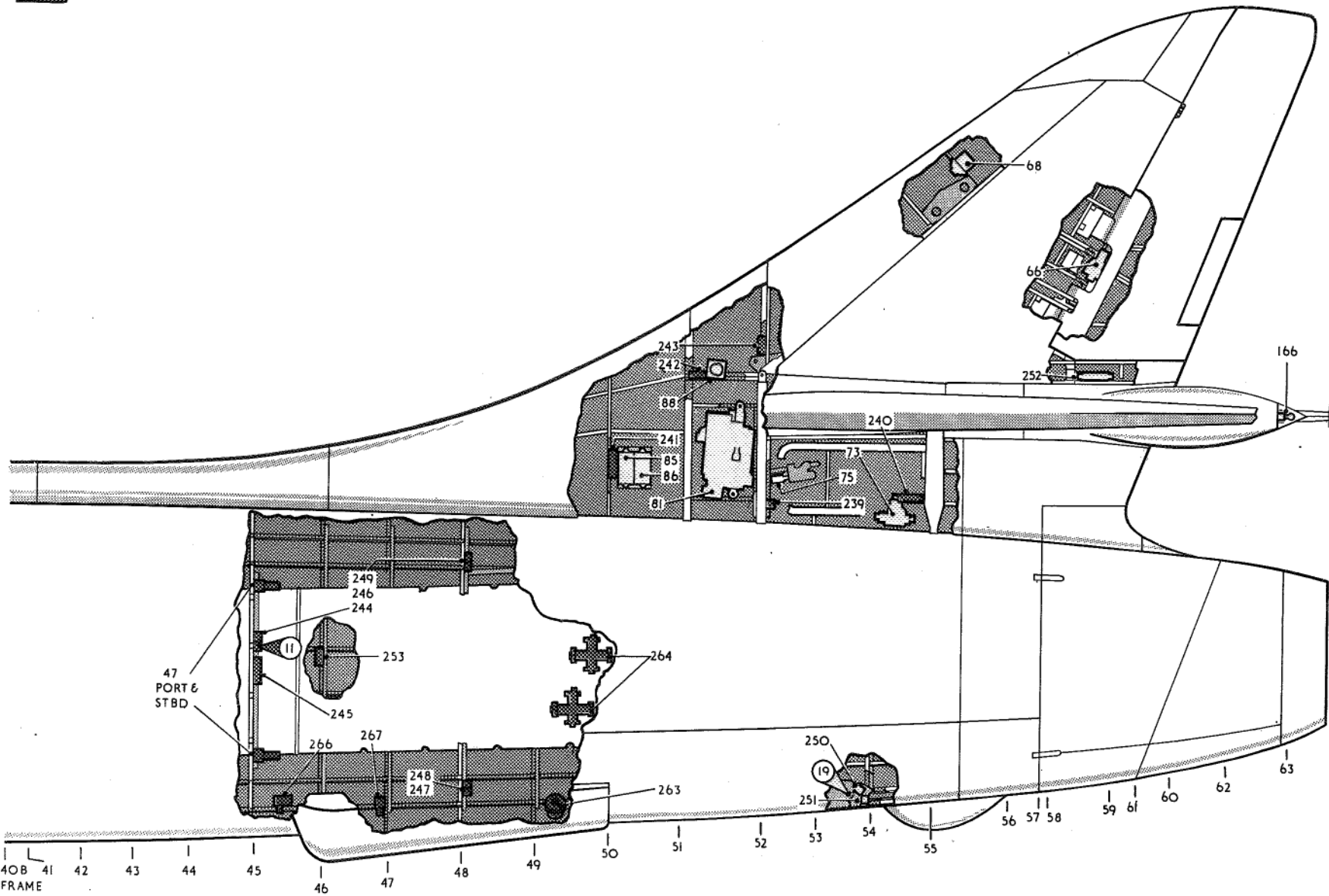
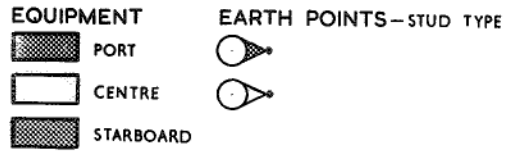
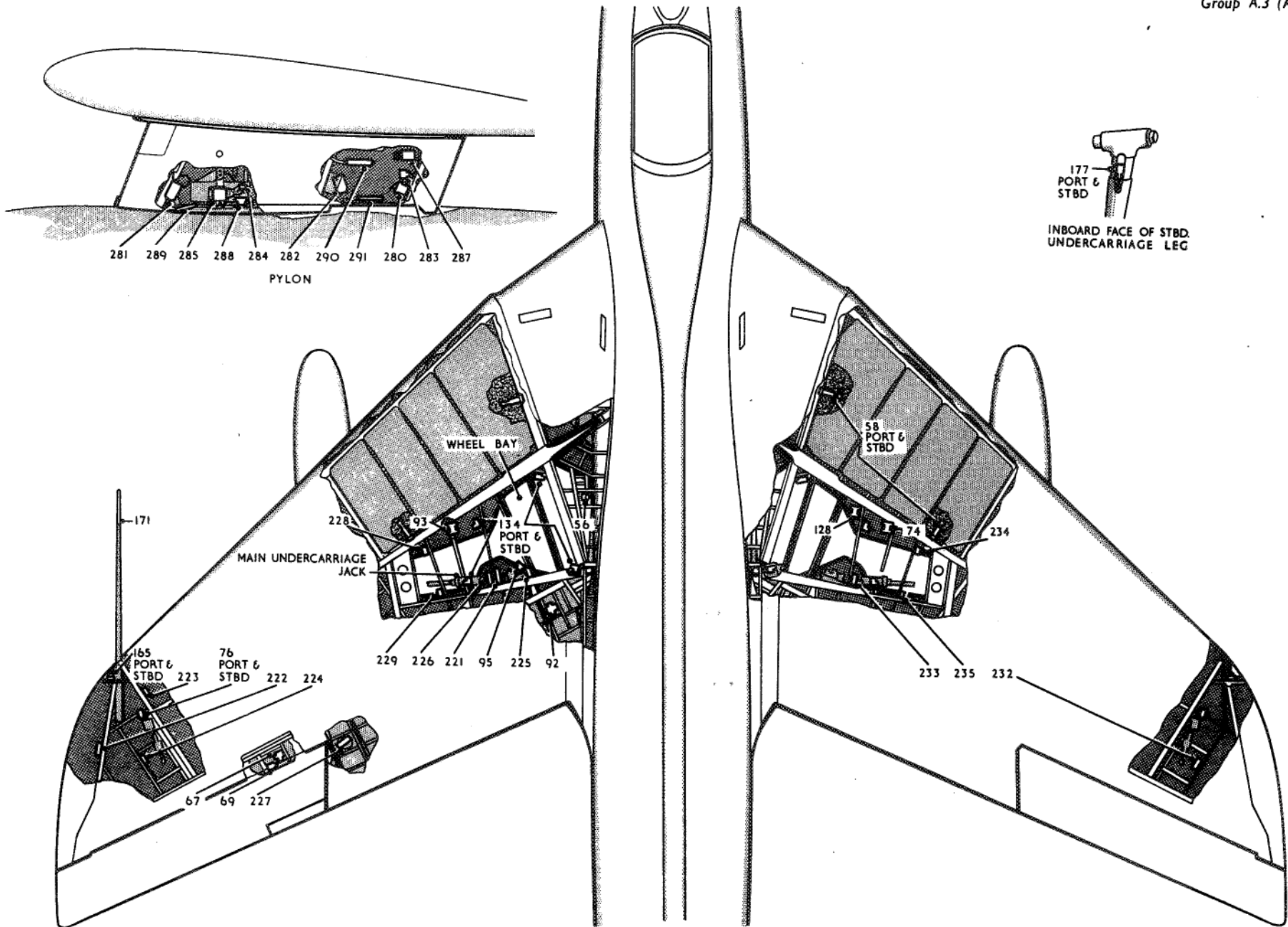


FIG. 4 LOCATION - CENTRE FUSELAGE

RESTRICTED



**FIG. 5. LOCATION-REAR FUSELAGE
RESTRICTED**



**FIG. 6 LOCATION - MAIN PLANES
RESTRICTED**

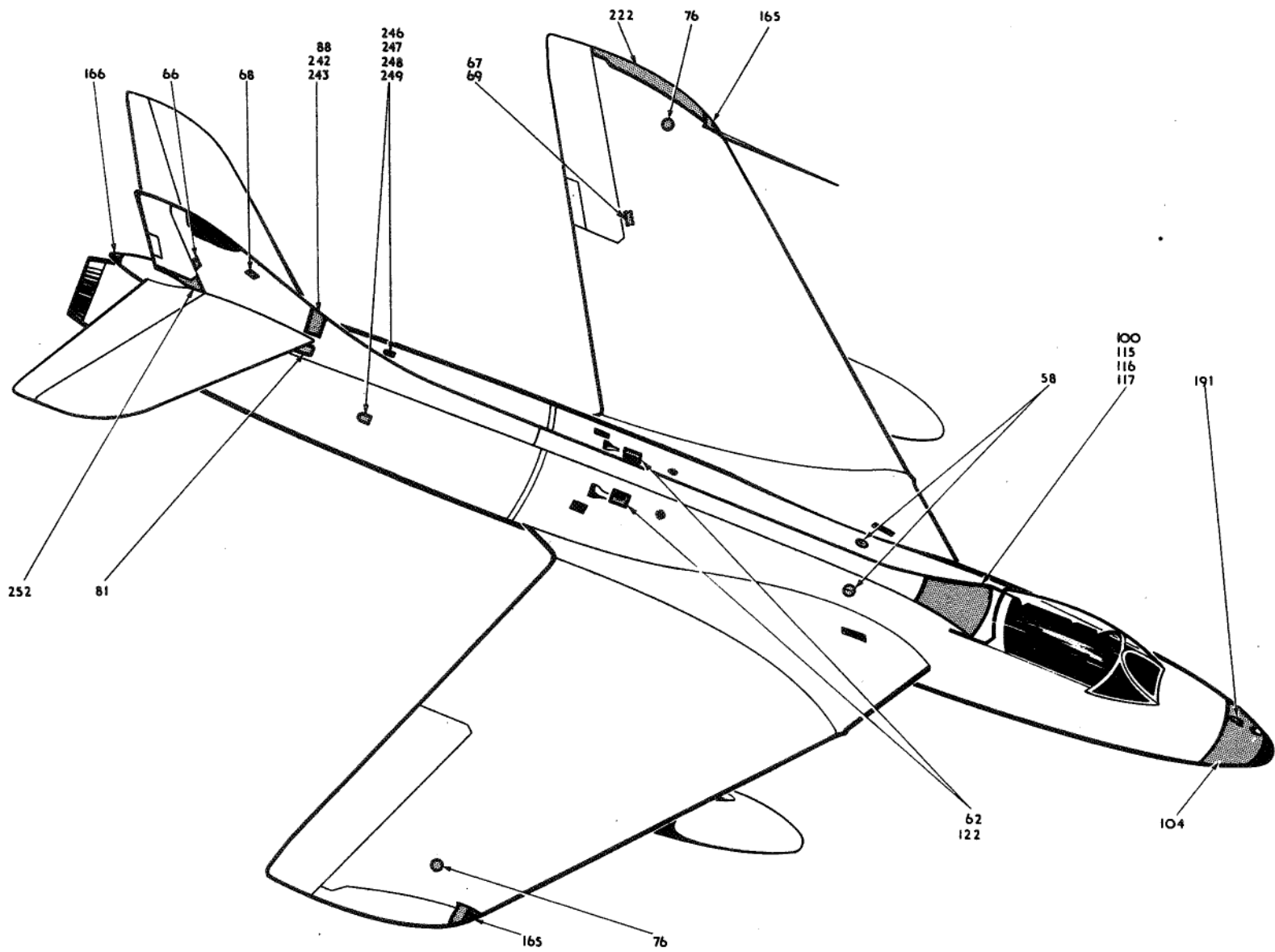


FIG. 7 ACCESS PANELS (TOP SURFACES)
RESTRICTED

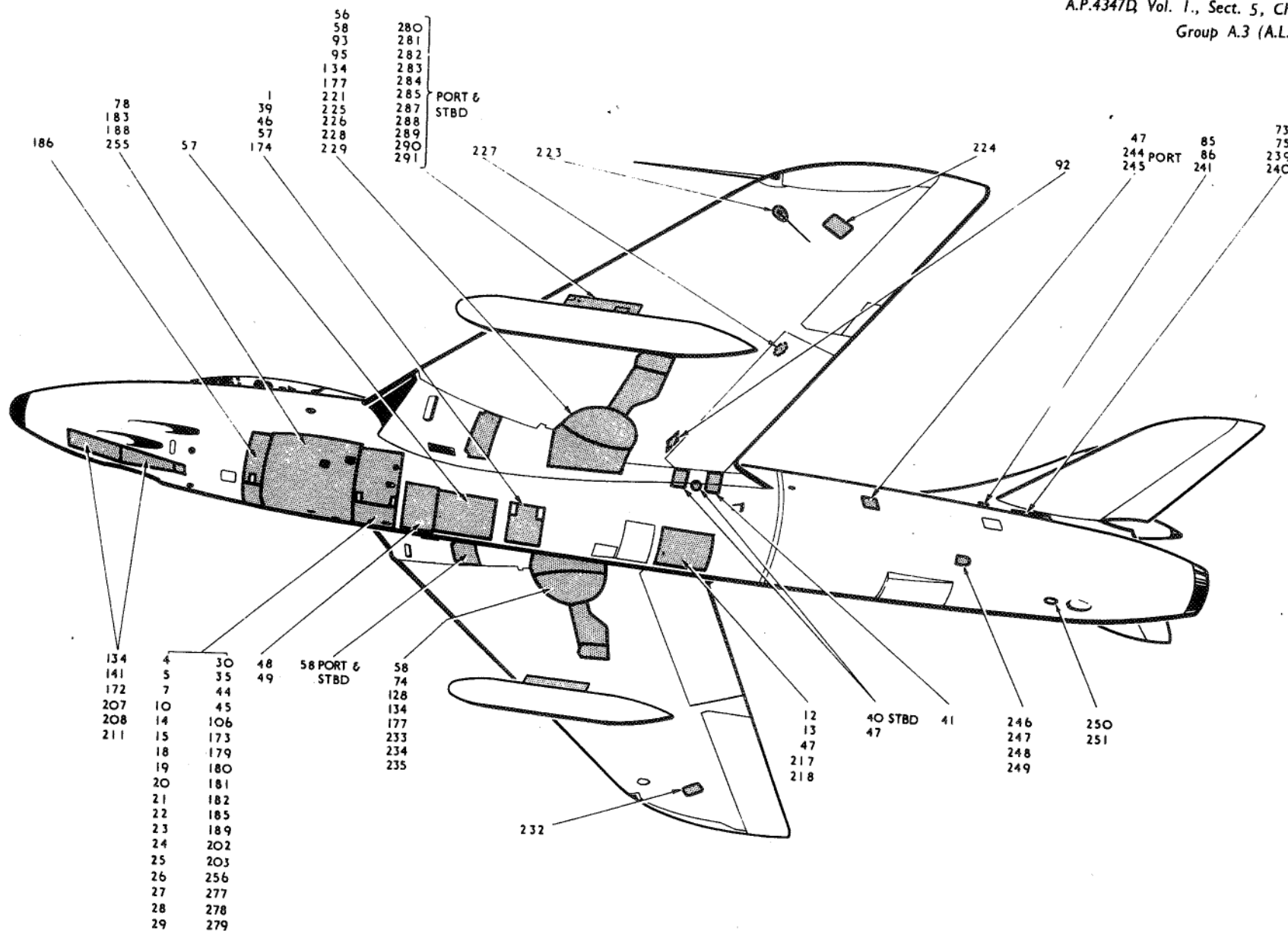


FIG. 8. ACCESS PANELS (BOTTOM SURFACES)

RESTRICTED

(A.L.24)

This file was downloaded
from the RTFM Library.

Link: www.scottbouch.com/rtfm

Please see site for usage terms,
and more aircraft documents.

