

FLYING CONTROLS—CENTRE FUSELAGE

Ref. No.	Part No.	Description	No. Off	Material Specification	M.R. Class of Store	Plate No.
	E.177242	<b>FLYING CONTROLS, CENTRE FUSELAGE, ASSEMBLY</b>	-	-		
1928	F.196235	<b>Bolt</b> , attachment of aileron control tube to lever, frame 33	1	S.94.B	C.	
282	A.169493	<b>Bracket</b> , for rudder and elevator idling links at frames 33 and 38	4	DTD.610	C.	DC.1
283	F.183798	<b>Bracket</b> , for rudder and elevator idling links at frames 27 and 28	2	DTD.610	C.	DC.1
	E.177245	<b>CONTROLS, AILERON, AFT OF REAR SPAR, ASSEMBLY</b>	-	-		
1701	Std.1639/2C	<b>Bolt</b> , attachment of cross shaft to frame 32 ...	3	S.95.B	C.	DC.1
281	Std.1639/3C	<b>Bolt</b> , attachment of cross shaft to frame 32 ...	2	S.95.B	C.	DC.1
284	Std.532/1	<b>Ferrule</b> ...	2	S.80	B.	4
284	B.177837	<b>Housing</b> , bearing, aileron torque shaft, group ...	1	-	B.	DC.1
285	Hoffmann T.21	<b>Bearing</b> ...	2	-	B.	
285	F.177841/2	<b>Tube</b> , distance ...	1	T.4	C.	DC.1
290	B.170213	<b>Lever</b> , aileron control ...	2	-	B.	DC.1
237	B.178823	<b>Lever</b> , aileron torque shaft, top ...	1	-	B.	DC.1
291	B.178903	<b>Lever</b> , aileron torque shaft, bottom ...	1	-	B.	DC.1
293	F.184638	<b>Ring</b> , packing for cross shaft at frames 32 and 33	2	DTD.610	C.	DC.1
294	A.166024	<b>Shaft</b> , aileron torque ...	1	S.95.B	C.	DC.1
295	F.166502	<b>Shaft</b> , cross, mounting of aileron, frames 32 and 33	2	T.50	C.	DC.1
296	F.177838	<b>Spool</b> , attachment of aileron control lever cross shaft to frame 32	2	DTD.364	C.	DC.1
298	F.177839	<b>Spool</b> , attachment of aileron control lever cross shaft to frame 32	2	DTD.364	C.	DC.1
303	A.169525	<b>Tube</b> , aileron control, group ...	2	-	B.	DC.1
168	A.169527	<b>Eye-end</b> ...	1	-	B.	DC.1
304	A.169523	<b>Tube</b> , aileron control ...	1	-	B.	DC.1
305	A.169524	<b>Tube</b> , aileron control ...	1	-	B.	DC.1
307	F.177841/3	<b>Tube</b> , distance ...	2	T.4	C.	DC.1
308	F.177841/4	<b>Tube</b> , distance ...	2	T.4	C.	DC.1
309	Std.1208/167/84/30	<b>Washer</b> , shim, aileron lever cross shaft and torque shaft	4	Shim Steel	C.	DC.1
310	Std.1547/30/12	<b>Washer</b> , at attachment of aileron torque shaft housing	4	DTD.610	C.	DC.1
286	A.168403	<b>Link</b> , idling, rudder and elevator between frames 33 and 34	3	-	B.	DC.1
287	A.168404	<b>Link</b> , idling, rudder and elevator between frames 27 and 28, 38 and 39	3	-	B.	DC.1
288	A.170441	<b>Link</b> , idling and bracket between frames 23 and 24, 27 and 28, group	4	-	B.	DC.1
	A.169495	<b>Bracket</b> ...	1	DTD.610	-	DC.1
287	A.168404	<b>Link</b> ...	1	-	B.	DC.1
289	A.170442	<b>Link</b> , idling and bracket between frames 27 and 28, group	1	-	B.	DC.1
	A.169495	<b>Bracket</b> ...	1	DTD.610	-	DC.1
	A.168405	<b>Link</b> ...	1	-	-	DC.1
292	F.165986	<b>Packing</b> , for rudder and elevator levers ...	8	DTD.610	C.	DC.1
299	A.180427	<b>Tube</b> , control between frames 18 and 24 ...	3	-	B.	DC.1
300	A.169520	<b>Tube</b> , control between frames 24 and 28 ...	3	-	B.	DC.1

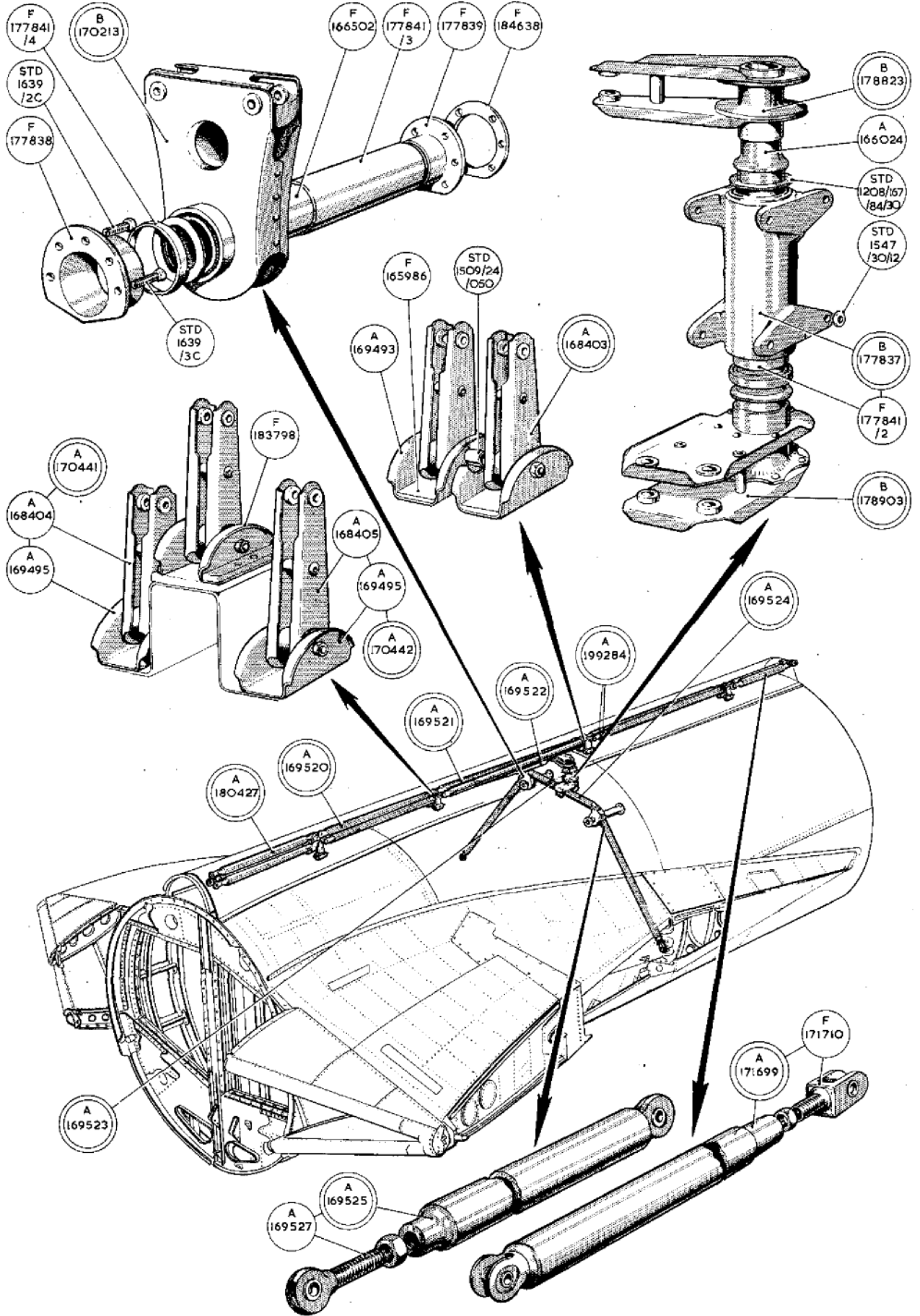
**RESTRICTED**Hunter F. Mk. 4  
Issued with Amendment List No. 14**FLYING CONTROLS—CENTRE FUSELAGE**

Ref. No.	Part No.	Description	No. Off					Material Specification	M.R. Class of Store	Plate No.
			1	2	3	4	5			
301	A.169521	Tube, elevator and rudder control between frames 27, 28, 33 and 34		2				—	B.	DC.1
4113	A.199284	Tube, elevator and rudder control between frames 33 and 34, 38 and 39		2				—	B.	DC.1
302	A.169522	Tube, aileron control between frames 28 and 33		1				—	B.	DC.1
306	A.171699	Tube, adjustable, elevator and rudder control between frames 38 and 41, group		2				—	B.	DC.1
2368	F.171710	Fork-end		1				—	MR/C	DC.1
3790	Std.1509/24/050 F.165985	Tube, distance $\frac{3}{8}$ " o/d x 17 s.w.g. x 0.50" long Washer, at assembly of bracket and link to fuselage structure		2				T.4	MR/C	DC.1
4150	Std.915/C22	Washer, at bolts securing brackets (Alternative to SP.15C)		QR				DTD.610	C.	4

**RESTRICTED**

FLYING CONTROLS—CENTRE FUSELAGE

Ref. No.	Part No.	Description					No. Off	Material Specification	M.R. Class of Store	Plate No.
		1	2	3	4	5				
<b>SUMMARY OF STOCK ITEMS</b>										
28D/12513	A.25-2C	Bolt, 2	B.A.	...	...	...	...	...	...	...
28D/12531	A.25-3C	Bolt, 2	B.A.	...	...	...	...	...	...	...
28D/12532	A.25-4C	Bolt, 2	B.A.	...	...	...	...	...	...	...
28D/12533	A.25-5C	Bolt, 2	B.A.	...	...	...	...	...	...	...
28D/12566	A.25-6C	Bolt, 2	B.A.	...	...	...	...	...	...	...
28D/13711	A30.9E	Bolt, 1/4"	B.S.F.	...	...	...	...	...	...	...
28D/12538	A.25-15C	Bolt, 2	B.A.	...	...	...	...	...	...	...
28D/14010	A30.10E	Bolt, 1/4"	B.S.F.	...	...	...	...	...	...	...
28D/13474	A.30-12E	Bolt, 1/4"	B.S.F.	...	...	...	...	...	...	...
28D/13442	A30.11E	Bolt, 1/4"	B.S.F.	...	...	...	...	...	...	...
28D/13114	A.30-13E	Bolt, 1/4"	B.S.F.	...	...	...	...	...	...	...
28D/15472	A30.27E	Bolt, 1/4"	B.S.F.	...	...	...	...	...	...	...
28D/15020	A30.15E	Bolt, 1/4"	B.S.F.	...	...	...	...	...	...	...
28D/13263	A30.10G	Bolt, 5/16"	B.S.F.	...	...	...	...	...	...	...
28M/12929	A.27.CP	Nut, 2	B.A.	...	...	...	...	...	...	...
28L/12931	A27.ET	Nut, 1/4"	B.S.F.	...	...	...	...	...	...	...
28M/7683	AGS.572A	Nut, 1/4"	B.S.F.	...	...	...	...	...	...	...
28M/13403	AGS.572AP	Nut, 6	B.A.	...	...	...	...	...	...	...
28M/8101	AGS.572C	Nut, 5/16"	B.S.F.	...	...	...	...	...	...	...
28L/12248	AGS.518/C	Tab, locking		...	...	...	...	...	...	...
28W/9419475	SP.15.C	Washer, 2	B.A.	...	...	...	...	...	...	...
28W/9419404	SP.16.C	Washer, 2	B.A.	...	...	...	...	...	...	...
28W/9419405	SP.15.E	Washer, 1/4"	dia.	...	...	...	...	...	...	...
28W/9419476	SP.15.G	Washer		...	...	...	...	...	...	...
28W/9419487	SP.16.E	Washer, 5/16"	dia.	...	...	...	...	...	...	...





This file was downloaded  
from the RTFM Library.

Link: [www.scottbouch.com/rtfm](http://www.scottbouch.com/rtfm)

Please see site for usage terms,  
and more aircraft documents.