

FLYING CONTROLS—FRONT FUSELAGE

| Ref. No. | Part No. | Description | | | | | No. Off | Material Specification | M.R. Class of Store | Plate No. |
|------------|-------------------------|---|---|---|---|---|---------|------------------------|---------------------|-----------|
| | | 1 | 2 | 3 | 4 | 5 | | | | |
| | | FLYING CONTROLS, FRONT FUSELAGE, ASSEMBLY | | | | | | | | |
| 248 | E.177241 B.177650/3* | Cable, rudder arm adjusting, group (alternative to B.234558, AS.830/94) | | | | | 1 | — | B. | DD.1 |
| 10145 | B.234558 | Cable, rudder arm adjusting, group (AS.830/94) ... | | | | | 1 | — | B. | DD.1 |
| | A.177657 | Body, union | | | | | 1 | — | | |
| | B.177650/2 | Cable, Bowdenex, 19/2 | | | | | 1 | — | | |
| | B.177650/1 | Conduit, Bowdenex, T.2H | | | | | 1 | — | | |
| | AS.2903 | Nipple | | | | | 1 | — | | |
| 28L/12931 | A.27.ET | Nut | | | | | 1 | — | C. | |
| | A.177653 | Pin | | | | | 1 | — | | |
| | Std.1522/2 | Sleeve | | | | | 2 | — | | |
| | F.177655 | Spring | | | | | 1 | Spr. Std. | | |
| | Std.1522/1 | Stop, adjusting | | | | | 1 | — | | |
| | G.221514 | FLYING CONTROLS UNDER PILOT'S FLOOR ASSEMBLY | | | | | | | | |
| 6757 | F.213777 | Block, at attachment of torque tube to control column (Mod. 433) | | | | | 1 | S.96B | C. | DD.2 |
| 5803 | F.205015 | Bolt, attachment of torque tube to control column, group (Mod. 297) | | | | | 1 | — | C. | DD.2 |
| | F.166254 | Bolt | | | | | 1 | S.95B | | DD.2 |
| | A.53057/2 | Plug | | | | | 1 | S.2 | | DD.2 |
| 205 | Std.1553/E/120 | Bolt, for control column crank | | | | | 2 | S.99 | C. | DD.2 |
| 26AQ/223 | Std.1553/E/130 | Bolt, for control column crank | | | | | 3 | S.99 | C. | |
| 206 | Std.1553/E/150 | Bolt, for control column crank | | | | | 4 | S.99 | C. | DD.2 |
| 1926 | F.196256 | Bolt, special, attachment of elevator lever | | | | | 1 | S.99B | C. | DD.1 |
| 2137 | A.53067 | Bush, at attachment of torque tube to control column | | | | | 2 | S.2 | C. | DD.2 |
| | D.206791 | Control column, group (Mod. 188) | | | | | 1 | — | | |
| 207 | F.180779 | Adjuster | | | | | 2 | S.95B | C. | DD.2 |
| 2A/9501177 | BRE.½ | Bearing, at universal fork | | | | | 2 | — | B. | |
| 2A/9501178 | BRE.¾ | Bearing, at control column head | | | | | 2 | — | B. | |
| 26AQ/223 | Std.1553/E/130 | Bolt | | | | | 4 | S.99 | C. | |
| 208 | F.177528 | Bolt, attachment of control column tube to socket | | | | | 1 | S.95B | C. | DD.2 |
| 209 | F.177527 | Bolt, attachment of control column tube to socket | | | | | 1 | S.95B | C. | DD.2 |
| 220 | F.166596 | Bolt, chain guard attachment | | | | | 2 | S.95B | C. | DD.2 |
| 8089 | F.204430 | Block, profile | | | | | 1 | L.65C | C. | DD.2 |
| 1494 | F.191314 | Block, stop | | | | | 1 | DTD.364 | C. | DD.2 |
| 5898 | B.209356 | Cable, F.26, group (Mod. 305) | | | | | 1 | — | B. | |
| 6099 | A.209036 | Guard | | | | | 1 | — | C. | |
| 6100 | A.209037 | Guard | | | | | 1 | — | C. | |
| 7833 | A.213425 | Chain, top aileron control, complete with eye ends (Mod. 188) | | | | | 1 | — | C. | DD.2 |
| 211 | A.182743 | Chain, bottom aileron control, complete with eye ends | | | | | 1 | — | C. | DD.2 |
| | A.178531 | Crank, control column | | | | | 2 | Stamping | | |
| 8662 | F.221603 | Clip, on chain guard for brake cable | | | | | 1 | — | C. | DD.2 |
| 9091 | B.221990 | Feel unit, group (Mod. 601) | | | | | 1 | — | B. | DD.2 |
| 8095 | F.204424 | Nut, adjusting | | | | | 1 | S.1 | C. | DD.2 |
| 8091 | A.212862 | Spindle | | | | | 1 | S.95B | C. | DD.2 |
| 8092 | F.204420 | Spring | | | | | 1 | DTD.215 | C. | DD.2 |

FLYING CONTROLS—FRONT FUSELAGE

| Ref. No. | Part No. | Description | | | | | No. Off | Material Specification | M.R. Class of Score | Plate No. |
|-----------|-------------------|-------------|---|---|---|---|---------|------------------------|---------------------|-----------|
| | | 1 | 2 | 3 | 4 | 5 | | | | |
| 8093 | F.208510 | | | | | | 1 | S.95B | C. | DD.2 |
| 8094 | F.204426 | | | | | | 1 | | C. | DD.2 |
| 8096 | Std.1356/9 | | | | | | 1 | L.A. | C. | 4 |
| 8097 | Std.1208/90/40/48 | | | | | | QR | Shim Steel | C. | 4 |
| 212 | F.180736 | | | | | | 2 | S.95B | C. | DD.2 |
| 9090 | A.219902 | | | | | | 1 | — | C. | DD.2 |
| 9876 | A.231571 | | | | | | 1 | — | C. | DD.2 |
| 2138 | A.61599 | | | | | | 2 | — | C. | DD.2 |
| 7831 | D.206792/3 | | | | | | 1 | — | B. | DD.2 |
| | D.206792/1 | | | | | | 1 | DTD.610 | | DD.2 |
| | C.206794 | | | | | | 1 | L.59 | | DD.2 |
| 28M/10215 | AGS.2008/B.1 | | | | | | 2 | — | C. | |
| | F.191313 | | | | | | 1 | DTD.610 | | |
| 28Q/7656 | AS.164/405 | | | | | | 2 | — | C. | |
| 28Q/7943 | AS.164/304 | | | | | | 2 | — | C. | |
| 28Q/8882 | AS.163/404 | | | | | | 10 | — | C. | |
| 7832 | D.206792/4 | | | | | | 1 | — | B. | DD.2 |
| | F.191312 | | | | | | 1 | LFS.21 | | |
| | F.177444 | | | | | | 1 | LFS.21 | | |
| | F.191311 | | | | | | 1 | LFS.21 | | |
| | F.177443 | | | | | | 2 | LFS.21 | | |
| | F.177441 | | | | | | 1 | LFS.21 | | |
| | F.177445 | | | | | | 1 | LFS.21 | | |
| 9126 | F.204692 | | | | | | 1 | Fibre | C. | DD.2 |
| 28D/8311 | AS.1242.7C | | | | | | 2 | — | C. | |
| | A.177395 | | | | | | 1 | S.3 | | |
| | D.206792/2 | | | | | | 1 | DTD.610 | | |
| | C.206793 | | | | | | 1 | L.59 | | DD.2 |
| 28M/10216 | AGS.2008/C1 | | | | | | 1 | — | C. | |
| | F.177518 | | | | | | 1 | DTD.610 | | |
| 28Q/8394 | AS.163/304 | | | | | | 2 | — | C. | |
| 28Q/8882 | AS.163/404 | | | | | | 10 | — | C. | |
| 28Q/8148 | AS.164/407 | | | | | | 2 | — | C. | |
| 28Q/10098 | AS.164/409 | | | | | | 2 | — | C. | |
| 28Q/8147 | AS.164/406 | | | | | | 4 | — | C. | |
| 28Q/9038 | AS.164/414 | | | | | | 2 | — | C. | |
| 28Q/10012 | AS.164/415 | | | | | | 2 | — | C. | |
| 28Q/7943 | AS.164/304 | | | | | | 2 | — | C. | |
| 27J/386 | Dunlop | | | | | | | | | |
| | AC.12590 | | | | | | 1 | — | A. | |
| 27J/461 | Dunlop | | | | | | | | | |
| | AC.14728 | | | | | | 1 | — | A. | |
| 6974 | F.180734 | | | | | | 1 | DTD.610 | C. | |
| 7834 | F.212863 | | | | | | 1 | S.95B | C. | DD.2 |
| | F.168225 | | | | | | 2 | S.97B | | |
| | B.178321 | | | | | | 1 | Stamping | | |
| 9508 | B.178579 | | | | | | 1 | S.95B | C. | |
| 9812 | F.231559 | | | | | | 1 | S.95B | C. | DD.2 |
| 217 | F.177524 | | | | | | 1 | — | C. | DD.2 |
| 9507 | B.178440 | | | | | | 1 | S.95B | C. | DD.1 |
| | F.178409 | | | | | | 1 | S.95B | | |
| 1891 | F.195967 | | | | | | 1 | — | C. | DD.2 |

FLYING CONTROLS—FRONT FUSELAGE

| Ref. No. | Part No. | Description | | | | | No. Off | Material Specification | M.R. Class of Store | Plate No. |
|------------|-------------------|--------------------|---|---|---|---|---------|------------------------|---------------------|-----------|
| | | 1 | 2 | 3 | 4 | 5 | | | | |
| | A.208523 | | | | | | 1 | T.50 | | |
| | A.73025 | | | | | | 1 | — | | |
| | Std.1510/13/139 | | | | | | 1 | T.4 | | |
| 4654 | Std.1208/90/25/64 | | | | | | 1 | Shim Steel | C. | 4 |
| 221 | Std.1208/75/33/50 | | | | | | 1 | Shim Steel | C. | DD.2 |
| | 222 | Std.1208/75/33/100 | | | | | 1 | Shim Steel | C. | DD.2 |
| 26AQ/4821 | Std.532/1 | | | | | | 6 | S.80 | C. | 4 |
| | A.185082 | | | | | | 1 | — | | |
| 223 | George Angus | | | | | | 1 | — | C. | DD.2 |
| | G.300225½ | | | | | | | | | |
| | A.180432 | | | | | | 1 | — | | |
| 224 | George Angus | | | | | | 1 | — | C. | DD.2 |
| | G.189125½ | | | | | | | | | |
| | 226 | B.165970 | | | | | 1 | — | B. | DD.2 |
| | 235 | B.168400 | | | | | 1 | — | B. | DD.2 |
| 236½ | B.178822 | | | | | | 1 | — | B. | DD.2 |
| 237 | B.178823 | | | | | | 1 | — | B. | DD.2 |
| 238 | B.178824 | | | | | | 1 | — | B. | DD.2 |
| 2139 | A.53255 | | | | | | 1 | S.2 | C. | |
| 1699 | F.192050 | | | | | | 1 | S.1 | C. | DD.1 |
| 239 | F.179016 | | | | | | 2 | T.4 | C. | DD.1 |
| 5804 | A.53057/1 | | | | | | 1 | S.94B | C. | DD.2 |
| 240 | F.182714 | | | | | | 1 | S.3 | C. | DD.1 |
| | D.177247 | | | | | | 1 | — | | |
| 241 | B.166465 | | | | | | 2 | — | C. | DD.1 |
| 242 | F.179017 | | | | | | 2 | S.95B | C. | DD.1 |
| 2A/9500419 | BRT.1½ | | | | | | 2 | — | B. | |
| | AS.2209 | | | | | | 2 | — | | |
| 243 | Std.325/154 | | | | | | 2 | S.99B | C. | DD.1 |
| 4271 | F.199879 | | | | | | 1 | S.96 | C. | |
| 244 | Std.1551/2/65 | | | | | | 2 | S.99B | C. | DD.1 |
| 4270 | F.199878 | | | | | | 1 | — | C. | DD.1 |
| 245 | F.148388 | | | | | | 1 | B.8 | C. | DD.1 |
| 246 | F.148389 | | | | | | 2 | B.8 | C. | DD.1 |
| 247 | F.148387 | | | | | | 2 | DTD.176A | C. | DD.1 |
| 270 | A.165668 | | | | | | 1 | — | C. | DD.1 |
| 249 | A.165664 | | | | | | 1 | — | C. | DD.1 |
| 250 | A.165665 | | | | | | 1 | — | C. | DD.1 |
| 251 | F.178554 | | | | | | 2 | S.95B | C. | DD.1 |
| 4554 | F.202251 | | | | | | 1 | Brass | C. | |
| 252 | C.177765 | | | | | | 1 | Casting | C. | DD.1 |
| 253 | B.177767 | | | | | | 1 | Casting | C. | DD.1 |

FLYING CONTROLS—FRONT FUSELAGE

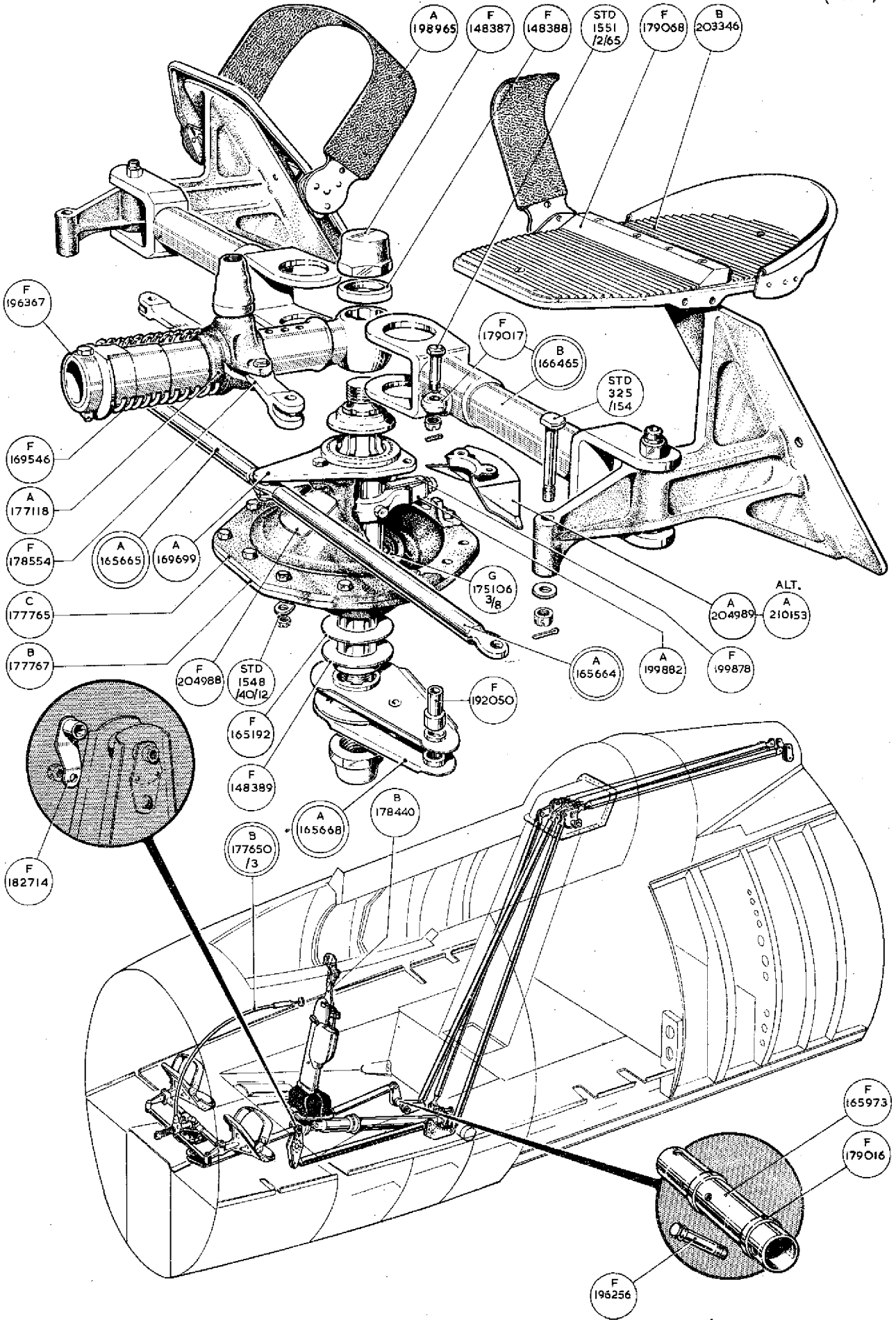
| Ref. No. | Part No. | Description | | | | | No. Off | Material Specification | M.R. Class of Score | Plate No. |
|------------|---------------------------|-------------|---|---|---|---|---------|------------------------|---------------------|---------------------------|
| | | 1 | 2 | 3 | 4 | 5 | | | | |
| | C.203345 | | | | | | 2 | — | — | |
| 254 | F.179068 | | | | | | 1 | LFS.21 | C. | DD.1 |
| 4767 | B.203346 | | | | | | 1 | — | C. | DD.1 |
| 4102 | A.198965 | | | | | | 1 | — | C. | DD.1 |
| 257 | A.169699 | | | | | | 1 | — | C. | DD.1 |
| 258 | George Angus G.175106½ | | | | | | 1 | — | C. | DD.1 |
| 5797 | F.204988 | | | | | | 1 | S.84 | C. | DD.1 |
| 5798 | A.204989 | | | | | | 1 | S.84 | C. | DD.1 |
| | | | | | | | | | | (Alternative to A.210153) |
| 6749 | A.210153 | | | | | | 1 | — | C. | DD.1 |
| 259 | F.165192 | | | | | | 1 | DTD.364 | C. | DD.1 |
| 1927 | F.196367 | | | | | | 1 | DTD.364 | C. | DD.1 |
| 260 | A.177118 | | | | | | 1 | Stamping | C. | DD.1 |
| 261 | F.169546 | | | | | | 1 | Sp. Stl. | C. | DD.1 |
| 4273 | A.199882 | | | | | | 1 | Stamping | C. | DD.1 |
| | AS.2210 | | | | | | 2 | — | | |
| 4150 | Std.914/C22 | | | | | | 3 | S.1 | C. | 4 |
| 264 | F.178750 | | | | | | 1 | S.95B | C. | DD.2 |
| 265 | F.165973 | | | | | | 1 | T.60 | C. | DD.1 |
| 266 | A.178749 | | | | | | 1 | T.60 | C. | DD.2 |
| 267 | Std.1208/150/ 68/50 | | | | | | 1 | Shim Steel | C. | DD.2 |
| | Std.1208/130/ 68/50 | | | | | | 2 | Shim Steel | | |
| 8493 | B.215089 | | | | | | 1 | — | B. | DD.2 |
| | A.215091 | | | | | | 1 | S.95B | | DD.2 |
| 2A/9500154 | BAL.025 | | | | | | 1 | — | B. | |
| | Std.165/5 | | | | | | 4 | — | | |
| | F.165984 | | | | | | 1 | DTD.610 | | DD.2 |
| | F.218110 | | | | | | 1 | DTD.610 | | DD.2 |
| 269 | B.165987 | | | | | | 1 | L.53 | C. | DD.2 |
| | A.215088 | | | | | | 1 | S.95B | | |
| 277 | B.165989 | | | | | | 1 | — | B. | DD.2 |
| 278 | B.165990 | | | | | | 1 | — | B. | DD.2 |
| 279 | B.165991 | | | | | | 1 | — | B. | DD.2 |
| 1497 | F.185083 | | | | | | 1 | DTD.560 | C. | DD.2 |
| 2141 | Std.915/J.14 | | | | | | 1 | DTD.610 | C. | 4 |
| 280 | Std.1548/40/12 | | | | | | 3 | DTD.610 | C. | DD.1 |
| 6822 | B.190129 | | | | | | 1 | — | MR/B | |
| 4444 | F.201985 | | | | | | 1 | L.72 | C. | DD.2 |
| 4105 | Std.1285/8CC | | | | | | 1 | — | C. | 4 |
| 1495 | B.190128 | | | | | | 1 | — | C. | DD.2 |
| 4106 | F.199283 | | | | | | 1 | L.72 | C. | DD.2 |
| 5799 | A.205006 | | | | | | 1 | L.72 | C. | DD.2 |
| | B.178827 | | | | | | 1 | — | | |
| 227 | B.168401 | | | | | | 1 | — | B. | DD.2 |
| 228 | B.168402 | | | | | | 2 | — | B. | DD.2 |
| 229 | F.166114 | | | | | | 1 | T.50 | C. | DD.2 |
| 230 | F.178826 | | | | | | 2 | DTD.364 | C. | DD.2 |
| 231 | F.178430/3 | | | | | | 1 | T.4 | C. | DD.2 |
| 232 | F.178430/4 | | | | | | 1 | T.4 | C. | DD.2 |
| 233 | F.178430/5 | | | | | | 1 | T.4 | C. | DD.2 |
| 234 | Std.1208/141/ 68/40 | | | | | | 6 | Shim Steel | C. | DD.2 |

FLYING CONTROLS—FRONT FUSELAGE

| Ref. No. | Part No. | Description | | | | | No. Off | Material Specification | M.R. Class of Store | Plate No. |
|----------|----------|--|---|---|---|---|---------|------------------------|---------------------|-----------|
| | | 1 | 2 | 3 | 4 | 5 | | | | |
| 287 | A.168404 | Link, idling | | | | | 3 | — | B. | DD.2 |
| 6201 | A.209620 | Tube, aileron, elevator and rudder control between frames 14 and 17A, group (Mod. 368) | | | | | 3 | — | B. | DD.2 |
| 6202 | A.209621 | Fork-end | | | | | 1 | S.96B | C. | |
| 8488 | A.206734 | Tube, aileron control between frames 11 and 13 (Mod. 457) | | | | | 1 | — | B. | DD.2 |
| 276 | A.166631 | Tube, elevator and rudder control between frames 11 and 13 | | | | | 2 | — | B. | DD.2 |

FLYING CONTROLS—FRONT FUSELAGE

| Ref. No. | Part No. | Description | | | | | No. Off | Material Specification | M.R. Class of Score | Plate No. |
|-------------------------------|--------------|---------------------|------|--------|-----|-----|---------|------------------------|---------------------|-----------|
| | | 1 | 2 | 3 | 4 | 5 | | | | |
| SUMMARY OF STOCK ITEMS | | | | | | | | | | |
| 28D/12513 | A.25-2C | Bolt, | 2 | B.A. | ... | ... | ... | ... | ... | ... |
| 28D/12531 | A.25-3C | Bolt, | 2 | B.A. | ... | ... | ... | ... | ... | ... |
| 28D/12536 | A.25-13C | Bolt, | 2 | B.A. | ... | ... | ... | ... | ... | ... |
| 28D/12532 | A.25-4C | Bolt, | 2 | B.A. | ... | ... | ... | ... | ... | ... |
| 28D/12542 | A.25-5E | Bolt, | 1/4" | B.S.F. | ... | ... | ... | ... | ... | ... |
| 28D/12543 | A.25-6E | Bolt, | 1/4" | B.S.F. | ... | ... | ... | ... | ... | ... |
| 28D/12547 | A.25-15E | Bolt, | 1/4" | B.S.F. | ... | ... | ... | ... | ... | ... |
| 28D/13100 | A.30-5E | Bolt, | 1/4" | B.S.F. | ... | ... | ... | ... | ... | ... |
| 28D/13361 | A.30-8E | Bolt, | 1/4" | B.S.F. | ... | ... | ... | ... | ... | ... |
| 28D/13711 | A.30-9E | Bolt, | 1/4" | B.S.F. | ... | ... | ... | ... | ... | ... |
| 28D/14010 | A.30-10E | Bolt, | 1/4" | B.S.F. | ... | ... | ... | ... | ... | ... |
| 28D/13442 | A.30-11E | Bolt, | 1/4" | B.S.F. | ... | ... | ... | ... | ... | ... |
| 28D/13474 | A.30-12E | Bolt, | 1/4" | B.S.F. | ... | ... | ... | ... | ... | ... |
| 28D/13979 | A.30-14E | Bolt, | 1/4" | B.S.F. | ... | ... | ... | ... | ... | ... |
| 28D/15020 | A.30-15E | Bolt, | 1/4" | B.S.F. | ... | ... | ... | ... | ... | ... |
| 28D/15472 | A.30-27E | Bolt, | 1/4" | B.S.F. | ... | ... | ... | ... | ... | ... |
| 28D/15417 | A.30-17E | Bolt, | 1/4" | B.S.F. | ... | ... | ... | ... | ... | ... |
| 28D/14012 | A.30-17G | Bolt, | 3/8" | B.S.F. | ... | ... | ... | ... | ... | ... |
| 28D/14027 | A.30-24J | Bolt, | 3/8" | B.S.F. | ... | ... | ... | ... | ... | ... |
| 28D/8309 | AS.1242/4C | Bolt, | 2 | B.A. | ... | ... | ... | ... | ... | ... |
| 28D/8312 | AS.1242/8C | Bolt, | 2 | B.A. | ... | ... | ... | ... | ... | ... |
| 28D/8341 | AS.1248/1C | Bolt, | 2 | B.A. | ... | ... | ... | ... | ... | ... |
| 28D/8342 | AS.1248/2C | Bolt, | 2 | B.A. | ... | ... | ... | ... | ... | ... |
| 28D/9354 | AS.1248/6C | Bolt, | 2 | B.A. | ... | ... | ... | ... | ... | ... |
| 28N/12455 | AGS.2031/22 | Cirdip | ... | ... | ... | ... | ... | ... | ... | ... |
| 28F/10108 | AGS.1148C | Nut, lock | ... | ... | ... | ... | ... | ... | ... | ... |
| 28M/767 | A.16.Y.CS | Nut, | 2 | B.A. | ... | ... | ... | ... | ... | ... |
| 28M/9419526 | A.16.Y.CP | Nut, | 2 | B.A. | ... | ... | ... | ... | ... | ... |
| 28M/768 | A.16.Y.ES | Nut, | 1/4" | B.S.F. | ... | ... | ... | ... | ... | ... |
| 28M/772 | A.16.Y.JS | Nut, | 3/8" | B.S.F. | ... | ... | ... | ... | ... | ... |
| 28M/12929 | A.27.CP | Nut, | 2 | B.A. | ... | ... | ... | ... | ... | ... |
| 28M/13121 | A.27.CS | Nut, | 2 | B.A. | ... | ... | ... | ... | ... | ... |
| 28M/12928 | A.27.EP | Nut, | 1/4" | B.S.F. | ... | ... | ... | ... | ... | ... |
| 28M/12930 | A.27.ES | Nut, | 1/4" | B.S.F. | ... | ... | ... | ... | ... | ... |
| 28L/12931 | A.27.ET | Nut, | 1/4" | B.S.F. | ... | ... | ... | ... | ... | ... |
| 28L/13028 | A.27.GT | Nut, | 3/8" | B.S.F. | ... | ... | ... | ... | ... | ... |
| 28L/13464 | A.27.GTL | Nut, | 3/8" | B.S.F. | ... | ... | ... | ... | ... | ... |
| 28M/13123 | A.27.JS | Nut, | 3/8" | B.S.F. | ... | ... | ... | ... | ... | ... |
| 28M/13935 | A.58.ES | Nut, | 1/4" | B.S.F. | ... | ... | ... | ... | ... | ... |
| 28M/7683 | AGS.572/A | Nut, | 1/4" | B.S.F. | ... | ... | ... | ... | ... | ... |
| 28F/10108 | AGS.1148C | Nut, | 2 | B.A. | ... | ... | ... | ... | ... | ... |
| 28M/10288 | AGS.2001/C/1 | Nut, | 2 | B.A. | ... | ... | ... | ... | ... | ... |
| 28M/10290 | AGS.2001.E1 | Nut, | 1/4" | B.S.F. | ... | ... | ... | ... | ... | ... |
| 28M/10328 | AGS.2002/C1 | Nut, | 2 | B.A. | ... | ... | ... | ... | ... | ... |
| 28M/10330 | AGS.2002/E1 | Nut, | 1/4" | B.S.F. | ... | ... | ... | ... | ... | ... |
| 28M/7727 | AGS.572.E | Nut, | 1/4" | B.S.F. | ... | ... | ... | ... | ... | ... |
| 28N/9796 | SP.21 | Nipple, lubricating | ... | ... | ... | ... | ... | ... | ... | ... |
| 28W/9419475 | SP.15C | Washer, | 2 | B.A. | ... | ... | ... | ... | ... | ... |
| 28W/9419404 | SP.16C | Washer, | 2 | B.A. | ... | ... | ... | ... | ... | ... |
| 28W/9419405 | SP.15E | Washer, | 1/4" | B.S.F. | ... | ... | ... | ... | ... | ... |
| 28W/9419487 | SP.16E | Washer, | 1/4" | B.S.F. | ... | ... | ... | ... | ... | ... |
| 28W/9419477 | SP.15.J | Washer, | 3/8" | dia. | ... | ... | ... | ... | ... | ... |
| 28W/9419476 | SP.15G | Washer, | 3/8" | dia. | ... | ... | ... | ... | ... | ... |



FLYING CONTROLS



This file was downloaded
from the RTFM Library.

Link: www.scottbouch.com/rtfm

Please see site for usage terms,
and more aircraft documents.