

FLYING CONTROLS—OUTER WING

Ref. No.	Part No.	Description	No. Off	Material Specification	M.R. Class of Store	Place No.
	D.181483-4	<b>FLYING CONTROLS, OUTER WING, ASSEMBLY</b>	-	-		
8358	A.215630	<b>Bolt</b> , flap, inboard hinge (Mod. 481) ... ..	2	S.95.B	C.	DG.2
8356	A.215628	<b>Bolt</b> , flap, inner and outer hinges (Mod. 481) ... ..	4	S.95.B	C.	DG.2
8357	A.215629	<b>Bolt</b> , flap hinge at flap jack (Mod. 481) ... ..	2	S.95.B	C.	DG.2
137	F.170109	<b>Bolt</b> , flap jack operating lever attachment ... ..	2	S.95	C.	DG.2
	<del>STD.1639/13EX</del>	<del><b>BOLT AT IDLING LINK FULCRUM</b></del>	<del>2</del>	<del>S.95.B</del>		<del>5</del>
	C.199991	<b>DETAILS IN PORT WING, ASSEMBLY</b> ... ..	-	-		
	F.185694	<b>Angle</b> , connector rod anchor, flap inboard bearing bracket	1	DTD.364		
8436	A.199188	<b>Cable</b> , operating desynn transmitter, group ... .. Consisting of :-	1	-	B.	DG.2
29H/4109	Latch & Batchelor 1/00	<b>Cable</b> , flexible, special $\frac{1}{32}$ " dia. ... ..	25"	-	C.	
29H/1878	Bowden B.52	<b>Casing</b> , outer ... ..	21"	-	C.	
29H/1893	Bowden PN.980	<b>Ferrule</b> , plain ... ..	2	-	C.	
29H/1176	Bowden PN.935	<b>Nipple</b> ... ..	1	-	C.	
	F.189497	<b>Nipple</b> , special ... ..	1	B.11		
29H/-	Bowden PN.1160	<b>Nut</b> ... ..	1	-	C.	
29H/1900	Bowden PN.1159	<b>Stop</b> , adjusting ... ..	1	-	C.	
1310	A.185383	<b>Lever</b> , flap interconnecting, inboard hinge ... ..	1	-	B.	DG.2
148	F.176488	<b>Lever</b> , flap interconnecting, inboard hinge ... ..	1	DTD.364	C.	DG.2
4482	F.199213	<b>Link</b> , at desynn transmitter ... ..	1	L.72	C.	DG.2
153	F.181946	<b>PEG Leg</b> , attachment of flap levers, inboard hinge ... ..	1	S.95.B	C.	DG.2
154	Std.1221/Y/B40	<b>Pin</b> , attachment of control rod to position indicator lever	2	S.2	C.	4
1315	F.185697	<b>Rod</b> , connecting levers, flap inboard bearing bracket	1	-	C.	DG.2
4480	F.199191	<b>Shackle</b> , at desynn transmitter ... ..	1	S.3	C.	DG.2
4469	F.157015	<b>Spring</b> , at desynn transmitter ... ..	1	Steel	C.	DG.2
	C.185037-8	<b>FLAP, SYNCHRONISING, JACK MOUNTING, ASSEMBLY</b>	-	-		
4218	A.198798	<b>Adaptor</b> ... ..	4	DTD.364	C.	DG.2
1305	C.185039-40	<b>Blocks</b> , bearing, port ... ..	1 pr.	-	C.	DG.2
1307	C.185041-2	<b>Blocks</b> , bearing, starboard ... ..	1 pr.	-	C.	DG.2
74	Std.1553/C40	<b>Bolt</b> , special ... ..	16	S.99.B	C.	5
1304	F.185860	<b>Bolt</b> , securing jack to lever ... ..	2	S.99.B	C.	DG.2
4219	F.191499	<b>Bolt</b> , banjo ... ..	4	S.95.B	C.	DG.2
7680	Std.1231/3.B	<b>Lug</b> , locking ... ..	4	S.2	MR/C	4
4214	A.198842/1	<b>Pipe</b> , greaser, port, inner ... ..	1	-	C.	DG.2
4215	A.198842/2	<b>Pipe</b> , greaser, starboard, inner ... ..	1	-	C.	
4216	A.198842/3	<b>Pipe</b> , greaser, port, outer ... ..	1	-	C.	DG.2
4217	A.198842/4	<b>Pipe</b> , greaser, starboard, outer ... ..	1	-	C.	
27Q/12001	Dowty SP.815/3	<b>Seal</b> ... ..	4	-	C.	
	F.202783	<b>Shim</b> , flap synchronising jack mounting ... ..	QR	L.72		
	F.202784	<b>Shim</b> , flap synchronising jack mounting ... ..	QR	L.72		
	F.202785	<b>Shim</b> , flap synchronising jack mounting ... ..	QR	L.72		
	F.202786	<b>Shim</b> , flap synchronising jack mounting ... ..	QR	L.72		
4150	Std.915/C.22	<b>Washer</b> ... ..	4	DTD.610	C.	4

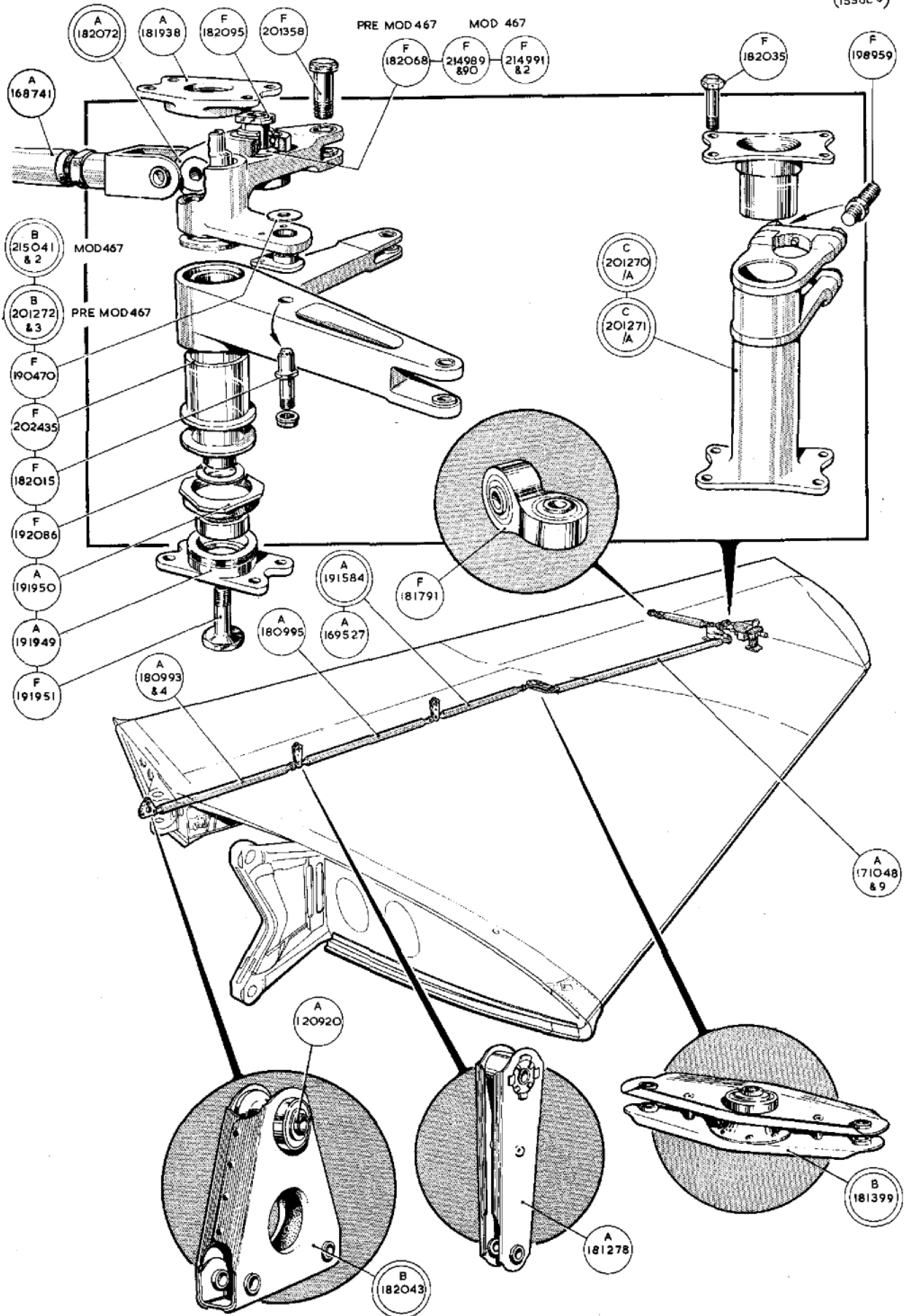
FLYING CONTROLS—OUTER WING

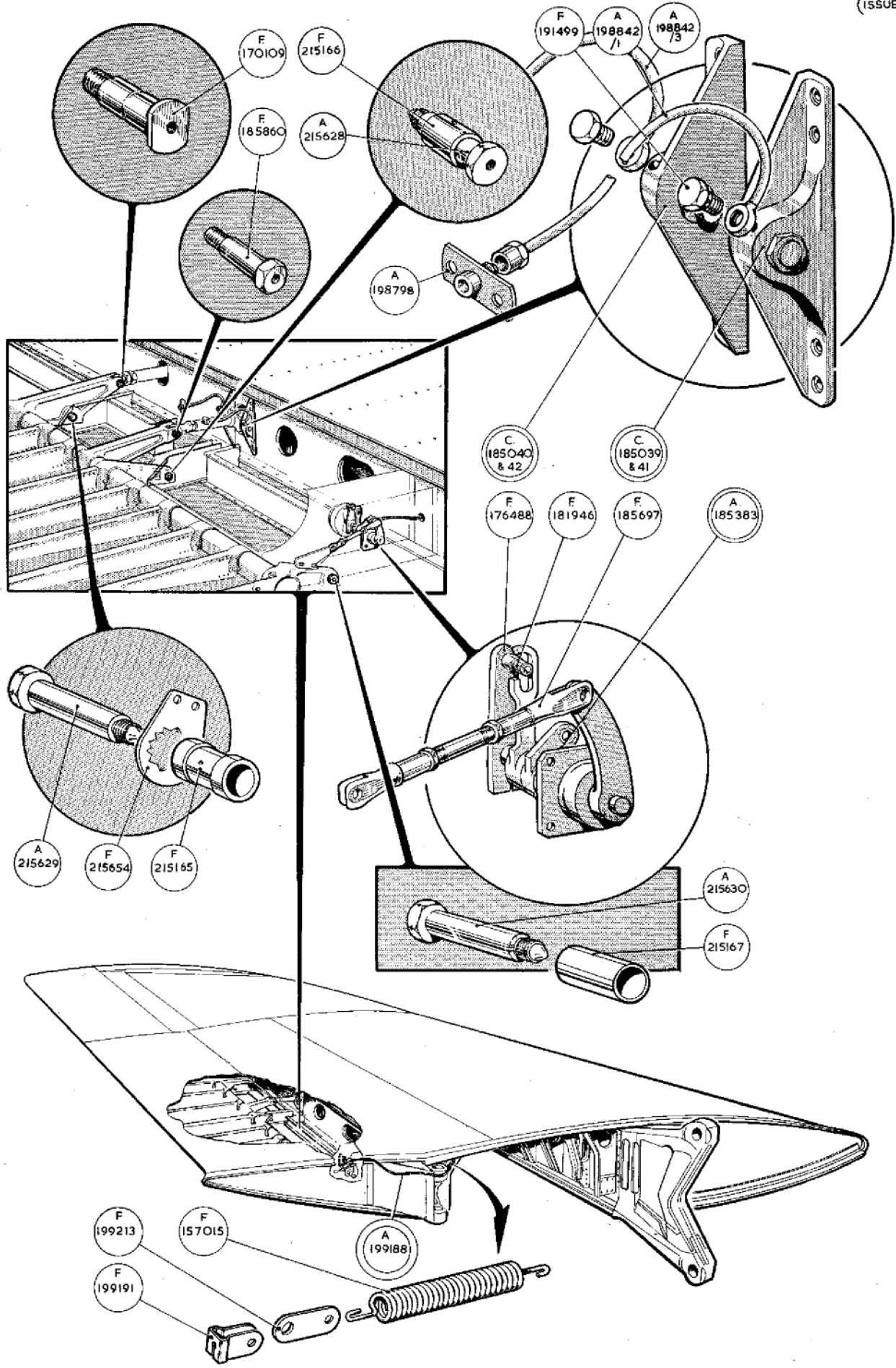
Ref. No.	Part No.	Description	No. Off					Material Specification	M.R. Class of Store	Plate No.
			1	2	3	4	5			
138	B.182043	Lever, aileron, inboard, group ... ..	2					B.	DG.1	
<del>2A9600415</del>	B.R.A.½	Bearing ... ..	2					B.		
	Std.1357/40	Ferrule ... ..	4				S.2			
5783	A.120920	Sleeve ... ..	1				S.2	C.	DG.1	
	Std.184/5B	Washer ... ..	4				S.2			
146	B.181399	Lever, aileron control, rib "L" ... ..	2					B.	DG.1	
151	A.181278	Link, idling, aileron control ... ..	4					B.	DG.1	
	C.201270-1	<b>LINKAGE, AILERON BOOSTER, ASSEMBLY</b>	-							
127	A.181938	Bearing, aileron booster unit ... ..	2					B.	DG.1	
130	F.182035*	Bolt, attachment of bearing blocks at aileron booster unit	32				S.95.B	C.	DG.1	
5278	Std.1639/4EX	Bolt, attachment of bearing blocks at aileron booster unit	32				S.95.B	C.	5	
5257	F.201358	Bolt, attachment of booster unit to lever... ..	2				S.95.B	C.	DG.1	
5262	C.201270/A	Housing, bearing, port, group ... ..	1					B.	DG.1	
		Consisting of :-								
	Std.1553/E.145	Bolt ... ..	1				S.99			
	B.201276	Housing, group ... ..	1							
	F.168683	Stud ... ..	2				H.T.S.			
4189	F.198959	Stud ... ..	2				H.T.S.	C.	DG.1	
28M/12930	A27.ES	Nut ... ..	1					C.		
28P/12462	SP.9.C8	Pin, split ... ..	1					C.		
	A.201278	Plug, end ... ..	1				H.T.S.			
28W/14183	AS.1903/E12	Saddle ... ..	2					C		
5263	C.201271/A	Housing, bearing, starboard, group ... ..	1					B.	DG.1	
		Consisting of :-								
	Std.1553/E.145	Bolt, ... ..	1				S.99			
	B.210277	Housing, group ... ..	1							
	F.168683	Stud ... ..	2				H.T.S.			
4189	F.198959	Stud ... ..	2				H.T.S.	C.	DG.1	
28M/12930	A27.ES	Nut ... ..	1					C.		
28P/12462	SP.9.C8	Pin, split ... ..	1					C.		
	A.201278	Plug, end ... ..	1				H.T.S.			
28W/14183	AS.1903/E12	Saddle ... ..	2					C		
5259	B.201272	Lever, aileron booster unit, port group (Pre Mod.467)	1					B.	DG.1	
7957	B.215041	Lever, aileron booster unit, port, group (Mod.467)	1						DG.1	
5260	<del>B.210275-101213</del>	Lever, aileron booster unit, starboard group (Pre Mod. 467)	1					B.	DG.1	
7958	B.215042	Lever, aileron booster unit, starboard group (Mod. 467)	1						DG.1	
27S/83	BRL.5/8	Bearing ... ..	2					B.		
1560	A.191949	Block, bearing ... ..	2				Stamping	C.	DG.1	
1561	F.191951	Bolt, bearing retaining ... ..	2				S.96.B	C.	DG.1	
132	F.182095	Bolt, shackle attachment ... ..	2				S.95.B	C.	DG.1	
1562	A.191950	Cap, bearing retaining ... ..	2				DTD.364	C.	DG.1	
	<del>C.210271-C201274</del>	Lever, port, group ... ..	1							
	C.201275	Lever, starboard, group ... ..	1							
5261	F.202435	Bush ... ..	2				BSS.369	C.	DG.1	
	Std.1357/37	Ferrule ... ..	4				S.2			
	Std.1357/38	Ferrule ... ..	4				S.2			
174	F.182015	Pin, lever attachment ... ..	2				S.97.B	C.	DG.1	



FLYING CONTROLS-OUTER WING

Ref. No.	Part No.	Description					No. Off	Material Specification	M.R. Class of Store	Plate No.
		1	2	3	4	5				
<b>SUMMARY OF STOCK ITEMS</b>										
28D/12512	A25-1C	Bolt,	2	B.A.	...	...	...	...	---	---
28D/12513	A25-2C	Bolt,	2	B.A.	...	...	...	...	---	---
28D/12531	A25-3C	Bolt,	2	B.A.	...	...	...	...	---	---
28D/12566	A25-6C	Bolt,	2	B.A.	...	...	...	...	---	---
28D/12634	A25-18E	Bolt,	1/4"	B.S.F.	...	...	...	...	---	---
28D/14365	A30-11G	Bolt,	3/16"	B.S.F.	...	...	...	...	---	---
28D/13477	A30.13.J	Bolt	...	...	...	...	...	...	---	---
28D/8309	AS.1242/4C	Bolt,	2	B.A.	...	...	...	...	---	---
<del>28D/11510</del>	<del>AS.2504/9G</del>	<del>Bolt,</del>	<del>1/8"</del>	<del>B.S.F.</del>	...	...	...	...	---	---
<del>28D/13435</del>	<del>AS.2504/20J</del>	<del>Bolt,</del>	<del>3/8"</del>	<del>B.S.F.</del>	...	...	...	...	---	---
<del>28D/13258</del>	<del>AS.2504/5C</del>	<del>Bolt</del>	...	...	...	...	...	...	---	---
* SEE BELOW										
28N/9796	SP.21	Lubricator:	...	...	...	...	...	...	---	---
28M/12929	A27.CP	Nut,	2	B.A.	...	...	...	...	---	---
28M/13121	A27.C.S.	Nut,	2	B.A.	...	...	...	...	---	---
28L/13124	A27.CT	Nut,	2	B.A.	...	...	...	...	---	---
28M/12930	A27.E.S.	Nut,	1/4"	B.S.F.	...	...	...	...	---	---
28M/13122	A27.G.S.	Nut,	1/8"	B.S.F.	...	...	...	...	---	---
28M/13123	A.27.J.S.	Nut,	1/8"	B.S.F.	...	...	...	...	---	---
28M/13028	A27.J.T.	Nut,	3/8"	B.S.F.	...	...	...	...	---	---
28M/13120	A27.L.S.	Nut,	1/8"	B.S.F.	...	...	...	...	---	---
28M/14537	A58.G.S.	Nut,	1/8"	B.S.F.	...	...	...	...	---	---
28M/15496	A58.L.T.	Nut,	1/8"	B.S.F.	...	...	...	...	---	---
28M/14555	A58.N.S.	Nut	...	...	...	...	...	...	---	---
28M/8101	AGS.572.C	Nut,	1/8"	B.S.F.	...	...	...	...	---	---
28M/7727	AGS.572.E	Nut,	3/8"	B.S.F.	...	...	...	...	---	---
28M/7748	AGS.572.J	Nut,	1/8"	B.S.F.	...	...	...	...	---	---
28M/10288	AGS.2001/C1	Nut,	2	B.A.	...	...	...	...	---	---
28M/10328	AGS.2002/C1	Nut,	2	B.A.	...	...	...	...	---	---
28P/828	SP.4.Y.B2	Pin	...	...	...	...	...	...	---	---
<del>28V/13275</del>	<del>SP15.C</del>	<del>Washer</del>	...	...	...	...	...	...	---	---
<del>28V/13276</del>	<del>SP15.G</del>	<del>Washer</del>	...	...	...	...	...	...	---	---
<del>28V/13277</del>	<del>SP15.J</del>	<del>Washer</del>	...	...	...	...	...	...	---	---
<del>28V/13278</del>	<del>SP15.L</del>	<del>Washer</del>	...	...	...	...	...	...	---	---
<del>28V/13279</del>	<del>SP16.C</del>	<del>Washer</del>	...	...	...	...	...	...	---	---
<del>28V/13280</del>	<del>SP16.G</del>	<del>Washer</del>	...	...	...	...	...	...	---	---
<del>28V/13281</del>	<del>SP16.J</del>	<del>Washer</del>	...	...	...	...	...	...	---	---
<del>28V/13282</del>	<del>SP16.P</del>	<del>Washer</del>	...	...	...	...	...	...	---	---
* 28D/13256	A30. S. E.	BOLT,	2	B.A.	...	...	...	...	---	---
28D/14218	A30. 9 G	BOLT,	3/16"	B.S.F.	...	...	...	...	---	---
28D/	A30. 20.J.	BOLT	3/8"	B.S.F.	...	...	...	...	---	---





This file was downloaded  
from the RTFM Library.  
Link:[www.scottbouch.com/rtfm](http://www.scottbouch.com/rtfm)

Please see site for usage terms,  
and more aircraft documents.

