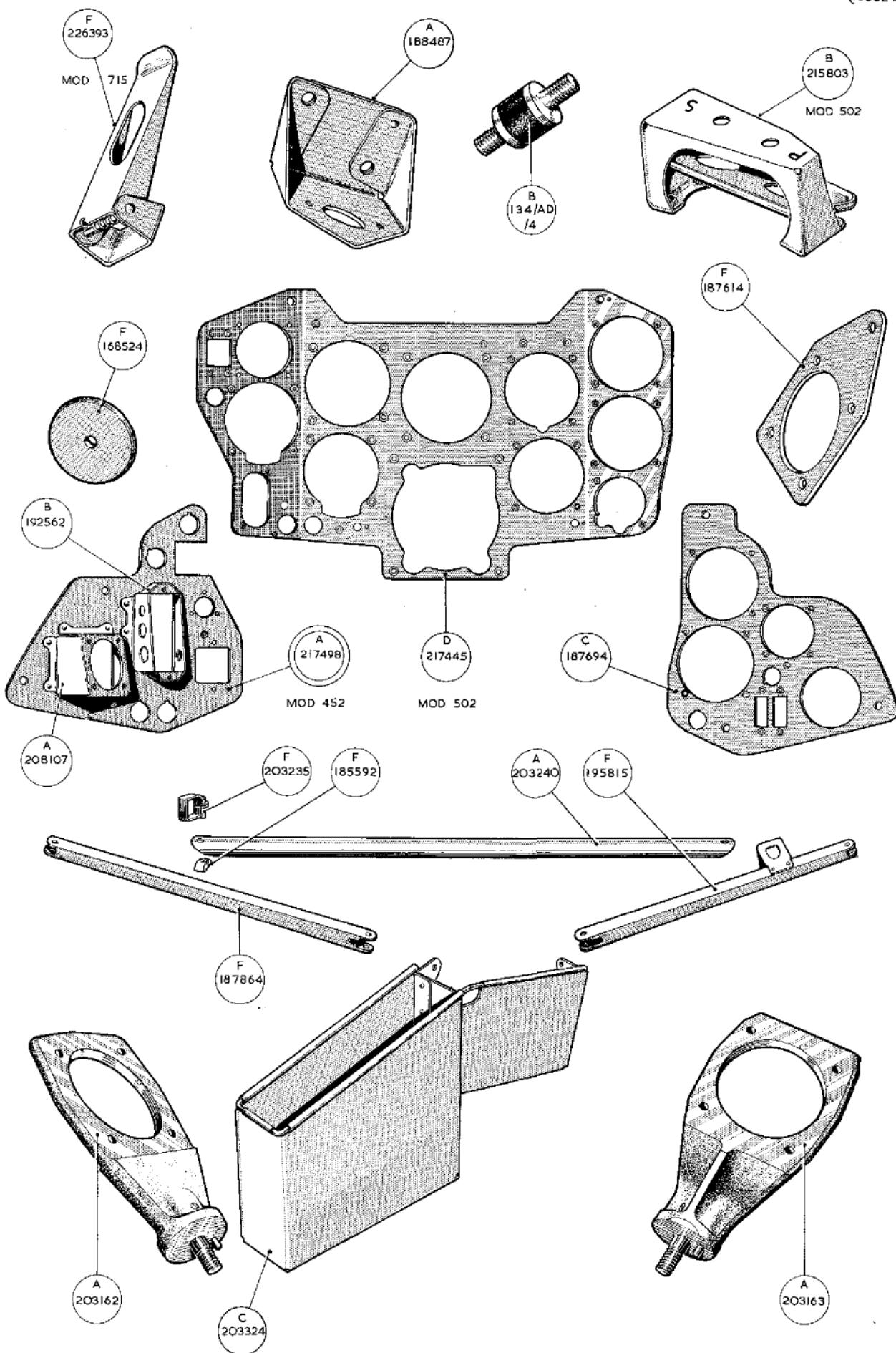


EQUIPMENT AIRCRAFT—G.M. COMPASS INSTALLATION

Ref. No.	Part No.	Description	No. Off	Material Specification	M.R. Class of Store	Place No.
	E.200068	G.M. COMPASS INSTALLATION, ASSEMBLY (Pre Mod. 256)	-	-		
6B/635	—	Amplifier, precession	1	—	A.	
6B/2569	—	Box, connector control	1	—	A.	
—	—	Cable, electrical (See Cable Chart)	—	—	—	
	Std.850/32	Clip, detector unit cable attachment at outer wing end rib	1	DTD.610		
	F.193236	Plate, for panel mounting plug	1	DTD.610		
5F/2281	Hellerman HV.3341	Strapping, $\frac{1}{2}$ " wide	QR	—	C.	
5F/2279	Hellerman HV.3254	Strapping, $\frac{5}{16}$ " wide	QR	—	C.	
5F/2282	Hellerman HV.3342	Stud	QR	—	C.	
5F/2280	Hellerman HV.3255	Stud	QR	—	C.	
6B/438	—	Tray, mounting for amplifier	1	—	A.	
6B/1993	—	Unit, detector, type "A"	1	—	A.	
10H/Z.970050	—	Washer, panel mounting	2	—	C.	
	G.212370	G.M. COMPASS INSTALLATION, ASSEMBLY (Mod. 256)	-	-		
6B/635	—	Amplifier, precession	1	—	A.	
6B/2569	—	Box, connector control	1	—	A.	
—	—	Cables, electrical (See Cable Chart)	—	—	—	
7846	F.207421	Clip, securing cable	9	L.72	C.	
7847	F.210058	Clip, securing coupler plug	1	L.72	C.	
9493	F.222036	Clip, special, securing cables (Mod. 629)	6	—	C.	
3741	Std.840/20	Clip, securing cable at frame 18, $\frac{7}{16}$ " wide x 22 S.W.G. x 2" long	10	DTD.610	C.	4
3951	Std.840/26	Clip, $\frac{7}{16}$ " wide x 22 S.W.G. x 2-6" long	1	DTD.610	MR/C	
3740	Std.840/33	Clip, $\frac{7}{16}$ " wide x 22 S.W.G. x 3-3" long	1	DTD.610	MR/C	
	Std.841/27	Clip, $\frac{7}{16}$ " wide x 22 S.W.G. x 2-7" long	1	DTD.610		
3756	Std.850/27	Clip, $\frac{7}{16}$ " wide x 22 S.W.G. x 2-7" long	1	DTD.610	MR/C	
	F.208641	Cover, forward of frame 18	1	L.72		
8277	F.213231	Fairlead, at frame 52	1	LFS.21	MR/C	
	F.213415	Hook, at frame 52	2	L.72		
	F.210974	Plate, adaptor	1	L.72		
	F.193236	Plate, plug	1	—		
	F.213232	Strip, rubbing, at frame 52	1	DTD.171		
5F/2281	Hellerman HV.3341	Strapping, $\frac{1}{2}$ " wide	QR	—	C.	
5F/2282	Hellerman HV.3342	Stud	QR	—	C.	
	Std.1509/23/090	Tube, distance, $\frac{1}{8}$ " o/d x 17 S.W.G. x .9" long (Make from 30B/556)	9	T.4	—	
5X/6419	Plessey Z.54079	Tag	24	—	C.	
5X/6418	Plessey Z.54066	Thimble	24	—	C.	
6B/438	—	Tray, mounting, for amplifier	1	—	A.	
6B/1993	—	Unit, detector, type "A"	1	—	A.	
10H/Z.970050	—	Washer, panel mounting	3	—	C.	

EQUIPMENT AIRCRAFT—G.M. COMPASS INSTALLATION

Ref. No.	Part No.	Description					No. Off	Material Specification	M.R. Class of Store	Plate No.
		1	2	3	4	5				
SUMMARY OF STOCK ITEMS										
28D/12528	A25.1.B	Bolt, 4	B.A.
28D/12512	A25.1.C	Bolt, 2	B.A.
28D/12539	A25.16.C	Bolt, 2	B.A.
28D/12953	A.28.1.B	Bolt, 4	B.A.
28M/10288	AGS.2001/C.1	Nut, 2	B.A.
28M/10327	AGS.2002/B.1	Nut, 4	B.A.
28M/10309	AGS.2002/B.4	Nut, 4	B.A.
28M/10328	AGS.2002/C.1	Nut, 2	B.A.
5K/88	AGS.1658/1	Nut, gland	
28S/2772	A31.C.20	Screw, 2	B.A.
28S/13883	A31.B.14	Screw, 4	B.A.
28S/13887	A32.B.10	Screw, 4	B.A.
28S/2857	A32.B.12	Screw, 4	B.A.
28S/14005	A32.B.14	Screw, 4	B.A.
28S/2085	A43.B.24	Screw, 4	B.A.
28S/2418	A44.C.20	Screw, 2	B.A.
28D/8341	AS.1248/1.C	Screw, 2	B.A.
5K/41	AGS.1653/1	Sleeve, inner	
5K/51	AGS.1654/2	Sleeve	
28VV/12306	SP.15.B	Washer, 4	B.A.
28VV/12296	SP.15.C	Washer, 2	B.A.





This file was downloaded
from the RTFM Library.

Link: www.scottbouch.com/rtfm

Please see site for usage terms,
and more aircraft documents.