

EQUIPMENT-ANCILLARY

Ref. No.	Part No.	Description	No. Off					Material Specification	M.R. Class of Store	Plate No.
			1	2	3	4	5			
		ANCILLARY EQUIPMENT ASSEMBLY								
	E.189199	Adaptor , union for pressure gauge pipe				1	DTD.364	MR/C	GA.3	
2726	A.195020	Adaptor , head, Mk. 13				3	—	B.		
4Q/2305	—	Adaptor , head, Mk. 42				1	—	B.		
4Q/2594	—	Adaptor				1	—	B.		
105G/11	—	Adaptor				1	—	B.		
4G/	Rolls Royce	Adaptor , for Avon engine stand				1	—	B.		
	GE.6004 Sht. 2									
95219	D.189647	Adaptor , cradle for Sapphire engine stand				1	—	B.	GA.6	
	A.208035	Adaptor , for external air supply, group				1	—			
	A.208029	Adaptor ,				1	Brass			
	BEN, SA.48	Plug , half, female "Instantair" $\frac{3}{8}$ "				1	—			
1731	F.193381	Ring , sealing				1	Rubber	C.		
4G/4175	—	Arm , forward towing, Mk. 1				1	—	A.		
4G/3070	—	Arm , forward steering				1	—	A.		
95142	B.199011	Bar , levelling, transverse				1	S.1	B.	GA.4	
95220	A.201222	Bar , levelling, longitudinal				1	S.1	B.	GA.8	
4Q/2617	—	Body , jack, 5 ton hydraulic				3	—	A.		
95229	B.200424	Box , for alignment sights, complete with key and sights, group				1	—	A.	GA.8	
95230	B.200424/1	Box				1	—	C.		
95152	A.193839	Key , locking				1	S3, T6 & S.21.B	B.	GA.4	
95157	A.193753	Sight , front, port				1	—	B.	GA.4	
95158	A.193754	Sight , front, starboard				1	—	B.	GA.4	
95159	A.193755	Sight , rear				2	—	B.	GA.4	
95003	A.188133	Bracket , jacking for nose undercarriage, group				1	—	B.	GA.2	
	B.191158	Bracket				1	Casting			
	Std.1996/7	Chain				2	Brass			
95065	F.164139	Pennant				1	—	C.	GA.2	
—	Aerolex	Pin , quick release, (use 27FP/638.)				1	—			
—	F.48,7/830	Ring , split type, $\frac{1}{2}$ " dia.				3	Steel			
27G/5062	Dunlop A.10039	Brake , alignment fixture				1	—	A.		
	F.214607	Cap , protective for assembly of gun pack rear mounting bolts (S.O.O.)				—	S.1			
95144	D.199059	Control , column and rudder bar rigging fixture				1	—	B.	GA.3	
95428	B.214194	Covers , blanking, for air intake, group				1 Pair	—	B.	GA.5	
		Consisting of:—								
	D.197865	Cover , blanking, for air intake, port, group				1	—			
	D.197866	Cover , blanking, for air intake starboard, group				1	—			
	C.200079	Bung , top, port				1	—			
	C.200080	Bung , top, starboard				1	—			
	C.200081	Bung , bottom, port				1	—			
	C.200082	Bung , bottom, starboard				1	—			
	A.192941	Catch , port				1	—			
	A.192942	Catch , starboard				1	—			
26AQ 5893	F.193287	Eye-bolt				1	M.S.B.			
	A.194620	Handle				2	M.S.B.			
	F.193285	Lever				2	M.S.B.			
	F.193286	Link				2	M.S.B.			
	F.193288	Plunger				2	M.S.B.			
	F.184342	Spring				2	Spr. Stl.			
95065	—	Key , ring, $1\frac{1}{2}$ " dia.				1	Steel			
N.V.	A.164139	Pennant				1	—	C.	GA.2	
	B.214194/2	Strap , complete with eyelets				1	Webbing			

EQUIPMENT-ANCILLARY

Ref. No.	Part No.	Description	No. Off					Material Specification	M.R. Class of Store	Plate No.
			1	2	3	4	5			
95217	C.200177	Cover, for centre fuselage ducts, port (Avon) ...	1					B.	GA.5	
95218	C.200178	Cover, for centre fuselage ducts, starboard (Avon) ...	1					B.	GA.5	
95028	C.192777	Cover, sealing, for jet pipe, group (Avon) ...	1					B.	GA.5	
95065	Std.1996/12	Chain, 12" long...	1				Brass			
	F.164139	Pennant ...	1					C.	GA.2	
	C.168540/2	Ring, split type ...	2				Steel			
95292	C.198871	Cover, sealing, for jet pipe, group (Sapphire) ...	1					B.	GA.5	
95065	Std.1996/12	Chain, 12" long...	1				Brass			
	F.164139	Pennant ...	1					C.	GA.2	
	C.168540/2	Ring, split type <i>8 1/2" dia. x 1/2" id.</i> ...	2				Steel			
27D/2999	B.206431	Cover, weather for centre fuselage ...	1					B.		
95022	D.194044	Cradle, inboard, for wing trestling, group ...	2					B.	GA.6	
	Std.1996/7	Chain, 7" long ...	2				Brass			
	F.180683	Lever ...	2				S.1			
	Aerolex	Pin, quick release (use 27FP/18) ...	2				Steel			
95023	F.48/7/513									
	D.194045	Cradle, outboard, for wing trestling, group ...	2					B.	GA.6	
	Std.1996/7	Chain, 7" long ...	2				Brass			
	A.180683	Lever ...	2				S.1			
—	Aerolex	Pin, quick release (use 27FP/18) ...	2				Steel			
	F.48/7/513									
	E.192688									
EQUIPMENT, HANDLING AND SPECIAL TOOLS FOR ARMAMENT PACKAGE, ASSEMBLY										
BARS, ALIGNMENT, FOR GUN SIGHT, SUB ASSEMBLY										
95161	B.192253	Bar, front, group ...	1					B.	GA.4	
27FP/28	Avia. Dev. A.615	Pin, pip ...	2					C.		
95162	B.192254	Bar, rear, group ...	1					B.	GA.4	
27FP/28	Avia. Dev. A.615	Pin, pip ...	2					C.		
4G/3360	—	Hoist, type "C" ...	3					A.		
95043	A.183955	Key, for barrel catch release ...	3				S.21	B.	GA.4	
95037	C.177141	Sling, group ...	1					B.	GA.4	
95066	B.177752	Block ...	2				M.S. DTD 5304			
	C.177141/5	Strap, group ...	1					B.	GA.4	
95153	B.196709	Spanner, for front gun nut ...	1					B.	GA.4	
27Y/5000	S.B.A.C. R.S.181/45	Spanner, front mounting retaining ring ...	1					A.		
27Y/2373	S.B.A.C. R.S.181/32	Spanner, barrel, support retaining ...	1					A.		
95036	B.177142	Spigot, group ...	2					B.	GA.4	
95044	B.183954	Tool, locking, for gun package ...	2					B.	GA.4	
95201	D.197310	Tool, lifting, for 30 m/m. "Aden" gun ...	1					B.	GA.6	
95150	B.192679	Tool, centralising barrel, group ...	1					B.	GA.4	
	F.192682	Eye-bolt ...	1				S.1			
95004	F.191165	Extension, jacking, main wheel, group ...	1					B.	GA.2	
—	F.192139	Pin ...	1				S.1			
	F.176122	Plug ...	1				S.1			
	F.176124	Spring ...	1				DTD.239			
1L/	Britool Z.4919	Extension, for starter exhaust pipe (Sapphire) ...	1					B.		
95058	A.191552	Extractor, for front spar joint pin ...	1					B.	GA.3	
95059	A.191655	Extractor, for rear spar joint pin ...	1					B.	GA.3	
95303	Dunlop A.10054	Extractor, for main wheels ...	1					B.		

EQUIPMENT-ANCILLARY

Ref. No.	Part No.	Description	No. Off	Material Specification	M.R. Class of Store	Plate No.
95032	Dunlop A.5826	Extractor , for nose wheel	1	—	B.	
95140	B.198963	Extractor , for main spar wing joint bush	1	—	B.	GA.3
95141	C.198962	Extractor , for rear spar wing joint bush	1	—	B.	GA.3
4G/4176	—	Fork unit , adjustable, Mk. 2	1	—	A.	
95005	C.191642	Gauge , incidence, for main plane, group	1	—	B.	GA.4
	F.192067	Bar , contact	2	BSS.251		
95007	B.201624	Gauge , incidence, for tail plane	1	—	B.	GA.4
95006	A.192534	Gauge , dihedral, main plane	1	—	B.	GA.4
95388	A.210992	Gauge , for undercarriage lever setting, port	1	—	B.	
95389	A.210993	Gauge , for undercarriage lever setting, starboard	1	—	B.	
	B.214835	Gauge , setting for micro-switch, nosewheel leg up	1	—		
95508	A.210921	Gauge , setting, nosewheel down	1	—	B.	
	C.188374	GROUND LOCKING GEAR, FOR FLYING CONTROLS, ASSEMBLY	—	—		
95137	C.189263	Ground locking gear , for aileron, group	2	—	B.	GA.7
	Std.1996/7	Chain , 7" long	1	Brass		
95155	A.111811	Cord , shock absorber	2	F.16	C.	GA.7
	A.208394	Pennant	1	—	C.	
	C.206419	Plate , locking	1	S.3		
	—	Ring , split type, $\frac{3}{8}$ " dia.	2	Steel		
	—	Ring , split type, 1" dia.	1	Steel		
95514	A.189264	Strap	1	F.52	C.	
95138	C.192836	Ground locking gear , for elevator, group	2	—	B.	GA.7
95068	A.192835	Cord , tension	2	F.16	C.	GA.7
95139	B.189267	Ground locking gear , for rudder, group	1	—	B.	GA.7
95069	A.193038	Bolt , wing	1	S.92B & S.3	C.	GA.7
	Std.1996/7	Chain , 7" long	2	Brass		
	A.208394	Pennant	1	—		
	—	Ring , split type, $\frac{3}{8}$ " dia.	4	—		
95135	B.188483	Ground locking gear , for cockpit controls, group	1	—	B.	GA.7
	A.88468	Bolt ,	2	S.1		
	A.192829	Bracket	1	S.3 & Rubber		
	A.200724	Bracket , for aileron locking	1	—		
	B.188483/1	Cable , front (complete with hooks and thimble)	2	W.2		
	B.188483/2	Cable , rear (complete with hooks, thimbles and bracket)	2	W.2		
	A.188484	Cap	1	S.3		
	A.200718	Cap , for aileron locking	1	—		
	F.186679	Eye-bolt	1	S.1		
	A.208393	Pennant	1	—		
95030	B.188480	Ground lock , for nose wheel, group	1	—	B.	GA.7
	A.188482	Adjuster	1	—		
	B.188481	Bar , clamping, group	1	—		
	B.188481/2	Seating	2	LFB.82		
	Std.1996/7	Chain , 7" long	2	Brass		
95065	A.164139	Pennant	1	—	C.	GA.2
—	Aerolex F.48/7/607	Pin , quick release (use 27FP/23)	1	—		
	—	Ring , split type, $\frac{3}{8}$ " dia.	3	Steel		
	A.204974	Guard , for spigot in wheel bay	1	—	B.	

EQUIPMENT-ANCILLARY

Ref. No.	Part No.	Description	No. Off					Material Specification	M.R. Class of Store	Place No.
			1	2	3	4	5			
95413	D.211231	Guard, safety, for air intake, port group ...						—	B.	
95414	D.211232	Guard, safety, for air intake, starboard group ...						—	B.	
	A.192941	Catch, assembly, port ...						—		
	A.192942	Catch, assembly, starboard ...						—		
	F.193287	Eye-bolt ...						M.S.B.		
	A.194621	Handle ...						M.S.B.		
	F.193285	Lever ...						M.S.B.		
	F.193286	Link ...						M.S.B.		
	F.193288	Plunger ...						M.S.B.		
	F.184342	Spring ...						Sp. St.		
	C.211215	Strut, bracing, group ...						—		
95086	A.194464	Guide, for fuel tanks vent connector ...						—	B.	GA.3
95421	A.214536	Indicator, position for adjustment of aileron booster unit						S.3	B.	
95083	A.195014	Jig, alignment, for gate valve, rear fuselage (Mks. 1, 2, & 6						DTD.610 & DTD.364	B.	GA.3
95505	D.210928	Jig, setting-up micro switch, nose undercarriage ...						—	A.	
95506	D.210929	Jig, setting, nosewheel door sequence valve ...						—	A.	
4Q/2604	—	Jack, pillar type, 4 ton hydraulic ...						—	A.	
95399	A.212332	Key, for hydraulic reservoir (Avon) ...						T.26 & S.3	B.	
95136	D.202713	Ladder, for pilot, group ...						—	B.	GA.5
	D.202713/12	Tread-plate ...						Alum.		
95501	B.208854	Lifting, tackle for engine starter, group (Sapphire) ...						—	B.	
95306	A.201030	Lock, rigging, elevator control tube ...						—	C.	GA.7
95307	A.201031	Lock, rigging, aileron or rudder control tubes ...						—	C.	GA.7
4G/3966	—	Mats, for main plane ...						—	B.	
95002	B.191156	Pad, jacking, at frame No. 11, group ...						—	B.	GA.2
	Std.1996/7	Chain, 7" long ...						Brass		
	Aerolex	Pin, quick release (use 27FP/15) ...						—		
	F/48/7/508	Ring, split type, 3/4" dia. ...						Steel		
9136	—									
95300	B.206725	Pad, jacking, for main plane, group ...						—	B.	GA.2
	Std.1996/7	Chain, 7" long ...						—		
	Aerolex	Pin, quick release (use 27FP/15) ...						—		
	F.48/7/508	Ring, split type, 1 1/4" dia. ...						Steel		
9138	—									
	D.193482	PICKETING AND REARWARD TOWING, ASSEMBLY						—		
95203	F.159908	Bolt, picketing, for rear fuselage group ...						—	C.	GA.5
	Std.1996/7	Chain, 7" long ...						Brass		
	F.159909	Eye-bolt ...						S.95.B		
95065	A.164139	Pennant ...						—	C.	GA.2
9137	—	Ring, split type, 1" dia. ...						—		
4G/4137	—	Bridle, towing, 50ft. long ...						—	A.	
95205	A.176437	Shackle, picketing, for main undercarriage group						—	C.	GA.5
	Std.1996/7	Chain, 7" long ...						Brass		
95071	F.176436	Collar, locking ...						T.45 & S.3	C.	GA.5
95065	A.164139	Pennant ...						—	C.	
	Aerolex	Pin, quick release (use 27FP/17) ...						—		
	F.48/7/512	Ring, split, type, 3/4" dia. ...						Steel		

EQUIPMENT-ANCILLARY

Ref. No.	Part No.	Description	No. Off	Material Specification	M.R. Class of Store	Place No.
6133	B.205907	Pad, jacking at frame 11, group (Mod. 241) ...	1	—		GA.2
	Std.1996/7	Chain, 7" long ...	2	Brass	C.	
	Aerolex	Pin, quick release (alternative to A.508.HTS) ...	2	—		
28FP/15	F.48/7/508					
	A.508.HTS	Pin, pip. (alternative to F.48/7/508) ...	2	—	C.	
9136	—	Ring, split, 3/8" dia. ...	4	Steel	C.	
95606	B.205909	Pad, jacking for wing, group (Mod. 241) ...	1	—	B.	GA.2
	Std.1996/7	Chain, 7" long ...	2	Brass	C.	
6133	Aerolex	Pin, quick release (use 28FP/923) ...	2	—		
—	F.48/7/509					
9136	—	Ring, split, 3/8" dia. ...	4	Steel	C.	
	D.193482	PICKETING AND REARWARD TOWING, ASSEMBLY	—	—		
95203	F.159908	Bolt, picketing, for rear fuselage group ...	1	—	B.	GA.5
6133	Std.1996/7	Chain, 7" long ...	1	Brass	C.	
95632	F.159909	Eye-bolt ...	1	S.95.B	C.	GA.5
95065	A.164139	Pennant ...	1	—	C.	GA.2
9137	—	Ring, split type, 1" dia. ...	2	—	C.	
4GB/4137	—	Bridle, towing, 50ft. long ...	1	—	A.	
95205	A.176437	Shackle, picketing, for main undercarriage group	2	—	B.	GA.5
6133	Std.1996/7	Chain, 7" long ...	3	Brass	C.	
95071	F.176436	Collar, locking ...	1	—	C.	GA.5
95065	A.164139	Pennant ...	1	—	C.	
—	Aerolex	Pin, quick release (use 28FP/17) ...	1	—		
9136	F.48/7/512					
9136	—	Ring, split, type, 3/8" dia. ...	4	Steel	C.	
95204	A.176434	Shackle, picketing, for nose undercarriage, group	1	—	B.	GA.5
6133	Std.1996/7	Chain, 7" long ...	2	Brass	C.	
95065	A.164139	Pennant ...	1	—	C.	GA.2
—	Aerolex	Pin, quick release (use 28FP/638) ...	1	—		
9136	F.48/7/830					
9136	—	Ring, split type, 3/8" dia. ...	3	Steel	C.	
	D.191909	PICKETING AND REARWARD TOWING, ASSEMBLY (S.O.O. for embalmed aircraft only)	—	—		
95203	F.159908	Bolt, picketing, for rear fuselage, group ...	1	—	B.	GA.5
6133	Std.1996/7	Chain, 7" long ...	1	Brass	C.	
95632	F.159909	Eye-bolt ...	1	S.95.B	C.	GA.5
95065	A.164139	Pennant ...	1	—	C.	GA.2
9137	—	Ring, split type, 1" dia. ...	2	—	C.	
4GB/4137	—	Bridle, rearward towing ...	1	—	A.	
	B.191910	Fitting, picketing and rearward towing, at main undercarriage, group	2	—		GA.5
6133	Std.1996/7	Chain, 7" long ...	3	Brass	C.	
95071	F.176436	Collar ...	1	M.S.	C.	
95065	A.164139	Pennant ...	1	—	C.	GA.2
—	Aerolex	Pin, quick release (use 28FP/17) ...	1	—		
9137	F.48/7/512					
9137	—	Ring, split type, 1" dia. ...	5	—	C.	
	A.191716	Fitting, picketing at nose undercarriage, group ...	1	—		GA.5
6133	Std.1996/7	Chain, 7" long ...	2	Brass	C.	
95065	A.164139	Pennant ...	1	—	C.	GA.2
—	Aerolex	Pin, quick release (use 28FP/638) ...	1	—		
9137	F.48/7/830					
9137	—	Ring, split type, 1" dia. ...	2	—	C.	
95309	A.204865	Piece, distance, for use at front fuselage attachment nuts	1	M.S.B.	C.	GA.8

EQUIPMENT-ANCILLARY

Ref. No.	Part No.	Description	No. Off	Material Specification	M.R. Class of Store	Plate No.
	C.207506	PIPE, DEFUELLING EQUIPMENT FOR WHEELS UP, ASSEMBLY	-	-		
6631	C.207507	Pipe, group (Mod. 156)	1	-		GA.7
	Flight Refuelling C.0724000/1	Coupling, valve refuelling (alternative to FC.110 Mk.2)	1	-		
27F/2227	Avery Hardall FC.110 Mk. 2	Coupling, valve refuelling, group (alternative to C.0724000/1)	1	-	A.	
27F/2228	FC.109	Cover, duct, group	1	-	C.	
27F/2599	FC.339	Ring, sealing	1	-	C.	
	A.207512	Elbow	1	B.11		
	B.207509	Handle, for coupling	1	-		
	F.209903	Nut, special	4	M.S.		
	C.207508	Pipe, defuelling	1	-		
	Avica 1/12/72/AA	Pipe, flexible, 1 1/2"	1	-		
95046	B.191737	Rail, for engine between frames 34 and 37, group	1	-	B.	GA.6
6133	Std.1996/7	Chain, 7" long	1	Brass	C.	
	Std.1996/14	Chain, 14" long	1	Brass		
	F.199939	Label	1	-		
	Aerolex F.48/7/514	Pin, quick release (use 28FP/19)	1	-		
	B.191737/3	Plate, indicator	1	M.S.B.		
	B.191737/1	Ring, retaining adjustable stop	1	MS Wire		
9137	-	Ring, split type, 1" dia.	4	-	C.	
9378	B.176010	Stop, adjustable	1	S.95.B & S.1	B.	GA.6
5P/2908	-	Rectifier, metal transportable, type 37	1	-	A.	
95029	C.191636	Sleeve, locking, for main undercarriage, group	2	-	B.	GA.7
6133	Std.1996/7	Chain, 7" long	1	Brass	C.	
95721	F.191640	Eye-bolt	2	M.S.B.	C.	
	F.191638	Flange	1	M.S.B.		
95072	A.193720	Pennant	1	-	C.	GA.7
9136	-	Ring, split type, 3/4" dia.	2	Steel	C.	
	F.191639	Shim	4	M.S.B.		
95011	D.188575	Sling, lifting, for complete aircraft, group	1	-	B.	GA.2
95070	F.188573	Bolt, fork, for attachment of sling to aircraft	4	S.95.B	C.	GA.2
95074	A.188570	Bolt, fork, for attaching spreader strut to link	4	S.95.B	C.	GA.2
	D.188575/1	Cable, 100/110 ton	4	B.S.302		
	B.188566	Link, between spreader strut and aircraft attachment bolt	4	Stpg.		
	A.188726	Link, slinging, group	1	-		
	F.187729	Pin	2	S.94.B		
	F.187728	Roller	1	S.1		
	A.188572	Shackle, at sling to spreader strut attachment	4	Stpg.		
	B.188565	Shackle, at sling to top link attachment	2	Stpg.		
	B.188567	Strut, spreader, front and rear, group	2	-		
6133	Std.1996/7	Chain, 7" long	2	Brass	C.	
	Aerolex F.48/7/813	Pin, quick release (use 28FP/625)	2	-		
9136	-	Ring, split type, 3/4" dia.	4	-	C.	
	B.188568	Strut, spreader, side	2	-		

EQUIPMENT-ANCILLARY

Ref. No.	Part No.	Description	No. Off					Material Specification	M.R. Class of Store	Plate No.
			1	2	3	4	5			
95370	D.206952	Sling, for salvaging (Fuselage only with engine) group (S.O.O.)	1					—	B.	GA.2
95070	F.188573	Bolt, fork, for attaching sling to aircraft ...	4					S.95.B	C.	GA.2
95074	A.188570	Bolt, fork, for attaching spreader strut to link ...	4					S.96.B	C.	GA.2
	D.206952/1	Cable, forward ...	2					BS.302		
	D.206952/2	Cable, rear ...	2					BS.302		
	F.194575	Label ...	1					Brass		
	B.188566	Link, between spreader strut and aircraft attachment bolts	2					—		
	A.194422	Link, slinging, group ...	1					—		
	F.187729	Pin ...	2					S.94.B or S.95.B		
	F.187728	Roller ...	1					S.1		
	F.194423	Piece, distance ...	2					M.S.		
	F.194424	Piece, distance ...	2					M.S.		
	F.194425	Piece, distance ...	2					M.S.		
	—	Ring, split type, 1 1/4" dia. ...	2					Steel		
	B.194418	Shackle, at sling to top link attachment ...	2					Stmpg.		
	A.207182	Shackle, at sling to spreader strut attachment, rear	2					Stmpg.		
	A.207183	Shackle, at sling to spreader strut attachment, forward	2					Stmpg.		
	B.188567	Strut, spreader, front and rear group ...	2					—		
	Std.1996/7	Chain, 7" long ...	2					Brass		
—	Aerolex	Pin, quick release (use 27FP/625) ...	2					—		
	F.48/7/813	Ring, split type, 3/4" dia. ...	4					Steel		
	B.188568	Strut, spreader, side ...	2					—		
	B.189915	SLINGING, AND TRESTLING, FRONT FUSELAGE, ASSEMBLY	—					—		
95019	C.189917	Beam, at rear trestle group ...	1					—	B.	GA.1
	Std.1996/7	Chain, 7" long ...	4					Brass		
95512	F.180694	Eye-bolt ...	2					S.1	C.	
	A.180.83	Lever ...	4					S.1		
95073	A.191472	Pad, locating ...	2					LFS.21	C.	GA.1
—	Aerolex	Pin, quick release (use 27FP/18) ...	4					—		
	F.48/7/513	Ring, split type, 3/4" dia. ...	4					Steel		
95052	A.189921	Clip, at nose wheel leg ...	2					S.3 & L.16	C.	GA.1
95018	C.189916	Cradle, front, group ...	1					—	B.	GA.1
	Std.1996/7	Chain, 7" long ...	5					Brass		
	F.189923	Eye-bolt ...	2					S.2		
	A.180683	Lever ...	4					S.1		
—	Aerolex	Pin, quick release (use 27FP/18) ...	4					—		
	F.48/7/513	Pin, quick release (use 27FP/24) ...	1					—		
—	Aerolex	Ring, split type, 3/4" dia. ...	4					Steel		
	F.48/7/609									
95053	A.189922 F200668	Link, at nose wheel leg ...	1					S.1 & S.3	C.	GA.1

EQUIPMENT-ANCILLARY

Ref. No.	Part No.	Description					No. Of	Material Specification	M.R. Class of Store	Plate No.
		1	2	3	4	5				
95034	E.190347	Trolley removal, for tail unit. (Pre Mod. GE.51)					1	—	A.	GA.1
95215	C.200058	Trolley, removal, for tail unit group (Mod. GE.51)					1	—	A.	GA.1
	B.200212	Arm towing					1	—		
	D.200062	Aft-end, group					1	—		
	D.200062/12	Bush, for runner wheel					2	Bronze		
	C.189645	Jack, screw, group					2	—		
	C.189645/2	Bush					1	BSS.369		
	C.189645/7	Grub-screw					1	M.S.B.		
	C.189645/5	Nut					1	M.S.B.		
95076	C.189645/1	Shaft, screwed					1	M.S.B.	C.	GA.1
	D.200062/16	Nut, wheel attachment					4	M.S.		
	D.189637	Piece, distance, for wheel spindle					4	S.21.B		
95077	D.189638	Spindle					2	S.21.B	C.	GA.1
95078	Dunlop	Wheel, complete with solid tyre					2	—	B.	GA.1
	WDM.564	Wheel, runner					2	M.S.B.		
	D.200062/11	Wheel, runner					2	M.S.B.		
	C.200058/1	Bolt, attaching side frame					6	M.S.		
	C.200058/2	Bolt, attaching side frame					2	M.S.		
	C.200060	Cradle					1	—		
	B.200059	Frame, side					2	—		
	D.200061	Forward-end, group					1	—		
275/263	Fischer W.1	Bearing, thrust race					2	—		
	D.189642	Bush, for castor fork spindle					2	Bronze		
	D.200062/12	Bush, for runner wheel					2	Bronze		
	C.189645	Jack, screw, group					2	—		
	C.189645/2	Bush					1	BSS.369		
	C.189645/7	Grub-screw					1	M.S.B.		
	C.189645/5	Nut					1	M.S.B.		
95076	C.189645/1	Shaft, screwed					1	M.S.B.	C.	GA.1
	D.200061/16	Nut, wheel attachment					4	M.S.B.		
	D.189637	Piece, distance, for wheel spindle					4	S.21.B		
95077	D.189638	Spindle					2	S.21.B	C.	GA.1
	Dunlop	Wheel, complete with solid tyre					2	—	B.	GA.1
	WDM.564	Wheel, runner					2	M.S.B.		
	D.200062/11	Wheel, runner					2	M.S.B.		
	F.200236	Lug, for tie bar					4	M.S.		
	C.190463	Strap, attachment, group					1	—		
	A.179741	Bolt, with plate, group					1	—		
	F.179739	Bolt					1	S1, S3		
	F.179741/1	Collar					1	S.1		
	A.200232	Tie-bar					2	—		
95014	C.188900	Sling, for outer wings, group					1	—	B.	GA.2
	C.188900/1	Cable, forward, 100/110 ton, $\frac{3}{16}$ " dia.					1	BS.302		
	C.188900/2	Cable, rear, 100/110 ton, $\frac{5}{16}$ " dia.					1	BS.302		
	Std.1996/7	Chain, 7" long					3	Brass		
95075	F.188901	Eye-bolt					3	S.95.B	C.	GA.1
—	Aerolex	Pin, quick release (use 27FP/639)					3	—	—	
	F.48/7/1017	Ring, split type, $1\frac{1}{2}$ " dia.					3	Steel		
	—	Ring, lifting					1	S.92.B		
	F.186238	Ring, lifting					1	S.92.B		

EQUIPMENT-ANCILLARY

Ref. No.	Part No.	Description					No. Off	Material Specification	M.R. Class of Store	Plate No.	
		1	2	3	4	5					
95222	C.199388	Sling, outer wing for chord vertical lifting					1	—	B.	GA.2	
	C.199388/1	Cable, 100/110 ton $\frac{5}{16}$ " dia., complete with lifting ring					4	BS.302			
	C.199388/2	Leather strip, $\frac{1}{16}$ " thick					4	—			
	A.199389	Screw, anchorage					4	—			
	F.199390	Thimble					4	—			
95016	B.190526	Sling, for tail plane, fin and rudder					1	—	B.	GA.2	
	B.190526/1	Cable, 100/110 ton, $\frac{5}{16}$ " dia.					2	BS.302			
	Std.1996/7	Chain, 7" long					4	Brass			
	F.190527	Pin					1	H.T.S.			
	F.199873	Pin					1	—			
	—	Aerolex	Pin, quick release (use 27FP/26)					2			—
	—	F.48/7/612	Ring, lifting					1			S.92.B
—	F.180478	Ring, split type, 1 $\frac{1}{4}$ " dia.					2	Steel			
4G/4783	Rolls Royce J.47623	Sling, for "Avon" engine					1	—	A.		
4G/	Armstrong Siddeley	Sling, for Sapphire engine					1	—	A.		
95087	A.194634	Spanner, for Dunlop brake, adjustment					1	—	B.	GA.3	
95311	A.209612	Spanner, for flap hinge bolts (aircraft with Mod. H.183)					1	—	B.	GA.8	
95228	BRITOOOL Z.4948	Spanner, for rear fuselage transport joint nuts					1	—	B.		
95085	A.194578	Spanner, for inverted flight valve connector					1	EN.33	B.	GA.3	
95081	B.194717	Spanner, for refuelling valve, forward					1	T.26 & S.3	B.	GA.3	
95426	B.204233	Spanner, crutching for inboard and outboard pylons (Mks. 4, 5, 6, 50 and 51)					1	—	B.		
95226	A.201955	Spanner, special, for main fuel delivery joint					1	EN.33	B.	GA.8	
95163	A.197766	Spanner, for hydraulic system, -605"—610" A/F					1	S.21 & S.3	B.	GA.3	
95420	A.214535	Spanner, dial for aileron booster unit adjustment					1	—	B.		
95165	A.197767	Spanner, for hydraulic system, -852"—830" A/F					1	S.21 & S.3	B.	GA.3	
95227	A.201798	Spanner, for air conditioning union (Sapphire)					1	—	B.		
95166	A.197768	Spanner, for hydraulic system, 1-015"—1-020" A/F					1	S.21 & S.3	B.	GA.3	
95084	A.194729	Spanner, fuel system extension (Mks. 1, 2, 6, 50 and 51)					1	EN.33	B.		
95164	F.199124	Spanner, for hydraulic system					1	—	B.	GA.3	
1L/	Lyon or Ford	Spanner, set, $\frac{3}{4}$ " B.S.F. straight ended					1	—	A.		
95304	F.199406	Spanner, for elevator outer hinge, -925" A/F					1	M.S.	B.	GA.8	
95305	F.199407	Spanner, for elevator outer hinge, -715" A/F					1	M.S.	B.	GA.8	
95308	B.204866	Spanner, for front fuselage attachment nuts					1	Steel	B.	GA.8	
95425	A.190295	Spanner, for fuel system					1	M.S.	B.		
95503	B.209815	Spanner, wing fuel system (Mks. 4, 5, 6, 50 and 51)					1	Steel	B.		
95504	B.209816	Spanner, wing fuel system (Mks. 4, 5, 6, 50 and 51)					1	Steel	B.		
95143	F.198704	Spigot, levelling, removable, group					2	—	B.	GA.3	
95065	Std.1996/7	Chain, 7" long					1	Brass			
	FE.164139	Pennant					1	—	C.	GA.2	
	—	Ring, split type, $\frac{3}{4}$ " dia.					1	Steel			
4G/4241	Rolls Royce GE.6004 Sht. 1	Stand, for Avon Engine, type 'B'					1	—	A.		
4G/	Armstrong Siddeley	Stand, for Sapphire engine					1	—	A.		

EQUIPMENT-ANCILLARY

Ref. No.	Part No.	Description	No. Off					Material Specification	M.R. Class of Store	Plate No.	
			1	2	3	4	5				
95234	B.199253	Strut, bracing, for gun package removal, group	1	—	B.	GA.8
	F.199257	Block, trunnion	1	S.1		
	F.199255	Bolt, fork	1	M.S.B.		
	A.199254	Fork-end	1	S.I.B.		
	F.199256	Pin, trunnion	1	M.S.B.		
95365	B.204496	Tackle, lifting for Rotax starter (Mk. 2 only)	1	—	B.	
95427	C.208502	Test Equipment for Fuel system, group (Mod. 385. S.O.O.)	1	—	A.	
	A.211191	Adaptor for spine connection, group (Mks. 4, 5, 6, 50 and 51)	1	—		
	C.212514	Box, for test equipment	1	—		
	B.207700	Box, control, group	1	—		
	SK.342/1	Controller, I.V.	1	—		
	Std.1371.C	Coupling	1	DTD.423		
	B.207700/1	Hose, 3/4" i/d. x 12 ft. long	1	—		
	F.207701	Nipple, special	1	L.65.C		
	BEN/S.A.48	Plug, instantair	1	—		
95759	A.207563	Bung, for rear vent pipe, group (Mks. 1, 2 & 6 only)	1	—		
	A.207568	Bolt	1	Brass		
	A.207563/1	Gland	1	Rubber		
	F.207577	Nut, wing	1	M.S.		
	A.207576	Sleeve	1	M.S.		
	F.207940	Bung, for recuperator vent pipe, group (Mk. 6 only)	1	—		
	F.207941	Barrel	1	M.S.		
	F.207942	Bolt	1	M.S.		
	F.207940/1	Gland	1	Rubber		
	A.209881	Cap, for vent pipe, port and starboard, group (Sapphire)	2	—		
	A.207818	Cover, blanking for refuelling P.R.V., group (Mks. 4, 5, 6, 50 and 51)	2	—		
	A.207800	Clamp	1	M.S.		
	A.207817	Nut, wing	1	—		
	F.207793	Plunger, group	1	—		
27QA/5	Dowty	Ring, seal	1	—	C.	
	SP.597/9					
5269	Fairey	Ring, retaining	2	—	C.	
	Aviat. Co. FS.553					
	A.209783	Interconnection, rear fuselage, group (Mk. 6 only)	1	—		
	A.208433	Coupling, hose	1	DTD.253		
	A.209783/1	Hose, 3/4" i/d. x 6 ft. long	2	—		
	A.209882	Plug, for reducing valve, port and starboard group (Mk. 6 only)	2	—		
95080	B.191654	Tool, for undercarriage up lock	1	—	B.	GA.3
95154	B.199592	Tool, belt removal	1	—	B.	GA.4
95223	B.200521	Tool, for assembly of transport joint spigot	1	—	B.	GA.8
95329	A.213921	Tool, cocking for rear hood latch	1	—		
4Q/2618	—	Trestle, Mk. 1	1	—	A.	
4Q/2620	—	Trestle, Mk. 3	2	—	A.	
4G/	—	Trestle, U.J. No. 6	4	—	A.	
	A.236181	Tool, MANUAL RELEASE FOR HOOD LOCK CONTROL ROD 1 MOD. GK. 882-L.M.	1	S.510	—	

EQUIPMENT-ANCILLARY

Ref. No.	Part No.	Description					No. Off	Material Specification	M.R. Class of Store	Plate No.
		1	2	3	4	5				
95045	E.189646	Trolley, removal, for engine unit (Pre Mod. GE.51)					1	—	A.	GA.6
95216	D.200213	Trolley, removal for engine unit, group (Mod. GE.51)					1	—	A.	GA.6
	B.200212	Arm, towing					1	—		
	D.200198	Aft-end, group					1	—		
	D.189644	Collar, wheel attachment					2	M.S.		
	C.189645	Jack screw, group					2	—		
	C.189645/2	Bush					1	BSS.369		
	C.189645/7	Grub screw					1	M.S.B.		
	C.189645/5	Nut					1	M.S.B.		
95076	C.189645/1	Shaft, screwed					1	M.S.B.	C.	GA.1
	D.200198/16	Nut, wheel attachment					4	M.S.		
95079	D.189643	Spindle, for wheel					2	S.21.B	B.	GA.6
95078	Dunlop	Wheel, complete with solid tyre					2	—	B.	GA.1
	WDM.564									
	C.200058/1	Bolt, attaching side frames					6	M.S.		
	C.200058/2	Bolt, attaching side frames					2	M.S.		
	B.200191	Frame, centre					1	—		
	B.200188	Frame, side					2	—		
	D.200197	Forward end, group					1	—		
27S/263	Fischer W.1	Bearing, thrust race					2	—		
	D.189642	Bush, for castor fork spindle					2	Bronze		
	C.189645	Jack, screw, group					2	—		
	C.189645/2	Bush					1	BSS.369		
	C.189645/7	Grub screw					1	M.S.B.		
	C.189645/5	Nut,					1	M.S.B.		
95076	C.189645/1	Shaft, screwed					1	M.S.B.	C.	GA.1
	D.200197/12	Nut, wheel attachment					4	M.S.		
	D.189637	Piece, distance, for wheel spindle					4	S.21.B		
95077	D.189638	Spindle					2	S.21.B	B.	GA.1
95078	Dunlop	Wheel, complete with solid tyre					2	—	B.	GA.1
	WDM.564									
	F.200238	Lug, for tie bar					2	M.S.		
	F.200237	Lug, for tie bar					2	M.S.		
	D.200210	Rail, group					1	—		
	F.196530	Bolt, at lower rail					1	S.95.B		
	D.200210/16	Bolt, special					2	M.S.		
	F.196531	Nut, at lower rail					1	S.95.B		
—	Aerolex	Pin, pip (use 27FP/42)					1	—	—	
	F.48/7/817									
	D.200210/19	Tommy-bar					2	M.S.		
	A.200233	Tie-bar					2	—		
4F/1714	—	Trolley, pressure, cabin testing, Mk. 1C					1	—	A.	
4F/1685	—	Trolley, hydraulic, Mk. 2					1	—	A.	
4F/1690	—	Trolley, E/L, servicing and testing, Mk. 1A					1	—	A.	
4G/4220	—	Trolley, oxygen charging, Mk. 2					1	—	A.	
4G/4221	—	Trolley, charging, H.P. air, Mk. 2					1	—	A.	
4G/	—	Trolley, for radar, cooling, and testing					1	—	A.	

EQUIPMENT-ANCILLARY

Ref. No.	Part No.	Description					No. Off	Material Specification	M.R. Class of Store	Plate No.
		1	2	3	4	5				
95054	ARM.92751	Trolley, gun package (simplified version)	1	—	A.	
95167	ARM.92766	Cradle, gun package group	1	—	A.	
95176	ARM.92826	Bar, towing	1	—	B.	
95178	Morgan Crucible 121410	Bush, $\frac{3}{8}$ " o/d. \times $\frac{3}{4}$ " i/d. \times $\frac{5}{8}$ " long	2	—	C.	
95175	ARM.92812	Castor, assembly	4	—	B.	
95177	ARM.69270	Screw, locking	2	—	C.	
95192	ARM.92821	Axle, front wheel	1	—	C.	
95169	ARM.92780	Bush	1	—	C.	
95198	Glacier Metal Co. 3210	Bush, $1\frac{1}{8}$ " o/d. \times 1 " i/d. \times $1\frac{1}{4}$ " long	8	—	C.	
95172	ARM.92810	Clamp	1	—	C.	
95195	ARM.65322	Clevis, complete	2	—	C.	
95190	ARM.92759	Hose, flexible	1	—	C.	
95182	ARM.92763	Jack, assembly	1	—	B.	
95170	ARM.92845	Nut and cover, assembly	1	—	C.	
95174	Mills GP.1	Pin, grooved, $\frac{1}{8}$ " dia.	2	—	C.	
95184	ARM.92765	Pin, jack pivot	2	—	C.	
95194	ARM.69308	Pin, brake rocker	1	—	C.	
95199	ARM.92770	Pin	2	—	C.	
95185	ARM.92807	Pipe, flexible hose to reducing valve	1	—	C.	
95186	ARM.92808	Pipe, tank to pump	1	—	C.	
95187	ARM.92813	Pipe, control valve to reducing valve	1	—	C.	
95188	ARM.92814	Pipe, control valve to pump	1	—	C.	
95189	ARM.92815	Pipe, control valve to tank	1	—	C.	
95197	ARM.92777	Plate, keep	4	—	C.	
95181	ARM.92829	Pump, and handle assembly	1	—	B.	
95193	ARM.92820	Rocker, brake	1	—	C.	
95171	ARM.92782	Seal, felt	1	—	C.	
95196	Dunlop WDO.4699	Seal, oil	4	—	C.	
95173	ARM.92811	Stud	1	—	C.	
95179	ARM.92760	Tank, assembly	1	—	B.	
95180	ARM.92840	Valve, control	1	—	B.	
95183	ARM.92806	Valve, reducing	1	—	B.	
95168	ARM.92756	Wheel, assembly, rear	1	—	B.	
95191	ARM.92757	Wheel, assembly, front	1	—	B.	
4G/5561	ARM.92851	Trolley, transporting, gun package, Mk. 2	1	—	A.	

EQUIPMENT-ANCILLARY

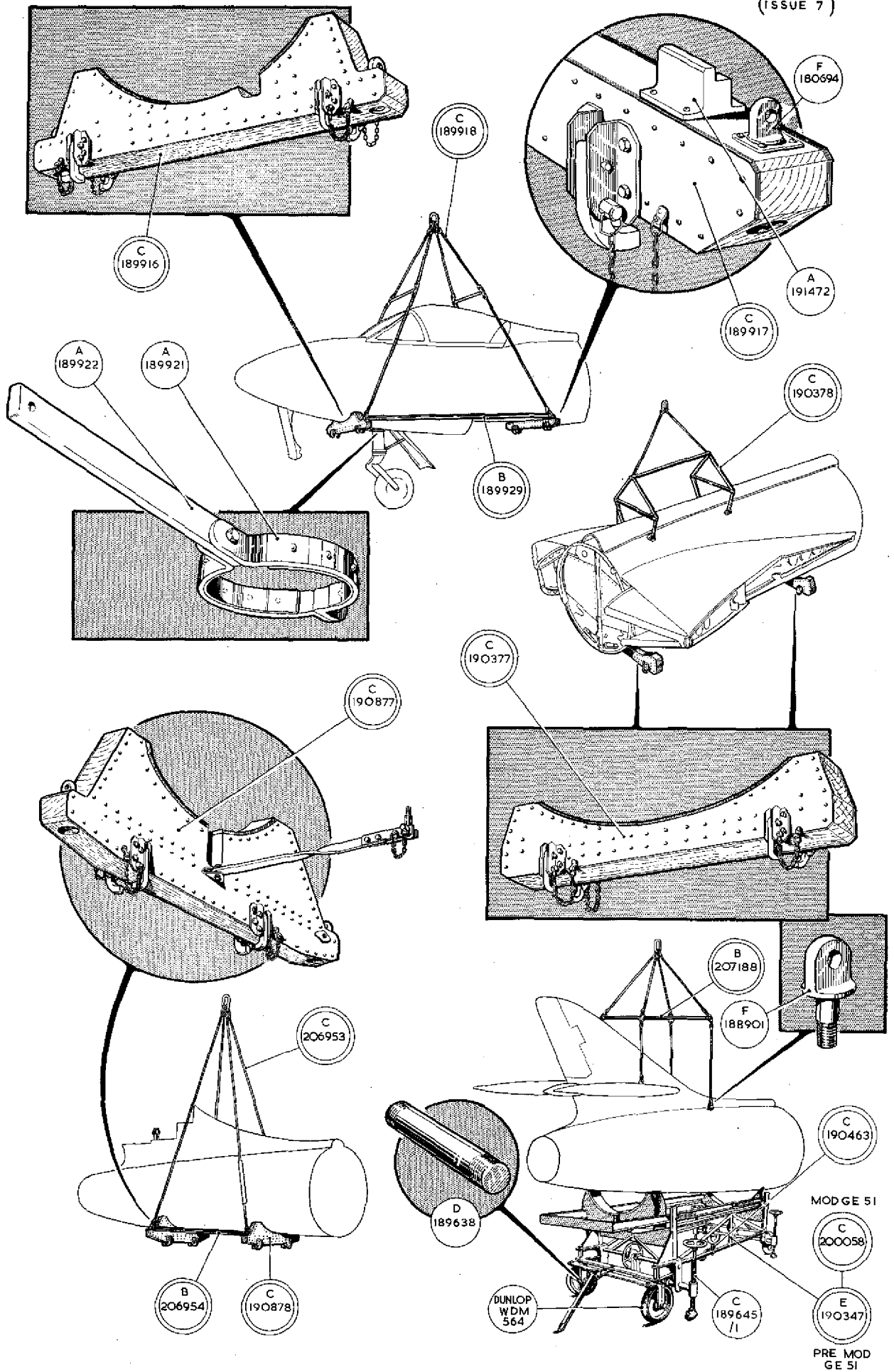
Ref. No.	Part No.	Description	No. Off					Material Specification	M.R. Class of Store	Plate No.
			1	2	3	4	5			
95038	ARM.33200	Trolley, gun package. (Alvis type, gun firing)	1	—	A.
95317	ARM.70326	Adjuster	1	—	C.
95359	Benton & Stone Y.116	Adaptor, male elbow, $\frac{3}{8}$ " B.S.P.— $\frac{5}{16}$ " thread	2	—	C.
95362	Benton & Stone Y.108	Adaptor, male elbow, $\frac{1}{2}$ " B.S.P.	1	—	C.
95266	ZRM.33146	Arm, draw, front	1	—	B.
95271	ARM.37910	Arm, draw, rear	1	—	B.
95272	ARM.70294	Axle, front	1	—	B.
95274	ARM.70234	Axle, rear	1	—	B.
95259	ARM.70165	Bar, torsion, short	2	—	C.
95260	ARM.70166	Bar, torsion, long	2	—	C.
95328	ARM.70143	Bar, toggle	1	—	C.
95250	ARM.70155	Bearing	12	—	C.
95251	ARM.70156	Bearing	4	—	C.
95329	ARM.70144	Body, filter and valve	1	—	C.
95268	ARM.70239	Bolt, for bearing housing	16	—	C.
95249	ARM.70176	Bracket, front	2	—	C.
95270	ARM.70154	Bracket, rear	2	—	C.
95323	ARM.70331	Bush, pressure	1	—	C.
95238	ARM.70189	Bush, flanged, short	8	—	C.
95262	ARM.70169	Bush, flanged, long	8	—	C.
95263	ARM.70171	Bush, flanged, long	32	—	C.
95352	—	Cap, screw, SKT/ND $\frac{3}{8}$ " B.S.F. × 1" long	4	—	C.
95353	—	Cap, screw, SKT/ND 2 B.A. × $\frac{3}{8}$ " long	1	—	C.
95235	ARM.33142	Chassis, sub-assembly	1	—	A.
95360	Z.325-20	Connector, reducing, $\frac{1}{2}$ " tube to $\frac{3}{16}$ " tube	1	—	C.
95361	X.10	Clip, single tubing	9	—	C.
95334	ARM.70319	Cylinder	2	—	C.
95294	ARM.70308	Damper	4	—	B.
95333	ARM.70227	Eye-end	2	—	C.
95282	—	Elbow, Y.581, for $\frac{5}{16}$ " tube	6	—	C.
95288	ARM.70202	Fork-end, centre	1	—	C.
95322	ARM.70330	Gasket	1	—	C.
95253	ARM.33145	Link, top	4	—	B.
95264	ARM.70173	Link, bottom, R.H.	4	—	B.
95265	ARM.70174	Link, bottom, L.H.	4	—	B.
95321	ARM.70329	Link	1	—	C.
95246	ARM.70211	Mudguard, R.H.	2	—	C.
95247	ARM.70212	Mudguard, L.H.	2	—	C.
95239	ARM.70197	Nut, tie pad	4	—	C.
95256	ARM.70162	Nut	8	—	C.
95287	—	Nut, tubing, No. Z.18	18	—	C.
95289	ARM.70201	Nut, clamp	1	—	C.
95347	—	Packing, chevron, with plastic head, $1\frac{1}{16}$ " o/d. × $\frac{11}{16}$ " i/d. × $\frac{1}{16}$ "	1	—	C.
95237	ARM.70192	Pad	4	—	C.
95241	ARM.70195	Pad, stop	16	—	C.
95332	ARM.71751	Piece, catch	1	—	C.
95291	Mills GP.1	Pin, grooved, $\frac{1}{4}$ " dia. × $1\frac{1}{2}$ " long	1	—	C.
95342	Mills GP.1	Pin, $\frac{1}{2}$ " dia. × $2\frac{1}{2}$ " long	2	—	C.
95324	ARM.70332	Pin, lever	2	—	C.

EQUIPMENT-ANCILLARY

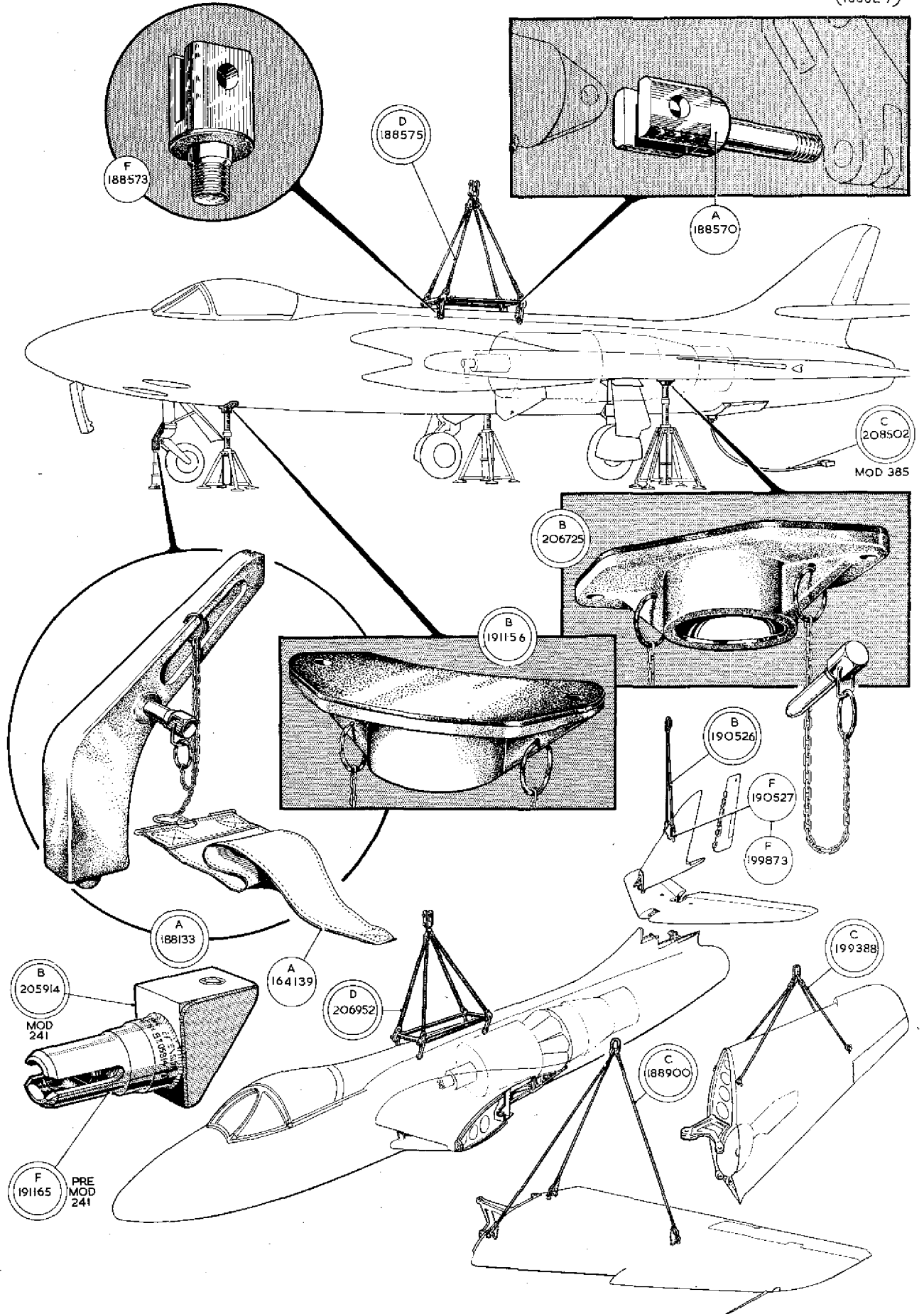
Ref. No.	Part No.	Description					No. Off	Material Specification	M.R. Class of Store	Piste No.
		1	2	3	4	5				
95326	ARM.70334	Pin, piston rod	1	—	C.	—
95345	—	Pin, $\frac{1}{8}$ " dia. x $\frac{7}{8}$ " long	1	—	C.	—
95244	ARM.70183	Pin	1	—	C.	—
95261	ARM.70167	Pin	4	—	C.	—
95330	ARM.70145	Plug, breather	1	—	C.	—
95354	—	Plug, pressure, $\frac{1}{8}$ " B.S.P.	3	—	C.	—
95314	ARM.38078	Pump, machining unit	1	—	B.	—
95327	ARM.70142	Restrictor	1	—	C.	—
95336	ARM.70276	Retainer, seal	2	—	C.	—
95243	ARM.70182	Retainer	1	—	C.	—
95337	ARM.70315	Ring, seal retaining	2	—	C.	—
95340	George Angus R.170	Ring, "O," 2.625 i/d. x .138 thick	2	—	C.	—
95343	George Angus R.133	Ring, "O," .984 i/d. x .139" thick	2	—	C.	—
95348	George Angus R.103	Ring, "O," .176" i/d. x .07" dia.	1	—	C.	—
95349	George Angus R.128	Ring, "O," .812" i/d x .103" dia.	1	—	C.	—
95350	George Angus R.114	Ring, "O," .437" i/d x .07" dia.	1	—	C.	—
95351	George Angus R.122	Ring, "O," .674" i/d. x .103" dia.	1	—	C.	—
95344	—	Ring, rod ram, $1\frac{1}{2}$ " dia. x $1\frac{7}{8}$ " o/d. x $\frac{3}{16}$ "	2	—	C.	—
95319	ARM.70327	Rod, piston	1	—	C.	—
95338	ARM.70316	Rod, piston	2	—	C.	—
95240	ARM.70198	Rod, tie	4	—	B.	—
95236	ARM.70196	Screw, jack	1	—	B.	—
95242	ARM.70181	Screw, set	1	—	C.	—
95248	—	Screw, countersunk head, $\frac{5}{16}$ " B.S.F. x $\frac{1}{2}$ " long	16	—	C.	—
95290	ARM.70204	Screw	1	—	C.	—
95312	ARM.70323	Seat, relief valve	1	—	C.	—
95339	—	Seal, "U," $2\frac{3}{4}$ " o/d. x $2\frac{1}{8}$ " i/d. x $\frac{3}{16}$ "	2	—	C.	—
95346	George Angus EXT. D.E.100	Seal, distributor	1	—	C.	—
95355	Dowty PP.45/C	Seal, bonded	1	—	C.	—
95341	—	Set-screw, SKT. head, $\frac{1}{4}$ " B.S.F. x $\frac{5}{16}$ " long	2	—	C.	—
95252	ARM.70157	Sleeve	2	—	C.	—
95286	—	Sleeve, tubing, No. Z.4	18	—	C.	—
95245	ARM.70233	Spring	1	—	C.	—
95316	ARM.70325	Spring	1	—	C.	—
95331	ARM.70300	Spring	1	—	C.	—
95315	ARM.70324	Spindle	1	—	C.	—
95320	ARM.70328	Stem, valve	1	—	C.	—
95313	ARM.38079	Tank	1	—	B.	—
95285	—	Tee, bracketted, $\frac{5}{16}$ " tube	1	—	C.	—
95335	ARM.70317	Tie-rod	8	—	C.	—
95254	ARM.70175	Tube, torsion	4	—	B.	—
95277	—	Tube, copper, $\frac{5}{16}$ " o/d. x $\frac{1}{2}$ " i/d. x 18" long	1	—	C.	—
95278	—	Tube, copper, $\frac{5}{16}$ " o/d. x $\frac{1}{2}$ " i/d. x 22" long	1	—	C.	—
95279	—	Tube, copper, $\frac{5}{16}$ " o/d. x $\frac{1}{2}$ " i/d. x 8" long...	1	—	C.	—
95280	—	Tube, copper, $\frac{5}{16}$ " o/d. x $\frac{1}{2}$ " i/d. x 12" long	2	—	C.	—
95281	—	Tube, copper, $\frac{5}{16}$ " o/d. x $\frac{1}{2}$ " i/d. x 41 $\frac{1}{2}$ " long	1	—	C.	—

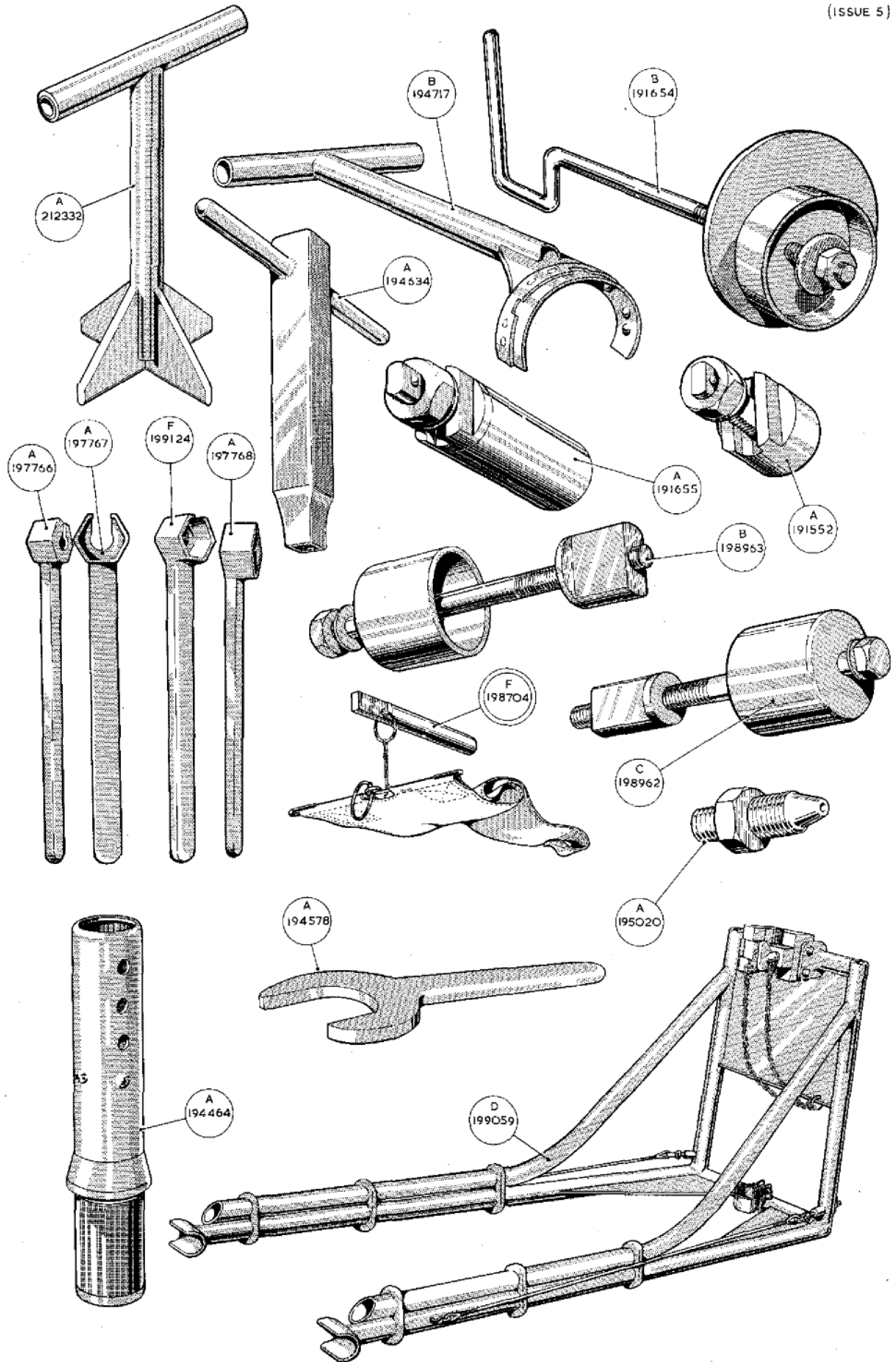
EQUIPMENT—ANCILLARY

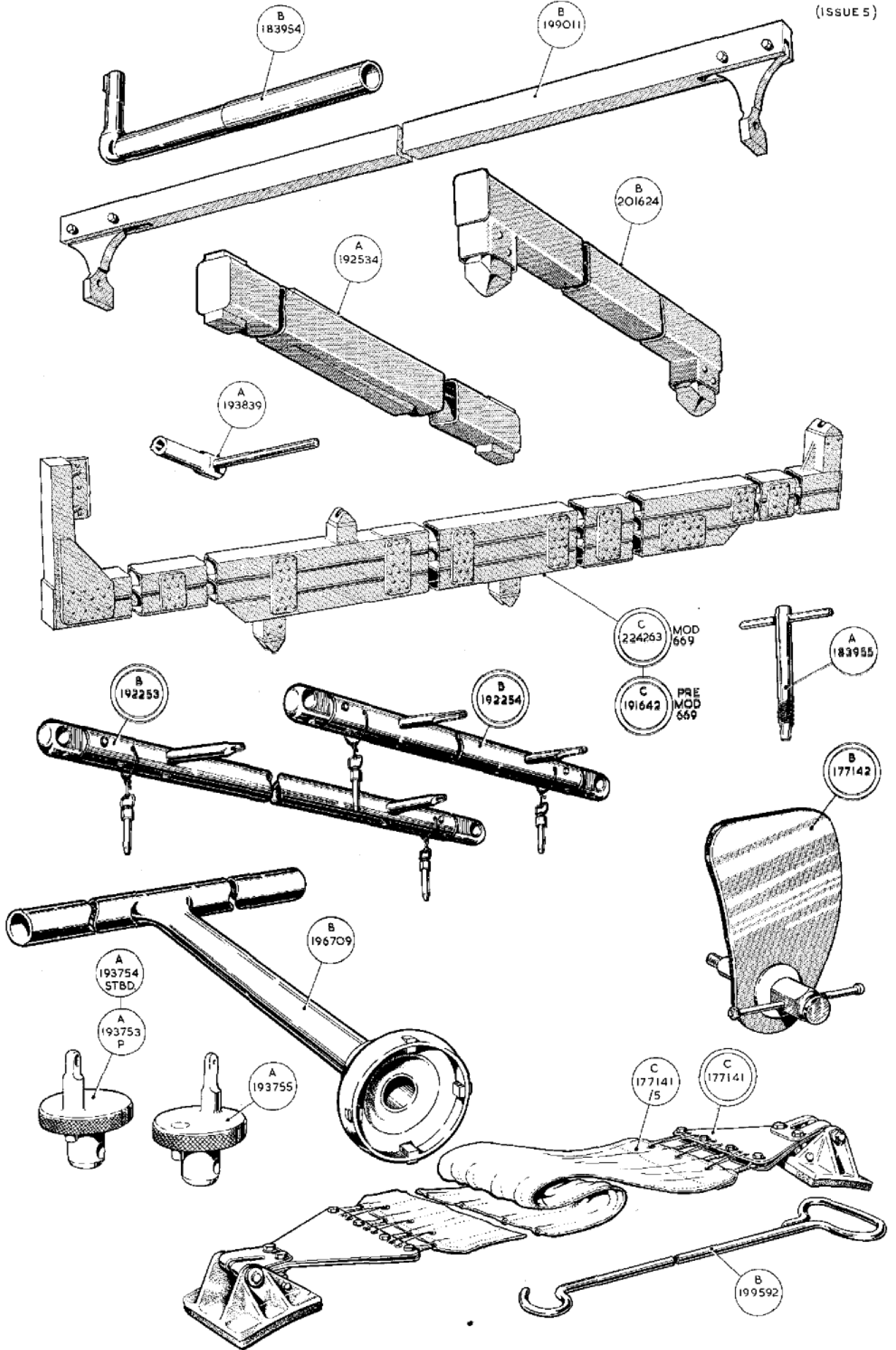
Ref. No.	Part No.	Description					No. Off	Material Specification	M.R. Class of Store	Plate No.
		1	2	3	4	5				
95356	Benton & Stone B.1738/12	Tubing , flexible	2	—	C.
95357	—	Tube , copper, $\frac{5}{16}$ " o/cd × $\frac{1}{4}$ " i/d. × 11" long	1	—	C.
95358	—	Tube , copper, $\frac{3}{16}$ " o/d. × $\frac{1}{4}$ " i/d. × 2" long	1	—	C.
95318	ARM.70310	Valve , poppet	1	—	C.
95325	ARM.70333	Valve , non-return	1	—	C.
95255	ARM.70161	Washer , tab	4	—	C.
95257	ARM.70163	Washer	4	—	C.
95258	ARM.70164	Washer , tab	4	—	C.
95267	ARM.70187	Washer	4	—	C.
95269	ARM.70243	Washer , sealing	4	—	C.
95273	ARM.70304	Yoke , steering	1	—	B.

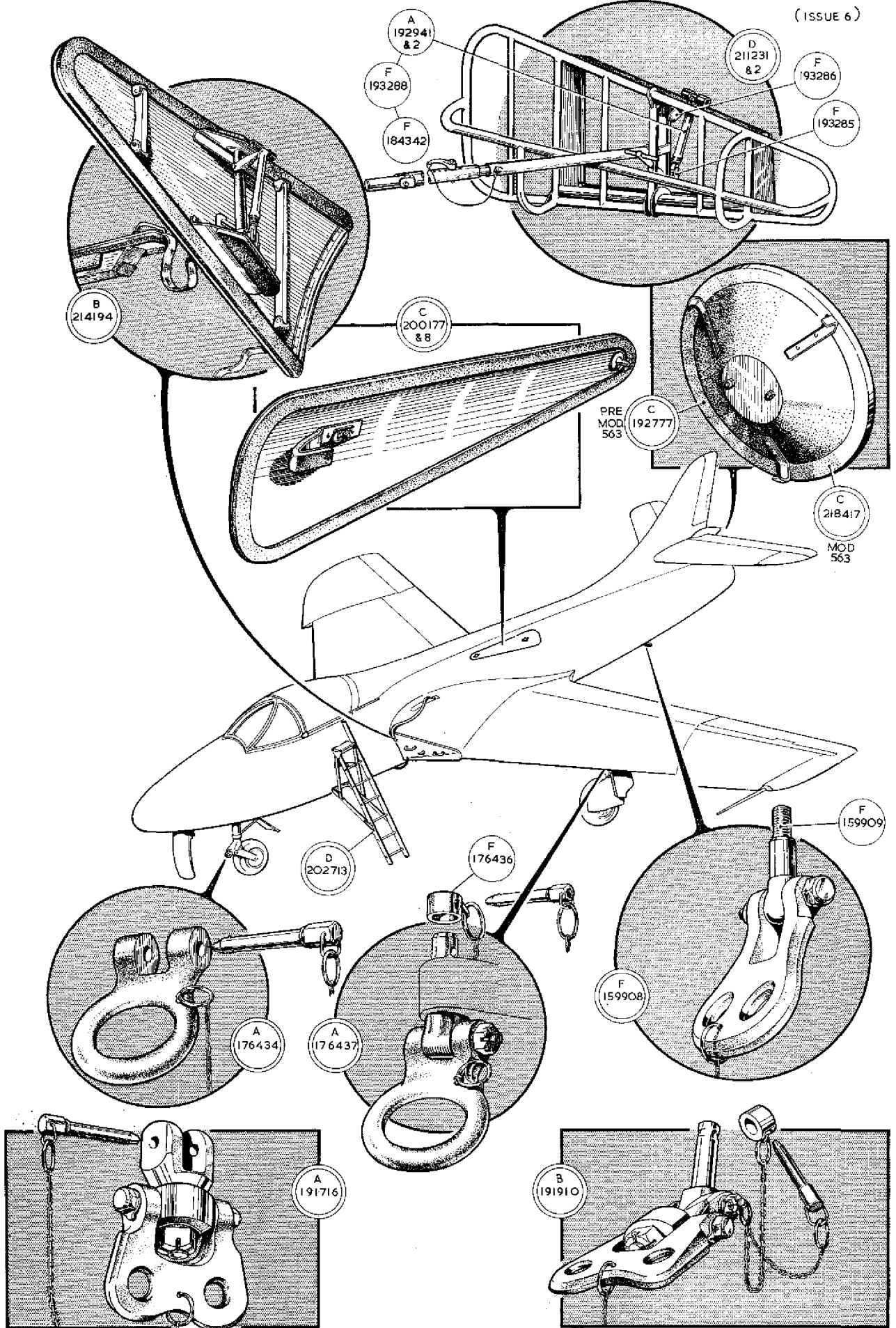


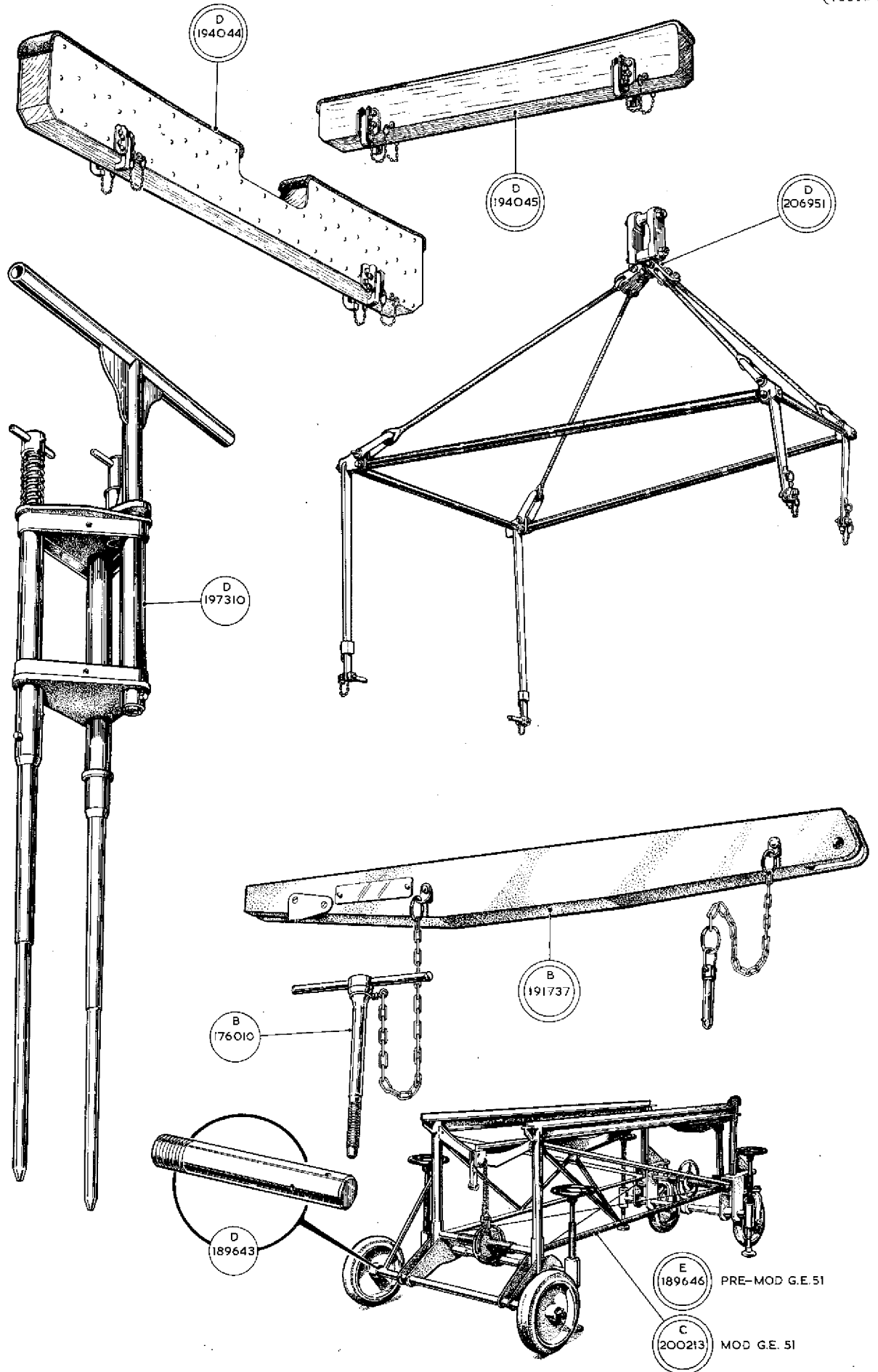
ANCILLARY EQUIPMENT



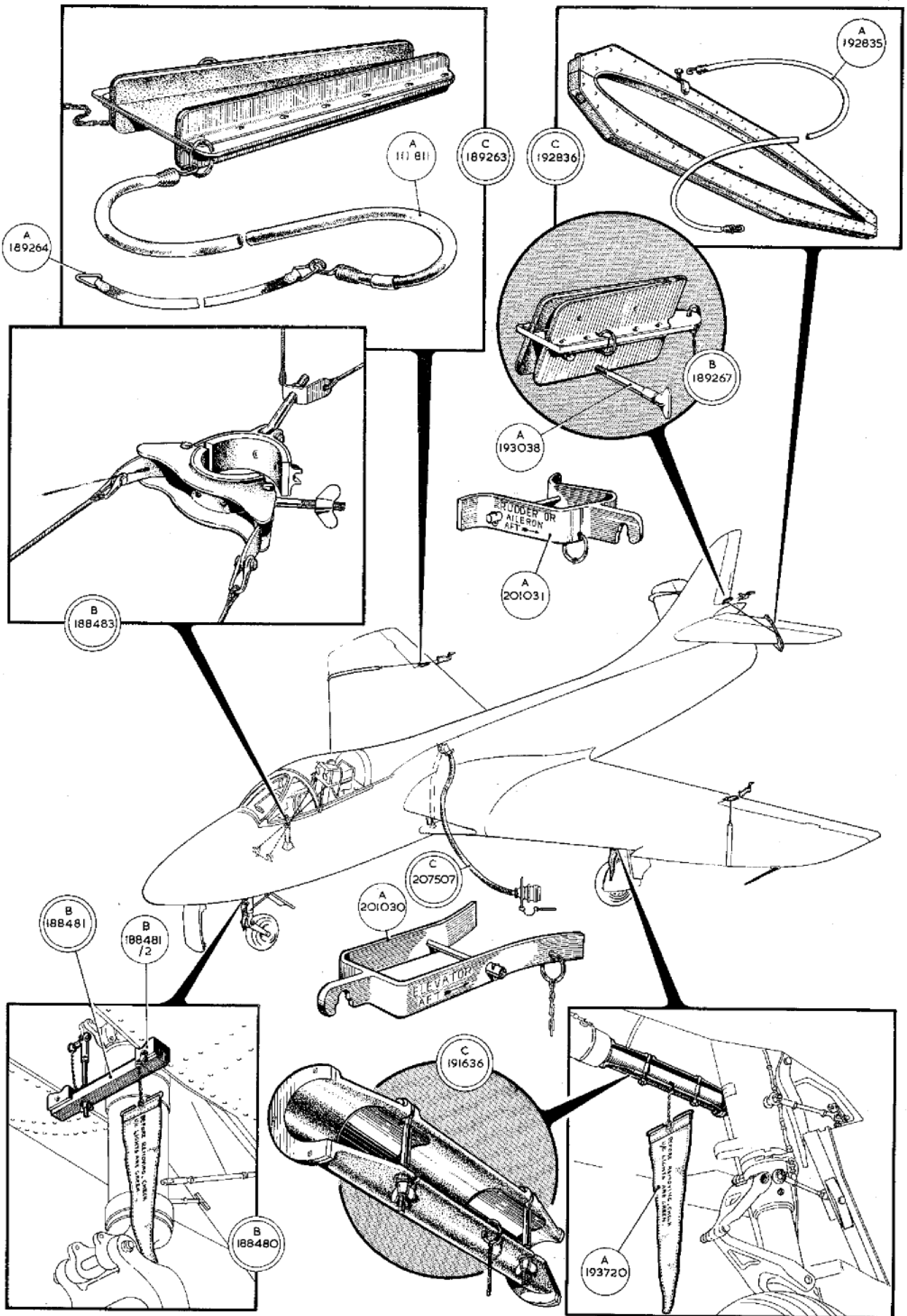




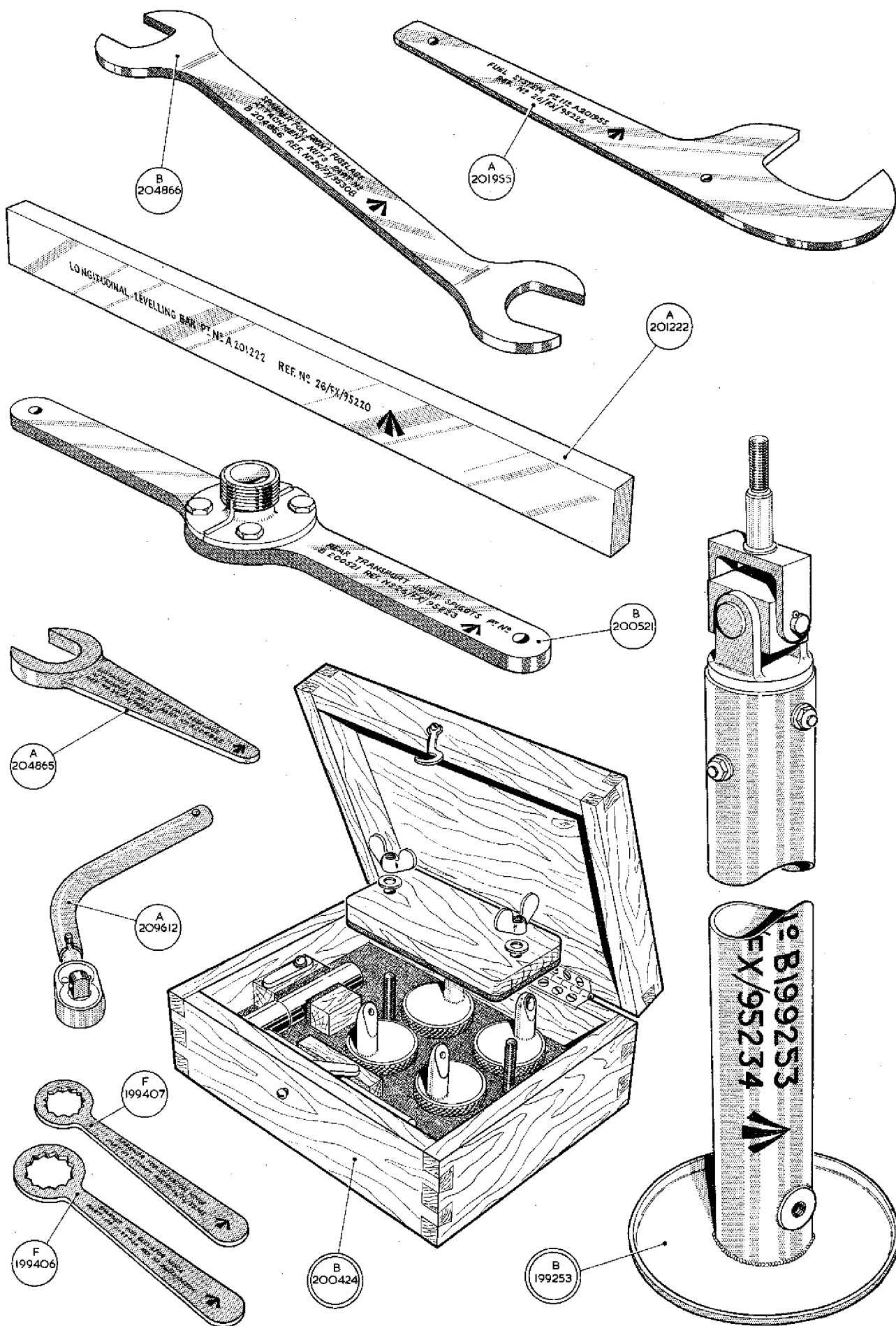




ANCILLARY EQUIPMENT



ANCILLARY EQUIPMENT



This file was downloaded
from the RTFM Library.
Link: www.scottbouch.com/rtfm
Please see site for usage terms,
and more aircraft documents.

