

FUSELAGE—COMPLETE

Ref. No.	Part No.	Description	No. Off					Material Specification	M.R. Class of Store	Plate No.
			1	2	3	4	5			
		FUSELAGE, COMPLETE, ASSEMBLY								
	B.215554	ACCUMULATOR MOUNTING, ASSEMBLY (Mod. 386)								
9054	D.215555	Platform, for accumulator, group (Mod. 386) ...	1				---	B.	JA.1	
9055	F.215573	Nut, special (Mod. 386) ...	3				S.95.B	C.	JA.1	
9056	F.215574	Nut, special (Mod. 386) ...	1				S.95.B	C.	JA.1	
3730	Std.499/10	Plate, locking, for earthing bolt ...	1				L.3	MR/C	JA.1	
9057	A.215571	Rod, screwed (Mod. 386) ...	2				S.95.B	C.	JA.1	
9058	A.215572	Rod, screwed (Mod. 386) ...	2				S.95.B	C.	JA.1	
9059	F.216704	Stud, earth (Mod. 386) ...	1				S.94.B	C.	JA.1	
3800	Std.1509/4/080	Tube, distance, $\frac{3}{8}$ " o/d. x 22 S.W.G. x 8" long ...	1				T.4	MR/C	4	
3777	Std.1335/G/18	Washer, for earthing bolt ...	2				L.4	C.	4	
6140	B.208996	Tube, supporting (port) ...	1				T.4	C.	JA.1	
1241	A.187391	Tube, supporting (starboard) ...	1				T.4	C.	JA.1	
3801	Std.1509/24/068	Tube, distance, $\frac{3}{8}$ " o/d. x 17 S.W.G. x 0.68" long ...	8				T.4	MR/C	4	
	Std.1509/24/064	Tube, distance, $\frac{3}{8}$ " o/d. x 17 S.W.G. x 0.64" long ...	4				T.4			
	C.177080	FUSELAGE JOINTS, ASSEMBLY								
4049	F.196154	Bolt, attaching front fuselage to centre fuselage ...	31				S.96.B	MR/C	JA.1	
	C.190724-5	PANELS, LEADING EDGE, DETACHABLE, ASSEMBLY								
1190†	C.190563	Panel, detachable, top upper, port ...	1				DTD.610	C.	JA.1	
1191†	C.190564	Panel, detachable, top upper, starboard ...	1				DTD.610	C.	JA.1	
1192†	C.184361	Panel, detachable, top lower, port ...	1				DTD.610	C.	JA.1	
1193†	C.184362	Panel, detachable, top lower, starboard ...	1				DTD.610	C.	JA.1	
1194†	C.184363	Panel, detachable, bottom upper, port ...	1				DTD.610	C.	JA.1	
1195†	C.184364	Panel, detachable, bottom upper, starboard ...	1				DTD.610	C.	JA.1	
1196†	C.190413	Panel, detachable, bottom lower, port ...	1				DTD.610	C.	JA.1	
1197†	C.190414	Panel, detachable, bottom lower, starboard ...	1				DTD.610	C.	JA.1	
353	B.187123	Strap, rear transport joint, group ...	1				---	B.	JA.2	
942	F.174429	Eye-bolt ...	1				S.94.B	C.	JA.2	
945	Std.1716.G	Nut ...	1				H.T.S.	C.	JA.2	
943	F.174430	Trunnion ...	1				S.94.B	C.	JA.2	
944	F.174435	Washer ...	1				DTD.364	C.	JA.2	
23	C.177079	Nose, piece, group ...	1				---	A.	JA.1	
923	A.183705	Bracket, mounting ram air pipe ...	1				S.3	C.	JA.1	
9377	C.177032	Cone, camera ...	1				L.59	B.		
3776	Std.1306/J/20	Coupling, flexible (Make from 32C/447) ...	1				DTD.625 Type 3	MR/C	4	
3751	Std.842/12	Clip, supporting, $\frac{7}{16}$ " wide x 22 S.W.G. x 1.2" long	2				S.3 or S.84	MR/C	4	
752	Std.1166/8	Clip, half ...	1				S.3 & T.26	C.	JA.1	
924	Std.1682/12	Clip, at ram air pipe joint ...	2				S.3 & T.26	C.	JA.1	
	C.174088	Frame No. 3A, assembly ...								
925	F.166143	Fork attachment, upper ...	2				S.1	C.	JA.1	
926	F.166291	Fork attachment, lower, port ...	1				S.1	C.	JA.1	
	F.166292	Fork attachment, lower, starboard ...	1				---			
929	F.178677	Seating, for fork attachment ...	4				Rubber	C.	JA.1	
927†	F.166156	Spigot, locating ...	2				S.1 & S.3	C.	JA.1	
2688	F.195021	Spigot, locating ...	2				S.1 & S.3	MR/C	JA.1	
928	F.178678	Spigot, at attachment fork (Pre Mod. 578) ...	4				S.1	C.	JA.1	
	Std.1507/2/028	Tube, distance, $\frac{1}{4}$ " o/d x 22 S.W.G. x 0.28" long (Mod. 587)	4				T.26			

FUSELAGE—COMPLETE

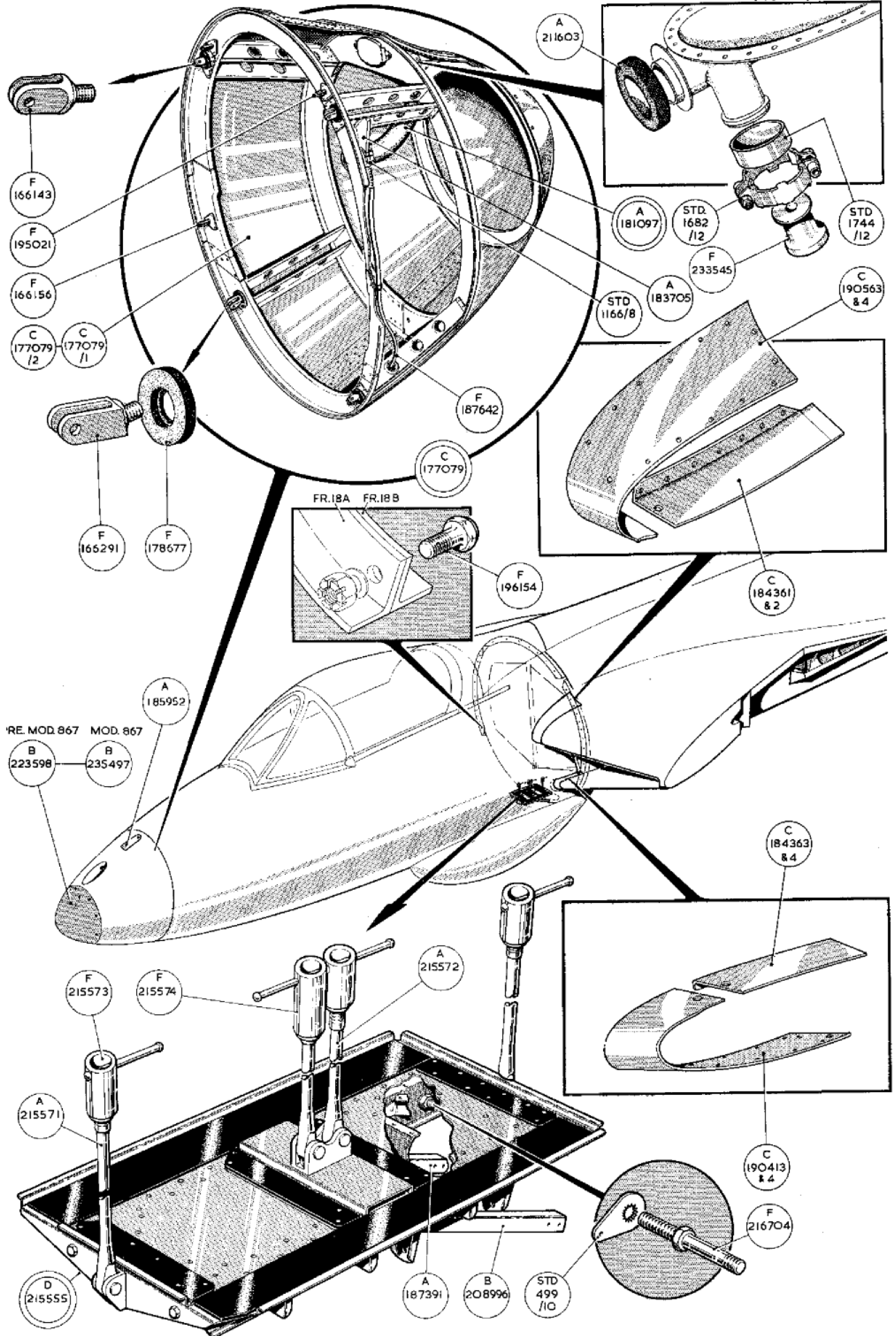
Ref. No.	Part No.	Description					No. Off	Material Specification	M.R. Class of Store	Place No.
		1	2	3	4	5				
4242	Std.1231/7	Lug, locking	2	S.3	C.	4
930	A.129354*	Pad, sealing, camera cone	1	S. Rubber	C.	
7068	A.211603	Pad, sealing, camera cone	1	S. Rubber	C.	JA.1
931	A.185952	Panel, access	1	DTD.610	C.	JA.1
932	A.181097	Pipe, ram air, group	1	L.54	C.	JA.1
933	F.181098	Ring, sealing	1	Felt	C.	
4262†	F.187642	Pipe, drain	1	L.54	MR/C	JA.1
4662	F.200460	Restrictor, at camera cone ram air duct (alternative to F.233545)	1	L.65.C	C.	
9892	F.233545	Restrictor, at camera cone ram air duct (alternative to F.200460) (AS.830/41)	1	Nylon	C.	JA.1
3965	F.197426	Plate, blanking, for camera cone	1	DTD.610	C.	
934	B.172056*	Radome (Pre Mod. 701)	1	"Onazote"	A.	JA.1
9525	B.223598*	Radome (Mod. 701) (Pre Mod 867)	1	—	A.	JA.1
10147	B.235497	Radome (Mod. 867)	1	—	A.	JA.1
1715	Std.1744/12	Sleeve	1	Silicone Rubber	C.	JA.1
1850	C.177079/1	Skin, nose (same as D.229821/1)	1	DTD.610	B.	JA.1
1851	C.177079/2	Skin, nose	1	DTD.610	B.	JA.1
—	Std.1507/23/150	Tube, distance, 7/8" o/d x 17 S.W.G. x 1.5" long (Make from 30A/972)	4	T.26	—	
935	Std.1546/16/18	Washer, packing	2	DTD.610	C.	4
1624	C.192597	Tail cone, group (Pre Mod. 275)	1	—	A.	JA.2
6160	C.207578	Tail cone, group (Mod. 275) (Pre Mod. 550)	1	—	A.	JA.2
8079	C.216040	Tail cone, group (Mod. 550)	1	—	A.	JA.2
	D.192598	Tail cone, forward portion, group	1	—		
8513	F.216608	Extension, drain, at frame 58 (Mod. 543)	1	L.65.C	C.	
937	KAC.C3102	Housing, fastener	4	—	C.	JA.2
936	A.190637	Panel, access	1	DTD.610	C.	JA.2
938	F.190633	Spigot, lower, port	1	DTD.364	C.	JA.2
939	F.190634	Spigot, lower, starboard	1	DTD.364	C.	JA.2
940	F.168707	Spigot, upper	2	DTD.364	C.	JA.2
	Std.1509/23/092	Tube, distance, 7/8" o/d x 17 S.W.G. x 0.92" long	2	T.4		
941	F.168708	Washer	4	Rubber	C.	JA.2

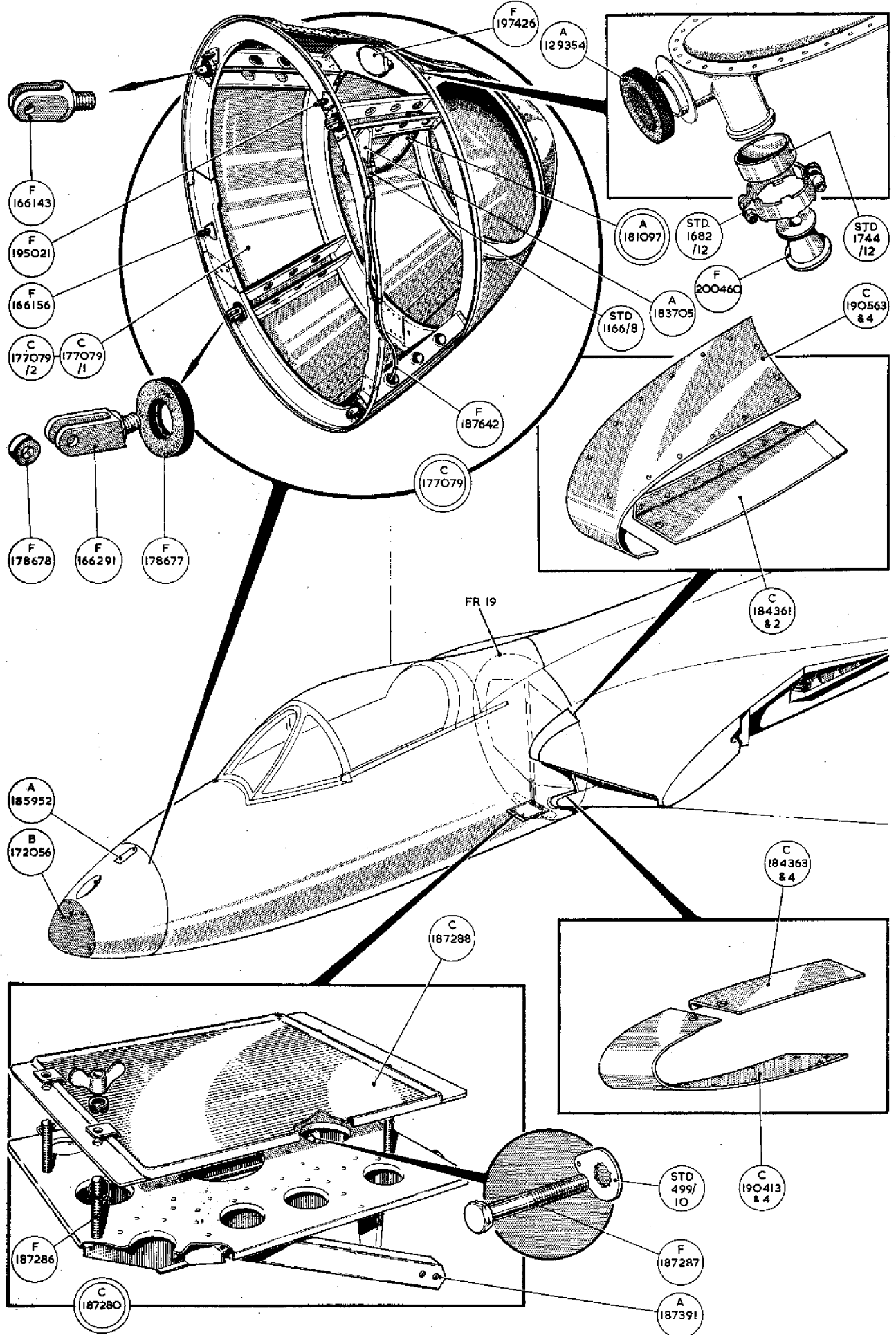
FUSELAGE—COMPLETE

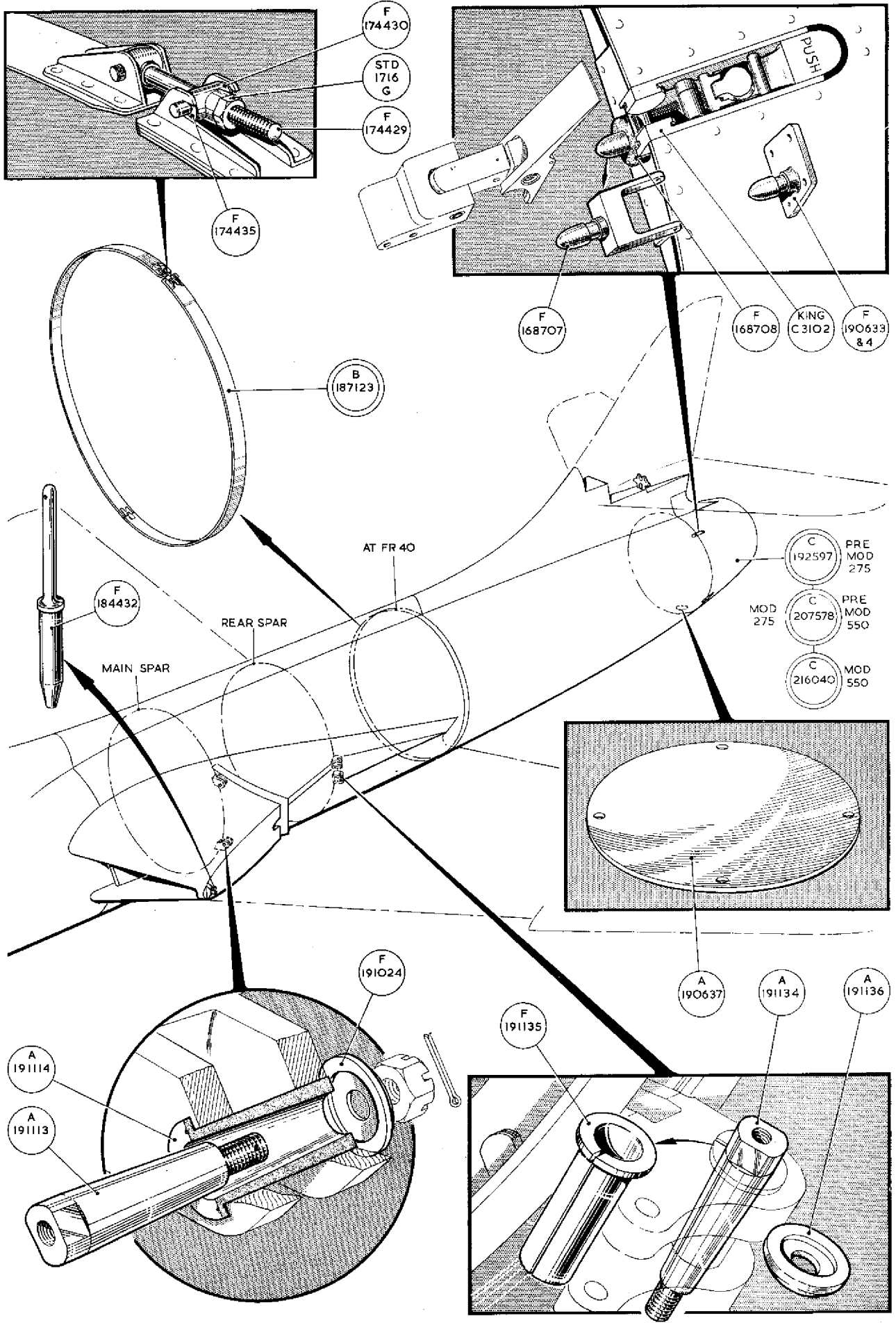
Ref. No.	Part No.	Description	No. Off.	Material Specification	M.R. Class of Store	Plate No.
	C.198779	WING JOINT PIN, ASSEMBLY	-	—		
	B.191115	WING JOINT PINS, MAIN SPAR, ASSEMBLY	-	—		
1053	A.191114	Bush, split taper	4	S.99.B	C.	JA.2
28M/13145	A27/QS	Nut, slotted	4	—	C.	
28P/12465	SP.9/G12	Pin, split	4	—	C.	
1054	A.191113	Pin, taper	4	S.99.B	C.	JA.2
1055	F.191024	Washer, cup	4	S.95.B	C.	JA.2
	B.191116	WING JOINT PINS, REAR SPAR, ASSEMBLY	-	—		
1056	A.191135	Bush, split taper	4	S.99.B	C.	JA.2
28M/13259	A27/NS	Nut, slotted	4	—	C.	
28P/12463	SP.9/E10	Pin, split	4	—	C.	
1057	A.191134	Pin, taper	4	S.99.B	C.	JA.2
1058	F.191136	Washer, cup	4	S.95.B	C.	JA.2
	B.198078	WING JOINT PINS, NOSE SPAR, ASSEMBLY	-	—		
1303	F.184432	Pin	2	S.96.B	C.	JA.2

FUSELAGE—COMPLETE

Ref. No.	Part No.	Description	No. Off					Material Specification	M.R. Class of Store	Plate No.
			1	2	3	4	5			
SUMMARY OF STOCK ITEMS										
28D/12528	A.25.1.B	Bolt, 4 B.A.								
28D/12512	A25.1.C	Bolt, 2 B.A.								
28D/12513	A25.2.C	Bolt, 2 B.A.								
28D/12531	A25.3.C	Bolt, 2 B.A.								
28D/12533	A25.5.C	Bolt, 2 B.A.								
28D/12629	A25.8.C	Bolt, 2 B.A.								
28D/12535	A25.12.C	Bolt, 2 B.A.								
28D/12539	A25.16.C	Bolt, 2 B.A.								
28D/12674	A25.9.E	Bolt, 1/4" B.S.F.								
28D/12569	A25.10.E	Bolt, 1/4" B.S.F.								
28D/12824	A25.4.J	Bolt, 3/8" B.S.F.								
28D/13554	A25.5.J	Bolt, 3/8" B.S.F.								
28D/8306	AS.1242/1C	Bolt, 2 B.A.								
28D/8307	AS.1242/2C	Bolt, 2 B.A.								
28D/8308	AS.1242/3C	Bolt, 2 B.A.								
28M/770	A.16Y.GS	Nut								
28L/778	A.16Y.GT	Nut								
28M/12929	A27.C.P.	Nut, 2 B.A.								
28L/13124	A.27.C.T.	Nut, 2 B.A.								
28M/12930	A27.E.S.	Nut, 2 B.A.								
28M/13375	A27.GP	Nut, 1/8" B.S.F.								
28M/13123	A27.JS	Nut, 1/2" B.S.F.								
28M/10286	AGS.2001/A1	Nut, 6 B.A.								
28M/10288	AGS.2001/C1	Nut, 2 B.A.								
28M/10290	AGS.2001/E1	Nut, 1/4" B.S.F.								
28M/10291	AGS.2001/G1	Nut, 1/8" B.S.F.								
28M/10327	AGS.2002/B1	Nut, 4 B.A.								
28M/10328	AGS.2002/C1	Nut, 2 B.A.								
28M/10331	AGS.2002/G1	Nut								
28M/807	AGS.120.E	Nut, wing, 1/8"								
28P/901	SP.4.F.11	Pin								
28P/867	SP.4Y.D9	Pin								
28P/871	SP.4Y.D13	Pin								
28S/14661	A31.A14	Screw								
28D/13128	AS.3294.2C	Screw, 2 B.A.								
28W/9418920	SP.10.E	Washer, shim								
28W/9418921	SP.13.E	Washer								
28W/9419403	SP.13.G	Washer, 1/8" dia.								
28W/9419475	SP.15.C	Washer, 2 B.A.								
28W/9419405	SP.15.E	Washer, 1/4" dia.								
28W/9419470	SP.15.G	Washer								
28W/9419485	SP.16.A	Washer								
28W/9419404	SP.16.C	Washer								
28W/9419489	SP.16.J	Washer, 1/2" dia.								
28W/3092	AGS.163.F	Washer, spring								







This file was downloaded
from the RTFM Library.

Link: www.scottbouch.com/rtfm

Please see site for usage terms,
and more aircraft documents.

