

FUSELAGE—CENTRE PORTION

| Ref. No. | Part No. | Description | No. Off | Material Specification | M.R. Class of Store | Plate No. |
|----------|----------------------|--|---------|------------------------|---------------------|-----------|
| | | | | | | |
| | E.200959 D.179303 | CENTRE FUSELAGE STRUCTURE ASSEMBLY ... ATTACHMENT OF STRINGERS FROM NOSE SPAR TO FRAME 20, ASSEMBLY | — | — | | |
| 960 | F.184105 | Bolt, special, at stringers "C" and "H" ... | 2 | S.95.B | C. | JB.3 |
| | Std.1551/3/125 | Bolt, special, at stringers "C" and "H" ... | 8 | S.99.B | | |
| 3825 | Std.1551/3/105 | Bolt, special, at stringers "C" and "H" ... | 4 | S.99.B | MR/C | JB.4 |
| | A.178936 | Fitting, attachment, at stringers "C" and "H" ... | 4 | S.99.B | | |
| 963 | F.170740 | Nut, special, at stringers "C" and "H" ... | 4 | S.98.B | C. | JB.3 |
| 7262 | Std.1718/3 | Nut, special ... | 12 | — | MR/C | |
| 962 | A.178929 | Spigot, at stringers "C" and "H" ... | 4 | S.98.B | C. | JB.3 |
| 961 | F.184104 | Tab, locking, at stringers "C" and "H" ... | 4 | S.3 | C. | JB.3 |
| | F.178931 | Tube, distance, at stringers "C" and "H" ... | 2 | DTD.364 | | |
| 7263 | Std.1208/62/24/20 | Washer, shim for Std.1551 bolts ... | QR | Shim Steel | MR/C | |
| | D.179304 | ATTACHMENT OF STRINGERS AT FRAME 21, ASSEMBLY | — | — | | |
| 2418 | F.178919 | Angle, fitting, at stringer "K" ... | 4 | Stamping | MR/C | JB.4 |
| 2419 | F.178920 | Angle, fitting, at stringer "K" ... | 4 | Stamping | MR/C | JB.4 |
| 3832 | Std.1553/E/65 | Bolt, special, at stringer "K" ... | 8 | S.99.B | MR/C | JB.4 |
| 3833 | Std.1553/E/55 | Bolt, special, at stringer "K" ... | 4 | S.99.B | MR/C | JB.4 |
| 2420 | B.182214 | Fitting, for aircraft slinging bolt ... | 2 | Stamping | MR/C | JB.2 |
| | D.179305 | ATTACHMENT OF STRINGERS AT MAIN SPAR, ASSEMBLY | — | — | | |
| 4692 | F.195546 | Angle, attaching hydraulic pipes at stringer "K", port | 1 | DTD.610 | MR/C | |
| 4693 | F.195547 | Angle, attaching hydraulic pipes at stringer "K", starboard | 1 | DTD.610 | MR/C | |
| 2421 | A.179650 | Angle, fitting, at stringer "K" ... | 4 | Stamping | MR/C | JB.4 |
| 2422 | A.178809 | Angle, fitting, at stringer "K" ... | 4 | Stamping | MR/C | JB.4 |
| 4447 | Std.1553/J/390 | Bolt, at stringer "K" ... | 4 | S.99.B | MR/C | JB.4 |
| 2423 | F.179742 | Tube, distance, at stringer "K" ... | 4 | DTD.364 | MR/C | JB.4 |
| 4691 | Std.1547/26/12 | Washer, profile, at stringer "J" ... | 4 | DTD.610 | MR/C | 4 |
| | D.179307 | ATTACHMENT OF STRINGERS AT REAR SPAR, ASSEMBLY | — | — | | |
| 3834 | Std.1553/L/320 | Bolt, at stringer "K" ... | 4 | S.99.B | MR/C | JB.4 |
| 3824 | Std.1551/2/85 | Bolt, at stringer "K" ... | 8 | S.99.B | MR/C | JB.4 |
| 3825 | Std.1551/3/105 | Bolt, at stringer "K" ... | 8 | S.99.B | MR/C | JB.4 |
| 3835 | Std.1553/J/300 | Bolt, at stringer "J" ... | 4 | S.99.B | MR/C | JB.4 |
| 2424 | A.178816 | Fitting, attachment, at stringer "K" ... | 4 | Stamping | MR/C | JB.4 |
| 2425 | A.168436 | Fitting, attachment, at stringer "J" ... | 4 | Stamping | MR/C | JB.4 |
| 2427 | F.178881 | Tube, distance, at stringer "K" ... | 4 | DTD.364 | MR/C | JB.4 |
| 2426 | F.178865 | Tube, distance, at stringer "J" ... | 4 | DTD.364 | MR/C | JB.4 |
| 4691 | Std.1547/26/12 | Washer, profile at stringer "H" ... | 6 | DTD.610 | MR/C | 4 |
| | D.183494 | ATTACHMENT OF STRINGERS, FRAME 33 AND 36, ASSEMBLY | — | — | | |
| 5721 | F.197126 | Stud, earthing, at stringer "K" frame 35 ... | 2 | S.94.B | MR/C | |
| 4619 | Std.1335/E/18 | Washer ... | 2 | L.4 | C. | 4 |
| | D.184380 | BRACKET, FOR AILERON CONTROL, REAR SPAR TO FRAME 33, ASSEMBLY | — | — | | |
| | B.184389 | Bracket, mounting, for air supply valve ... | 1 | — | | |

FUSELAGE—CENTRE PORTION

| Ref. No. | Part No. | Description | No. Off | | | | | Material Specification | M.R. Class of Store | Place No. |
|------------|----------------------------|--|---------|---|---|---|----|------------------------|---------------------|-----------|
| | | | 1 | 2 | 3 | 4 | 5 | | | |
| | D.184139 | BRACKET, FOR FLYING CONTROLS, FRAMES 27 TO 28, ASSEMBLY | | | | | | | | |
| | B.184140 | Bracket, port, group ... | | | | | 1 | DTD.610 | | |
| | B.184141 | Bracket, starboard, group ... | | | | | 1 | DTD.610 | | |
| 2428 | F.184144 | Plate, nut, port ... | | | | | 1 | DTD.610 | MR/C | |
| 2429 | F.184145 | Plate, nut, starboard ... | | | | | 1 | DTD.610 | MR/C | |
| 2430 | F.184005 | Plate, nut ... | | | | | 2 | DTD.610 | MR/C | |
| | D.184002 | BRACKET, FOR FLYING CONTROLS, FRAMES 23 TO 24, ASSEMBLY | | | | | | | | |
| | B.184003 | Bracket, port ... | | | | | 1 | DTD.610 | | |
| | B.184004 | Bracket, starboard ... | | | | | 1 | DTD.610 | | |
| 2430 | F.184005 | Plate, nut ... | | | | | 2 | DTD.610 | MR/C | |
| 2431 | C.176110 | Channel, mounting, for engine, port, group ... | | | | | 1 | — | MR/B | JB.6 |
| 2432 | C.176111 | Channel, mounting, for engine, starboard, group ... | | | | | 1 | — | MR/B | JB.6 |
| 985 | F.176114 | Block ... | | | | | 2 | S.97 | C. | JB.6 |
| 4025 | F.195141 | Clamp, half, for wiring ducts ... | | | | | 4 | LFS.21 | MR/C | |
| | D.184861 | DOORS, AND ACCESS PANELS, ASSEMBLY | | | | | | | | |
| 4633 | F.197909 | Bolt, for access panels ... | | | | | 74 | S.95 | C. | |
| 7835 | Std.1700/4/E | Bolt, attaching fuel system access panel ... | | | | | 12 | — | C. | 5 |
| 3 | D.177203 | Door, access, for gear box, group ... | | | | | 1 | — | A. | JB.1 |
| 966 | A.188142 | Hinge ... | | | | | 1 | DTD.166 | C. | |
| 965 | King Aircraft Corp. C.3099 | Toggle, housing ... | | | | | 2 | — | C. | JB.5 |
| 9358 | D.221695 | Door, access, to engine starter, group (Mod. 588) | | | | | 1 | — | A. | JB.5 |
| 10H/113616 | — | Adaptor, bulkhead ... | | | | | 1 | — | C. | |
| 4844 | F.203030 | Angle, for spring clip ... | | | | | 1 | L.A. | MR/C | JB.5 |
| | F.201721 | Channel ... | | | | | 1 | L.72 | | |
| 3750 | Std.842/10 | Clip, cable ... | | | | | 4 | S.3 | MR/C | 4 |
| 10HB/1205 | E.227265/36 | Connector, aerial ... | | | | | 1 | — | B. | |
| 981 | A.188500 | Hinge ... | | | | | 1 | DTD.166 | C. | JB.5 |
| 5854 | C.202812 | Insulator, aerial ... | | | | | 1 | DTD.797 | C. | JB.5 |
| 9360 | C.222422 | Lid, aerial box, and stowage for engine starter cartridges (Mod. 588), group | | | | | 1 | — | C. | JB.5 |
| 4252 | C.199786/1 | Clip ... | | | | | 2 | DTD.610 | C. | JB.5 |
| 4253 | C.199786/2 | Clip ... | | | | | 4 | DTD.610 | C. | JB.5 |
| 4599 | A.201719 | Stay, support ... | | | | | 1 | L.72 | C. | JB.5 |
| 5853 | F.202811 | Strap, aerial ... | | | | | 1 | DTD.797 | C. | JB.5 |
| 980 | A.188515 | Strip, aerial ... | | | | | 1 | L.16 | C. | |
| 965 | K.A.C. C.3099 | Toggle, housing ... | | | | | 2 | — | C. | JB.5 |
| 28FP/594 | Oddie No. 219 | Washer ... | | | | | 2 | — | C. | |

FUSELAGE—CENTRE PORTION

| Ref. No. | Part No. | Description | | | | | No. Off | Material Specification | M.R. Class of Store | Place No. |
|-------------|----------------------|-------------|---|---|---|--|---------|------------------------|---------------------|-----------|
| | | 1 | 2 | 3 | 4 | 5 | | | | |
| 972 or 4646 | C.188255 or C.202013 | | | | | Duct, access, to engine bleed valve, port ... (Pre Mod. 391) | 1 | L.16 | B. | JB.1 |
| 973 or 4647 | C.188256 or C.202014 | | | | | Duct, access, to engine bleed valve, starboard ... (Pre Mod. 391) | 1 | L.16 | B. | JB.1 |
| 6743 | C.208737 or C.208939 | | | | | Duct, engine bleed valve, port, group (Mod. 391) | 1 | — | B. | JB.1 |
| 6744 | C.208738 or C.208940 | | | | | Duct, engine bleed valve, starboard, group (Mod. 391) | 1 | — | B. | JB.1 |
| 5206 | C.206629 | | | | | Panel, access to cold air unit, port (Pre Mod. 541) | 1 | — | B. | JB.1 |
| 8382 | D.213252 | | | | | Panel, access to cold air unit and outlet duct, group (Mod. 541) | 1 | — | B. | JB.1 |
| 8383 | B.213163 | | | | | Duct, outlet | 1 | T.6 | C. | |
| 1874 | C.194852 | | | | | Panel, access to cold air unit, starboard (Pre Mod. 541) | 1 | — | B. | |
| 8380 | C.213241 | | | | | Panel, access to cold air unit and outlet duct, group (Mod. 541) | 1 | — | B. | |
| 8381 | B.213200 | | | | | Duct, outlet | 1 | T.6 | C. | |
| 4241 | A.199308 | | | | | Panel, access to engine oil filter | 1 | — | C. | JB.5 |
| 1 | C.177201 | | | | | Panel, access, for fuel pump | 1 | DTD.610 | B. | JB.1 |
| 63 | C.179791 | | | | | Panel, access, for fuel system, group | 1 | DTD.610 | B. | JB.1 |
| 4448 | F.199061 | | | | | Cover, for pitot drain valve | 2 | — | MR/C | JB.1 |
| 964 | C.179793 | | | | | Panel, access, for services | 1 | DTD.610 | B. | JB.1 |
| 967 | B.179781 | | | | | Panel, access to front engine mounting, port ... | 1 | DTD.610 | C. | JB.1 |
| 968 | B.179782 | | | | | Panel, access to front engine mounting, starboard | 1 | DTD.610 | C. | JB.1 |
| 969 | B.179779 | | | | | Panel, access to fuel vent connections | 2 | DTD.610 | C. | JB.1 |
| 970 | B.179777 | | | | | Panel, access to fuel level switches | 2 | DTD.610 | C. | JB.1 |
| 974 | B.186939 | | | | | Panel, access to igniter plug, port | 1 | DTD.610 | C. | JB.1 |
| 975 | B.186940 | | | | | Panel, access to igniter plug, starboard | 1 | DTD.610 | C. | JB.1 |
| 976 | A.186941 | | | | | Panel, access to hydraulic filter, port only ... | 1 | DTD.610 | C. | JB.1 |
| 977 | F.187455 | | | | | Panel, access to suction relief valve | 2 | DTD.546 | C. | JB.1 |
| 9356 | E.221696 | | | | | Panel, access to engine, group (Mod. 588) ... | 1 | — | A. | JB.5 |
| 10H/113616 | — | | | | | Adaptor, bulkhead (Mod. 588) | 1 | — | C. | |
| | F.219432 | | | | | Clamp, cable, group (Mod. 588) | 1 | — | | |
| | F.219447 | | | | | Block, clamp | 2 | LFS.21 | | |
| | F.219433 | | | | | Stud, anchor | 1 | — | | |
| 28E/10031 | Terry 80 x /2 | | | | | Clip, for handle stowage | 2 | — | C. | |
| 5720 | Std.842/11 | | | | | Clip, cable | 3 | S.3 | MR/C | 4 |
| 10HB/1096 | E.227265/37 | | | | | Connector, aerial (Mod. 588) | 1 | — | B. | |
| 984 | B.188540 | | | | | Hook, securing panel to fuselage | 2 | Stamping | C. | JB.5 |
| 9362 | B.222506 | | | | | Lid, for aerial box (Mod. 588) | 1 | DTD.610 | C. | JB.5 |
| 4737 | F.197737 | | | | | Plate, retaining "Terry" clips | 2 | DTD.610 | C. | JB.5 |
| | F.210552 | | | | | Seal (Mod. 250) | 1 | Neoprene | | |
| 5853 | F.202811 | | | | | Strap, aerial | 1 | DTD.797 | C. | |
| 980 | A.188515 | | | | | Strip, aerial | 1 | L.16 | C. | JB.5 |
| 965 | K.A.C. C.3099 | | | | | Toggle, housing | 2 | — | C. | JB.5 |
| 4026 | Std.1507/23/080 | | | | | Tube, distance, $\frac{3}{8}$ " o/d x 17 S.W.G. x .8" long (Make from 30A/975) | 4 | T.26 | MR/C | 4 |
| 4027 | Std.1507/23/060 | | | | | Tube, distance, $\frac{3}{8}$ " o/d x 17 S.W.G. x .6" long (Make from 30A/975) | 2 | T.26 | MR/C | 4 |
| 5269 | Fairey FS.553 | | | | | Ring, retaining screws | 40 | — | C. | |
| | D.184913 | | | | | SPINE, SUB-ASSEMBLY | — | — | | |
| 2434 | C.184973 | | | | | Landing, forward, port | 1 | DTD.610 | MR/C | JB.2 |
| 2435 | C.184974 | | | | | Landing, forward, starboard | 1 | DTD.610 | MR/C | JB.2 |
| 2436 | C.184975 | | | | | Landing, centre, port (Pre Mod. 629) | 1 | DTD.610 | MR/C | |
| | C.225950 | | | | | Landing, centre, port (Mod. 629) | 1 | — | | JB.2 |
| 2437 | C.184976 | | | | | Landing, centre, starboard | 1 | DTD.610 | MR/C | JB.2 |
| 2438 | B.184977 | | | | | Landing, rear, port group | 1 | DTD.610 | MR/C | JB.2 |
| 2439 | B.184978 | | | | | Landing, rear, starboard group | 1 | DTD.610 | MR/C | JB.2 |
| 28FP/341 | Dzus S5.325 | | | | | Spring | 3 | — | C. | JB.2 |

RESTRICTED

FUSELAGE—CENTRE PORTION

| Ref. No. | Part No. | Description | | | | | No. Off | Material Specification | M.R. Class of Score | Plate No. |
|----------|-----------------|-------------|---|---|---|--|---------|------------------------|---------------------|-----------|
| | | 1 | 2 | 3 | 4 | 5 | | | | |
| 1754 | B.193293 | | | | | Panel, access, for flying controls ... | 1 | DTD.610 | C. | JB.1 |
| 5269 | Fairey FS.553 | | | | | Ring, retaining screw ... | 2 | — | C. | |
| 11 | D.177331 | | | | | Spine, forward portion (Pre Mod. 346) ... | 1 | DTD.610 | B. | |
| 6195 | D.211692 | | | | | Spine, forward portion (Mod. 346) Pre Mod. 629) | 1 | — | B. | |
| | D.226452 | | | | | Spine, forward position (Mod. 629) ... | 1 | — | | JB.1 |
| 12 | C.177332 | | | | | Spine, 1st intermediate (Pre Mod. 346) ... | 1 | DTD.610 | B. | |
| 6196 | C.211693 | | | | | Spine, 1st intermediate (Mod. 346) ... | 1 | L.72 | B. | JB.1 |
| 13 | C.177333 | | | | | Spine, 2nd intermediate (Pre Mod. 346) ... | 1 | DTD.610 | B. | |
| 6197 | C.211694 | | | | | Spine, 2nd intermediate (Mod. 346) ... | 1 | L.72 | B. | JB.1 |
| 7845 | C.213452 | | | | | Spine, 3rd intermediate portion, group (0.10" trimming allowance) (Mod. 256) | 1 | DTD.610 | B. | JB.1 |
| 28FP/617 | Dzus E.F.5.45.B | | | | | Fastener ... | 12 | — | C. | |
| | C.188170 | | | | | DUCTS, FOR ENGINE CONTROLS, ASSEMBLY ... | — | — | | |
| 3741 | Std.840/20 | | | | | Clip, securing, $\frac{7}{8}$ " wide strip x .22 S.W.G. x 2" long | 21 | DTD.610 | C. | 4 |
| 2440 | C.188170/1 | | | | | Duct, forward, $\frac{1}{2}$ " o/d x 22 S.W.G. x 31.8" long | 3 | T.4 | MR/C | JB.3 |
| 2441 | C.188170/2 | | | | | Duct, centre, $\frac{1}{2}$ " o/d x 22 S.W.G. x 6" long | 3 | T.4 | MR/C | |
| 2442 | C.188170/3 | | | | | Duct, aft, $\frac{1}{2}$ " o/d x 22 S.W.G. x 12" long | 3 | T.4 | MR/C | |
| | D.203139 | | | | | DUCTS, SERVICE, BETWEEN FRAMES 37-40, ASSEMBLY | — | — | | |
| 1755 | B.191117 | | | | | Duct, for electric cables, port | 1 | T.26 | C. | JB.4 |
| 1756 | B.191118 | | | | | Duct, for electric cables, starboard | 1 | T.26 | C. | JB.4 |
| 1757 | A.191119 | | | | | Duct, for electric cables | 4 | T.26 | C. | JB.4 |
| 1758 | B.191592 | | | | | Duct, for electric cables, port | 1 | T.26 | C. | JB.4 |
| 1759 | B.191593 | | | | | Duct, for electric cables, starboard | 1 | T.26 | C. | JB.4 |
| | B.195155/6 | | | | | DUCT, FOR FUEL LEVEL SWITCH CABLE, ASSEMBLY | — | — | | |
| | F.195157 | | | | | Duct | 2 | T.9 | | |
| 4028 | B.195153 | | | | | Duct, for rear fuel tank gauge wiring, port, group ... (F.194034 Socket to be supplied loose) | 1 | L.54 | MR/C | JB.3 |
| 4029 | B.195154 | | | | | Duct, for rear fuel tank gauge wiring, starboard, group (F.194035 Socket to be supplied loose) | 1 | L.54 | MR/C | JB.3 |
| | C.204438 | | | | | FIRE PROTECTION AT FRAME 37, ASSEMBLY (Mod. 118) | — | — | | |
| 8238 | F.204565 | | | | | Plate, blanking | 1 | L.72 | MR/C | |
| | D.202335 | | | | | Plate, centre | 1 | DTD.171 | | |
| | D.202336 | | | | | Plate, patch, upper, port | 1 | S.3 | | |
| | D.202337 | | | | | Plate, patch, upper, starboard | 1 | S.3 | | |
| | D.202338 | | | | | Plate, patch, lower port | 1 | S.3 | | |
| | D.202339 | | | | | Plate, patch, lower, starboard | 1 | S.3 | | |
| | D.202340 | | | | | Plate, side, port | 1 | DTD.171 | | |
| | D.202341 | | | | | Plate, side, starboard | 1 | DTD.171 | | |
| 4460 | F.189597 | | | | | Sealing, at stringer "A" | 1 | Plastic | MR/C | |
| 4461 | F.189598 | | | | | Sealing, at stringer "B" | 1 | Plastic | MR/C | |
| 4459 | F.199789 | | | | | Sealing, at stringer "H", starboard | 2 | Plastic | MR/C | |
| 7100 | Std.915/B10 | | | | | Washer, packing | 9 | DTD.364 | MR/C | 4 |
| 5785 | Std.915/C16 | | | | | Washer, packing | 2 | DTD.364 | C. | 4 |
| 3764 | Std.915/C10 | | | | | Washer, packing | 2 | DTD.364 | C. | 4 |

RESTRICTED

FUSELAGE—CENTRE PORTION

| Ref. No. | Part No. | Description | No. Off | Material Specification | M.R. Class of Store | Plate No. |
|----------|----------|--|---------|------------------------|---------------------|-----------|
| | | | | | | |
| | D.176274 | Frame 18B, top portion | 1 | DTD.364 | | |
| 2443 | D.176275 | Frame 18B, lower portion, port | 1 | DTD.364 | MR/B | JB.3 |
| 2444 | D.176276 | Frame 18B, lower portion, starboard | 1 | DTD.364 | MR/B | JB.3 |
| | E.179358 | Frame 19, nose spar, group | 1 | — | | |
| 2446 | A.181165 | Angle, support, at bottom diaphragm, port | 1 | DTD.610 | MR/C | JB.7 |
| 2445 | A.181166 | Angle, support, at bottom diaphragm, starboard | 1 | DTD.610 | MR/C | JB.7 |
| 7289 | A.202682 | Angle, support for junction box, group | 1 | — | MR/C | JB.7 |
| | A.181153 | Angle, bottom, for skin attachment, port | 1 | DTD.610 | | |
| | A.181154 | Angle, bottom, for skin attachment, starboard | 1 | DTD.610 | | |
| 4694 | A.195545 | Angle, support, at bottom diaphragm | 1 | DTD.610 | MR/C | JB.7 |
| | B.181157 | Angle, front, at bottom boom attachment, port | 1 | DTD.610 | | |
| | B.181158 | Angle, front, at bottom boom attachment, starboard | 1 | DTD.610 | | |
| 2447 | C.181163 | Angle, lower, for tank skin attachment, port | 1 | DTD.610 | MR/C | JB.7 |
| 2448 | C.181164 | Angle, lower, for tank skin attachment, starboard | 1 | DTD.610 | MR/C | JB.7 |
| 2449 | F.182169 | Angle, for stringer attachment, port | 3 | DTD.610 | MR/C | JB.7 |
| 2450 | F.182170 | Angle, for stringer attachment, starboard | 3 | DTD.610 | MR/C | JB.7 |
| 4695 | F.197436 | Angle, bracket, securing gun heating pipe | 1 | DTD.610 | MR/C | JB.7 |
| 2451 | F.182166 | Bolt, at bottom boom joint | 10 | S.2 | MR/C | JB.3 |
| 2452 | F.187392 | Bracket, at bottom diaphragm | 1 | DTD.610 | MR/C | JB.3 |
| 2453 | F.187393 | Bracket, at bottom diaphragm | 1 | DTD.610 | MR/C | JB.3 |
| 2454 | F.187395 | Bracket, at bottom stiffener | 1 | DTD.610 | MR/C | JB.3 |
| 2455 | F.187397 | Bracket, at bottom diaphragm | 1 | DTD.610 | MR/C | JB.3 |
| 2456 | F.187396 | Channel, at bottom stiffener | 1 | DTD.610 | MR/C | JB.7 |
| 2457 | A.181119 | Channel, at bottom diaphragm | 1 | DTD.610 | MR/C | JB.7 |
| 2459 | A.181145 | Channel, reinforcing, bottom, port | 1 | DTD.610 | MR/C | JB.7 |
| 2460 | A.181146 | Channel, reinforcing, bottom, starboard | 1 | DTD.610 | MR/C | JB.7 |
| 2461 | B.181112 | Channel, cross, at bottom diaphragm | 1 | DTD.610 | MR/C | JB.7 |
| 2462 | A.181120 | Channel, at bottom diaphragm | 1 | DTD.610 | MR/C | JB.7 |
| 2463 | B.181115 | Channel, lower, inner, port | 1 | DTD.610 | MR/C | JB.7 |
| 2464 | B.181116 | Channel, lower, inner, starboard | 1 | DTD.610 | MR/C | JB.7 |
| 2458 | A.181121 | Channel, lower, outer | 2 | DTD.610 | MR/C | JB.7 |
| 8230 | D.216907 | Diaphragm, bottom, front (Mod. 229) | 1 | DTD.610 | MR/C | JB.7 |
| 2467 | D.181102 | Diaphragm, bottom, rear | 1 | DTD.610 | MR/C | JB.7 |
| | A.224939 | Extractor, air (Mod. 682) | 1 | — | | |
| | B.181141 | Finisher, bottom, at tank door landing, port | 1 | DTD.364 | | |
| | B.181142 | Finisher, bottom, at tank door landing, starboard | 1 | DTD.364 | | |
| 2468 | B.181167 | Landing, for fuel pump access door | 1 | DTD.610 | MR/C | JB.7 |
| | B.181133 | Landing, bottom, for tank door | 2 | DTD.364 | | |
| | C.181123 | Plate, reinforcing, front, at lower boom joint, port | 7 | DTD.166 | | |
| | C.181124 | Plate, reinforcing, front, at lower boom joint, starboard | 1 | DTD.166 | | |
| | C.181125 | Plate, reinforcing, rear, at lower boom joint, port | 1 | DTD.166 | | |
| | C.181126 | Plate, reinforcing, rear, at lower boom joint, starboard | 1 | DTD.166 | | |
| 2469 | B.181106 | Stiffener, bottom | 1 | DTD.610 | MR/C | JB.7 |
| | C.181198 | Spigot, fitting, port | 1 | Stamping | | |
| | C.181199 | Spigot, fitting, starboard | 1 | Stamping | | |
| 2470 | F.178982 | Stud, for fairlead | 4 | S.1 & S.3 | MR/C | JB.7 |
| 2471 | A.182167 | Strip, fairing, at bottom boom attachment, port | 1 | DTD.364 | MR/C | JB.7 |
| 2472 | A.182168 | Strip, fairing, at bottom boom attachment, starboard | 1 | DTD.364 | MR/C | JB.7 |

FUSELAGE—CENTRE PORTION

| Ref. No. | Part No. | Description | No. Off. | Material Specification | M.R. Class of Store | Place No. |
|----------|-----------------|--|----------|------------------------|---------------------|-----------|
| | | | | | | |
| 2473 | B.181160 | Strap, at bottom diaphragm ... | 1 | DTD.610 | MR/C | JB.7 |
| — | Std.1509/24/098 | Tube, distance, $\frac{3}{8}$ " x 17 S.W.G. x .98" long (Make up from 30B/557) | 2 | T.4 | — | |
| — | Std.1509/24/104 | Tube, distance, $\frac{3}{8}$ " x 17 S.W.G. x 1.04" long (Make up from 20B/557) | 1 | T.4 | — | |
| | Std.1549/28/10 | Washer, packing | 2 | DTD.610 | — | |
| | D.178147 | Frame 20, group | 1 | — | — | |
| | A.177464 | Angle, port | 2 | DTD.364 | — | |
| | A.177465 | Angle, starboard | 2 | DTD.364 | — | |
| 2474 | F.177466 | Block, distance | 2 | L.F.S. | MR/C | JB.7 |
| 2475 | D.178147/4 | Bottom, portion | 1 | DTD.610 | MR/C | JB.7 |
| 2476 | D.178147/5 | Bottom, portion | 1 | DTD.610 | MR/C | JB.7 |
| 2477 | D.178147/6 | Channel | 2 | DTD.610 | MR/C | JB.7 |
| 2478 | D.178147/7 | Plate, doubling | 2 | DTD.610 | MR/C | JB.7 |
| 8216 | D.215747 | Frame 21, group | 1 | — | MR/B | JB.7 |
| | D.215747/4 | Angle, port (use 26FX/2479) | 1 | DTD.610 | — | JB.7 |
| | D.215747/5 | Angle, starboard (use 26FX/2480) | 1 | DTD.610 | — | JB.7 |
| | D.215747/7 | Angle, bottom (use 26FX/2481) | 1 | DTD.610 | — | JB.7 |
| | D.215747/8 | Angle, (use 26FX/2482) | 2 | DTD.610 | — | JB.7 |
| | D.215747/2 | Diaphragm, bottom, port (use 26FX/2484) | 1 | DTD.610 | — | JB.7 |
| | D.215747/3 | Diaphragm, bottom, starboard (use 26FX/2485) | 1 | DTD.610 | — | JB.7 |
| 4696 | C.186837 | Plate, reinforcing | 1 | DTD.610 | MR/C | JB.7 |
| 2486 | B.178914 | Stiffener, port | 1 | DTD.610 | MR/C | JB.7 |
| 2487 | B.178915 | Stiffener, starboard | 1 | DTD.610 | MR/C | JB.7 |
| | E.177458 | Frame 22, group | 1 | — | — | |
| 4699 | F.195550 | Angle, for attaching hydraulic pipes | 1 | DTD.610 | MR/C | JB.7 |
| 4695 | F.197436 | Bracket, for attaching gun heating pipes | 1 | DTD.610 | MR/C | JB.7 |
| 4901 | B.177902 | Channel | 2 | DTD.610 | MR/C | JB.7 |
| | F.206125 | Channel (Mod. 138) | 1 | L.72 | — | |
| 8219 | E.177458/9 | Diaphragm, bottom portion | 1 | DTD.610 | MR/C | JB.7 |
| | F.206122 | Packing (Mod. 138) | 1 | L.72 | — | |
| | B.206108 | Piece, bridge, aft (Mod. 138) | 1 | DTD.166 | — | |
| | B.209407 | Piece, bridge, forward (Mod. 138) | 1 | — | — | |
| 2489 | A.178505 | Piece, distance | 2 | L.F.S. | MR/C | JB.7 |
| 8223 | C.215748 | Plate, reinforcing (Mod. 138) | 1 | DTD.610 | MR/C | JB.7 |
| | E.177459 | Frame 23, group | 1 | — | — | |
| 4700 | F.195241 | Angle, for attaching hydraulic pipes | 1 | DTD.610 | MR/C | JB.7 |
| | F.206123 | Bracket | 1 | L.65.C | — | |
| 2491 | B.177903 | Channel | 2 | DTD.610 | MR/C | JB.7 |
| 8220 | E.177459/9 | Diaphragm, bottom portion | 1 | DTD.610 | MR/C | JB.7 |
| 2493 | A.178546 | Piece, distance | 2 | L.F.S. | MR/C | JB.7 |
| 8222 | C.215749 | Plate, reinforcing | 1 | DTD.610 | MR/C | JB.7 |
| | E.177460 | Frame 24, group | 1 | — | — | |
| 2495 | E.177460/4 | Diaphragm, bottom portion, port | 1 | DTD.610 | MR/C | JB.7 |
| 2496 | E.177460/5 | Diaphragm, bottom portion, starboard | 1 | DTD.610 | MR/C | JB.7 |
| | D.177175 | Frame 25, main spar, group | 1 | — | — | |
| 2497 | D.177970 | Angle, for tank support skin, port | 1 | DTD.610 | MR/C | JB.8 |
| 2498 | D.177971 | Angle, for tank support skin, starboard | 1 | DTD.610 | MR/C | JB.8 |
| | D.177968 | Angle, for tank support skin, port | 1 | DTD.610 | — | |
| | D.177969 | Angle, for tank support skin, starboard | 1 | DTD.610 | — | |

FUSELAGE—CENTRE PORTION

| Ref. No. | Part No. | Description | | | | | No. Off | Material Specification | M.R. Class of Store | Plate No. |
|-----------|--------------------|-------------|---|---|---|---|---------|------------------------|---------------------|-----------|
| | | 1 | 2 | 3 | 4 | 5 | | | | |
| 2499 | D.177961 | | | | | Angle, bottom, for tank support skin | 1 | DTD.610 | MR/C | JB.8 |
| 2500 | D.177959 | | | | | Angle, centre, for tank support skin, port | 1 | DTD.610 | MR/C | JB.8 |
| 5722 | B.177827 | | | | | Angle, at bottom portion of frame | 1 | DTD.610 | MR/C | |
| 2501 | D.177960 | | | | | Angle, centre, for tank support skin, starboard | 1 | DTD.610 | MR/C | JB.8 |
| 4703 | F.195554 | | | | | Angle, at bottom portion of frame | 1 | DTD.610 | MR/C | |
| 2502 | D.177182 | | | | | Boom, bottom, front | 1 | DTD.364 | MR/C | JB.8 |
| 2503 | D.177188 | | | | | Boom, bottom, rear | 1 | DTD.364 | MR/C | |
| 3826 | Std.1551/8/315 | | | | | Bolt, fork fitting | 4 | S.99.B | MR/C | 5 |
| 7300 | Std.1551/8/310 | | | | | Bolt, fork fitting | 8 | S.99.B | MR/C | |
| 1762 | F.190266 | | | | | Bolt, special, for fire extinguisher mounting | 2 | S.95, S.96 | C. | JB.8 |
| 3842 | Std.1639/7.N | | | | | Bolt, for fork fitting | 8 | S.2 or S.11 | MR/C | 5 |
| 1764 | B.190273 | | | | | Bracket, locating, for fire extinguisher mounting | 1 | S.3, T.26 | C. | |
| 4697 | A.197977 | | | | | Bracket, mounting, for relay on lower portion of frame | 1 | DTD.610 | MR/C | JB.8 |
| 4698 | A.196361 | | | | | Bracket, mounting, for relays at lower portion of frame | 1 | DTD.610 | MR/C | JB.8 |
| 5723 | F.177893 | | | | | Bracket, for attaching stringers | 4 | DTD.610 | MR/C | |
| 5724 | F.177894 | | | | | Bracket, for attaching stringers | 4 | DTD.610 | MR/C | |
| 2504 | A.177433 | | | | | Channel, centre, at lower portion of frame | 2 | DTD.610 | MR/C | |
| 4704 | F.193326 | | | | | Channel, mounting, for J.B.1 | 1 | DTD.610 | MR/C | JB.8 |
| 2505 | A.177432 | | | | | Channel, outer, at lower portion of frame | 2 | DTD.610 | MR/C | |
| 4705 | F.193327 | | | | | Channel, mounting, for J.B.1 | 1 | DTD.610 | MR/C | JB.8 |
| 2506 | A.177434 | | | | | Channel, inner, at lower portion of frame | 2 | DTD.610 | MR/C | |
| 2507 | B.177191 | | | | | Channel, at bottom centre of frame | 2 | DTD.610 | MR/C | JB.8 |
| 28E/10031 | Terry 80x/2 | | | | | Clip, centre position of frame | 2 | — | C. | |
| 28E/10036 | Terry 80/4 | | | | | Clip, at centre and upper portion of frame (alternative to AS.2295/8) | 3 | — | C. | |
| 28E/10037 | Terry 80/5 | | | | | Clip, centre portion of frame (alternative to AS.2295/9) | 1 | — | C. | |
| 28E/10027 | Terry 80/000 | | | | | Clip, upper portion of frame (alternative to AS.2295/1) | 3 | — | C. | |
| | D.177178 | | | | | Fork, fitting, top port, bottom starboard | 2 | Stamping | | |
| | D.177179 | | | | | Fork, fitting, top starboard, bottom port | 2 | Stamping | | |
| | E.177177 | | | | | Member, cross, for hinge fitting attachment | 2 | Stamping | | |
| 7302 | Std.1718/8 | | | | | Nut, for fork fitting | 12 | S.1 | MR/C | 5 |
| 4706 | F.193436 | | | | | Packing, at mounting channel, for J.B.1 | 1 | DTD.610 | MR/C | |
| | A.177710 | | | | | Piece, packing, at lower portion of frame | 2 | DTD.610 | | |
| 4436 | B.198017 | | | | | Plate, reinforcing, at bottom rear of frame | 1 | DTD.610 | MR/C | |
| 4437 | B.198018 | | | | | Plate, reinforcing, at bottom rear of frame | 1 | DTD.610 | MR/C | |
| 4033 | B.177184 | | | | | Plate, reinforcing, at bottom forward of frame, starboard | 1 | DTD.546 | MR/C | JB.8 |
| 2509 | B.177185 | | | | | Plate, reinforcing, at bottom forward of frame, port | 1 | DTD.546 | MR/C | JB.8 |
| 4211 | Std.1687/2 | | | | | Saddle | 1 | — | C. | |
| 4707 | Std.915/A/14 | | | | | Washer, for relay mounting bracket | 4 | DTD.610 | MR/C | 5 |
| | Std.1208/125/52/20 | | | | | Washer, shim, for bolts, Std.1551 | QR | Shim Steel | | |
| 2510 | D.177180 | | | | | Web, forward | 1 | DTD.610 | MR/C | JB.8 |
| 2511 | D.177186 | | | | | Web, rear | 1 | DTD.610 | MR/C | |
| | E.178765 | | | | | Frame 26, group | 1 | — | | |
| 4702 | F.195553 | | | | | Angle, at starboard side of frame, for attaching hydraulic pipes | 1 | DTD.610 | MR/C | |

FUSELAGE—CENTRE PORTION.

| Ref. No. | Part No. | Description | | | | | No. Off | Material Specification | M.R. Class of Score | Plate No. |
|----------|------------|-------------|---|---|---|---|---------|------------------------|---------------------|-----------|
| | | 1 | 2 | 3 | 4 | 5 | | | | |
| 2512 | B.178772 | | | | | | 1 | DTD.610 | MR/C | JB.8 |
| | C.178766 | | | | | | 1 | DTD.610 | | |
| | C.178767 | | | | | | 1 | DTD.610 | | |
| 2513 | E.178765/2 | | | | | | 1 | DTD.610 | MR/C | JB.8 |
| 2514 | A.178778 | | | | | | 1 | DTD.610 | MR/C | JB.8 |
| 2515 | A.178779 | | | | | | 1 | DTD.610 | MR/C | JB.8 |
| 2470 | F.178982 | | | | | | 4 | S.1 & S.3 | MR/C | |
| | E.179520 | | | | | | 1 | — | | |
| 2516 | B.179527 | | | | | | 1 | DTD.610 | MR/C | JB.8 |
| 2517 | B.179528 | | | | | | 1 | DTD.610 | MR/C | JB.8 |
| 2518 | A.179531 | | | | | | 1 | DTD.610 | MR/C | |
| 2519 | A.179532 | | | | | | 1 | DTD.610 | MR/C | |
| 4708 | F.194971 | | | | | | 1 | DTD.610 | MR/C | |
| 4709 | F.194972 | | | | | | 1 | DTD.610 | MR/C | |
| 2520 | C.179525 | | | | | | 1 | DTD.610 | MR/C | JB.8 |
| 2521 | C.179526 | | | | | | 1 | DTD.610 | MR/C | JB.8 |
| | C.179522 | | | | | | 1 | DTD.610 | | |
| | C.179523 | | | | | | 1 | DTD.610 | | |
| 2522 | E.179520/4 | | | | | | 1 | DTD.610 | MR/C | JB.8 |
| 2523 | E.179520/5 | | | | | | 1 | DTD.610 | MR/C | JB.8 |
| | C.179521 | | | | | | 1 | DTD.610 | | |
| 2524 | F.179541 | | | | | | 1 | DTD.610 | MR/C | JB.8 |
| 2525 | F.179543 | | | | | | 2 | S.3, S.21 | MR/C | JB.8 |
| 2526 | F.179544 | | | | | | 2 | S.3, S.21 | MR/C | JB.8 |
| 2527 | F.179546 | | | | | | 2 | S.3, S.21 | MR/C | JB.8 |
| 2528 | A.179533 | | | | | | 1 | DTD.610 | MR/C | JB.8 |
| 2529 | A.179534 | | | | | | 1 | DTD.610 | MR/C | JB.8 |
| | D.200960 | | | | | | 1 | — | | |
| 2530 | A.177853 | | | | | | 2 | DTD.610 | MR/C | JB.8 |
| 6040 | A.201621 | | | | | | 1 | L.72 | MR/C | |
| 6041 | A.201620 | | | | | | 1 | L.72 | MR/C | |
| 6042 | A.200873 | | | | | | 1 | L.72 | MR/C | |
| 6043 | A.200872 | | | | | | 1 | L.72 | MR/C | |
| 2532 | D.177850/4 | | | | | | 1 | DTD.610 | MR/C | JB.8 |
| 2533 | B.177852 | | | | | | 1 | DTD.610 | MR/C | JB.8 |
| | D.200961 | | | | | | 1 | — | | |
| 2534 | D.177532/4 | | | | | | 1 | DTD.610 | MR/C | JB.8 |
| | D.177533 | | | | | | 1 | — | | |
| 2535 | D.177533/4 | | | | | | 1 | DTD.610 | MR/C | JB.8 |
| 2536 | B.177537 | | | | | | 1 | DTD.610 | MR/C | JB.4 |
| 2537 | B.177536 | | | | | | 1 | DTD.610 | MR/C | JB.8 |
| | D.177531 | | | | | | 1 | — | | |
| 2538 | D.177531/4 | | | | | | 1 | DTD.610 | MR/C | JB.8 |
| | D.177547 | | | | | | 1 | — | | |
| 4710 | F.177681 | | | | | | 2 | DTD.610 | C. | |
| 2539 | D.177547/4 | | | | | | 1 | DTD.610 | MR/C | JB.8 |
| 4711 | D.177547/5 | | | | | | 1 | DTD.610 | MR/C | |
| 4712 | D.177547/6 | | | | | | 1 | DTD.610 | MR/C | |

FUSELAGE—CENTRE PORTION

| Ref. No. | Part No. | Description | | | | | No. Off | Material Specification | M.R. Class of Store | Plate No. |
|----------|----------------|-------------|---|-----------|-----|---|----------|------------------------|---------------------|-----------|
| | | 1 | 2 | 3 | 4 | 5 | | | | |
| | E.178937 | Frame 32, | rear spar, | group | ... | 1 | — | | | |
| 2540 | A.178974 | Angle, | at lower portion of frame | ... | ... | 1 | DTD.610 | MR/C | JB.8 | |
| 2541 | A.178966 | Angle, | for attaching tank skin, | port | ... | 2 | DTD.610 | MR/C | | |
| 2542 | A.178967 | Angle, | for attaching tank skin, | starboard | ... | 1 | DTD.610 | MR/C | | |
| 2543 | B.179420 | Angle, | at lower portion of frame and inner channel | ... | ... | 1 | DTD.610 | MR/C | JB.8 | |
| 2544 | B.178961 | Angle, | for attaching tank skin, | port | ... | 1 | DTD.610 | MR/C | JB.8 | |
| 2545 | A.179456 | Angle, | at bottom portion of frame (port only) | ... | ... | 1 | DTD.610 | MR/C | | |
| 2546 | F.178976 | Angle, | for attaching tank skin, | starboard | ... | 1 | DTD.610 | MR/C | JB.8 | |
| 986 | A.180777 | Block, | for gear box mounting | ... | ... | 1 | Stamping | C. | JB.8 | |
| 987 | A.179999 | Block, | for gear box mounting | ... | ... | 1 | Stamping | C. | JB.8 | |
| 3827 | Std.1551/7/265 | Bolt, | at top fork fitting | ... | ... | 2 | S.99.B | MR/C | 5 | |
| 3828 | Std.1551/7/270 | Bolt, | at top fork fitting | ... | ... | 1 | S.99.B | MR/C | 5 | |
| 84 | Std.1551/7/245 | Bolt, | at top fork fitting | ... | ... | 1 | S.99.B | C. | 5 | |
| 3829 | Std.1551/7/215 | Bolt, | at top and bottom fork fittings | ... | ... | 4 | S.99.B | MR/C | 5 | |
| 3830 | Std.1551/7/260 | Bolt, | at top and bottom fork fittings | ... | ... | 3 | S.99.B | MR/C | 5 | |
| 3831 | Std.1551/7/205 | Bolt, | at top and bottom fork fittings | ... | ... | 3 | S.99.B | MR/C | 5 | |
| 2547 | F.180826 | Bolt, | special, at bottom fork fitting | ... | ... | 2 | S.99.B | MR/C | JB.8 | |
| 2548 | B.178955 | Boom, | forward, bottom outer | ... | ... | 1 | DTD.364 | MR/C | JB.8 | |
| 2549 | B.178956 | Boom, | rear, bottom outer | ... | ... | 1 | DTD.364 | MR/C | JB.8 | |
| 2550 | D.178943 | Boom, | rear outer, port | ... | ... | 1 | DTD.364 | MR/C | JB.8 | |
| 2551 | D.178944 | Boom, | rear outer, starboard | ... | ... | 1 | DTD.364 | MR/C | JB.8 | |
| 2552 | D.178945 | Boom, | forward, outer, port | ... | ... | 1 | DTD.364 | MR/C | JB.8 | |
| 2553 | D.178946 | Boom, | forward, outer, starboard | ... | ... | 1 | DTD.364 | MR/C | JB.8 | |
| | C.178949 | Boom, | forward, inner, port | ... | ... | 1 | DTD.364 | | | |
| | C.178950 | Boom, | rear, inner, port | ... | ... | 1 | DTD.364 | | | |
| | B.178951 | Boom, | forward, inner, starboard | ... | ... | 1 | DTD.364 | | | |
| | B.178952 | Boom, | rear, inner, starboard | ... | ... | 1 | DTD.364 | | | |
| 988 | A.180990 | Bracket, | steady, for gear box | ... | ... | 1 | Stamping | C. | JB.8 | |
| 2554 | A.179994 | Channel, | at lower portion of frame | ... | ... | 1 | DTD.610 | MR/C | JB.8 | |
| 2555 | A.179370 | Channel, | at lower portion of frame, port | ... | ... | 1 | DTD.610 | MR/C | | |
| 2556 | A.179373 | Channel, | at lower portion of frame, starboard | ... | ... | 1 | DTD.610 | MR/C | | |
| 2557 | A.179374 | Channel, | at lower portion of frame | ... | ... | 1 | DTD.610 | MR/C | | |
| 2558 | A.179993 | Channel, | at lower portion of frame | ... | ... | 1 | DTD.610 | MR/C | | |
| 2559 | A.179990 | Channel, | at lower portion of frame | ... | ... | 1 | DTD.610 | MR/C | JB.8 | |
| 2560 | A.179451 | Channel, | at lower portion of frame | ... | ... | 1 | DTD.610 | MR/C | | |
| 2561 | A.179991 | Channel, | at lower portion of frame | ... | ... | 1 | DTD.610 | MR/C | JB.8 | |
| | B.178958 | Channel, | bottom, inner | ... | ... | 1 | DTD.364 | | | |
| 2562 | A.179376 | Channel, | below bottom fork fitting | ... | ... | 1 | DTD.610 | MR/C | JB.8 | |
| 2563 | A.179995 | Channel, | for gear box mounting | ... | ... | 1 | S.3 | MR/C | JB.8 | |
| 2564 | A.179996 | Channel, | for gear box mounting | ... | ... | 1 | S.3 | MR/C | JB.8 | |
| 2565 | A.179997 | Channel, | for gear box mounting | ... | ... | 1 | S.3 | MR/C | JB.8 | |
| 4206 | B.183479 | Channel, | for gear box mounting | ... | ... | 1 | S.3 | MR/C | JB.8 | |
| 4713 | A.196973 | Channel, | blanking, for sealing at lower portion of frame | ... | ... | 1 | DTD.610 | MR/C | | |
| 4714 | A.196974 | Channel, | blanking, for sealing at lower portion of frame | ... | ... | 1 | DTD.610 | MR/C | | |
| | A.180534 | Cover, | for bolts, upper, port | ... | ... | 1 | DTD.610 | | | |
| | A.180535 | Cover, | for bolts, upper, starboard | ... | ... | 1 | DTD.610 | | | |
| | A.180536 | Cover, | for bolts, lower, port | ... | ... | 1 | DTD.610 | | | |
| | A.180537 | Cover, | for bolts, lower, starboard | ... | ... | 1 | DTD.610 | | | |

FUSELAGE—CENTRE PORTION

| Ref. No. | Part No. | Description | | | | | No. Off | Material Specification | M.R. Class of Score | Plate No. |
|----------|------------|-------------|---|---|---|---|---------|------------------------|---------------------|-----------|
| | | 1 | 2 | 3 | 4 | 5 | | | | |
| | C.180497 | | | | | | 1 | Stamping | | |
| | C.180498 | | | | | | 1 | Stamping | | |
| | C.180495 | | | | | | 1 | Stamping | | |
| | C.180496 | | | | | | 1 | Stamping | | |
| 2566 | F.180092 | | | | | | 2 | DTD.610 | MR/C | JB.8 |
| 2567 | A.178971 | | | | | | 2 | DTD.166 | MR/C | JB.8 |
| 2568 | A.178972 | | | | | | 2 | DTD.166 | MR/C | JB.8 |
| 2569 | A.178973 | | | | | | 4 | DTD.166 | MR/C | |
| 2570 | C.180089 | | | | | | 1 | DTD.166 | MR/C | JB.8 |
| 2571 | C.180090 | | | | | | 1 | DTD.166 | MR/C | JB.8 |
| 2572 | F.178981 | | | | | | 2 | S.3 | MR/C | JB.9 |
| | C.197248 | | | | | | - | - | | |
| 4634 | F.197153 | | | | | | 1 | LFS.21 | C. | |
| 4635 | F.197154 | | | | | | 1 | LFS.21 | C. | |
| 4636 | F.197155 | | | | | | 1 | LFS.21 | C. | |
| 4637 | F.197156 | | | | | | 1 | LFS.21 | C. | |
| 4638 | F.197157 | | | | | | 1 | LFS.21 | C. | |
| 4639 | F.197158 | | | | | | 1 | LFS.21 | C. | |
| 4640 | F.197159 | | | | | | 1 | LFS.21 | C. | |
| 4641 | F.197160 | | | | | | 1 | LFS.21 | C. | |
| 4642 | F.197161 | | | | | | 1 | LFS.21 | C. | |
| 4643 | F.197162 | | | | | | 2 | LFS.21 | C. | |
| 4644 | F.196784 | | | | | | 6 | DTD.610 | C. | |
| 4645 | F.197058 | | | | | | 2 | DTD.610 | C. | |
| 990 | F.180319 | | | | | | QR | Laminated Sheet | C. | |
| 2470 | F.178982 | | | | | | 3 | S.1 & S.3 | MR/C | |
| 989 | F.180664 | | | | | | 1 | DTD.364 | C. | JB.8 |
| 2573 | D.178939 | | | | | | 1 | DTD.610 | MR/C | JB.8 |
| 2574 | D.178940 | | | | | | 1 | DTD.610 | MR/C | |
| 2575 | D.178941 | | | | | | 1 | DTD.610 | MR/C | JB.8 |
| 2576 | D.178942 | | | | | | 1 | DTD.610 | MR/C | JB.8 |
| | B.205513 | | | | | | 1 | - | | |
| 4874 | F.195549 | | | | | | 4 | DTD.610 | MR/C | JB.9 |
| | F.196959 | | | | | | 1 | DTD.610 | MR/C | |
| 2577 | D.176661/2 | | | | | | 1 | DTD.610 | MR/C | JB.9 |
| 2578 | D.176661/3 | | | | | | 1 | DTD.610 | MR/C | JB.9 |
| 2579 | F.176665 | | | | | | 2 | DTD.510 | MR/C | JB.9 |
| 4211 | Std.1687/2 | | | | | | 2 | DTD.610 | C. | 5 |
| | D.177095 | | | | | | 1 | - | | |
| 2589 | F.190388 | | | | | | 1 | DTD.610 | MR/C | JB.9 |
| 2590 | F.190389 | | | | | | 1 | DTD.610 | MR/C | JB.9 |
| 2591 | A.190334 | | | | | | 1 | DTD.610 | MR/C | JB.9 |
| 2592 | A.190335 | | | | | | 1 | DTD.610 | MR/C | JB.9 |
| 4030 | A.196370 | | | | | | 1 | DTD.610 | MR/C | |
| 4785 | F.196959 | | | | | | 1 | DTD.610 | MR/C | |
| 8227 | B.214195 | | | | | | 1 | - | MR/C | JB.9 |
| 4715 | F.197167 | | | | | | 1 | S.3 | MR/C | |
| 2582 | A.177104 | | | | | | 2 | DTD.546 | MR/C | JB.9 |
| 2581 | A.177105 | | | | | | 2 | DTD.546 | MR/C | |
| 2583 | D.177095/6 | | | | | | 1 | DTD.364 | MR/C | JB.9 |

FUSELAGE—CENTRE PORTION

| Ref. No. | Part No. | Description | | | | | No. Off | Material Specification | M.R. Class of Score | Place No. |
|----------|-----------------|-------------|---|---|---|---|---------|------------------------|---------------------|-----------|
| | | 1 | 2 | 3 | 4 | 5 | | | | |
| 2584 | D.177095/1 | | | | | | 1 | DTD.610 | MR/C | JB.9 |
| 2585 | D.177095/2 | | | | | | 1 | DTD.610 | MR/C | JB.9 |
| 2586 | D.177095/3 | | | | | | 1 | DTD.610 | MR/C | JB.9 |
| 2587 | D.177095/4 | | | | | | 1 | DTD.610 | MR/C | JB.9 |
| 2588 | F.177101 | | | | | | 4 | S.96.B | MR/C | |
| 2593 | A.179364 | | | | | | 1 | S.3 | MR/C | |
| 993 | F.177106 | | | | | | 1 | S.3 | C. | JB.9 |
| 2594 | C.177096 | | | | | | 2 | DTD.610 | MR/C | JB.9 |
| 2595 | C.177097 | | | | | | 2 | DTD.610 | MR/C | JB.9 |
| 2596 | A.177100 | | | | | | 2 | DTD.610 | MR/C | JB.9 |
| 2597 | F.177108 | | | | | | 4 | DTD.610 | MR/C | JB.9 |
| | F.196368 | | | | | | 2 | DTD.610 | | |
| — | Std.1509/23/084 | | | | | | 4 | T.4 | | 4 |
| 4035 | Std.1509/23/112 | | | | | | 1 | T.4 | MR/C | 4 |
| 3729 | Std.184/11B | | | | | | 4 | S.2 | MR/C | 4 |
| | D.178028 | | | | | | 1 | — | | |
| 2598 | D.178028/4 | | | | | | 1 | DTD.610 | MR/C | JB.9 |
| 2599 | D.178028/5 | | | | | | 1 | DTD.610 | MR/C | JB.9 |
| | F.219862 | | | | | | 1 | MS | | |
| | F.219865 | | | | | | 1 | MS | | |
| | F.219861 | | | | | | 1 | — | | JB.9 |
| | F.219860 | | | | | | 1 | — | | JB.9 |
| | D.178029 | | | | | | 1 | — | | |
| 2600 | D.178029/4 | | | | | | 1 | DTD.610 | MR/C | JB.9 |
| 2601 | D.178029/5 | | | | | | 1 | DTD.610 | MR/C | JB.9 |
| | F.219864 | | | | | | 1 | S.3 & S.21 | | JB.9 |
| | F.219863 | | | | | | 1 | S.3 & S.21 | | JB.9 |
| 4297 | Std.843/11 | | | | | | 1 | DTD.610 | MR/C | 4 |
| | F.219861 | | | | | | 1 | — | | JB.9 |
| | F.219860 | | | | | | 1 | — | | |
| 2795 | F.190690 | | | | | | 1 | Durestos | MR/C | 4 |
| 4211 | Std.1687/2 | | | | | | 1 | DTD.610 | C. | 5 |
| | D.175981 | | | | | | 1 | — | | |
| 2796 | D.175981/4 | | | | | | 1 | DTD.610 | MR/C | JB.9 |
| 2797 | D.175981/5 | | | | | | 1 | DTD.610 | MR/C | JB.9 |
| 2798 | A.175984 | | | | | | 1 | DTD.610 | MR/C | JB.9 |
| | A.220498 | | | | | | 1 | L.72 | | JB.9 |
| 6044 | A.199625 | | | | | | 1 | DTD.610 | MR/C | JB.9 |
| 8237 | A.204563 | | | | | | 1 | L.72 | MR/C | JB.9 |
| | B.191742 | | | | | | 1 | DTD.610 | | |
| 6045 | B.203505 | | | | | | 1 | S.3 | MR/C | |

FUSELAGE—CENTRE PORTION

| Ref. No. | Part No. | Description | | | | | No. Off | Material Specification | M.R. Class of Store | Plate No. |
|----------|-------------------|-------------|---|---|---|---|---------|------------------------|---------------------|-----------|
| | | 1 | 2 | 3 | 4 | 5 | | | | |
| 2800 | D.175981/3 | | | | | | 1 | DTD.610 | MR/C | JB.9 |
| 2801 | F.175986 | | | | | | 2 | DTD.610 | MR/C | JB.9 |
| 2802 | A.175983 | | | | | | 1 | DTD.166 | MR/C | JB.9 |
| 2803 | C.175982 | | | | | | 1 | DTD.166 | MR/C | JB.9 |
| | F.196368 | | | | | | 1 | DTD.610 | | |
| | F.204568 | | | | | | 1 | L.72 | | |
| 4211 | Std.1687/2 | | | | | | 1 | DTD.610 | C. | 5 |
| | D.176012 | | | | | | 1 | — | | |
| 2804 | D.176012/5 | | | | | | 1 | DTD.610 | MR/C | JB.9 |
| 2805 | D.176012/9 | | | | | | 1 | DTD.610 | MR/C | JB.9 |
| 4036 | D.176012/10 | | | | | | 1 | DTD.610 | MR/C | JB.9 |
| 4008 | F.195286 | | | | | | 1 | DTD.610 | MR/C | JB.9 |
| 4009 | F.195287 | | | | | | 1 | DTD.610 | MR/C | JB.9 |
| 2806 | D.176012/4 | | | | | | 1 | DTD.610 | MR/C | JB.9 |
| | D.176255 | | | | | | 1 | DTD.610 | | |
| | D.176256 | | | | | | 1 | — | | |
| 2807 | D.176256/2 | | | | | | 1 | DTD.610 | MR/C | JB.9 |
| 2808 | D.176256/3 | | | | | | 1 | DTD.610 | MR/C | JB.9 |
| 2809 | D.176256/1 | | | | | | 1 | DTD.610 | MR/C | JB.9 |
| 2810 | B.176254 | | | | | | 1 | DTD.610 | MR/C | JB.9 |
| | F.196368 | | | | | | 1 | DTD.610 | | |
| 4211 | Std.1687/2 | | | | | | 9 | DTD.610 | C. | 5 |
| | E.175941 | | | | | | 1 | — | | |
| | A.175938 | | | | | | 2 | DTD.364 | | |
| | A.175939 | | | | | | 2 | DTD.364 | | |
| 1264† | F.163972 | | | | | | 8 | DTD.364 | C. | |
| 1765 | F.191864 | | | | | | 22 | DTD.364 | C. | JB.3 |
| 4716 | A.196782 | | | | | | 1 | DTD.610 | MR/C | |
| 4717 | A.196783 | | | | | | 1 | DTD.610 | MR/C | |
| 2811 | E.175941/3 | | | | | | 1 | DTD.610 | MR/C | JB.9 |
| 2812 | E.175941/4 | | | | | | 1 | DTD.610 | MR/C | JB.9 |
| 2813 | E.175941/5 | | | | | | 1 | DTD.610 | MR/C | JB.9 |
| 2814 | E.175941/6 | | | | | | 1 | DTD.610 | MR/C | JB.9 |
| 1003 | B.177308 | | | | | | 4 | Stamping | C. | JB.9 |
| 1004† | B.177306 | | | | | | 7 | Stamping | C. | JB.3 |
| 1005† | B.177307 | | | | | | 4 | Stamping | C. | JB.9 |
| | B.166524 | | | | | | 2 | Stamping | | |
| 2815 | B.177323 | | | | | | 1 | Stamping | MR/C | JB.6 |
| 2816 | F.175844 | | | | | | 1 | — | MR/C | JB.9 |
| 2817 | E.175941/9 | | | | | | 1 | DTD.610 | MR/C | JB.9 |
| — | Std.1509/24/150 | | | | | | 60 | T.4 | — | |
| | | | | | | | | | | |
| | B.196633-4 | | | | | | — | — | | |
| 4010 | F.196834 | | | | | | 2 | DTD.364 | MR/C | JB.3 |
| 4011 | F.196835 | | | | | | 2 | DTD.364 | MR/C | JB.3 |
| 4012 | F.196644 | | | | | | 4 | DTD.364 | MR/C | JB.3 |
| 4013 | B.196636 | | | | | | 1 | — | MR/C | JB.3 |
| 4014 | B.196637 | | | | | | 1 | — | MR/C | JB.3 |
| — | Aerolex F48.7.508 | | | | | | 1 | — | — | |

FUSELAGE—CENTRE PORTION

| Ref. No. | Part No. | Description | No. Off | Material Specification | M.R. Class of Store | Plate No. |
|----------|--------------------|---|---------|------------------------|---------------------|-----------|
| | | | | | | |
| | C.188601 | MOUNTING, FOR COLD AIR UNIT, ASSEMBLY ... | - | - | | |
| 2822 | F.188604 | Angle | 2 | DTD.610 | MR/C | |
| 2823 | F.188605 | Angle | 2 | DTD.610 | MR/C | |
| 2824 | B.188602 | Channel, inboard | 1 | DTD.610 | MR/C | JB.3 |
| 2825 | B.188603 | Channel, outboard | 1 | DTD.610 | MR/C | JB.3 |
| | C.192896 | MOUNTING, FOR HIGH ENERGY IGNITION UNITS, ASSEMBLY | - | - | | |
| 5812 | A.197467 | Angle, support, lower | 1 | DTD.610 | C. | |
| 5813 | A.197466 | Angle, support, upper | 1 | DTD.610 | C. | |
| 2827 | F.192898 | Bracket, support, at upper mounting | 2 | DTD.610 | MR/C | |
| 2829 | A.192897 | Bracket, support, at upper mounting | 1 | DTD.610 | MR/C | JB.3 |
| | D.191929 | Outlet, for starter exhaust | - | - | | |
| 1766 | A.192787 | Bracket, attachment | 1 | S.3 | C. | JB.5 |
| | Aerolex F.48.7.411 | Pin, quick release (Use 28FP/6) | 1 | - | - | |
| 2736 | C.195168 | Plate, sealing | 1 | S.3 | C. | JB.5 |
| 2734 | A.195012 | Sleeve, flexible, for sealing starter exhaust | 1 | Moulded Silicone | C. | JB.5 |
| 2735 | F.191935 | Strip, retaining | 1 | S.3 | MR/C | JB.5 |
| 1768 | B.191932 | Tube, exhaust | 1 | - | B. | JB.5 |
| | E.201817 | Panel, support, for centre tank, group | 1 | - | - | |
| 996 | F.182738 | Bolt, special | 48 | S.95 | C. | JB.6 |
| 4527† | E.201815* | Panel, support, detachable, for centre tank, port, group (Pre-Mod. 118) | 1 | - | B. | |
| 8107 | E.203205 | Panel, support, detachable, for centre tank, port, group (Mod. 118) (Pre-Mod. 345) | 1 | - | B. | |
| 8468 | E.220789 | Panel, support, detachable, for centre tank, port, group (Mod. 345) | 1 | - | A. | JB.6 |
| 994 | B.184014 | Panel, side, port, group | 1 | DTD.610 | C. | JB.6 |
| 28FP/146 | Dzus A4.25 | Fastener | 4 | - | C. | |
| | F.182656 | Plate, joint, top | 1 | DTD.610 | | |
| | F.182657 | Plate, joint, centre | 1 | DTD.610 | | |
| | F.182658 | Plate, joint, centre | 1 | DTD.610 | | |
| | F.182659 | Plate, joint, centre | 2 | DTD.610 | | |
| 28FP/329 | Dzus S4.200 | Spring | 10 | - | C. | |
| 4528† | E.201816* | Panel, support, detachable, for centre tank, starboard, group (Pre-Mod. 118) | 1 | - | B. | |
| 8108 | E.203206 | Panel, support, detachable, for centre tank, starboard, group (Mod. 118) (Pre-Mod. 345) | 1 | - | B. | |
| 8469 | E.220790 | Panel, support, detachable, for centre tank, starboard, group (Mod. 345) | 1 | - | A. | JB.6 |
| 995 | B.184015 | Panel, side, starboard, group | 1 | DTD.610 | C. | JB.6 |
| 28FP/147 | Dzus A4.30 | Fastener | 2 | - | C. | |
| 28FP/148 | Dzus A4.35 | Fastener | 2 | - | C. | |
| | F.182657 | Plate, joint, centre | 1 | DTD.610 | | |
| | F.182658 | Plate, joint, centre | 1 | DTD.610 | | |
| | F.182659 | Plate, joint, centre | 2 | DTD.610 | | |
| 28FP/329 | Dzus S4.200 | Spring | 8 | - | C. | |

RESTRICTED

Hunter F. Mk. 4
Issued with Amendment List No. 18

FUSELAGE—CENTRE PORTION

| Ref. No. | Part No. | Description | | | | | No. Off | Material Specification | M.R. Class of Score | Plate No. |
|----------|-----------------|-------------|---|---|---|--|---------|------------------------|---------------------|-----------|
| | | 1 | 2 | 3 | 4 | 5 | | | | |
| 1006 | C.183270* | | | | | Panel, for centre tank detachable support panels, group (Pre-Mod. 118) | 1 | DTD.610 | B. | |
| 28FP/146 | Dzus A4.25 | | | | | Fastener | 4 | — | C. | |
| 28FP/329 | Dzus S4.200 | | | | | Spring | 3 | — | C. | |
| 8109 | C.203379 | | | | | Panel, for centre tank detachable support panel, group (Mod. 118) (Pre-Mod. 345) | 1 | DTD.610 | B. | |
| 8470 | C.220791 | | | | | Panel, for centre tank detachable support panels (Mod. 345) | 1 | — | B. | JB.6 |
| 28FP/147 | Dzus A4.30 | | | | | Fastener | 4 | — | C. | |
| 28FP/329 | Dzus S4.200 | | | | | Spring | 3 | — | C. | |
| 1000 | A.183303 | | | | | Panel, top, group | 1 | DTD.610 | C. | JB.6 |
| 28FP/146 | Dzus A4.25 | | | | | Fastener | 4 | — | C. | |
| 997 | F.183770 | | | | | Plate, nut, port | 1 | S.3 | C. | JB.6 |
| 998 | F.183771 | | | | | Plate, nut, starboard | 1 | S.3 | C. | JB.6 |
| 1001 | C.183768 | | | | | Ring, sealing, at forward end, port, group | 1 | DTD.610 | C. | JB.6 |
| 1002 | C.183796 | | | | | Ring, sealing, at forward end, starboard, group | 1 | DTD.610 | C. | JB.6 |
| 28FP/147 | Dzus A4.30 | | | | | Fastener | 21 | — | C. | |
| 1772 | A.193585 | | | | | Ring, sealing, for air intake (Pre-Mod. 345) | 1 | Rubber | C. | JB.6 |
| 8713 | D.218049 | | | | | Panel, access, for main fuel tank, port, group | 1 | — | A. | JB.1 |
| 7836 | C.210032 | | | | | Panel, access, for main fuel tank, starboard, group | 1 | — | A. | JB.1 |
| | F.200150 | | | | | Bracket, support, for strap (Mod. H229) | 4 | L.72 | | |
| | F.207759 | | | | | Guard, cable (port only) | 1 | — | | |
| | A.200153 | | | | | Strap | 2 | DTD.5506 | | |
| 6046 | F.203116 | | | | | Plate, blanking, port, at frame 37 | 2 | S.3 | MR/C | |
| | F.219953 | | | | | Plate, blanking, starboard, at frame 37 (Mod. 252) (Make from 30A/546, 3½" x 3") | 1 | S.510 | | |
| | B.176816 | | | | | RAIL, FOR ENGINE, ASSEMBLY | — | — | | |
| 2737 | B.166532 | | | | | Mounting, for engine rail | 1 | Stamping | MR/C | JB.4 |
| 2738 | B.176175 | | | | | Rail | 1 | DTD.364 | MR/C | JB.6 |
| — | Std.1509/23/034 | | | | | Tube, distance, ⅜" o/d x 17 s.w.g. x 0.34" long (Make from 30B/556) | 4 | T.4 | | |
| 3811 | Std.1547/32/12 | | | | | Washer, for rear end joint | 2 | DTD.610 | MR/C | 4 |
| 2739 | A.176169 | | | | | Web, forward, port | 1 | DTD.610 | MR/C | JB.6 |
| 2740 | A.176170 | | | | | Web, forward, starboard | 1 | DTD.610 | MR/C | JB.6 |
| 2741 | A.176171 | | | | | Web, centre, port | 1 | DTD.610 | MR/C | JB.6 |
| 2742 | A.176172 | | | | | Web, centre, starboard | 1 | DTD.610 | MR/C | JB.6 |
| 2743 | A.176173 | | | | | Web, aft, port | 1 | DTD.610 | MR/C | JB.6 |
| 2744 | A.176174 | | | | | Web, aft, starboard | 1 | DTD.610 | MR/C | JB.6 |
| | C.189596 | | | | | SEALING PLATE, FOR STRINGERS AT FRAMES 37, ASSEMBLY | — | — | | |
| 4460 | F.189597 | | | | | Sealing, at stringer "A" (Pre-Mod. 118) | 1 | Plastic | MR/C | |
| 4461 | F.189598 | | | | | Sealing, at stringer "B" (Pre-Mod. 118) | 2 | Plastic | MR/C | |
| 4462 | F.189599 | | | | | Sealing, at stringer "C" | 2 | Plastic | MR/C | |
| 4466 | F.189684 | | | | | Sealing, at stringer "D" | 2 | Plastic | MR/C | JB.9 |
| 4465 | F.189602 | | | | | Sealing, at stringer "E" | 2 | Plastic | MR/C | JB.9 |
| 4463 | F.189600 | | | | | Sealing, at stringer "F" | 2 | Plastic | MR/C | JB.9 |
| 4464 | F.189601 | | | | | Sealing, at stringer "F" | 2 | Plastic | MR/C | JB.9 |
| 4455 | F.189603 | | | | | Sealing, at stringer "G" | 2 | Plastic | MR/C | JB.9 |
| 4456 | F.189604 | | | | | Sealing, at stringer "H", port | 1 | Plastic | MR/C | |
| 4459 | F.199789 | | | | | Sealing, at stringer "H", starboard (Pre-Mod. 118) | 1 | Plastic | MR/C | |
| 4457 | F.189605 | | | | | Sealing, at stringer "J" | 2 | Plastic | MR/C | |
| 4458 | F.189606 | | | | | Sealing, at stringer "K" | 2 | Plastic | MR/C | |
| 4015 | F.195812 | | | | | Shim, at engine mounting channel, frame 40A | 2 | Brass Laminum | C. | |

RESTRICTED

FUSELAGE—CENTRE PORTION

| Ref. No. | Part No. | Description | | | | | No. Off | Material Specification | M.R. Class of Store | Plate No. |
|----------|----------------------|---|---|---|---|---|---------|------------------------|---------------------|-----------|
| | | 1 | 2 | 3 | 4 | 5 | | | | |
| | | SKIN, COVERING, ASSEMBLY | | | | | | | | |
| 4718 | E.200955 A.196875 | Bracket, mounting, for engine pump non-return valve, between frames 33 and 34 | | | | | 1 | DTD.610 | MR/C | |
| 6047 | A.201094 | Bracket, mounting, at frame 31 | | | | | 3 | L.72 | MR/C | |
| 4648 | F.192047 | Clip, securing hydraulic pipes, between frames 36 and 37 | | | | | 1 | S.84 | C. | |
| 4649 | F.193862 | Clip, securing hydraulic pipes, between frames 33 and 34 | | | | | 2 | S.84 | C. | |
| | D.179787 | DUCT, COOLER EXIT, PORT, SUB-ASSEMBLY | | | | | | | | |
| | D.179788 | DUCT, COOLER EXIT, STARBOARD, SUB-ASSEMBLY | | | | | | | | |
| | B.180907 | Duct, fixed, port | | | | | 1 | L.16 | | |
| | B.180908 | Duct, fixed, starboard | | | | | 1 | L.14 | | |
| | A.180727 | Landing, for panel, port | | | | | 1 | DTD.610 | | |
| | A.180728 | Landing, for panel, starboard | | | | | 1 | DTD.610 | | |
| 1010 | B.180863 | Panel, port | | | | | 1 | DTD.610 | C. | JB.6 |
| 1011 | B.180864 | Panel, starboard | | | | | 1 | DTD.610 | C. | JB.6 |
| 1012 | C.189378 | Panel, louvred, for cooler duct exit | | | | | 2 | S.3 & DTD.610 | B. | JB.6 |
| | C.187577 | Intake, for cooling air, bottom port group ... | | | | | 1 | — | | |
| | C.187578 | Intake, for cooling air, bottom starboard group ... | | | | | 1 | — | | |
| 1007 | C.188060 | Duct | | | | | 2 | S.3 | C. | JB.1 |
| 2745 | C.180542 | Landing, for front engine mountings access panel, port | | | | | 1 | DTD.610 | MR/C | JB.2 |
| 2746 | C.180543 | Landing, for front engine mountings access panel, starboard | | | | | 1 | DTD.160 | MR/C | JB.2 |
| 2747 | C.186937/1 | Landing, for igniter plugs access panel, port ... (Known as C.186937/A) | | | | | 1 | DTD.510 | MR/C | JB.2 |
| 6048 | C.186937/2 | Landing, for hydraulic filter access panel, port ... (Known as C.186937/B) | | | | | 1 | DTD.610 | MR/C | JB.2 |
| 2748 | C.186938/1 | Landing, for igniter plugs access panel, starboard (Known as C.186938/A) | | | | | 1 | DTD.610 | MR/C | JB.2 |
| | B.204979 | LEVELLING, POINTS SUB-ASSEMBLY | | | | | | | | |
| | F.184598 | Bearing, aft, levelling point | | | | | 2 | Stamping | | |
| | A.184835 | Bracket, bearing, forward levelling point, port | | | | | 1 | S.3 & S.21 | | |
| | A.184836 | Bracket, bearing, forward levelling point, starboard | | | | | 1 | S.3 & S.21 | | |
| 2749 | A.186459 | Mounting, for suction relief valve | | | | | 2 | — | MR/C | JB.3 |
| 6049 | F.197018 | Mounting, for terminal blocks | | | | | 2 | DTD.610 | MR/C | |
| 1023 | F.173505 | Nut, retaining, for fuel tank | | | | | 16 | S.3 & S.21 | C. | JB.2 |
| 2750 | A.187454 | Plate, reinforcing, for suction relief valve access door | | | | | 2 | DTD.546 | MR/C | JB.2 |
| 2751 | C.184586 | Plate, reinforcing, port | | | | | 1 | DTD.546 & DTD.610 | MR/C | JB.2 |
| 2752 | C.184597 | Plate, reinforcing, starboard | | | | | 1 | DTD.546 & DTD.610 | MR/C | JB.2 |
| | C.199414 | PLATE, REINFORCING, FOR OIL FILLER ACCESS DOOR, ASSEMBLY | | | | | | | | |
| 6050 | C.199414/2 | Angle | | | | | 1 | DTD.166 | MR/C | |
| 4242 | Std.1231/7 | Lug | | | | | 1 | S.3 | C. | 4 |
| 6051 | C.199414/3 | Packing | | | | | 1 | L.72 | MR/C | |
| 6052 | C.199414/1 | Plate, reinforcing | | | | | 1 | L.72 | MR/C | JB.5 |
| 5711 | A.197762 | Plate, reinforcing, for relief valve support tube ... | | | | | 4 | DTD.610 | MR/C | |

FUSELAGE—CENTRE PORTION

| Ref. No. | Part No. | Description | | | | | No. Off | Material Specification | M.R. Class of Store | Plate No. |
|----------|-----------------------------|-------------|---|---|---|---|---------|------------------------|---------------------|-----------|
| | | 1 | 2 | 3 | 4 | 5 | | | | |
| | F.216515 | | | | | | 1 | — | | |
| 1009 | F.184599 | | | | | | 1 | DTD.610 | C. | JB.2 |
| 4211 | Std.1678/2 | | | | | | 4 | DTD.610 | C. | 5 |
| 1025 | King Aircraft Corp. D3060/2 | | | | | | 6 | — | C. | JB.5 |
| 9402 | A.221538 | | | | | | 1 | Rubber | C. | JB.2 |
| | E.183424 | | | | | | — | — | | |
| | | | | | | | | | | |
| 2756 | A.192906 | | | | | | 1 | DTD.610 | MR/C | JB.2 |
| 2757 | B.193594 | | | | | | 1 | DTD.610 | MR/C | JB.2 |
| | A.220936 | | | | | | 1 | L.72 | | |
| | C.188312-3 | | | | | | — | — | | |
| | | | | | | | | | | |
| 2753 | B.188314 | | | | | | 1 | DTD.610 | MR/C | JB.2 |
| 2754 | B.188315 | | | | | | 1 | DTD.610 | MR/C | JB.2 |
| 2755 | C.181728 | | | | | | 2 | DTD.610 | MR/C | JB.2 |
| | F.205515 | | | | | | 2 | Rubber | | |
| | E.183421 | | | | | | — | — | | |
| | | | | | | | | | | |
| 6053 | A.204966 | | | | | | 1 | L.72 | MR/C | |
| | A.215063 | | | | | | 1 | — | | |
| | | | | | | | | | | |
| 4719 | A.197061 | | | | | | 1 | DTD.610 | MR/C | |
| 4600 | F.201722 | | | | | | 1 | L.72 | C. | |
| 2758 | F.189545 | | | | | | 1 | L.16 & L.54 | MR/C | JB.5 |
| 1773 | A.192320 | | | | | | 1 | T.35 | C. | JB.5 |
| | | | | | | | | | | |
| 8513 | F.216608 | | | | | | 6 | L.65.C | C. | |
| | | | | | | | | | | |
| 8523 | F.216520 | | | | | | 1 | — | | |
| 3370 | F.184563 | | | | | | 1 | DTD.610 | MR/C | JB.5 |
| 3371 | F.184564 | | | | | | 1 | DTD.610 | MR/C | JB.5 |
| | A.182100 | | | | | | 1 | DTD.610 | | |
| | A.183429 | | | | | | 1 | DTD.610 | | |
| | A.183430 | | | | | | 1 | DTD.610 | | |
| 2759 | A.183418 | | | | | | 1 | L.72 | MR/C | JB.5 |
| | | | | | | | | | | |
| 2760 | A.183419 | | | | | | 1 | L.72 | MR/C | JB.5 |
| | | | | | | | | | | |
| 2761 | A.183428 | | | | | | 1 | L.72 | MR/C | JB.5 |
| 4275 | B.183416 | | | | | | 1 | DTD.610 | MR/C | |
| | | | | | | | | | | |
| 2762 | B.183417 | | | | | | 1 | DTD.610 | MR/C | JB.5 |
| | | | | | | | | | | |
| 2763 | B.183431 | | | | | | 1 | DTD.610 | MR/C | |
| 1774 | B.188562/A | | | | | | 1 | — | C. | JB.6 |
| | | | | | | | | | | |
| | B.18862/2 | | | | | | 1 | DTD.283 or DTD.265 | | |
| | B.188562/1 | | | | | | 1 | DTD.253 | | |
| | B.188562/3 | | | | | | 1 | DTD.283 or DTD.265 | | |

FUSELAGE—CENTRE PORTION

| Ref. No. | Part No. | Description | | | | | No. Off | Material Specification | M.R. Class of Store | Plate No. |
|----------|----------------|--|---|---|---|---|---------|------------------------|---------------------|-----------|
| | | 1 | 2 | 3 | 4 | 5 | | | | |
| | B.192037 | PLATFORM, FOR STARTER EXHAUST, OUTLET, SUB-ASSEMBLY | | | | | - | - | | |
| 1775 | B.191931 | Platform | | | | | 1 | S.3 | C. | JB.5 |
| 1776 | A.192798 | Ring, guide | | | | | 1 | DTD.571 | C. | JB.5 |
| 2764 | C.182823 | Plate, reinforcing, at frames 22 and 24, port | | | | | 1 | DTD.610 | MR/C | JB.5 |
| 2156 | C.182824 | Plate, reinforcing, at frames 22 and 24, starboard | | | | | 1 | DTD.610 | MR/C | JB.5 |
| 2157 | C.182692 | Plate, reinforcing, at frames 37 and 40, port | | | | | 1 | DTD.546 | MR/C | JB.5 |
| 2158 | C.182693 | Plate, reinforcing, at frames 37 and 40, starboard | | | | | 1 | DTD.546 | MR/C | JB.5 |
| 2765 | F.194029 | Plate, nut, at main spar | | | | | 2 | S.3 | MR/C | |
| 2159 | C.183432 | Plate, joint, for bottom main skin to rear spar, port | | | | | 1 | DTD.610 | MR/C | |
| 2160 | C.183433 | Plate, joint, for bottom main skin to rear spar, starboard | | | | | 1 | DTD.610 | MR/C | |
| | A.182101 | Plate, gusset, at frame 31 | | | | | 1 | DTD.610 | | |
| 2161 | F.189753 | Ring, reinforcing, between frames 27 and 28 | | | | | 1 | DTD.610 | MR/C | |
| 1833† | E.183421/1 | Skin, bottom, between frame 27 and rear spar | | | | | 1 | DTD.610 | B. | JB.1 |
| 1834† | E.183421/2 | Skin, bottom, between frames 37 and 40A | | | | | 1 | DTD.610 | B. | JB.1 |
| 2162 | E.183421/3 | Skin, bottom, at main spar | | | | | 1 | DTD.610 | MR/B | JB.1 |
| 2163 | E.183421/4 | Skin, bottom, at frame 34 | | | | | 1 | DTD.610 | MR/B | JB.1 |
| 2164 | B.184367 | Stringer "L", aft of frame 29, port | | | | | 1 | DTD.610 | MR/C | JB.4 |
| 2165 | B.184268 | Stringer "L", aft of frame 29, starboard | | | | | 1 | DTD.610 | MR/C | JB.4 |
| 2166 | B.184366 | Stringer "M", frame 29 to rear spar | | | | | 1 | DTD.610 | MR/C | JB.4 |
| | F.184369 | Stringers, for bottom skin, between frames 27 and 28 | | | | | 3 | DTD.610 | | |
| | F.184370 | Stringers, for bottom skin, between frames 28 and 29 | | | | | 3 | DTD.610 | | |
| | D.186527 | TOGGLE, ATTACHMENTS, AT DOOR OPENINGS, SUB-ASSEMBLY | | | | | - | - | | |
| 5855 | A.205075 | Cable, retaining engine access panel | | | | | 1 | - | C. | |
| 3843 | K.A.C. C3903/1 | Fitting, attachment | | | | | 3 | - | C. | JB.5 |
| 3844 | K.A.C. C3903/2 | Fitting, attachment | | | | | 1 | - | C. | JB.5 |
| 3845 | K.A.C. C3903/3 | Fitting, attachment | | | | | 1 | - | C. | JB.5 |
| | K.A.C. D4483 | Fitting, attachment | | | | | 1 | - | - | |
| 2167 | A.188887 | Fitting, hinge, for engine access door | | | | | 1 | Stamping | MR/C | |
| 2168 | A.188888 | Fitting, hinge, for engine access door | | | | | 1 | Stamping | MR/C | |
| 1024 | K.A.C. C3100/H | Lever and catch pin | | | | | 6 | - | C. | JB.5 |
| 2171 | A.189447 | Stiffener, for gearbox access door | | | | | 1 | L.72 | MR/C | |
| 2172 | A.189446 | Stiffener, for engine starter access door | | | | | 1 | L.72 | MR/C | |
| 2147 | Std.915/C/20 | Washer, at "King Aircraft" attachment fittings | | | | | 6 | DTD.610 | C. | 4 |
| 2173 | E.183420/1 | Skin, top, nose spar to main spar, port (Identical to 26FX/7558, D.203702/1) | | | | | 1 | DTD.546 | MR/B | JB.2 |
| 2174 | E.183420/2 | Skin, top, nose spar to main spar, starboard (Identical to 26FX/7559, D.203702/2) | | | | | 1 | DTD.546 | MR/B | JB.2 |
| 1825 | E.183420/3 | Skin, side, nose spar to frame 21, port (Identical to 26FX/7560, D.203702/3) | | | | | 1 | DTD.546 | B. | JB.2 |
| 1826 | E.183420/4 | Skin, side, nose spar to frame 21, starboard (Identical to 26FX/7561, D.203702/4) | | | | | 1 | DTD.546 | B. | JB.2 |
| 1827 | E.183420/5 | Skin, side, frame 21 to main spar, port (Identical to 26FX/7562, D.203702/5) | | | | | 1 | DTD.546 | B. | JB.2 |
| 1828 | E.183420/6 | Skin, side, frame 21 to main spar, starboard | | | | | 1 | DTD.546 | B. | JB.2 |

RESTRICTED

FUSELAGE—CENTRE PORTION

| Ref. No. | Part No. | Description | | | | | No. Off | Material Specification | M.R. Class of Score | Plate No. |
|----------|-------------|-------------|---|---|---|---|---------|------------------------|---------------------|-----------|
| | | 1 | 2 | 3 | 4 | 5 | | | | |
| 4529 | E.200955/1 | | | | | Skin, top, main spar to rear spar, port ... | 1 | DTD.546 | B. | JB.2 |
| 4530 | E.200955/2 | | | | | Skin, top, main spar to rear spar, starboard ... | 1 | DTD.546 | B. | JB.2 |
| 4531 | E.200955/3 | | | | | Skin, side, main spar to rear spar, port ... | 1 | DTD.546 | B. | JB.2 |
| 4532 | E.200955/4 | | | | | Skin, side, main spar to rear spar, starboard ... | 1 | DTD.546 | B. | JB.2 |
| 2177 | E.183420/13 | | | | | Skin, top, rear spar to frame 40A, port ... (Identical to 26FX/7541, E.201049/1) | 1 | DTD.610 | MR/B | JB.2 |
| 2178 | E.183420/14 | | | | | Skin, top, rear spar to frame 40A, starboard ... (Identical to 26FX/7542, E.201049/2) | 1 | DTD.610 | MR/B | JB.2 |
| 1831 | E.183420/15 | | | | | Skin, side, rear spar to frame 40A, port ... (Identical to 26FX/7543, E.201049/3) | 1 | DTD.610 | B. | JB.2 |
| 1832 | E.183420/16 | | | | | Skin, side, rear spar to frame 40A, starboard ... (Identical to 26FX/7544, E.201049/4) | 1 | DTD.610 | B. | JB.2 |
| 9401 | F.221636 | | | | | Socket, for engine oil filler drain pipe (Mod.344) | 1 | S.3 & T.26 | C. | |
| | C.205785-6 | | | | | STOP, FOR UNDERCARRIAGE FAIRING DOOR AND SEQUENCE VALVE MOUNTING, SUB-ASSEMBLY | — | — | | |
| 5177 | B.201691 | | | | | Bracket, forward, port (8 morse No.21 holes omitted) | 1 | L.72 | C. | JB.2 |
| 5178 | B.201692 | | | | | Bracket, forward, starboard (8 morse No.21 holes omitted) | 1 | L.72 | C. | JB.2 |
| 5179 | B.201693 | | | | | Bracket, aft, port (8 morse No. 21 holes omitted) | 1 | L.72 | C. | JB.2 |
| 5180 | B.201694 | | | | | Bracket, aft, starboard (8 morse No.21 holes omitted) | 1 | L.72 | C. | JB.2 |
| 5815 | A.189625 | | | | | Bracket, mounting, for sequence valve, port ... | 1 | DTD.610 | C. | |
| 5816 | A.189626 | | | | | Bracket, mounting, for sequence valve, starboard ... | 1 | DTD.610 | C. | |
| 5732 | A.201677 | | | | | Bracket, reinforcing, port ... | 1 | S.3 | MR/C | |
| 5733 | A.201678 | | | | | Bracket, reinforcing, starboard ... | 1 | S.3 | MR/C | |
| 5734 | C.201673 | | | | | Bracket, lower, forward, port ... | 1 | L.72 | MR/C | |
| 5735 | C.201674 | | | | | Bracket, lower, forward, starboard ... | 1 | L.72 | MR/C | |
| 5736 | C.201675 | | | | | Bracket, lower, aft, port ... | 1 | L.72 | MR/C | |
| 5737 | C.201676 | | | | | Bracket, lower, aft, starboard ... | 1 | L.72 | MR/C | |
| 5738 | A.202891 | | | | | Bracket, guide, port ... | 1 | DTD.364 & St. St. | MR/C | |
| 5739 | A.202892 | | | | | Bracket, guide, starboard ... | 1 | DTD.364 & St. St. | MR/C | |
| 8402 | F.209988 | | | | | Bush, for operating lever (Mod.314) ... | 2 | BSS.369 | C. | |
| 7855 | A.209985 | | | | | Lever, operating sequence valve, port (Mod.314) | 1 | Casting | C. | JB.2 |
| 7856 | A.209987 | | | | | Lever, operating sequence valve, starboard (Mod.314) | 1 | Casting | C. | JB.2 |
| 1014 | F.189628 | | | | | Rod, operating ... | 2 | S.95.B | C. | JB.2 |
| 1013 | F.189627 | | | | | Screw, special ... | 2 | S.95.B | C. | JB.2 |
| 4650 | F.198997 | | | | | Screw, special, for stop adjustment ... | 2 | S.95.B | C. | JB.2 |
| 1015 | F.189629 | | | | | Stop, at top of operating rod ... | 2 | S.95.B | C. | JB.2 |
| 4651 | F.196854 | | | | | Stud, special ... | 2 | S.3 & S.21 | C. | |
| 1016 | F.187086 | | | | | Trunnion ... | 2 | S.94.B | C. | JB.2 |
| | C.205785/1 | | | | | Tube, distance (may be made from 1567/23 '060) | 2 | T.26 | | |
| 2179 | E.183420/18 | | | | | Strap, bottom, at frame 34 ... | 1 | DTD.610 | MR/C | JB.4 |
| 2180 | D.182826 | | | | | Strap, reinforcing, at frame 21, bottom portion ... | 1 | DTD.546 | MR/C | JB.4 |
| 2183 | C.182636 | | | | | Strap, reinforcing, at rear spar, bottom portion ... | 1 | DTD.546 | MR/C | JB.4 |
| 2181 | C.182631 | | | | | Strap, reinforcing, at main spar, bottom portion, port | 1 | DTD.546 | MR/C | JB.4 |
| 2182 | C.182632 | | | | | Strap, reinforcing, at main spar, bottom portion, starboard | 1 | DTD.546 | MR/C | JB.4 |

RESTRICTED

FUSELAGE—CENTRE PORTION

| Ref. No. | Part No. | Description | No. Off | Material Specification | M.R. Class of Store | Plate No. |
|----------|----------------------------|---|---------|------------------------|---------------------|-----------|
| | | | | | | |
| | C.197867 | TRAY, DRIP, FOR HYDRAULIC RESERVOIR, ASSEMBLY | - | - | | |
| | F.197869 | Socket | 1 | S.3 & T.26 | | |
| | B.197868 | Tray, drip | 1 | L.59 & L.54 | | |
| | B.199734 | Vent-pipe, case breather, group | 1 | - | | |
| 5817 | A.193564 | Sleeve | 1 | T.45 & S.3 | C. | |
| 1753 | A.192205 | Spring | 1 | Sp. St. | C. | |
| 1752 | A.192204 | Vent-pipe | 1 | S.3 | C. | |
| | E.182426 | SKIN, SUPPORTING, FOR AIR INTAKE AND CENTRE FUEL TANK, ASSEMBLY | - | - | | |
| 4720 | F.194933 | Angle, for attaching hydraulic pipes | 1 | DTD.610 | MR/C | |
| | D.180948 | BREECHES-PIECE, DETAIL SUB-ASSEMBLY | - | - | | |
| 2184 | B.189308 | Ring, retaining sealing rubber at frame 29, aft | 1 | DTD.610 | MR/C | JB.6 |
| 6758 | 477 B.213115 | Ring, sealing, at frame 28, aft | 1 | Rubber | C. | JB.6 |
| 2185 | C.178230 | Diaphragm, at frame 28, group | 1 | - | MR/B | |
| | B.178235 | Angle, port | 1 | DTD.546 | | |
| | B.178236 | Angle, starboard | 1 | DTD.546 | | |
| | B.178231 | Diaphragm | 1 | DTD.610 | | |
| | B.186121 | Ring, supporting, port | 1 | DTD.610 | | |
| | B.186122 | Ring, supporting, starboard | 1 | DTD.610 | | |
| 2186 | B.177538 | Member, bottom, for frame 29, forward | 1 | DTD.166 | MR/C | |
| 2187 | B.177539 | Member, bottom, for frame 29, aft | 1 | DTD.166 | MR/C | |
| 6054 | A.204325 | Packing, at frame 29 | 1 | L.72 | MR/C | |
| 2188 | B.182435 | Stiffener, bottom, for frame 30 | 1 | DTD.610 | MR/C | |
| 2189 | C.182434 | Stiffener, bottom, for frame 31 | 1 | DTD.610 | MR/C | |
| | E.200962 | SKINS, FOR CENTRE FUEL TANK, SUB-ASSEMBLY | - | - | | |
| 4533 | E.200962/3 | Skin, forward bottom, port | 1 | L.72 | B. | JB.3 |
| 4534 | E.200962/4 | Skin, forward bottom, starboard | 1 | L.72 | B. | JB.3 |
| 2605 | E.182428/7 | Skin, aft bottom, port | 1 | L.72 | MR/B | JB.3 |
| 2606 | E.182428/8 | Skin, aft bottom, starboard | 1 | L.72 | MR/B | JB.3 |
| | D.182430-1 | SKINS, LOWER, FOR CENTRE FUEL TANK AND PILOTS' FLOOR, SUB-ASSEMBLY | - | - | | |
| 2607 | B.182441 | Angle, between frames 28 and 32 | 1 | DTD.610 | MR/C | |
| 7086 | B.182443 | Angle, between frames 28 and 32 | 1 | DTD.610 | MR/C | |
| 2608 | B.182437 | Ceiling, between frames 27 and 28, port | 1 | DTD.610 | MR/C | |
| 2609 | B.182438 | Ceiling, between frames 27 and 28, starboard | 1 | DTD.610 | MR/C | |
| 2610 | D.182430/1 | Diaphragm, forward, port | 1 | DTD.610 | MR/C | |
| 2611 | D.182430/2 | Diaphragm, aft, port | 1 | DTD.610 | MR/C | |
| 7084 | D.182431/1 | Diaphragm, forward, starboard | 1 | DTD.610 | MR/C | |
| 7085 | D.182431/2 | Diaphragm, aft, starboard | 1 | DTD.610 | MR/C | |
| 2612 | D.182430/3 | Floor, forward | 1 | DTD.610 | MR/C | |
| 2613 | D.182430/4 | Floor, aft | 1 | DTD.610 | MR/C | |
| 2614 | B.182439 | Trough, port | 1 | DTD.610 | MR/C | |
| 2615 | B.182440 | Trough, starboard | 1 | DTD.610 | MR/C | |
| | D.180824-5 | SKIN, SUPPORTING, FORWARD FUEL TANK, ASSEMBLY | - | - | | |
| | D.180829 | Skin, supporting centre wall, for front fuel tank, port, group | 1 | - | | |

FUSELAGE—CENTRE PORTION

| Ref. No. | Part No. | Description | No. Off | Material Specification | M.R. Class of Store | Plate No. |
|----------|------------|---|---------|------------------------|---------------------|-----------|
| | | | | | | |
| | D.180830 | Skin, supporting centre wall, for front fuel tank, starboard, group | 1 | — | | |
| 4721 | F.195551 | Angle, attaching hydraulic pipes | 1 | DTD.610 | MR/C | |
| 2616 | D.180829/8 | Angle, for diaphragm, port | 1 | DTD.610 | MR/C | |
| 2617 | D.180830/8 | Angle, for diaphragm, starboard | 1 | DTD.610 | MR/C | |
| 4722 | F.197468 | Bracket, mounting, for transfer pressure switch, balance pipes | 1 | — | MR/C | |
| 2618 | A.180855 | Channel, supporting diaphragm | 1 | Rolled Section | MR/C | |
| 2619 | B.180845 | Diaphragm, bottom, aft | 1 | DTD.610 | MR/C | |
| 8221 | B.215750 | Diaphragm, bottom forward, port (Mod. 138) | 1 | DTD.610 | MR/C | |
| 2621 | B.180844 | Diaphragm, bottom forward, starboard | 1 | DTD.610 | MR/C | |
| 2622 | F.182567 | Plate, reinforcing, bottom portion | 2 | DTD.610 | MR/C | |
| 2623 | A.193269 | Plate, reinforcing, bottom portion | 1 | DTD.610 | MR/C | |
| 2624 | F.192312 | Plate, reinforcing, bottom portion, port | 1 | DTD.610 | MR/C | |
| 2625 | F.192313 | Plate, reinforcing, bottom portion, starboard | 1 | DTD.610 | MR/C | |
| 4211 | Std.1687/2 | Saddle, attaching electrical cables (Port only) | 3 | DTD.610 | C. | 5 |
| 2626 | B.178521 | Stringer "J", nose spar to frame 21, port | 1 | DTD.364 | MR/C | JB.4 |
| 2627 | B.178522 | Stringer "J", nose spar to frame 21, starboard | 1 | DTD.364 | MR/C | JB.4 |
| 2628 | C.178523 | Stringer "J", frame 21 to main spar, port | 1 | DTD.364 | MR/C | JB.4 |
| 2629 | C.178524 | Stringer "J", frame 21 to main spar, starboard | 1 | DTD.364 | MR/C | JB.4 |
| 2630 | C.178641 | Stringer "J", main spar to rear spar, port | 1 | DTD.364 | MR/C | JB.4 |
| 2631 | C.178642 | Stringer "J", main spar to rear spar, starboard | 1 | DTD.364 | MR/C | JB.4 |
| 2632 | D.179961 | Stringer "J", rear spar to frame 40, port | 2 | DTD.364 | MR/C | JB.4 |
| 2634 | D.179963 | Stringer "K", between rear spar and frame 40A, port | 1 | DTD.364 | MR/C | JB.4 |
| 2635 | D.179964 | Stringer "K", between rear spar and frame 40A, starboard | 1 | DTD.364 | MR/C | JB.4 |
| 2636 | B.178525 | Stringer "K", between nose spar and frame 21, port | 1 | DTD.364 | MR/C | JB.4 |
| 2637 | B.178526 | Stringer "K", between nose spar and frame 21, starboard | 1 | DTD.364 | MR/C | JB.4 |
| 2638 | C.178527-8 | Stringer "K", between frame 21 and main spar, port | 2 prs | DTD.364 | MR/C | JB.4 |
| 2640 | C.178643 | Stringer "K", main spar to rear spar | 2 | DTD.364 | MR/C | JB.4 |
| 2641 | D.179965 | Stringer "L", between frames 37 and 40A, port | 1 | DTD.364 | MR/C | JB.4 |
| 2642 | D.179966 | Stringer "L", between frames 37 and 40A, starboard | 1 | DTD.364 | MR/C | JB.4 |
| | D.180831 | STRUCTURE, SUPPORTING, FOR FUEL TANKS, ASSEMBLY | — | — | | |
| 4675 | F.180854 | Bracket | 2 | DTD.364 | MR/C | JB.10 |
| 4676 | C.180832 | Channel | 1 | DTD.610 | MR/C | JB.10 |
| 4677 | C.180833 | Channel | 1 | DTD.610 | MR/C | JB.10 |
| 4678 | C.180834 | Channel | 1 | DTD.610 | MR/C | JB.10 |
| 4679 | C.180835 | Channel | 1 | DTD.610 | MR/C | JB.10 |
| 4680 | B.180846 | Member, inter-costal, port | 1 | — | MR/C | JB.10 |
| 4681 | B.180847 | Member, inter-costal, starboard | 1 | — | MR/C | JB.10 |
| 4682 | A.180848 | Member, inter-costal, frames 21-22, port | 1 | DTD.610 | MR/C | JB.10 |
| 4683 | A.180849 | Member, inter-costal, frames 21-22, starboard | 1 | DTD.610 | MR/C | JB.10 |
| 4684 | A.180850 | Member, inter-costal, frames 22-23, port | 1 | DTD.610 | MR/C | JB.10 |
| 4685 | A.180851 | Member, inter-costal, frames 22-23, starboard | 1 | DTD.610 | MR/C | JB.10 |

FUSELAGE—CENTRE PORTION

| Ref. No. | Part No. | Description | | | | | No. Off | Material Specification | M.R. Class of Store | Plate No. |
|--------------------|--------------------------------|-------------|---|---|---|--|---------|------------------------|---------------------|-----------|
| | | 1 | 2 | 3 | 4 | 5 | | | | |
| 4686 | A.180852 | | | | | Member, inter-costal, frames 23-25, port ... | 1 | DTD.610 | MR/C | JB.10 |
| 4687 | A.180853 | | | | | Member, inter-costal, frames 23-25, starboard ... | 1 | DTD.610 | MR/C | JB.10 |
| 4688 | C.180840 | | | | | Plate, fuel pump mounting ... | 2 | DTD.610 | MR/C | JB.10 |
| 4689 | C.180841 | | | | | Plate, recuperator mounting, port ... | 1 | DTD.610 | MR/C | JB.10 |
| 4690 | C.180842 | | | | | Plate, recuperator mounting, starboard ... | 1 | DTD.610 | MR/C | JB.10 |
| 8431 or 8432 | Chekaleke No. 5 or No. 6 | | | | | Plug ... | 16 | — | C. | |
| 4652 | Std.1299/3 | | | | | Stud, securing guard and clips ... | 21 | S.95.B | C. | 4 |
| | E.200963-4 | | | | | STUB-WING, ASSEMBLY ... | — | — | | |
| | D.182684-5 | | | | | BOUNDARY LAYER DUCT, SUB-ASSEMBLY ... | — | — | | |
| 2643 | B.183782 | | | | | Leading edge section, forward of nose spar, port | 1 | DTD.364 | MR/C | JB.4 |
| 2644 | B.183783 | | | | | Leading edge section, forward of nose spar, starboard | 1 | DTD.364 | MR/C | JB.4 |
| 5712 | A.183784 | | | | | Spacer, at forward end of duct ... | 4 | DTD.364 | MR/C | JB.4 |
| | C.222754-5 | | | | | DUCT, ASSEMBLY (Mod. 535) ... | — | — | | |
| | F.216328 | | | | | Angle, port ... | 1 | L.72 | | |
| | F.216329 | | | | | Angle, starboard ... | 1 | L.72 | | |
| | A.216330 | | | | | Bracket, port ... | 1 | L.72 | | |
| | A.216331 | | | | | Bracket, starboard ... | 1 | L.72 | | |
| | Std.841/39 | | | | | Clip, securing duct ... | 2 | DTD.610 | | |
| | Std.1188/1 | | | | | Clip, securing duct ... | 2 | DTD.610 | | |
| | F.216332 | | | | | Duct ... | 2 | L.67 | | |
| | D.179488 | | | | | Fillet, for wing aft of rear spar, port group | 1 | — | | |
| | D.179489 | | | | | Fillet, for wing aft of rear spar, starboard group ... | 1 | — | | |
| 2645 | B.181497 | | | | | Angle, for seal retaining, top port ... | 1 | DTD.610 | MR/C | JB.2 |
| 2646 | B.181498 | | | | | Angle, for seal retaining, top starboard ... | 1 | DTD.610 | MR/C | JB.2 |
| 2647 | B.181499 | | | | | Angle, for seal retaining, bottom port ... | 1 | DTD.610 | MR/C | JB.2 |
| 2648 | B.181500 | | | | | Angle, for seal retaining, bottom starboard ... | 1 | DTD.610 | MR/C | JB.2 |
| 2649 | A.188212 | | | | | Angle, for seal retaining, top forward, port ... | 1 | DTD.610 | MR/C | JB.2 |
| 2650 | A.188313 | | | | | Angle, for seal retaining, top forward, starboard | 1 | DTD.610 | MR/C | JB.2 |
| 2651 | A.188214 | | | | | Angle, for seal retaining, bottom forward, port | 1 | DTD.610 | MR/C | JB.2 |
| 2652 | A.188215 | | | | | Angle, for seal retaining, bottom forward, starboard | 1 | DTD.610 | MR/C | JB.2 |
| 1027 | D.179488/A | | | | | Fillet, top, removable, port ... | 1 | DTD.610 | B. | JB.1 |
| 1028 | D.179488/B | | | | | Fillet, bottom, forward, removable, port ... | 1 | DTD.610 | B. | JB.1 |
| 1029 | D.179488/C | | | | | Fillet, bottom, aft, removable, port ... | 1 | DTD.610 | B. | JB.1 |
| 1030 | D.179489/A | | | | | Fillet, top, removable, starboard ... | 1 | DTD.610 | B. | JB.1 |
| 1031 | D.179489/B | | | | | Fillet, bottom, forward, removable, starboard ... | 1 | DTD.610 | B. | JB.1 |
| 1032 | D.179489/C | | | | | Fillet, bottom, aft, removable, starboard ... | 1 | DTD.610 | B. | JB.1 |
| | C.190330 | | | | | PANEL, ACCESS FOR HYDRAULIC RESERVOIR, SUB-ASSEMBLY | — | — | | |
| | B.190332 | | | | | Landing, group ... | 1 | DTD.610 | | |
| 28FP/341 | Dzus S.5.325 | | | | | Spring ... | 1 | — | C. | |
| 3762 | Std.915/A/18 | | | | | Washer ... | 1 | DTD.610 | MR/C | 4 |
| 1033 | B.190331 | | | | | Panel, group ... | 1 | DTD.610 | C. | JB.1 |
| 28FP/617 | Dzus EF5/45B | | | | | Fastener ... | 3 | — | C. | |

FUSELAGE—CENTRE PORTION

| Ref. No. | Part No. | Description | | | | | No. Off | Material Specification | M.R. Class of Score | Plate No. |
|----------|-----------------|-------------|---|---|--|-----|-----------------|------------------------|---------------------|-----------|
| | | 1 | 2 | 3 | 4 | 5 | | | | |
| 2653 | F.181992 | | | | Plate, nut, at rear spar | 2 | S.3 | MR/C | | |
| | C.181538 | | | | Plate, for rubber seal retaining, port ... | 1 | DTD.610 | | | |
| | C.181539 | | | | Plate, for rubber seal retaining, starboard | 1 | DTD.610 | | | |
| 1706 | Std.1703/6C | | | | Screw | 130 | S.95.B. | C. | 5 | |
| 6752 | Std.1703/9C | | | | Screw | 2 | S.95.B. | C. | 5 | |
| 2654 | A.182036 | | | | Trailing edge | 2 | L.33, L.51 | MR/C | JB.1 | |
| | | | | | or L.1 | | | | | |
| 2655 | C.180004 | | | | Member, top, at leading edge, port | 1 | DTD.610 | MR/C | JB.2 | |
| 2656 | C.180005 | | | | Member, top, at leading edge, starboard ... | 1 | DTD.610 | MR/C | JB.2 | |
| 2657 | C.180006 | | | | Member, bottom, at leading edge, port ... | 1 | DTD.610 | MR/C | JB.2 | |
| 2658 | C.180007 | | | | Member, bottom, at leading edge, starboard | 1 | DTD.610 | MR/C | JB.2 | |
| 2659 | C.178820 | | | | Mounting, for undercarriage wheel door hinge, port | 1 | — | MR/C | JB.2 | |
| 2660 | C.178821 | | | | Mounting, for undercarriage wheel door hinge, starboard | 1 | — | MR/C | JB.2 | |
| 2661 | C.180008 | | | | Rib, No. 1, at leading edge, top, port | 1 | DTD.610 | MR/B | JB.2 | |
| 2662 | C.180009 | | | | Rib, No. 1, at leading edge, top, starboard | 1 | DTD.610 | MR/B | JB.2 | |
| 2663 | B.180010 | | | | Rib, No. 2, at leading edge, top, port (Pre-Mod. 535) | 1 | DTD.610 | MR/B | | |
| | B.222750 | | | | Rib, No. 2, at leading edge, top, port (Mod. 535) | 1 | DTD.610 | — | JB.2 | |
| 2664 | B.180011 | | | | Rib, No. 2, at leading edge, top, starboard (Pre-Mod. 535) | 1 | DTD.610 | MR/B | | |
| | B.222751 | | | | Rib, No. 2, at leading edge, top, starboard (Mod. 535) | 1 | DTD.610 | — | JB.2 | |
| 2665 | B.180012 | | | | Rib, No. 3, at leading edge, top, port | 1 | DTD.610 | MR/B | JB.2 | |
| 2666 | B.180013 | | | | Rib, No. 3, at leading edge, top, starboard | 1 | DTD.610 | MR/B | JB.2 | |
| 2667 | B.180014 | | | | Rib, No. 1, at leading edge, bottom, starboard | 1 | DTD.610 | MR/B | JB.2 | |
| 2668 | B.180015 | | | | Rib, No. 1, at leading edge, bottom, port ... | 1 | DTD.610 | MR/B | JB.2 | |
| 2669 | B.180016 | | | | Rib, No. 2, at leading edge, bottom, port ... | 1 | DTD.610 | MR/B | JB.2 | |
| 2670 | B.180017 | | | | Rib, No. 2, at leading edge, bottom, starboard | 1 | DTD.610 | MR/B | JB.2 | |
| 2671 | B.180018 | | | | Rib, No. 3, at leading edge, bottom, port ... | 1 | DTD.610 | MR/B | | |
| 2672 | B.180019 | | | | Rib, No. 3, at leading edge, bottom, starboard | 1 | DTD.610 | MR/B | | |
| 2673 | B.180020 | | | | Rib, outboard, at leading edge | 1 | DTD.610 | MR/B | JB.2 | |
| 2674 | B.180021 | | | | Rib, outboard, at leading edge | 1 | DTD.610 | MR/B | JB.2 | |
| | D.196440-1 | | | | SEALING, BETWEEN STUB-WING AND WING SUB-ASSEMBLY | — | — | | | |
| 3847 | A.196439 | | | | Pad, sealing, at trailing edge | 2 | Volcrepe T.L.S. | C. | JB.2 | |
| 3848 | A.196438 | | | | Strip, sealing, at leading edge | 2 | Volcrepe T.L.S. | C. | JB.2 | |
| — | — | | | | Strip, sealing, 1" wide x $\frac{3}{16}$ " thick ... (D.196440/1 to 5, and D.196441/1) (Make from 32C/660) | 30' | Volcrepe | — | | |
| 4023 | Std.1509/12/018 | | | | Tube, distance, $\frac{1}{4}$ " o/d x 20 s.w.g. x 0.18" long (Make from 30B/619) | 6 | T.4 | MR/C | 4 | |
| | D.200965-6 | | | | SKIN, COVERING, ASSEMBLY | — | — | | | |
| 3852 | A.195904 | | | | Door, access, to hydraulic connections ... | 2 | DTD.610 | C. | JB.1 | |
| 7875 | C.216760 | | | | Fairing, outboard, port (undrilled) | 1 | DTD.610 | B. | JB.1 | |
| 7876 | C.216761 | | | | Fairing, outboard, starboard (undrilled) | 1 | DTD.610 | B. | JB.1 | |
| 2676 | B.192636 | | | | Landing, forward, for stub-wing access panel, port | 1 | DTD.610 | MR/C | JB.4 | |
| 2677 | B.192637 | | | | Landing, forward, for stub-wing access panel, starboard | 1 | DTD.610 | MR/C | JB.4 | |
| 2678 | B.192640 | | | | Landing, aft, for stub-wing access panel, port | 1 | DTD.610 | MR/C | JB.4 | |
| 2679 | B.192641 | | | | Landing, aft, for stub-wing access panel, starboard | 1 | DTD.610 | MR/C | JB.4 | |
| 2680 | B.192638 | | | | Landing, inboard, for stub-wing access panel, port | 1 | DTD.610 | MR/C | JB.4 | |
| 2681 | B.192639 | | | | Landing, inboard, for stub-wing access panel, starboard | 1 | DTD.610 | MR/C | JB.4 | |

FUSELAGE—CENTRE PORTION

| Ref. No. | Part No. | Description | | | | | No. Off. | Material Specification | M.R. Class of Store | Plate No. |
|----------|----------------|-------------|---|---|---|---|----------|------------------------|---------------------|-----------|
| | | 1 | 2 | 3 | 4 | 5 | | | | |
| 4016 | A.195903 | | | | | Landing, for hydraulic connection access door | 2 | DTD.610 | MR/C | JB.4 |
| 1821 | C.182596 | | | | | Nosing, top, port | 1 | — | B. | JB.1 |
| 1822 | C.182597 | | | | | Nosing, top, starboard | 1 | — | B. | JB.1 |
| 1823 | C.182598 | | | | | Nosing, bottom, port | 1 | — | B. | JB.1 |
| 1824 | C.182599 | | | | | Nosing, bottom, starboard | 1 | — | B. | JB.1 |
| 1038 | D.188722 | | | | | Panel, access, for pin joint at main spar, top, port | 1 | DTD.610 | B. | JB.1 |
| 1039 | D.188723 | | | | | Panel, access, for pin joint at main spar, top, starboard | 1 | DTD.610 | B. | JB.1 |
| 5818 | C.200861 | | | | | Panel, access to pressure relief valve, port | 1 | L.72 | C. | |
| 5819 | C.200862 | | | | | Panel, access to pressure relief valve, starboard | 1 | L.72 | C. | |
| 4723 | F.199630 | | | | | Panel, access to undercarriage hydraulic connection | 2 | — | MR/C | |
| 1040 | D.188724 | | | | | Panel, access, for pin joint at main spar, bottom, port | 1 | DTD.610 | B. | JB.1 |
| 1041 | D.188725 | | | | | Panel, access, for pin joint at main spar, bottom, starboard | 1 | DTD.610 | B. | JB.1 |
| 7839 | D.211964 | | | | | Panel, access, on underside of stub-wing, port, group (Mod. 229) | 1 | DTD.610 | B. | JB.1 |
| 7988 | B.211962 | | | | | Door, access to armament safety plug, group | 1 | — | C. | JB.1 |
| | Fairey FS430/E | | | | | Fastener, type 3 | 1 | — | | |
| | F.211961 | | | | | Packing | 2 | L.72 | | |
| | C.222752-3 | | | | | PANEL, ACCESS TO STUB-WING, ASSEMBLY (Mod. 535) | — | — | | |
| 9418 | B.216139 | | | | | Panel, access, port | 1 | — | C. | |
| 9419 | B.216140 | | | | | Panel, access, starboard | 1 | — | C. | |
| 1781 | D.192980 | | | | | Panel, access, on underside of stub-wing, starboard, group | 1 | DTD.610 | B. | JB.5 |
| 4724 | A.199629 | | | | | Plate, reinforcing, for undercarriage hydraulic connections | 2 | DTD.610 | MR/C | |
| 4725 | F.196550 | | | | | Retainer, for sealing, port | 2 | DTD.610 | MR/C | |
| 4726 | F.196551 | | | | | Retainer, for sealing, starboard | 2 | DTD.610 | MR/C | |
| 1807 | D.182688/1 | | | | | Skin, top, nose spar to main spar, inboard, port (supplied flat) | 1 | DTD.610 | B. | JB.1 |
| 1808† | D.182688/2 | | | | | Skin, top, nose spar to main spar, outboard, port (Pre-Mod. 508) | 1 | DTD.610 | B. | |
| | D.182688/22 | | | | | Skin, top, nose spar to main spar, outboard, port (Mod. 508) | 1 | DTD.610 | — | JB.1 |
| 1809 | D.182688/3 | | | | | Skin, forward of nose spar, top, port | 1 | DTD.610 | B. | JB.1 |
| 1810 | D.182688/4 | | | | | Skin, forward of nose spar, top, port (Pre-Mod. 535) | 1 | DTD.610 | B. | |
| | D.200965/2 | | | | | Skin, top, port (Mod. 535) | 1 | L.72 | — | JB.1 |
| 1811 | D.182688/5 | | | | | Skin, forward of nose spar, top, port | 1 | DTD.610 | B. | JB.1 |
| 1812† | D.182688/6 | | | | | Skin, top, aft of main spar, port | 1 | DTD.610 | B. | JB.1 |
| 2682 | D.182688/9 | | | | | Skin, forward of nose spar, bottom port | 1 | DTD.610 | MR/B | JB.1 |
| 2683 | D.182688/10 | | | | | Skin, forward of nose spar, bottom port | 1 | DTD.610 | MR/B | JB.1 |
| 2684 | D.182688/11 | | | | | Skin, forward of nose spar, bottom port | 1 | DTD.610 | MR/B | JB.1 |
| 1813† | D.182688/15 | | | | | Skin, bottom, inboard of wheel door, port | 1 | DTD.610 | B. | JB.1 |
| | D.182688/23 | | | | | Skin, bottom, outboard, rear of nose spar, port (Mod. 508) | 1 | DTD.610 | | |
| | D.182689/1 | | | | | Skin, top, nose spar to main spar, inboard, starboard (Use 26FX/1807) | 1 | DTD.610 | — | JB.1 |

FUSELAGE—CENTRE PORTION

| Ref. No. | Part No. | Description | | | | | No. Off. | Material Specification | M.R. Class of Store | Plate No. |
|----------|-------------|-------------|---|---|---|--|----------|------------------------|---------------------|-----------|
| | | 1 | 2 | 3 | 4 | 5 | | | | |
| 1815 | D.182689/2 | | | | | Skin, top, nose spar to main spar, outboard, starboard (Pre-Mod. 508) | 1 | DTD.610 | B. | |
| | D.182689/22 | | | | | Skin, top, nose spar to main spar (Mod. 508) | 1 | DTD.610 | — | JB.1 |
| 1816 | D.182689/3 | | | | | Skin, forward of nose spar, top, starboard ... | 1 | DTD.610 | B. | JB.1 |
| 1817 | D.182689/4 | | | | | Skin, forward of nose spar, top, starboard (Pre-Mod. 535) | 1 | DTD.610 | B. | JB.1 |
| | D.200966/2 | | | | | Skin, top, starboard (Mod. 535) ... | 1 | L.72 | | |
| 1818 | D.182689/5 | | | | | Skin, forward of nose spar, top, starboard ... | 1 | DTD.610 | B. | JB.1 |
| 1819 | D.182689/6 | | | | | Skin, top, aft of main spar, starboard ... | 1 | DTD.610 | B. | |
| 2685 | D.182689/9 | | | | | Skin, forward of nose spar, bottom, starboard | 1 | DTD.610 | MR/B | JB.1 |
| 2686 | D.182689/10 | | | | | Skin, forward of nose spar, bottom, starboard | 1 | DTD.610 | MR/B | JB.1 |
| 2687 | D.182689/11 | | | | | Skin, forward of nose spar, bottom, starboard | 1 | DTD.610 | MR/B | JB.1 |
| 1820 | D.182689/15 | | | | | Skin, bottom, inboard of wheel door, starboard | 1 | DTD.610 | B. | JB.1 |
| | D.182689/23 | | | | | Skin, bottom, outboard, rear of nose spar, starboard (Mod. 508) | 1 | DTD.610 | | |
| | D.185971-2 | | | | | SLOTS, FOR AIR INTAKE AT NOSE SPAR, PORT, SUB-ASSEMBLY (Pre-Mod. 508) | — | — | | |
| 1034 | C.187061 | | | | | Door, top, group (Pre-Mod. 508) ... | 2 | DTD.610 | B. | JB.1 |
| | — | | | | | Pin, for hinge (AS.1880) ... | 1 | — | | |
| 1035 | A.187071 | | | | | Spring ... | 2 | Sp. St. | C. | |
| 1036 | C.187063 | | | | | Door, bottom, port, group (Pre-Mod. 508) | 1 | DTD.610 | B. | JB.1 |
| | — | | | | | Pin, for hinge (AS.1880) ... | 1 | — | | |
| 1035 | A.187071 | | | | | Spring ... | 2 | Sp. St. | C. | |
| 1037 | C.187064 | | | | | Door, bottom, starboard, group (Pre-Mod. 508) | 1 | DTD.610 | B. | JB.1 |
| | — | | | | | Pin, for hinge (AS.1880) ... | 1 | — | | |
| 1035 | A.187071 | | | | | Spring ... | 2 | Sp. St. | C. | |
| | E.182686-7 | | | | | SKIN COVERING, AIR INTAKE ASSEMBLY ... | — | — | | |
| | C.222756-7 | | | | | MOUNTING, FOR DME AERIAL, ASSEMBLY (Mod. 535) | — | — | | |
| | F.216141 | | | | | Bracket, for eye bolt ... | 4 | S.96.B | | |
| | F.217474 | | | | | Bracket ... | 2 | L.72 | | |
| | F.216142 | | | | | Eyebolt ... | 4 | S.96.B | | |

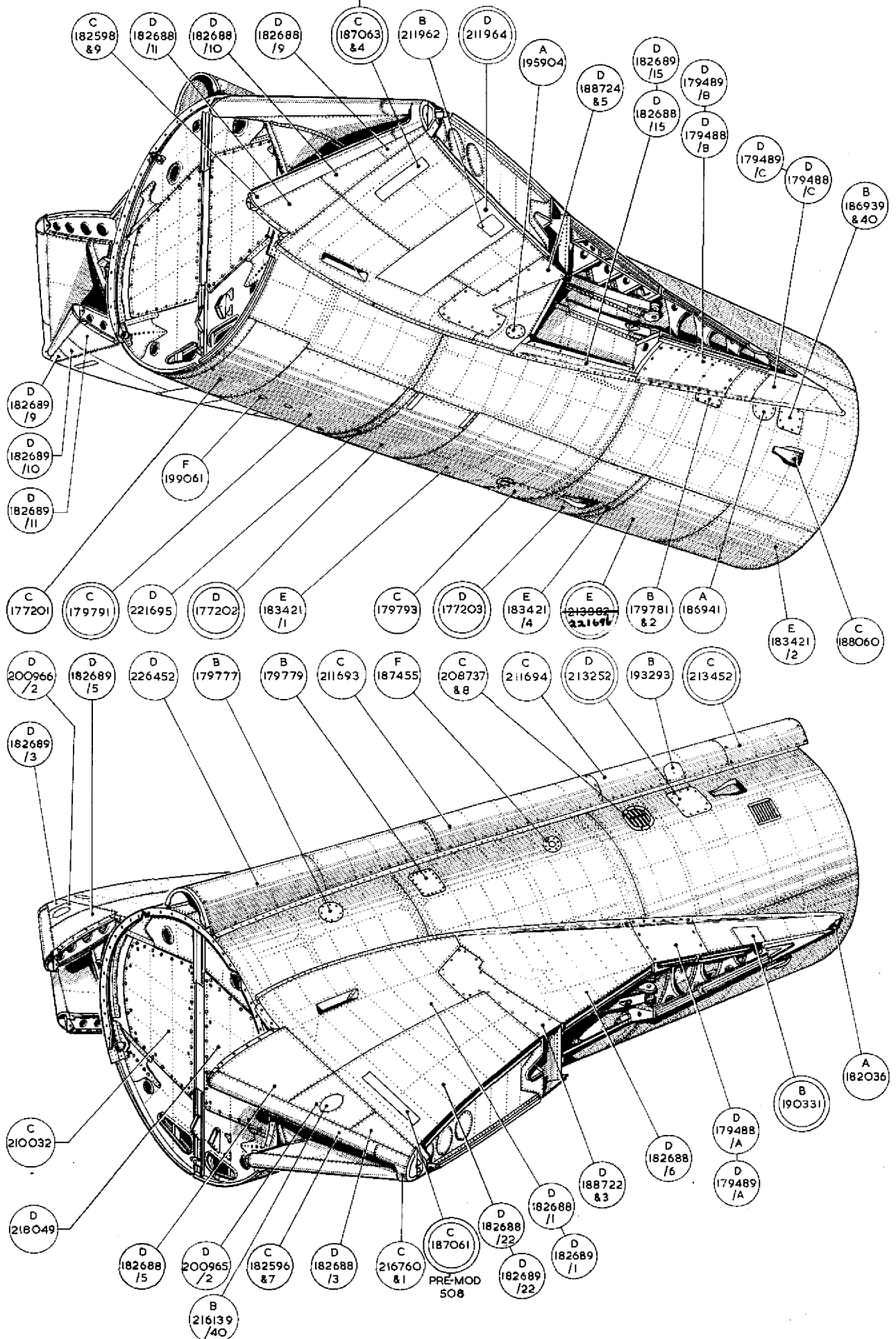
FUSELAGE—CENTRE PORTION

| Ref. No. | Part No. | Description | | | | | No. Off | Material Specification | M.R. Class of Store | Plate No. |
|-------------------------------|-------------|-------------------|---|---|---|---|---------|------------------------|---------------------|-----------|
| | | 1 | 2 | 3 | 4 | 5 | | | | |
| SUMMARY OF STOCK ITEMS | | | | | | | | | | |
| 28D/13868 | A25.1.B | Bolt | | | | | | | | |
| 28D/12528 | A25.1.B | Bolt, 4 B.A. | | | | | | | | |
| 28D/14194 | A25.1.C | Bolt | | | | | | | | |
| 28D/12512 | A25.1.C | Bolt, 2 B.A. | | | | | | | | |
| 28D/12513 | A25.2.C | Bolt, 2 B.A. | | | | | | | | |
| 28D/12531 | A25.3.C | Bolt, 2 B.A. | | | | | | | | |
| 28D/12532 | A25.4.C | Bolt, 2 B.A. | | | | | | | | |
| 28D/12566 | A25.6.C | Bolt, 2 B.A. | | | | | | | | |
| 28D/12514 | A25.7.C | Bolt, 2 B.A. | | | | | | | | |
| 28D/12629 | A25.8.C | Bolt, 2 B.A. | | | | | | | | |
| 28D/12536 | A25.13.C | Bolt, 2 B.A. | | | | | | | | |
| 28D/12537 | A25.14.C | Bolt, 2 B.A. | | | | | | | | |
| 28D/12538 | A25.15.C | Bolt, 2 B.A. | | | | | | | | |
| 28D/12630 | A25.19.C | Bolt, 2 B.A. | | | | | | | | |
| 28D/12519 | A25.3.E | Bolt, 1/4" B.S.F. | | | | | | | | |
| 28D/12633 | A25.7.E | Bolt, 1/4" B.S.F. | | | | | | | | |
| 28D/12716 | A25.16.E | Bolt, 1/4" B.S.F. | | | | | | | | |
| 28D/12548 | A25.17.E | Bolt, 1/4" B.S.F. | | | | | | | | |
| 28D/12634 | A25.18.E | Bolt, 1/4" B.S.F. | | | | | | | | |
| 28D/13100 | A30.5.E | Bolt, 1/4" B.S.F. | | | | | | | | |
| 28D/13046 | A25.19.E | Bolt, 1/4" B.S.F. | | | | | | | | |
| 28D/13262 | A30.6.E | Bolt, 1/4" B.S.F. | | | | | | | | |
| 28D/14434 | A25.31.G | Bolt, 3/8" B.S.F. | | | | | | | | |
| 28D/13473 | A30.8.J | Bolt, 3/8" B.S.F. | | | | | | | | |
| 28D/13070 | A25.38.G | Bolt, 3/8" B.S.F. | | | | | | | | |
| 28D/13369 | A30.9.J | Bolt, 3/8" B.S.F. | | | | | | | | |
| 28D/15068 | A57.2.E | Bolt, 1/2" B.S.F. | | | | | | | | |
| 28D/13445 | A30.11.J | Bolt, 1/2" B.S.F. | | | | | | | | |
| 28D/12179 | AGS.571/505 | Bolt, 3/8" B.S.F. | | | | | | | | |
| 28D/13101 | A30.12.J | Bolt, 3/8" B.S.F. | | | | | | | | |
| 28D/15069 | A57.18.G | Bolt, 3/8" B.S.F. | | | | | | | | |
| 28D/15070 | A57.25.G | Bolt, 3/8" B.S.F. | | | | | | | | |
| 28D/8300 | AS.1242.1B | Bolt | | | | | | | | |
| 28D/8303 | AS.1242.4B | Bolt, 4 B.A. | | | | | | | | |
| 28D/8304 | AS.1242.6B | Bolt | | | | | | | | |
| 28D/8306 | AS.1242.1C | Bolt, 2 B.A. | | | | | | | | |
| 28D/8307 | AS.1242.2C | Bolt, 2 B.A. | | | | | | | | |
| 28D/8308 | AS.1242.3C | Bolt, 2 B.A. | | | | | | | | |
| 28D/8311 | AS.1242.7C | Bolt, 2 B.A. | | | | | | | | |
| 28D/8324 | AS.1242.3E | Bolt, 1/2" B.S.F. | | | | | | | | |
| 28D/12124 | AS.1242.19E | Bolt, 1/2" B.S.F. | | | | | | | | |
| 28D/12052 | AS.1242.20E | Bolt, 1/2" B.S.F. | | | | | | | | |
| 28D/10764 | AS.1248.1B | Bolt, 4 B.A. | | | | | | | | |
| 28D/9353 | AS.1248.1C | Bolt, 2 B.A. | | | | | | | | |
| 28D/8341 | AS.1248.1C | Bolt, 2 B.A. | | | | | | | | |
| 28D/8342 | AS.1248.2C | Bolt, 2 B.A. | | | | | | | | |
| 28D/12478 | AS.1248.19C | Bolt, 2 B.A. | | | | | | | | |
| 28E/10027 | AS.2295/1 | Clip | | | | | | | | |
| 28M/13271 | A24.E.P. | Nut, 1/4" B.S.F. | | | | | | | | |
| 28M/13273 | A24.J.P. | Nut, 3/8" B.S.F. | | | | | | | | |
| 28M/14438 | A24.L.P. | Nut, 3/8" B.S.F. | | | | | | | | |
| 28L/13140 | A27.B.T. | Nut, 4 B.A. | | | | | | | | |
| 28M/12929 | A27.C.P. | Nut, 2 B.A. | | | | | | | | |
| 28L/13124 | A27.C.T. | Nut, 2 B.A. | | | | | | | | |
| 28M/12928 | A27.E.P. | Nut, 1/4" B.S.F. | | | | | | | | |
| 28L/12931 | A27.E.T. | Nut, 1/4" B.S.F. | | | | | | | | |

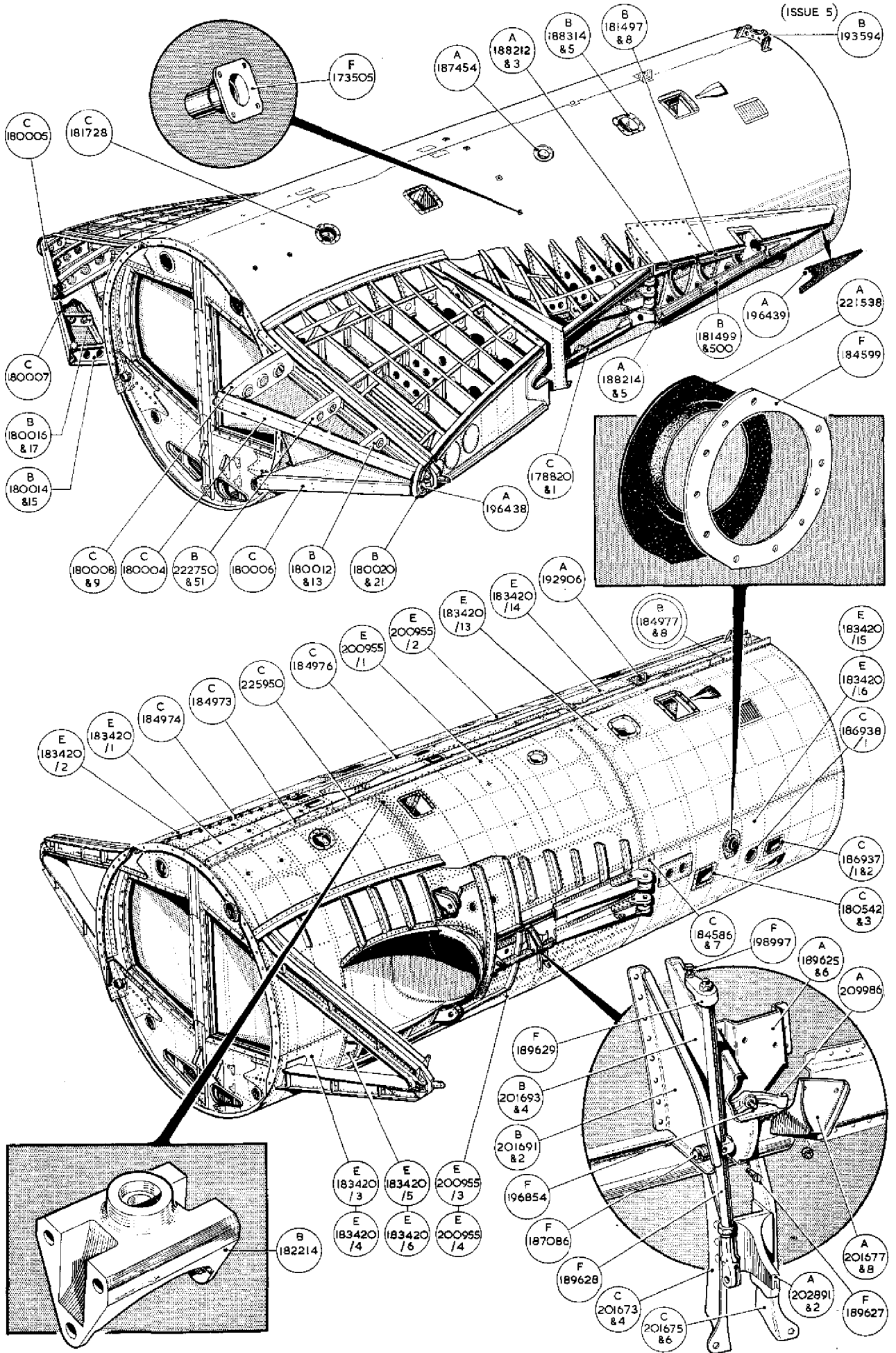
FUSELAGE—CENTRE PORTION

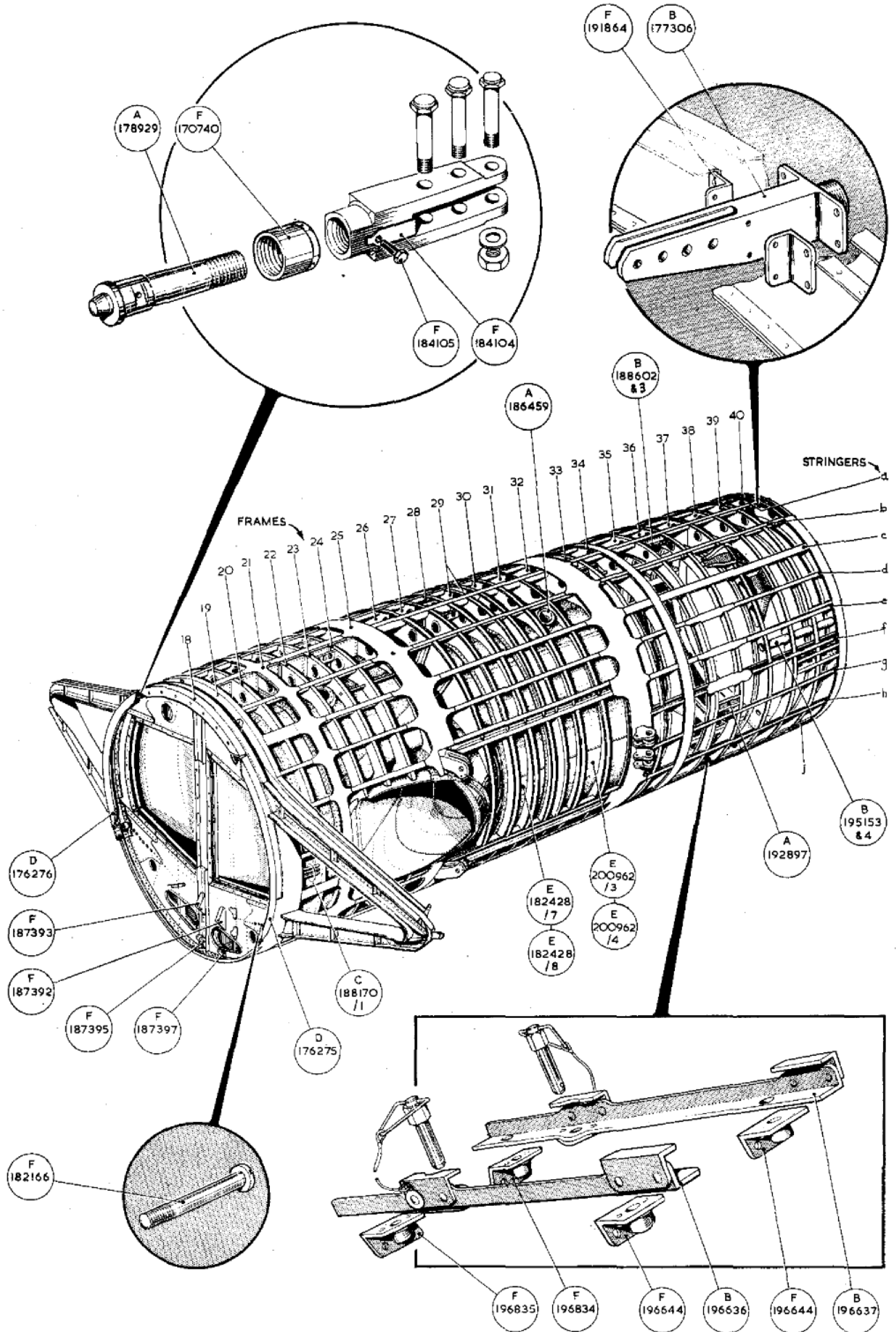
| Ref. No. | Part No. | Description | | | | | No. Off | Material Specification | M.R. Class of Score | Plate No. |
|-------------|--------------|-------------|-----------------------|--------|-----|---|---------|------------------------|---------------------|-----------|
| | | 1 | 2 | 3 | 4 | 5 | | | | |
| 28M/13375 | A27.G.P. | Nut, | $\frac{1}{8}$ " | B.S.F. | ... | - | - | - | | |
| 28M/13827 | A27.N.P. | Nut, | $\frac{3}{8}$ " | B.S.F. | ... | - | - | - | | |
| 28L/13244 | A27.P.T. | Nut, | $\frac{1}{2}$ " | B.S.F. | ... | - | - | - | | |
| 28M/13403 | AGS.572.A.P. | Nut, | $\frac{1}{2}$ " | B.S.F. | ... | - | - | - | | |
| 28M/13439 | AGS.572.C.P. | Nut, | $\frac{7}{8}$ " | B.S.F. | ... | - | - | - | | |
| 28M/14440 | A58.J.T. | Nut, | $\frac{3}{4}$ " | B.S.F. | ... | - | - | - | | |
| 28M/10287 | AGS.2001/B1 | Nut, | 4 B.A. | ... | ... | - | - | - | | |
| 28M/10288 | AGS.2001/C1 | Nut, | 2 B.A. | ... | ... | - | - | - | | |
| 28M/11957 | AGS.2007/C1 | Nut, | 2 B.A. | ... | ... | - | - | - | | |
| 28M/9999 | AGS.2012/C11 | Nut, | 2 B.A. | ... | ... | - | - | - | | |
| 28M/10327 | AGS.2002.B1 | Nut | ... | ... | ... | - | - | - | | |
| 28M/10240 | AGS.2013/C11 | Nut, | 2 B.A. | ... | ... | - | - | - | | |
| 28M/10328 | AGS.2002.C1 | Nut | ... | ... | ... | - | - | - | | |
| 28M/12421 | AGS.2018/C1 | Nut, | 2 B.A. | ... | ... | - | - | - | | |
| 28M/802 | AGS.113C | Nut, | wing | ... | ... | - | - | - | | |
| 28M/13279 | AGS.2019/C1 | Nut, | 2 B.A. | ... | ... | - | - | - | | |
| 28P/818 | SP.4Y.A8 | Pin | ... | ... | ... | - | - | - | | |
| 28P/830 | SP.4Y.B4 | Pin | ... | ... | ... | - | - | - | | |
| 28S/13887 | A32.B10 | Screw, | 4 B.A. | ... | ... | - | - | - | | |
| 28S/2857 | A32.B12 | Screw, | 4 B.A. | ... | ... | - | - | - | | |
| 28W/9419402 | SP.13.C | Washer, | 2 B.A. | ... | ... | - | - | - | | |
| 28W/9419474 | SP.15.B | Washer, | 4 B.A. | ... | ... | - | - | - | | |
| 28W/9419475 | SP.15.C | Washer, | 2 B.A. | ... | ... | - | - | - | | |
| 28W/9419405 | SP.15.E | Washer, | $\frac{1}{2}$ " dia. | ... | ... | - | - | - | | |
| 28W/9419476 | SP.15.G | Washer, | $\frac{3}{8}$ " dia. | ... | ... | - | - | - | | |
| 28W/9419477 | SP.15.J | Washer, | $\frac{1}{2}$ " dia. | ... | ... | - | - | - | | |
| 28W/9419478 | SP.15.L | Washer, | $\frac{3}{16}$ " dia. | ... | ... | - | - | - | | |
| 28W/9419479 | SP.15.N | Washer, | $\frac{1}{2}$ " dia. | ... | ... | - | - | - | | |
| 28W/9419404 | SP.16.C | Washer, | 2 B.A. | ... | ... | - | - | - | | |
| 28W/9419487 | SP.16.E | Washer, | $\frac{1}{2}$ " dia. | ... | ... | - | - | - | | |
| 28W/9419488 | SP.16.G | Washer, | $\frac{3}{8}$ " dia. | ... | ... | - | - | - | | |
| 28W/9419489 | SP.16.J | Washer, | $\frac{3}{8}$ " dia. | ... | ... | - | - | - | | |
| 28W/9419493 | SP.16.Q | Washer, | $\frac{3}{8}$ " dia. | ... | ... | - | - | - | | |
| 28W/3097 | AGS.162/B | Washer, | 4 B.A. | ... | ... | - | - | - | | |

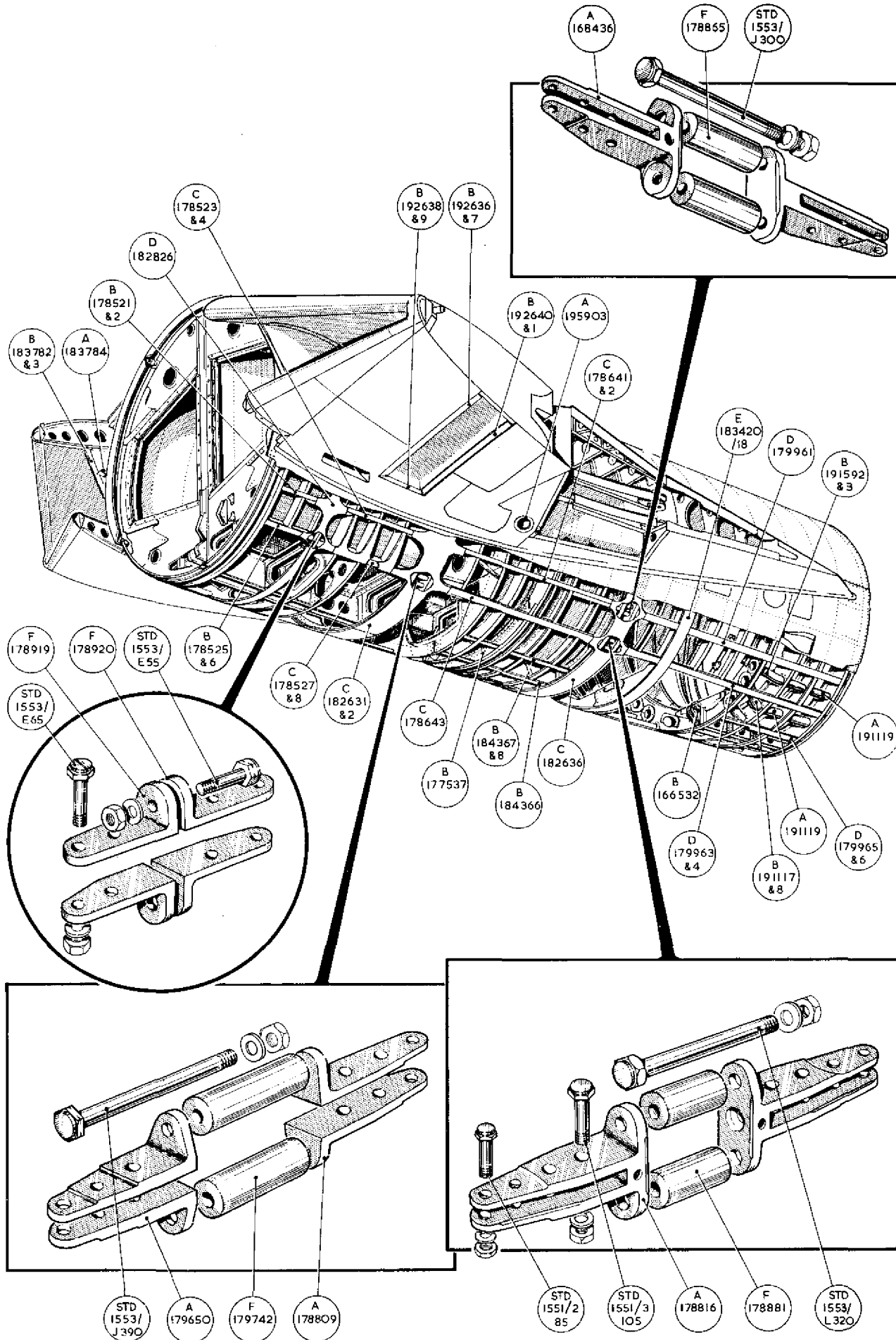
PRE-MOD. 508

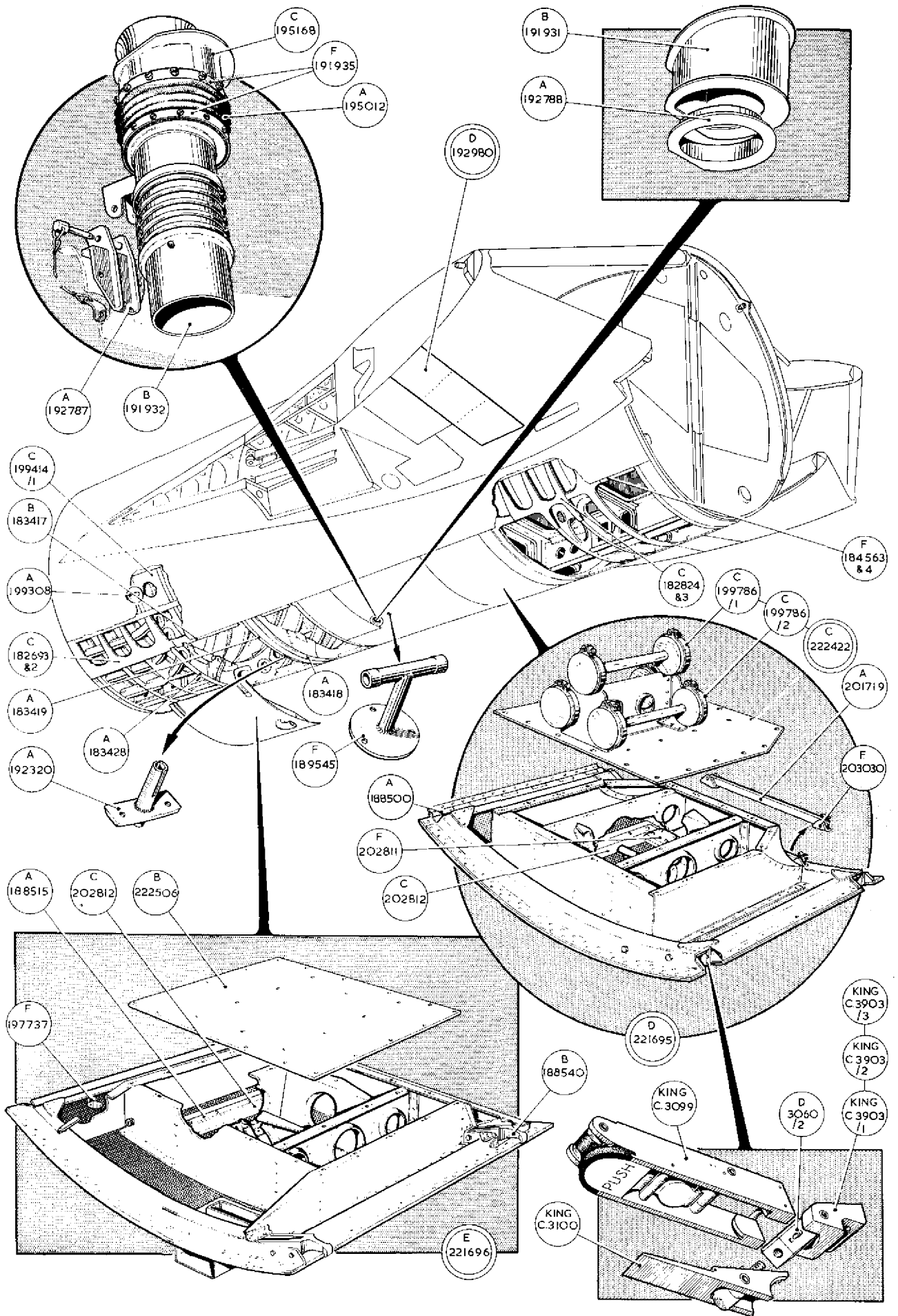


CENTRE FUSELAGE

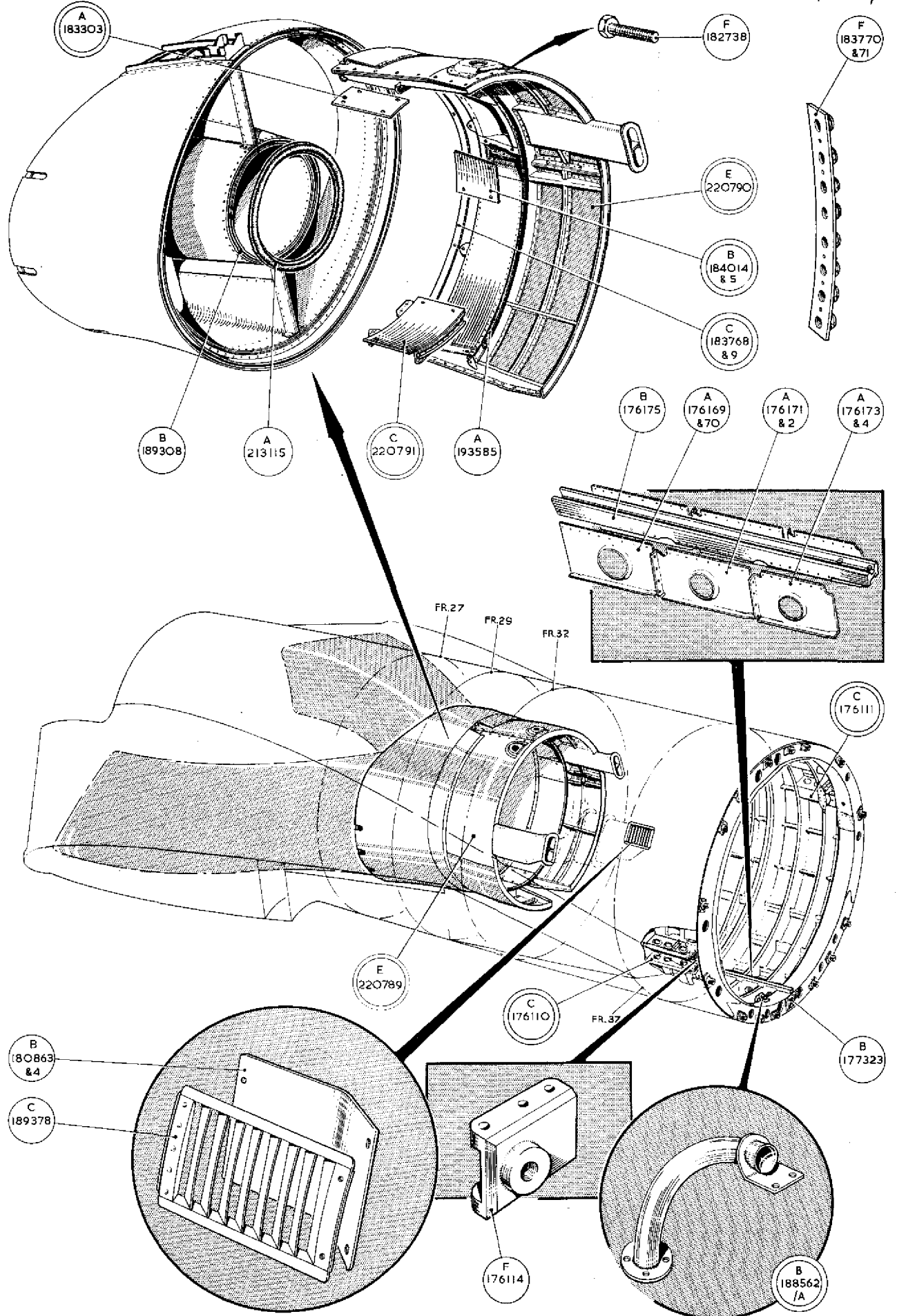


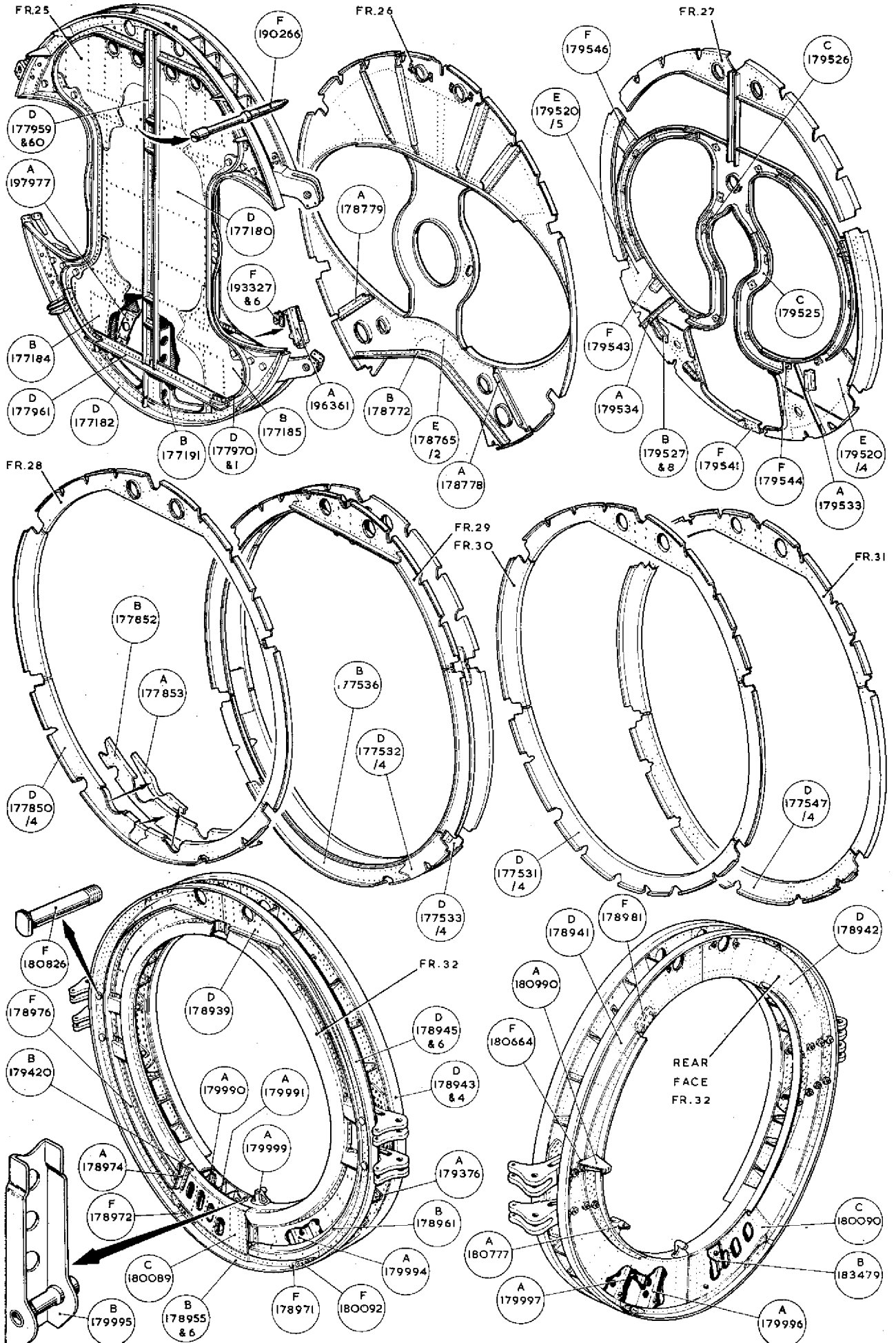


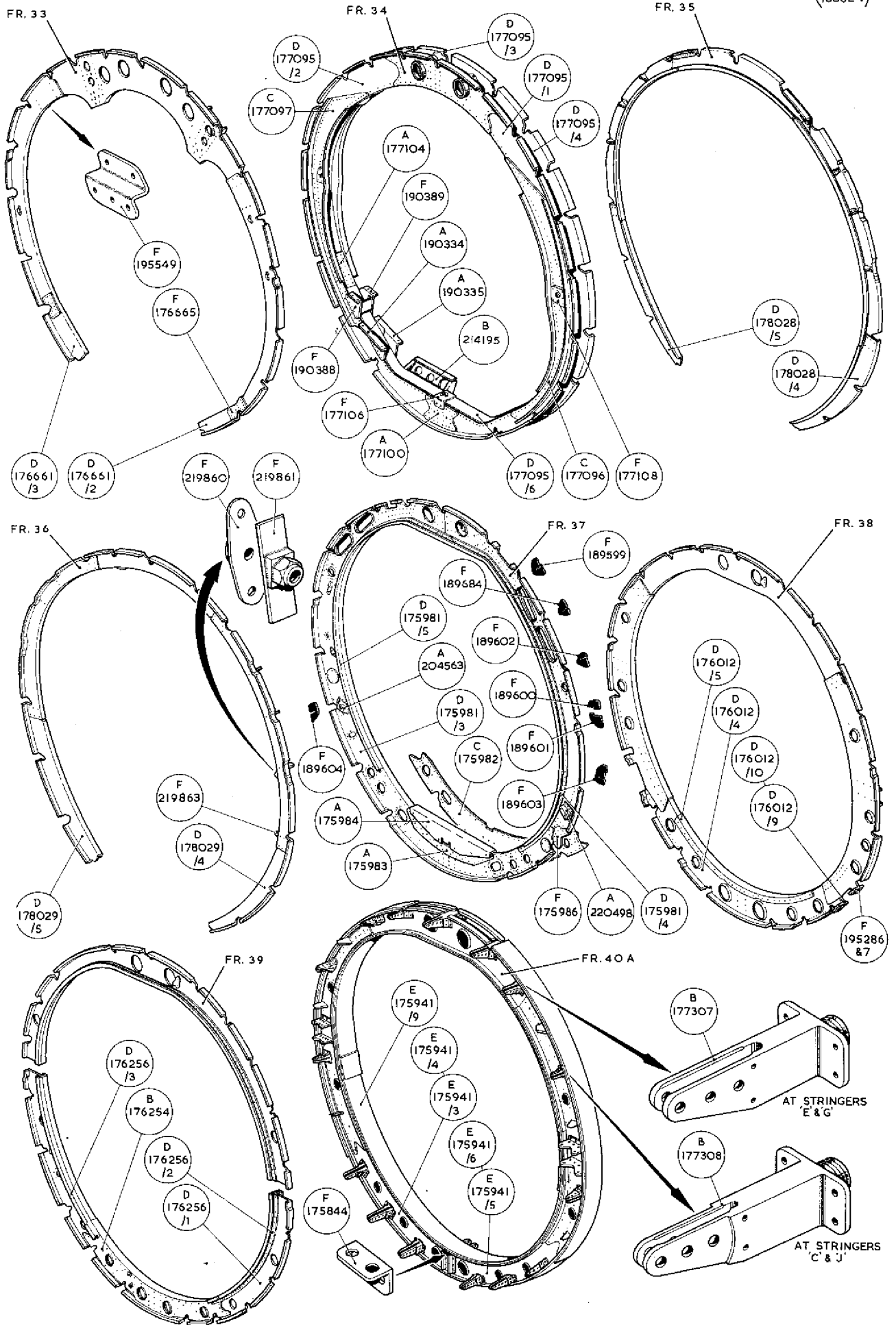




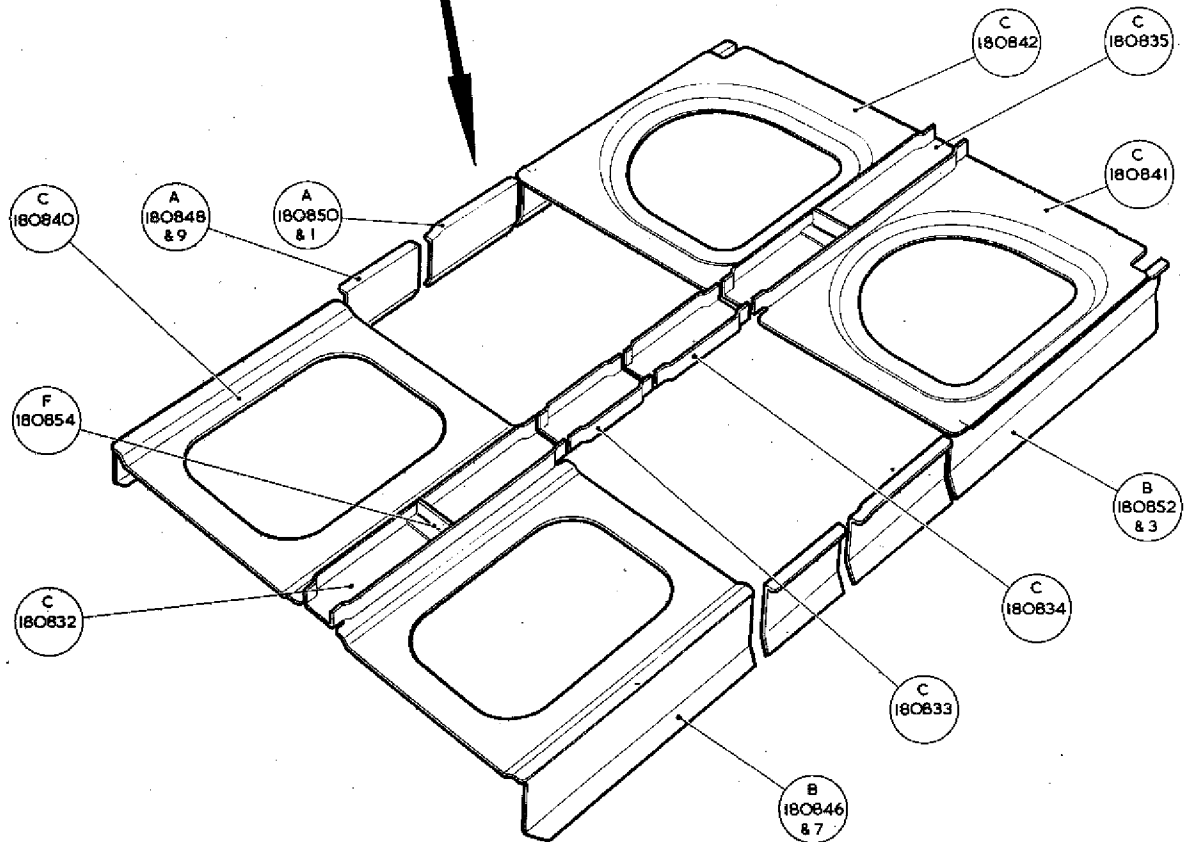
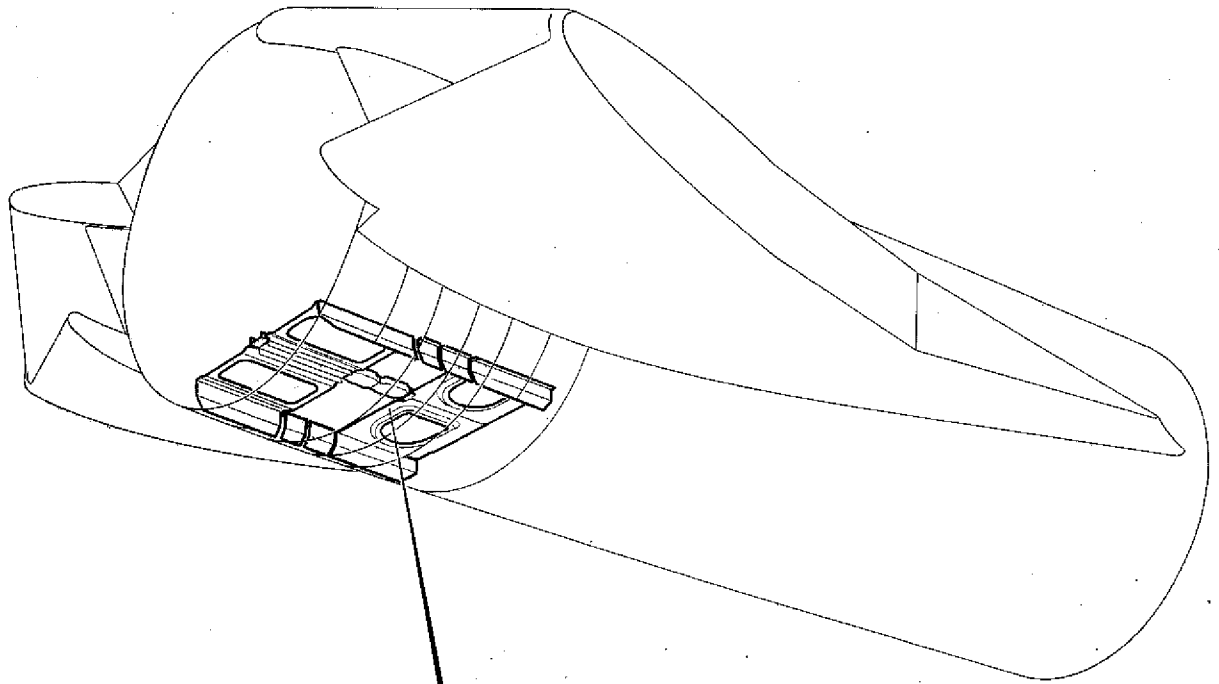
CENTRE FUSELAGE







CENTRE FUSELAGE



CENTRE FUSELAGE

This file was downloaded
from the RTFM Library.

Link: www.scottbouch.com/rtfm

Please see site for usage terms,
and more aircraft documents.

