

FUSELAGE—FRONT PORTION

Ref. No.	Part No.	Description	No. Off	Material Specification	M.R. Class of Store	Plate No.
		<b>FRONT FUSELAGE STRUCTURE, ASSEMBLY ... ..</b>	<b>1</b>	<b>—</b>		
5807	E.205989	Bracket, support, on frame 16 for circuit breaker angles	1	S.3	C.	
	F.204432	<b>DECKING, FRONT, ASSEMBLY ... ..</b>	<b>—</b>	<b>—</b>		
	D.184651	Angle, frame 7, windscreen platform support, port	1	DTD.610		
	F.184657	Angle, frame 7, windscreen platform support, starboard	1	DTD.610		
	F.184658	Angle, support for accelerometer ... ..	1	L.72	MR/C	
7150	F.208959	Bearing, retractable gun sight mounting ... ..	1	BSS.369	C.	JC.2
607	F.184656	Block, bearing, gun sight mounting ... ..	1	S.94.B		JC.2
	A.184655	Bolt, eye, attachment of G.G.C. mounting tension rod, frame 8, starboard	2	DTD.487	C.	JC.1
1508	F.191789	Bolt, eye, attachment of G.G.C. mounting tension rod to socket	2	S.94.B	C.	JC.1
5374	F.200128	Bolt, attachment of G.G.S. mounting tubes to socket, starboard	10	DTD.487	C.	JC.1
1507	F.191788	Bolt, at tension rod fork ends ... ..	4	—	C.	
5383	DTD.487.4E	Bolt, at G.G.S. mounting sockets ... ..	3	—	C.	
5380	DTD.487.10C	Bolt, at G.G.S. mounting socket, aft, starboard side only	1	—	C.	
5381	DTD.487.11C	Bracket, G.G.S. mounting, port ... ..	1	DTD.721		
	B.184667	Bracket, G.G.S. mounting, starboard ... ..	1	DTD.721		
	B.184668	Bracket, support, for G.G.S. ... ..	1	DTD.610		
	B.184654	Bracket, support, frame 7, port ... ..	1	DTD.610		
	A.184661	Bracket, support, frame 7, starboard ... ..	1	DTD.610		
	A.184662	Bracket, windscreen platform, starboard ... ..	1	DTD.610		
	F.187888	Connection, outlet, at windscreen platform ... ..	2	DTD.364		
	F.186804	Connection, inlet, at windscreen platform ... ..	2	DTD.364		
	F.186805	Fork end, for tension rod ... ..	2	DTD.487	C.	
5376	F.200362	Fork end, for tension rod ... ..	2	DTD.487	C.	
5377	F.200363	Frame, No. 7, top portion ... ..	1	DTD.610		
3771	Std.1231/6	Lug, locking ... ..	4	S.3	MR/C	4
	B.180639	Member, tie, G.G.S. mounting ... ..	1	—		
	D.184650/7	Packing, at G.G.S. mounting brackets ... ..	2	DTD.610		
7065	A.209889	Plate, retaining, retractable gunsight mounting bearing	1	S.3	C.	JC.2
	C.184659	Platform, windscreen, port ... ..	1	DTD.610		
	C.184660	Platform, windscreen, starboard ... ..	1	DTD.610		
5375	F.200388	Rod, tension, G.G.S. mounting ... ..	2	DTD.487	C.	
	A.196174	Shim, at G.G.S. mounting brackets ... ..	2	Brass		
	D.184650/1	Skin ... ..	1	DTD.610		
	B.184670	Socket, G.G.S. mounting, top, port ... ..	1	L.122		
	B.184672	Socket, G.G.S. mounting, top, starboard ... ..	1	L.122		
	Std.1507/23/110	Tube, distance ... ..	2	—		
	Std.1509/23/189	Tube, distance, at eyebolt ... ..	2	—		
	Std.1510/24/84	Tube, distance ... ..	12	—		
	A.184673	Tube, G.G.S. mounting ... ..	1	T.4		
	A.184674	Tube, G.G.S. mounting ... ..	1	T.4		
	A.184675	Tube, G.G.S. mounting ... ..	1	T.4	C.	
5781	Std.915/E/20	Washer ... ..	4	DTD.610	C.	
	C.182059	<b>DIAPHRAGM, CENTRE, BETWEEN FRAMES 10 AND 11, ASSEMBLY</b>	<b>—</b>	<b>—</b>		
1917	F.196153	Bearing, rudder control lever ... ..	1	DTD.364	C.	JC.4

FUSELAGE—FRONT PORTION

Ref. No.	Part No.	Description					No. Off	Material Specification	M.R. Class of Store	Plate No.
		1	2	3	4	5				
612	F.177165						1	S.95.B	C.	JC.4
613	A.177446						1	—	C.	JC.4
614	A.179408						1	—	C.	JC.4
3118	B.176989						1	DTD.610	MR/C	
6818	F.178257						3	DTD.610	MR/C	
615	A.176988						1	DTD.610	C.	JC.1
9627	A.226679						1	L.72	C.	
2144	Std.1231/3						1	S.3	C.	4
6819	F.178337						2	S.1	C.	
21	D.177471						1	—	B.	
6194	D.211691						1	—	B.	
9532	D.220884						1	—	B.	JC.1
	C.215171						—	—		
7862	C.215171/3						1	L.72	C.	
	E.183254						—	—		
	F.201279						1	L.72		
5808	B.201113						2	L.62	C.	
	A.178021						2	Stmpg.		
	F.192689						1	DTD.610		
4002	A.195033						1	DTD.610	MR/C	
8313	F.210664						2	—	C.	
616	A.183787						1	DTD.5509/D	C.	JC.3
617	A.183789						1	DTD.5509/D	C.	JC.3
618	B.183790						1	DTD.5509/D	C.	JC.3
619	A.183788						1	DTD.5509/D	C.	JC.3
	B.190917						2	—		
3119	F.183590						4	DTD.610	MR/C	
622	B.183347						1	DTD.610	C.	JC.3
623	A.183791						1	DTD.610	C.	JC.3
620	A.183792						1	DTD.610	C.	JC.3
621	B.183348						1	DTD.610	C.	JC.3
5805	C.208876						1	—	B.	JC.3
625	F.183710						2	DTD.364	C.	JC.3
9693	F.225619						1	—	C.	JC.3
	F.203267						2	—		
4895	F.203268						2	S.95.B	C.	JC.3
	A.190904						1	DTD.610		
1509	C.189998						1	—	B.	JC.3
1510	F.189993						2	DTD.610	C.	JC.3
1511	F.189992						4	DTD.610	C.	JC.3
1512	F.189988						6	—	C.	JC.3
2155	C.189998/2						2	DTD.590	MR/C	JC.3
627	B.166318						1	—	C.	JC.3
628	B.166319						1	—	C.	JC.3
27Q/10454	Dowty SP.815 2						37	—	C.	
1918	Std.1341/2i						2	—	C.	4
1919	Std.1341/3						3	—	C.	4
1920	Std.1341/8						1	—	C.	4
1921	F.168421						2	—	C.	JC.3
—	Std.1509/23/058						1	T.4	—	
9174	Std.915/E18						2	—	C.	
3953	Std.915/E22						2	—	C.	

FUSELAGE—FRONT PORTION

Ref. No.	Part No.	Description	No. Off	Material Specification	M.R. Class of Store	Plate No.
	C.182946	<b>GUN PACKAGE FORWARD LIFTING POINT AND JOINT, FRAMES 12 AND 13, ASSEMBLY</b>	-	-		
3120	F.179897	Angle, channel attachment to frame 13 ... ..	2	DTD.610	MR/C	
3121	A.178092	Angle, frame 13 ... ..	1	DTD.610	MR/C	
3122	A.179896	Bracket ... ..	1	DTD.166	MR/C	
3123	B.179895	Channel ... ..	1	DTD.610	MR/C	
3124	A.181790	Channel, joint, frame 12 ... ..	1	DTD.610	MR/C	
3125	A.181709	Plate, joint, frame 13 ... ..	2	DTD.610	MR/C	
3126	A.181710	Strap, lower, frame 13 ... ..	1	DTD.610	MR/C	
3127	A.181711	Strap, upper, frame 13 ... ..	1	DTD.610	MR/C	
4691	Std.1547/26/12	Washer, profile, channel attachment to frame 12	4	DTD.610	MR/C	4
1393	Std.1547/26/14	Washer, profile, channel attachment to frame 12	4	DTD.610	C.	4
	D.179206-7	<b>LANDINGS, GUN BLAST TUBE ACCESS DOORS, ASSEMBLY</b>	-	-		
3128	D.179206/1	Landing, blast tube, port ... ..	1	DTD.610	MR/C	JC.1
3129	D.179206/2	Landing, blast tube, port ... ..	1	DTD.610	MR/C	JC.1
3130	D.179206/3	Landing, blast tube, port ... ..	1	DTD.610	MR/C	JC.1
3131	D.179206/4	Landing, blast tube, port ... ..	1	DTD.610	MR/C	JC.1
3132	D.179206/5	Packing, blast tube, landing, port ... ..	1	DTD.610	MR/C	JC.1
3133	D.179207/1	Landing, blast tube, starboard ... ..	1	DTD.610	MR/C	JC.1
3134	D.179207/2	Landing, blast tube, starboard ... ..	1	DTD.610	MR/C	JC.1
3135	D.179207/3	Landing, blast tube, starboard ... ..	1	DTD.610	MR/C	JC.1
3136	D.179207/4	Landing, blast tube, starboard ... ..	1	DTD.610	MR/C	JC.1
9098	F.221504	Nut, cage and cup, at frames 5 and 7 (Mod. 611)	6	-	C.	JC.1
9097	F.220784	Nut, plate, at frame 8 (Mod. 611) ... ..	4	-	C.	JC.1
3137	D.179207/5	Packing, blast tube, landing, starboard ... ..	1	DTD.610	MR/C	JC.1
9593	GKN.6230	Nut, cage, 2 B.A. ... ..	AQ	-	C.	
	Std.1687/1	Saddle, securing cables ... ..	1	DTD.610		
4211	Std.1687/2	Saddle, securing cables ... ..	5	DTD.610	C.	5
1705	Std.1703/5C	Screw, attachment of detachable fairing ... ..	24	S.95.B	B.	5
1706	Std.1703/6C	Screw, attachment of detachable fairing ... ..	4	S.95.B	C.	5
5809	F.205514	Sealing, at transport joint, frame 18 ... ..	2	Rubber	C.	
	B.199513	<b>STOWAGE, FOR CROWBAR, ASSEMBLY</b> ... ..	-	-		
1A/3948	-	Crowbar ... ..	1	-	A.	
	E.184290	<b>STRUCTURE, COCKPIT SHELF, PORT, ASSEMBLY</b>	-	-		
4223	B.199577	Bracket, mounting for triple pressure gauge (Pre-Mod. 699)	1	L.72	MR/C	
	B.222070	Bracket, mounting for gauge (Mod. 699) ... ..	1	L.72		
	A.184303	Bracket, low pressure fuel cock mounting ... ..	1	DTD.610		
	A.184304	Cover, low pressure fuel cock ... ..	1	DTD.610		
4224	Std.1590/C	Packing ... ..	1	DTD.610	MR/C	5
	B.184550	Support, throttle box, inboard ... ..	1	DTD.610		
	B.184551	Support, throttle box, outboard ... ..	1	DTD.610		
	E.206945	<b>STRUCTURE, COCKPIT SHELF, STARBOARD, ASSEMBLY</b>	-	-		
1565	A.188228	Bracket, for oxygen gauge ... ..	1	DTD.610	C.	
	A.185367	Landing, cockpit shelf ... ..	1	DTD.610		
	A.206946	Landing, cockpit shelf ... ..	1	DTD.610		
	B.185368	Mounting, compass control unit ... ..	1	DTD.610		
	B.185358	Mounting, oxygen regulator ... ..	1	DTD.610		
629	B.185362	Panel, access to oxygen regulator ... ..	1	DTD.610	C.	JC.2
	B.186365	Shelf, fixed, frames 10 to 11 ... ..	1	DTD.610		

FUSELAGE—FRONT PORTION

Ref. No.	Part No.	Description	No. Off	Material Specification	M.R. Class of Store	Place No.
	D.182512	<b>STRUCTURE, FRAMES 3 TO 6, ASSEMBLY</b> ... ..	-	---		
7584	F.190905	Angle, thermostat mounting ... ..	1	DTD.610	MR/C	JC.2
630	B.183655	Beam, radar ranging unit mounting, port ... ..	1	---	C.	JC.2
631	B.183656	Beam, radar ranging unit mounting, starboard ... ..	1	---	C.	JC.2
3141	B.179028	Bracket, nose wheel door jack anchorage, group ... ..	1	---	MR/C	JC.2
	F.179027	Bearing ... ..	1	S.1		
7585	B.187529	Bracket, pressure controller mounting ... ..	2	DTD.610	MR/C	JC.2
3142	B.179029	Bracket, nose wheel door jack anchorage ... ..	1	DTD.610	MR/C	JC.2
	C.178624	<b>FASTENERS, NOSE PIECE ATTACHMENT, ASSEMBLY</b>	-	---		
632	F.178628	Hook (Pre Mod. 587) ... ..	4	S.1	C.	
9390	F.220447	Hook (Mod. 587) ... ..	4	S.96.B	C.	JC.4
633	F.178626	Latch, top ... ..	2	S.3	C.	JC.4
634	F.178627	Latch, bottom ... ..	2	S.3	C.	
5838	A.207961	Lever (Pre Mod. 587) ... ..	4	DTD.166	C.	
9391	A.220638	Lever (Mod. 587) ... ..	4	---	C.	JC.4
28FP/5	A.409	Pin, pip ... ..	4	---	C.	
636	F.166450	Spring, latch ... ..	4	Sp. St.	C.	JC.4
3794	Std.1509/2/104	Tube, distance, 1/4" o/d x 22 S.W.G. x 1.04" long (Make from 30B/555)	8	T.4	MR/C	4
---	Std.1509/2/112	Tube, distance, 1/4" o/d x 22 S.W.G. x 1.12" long (Make from 30B/555)	4	T.4	---	
9392	F.220446	Washer (Mod. 587) ... ..	4	Rubber	C.	
26AQ/2284	Std.914/E.22	Washer ... ..	4	---	C.	
6792	D.174468	Frame, No. 3, group ... ..	1	---	MR/B	
7586	F.177006	Angle, support, port ... ..	1	DTD.610	MR/C	JC.2
7587	F.177007	Angle, support, starboard ... ..	1	DTD.610	MR/C	JC.2
7588	D.174468/2	Angle, port ... ..	1	DTD.610	MR/C	JC.2
7589	D.174468/3	Angle, starboard ... ..	1	DTD.610	MR/C	JC.2
---	F.218906	Angle, starboard (Mod. 572) ... .. (Make from 30A/2290, Q.R.)	1	DTD.166	---	
---	F.218907	Angle, starboard (Mod. 572) ... .. (Make from 30A/2290, Q.R.)	1	DTD.166	---	
---	F.218908	Angle, port (Mod. 572) ... .. (Make from 30A/2290, Q.R.)	1	DTD.166	---	
---	F.218909	Angle, port (Mod. 572) ... .. (Make from 30A/2290, Q.R.)	1	DTD.166	---	
---	F.218944	Angle, attachment, group (Mod. 572) ... ..	2	---		
8541	F.218942	Bush ... ..	2	Rubber	C.	
8542	F.218943	Washer ... ..	4	Rubber	C.	
	B.208998	Bracket, for micro switch (Mod. 303) ... ..	1	L.72		
	A.218945	Bracket, attachment group (Mod. 572) ... ..	1	---		
8541	F.218942	Bush ... ..	2	Rubber	C.	
8542	F.218943	Washer ... ..	4	Rubber	C.	
	A.218538	Channel, attachment, port (Mod. 572) ... ..	1	S.3		
	A.218539	Channel, attachment, starboard (Mod. 572) ... ..	1	S.3		
7592	D.174468/1	Diaphragm ... ..	1	DTD.610	MR/C	JC.1
7593	D.174468/13	Packing, at stiffener joint ... ..	4	L.72	MR/C	
7594	A.178985	Plate, reinforcing ... ..	1	DTD.610	MR/C	
7595	F.174476	Plate, joint at stiffener ... ..	4	DTD.610	MR/C	
	F.213351	Spigot, at centre stiffener (Mod. 413) ... ..	2	S.1		

FUSELAGE—FRONT PORTION

Ref. No.	Part No.	Description					No. Off	Material Specification	M.R. Class of Score	Plate No.
		1	2	3	4	5				
7259	B.174469						1	DTD.610	C.	JC.2
7260	B.174470						1	DTD.610	C.	JC.2
	A.215550						1	DTD.610		
	A.215551						1	DTD.610		
7601	D.174468/12						1	DTD.610	MR/C	JC.2
	A.209618						1	L.72		
	A.210888						1	—		
	A.210889						1	—		
7602	F.183514						2	—	MR/C	
	D.176890						1	—		
3143	D.176890/3						1	—	MR/C	JC.2
3144	D.176890/4						1	—	MR/C	JC.2
	D.176891						1	—		
6637	A.210013						2	L.65.C	C.	
3145	D.176891/3						1	—	MR/C	JC.2
3146	D.176891/4						1	—	MR/C	JC.2
7110	F.207383						4	L.65.C	MR/C	
	F.174578						1	—		
6640	F.207734						2	L.72	C.	
6642	Std.914/U.14						6	—	C.	
	D.177214						1	—		
6057	F.200427						2	L.72	MR/C	
6636	F.210012						2	L.65.C	C.	
6637	A.210013						2	L.65.C	C.	
7110	F.207383						6	L.65.C	MR/C	
6640	F.207734						2	L.72	C.	
6641	F.207735						2	L.72	C.	
	F.177304						2	LFS.21		
	F.177305						2	DTD.610		
6642	Std.914/U.14						10	—	C.	
	A.221142						1	DTD.610		JC.1
	A.221143						1	DTD.610		JC.1
7075	A.214466						1	DTD.610	C.	JC.1
	C.221135						1	—		
	C.221136						1	—		
	D.186056						—	—		
637	F.186589						1	S.94.B	C.	JC.2
638	F.186588						1	S.94.B	C.	JC.2
639	A.186063						2	DTD.610	C.	JC.2
640	A.186062						1	DTD.610	C.	JC.2
641	F.186439						6	DTD.610	C.	
3150	D.186056/1						1	DTD.590	MR/C	JC.2
3151	D.186056/2						9	DTD.590	MR/C	JC.2
3152	D.186056/3						1	DTD.590	MR/C	JC.2
27Q/12001	Dowty SP.815/3						1	—	C.	
	B.185643						1	DTD.610		JC.2
	C.203190						—	—		
	F.208741						1	—		
4869	C.201287						1	L.72	MR/C	

FUSELAGE—FRONT PORTION

Ref. No.	Part No.	Description					No. Off	Material Specification	M.R. Class of Store	Plate No.
		1	2	3	4	5				
6185	C.211572						1	—	B.	
4494	B.201289						1	L.72	C.	
	F.215180						2	—		
	F.215180/1						1	L.72		
	Fairey FS.430D						1	—		
4493	C.201288						1	—	C.	
4494	B.201289						1	L.72	C.	
	Fairey FS.430D						2	—		
1839	C.182346						1	DTD.610	B.	JC.1
1840	C.182347						1	DTD.610	B.	JC.1
1841	C.182348						1	DTD.610	B.	JC.1
3153	D.182512/1						1	DTD.610	MR/C	JC.1
	B.180205-6						—	—		
4052	F.196849						8	S.94.B	C.	JC.1
	F.220611						1	S.3		
	F.220612						1	S.3		
	B.219193						1	S.3		JC.4
	B.219194						1	S.3		JC.4
	F.219173						1	S.3		
	F.219174						1	S.3		
	F.219316						2	S.95.B		JC.1
642	A.186326						2	Stamping	C.	JC.1
8505	F.219449						4	S.84	C.	
	B.220061-2						—	—		
8494	B.220061/A						2	—	C.	
	F.217492						1	S.96.B		
28M/12929	A27.CP						1	—		
	F.217491						1	S.96.B		
	Std.915.U.12						1	DTD.610		
8438	F.217467						AR	Brass	C.	
8496	F.218753						AR	L.72	C.	
6793	A.179237						1	DTD.610	MR/C	
6794	A.179238						1	DTD.610	MR/C	
	B.179459						1	DTD.610		
	B.179460						1	DTD.610		
	B.179461						1	DTD.610		
	B.179462						1	DTD.610		
3810	Std.1547/20/10						6	DTD.610	MR/C	
	D.182410						—	—		
	F.183898						2	DTD.610		
	A.181816						2	DTD.610		
	F.181817						1	DTD.610		
7022	A.215915						1	—	C.	JC.4
7023	A.215915/1						1	Rubber	C.	JC.4
	B.180865						1	L.17		
	B.176985						1	—		
1867	A.194272						1	DTD.5509/C	C.	JC.4
4443	A.202036						1	L.72	C.	JC.4

FUSELAGE—FRONT PORTION

Ref. No.	Part No.	Description					No. Off.	Material Specification	M.R. Class of Store	Plate No.	
		1	2	3	4	5					
611	A.176987	Box, sealing	...	...	...	...	1	L.17			
	A.181880	Bracket, bearing, rudder lever, group	...	...	...	...	1	—			
	F.177456	Bearing, rudder control lever	...	...	...	...	1	DTD.364	C.	JC.4	
	F.182411	Bracket, switch mounting	...	...	...	...	1	S.3			
	A.181816	Channel, joint, frame 8	...	...	...	...	1	DTD.610			
	A.177644	Channel, attachment of rudder pedestal mounting	...	...	...	...	1	DTD.610			
	B.176982	Diaphragm, centre, frame No. 7, group	...	...	...	...	1	—			
	A.177495	Bracket, lever and switch mounting	...	...	...	...	1	S.3			
	A.177496	Bracket, undercarriage sequence valve mounting	...	...	...	...	1	S.3			
	6812	B.181996	Diaphragm, frame No. 9	...	...	...	...	1	DTD.610	MR/C	
645	A.180433	Housing, bearing, rudder lever, group	...	...	...	...	1	—	B.	JC.4	
2A/9500419	Hoffmann T.17	Bearing	...	...	...	...	1	—	B.		
613	A.177446	Housing, bearing, rudder lever, group	...	...	...	...	1	—	B.	JC.4	
2A/9500419	Hoffmann T.17	Bearing	...	...	...	...	1	—	B.		
6914	A.176979	Mounting, rudder pedestal, port	...	...	...	...	1	DTD.610			
	A.176980	Mounting, rudder pedestal, starboard	...	...	...	...	1	DTD.610			
	A.181814	Plate, joint, forward, frame 8	...	...	...	...	1	DTD.610	MR/C		
	A.181815	Plate, joint, aft, frame 8	...	...	...	...	1	DTD.610			
	F.182412	Plate, profile, frame 8	...	...	...	...	1	DTD.610			
6849	A.177739	Stiffener, at keel member, frame 9	...	...	...	...	1	DTD.610	MR/C		
6813	B.177144	Stop, nose wheel lock	...	...	...	...	1	Stamping	MR/B		
8136	F.182409	Strap, butt, at keel member between frames 9 and 10	...	...	...	...	1	DTD.610	MR/C		
7617	B.184073	Strap, butt, at keel member, frame 9	...	...	...	...	1	DTD.610	C.		
8135	F.178279	Strap, butt, at keel member, frame 9	...	...	...	...	1	DTD.610	MR/C		
3819	Std.1548/28/14	Washer, profile	...	...	...	...	1	DTD.610	MR/C	4	
6058	E.206130-1	<b>STRUCTURE, FRAMES 6 TO 18A, ASSEMBLY</b>					—	—			
	F.202753	Angle, support, for cable clip	...	...	...	...	1	L.72	MR/C		
3158	D.181460-1	<b>ATTACHMENTS, STUB WING, ASSEMBLY</b>					—	—			
	F.187779	Bracket, upper attachment	...	...	...	...	2	S.3	MR/C	JC.1	
	F.187780	Bracket, lower attachment	...	...	...	...	2	S.3	MR/C	JC.1	
	3160	D.181460/1	Landing, upper, port	...	...	...	...	1	DTD.610	MR/C	JC.1
	3161	D.181460/2	Landing, lower, port	...	...	...	...	1	DTD.610	MR/C	JC.1
	3162	D.181461/1	Landing, upper, starboard	...	...	...	...	1	DTD.610	MR/C	JC.1
	3163	D.181461/2	Landing, lower, starboard	...	...	...	...	1	DTD.610	MR/C	JC.1
	3816	Std.1547/30/16	Washer, $\frac{3}{8}$ " dia. x 16 s.w.g.	...	...	...	...	8	DTD.610	MR/C	
		B.194834	Bracket, mounting, hydraulic pressure switch	...	...	...	...	1	DTD.610		
		B.189130	Bracket, support, for spool	...	...	...	...	1	DTD.610		JC.3
		A.195034	Bracket, mounting, for electrical plug	...	...	...	...	1	DTD.610		
	4002	A.195033	Bracket, mounting, for electrical plug	...	...	...	...	1	DTD.610	MR/C	
	5926	F.203218	Bracket, mounting, for air relay box	...	...	...	...	2	L.72	MR/C	
	7614	B.202917	Bracket, mounting, for engine anti-icing switch	...	...	...	...	1	L.72	MR/C	
	1047	F.187998	Clip, mounting, for shuttle valves	...	...	...	...	1	S.3	C.	JC.1
	8486	F.216030	Clip, mounting, for shuttle valve, port only (Mod. 457)	...	...	...	...	1	—	C.	
	1517	B.189096	Door, footstep, group (Pre Mod. 63)	...	...	...	...	1	—	B.	JC.1
	4889	B.200745	Door, footstep, group (Mod. 63)	...	...	...	...	1	—	B.	JC.1
	1518	Mills	Pin, G.P.4, $\frac{3}{16}$ " dia. x $\frac{3}{8}$ " long	...	...	...	...	2	M.S.	C.	JC.1
	1519	F.189104	Plunger (Pre Mod. 63)	...	...	...	...	1	S.1	C.	JC.1
4922	F.200736	Plunger (Mod. 63)	...	...	...	...	2	S.1	C.	JC.1	
1520	F.189113	Spring, release	...	...	...	...	1	Sp. St.	C.	JC.1	
1521	F.189105	Spring, torsion, front	...	...	...	...	1	Sp. St.	C.	JC.1	
1522	F.189106	Spring, torsion, rear	...	...	...	...	1	Sp. St.	C.	JC.1	

FUSELAGE—FRONT PORTION

Ref. No.	Part No.	Description					No. Off	Material Specification	M.R. Class of Store	Plate No.
		1	2	3	4	5				
	C.187149-50	<b>DUCT, SERVICE, BETWEEN FRAMES 6 AND 11, ASSEMBLY</b>					-	-		
	C.187149/1	Duct, 1-4/5" o/d x 22 S.W.G. ...					2	L.54		
	A.188490	Sleeve, .50" wide x .048" thick x 6-0" long ...					1	P.V.C.		
		Socket ...					1	-		
	D.183138-9	<b>FLOOR, REAR SIDE PORTION, ASSEMBLY</b>					-	-		
	F.189128	Spool, hood jettison gear lever mounting ...					1	DTD.364		
3164	D.181805	Frame 7, port, group ...					1	-	MR/B	JC.2
6637	A.210013	Angle, reinforcing ...					2	L.65.C	C.	
7110	F.207383	Packing, profile ...					2	L.65.C	MR/C	
6640	F.207734	Plate, serrated ...					2	L.72	C.	
6642	Std.914/U.14	Washer ...					6	-	C.	
3165	D.181806	Frame 7, starboard, group ...					1	-	MR/B	JC.2
6637	A.210013	Angle, reinforcing ...					2	L.65.C	C.	
7110	F.207383	Packing, profile ...					2	L.65.C	MR/C	
6640	F.207734	Plate, serrated ...					2	L.72	C.	
6642	Std.914/U.14	Washer ...					6	-	C.	
3166	E.181803	Frame 8, port, group ...					1	-	MR/B	JC.2
6638	A.210014	Angle, reinforcing ...					1	L.65.C	C.	
6635	A.207737	Plate, serrated ...					1	L.72	C.	
6642	Std.914/U.14	Washer ...					3	-	C.	
3167	E.181804	Frame 8, starboard, group ...					1	-	MR/B	JC.2
6639	A.210015	Angle, reinforcing ...					1	L.65.C	C.	
6634	A.207736	Plate, serrated ...					1	L.72	C.	
6642	Std.914/U.14	Washer ...					3	-	C.	
6059	E.176257	Frame 9, upper portion, port, group					1	-		
3168	A.201836	Mounting, for target rejector switch ...					1	L.72	MR/C	
	E.176258	Frame 9, lower portion, port ...					1	-	MR/B	JC.2
	E.176259	Frame 9, upper portion, starboard ...					1	-		
3169	E.176260	Frame 9, lower portion, starboard ...					1	-	MR/B	JC.2
	E.176261	Frame 10, upper portion, port ...					1	-		
3170	E.176262	Frame 10, lower portion, port ...					1	-	MR/B	JC.2
	E.176263	Frame 10, upper portion, starboard ...					1	-		
3171	E.176264	Frame 10, lower portion, starboard ...					1	-		
	E.181756	Frame 11, upper portion, port, group					1	-		
	A.199574	Bracket ...					1	-		
4101	A.111330	Clip, spring, for crowbar stowage ...					1	Sp. St.	C.	
	E.181757	Frame 11, upper portion, starboard ...					1	-		
3172	E.181758	Frame 11, lower portion, port ...					1	-	MR/B	JC.2
3173	E.181759	Frame 11, lower portion, starboard ...					1	-	MR/B	JC.2
6060	C.206128	Frame 12, port, group ...					1	-	MR/B	JC.2
	A.199573	Bracket ...					1	-		
	F.200175	Bracket, stop ...					1	-		
	B.217703	Bracket ...					1	-		
4101	A.111330	Clip, spring, for crowbar stowage ...					1	Sp. St.	C.	
	Std.1547/24/16	Washer, packing ...					2	-		
	Std.1547/40/16	Washer, packing ...					2	-		
3175	D.181699	Frame 12, starboard, group ...					1	-	MR/B	
	F.179046	Angle, relay mounting ...					2	DTD.610		
	F.206508	Angle ...					1	L.72		

FUSELAGE—FRONT PORTION

Ref. No.	Part No.	Description					No. Off.	Material Specification	M.R. Class of Store	Plate No.
		1	2	3	4	5				
6061	C.206129					Frame: 13, port ... ..	1	—	MR/B	JC.2
3177	D.181678					Frame: 13, starboard ... ..	1	—	MR/B	
	E.182120					Frame: 14, side portion, port, group ... ..	1	—		
	F.189129					Angle ... ..	2	DTD.610		
	F.178049					Angle, floor ... ..	1	DTD.610		
	F.178047					Block, sealing ... ..	1	LFS.21		
	A.190946					Mounting, hood motor relay, group ... ..	1	DTD.610		
1922	Std.1341/13					Stud, special ... ..	1	—	C.	4
	F.198095					Plate, mounting, hood motor ... ..	1	—		
	F.177747					Plate, mounting, hood motor ... ..	3	DTD.610		
6760	A.209279					Steady, for gun pack ... ..	1	Casting	C.	JC.3
1179	A.177021					Union, bulkhead ... ..	2	DTD.364	C.	JC.3
	E.182121					Frame: 14, side portion, starboard, group ... ..	1	—		
	F.178050					Angle, floor ... ..	1	DTD.610		
	F.178048					Block, sealing ... ..	1	LFS.21		
	F.191001					Bracket, mounting of compass amplifier ... ..	3	DTD.610		
	F.191002					Bracket, mounting of compass amplifier ... ..	3	DTD.610		
5K/3482	Hellermann HV.3185					Bung ... ..	1	—	C.	
6660	A.207435					Housing ... ..	1	L.65.C	C.	
6733	A.207436					Nut ... ..	1	L.65.C	C.	
6760	A.209279					Steady, for gun pack ... ..	1	Casting	C.	
7060	F.207437					Washer ... ..	1	DTD.171	C.	
	E.182122					Frame: 14, centre portion, group ... ..	1	—		
	F.194165					Block, sealing ... ..	1	LFS.21		
	F.216374					Bracket, stop (Mod. 281) ... ..	1	DTD.364		
1708	A.193141					Mounting, anti "G" air filter ... ..	1	S.3	C.	JC.3
	A.190947					Mounting, hood motor relay, group ... ..	1	DTD.610		
1922	Std.1341/13					Stud, special ... ..	1	—	C.	4
	F.177747					Plate, hood motor mounting ... ..	2	DTD.610		
	C.189999					<b>RACK, ANTI "G" AIR BOTTLE, ASSEMBLY</b>	—	—		JC.3
1511	F.189992					Channel, attachment ... ..	6	DTD.610	C.	JC.3
	B.189997					Rack, group ... ..	1	DTD.610		
2155	C.189998/2					Seating, $\frac{1}{8}$ " thick x 0-60" wide ... ..	2	DTD.590	MR/C	JC.3
1512	F.189988					Washer ... ..	6	DTD.610	C.	JC.3
	Std.1509/12/055					Tube, distance, $\frac{1}{4}$ " o/d x 20 S.W.G. x 0-55" long	1	T.4		
	D.176249					Frame: 15, port ... ..	1	—		
	D.176250					Frame: 15, starboard ... ..	1	—		
	D.181890					Frame: 16, side portion, port ... ..	1	—		
	D.181891					Frame: 16, side portion, starboard ... ..	1	—		
	D.176269					Frame: 17A, port ... ..	1	DTD.610		
	D.176270					Frame: 17A, starboard, group ... ..	1	DTD.610		
6062	A.204431					Bracket, support, for circuit breaker angles ... ..	1	L.72	MR/C	
	D.180278					Frame: 17B, port ... ..	1	DTD.610		
	D.180279					Frame: 17B, starboard ... ..	1	DTD.610		
	D.176272					Frame: 18A, port ... ..	1	—		
	D.176273					Frame: 18A, starboard ... ..	1	—		
3178	A.178277					Landing, gun package, door, rear ... ..	2	DTD.610	MR/C	JC.1
3179	A.179799					Landing, gun package, door, front, port ... ..	1	DTD.610	MR/C	JC.1
3180	A.179800					Landing, gun package, door, front, starboard ... ..	1	DTD.610	MR/C	JC.1
3181	A.178266					Landing, nosewheel door, port ... ..	1	DTD.610	MR/C	JC.4
3182	A.178267					Landing, nosewheel door, starboard ... ..	1	DTD.610	MR/C	JC.4
3183	B.182482					Landing, gun package access door, frame 11, port ... ..	1	DTD.610	MR/C	JC.1
3184	B.182483					Landing, gun package access door, frame 11, starboard	1	DTD.610	MR/C	JC.1

FUSELAGE—FRONT PORTION

Ref. No.	Part No.	Description					No. Off	Material Specification	M.R. Class of Store	Plate No.
		1	2	3	4	5				
	E.177824-5	<b>LONGERON, BOTTOM, FRAMES 8 TO 19, ASSEMBLY</b>					—	—		
	F.175839	Angle, frame 18A, port ... ..					1	DTD.610		
	F.175840	Angle, frame 18A, starboard ... ..					1	DTD.610		
	F.178540	Angle, frame 18A ... ..					2	DTD.610		
	F.178539	Angle, wireless bay access door hinge bracket, frame 16					2	DTD.610		
	F.177637	Angle, frames 9, 10 and 11, port ... ..					3	DTD.364		
	F.177638	Angle, frames 9, 10 and 11, starboard ... ..					3	DTD.364		
	F.178350	Angle, frame 11, port ... ..					1	DTD.364		
	F.178351	Angle, frame 11, starboard ... ..					1	DTD.364		
	F.178352	Angle, frame 10, port ... ..					1	DTD.364		
	F.178353	Angle, frame 10, starboard ... ..					1	DTD.364		
	F.178117	Block, distance, frames 9, 10 and 11 ... ..					6	Casting		
647	Std.s25/90N	Bolt, special, wireless bay access door hinge ... ..					4	S.2	C.	4
3185	F.178013	Bracket, hinge, gun access doors ... ..					4	S.95.B	MR/C	
3186	F.178014	Bracket, hinge, gun access doors ... ..					4	S.95.B	MR/C	
	A.177973	Bracket, frame 14 ... ..					2	Stamping		
5810	A.200576	Bracket, gun package locating ... ..					1	S.3	C.	
	A.177941	Bracket, frame 15 ... ..					2	Stamping		
	A.176903	Bracket, frame 16 ... ..					2	Stamping		
	F.187882	Bracket ... ..					1	S.3		
	A.177942	Channel, frame 12 ... ..					2	Stamping		
	F.177989	Channel, frame 13 ... ..					1	DTD.610		
	A.180325	Fitting, frame 18A ... ..					2	S.98.B		
648	F.173339	Nut, special, support spigot ... ..					6	S.97.B	C.	JC.4
	F.178015	Packing, at wireless bay access door, frames 16 and 18A					4	DTD.610		
	Std.1548/32/14	Packing, at attachment angle, frame 13 ... ..					2	DTD.610		
3187	F.178016	Shim, at gun access door hinge brackets, frames 11 and 12					8	Brass	MR/C	
649	F.182539	Spigot, support, gun package ... ..					6	S.97.B	C.	JC.4
	E.177342-3	<b>LONGERON, TOP, ASSEMBLY</b> ... ..					—	—		
	F.175841	Angle, outboard, frame 18A, port ... ..					1	DTD.610		
	F.175842	Angle, outboard, frame 18A, starboard ... ..					1	DTD.610		
	F.175837	Angle, inboard, frame 18A, port ... ..					1	DTD.610		
	F.175838	Angle, inboard, frame 18A, starboard ... ..					1	DTD.610		
5811	A.201367	Bracket, lamp ... ..					1	L.72	C.	
6063	F.203581	Bracket, lamp ... ..					1	—	MR/C	
9051	F.216177	Bracket, pivot, hood rails, port (Mod. 281) ... ..					1	—	C.	JC.2
9052	F.216178	Bracket, pivot, hood rails, starboard (Mod. 281) ... ..					1	—	C.	JC.2
	A.180324	Fitting, frame 18A ... ..					2	S.98.B		
10095	A.234638	Lock, hood release, port, group (AS.840 '8) ... ..					2	—	C.	JC.2
10096	A.234639	Lock, hood release, starboard, group (AS.840 '8) ... ..					2	—	C.	JC.2
3188	F.186501	Bolt, spring anchorage ... ..					2	S.95.B	MR/C	JC.2
3189	F.186502	Nut, spring anchorage ... ..					2	S.95.B	MR/C	JC.2
3190	F.151094	Spring, seat ... ..					1	Sp. St.	MR/C	JC.2
1709	F.186574	Lug, hinge (starboard only) ... ..					1	DTD.364	C.	JC.3
1710	F.186575	Lug, hinge (starboard only) ... ..					1	DTD.364	C.	JC.3
1923	F.183864	Plate, nut, at pivot brackets ... ..					2	S.3	C.	JC.2
	A.211754	Plate, nut, between frames 11 and 12 (Mod. 281)					4	—		

FUSELAGE—FRONT PORTION

Ref. No.	Part No.	Description	No. Off	Material Specification	M.R. Class of Store	Plate No.
	E.175729	Member, keel, group ... ..	1	—		
6796	E.175730	Member, keel, group ... ..	1	—	MR/B	
7627	F.177164	Bearing, nosewheel door jack anchorage ... ..	1	S.95.B	MR/C	
611	F.177456	Bearing, rudder control lever ... ..	2	DTD.364	C.	JC.4
7628	A.165906	Block, pivot bolt support, port ... ..	1	DTD.166	MR/C	
7629	A.165907	Block, pivot bolt support, starboard ... ..	1	DTD.166	MR/C	
6965	F.177756	Block, hinge, nosewheel door ... ..	2	—	MR/C	
652	F.177166	Nut-plate, at nosewheel door jack anchorage bearing ... ..	1	S.3	C.	JC.4
1924	F.177757	Nut-plate, at nosewheel door hinge block ... ..	2	S.3	C.	
8231	A.213297	Mounting, for arm, JB's 7 & 8 (starboard only) (Mod. 229) ... ..	1	L.72	MR/C	
646	A.178256	Panel, access to nosewheel pivot bolt ... ..	2	DTD.610	C.	JC.1
	A.198857	Pipe, drain, for hood rail, port ... ..	1	—		
	A.198858	Pipe, drain, for hood rail, starboard ... ..	1	—		
1844½	E.183242/1	Skin, side, port ... ..	1	DTD.610	B.	JC.1
1845½	E.183243/1	Skin, side, starboard ... ..	1	DTD.610	B.	JC.1
	E.183240	Skin, side, port, group ... ..	1	—		
	E.183241	Skin, side, starboard, group ... ..	1	—		
6064	F.201370	Angle, top, for dimmer switch mounting plate ... ..	1	L.72	MR/C	
6065	F.201371	Angle, bottom, for dimmer switch mounting plate ... ..	1	L.72	MR/C	
3192	A.178273	Landing, gun access door, front ... ..	2	DTD.610	MR/C	JC.1
3193	A.178278	Landing, gun access door, rear ... ..	2	DTD.610	MR/C	JC.1
1842	E.183240/1	Skin, side, port ... ..	1	DTD.610	B.	JC.1
1843	E.183241/1	Skin, side, starboard ... ..	1	DTD.610	B.	JC.1
1846	E.183244	Skin, bottom, frames 9 to 11, port ... .. (A.195133 to be supplied loose)	1	DTD.610	B.	JC.1
1847	E.183245	Skin, bottom, frames 9 to 11, starboard ... .. (A.195133 to be supplied loose)	1	DTD.610	B.	JC.1
1848	E.183246	Skin, bottom, frames 6 to 9, port ... ..	1	DTD.610	B.	JC.1
1849	E.183247	Skin, bottom, frames 6 to 9, starboard ... ..	1	DTD.610	B.	JC.1
	C.179465	<b>TUBE, BLAST, FIXED, ASSEMBLY</b> ... ..	—	—		
3194	A.190410	Plate, locking ... ..	4	DTD.610	MR/C	JC.4
	A.221595	Sleeve (Mod. 620) ... ..	2	S.521		
1925	F.179410	Stud, gun pedestal attachment ... ..	16	S.99.B	C.	JC.4
	B.179466	Tube, blast ... ..	2	T.55		
	B.179467	Tube, blast (Pre Mod. 620) ... ..	2	T.55		
	B.228711	Tube, blast (Mod. 620) ... ..	2	—		
	E.223712	<b>STRUCTURE, BETWEEN FRAMES 12 AND 18A, ASSEMBLY (Mod. 417)</b> ... ..	—	—		
	E.184702	<b>STRUCTURE, BETWEEN FRAMES 12 AND 18A, ASSEMBLY (Pre-Mod. 417)</b> ... ..	—	—		
	A.214901	Angle, mounting, at frame 16 (Mod. 417) ... ..	1	L.72		
	F.214903	Bracket, at top diaphragm, frame 16 (Mod. 417) ... ..	1	L.72		
	B.214898	Bracket, for combined monitor mounting (Mod. 417) ... ..	1	—		
	B.214899	Bracket, for combined monitor mounting (Mod. 417) ... ..	1	—		
	D.183223	<b>DECKING, REAR, ASSEMBLY (Mod. 417)</b> ... ..	—	—		
	C.183223	<b>DECKING, REAR, ASSEMBLY (Pre-Mod. 417)</b> ... ..	—	—		
	C.214896	Bracket, for gyro unit (Mod. 417) ... ..	1	L.72		
6787	B.180745	Diaphragm, frame 16 ... ..	1	DTD.610	MR/C	
	D.176271	Frame 18A, top portion ... ..	1	DTD.610		
	D.176268	Frame 17A, top portion ... ..	1	DTD.610		
	D.180277	Frame 17B, top portion ... ..	1	DTD.610		
	C.183223/1	Skin, 16 S.W.G. (Pre-Mod. 417) ... ..	1	DTD.610		
	D.183223/1	Skin, 16 S.W.G. (Mod. 417) ... ..	1	L.72		

FUSELAGE—FRONT PORTION

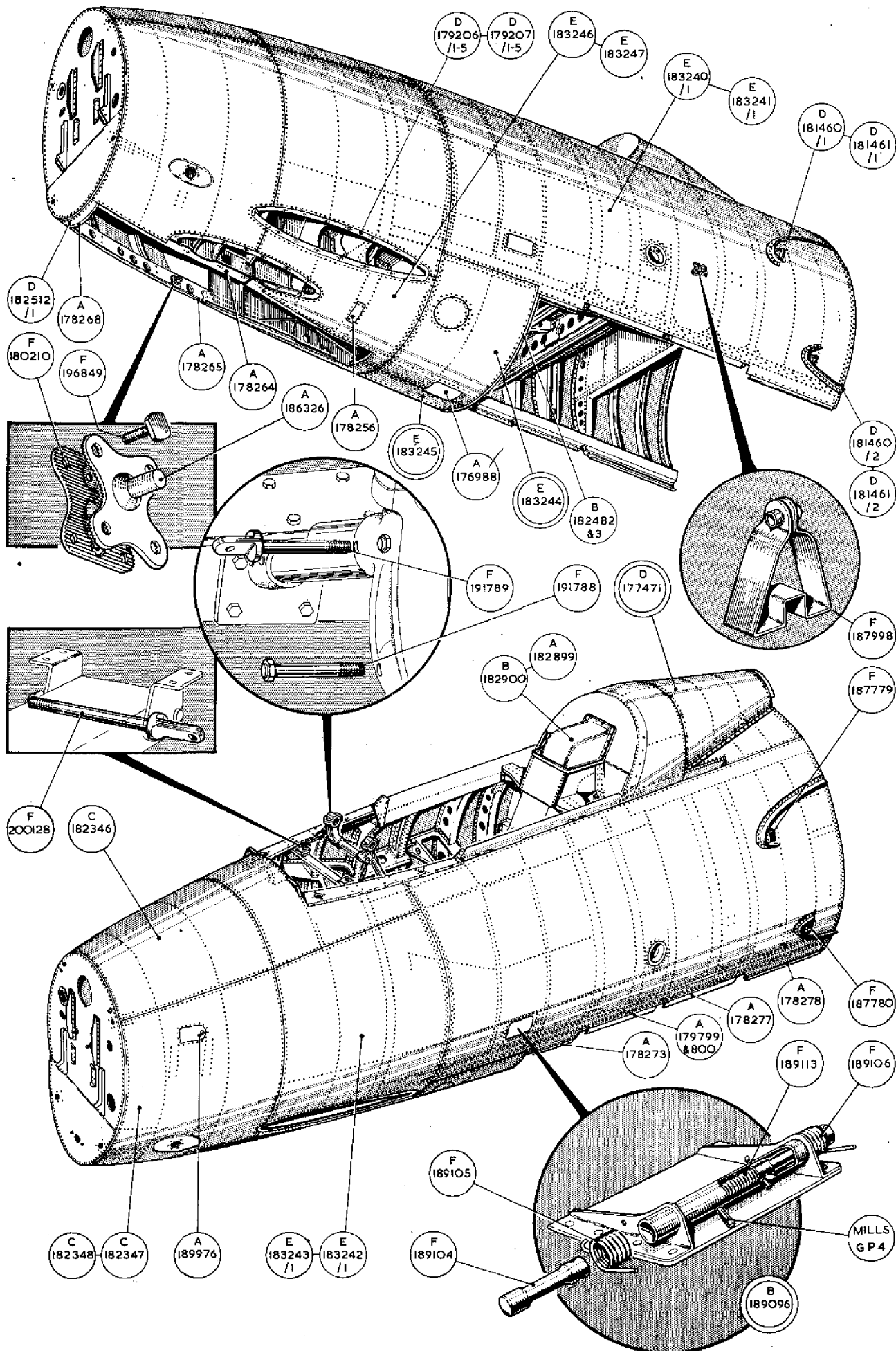
Ref. No.	Part No.	Description					No. Off	Material Specification	M.R. Class of Store	Plate No.
		1	2	3	4	5				
	D.184552	<b>FAIRING, FIXED, AFT OF HOOD, ASSEMBLY</b>					-	-		
	A.209955	Bracket, mounting, group ... ..					1	-		
	D.184553	Diaphragm, frame 14, group ... ..					1	-		
	F.214719	Bracket (Mod. 281) ... ..					1	-		
	C.184554	Landing, for hood fairing, group ... ..					1	-		
	B.214897	Angle, mounting, for amplifier unit (Mod. 417)					1	L.65.C		
3813	A.214902	Bracket, for amplifier mounting (Mod. 417)					1	L.72		
	Std.1547/22/10	Washer, packing, at amplifier mounting (Mod. 417)					2	-	MR/C	4
	D.184552/1	Skin ... ..					1	DTD.610		
653	D.181889	Frame 16, centre portion ... ..					1	DTD.610		
	A.182899	Gasket, detachable, flying control shroud ... ..					1	Rubber	C.	JC.1
	C.182877	<b>LONGERON, TIE SEAT RAIL ATTACHMENT AND FLYING CONTROL CASING, ASSEMBLY</b>					-	-		
	B.179049	Bracket, top longeron tie, frame 13, forward					1	DTD.610		
	B.179050	Bracket, top longeron tie, frame 13, aft ...					1	DTD.610		
	B.179051	Bracket, top longeron tie, frame 13, forward					1	DTD.610		
	B.179052	Bracket, top longeron tie, frame 13, aft ...					1	DTD.610		
	B.182883	Bracket, scat guide tail, attachment ... ..					1	Stamping		
	A.192039	Bracket, mic-tel, socket mounting ... ..					1	S.3		
	C.182878	Casing, flying controls ... ..					1	DTD.610		
	C.190601	Platform, mounting ... ..					1	DTD.610		
	B.214900	Plate, mounting for combined monitor, group (Mod. 417)					1	-		
10AJ/131	-	Mounting, anti-vibration ... ..					3	-	B.	
1392	Std.1547/28/12	Packing, between bracket mounting angle at frame 16 (Mod. 417)					1	-	C.	4
9053	B.221116	Shroud, detachable, flying controls (Mod. 281) ...					1	DTD.213	C.	JC.1
3871	A.197684	Strip, washer, at detachable shroud ... ..					2	DTD.610	C.	
3872	A.197685	Strip, washer, at detachable shroud ... ..					2	-	C.	
3873	A.197686	Strip, washer, at detachable shroud ... ..					2	-	C.	
3771	Std.1231/6	Tab, locking, at frame 6, attachment to krel member					1	S.3	MR/C	4

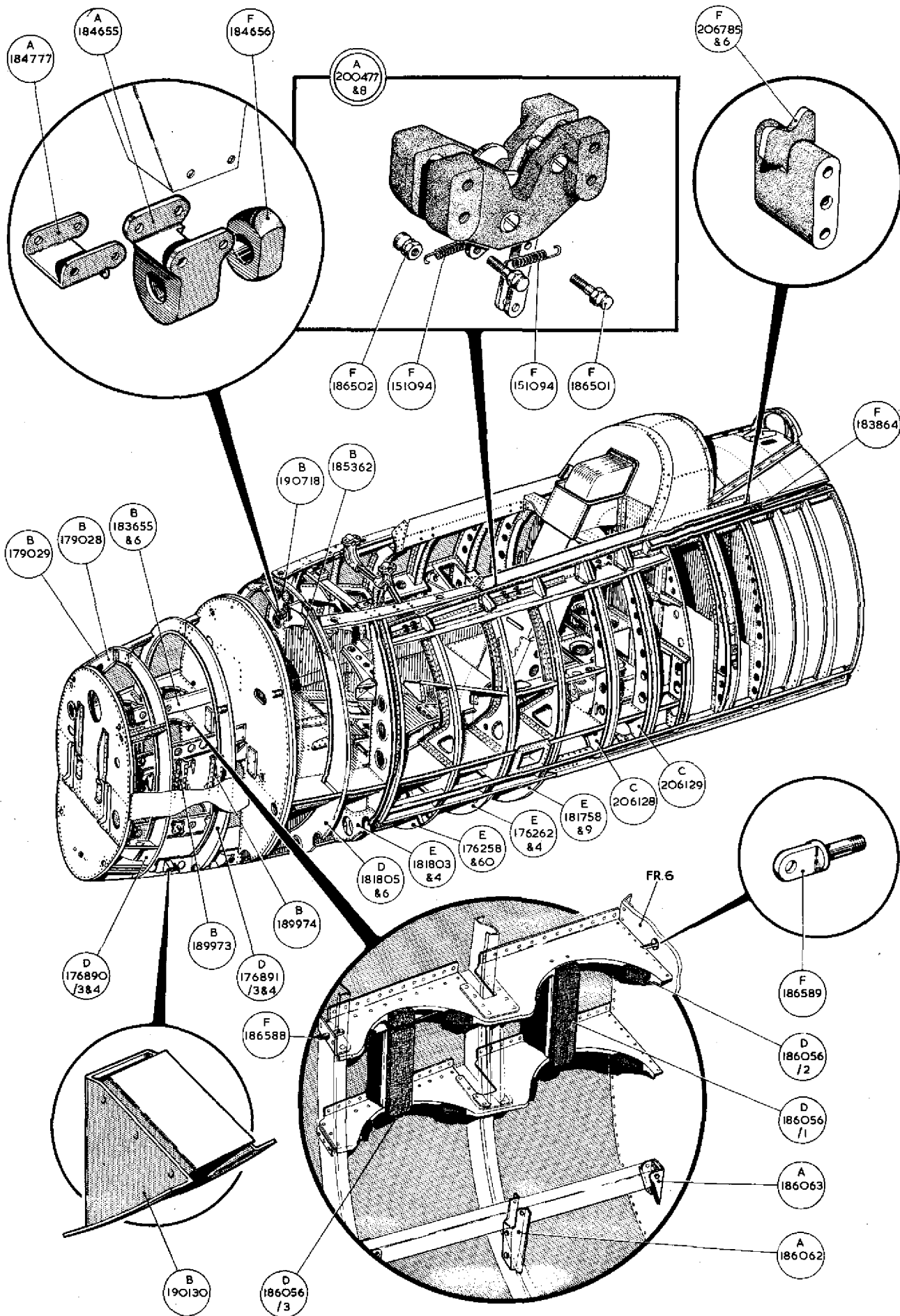
FUSELAGE—FRONT PORTION

Ref. No.	Part No.	Description					No. Off	Material Specification	M.R. Class of Store	Plate No.
		1	2	3	4	5				
28D/12528	A25.1.B	Bolt	...	...	...	...	—	—	—	
28D/12512	A25.1.C	Bolt, 2 B.A.	...	...	...	...	—	—	—	
28D/12624	A25.7.B	Bolt	...	...	...	...	—	—	—	
28D/12513	A25.2.C	Bolt, 2 B.A.	...	...	...	...	—	—	—	
28D/12531	A25.3.C	Bolt, 2 B.A.	...	...	...	...	—	—	—	
28D/12532	A25.4.C	Bolt, 2 B.A.	...	...	...	...	—	—	—	
28D/12629	A25.8.C	Bolt	...	...	...	...	—	—	—	
28D/12533	A25.5.C	Bolt, 2 B.A.	...	...	...	...	—	—	—	
28D/12515	A25.10.C	Bolt	...	...	...	...	—	—	—	
28D/12516	A25.11.C	Bolt, 2 B.A.	...	...	...	...	—	—	—	
28D/12537	A25.14.C	Bolt, 2 B.A.	...	...	...	...	—	—	—	
28D/12638	A25.15.C	Bolt, 2 B.A.	...	...	...	...	—	—	—	
28D/12539	A25.16.C	Bolt, 2 B.A.	...	...	...	...	—	—	—	
28D/12568	A25.22.C	Bolt, 2 B.A.	...	...	...	...	—	—	—	
28D/12519	A25.3.E	Bolt, 1/4" B.S.F.	...	...	...	...	—	—	—	
28D/12570	A25.11.E	Bolt, 1/4" B.S.F.	...	...	...	...	—	—	—	
28D/12546	A25.14.E	Bolt, 1/4" B.S.F.	...	...	...	...	—	—	—	
28D/12547	A25.15.E	Bolt, 1/4" B.S.F.	...	...	...	...	—	—	—	
28D/12548	A25.17.E	Bolt	...	...	...	...	—	—	—	
28D/12716	A25.16.E	Bolt, 1/4" B.S.F.	...	...	...	...	—	—	—	
28D/12634	A25.18.E	Bolt	...	...	...	...	—	—	—	
28D/13112	A30.2.E	Bolt, 1/4" B.S.F.	...	...	...	...	—	—	—	
28D/14474	A30.12.E	Bolt, 1/4" B.S.F.	...	...	...	...	—	—	—	
28D/13611	A25.17.J	Bolt, 3/8" B.S.F.	...	...	...	...	—	—	—	
28D/12825	A25.18.J	Bolt, 3/8" B.S.F.	...	...	...	...	—	—	—	
28D/12774	A25.4.G	Bolt, 1/8" B.S.F.	...	...	...	...	—	—	—	
28D/8341	AS.1248/1C	Bolt, 2 B.A.	...	...	...	...	—	—	—	
28D/13786	AS.2920/1C	Bolt, 2 B.A.	...	...	...	...	—	—	—	
28D/9295	AS.1242.7B	Bolt	...	...	...	...	—	—	—	
28D/8306	AS.1242/1C	Bolt, 2 B.A.	...	...	...	...	—	—	—	
28D/8307	AS.1242/2C	Bolt, 2 B.A.	...	...	...	...	—	—	—	
28D/8309	AS.1242/4C	Bolt, 2 B.A.	...	...	...	...	—	—	—	
28D/8507	AS.1242.5C	Bolt	...	...	...	...	—	—	—	
28D/8310	AS.1242/6C	Bolt, 2 B.A.	...	...	...	...	—	—	—	
28D/8312	AS.1242/8C	Bolt, 2 B.A.	...	...	...	...	—	—	—	
28D/12189	AS.1242.18C	Bolt	...	...	...	...	—	—	—	
28D/8316	AS.1242/13C	Bolt, 2 B.A.	...	...	...	...	—	—	—	
28D/8318	AS.1242.19C	Bolt	...	...	...	...	—	—	—	
28D/11527	AS.1242/17C	Bolt, 2 B.A.	...	...	...	...	—	—	—	
28D/8342	AS.1248/2C	Bolt, 2 B.A.	...	...	...	...	—	—	—	
28D/9588	AS.1248/3C	Bolt, 2 B.A.	...	...	...	...	—	—	—	
28K/5646	SP.7.ELSS	Fork-end	...	...	...	...	—	—	—	
28K/553	SP.3.414	Fork-end	...	...	...	...	—	—	—	
28M/13591	A24.CP	Nut	...	...	...	...	—	—	—	
28M/9419526	A16.CP	Nut	...	...	...	...	—	—	—	
28M/13403	AGS.572/AP	Nut	...	...	...	...	—	—	—	
28L/13140	A27.BT	Nut, 6 B.A.	...	...	...	...	—	—	—	
28M/12929	A27.CP	Nut	...	...	...	...	—	—	—	
28M/12928	A27.EP	Nut, 2 B.A.	...	...	...	...	—	—	—	
28L/13124	A27.CT	Nut	...	...	...	...	—	—	—	
28M/10328	AGS.2002/C1	Nut, 2 B.A.	...	...	...	...	—	—	—	
28M/10288	AGS.2001/C1	Nut, 2 B.A.	...	...	...	...	—	—	—	
28M/10326	AGS.2002/A1	Nut	...	...	...	...	—	—	—	
28M/10290	AGS.2001/E1	Nut, 1/4" B.S.F.	...	...	...	...	—	—	—	
28M/12153	AGS.2007/B1	Nut, 4 B.A.	...	...	...	...	—	—	—	
28M/9999	AGS.2012/C1	Nut, 2 B.A.	...	...	...	...	—	—	—	
28M/10327	AGS.2002/B1	Nut, 4 B.A.	...	...	...	...	—	—	—	

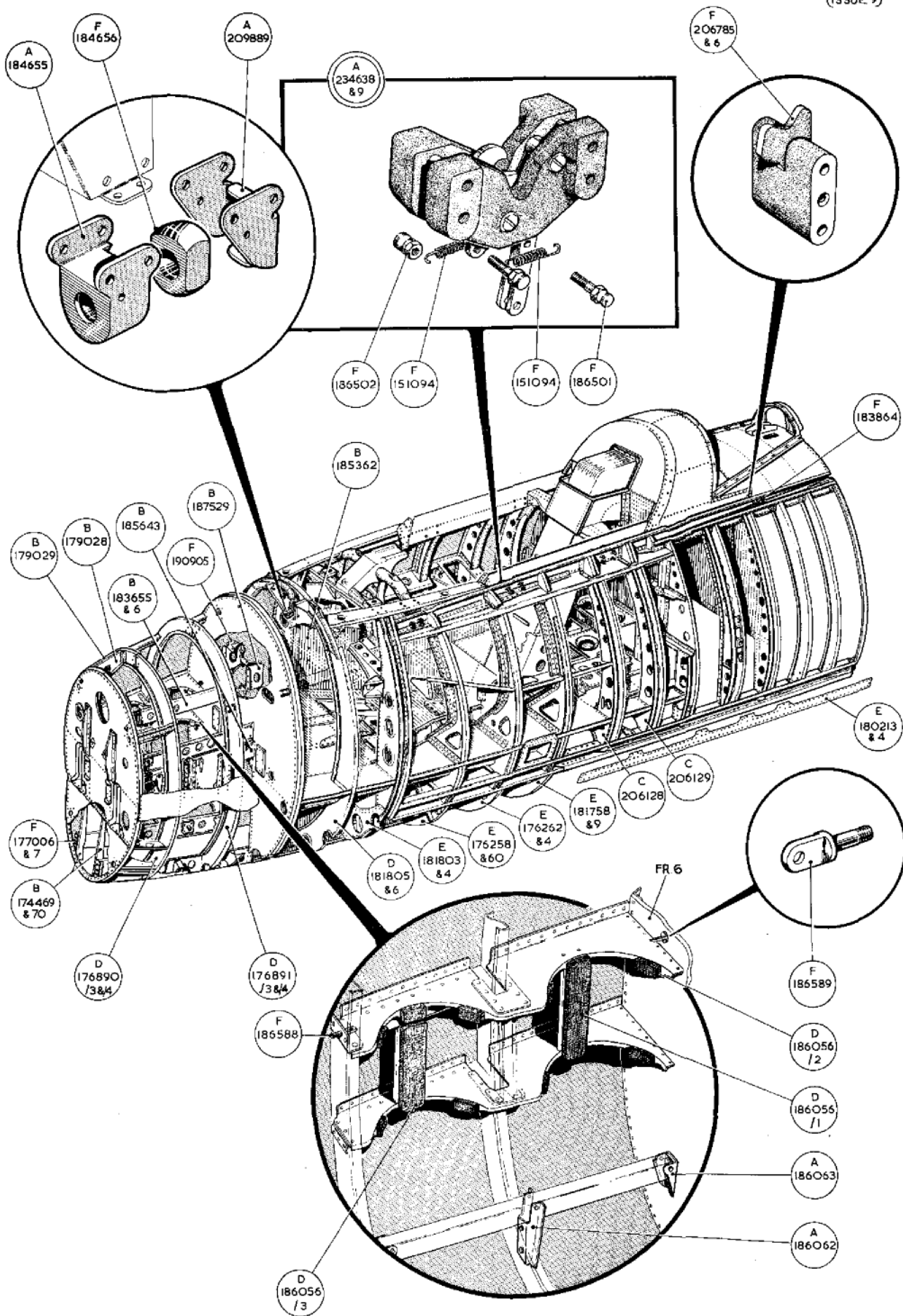
FUSELAGE—FRONT PORTION

Ref. No.	Part No.	Description					No. Off	Material Specification	M.R. Class of Store	Plate No.
		1	2	3	4	5				
28M/13774	AGS.2019/B1	Nut, 4	B.A.	...	...	...	...	...	...	...
28M/13085	AGS.2023/C1	Nut		...	...	...	...	...	...	...
28L/12931	A27.ET	Nut, 1/4"	B.S.F.	...	...	...	...	...	...	...
28L/13454	A27.ETL	Nut, 1/4"	B.S.F.	...	...	...	...	...	...	...
28M/12928	A27.E.P	Nut, 1/4"	B.S.F.	...	...	...	...	...	...	...
28M/13375	A27.G.P	Nut, 5/16"	B.S.F.	...	...	...	...	...	...	...
28M/13295	A27.J.P	Nut, 1/2"	B.S.F.	...	...	...	...	...	...	...
28P/862	SP.4.Y.D4	Pin		...	...	...	...	...	...	...
28P/12431	SP.9.C6	Pin, split		...	...	...	...	...	...	...
28U/10755	SP.8.Z4	Rod, tension		...	...	...	...	...	...	...
28S/2762	A31.A12	Screw		...	...	...	...	...	...	...
28S/2862	A32.C.16	Screw, 2	B.A.	...	...	...	...	...	...	...
28F/11852	AGS.1111/A	Union		...	...	...	...	...	...	...
28W/9419473	SP.15.A	Washer		...	...	...	...	...	...	...
28W/9419474	SP.15.B	Washer		...	...	...	...	...	...	...
28W/9419402	SP.13.C	Washer		...	...	...	...	...	...	...
		Washer, 2	B.A.	...	...	...	...	...	...	...
28W/9419404	SP.16.C	Washer, 2	B.A.	...	...	...	...	...	...	...
28W/9419405	SP.15.E	Washer, 1/4"	dia.	...	...	...	...	...	...	...
28W/9419487	SP.16.E	Washer, 1/4"	dia.	...	...	...	...	...	...	...
28W/9419488	SP.16.G	Washer, 1/8"	dia.	...	...	...	...	...	...	...
28W/9419489	SP.16.J	Washer, 3/8"	dia.	...	...	...	...	...	...	...
28W/9419479	SP.15.N	Washer, 1/16"	dia.	...	...	...	...	...	...	...
28N/256	AGS.191/D	Washer		...	...	...	...	...	...	...
28F/11903	AGS.1115/1	Washer-plate		...	...	...	...	...	...	...

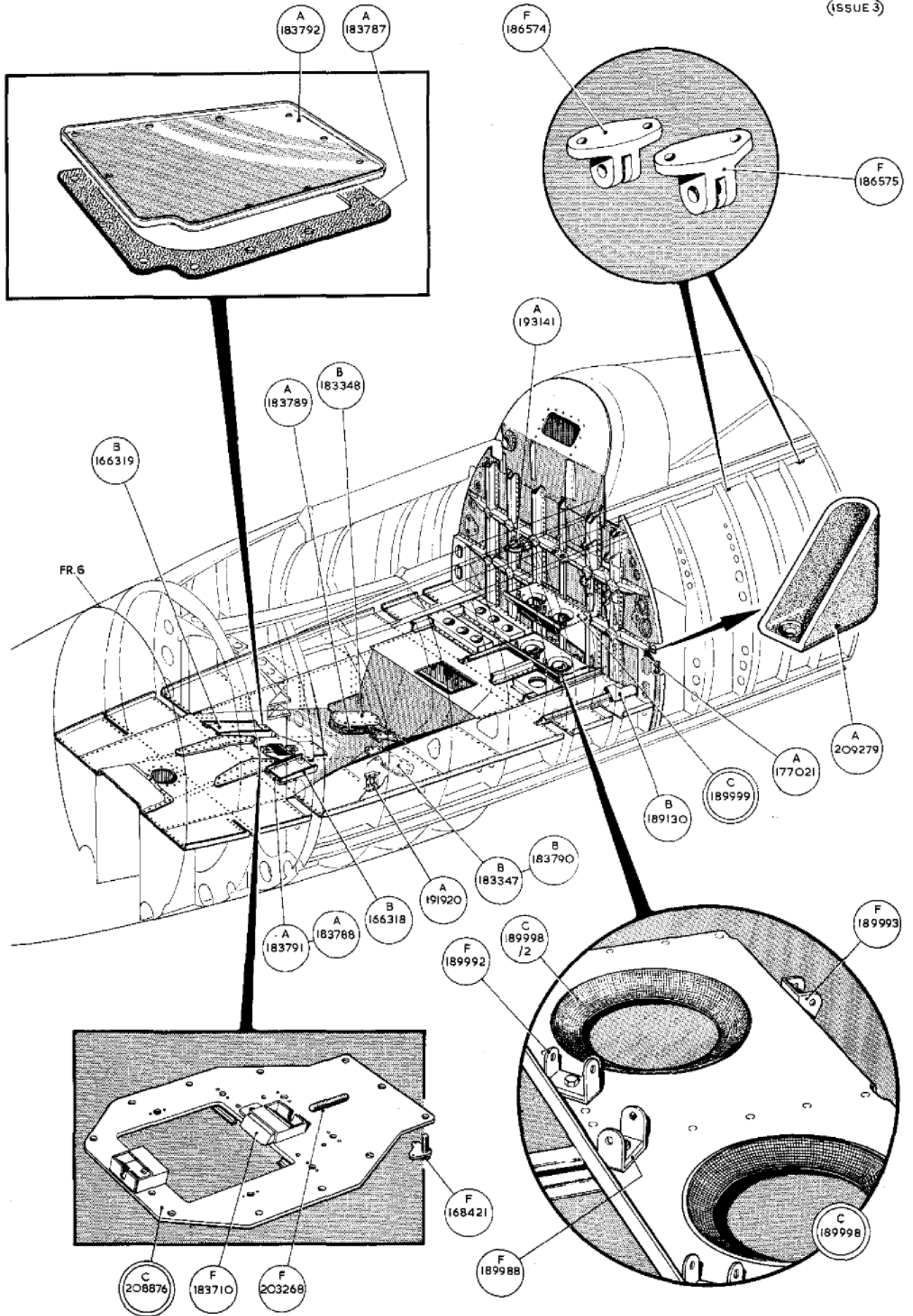


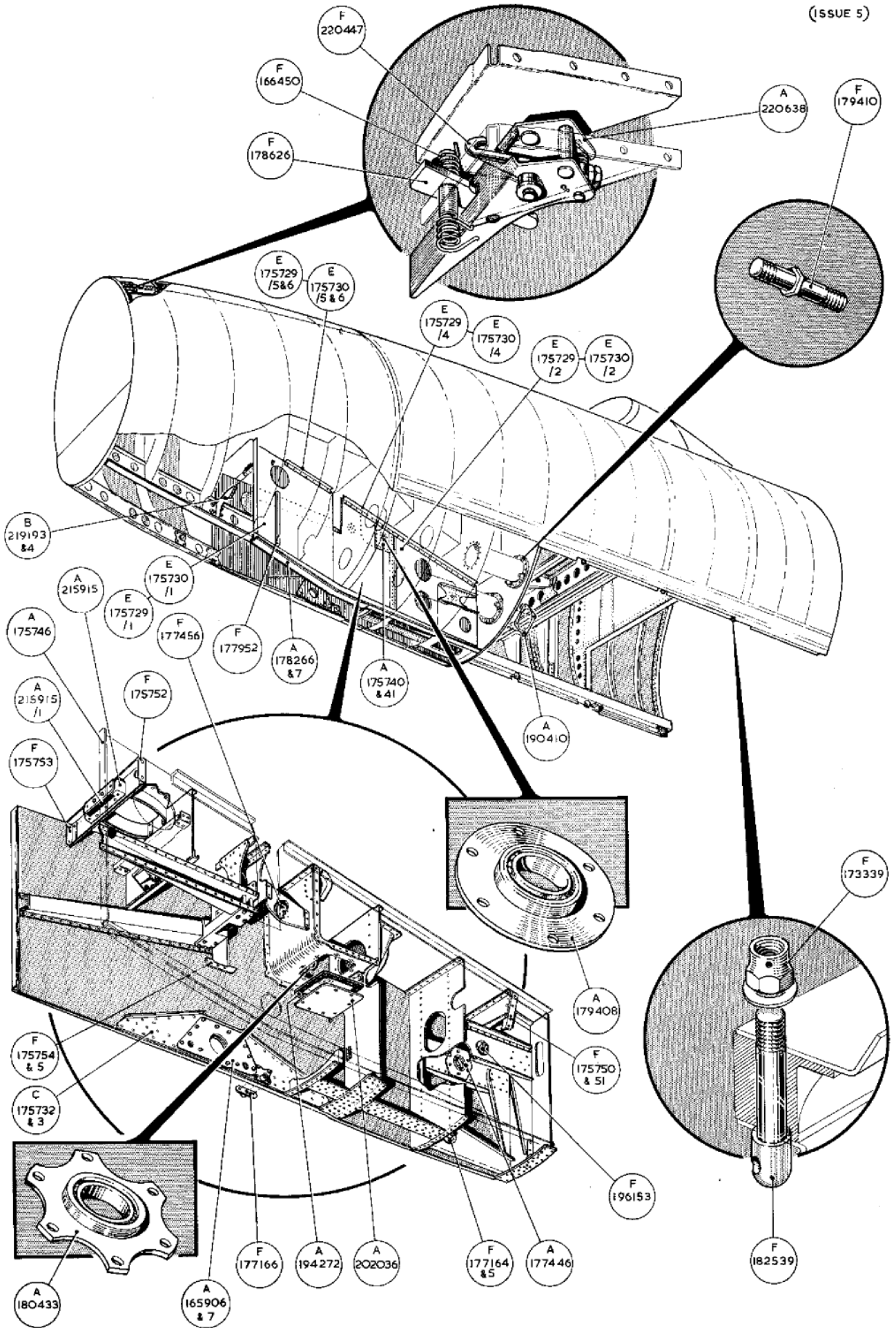






FRONT FUSELAGE





This file was downloaded  
from the RTFM Library.

Link: [www.scottbouch.com/rtfm](http://www.scottbouch.com/rtfm)

Please see site for usage terms,  
and more aircraft documents.

