

FUSELAGE—REAR PORTION

Ref. No.	Part No.	Description	No. Off	Material Specification	M.R. Class of Score	Place No.
4475	C.201502	REAR FUSELAGE COMPLETE, GROUP	1	—	A.	JD.1
		(Less elevator boosters, hydraulic accumulator and tail plane actuator)				
—	D.204125	AIR BRAKE, ASSEMBLY (See Page No. JD.11) ...	—	—	—	
—	E.201043	ELECTRICAL INSTALLATION, ASSEMBLY ...	—	—	—	
		(See Section "E")				
—	E.217437	FLYING CONTROLS, ASSEMBLY	—	—	—	
		(See Section "D")				
—	D.187925	HYDRAULIC INSTALLATION, ASSEMBLY ...	—	—	—	
		(See Section "N")				
5787	E.201644	REAR FUSELAGE STRUCTURE, GROUP	1	—	MR/A	
	C.205594	COVER, PROTECTIVE, FOR HYDRAULIC COMPONENTS, ASSEMBLY	—	—		
	A.205598	Angle	1	L.72		
	F.205599	Angle	1	L.A.		
	F.205600	Angle	1	L.A.		
	A.205621	Angle	1	L.72		
	B.205597	Diaphragm	1	L.72		
8176	D.205595	Member, side	1	L.72	MR/C	
5702	C.205596	Panel, access	1	L.72	C.	JD.2
	C.202431	DRAIN, AT ENGINE EXHAUST, ASSEMBLY	—	—		
5820	B.202432	Bracket, support	1	DTD.610	C.	JD.4
5821	F.202433	Clip	1	S.3	C.	JD.4
8524	F.216645	Drain extension (Mod. 543)	1	—	C.	JD.4
1870	B.193008	Funnel	1	S.3, T.26 and S.1	C.	JD.4
1871	B.193009	Guide	1	S.3 and T.26	C.	JD.4
1872	F.193010	Spring	1	Spr. Stl.	C.	JD.4
2379	F.193011	Washer, retaining	1	DTD.610	MR/C	JD.4
	B.205113	Fairing, leading edge, for air brake, assembly	1	—		
8528	C.219412	Inner portion (Mod. 543)	1	—	C.	JD.3
5823	D.205110	Outer portion, port	1	—	C.	JD.3
5824	D.205111	Outer portion, starboard	1	—	C.	JD.3
	D.223756	Fin, dorsal, group (Mod. 487)	1	—		JD.1
7666	A.185853	Bracket, front, for charging valve	1	DTD.610	MR/C	JD.5
7667	A.185854	Bracket, rear, for charging valve	1	DTD.610	MR/C	JD.5
711	B.186345	Bracket, clamp, for hydraulic accumulator	1	S.3 and Felt	C.	JD.2
7668	B.204655	Bracket, flying control, group	1	—	MR/B	JD.3
713	F.173109	Bracket, bearing	1	DTD.364	C.	JD.3
	F.183604	Bracket, port	1	DTD.610		
	F.209247	Bracket (Mod. 256)	1	DTD.610		
	B.204690	Bracket, starboard	1	L.72		
	A.204689	Channel	1	L.72		
	F.202691	Plate, reinforcing	2	L.72		
714	F.183607	Shim	1	Laminum	C.	JD.3
26FH/3474	Std.1547/20/12	Washer, profile	4	DTD.610	MR/C	4
715	F.186346	Clamp, for hydraulic accumulator	1	S.3 and Felt	C.	JD.2
	F.186245	Cleat	1	DTD.610		
3738	Std.840/29	Clip, support, for cable duct	1	DTD.610	MR/C	4
	A.207598	Duct, cable (Mod. 256)	1	L.67		
	A.207599	Duct, cable (Mod. 256)	1	L.67		
	C.211484	Former, at frame 46 (Mod. 256)	1	L.72		
	B.183728	Former, at frame 47	1	DTD.610		
	B.211485	Former, at frame 48 (Mod. 256)	1	L.72		
	C.183729	Former, at frame 49	1	DTD.610		
	C.211486	Former, at frame 50 (Mod. 256)	1	L.72		

FUSELAGE—REAR PORTION

Ref. No.	Part No.	Description					No. Off	Material Specification	M.R. Class of Store	Plate No.
		1	2	3	4	5				
	C.204653						1	LA.27		
	F.185858						1	DTD.610		
	B.225947						1	DTD.610		JD.2
2377	F.183736						2	DTD.610	MR/C	JD.2
	C.225946						1	DTD.610		JD.2
7669	B.202689						1	L.72	MR/C	
7670	C.210096						1	L.72	MR/C	
	C.215203						1	L.72		
4728	Std.1231/4						2	S.3	MR/C	4
	Std.1231/7B						3	S.3		
	F.189514						1	DTD.610		
	F.189515						1	DTD.610		
716	B.183735						1	DTD.610	C.	JD.1
717	F.183737						2	DTD.610	C.	JD.1
718	C.188863						1	DTD.610	B.	JD.1
4888	Std.1509/1/012						5	T.4	C.	4
4555	Std.915/A22						5	DTD.610	C.	4
4602	A.200876						1	Perspex	C.	JD.1
9345	B.215202						1	L.72	C.	
7859	A.202690						1	L.72	C.	JD.3
6666	B.210097						1	L.72	C.	JD.3
	B.188907						1	DTD.610		
	B.186243						1	DTD.610		
	C.183733						1	DTD.610		
7671	D.183727/1						1	DTD.610	MR/B	JD.1
	D.223756/2						1	DTD.610		JD.3
6907	D.183727/7						1	DTD.610	MR/C	JD.2
6908	D.183727/8						1	DTD.610	MR/C	JD.2
	A.184750						1	DTD.610		
	A.184751						1	DTD.610		
	A.186197						1	DTD.610		
	A.186198						1	DTD.610		
	A.186199						1	DTD.610		
	A.186200						1	DTD.610		
	A.186201						1	DTD.610		
	A.186202						1	DTD.610		
	A.186203						1	DTD.610		
	A.186204						1	DTD.610		
	A.186205						1	DTD.610		
	D.183727/3						1	DTD.610		
	D.183727/6						1	DTD.610		

FUSELAGE—REAR PORTION

Ref. No.	Part No.	Description	No. Off					Material Specification	M.R. Class of Score	Place No.
			1	2	3	4	5			
		FORMERS, SUB-ASSEMBLIES								
	D.201637	Angle, for attaching hydraulic pipes		2			DTD.610			
313	F.193853	Bracket, mounting of idling links, frame 41		2			DTD.610	C.	JD.2	
282	A.171454	Bracket, mounting of idling links, frame 45		2			DTD.610	C.	JD.2	
	A.169493									
	B.189589	MOUNTING, AND STOWAGE POINTS FOR HYDRAULIC FLEXIBLE COUPLING, ASSEMBLY								
		Platform, mounting		1			DTD.610	C.		
8600	A.189590	Stowage, dummy		1			DTD.364	C.		
6852	F.183903	Stowage, dummy		1			DTD.364	C.		
6853	F.183904									
	F.165986	Packing, at attachment of rudder and elevator levers		10			DTD.610	C.		
6114	F.189335	Plate, nut		1			S.3	MR/C		
6112	F.189187	Plate, nut		1			S.3	MR/C		
	D.201639	Frame 40B, group		1				MR/C		
	B.217277	Box, sealing (Mod.252)		1			S.3			
	F.210765	Bracket, for sealing box (Mod.252)		1			L.72			
4728	Std.1231/4	Lug, locking, for rear transport joint nut		15			S.3	MR/C	4	
719	F.175758	Nut, securing, at transport joint		15			S.98.B	C.	JD.2	
4156	F.200285	Packing, at rear of spigot		15			S.3 or S.1	C.	JD.2	
7686	F.212771	Plate, securing, clip (Mod.366)		3			L.72	MR/C		
721	F.181010	Spigot, at transport joint		1			S.98.B	C.	JD.2	
	D.177649	Frame 52, group		1						
2380	C.177113	Angle, forward, outer		1			DTD.364	MR/C	JD.4	
2381	C.177114	Angle, aft, outer		1			DTD.364	MR/C	JD.4	
2382	B.177115	Angle, forward and aft, inner		2			DTD.364	MR/C	JD.4	
4906	F.197241	Bracket, securing electrical cables		1			DTD.610	MR/C		
	F.195956	Bracket, aft, starboard side only		1			DTD.610			
2383	B.177579	Channel		1			DTD.610	MR/C	JD.4	
2384	B.167060	Fitting, forward, for fin attachment, port		1			Stmpg.	MR/C	JD.4	
2385	B.167061	Fitting, forward, for fin attachment, starboard		1			Stmpg.	MR/C	JD.4	
4211	Std.1687/2	Saddle, securing electrical cables		1			DTD.610	C.	5	
2386	D.177575/1	Web, lower portion, forward		1			DTD.546	MR/C	JD.4	
2387	D.177575/2	Web, lower portion, aft		1			DTD.546	MR/C		
	D.177823	Frame 55, group		1						
	F.189386	Angle, for jet pipe mounting, port		1			DTD.610			
	F.189387	Angle, for jet pipe mounting, starboard		1			DTD.610			
2389	B.177788	Boom, bottom, front		1			DTD.364	MR/C	JD.4	
2388	B.177789	Boom, bottom, rear		1			DTD.364	MR/C	JD.4	
4269	A.177812	Channel, inner boom		1			L.A.	MR/C		
2390	C.177119	Fitting, for rear tail plane and fin attachment		1			Stmpg.	MR/C	JD.2	
2391	A.177870	Plate, joint		2			DTD.610	MR/C	JD.4	
2392	A.187418	Plate, end		2				MR/C	JD.4	
	F.190604	Shim-washer, for jet pipe mounting attachment		2			Laminated Alum.			
	F.190145	Spacer, at jet pipe mounting angle		2			DTD.364			
2393	D.177749/1	Web, rear		2			DTD.546	MR/C		
2394	D.177749/4	Web, front		2			DTD.546		JD.4	
	E.204943	JET PIPE SUPPORT, ASSEMBLY								
	D.187408-9	MOUNTING FOR JET PIPE, ASSEMBLY								
7873	B.216692	Channel, mounting, port (Mod.527)		1			DTD.166	C.	JD.4	
7874	B.216693	Channel, mounting, starboard (Mod.527)		1			DTD.166	C.	JD.4	
722	F.187724	Nut, special		4			S.1	C.	JD.4	

FUSELAGE—REAR PORTION

Ref. No.	Part No.	Description	No. Off	Material Specification	M.R. Class of Store	Plate No.
723	A.187721	Plate, serrated ...	2	S.95.B	C.	JD.4
724	B.187722	Slide, mounting, port ...	2	Stmpg.	C.	JD.4
726	F.187720	Shims, packing ...	QR	DTD.610	C.	JD.4
1606	F.190541	Stud ...	1	S.94.B	C.	JD.4
1607	F.190542	Stud ...	1	S.94.B	C.	JD.4
1608	C.190691	Rail, mounting ...	1	—	C.	JD.4
732	F.189442	Strap, forward, securing rail at frame 55 ...	1	DTD.364	C.	JD.4
731	F.189443	Strap, aft, securing rail at frame 55 ...	1	DTD.364	C.	JD.4
2395	B.184011	Landing, aft, for detachable spine, port ...	1	DTD.610	MR/C	JD.1
2396	B.184012	Landing, aft, for detachable spine, starboard ...	1	DTD.610	MR/C	JD.1
2397	A.184009	Landing, forward, for detachable spine, port, group	1	DTD.610	MR/C	JD.1
2398	A.184010	Landing, forward, for detachable spine, starboard, group	1	DTD.610	MR/C	JD.1
28FP/341	Dzus S5.325	Spring ...	2	—	C.	
751	Std.915A/20	Washer ...	1	DTD.610	C.	4
	D.177846	MOUNTING, FOR TAIL PLANE ACTUATOR, ASSEMBLY	—	—		
26AQ/1295	Std.1553/E50	Bolt, securing pivot fitting ...	8	S.99.B	C.	
7858	A.211760	Fitting, pivot, for actuator (Mod. 365) ...	1	Stmpg.	C.	JD.2
	B.189683	Outlet, bearing cooling pipe, group ...	2	—		
738	F.190000	Pin, retaining ...	1	S.1	C.	JD.4
739	B.189938	Sleeve, outlet ...	1	S.3	C.	JD.4
740	A.174322	Spring ...	1	Steel	C.	JD.4
733	B.185073	Panel, access, for jet pipe coupling fuel connections, thermo-couples and igniter plug, group	4	DTD.610	C.	JD.1
28FP/85	Dzus F.540	Fastener ...	3	—	C.	
734	A.185188	Panel, access, for thermo-couples, group ...	2	DTD.610	C.	JD.1
28FP/85	Dzus F.540	Fastener ...	1	—	C.	
5825	A.205935	Panel, access, for thermo-couples, group ...	2	L.72	C.	JD.3
28FP/85	Dzus F.540	Fastener ...	1	—	C.	
735	A.184848	Panel, access, for jet pipe rear mounting ...	2	DTD.610	C.	JD.1
	B.188783	PICKETING POINT, AT FRAME 52, ASSEMBLY	—	—		
8603	A.188358	Bracket, port ...	1	DTD.610	C.	
8604	A.188359	Bracket, starboard ...	1	DTD.610	C.	
2399	A.180407	Socket, slinging, group ...	1	DTD.364	MR/C	JD.1
737	F.159451	Plug ...	1	DTD.364	C.	JD.1
—	Std.1509/2/152	Tube, distance, 1/4" o/d x 22 S.W.G. x 1-52" long (Make from 30B/555)	2	T.4	—	
—	Std.1509/2/166	Tube, distance, 1/4" o/d x 22 S.W.G. x 1-66" long (Make from 30B/555)	2	T.4	—	
	Std.1547/28/16	Washer, packing ...	4	DTD.610		
	C.185991/2	Plate, doubling, bottom half, at frame 40B ...	1	DTD.610		
	C.188585	Platform, mounting, for selector valve, group ...	1	—		
2400	B.188584	Platform ...	1	DTD.610	MR/C	JD.2
	B.190993	SKID, TAIL, ASSEMBLY	—	—		
6116	B.190993/1	Plug ...	2	Ash	C.	
6088	B.207372	Skid ...	1	L.53	C.	JD.1
29†	C.177231	Spine, detachable, group (Pre-Mod. 346) ...	1	—	B.	JD.1
	B.183742	Stiffener, front, group ...	1	DTD.610		
28FP/341	Dzus S.5.325	Spring ...	2	—	C.	
	C.177231/1	Skin ...	1	DTD.610		

FUSELAGE—REAR PORTION

Ref. No.	Part No.	Description					No. Off.	Material Specification	M.R. Class of Store	Plate No.
		1	2	3	4	5				
6198	C.211697					Spine, detachable, group (Mod. 346)	1	—	B.	
28FP/341	B.183742					Stiffener, front, group	1	DTD.610		
	Dzus S.5.325					Spring	2	—	C.	
7701	C.211697/1					Skin	1	L.72	MR/C	
	D.201634					Structure, side portion, port, group	1	—		
	D.201635					Structure, side portion, starboard, group	1	—		
	A.188174					Beam, for slinging socket, group	2	—		
2401	B.188104					Beam, group	1	—		
	A.188105					Socket, slinging	1	DTD.364	MR/C	JD.2
113	F.180423					Plug, screwed	1	DTD.364	C.	JD.2
5931	B.204353					Bracket, for control valve, port side only ...	2	DTD.610	MR/C	
	C.184956					Landing, for jet pipe coupling and ignition plug access panel, group	4	DTD.610		
28FP/619	Dzus FLA.5.225					Cage	3	—	C.	
	C.184955					Landing, for thermo-couples access panel, group	4	DTD.610		
28FP/619	Dzus FLA.5.225					Cage	1	—	C.	
	D.210760					MOUNTING FOR DE-ICING TANK, MOTOR AND HOUSING, FOR SUPPLY SOCKET, ASSEMBLY, STARBOARD ONLY (Mod. 252)	—	—		
	F.210771					Bracket, fastener	1	—		
	A.210770					Cover	1	—		
5955	C.202325					Plate, reinforcing, for equal tank switch access door, port	1	DTD.610	MR/C	JD.2
5956	C.202326					Plate, reinforcing, for equal tank switch access door, starboard	1	DTD.610	MR/C	JD.2
2404	B.184847					Plate, reinforcing	1	DTD.610	MR/C	JD.2
4211	Std.1687/2					Saddle, for cable clip	3	DTD.610	C.	5
1855	D.202157/1A					Skin, port	1	DTD.610	B.	JD.1
1856	D.202158/1A					Skin, starboard	1	DTD.610	B.	JD.1
	B.191149					VENTILATORS, BETWEEN FRAMES 46 AND 47, ASSEMBLY	—	—		
	A.191150					Plate, reinforcing	2	DTD.610		
2405	A.191151					Louvre	2	L.59	MR/C	JD.1
5957	E.204792					Structure, bottom portion, group	1	—	MR/B	JD.1
5918	F.203982					Angle, attachment, for hinge fitting at frame 46	2	L.72	MR/C	
5919	F.203983					Angle, attachment, for hinge fitting at frame 46	2	L.72	MR/C	
5925	A.204354					Bracket, mounting, for pressure switch ...	1	DTD.610	MR/C	
5908	A.204212					Bracket, mounting, for micro switch, at frame 47	1	L.73	MR/C	
	A.216746					Cover, sealing (AS.770/88)	2	L.72		
8513	F.216608					Drain, extension, at frames 40B, 50, 52 and 55 (Mod. 543)	8	L.65.C	C.	
8771	C.219512					Fitting, hinge, between frames 45 and 46, port	1	L.72 and DTD.166	MR/C	
8772	C.219513					Fitting, hinge, between frames 45 and 46, starboard	1	L.72 and DTD.166	MR/C	
5909	A.203906					Fitting, jack attachment, forward of frame 50	2	Stmpg.	MR/C	JD.3
	A.204798					LEVER, FOR MICRO SWITCH, ASSEMBLY	—	—		
5912	A.204707					Bracket	1	L.72	MR/C	
4949	F.204706					Lever	1	DTD.364	C.	
	F.216745					Plate, sealing (Mod. 543)	1	L.59		
5911	Std.1509/23/029					Tube, distance, $\frac{3}{8}$ " o/d x 17 S.W.G. x 0.29" long (Make from 30B/556)	2	T.4	MR/C	

FUSELAGE—REAR PORTION

Ref. No.	Part No.	Description					No. Off	Material Specification	M.R. Class of Store	Plate No.
		1	2	3	4	5				
8773	D.219450					Member, side, A/B jack attachment beam, port (Mod. 543)	1	—	MR/C	
8774	D.219451					Member, side, A/B jack attachment beam, starboard (Mod. 543)	1	—	MR/C	
5916	F.204971					Packing, for angles at frame 45	2	L.72	MR/C	
5917	F.204170					Packing, for angles at frame 45	2	L.72	MR/C	
4945	B.204064					Panel, access, for jack attachment fitting, port	1	L.72	C.	JD.4
4946	B.204065					Panel, access, for jack attachment fitting, starboard	1	L.72	C.	JD.4
4948	F.204262					Pin, for micro switch striker	1	—	C.	
7758	C.185646/3					Plate, doubling, at frame 52	1	DTD.610	MR/C	
	C.191817					Plug, tele-briefing, assembly	—	—		
1611	Std.323/20N					Bolt, shoulder	2	S.2	C.	JD.3
1609	A.191823					Cover	1	DTD.213	C.	JD.3
1610	B.191822					Door, access	1	DTD.610	C.	JD.3
1612	C.191817/1					Strip, 1/8" thick x 38" wide	1	DTD.560	C.	JD.3
1613	C.191817/2					Strip, 1/8" thick x 38" wide	1	DTD.560	C.	JD.3
1854	E.202159/1A					Skin (Identical to E.204792/1A)	1	DTD.610	B.	JD.1
4947	F.204263					Spring, for micro switch striker	1	Sp. St.	C.	
5910	F.205570					Stop, at jack attachment, forward of frame 50	1	L.72	MR/C	
5915	F.204970					Stop, forward of frame 45	2	L.72	MR/C	
6120	C.186467					Strap, joint, at frame 55	1	DTD.610	MR/C	
4827	Std.1509/23/080					Tube, distance, at attachment angles, frame 45, 1/8" o/d x 17 S.W.G. x 0-8" long (Make from 30B/556)	8	T.4	MR/C	
5924	Std.1509/23/086					Tube, distance, at attachment angle, frame 46, 1/8" o/d x 17 S.W.G. x 0-86" long (Make from 30B/556)	2	T.4	MR/C	
8171	D.215857					Structure, rear extension, group	1	—	MR/A	JD.1
6125	F.190667					Angle, for catch-pin bracket	4	DTD.610	MR/C	
6111	A.190584					Bracket, for lower lever and catch-pin, port and starboard	2	DTD.610	MR/C	JD.2
6115	A.190585					Bracket, for lower lever and catch-pin, port and starboard	2	DTD.610	MR/C	JD.2
1614	F.190589					Bracket, locating spigot on tail cone	4	DTD.364	C.	JD.3
8513	F.216608					Drain, extension (Mod. 545)	2	L.65.C	C.	
4907	King D.5067					Fitting, attachment	4	—	MR/C	JD.3
	D.190473					Frame 56, side portion, port	1	DTD.610		
	D.190474					Frame 56, side portion, starboard	1	DTD.610		
6122	D.190475					Frame 56, bottom portion	1	DTD.610	B.	JD.4
	D.190476					Frame 57, side portion, port	1	DTD.610		
	D.190477					Frame 57, side portion, starboard	1	DTD.610		
6123	D.190478					Frame 57, bottom portion	1	DTD.610	B.	JD.4
	B.190529					Landing, top, locating tail cone	1	DTD.610		
	B.190530					Landing, side, locating tail cone, port	1	DTD.610		
	B.190531					Landing, side, locating tail cone, starboard	1	DTD.610		
6119	B.190532					Landing, bottom, locating tail cone	1	DTD.610	C.	JD.1
6109	King C.3103/H					Lever, and catch-pin	4	—	C.	JD.3
	F.190590					Plate, top joint on frame 56	1	DTD.610		
6117	F.190591					Plate, joint, port and starboard, frame 55	2	DTD.610	MR/C	
6113	F.190592					Plate, joint, port and starboard, frame 57	2	DTD.610	MR/C	
	F.190593					Plate, top joint, frame 57	1	DTD.610		
4211	Std.1687/2					Saddle, on stringer 'G', starboard	1	DTD.610	C.	5
1025	King D.3060/2					Screw, locking	4	—	C.	JD.3
	D.215857/1					Skin, side, port	1	DTD.610		
	D.215857/2					Skin, side, starboard	1	DTD.610		
9819	D.215857/3					Skin, bottom	1	DTD.610	MR/B	JD.1
6118	B.190669					Strap, joint, port and starboard	2	DTD.610	MR/C	JD.2
6124	A.190586					Stringer, forward of frame 56	19	DTD.610	MR/C	JD.2
6110	A.190588					Stringer, between frames 56 and 57	13	DTD.610	C.	JD.2
4555	Std.915/A22					Washer	2	DTD.610	C.	4

FUSELAGE—REAR PORTION

Ref. No.	Part No.	Description					No. Off	Material Specification	M.R. Class of Store	Plate No.
		1	2	3	4	5				
	D.204652	STRUCTURE, BELOW TAILPLANE, ASSEMBLY (Mod. 365)					-	-		
2148	A.85844	Angle	3	DTD.390		
7702	F.186462	Angle, port	1	DTD.610	MR/C	
7703	F.186463	Angle, starboard	1	DTD.610	MR/C	
7704	A.209654	Bracket, bearing, port	1	L.72	MR/C	JD.5
7705	A.209655	Bracket, bearing, starboard	1	L.72	MR/C	JD.5
	A.186440	Bracket	1	DTD.610		
745	B.188224	Bracket, forward for elevator booster unit	1	Stamping	C.	JD.2
744	B.188226	Bracket, rear, for elevator booster unit	1	Stamping	C.	JD.3
4727	A.198686	Bracket, mounting, for terminal block, No. 43	1	DTD.610	MR/C	
7706	F.186244	Cleat	1	DTD.610	MR/C	
	C.209708	Former, at frame 53	1	L.72		
	C.188582	Former, at frame 54	1	DTD.610		
4867	F.199663	Guide, for flexible pipes	1	LFS.21	MR/C	
2414	B.186518	Landing, for access panel to selector valve and elevator power assisted control	1	DTD.610	MR/C	JD.2
2413	B.189167	Landing, port, for access panel to tail plane actuator	1	DTD.610	MR/C	JD.1
2412	C.188288	Landing, starboard, for access panel to tail plane actuator	1	DTD.610	MR/C	JD.3
2415	F.188747	Landing, for access panel to elevator booster unit attachments	2	DTD.610	MR/C	JD.3
	F.214231	Landing, for access panel to elevator spring feel linkage (Mod. 483)	1	L.72		
7707	F.188555	Packing, taper	1	DTD.610	MR/C	
	D.186503/3	Packing, port side of skin, forward of frame 55	1	DTD.610		
	D.186503/4	Packing, port and starboard	2	DTD.610		
	D.186503/5	Packing, port side of skin, forward of frame 52	1	DTD.610		
748	B.186517	Panel, access, to selector valve and elevator power assisted control	1	DTD.610	C.	JD.1
1580	F.188746	Panel, access, to elevator booster unit attachments	2	DTD.610	C.	JD.3
747	A.189166	Panel, port, access to tail plane actuator	1	DTD.610	C.	JD.1
5272	C.207286	Panel, starboard, access to tail plane actuator, group	1	-	C.	JD.3
5273	C.207286/2	Panel, lower sub-assembly (including locking lug) (Mod.192)	1	L.72	C.	JD.3
	C.207286/4	Panel, upper sub-assembly (including landing)	1	-		
717	F.183737	Panel, access to elevator spring feel linkage (Mod. 483)	1	DTD.610	C.	JD.3
	F.186388	Plate, reinforcing	2	DTD.610		
	B.186387	Rib, below tail-plane, between frames 52 and 55	1	DTD.610		
	B.202352	Rib, between frames 51 and 52	1	L.72		
	B.204654	Rib, above tail-plane, between frames 51 and 52	1	L.72		
4211	Std.1687/2	Saddle, for clipping of electrical cables	4	DTD.610	C.	5
1581	F.189937	Shim, for elevator booster brackets	AR	Laminated Alum.	C.	JD.3
1852	D.186503/1	Skin, port	1	DTD.610	B.	JD.1
1853	D.186503/2	Skin, starboard	1	DTD.610	B.	JD.3
	A.189165	Stiffener	1	DTD.610		
	D.186503/6	Strap, starboard	1	DTD.610		
-	Std.1507/2/026	Tube, distance, 1/4" o/d x 22 S.W.G. x .26" long (Make from 30A/965)	4	T.26	-	
-	Std.1507/24/016	Tube, distance, 3/8" o/d x 17 S.W.G. x .16" long (Make from 30A/1469)	4	T.26	-	
3817	Std.1584/30/12	Washer, profile	4	DTD.610	MR/C	4
280	Std.1548/40/12	Washer, profile	4	DTD.610	C.	4
	Std.1549/36/12	Washer, profile	2	DTD.610		

FUSELAGE—REAR PORTION

Ref. No.	Part No.	Description					No. Off	Material Specification	M.R. Class of Store	Plate No.
		1	2	3	4	5				
SUMMARY OF STOCK ITEMS										
28D/12624	A25.7B	Bolt	---	---	---
28D/12512	A25.1.C	Bolt, 2 B.A.	---	---	---
28D/12513	A25.2.C	Bolt, 2 B.A.	---	---	---
28D/12531	A25.3.C	Bolt, 2 B.A.	---	---	---
28D/12532	A25.4.C	Bolt, 2 B.A.	---	---	---
28D/12533	A25.5.C	Bolt, 2 B.A.	---	---	---
28D/12566	A25.6.C	Bolt, 2 B.A.	---	---	---
28D/12537	A25.14C	Bolt	---	---	---
28D/12538	A25.15.C	Bolt, 2 B.A.	---	---	---
28D/12716	A26.16.E	Bolt, 1/4" B.S.F.	---	---	---
28D/8300	AS.1242.1B	Bolt	---	---	---
28D/8306	AS.1242.1C	Bolt, 2 B.A.	---	---	---
28D/8307	AS.1242.2C	Bolt, 2 B.A.	---	---	---
28E/10043	AS.2294/6	Clip	---	---	---
28D/8308	AS.1242/3C	Bolt, 2 B.A.	---	---	---
28E/10045	AS.2294/8	Clip	---	---	---
28D/8323	AS.1242/2E	Bolt, 1/4" B.S.F.	---	---	---
28N/9796	SP.21	Nipple, lubricating	---	---	---
28L/12619	A24.BT	Nut	---	---	---
28M/13274	A24.P.P.	Nut, 7/8" B.S.F.	---	---	---
28M/12929	A27.C.P.	Nut, 2 B.A.	---	---	---
28M/12928	A27.E.P.	Nut, 1/4" B.S.F.	---	---	---
28M/12930	A27.E.S.	Nut, 1/4" B.S.F.	---	---	---
28M/10206	AGS.2001/A1	Nut, 6 B.A.	---	---	---
28M/10288	AGS.2001/C1	Nut, 2 B.A.	---	---	---
28M/11957	AGS.2007/C1	Nut, 2 B.A.	---	---	---
28M/10216	AGS.2008/C1	Nut, 2 B.A.	---	---	---
28M/12421	AGS.2018/C1	Nut, 2 B.A.	---	---	---
28P/5412	AGS.1551/2	Pin, locking	---	---	---
28P/9429528	SP.9.C8	Pin, split	---	---	---
28S/2862	A32.C.16	Screw	---	---	---
28S/2810	A33.A.12	Screw	---	---	---
28S/6611	A37.C.20	Screw	---	---	---
28W/9419475	SP.15.C	Washer, 2 B.A. 1/d	---	---	---
28W/9419405	SP.15.E	Washer, 1/4" i/d	---	---	---
28W/9416642	SP.47B	Washer	---	---	---
28W/9419476	SP.15.G	Washer, 7/8" i/d	---	---	---
28W/9419404	SP.16.C	Washer, 2 B.A. 1/d	---	---	---
28W/9419487	SP.16.E	Washer, 1/4" i/d	---	---	---

FUSELAGE—REAR PORTION

Ref. No.	Part No.	Description					No. Off	Material Specification	M.R. Class of Store	Plate No.
		1	2	3	4	5				

FUSELAGE—AIR BRAKE

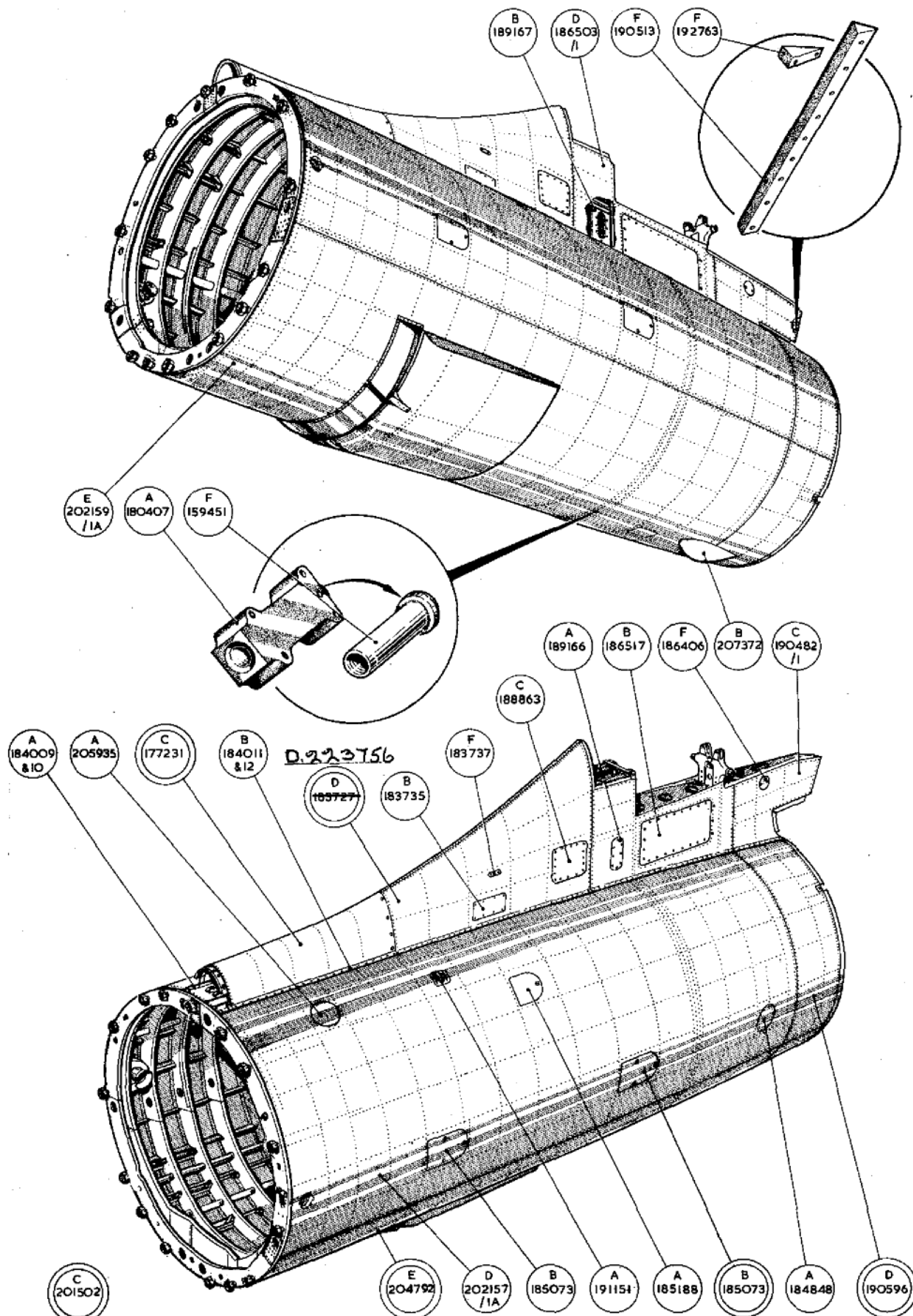
Ref. No.	Part No.	Description	No. Off	Material Specification	M.R. Class of Store	Plate No.
		AIR BRAKE, ASSEMBLY	—	—		
4938	D.204125	Air Brake, group	1	—	A.	JD.5
	E.204400	Anchorage, for jack, group	1	Stmpg.		JD.5
4939	B.204309	Bush	2	E.96.B	C.	JD.5
	F.204324					
4940	Std.1553/G/140	Bolt, securing jack anchorage	1	S.99.B	C.	5
4941	Std.1553/G/180	Bolt, securing jack anchorage	3	S.99.B	C.	5
5970	F.204386	Angle cleat, attaching former No. 1, outer portion port	1	DTD.364	MR/C	
5971	F.204387	Angle cleat, attaching former No. 1, outer portion starboard	1	DTD.364	MR/C	
5972	F.204390	Angle cleat, attaching former No. 1, centre portion, port	1	DTD.364	MR/C	
5973	F.204391	Angle cleat, attaching former No. 1, centre portion, starboard	1	DTD.364	MR/C	
5974	F.204401	Angle cleat, attaching former No. 2, outer portion, port	1	DTD.364	MR/C	
5975	F.204402	Angle cleat, attaching former No. 2, outer portion, starboard	1	DTD.364	MR/C	
5976	B.204357	Channel, centre, front	1	L.72	MR/C	JD.5
5977	B.204358	Channel, centre, rear	1	L.72	MR/C	JD.5
5978	B.204482	Fitting, hinge, port, group	1	Stmpg.	MR/C	JD.5
4943	F.204036	Bush	2	BSS.369	C.	JD.5
5979	B.204483	Fitting, hinge, starboard, group	1	Stmpg.	MR/C	JD.5
4944	F.205200	Bush	2	BSS.369	C.	JD.5
5980	D.204359	Former No. 1, centre portion	1	L.72	MR/C	JD.5
5981	D.204360	Former No. 1, outer portion, port	1	L.72	MR/C	JD.5
5982	D.204361	Former No. 1, outer portion, starboard	1	L.72	MR/C	JD.5
5983	C.204369	Former No. 1A, centre portion, port	1	L.72	MR/C	JD.5
5984	C.204370	Former No. 1A, centre portion, starboard	1	L.72	MR/C	JD.5
5985	D.204362	Former No. 2, centre portion	1	L.72	MR/C	JD.5
5986	D.204363	Former No. 2, outer portion, port	1	L.72	MR/C	JD.5
5987	D.204364	Former No. 2, outer portion, starboard	1	L.72	MR/C	JD.5
5988	B.204371	Rib, nose, centre	1	L.72	MR/C	JD.5
5989	B.204458	Rib, nose, outer, port	1	L.72	MR/C	JD.5
5990	B.204459	Rib, nose, outer, starboard	1	L.72	MR/C	JD.5
5991	C.204365	Rib, hinge, inner, port	1	L.72	MR/C	JD.5
5992	C.204366	Rib, hinge, inner, starboard	1	L.72	MR/C	JD.5
5993	D.204367	Rib, hinge, outer, port	1	L.72	MR/C	JD.5
5994	D.204368	Rib, hinge, outer, starboard	1	L.72	MR/C	JD.5
5996	D.204379	Skin, outer	1	L.72	MR/B	JD.5
5995	D.204378	Skin, inner	1	L.72	MR/B	JD.5
5997	D.204376	Skin, nose, outer, port	1	L.72	MR/B	JD.5
5998	D.204377	Skin, nose, outer, starboard	1	L.72	MR/B	JD.5
5999	D.204374	Skin, nose, inner, port	1	L.72	MR/B	JD.5
6000	D.204375	Skin, nose, inner, starboard	1	L.72	MR/B	JD.5
5826	A.205985	Spring, operating micro switch	1	DTD.187	C.	JD.5
6001	C.204380	Strap, butt, between main and nose skins, port ...	1	L.72	MR/C	JD.5
6002	C.204381	Strap, butt, between main and nose skins, starboard	1	L.72	MR/C	JD.5

FUSELAGE—AIR BRAKE

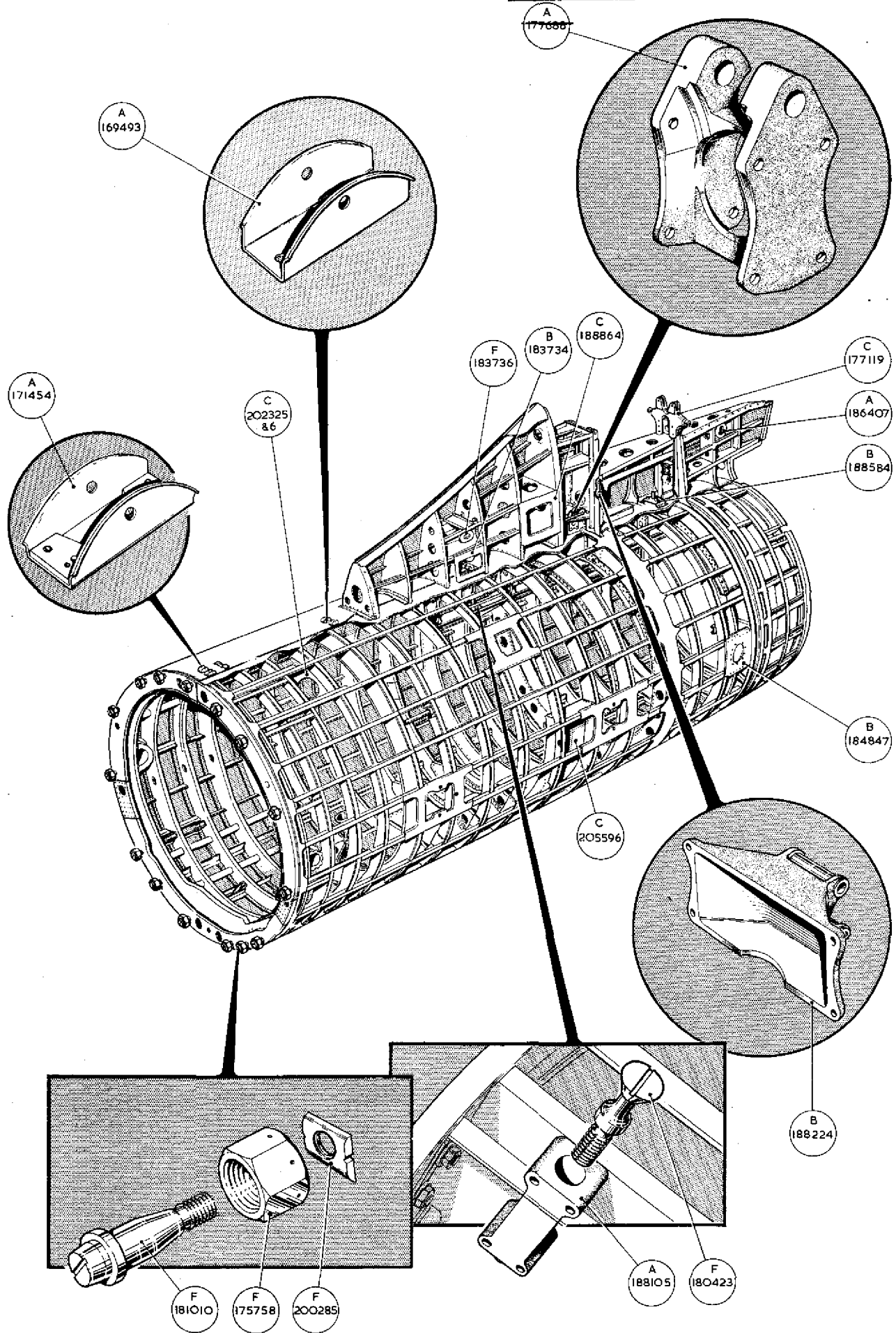
Ref. No.	Part No.	Description					No. Off	Material Specification	M.R. Class of Store	Plate No.
		1	2	3	4	5				
4933	F.204144						1	S.99.B	C.	JD.5
4934	Std.1551/5/135						2	S.99.B	C.	5
4935	Std.1551/8/475						1	S.99.B	C.	5
	Std.1996/8						1	Comm'l Brass		
4936	A.204797						1	S.3	C.	JD.5
27Q/1887	Dowty 086737-AO2						1	—	A.	
4937	Std.1921/QS						2	S.94.B, S.95.B or S.96.B	C.	5

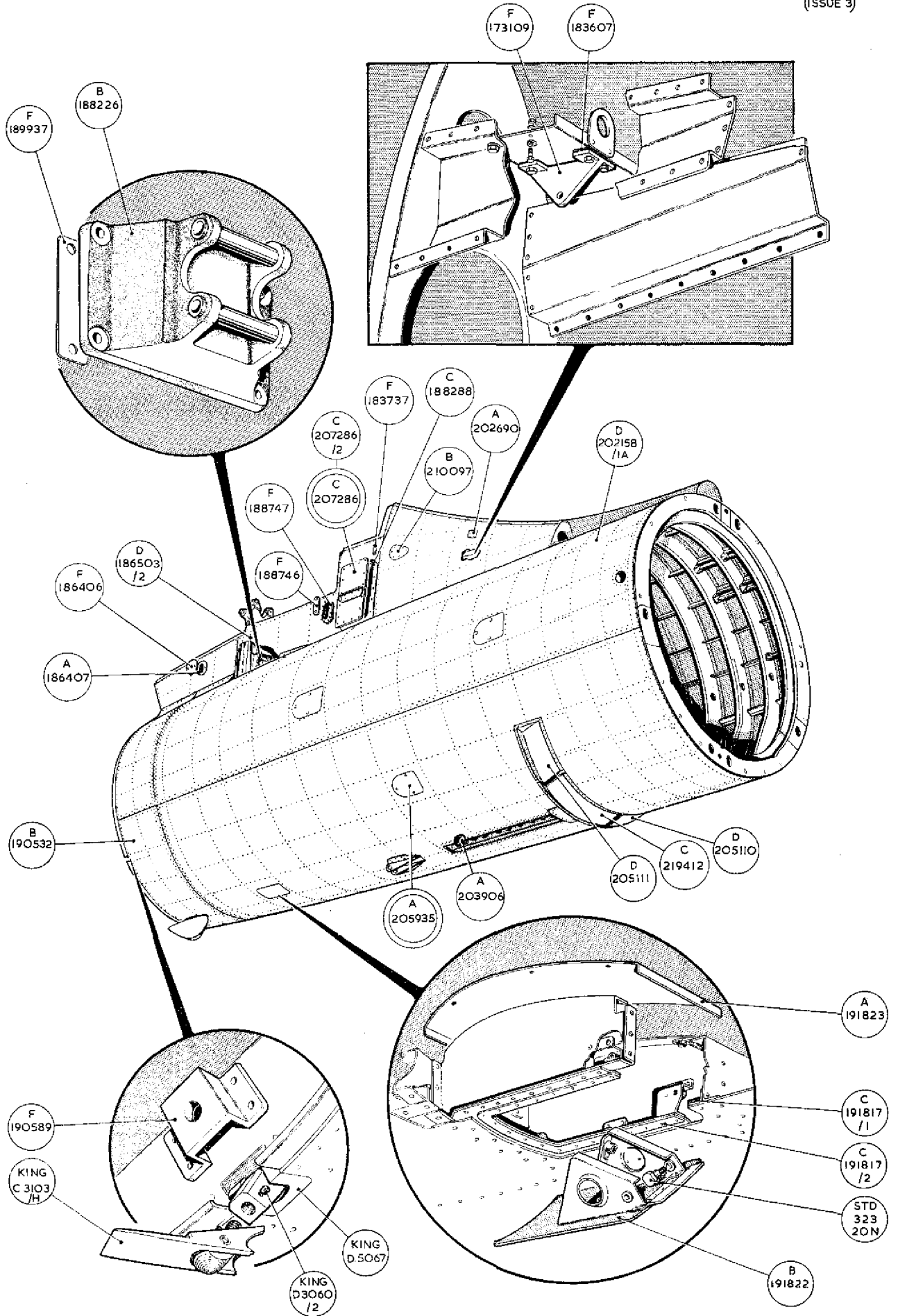
FUSELAGE—AIR BRAKE

Ref. No.	Part No.	Description					No. Off	Material Specification	M.R. Class of Store	Plate No.
		1	2	3	4	5				
SUMMARY OF STOCK ITEMS										
28D/12513	A25.2.C	Bolt,	2	B.A.
28D/12531	A25.3.C	Bolt,	2	B.A.
28D/12532	A25.4.C	Bolt,	2	B.A.
28D/12566	A25.6.C	Bolt,	2	B.A.
28D/12570	A25.11.E	Bolt,	1/2"	B.S.F.
28D/12812	A25.12.E	Bolt,	1/2"	B.S.F.
28D/15068	A57.2.E	Bolt,	1/2"	B.S.F.
28M/12929	A27.C.P	Nut,	2	B.A.
28M/13271	A27.E.P	Nut,	1/2"	B.S.F.
28M/13375	A27.G.P	Nut,	1/8"	B.S.F.
28M/15199	A58.L.S	Nut		
28P/811	SP.4.Y.A1	Pin		
28W/9419474	SP.15.B	Washer		
28W/9419475	SP.15.C	Washer		
28W/9419405	SP.15.E	Washer		
28W/9419476	SP.15.G	Washer		
28W/9419490	SP.16.L	Washer		
28W/9419493	SP.16.Q	Washer		

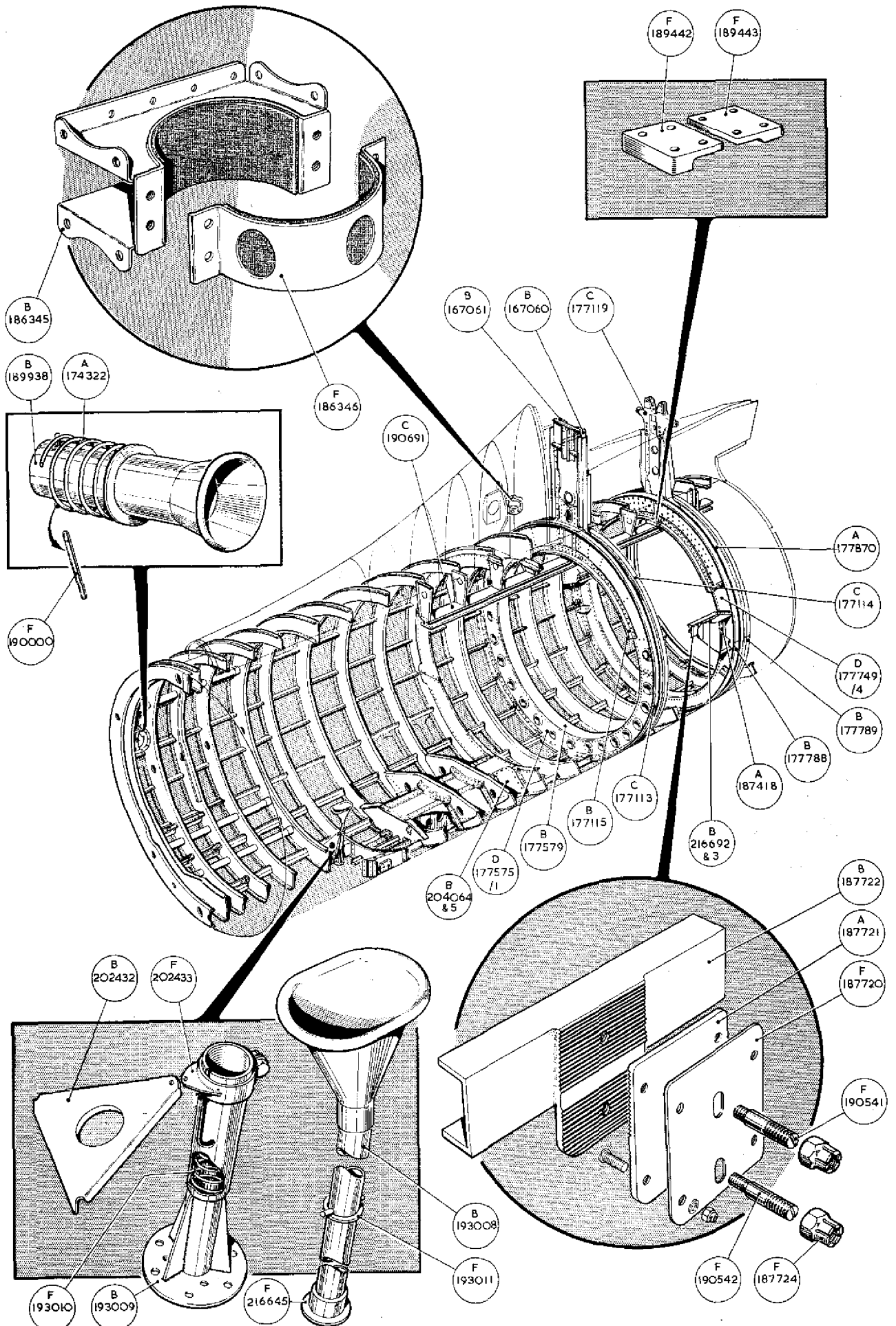


A.211760

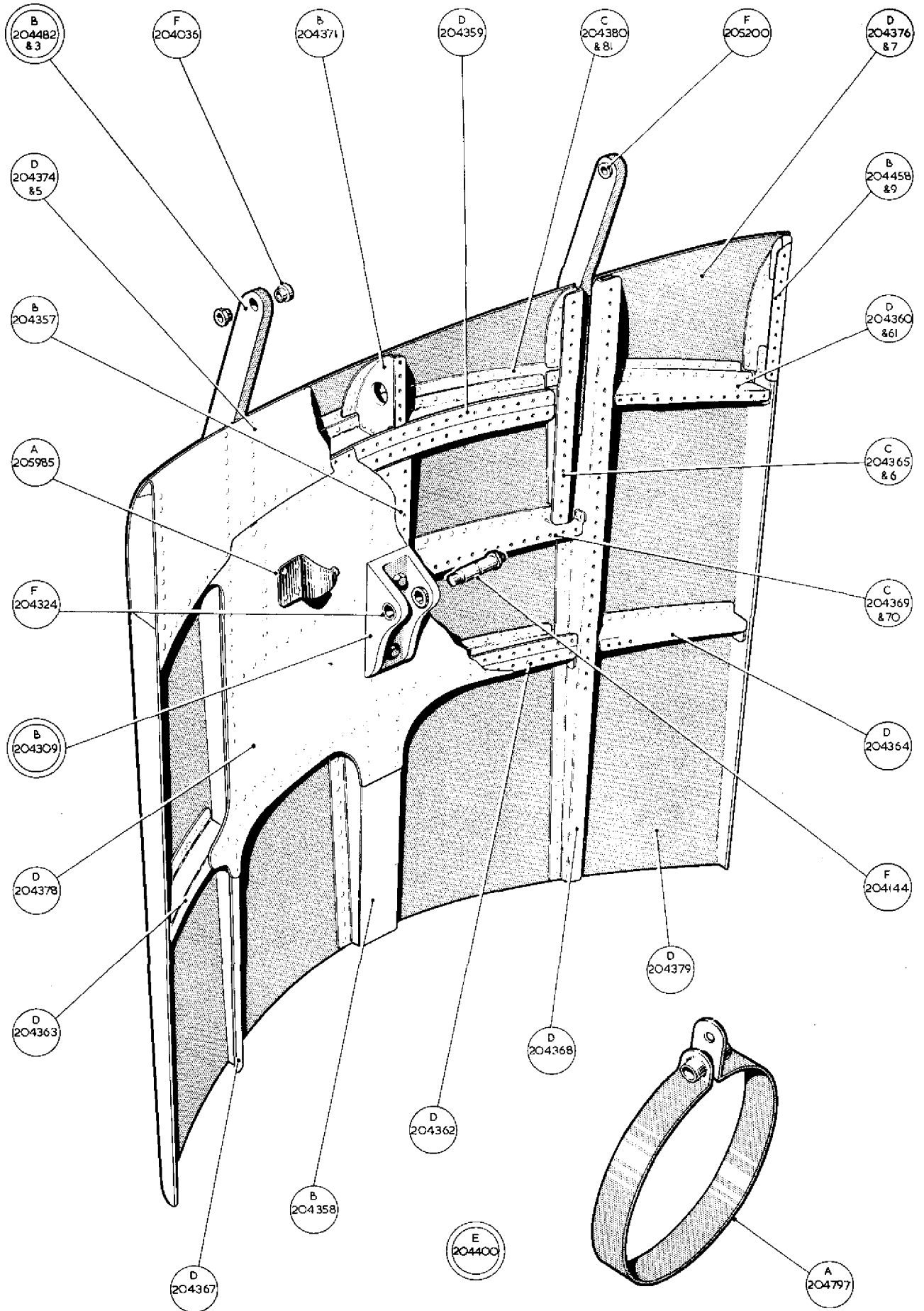




REAR FUSELAGE



REAR FUSELAGE



This file was downloaded
from the RTFM Library.

Link: www.scottbouch.com/rtfm

Please see site for usage terms,
and more aircraft documents.

