

FUSELAGE—HOOD JETTISON GEAR

Ref. No.	Part No.	Description	No. Off	Material Specification	M.R. Class of Store	Plate No.
		HOOD JETTISON GEAR, ASSEMBLY (Mod. 281) ...	—	—		
5275	E.215670	Adaptor, for bell crank lever lubricator ...	1	L.65.C	C.	5
	Std.1954/45	Adaptor, at "T" barrel (Mod. 723) ...	2	S.96.B		
5274	F.229402	Bolt, greaser, for bell crank lever ...	2	S.95	C.	JE.1
	C.200897	Bracket, mounting ...	1	S.3		JE.1
	A.216373	Bracket, pivot (Mod. 281) ...	1	—	MR	
9542	F.220168	Bracket, stop, group (Mod. 604) ...	2	—	C.	JE.1
10049	F.225037	Clip, spring ...	1	Spr. Steel	C.	JE.1
873	F.189282	Bush, spherical ...	4	S.95.B	C.	JE.1
1935	F.196363	Bush, for emergency release cable ...	1	Rubber	C.	JE.1
874	A.189119	Cable, de-seal valve control, group ...	1	—	B.	JE.1
		Consisting of:—				
	Std.1920/1	Adjuster ...	1	DTD.364		5
	Std.1920	Adjuster, complete with sleeve and nut ...	1	—		5
28X/5870	—	Cable, 5 cwt. ...	QR	W.11	C.	
29H/	Bowden T.3	Conduit, Bowdenex T.3 ...	QR	—	C.	
28U/15288	SP.38A	Fork-end ...	2	—	C.	
29H/4110	Bowden PN.23	Nut ...	1	—	C.	
	Std.1920/2	Sleeve ...	1	DTD.364		5
29H/1902	Bowden PN.999	Stop ...	1	—	C.	
875	A.189300	Cable, emergency release, group ...	1	—	B.	JE.1
		Consisting of:—				
28X/5870	—	Cable, 5 cwt. ...	QR	W.11	C.	
29H/4186	Bowden PN.1997	Nipple ...	1	—	C.	
	—	Ring, split key, 1.50" i/d ...	1	Steel		
	A.189300/2	Sleeve, Duratube, yellow, 5 m/m i/d x .45 m/m thick x 4.57" long	1	—		
30B/1006	—	Wire, 26 s.w.g. ...	QR	Copper	C.	
9043	A.216335	Cable, ejection, group (Mod. 281) ...	1	—	B.	JE.1
	Std.1920	Adjuster ...	2	—		
29H/1902	Bowden PN.999	Barrel ...	1	—	C.	
	A.216335/1	Cable, 5 cwt., W.11 (Make from 28X/5870) ...	1	—	—	
	A.216335/2	Conduit, Bowdenex T.3 BWC ...	1	—	—	
	A.224509	Fork-end ...	2	S.I.B		
9044	B.216516	Cable, jettison handle to lever, group (Mod. 281) (Pre Mod. 723)	1	—	B.	
	Std.1920	Adjuster ...	2	—		
29H/1902	Bowden PN.999	Barrel ...	1	—	C.	
	B.216516/1	Cable, 5 cwt., W.11 (Make from 28X/5870) ...	1	—	—	
	B.216516/2	Conduit, Bowdenex T.3 WC ...	2	—		
	A.224509	Fork-end ...	1	S.I.B		
	Std.1998	Lubricator, for Bowdenex control ...	1	—		
	A.230905	Cable, jettison handle to lever, group (Mod. 723) ...	1	—	B.	JE.1
		Consisting of:—				
	Std.1920	Adjuster ...	2	—		
29H/1902	Bowden PN.999	Barrel ...	1	—	C.	
28X/5870	—	Cable, 5 cwt., W.11 ...	1	—	C.	
29H/	—	Conduit, Bowdenex T.3, BWC ...	1	—	C.	
28U/16264	SP.37A	Eye-end ...	1	—	C.	
28U/	SP.36-C5	Tapped-end ...	1	—	C.	
9048	F.218222	Cable, hood jettison (Mod. 281) ...	1	—	C.	

FUSELAGE—HOOD JETTISON GEAR

Ref. No.	Part No.	Description	No. Off	Material Specification	M.R. Class of Store	Plate No.
877	A.189120	Cable, jettison control to release unit, group ...	1	—	B.	JE.1
		Consisting of:—				
	Std.1920/1	Adjuster, stop ...	1	DTD.364		5
	Std.1920	Adjuster, complete with sleeve and nut ...	1	—		5
28X/5870	—	Cable, 5 cwt. ...	QR	W.11	C.	
29H/	Bowden T.3	Conduit, Bowdenex T.3 ...	QR	—	C.	
28N/10084	AS.1276	Eye-end ...	2	—	C.	
29H/4110	Bowden PN.23	Nut ...	1	—	C.	
	Std.1920/2	Sleeve ...	1	—		5
29H/1902	Bowden PN.999	Stop ...	1	—	C.	
6740	F.210559	Cap (Mod. 248) ...	1	S.96.B	C.	JE.1
	Std.2045/16/26	Clip, sleeved ...	2	—		
9664	Std.2045/22/24	Clip, sleeved ...	2	—	C.	
3745	Std.841/17	Clip, support, $\frac{3}{8}$ " wide x 22 s.w.g. x 1-7" long ...	1	DTD.610	C.	4
	F.231116	Clip, securing cable (Mod. 723) ...	1	L.72		
4883	F.201442	Cover, for jettison switch ...	1	S.3	MR/C	JE.1
9045	B.216375	Cover, for levers (Mod. 281) (Pre Mod. 723) ...	1	Plastic	C.	
	B.231232	Cover, for levers (Mod. 723) ...	1	Plastic		JE.1
27L/5019	Martin Baker M.B.C.J.36	Cylinder, hood ...	1	—	B.	
27L/5020	Martin Baker M.B.C.J.37	Cylinder, hood ...	1	—	B.	
4882	F.200921	Guard, pulley ...	1	L.72	MR/C	JE.1
9766	F.231429	Disc (Mod. 723) ...	2	L.72	C.	JE.1
	A.189296	Duct ...	1	T.26		JE.1
	A.218233	Duct, cable (Mod. 281) (Pre Mod. 723) ...	1	—		
	B.228487	Duct (Mod. 723) ...	1	—		
9047	F.218197	Eye-end, for hood jettison cable (Mod. 281) ...	1	S.96.B	C.	
	F.230906	Fork-end (Mod. 723) ...	1	S.94.B		
27L/5021	Martin Baker M.B.C.J.159	Gun, hood, group (Mod. 281) With MB Mod. C.J.16 embodied (Mod. H.706)	1	—	A.	
12K/1261	Martin Baker M.B.C.J.130	Cartridge, No. 2 Mk. 1 ...	1	—	C.	
9148	B.199424	Handle, group ...	1	Stamping	B.	JE.1
9767	F.229452	Buffer (Mod. 723) ...	1	Neoprene	C.	JE.1
10042	F.221968	Label, indicator, port (Mod. 604) ...	1	L.72	C.	
10043	F.221969	Label, indicator, starboard (Mod. 604) ...	1	L.72	C.	
4558	F.199940	Latch ...	1	DTD.610	C.	JE.1
4881	F.199941	Latch (Pre Mod. 723) ...	1	DTD.610	C.	
	F.231629	Latch (Mod. 723) ...	1	L.72		JE.1
9034	A.214841	Lever (Mod. 281) (Alternative to A.217855) ...	1	BS.1648	C.	JE.1
	A.217885	Lever (Mod. 281) (Alternative to A.214841) ...	1	S.94.B		
9041	F.216316	Lever (Mod. 251) ...	1	S.3 & S.92	C.	JE.1
881	A.189124	Lever ...	1	S.80	C.	JE.1
6083	F.192126	Lever ...	2	S.80	C.	JE.1
9046	F.218221	Lever, group (Mod. 281) (Alternative to A.218271) ...	1	—	C.	JE.1
	F.218196	Bracket ...	1	DTD.171		
	F.216326	Lever ...	1	S.95.B		
4042	Std.1509/23/003	Tube, distance $\frac{1}{8}$ " o/d x 17 s.w.g. x 0-30 long	1	T.4	MR/C	4
	A.218271	Lever, group (Mod. 281) (Alternative to F.218221) ...	1	—		
883	F.189280	Link ...	1	S.95.B	C.	JE.1

FUSELAGE—HOOD JETTISON GEAR

Ref. No.	Part No.	Description	No. Off	Material Specification	M.R. Class of Store	Plate No.
9033	F.214646	Link (Mod. 281)	1	DTD.166	C.	JE.1
	A.211755	Nut, strip (Mod. 281) (Alternative to A.217433) ...	2	—		
	A.217433	Nut, strip (Mod. 281) (Alternative to A.211755) ... (For use when tooling hole is in top longeron)	2	—		
	F.211757	Packing (Mod. 281) (Alternative to F.217432) ...	2	L.72		
	F.217432	Packing (Mod. 281) (Alternative to F.211757) ... (For use when tooling hole is in top longeron)	2	L.72		
28FP/4	Aviation Dev. A.407	Pin, pip	1	—	C.	
885	F.189708	Pin	1	S.95.B or S.96.B	C.	JE.1
699	F.187671	Pin	1	S.1	C.	JE.1
9543	F.220189	Pin, special (Mod. 604)	2	S.96.B	C.	JE.1
9544	F.220190	Pin, special (Mod. 604)	2	S.96.B	C.	JE.1
27L/5022	Martin Baker MB.CJ.310	Pipe, tee-piece to gun	1	—	C.	
27L/5023	Martin Baker MB.CJ.311	Pipe, cylinder to tee-piece, port	1	—	C.	
27L/5024	Martin Baker MB.CJ.312	Pipe, cylinder to tee-piece, starboard	1	—	C.	
	F.214644	Pivot (Mod. 281)	1	S.96.B		
6739	A.209223	Plate, catch (Mod. 248)	1	DTD.166	C.	JE.1
886	F.189342/1	Plate, seajing	1	S.3	C.	JE.1
	F.214716	Plate, stop (Mod. 281)	1	DTD.124		
	F.228481	Pulley, for jettison cable (Mod. 723)	1	—		JE.1
887	A.189278	Rod, connecting	1	—	C.	JE.1
9036	A.214527	Rod, connecting, telescopic, group (Mod. 281) ...	2	—	C.	JE.1
	F.189276	Eye-end	1	S.95.B		
	F.214530	Cap	1	S.96.5B		
9037	F.214532	Spring	1	Spr. Steel	C.	
9038	A.214573	Rod, connecting, group (Mod. 281)	2	—	C.	JE.1
	F.189273	Eye-end	1	S.95.B		
6632	A.213160	Rod, connecting, group (Mod. 403)	1	—	B.	JE.1
6210	F.212690	Bellows	1	Rubber	C.	JE.1
892	F.189342	Support	1	T.26 or S.3	C.	JE.1
9039	B.214571	Rod, connecting, group (Mod. 281)	2	—	C.	JE.1
	F.216183	Fork-end	1	S.96.B		
9035	F.211758	Seal, at hood cylinder	2	Hidubene No. 21	C.	JE.1
9040	F.215801	Seal, at hood cylinder (Pre-Mod. 723)	2	Ruber	C.	JE.1
893	F.189299	Shackle	1	S.1	C.	JE.1
	A.199943	Shaft, cable anchorage (Pre-Mod. 723)	1	DTD.364		JE.1
	A.228722	Shaft, cable anchorage (Mod. 723)	1	L.65.C		JE.1
9042	A.216324	Spindle (Mod. 281)	1	S.95.B	C.	JE.1
4559	F.199942	Spring	1	Steel	C.	JE.1
895	F.189297	Spring	1	—	C.	JE.1
9506	F.220178	Stop, at hood lock connection, group (Mod. 604) ...	2	—	C.	JE.1
10049	F.225037	Clip	1	Sp. St.	C.	JE.1
27L/5013	Martin Baker T.476.S	Tee-piece	1	—	C.	

FUSELAGE—HOOD JETTISON GEAR

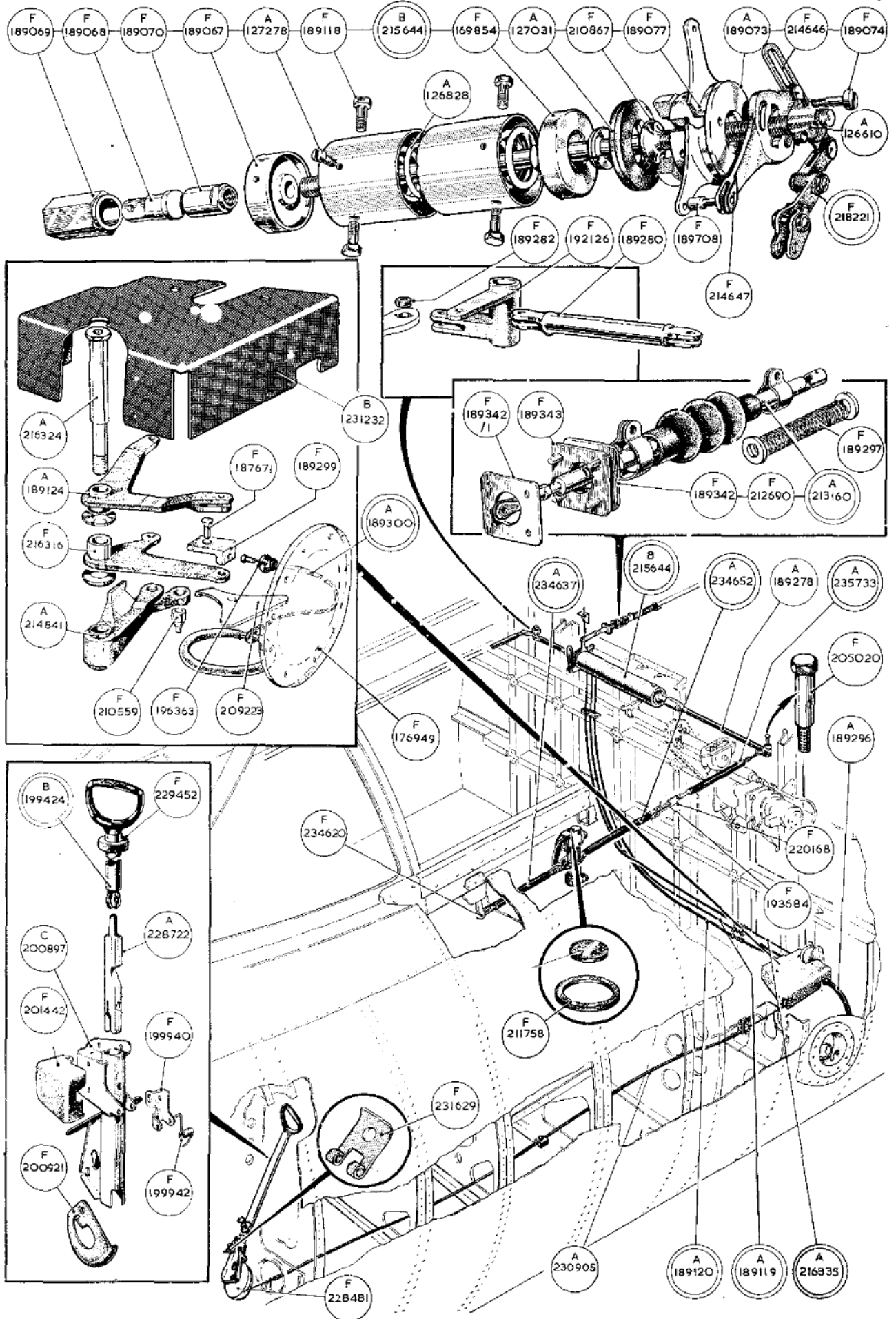
Ref. No.	Part No.	Description					No. Off	Material Specification	M.R. Class of Store	Plate No.
		1	2	3	4	5				
5768	Std.1507/26/044	Tube, distance, $\frac{1}{2}$ " o/d x 17 s.w.g. x 0-44" long	1	T.26	MR/C	4	
	Std.1509/12/016	Tube, distance, $\frac{3}{8}$ " o/d x 20 s.w.g. x 0-16" long	2	T.4		4	
	Std.1509/23/148	Tube, distance, $\frac{5}{8}$ " o/d x 17 s.w.g. x 1-48" long	2	T.4		4	
9031	B.215644	Unit, release, group (Mod.281)	1	—	B.	JE.1	
2A/9500491	B.S.I. SFE $\frac{1}{8}$ "	Bearing	1	—	B.		
879	F.189118	Bolt, special	3	S.95.B	C.	JE.1	
	F.211177	Bolt, special (Mod.281)	1	S.96			
898	A.127278	Bolt, special	4	S.1	C.	JE.1	
899	F.189074	Bolt	2	S.95.B	C.	JE.1	
	A.189071	Casing	1	—			
900	F.189069	Coupling	2	S.95.B	C.	JE.1	
901	F.189068	Eye-end	2	S.95.B	C.	JE.1	
9032	F.214647	Lever (Mod.281)	1	BSI.648	C.	JE.1	
903	F.189077	Lever	1	S.80	C.	JE.1	
904	A.126610	Nut, special	1	S.20	C.	JE.1	
	A.127030	Packing	1	L.1			
905	A.189073	Plug	1	S.1	C.	JE.1	
906	F.189067	Plug	1	DTD.364	C.	JE.1	
907	F.169854	Plunger	1	DTD.364	C.	JE.1	
8182	F.210867	Rod (Mod. 355)	1	S.95.B	C.	JE.1	
909	F.189070	Sieve	2	S.1	C.	JE.1	
	A.126828	Spring	1	DTD.239			
910	A.127031	Washer	2	Rubber	C.	JE.1	
	Std.915.E6	Washer (Mod.281)	1	DTD.610		4	
911	F.189343	Washer, sealing	1	Rubber	C.	JE.1	
1570	Std.914/B/24	Washer, special, 4 B.A.	1	S.1 or S.3	C.	4	
3763	Std.915/B/24	Washer, special, 4 B.A.	4	DTD.364	C.	4	
2147	Std.915/C/20	Washer, special	4	DTD.364	C.	4	
3765	Std.915/C/24	Washer, special, 2 B.A.	7	DTD.364	C.	4	
	Std.915/E/6	Washer, special	1	DTD.634		4	
912	Std.915.U12	Washer, at pivot	2	—			
	F.176949	Window	1	Perspex	C.	JE.1	

FUSELAGE—HOOD JETTISON GEAR

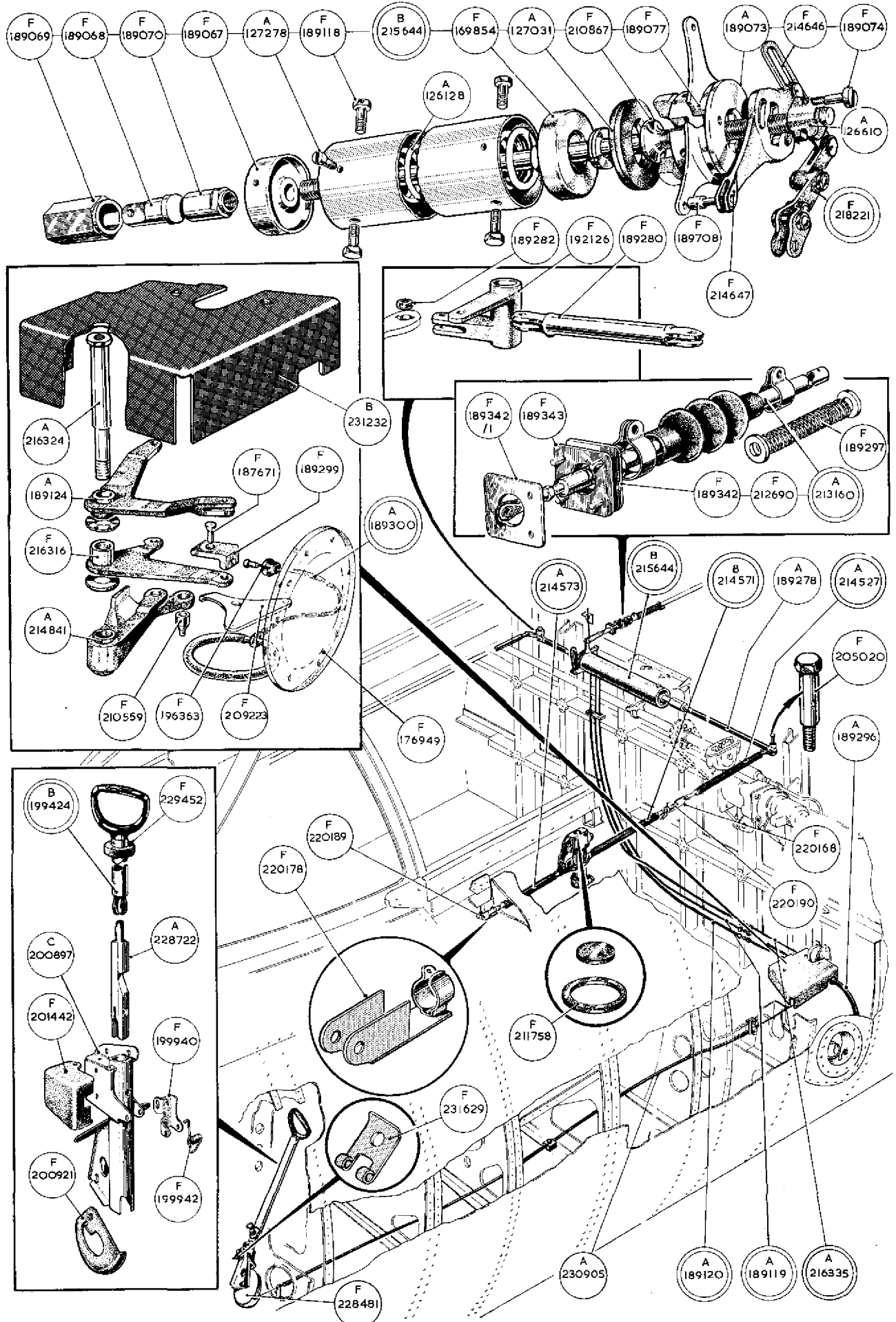
Ref. No.	Part No.	Description	No. Off	Material Specification	M.R. Class of Store	Plate No.
SUMMARY OF STOCK ITEMS						
28D/12528	A25.1.B	Bolt, 4 B.A.	—	—	—	—
28D/12511	A25.2.B	Bolt, 4 B.A.	—	—	—	—
28D/12512	A25.1.C	Bolt, 2 B.A.	—	—	—	—
28D/12513	A25.2.C	Bolt, 2 B.A.	—	—	—	—
28D/12532	A25.4.C	Bolt, 2 B.A.	—	—	—	—
28D/12517	A25.17.C	Bolt, 2 B.A.	—	—	—	—
28D/12540	A25.18.C	Bolt, 2 B.A.	—	—	—	—
28D/13447	A25.21.C	Bolt, 2 B.A.	—	—	—	—
28D/12994	A25.8.J	Bolt, 1/2" B.S.F.	—	—	—	—
28D/8306	AS.1242/1C	Bolt, 2 B.A.	—	—	—	—
28D/8309	AS.1242/4C	Bolt, 2 B.A.	—	—	—	—
28D/8331	AS.1242/13E	Bolt, 1/2" B.S.F.	—	—	—	—
28D/8333	AS.1242/16E	Bolt, 1/2" B.S.F.	—	—	—	—
28D/10764	AS.1248/1B	Bolt, 4 B.A.	—	—	—	—
28D/9744	AS.1248/2B	Bolt, 4 B.A.	—	—	—	—
28D/13789	AS.2920/1B	Bolt, 4 B.A.	—	—	—	—
28E/8182	AGS.605/0	Clip	—	—	—	—
28E/10154	AGS.605/00	Clip	—	—	—	—
28U/16264	SP.37A	Eye-end	—	—	—	—
28K/549	SP.3Y.412	Fork-end	—	—	—	—
28L/13140	A27.BT	Nut, 4 B.A.	—	—	—	—
28M/13121	A27.CS	Nut, 2 B.A.	—	—	—	—
28L/13124	A27.CT	Nut, 2 B.A.	—	—	—	—
28M/12930	A27.ES	Nut, 1/2" B.S.F.	—	—	—	—
28M/13123	A27.JS	Nut, 3/8" B.S.F.	—	—	—	—
28M/14877	A58.GT	Nut, 1/8" B.S.F.	—	—	—	—
28M/10287	AGS.2001.B1	Nut, 4 B.A.	—	—	—	—
28M/10288	AGS.2001.C1	Nut, 2 B.A.	—	—	—	—
28M/10290	AGS.2001.E1	Nut, 1/2" B.S.F.	—	—	—	—
28M/10327	AGS.2002.B1	Nut, 4 B.A.	—	—	—	—
28M/10328	AGS.2002.C1	Nut, 2 B.A.	—	—	—	—
28M/10330	AGS.2002.E1	Nut, 1/2" B.S.F.	—	—	—	—
28M/10331	AGS.2002.G1	Nut, 1/8" B.S.F.	—	—	—	—
28N/9796	SP.21	Nipple, lubricating	—	—	—	—
28P/812	SP4.Y.A2	Pin	—	—	—	—
28P/816	SP4.Y.A6	Pin	—	—	—	—
28P/824	SP4.Y.A14	Pin	—	—	—	—
28P/828	SP4.Y.B2	Pin	—	—	—	—
28P/829	SP4.Y.B3	Pin	—	—	—	—
28P/831	SP4.Y.B5	Pin	—	—	—	—
28P/834	SP4.Y.B8	Pin	—	—	—	—
28P/5960	SP.4Z.D9	Pin	—	—	—	—
28P/835	SP4.Y.B9	Pin	—	—	—	—
28R/13515	AS.104	Pulley, 3" dia.	—	—	—	—
28S/2773	A31.B.20	Screw, 4 B.A.	—	—	—	—
28S/14546	A31.C14	Screw, 2 B.A.	—	—	—	—
28S/2863	A32.B16	Screw, 4 B.A.	—	—	—	—

FUSELAGE—HOOD JETTISON GEAR

Ref. No.	Part No.	Description					No. Off	Material Specification	M.R. Class of Store	Place No.										
		1	2	3	4	5														
28W/3098	AGS.162C	Washer,	2	B.A.
28W/9419401	SP.10B	Washer,	4	B.A.
28W/9419454	SP.10C	Washer,	2	B.A.
28W/14621	SP.11E	Washer,	2	dia.
28W/9419456	SP.10.J	Washer,	2	dia.
28W/9418921	SP.13.E	Washer,	2	dia.
28W/9419474	SP.15.B	Washer,	4	B.A.
28W/9419475	SP.15.C	Washer,	2	B.A.
28W/9419405	SP.15.E	Washer,	2	dia.
28W/9419476	SP.15.G	Washer,	2	dia.
28W/9419404	SP.16.C	Washer,	2	B.A.
28W/9419487	SP.16.E	Washer,	2	dia.
28W/9419489	SP.16.J	Washer,	2	dia.



HOOD JETTISON GEAR



HOOD JETTISON GEAR



This file was downloaded
from the RTFM Library.

Link: www.scottbouch.com/rtfm

Please see site for usage terms,
and more aircraft documents.