

FUSELAGE—HOOD WINDING GEAR

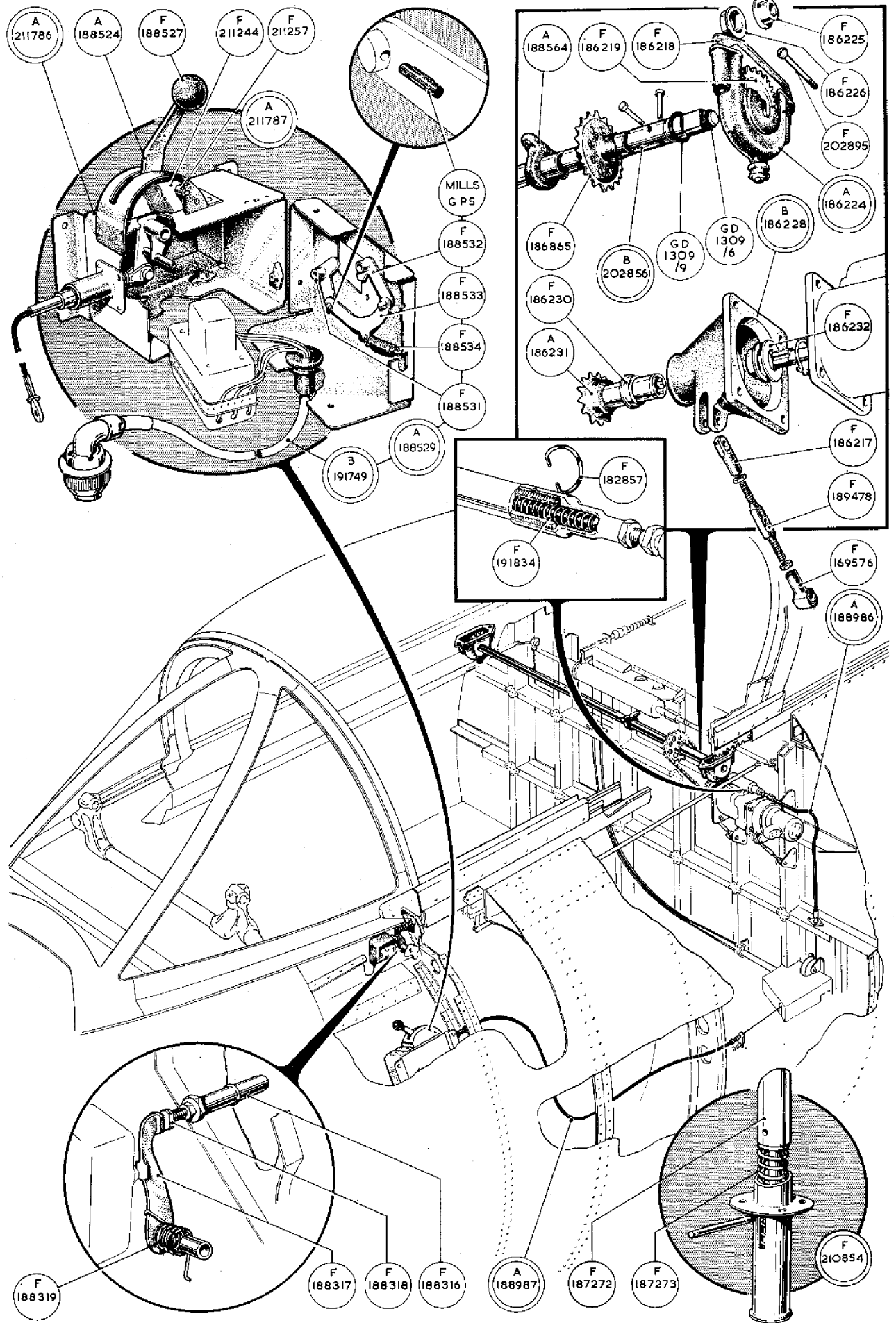
Ref. No.	Part No.	Description	No. Off					Material Specification	M.R. Class of Store	Place No.
			1	2	3	4	5			
	D.187117	HOOD WINDING GEAR, ASSEMBLY ... ..								
	D.186215	ACTUATOR AND CROSS SHAFT, ASSEMBLY ... ..								
	B.186227	Actuator, group ... ..				1				
5W/309	Rotax C.5209/1	Actuator, rotary ... ..				1		A.		
560	B.186228	Housing, group ... ..				1		B.	JF.1	
2A/	TorringtonB.1012	Bearing, needle roller ... ..				1		B.		
561	F.186230	Bush ... ..				2	BSS.369	C.	JF.1	
	A.186231	Sprocket ... ..				1	S.95.B	C.	JF.1	
563	F.186232	Washer, sprocket retaining ... ..				1	S.3	C.	JF.1	
5256	F.202895	Bolt, for cross shaft pinion housing ... ..				4	S.95.B	C.	JF.1	
27KB/161	AS.924/48P	Chain ... ..				1		C.		
567	F.169576	Eye-end, tension rod ... ..				2	S.1	C.	JF.1	
568	F.186217	Eye-end, tension rod ... ..				2	S.1	C.	JF.1	
569	A.186224	Housing, cross shaft pinion, group ... ..				2		C.	JF.1	
570	F.186225	Bearing ... ..				1	BSS.369	C.	JF.1	
571	F.186226	Bearing ... ..				1	BSS.369	C.	JF.1	
573	F.186219	Pinion, cross shaft ... ..				2	S.95.B	C.	JF.1	
1503	F.189478	Rod, tension, for actuator ... ..				2	S.95.B	C.	JF.1	
575	F.186218	Shim, cross shaft housing ... ..				QR	L.2	C.	JF.1	
5252	B.202856	Shaft, cross, group ... ..				1		B.	JF.1	
564	F.188564	Block, bearing ... ..				1	Stamping	C.	JF.1	
4001	Std.1292/9C	Bolt, attaching plug end ... ..				2	S.2	MR/C	4	
565	Std.1292/8C	Bolt, attaching plug end ... ..				2	S.2	C.	4	
1564	Std.1292/10C	Bolt, attaching sprocket ... ..				2	S.2	C.	4	
5254	Dowty	Seal, "O" ... ..				2		C.	JF.1	
	GD.1309/6									
5255	Dowty	Seal, "O" ... ..				2		C.	JF.1	
	GD.1309/9									
577	F.186865	Sprocket ... ..				1	S.95.B	C.	JF.1	
3808	Std.1509/23/040	Tube, distance, 1/8" o/d x 17 S.W.G. x 0-40" long				1	T.4	MR/C	4	
2192	Std.915/C/14	Washer, 2 B.A. ... ..				2	DTD.610	C.	4	
4117	Std.1283/G	Washer, shim ... ..				3	Laminum	C.	4	
578	Std.1547/50/12	Washer, profile ... ..				2	DTD.610	C.	4	
6203	A.211787	Box, control, group (Mod. 376) ... ..				1		B.	JF.1	
6204	A.211786	Box, actuator control, group (Mod. 376) ... ..				1		B.	JF.1	
	A.211785	Gate, group (Mod. 376) ... ..				1				
6206	F.211257	Piece, distance ... ..				2	L.65.C	C.	JF.1	
6205	F.211244	Spring, leaf ... ..				1	DTD.166	C.	JF.1	
555	F.188527	Knob, lever ... ..				1	BSS.771	C.	JF.1	
554	A.188524	Lever ... ..				1	S.3	C.	JF.1	
559	A.188987	Cable, control box to bell crank lever, group ... ..				1		B.	JF.1	
		Consisting of:—								
	Std.1920	Adjuster, complete with sleeve and nut ... ..				1			5	
28X/5870	—	Cable, 5 cwt. ... ..				QR	W.11	C.		
29H/	Bowden T.3	Conduit ... ..				QR		C.		
28U/16264	SP.37.A	Eye-end ... ..				1		C.		
28U/15288	SP.38.A	Fork-end ... ..				1		C.		

FUSELAGE—HOOD WINDING GEAR

Ref. No.	Part No.	Description					No. Off	Material Specification	M.R. Class of Store	Plate No.
		1	2	3	4	5				
5K/2911	SP.40.B.14					Grommet ... ..	2	—	C.	
	F.178859					Plug ... ..	1	DTD.364		
29H/1902	Bowden PN.999					Stop ... ..	1	—	C.	
585	A.188529					Switch, hood actuator, group ... ..	1	—	A.	JF.1
2374	B.191749					Cable, F.40, group (See Cable Chart) ... ..	1	—	MR/B	JF.1
586	F.188532					Lever ... ..	1	S.80	C.	JF.1
587	F.188531					Lever ... ..	1	S.80	C.	JF.1
588	F.188533					Link ... ..	1	S.3	C.	JF.1
589	Mills					Pin, grooved, GP.5, 1/8" dia. x 3/8" long ... ..	2	M.S.	C.	JF.1
5F/	Hellerman					Sleeve, P.V.C., -6" long ... ..	1	1738	C.	
	P.9 Grey							Type B		
590	F.188534					Spring ... ..	1	Spt. St.	C.	JF.1
5CW/5828	—					Switch ... ..	1	—	B.	
5CW/4331	—					Transfer, "Open" ... ..	1	—	C.	
5CW/4332	—					Transfer, "Shut" ... ..	1	—	C.	
	Std.1509/12/052					Tube, distance, 1/4" o/d x 20 S.W.G. x .52" long (Make from 30B/554)	4	T.4		
556	A.188986					Cable, bell crank lever to actuator, group ... ..	1	—	B.	JF.1
	Std.1920					Consisting of:—				
	Adjuster, complete with sleeve and nut ... ..					2	—			5
28X/5870	—					Cable, 5 cwt. ... ..	QR	W.11	C.	
29H/	Bowden T.3					Conduit ... ..	QR	—	C.	
28N/9943	SP.38.A					Fork-end ... ..	1	—	C.	
557	F.171912					Nipple ... ..	1	BSS.250	C.	
28L/12931	A27.ET					Nut, 1/4" B.S.F. ... ..	1	—	C.	
	F.172899					Pin, taper ... ..	1	M.S.		
	F.189131					Plate, stop ... ..	1	DTD.610		
1563	F.191834					Spring ... ..	1	Sp. St.	C.	JF.1
	F.190950					Stop ... ..	1	DTD.364		
	F.214243					Cover, pulley at frame 14 ... ..	1	—		
	F.214244					Cover, pulley at frame 14 ... ..	1	—		
579	F.188317					Lever, front limit switch ... ..	1	S.80	C.	JF.1
580	F.188316					Plunger, front limit switch ... ..	1	S.1	C.	JF.1
6207	F.210854					Plunger, rear limit switch, group (Mod.377) ... ..	1	—	C.	JF.1
	F.187272					Plunger ... ..	1	S.80.B		JF.1
	F.187273					Spring ... ..	1	Sp. St.		JF.1
582	F.182857					Ring, "D", cable locking at actuator ... ..	1	Spt. St.	C.	JF.1
583	F.188318					Screw, front limit switch ... ..	1	S.95.B	C.	JF.1
584	F.188319					Spring, torsion, front limit switch ... ..	1	Spt. St.	C.	JF.1
3784	Std.1507/4/036					Tube, distance, 3/8" o/d x 22 S.W.G. x .36" long (Make from 30A/974)	1	T.25	MR/C	4

FUSELAGE—HOOD WINDING GEAR

Ref. No.	Part No.	Description					No. Off	Material Specification	M.R. Class of Store	Plate No.
		1	2	3	4	5				
<b>SUMMARY OF STOCK ITEMS</b>										
28D/12528	A25.1B	Bolt, 4	B.A.	...	...	...	...	...	—	—
28D/11540	AS.1246/2B	Bolt, 4	B.A.	...	...	...	...	...	—	—
28D/12948	AS.1246/3B	Bolt, 4	B.A.	...	...	...	...	...	—	—
28D/12137	AS.1246/4B	Bolt, 4	B.A.	...	...	...	...	...	—	—
28D/8311	AS.1242/7C	Bolt, 2	B.A.	...	...	...	...	...	—	—
28D/12531	A25.3C	Bolt, 2	B.A.	...	...	...	...	...	—	—
28D/12533	A25.5C	Bolt, 2	B.A.	...	...	...	...	...	—	—
28D/12566	A25.6C	Bolt, 2	B.A.	...	...	...	...	...	—	—
28D/12514	A25.7C	Bolt, 2	B.A.	...	...	...	...	...	—	—
28D/8300	AS.1242.1B	Bolt, 4	B.A.	...	...	...	...	...	—	—
28D/8509	AS.1242/13C	Bolt, 2	B.A.	...	...	...	...	...	—	—
28D/12520	A25.4E	Bolt, 1/4"	B.S.F.	...	...	...	...	...	—	—
28D/12633	A25.7E	Bolt, 1/4"	B.S.F.	...	...	...	...	...	—	—
28N/13091	AGS.2031/6	Circlip	...	...	...	...	...	...	—	—
28M/13288	A27.AP	Nut, 6	B.A.	...	...	...	...	...	—	—
28M/12929	A27.CP	Nut, 2	B.A.	...	...	...	...	...	—	—
28L/13124	A27.CT	Nut, 2	B.A.	...	...	...	...	...	—	—
28L/12931	A17.ET	Nut, 1/4"	B.S.F.	...	...	...	...	...	—	—
28L/13454	A27.ETL	Nut, 1/4"	B.S.F.	...	...	...	...	...	—	—
28M/13935	A58.ES	Nut, 1/4"	B.S.F.	...	...	...	...	...	—	—
28M/10287	AGS.2001/B1	Nut, 4	B.A.	...	...	...	...	...	—	—
28M/10288	AGS.2001/C1	Nut, 2	B.A.	...	...	...	...	...	—	—
28M/10327	AGS.2002.B1	Nut, 4	B.A.	...	...	...	...	...	—	—
28M/10290	AGS.2001/E1	Nut, 1/4"	B.S.F.	...	...	...	...	...	—	—
28M/10330	AGS.2002/E1	Nut, 1/4"	B.S.F.	...	...	...	...	...	—	—
28P/12587	SP9.C4	Pin, split	...	...	...	...	...	...	—	—
28P/12431	SP9.C6	Pin, split	...	...	...	...	...	...	—	—
28P/812	SP4.Y.A2	Pin	...	...	...	...	...	...	—	—
28R/13502	AS.111	Pulley	...	...	...	...	...	...	—	—
28S/2828	A33.A24	Screw, 6	B.A.	...	...	...	...	...	—	—
28S/2761	A31.B.12	Screw, 4	B.A.	...	...	...	...	...	—	—
28S/1857	A32.B.12	Screw, 4	B.A.	...	...	...	...	...	—	—
28W/9419401	SP.10B	Washer, 4	B.A.	...	...	...	...	...	—	—
28W/9419454	SP.10.C	Washer, 2	B.A.	...	...	...	...	...	—	—
28W/9419474	SP.15.B	Washer, 4	B.A.	...	...	...	...	...	—	—
28W/9419475	SP.15.C	Washer, 2	B.A.	...	...	...	...	...	—	—
28W/9419405	SP.15.E	Washer, 1/4"	dia.	...	...	...	...	...	—	—
28W/9419476	SP.15.G	Washer, 1/8"	dia.	...	...	...	...	...	—	—
28W/9419404	SP.16.C	Washer, 2	B.A.	...	...	...	...	...	—	—
28W/9419487	SP.16E	Washer, 1/4"	dia.	...	...	...	...	...	—	—



This file was downloaded  
from the RTFM Library.  
Link: [www.scottbouch.com/rtfm](http://www.scottbouch.com/rtfm)  
Please see site for usage terms,  
and more aircraft documents.

